



WÜRTH LOUIS AND COMPANY

KNAPE &  
VOGT

CATALOG



DRAWER SLIDES

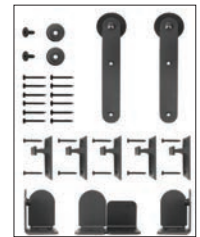
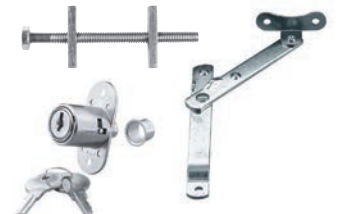


STANDARDS & BRACKETS



KNAPE & VOGT

KITCHEN CONVENIENCE ACCESSORIES

**TABLE OF CONTENTS****3-16****Drawer Slides****38****Shelf Supports****17-20****Pocket Door Slides****39****Barn Door Hardware****21-30****Standards & Brackets****40-42****Sliding Door Hardware****31-33****Pilasters****43-46****Kitchen Convenience****34****Shelf Brackets****47****Specialty Hardware****35-37****Closet Hardware**

## SAMET UNDERMOUNT DRAWER SLIDES



### Samet Full Extension Undermount Smart Slides w/Soft-Close

- Soft close system with adaptive damping
- Full extension with synchronization travel
- 1/2" (12mm) to 5/8" (16mm) drawer thickness
- 2D (4-way) adjustable front locking devices
- Height adjustment: +/- 3/32" (2mm)
- Side-to-side adjustment: +/- 1/16" (1.5mm)
- Exceeds ANSI/BHMA A156.9-2010 technical specifications



Item #	Description	Box Qty
KVSUNDM-09B	9" Length, Smart Slide Full Fit Power Soft-Close	6
KVSUNDM-12B	12" Length, Smart Slide Full Fit Power Soft-Close	6
KVSUNDM-15B	15" Length, Smart Slide Full Fit Power Soft-Close	6
KVSUNDM-18B	18" Length, Smart Slide Full Fit Power Soft-Close	6
KVSUNDM-21B	21" Length, Smart Slide Full Fit Power Soft-Close	6



### Samet Smart Front Locking Devices

- 2D (4-Way) Micro Roller Adjustable
- Height adjustment +/- 3/32" (2 mm)
- Side-to-side adjustment +/- 1/16" (1.5 mm)



Item #	Description	Box Qty	
1	KVSUNDM-2DL	Left Hand Standard Front Locking Device	120
	KVSUNDM-2DR	Right Hand Standard Front Locking Device	120
2	KVSUNDM-2DNL	Narrow Left Hand Standard Front Locking Device	120
	KVSUNDM-2DNR	Narrow Right Hand Standard Front Locking Device	120



### Samet Screw-On Rear Mounting Bracket

- Metal rear mounting bracket for all KV Samet undermount drawer slides

Item #	Description	Box Qty
KVSUNDM-RB	Rear Mounting Bracket	180



**G-SLIDE SOFT-CLOSE UNDERMOUNT DRAWER SLIDES**

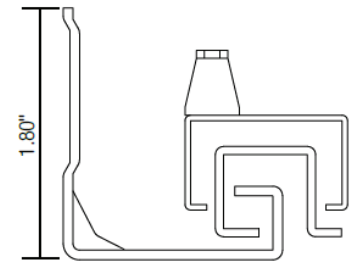


**G-Slide 2070B Full Extension Undermount Drawer Slides**

- For use with drawer material thickness from 1/2" to 5/8"
- 32mm hole pattern matches existing industry standards
- Full extension travel
- Mounting: Undermount
- Action: Telescopic action
- Load Rating: 75 lb. class
- Height: 1.80" [45.7mm]
- Finish: Zinc (ZC)



G-Slide 2070B Full Extension Slides		
Length	Item #	Box Qty
9"	KVGS2070-09B	6
12"	KVGS2070-12B	6
15"	KVGS2070-15B	6
18"	KVGS2070-18B	6
21"	KVGS2070-21B	6



**Front Release Levers**

- + 1/8" (3mm) height adjustment
- +/- 1/16" (1.5mm) side-to-side adjustment

Item #	Description	Box Qty
KVGS2070-2D-RL	Left/Right Set of Front Release Levers	30



2070-RBM



2070-RBP

**Mounting Brackets**

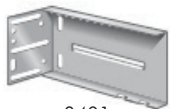
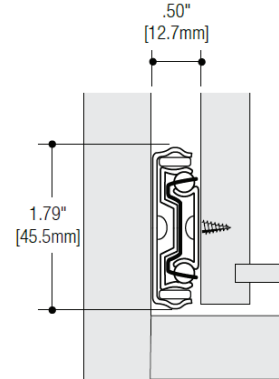
Item #	Description	Box Qty
KVGS2070-RBM	Metal rear mounting brackets	60

## KV 8400 MEDIUM-DUTY DRAWER SLIDES



### KV 8400 Full Extension Drawer Slides

- 32mm hole pattern with direct access mounting
- Lever disconnect for easy drawer removal
- Non-handed design
- Recommended maximum drawer width 24"
- Mounting: Side
- Action: Telescopic movement on ball-bearings
- Load Rating: 100 lb. class
- Height: 1.79" (45.5mm)
- Clearance: .50" + .03" - 0" on each side
- Finish: Anochrome (ANO), Ebony Black (EB), White (WH)
- Bulk items packaged in full boxes of 10 pair without screws
- Polybag items packaged 1 pair per bag with screws
- Q-packs (50 pair per box without screws) also available



8401



8402



8404

8400 Anochrome Finish		
Length	Bulk Item #	Polybag Item #
8"	KV8400-8B	KV8400-8
10"	KV8400-10B	KV8400-10
12"	KV8400-12B	KV8400-12
14"	KV8400-14B	KV8400-14
16"	KV8400-16B	KV8400-16
18"	KV8400-18B	KV8400-18
20"	KV8400-20B	KV8400-20
22"	KV8400-22B	KV8400-22
24"	KV8400-24B	KV8400-24
26"	KV8400-26B	KV8400-26
28"	KV8400-28B	KV8400-28

8400 Ebony Black Finish		
Length	Bulk Item #	Polybag Item #
8"	KV8400-8BKB	-
10"	KV8400-10BKB	-
12"	KV8400-12BKB	-
14"	KV8400-14BKB	-
16"	KV8400-16BKB	KV8400-16BK
18"	KV8400-18BKB	KV8400-18BK
20"	KV8400-20BKB	KV8400-20BK
22"	KV8400-22BKB	KV8400-22BK
24"	KV8400-24BKB	KV8400-24BK
26"	KV8400-26BKB	-
28"	KV8400-28BKB	-

8400 White Finish	
Length	Bulk Item #
8"	KV8400-8WHB
10"	KV8400-10WHB
12"	KV8400-12WHB
14"	KV8400-14WHB
16"	KV8400-16WHB
18"	KV8400-18WHB
20"	KV8400-20WHB
22"	KV8400-22WHB
24"	KV8400-24WHB
26"	KV8400-26WHB
28"	KV8400-28WHB

Mounting Brackets		
Item #	Description	Box Qty
KV8401	Rear Zinc Mounting Bracket	20
KV8402B	Rear Zinc Mounting Bracket	20
KV8402BBL	Rear Zinc Mounting Bracket	400
KV8404ANO	Front Zinc Mounting Bracket	20
KV8404ANOB	Front Zinc Mounting Bracket	100
KV8404ANOBBL	Front Zinc Mounting Bracket	400
KV8404BK	Front Black Mounting Bracket	20

## KV 8405 MEDIUM-DUTY DRAWER SLIDES

### KV 8405 Over-Travel Drawer Slides

- 1" over travel for full access to drawer contents
- Lever disconnect for easy drawer removal
- Non-handed design
- Recommended maximum drawer width 24"
- Mounting: Side
- Action: Telescopic action on ball-bearings
- Load Rating: 100 lb. class
- Height: 1.79" (45.5mm)
- Clearance: .50" + .03" - 0" on each side
- Finish: Anochrome (ANO), Ebony Black (EB)
- Bulk items packaged in full boxes of 10 pair without screws
- Polybag items packaged 1 pair per bag with screws



8405 Anochrome Finish		
Length	Bulk Item #	Polybag Item #
10"	KV8405-10B	KV8405-10
12"	KV8405-12B	KV8405-12
14"	KV8405-14B	KV8405-14
16"	KV8405-16B	KV8405-16
18"	KV8405-18B	KV8405-18
20"	KV8405-20B	KV8405-20
22"	KV8405-22B	KV8405-22
24"	KV8405-24B	KV8405-24
26"	KV8405-26B	KV8405-26
28"	KV8405-28B	KV8405-28
28"	KV8400-28B	KV8400-28

8405 Ebony Black Finish	
Length	Bulk Item #
14"	KV8405-14BKB
18"	KV8405-18BKB
20"	KV8405-20BKB
22"	KV8405-22BKB



8401

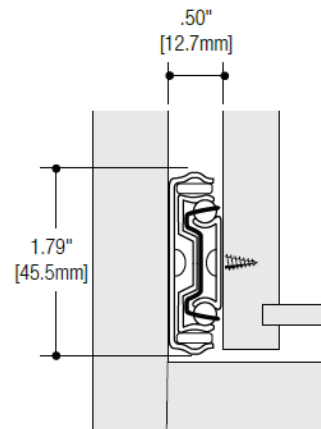


8402



8404

Mounting Brackets		
Item #	Description	Box Qty
KV8401	Rear Zinc Mounting Bracket	20
KV8402B	Rear Zinc Mounting Bracket	20
KV8402BBL	Rear Zinc Mounting Bracket	400
KV8404ANO	Front Zinc Mounting Bracket	20
KV8404ANOB	Front Zinc Mounting Bracket	100
KV8404ANOBBL	Front Zinc Mounting Bracket	400
KV8404BK	Front Black Mounting Bracket	20

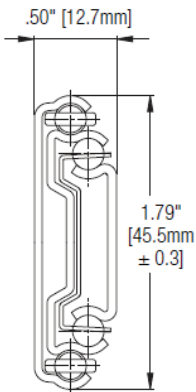


## KV 4200 / 4205 MEDIUM-DUTY DRAWER SLIDES



### KV G-Slide 4200 Full Extension & 4205 1" Overtravel Drawer Slides

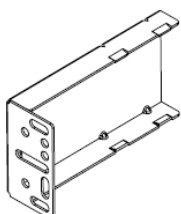
- 32mm hole pattern
- Lever disconnect for easy drawer removal
- Hold-in detent
- Non-handed design
- Recommended maximum drawer width 24"
- 4200: Full extension
- 4205: 1" Over travel
- Mounting: Side
- Action: Telescopic movement on ball-bearings
- Load Rating: 4200: 100 lb. class
- Load Rating: 4205: 90 lb. class
- Height: 1.79" (45.5mm)
- Clearance: .50" + .03" - 0" on each side
- Finish: Zinc (ZC); Black (EB) special order
- Packaged in full boxes of 10 pair without screws



G-Slide 4200 Full Extension Slides Zinc Finish	
Length	Item #
10"	KVGS4200-10
12"	KVGS4200-12
14"	KVGS4200-14
16"	KVGS4200-16
18"	KVGS4200-18
20"	KVGS4200-20
22"	KVGS4200-22
24"	KVGS4200-24
26"	KVGS4200-26
28"	KVGS4200-28

G-Slide 4205 Overtravel Slides Zinc Finish	
Length	Item #
10"	KV4205-10
12"	KV4205-12
14"	KV4205-14
16"	KV4205-16
18"	KV4205-18
20"	KV4205-20
22"	KV4205-22
24"	KV4205-24
26"	KV4205-26
28"	KV4205-28

Mounting Brackets		
Item #	Description	Box Qty
KVGS4340RB	Rear Zinc Mounting Bracket	200

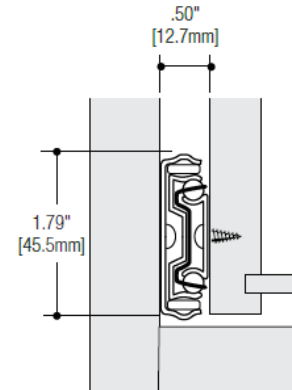


## KV 8417/8419/8400RV MEDIUM-DUTY DRAWER SLIDES



### KV 8417, 8419, 8400RV Self-Closing Drawer Slides

- 32mm hole pattern with direct access mounting
- Self-closing feature
- 8400RV features a stronger spring for mobile applications
- Recommended maximum drawer width 24"
- 8417: Self-closing full extension drawer slide
- 8419: Self-closing 1" over travel drawer slide
- 8400RV: Heavy-Duty self-closing full extension drawer slide
- Mounting: Side
- Action: Telescopic movement on ball-bearings
- Load Rating: 100 lb. class (8417/8400RV); 90 lb. class (8419)
- Height: 1.79" (45.5mm)
- Clearance: .50" + .03" - 0" on each side
- Finish: Anochrome (ANO)
- Bulk items packaged in full boxes of 10 pair without screws
- Polybag items packaged 1 pair per bag with screws

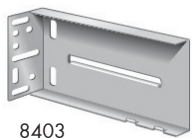


8417 Full Extension Series Drawer Slides		
Length	Anochrome Bulk Item #	Anochrome Polybag Item #
12"	KV8417-12B	KV8417-12
14"	KV8417-14B	KV8417-14
16"	KV8417-16B	KV8417-16
18"	KV8417-18B	KV8417-18
20"	KV8417-20B	KV8417-20
22"	KV8417-22B	KV8417-22
24"	KV8417-24B	KV8417-24
26"	KV8417-26B	KV8417-26

8419 Overtravel Slides - Anochrome Finish		
Length	Bulk Item #	Polybag Item #
14"	-	KV8419-14
16"	-	KV8419-16
18"	-	KV8419-18
20"	KV8419-20B	KV8419-20
22"	KV8419-22B	KV8419-22
24"	KV8419-24B	KV8419-24
26"	-	KV8419-26

8400RV Heavy Duty Full Extension - Anochrome Finish			
Length	Bulk Item #	Length	Bulk Item #
10"	KV8400-10BRV	20"	KV8400-20BRV
12"	KV8400-12BRV	22"	KV8400-22BRV
14"	KV8400-14BRV	24"	KV8400-24BRV
16"	KV8400-16BRV	26"	KV8400-26BRV
18"	KV8400-18BRV	28"	KV8400-28BRV

Mounting Brackets		
Item #	Description	Box Qty
KV8403B	Rear Zinc Mounting Bracket	20
KV8403BBL	Rear Zinc Mounting Bracket	400
KV8404ANO	Front Zinc Mounting Bracket	20
KV8404ANOB	Front Zinc Mounting Bracket	100
KV8404ANOBBL	Front Zinc Mounting Bracket	400
KV8404BK	Front Black Mounting Bracket	20
KV8404ANOKIT	2 (8403) + 2 (8404) + Screws	1



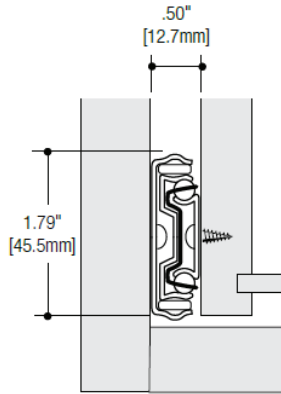


## KV 8450FM/8455FM MEDIUM-DUTY DRAWER SLIDES



### KV 8450FM/8455FM Soft-Close Drawer Slides

- Patented Force Management™ (FM) soft-close technology
- 32mm hole pattern with direct access mounting
- Lever disconnect for easy drawer removal
- Non-handed design
- Recommended maximum drawer width 24"
- 8450FM: Full extension
- 8455FM: 1" Over travel
- Action: Telescopic movement on ball-bearings
- Load Rating: 8450FM: 100 lb. class
- Load Rating: 8455FM: 90 lb. class
- Height: 1.79" (45.5mm)
- Clearance: .50" + .03" - 0" on each side
- Finish: Anochrome (ANO), Ebony Black (EB)
- Bulk items packaged in full boxes of 10 pair without screws
- Polybag items packaged 1 pair per bag with screws



Soft-Close Mechanism

#### 8450FM Full Extension Soft-Close Drawer Slides

Length	Anochrome Bulk Item #	Anochrome Polybag Item #	Ebony Black Bulk Item #
12"	KV8450FM-12B	KV8450FM-12	-
14"	KV8450FM-14B	KV8450FM-14	-
16"	KV8450FM-16B	KV8450FM-16	KV8450FM-16BKB
18"	KV8450FM-18B	KV8450FM-18	KV8450FM-18BKB
20"	KV8450FM-20B	KV8450FM-20	KV8450FM-20BKB
22"	KV8450FM-22B	KV8450FM-22	KV8450FM-22BKB
24"	KV8450FM-24B	KV8450FM-24	-
26"	KV8450FM-26B	KV8450FM-26	-
28"	KV8450FM-28B	KV8450FM-28	-

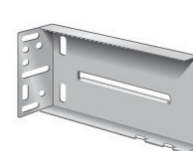
NOTE: 12" slide has 10.2" extension

#### 8455FM 1" Overtravel Soft-Close Drawer Slides

Length	Anochrome Bulk Item #	Anochrome Polybag Item #	Ebony Black Bulk Item #
16"	KV8455FM-16B	-	KV8455FM-16BKB
18"	KV8455FM-18B	-	KV8455FM-18BKB
20"	KV8455FM-20B	KV8455FM-20	-
22"	KV8455FM-22B	KV8455FM-22	KV8455FM-22BKB
24"	KV8455FM-24B	-	-
26"	KV8455FM-26B	-	-
28"	KV8455FM-28B	-	-

#### Mounting Brackets

Item #	Description	Box Qty
KV8403B	Rear Zinc Mounting Bracket	20
KV8403BBL	Rear Zinc Mounting Bracket	400
KV8404ANO	Front Zinc Mounting Bracket	20
KV8404ANOB	Front Zinc Mounting Bracket	100
KV8404ANOBBL	Front Zinc Mounting Bracket	400
KV8404BK	Front Black Mounting Bracket	20
KV8404ANOKIT	2 (8403) + 2 (8404) + Screws	1



8403



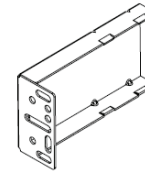
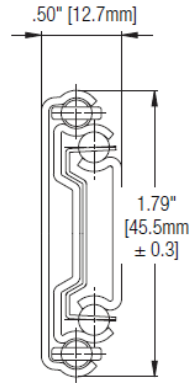
8404

## KV 4270/4260 MEDIUM-DUTY DRAWER SLIDES



### KV G-Slide 4270 Soft-Close Drawer Slides

- Soft-close module
- 32mm hole pattern
- Lever disconnect for easy drawer removal
- Non-handed design
- Recommended maximum drawer width 24"
- Mounting: Side
- Action: Telescopic movement on ball-bearings
- Load Rating: 100 lb. class
- Height: 1.79" (45.5mm)
- Clearance: .50" + .03" - 0" on each side
- Finish: Zinc (ZC)
- Packaged in full boxes of 10 pair without screws



NOTE: 12" slide has an 8.4" extension and 14" slide has an 11.9" extension.

G-Slide 4270 Full Extension Slides			
Length	Item #	Length	Item #
12"	KVGS4270-12	22"	KVGS4270-22
14"	KVGS4270-14	24"	KVGS4270-24
16"	KVGS4270-16	26"	KVGS4270-26
18"	KVGS4270-18	28"	KVGS4270-28
20"	KVGS4270-20	28"	KVGS4200-28

Mounting Brackets		
Item #	Description	Box Qty
KVGS4340RB	Rear Zinc Mounting Bracket	200



### KV G-Slide 4260 Push-Open Drawer Slides

- Push-open feature holds a drawer or tray in the closed position until activated by a slight push
- 32mm hole pattern
- Lever disconnect for easy drawer removal
- Non-handed design
- Recommended maximum drawer width 24"
- Mounting: Side
- Action: Telescopic movement on ball-bearings
- Load Rating: 100 lb. class
- Height: 1.79" (45.5mm)
- Clearance: .50" + .03" - 0" on each side
- Finish: Zinc (ZC)
- Packaged in full boxes of 10 pair without screws

G-Slide 4260 Full Extension Slides			
Length	Item #	Length	Item #
12"	KVGS4260-12	22"	KVGS4260-22
14"	KVGS4260-14	24"	KVGS4260-24
16"	KVGS4260-16	26"	KVGS4260-26
18"	KVGS4260-18	28"	KVGS4260-28
20"	KVGS4260-20		

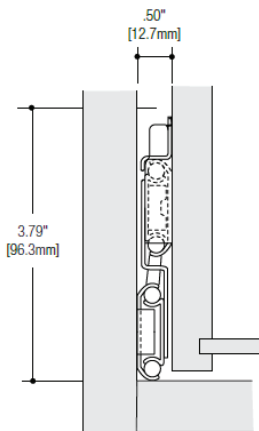
Mounting Brackets		
Item #	Description	Box Qty
KVGS4340RB	Rear Zinc Mounting Bracket	200

## KV 8500 / 8505 HEAVY-DUTY DRAWER SLIDES

### KV 8500/8505 Heavy Duty File or Lateral Drawer Slides



- 32mm hole pattern
- Non-handed quick disconnect drawer members
- Hold-in feature to prevent bounce back
- Recommended maximum drawer width: 8500: 36" | 8505: 30"
- 8500: Full extension drawer slide
- 8505: 1.25" over travel drawer slide
- Mounting: Side
- Action: Progressive movement on ball-bearings
- Load Rating: 150 lb. class
- Height: 3.79" (96.3mm) (includes quick disconnect rail)
- Clearance: .50" + .03" - 0" on each side
- Finish: Anochrome (ANO); Ebony Black (EB) also available
- Bulk items packaged 5 pair per box without screws
- Polybag items packaged 1 pair per bag with screws



8500 Full Extension Drawer Slides - Anochrome Finish		
Length	Anochrome Bulk Item #	Anochrome Polybag Item #
12"	KV8500-12X	KV8500-12
14"	KV8500-14X	KV8500-14
16"	KV8500-16X	KV8500-16
18"	KV8500-18X	KV8500-18
20"	KV8500-20X	KV8500-20
22"	KV8500-22X	KV8500-22
24"	KV8500-24X	KV8500-24
26"	KV8500-26X	KV8500-26
28"	KV8500-28X	KV8500-28
30"	KV8500-30X	KV8500-30

8505 Over-Travel Drawer Slides - Anochrome Finish		
Length	Anochrome Bulk Item #	Anochrome Polybag Item #
12"	KV8505-12X	KV8505-12
14"	KV8505-14X	KV8505-14
16"	KV8505-16X	KV8505-16
18"	KV8505-18X	KV8505-18
20"	KV8505-20X	KV8505-20
22"	KV8505-22X	KV8505-22
24"	KV8505-24X	KV8505-24
26"	KV8505-26X	KV8505-26
28"	KV8505-28X	KV8505-28
30"	KV8505-30X	KV8505-30

## KV 8600/8605 HEAVY-DUTY DRAWER SLIDES



### KV 8600 Heavy-Duty Full Extension Drawer Slides

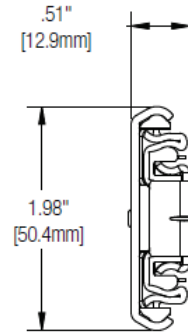
- Butterfly lever disconnect
- Non-handed design
- Recommended maximum drawer width 36"
- Mounting: Side
- Action: Telescopic movement on ball-bearings
- Height: 1.98" (50.4mm)
- Clearance: .51" + .01" - 0" on each side
- Finish: Zinc (ZC)
- Packaged 5 pair per box without screws
- Load Rating (based on application):

**Load: 150 lb.:**

- Max. Drawer Width: 36"
- Slides: 18"
- Drawer Width: 36"
- Cycles: 50,000 (center pull)

**Load: 200 lb.:**

- Max. Drawer Width: 18"
- Slides: 18"
- Drawer Width: 18"
- Cycles: 25,000 (center pull)



Length	Item #
12"	KV8600-12B
14"	KV8600-14B
16"	KV8600-16B
18"	KV8600-18B
20"	KV8600-20B

Length	Item #
22"	KV8600-22B
24"	KV8600-24B
26"	KV8600-26B
28"	KV8600-28B



### KV 8605 Heavy-Duty Over-Travel Drawer Slides

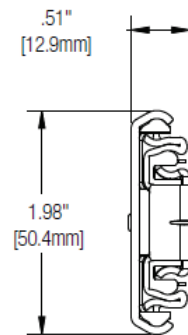
- Butterfly lever disconnect
- Non-handed design
- Recommended maximum drawer width 36"
- Action: Telescopic movement on ball-bearings
- Height: 1.98" (50.4mm)
- Clearance: .51" + .01" - 0" on each side
- Finish: Zinc (ZC)
- Packaged 5 pair per box without screws
- Load Rating (based on application):

**Load: 140 lb.:**

- Max. Drawer Width: 36"
- Slides: 18"
- Drawer Width: 36"
- Cycles: 50,000 (center pull)

**Load: 190 lb.:**

- Max. Drawer Width: 18"
- Slides: 18"
- Drawer Width: 18"
- Cycles: 25,000 (center pull)



Length	Item #
12"	KV8605-12B
14"	KV8605-14B
16"	KV8605-16B
18"	KV8605-18B
20"	KV8605-20B

Length	Item #
22"	KV8605-22B
24"	KV8605-24B
26"	KV8605-26B
28"	KV8605-28B



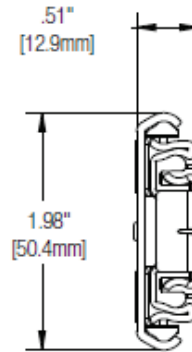
## KV 8650FM / 8655FM HEAVY-DUTY DRAWER SLIDES



### KV 8650FM Full Extension Soft-Close Drawer Slides

- Patented Force Management (FM) Soft-Close Technology
- Butterfly lever disconnect
- Non-handed design
- Recommended maximum drawer width 36"
- Mounting: Side
- Action: Telescopic movement on ball-bearings
- Load: 150 lb.
  - Max. Drawer Width: 36"
  - Slides: 18"
  - Drawer Width: 36"
  - Cycles: 50,000 (center pull)
- Height: 1.98" (50.4mm)
- Clearance: .51" + .01" - 0" on each side
- Finish: Zinc (ZC)
- Packaged 5 pair per box without screws

NOTE: 14" slide has an 11" extension and 16" slide has a 15" extension.



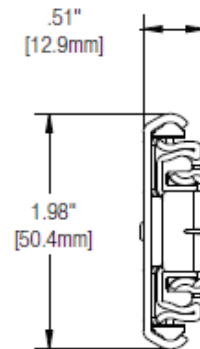
Length	Item #
14"	KV8650FM-14B
16"	KV8650FM-16B
18"	KV8650FM-18B
20"	KV8650FM-20B

Length	Item #
22"	KV8650FM-22B
24"	KV8650FM-24B
26"	KV8650FM-26B
28"	KV8650FM-28B



### KV 8655FM Heavy-Duty Soft-Close Over-Travel Drawer Slides

- Patented Force Management (FM) Soft-Close Technology
- 1" over travel
- Butterfly lever disconnect
- Non-handed design
- Recommended maximum drawer width 36"
- Mounting: Side
- Action: Telescopic movement on ball-bearings
- Load: 140 lb.
  - Max. Drawer Width: 36"
  - Slides: 18"
  - Drawer Width: 36"
  - Cycles: 50,000 (center pull)
- Height: 1.98" (50.4mm)
- Clearance: .51" + .01" - 0" on each side
- Finish: Zinc (ZC)
- Packaged 5 pair per box without screws



Length	Item #
18"	KV8655FM-18B
20"	KV8655FM-20B
22"	KV8655FM-22B

Length	Item #
24"	KV8655FM-24B
26"	KV8655FM-26B
28"	KV8655FM-28B

**KV 8810/8815 HEAVY-DUTY DRAWER SLIDES**



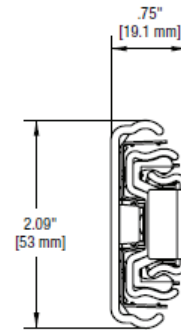
**KV 8810 Heavy-Duty Full Extension Drawer Slides**

- Non-handed design for easy installation
- Closed-position hold-in detent
- Butterfly lever release
- Recommended maximum drawer width 42"
- Mounting: Side
- Action: Telescopic movement on ball-bearings
- Load Rating: 200 lb. class; 100 lb. flat mount rating
- Height: 2.09" (53mm)
- Clearance: .75" + .03" - 0" on each side
- Finish: Zinc (ZC)
- Packaged 4 pair per box without screws



Length	Item #
10"	KV8810-10B
12"	KV8810-12B
14"	KV8810-14B
16"	KV8810-16B
18"	KV8810-18B

Length	Item #
20"	KV8810-20B
22"	KV8810-22B
24"	KV8810-24B
26"	KV8810-26B
28"	KV8810-28B

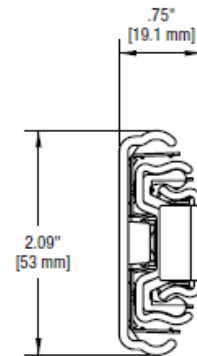


**KV 8815 Heavy-Duty Over-Travel Drawer Slides**

- Non-handed design for easy installation
- Ideal for large storage drawer applications
- 1" over travel allows for easy access to drawer contents
- Butterfly lever release
- Recommended maximum drawer width 42"
- Mounting: Side
- Action: Telescopic movement on ball-bearings
- Load Rating: 190 lb. class
- Height: 2.09" (53mm)
- Clearance: .75" + .03" - 0" on each side
- Finish: Zinc (ZC)
- Packaged 4 pair per box without screws

Length	Item #
12"	KV8815-12B
14"	KV8815-14B
16"	KV8815-16B
18"	KV8815-18B
20"	KV8815-20B

Length	Item #
22"	KV8815-22B
24"	KV8815-24B
26"	KV8815-26B
28"	KV8815-28B

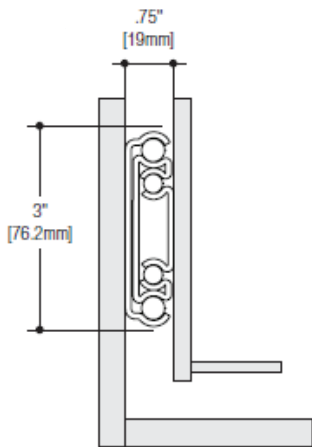


## KV 8900 HEAVY-DUTY DRAWER SLIDES



### KV 8900 Extra Heavy-Duty Full Extension Drawer Slides

- Heavy-Duty stops are designed to withstand rough use
- Non-handed design for easy installation
- Full extension travel
- Non-disconnect
- Mounting: Side
- Action: Telescopic movement on ball-bearings
- Load Rating: 100-500 lb. class depending on application
- 100 lb. flat mount rating
- Height: 3" (76.2mm)
- Clearance: .75" + .03" - 0" on each side
- Finish: Zinc (ZC)
- Bulk items 40" - 60" sold 1 pair per box
- Polybag items 12" - 36" sold 1 pair per bag



8900 Polybag Slides	
Length	Polybag Item #
12"	KV8900-12
14"	KV8900-14
16"	KV8900-16
18"	KV8900-18
20"	KV8900-20
22"	KV8900-22
24"	KV8900-24

8900 Polybag Slides	
Length	Polybag Item #
26"	KV8900-26
28"	KV8900-28
30"	KV8900-30
32"	KV8900-32
34"	KV8900-34
36"	KV8900-36

8900 Bulk Slides	
Length	Bulk Item #
40"	KV8900-40B
42"	KV8900-42B
44"	KV8900-44B
48"	KV8900-48B
60"	KV8900-60B

Load Rating Chart		
Load Rating	Test Condition	Open/Close Cycle Tested
500 lb.	18" slide in 18" width drawer	10,000
400 lb.	18" slide in 42" width drawer	30,000
300 lb.	18" slide in 36" width drawer	75,000
100 lb. flat load	18" slide in 32" width drawer	10,000

## KV 1805 EPOXY DRAWER SLIDES



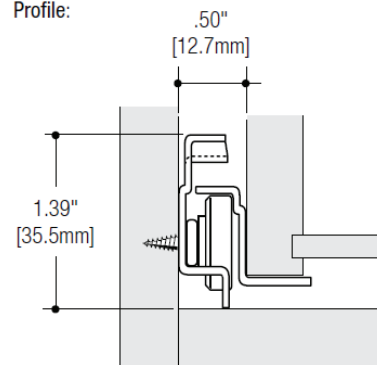
### KV 1805 Epoxy-Coated Drawer Slides

- 32mm mounting hole pattern
- Lift out disconnect
- Self-close design
- Recommended maximum drawer width 18"
- Mounting: Side
- Action: Rollers
- Load Rating: 75 lb. class
- Height: 1.39" (35.5mm)
- Clearance: .50" + .03" - 0" on each side
- Finish: White
- Q-packs packaged 100 pair per carton without screws, multiple cartons
- T-packs are packaged 1 pair taped together without screws. 20 pair per carton



1805 White Finish		
Length	T-Pack Item #	Q-Pack Item #
11-13/16" (300mm)	KV1805-12WHT	KV1805-12WHQ
13-3/4" (350mm)	KV1805-14WHT	KV1805-14WHQ
15-3/4" (400mm)	KV1805-16WHT	KV1805-16WHQ
17-3/4" (450mm)	KV1805-18WHT	KV1805-18WHQ
19-3/4" (500mm)	KV1805-20WHT	KV1805-20WHQ
21-5/8" (550mm)	KV1805-22WHT	KV1805-22WHQ
23-5/8" (600mm)	KV1805-24WHT	-

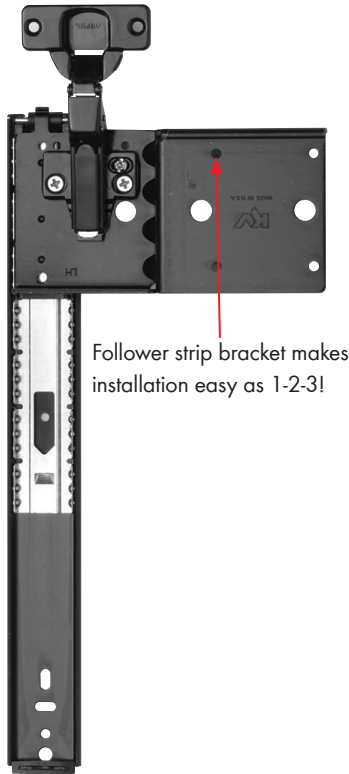
Profile:



Mounting Brackets		
Item #	Description	Box Qty
KV1805-401RH	Right Hand Rear Mounting Bracket (4" socket)	50
KV1805-401LH	Left Hand Rear Mounting Bracket (4" socket)	50



## POCKET DOOR SLIDES



Follower strip bracket makes installation easy as 1-2-3!

### KV Pivot Door Slides 8070/8071/8072

- 8070: 3/4 extension slide with self-close 35mm inset hinge and baseplate
- 8071: 3/4 extension slide without hinge and baseplate
- 8072: 3/4 extension slide with included hinge baseplate
- Load Rating: 30 lb. class
- Maximum Dimensions:
  - Vertical doors: 42" high x 24" wide
  - Horizontal pivot doors: 24" high x 48" wide
- Packaged 1 pair per bag with screws



8070EZ Ebony Black		8071EZ Ebony Black		8072EZ Ebony Black	
Includes standard inset hinge and baseplate		Hinges and baseplates are not included		Baseplate included; must order hinges separately	
Size	Item #	Size	Item #	Size	Item #
12"	KV8070-12BK	12"	KV8071-12BK	12"	KV8072-12BK
14"	KV8070-14BK	14"	KV8071-14BK	14"	KV8072-14BK
16"	KV8070-16BK	16"	KV8071-16BK	16"	KV8072-16BK
18"	KV8070-18BK	18"	KV8071-18BK	18"	KV8072-18BK
20"	KV8070-20BK	20"	KV8071-20BK	20"	KV8072-20BK
22"	KV8070-22BK	22"	KV8071-22BK	22"	KV8072-22BK
24"	KV8070-24BK	24"	KV8071-24BK	24"	KV8072-24BK

### 8071 Hinge Kit Options

- 2 hinges and 2 baseplates in each kit



### 8072 Hinge Kit Options

- Baseplates not included
- 2 hinges per kit

Item #	Hinge Cup Size	Door Thickness	Application
<b>Nickel Finish Hinges</b>			
KV8080HKSSAL	35mm	3/4"	Inset
KV8080HKLSAL	40mm	3/4"	Partial Overlay
KV8086HKXSAL	40mm	1-1/4"	Inset - Thick Door
<b>Ebony Black Hinges</b>			
KV8080HKSSALBK	35mm	3/4"	Inset
KV8080HKLSALBK	40mm	3/4"	Partial Overlay
KV8086HKXSALBK	40mm	1-1/4"	Inset - Thick Door

Item #	Hinge Cup Size	Door Thickness	Application
<b>Nickel Finish Hinges</b>			
KV8080-HKEZL	40mm	3/4"	Partial Overlay
KV8080-HKEZF	35mm	3/4"	Inset - Free Swing
<b>Ebony Black Hinges</b>			
KV8080H-EZS-BK	35mm	3/4"	Inset
KV8080H-EZL-BK	40mm	3/4"	Partial Overlay
KV8085H-EZT-BK	40mm	1"	Inset - Thick Door
KV8086H-EZX-BK	40mm	1-1/4"	Inset - Extra Thick Door



### KV 8090P CR Raised Panel Cassette Roller

- Additional protection for raised panel doors
- Packaged 1 per polypack with screws

Item #
KV8090P-CR

## POCKET DOOR SLIDES



### KV Pivot Door Slides, 8080/8081/8082

- 8080: 3/4 extension slide with self-close 35mm inset hinge and baseplate
- 8081: 3/4 extension slide without hinge and baseplate
- 8082: 3/4 extension slide with attached hinge baseplate
- Load Rating: 30 lb. class
- Maximum Dimensions:
  - Vertical doors: 42" high x 24" wide
  - Horizontal pivot doors: 24" high x 48" wide
- Packaged 1 pair per bag with screws



Includes Hinges And Bases			No Hinges Or Bases		Hinge Base Only		
	8080EZ Anochrome	8080EZ Ebony Black		8081EZ Anochrome		8082EZ Anochrome	8082EZ Ebony Black
Size	Item #	Item #	Size	Item #	Size	Item #	Item #
12"	KV8080-12	KV8080-12BK	12"	KV8081-12	12"	KV8082-12	KV8082-12BK
14"	KV8080-14	KV8080-14BK	14"	KV8081-14	14"	KV8082-14	KV8082-14BK
16"	KV8080-16	KV8080-16BK	16"	KV8081-16	16"	KV8082-16	KV8082-16BK
18"	KV8080-18	KV8080-18BK	18"	KV8081-18	18"	KV8082-18	KV8082-18BK
20"	KV8080-20	KV8080-20BK	20"	KV8081-20	20"	KV8082-20	KV8082-20BK
22"	KV8080-22	KV8080-22BK	22"	KV8081-22	22"	KV8082-22	KV8082-22BK
24"	KV8080-24	KV8080-24BK	24"	KV8081-24	24"	KV8082-24	KV8082-24BK

### 8081 Hinge Kit Options

- 2 hinges and 2 baseplates in each kit



### 8082 Hinge Kit Options

- Baseplates not included
- 2 hinges per kit

Item #	Hinge Cup Size	Door Thickness	Application
<b>Nickel Finish Hinges</b>			
KV8080HKSSAL	35mm	3/4"	Inset
KV8080HKLSAL	40mm	3/4"	Partial Overlay
KV8086HKXSAL	40mm	1-1/4"	Inset - Thick Door
<b>Ebony Black Hinges</b>			
KV8080HKSSALBK	35mm	3/4"	Inset
KV8080HKLSALBK	40mm	3/4"	Partial Overlay
KV8086HKXSALBK	40mm	1-1/4"	Inset - Thick Door

Item #	Hinge Cup Size	Door Thickness	Application
<b>Nickel Finish Hinges</b>			
KV8080-HKEZL	40mm	3/4"	Partial Overlay
KV8080-HKEZF	35mm	3/4"	Inset - Free Swing
<b>Ebony Black Hinges</b>			
KV8080H-EZS-BK	35mm	3/4"	Inset
KV8080H-EZL-BK	40mm	3/4"	Partial Overlay
KV8085H-EZT-BK	40mm	1"	Inset - Thick Door
KV8086H-EZX-BK	40mm	1-1/4"	Inset - Extra Thick Door



### KV 8090P CR Raised Panel Cassette Roller

- Additional protection for raised panel doors
- Packaged 1 per polypack with screws

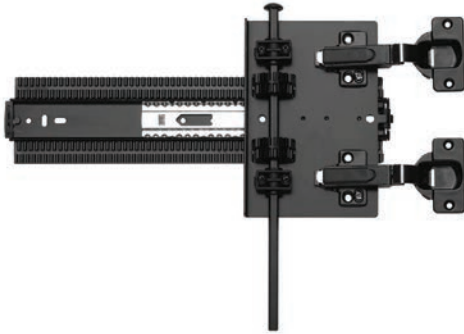
Item #
KV8090P-CR

## POCKET DOOR SLIDES

### KV Pivot Door Slides 8091/8092



KNAPE & VOGT



- 8091: Hinge and baseplate not included
- 8092: Baseplate attached; hinge must be ordered separately
- Rack and pinion design
- Load Rating: 75 lb class
- Greatly reduces door sag
- Maximum Dimensions: Vertical Doors: 72" high x 26" wide

8091 Ebony Black		8092 Ebony Black	
Hinge and baseplate not included		Baseplate attached; hinges must be ordered separately	
Size	Item #	Size	Item #
12"	KV8091-12BK	12"	KV8092-12BK
13"	KV8091-13BK	13"	KV8092-13BK
14"	KV8091-14BK	14"	KV8092-14BK
15"	KV8091-15BK	15"	KV8092-15BK
16"	KV8091-16BK	16"	KV8092-16BK
18"	KV8091-18BK	18"	KV8092-18BK
20"	KV8091-20BK	20"	KV8092-20BK
22"	KV8091-22BK	22"	KV8092-22BK
24"	KV8091-24BK	24"	KV8092-24BK
26"	KV8091-26BK	26"	KV8092-26BK
28"	KV8091-28BK	28"	KV8092-28BK
30"	KV8091-30BK	30"	KV8092-30BK

#### 8091 Hinge Kit Options

- 2 hinges and 2 baseplates in each kit



#### 8092 Hinge Kit Options

- Baseplates not included
- 2 hinges per kit

Item #	Hinge Cup Size	Door Thickness	Application
<b>Nickel Finish Hinges</b>			
KV8080HKSSAL	35mm	3/4"	Inset
KV8080HKLSAL	40mm	3/4"	Partial Overlay
KV8086HKXSAL	40mm	1-1/4"	Inset - Thick Door
<b>Ebony Black Hinges</b>			
KV8080HKSSALBK	35mm	3/4"	Inset
KV8080HKLSALBK	40mm	3/4"	Partial Overlay
KV8086HKXSALBK	40mm	1-1/4"	Inset - Thick Door

Item #	Hinge Cup Size	Door Thickness	Application
<b>Nickel Finish Hinges</b>			
KV8080-HKEZL	40mm	3/4"	Partial Overlay
KV8080-HKEZF	35mm	3/4"	Inset - Free Swing
<b>Ebony Black Hinges</b>			
KV8080H-EZS-BK	35mm	3/4"	Inset
KV8080H-EZL-BK	40mm	3/4"	Partial Overlay
KV8085H-EZT-BK	40mm	1"	Inset - Thick Door
KV8086H-EZX-BK	40mm	1-1/4"	Inset - Extra Thick Door



#### KV 8090P CR Raised Panel Cassette Roller

- Additional protection for raised panel doors
- Packed 1 per poly pack with screws; 20 per box

Item #
KV8090P-CR

#### KV 8092 Pinion Shafts for

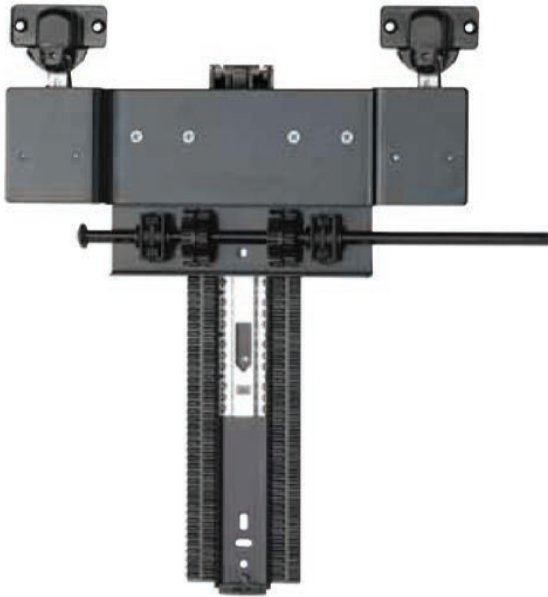
##### 4x4 Pocket Door Slides

- 1 pair of shafts per pack



Length	Item #
36"	KV8090FR-36BKB
48"	KV8090FR-48BKB
72"	KV8090FR-72BKB

## POCKET DOOR SLIDES

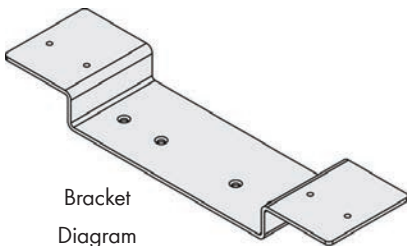


### KV 4X4 Pocket Door Slides Full Overlay Kit



- Provides a full door overlay on doors up to .75" thick
- Does not compromise key performance features of 4X4 pocket door system
- Mounts directly to KV 8091 series slides
- Accommodates doors up to 75 lb and 72" in height
- Designed to meet or exceed ANSI performance standards as established by BIFMA, BHMA, and KCMA
- Finish: Black
- Polybag kit includes:
  - 2 brackets
  - 4 overlay hinges
  - 4 hinge bases
  - 4 hinge cover caps
  - 4 protective door felt pads
  - All necessary mounting hardware

Item #	Description
KV8091-3/4	Pocket Door Slide Kit with Grass Overlay Hinges
KV8091-3/4S	Pocket Door Slide Kit with Salice Overlay Hinges



Bracket  
Diagram

#### Full Overlay Kit Installation Requirements

- Overlay kits require the use of a KV 8091 series slide
- Overlay kits require the use of a pinion shaft
- Overlay kits require the use of a partition wall within the cabinet

#### Typical Overlay Applications

Door Thickness	Amount of Overlay	Pocket Width
3/4"	3/4"	1-3/4"
13/16"	11/16"	1-13/16"
7/8"	5/8"	1-7/8"
15/16"	9/16"	1-15/16"
1"	1/2"	2"
1-1/16"	7/16"	2-1/16"
1-1/8"	3/8"	2-1/8"
1-3/16"	5/16"	2-3/16"
1-1/4"	1/4"	2-1/4"

- Minimum Door Height: 24"
- Maximum Door Height: 72"



## KV 80/180 REGULAR DUTY STANDARDS & BRACKETS



Anochrome

Black

White

### KV 80 Series Standards

- Single slot design
- 1" vertical slot adjustability
- BHMA Grade 2 Compliant
- Limited lifetime warranty
- Dimensions: 5/8" wide x 13/32" deep x selected length
- Material: 16 gauge steel
- Countersunk screw holes
- Safety lead-in at top of standards
- Embossed "up" and arrow to show correct orientation and precision cut lengths
- Center aligned slots and screw holes
- Packed 10 standards per box

Length	Anochrome Item #	Black Item #	White Item #
12"	KV80ANO12	-	-
18"	KV80ANO18	-	-
24"	KV80ANO24	KV80BLK24	KV80WH24
36"	KV80ANO36	KV80BLK36	KV80WH36
48"	KV80ANO48	KV80BLK48	KV80WH48
60"	KV80ANO60	KV80BLK60	KV80WH60
72"	KV80ANO72	KV80BLK72	KV80WH72
84"	KV80ANO84	-	-
96"	KV80ANO96	KV80BLK96	-



Anochrome



Black



White

### KV 180 Series Brackets

- For use with KV 80 series standards
- Material: 14 and 16 gauge steel
- Holds up to 320 lbs. per pair
- Two complete locking teeth
- Spring steel clip for stability and friction lock
- Shelf retaining clip
- Packed 10 brackets per box

Length	Anochrome Item #	Black Item #	White Item #
4"	KV18ANO4	-	-
6"	KV18ANO6	KV180BLK06	KV180WH6
8"	KV18ANO8	-	KV180WH8
10"	KV18ANO10	KV180BLK10	-
12"	KV18ANO12	KV180BLK12	KV180WH12
14"	KV18ANO14	KV180BLK14	KV180WH14
16"	KV18ANO16	KV180BLK16	KV180WH16
18"	KV18ANO18	-	-
20"	KV18ANO20	-	-

**KV 80/180 SERIES STANDARD & BRACKET ACCESSORIES**



**KV 160LL Series Lock Lever Brackets**

- For use with 1" adjustable 80 series standards
- Material: 14 gauge steel
- Finish: Anochrome (ANO)
- Two locking teeth
- Lever lock for extra secure mounting and stability
- Shelf retaining lip
- Packed 10 brackets per box



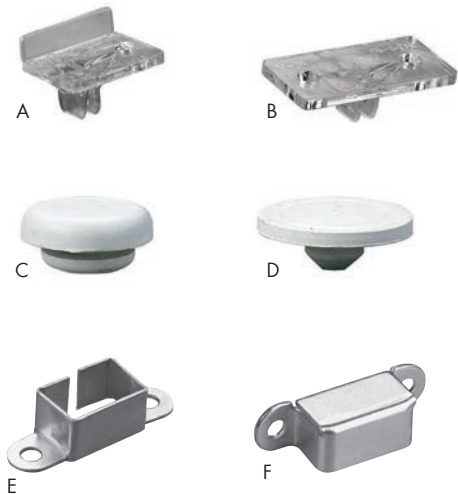
Length	Item #
12"	KV160ANO12
16"	KV160ANO16



**KV 179 Series Adjustable Angle Brackets**

- For use with 1" adjustable 80 series standards
- Material: 14 and 16 gauge steel
- Finish: Anochrome (ANO)
- Two complete locking teeth
- Shelf retaining clip
- Spring clip for stability and friction locking
- Adjusts to 15°, 30°, 45° and level
- Packed 10 brackets per box

Length	Item #
10"	KV179ANO10
12"	KV179ANO12
14"	KV179ANO14



**KV 80/180 Series Accessories**

- Packed 100 per box

	Item #	Description
A	KV103-PLAS	Clear plastic front rest
B	KV104PLAS	Clear plastic back rest
C	KV119	Gray rubber cushion to use with metal rests
D	KV129R	Gray rubber cushion to use with plastic rests
E	KV136	Socket-#80 standard bottom socket
F	KV137	Socket-#80 standard top socket

**KV 83/183 SERIES HEAVY-DUTY STANDARDS & BRACKETS**



**KV 83 Series Oversized Standards**

- Single slot design
- 1" vertical slot adjustability
- BHMA Grade 2 Compliant
- Limited lifetime warranty
- Dimensions: 3/4" W x 1/2" D x selected length
- Material: 16 gauge steel
- Finish: Anochrome (ANO)
- Safety lead-in at top of standard
- Embossed logo to show correct orientation
- Countersunk screw holes
- Center aligned slots and screw holes
- Precision cut lengths
- Packed 10 standards per box



Length	Item #
24"	KV83ANO24
36"	KV83ANO36
48"	KV83ANO48
60"	KV83ANO60

Length	Item #
72"	KV83ANO72
84"	KV83ANO84
96"	KV83ANO96



Right Bracket

**KV 183 Series Brackets**

- For use with KV 83 series standards
- 183R: Right Flange Bracket
- 183L: Left Flange Bracket
- 183C: Center Flange Bracket
- Material: 16 gauge steel
- Finish: Anochrome (ANO)
- Holds up to 460 lbs. per pair of brackets
- Bracket flanges allows for simple attachment to wooden shelves
- Brackets may also be used with 85 series standards for added supports on long shelves
- Packed 10 brackets per box



Left Bracket



Center Bracket

Length	Right Bracket Item #	Left Bracket Item #	Center Bracket Item #
8"	KV183RANO8	KV183LANO8	KV183CANO8
10"	KV183RANO10	KV183LANO10	KV183CANO10
12"	KV183RANO12	KV183LANO12	KV183CANO12
14"	KV183RANO14	KV183LANO14	KV183CANO14
16"	KV183RANO16	KV183LANO16	KV183CANO16
18"	KV183RANO18	KV183LANO18	KV183CANO18
20"	KV183RANO20	KV183LANO20	KV183CANO20

**KV 83 / 183 SERIES STANDARD & BRACKET ACCESSORIES**



**KV 113L/113R Panel Clips**

- Used to attach display and wall panels into vertical position
- Finish: Anochrome
- Packed and sold in 50 per box



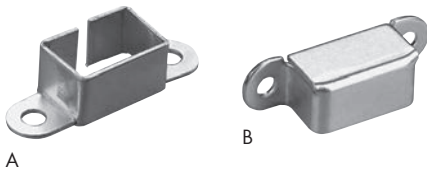
Item #	Description
KV113L	Left-Hand Anochrome Panel Clip
KV113R	Right-Hand Anochrome Panel Clip



**KV 119 Gray Rubber Cushion**

- Packed 100 per box

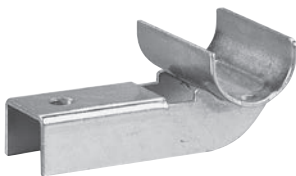
Item #
KV119



**KV 134/135 Sockets**

- Packed 100 per box

	Item #	Description	Sold In
A	KV134-ANO	#83 Standard Bottom Socket	Per Each
B	KV135	#83 Standard Top Socket	Per Each



**KV 191/192 Hang Rod Saddles**

- 191 bolts to 183L & 183R or 185 brackets to hold 1-1/16" O.D. tubing
- 192 bolts to 183L & 183R or 185 brackets to hold 1-5/16" O.D. tubing
- Finish: Anochrome

Item #	Description	Sold In
KV191-ANO	To hold 1-1/16" O.D. tubing	Per Each
KV192	To hold 1-5/16" O.D. tubing	Per Each



**KV 161LL Lock Lever Brackets**

- Finish: Anochrome (ANO)
- Three locking teeth
- Lever lock for extra secure mounting
- Packed 10 per box

Item #	Size
KV161ANO24	24"

**KV 87 / 186 / 187 SERIES SUPER-DUTY STANDARDS & BRACKETS**



Anochrome



White

**KV 87 Series Standards**

- Single slot design
- BHMA Grade 2 Compliant
- Material: 12 gauge steel
- Countersunk screw holes
- Center aligned slots and screw holes
- Dimensions: 7/8"W x 11/16"D x selected height
- Embossed logo to show correct orientation
- Precision cut lengths
- Packed 5 standards per box
- 2" vertical slot adjustability
- Limited lifetime warranty
- Finish: Anochrome (ANO), White (WH)



Length	Anochrome Item #	White Item #
24"	KV87ANO24	KV87WH24
36"	KV87ANO36	KV87WH36
48"	KV87ANO48	KV87WH48
60"	KV87ANO60	KV87WH60
72"	KV87ANO72	KV87WH72
84"	KV87ANO84	KV87WH84
96"	KV87ANO96	KV87WH96



186 Series Anochrome

186 Series White

**KV 186LL and 187LL Series Lock Lever Brackets**

- For use with KV 87 series standards
- Material: 12 gauge steel
- Finish: Anochrome (ANO), White (WH)
- Holds up to 1,060 lbs. per pair of brackets
- Utilizes an easy-to-install unique cam lock that secures bracket to the standard
- Two or three complete locking teeth
- Predrilled holes for mounting 1987 series shelves or attaching shelf rests
- Packed 10 brackets per box



187 Series Anochrome

187 Series White

Length	Anochrome Item #	White Item #
<b>186 Series Brackets</b>		
8"	KV186ANO8	KV186WH8
10"	KV186ANO10	KV186WH10
<b>187 Series Brackets</b>		
12"	KV187ANO12	KV187WH12
14"	KV187ANO14	KV187WH14
16"	KV187ANO16	KV187WH16
18"	KV187ANO18	KV187WH18
20"	KV187ANO20	KV187WH20
22"	KV187ANO22	KV187WH22
24"	KV187ANO24	KV187WH24



## KV 87 / 187 SERIES STANDARD & BRACKET ACCESSORIES



### KV 119 Gray Rubber Cushion

- For use with metal rests
- Recommended for use when supporting glass shelves
- Packed 100 per box

Item #
KV119



### KV 129 Gray Rubber Cushion

- For use with metal and plastic rests
- Recommended for use when supporting glass shelves
- Packed 100 per box

Item #
KV129R



A

### KV Front and Center Rests

- Recommended for use with 186 and 187 series brackets
- For anchoring shelf to brackets
- Packed 100 per box

	Item #	Description
A	KV210	Anochrome End Rest with Screw
	KV210-WH	White End Rest with Screw
B	KV211	Anochrome Center Rest with Screw
	KV211-WH	White Center Rest with Screw
C	KV212	Anochrome Front Rest with Screw
D	KV213-ZC	Zinc Snap-in Center Rest



B



C



D

**KV 85 / 185 SERIES EXTRA-DUTY STANDARDS & BRACKETS**



Anochrome



White

**KV 85 Series Standards**

- Double slot design
- BHMA Grade 2 Compliant
- Material: 16 gauge steel
- Safety lead-in at top of standard
- Countersunk screw holes
- Precision cut lengths
- Dimensions: 1-1/4" wide x 1/2" deep x selected length
- Packed 10 standards per box
- 1" vertical slot adjustability
- Limited lifetime warranty
- Finish: Anochrome (ANO), White (WH)
- Embossed logo to show correct orientation
- Center aligned slots and screw holes



Length	Anochrome Item #	White Item #
24"	KV85ANO24	KV85WH24
36"	KV85ANO36	-
48"	KV85ANO48	KV85WH48
60"	KV85ANO60	KV85WH60
72"	KV85ANO72	KV85WH72
84"	KV85ANO84	KV85WH84
96"	KV85ANO96	KV85WH96



Anochrome



White

**KV 185 Series Brackets**

- For use with KV 85 series standards
- Material: 14 and 16 gauge steel
- Finish: Anochrome (ANO), White (WH)
- Holds up to 680 lbs. per pair of brackets
- Shelf retaining lip on brackets
- Four locking teeth and two lugs for safety and stability
- Shelf fastening screw holes
- Packed 10 brackets per box

Length	Anochrome Item #	White Item #
8"	KV185ANO8	KV185WH8
10"	KV185ANO10	KV185WH10
12"	KV185ANO12	KV185WH12
14"	KV185ANO14	KV185WH14
16"	KV185ANO16	KV185WH16
18"	KV185ANO18	KV185WH18
20"	KV185ANO20	KV185WH20
22"	KV185ANO22	KV185WH22
24"	KV185ANO24	KV185WH24

**KV 85 / 185 SERIES STANDARD & BRACKET ACCESSORIES**



**KV 106 Shelf Rest**

- Used to join two shelves at one bracket
- Finish: Anochrome
- Packed 50 per box



Item #
KV106



**KV 107 Hang Rod Clamp**

- Bolts for 183 and 185 brackets to hold rods securely
- Finish: Anochrome
- Packed and sold in 20 per box

Item #
KV107



**KV 113L/113R Panel Clips**

- Used to attach display and wall panels into vertical position
- Finish: Anochrome
- Packed and sold in 50 per box

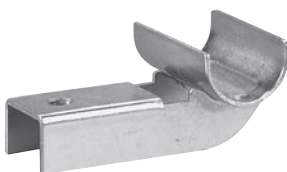
Item #	Description
KV113L	Left-Hand Anochrome Panel Clip
KV113R	Right-Hand Anochrome Panel Clip



**KV 129 Gray Rubber Cushion**

- For use with metal and plastic rests
- Packed 100 per box

Item #
KV129R

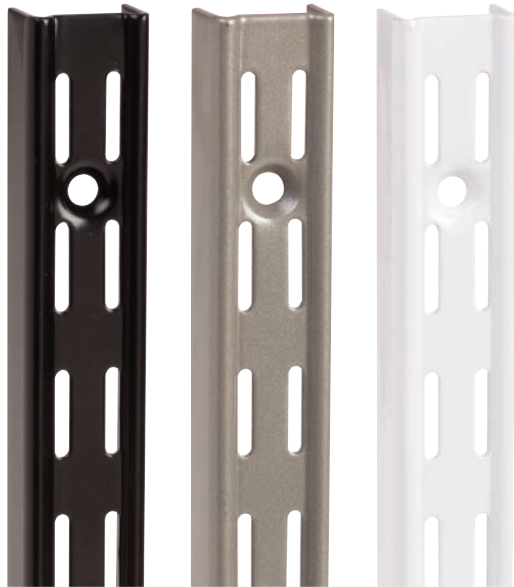


**KV 191/192 Hang Rod Saddles**

- 191 bolts to 183L & 183R or 185 brackets to hold 1-1/16" O.D. tubing
- 192 bolts to 183L & 183R or 185 brackets to hold 1-5/16" O.D. tubing
- Finish: Anochrome

Item #	Description	Sold In
KV191-ANO	To hold 1-1/16" O.D. tubing	Per Each
KV192	To hold 1-5/16" O.D. tubing	10/Box

## KV 82/182 SERIES HEAVY-DUTY STANDARDS & BRACKETS



Black                      Titanium                      White

### KV 82 Series Standards

- Double slot design
- 1-1/4" vertical slot adjustability
- BHMA Grade 2 Compliant
- Limited lifetime warranty
- Dimensions: 1-1/16" W x 11/16" D x selected length
- Material: 14 gauge steel
- Strength enhancing ribs
- Countersunk screw holes
- Embossed "up" and arrow to show correct orientation
- Center aligned slots and screw holes
- Precision cut lengths
- Packed 10 standards per box



Length	Black Item #	Titanium Item #	White Item #
16.5"	-	KV82TI16.5	KV82WH16.5
28"	KV82BLK28	KV82TI28	KV82WH28
39"	KV82BLK39	KV82TI39	KV82WH39
48"	KV82BLK48	KV82TI48	KV82WH48
63"	KV82BLK63	KV82TI63	KV82WH63
78"	KV82BLK78	KV82TI78	KV82WH78
94"	KV82BLK94	KV82TI94	KV82WH94



Black



Titanium



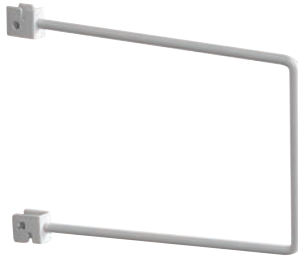
White

### KV 182 Series Brackets

- For use with KV 82 series standards
- Material: 16 gauge steel
- Holds up to 450 lbs. per pair of brackets
- Four complete locking teeth
- Countersunk screw holes to fasten shelves
- Packed 10 brackets per box

Length	Black Item #	Titanium Item #	White Item #
5"	KV182BLK5	-	KV182WH5
7"	KV182BLK7	KV182TI7	KV182WH7
9"	KV182BLK9	KV182TI9	KV182WH9
10.5"	KV182BLK10.5	KV182TI10.5	KV182WH10.5
12.5"	KV182BLK12.5	KV182TI12.5	KV182WH12.5
14.5"	KV182BLK14.5	KV182TI14.5	KV182WH14.5
18.5"	KV182BLK18.5	KV182TI18.5	KV182WH18.5
24"	KV182BLK24	KV182TI24	KV182WH24

**KV 82/182 SERIES STANDARD & BRACKET ACCESSORIES**



**KV 182 Bookend**

- Finish: White (WH)

Length	Item #	Sold In
9"	KV182BE09WH	Per Each
10"	KV182BE10.5WH	Per Each



**KV 82 Screw Pack**

- Finish: Zinc
- Packed 20 bags per box (6 screws + 6 anchors per bag)

Item #
KV82DP-SCREW-ZC



**KV 182 Bracket Lock**

- Finish: Black rubber
- Packed 20 bags per box (6 locks per bag)

Item #	Sold In
KV182LKBK	20/Bag

Visit us at  
[wurthlac.com](http://wurthlac.com)  
 for a complete  
 selection  
 of KV products!





**KV 255 SERIES STEEL AND ALUMINUM PILASTERS**



Almond Brass-look Brown



White Zinc

**KV 255 Series Steel Pilasters**

- Holds up to 500 lbs. per shelf
- 1/2" vertical slot adjustment
- Full finish coverage to deter corrosion
- BHMA Grade 1 Compliant
- Dimensions: 5/8" width x 3/16" deep x selected length
- Material: 23 gauge high strength steel
- 18" - 60" sizes packed 100 standards per carton
- 72 - 96" sizes packed 50 standards per carton



Length	Almond Item #	Brass-Look Item #	Brown Item #	White Item #	Zinc Item #
18"	KV255AL18	KV255BR18	KV255BRN18	-	KV255ZC18
24"	KV255AL24	KV255BR24	KV255BRN24	KV255WH24	KV255ZC24
30"	KV255AL30	-	KV255BRN30	KV255WH30	KV255ZC30
36"	KV255AL36	KV255BR36	KV255BRN36	KV255WH36	KV255ZC36
48"	KV255AL48	KV255BR48	KV255BRN48	KV255WH48	KV255ZC48
60"	KV255AL60	KV255BR60	KV255BRN60	KV255WH60	KV255ZC60
72"	KV255AL72	KV255BR72	KV255BRNZC72	KV255WH72	KV255ZC72
84"	KV255AL84	-	-	KV255WH84	KV255ZC84
96"	KV255AL96	KV255BR96	KV255BRNZC96	KV255WH96	KV255ZC96

**KV 255 Series Aluminum Pilasters**

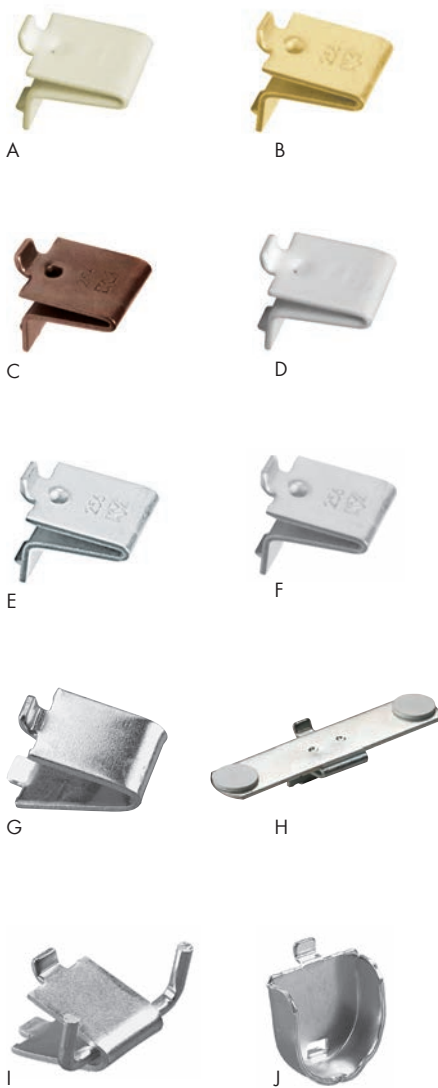
- Holds up to 500 lbs. per shelf
- Material: 17 gauge aluminum
- 18" - 60" sizes packed 100 standards per carton.
- 72 - 96" sizes packed 50 standards per carton



Natural Aluminum Brass-look

Length	Natural Aluminum Item #	Brass-Look Item #
18"	KV255AM18	KV255ALBR18
24"	KV255AM24	KV255AMBR24
30"	KV255AM30	KV255ALBR30
36"	KV255AM36	KV255AMBR36
48"	KV255AM48	KV255ALBR48
60"	KV255AM60	KV255AMBR60
72"	KV255AM72	KV255AMBR72
84"	KV255AM84	-
96"	KV255AM96	KV255AMBR96

**KV 255/256 SERIES SHELF SUPPORTS & ACCESSORIES**



**KV 256 Series Pilaster Shelf Supports**

- For use with 255 series steel and aluminum pilasters
- Material: High strength steel
- Patented design
- Full coverage finish to resist corrosion
- Strength increasing dimple
- \* Use with 255BRN



	Item #	Description	Finish	Sold In
A	KV256-AL	Shelf support	Almond	Per Each
B	KV256-BR	Shelf support	Brass-look	Per Each
	KV256B-BR	Shelf support	Brass-look	1,000
C	KV256-WAL	Shelf support	Walnut*	Per Each
	KV256B-WAL	Shelf support	Walnut*	1,000
D	KV256-WH	Shelf support	White	Per Each
E	KV256-ZC	Shelf support	Zinc	Per Each
	KV256B-ZC	Shelf support	Zinc	1,000/Box
F	KV256AMNAT	Shelf support	Natural Aluminum	Per Each
G	KV239-ZC	Shelf support - Woodwork Institute Acknowledged Product	Zinc	Per Each
H	KV243-ZC	3" shelf bracket (non-handed)	Zinc	Per Each
I	KV244-ANO	Wire shelf support	Zinc	Per Each
J	KV757-ANO	Flange for 1-1/16" OD closet rod	Zinc	Per Each

**Nails for KV 255 Series Pilasters**

- Approximately 650 nails per bag



Item #	Finish	Use with:	Sold In
KVN-AL	Almond	255ALM	5/Bags
KVN-BR	Brass-look	255BR, 255AL BR	1/Bag
KVN-AMWAL	Bronzed	255BRN, 255AL BRN	1/Bag
KVN-WH	White	255WH	1/Bag
KVN-ZC	Zinc	255ZC, 255AL	1/Bag

**KV 233 PILASTERS & ACCESSORIES**



**KV 233 Surface Mount Steel Pilasters**

- Holds up to 500 lb per shelf
- 1/2" vertical slot adjustability
- BHMA Grade 1 Compliant
- Limited lifetime warranty
- Dimensions: 13/16" width x 3/16" deep x selected height
- Material: 23 gauge high-strength steel
- Numbered slots for quick, accurate clip insertion
- Countersunk nail, screw and staple holes
- Full finish coverage to deter corrosion
- Precision cut lengths



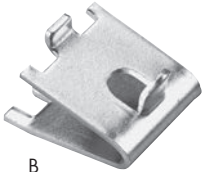
Length	Zinc Item #	Sold In
18"	KV233ZC18	100/Box
36"	KV233ZC36	100/Box
48"	KV233ZC48	100/Box
60"	KV233ZC60	100/Box
72"	KV233ZC72	50/Box
96"	KV233ZC96	50/Box



A

**KV 233 Pilaster Shelf Supports**

	Item #	Description	Finish	Sold In
A	KV237-ZC	Shelf support for 233 pilasters	Zinc	Per Each
B	KV238ANO	Shelf support with locator tab	Zinc	100/Box



B



**Nails for KV 233 Series Pilasters**

- Approximately 650 nails per bag

Item #	Finish	Use with:	Sold In
KVN-BR	Brass-look	233BR	Per Bag
KVN-ZC	Zinc	233ZC	Per Bag

## SHELF BRACKETS



### Rigid Extra Heavy Duty Ultimate L-Bracket

- Load rated at 1,200 lbs. per pair
- Welded steel bracing
- 3/4" steel strut for superior weight capacity
- Often used for countertop installations



Dimensions	Black Item #	White Item #
11.6" x 8"	KV208-12BK	KV208-12WH
15.5" x 10"	KV208-16BK	KV208-16WH
19.5" x 13.1"	KV208-20BK	KV208-20WH
21.4" x 14.2"	KV208-22BK	KV208-22WH



### Folding Shelf Bracket, Heavy Duty

- Locks in at 4 positions (Flat, 70°, 80°, 90°)
- Spring loaded to automatically lock
- Front locking lever makes releasing easy

Item #	Size	Finish	Load Rating
KV206L-12	11.81"D x 7.87"H x 1.18"W	Zinc	750 lbs per pair
KV206L-16	15.75"D x 10.63"H x 1.42"W	Zinc	880 lbs per pair



	Item #	Size	Finish	Gauge	Load Rating Per Pair	Shelf Depth	Shelf Platform	Accepts Rod Size Up To	Hook Depth	Sold In
A	KV1194WH	12.125"D x 9.625"H x 1.0"W	White	13	500 Lbs.	11" - 14"	10-1/4" - 10-3/4"	1-3/8"	3"H	Per Each
	KV1194CR	12.125"D x 9.625"H x 1.0"W	Cream	13	500 Lbs.	11" - 14"	10-1/4" - 10-3/4"	1-3/8"	3"H	Per Each
B	KV1195	12.5"D x 9.125"H x 0.937"W	White	12	500 Lbs.	11" - 14"	11"	1-3/8"	2-1/2"H	Per Each
	KV1195CR	12.5"D x 9.125"H x 0.937"W	Cream	12	500 Lbs.	11" - 14"	11"	1-3/8"	2-1/2"H	Per Each

**ROUND CLOSET TUBING**



**1-1/16" Diameter Round Chrome Tubing**

- Wall thickness of .075"
- Chrome Look finish



Item #	Length
KV750-1-72	6 ft.
KV750-1-96	8 ft.
KV750-1-120	10 ft.
KV750-1-144	12 ft.



**1-1/16" Diameter Round Tubing  
Heavy Duty, Stainless Steel**

- .087" (2.2mm) wall thickness
- Stainless steel skin over steel

Item #	Length
KV660-72	6 ft.
KV660-96	8 ft.
KV660-120	10 ft.
KV660-144	12 ft.



**1-1/16" Diameter Round Tubing  
Extra Heavy Duty, Thick Wall Tubing**

- Chrome Look finish
- Extra thick wall thickness of .106"

Item #	Length
KV770-1-72	6 ft.
KV770-1-96	8 ft.



**1-1/16" Dia. Flange, Round Open & Closed Style**

- For 1-1/16" OD tubing
- Made of steel
- Screw holes 2" on center, screws included

Item #	Flange Type	Finish
KV734	Closed	Chrome-look
KV735	Open	



**1-1/16" Dia. Chrome Flange, Open w/Pins**

- For 1-1/16" OD tubing
- 2 pins 32mm on center for 5mm bore holes
- 1 hole for screw mount, screws included

Item #	Finish
KV632CH	Chrome Look



## ROUND CLOSET TUBING



### 1-5/16" Diameter Round Chrome Tubing

- Wall thickness: .075"
- Available in four lengths
- Made of steel, Chrome Look finish

Length	Item #
6 ft.	KV770-5-72
8 ft.	KV770-5-96

Length	Item #
10 ft.	KV770-5-120
12 ft.	KV770-5-144

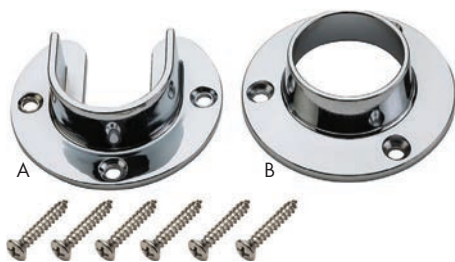


### 1-5/16" Diameter Round Chrome Tubing Heavy Duty, Thick Wall

- Extra wall thickness of 1.06"
- Available in four lengths
- Steel construction

Length	Item #
6 ft.	KV750-5-72
8 ft.	KV750-5-96

Length	Item #
10 ft.	KV750-5-120
12 ft.	KV750-5-144



### 1-5/16" Dia. Chrome Flanges, Open & Closed

- For 1-5/16" tubing
- Chrome look finish
- Includes screws

	Item #	Type	Holes
A	KV766	Open	2-Holes on 2-1/4" centers, on at 90°
B	KV764	Closed	3-Holes spaced 1-1/8" from center



### Closet Tubing, Round End Caps

- Anochrome finish

Item #	Description
KV730	Fits KV# 660 Tubing
KV731ANO	Fits tubing with 1-1/16" OD
KV732	Fits tubing with 1-5/16" OD

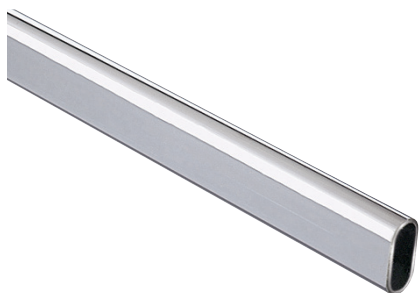


### Closet Rod Center Support Hanger for 2" Diameter Rods

- Use for additional center support on closet rods up to 2" diameter
- Anochrome finish, screws included

Item #	Sold In
KV29201ANO	12/Box

**OVAL CLOSET TUBING**



**Oval Chrome Tubing , 30mm x 15mm Heavy Duty, Steel**

Wall Thickness .047"

- Constructed of steel with a heavy gauge welded seam
- Chrome Look finish



Item #	Length
KV880-96CH	8 ft.
KV880-144CH	12 ft.



**Oval Chrome Flanges, 30mm x 15mm Open Style With Dual Pins**

- For use with KV880 Series or other 30mm x 15mm oval tubing
- Designed with 1 hole for extra mounting strength; two 5mm pins for use in 32mm systems
- Chrome Look finish

Item #	Finish
KV881CHR	Chrome

**Visit us at [wurthlac.com](http://wurthlac.com) for a complete selection of KV products!**



## SHELF SUPPORTS



### Spoon Shaped Shelf Support, 5mm Bore

- Pin Length: 5/16" (8mm)
- Shelf Rest: 5/16" (8mm) wide x 7/16" (11mm) long
- Sold In: Full Box Quantities



Item #	Description	Finish	Sold In
KV332-ANO	5mm Spoon Shaped Shelf Support	Anochrome	1,000



### Spoon Shaped Shelf Support, 1/4" Bore

- For 1/4" hole
- Pin Length: 3/8" (9mm)
- Shelf Rest: 3/8" (9mm) wide x 1/2" (13mm) long
- Sold In: Full Box Quantities

Item #	Description	Finish	Sold In
KV331-ANO	1/4" Spoon Shaped Shelf Support	Anochrome	1,000



### "L" Shaped Metal Shelf Pins 1/4" Bore

- Pin length: 3/8" (9mm)
- Shelf Rest: 1/2" (9mm) wide x 11/16" (17mm) long

Item #	Finish	Sold In
KV346	Anochrome	Per Each
KV346BR	Brass Look	Per Each
KV346WAL	Walnut	Per Each



### "L" Shaped Brass Shelf Support 5mm Bore

- Pin Diameter: 4.7mm, for 5mm hole (use with KV129 rubber cushion)
- Pin Length: 5/16" (8mm)
- Dimensions: 1/2" (13mm) wide x 11/16" (17mm) long

Item #	Finish	Sold In
KV345NP	Nickel	Per Each
KV345WAL	Walnut	Per Each

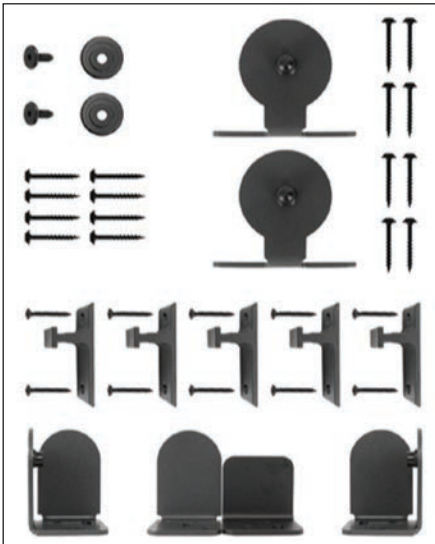


### "L" Shaped Steel Shelf Support With Vinyl Tip, 5mm Bore

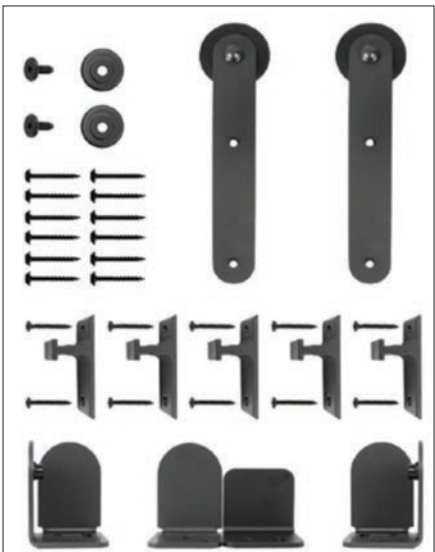
- Pin length is 5/16" (8mm)
- Shelf support is 1/2" (13mm) wide x 11/16" (17mm) long

Item #	Support Finish	Vinyl Tip Color	Sold In
KV348BN	Brass	Brown	Per Each
KV348WH	Brass	White	Per Each
KV348-AL	Brass	Almond	Per Each

## BARN DOOR HARDWARE



A



B



C

### Barn Door Hardware Kits

- Top Mount and Face Mount Kits
- Complete, easy-to-install kits include carriers, stops, guide and all fasteners
- Aluminum round rails sold separately (below)
- All tracks, rails, and components fabricated from sleek, durable, powder-coated aluminum
- Supports doors up to 250 lbs.
- Black Finish



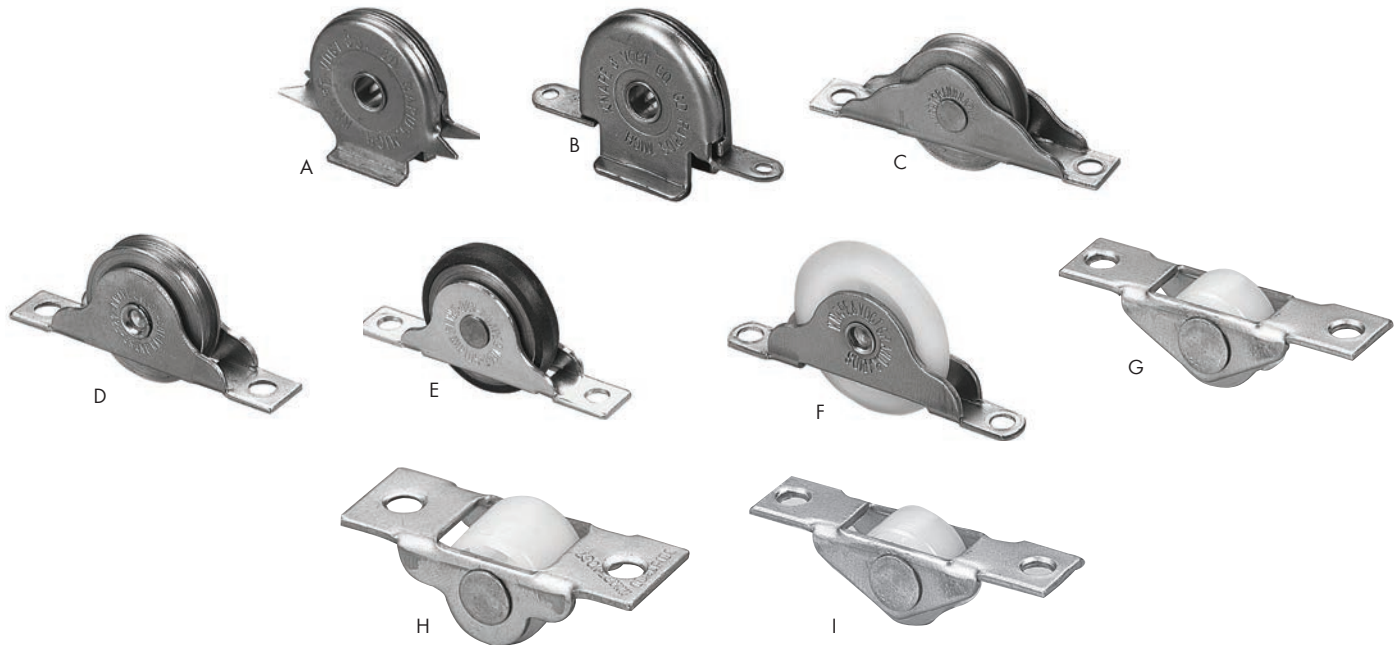
	Item #	Description	Kit Includes
<b>Barn Door Hardware Kits (Round Rail Sold Separately Below)</b>			
A	KVRT-TMBK-06	Monte Carlo Series, Top Mount, Black Finish (Round Rail Sold Separately Below)	(2) Carriers, (1) Floor Guide Set, (2) Door Stops, (5) Brackets, (1) End Stop Kit & Fasteners
B	KVRT-STBK-06	Macau Series, Face Mount, Black Finish (Round Rail Sold Separately Below)	(2) Carriers, (1) Floor Guide Set, (2) Door Stops, (5) Brackets, (1) End Stop Kit & Fasteners
<b>Aluminum Round Rail</b>			
C	KVRTBK-06-A	72" Aluminum Round Rail, Black Finish	
	KVRTBK-08-A	96" Aluminum Round Rail, Black Finish	



## SHEAVES & ROLLERS

### Steel Enclosed & Open Wheel Sheaves

- Sheaves and rollers do not include screws



Item #	Overall Dimensions	Description	Used with KV Steel Track #	Fasteners To Use	Sold In
<b>Enclosed Steel Sheaves (Screws Not Included)</b>					
A	KV400A-STL 5/16"W x 1-1/4"H x 2"L	Heavy Doors, Ball Bearing Wheel	KV455 or KV469	-	Per Each
B	KV402STL 5/16"W x 1-1/4"H x 2-1/4"L	Heavy Doors, Ball Bearing Wheel	KV455 or KV469	#3 Flathead	100/Box
	KV582STL 5/16"W x 1-1/4"H x 2-1/4"L	Light Doors, Nylon Wheel	KV455 or KV469	Wood Screws	100/Box
<b>Open Wheel Steel Sheaves (Screws Not Included)</b>					
C	KV427STL 1/2"W x 2-15/16"H, 1-3/16"Dia. Wheel	Standard Doors, Ball Bearing Round Groove Wheel	KV455 or KV469	#6 Flathead Wood Screw	Per Each
D	KV429STL 3/8"W x 2-1/4"H, 1"Dia. Wheel	Standard Doors, Round Groove Wheel	KV455 or KV469	#4 Flathead Wood Screw	Per Each
E	KV430-STL 1/2"W x 2-3/4"H, 1-3/8"Dia. Wheel	Standard Doors, Ball Bearing, Round Groove Wheel	KV455 or KV469	#6 Flathead Wood Screw	Per Each
F	KV592STL 2-1/4"W x 9/32"H, 1-3/16"Dia. Wheel	Thin Doors, Nylon Convex Wheel	KV455	#3 Flathead Wood Screw	Per Each
<b>Steel Roller (Screws not included)</b>					
G	KV420-STL 7/16"W x 1-7/8"L	Nylon roller: 9/16" Dia. X 5/16" Wide	KV455 or KV469	#5 Flathead Wood Screw	Per Each
H	KV422-STL 5/8"W x 1-13/16"L	Nylon roller: 9/16" Dia. X 1/2" Wide	KV455 or KV469	#5 Flathead Wood Screw	Per Each
I	KV423-STL 5/8"W x 1-13/16"L	Nylon roller: 5/8" Dia. X 1/2" Wide	KV455 or KV469	#5 Flathead Wood Screw	Per Each



## SLIDING DOOR TRACKS

### Steel Tracks/Guide

- Sold In: 1 Each



Steel Tracks & Guide					
	Item #	Overall Dimensions	Description	Fasteners Included	Finish
A	KV455STL144	21/32"W x 5/16"H x 144"	12' Single Lower Track	1/2" Nails	Steel
B	KV455-144SS	21/32"W x 19/64"H x 144"L	12' Single Lower Track	1/2" Nails	Stainless Steel
C	KV469ZC144	1"W x 1/4"H x 144"L	12' Double Lower Track	1/2" x #5 Screws	Zinc
D	KV953ZC144	5/8"W x 5/8"H x 144"L	12' Top Door Divider, Upper T-Guide separates sliding door at top	-	Pre-Coated Steel



### Roll-Ezy Aluminum Track System

- Designed for Small to Medium Glass Doors
- Kit Includes: (1) 1093 Upper Channel, (4) 1097 Rollers, (4) 1085 Vinyl Guides, (2) 1095 Shoes, & (1) 1099 Lower Track
- Designed for 1/4" thick glass door
- Installation Notes & Recommendations: KV does not recommend butt-joints and/or openings longer than 12 feet.
- Sold In: 1 Each Kit

Item #	Description
KV1092ANO-36	36" Length Small to Medium Glass Door Track Assembly Kit
KV1092ANO-48	48" Length Small to Medium Glass Door Track Assembly Kit
KV1092ANO-60	60" Length Small to Medium Glass Door Track Assembly Kit
KV1092ANO-72	72" Length Small to Medium Glass Door Track Assembly Kit

## SLIDING DOOR TRACKS



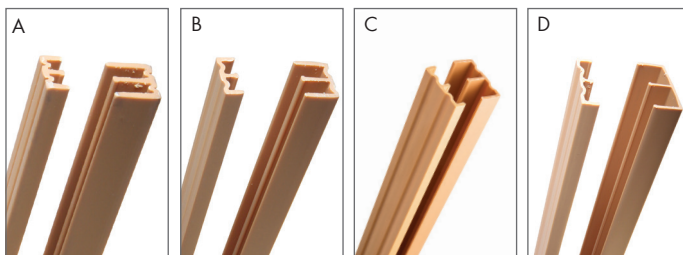
### Large Sliding Glass Door Ball Bearing Hardware Sets & Components For By-Passing Doors, Double Tracks



KNAPE & VOGT

- High quality ball bearing movement
- Available in hardware sets or individual components
- Hardware Set (for two glass doors) includes: (1) upper channel, (2) shoes, (2) ball bearing carriers and (1) lower track
- All hardware is made of steel with a zinc finish
- Zinc plated steel with full ball bearing carriers make this unit ideal for larger 1/4" two glass door installations
- Glass should be cut 1-1/4" shorter than height of opening, easily cut to fit any width opening
- KV does not recommend butt-joints and/or openings longer than 12 feet and that the height to length ratio for glass doors should not exceed 2:1

Item #	Length	Description	Finish
<b>Sliding Glass Door Steel Hardware Sets</b>			
KV992-48	48"	(1)KV993 Upper Channel, (2)KV995 Shoe, (2)KV997 Carrier & (1)KV999 Lower Track	Zinc
KV992-60	60"	(1)KV993 Upper Channel, (2)KV995 Shoe, (2)KV997 Carrier & (1)KV999 Lower Track	Zinc
KV992-72	72"	(1)KV993 Upper Channel, (2)KV995 Shoe, (2)KV997 Carrier & (1)KV999 Lower Track	Zinc
<b>Sliding Glass Door Steel Hardware Components</b>			
KV993-144	144"	15/16"W x 5/8"H, Upper Channel	Zinc
KV995-144	144"	7/16"H, Shoe for 1/4" glass, bottom curved for free rolling position on ball bearings	Zinc
KV997-144	144"	Ball Bearing Carrier has free rolling balls on 3" centers	Zinc
KV999-144	144"	1"W x 1"H, Lower Track, Balls ride freely on curved anvil with no contact against sides	Zinc



### Plastic Tracks For By-Passing Doors Dual Tracks

- All tracks made of plastic, Tan color
- Set includes: matching (1) piece of upper guide and (1) piece of lower track

	Item #	Upper Guide Dimensions	Lower Track Dimensions	Description
<b>Designed for Doors with a Thickness of 1/8"</b>				
A	KVP2413-TAN-48	5/8"W x 9/16"H x 48"L	5/8"W x 5/16"H x 48"L	(1)Upper Guide & (1)Lower Track
	KVP2413-TAN-72	5/8"W x 9/16"H x 72"L	5/8"W x 5/16"H x 72"L	(1)Upper Guide & (1)Lower Track
<b>Designed for Doors with a Thickness of 1/4"</b>				
B	KV2417-48T	13/16"W x 9/16"H x 48"L	13/16"W x 1/4"H x 48"L	(1)Upper Guide & (1)Lower Track
	KV2417-72T	13/16"W x 9/16"H x 72"L	13/16"W x 1/4"H x 72"L	(1)Upper Guide & (1)Lower Track
<b>Designed for Doors with a Thickness of 1/2"</b>				
C	KVP2421-TAN-48	1-3/8"W x 1/2"H x 48"L	1-3/8"W x 5/16"H x 48"L	(1)Upper Guide & (1)Lower Track
	KV2421-72T	1-3/8"W x 1/2"H x 72"L	1-3/8"W x 5/16"H x 72"L	(1)Upper Guide & (1)Lower Track
<b>Designed for Doors with a Thickness of 3/4"</b>				
D	KVP2419-TAN-48	1-15/16"W x 13/16"H x 48"L	1-15/16"W x 3/8"H x 48"L	(1)Upper Guide & (1)Lower Track
	KVP2419-72T	1-15/16"W x 13/16"H x 72"L	1-15/16"W x 3/8"H x 72"L	(1)Upper Guide & (1)Lower Track

**WASTE BIN PULL-OUTS**



**USC Series Single & Double Trash Pull-Outs**

- Features an aluminum/polymer carriage with solid bottom and backsplash
- Solid bottom and backsplash prevent debris from falling below/behind pull-out
- Full-Extension Soft-Close Slides
- 100 Lb. Weight Rating
- Includes aluminum/polymer carriage, slides, trash bin(s), and door mounting brackets



Item #	Description	Product Dimensions
<b>Single Bin Trash Pull-Outs with Soft-Close Slides</b>		
KVUSC12-1-35PT	Single 35QT, Trash Pull-Out, Platinum Bin	11-13/16"W x 22-7/16"D x 19-3/16"H
KVUSC12-1-35WH	Single 35QT, Trash Pull-Out, White Bin	11-13/16"W x 22-7/16"D x 19-3/16"H
KVUSC12-1-50PT	Single 50QT, Trash Pull-Out, Platinum Bin	11-13/16"W x 22-7/16"D x 23-1/4"H
KVUSC12-1-50WH	Single 50QT, Trash Pull-Out, White Bin	11-13/16"W x 22-7/16"D x 23-1/4"H
<b>Double Bin Trash Pull-Outs with Soft-Close Slides</b>		
KVUSC15-2-35PT	Double 35QT, Trash Pull-Out, Platinum Bins	14-13/16"W x 22-7/16"D x 19-3/16"H
KVUSC15-2-35WH	Double 35QT, Trash Pull-Out, White Bins	14-13/16"W x 22-7/16"D x 19-3/16"H
KVUSC18-2-50PT	Double 50QT, Trash Pull-Out, Platinum Bins	15-3/8"W x 23-1/4"D x 22-7/16"H
KVUSC18-2-50WH	Double 50QT, Trash Pull-Out, White Bins	15-3/8"W x 23-1/4"D x 22-7/16"H



**WUSC Series Double Trash Pull-Outs**

- Features a wood carriage
- Full-Extension Soft-Close Slides
- 100 Lb. Weight Rating
- Includes wood carriage, slides, trash bins, and door mounting brackets

Item #	Description	Product Dimensions
KVWUSC15-2-35PT	Double 35QT, Trash Pull-Out, Platinum Bins	14-5/8"W x 22-3/8"D x 19-5/8"H
KVWUSC15-2-35WH	Double 35QT, Trash Pull-Out, White Bins	14-5/8"W x 22-3/8"D x 19-5/8"H



**SCB Series Double Trash Pull-Outs**

- Features a metal wire carriage
- 1" Over-Travel Ball Bearing Soft-Close Slide
- 80 Lb. Weight Rating (30Lb. Max Per Bin)
- Includes wood carriage, slides, and trash bins

Item #	Description	Product Dimensions
KVSCB15-2-35PT	Double 35QT, Trash Pull-Out, Platinum Bins	14-3/8"W x 23-1/8"D x 18-13/16"H
KVSCB15-2-35WH	Double 35QT, Trash Pull-Out, White Bins	14-3/8"W x 23-1/8"D x 18-13/16"H
KVPDMKTPT	Door Mount Kit, Frosted Nickel Finish	

**REPLACEMENT WASTE BINS**

**Plastic Waste Bins, Lids & Door Mount Kits**



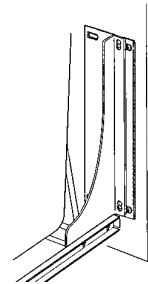
A



B



C



NOTE: These lids will add to the height of the waste containers. It is recommended adding 3/4" of height to the product you are using. Take this into account when measuring your cabinet.

**Replacement Plastic Waste Bins**

	<b>Platinum Item #</b>	<b>White Item #</b>	<b>Bin Size</b>	<b>Bin Capacity</b>	<b>Sold In</b>
A	KVQT20PB-PT	KVQT20PB-WH	14-15/16"W x 7-1/4"D x 16"H	20 qt.	6
	KVQT27PB-PT	KVQT27PB-WH	11-7/16"W x 11-7/16"D x 17-3/4"H	27 qt.	1
	KVQT35PB-PT	KVQT35PB-WH	14-15/16"W x 9-5/16"D x 17-1/2"H	35 qt.	6
	KVQT50PB-P	KVQT50PB-W	15-3/8"W x 11-1/8"D x 21-5/8"H	50 qt.	8

**Lids**

	<b>Platinum Item #</b>	<b>White Item #</b>	<b>Lid Size</b>	<b>Fits Bin Size</b>	<b>Sold In</b>
B	KVQT20LBPT	KVQT20LB-WH	14-1/2"W x 7-7/16"D x 3/4"H	20 qt.	1
	KVQT35LB-PT	KVQT35LB-WH	14-1/2"W x 9-9/16"D x 3/4"H	35 qt.	1

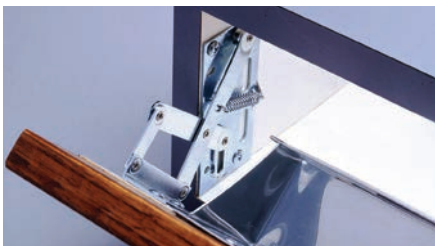
**Heavy Duty Door Mount Kits Only - PSW Series**

	<b>Item #</b>	<b>Kit Includes</b>	<b>Finish</b>	<b>Sold In</b>
C	KVPDMKTPT	Instructions and hardware	Frosted Nickel	1

**TIP-OUT TRAYS & LAZY SUSANS**



A - Tip-Out Tray, No Tabs



B - Scissor Hinge



C - Euro Hinge

**Individual Tip-Out Tray Packs**

- White plastic sink tip-out trays and hinges
- Depths: Slim (1-5/8"), Standard (2") and (2-3/4")
- Sizes range from 8-5/8" to 30-1/4"W
- Sink Tip-Out Hinges sold separately below



	Item #	Dimensions	Description	Sold In
A	KVPSF11PF-WH	11"L x 1-5/8"D x 3"H	Slim Depth, No Tab Stops	10 Each
	KVPSF14PF-WH	14"L x 1-5/8"D x 3"H	Slim Depth, No Tab Stops	10 Each
	KVPSF8.62W	8-5/8"L x 2"D x 3"H	Std. Depth, No Tab Stops	1 Each
	KVPSF11W	11"L x 2"D x 3"H	Std. Depth, No Tab Stops	1 Each
	KVPSF2425W	24-1/4"L x 2"D x 3"H	Std. Depth, No Tab Stops	1 Each
	KVPSF3025W	30-1/4"L x 2"D x 3"H	Std. Depth, No Tab Stops	1 Each

	Item #	Dimensions	Packaging	Color	Sold In
B	KV-SH	2-7/8"W x 1-7/8"D x 3-13/16"H	Pair of 40° Scissor Hinges	Nickel Plated	1 Pair
C	KVETHNI	2-7/8"W x 2-1/4"D x 3-3/4"H	Pair of 45° Euro Hinges	Nickel Plated	10 Pair



**Kidney-Shaped Plastic Lazy Susans, Premium Two Shelf Sets**

- Independently Rotating
- Double wall polymer and sturdy rib construction for maximum strength
- Shelf lip is 1" high
- Two shelf sets have a post height range of 25-1/2" - 31-1/2"
- Standard pack includes shelves, one post and installation hardware

Item #	Description	Shelf Size
KVPKN18ST-W	Two Shelf Set w/Hardware	18" Dia.
KVPKS24WH	Two Shelf Set w/Hardware	24" Dia.
KVPKS28WH	Two Shelf Set w/Hardware	28" Dia.
KVPKNS32WH	Two Shelf Set w/Hardware	32" Dia.



**LAZY SUSANS**



**Full Circle Lazy Susans,  
Independent Rotating, Plastic  
Two & Three Shelf Sets**



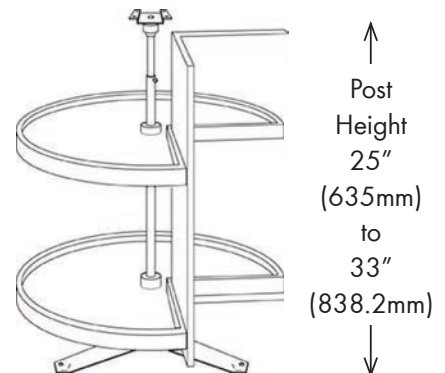
- Made of double wall White polymer and sturdy rib construction for maximum strength
- Shelf lip is 1" high
- Two shelf sets have a post height range of 25-1/2" - 31-1/2"
- Three shelf sets have a post height range of 35-1/2" - 40-1/4"
- Pack includes shelves, one post, installation template and hardware

	Item #	Description	Shelf Size
A	KVPFR18WH	Two Shelf Set w/Hardware	18" Dia.
	KVPFR20WH	Two Shelf Set w/Hardware	20" Dia.
	KVPFR28WH	Two Shelf Set w/Hardware	28" Dia.
	KVPFR32WH	Two Shelf Set w/Hardware	32" Dia.
B	KVPFR18WH3	Three Shelf Set w/Hardware	18" Dia.
	KVPFR20S3TWH	Three Shelf Set w/Hardware	20" Dia.



**Pie-Cut Shaped Plastic Lazy Susans,  
Premium Two Shelf Sets**

- Made of double wall polymer and sturdy rib construction
- Dependently Rotating, Door Mounted
- Shelf lip is 1" high
- Shelves available in white
- Two shelf sets have a post height range for interior cabinet heights of 25" to 33"
- Pack includes: (2) Shelves, (1) Telescoping Shaft, installation template and hardware



Item #	Description	Shelf Size
KVPPN24SW	Two Shelf Set, w/Hardware	24" Dia.
KVPPN28SW	Two Shelf Set, w/Hardware	28" Dia.



**TITE - JOINT, SPECIALTY LOCKS, DESK TOP FASTENERS & STAYS**



**Economy Tite-Joint (Dog Bone) Fasteners**

- Hex head
- Ideal for field joints in countertops
- Steel, bright zinc plated
- Sold by the box

Item #	Bolt Size	Box Qty
KV513ZC	4"	100



**Deluxe Tite-Joint (Dog Bone) Fasteners**

- Designed for 3/4" thick substrate
- Center to center 2" to 3-1/2"



Item #	Description	Box Qty	Sold in Multiples of
KV516/25	Complete Tite Joint	25	1 each
KV516/100	Complete Tite Joint	100	100 each



**By-Passing (Sliding) Door Lock For Doors up to 1" Thick**

- All keyed alike
- Changes are available Special Order
- Keyed: Alike

Item #	Finish
KV984KA	Bright Nickel



**Drawer Locks**

- Mounting flange: 1-1/2" x 2" wide with screw holes on 1-7/16" centers
  - Barrel OD: 7/8" / Bolt travel: 3/8"
  - Keyed: Alike
- Sold In: 1 Each

Item #	Description	Finish
KV986NP	Mounts to material up to 7/8" thick	Nickel



KV1548-ZC

**Desk Top Fasteners**

- For mounting tops to legs or table bases
- Screws not included
- Size: 1-1/4"L x 3/4"W

Item #	Gauge Steel	Finish
KV1547-STL	12	Steel
KV1548-ZC	18	Zinc



KV1547-STL



**Aluminum Door Latches**

- For one way swinging gates
- Reversible for either right or left hand operation
- Material: Aluminum
- Finish: Aluminum

Item #	Dimensions	Box Qty
KV989-AL	2-3/8"W x 2"H	12



**Drop Lid Support**

- A hinged lid support with a "snap-lock" in the fully open position
- Handed and sold by the pair
- Screws included

Item #	Length	Made of	Finish	Sold In
KV472-6	6"	Steel	Nickel Plated	Per Pair
KV472-10	10"	Steel	Nickel Plated	Per Pair





BARN DOOR HARDWARE



CLOSET RODS & FLANGES



BRACKETS



# WÜRTH LOUIS AND COMPANY KNAPE & VOGT CATALOG

## Würth Louis and Company

895 Columbia Street  
Brea, CA 92821  
(714) 529-1771  
(800) 422-4389  
Fax: (800) 446-9452  
www.wurthlac.com

LP1673

## Other locations:

Anaheim, CA  
Benton, AR  
Boise, ID  
Denver, CO  
Grand Prairie, TX  
Houston, TX

Idaho Falls, ID  
Lacey, WA  
Las Vegas, NV  
Oklahoma City, OK  
Phoenix, AZ  
Portland, OR

Post Falls, ID  
Salt Lake City, UT  
San Antonio, TX  
San Marcos, CA  
St. George, UT  
West Jordan, UT