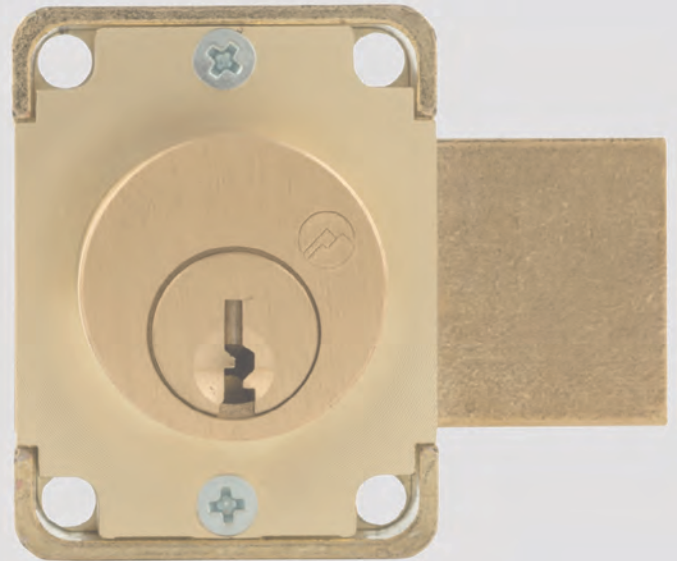




Würth Louis and Company

OLYMPUS LOCK

CATALOG



OLYMPUS
LOCK INC

TABLE OF CONTENTS:

Lock Overview.....	2-3
Disc Tumbler Cam Locks	4-5
Disc Tumbler Lock Accessories	6
Padlockable Cam Locks	7
Pin Tumbler Cam Locks	8-9
Pin Tumbler Deadbolt Locks.....	10
Pin Tumbler Bodies - No Core	11-12
Pin Tumbler Lock Accessories	13-15
Elbow Catch	16

Olympus Lock manufactures institutional grade cabinet locks that reflect the Company's culture of design and ingenuity. By incorporating feedback from locksmiths at airports, casinos, schools, and hospitals, Olympus engineered its products to be both durable and easy to work with, making it the preferred choice of institutional locksmiths. The Company has been around for over three decades, is still family owned and operated, and boasts industry leading ship times.

Why Olympus Lock?

- **Speed** is **KEY** - 98% of orders ship within 24-48 hours, over 350,000 locks on the floor!
- **Versatility** is **KEY** - all locks are rekeyable in 4 minutes or less!
- **Quality** is **KEY** - tested to ANSI/BHMA standards where applicable!
- **Innovation** is **KEY** - over 22 North American patents, always improving or adding features, no "me-too's"!
- **Security** is **KEY** - Complex masterkeying beyond grandmaster is available on pin tumbler locks!
- **Support** is **KEY** - factory direct assistance and submittal samples always available!
- **Order History** is **KEY** - need to add on to a job? Electronic key records are kept for all specialty orders!

Disc Tumbler or Pin Tumbler – Which to Use?



DISC TUMBLER

- Low/medium security
- Basic/limited key systems (only single level master keying)
- Less durable (shorter life cycle)
- Less expensive



PIN TUMBLER

- Higher security
- More Users (more complex key systems)
- More access control (more layers of keying - example: great grand master or inverted master keying (called "Maison Keying"))
- More durable (typically ANSI/BHMA Grade 1 or 2... greater resistance to failure, tampering, intrusion, and wear)
- More expensive

KEYING - HOW TO DETERMINE KEYING?

1. **Keyed Different (KD):**

All locks ordered will have a different key number; each set of keys will only work with the lock it was supplied with. When ordering Keyed Different (KD) locks from our stock you do not need to choose a key number nor will you be able to specify a key number. The only way to specify certain key numbers is through Special Order. An example of an item number for keyed different lock is OL953-KD-14A. The KD in the part number denotes every lock you receive will have a different key number; **Master keys will not work on these locks.**

2. **Keyed Alike (KA):**

All locks in the item number will have the same key number. Each set of keys will work with ALL locks ordered with the same key number. An example of an item number for keyed different lock is OL953-C415A-14A. The C415A in the part number denotes every lock you receive will have the same key number (415). **Master keys will not work on these locks.**

3. **Keyed Different, Master Keyed (KDMKD):**

All locks in the item number will have a different key number. Each set of keys will only work with the lock it was supplied with. A Master Key (sold separately) will open all locks ordered. An example of an item number for keyed different lock is OL953-KDMK-14A. The KDMK in the item number denotes every lock you receive will have a different key number, **a Master Key will open them all.** Remember, it is the lock that allows a master key to work, not the key itself.

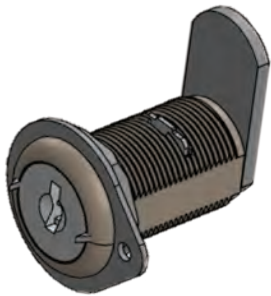
4. **Keyed Alike, Master Keyed (KAMK) - Special Order Only:**

Used when locks are required to be keyed alike within groups and a different key number is required for each group. **A Master Key (sold separately) will open all locks ordered.**

NOTE on Special Order MK Locks:

Pin Tumbler Locks will ship with 2 free Master Keys
Disc Tumbler Locks, Master Keys are ordered separately

CASCADE DISC TUMBLER LOCK OVERVIEW



Purpose built to solve our customers' needs

- Passed ANSI/BHMA Grade 2 cycle test: 20,000 cycles including key insertion and removal
- Shipped with cylinder and body assembled via patented retainer staple. Keys are not required for assembly
- Spur washer with eyelet. When screwed into place, the spur washer prevents lock rotation and keeps fixing nut from loosening after installation
- Revolutionary cylinder + cylinder extender allows cylinders to easily be swapped between different size cam lock bodies increasing inventory and keying flexibility
- Custom keying typically ships direct from mfr in 48-72 hours
- No "keyed to schedule" up charge



CASCADE DISC TUMBLER CAM LOCKS



90° Cam Turn, Flush or Lipped/Overlay Construction

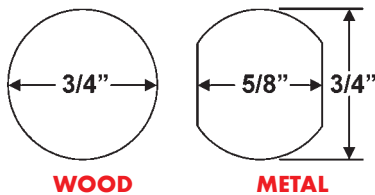
- For drawers, right-hand or left-hand doors
 - Lipped/overlay construction (1-1/2" straight cam) or flush construction (1-1/8" extension, 1 1/32" offset cam)
 - For overlay application, the combined thickness of front and frame cannot exceed the cylinder length listed below
 - Key removable in both locked and unlocked positions
 - Includes: 2 keys, 2 cams, eyelet spur washer, fixing nut, trim ring, cam screw with star washer, and retainer staple
 - **Stock Keying is specified on next page**
 KA = All Keyed Alike to key number specified, master key will not work on these locks
 KD = All Keyed Different, various lock numbers, master key will not work on these locks
 KDMK = All Keyed Different and master keyed, master key will work on these locks
 - Other key changes available from Olympus via Special Order
- Packing: 15 locks per box. Available any quantity.

For item numbers, see table on next page

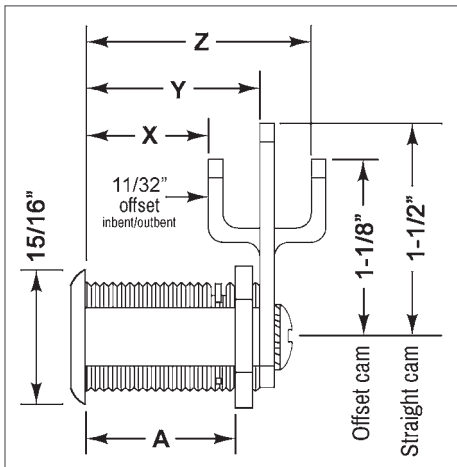
CASCADE DISC TUMBLER CAM LOCKS

LOCKS COME ASSEMBLED!

Cylinder Mounting Holes



WOOD
METAL
Eyelet spur washer to be used wood applications only.

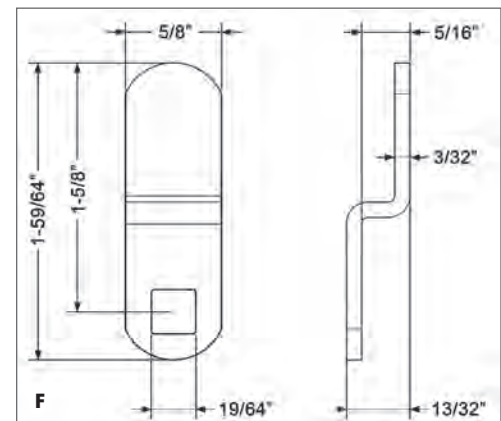
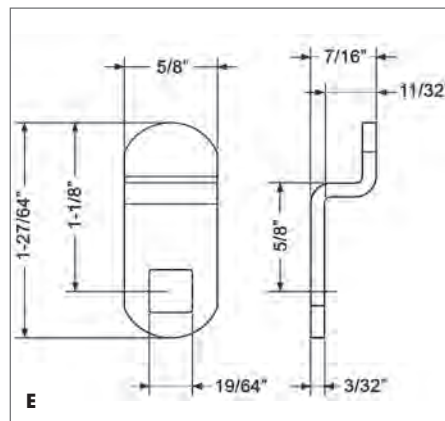
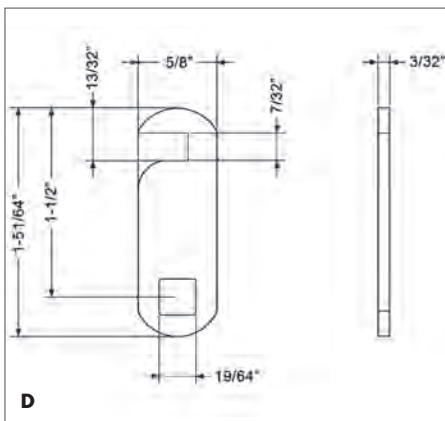
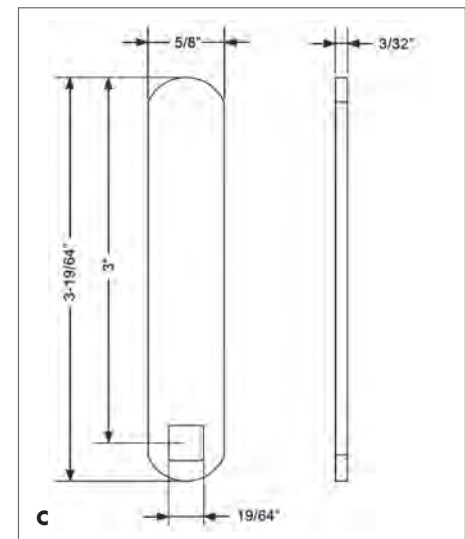
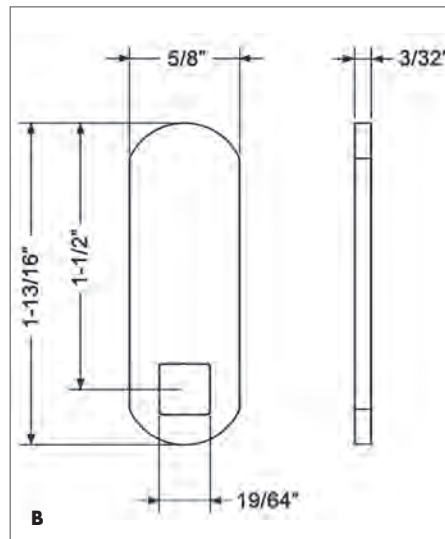
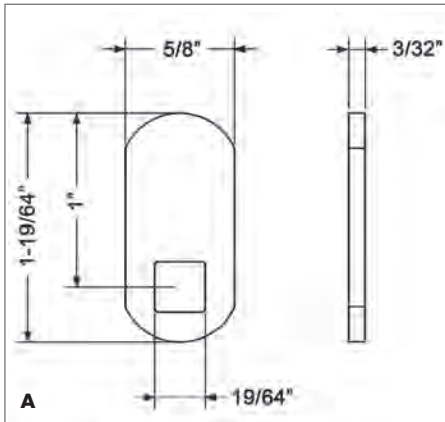


Item	Cylinder Length/ Straight Cam (Y)	Max. Mat. Thickness (A)	Inbent Cam (X)	Outbent Cam (Z)
954	15/16"	5/8"	19/32"	1-9/32"
953	1-3/16"	7/8"	27/32"	1-17/32"
955	1-7/16"	1-1/8"	1-3/32"	1-25/32"
960	1-3/4"	1-7/16"	1-13/32"	2-3/32"
961	2"	1-13/16"	1-21/32"	2-11/32"

Keying	Cylinder Length	Max Material Thickness	Bright Nickel Item #	Flat Black Item #
KA 346	15/16"	5/8"	OL954-C346A-14A	OL954-C346A-19
KA 390	15/16"	5/8"	OL954-C390A-14A	OL954-C390A-19
KA 413	15/16"	5/8"	OL954-C413A-14A	OL954-C413A-19
KA 415	15/16"	5/8"	OL954-C415A-14A	OL954-C415A-19
KA 420	15/16"	5/8"	OL954-C420A-14A	OL954-C420A-19
KA 452	15/16"	5/8"	OL954-C452A-14A	OL954-C452A-19
KD	15/16"	5/8"	OL954-KD-14A	OL954-KD-19
KDMK	15/16"	5/8"	OL954-KDMK-14A	OL954-KDMK-19
KA 346	1-3/16"	7/8"	OL953-C346A-14A	OL953-C346A-19
KA 390	1-3/16"	7/8"	OL953-C390A-14A	OL953-C390A-19
KA 413	1-3/16"	7/8"	OL953-C413A-14A	OL953-C413A-19
KA 415	1-3/16"	7/8"	OL953-C415A-14A	OL953-C415A-19
KA 420	1-3/16"	7/8"	OL953-C420A-14A	OL953-C420A-19
KA 452	1-3/16"	7/8"	OL953-C452A-14A	OL953-C452A-19
KD	1-3/16"	7/8"	OL953-KD-14A	OL953-KD-19
KDMK	1-3/16"	7/8"	OL953-KDMK-14A	OL953-KDMK-19
KA 346	1-7/16"	1-1/8"	OL955-C346A-14A	OL955-C346A-19
KA 390	1-7/16"	1-1/8"	OL955-C390A-14A	OL955-C390A-19
KA 413	1-7/16"	1-1/8"	OL955-C413A-14A	OL955-C413A-19
KA 415	1-7/16"	1-1/8"	OL955-C415A-14A	OL955-C415A-19
KA 420	1-7/16"	1-1/8"	OL955-C420A-14A	OL955-C420A-19
KA 452	1-7/16"	1-1/8"	OL955-C452A-14A	OL955-C452A-19
KD	1-7/16"	1-1/8"	OL955-KD-14A	OL955-KD-19
KDMK	1-7/16"	1-1/8"	OL955-KDMK-14A	OL955-KDMK-19
KA 346	1-3/4"	1-7/16"	OL960-C346A-14A	OL960-C346A-19
KA 390	1-3/4"	1-7/16"	OL960-C390A-14A	OL960-C390A-19
KA 413	1-3/4"	1-7/16"	OL960-C413A-14A	OL960-C413A-19
KA 415	1-3/4"	1-7/16"	OL960-C415A-14A	OL960-C415A-19
KA 420	1-3/4"	1-7/16"	OL960-C420A-14A	OL960-C420A-19
KA 452	1-3/4"	1-7/16"	OL960-C452A-14A	OL960-C452A-19
KD	1-3/4"	1-7/16"	OL960-KD-14A	OL960-KD-19
KDMK	1-3/4"	1-7/16"	OL960-KDMK-14A	OL960-KDMK-19
KA 346	2"	1-13/16"	OL961-C346A-14A	OL961-C346A-19
KA 390	2"	1-13/16"	OL961-C390A-14A	OL961-C390A-19
KA 413	2"	1-13/16"	OL961-C413A-14A	OL961-C413A-19
KA 415	2"	1-13/16"	OL961-C415A-14A	OL961-C415A-19
KA 420	2"	1-13/16"	OL961-C420A-14A	OL961-C420A-19
KA 452	2"	1-13/16"	OL961-C452A-14A	OL961-C452A-19
KD	2"	1-13/16"	OL961-KD-14A	OL961-KD-19
KDMK	2"	1-13/16"	OL961-KDMK-14A	OL961-KDMK-19

DISC TUMBLER LOCK ACCESSORIES

- Offset and Straight Cams for use with Cascade Disc Tumbler Locks



	Item #	Type
A	OLP95-CM-6	Straight
B	OLP95-CM-1	Straight
C	OLP95-CM-3	Straight

	Item #	Type
D	OLP95-CM-5	Straight Hook
E	OLP95-CM-2	Bent/Offset
F	OLP95-CM-4	Bent/Offset

- Cut Keys for use with Cascade Series Disc Tumbler Locks



Item #	Description
OLKB-D85-C346A	Cut key for KA346 locks
OLKB-D85-C390A	Cut key for KA390 locks
OLKB-D85-C413A	Cut key for KA413 locks
OLKB-D85-C415A	Cut key for KA415 locks
OLKB-D85-C420A	Cut key for KA420 locks
OLKB-D85-C452A	Cut key for KA452 locks
OLKB-D84-E-MK	Cut Masterkey. Will only work with Masterkeyed locks.

DCP SERIES PADLOCKABLE CAM LOCK



OLDCP (No finger pull)

Specifications

Function: Cam lock for use with padlock as locking device. Functions on doors or drawers.

Ideal for locker applications.

Through-hole: 0.4"

Padlocks: Not included; accepts most standard padlocks with a shackle diameter up to 25/64"

Max. Material Thickness: 1-1/8"

Barrel Diameter: 3/4"

Finishes: 26D, 26 (3, 19 available via direct ship)

NOTE: Padlock not included

Included Accessories:

DCP-LC straight 1-1/4" cam;

DCNP-SPW pronged wood washer

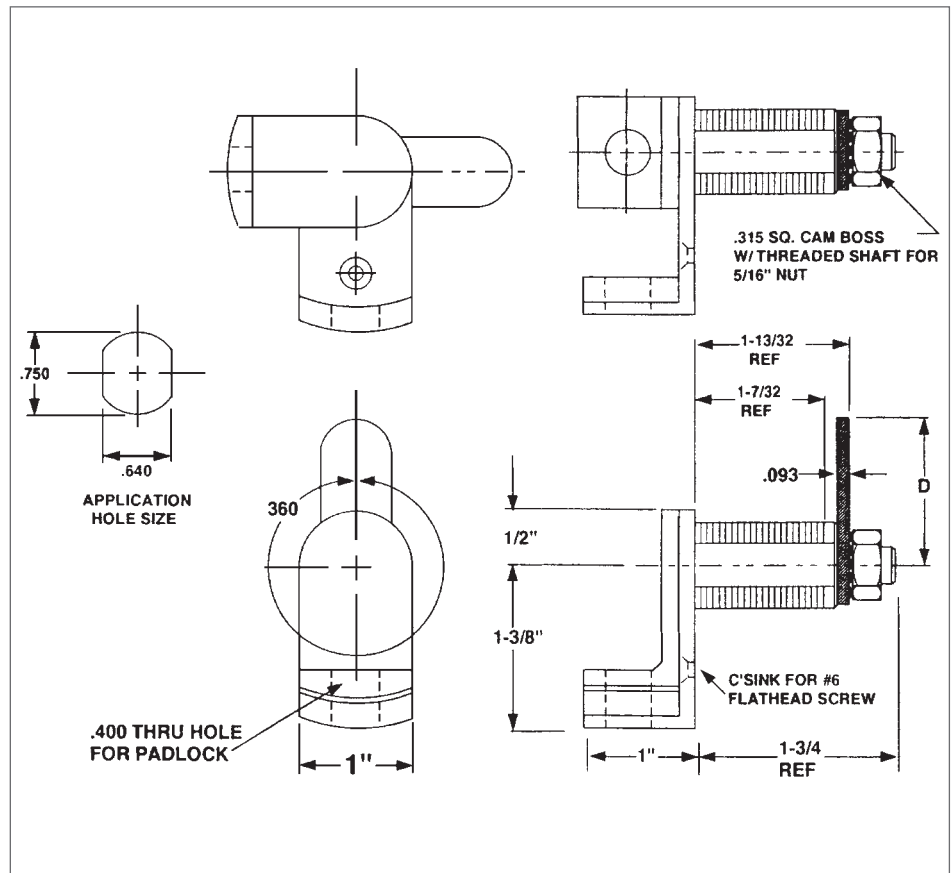
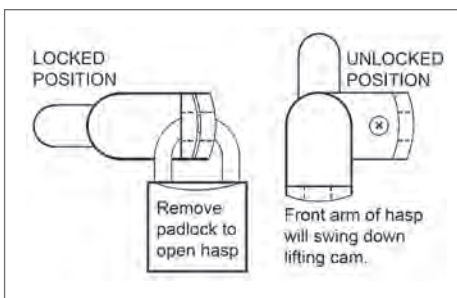


OLDCP500 (With finger pull)

Finish	Item #	Cylinder Length	Description
Satin Chrome	OLDCP-26D	1-7/32"	No Finger Pull
Polished Chrome	OLDCP-US26	1-7/32"	No Finger Pull
Satin Chrome	OLDCP500-26D	1-7/32"	With Finger Pull



Includes pronged wood washer



PIN TUMBLER LOCKS

Olympus Lock manufactures institutional grade cabinet locks that reflect the company's culture of design and ingenuity. The company pioneered rekeyable cabinet locks and holds numerous North American patents speaking to those inventions. By incorporating feedback from locksmiths at airports, casinos, schools, and hospitals, Olympus engineered its products to be both durable and easy to work with, making it the preferred choice of institutional locksmiths.

The Company has been around for over three decades, is still family owned and operated, and boasts industry leading ship times.

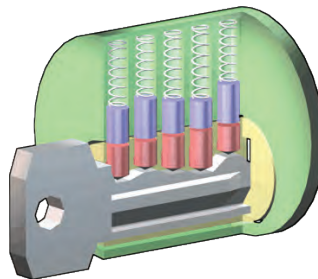
Institutional Grade Cabinet Locks - Heavy duty locks for high use applications

What are the benefits of a pin tumbler versus a disc tumbler? Pin tumbler key systems provide significantly more key changes than disc tumbler systems. See the chart below for the typical number of allowable key changes under a single master key:

Wafer/disc.....80 key changes
 4 pin tumbler.....650 key changes
 5 pin tumbler.....2,000 key changes
 6 pin tumbler.....4,000 key changes
 7 pin tumbler.....16,000 key changes

Additional Pin tumbler Features:

- 5 or 6 chambers, pin #s 0-9 (10 total steps per chamber)
- 2000+ keyed different and master keyed total key changes
- Can be grand master keyed
- More secure keyway
- For high-use commercial applications



Wide Variety of Finishes Available:

Olympus Lock offers locks in the most popular architectural finishes. Not all finishes are available on all products; see product page for standard finishes available on a specific item.



US26D / 626
Satin Chrome



US4 / 604
Satin Brass



US3 / 605
Polished Brass



US26 / 625
Polished Chrome

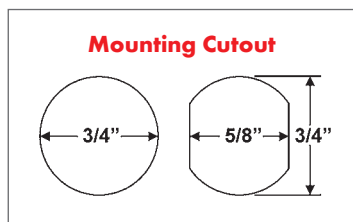
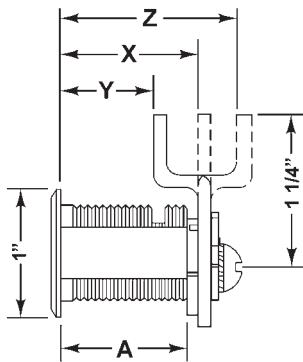


US10B / 613
Oil Rubbed Bronze



US19 / 622
Flat Black

DCN SERIES PIN TUMBLER CAM LOCK



Specifications

Keying: Can be keyed together with other N Series locks

Rekeyable: Easily rekeyable via cylinder retainer clip

ANSI/BHMA: Passed ANSI/BHMA A156.11 Grade 1 performance requirements. Equivalent to E07261 / E07271.

Woodwork Institute: (WI) acknowledged product

Body: Zinc die cast; **Cylinder:** Zinc die cast, pin tumbler

Standard function: Key removable in locked or unlocked position.

Cams: 2 reversible cams work in all positions

Face: 1" face covers splintering, no additional trim ring required

Finishes: 26D, 3,10B, 19

Keying Information

Keyway: N Series (equivalent to National D4291 4-pin or D4292 5-pin system)

Keys: Includes 2 keys per lock

Stock keying: KD/KA - 4 pin standard

Stock KA#: 101, 103, 107, 915

Masterkeyed: 5 pin standard; **Grand masterkeyed:** Available

Included Accessories

Straight cam, Offset reversible cam, Anti-rotation plate, Lost-motion cam shifter

Custom Keying Available

Finish	Item #	Cyl Length (as measured with straight cam)
Satin Chrome	OLDCN1-26D.**	1-1/16"
Oil Rubbed Bronze	OLDCN1-10B.**	1-1/16"
Bright Brass	OLDCN1-US3.**	1-1/16"
Flat Black	OLDCN1-19.**	1-1/16"
Satin Chrome	OLDCN2-26D.**	1-3/16"
Oil Rubbed Bronze	OLDCN2-10B.**	1-3/16"
Bright Brass	OLDCN2-US3.**	1-3/16"
Flat Black	OLDCN2-19.**	1-3/16"
Satin Chrome	OLDCN3-26D.**	1-7/16"
Oil Rubbed Bronze	OLDCN3-10B.**	1-7/16"
Bright Brass	OLDCN3-US3.**	1-7/16"
Flat Black	OLDCN3-19.**	1-7/16"
Satin Chrome	OLDCN4-26D.**	1-3/4"
Oil Rubbed Bronze	OLDCN4-10B.**	1-3/4"
Bright Brass	OLDCN4-US3.**	1-3/4"
Flat Black	OLDCN4-19.**	1-3/4"

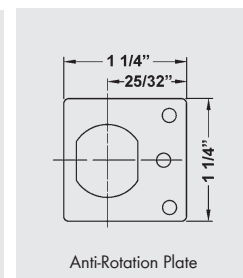
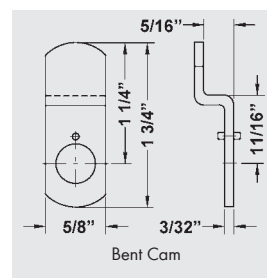
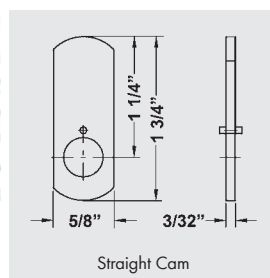
Locks in all eight positions with 2 reversible cams

** Insert KD for Keyed Differently or Key Number for Keyed Alike (101, 103, 107, 915) or KDMK for Keyed Different, Master Keyed

Included Accessories

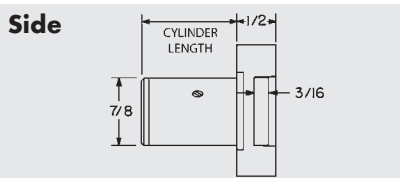
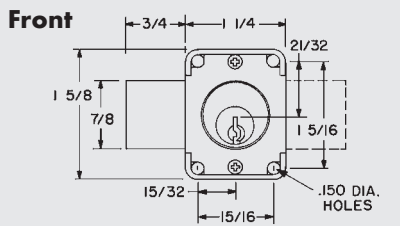
DIMENSIONS

	For Mat. Thickness	Straight Cam (X)	Inbent Cam (Y)	Outbent Cam (Z)	Cylinder Length (A)
DCN1	3/4"	1-1/16"	3/4"	1-3/8"	1"
DCN2	7/8"	1-3/16"	7/8"	1-1/2"	1-1/8"
DCN3	1-1/8"	1-7/16"	1-1/8"	1-3/4"	1-3/8"
DCN4	1-1/2"	1-13/16"	1-1/2"	2-1/8"	1-3/4"

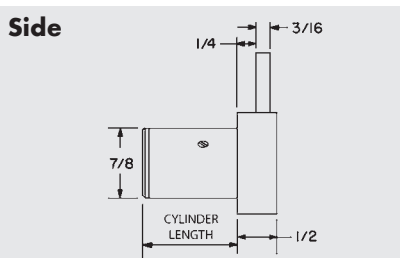
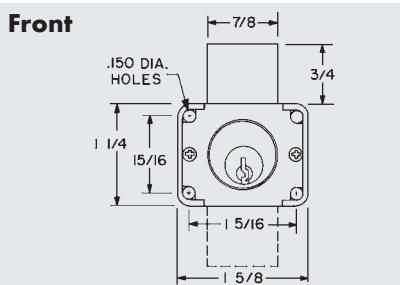


100 AND 200 SERIES DEADBOLT DOOR AND DRAWER LOCKS

OL100 Series



OL200 Series



Specifications

Keying: Can be keyed together with other N Series locks

Rekeyable: Easily rekeyable via set screw cylinder release mechanism

ANSI/BHMA: Passed ANSI/BHMA A156.11 Grade 1 performance requirements. Equivalent to E07121(100DR) / E07041(200DW)

Standard function: Key removable in locked or unlocked position (removable in locked position only, available via direct ship). Standard function locks are non-handed.

Body: Zinc die cast; **Cylinder:** Solid brass, pin tumbler

Cylinder length: 15/16", 1-3/8" or 1-5/8"; Barrel diameter: 7/8"

Keying Information

Keyway: N Series (equivalent to National D4291 4-pin or D4292 5-pin system)

Keys: Includes 2 keys per lock

Stock keying: KD/KA - 4 pin standard

Stock KA#: 101, 103, 107, 915

Masterkeyed: 5 pin standard; **Grand masterkeyed:** Available

Included Accessories

100DR: 2 keys, 56-1 bar strike, and lock mounting screws

200DW: 2 keys, 12-3 angle strike, and lock mounting screws

Custom Keying Available

Finish	Item #	Function	Cyl Length	Mtrl Thickness
Satin Chrome	OL100DR-26D78-**	Door	15/16"	7/8"
Satin Brass	OL100DR-US478-**	Door	15/16"	7/8"
Oil Rubbed Bronze	OL100DR-10B78-**	Door	15/16"	7/8"
Flat Black	OL100DR-1978-**	Door	15/16"	7/8"
Satin Chrome	OL100DR-26D138-**	Door	1-7/16"	1-3/8"
Satin Brass	OL100DR-US4138-**	Door	1-7/16"	1-3/8"
Oil Rubbed Bronze	OL100DR-10B138-**	Door	1-7/16"	1-3/8"
Satin Chrome	OL200DW-26D78-**	Drawer	15/16"	7/8"
Satin Brass	OL200DW-US478-**	Drawer	15/16"	7/8"
Oil Rubbed Bronze	OL200DW-10B78-**	Drawer	15/16"	7/8"
Flat Black	OL200DW-1978-**	Drawer	15/16"	7/8"
Satin Chrome	OL200DW-26D138-**	Drawer	1-7/16"	1-3/8"
Satin Brass	OL200DW-US4138-**	Drawer	1-7/16"	1-3/8"
Oil Rubbed Bronze	OL200DW-10B138-**	Drawer	1-7/16"	1-3/8"
Flat Black	OL200DW-19138-**	Drawer	1-7/16"	1-3/8"
Satin Chrome	OL200DW-26D158-**	Drawer	1-11/16"	1-5/8"
Oil Rubbed Bronze	OL200DW-10B158-**	Drawer	1-11/16"	1-5/8"

** Insert KD for Keyed Differently or Key Number for Keyed Alike (101, 103, 107, 915) or KDMK for Keyed Different, Master Keyed.

"M" series MRI locks available via direct ship

720 SERIES CAM LOCK (CORE NOT INCLUDED)



Specifications

Retrofits: Best 1E7E4

ANSI/BHMA: Passed ANSI/BHMA A156.11 Grade 1 performance requirements. Equivalent to E07261/E07271.

Cylinder diameter: 1-1/8"

Across flats: 7/8"

Max. material thickness: 1-1/8"

Min. material thickness: 0.08"

Functions: Includes parts for key-retaining or non-key-retaining function

Body: Zinc die cast

Finish: 26D, 26 or 3 (via direct ship)

Keying Information

Cores: Not included. 206/207 cores available special order.

Accepts: Best, Arrow, Falcon, KSP, Schlage SFIC or equivalent small format interchangeable cores

Compatible electronic cylinders: Medeco Nexgen XT or VIDEX CyberLock SFIC cylinders

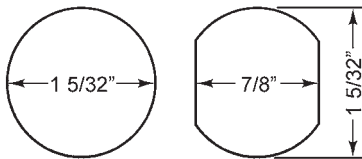
Includes

725-PA plastic thumbturn, 720-PL3 stabilizer plate, 725-1 spacer to fit 6 or 7 pin cores, 720-3-1 short inverted cam, 720-3-2 long vertical cam, 720-CDLM lost motion cam shifter, 720-CDDM key retaining door cam shifter, 720-KR key retaining drawer cam shifter

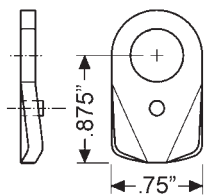


For BEST style interchangeable core cylinders

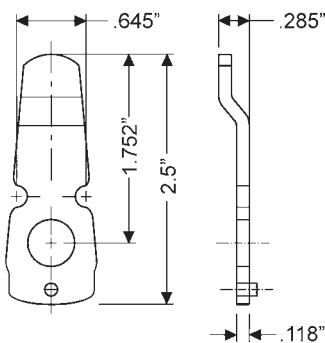
Mounting Cutout



INCLUDED CAMS

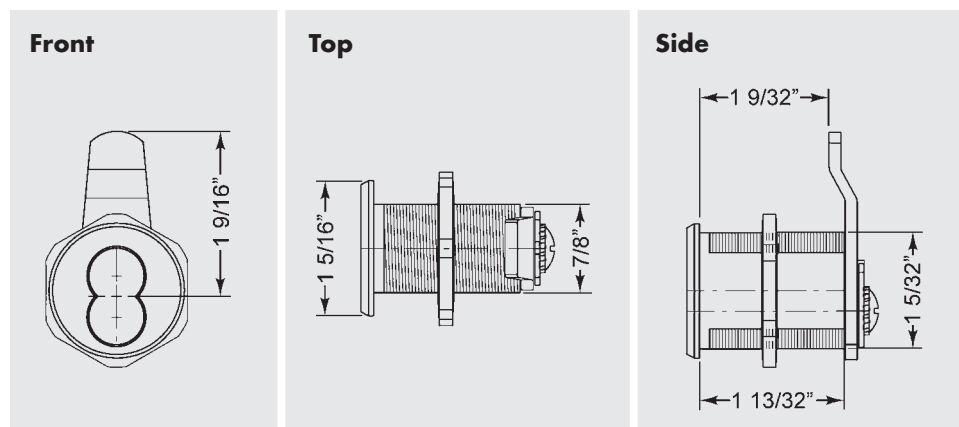


For Inverted Function



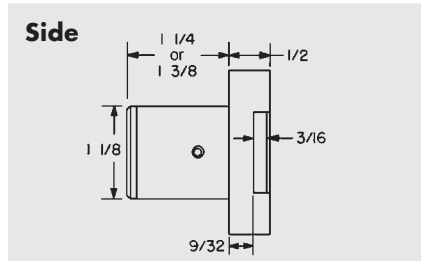
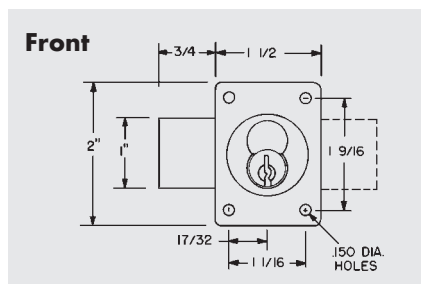
Inbent Cam for Vertical Function

Finish	Item #	Cyl Dia.	Max Thickness
Satin Chrome	OL720LM/DM-US26	1-1/8"	Up to 1-1/8"
Satin Chrome	OL720LM/DM-26D	1-1/8"	Up to 1-1/8"



721 SERIES DEADBOLT DOOR AND DRAWER LOCKS (CORE NOT INCLUDED)

OL721DR Series



Specifications

Retrofits: Best 3L

Reversible: Field reversible between door and drawer functions

ANSI/BHMA: Passed ANSI/BHMA A156.11 Grade 1 performance requirements. Equivalent to E07121 (721DR) / E07041 (721DW)

Woodwork Institute: (WI) acknowledged product

Standard function: Key removable in locked and unlocked position (removable in locked position only, available via direct ship)

Barrel diameter: 1-1/8"; Cylinder length: 1-1/4" or 1-3/8"

Body: Zinc die cast

Finishes: 26D, 10B (3 and US26 available via direct ship)

Keying Information

Cores: Not included. 206/207 cores available special order.

Accepts: Best, Arrow, Falcon, KSP, Schlage SFIC or equivalent small format interchangeable cores

Compatible electronic cylinders: Medeco Nexgen XT or VIDEX CyberLock SFIC cylinders

Included Accessories

For 1-1/4" barrel length locks:

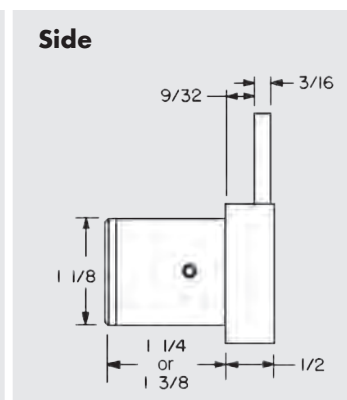
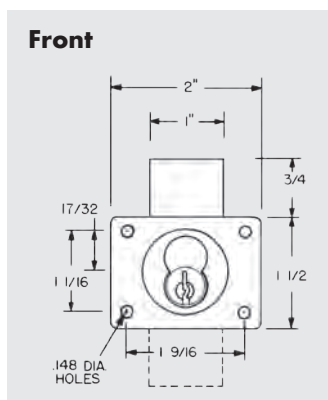
725-1 spacer to fit 6 or 7 pin cores; 725-PA plastic thumbturn; 10-350 (qty 3) plastic spacers; 10-054 1/4" plastic bar strike; 10-057 .65" plastic bar strike

For 1-3/8" barrel length locks:

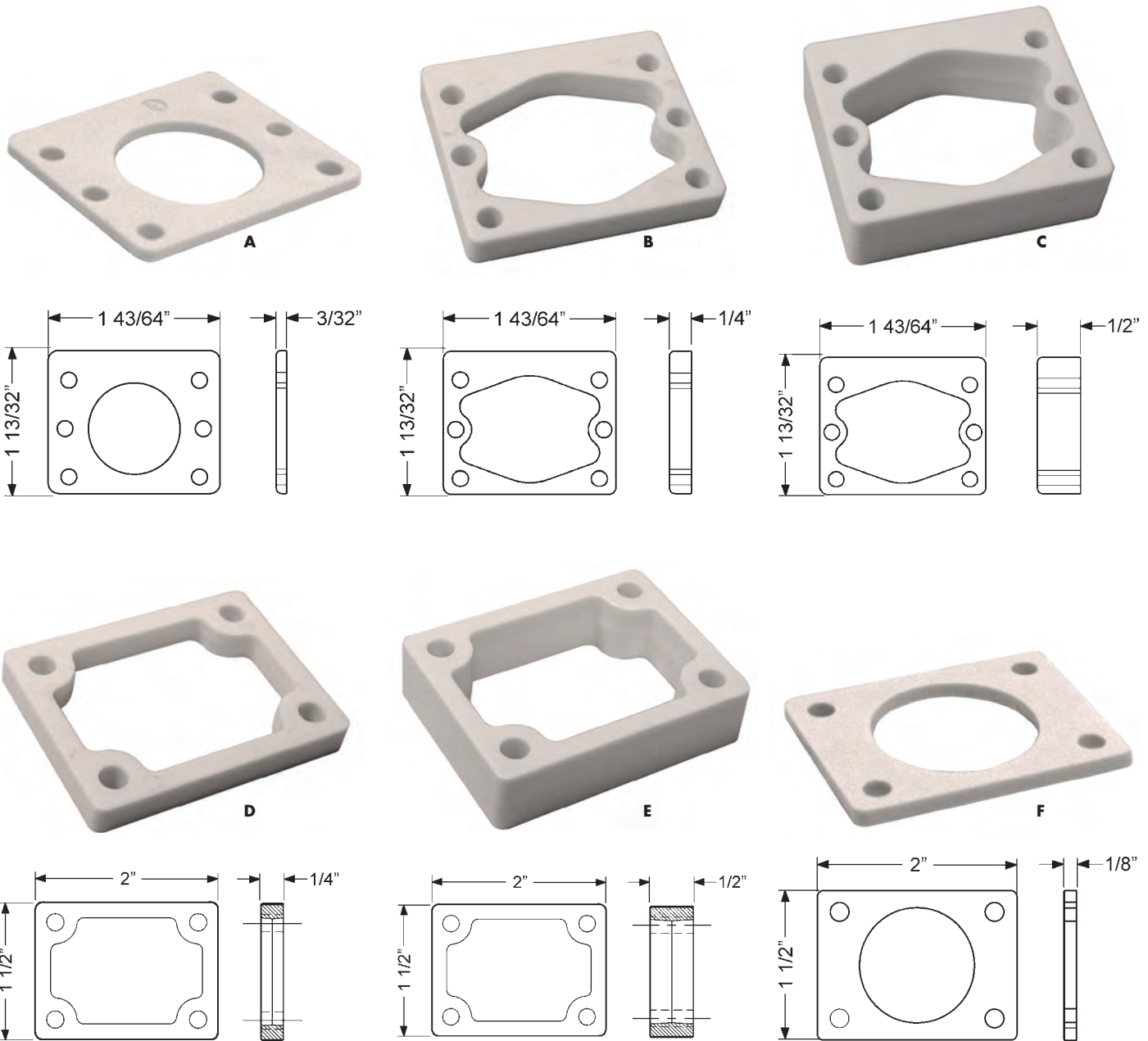
725-1 spacer to fit 6 or 7 pin cores; 725-PA plastic thumbturn; 10-054 1/4" plastic bar strike

Finish	Item#	Function	Cyl Length	Description
Satin Chrome	OL721DR-26D	Door	1-1/4"	Lock body ONLY - For small format IC
Oil Rubbed Bronze	OL721DR-10B	Door	1-1/4"	Lock body ONLY - For small format IC
Satin Chrome	OL721DR-138-26D	Door	1-3/8"	Lock body ONLY - For small format IC
Satin Chrome	OL721DW-26D	Drawer	1-1/4"	Lock body ONLY - For small format IC
Oil Rubbed Bronze	OL721DW-10B	Drawer	1-1/4"	Lock body ONLY - For small format IC
Satin Chrome	OL721DW-138-26D	Drawer	1-3/8"	Lock body ONLY - For small format IC

OL721DW Series



PIN TUMBLER LOCK ACCESSORIES

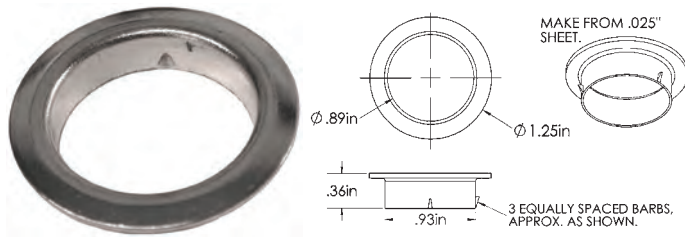


Item #	Thickness	Lock Dia	For Use With
A	3/32"	7/8"	100, 200, 500, 600, L20V, N078, R078
B	1/4"	7/8"	100, 200, 500, 600, L20V, N078, R078
C	1/2"	7/8"	100, 200, 500, 600, L20V, N078, R078
D	1/4"	1-1/8"	700, 721, 754, 777, 800, 850, 854, 888, 931, 950, L92, L72
E	1/2"	1-1/8"	700, 721, 754, 777, 800, 850, 854, 888, 931, 950, L92, L72
F	1/8"	1-1/8"	700, 721, 754, 777, 800, 850, 854, 888, 931, 950, L92, L72

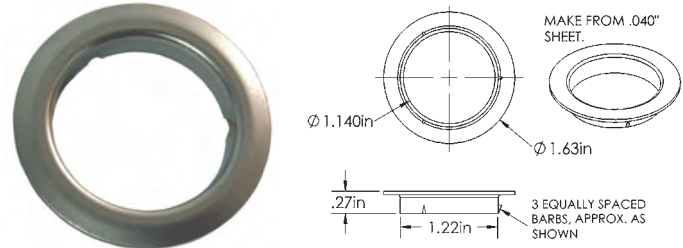
PIN TUMBLER LOCK ACCESSORIES

Trim rings cover chips or gouges in the laminate or wood hole that can be seen from the outside of the cabinet. They are used primarily to enhance the appearance of the overall lock installation.

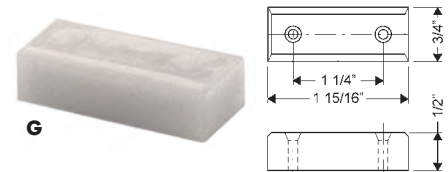
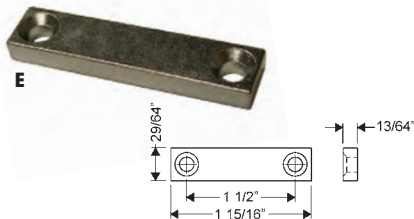
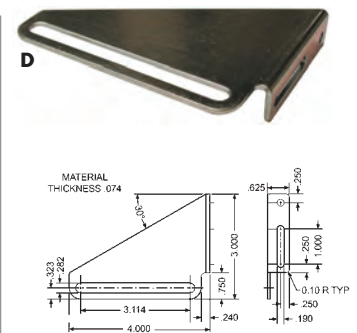
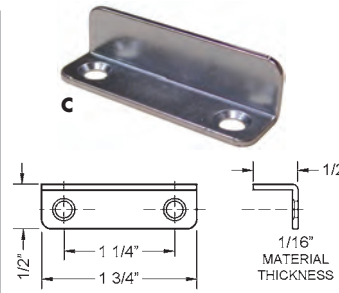
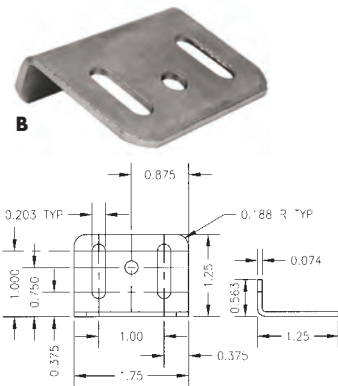
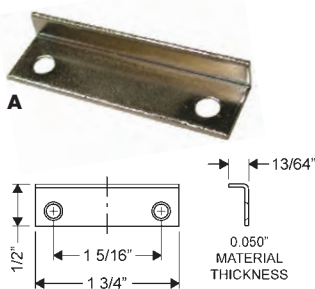
OLTR1256 Series



OLTR78 Series



Item #	Finish	Lock Dia	For Use With
OLTR1256-10B	Oil Rubbed Bronze	7/8"	100, 200, N078, 999, 998, 500, 600, R078, 997, 996, L20V
OLTR1256-26D	Satin Chrome		
OLTR1256-19	Flat Black		
OLTR78-US3	Bright Brass	1-1/8"	700, 800, 850, 950, 721, 725, 754, 854, 777, 888, 931, L72, L78, L92
OLTR78-10B	Oil Rubbed Bronze		
OLTR78-26D	Satin Chrome		
OLTR78-19	Flat Black		



Item #	Style	Finish
A	Angle Strike	Satin Chrome
B	Angle Strike, Heavy Duty	Satin Chrome
C	Angle Strike, Medium	Satin Chrome
D	Frameless Drawer Strike	Zinc Plated

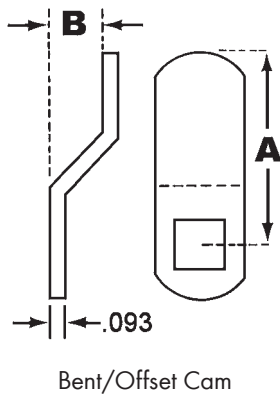
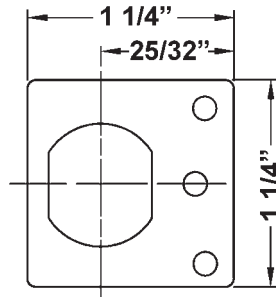
Item #	Style	Finish
E	Bar Strike	Satin Chrome
F	Bar Strike, 1/4"	White Plastic
G	Bar Strike, 1/2"	White Plastic

PIN TUMBLER LOCK ACCESSORIES



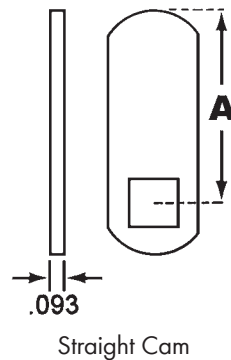
- Anti-rotation plate
- For use with DCN and DCP Series Locks

Item #
OLDCNP-500-ARP



- Offset & Straight Cams
- For use with DCP Series Locks

Item #	Type	Dim A	Dim B
OLDCP-114-18	Bent/Offset	1-1/4"	1/8"
OLDCP-LBC	Bent/Offset	1-1/4"	1/4"
OLDCP-LC-112	Straight	1-1/2"	-



- Cut keys for N Series keyways

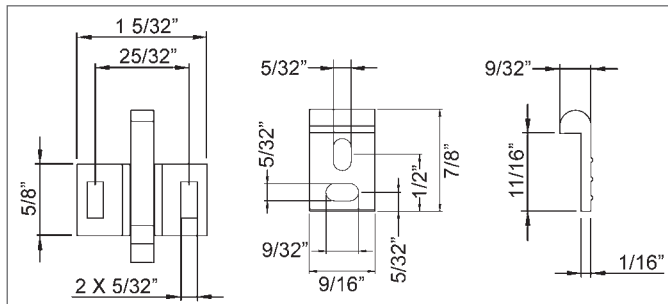
Item #	Description
OLKB-101-NP	Cut key for KA101 locks
OLKB-103-NP	Cut key for KA103 locks
OLKB-107-NP	Cut key for KA107 locks
OLKB-915-NP	Cut key for KA915 locks
OLKB-GM2MK-NP	Cut master key for GM2 (5-pin) master key system



ELBOW CATCH

- Used to secure one door to the cabinet in double door applications
- Allows for door to lock shut when pushed
- Requires releasing hook to open the door
- Meets ANSI/BHMA A156.9 B33023
- Woodwork Institute (WI) acknowledged product
- Can be used on left-hand or right-hand cabinet doors
- Catch and strike packaged individually with three screws

Item #	Finish
OLEC-2-26D	Satin Chrome



WÜRTH LOUIS AND COMPANY

OLYMPUS LOCK

CATALOG

Würth Louis and Company

895 Columbia Street
Brea, CA 92821
(714) 529-1771
(800) 422-4389
Fax: (800) 446-9452
www.wurthlac.com
Source code: LP1672

Other locations:

Anaheim, CA	Idaho Falls, ID	Post Falls, ID
Benton, AR	Lacey, WA	Salt Lake City, UT
Boise, ID	Las Vegas, NV	San Antonio, TX
Denver, CO	Oklahoma City, OK	San Marcos, CA
Grand Prairie, TX	Phoenix, AZ	St. George, UT
Houston, TX	Portland, OR	West Jordan, UT