

SECTION C - TABLE OF CONTENTS

Section C Contents:

Blum AVENTOS Lift Systems.....2-21
 Grass KINVARO Lift Systems..... 22-27
 Grass TIOMOS Flap Hinges..... 28
 Salice WIND Lift Systems 29
 Salice PACTA Hinges 30
 Stays..... 31-37
 Institutional Hinges 38-41
 Piano & Barrel Hinges..... 42
 SOSS Invisible Hinges 43
 Concealed Hinges 44
 Wrap & Demountable Hinges..... 45
 Face Mount Hinges..... 46
 Full Inset Hinges..... 47
 Pin/Knife Hinges 48-49
 Pivot & Butt Hinges..... 50
 Glass Door Hinges..... 51
 Specialty Hinges 52



A
B
C
D
E
F
G
H
I
J
K
L
M
N
O
P
Q
R
S
T
U
V
W
X
Y



NOTE: Some of the items in this section are not available in all markets. Please contact your Würth Louis and Company representative for more information.

A
B
C
D
E
F
G
H
I
J
K
L
M
N
O
P
Q
R
S
T
U
V
W
X
Y

BLUM® AVENTOS LIFT SYSTEMS



AVENTOS HF - Bi-Fold Door



- Well suited for large cabinets
- For both panel and face frame applications
- Cabinet height from 479mm (18-7/8") to 1067mm (42")
- Cabinet width from 381mm (15") to 1828mm (72")
- Interior depth minimum 278mm (10-15/16")
- Includes a finger safety feature
- Three-dimensional adjustment feature enables doors to be precisely aligned
- Closes silently and effortlessly with BLUMOTION
- Power Factor = Cabinet Height x Door Weight



Lift Mechanism Sets

Includes (2) lift mechanisms and (8) #7 x 35mm (1-3/8") wood screws

Item #	Power Factor Range
B20F2200.N5	85 - 230 (one lift mechanism required)
B20F2200.N5	231 - 470 (two lift mechanisms required)
A B20F2500.N5	471 - 880 (two lift mechanisms required)
B20F2800.N5	881 - 1440 (two lift mechanisms required)
B20F2800.N5	1441 - 2300 (three lift mechanisms required)



Cover Sets

Includes right and left cover plate, and (2) non-handed cover caps

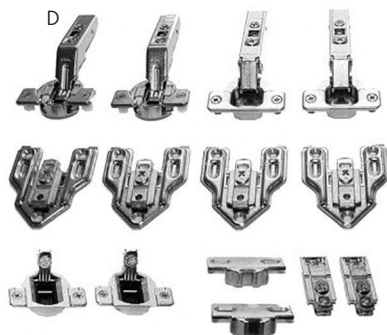
Item #	Finish
B20F8020NA-HGIG	Light Gray
B20F8020NA-SWIG	Silk White
B20F8020NA-TGIG	Dark Gray



Telescopic Arm Sets

Includes (2) telescopic arms

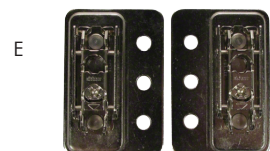
Item #	Cabinet Height Range
B20F3200.01	479mm (18-7/8") - 558mm (22")
B20F3500.01	558mm (22") - 686mm (27")
C B20F3800.01	686mm (27") - 889mm (35")
B20F3900.01	889mm (35") - 1067mm (42")



Wood or Wide Aluminum Door Hardware Set

Includes (2) CLIP top 120° free swing hinges, (2) COMPACT 33° free swing hinges, (2) CLIP top bottom door hinges, (2) COMPACT mounting plates, (4) face frame adapters, and (2) telescopic arm mounting plates

Item #	Description
D B78Z5530TA8	Wood or Wide Aluminum Hardware Set



Mounting Plate with Bracket Set

Item #	Description
E B175H3F00	Right and Left Mounting Plate with Bracket

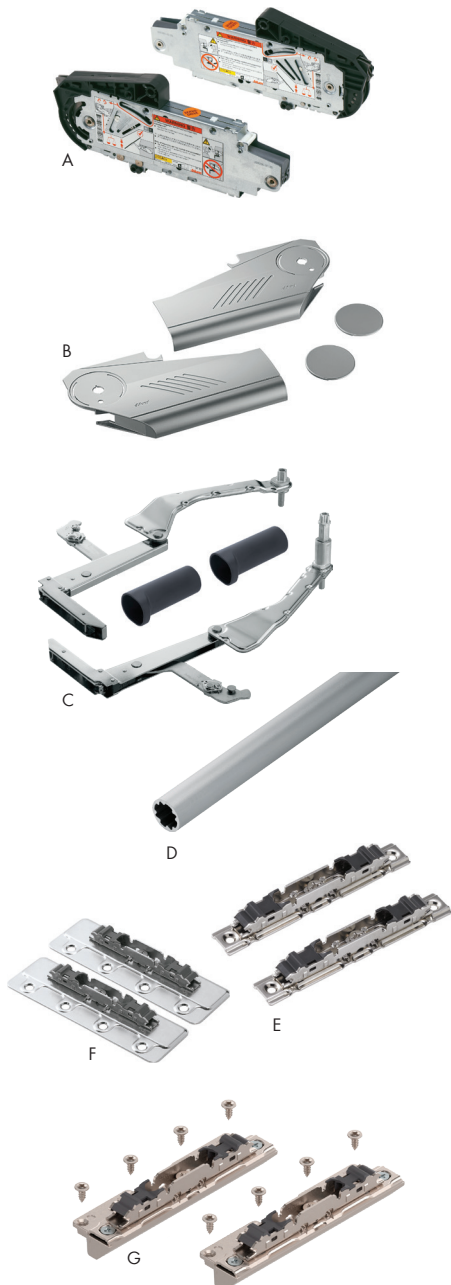
BLUM® AVENTOS LIFT SYSTEMS



AVENTOS HS - Up & Over Door



- 9 different lift mechanisms and one lever arm
- Can be used with cornice and crown mouldings
- Lift mechanisms and front fixing brackets can be used symmetrically
- For wood and aluminum face fronts
- Tool-free cross stabilizer for even greater ease of assembly



Lift Mechanism Set

Includes (2) lift mechanisms and (10) #7 x 35mm (1-3/8") wood screws

Item #	Door Weight Range	Cabinet Height
B20S2A00.N5	4-10 lb	14" - 20"
B20S2B00.N5	8-20 lb	14" - 20"
B20S2C00.N5	16-33 lb	14" - 20"
B20S2D00.N5	6-14 lb	21" - 26"
B20S2E00.N5	11-27 lb	21" - 26"
B20S2F00.N5	23-41 lb	21" - 26"
B20S2G00.N5	7-17 lb	27" - 31"
B20S2H00.N5	14-29 lb	27" - 31"
B20S2I00.N5	26-47 lb	27" - 31"

Cover Sets - Includes right and left cover plate and (2) non-handed cover caps

Item #	Finish
B20S8020NA-HGIG	Light Gray
B20S8020NA-SWIG	Silk White
B20S8020NA-TGIG	Dark Gray

Arm Assembly Set - Includes right and left arm assembly and (2) stabilizer rod cover caps

Item #	Description
C B20S3500.06	AVENTOS HS Cover Set

Round Stabilizer Rod

Item #	Description
D B20Q1061UN	1061mm (41-3/4") aluminum rod

Wood or Wide Aluminum Door Hardware Set

Item #	Description
E B20S4200	Arm Assembly Mounting Plates (qty 2)

Mounting Plate with Bracket Set

Item #	Description
F B20S4F01	Mounting Plate with Bracket (qty 2)

Narrow Aluminum Door Hardware Set

Includes (8) aluminum screws for lever arm mounting plate

Item #	Description
G B20S4200A	Narrow aluminum arm assembly plate (qty 2)

A
B
C
D
E
F
G
H
I
J
K
L
M
N
O
P
Q
R
S
T
U
V
W
X
Y

A
B
C
D
E
F
G
H
I
J
K
L
M
N
O
P
Q
R
S
T
U
V
W
X
Y

BLUM® AVENTOS LIFT SYSTEMS



AVENTOS HL - Lift Up Door



- Suited for wall cabinets and/or as an appliance garage application
- For both panel and face frame application
- Cabinet height from 300mm (11-13/16") to 580mm (22-13/16")
- Cabinet width from 381mm (15") to 1828mm (72")
- Interior cabinet depth minimum of 278mm (10-15/16")
- Closes silently and effortlessly with BLUMOTION
- Simple, virtually tool-free assembly and easy adjustment



Lift Mechanism Sets

Includes (2) lift mechanisms and (10) #7 x 35mm (1-3/8") wood screws

Item #	Door Wt. Range	Cabinet Height
B20L2100.N5	2-8 lb	11-13/16" - 15-11/16"
B20L2300.N5	2-13 lb	11-13/16" - 22-13/16"
B20L2500.N5	3-25 lb	11-13/16" - 22-13/16"
B20L2700.N5	10-44 lb	11-13/16" - 22-13/16"
B20L2900.N5	19-44 lb	13-13/16" - 22-13/16"

Cover Sets - Includes right and left cover plate and (2) non-handed cover caps

Item #	Finish
B20L8020NA-HGIG	Light Gray
B20L8020NA-SWIG	Silk White
B20L8020NA-TGIG	Dark Gray

Arm Assembly Sets

Includes right and left arm assembly and (2) stabilizer rod cover caps

Item #	Cabinet Height Range
B20L3200.06	11-13/16" - 13-3/4"
B20L3500.06	13-13/16" - 15-13/16"
B20L3800.06	15-3/4" - 21-5/8"
B20L3900.06	17-11/16" - 22-13/16"

Oval Stabilizer Rod

Item #	Description
D B20Q1061UA	1061mm (41-3/4") Aluminum Rod

Wood or Wide Aluminum Door Hardware Set

Item #	Description
E B20S4200	Arm Assembly Mounting Plates (qty 2)

Mounting Plate with Bracket Set

Item #	Description
F B20S4F01	Mounting Plate with Bracket (qty 2)

Narrow Aluminum Door Hardware Set

Includes (8) aluminum screws for lever arm mounting plate

Item #	Description
G B20S4200A	Narrow aluminum arm assembly plate (qty 2)

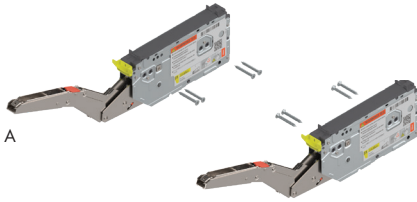
BLUM® AVENTOS LIFT SYSTEMS



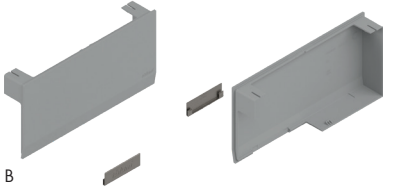
AVENTOS HK top - Stay Lift Door



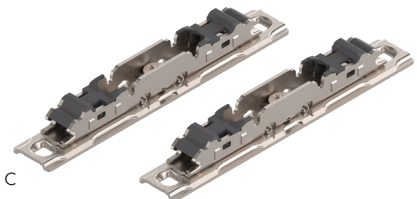
- Self-positioning mechanism with locating template eliminates complicated installation
- Integrated opening angle adjustment between 75° and 107°
- Cabinet height from 250mm (10") to 610mm (24")
- Cabinet width range 381mm (15") to 1828mm (72")
- Interior cabinet depth minimum of 187mm (7-3/8")



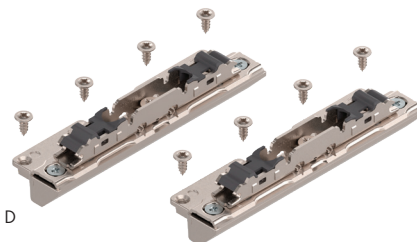
Lift Mechanism Sets - Includes (2) lift mechanisms and (8) #7 x 1-3/8" wood screws		
Item #	Power Factor Range	Opening Angle
B22K2300	36 - 139	107°
B22K2500	80 - 240	107°
B22K2700	150 - 450	107°
B22K2900	270 - 781	107°



Cover Sets - Includes right/left cover plates and (2) non-handed cover caps	
Item #	Finish
B22K8000.NAHG	Light Gray
B22K8000.NASW	Silk White
B22K8000.NATG	Dark Gray



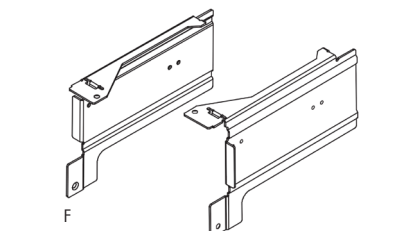
Wood or Wide Aluminum Door Hardware Set - Includes (2) arm assembly mounting plates	
Item #	Description
B20S4200	Wood or Wide Aluminum Door Hardware Set



Narrow Aluminum Door Hardware Set - Includes (2) arm assembly mounting plates and (8) screws	
Item #	Description
B20S4200A	Narrow Aluminum Door Hardware Set



Mounting Plate with Bracket Set - Includes (2) mounting plates with brackets	
Item #	Description
B20S4F01	For use with large overlay 5-piece doors



Face Frame Mounting Bracket Set - Includes right/left brackets and M4 x 30 lift mounting screws	
Item #	Description
B22K6001	HK top frame mounting bracket set

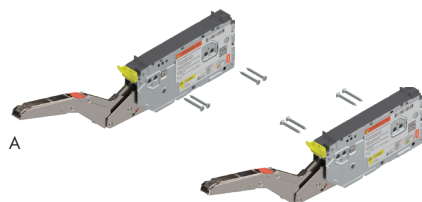
A
B
C
D
E
F
G
H
I
J
K
L
M
N
O
P
Q
R
S
T
U
V
W
X
Y

A
B
C
D
E
F
G
H
I
J
K
L
M
N
O
P
Q
R
S
T
U
V
W
X
Y

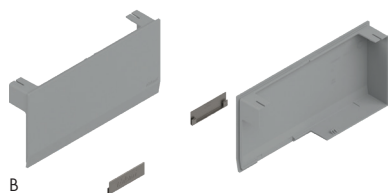
BLUM AVENTOS LIFT SYSTEMS

AVENTOS HK top TIP-ON

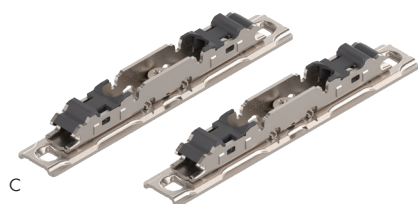
TIP-ON sets for Doors can be found on page C-11



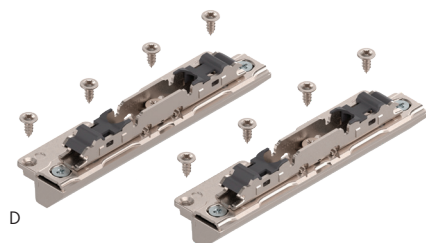
Lift Mechanism Sets - Includes (2) lift mechanisms and (8) #7 x 1-3/8" wood screws		
Item #	Power Factor Range	Opening Angle
B22K2300T	36 - 139	107°
B22K2500T	80 - 240	107°
B22K2700T	150 - 450	107°
B22K2900T	270 - 781	107°



Cover Sets - Includes right/left cover plates and (2) non-handed cover caps	
Item #	Finish
B22K8000.NAHG	Light Gray
B22K8000.NASW	Silk White
B22K8000.NATG	Dark Gray



Wood or Wide Aluminum Door Hardware Set - Includes (2) arm assembly mounting plates	
Item #	Description
B20S4200	Wood or Wide Aluminum Door Hardware Set



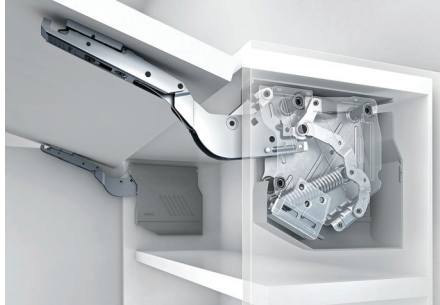
Narrow Aluminum Door Hardware Set - Includes (2) arm assembly mounting plates and (8) screws	
Item #	Description
B20S4200A	Wood or Wide Aluminum Door Hardware Set

BLUM® AVENTOS LIFT SYSTEMS

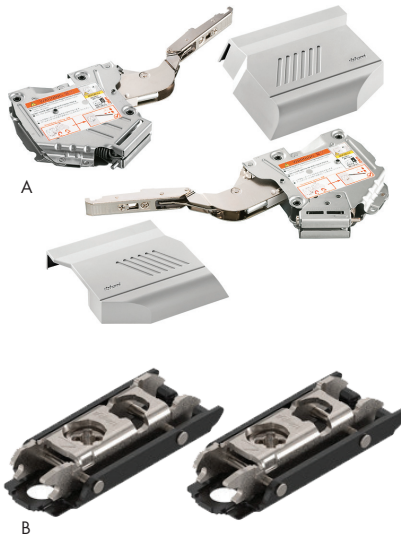
A
B
C
D
E
F
G
H
I
J
K
L
M
N
O
P
Q
R
S
T
U
V
W
X
Y



AVENTOS HK-S - Stay Lift Door



- Suited for small wall cabinets and/or above a pantry or refrigerator
- For both panel and face frame applications
- Cabinet height from 186mm (7-3/8") to 610mm (24")
- Cabinet width from 381mm (15") to 1828mm (72")
- Interior cabinet depth minimum of 165mm (6-1/2")
- Closes silently and effortlessly with BLUMOTION
- Simple, virtually tool-free assembly and easy adjustment
- Power Factor = Cabinet Height x Door Weight



Lift Mechanism Sets - Includes (2) lift mechanisms, left and right cover plates, (2) non-handed cover caps, and (6) #7 x 35 (1-3/8") wood screws

Item #	Finish	Power Factor Range
B20K2B00N6-HGIG	Light Gray	19 - 39
B20K2B00N6-SWIG	Silk White	19 - 39
B20K2B00N6-TGIG	Dark Gray	19 - 39
B20K2C00N6-HGIG	Light Gray	40 - 85
B20K2C00N6-SWIG	Silk White	40 - 85
B20K2C00N6-TGIG	Dark Gray	40 - 85
B20K2E00N6.HGIG	Light Gray	86 - 177
B20K2E00N6-SWIG	Silk White	86 - 177
B20K2E00N6-TGIG	Dark Gray	86 - 177

Wood or Wide Aluminum Door Hardware Set

Item #	Description
B	B175H3100-HKS Arm Assembly Mounting Plates (qty 2)

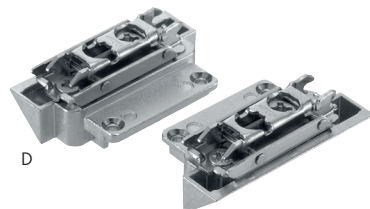
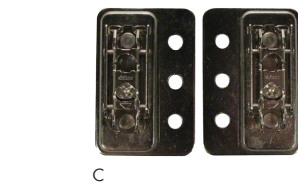
Mounting Plate with Bracket Set

Item #	Description
C	B175H3F00 Right and Left Mounting Plate with Bracket

Narrow Aluminum Door Hardware Set

Includes (8) aluminum screws for lever arm mounting plate

Item #	Description
D	B20K4A00A02 Narrow aluminum arm assembly plate (qty 2)



A
B
C
D
E
F
G
H
I
J
K
L
M
N
O
P
Q
R
S
T
U
V
W
X
Y

BLUM AVENTOS LIFT SYSTEMS



AVENTOS HK-S TIP-ON

TIP-ON Sets for Doors can be found on page C-11

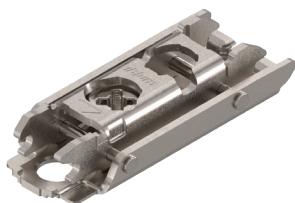


Lift Mechanism Sets

Set Includes:

- Lift mechanism (qty 2)
- #7 x 1-3/8" (35mm) wood screws (qty 10)
- Power Factor = Cabinet Height x Door Weight

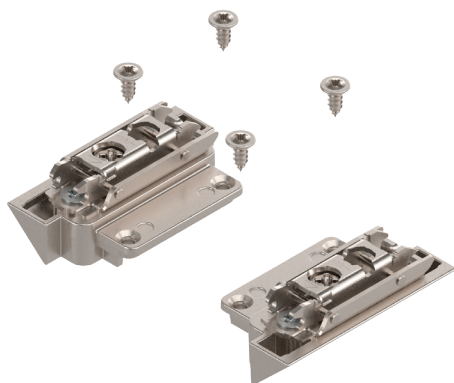
Item #	Finish	Power Factor Range
B20K2B00TN6-HGIG	Light Gray	19 - 39
B20K2B00TN6-SWIG	Silk White	19 - 39
B20K2B00TN6-TGIG	Dark Gray	19 - 39
B20K2C00TN6-HGIG	Light Gray	40 - 85
B20K2C00TN6-SWIG	Silk White	40 - 85
B20K2C00TN6-TGIG	Dark Gray	40 - 85
B20K2E00TN6-HGIG	Light Gray	86 - 177
B20K2E00TN6-SWIG	Silk White	86 - 177
B20K2E00TN6-TGIG	Dark Gray	86 - 177



Wood or Wide Aluminum Door Hardware Set

Set Includes:

- Arm assembly mounting plate (qty 2)



Item #
B175H3100

Narrow Aluminum Door Hardware Set

Set Includes:

- Arm assembly mounting plates (qty 2)
- Aluminum screws for narrow aluminum lever arm mounting plates (qty 4)

Item #
B20K4A00A02

BLUM® AVENTOS LIFT SYSTEMS

A
B
C
D
E
F
G
H
I
J
K
L
M
N
O
P
Q
R
S
T
U
V
W
X
Y



AVENTOS HK-XS - Stay Lift Door

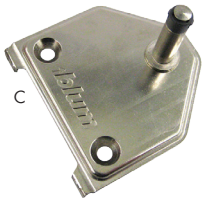
- Suited for small wall cabinets and/or above a pantry or refrigerator
- For both panel and face frame applications
- Cabinet height from 238mm (9-3/8") to 610mm (24")
- Cabinet width up to 1828mm (72")
- Interior cabinet depth minimum of 127mm (5")
- Closes silently and effortlessly with BLUMOTION
- Simple, virtually tool-free assembly and easy adjustment
- Power Factor = Cabinet Height x Door Weight



A



B



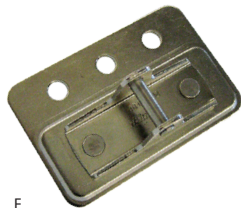
C



D



E



F

Lift Mechanisms

	Item #	Power Factor Range (1 Lift)	Power Factor Range (2 Lifts)
A	B20K1101	17 - 60	34 - 120
	B20K1301	61 - 112	121 - 224
	B20K1501	113 - 156	225 - 312

Cabinet Mounting Plates

	Item #	Description
B	B20K5101	Screw-on (Panel Application)
	B20K51E1	EXPANDO (Panel Application)
	B20K5501	Screw-on (Faceframe Application)

Door Mounting Plates

	Item #	Description
D	B20K4101	Screw-on
E	B20K4101A	Screw-on (Narrow aluminum frame doors)
F	B20K4501	Screw-on (Large overlay five-piece doors)

A
B
C
D
E
F
G
H
I
J
K
L
M
N
O
P
Q
R
S
T
U
V
W
X
Y

BLUM AVENTOS LIFT SYSTEMS

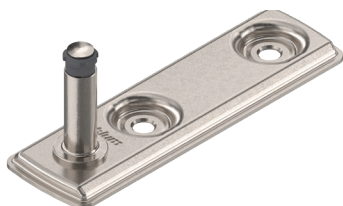


AVENTOS HK-XS TIP-ON

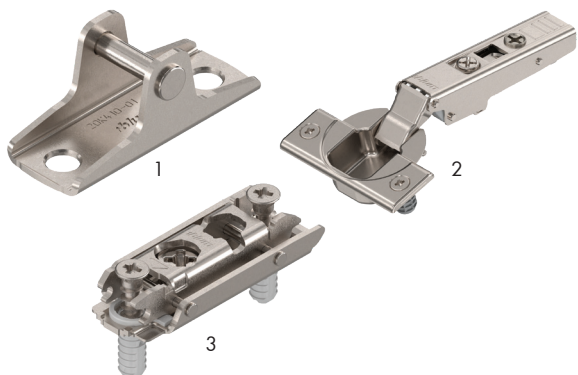
- TIP-ON Sets for Doors can be found on page C-11
- Power Factor = Cabinet Height x Door Weight



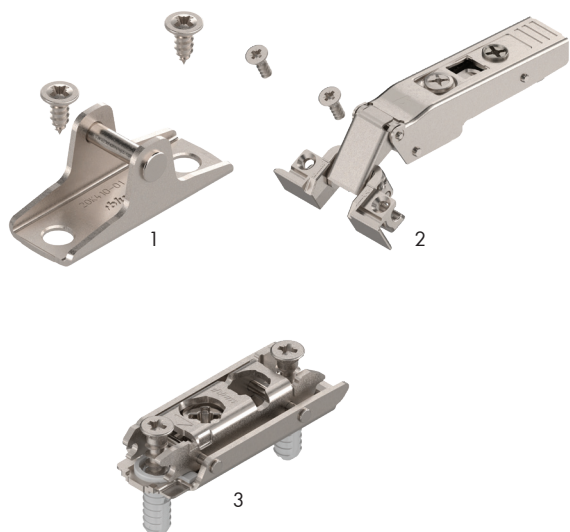
Lift Mechanisms		
Item #	Power Factor Range (1 lift)	Power Factor Range (2 lifts)
B20K1101T	17 - 60	34 - 120
B20K1301T	41 - 112	121 - 224
B20K1501T	113 - 156	225 - 312



Cabinet Mounting Plates	
Item #	Description
B20K5101	Screw-On
B20K51E1	EXPANDO



Wood and Wide Aluminum Door Hardware		
Item #	Description	
1	B20K4101	Door Mounting Plate
2	B70T358	CLIP top 110° Free Swing Dowelled Hinge
3	B177H3100E	EXPANDO Mounting Plate



Narrow Aluminum Door Hardware		
Item #	Description	
1	B20K4101A	Door Mounting Plate
2	B72T550A.TL	CLIP top 110° Free Swing Dowelled Hinge
3	B177H3100E	EXPANDO Mounting Plate

BLUM AVENTOS ACCESSORIES

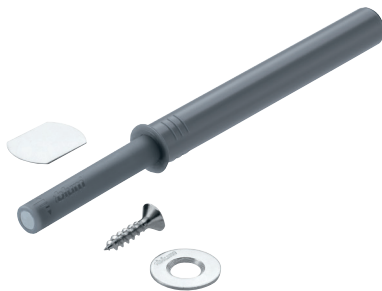


TIP-ON Set for Standard Door



- Nylon unit with magnetic tip
- Adjustment range +4mm to -1 mm
- For use with Blum Euro free swing hinges
- For door heights up to 400mm (15-3/4")
- Works for both overlay and inset applications
- Can be bored into the panel or used with an adapter plate
- Set includes: TIP-ON unit, self-adhesive catch plate, screw-on catch plate, and wood screw

Item #	Finish
B956.1004	Gray
B956.1004BL	Black
B956.1004WH	White



TIP-ON Set for Large Door

- Nylon unit with magnetic tip
- Adjustment range +4mm to -1 mm
- For use with Blum Euro free swing hinges
- For door heights greater than 400mm (15-3/4")
- Works for both overlay and inset applications
- Can be bored into the panel or used with an adapter plate
- Set includes: TIP-ON unit, self-adhesive catch plate, screw-on catch plate, and wood screw

Item #	Finish
B956A1004	Gray
B956A1004BL	Black
B956A1004WH	White

A
B
C
D
E
F
G
H
I
J
K
L
M
N
O
P
Q
R
S
T
U
V
W
X
Y

A BLUM AVENTOS ACCESSORIES

B
C
D
E
F
G
H
I
J
K
L
M
N
O
P
Q
R
S
T
U
V
W
X
Y



AVENTOS HF Angle Restriction Clips



- Restricts opening angle of the door
- Prevents the door from hitting an object above or keeps the handle within reach on high cabinets
- One required per lift mechanism
- Must be installed prior to the reference run in SERVO-DRIVE applications

Item #	Description
B20F7051	104° Restriction Clip
B20K7011	83° Restriction Clip



AVENTOS HK-S Angle Restriction Clips

- Restricts opening angle of the door
- Prevents the door from hitting an object above or keeps the handle within reach on high cabinets
- One required per lift mechanism

Item #	Description
B20K7A41	100° Restriction Clip
B20K7A11	75° Restriction Clip

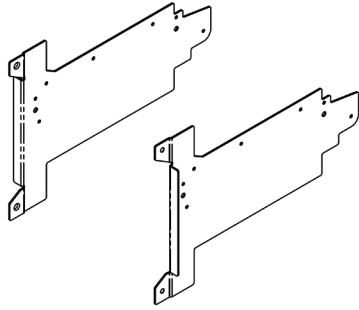
Visit us on our website: wurthlac.com

BLUM AVENTOS ACCESSORIES

AVENTOS Face Frame Mounting Brackets



- Provides a fast and easy way to install AVENTOS in face frame cabinets without the need to block out
- Provides an accurate mounting location in the cabinet for the lift mechanism to simply mount to the bracket with the supplied mounting screws

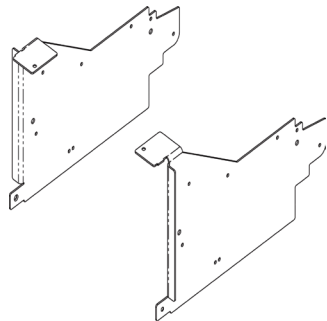


AVENTOS HF Face Frame Mounting Bracket Set

- Brackets for mounting AVENTOS HF in face frame cabinets
- Minimum recess of 1/2" (12.5mm)
- Set Includes:
 - Right and left brackets
 - M4 x 30mm lift mounting screws (qty 12)

Item #
B20F6001

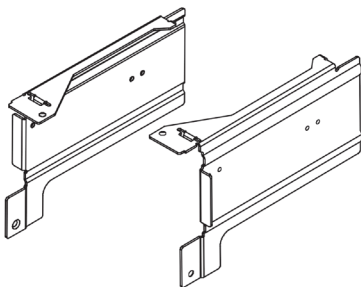
A
B
C
D
E
F
G
H
I
J
K
L
M
N
O
P
Q
R
S
T
U
V
W
X
Y



AVENTOS HL Face Frame Mounting Bracket Set

- Brackets for mounting AVENTOS HL in face frame cabinets
- Minimum recess of 9/19" (15.5mm)
- Set Includes:
 - Right and left brackets
 - M4 x 30mm lift mounting screws (qty 12)

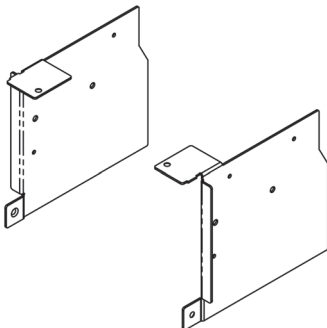
Item #
B20L6001



AVENTOS HK top Face Frame Mounting Bracket Set

- Brackets for mounting AVENTOS HK top in face frame cabinets
- Minimum recess of 1/2" (12.5mm)
- Set Includes:
 - Right and left brackets
 - M4 x 30mm lift mounting screws (qty 12)

Item #
B22K6001



AVENTOS HK-S Face Frame Mounting Bracket Set

- Brackets for mounting AVENTOS HK-S in face frame cabinets
- Minimum recess of 1/2" (12.5mm)
- Set Includes:
 - Right and left brackets
 - M4 x 30mm lift mounting screws (qty 12)

Item #
B20K6A01

A BLUM AVENTOS ACCESSORIES

B
C
D
E
F
G
H
I
J
K
L
M
N
O
P
Q
R
S
T
U
V
W
X
Y



AVENTOS Stabilizer Rod Connector Sets



1



2

- Set Includes:
 - Connector rod
 - Oval cover cap (qty 2)
 - Top mounting hook
- Cut rods to inside cabinet width divided by 2 minus 5-13/16" (147mm) for SERVO-DRIVE minus 6-1/2" (165mm)

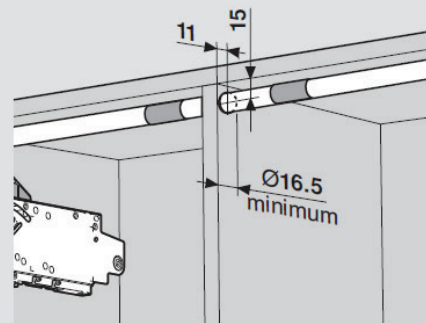
NOTE: Cabinets wider than 46.5" require rod connector set.

Item #	Description
1	B20Q153ZA AVENTOS HL Rod Connector Set
2	B20Q153ZN AVENTOS HS Rod Connector Set

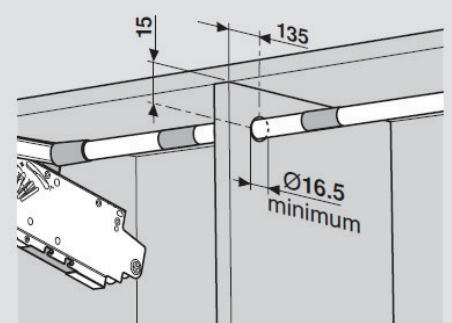
Mounting through a center panel



AVENTOS HL



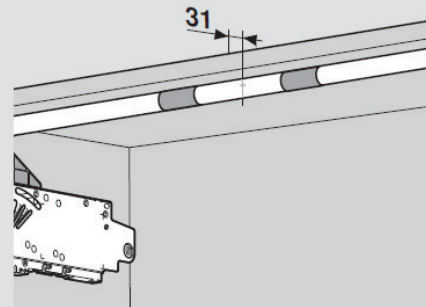
AVENTOS HS



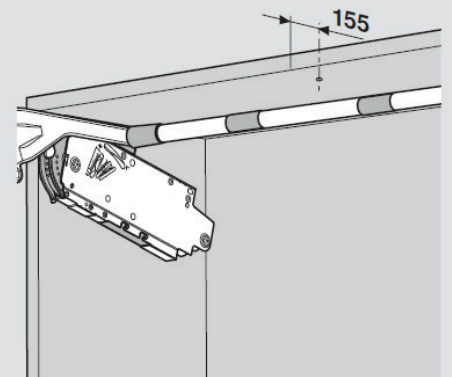
Mounting without a center panel



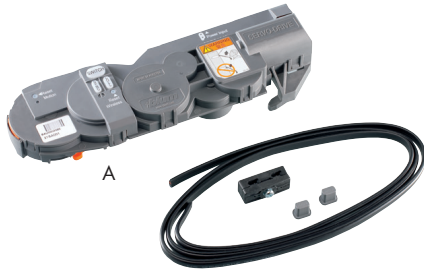
AVENTOS HL



AVENTOS HS

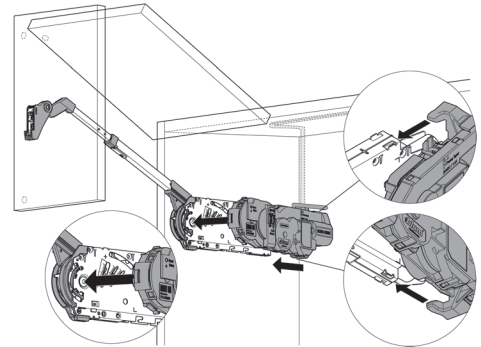


BLUM SERVO-DRIVE FOR AVENTOS

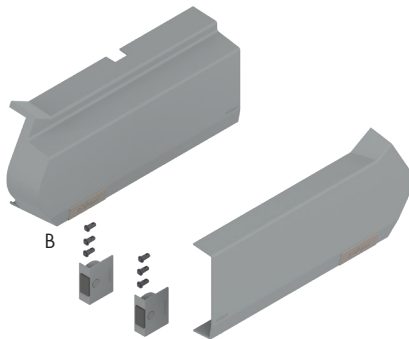


AVENTOS HF SERVO-DRIVE Set

- A) Set Includes:
- Drive unit
 - 60" universal cable
 - Cable connector
 - Cable end protector (qty 2)



Item #
B21FA000



AVENTOS HF Cover Sets

- B) Set Includes:
- SERVO-DRIVE cover plate (left)
 - Cover plate (right)
 - Non-handed cover caps (qty 2)
 - SERVO-DRIVE switches (qty 2)
 - 5mm Blum distance bumpers (qty 6)

Item #	Finish
B21F8020NA-HGIG	Light Gray
B21F8020NA-SWIG	Silk White
B21F8020NA-TGIG	Dark Gray



A
B
C
D
E
F
G
H
I
J
K
L
M
N
O
P
Q
R
S
T
U
V
W
X
Y

POWER SUPPLY OPTIONS ON PAGE C-19

A BLUM SERVO-DRIVE FOR AVENTOS

A
B
C
D
E
F
G
H
I
J
K
L
M
N
O
P
Q
R
S
T
U
V
W
X
Y



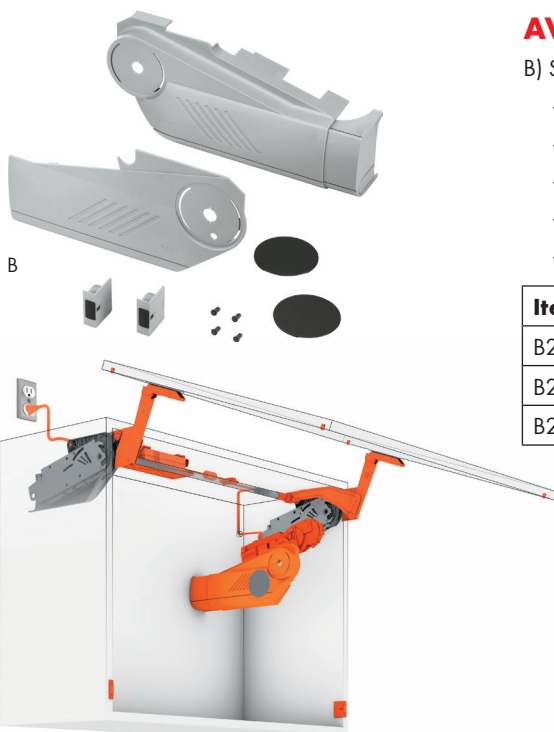
AVENTOS HS SERVO-DRIVE Set



A) Set Includes:

- Drive unit
- 60" universal cable
- Cable connector
- Cable end protector (qty 2)

Item #
B21FA000

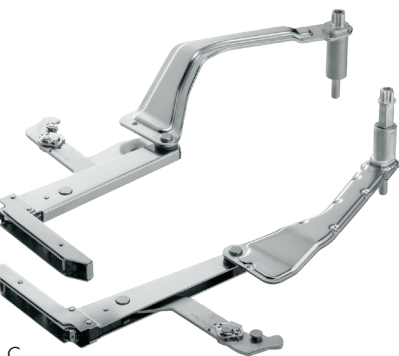


AVENTOS HS Cover Sets

B) Set Includes:

- SERVO-DRIVE cover plate (left)
- Cover plate (right)
- Non-handed cover caps (qty 2)
- SERVO-DRIVE switches (qty 2)
- 5mm Blum distance bumpers (qty 6)

Item #	Finish
B21S8020NA-HGIG	Light Gray
B21S8020NA-SWIG	Silk White
B21S8020NA-TGIG	Dark Gray



AVENTOS HS Arm Assembly Set

C) Set Includes:

- SERVO-DRIVE arm assembly (left)
- Standard arm assembly (right)
- Stabilizer rod cover cap (qty 2)

NOTE: Stabilizer rod cutting dimension for SERVO-DRIVE application is length = interior cabinet width minus 6-7/16" (164mm).

Item #
B21S3500.01

POWER SUPPLY OPTIONS ON PAGE C-19

BLUM SERVO-DRIVE FOR AVENTOS

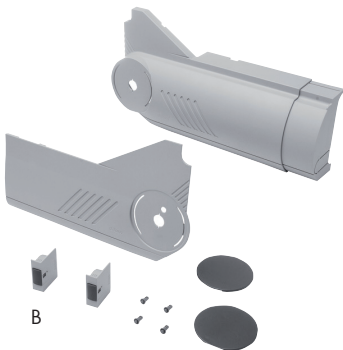


AVENTOS HL SERVO-DRIVE Set

- A) Set Includes:
- Drive unit
 - 60" universal cable
 - Cable connector
 - Cable end protector (qty 2)

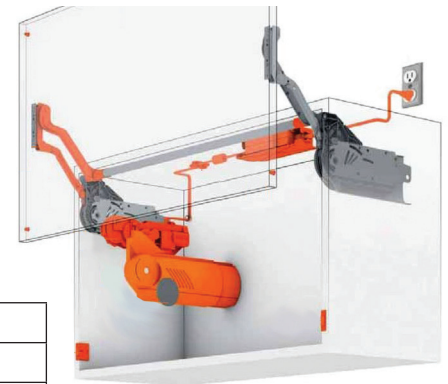


Item #
B21FA000



AVENTOS HL Cover Sets

- B) Set Includes:
- SERVO-DRIVE cover plate (left)
 - Cover plate (right)
 - Non-handed cover caps (qty 2)
 - SERVO-DRIVE switches (qty 2)
 - 5mm Blum distance bumpers (qty 6)



Item #	Finish
B21L8020NA-HGIG	Light Gray
B21L8020NA-SWIG	Silk White
B21L8020NA-TGIG	Dark Gray



AVENTOS HL Arm Assembly Sets

- C) Set Includes:
- SERVO-DRIVE arm assembly (left)
 - Standard arm assembly (right)
 - Stabilizer rod cover cap (qty 2)

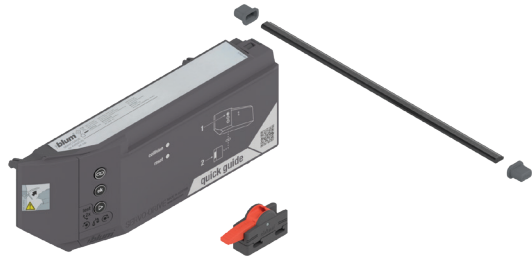
NOTE: Stabilizer rod cutting dimension for SERVO-DRIVE application is length = interior cabinet width minus 6-7/16" (164mm).

Item #	Cabinet Height
B21L3200.01	300mm to 349mm
B21L3500.01	350mm to 399mm
B21L3800.01	400mm to 550mm
B21L3900.01	450mm to 580mm

A
B
C
D
E
F
G
H
I
J
K
L
M
N
O
P
Q
R
S
T
U
V
W
X
Y

POWER SUPPLY OPTIONS ON PAGE C-19

A BLUM SERVO-DRIVE FOR AVENTOS



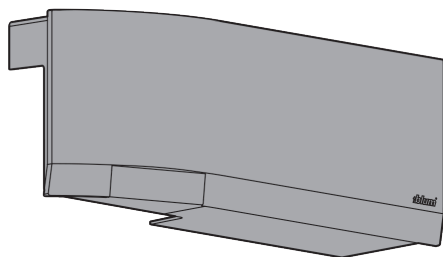
AVENTOS HK top SERVO-DRIVE Set



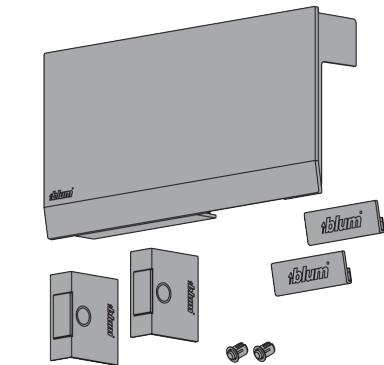
- A) Set Includes:
- Drive unit
 - 60" universal cable
 - Cable connector
 - Cable end protector (qty 2)

Item #
B23KA000

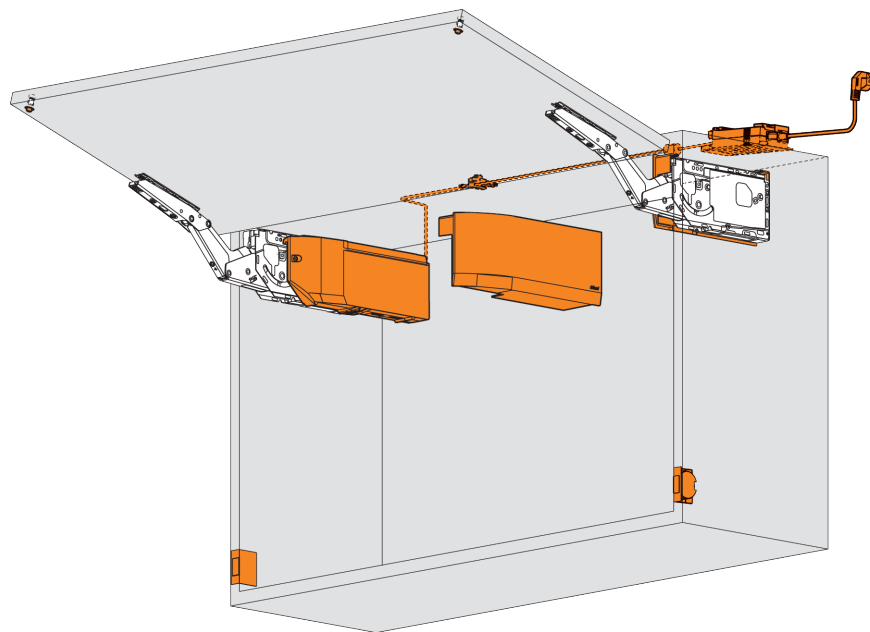
H IVENTOS HK top Cover Sets



- B) Set Includes:
- SERVO-DRIVE cover plate (left)
 - Cover plate (right)
 - Non-handed cover caps (qty 2)
 - SERVO-DRIVE switches (qty 2)
 - 5mm Blum distance bumpers (qty 2)



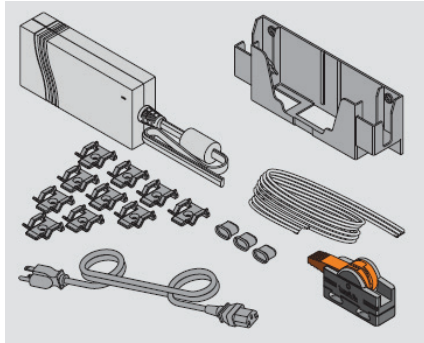
Item #	Finish
B23K8000NA-HGIG	Light Gray
B23K8000NA-SWIG	Silk White
B23K8000NA-TGIG	Dark Gray



POWER SUPPLY OPTIONS ON PAGE C-19

BLUM SERVO-DRIVE FOR AVENTOS ELECTRICAL COMPONENTS

A
B
C
D
E
F
G
H
I
J
K
L
M
N
O
P
Q
R
S
T
U
V
W
X
Y



Power Supply Set

- Set Includes:
 - Power supply
 - Wall mount bracket
 - Three-prong power cord
 - Cable connector
 - Cable end protector (qty 3)
 - Cable clips (qty 10)
 - 19 feet of universal cable



Item #
BZ10NE03UG10



SERVO-DRIVE Power Supply Components

- Supplies power for up to 16 drive units
- Energy Star Level VI
- UL certified
- Connect to switched GFCI outlet
- Cable length is six feet
- Three-prong power cord required



Item #	Description
BZ10NE030G	Power Supply
BZ10M200U	Three-prong Power Cord



SERVO-DRIVE uno Power Supply

- Supplies power to a single drive unit
- 44" power cord
- Extendable up to 6 feet using cable connectors (sold separately)



Item #
BZ10NA30UGF



SERVO-DRIVE Switch

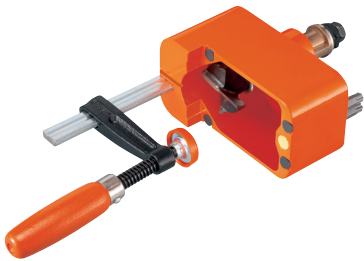
- For adding additional activation switches to a SERVO-DRIVE for AVENTOS application
- Up to six switches can be added per drive unit
- Note: A switch can only be synchronized to one drive unit
- Comes in a set of 2



Item #	Finish
B23P5020-LG	Light Gray
B23P5020-SW	Silk White
B23P5020-DG	Dark Gray

A BLUM AVENTOS ASSEMBLY AIDS

B
C
D
E
F
G
H
I
J
K
L
M
N
O
P
Q
R
S
T
U
V
W
X
Y



SERVO-DRIVE Switch Boring Template

- For easy installation of SERVO-DRIVE for AVENTOS switch
- Clamp assembly for secure boring
- Set Includes:
 - 35mm bit
 - Torx driver bit (qty 2)



Item #
BM31.2000



PLATEMATE

- Boring template for all Blum face frame adapter plates
- Clamps to the frame with cam lever
- Adjustment knob accomodates face frame thickness of 5/8" to 1"
- Spacer screws allow quick use without measuring
- Set Includes:
 - 1) PLATEMATE Template
 - 2) 2.5mm Pilot Bit and Extension
 - 3) 5mm Stop Collar



Item #
B65.5030.01



POZI DRIVER and Bits

Item #	Description	Box Qty
BPD	#2 POZI DRIVER	20
BMAGHLDR	1/4" Magnetic Bit Holder	1
B2X1POZIBIT	#2 x 1" POZI Bit Insert	1

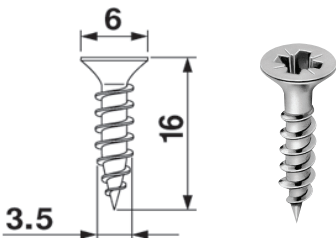


3mm Vix Bit

- For use in handheld drills



Item #
BPVPB5

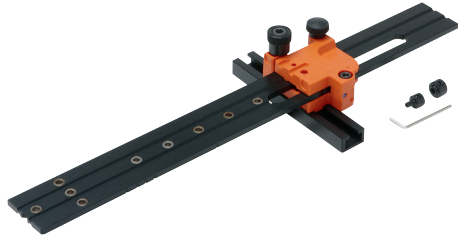


Screws		
Item #	Description	Box Qty
B606P-1000	#6 x 5/8", #2 POZI Wood Screw	1000



BLUM AVENTOS ASSEMBLY AIDS

A
B
C
D
E
F
G
H
I
J
K
L
M
N
O
P
Q
R
S
T
U
V
W
X
Y

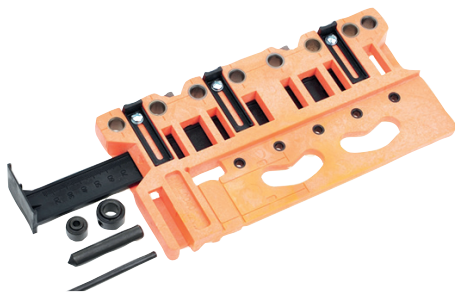


Universal Individual Template

- Used for pre-boring holes for LEGRABOX, TANDEMBOX, and TANDEM drawer runners
- Can also be used to pre-bore for AVENTOS locating pins and pre-boring for hinge mounting plates
- Calibrated scales for accurate setting
- Set includes:
 - Universal individual template
 - 2.5mm stop collar
 - 5mm stop collar



Item #
B65.1051.02

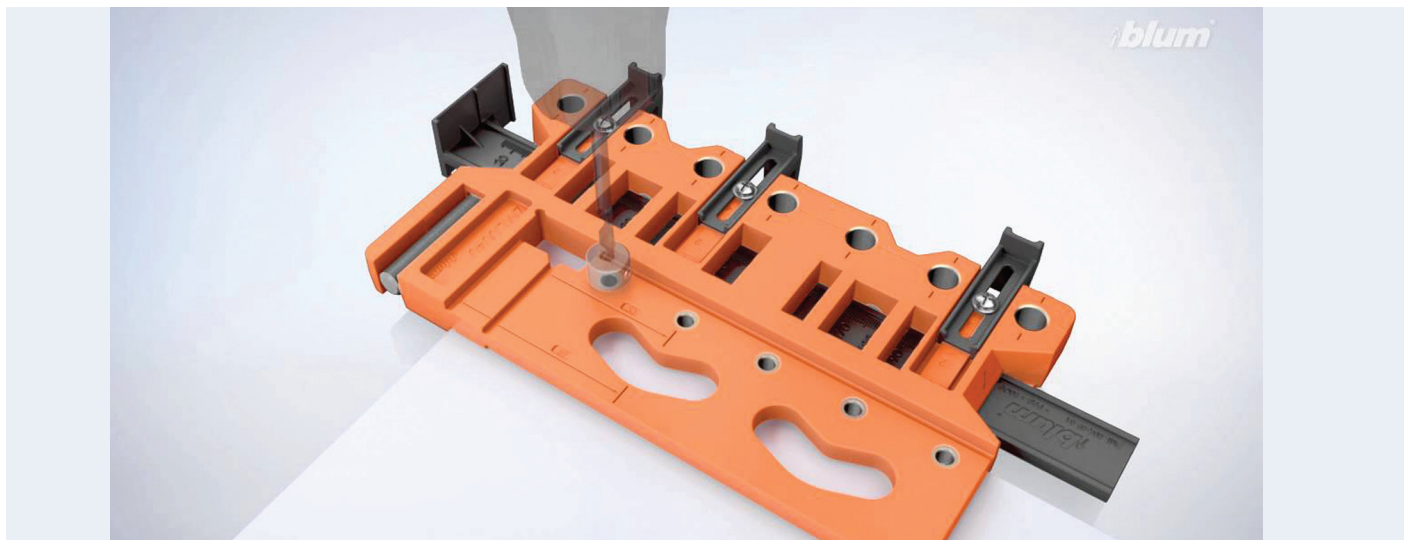


Universal Boring Template

- Used for boring drawer fronts and located all fixing positions
- Used to pre-bore for drawer fronts, bottoms and backs for LEGRABOX, TANDEMBOX, METABOX drawer systems, and AVENTOS mounting plates
- Set includes
 - Template
 - 5mm marking pin
 - 10mm marking pin
 - 5mm stop collar
 - 10mm stop collar



Item #
BZML.0040



A
B
C
D
E
F
G
H
I
J
K
L
M
N
O
P
Q
R
S
T
U
V
W
X
Y

GRASS KINVARO LIFT SYSTEMS



Kinvaro F-20 Bi-Fold Lifter



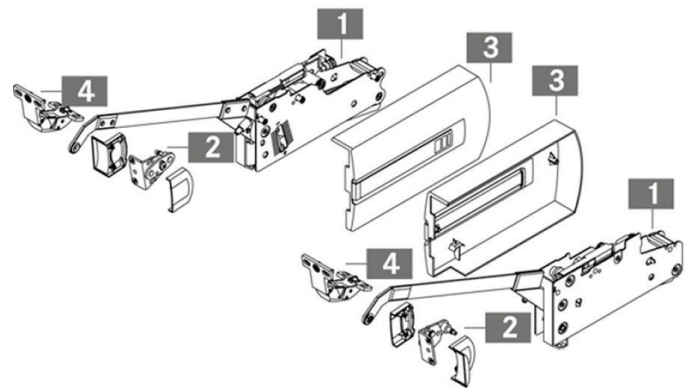
- Holds flap securely in any position
- Adjustable spring force
- Integrated adjustable closing damper
- Flap with 3-dimensional adjustment - height, side, angle: Direct adjustment ± 1.5 mm
- Hinge with 3-dimensional adjustment - height, side, and depth
- Opening limiter adjustable to 90°
- Wide range of applications for many different flap materials
- Face Frame adapter available
- Weight 9.7 to 42.3 lbs.
- Range of flaps:
Width: 15-3/4" - 47-1/4" (400mm - 1200mm)
Height: 22-1/16" - 35-7/16" (560mm - 900mm)
- Cover caps in grey

Item #	Cabinet Height Range	Door Weight Range
Spring B		
GKIN152145238201	22-1/16" - 23-19/32" (560mm - 599mm)	9.7 - 27.8 lbs
Spring C		
GKIN152145241201	23-5/8" - 25-9/16" (600mm - 649mm)	15.0 - 34.8 lbs
GKIN152145243201	25-19/32" - 27-17/32" (650mm - 699mm)	14.8 - 37.3 lbs
GKIN152145244201	27-9/16" - 29-1/2" (700mm - 749mm)	14.3 - 36.2 lbs
Spring D		
GKIN152145247201	29-17/32" - 35-7/16" (750mm - 900mm)	14.3 - 42.3 lbs

Frame Adapters	
Item #	Description
GKIN151135906201	Face frame adapter (2x) for wood frames with fixing screws (8x)

Kinvaro F-20 Set includes:

1. Fitting, right and left (1)
 2. Screw-on bracket for wood, includes (2) cover caps
 3. Cover caps on right and left (1)
 4. Break away center hinges (2)
- Also includes (1) paper template, (1) installation instructions



GRASS KINVARO LIFT SYSTEMS

A
B
C
D
E
F
G
H
I
J
K
L
M
N
O
P
Q
R
S
T
U
V
W
X
Y



Kinvaro L-80 Parallel Lifter



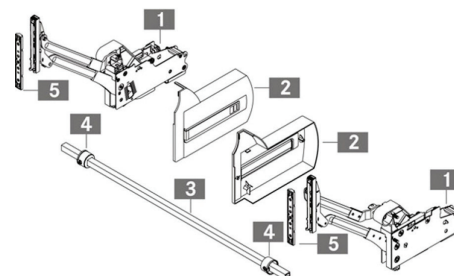
- Holds flap securely in any position
- Adjustable spring force
- Integrated adjustable closing damper
- Flap with 3-dimensional adjustment - height, side, angle: Direct adjustment ± 1.5 mm
- Wide range of applications for many different flap materials
- Face Frame adapter available
- Weight 4 to 32 lbs.
- Range of flaps:
Width: 17-23/32" - 47-1/4" (450mm - 1200mm)
Height: 13-25/32" - 23-5/8" (350mm - 600mm)
- Cover caps in grey

Item #	Cabinet Height Range	Door Weight Range
Spring A		
GKIN152145248201	13-25/32" - 14-17/32" (350mm - 369mm)	5.5 - 14.3 lbs
GKIN152147440201	14-9/16" - 15-5/16" (370mm - 389mm)	5.1 - 13.2 lbs
GKIN152147441201	15-11/32" - 16-3/32" (390mm - 409mm)	4.6 - 12.1 lbs
GKINF152147442201	16-1/8" - 16-7/8" (410mm - 429mm)	4.2 - 11.0 lbs
GKINF152147443201	16-15/16" - 23-5/8" (430mm - 600mm)	4.4 - 9.9 lbs
Spring B		
GKIN152147444201	13-25/32" - 14-17/32" (350mm - 369mm)	13.2 - 20.9 lbs
GKIN152145249201	14-9/16" - 15-5/16" (370mm - 389mm)	12.1 - 19.8 lbs
GKIN152145251201	15-11/32" - 16-3/32" (390mm - 409mm)	11.0 - 18.7 lbs
GKIN152145281201	16-1/8" - 16-7/8" (410mm - 429mm)	9.9 - 17.6 lbs
GKIN152145253201	16-15/16" - 23-5/8" (430mm - 600mm)	8.8 - 16.5 lbs
Spring C		
GKIN152145250201	14-9/16" - 15-5/16" (370mm - 389mm)	18.7 - 21.2 lbs
GKIN152145252201	15-11/32" - 16-3/32" (390mm - 409mm)	17.6 - 22.3 lbs
GKIN152145282201	16-1/8" - 16-7/8" (410mm - 429mm)	16.5 - 32.2lbs
GKIN152145254201	16-15/16" - 23-5/8" (430mm - 600mm)	15.4 - 32.2 lbs

Frame Adapters	
Item #	Description
GKIN151135906201	Face frame adapter (2x) for wood frames with fixing screws (8x)

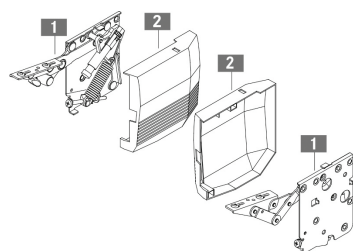
Kinvaro L-80 Set includes:

1. Fitting, right and left (1)
 2. Cover caps on right and left (1)
 3. 1090mm cross bar for cutting to length (1)
 4. Sliding sleeves (2)
 5. Mounting plates (2)
- Also includes paper template (1) and installation instructions (1)



A
B
C
D
E
F
G
H
I
J
K
L
M
N
O
P
Q
R
S
T
U
V
W
X
Y

GRASS KINVARO LIFT SYSTEMS



Kinvaro T-65 Lift-Up Flap Fitting

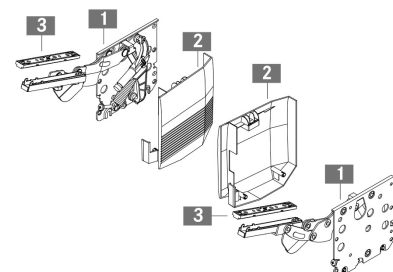


- Weight 1.3 to 16.3 lbs.
- Variable opening angle - holds flap securely at any angle between 45° and 100°
- Adjustable spring force with integrated adjustable closing damper
- Adjustable flap height ± 3.0 mm
- No hinges fitted to the top panel
- Range of Flaps: Width: Up to 47-1/4" x Height: 9-27/32" - 23-5/8"

Item #	Version for	Overlay
GKIN151147682201	Wood	Variable
Frame Adapters		
Item #	Description	
GKIN151135905201	Face frame adapter (2x) for wood frames with fixing screws (8x)	

Kinvaro T-65 Set includes:

1. Fitting on the right without and on the left with damper (1)
 2. Cover caps on right and left (x)
- Also includes yellow loose springs (2), paper template (1) and installation instructions (1)



Kinvaro T-71 Lift-Up Fitting



- Weight 3.1 to 18.7 lbs.
- Variable opening angle - holds flap securely at any angle between 45° and 110°
- Adjustable spring force with integrated adjustable closing damper
- Flap 3 dimensionally adjustable - height, side, angle: direct adjustment ± 1.5 mm
- No hinges fitted to the top panel
- Range of Flaps: Width: Up to 47-1/4" x Height: 11-13/16" - 23-5/8"

Item #	Version for	Overlay
GKIN151147696201	Wood	Variable
Frame Adapters		
Item #	Description	
GKIN151135905201	Face frame adapter (2x) for wood frames with fixing screws (8x)	

Kinvaro T-71 Set includes:

1. Fitting on the right without and on the left with damper (1)
 2. Cover caps on right and left (1)
 3. Mounting plates (2)
- Also includes orange loose springs (2), paper template (1) and installation instructions (1)

GRASS KINVARO LIFT SYSTEMS

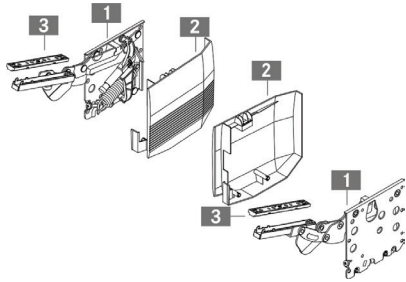
A
B
C
D
E
F
G
H
I
J
K
L
M
N
O
P
Q
R
S
T
U
V
W
X
Y



Kinvaro T-76 Lift-Up Fitting



- Weight 11.5 to 24.25 lbs.
- Variable opening angle - holds flap securely at any angle between 45° and 110°
- Adjustable spring force with integrated adjustable closing damper
- Flap 3 dimensionally adjustable - height, side, angle: direct adjustment ±1.5 mm
- No hinges fitted to the top panel
- Range of Flaps: Width: Up to 47-1/4" x Height: 15-3/4" to 23-5/8"



Item #	Version for	Overlay
GKIN151147706201	Wood	Variable
Frame Adapters		
Item #	Description	
GKIN151135905201	Face frame adapter (2x) for wood frames with fixing screws (8x)	

Kinvaro T-76 Set includes:

1. Fitting on the right without and on the left with damper (1)
2. Cover caps on right and left (1)
3. Mounting plates (2)

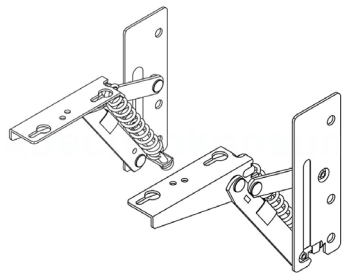
Also includes orange loose springs (2), paper template (1) and installation instructions (1)



Kinvaro T-57 Lift-Up Fitting



- Opening angle adjustable to 75° or 90°
- Adjustable spring force
- Adjustable flap height ±1.0 mm
- No hinges fitted to the top panel
- Allows additional cabinet installation above
- Can be used for wooden flaps
- Weight 2.2 to 13.7 lbs.
- Range of Flaps:
 - Width: Up to 47-1/4" (1200mm)
 - Height: 11-13/16" - 23-5/8" (300mm - 600mm)
- High quality finish, nickel-plated



Item #	Version for	Overlay
GKINF151145224517	Wood	Variable

Kinvaro T-57 Set includes:

1. Fitting, right and left (1)

Also includes paper template (1x) and installation instructions (1)

A
B
C
D
E
F
G
H
I
J
K
L
M
N
O
P
Q
R
S
T
U
V
W
X
Y

GRASS KINVARO LIFT SYSTEMS



Kinvaro T-105 Flap Stay



- Variable opening angle - holds flap securely at any angle between 45° and 105°
- Spring-supported opening function
- Convenient access, flap lifts clear of the work area
- Allows additional cabinet installation above
- Can be used for wooden flaps
- Maintenance-free, no re-adjustment required
- Range of Flaps:
Width: Up to 47-1/4" (1200mm)
Height: 9-27/32" - 19-11/16" (250mm - 500mm)
- High quality zinc diecasting, nickel-plated

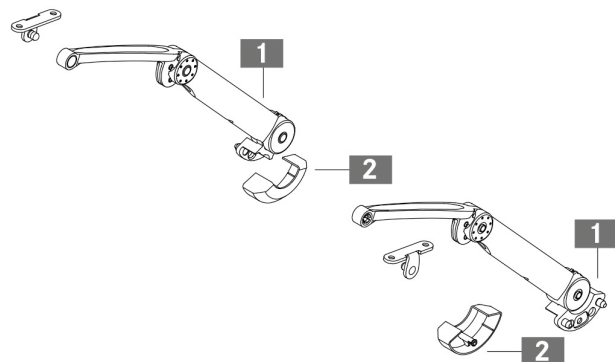
Item # Left	Item # Right	Version for	Overlay
GKIN151145220513	GKIN151145221513	Wood	Variable

Application Range

Cabinet Height	Number of flap stays	Flap weight includes handle lbs. (kg)
		Spring, standard
9-27/32" (250mm)	1	3.1 - 9.7 (1.4 - 4.4)
	2	7.5 - 19.6 (3.4 - 8.9)
11-13/16" (300mm)	1	3.5 - 9.5 (1.6 - 4.3)
	2	7.1 - 19.0 (3.2 - 8.6)
13-25/32" (350mm)	1	2.9 - 9.0 (1.3 - 4.1)
	2	5.7 - 17.9 (2.6 - 8.1)
15-3/4" (400mm)	1	2.9 - 7.5 (1.3 - 3.4)
	2	5.7 - 15.0 (2.6 - 6.8)
17-23/32" (450mm)	1	2.6 - 6.6 (1.2 - 3.0)
	2	5.3 - 13.4 (2.4 - 6.1)
19-11/16" (500mm)	1	2.4 - 6.4 (1.1 - 2.9)
	2	4.9 - 12.8 (2.2 - 5.8)

Kinvaro T-105 Set includes:

1. Fitting, right or left (1)
 2. Cover caps, right or left, in black (1)
- Also includes paper template (1) and installation instructions (1)



GRASS KINVARO LIFT SYSTEMS

A
B
C
D
E
F
G
H
I
J
K
L
M
N
O
P
Q
R
S
T
U
V
W
X
Y



Kinvaro D-M Flap Stay with Pull Cable



- Opening angle adjustable (length of cable)
- Spring force adjustment
- Can be used with shallow cabinets from 110mm (4-5/16") depth
- Flap weight up to 10 kg (22 lb)
- Flap height 200mm - 480mm (7-7/8" - 18-7/8")
- Can be used on left/right side of cabinet
- Easy to install horizontally or vertically
- Works perfectly with Tiomos flap hinge
- Packaged in full boxes of 10. Available any quantity.



Kinvaro D-M Flap Stay - Includes Front Holder and Fixing Screws		
Item #	Springs	Color
GKINF053139661607	60N	Grey
GKINF053139662607	100N	Grey



Cover Caps for Kinvaro D-M	
Item #	Color
GKINF053139668507	White
GKINF053139669507	Night
GKINF053139670507	Smoke



Kinvaro D-S Flap Stay with Pull Cable



- Opening angle adjustable (length of cable)
- Can be used with shallow cabinets from 82mm (3-1/4") depth
- Flap height 200mm - 480mm (7-7/8" - 18-7/8")
- Can be used on left/right side of cabinet
- Easy to install horizontally or vertically
- In White or Night finish
- Works perfectly with Tiomos flap hinge



Kinvaro D-S Flap Stay - Includes Front Holder and Fixing Screws		
Item #	Springs	Color
GKINF053139664607	40N	White
GKINF053139665607	40N	Night
GKINF053139666607	60N	White
GKINF053139667607	60N	Night

A
B
C
D
E
F
G
H
I
J
K
L
M
N
O
P
Q
R
S
T
U
V
W
X
Y

GRASS TIOMOS FLAP HINGES

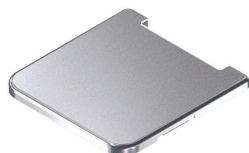


Tiomos 90° Hinges for Flap Doors



- Sleek modern design
- 90° opening angle
- For flap thicknesses of up to 30mm (1-3/16")
- Narrow joint
- Large overlay of up to 19mm (3/4")
- 3-dimensional adjustment
- Compatible with Tipmatic pin system
- Compatible with Kinvaro D-M/D-S flap system
- Packaged in full boxes of 100. Available any quantity

Flap Hinges			
Item #	Description	Finish	Cup Depth
GTIOF053139671223	For Flap Thicknesses of 14-21mm	Nickel	12mm
GTIOF053139677223	For Flap Thicknesses of 14-21mm	Night	12mm
GTIOF053139672223	For Flap Thicknesses of 22-28mm	Nickel	17mm
GTIOF053139678223	For Flap Thicknesses of 22-28mm	Night	17mm

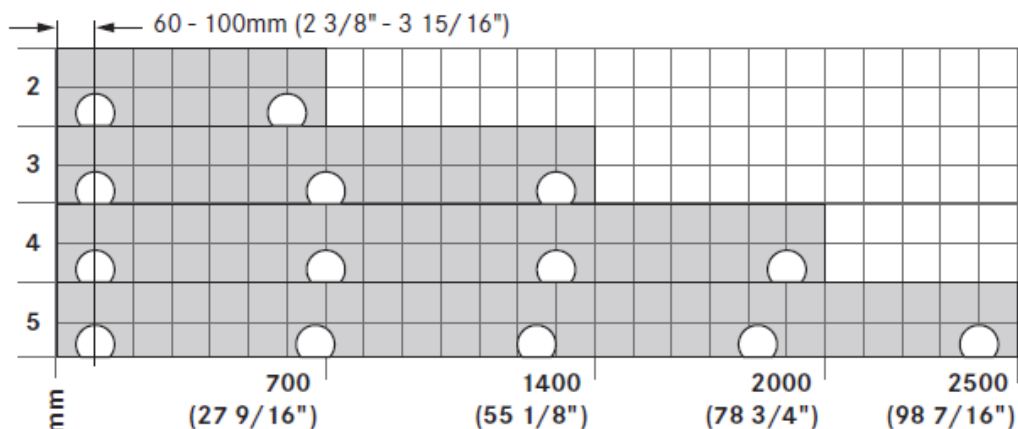


Cover Caps for Flap Hinges		
Item #	Description	Box Qty
GTIOF053139675223	Steel, Nickel-Plated	100
GTIOF053139683223	Steel, Night	100



1.5mm Spacers for Tiomos Flap Hinges		
Item #	Description	Box Qty
GTIOF053139676223	Steel, Nickel-Plated	100
GTIOF053139684223	Steel, Night	100

Number of Flap Hinges Per Door



SALICE WIND LIFT SYSTEMS



Salice WIND Lift System

SALICE

- Can be used with doors as small as 8-5/8" tall
- Can be mounted to the side or the top of the cabinet
- Can be used for very wide doors by simply adding additional mechanisms
- Simple motion speed adjustment after installation
- Multiple cover cap color choices
- Height, depth, and side adjustments by automatic cam
- Attached to the door using a standard 35mm bore
- See QR code for WIND installation video



Soft-Close WIND System

Item #	Type	Min Door Height	Max Door Height	Spring Color Code
SALFRAKFEXWSN9	W	8-5/8"	15-3/4"	White spring/free swing
SALFRAKFEXDSN9	D	8-5/8"	24"	Yellow spring/free swing
SALFRAKFEXISN9	I	12-9/16"	24"	Yellow spring/yellow spring
SALFRAKFEXFSN9	F	12-9/16"	24"	Black spring/black spring
SALFRAKFEXSSN9	S	12-9/16"	24"	Red spring/red spring

NOTE: Kit includes mechanism, left & right adapters, 2 door cups, and system screws

Push-to-Open WIND System

Item #	Type	Min Door Height	Max Door Height	Spring Color Code
SALFRAKFEPWSN9	W	8-5/8"	15-3/4"	White spring/free swing
SALFRAKFEPDSN9	D	8-5/8"	24"	Yellow spring/free swing
SALFRAKFEPISN9	I	12-9/16"	24"	Yellow spring/yellow spring
SALFRAKFEPFSN9	F	12-9/16"	24"	Black spring/black spring
SALFRAKFEPSSN9	S	12-9/16"	24"	Red spring/red spring

NOTE: Kit includes mechanism, left & right adapters, 2 door cups, and system screws



WIND Cover Sets

Item #	Color
SALSRXA78AMSXXF	Gray
SALSRXA78A1SNXXF	White
SALSRXA78AQSXXF	Glossy White
SALSRXA78AOSXXF	Satin Black
SALSRXA78ANSXXF	Glossy Black
SALSRXA78AISXXF	Steel
SALSRXA78ACSNXXF	Champagne

A
B
C
D
E
F
G
H
I
J
K
L
M
N
O
P
Q
R
S
T
U
V
W
X
Y

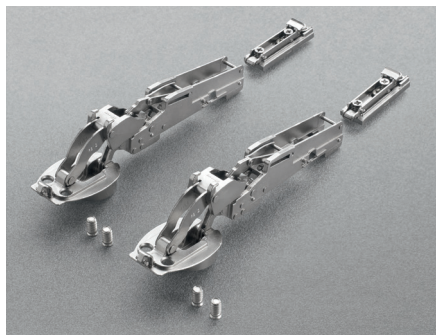
A SALICE PACTA HINGES



Salice Pacta Hinge

SALICE

- Compact hinge system for drop down doors without the need for additional cables or flap stays
- Ideal for use in kitchens, bathrooms, closets, and commercial applications
- Soft opening for a controlled and gradual opening
- In the fully open position, the door and cabinet bottom panel are aligned for a smooth surface
- A center hinge can be added for wider cabinet applications 30" or wider
- Available in Soft Opening with Self close **or** Soft Opening with Push-to-open for handle-less doors
- Covers are offered in a variety of finishes to complement and blend with any interior
- Minimum door height: 11"
- Maximum door height: 16"
- 50 lb. load rating



Pacta Manual Open, Self-Close, Soft-Down

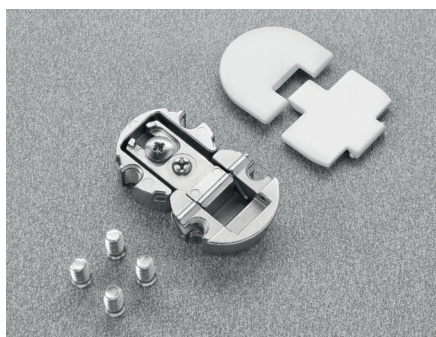
Includes: Hinges, mounting plates, Smoves and screws

	Item #	Description
A	SALFRBKFEFWSN9	Pacta Type W Soft Close, Gray Smove, Light Duty
	SALFRBKFEFISN9	Pacta Type I Soft Close, Tan Smove, Medium Duty
	SALFRBKFEFSSN9	Pacta Type S Soft Close, Red Smove, Heavy Duty

Pacta Push-to-Open, Soft-Down

Includes: Hinges, mounting plates, Smoves, and screws. Magnetic release devices sold separately

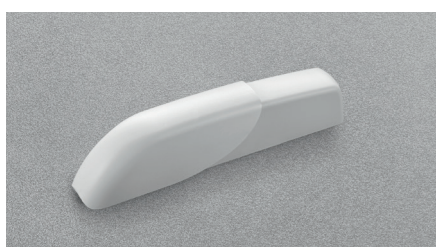
	Item #	Description
A	SALFRBKFEFWSN9	Pacta Type W Push-Open, Gray Smove, Light Duty
	SALFRBKFEFISN9	Pacta Type I Push-Open, Tan Smove, Medium Duty
	SALFRBKFEFSSN9	Pacta Type S Push-Open, Red Smove, Heavy Duty



Pacta Center Hinges

Includes: (1) hinge, (1) hinge cover and Euro screws

	Item #	Description
B	SALFRCK59RUXX1	Pacta Type 1 Center Hinge, White
	SALFRCK59RUXXQ	Pacta Type Q Center Hinge, Glossy White
	SALFRCK59RUXXM	Pacta Type M Center Hinge, Gray
	SALFRCK59RUXX0	Pacta Type O Center Hinge, Satin Black



Pacta Cover Kits

Includes (2) covers

	Item #	Description
C	SALSRXB78A1XXXXF	Pacta Type 1 Cover Set, White
	SALSRXB78AQXXXXF	Pacta Type Q Cover Set, Glossy White
	SALSRXB78AMXXXXF	Pacta Type M Cover Set, Gray
	SALSRXB78AOXXXXF	Pacta Type O Cover Set, Satin Black

STAYS

A
B
C
D
E
F
G
H
I
J
K
L
M
N
O
P
Q
R
S
T
U
V
W
X
Y



PRO Lift Systems

- High quality, value priced lift systems perfect for your next project
- Easy installation - Every Pro Lift Stay comes individually packaged with easy to follow instructions
- Easy lift up or lift down



Lifetime Warranty

Once you install your Würth PRO Lift Stay, you can have peace of mind that your project will function properly for years to come.

PRO Clock

- 75°, 90°, and 110° opening angles
- Braking motion is adjustable
- Heavy duty zinc die cast construction
- Works as both a lid stay and flap stay
- Door mount and cabinet mount brackets included

Item #
PRO-CLOCK



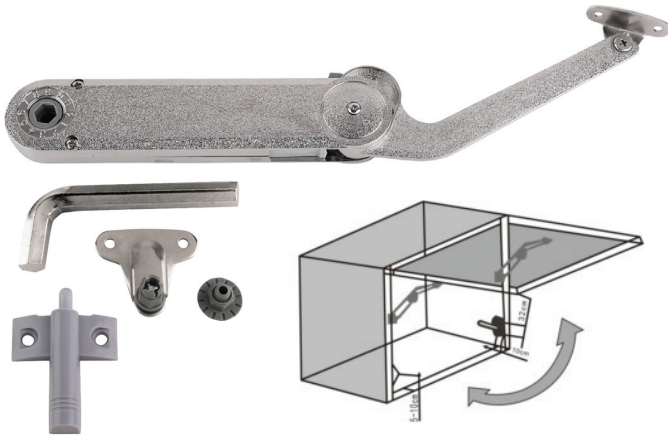
PRO Up & Down Stays

- Both feature soft motion movement
- Up Stays offer 75°, 90°, and 110° opening angles
- Use with 110 degree European hinges and plates
- Will hold securely in open and closed positions
- Door and cabinet brackets included



Item #	Style	Load Capacity
PRO-US-080N	Up Stay	80N (18 lbs)
PRO-US-100N	Up Stay	100N (22.5 lbs)
PRO-US-120N	Up Stay	120N (27 lbs)
PRO-DS-60N	Down Stay	60N (13.5 lbs)
PRO-DS-80N	Down Stay	80N (18 lbs)

A STAYS



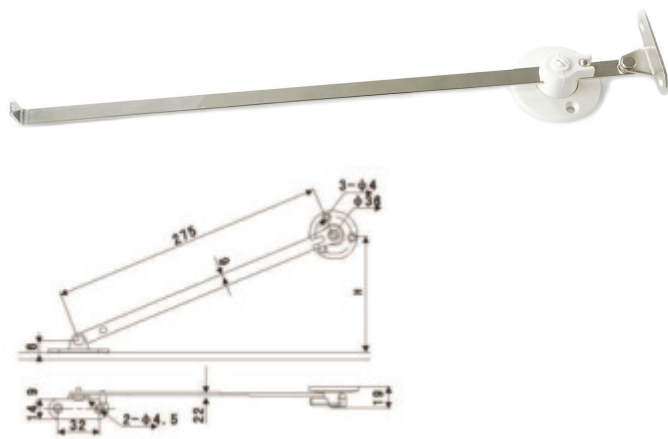
PRO Heavy Duty Lid Stays

- 90° Angle Opening
- Adjustable with hex key (included)
- Left or right mounted
- Soft-close damper included
- Nickel-plated



Item #
PRO-HD-LS

B
C
D
E
F
G
H
I
J
K
L
M
N
O
P
Q
R
S
T
U
V
W
X
Y

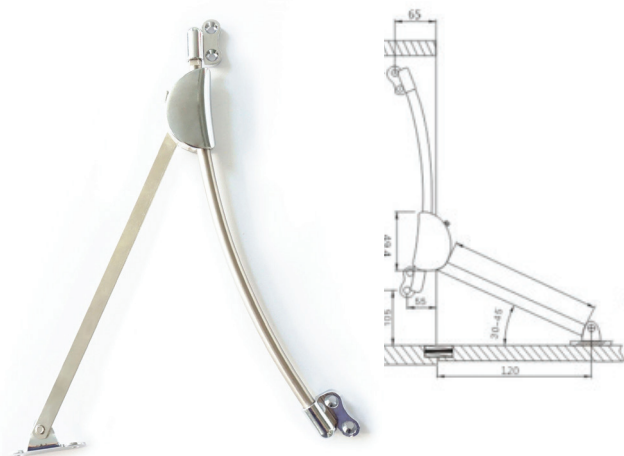


PRO Drop Stays

- Adjustable braking action
- Screw-mounted
- 8lb load capacity
- 15.5" minimum cabinet height needed
- Nickel-plated finish
- Non-handed; works on both right and left hand applications



Item #
PRO-DROPSTAY-23



PRO Drop Stays

- Adjustable braking action
- Screw-mounted
- 11lb load capacity
- Nickel-plated finish
- White plastic housing
- Non-handed; works on both right and left hand applications

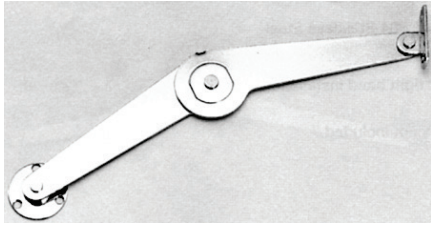


Item #
PRO-DROPSTAY-16

LIFETIME WARRANTY

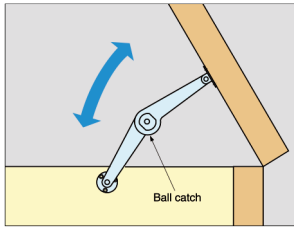
Once you install your Würth PRO Lift Stay, you can have peace of mind that your project will function properly for years to come.

STAYS

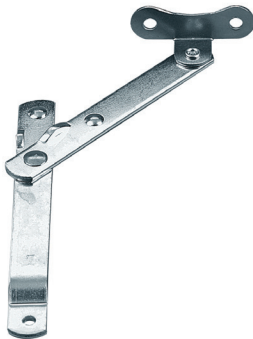


Lid Support With Lock-Out

- Friction lock in the open position. Apply pressure to release
- Pivot is fastened to the side wall of the cabinet. Foot mounts to underside of the lid
- Material/Finish: Steel, Chrome-Plated. Nylon washer
- Specifications: 8-1/2"L
- Catch holds cabinet door open
- Lid stay with ball catch for lightweight doors
- Catch automatically holds lid in opened position
- Can be installed individually or in pairs
- Handed: Specific left and right hand mounting



Item #	Mount Type	Sold In
SGS-20R	Right Hand	Per Each
SGS-20L	Left Hand	Per Each



Drop Lid Support

- A hinged lid support with a "snap-lock" in the fully open position
- Handed and sold by the pair
- Screws included



Item #	Length	Made of	Finish	Sold In
KV472-6	6"	Steel	Nickel Plated	Per Pair
KV472-10	10"	Steel	Nickel Plated	Per Pair



Lid Stay

- For downward-opening flap doors
- Can be installed individually or in pairs
- Non-handed, can be installed on left or right side
- Made of stainless steel



Item #	Size	Load Capacity	Sold In
SGHS-210	9-29/64"L	26.5 lbs.	Per Each
SGHS-240	10-5/8"L	28.5 lbs.	Per Each

A
B
C
D
E
F
G
H
I
J
K
L
M
N
O
P
Q
R
S
T
U
V
W
X
Y

A STAYS



Top-Opening Soft-Down Stay



- Designed to be used for top opening lids on chests
- Holds door in fully open position, at 105 degree position
- Unhanded
- Can be used with piano, concealed and drop hinges
- Tested up to 30,000 cycles with a torque rating of 35 per stay and 70 torque rating for a pair of stays used together
- Screws included

NOTE: Torque rating = lid height x lid weight x 1/2.

Item #	Degree of Opening	Finish	Sold In
SGSDS210-WH	105°	White	Per Each



B
C
D
E
F
G
H
I
J
K
L
M
N
O
P
Q
R
S
T
U
V
W
X
Y



Top-Opening Adjustable Soft-Down Stays



- For top-opening lids, holds door in both closed position and open at 70 or 105° angles, depending on positioning
- Speed adjustment screw allows for varying speeds of soft-close downward movement
- Tested to 50,000 cycles, screws included
- Has adjustable 19 to 60 lbs. per square inch torque rating range per piece and 38 to 120 lbs. torque rating per pair

NOTE: Torque rating = lid height x lid weight x 1/2.

Item #	Description	Sold In
SGNSDX-20RK	Right Hand Up-Stay	Per Each
SGNSDX-20LK	Left Hand Up-Stay	Per Each



Top-Opening Heavy Duty Soft-Down Stays



- Holds door in fully open position, at 70 degree position
- Can be used with piano, concealed and drop hinges
- Tested up to 90,000 cycles
- Screws included

NOTE: Torque rating = lid height x lid weight x 1/2, * When used in pairs.

Item #	Type	Finish	Sold In
Medium Duty - 173 To 216 Lbs. Per Sq. In Torque *			
SGHDS-20ML/WHT	Medium-Duty (Left)	White	Per Each
SGHDS-20MR/WHT	Medium-Duty (Right)	White	Per Each
Heavy Duty - 216 To 260 Lbs. Per Sq. In Torque *			
SGHDS-20HL/WHT	Heavy-Duty (Left)	White	Per Each
SGHDS-20HR/WHT	Heavy-Duty (Right)	White	Per Each

STAYS

A
B
C
D
E
F
G
H
I
J
K
L
M
N
O
P
Q
R
S
T
U
V
W
X
Y



Upward-Opening Soft-Down Stay



- Designed for upward opening lids on cabinets
- Holds door in closed and open position at 90°
- Non-handed
- Single stays can handle torque from 35 to 60 lbs., two stays together can handle up to 120 lbs.
- Soft-close mechanism provides smooth slow closing through 90° of door movement
- Guaranteed up to 30,000 cycles, screws included
- Color: White

NOTE: Torque rating = lid height x lid weight x 1/2.

Item #	Sold In
SGSDSC301N-WH	Per Each



Upward-Opening Adjustable Soft-Down Stays



- Holds lid closed and opened at 80, 90 or 100 degrees
- Tested to 50,000 cycles
- Has soft-close movement that is adjustable with the turn of a screw
- Right-and left-hand mounting
- Accomodates torque range from 19 to 60 lbs. per square inch

NOTE: Torque rating = lid height x lid weight x 1/2

Right Hand Item #	Left Hand Item #	Sold In
SGNSDX-35RK	SGNSDX-35LK	Per Each



Upward-Opening Heavy Duty Soft-Down Stays



- Designed for top opening lids on cabinets, pianos, concealed and drop hinges
- Holds door in fully open position, at 80 degree position
- Left and right handed versions available
- Tested up to 90,000 cycles, screws included

NOTE: Torque rating = lid height x lid weight x 1/2

Item #	Type	Finish	Sold In
Light Duty - Up To 170 Lbs. Per Sq. In Torque			
SGHDS-30KL/WHT	Light Duty (Left)	White	Per Each
SGHDS-30KR/WHT	Light-Duty (Right)	White	Per Each
Medium Duty - Up To 215 Lbs. Per Sq. In Torque			
SGHDS-30ML/WHT	Medium-Duty (Left)	White	Per Each
SGHDS-30MR/WHT	Medium-Duty (Right)	White	Per Each
Heavy Duty - Up To 260 Lbs. Per Sq. In Torque			
SGHDS-30HL/WHT	Heavy-Duty (Left)	White	Per Each
SGHDS-30HR/WHT	Heavy-Duty (Right)	White	Per Each

A STAYS



Upward-Opening Medium & Heavy Duty Soft-Close Stay



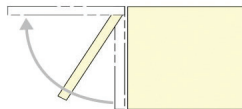
- Lift-assisted mechanism for extra light-opening
- Door stays in any up position by opening the door to position and then letting go
- Damper equipped for soft & silent closing at the end
- Simple installation by aligning body to edge of cabinet
- Tested to 40,000 cycles, screws included
- Mechanism has light gray colored housing



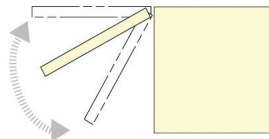
Item #	Type	Description	Sold In
SGSLS-ELAN-MR	M-Type	Medium Duty, Installed on Right	Per Each
SGSLS-ELAN-ML	M-Type	Medium Duty, Installed on Left	Per Each
SGSLS-ELAN-HR	H-Type	Heavy Duty, Installed on Right	Per Each
SGSLS-ELAN-HL	H-Type	Heavy Duty, Installed on Left	Per Each

3 functions on 1 stay

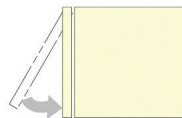
1. Lift-assist



2. Free stop



3. Soft-close



Door Weight Range Table (lb)

Door Height (Inch)	Single Use				Pair Use			
	M-Type		H-Type		M-Type		H-Type	
	Min	Max	Min	Max	Min	Max	Min	Max
12*	8.0	10.8	10.8	14.5	16.0	21.7	21.7	29.0
13*	7.4	10.0	10.0	13.4	14.8	20.0	20.0	26.8
14*	6.9	9.3	9.3	12.4	13.7	18.6	18.6	24.9
15*	6.4	8.7	8.7	11.6	12.8	17.3	17.3	23.2
16*	6.0	8.1	8.1	10.9	12.0	16.3	16.3	21.8
17*	5.6	7.6	7.6	10.2	11.3	15.3	15.3	20.5
18*	5.3	7.2	7.2	9.7	10.7	14.4	14.4	19.3
19*	5.1	6.8	6.8	9.2	10.1	13.7	13.7	18.3
20*	4.8	6.5	6.5	8.7	9.6	13.0	13.0	17.4
21*	4.6	6.2	6.2	8.3	9.1	12.4	12.4	16.6
22*	4.4	5.9	5.9	7.9	8.7	11.8	11.8	15.8
23*	4.2	5.7	5.7	7.6	8.3	11.3	11.3	15.1
24*	4.0	5.4	5.4	7.3	8.0	10.8	10.8	14.5
25*	3.8	5.2	5.2	7.0	7.7	10.4	10.4	13.9
26*	3.7	5.0	5.0	6.7	7.4	10.0	10.0	13.4
27*	3.5	4.8	4.8	6.4	7.1	9.6	9.6	12.9
28*	3.4	4.6	4.6	6.2	6.9	9.3	9.3	12.4

*Single or pair depending on door size and weight.



Vertical Swing Lift Up Mechanism, Soft-Close



- Unique swing mechanism will lift cabinet doors up vertically and hold them in place
- Recommended for doors 24" to 35-1/2" wide and 15" to 18" tall
- Tested to perform over 30,000 cycles, screws included
- Designed to be used in pairs

Item #	Door Weight	Finish	Sold In
SGSLUN-3N	5.5 to 7.7 lb	Gray	Per Pair
SGSLUN-5N	10 to 11.4 lb	Gray	Per Pair

STAYS

A
B
C
D
E
F
G
H
I
J
K
L
M
N
O
P
Q
R
S
T
U
V
W
X
Y



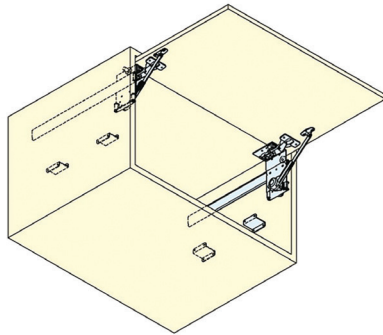
Upward-Opening System w/Soft-Close For Inset Doors Only



- Incorporates patented Lapcon technology for soft, smooth closing
- Adjustable closing speed
- Passed 30,000 open/close private cycle tests
- Set includes: (2) soft down stays, (2) slides, (2) hinges & (2) hinge plates

Door Specifications:

- Door thickness range: 19/32" - 51/64"
- Door maximum width: 47-1/4"
- Door weight range: 9.9 lbs. - 14.3 lbs.



Item #	Slide Length	Sold In
SGIF-102W-19	19"L	Per Set



Downward-Opening Soft-Down Stay



- Designed for downward opening lids, provides soft open upon opening motion being initiated
- Short arm type designed for small door applications, allows door to open to 90 degrees
- Single down stay can accommodate 10.4 lbs. per square inch torque
- Non-handed
- Without catch mechanism (magnetic catch required) to keep flap in closed position

NOTE: Torque rating = lid height x lid weight x 1/2

Item #	Sold In
SGSDSC100-WH	Per Each



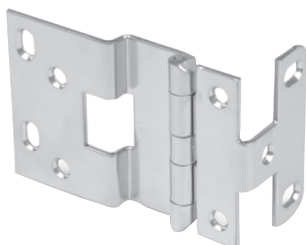
Downward-Opening Adjustable Soft-Down Stays



- Keeps flap/lid from slamming down
- Soft-down speed is adjustable
- Opening angle is adjustable by changing mounting position
- Designed to hold door in closed position
- Handed
- Torque Calculation: Torque = Door Height x 1/2 x Door Weight
- Per piece torque = 19-60 lbs-inch
- Per pair torque = 38-120 lbs-inch

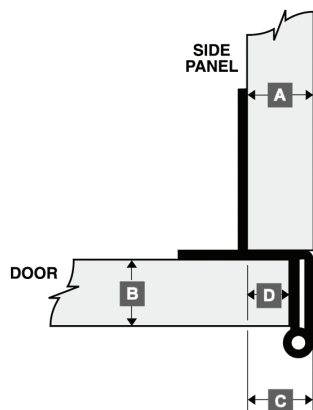
Right Hand Item #	Left Hand Item #
SGNSDX-10RK	SGNSDX-10LK

A INSTITUTIONAL HINGES



Overlay 5 Knuckle Hinges

- Designed for 32mm hole system
- Hospital grade tips
- Frame leaf length: 1-3/4"
- Tight screw pin and elongated holes on both
- Barrel Height: 2-3/4"
- Material Thickness: .095" (2.4mm)
- Hinges come with screws



Finish	Item #	UOM	A Side Panel	B Door Thickness	C Hinge Overlay	D Door Overlay	Sold In
Overlay Hinge - For 3/4" Thick Doors							
Satin Black	RP374-1D	EA	3/4"	3/4"	23/32"	15/32"	Per Each
Dull Chrome	RP374-26D	EA	3/4"	3/4"	23/32"	15/32"	Per Each
Powder Chrome	RP374-PC28	EA	3/4"	3/4"	23/32"	15/32"	Per Each
Overlay Hinge - For 13/16" Thick Doors							
Satin Black	RP375-1D	EA	13/16"	13/16"	25/32"	17/32"	Per Each
Dull Chrome	RP375-26D	EA	13/16"	13/16"	25/32"	17/32"	Per Each
Overlay Hinge - For 13/16" Thick Doors							
Satin Black	RP376-1D	EA	3/4"	13/16"	23/32"	15/32"	Per Each
Dull Chrome	RP376-26D	EA	3/4"	13/16"	23/32"	15/32"	Per Each
Powder Chrome	RP376-PC28	EA	3/4"	13/16"	23/32"	15/32"	Per Each
White	RP376-E51	EA	3/4"	13/16"	23/32"	15/32"	Per Each
Stainless Steel	RP376SS	EA	3/4"	13/16"	23/32"	15/32"	Per Each
Overlay Hinge - For 3/4" Thick Doors							
Satin Black	RP454-1D	EA	3/4"	3/4"	23/32"	15/32"	Per Each
Dull Chrome	RP454-26D	EA	3/4"	3/4"	23/32"	15/32"	Per Each
Overlay Hinge - For 13/16" Thick Doors							
Satin Black	RP455-1D	EA	13/16"	13/16"	23/32"	17/32"	Per Each
Dull Chrome	RP455-26D	EA	13/16"	13/16"	23/32"	17/32"	Per Each
Overlay Hinge - For 13/16" Thick Doors							
Satin Black	RP456-1D	EA	3/4"	13/16"	23/32"	15/32"	Per Each
Dull Chrome	RP456-26D	EA	3/4"	13/16"	23/32"	15/32"	Per Each
Powder Chrome	RP456-PC27	EA	3/4"	13/16"	23/32"	15/32"	100/Box
Overlay Hinge - For 1/2" Thick Doors							
Stainless Steel	RP8314S	EA	1/2"	1/2"	1/2"	9/32"	Per Each
Overlay Hinge - For 13/16" Thick Doors							
Dull Chrome	RP8362-26D	EA	5/8"	13/16"	19/32"	11/32"	100/Box
Overlay Hinge - For 1-1/16" Thick Doors							
Dull Chrome	RP844-26D	EA	5/8"	1-1/16"	19/32"	11/32"	Per Each
Overlay Hinge - For 13/16" Thick Doors							
Dull Chrome	RP849-26D	EA	3/8"	13/16"	11/32"	1/8"	Per Each
Overlay Hinge - For 13/16" Thick Doors							
Dull Chrome	RP853-26D	EA	5/8"	13/16"	19/32"	11/32"	Per Each

INSTITUTIONAL HINGES



Overlay Hinges, 5 Knuckle

- Overlay Hinge 13/16" Thick Door
- Designed for a 32mm hole pattern; 2-3/4" five knuckle hinge
- Door Thickness :13/16"
- 095" Steel, hospital tip
- Includes #8 x 3/4" screws
- Pin Diameter 4.8mm



Item #	Finish	Sold In
JIH760-DC	Dull Chrome	Per Each
JIH760-PDC	Powder Dull Chrome	Per Each
JIH760-SS	Stainless Steel	Per Each

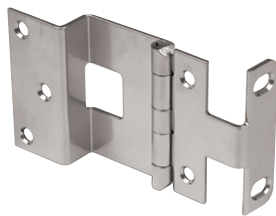


Overlay Hinges, 5 Knuckle

- Overlay Hinge 3/4" Thick Door
- Designed for 32mm hole pattern; 2-3/4" joint length five knuckle hinge
- Door Thickness 3/4"
- 095 inch Steel
- Hospital tip
- Includes #8 x 3/4" screws
- Pin Dia. 4.8mm



Item #	Finish	Side Panel	Door Thickness	Hinge Overlay	Door Overlay	Sold In
JIH740-DC	Dull Chrome	3/4"	13/16"	3/4"	1/2"	Per Each



Overlay Hinges, 5 Knuckle For Doors Up To 1-3/8" Thick

- Finish: Dull Chrome
- Barrel Height: 2-3/4" (51.63mm)
- Screws included



Item #	Side Panel	Door Thickness	Hinge Overlay	Door Overlay	Reveal	Material Thickness	Sold In
RP7036-26D	3/4"	1-3/8"	23/32"	15/32"	9/32"	.095"	Per Each



Flush Door Hinges, 5 Knuckle For Doors 3/4" & 13/16" Thick

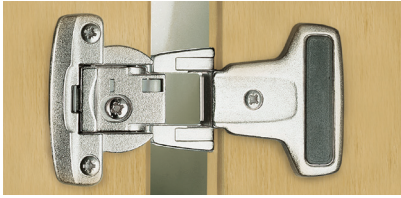
- Barrel Height: 2-1/2" (63.5mm)
- Material Thickness: 0.083" (2.1mm)
- Screws included



Item #	Door Thickness	Door Clearance	Cabinet Wing Length	Finish	Sold In
RP860-26D	3/4"	7/32"	1-59/64"	Dull Chrome	Per Each

A
B
C
D
E
F
G
H
I
J
K
L
M
N
O
P
Q
R
S
T
U
V
W
X
Y

A INSTITUTIONAL HINGES



MB Series Barrel Hinges

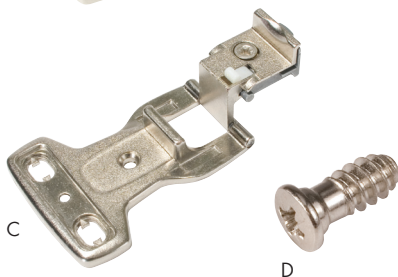
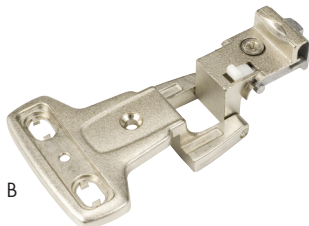
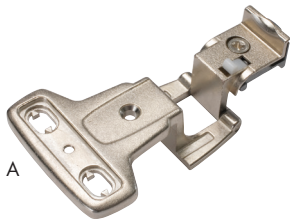
- Hinges made of zinc die-cast construction for extreme durability
- Recommended for side panel thicknesses of 19mm (3/4")
- Tool-free snap-on mounting - quick and easy installation
- All types of hinge mounting (corner and center wall)
- Side-to-side adjustment of -2mm (1/16")
- Height adjustment of +/- 2mm (1/16")
- Cover cap conceals mounting screws
- Available in black and nickel plated
- Designed for frameless cabinet construction
- Opening angles range from 180° to 270°
- Meets ANSI/BHMA A156.9 - Grade I requirements



How to Order Grass Institutional Hinges:

- 1) Choose screw-on or dowelled cup: one cup fits all hinge arms.
- 2) Choose hinge arm based on application (cover cap included).
- 3) Special #6.3 x 13.5mm Euro screws (2) required for hinge arm mounting. Must be ordered separately.

MB 8010 Hinge Cup - 45mm Pattern			
Item #	Finish	Fixing Type	Sold In
GM690.030.11.25	Nickel-Plated	Screw-On	Per Each
GM690.030.12.25	Nickel-Plated	Dowelled	Per Each
GF150145124233	Black	Dowelled	Per Each



Hinge Arms				
	Item #	Description	Finish	Sold In
A	GM811.328.11.25	MB 8310 Hinge Arm - Full Overlay - 15mm (19/32")	Nickel-Plated	Per Each
	GF150145125223	MB 8310 Hinge Arm - Full Overlay - 15mm (19/32")	Black	Per Each
B	GF150000015223	MB 8510 Hinge Arm - Half Overlay - 5.5mm (7/32")	Nickel-Plated	Per Each
C	GF150000007223	MB 6110 Hinge Arm - Inset	Nickel-Plated	Per Each

Euro Screws for Hinge Arm Mounting - 6.3 x 13.5mm			
	Item #	Finish	Sold In
D	GB405.000.51.25	Nickel-Plated	100/Box

INSTITUTIONAL HINGES



Hinge cup boring pattern: 45mm x 9.5mm
 Hinge cup diameter: 35mm
 Hinge cup depth: 12mm

Adjustment Range

Height adjustment: +2.0mm, -2mm
 Depth adjustment: +2.8mm, -.5mm
 Lateral adjustment: +4.5mm, -1.5mm



Salice Institutional Hinges - Grade 1

SALICE

- Series M hinges conform with FIRA level 5 and ANSI Grade 1 requirements and meets ISO 9001 and ISO 14001 environmental certification
- 270° opening for 19mm thick doors
- 180° opening for doors up to 24mm
- Compatible with all Salice Series 200 hinge mounting plates: both clip-on and slide-on
- Nickel plated for corrosion resistance
- Independent, automatic three dimensional adjustment
- Lifetime warranty

Hinge Type	Screw-on Item #	Press-in Dowel Item #	Sold In
Full Overlay: Recessed Knuckle			
Single pivot	SALCMP3A99	SALCMR3A99	Per Each
Full Overlay: External Knuckle			
Single pivot	SALCMP3A99	SALCMR3A99	Per Each
Half Overlay: Recessed Knuckle			
Single pivot	SALCMP3A99	SALCMR3A99	Per Each
Inset: Recessed Knuckle			
Single pivot	SALCMP3A99	SALCMR3A99	Per Each

Accessory Items		
Item #	Description	Sold In
AN203351	35mm Hinge Boring Bit	Per Each
AN301008	8mm LH Bit, 57mm L	Per Each

A
B
C
D
E
F
G
H
I
J
K
L
M
N
O
P
Q
R
S
T
U
V
W
X
Y

A PIANO & BARREL HINGES



Piano Hinges
Cut Lengths 48", 72", and 96"



- High quality, .040 gauge steel piano hinges have a lifetime finish
- All cut lengths of hinges have countersunk screw holes spaced 2" apart on center
- 100 screws required per 6' length, all hinges use #5 flathead screws with the exception of 3" wide hinges that use #6 flathead screws (not included)
- Hinge widths (opened) are 1-1/16", 1-1/2", and 2"

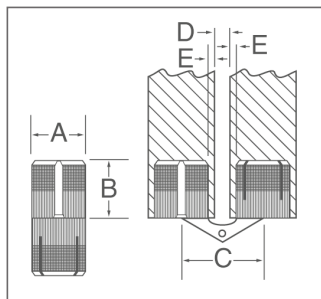
Open Width x Length	Bright Brass Item #	Bright Nickel Item #	Black Powder Item #	Sold In
1-1/16" x 72"	-	FE16-NP	-	Per Each
1-1/2" x 48"	THPP2-3303S-481	THPCP2-2203S-482	-	Per Each
1-1/2" x 72"	FE12-BP	FE12-NP	THPA112BLK	Per Each
1-1/2" x 96"	THPP2-3303S-961	-	-	Per Each
2" x 72"	FE2-BP	FE2-NP	-	Per Each



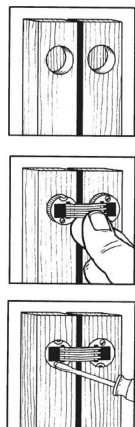
Barrel Hinges
SOSS Invisible Cylinder Hinge



- Fully concealed hinges are solid brass with heavy duty brass linkage
- Five diameter sizes from 10mm diameter to 18mm diameter
- Easy to install, drill holes to exact diameter of hinge, tap hinge into hole until hinge is flush, tighten hinge set screw to expand wedge for permanent fastening

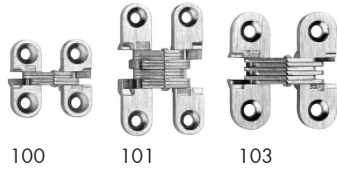


Item #	Hinge Diameter	Sold In
SOSBH104	10mm x 7/8"	Per Each
SOSBH124	12mm x 1-1/16"	Per Each
SOSBH144	14mm x 1-3/16"	Per Each
SOSBH164	16mm x 1-5/16"	Per Each
SOSBH184	18mm x 1-3/8"	Per Each

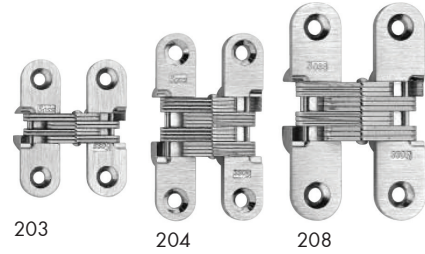


Item #	Min. Door Thickness	Drill Bit	A	B	C	D Minimum	E Minimum
SOSBH104	1/2"	10mm/ 25/64"	10mm	11mm	16.5mm	2.5mm	2mm
SOSBH124	5/8"	12mm/ 15/32"	12mm	13.5mm	20mm	2.5mm	2mm
SOSBH144	3/4"	14mm/ 35/64"	14mm	15.5mm	23mm	3mm	3mm
SOSBH164	7/8"	16mm/ 5/8"	16mm	16.5mm	25mm	3mm	3mm
SOSBH184	1-1/8"	18mm/ 45/64"	18mm	17.5mm	27mm	3mm	3mm

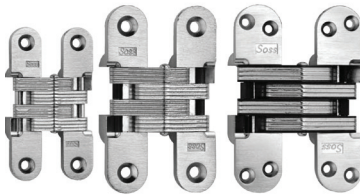
SOSS INVISIBLE HINGES



100 101 103



203 204 208



212 216 218

SOSS Brand Invisible Hinges

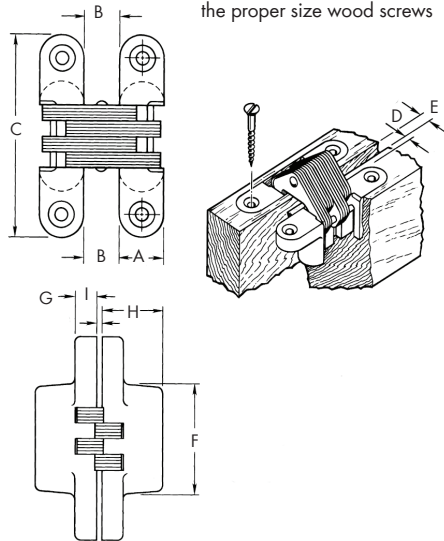
- Fully anchored in a deep mortise
- Zinc die cast with steel laminated links
- For use when a butt hinge is not needed
- 180 degree opening capacity



SOSS #	Satin Chrome Item #	Dull Brass Item #	Sold In
100	-	SOS100BP	Per Pair
101	SOS101-26D	SOS101BP	Per Pair
103	-	SOS103BP	Per Pair
203	SOS203-26D	SOS203BP	Per Pair
204	-	SOS204BP	Per Pair
208	-	SOS208BP	Per Each
212	SOS212-26D	SOS212BP	Per Each
216	SOS216-26D	SOS216BP	Per Each
218	-	SOS218BP	Per Each

Key to Dimensions Shown in Charts

All hinges are shipped with the proper size wood screws



Router Guide Templates

- Template is held on the door and jamb with nails, guide pins locate the deep mortise

Item #	Fits SOSS Hinge	Sold In
SOS204IT	204 Series	Per Each
SOS212IT	212 Series	Per Each
SOS216IT	216 Series	Per Each

Soss Hinge Dimensions									
Dimension	100	101	103	203	204	208	212	216	218
A	3/8"	3/8"	1/2"	1/2"	1/2"	5/8"	3/4"	1"	1-1/8"
B	9/32"	19/64"	3/8"	23/64"	23/64"	29/64"	17/32"	23/32"	7/8"
C	1"	1-11/16"	1-1/2"	1-3/4"	2-3/8"	2-3/4"	3-3/4"	4-5/8"	4-5/8"
D	3/32"	7/64"	1/8"	7/64"	7/64"	9/64"	5/32"	7/32"	3/8"
E	3/32"	3/32"	1/8"	1/8"	1/8"	5/32"	3/16"	1/4"	1/4"
F	3/8"	7/8"	11/16"	3/4"	1-1/4"	1-11/32"	2-1/16"	2-19/32"	2-7/16"
G	1/32"	1/32"	1/32"	1/32"	1/16"	3/64"	3/64"	1/16"	1/16"
H	15/32"	29/64"	19/32"	23/32"	23/32"	29/32"	1-5/64"	1-7/16"	1-41/64"
I	15/64"	7/32"	7/32"	3/16"	1/4"	9/32"	3/8"	15/32"	13/32"
Min. Thickness	1/2"	1/2"	3/4"	3/4"	3/4"	1"	1-1/8"	1-3/8"	1-3/4"
Hinge Weight	.04lbs.	.07 lbs.	.09 lbs.	.11 lbs.	.20 lbs.	.34 lbs.	.75 lbs.	1.65 lbs.	1.86 lbs.

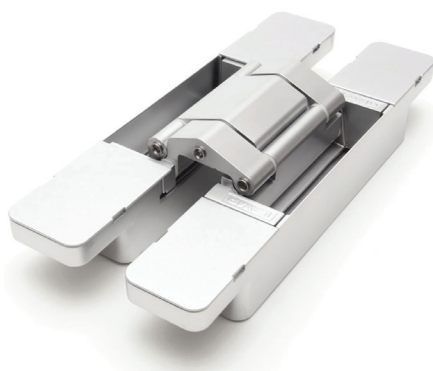
A
B
C
D
E
F
G
H
I
J
K
L
M
N
O
P
Q
R
S
T
U
V
W
X
Y

A CONCEALED HINGES

**3-Way Adjustable Concealed Door Hinge,
Matte Black**

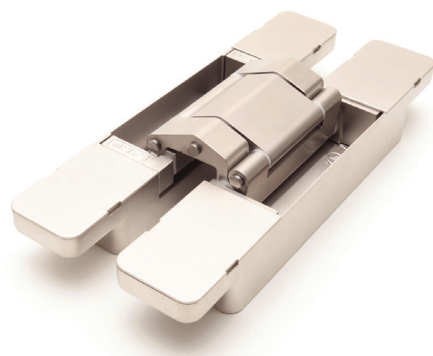

- 3-WAY adjustment function allows vertical, horizontal, and depth after hinge installed
- Passed 300,000 open/close private cycle tests
- Installation with LIFT-OFF FEATURE: can be split into 2 parts (one for the frame and one for the flap), can be temporarily hung and hold position without being affixed with screws
- Supplied with steel flat head screw
- Max door weight: (2) Hinges = 220 lbs. / (3) hinges = 275 lbs.
- Max door size: 94-1/2" height x 37-7/16" width
- Min door thickness: 1-1/2"

Item #	Hinge Size	Finish	Sold In
SGHES3D-E190BL	2.34" x 1.34" x 7.48"	Matte Black	Per Each


**3-Way Adjustable Concealed Door Hinge,
Dull Chrome**


- 3-WAY adjustment function allows vertical, horizontal, and depth after hinge installed
- Passed 300,000 open/close private cycle tests
- Installation with LIFT-OFF FEATURE: can be split into 2 parts (one for the frame and one for the flap), can be temporarily hung and hold position without being affixed with screws
- Supplied with steel flat head screw
- Max door weight: (2) Hinges = 220 lbs. / (3) hinges = 275 lbs.
- Max door size: 94-1/2" height x 37-7/16" width
- Min door thickness: 1-1/2"

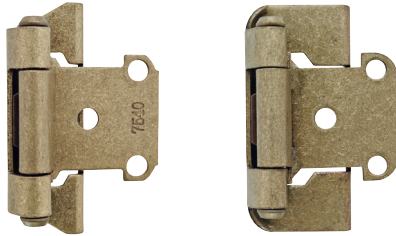
Item #	Hinge Size	Finish	Sold In
SGHES3D-E190DC	2.34" x 1.34" x 7.48"	Dull Chrome	Per Each


**3-Way Adjustable Concealed Door Hinge,
Dull Nickel**


- 3-WAY adjustment allows vertical, horizontal, and depth after the hinge is installed
- Passed 300,000 open/close private cycle tests
- Installation with LIFT-OFF FEATURE: can be split into 2 parts (one for the frame and one for the flap), can be temporarily hung and hold position without being affixed with screws
- Supplied with steel flat head screw
- Max door weight: (2) Hinges = 220 lbs. / (3) hinges = 275 lbs.
- Max door size: 94-1/2" height x 37-7/16" width
- Min door thickness: 1-1/2"

Item #	Hinge Size	Finish	Sold In
SGHES3D-E190DN	2.34" x 1.34" x 7.48"	Dull Nickel	Per Each

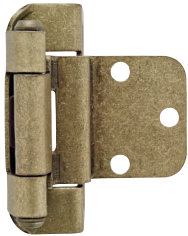
SELF-CLOSING WRAP & DEMOUNTABLE HINGES



1/4" Overlay



1/2" Overlay



3/8" Inset

**Partial Wrap, Self-Closing Hinges
Standard Tip, 1/4" &
1/2" Overlays & 3/8" Inset**



- Two #6 x 5/8" and three #5 x 1/2" screws included

Finish	1/4" Overlay Item #	1/2" Overlay Item #	3/8" Inset Item #	Sold In
Burnished Brass	-	AM7550-BB	-	Per Pair
Flat Black	-	AM7550-FB	-	Per Pair
Oil Rub Bronze	AM7566-ORB	AM7550-ORB	AM7565-ORB	Per Pair
Satin Nickel	-	AM7550-G10	AM7565-G10	Per Pair
Weathered Nickel	-	AM7550-WN	-	Per Pair



1/4" Overlay



1/2" Overlay

**Partial Wrap, Single Demountable Hinges
1/4", 1/2" Overlays**



- Two #6 x 5/8" screws included

Finish	1/4" Overlay Item #	1/2" Overlay Item #	Sold In
Oil Rub Bronze	AM8715O-RB	AM8719O-RB	Per Pair
Satin Nickel	-	AM8719-G10	Per Pair



1/4" Overlay



1/2" Overlay



3/8" Inset

**Double Demountable, Partial Wrap
Self-Closing Hinges
1/4", 1/2" Overlays & 3/8" Inset**



- Double demountable hinges feature clamping plates which clamp the hinge to both the door and the frame stile
- Full three way adjustability and easy mounting by slipping hinge into pre-routed slots

Finish	1/4" Overlay Item #	1/2" Overlay Item #	3/8" Inset Item #	Sold In
Burnished Brass	-	-	AM8700-BB	Per Pair
Oil Rub Bronze	-	AMC8704-ORB	AM8700O-RB	Per Pair
Satin Nickel	AM8701-G10	AM8704-G10	AM8700-G10	Per Pair

A
B
C
D
E
F
G
H
I
J
K
L
M
N
O
P
Q
R
S
T
U
V
W
X
Y

A SELF-CLOSING FACE MOUNT HINGES

B
C
D
E
F
G
H
I
J
K
L
M
N
O
P
Q
R
S
T
U
V
W
X
Y



Variable Overlay



3/8" Inset

**Face Mount Standard & Heavy Duty Hinges
Variable Overlay & 3/8" Inset**



- Traditional semi-concealed styling
- Dual compression spring mechanism
- Heavy duty hinges have wider and thicker door plates
- Standard Duty screws included: (2) #6 x 5/8" and (3) #6 x 1/2"
- Heavy Duty screws included: 7628 has (5) #5 x 5/8", 7629 has (2) #5 x 5/8" and (3) #5 x 1/2"

	Finish	Item #	Sold In
Variable Overlay	Standard Duty		
	Burnished Brass	AMC7139-BB	100 Pairs/Box
	Satin Nickel	AMC7139-G10	Per Pair
	Burnished Brass	AM3429-BB	Per Pair
	Flat Black	AM3429-FB	Per Pair
	Oil Rubbed Bronze	AM3429-ORB	Per Pair
	Satin Nickel	AM3429-G10	Per Pair
	Heavy Duty		
	Antique English	AM7629-AE	Per Pair
	Bright Chrome	AM7629-26	Per Pair
3/8" Inset	Standard Duty		
	Burnished Brass	AM3428-BB	Per Pair
	Flat Black	AM3428-FB	Per Pair
	Oil Rubbed Bronze	AM3428-ORB	Per Pair
	Satin Nickel	AM3428-G10	Per Pair
	Heavy Duty		
Bright Chrome	AM7628-26	Per Pair	



**Self-Closing Hinges
Imperial Design, 3/8" Inset**



- Inset hinges have (5) #5 x 5/8" screws included

Finish	Item #	Sold In
Bright Chrome	AM7928-26	Per Pair
Oil Rub Bronze	AM7928-ORB	Per Pair
Satin Nickel	AM7928-G10	Per Pair



**Free Swinging Hinges
Modern Design, 3/8" Inset**



- Heavy duty 5 knuckle design
- Non-self closing traditional semi-concealed styling
- (2) #5 x 5/8" and (3) #5 x 1/2" screws included

Finish	Item #	Sold In
Satin Nickel	AM3417-G10	Per Pair
Oil Rubbed Bronze	AM3417-ORB	Per Pair

FREE SWINGING FULL INSET HINGES



**Full Inset, Partial Wrap, Free Swinging Hinges
Ball Tip for 3/4" Thick Doors**



- (2) #6 x 5/8" and (4) #6 x 1/2" screws included

Finish	Item #	Sold In
Oil Rubbed Bronze	AM3180TB-ORB	Per Each
Satin Nickel	AM3180TB-G10	Per Each



**Full Inset, Partial Wrap, Free Swinging Hinges
Minaret Tip For 3/4" Thick Doors**



- (2) #6 x 5/8" and (4) #6 x 1/2" screws included

Finish	Item #	Sold In
Oil Rubbed Bronze	AM3180TM-ORB	Per Each
Satin Nickel	AM3180TM-G10	Per Each



**Full Inset, Full Wrap, Free Swinging Hinges
Ball Tip for 3/4" Thick Doors**



- (3) #6 x 5/8" and (4) #6 x 1/2" screws included

Finish	Item #	Sold In
Flat Black	AM3175TB-FB	Per Each
Oil Rubbed Bronze	AM3175TB-ORB	Per Each
Satin Nickel	AM3175TB-G10	Per Each



**Full Inset, Full Wrap, Free Swinging Hinges
Minaret Tip for 3/4" Thick Doors**



- Screws included: (3) #6 x 5/8" and (4) #6 x 1/2"

Finish	Item #	Sold In
Oil Rubbed Bronze	AM3175TM-ORB	Per Each
Satin Nickel	AM3175TM-G10	Per Each

A
B
C
D
E
F
G
H
I
J
K
L
M
N
O
P
Q
R
S
T
U
V
W
X
Y

A PIN / KNIFE HINGES

B
C
D
E
F
G
H
I
J
K
L
M
N
O
P
Q
R
S
T
U
V
W
X
Y



Non-Wrap Knife Pin Hinge, #4



- 3/8" Inset
- Works on 3/8" lip inset doors only
- Minimum door thickness: 3/4"
- Door notch depth required: 11/16"
- Door notch length required: 1-3/4"
- All hinges come with (8) #6 x 5/8" screws
- Made in the USA
- Sold per pair and per box

Finish	Item # Per Pair	Item # 25 Pairs/Box	Item # 200 Pairs/Box
Antique Brass	YDL4ABP	YDL4AB	YDM4AB
Nickel	-	YDL4NK	-
White	YDL4WHP	YDL4WH	-



Non-Wrap Knife Pin Hinge, #5



- 1/4" Overlay
- Works on 1/4" to 5/16" overlay doors
- Minimum door edge thickness: 5/8"
- Door notch depth required: 9/16"
- Door notch length required: 1-7/8"
- All hinges come with (8) #6 x 5/8" screws
- Made in the USA
- Sold per box

Finish	Item # 25 Pairs/Box	Item # 200 Pairs/Box
Antique Brass	YDL5AB	YDM5AB
Nickel	YDL5NK	-
White	YDL5WH	-



Non-Wrap Knife Pin Hinge, #6



- 1/2" Overlay
- Works on 1/2" overlay doors
- Minimum door edge thickness: 5/8"
- Door notch depth required: 9/16"
- Door notch length required: 1-7/8"
- All hinges come with (8) #6 x 5/8" screws
- Made in the USA
- Sold per pair and per box

Finish	Item # Per Pair	Item # 25 Pairs/Box	Item # 200 Pairs/Box
Antique Brass	YDL6ABP	YDL6AB	YDM6AB
Nickel	-	YDL6NK	-
White	-	YDL6WH	-

PIN / KNIFE HINGES



Non-Wrap Knife Pin Hinge, #65

- 1/2" Overlay - low profile
- Works on 1/2" overlay doors
- Minimum door thickness: 1/2"
- Door notch depth required: 7/16"
- Door notch length required: 1-7/8"
- All hinges come with (8) #6 x 5/8" screws
- Made in the USA
- Sold per box



Finish	Item # 25 Pairs/Box	Item # 200 Pairs/Box
Antique Brass	YDL65AB	YDM65AB
Nickel	YDL65-NK	-
White	YDL65WH	-



Non-Wrap Knife Pin Hinge, #8

- 5/8" Overlay
- Works on 5/8" overlay doors
- Minimum door edge thickness: 3/4"
- Door notch depth required: 11/16"
- Door notch length required: 1-3/4"
- All hinges come with (8) #6 x 5/8" screws
- Made in the USA
- Sold per box



Finish	Item # 25 Pairs/Box
Antique Brass	YDL8AB



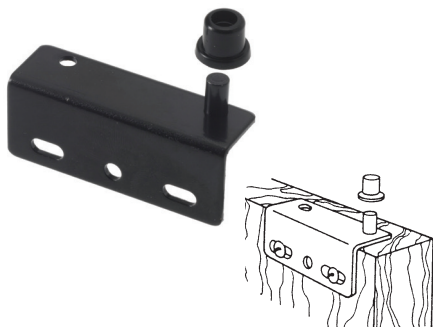
Hinge Screws

- Pan head phillips drive
- Course thread
- Type 17 point
- Sold per box



Finish	Size	Item # 1,000/Box
Antique Brass	#6 x 1"	YDS6X1AB
Nickel	#6 x 1"	YDS6X1NK
Nickel	#6 x 5/8"	YDSNK

A PIVOT HINGES & BUTT HINGES



Pivot Hinges For Inset Doors



- Steel pivot hinge, black oxidized finish and 9mm nylon pivot bushing
- Accommodates door thicknesses of 1/2" to 5/8"
- Top and bottom door mount with 23/64" (9mm) dia. hole to accept nylon bushing
- Slotted screw holes allow for side-to-side adjustment, screws not included

Item #	Color	Sold In
SYHT-57	Black	Per Pair

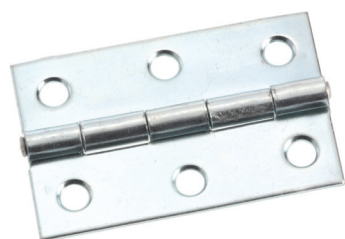


Concealed Pivot Hinge For Flush/Inset Doors



- Die-cast metal door mounting plates fasten to the top and bottom of the door back allows for easy removal of door
- Pivot section inserts into the frame via a 23/64" hole for nylon bushing
- Allows for door adjustment of 3/16" side-to-side and 1/8" back-to-back
- Nickel plated and unhandled
- Accommodates wood door thicknesses from 9/16" to 3/4"
- Screws not included

Item #	Finish	Sold In
SYH-704U	Bright Nickel Plated	Per Each



Butt Hinge, Fast (Non-Removable) Pin



- All purpose, light duty utility hinges
- Countersunk holes for full surface or mortise application

Item #	Length x Open Width	Knuckles	Finish	Sold In
SYH666212Z	2-1/2" x 1-11/16"	5	Bright Zinc Plated	Per Each



Narrow Butt Hinge



- Designed for light duty use
- Tight pin design
- Screws sold separately
- Made of Steel

Item #	Size	Description	Finish	Sold In
FE666-1.5	1-1/2"	Steel Butt Hinge	Brass	Per Pair

GLASS DOOR HINGES

A
B
C
D
E
F
G
H
I
J
K
L
M
N
O
P
Q
R
S
T
U
V
W
X
Y



Pivot Hinges For Inset Flush Doors

- Screws lock hinge to glass
- Glass Thickness: 1/8" - 1/4"
- Angle of Opening: 140° when flush mounted
- Top/bottom mounting via a 5/16" diameter hole in both the top and bottom of the cabinet



Item #	Face Plate Size	Finish	Bullet Catch	Sold In
WDT2245	7/8"H x 1-15/16"W	Bright Chrome	No	Per Pair



Pivot Hinge For Inset Doors

- Screws lock hinge to glass
- Does not include bullet catch, requires the use of a latch to hold the door closed
- Glass Thickness: 1/8" - 3/16"
- Angle of Opening: 120° when flush mounted
- Top/bottom mounting via a 5/16" diameter hole in both the top and bottom of the cabinet



Item #	Face Plate Size	Finish	Sold In
WDT7026	1/2"H x 1-1/2"W	Bright Chrome	Per Pair



Side Wall Mounted Hinges For Inset Doors

- Self-locking, removable catch converts to free-swinging. Fully adjustable elongated screw holes
- Hinge is fixed to the door with a rubber backed metal clamp screw to prevent slip
- Glass Thickness: 3/16" - 1/4" • Angle of Opening: 170°
- Mounting: Sidewall, Top & Bottom • Min. Reveal Top & Bottom: 3/32"
- Glass Door Max. Weight and Size: 22 lbs., 39-3/8" x 23-5/8"



Item #	Face Plate Size	Finish	Sold In
WDT2249	1-3/16"H x 1-9/16"W	Black Painted	Per Pair
WDT2251	1-3/16"H x 1-9/16"W	Bright Chrome	Per Pair



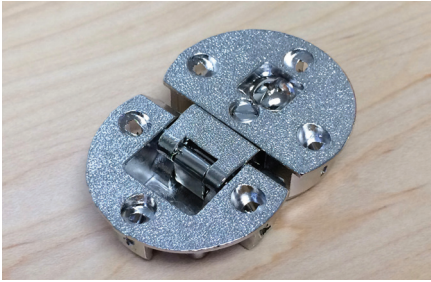
Glass Door Hinges w/Large Pocket Inset

- Positive self-locking catch in this larger "pocket hinge" opens 160°
- Glass is secured with large rubber-tipped screw
- For glass up to 1/4" thick
- Screw holes in cabinet member on 16mm centers
- Die cast metal
- Sold per pair



Item #	Dimensions	Finish	Sold In
SYHT1027CH	1-3/16"H x 1-9/16"W	Bright Chrome	Per Pair

A SPECIALTY HINGES



Folding Table Flap Hinge

- Made of zinc die cast and is designed to be used in conjunction with a lid support as the hinge is free swinging
- Designed to be used with 5/8" thick material
- 3 way adjustability: 1/8" side-to-side, 1/8" back-to-back and 1/16" up and down
- Installation requires a 1-3/8" (35mm) dia. hole, 15/32" (12mm) D and centered 11/32" from edge of two surface opening angle is 90°
- Screws not included



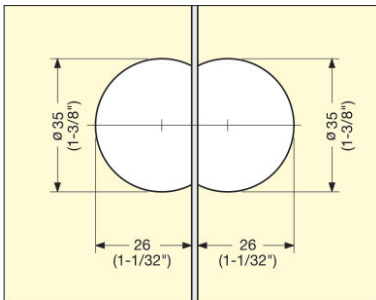
Item #	Size	Style	Sold In
WDT2351	57mm L x 38.6mm W	Free Swing	Per Each

B
C
D
E
F
G
H
I
J
K
L
M
N
O
P
Q
R
S
T
U
V
W
X
Y



Drop Lid Adjustable Hinge

- Opening angle 90°
- 2-way adjustment, overlay and door gap
- Flush when opened, ideal for writing desk application
- Can be used with soft down stay SDS-100, NSDX-10 or HDS-10
- Door Thickness: 5/8" - 3/4"
- Overlay Coverage: 9/16" - 5/8"
- Recommended use: 2 hinges panel size = 35-1/2"W x 20"H
- Recommended use: 3 hinges panel size = 47-1/4"W x 20"H
- Sold per each



Bore Dimensions

Right Hand Item #	Material	Finish	Sold In
SGSDH-001NI	Zinc Alloy	Nickel	Per Each



**Flap Hinges, Concealed Hinge Design
90° Self Closing**

- Designed to be used for drop flaps opening to a 90 degree angle
- Mounting plate to be used in a 32mm hole pattern on cabinet side wall and will position hinge cup 1/8" (6mm) from the sidewall
- Hinge has front adjustment +2mm and -1.5mm and is available in left and right handed models
- Screws not included



Item #	Description	Material/Finish	Sold In
HET1083935	RH Hinge	Steel/Nickel Plated	Per Each
HET1083936	LH Hinge	Steel/Nickel Plated	Per Each
HET1079222	Mounting Plate	Steel/Nickel Plated	Per Each