

SECTION D - TABLE OF CONTENTS

Section D Contents:

National Lock Overview 2

Removacore Locks 3

Disc Tumbler Locks 4-7

Pin Tumbler Locks 7-9

National Lock Accessories 10-11

SlamCAM/SlamStrike 12

Keyless Locks 13-15

Timberline Lock Overview 16

Timberline Lock Cylinder Bodies 17-26

Anti-Tip Interlock System 27

Glass Door Locks 28-29

Timberline Lock Plugs
& Accessories 30-31

Olympus Lock overview 32

Olympus Padlockable Camlock 33

Olympus Pin Tumbler Locks 34-35

Cam Lock Bodies 36-37

Olympus SFIC Cylinders 38

Olympus Lock Accessories 39-41

Specialty & Showcase Locks 42-44

Strikes & Catches 45-55

A
B
C
D
E
F
G
H
I
J
K
L
M
N
O
P
Q
R
S
T
U
V
W
X
Y



**OLYMPUS
LOCK**
INC



A NATIONAL LOCK OVERVIEW

B A Lock Is A Lock.....Or Is It?

C Disc Tumbler, Pin Tumbler & Deadbolt Locks:

D Disc Tumbler Cam Locks sometimes referred to as “wafer locks” are inexpensive, low security locks with limited keying capabilities. Master keying for disc tumbler locks is limited to only one level. The disc tumbler lock consists of chambers with only one disc per chamber which raises or lowers as the key passes through the window that is cut into the disc. Disc tumblers are not intended for high-use or high security applications because they wear out quicker and are easier to bypass than pin tumbler locks.

G Pin Tumbler Cam Locks are medium security utility locks that have greater keying capabilities. In commercial applications where large numbers of locks will be installed within a facility, pin tumbler locks are typically used because they allow the more complex master keying required in larger institutional settings such as schools, banks, and hospitals. The pin tumbler consists of chambers that contain at least two pins per chamber which raises or lowers as the key passes through. This type of lock is harder to bypass than disc tumbler locks.

J Deadbolt Locks are typically longer lasting than disc tumbler locks. A cam lock is chosen many times because it is the least expensive and most versatile alternative available. Cam locks, however, do not stand up to heavy use or provide the same level of security as a lock dedicated specifically for a door or drawer application. Dedicated door and drawer locks have a heavy duty deadbolt to secure the cabinet—a cam lock’s security is only as good as the screw which holds the cam in place.

L Understanding Keyed Locks:

M 1. Keyed Different: (KD) All locks in the item number will have a different key number. Each set of keys will only work with the lock it was supplied with. When ordering Keyed Different (KD) locks from our stock you do not need to choose a key number nor will you be able to specify a key number. The only way to specify certain key numbers is through **Special Order**. An example of an item number for keyed different lock is NC8173KD-26D. The KD in the part number denotes every lock you receive will have a different key number; **master keys will not work on these locks.**

P 2. Keyed Alike: (KA) All locks in the item number will have the same key number. Each set of keys will work with ALL locks ordered with the same key number. An example of an item number for keyed different lock is NC8053-C415A-14A. The KA in the part number denotes every lock you receive will have the same key number. There is no need for a master key with these locks as they will all open with each others’ key.

R 3. Keyed Different, Master Keyed: (MKKD) All locks in the item number will have a different key number. Each set of keys will only work with the lock it was supplied with. A Master Key (sold separately) will open all locks ordered. An example of an item number for keyed different lock is NC8053-MKKD-14A. The MKKD in the item number denotes every lock you receive will have a different key number, but you can order a Master Key which will open them all. **Remember, it is the lock that allows a master key to work, not the key itself.**

S 4. Keyed Alike, Master Keyed – Special Order Only. Used when locks are required to be keyed alike within groups and a different key number is required for each group. A Master Key (sold separately) will open all locks ordered. **Remember, it is the lock that allows a master key to work, not the key itself.**

UNASSEMBLED DISC TUMBLER CAM LOCKS



Removacore™ Housings and Plugs Masterkeyed



- 90° Cam turn locks come with one stop washer allowing cam to turn 90°
- Removacore locks are factory masterkeyed
- Once assembled, the masterkey for the Removacores will open any pre-assembled disc tumbler from CompX National that is factory masterkeyed
- For drawers, RH or LH doors either lipped, flush or overlay
- Requires 3/4" diameter hole for installation
- Key removable in both positions
- Control key is required to install core plugs into cylinder assembly
- Plugs supplied with 2 keys. Housing supplied with trim washer, spur washer (for wood), mounting nuts and two cams (Straight: 1-1/2" extension; Formed: 1-1/8" extension and 11/32" offset)
- Cannot mix assembled locks (i.e. C8053) with this product, they are not master keyed

NOTE: Order cylinder assembly, core plug and control key separately.

Cylinder Assemblies Only

Item #	Cylinder Length	Max Material Thickness	Cam Turn	Finish	Same as Assembled Lock
NCM57054C-14A	1-3/16"	7/8"	90°	Bright Nickel	NC8053
NCM57054L-14A	1-7/16"	1-1/8"	90°	Bright Nickel	NC8055
NCM57054N-14A	1-3/4"	1-7/16"	90°	Bright Nickel	NC8060

Core Plugs for Above Cylinder Assemblies



Keyed Alike Item #	Finish
NCM47054KA346-14A	Bright Nickel
NCM47054KA390-14A	Bright Nickel
NCM47054KA413-14A	Bright Nickel
NCM47054KA415-14A	Bright Nickel
NCM47054KA642-14A	Bright Nickel



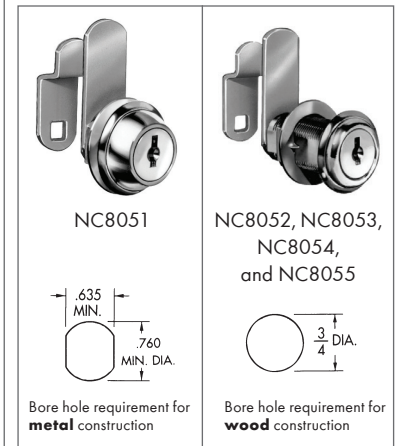
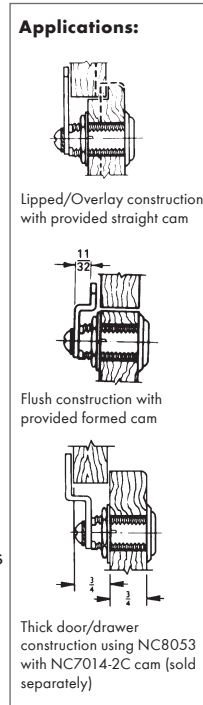
Item #	Description
NE41A	MasterKey
ND8779	Control Key (used for installation)

A
B
C
D
E
F
G
H
I
J
K
L
M
N
O
P
Q
R
S
T
U
V
W
X
Y

A DISC TUMBLER CAM LOCKS

B For Doors And Drawers
C 90° Cam Turn, Flush or Lipped/Overlay Construction

- Each lock comes with (1) stop washer which allows the cam to turn 90°
- For drawers, right-hand or left-hand doors
- Lipped/overlay construction (straight cam; 1-1/2" extension) or flush construction (formed cam; 1-1/8" extension, 11/32" offset)
- For overlay application, the combined thickness of front and frame cannot exceed the cylinder length listed below. To accommodate an overlay construction using a 3/4" front and a 3/4" frame, order the NC8053 lock and the NC7014-2C cam (see page D-10).
- Key removable in both locked and unlocked positions
- Includes two keys, trim washer, spur washer (for wood), mounting nut and two cams
- **Stock Keying is specified on table below:**
 KA = All Keyed Alike to key number specified, master key will not work on these locks
 KD = All Keyed Different, various lock numbers, master key will not work on these locks
 MKKD = All Keyed Different and master keyed, master key will work on these locks
- Other key changes available from National Lock via Special Order



Unassembled Removacore versions of this lock available on page D-3.

Keying	Cylinder Length	Max Material Thickness	Antique Brass Item #	Bright Brass Item #	Bright Nickel Item #
KA 415	7/16"	7/64"	-	-	NC8051-C415A-14A
KA346	5/8"	15/64"	-	-	NC8052-C346A-14A
KA415	5/8"	15/64"	-	-	NC8052-C415A-14A
KA 346	15/16"	5/8"	-	-	NC8054-C346A-14A
KA 413	15/16"	5/8"	-	-	NC8054-C413A-14A
KA 415	15/16"	5/8"	-	-	NC8054-C415A-14A
KA 346	1-3/16"	7/8"	NC8053-346A-4G	NC8053-C346A-3	NC8053-C346A-14A
KA 390	1-3/16"	7/8"	-	-	NC8053-C390A-14A
KA 413	1-3/16"	7/8"	NC8053-C413A-4G	NC8053-C413A-3	NC8053-C413A-14A
KA 415	1-3/16"	7/8"	NC8053-C415A-4G	NC8053-C415A-3	NC8053-C415A-14A
KA 420	1-3/16"	7/8"	NC8053-C420A-4G	NC8053-C420A-3	NC8053-C420A-14A
KA 642	1-3/16"	7/8"	-	-	NC8053-C642A-14A
KD	1-3/16"	7/8"	NC8053-KD-4G	-	NC8053-KD-14A
MKKD	1-3/16"	7/8"	NC8053-MKKD-4G	NC8053-MKKD-3	NC8053-MKKD-14A
KA 346	1-7/16"	1-1/8"	NC8055-C346A-4G	NC8055-C346A-3	NC8055-C346A-14A
KA 390	1-7/16"	1-1/8"	-	-	NC8055-C390A-14A
KA 413	1-7/16"	1-1/8"	-	-	NC8055-C413A-14A
KA 415	1-7/16"	1-1/8"	NC8055-C415A-4G	NC8055-C415A-3	NC8055-C415A-14A
KA 420	1-7/16"	1-1/8"	-	-	NC8055-C420A-14A
KA 642	1-7/16"	1-1/8"	-	-	NC8055-C642A-14A
KD	1-7/16"	1-1/8"	-	-	NC8055-KD-14A
MKKD	1-7/16"	1-1/8"	-	-	NC8055-MKKD-14A

DISC TUMBLER CAM LOCKS

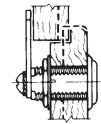
For Doors And Drawers

90° & 180° Cam Turn, Flush or Lipped/Overlay Construction

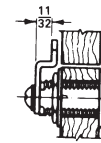
- Each lock comes with two stop washers allowing cam to turn either 90° or 180° based on application
- For drawers, right-hand or left-hand doors
- Lipped/overlay construction (straight cam; 1-1/2" extension) or flush construction (formed cam; 1-1/8" extension, 11/32" offset)
- For overlay application, the combined thickness of front and frame cannot exceed the cylinder length listed below. To accommodate an overlay construction using a 3/4" front and a 3/4" frame, order the NC8073 lock and the NC7014-2C cam (see page D-10).
- Key removable in both locked and unlocked positions
- Supplied with two keys, trim washer, spur washer (for wood), mounting nut, two cams and two stop washers
- Unassembled Removacore™ versions of this lock available on page D-3
- **Stock Keying is specified on table below:**
 KA = All Keyed Alike to key number specified, master key will not work on these locks
 KD = All Keyed Different, various lock numbers, master key will not work on these locks
 MKKD = All Keyed Different and master keyed, master key will work on these locks
- Other key changes available from National Lock via Special Order



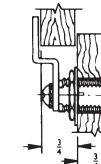
Applications:



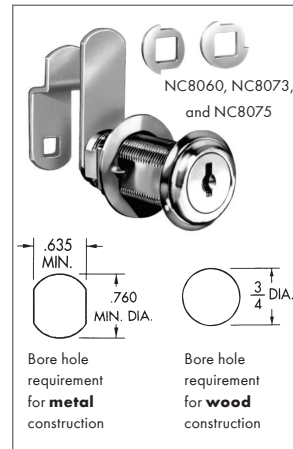
Lipped/Overlay construction with provided straight cam



Flush construction with provided formed cam



Thick door/drawer construction using NC8073 with NC7014-2C cam (sold separately)



2" cylinder length now available!
see NC8061 below

Keying	Cylinder Length	Max Material Thickness	Antique Brass Item #	Bright Brass Item #	Bright Nickel Item #
KA 346	1-3/4"	1-7/16"	NC8060-C346A-4G	NC8060-C346A-3	NC8060-C346A-14A
KA 390	1-3/4"	1-7/16"	-	-	NC8060-C390A-14A
KA 413	1-3/4"	1-7/16"	-	-	NC8060-C413-14A
KA 415	1-3/4"	1-7/16"	NC8060-C415A-4G	NC8060-C415A-3	NC8060-C415A-14A
KA 420	1-3/4"	1-7/16"	-	-	NC8060-C420A-14A
KA 642	1-3/4"	1-7/16"	-	-	NC8060-C642A-14A
KD	1-3/4"	1-7/16"	-	-	NC8060-KD-14A
MKKD	1-3/4"	1-7/16"	-	-	NC8060-MKKD-14A
KA 346	1-3/16"	7/8"	-	-	NC8073-C346A-14A
KA 390	1-3/16"	7/8"	-	-	NC8073-C390A-14A
KA 413	1-3/16"	7/8"	-	-	NC8073-C413A-14A
KA 415	1-3/16"	7/8"	NC8073-C415A-4G	NC8073-C415A-3	NC8073-C415A-14A
KA 420	1-3/16"	7/8"	-	-	NC8073-C420A-14A
KA 642	1-3/16"	7/8"	-	-	-
KD	1-3/16"	7/8"	-	-	NC8073-KD-14A
KA 346	1-7/16"	1-1/8"	-	-	NC8075-C346A-14A
KA 415	1-7/16"	1-1/8"	-	-	NC8075-C415A-14A
KA 415	2"	1-13/16"	-	-	NC8061-C415A-14A

A DISC TUMBLER CAM/DEADBOLT LOCKS

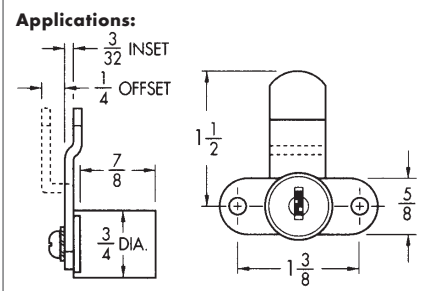


NC8080

**Surface Mounted For Doors and Drawers
90° and 180° Cam Turn, Flush or Lipped/
Overlay Construction**



- Each lock comes with two stop washers allowing cam to turn either 90° or 180° based on application
- Key removable in both locked and unlocked positions
- Supplied with two keys, mounting screws, and two stop washers
- Other key changes available from National Lock via Special Order



Keying	Cylinder Length	Max Material Thickness	Bright Brass Item #	Bright Nickel Item #
KA 390	7/8"	7/8"	-	NC8080-C390A-14A
KA 415	7/8"	7/8"	NC8080-C415A-3	NC8080-C415A-14A
KD	7/8"	7/8"	-	NC8080-KD-14A



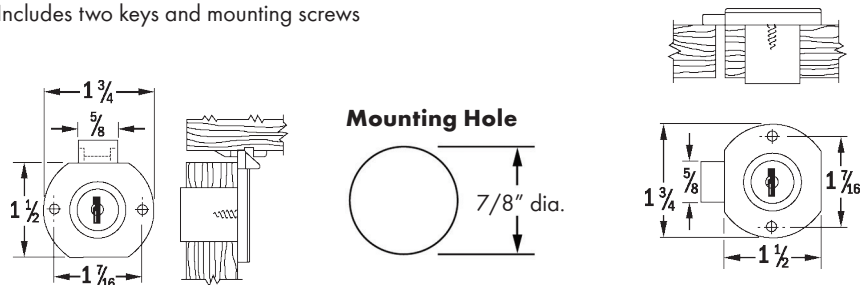
NC8703, 8705

NC8704

**Disc Tumbler Deadbolt Locks
Surface Mounted for Drawers or Doors**



- Requires 7/8" diameter hole for cylinder
- Key required to engage lock and is removable in both locked and unlocked positions
- Includes two keys and mounting screws



NOTE: Other cylinder lengths, finishes and key codes available. Contact your Würth Louis and Company Representative for more information.

Keying	Cylinder Length	Max. Material Thickness	Antique Brass Item #	Bright Brass Item #	Bright Nickel Item #
For Drawers					
KA 346	15/16"	11/32"	-	-	NC8703-C346A-14A
KA 413	15/16"	11/32"	-	-	NC8703-C413A-14A
KA 415	15/16"	11/32"	NC8703-C415A-4G	NC8703-C415A-3	NC8703-C415A-14A
KD	15/16"	11/32"	-	-	NC8703-KD-14A
MKKD	15/16"	11/32"	-	-	NC8703-MKKD-14A
KA 415	1-3/16"	11/32"	-	-	NC8705-C415A-14A
For Doors					
KA 346	15/16"	11/32"	-	-	NC8704-346-14A
KA 415	15/16"	11/32"	NC8704-C415A-4G	-	NC8704-C415A-14A

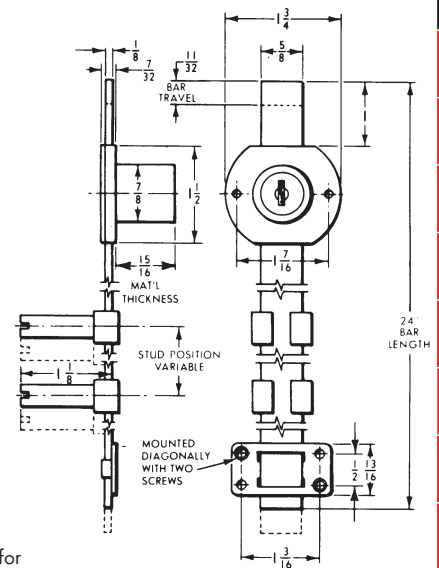
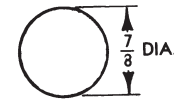
DISC TUMBLER GANG/PIN TUMBLER CAM LOCKS

Disc Tumbler Gang Lock Multiple Drawer Applications

- For locking drawers in desk pedestals and other multiple drawer applications
- Requires 7/8" diameter hole for cylinder, and dado for bar measuring 7/8" x 1/8" deep on inside of panel
- Key removable in both locked and unlocked positions
- Turning the key locks all drawers simultaneously (drawers must be in closed position); bar moves studs into notch in drawer or slide, preventing drawer movement
- Supplied with two keys, three locking studs, three stud slides, saddle and mounting screws. If trim ring is required, see NC2017 Series on page D-10.
- Stock Keying is specified on table below:
KA = All Keyed Alike to key number specified, master key will not work on these locks

Keying	Cylinder Length	Bar Travel	Bright Nickel Item #
KA 415	15/16"	11/32"	ND8090-C415A-14A

Bore hole requirements; also requires 7/8" x 1/8" deep dado for bar on inside of panel



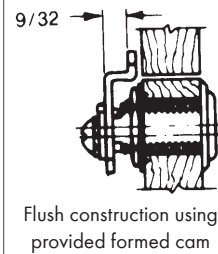
Saddle reverses for mortise application

Pin Tumbler Cam Locks For Door And Drawers 90° Cam Turn, Flush Construction

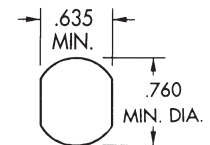
- Each lock comes with one stop washer which allows the cam to turn 90°
- For drawers, right-hand or left-hand doors
- Key removable in both locked and unlocked positions
- Supplied with two keys, trim washer, spur washer (for wood), mounting nut and two cams (1-1/8" extension, 9/32" offset)
- Stock Keying is specified on table below:
KA = All Keyed Alike to key number specified, master key will not work on these locks

Keying	Cylinder Length	Max Material Thickness	Satin Chrome Item #
KA107	1-7/16"	1-1/8"	NC8106-107-26D
KA 915	1-7/16"	1-1/8"	NC8106-915-26D
KA107	1-3/4"	1-3/8"	NC8108-107-26D
KA 915	1-3/4"	1-3/8"	NC8108-915-26D

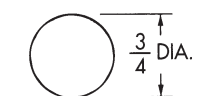
Applications:



NC8106,
NC8108

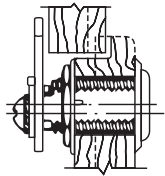


Bore hole requirement for **metal** construction



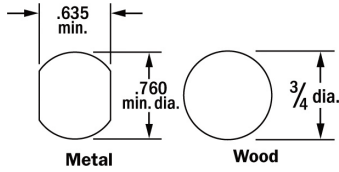
Bore hole requirement for **wood** construction

A PIN TUMBLER CAM LOCKS



Lipped/Overlay

Mounting Holes For Cylinder Cam Locks



Pin Tumbler Cam Locks 90° Cam Turn, Lipped/Overlay Construction

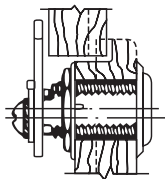


- For drawers, right-hand or left-hand doors
- For overlay application, the combined thickness of front and frame cannot exceed the cylinder length listed below
- Key removable in both locked and unlocked positions
- Includes 2 keys, trim washer, spur washer (for wood), mounting nut and 2 cams (1-1/8" extension)

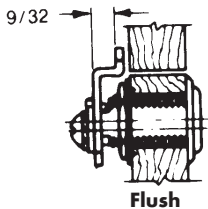
Each lock contains 4 different Cams to accommodate most applications.

NOTE: Other cylinder lengths, finishes and key codes available. Contact your Würth Louis and Company Representative for more information.

Keying	Cylinder Length	Max Material Thickness	Satin Brass Item #	Satin Chrome Item #
90° Cam Turn				
Key #101	1-3/16"	7/8"	-	NC8103-101-26D
Key #103	1-3/16"	7/8"	-	NC8103-103-26D
Key #107	1-3/16"	7/8"	-	NC8103-107-26D
Key #915	1-3/16"	7/8"	-	NC8103-C915A-26D
Key #915	1-3/4"	1-1/2"	NC8109-915-4	NC8109-915-26D
Key #101	1-3/4"	1-1/2"	-	NC8109-101-26D
Key #103	1-3/4"	1-1/2"	-	NC8109-103-26D
Key #107	1-3/4"	1-1/2"	-	NC8109-107-26D
Keyed Different	1-3/4"	1-1/2"	-	NC8109-KD-26D

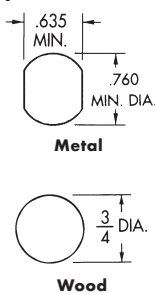


Lipped/Overlay



Flush

Mounting Holes For Cylinder Cam Locks



Pin Tumbler Cam Locks For Door And Drawers 90° Cam Turn, Lipped/Overlay or Flush Construction



- Multi-Functional Pin Tumbler Cam Lock with a 1-1/16" Cylinder Length
- The lock is packaged with four (4) cams, two straight and two double formed
- This allows the lock to be used for multiple applications for either drawer or right hand/left hand
- Key removable in both locked and unlocked positions doors with lipped or overlay construction
- Key removable in both locked and unlocked positions
- Supplied with two keys, trim washer, spur washer for wood, C2014 cam lock mounting plate for wood, mounting nut and two cams

Keying	Cylinder Length	Max Material Thickness	Satin Brass Item #	Satin Chrome Item #
KA 101	1-1/16"	3/4"	-	NC8102-101-26D
KA 103	1-1/16"	3/4"	-	NC8102-103-26D
KA 107	1-1/16"	3/4"	-	NC8102-107-26D
KA 915	1-1/16"	3/4"	NC8102-915-4	NC8102-915-26D
KD	1-1/16"	3/4"	-	NC8102-KD-26D

PIN TUMBLER DEADBOLT LOCKS

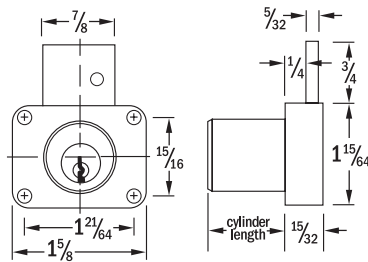
Pin Tumbler Deadbolt Locks Surface Mounted for Drawers or Doors

- Requires 57/64" diameter hole for cylinder
- Key required to engage lock and is removable in both locked and unlocked positions
- Advantage PLUS feature makes key changes easier by allowing you to remove the cylinder while the lock remains in place with a 5/64" allen wrench- no mounting screws need to be removed
- All are ANSI/BHMA certified Grade 2 A156.11 (Grade 1 available special order)
- Supplied with two keys, strike and mounting screws

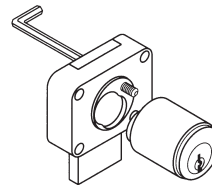
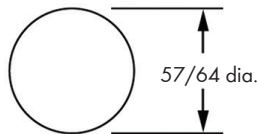
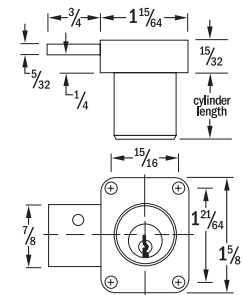
Non-Magnetic and
Non-Ferrous versions
available for MRI



NC8178, C8179,
C8180



NC8173



NOTE: Other cylinder lengths, finishes and key codes available. Contact your Würth Louis and Company Representative for more information.

For more information about
BHMA certified locks,
visit comp.x.com/csp_bhma.html

Keying	Cylinder Length	Max Material Thickness	Satin Chrome Item #
For Drawers			
Key #101	7/8"	3/4"	NC8178-101-26D
Key #103	7/8"	3/4"	NC8178-C103A-26D
Key #107	7/8"	3/4"	NC8178-107-26D
Key #915	7/8"	3/4"	NC8178-915-26D
KD	7/8"	3/4"	NC8178-KD-26D
Key #915	1-1/8"	3/4"	NC8177-C915A-26D
Key #101	1-3/8"	3/4"	NC8179-101-26D
Key #103	1-3/8"	3/4"	NC8179-103-26D
Key #107	1-3/8"	3/4"	NC8179-107-26D
Key #915	1-3/8"	3/4"	NC8179-915-26D
Key #915	1-5/8"	3/4"	NC8180-C915A-26D
For Doors			
Key #101	7/8"	3/4"	NC8173-101-26D
Key #103	7/8"	3/4"	NC8173-103-26D
Key #103	7/8"	3/4"	NC8173-107-26D
Key #915	7/8"	3/4"	NC8173-915-26D
KD	7/8"	3/4"	NC8173-KD-26D
MKKD	7/8"	3/4"	NC8173-MKKD-26D

A
B
C
D
E
F
G
H
I
J
K
L
M
N
O
P
Q
R
S
T
U
V
W
X
Y

CAM LOCK ACCESSORIES



Disc Tumbler Lock Keys

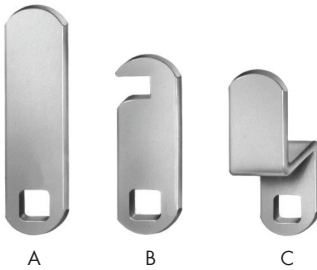
NOTE: Masterkey will only work with Masterkeyed locks



Item #	Description
NE41A	5 disc tumbler replacement master key
NC8785-346	Cut Key #346 (non master key)
NC415A	Cut Key #415 (non master key)

Disc Tumbler Cams

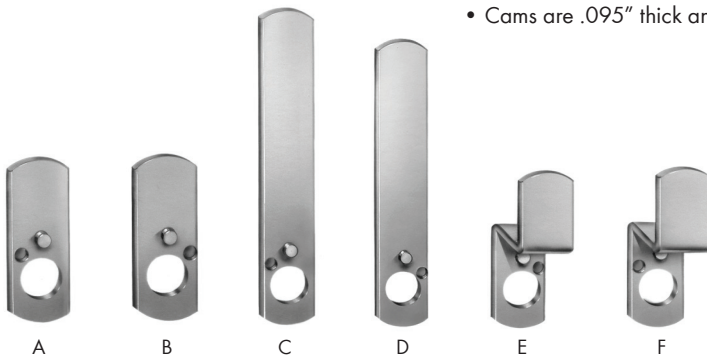
- Straight hook cams and double formed cams can be reversed when required



	Item #	Description	Length
A	NC7001-2C	Straight Cam	3/4"
	NC7004-2C	Straight Cam	2"
	NC7002	Straight Cam	1"
	NC7005-2C	Straight Cam	3"
	NC7003	Straight Cam	1-1/8"
B	NC7007-2C	Straight Hook Cam	1-1/8"
	NC7008-2C	Straight Hook Cam	1-1/2"
C	NC7009-2C	Double Formed Cam Offset	1-3/4" x 1/2" Offset
	NC7013-2C	Double Formed Cam Offset	1-1/8" x 3/8" Offset
	NC7014-2C	Double Formed Cam Offset	1-5/8" x 5/16" Offset

Pin Tumbler Cams

- Cams are .095" thick and .625" wide



	Item #	Description	Length	Offset
A	NC7101	Straight Cam	1-1/4"	-
B	NC7102	Straight Cam	1-1/4"	-
C	NC7104-2C	Straight Cam	3"	-
D	NC7105-2C	Straight Cam	3"	-
E	NC7114-2C	Double Formed Cam	1-5/8"	7/16"
F	NC7115-2C	Double Formed Cam	1-5/8"	7/16"



Disc & Pin Tumbler Lock Trim Rings

- 7/8" diameter trim ring
- Used to cover ragged edges around bored mounting holes



Item #	Finish
NC2017-26D	Satin Chrome

CAM LOCK ACCESSORIES



Plastic Spacer, 1/8" Thick

- Black Plastic Spacer for Pin Tumbler Door and Drawer Locks



Item #
NC2073



Cam Lock Mounting Plate

- Mounting plate for cam locks
- Screw mounted
- Use #8 screws, not included



Item #	Size	Finish
NC2016-2C	2-3/16" x 1-1/4"	Zinc Plated

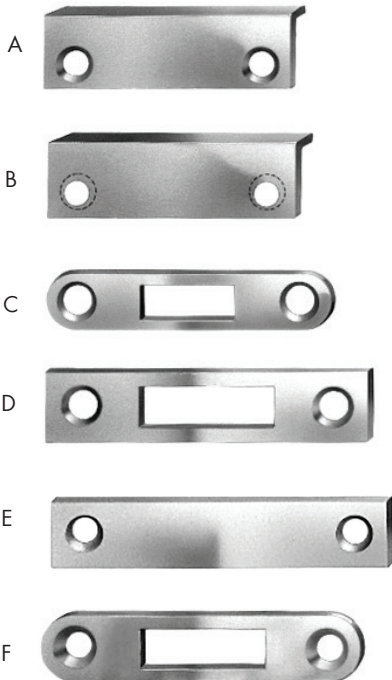


Cam Lock Mounting Plate

- Prevents entire cam lock from spinning in the application
- Recommended #8 screw, not included



Item #	Size	Finish
NC2014-2C	1-25/64" x 1-1/4"	Zinc Plated



Strikes For Disc & Pin Tumbler Locks

- Optional strikes for both disc and pin tumbler locks
- Furnished with screws to match the strike



	Bright Nickel Item #	Description	Overall Dimensions
A	NC2001-14A	Formed strike, no bolt hole	1-3/4" x 1/2" with 3/16" Form
B	NC2002-14A	Formed strike, no bolt hole, countersunk holes reserved	1-3/4" x 1/2" with 3/16" Form
C	NC2003-14A	Flat strike with rounded ends, 3/4" x 7/32" bolt hole	1-5/16" x 3/8"
D	NC2004-14A	Flat strike with square ends, 7/8" x 17/64" bolt hole	2-5/32" x 1/2"
E	NC2005-14A	Flat strike with square ends, no bolt hole	1-15/16" x 3/8"
F	NC2007-14A	Flat strike with rounded ends, 1-1/16" x 17/64" bolt hole	2-5/32" x 1/2"

A
B
C
D
E
F
G
H
I
J
K
L
M
N
O
P
Q
R
S
T
U
V
W
X
Y

A
B
C
D
E
F
G
H
I
J
K
L
M
N
O
P
Q
R
S
T
U
V
W
X
Y

SLAMCAM/SLAMSTRIKE



SlamCAM Spring Loaded Latch



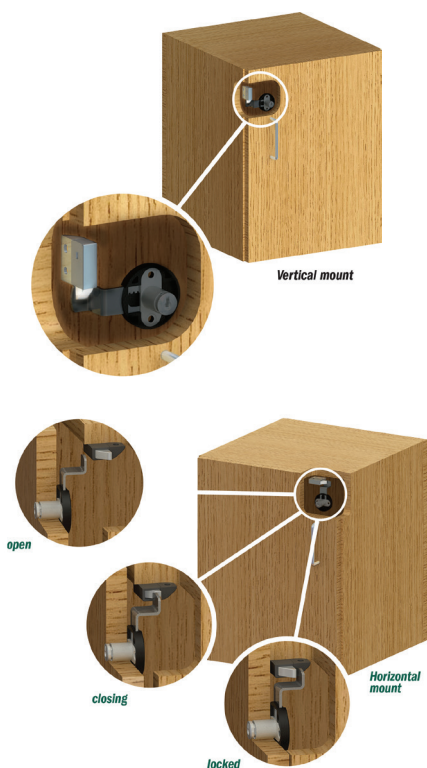
- Upgrade CompX National cam locks (C8051-C8075) to SlamCAM
- Self-locking feature uses spring tension to conveniently return the lock to the locked position
- Replacing steel cams with SlamCAM eliminates steel cams that crash into furniture or strikes while in the latched position
- Bent cams can cause locks not to secure properly or secure at all

NOTE: Using the self-locking component adds 5/16" to the length of the lock.

Additional note: Key removable only in "locked" position.

Item #	Size	Finish
90° & 180° Cam Turn		
NC7017	13/16" W x 1-7/16"H x 25/32" D	Bright Nickel

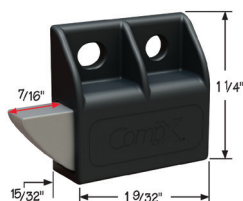
SlamStrike, Self-Locking, Spring Loaded



- Helps prevent damage if doors or drawers are closed with the lock in the latched position
- Mount either vertically or horizontally
- Fits within a 1/2" drawer slide clearance
- For new and retrofit applications, can be used with ANY CompX Lock separately
- Can be used with multiple drawer locking systems
- Minimum setback is 23/32"

NOTE: -B item numbers are Black; -W item numbers are white

Slam Strike Placement	Vertical Mount		Horizontal Mount	
	Black	White	Black	White
Hinge on Right	TMBSST-100B	TMBSST-100W	TMBSST-100B or TMBSST-200B	TMBSST-100W or TMBSST-200W
Hinge on Left	TMBSST-200B	TMBSST-200W	TMBSST-100B or TMBSST-200B	TMBSST-100W or TMBSST-200W



KEYLESS LOCKS



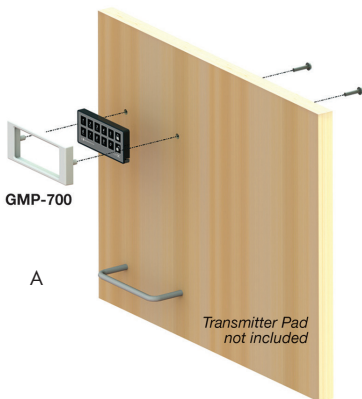
StealthLock, Keyless Cabinet Locking System, Radio Frequency Controlled



- For use in wood and wood product applications, phenolic resin and glass
- Radio frequency technology permits the Transmitter Pad to be stored anywhere
- Allows multiple cabinet doors or drawers to be locked from a single transmitter pad within a 15' range - one transmitter pad can activate an unlimited number of receiver latches
- Separate user and supervisor codes (4 to 8 digits) to operate the lock(s) - user programmable
- Low battery indicator on transmitter pad
- Designed to pass the ANSI/BIFMA 50 lb. pull strength specification

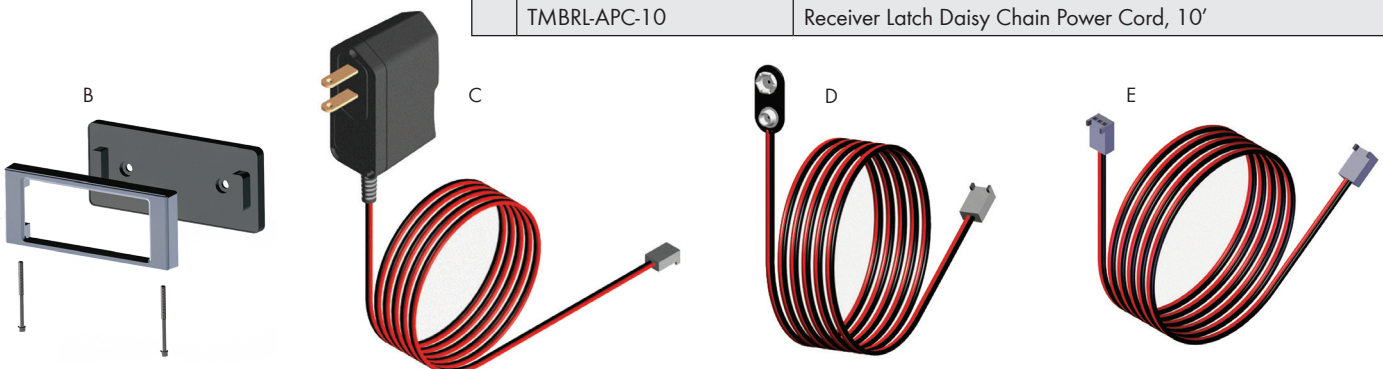
Visit stealthlock.com for additional information!

Item #	Description
TMBSL-100	Kit contains all parts necessary to lock one door or drawer. Includes: (1) receiver latch, (1) standard transmitter pad, (1) door/drawer strike plate, and (1) installation tool
TMBRL-110	Add-on Kit is needed to lock each additional door drawer operated by an existing transmitter pad. Includes (1) receiver latch and (1) door/drawer strike plate.
TMBMP-300SN	Backmounted bracket for securing transmitter pad, Satin Nickel
TMBRL-100	Receiver Latch Only
TMBTP-100	Standard Transmitter Pad only
TMBSP-600	Door/Drawer Strike Plate only
TMBTL-600	Installation Tool
TMBMP-300	Dedicated Transmitter Pad (Special Order only due to factory programmed settings)



StealthLock Accessories

Item #	Description
A	TMBMP-700 TMBMP-700B
B	TMBMP-300SN TMBMP-300B
C	TMBRLAP1
D	TMBRLAPC9VJ10 TMBRLAPC3
E	TMBRL-APC-5 TMBRL-APC-10



A
B
C
D
E
F
G
H
I
J
K
L
M
N
O
P
Q
R
S
T
U
V
W
X
Y

A KEYLESS LOCKS

B RegulatorR, Keyless/Push Button Lock

Keyless locking made easy! Electronic push button cabinet locks can be installed easily on new or retrofit applications.



Visit compxregulator.com for additional information!

RegulatorR comes in 2 locking versions:

- Self-locking features SlamCAM, a spring loaded latch, which allows the user simply to close the cabinet door or drawer – no need to return the knob to the locked position
- Manual locking version requires users to rotate the knob into the unlocked and locked positions

RegulatorR is easy to use:

- 20 codes per lock: 19 user codes and one supervisor code; code length is 4-8 digits

RegulatorR is easy to maintain:

- 75,000 cycles; extended battery life with low battery indicator
- Battery compartment is easily accessible from the outside of the cabinet

RegulatorR is easy to install:

- Four different keypad configurations: left and right hand, vertical and top vertical
- Install on new or retrofit applications; uses 3/4" diameter mounting hole

Item #	Lock Version	Mount Style	Cylinder Length
Manual Locking			
NCREGMLH-1	Manual	LH, Door - hinge on left side when facing cabinet	7/16"
NCREGMLH-3	Manual	LH, Door - hinge on left side when facing cabinet	1-3/16"
NCREGMLH-5	Manual	LH, Door - hinge on left side when facing cabinet	1-3/4"
NCREGMRH-1	Manual	RH, Door - hinge on right side when facing cabinet	7/16"
NCREGMRH-3	Manual	RH, Door - hinge on right side when facing cabinet	1-3/16"
NCREGMRH-5	Manual	RH, Door - hinge on right side when facing cabinet	1-3/4"
NCREGMT-1	Manual	Knob located at top, vertical application	7/16"
NCREGMT-3	Manual	Knob located at top, vertical application	1-3/16"
NCREGMT-5	Manual	Knob located at top, vertical application	1-3/4"
NCREGMV-1	Manual	Vertical Mount, knob located at bottom	7/16"
NCREGMV-3	Manual	Vertical Mount, knob located at bottom	1-3/16"
NCREGMV-5	Manual	Vertical Mount, knob located at bottom	1-3/4"
Self-Locking			
NCREGSL-1	Self-Locking	LH, Door - hinge on left side when facing cabinet	7/16"
NCREGSL-3	Self-Locking	LH, Door - hinge on left side when facing cabinet	1-3/16"
NCREGSL-5	Self-Locking	LH, Door - hinge on left side when facing cabinet	1-3/4"
NCREGSR-1	Self-Locking	RH, Door - hinge on right side when facing cabinet	7/16"
NCREGSR-3	Self-Locking	RH, Door - hinge on right side when facing cabinet	1-3/16"
NCREGSR-5	Self-Locking	RH, Door - hinge on right side when facing cabinet	1-3/4"
NCREGST-1	Self-Locking	Knob located at top, vertical application	7/16"
NCREGST-3	Self-Locking	Knob located at top, vertical application	1-3/16"
NCREGST-5	Self-Locking	Knob located at top, vertical application	1-3/4"
NCREGSV-1	Self-Locking	Vertical Mount, knob located at bottom	7/16"
NCREGSV-3	Self-Locking	Vertical Mount, knob located at bottom	1-3/16"
NCREGSV-5	Self-Locking	Vertical Mount, knob located at bottom	1-3/4"

KEYLESS LOCKS

ecoForce, No-Battery Push Button Cabinet Lock



No battery

- CompX ecoForce is a keyless, push button cabinet lock that does NOT require batteries, which is good for the environment and saves money

Pushbutton Combination

- Allows for one user code, from one to five digits long. Users can also simultaneously press up to five digits at one time
- If a user code is forgotten, ecoForce has a code discoverable feature

Key Override

- Unique key and keyway allow for access when combination is forgotten

Available in two locking versions

- Self-locking features SlamCAM, a spring loaded latch, allowing the user simply to close the cabinet door or drawer – no need to return the knob to the locked position
- Manual locking version requires the knob to be rotated into the unlocked and locked positions

Four keypad configurations

- LH Door/Drawer, RH Door/Drawer, Vertical - Door Application, Horizontal - Door Application



NOTE: Special order. Contact your Würth Louis and Company Sales or Customer Service Representative for additional information.

Visit compxecoforce.com for additional information!



Keyless Combination Cam Lock DualAxes, 90° Cam Turn



- Access the lock by combination or with a twist of the key
- All come masterkeyed
- 10,000 possible code combinations
- Retrofits into existing 3/4" wood or metal mounting holes, no need for additional modification
- Secure combinations, code can only be changed with the proper key and correct combination

Keying	Cylinder Length	Max. Material Thickness	Color	Item #
KA 108	7/8"	5/8"	Black	ND8030-DA108-19
KA 120	7/8"	5/8"	Black	ND8030-DA120-19
KD	7/8"	5/8"	Black	ND8030-KD-19
KA 108	1-3/8"	1-1/8"	Black	ND8031-DA108-19
KA 124	1-3/8"	1-1/8"	Black	ND8031-DA124-19
KD	1-3/8"	1-1/8"	Black	ND8031-KD-19

DualAxes Accessory Items:	
Description	Item #
Master key for use with Dual Axes Locks	ND8772
Lock plug removal key for Dual Axes Locks	ND8771
Key blank for use with Dual Axes Locks	ND8770

No Batteries Required!

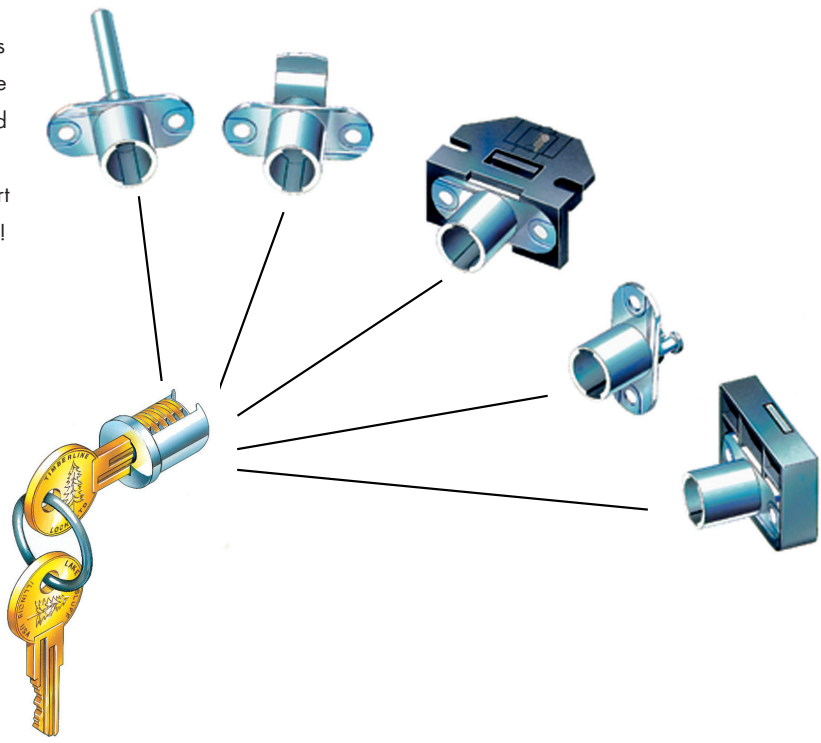
A
B
C
D
E
F
G
H
I
J
K
L
M
N
O
P
Q
R
S
T
U
V
W
X
Y

A TIMBERLINE LOCK OVERVIEW

B Timberline Interchangeable Lock Plug System
C One Lock Plug Fits All Cylinder Body Applications



D Why Interchangeable Lock Plugs?
 If a new key is required to work a series of locks, substantial time is spent removing the locks and rekeying them. In some instances, the cabinet locks are so difficult to rekey they are replaced and the old locks are scrapped - that cost adds up over time. With an interchangeable lock plug system, key changes are easy - simply insert the control key, remove the lock plug, and insert the new lock plug!

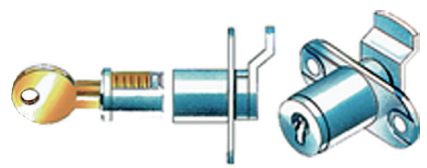


H ANY LOCK PLUG
I INSERTS INTO
J ANY CYLINDER
K BODY!

- L Complete Keying Versatility:**
- M** • In the plant...furniture can be keyed easily to the customer's requirements at any time
 - N** • In the field...key numbers can be readily installed at installation time or easily changed later by your customer

O Ease of Finishing: Furniture may be finished without lock plug installed, eliminating the need for masking
P Simplified Inventory Management: One stock of lock plugs fulfills all types of locking requirements

R Lock Plug + Cylinder Body = Assembled Lock



When assembled, most Timberline locks are designed for mounting in 3/4" panels, with or without a veneer or laminate face.

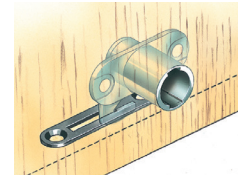
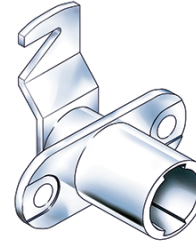
All Timberline Locks Mount Easily With #6 Screws

Most Timberline locks are used in a 16.5mm hole (drill bit TMBDB-165). Optional bezels are available that allow use of locks in holes from 3/4" to 7/8" in diameter.

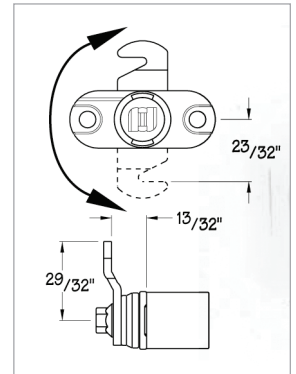
CYLINDER BODIES

Flipper/Tambour Door Cylinder Body, Horizontal Mount Mounts 3/4" Material

- Cam lock with hooked cam for horizontal flipper or tambour doors
- Lock must be mounted counter-clockwise to lock
- Cylinder length is 3/4"
- Requires 16.5mm diameter bore hole
- TMBS-181 Series Strike Plate sold separately (See page D-30)

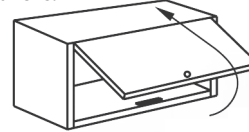


Item #	Description	Cylinder Length	Setback	Cam Rotation	Cam Extension
TMBCB-181	Cylinder Body	3/4"	13/32"	180°	29/32"
TMBS-181	Strike Plate, Black	-	-	-	-
TMBS-181-BN	Strike Plate, Bright Nickel	-	-	-	-



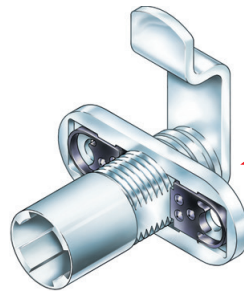
Order Lock Plug & Strike separately, see page D-30

Applications:



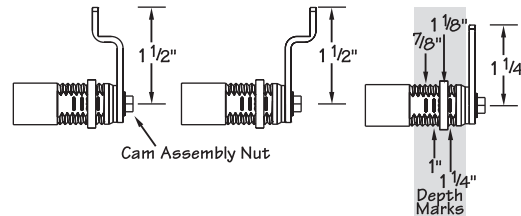
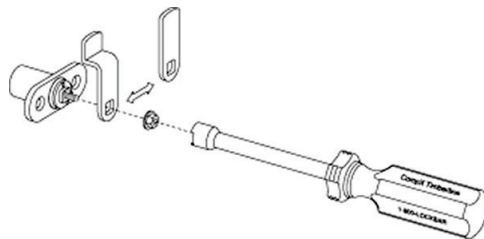
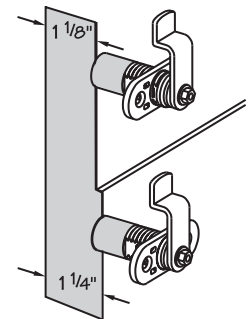
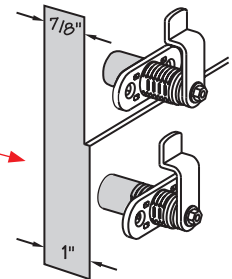
Thick Panel Cylinder Bodies Vertical Material Thickness 7/8" - 1-1/4"

- Universal type lock for doors or drawers
- Lock comes packaged with a straight cam extending 1-1/4" and a bent arm cam extending 1-1/2"
- Cylinder length adjusts from 7/8" to 1-1/4" lengths by screwing the cylinder body in/out
- Requires 16.5mm diameter bore hole
- Counter-clockwise to lock at a 90° rotation (only)
- Supplied with nickel plated finish cup



Mounting flange adjusts to allow lock to be mounted in panels from 7/8" thick up to 1-3/8" thick

CB-170 Type 170 Cylinder Body



The 'thick panel lock' comes packaged with 2 different cams which can be assembled to the lock in any of the 3 orientations illustrated above. This offers sufficient flexibility to adapt to most locking situations.

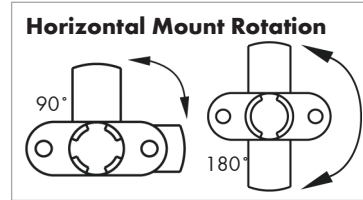
Item #	Cam Extension	Cam Rotation
TMBCB-170	Straight: 1-1/4", Bent Cam: 1-1/2"	90°

Order Lock Plug & Strike separately, see page D-30

CAM LOCK CYLINDER BODIES, HORIZONTAL MOUNT

Cam Locks, Horizontal Mount 90° or 180° Rotation

- All locks require a 16.5 mm diameter bore hole
- Designed to mount in 3/4" thick material with 3/4" long cylinder
- Locks must be installed to lock in a counter clockwise position



	90° Rotation	180° Rotation		90° Rotation	180° Rotation
	(A) TMBCB-080 	(H) TMBCB-180 		(D) TMBCB-087 	(K) TMBCB-187
	(B) TMBCB-083 	(I) TMBCB-183 		(E) TMBCB-085 	(L) TMBCB-185
	(C) TMBCB-084 	(J) TMBCB-184 		(F) TMBCB-088 	(M) TMBCB-188
 Order Lock Plug & Strike separately, See Page D-30				(G) TMBCB-089 	(N) TMBCB-189

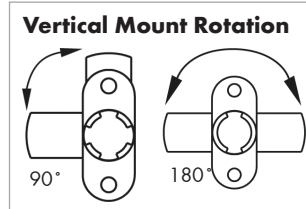
90° Rotation				
Item #	Cylinder Length	Setback	Cam Extension	
A	TMBCB-080	3/4"	3/32"	13/16"
B	TMBCB-083	3/4"	3/32"	1-1/4"
C	TMBCB-084	3/4"	9/32"	1-1/4"
D	TMBCB-087	3/4"	9/32"	1-23/32"
E	TMBCB-085	3/4"	15/32"	13/16"
F	TMBCB-088	3/4"	15/32"	1-1/4"
G	TMBCB-089	3/4"	7/8"	1-1/4"

180° Rotation				
Item #	Cylinder Length	Setback	Cam Extension	
H	TMBCB-180	3/4"	3/32"	13/16"
I	TMBCB-183	3/4"	3/32"	1-1/4"
J	TMBCB-184	3/4"	9/32"	1-1/4"
K	TMBCB-187	3/4"	9/32"	1-23/32"
L	TMBCB-185	3/4"	15/32"	13/16"
M	TMBCB-188	3/4"	15/32"	1-1/4"
N	TMBCB-189	3/4"	7/8"	1-1/4"

CAM LOCK CYLINDER BODIES, VERTICAL MOUNT

Cam Locks, Vertical Mount 90° or 180° Rotation

- All locks require a 16.5 mm diameter bore hole
- Designed to mount in 3/4" thick material with 3/4" long cylinder
- Locks must be installed to lock in a counter clockwise position



CompX
TIMBERLINE

	90° Rotation	180° Rotation		90° Rotation	180° Rotation
	(A) TMBCB-090 	(H) TMBCB-190 		(D) TMBCB-097 	
	(B) TMBCB-093 	(I) TMBCB-193 		(E) TMBCB-095 	(K) TMBCB-195
	(C) TMBC-094 	(J) TMBCB-194 		(F) TMBCB-098 	(L) TMBCB-198
	Order Lock Plug & Strike separately, See Page D-30			(G) TMBC-099 	

90° Rotation				
Item #	Cylinder Length	Setback	Cam Extension	
A	TMBCB-090	3/4"	3/32"	13/16"
B	TMBCB-093	3/4"	3/32"	1-1/4"
C	TMBC-094	3/4"	9/32"	1-1/4"
D	TMBCB-097	3/4"	9/32"	1-23/32"
E	TMBCB-095	3/4"	15/32"	13/16"
F	TMBCB-098	3/4"	15/32"	1-1/4"
G	TMBC-099	3/4"	7/8"	1-1/4"

180° Rotation				
Item #	Cylinder Length	Setback	Cam Extension	
H	TMBCB-190	3/4"	3/32"	13/16"
I	TMBCB-193	3/4"	3/32"	1-1/4"
J	TMBCB-194	3/4"	9/32"	1-1/4"
K	TMBCB-195	3/4"	15/32"	13/16"
L	TMBCB-198	3/4"	15/32"	1-1/4"

A
B
C
D
E
F
G
H
I
J
K
L
M
N
O
P
Q
R
S
T
U
V
W
X
Y

A DEADBOLT LOCK CYLINDER BODIES, HORIZONTAL MOUNT



Round Cylinder



Rectangular Cylinder

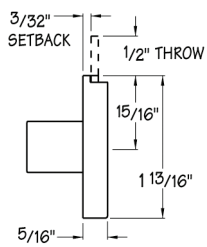
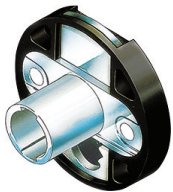
**Deadbolt Locks, Horizontal Mount
Mounts in 3/4" Material**



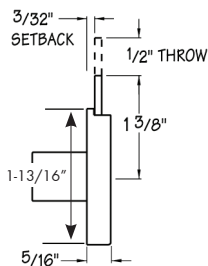
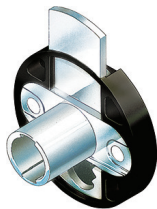
- Surface mounted lock for locking doors or drawers
- All locks cylinders are 3/4" L
- Requires 16.5mm diameter bore hole
- 180° key rotation
- Key removable in locked and unlocked positions
- Tough nylon housing

Order Lock Plug & Strike separately, see page D-30

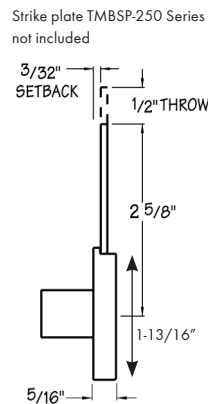
(A) TMBCB-230



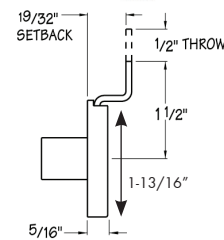
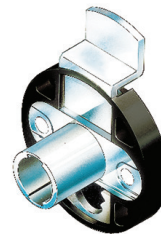
(B) TMBCB-231



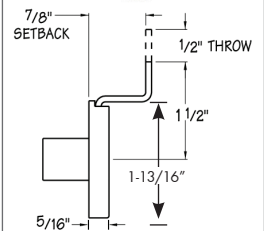
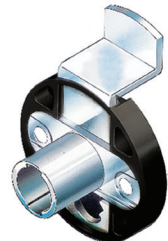
(C) TMBCB-232



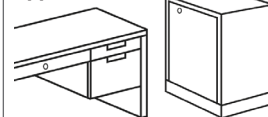
(D) TMBCB-234



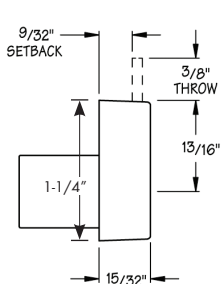
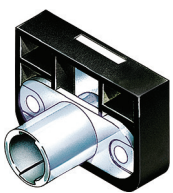
(E) TMBCB-235



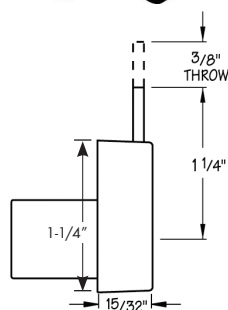
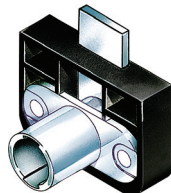
Applications:



(F) TMBCB-280



(G) TMBCB-281

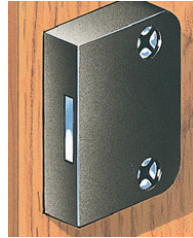


	Item #	Cam Setback	Cam Extension	Cam Throw
A	TMBCB-230	3/32"	15/16"	1/2"
B	TMBCB-231	3/32"	1-3/8"	1/2"
C	TMBCB-232	3/32"	2-5/8"	1/2"
D	TMBCB-234	19/32"	1-1/2"	1/2"
E	TMBCB-235	7/8"	1-1/2"	1/2"
F	TMBCB-280	9/32"	13/16"	3/8"
G	TMBCB-281	9/32"	1-1/4"	3/8"

DEADBOLT LOCK CYLINDER BODIES, VERTICAL MOUNT



Round Cylinder

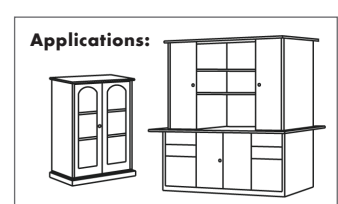
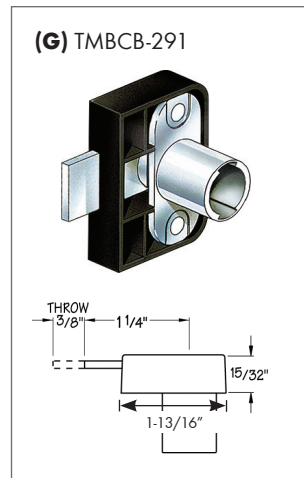
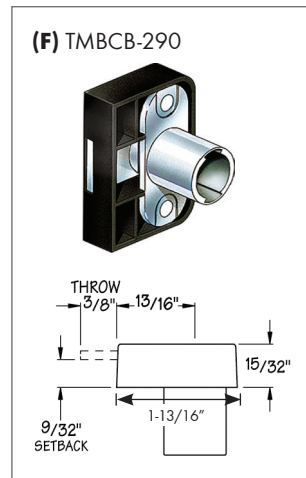
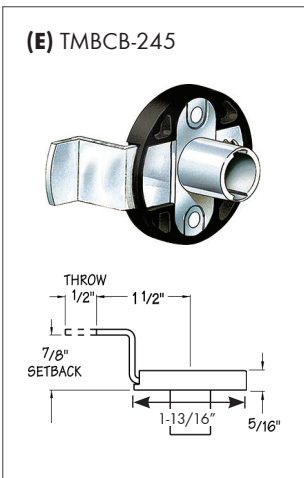
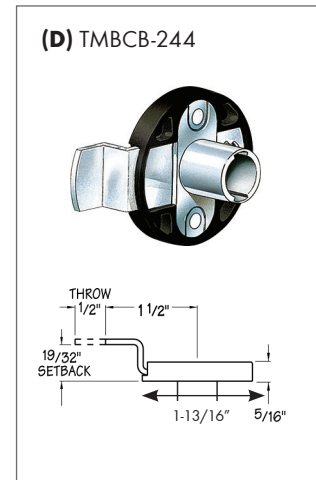
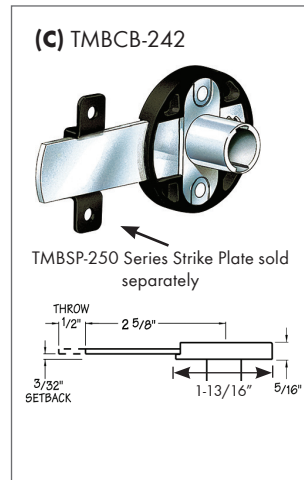
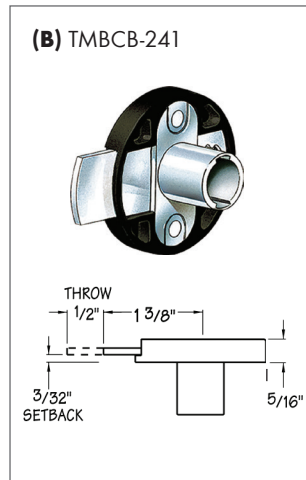
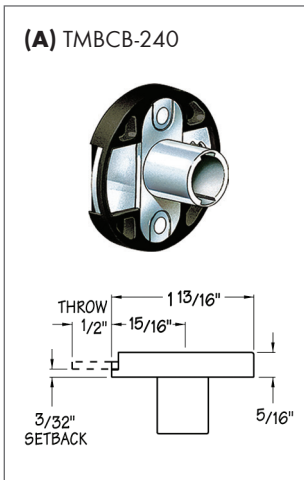


Rectangular Cylinder

**Deadbolt Locks, Vertical Mount
Mounts in 3/4" Material**



- Surface mounted lock for locking doors
- All locks have 3/4" long cylinders
- Requires 16.5mm diameter bore hole
- 180° key rotation
- Key removable in both locked and unlocked positions
- Tough nylon housing



Order Lock Plug & Strike separately, see page D-30

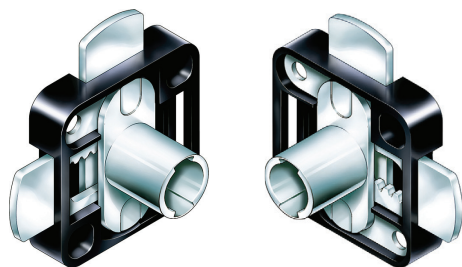
	Item #	Cylinder Length	Cam Setback	Cam Extension	Cam Throw
A	TMBCB-240	3/4"	3/32"	15/16"	1/2"
B	TMBCB-241	3/4"	3/32"	1-3/8"	1/2"
C	TMBCB-242	3/4"	3/32"	2-5/8"	1/2"
D	TMBCB-244	3/4"	19/32"	1-1/2"	1/2"

	Item #	Cylinder Length	Cam Setback	Cam Extension	Cam Throw
E	TMBCB-245	3/4"	7/8"	1-1/2"	1/2"
F	TMBCB-290	3/4"	9/32"	13/16"	3/8"
G	TMBCB-291	3/4"	9/32"	1-1/4"	3/8"

A
B
C
D
E
F
G
H
I
J
K
L
M
N
O
P
Q
R
S
T
U
V
W
X
Y

A DOUBLE DOOR LOCK CYLINDER BODIES

A
B
C
D
E
F
G
H
I
J
K
L
M
N
O
P
Q
R
S
T
U
V
W
X
Y

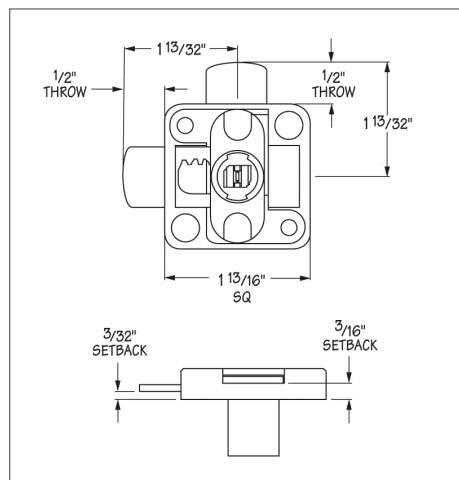
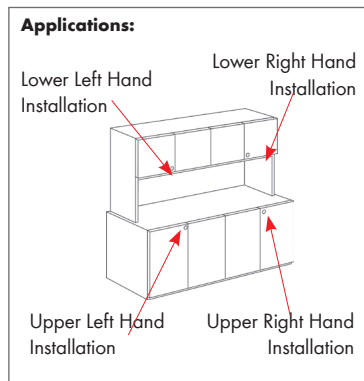


A. TMBCB-250

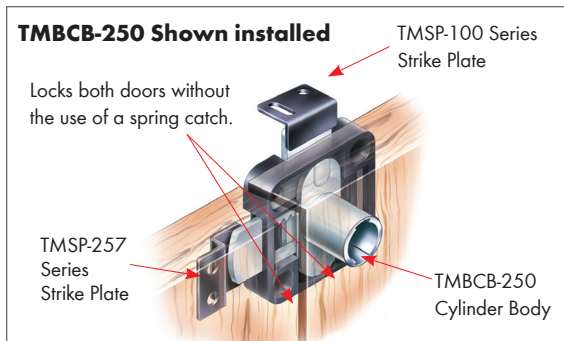
B. TMBCB-255

Double Door Cylinder Body Mounts in 3/4" Material

- Timberline Type 250 Double Door Lock
- Surface mounted lock for locking two adjacent doors
- Locks both doors without the use of a spring catch
- Works with either overlay or inset doors
- Requires 16.5mm diameter bore hole
- Turn key counter-clockwise to lock
- Key removable in both locked and unlocked positions
- TMSP-100 and TMSP-257 Series strike plates sold separately (1 each required per lock) See page D-30



Order Lock Plug & Strike separately, see page D-30



	Item #	Description	Application
A	TMBCB-250	Double Door Lock	Lower left hand or upper right hand installation
B	TMBCB-255	Opposite Mount Double Door Lock	Lower right hand or upper left hand installation



Thumb Knob

- For use with all CompX Timberline cylinder bodies
- Works as a general thumb latch when keyed lock plugs are not required
- Can use as a shipping plug, or an insert for testing locks during manufacturing



Item #
TMBLPTK03

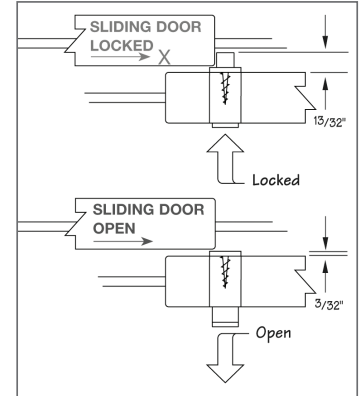
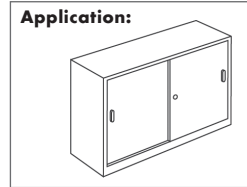
SLIDING DOOR & GANG LOCK CYLINDER BODIES

Sliding Door Push Lock Cylinder Body Mounts in 3/4" Material

- For locking sliding, bypass type doors
- Requires 3/4" diameter hole in front door for cylinder
- Pushing in cylinder locks doors, with or without key; 45° key rotation allows cylinder to pop back out to unlock doors
- Lock throw length is 5/16"
- Optional TMBBZ-110 finish cup for back door requires 1/2" hole

Item #	Description	Cylinder Length
TMBCB-175	Cylinder Body	3/4"
TMBBZ-110	Optional Finish Cup, Nickel Finish	-

Order Lock Plug & Strike separately, see page D-30

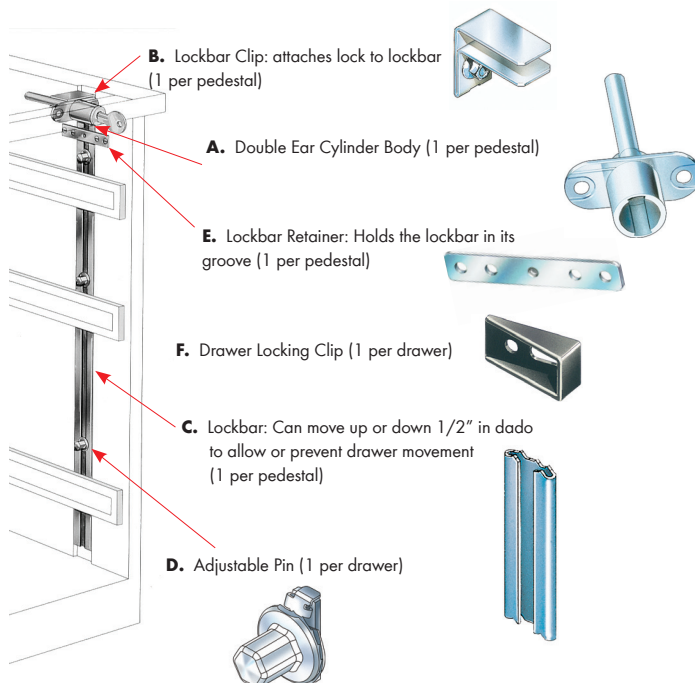


Gang Lock Cylinder Bodies

- Designed to have lock cylinder mount into fixed cabinet top rail
- Mounts in 3/4" material
- Lockbar stocked in four standard lengths; can be cut to size by user



NOTE: Additional styles available. Contact your Würth Louis and Company Representative for more information.



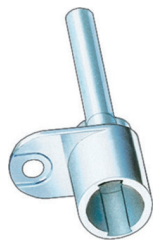
Item #	Description
A	TMBCB-100 Cylinder Body, 3/4" L
B	TMBLC-100 Lockbar Clip
C	TMBLB-120 Lockbar, 18" (cut to size)
	TMBLB-240 Lockbar, 24" (cut to size)
	TMBLB-360 Lockbar, 36" (cut to size)
	TMBLB-480 Lockbar, 48" (cut to size)
D	TMBAP-037 Adjustable Pin, 3/8"
E	TMBLR-100 Lockbar Retainer
F	TMBDC-500 Drawer Locking Clip

Order Lock Plug & Strike separately, see page D-30

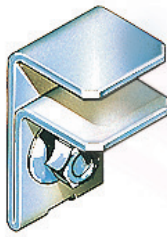
A GANG LOCK CYLINDER BODIES

**Multiple Drawer Gang Lock, Drawer Front Mount
For use with Hanging Files, 3/4" Material**

- Timberline System 101 is designed to have lock cylinder mounted in drawer front
- Minimizes interference with hanging files
- Full 1/2" lockbar throw
- Fits within 1/2" drawer slide clearance
- Minimal machining required; drawer front hole for lock and cabinet groove for lockbar
- Lockbar stocked in four standard lengths as shown below; can be cut to size by user
- Lockbar must be restrained from dropping when in the locked position



A. TMBCB-101



B. TMBLC-106



C. TMBLB Series



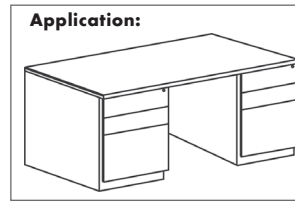
D. TMBAP-037



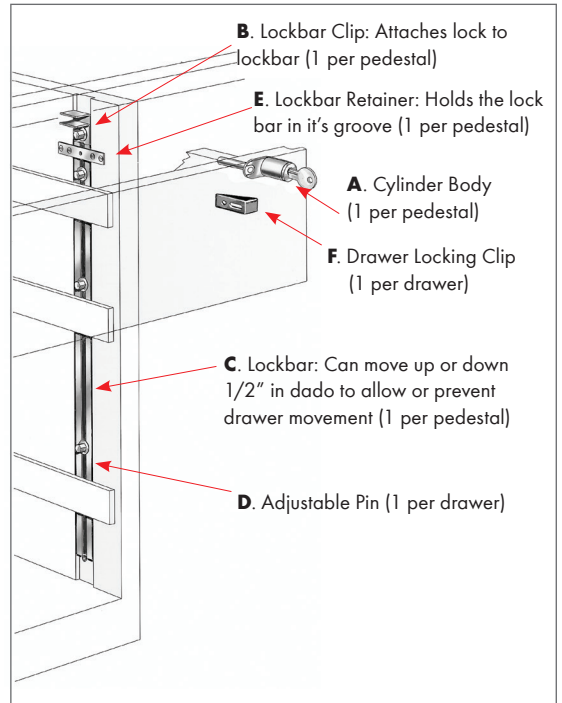
E. TMBLR-100



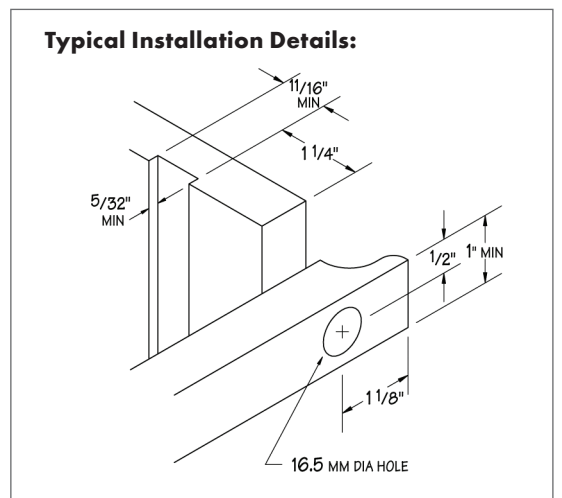
F. TMBDC-500



Application:



Item #	Description
A	TMBCB-101 Cylinder Body, 3/4" Length
B	TMBLC-106 Lockbar Clip
C	TMBLB-120 Lockbar, 18"
	TMBLB-240 Lockbar, 24"
	TMBLB-360 Lockbar, 36"
	TMBLB-480 Lockbar, 48"
D	TMBAP-037 Adjustable Pin, 3/8"
E	TMBLR-100 Lockbar Retainer
F	TMBDC-500 Drawer Locking Clip

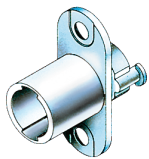


Order Lock Plug & Strike separately, see page D-30

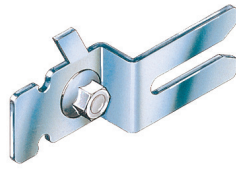
GANG LOCK CYLINDER BODIES

Multiple Drawer Gang Lock, Side Mount For 3/4" Material

- Timberline System 150
- Full 1/2" lockbar throw
- Fits within 1/2" drawer slide clearance
- Lock cylinder length is 3/4" and mounted in side panel
- Minimal machining required; hole for lock and groove for lockbar
- Lockbar stocked in standard sizes as shown below; can be cut to size by user



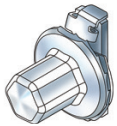
A. TMBCB-150



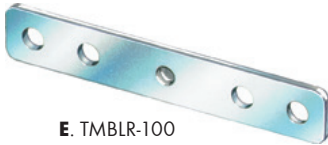
B. TMBLC-150



C. TMBLB Series



D. TMBAP-037



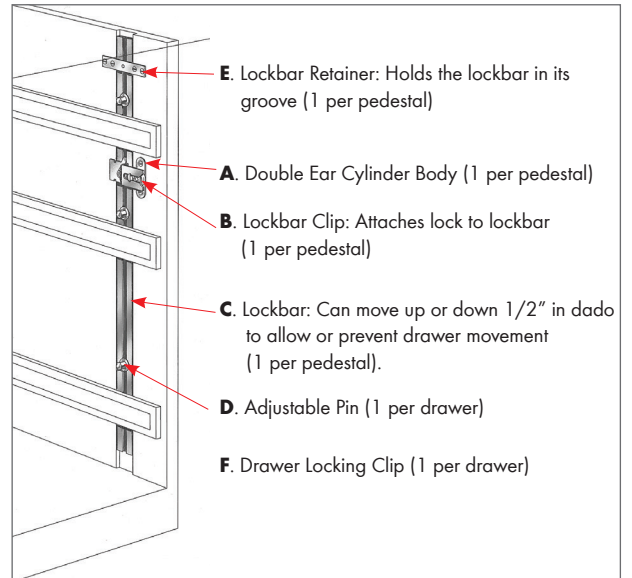
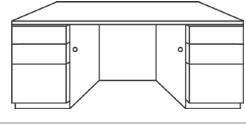
E. TMBLR-100



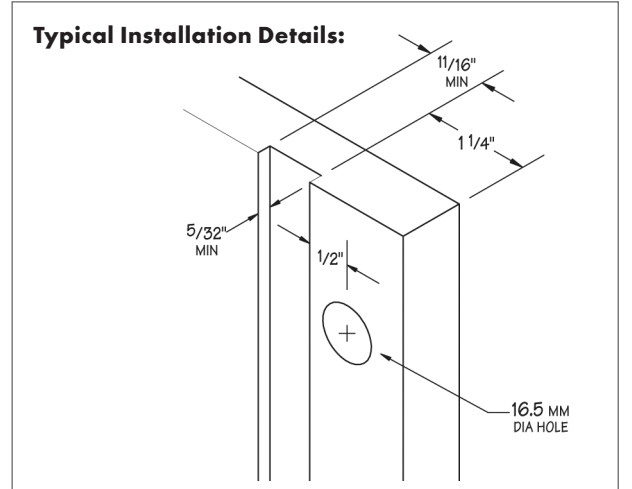
F. TMBDC-500

	Item #	Description
A	TMBCB-150	Cylinder Body, 3/4" Length
B	TMBLC-150	Lockbar Clip
C	TMBLB-120	Lockbar, 18"
	TMBLB-240	Lockbar, 24"
	TMBLB-360	Lockbar, 36"
	TMBLB-480	Lockbar, 48"
D	TMBAP-037	Adjustable Pin, 3/8"
E	TMBLR-100	Lockbar Retainer
F	TMBDC-500	Drawer Locking Clip

Application:



Typical Installation Details:



**Order Lock Plug & Strike separately,
see page D-30**

A
B
C
D
E
F
G
H
I
J
K
L
M
N
O
P
Q
R
S
T
U
V
W
X
Y

WARDROBE LOCK CYLINDER BODIES/STRIKE PLATES



Wardrobe Lock Cylinder Body



- For use on vertical wardrobe doors, 3/4" material
- Full 1/2" wardrobe bar throw
- Center line of lock must be minimum of 1" from edge of door
- 16.5mm lock hole only machining required
- Wardrobe bar supports used every 18". All locks require a 16.5 mm diameter bore hole.

Item #	Description
TMBCB-260	Wardrobe Lock Cylinder Body
TMBWB-480	50" Wardrobe Bar (cut to size)
TMBSP-260	Wardrobe Bar Support (every 18")
TMBSP-101	Strike Plate, Black
TMBSP101-SN	Strike Plate, Bright Nickel

Order Lock Plug separately, see page D-30.
Order Strike Plate separately, see below.

Strike Plates

- Strike plates are sold without screws
- TMBSP-181 and TMBSP-185 use #6 x 1/2" Flathead screws
- TMBSP-500 uses #8 x 1/2" Flathead screws
- All others use #6 x 1/2" Panhead screws



	Black Item #	Bright Nickel Item #
A	TMBSP-100	TMBSP100-SN
B	TMBSP-101	TMBSP101-SN
C	TMBSP-181	TMBSP-181-BN
D	TMBSP-185	TMBSP-185SN
E	TMBSP-250	TMBSP-250SN
F	TMBSP-251	TMBSP-251-BN
G	TMBSP-255	TMBSP-255SN
H	TMBSP-256	TMBSP-256-BN
I	TMBSP-257	-
J	TMBSP-258	TMBSP-258-BN
K	-	TMBSP-500

A

Use with: Cam, deadbolt or wardrobe locks

B

Use with: Cam, deadbolt or wardrobe locks

C

Use with: Horizontal flipper/tambour door locks

D

Use with: Cam, deadbolt or glass door locks

E

Use with: Deadbolt locks

F

Use with: Deadbolt locks

G

Use with: Cam or deadbolt locks

H

Use with: Cam or deadbolt locks

I

Use with: Double door locks

J

Use with: Double door locks

K


Screws to case side. Use when no stringer is available.

ANTI-TIP INTERLOCK SYSTEM

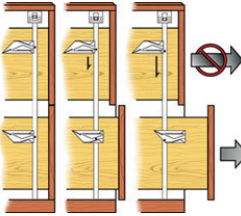
For 2 or 3-4 Drawer Lateral File



- Prevents more than one drawer from being opened at a time
- Used on file cabinets where no lock is present
- Meets BIFMA standards for strength and durability
- All components are surface mounted
- 1/2" drawer slide clearance required
- Lockbar can be cut to size by user

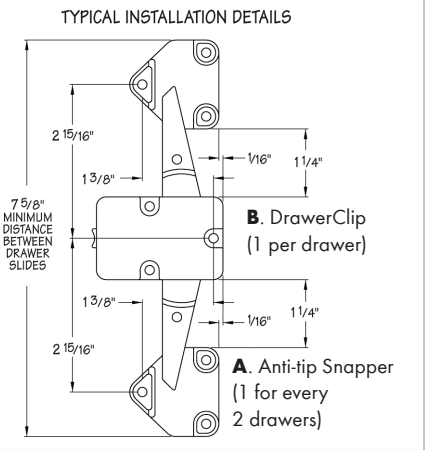


2-Drawer lateral (no lock)



When either drawer is pulled open, the drawer clip on that drawer moves the snapper into a locked position. Thereby preventing any further drawers from being opened.

TYPICAL INSTALLATION DETAILS

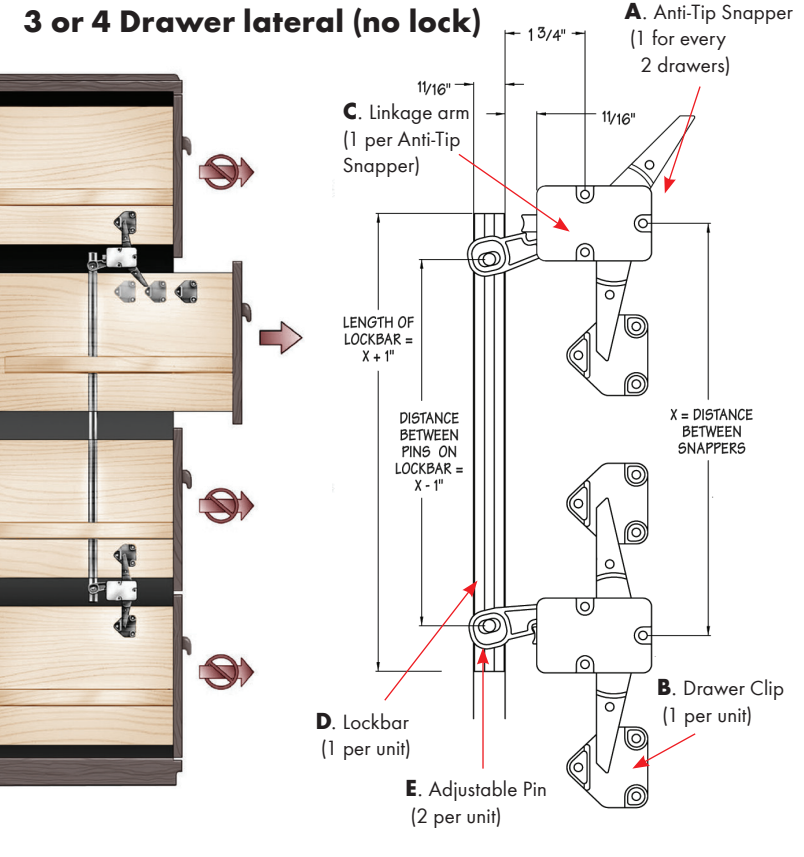


7 5/8" MINIMUM DISTANCE BETWEEN DRAWER SLIDES

B. DrawerClip (1 per drawer)

A. Anti-tip Snapper (1 for every 2 drawers)

3 or 4 Drawer lateral (no lock)



A. Anti-Tip Snapper (1 for every 2 drawers)

B. Drawer Clip (1 per unit)

C. Linkage arm (1 per Anti-Tip Snapper)

D. Lockbar (1 per unit)

E. Adjustable Pin (2 per unit)

13/4"

11/16"

11/16"

LENGTH OF LOCKBAR = $X + 1"$

DISTANCE BETWEEN PINS ON LOCKBAR = $X - 1"$

X = DISTANCE BETWEEN SNAPPERS

Item #	Description	2 Drawer Files	3-4 Drawer Files
A	TMBSN-400 Anti-Tip Snapper	1	2
B	TMBDC-400 Drawer Clip	1 per drawer	1 per drawer
C	TMBSN-410 Linkage Arm	0	1 per Anti-Tip Snapper
D	TMBLB-240 Lockbar, 24"	0	1 per unit
	TMBLB-360 Lockbar, 36"	0	1 per unit
E	TMBAP-037 Adjustable Pin, 3/8"	0	2 per unit

Order Lock Plug & Strike separately, see page D-30

A
B
C
D
E
F
G
H
I
J
K
L
M
N
O
P
Q
R
S
T
U
V
W
X
Y

A GLASS DOOR LOCKS

B Bore Hole, No Bore Hole & Double Door

C

D

E

F

G

H

I

J

K

L

M

N

O

P

Q

R

S

T

U

V

W

X

Y

Bore Hole Style Vertical Mount

CAM MUST ROTATE COUNTERCLOCKWISE TO LOCK

FINISH CAP IS ATTACHED TO GIVE FINISHED APPEARANCE

NUT WASHER IS HAND TIGHTENED TO FASTEN CYLINDER BODY TO GLASS

7/8" DIAMETER HOLE BORED IN GLASS CENTERED 7/8" FROM EDGE

Application:

Details on next page

K

L

M

N

O

P

Q

R

S

T

U

V

W

X

Y

No Bore Hole Style Vertical Mount

Set screw tightens lock to glass using a flat-blade screwdriver

Application:

LOCK SLIPS ONTO EDGE OF GLASS DOOR AT ANY LOCATION

NO BORING REQUIRED

No Bore Hole Style Horizontal Mount

Details on next page

T

U

V

W

X

Y

Double Glass Door Lock Style

SET SCREW TIGHTENS LOCK TO GLASS DOOR

Details on next page

GLASS DOOR LOCKS

Bore Style, Glass Door Lock For Glass Doors Up To 3/8" Thick



- Designed for swing style doors
- Fully cushioned lock clamping to avoid glass damage
- Horizontal and vertical mount lock to side or bottom of cabinet
- 2 piece lock design for quick mounting - no cam assembly needed
- Requires 7/8" dia. hole bored in glass centered 7/8" from edge
- Cam must rotate counterclockwise to lock with an extension of 7/8" and a setback of 15/16"
- Finish cap is attached to give finished appearance

Order Lock Plug & Strike separately, see page D-30

Item #	Description	Finish
Vertical Mount		
TMBCB-311	Lock Body	Bright Nickel
TMBCB-315	Lock Body	Brass
TMBCB-317	Lock Body	Satin Nickel
Horizontal Mount		
TMBCB-301	Lock Body	Bright Nickel
TMBCB-307	Lock Body	Satin Nickel
Strike Plates		
TMBSP-185	Strike Plate	Black
TMBSP-185SN	Strike Plate	Bright Nickel

No Bore Style, Glass Door Lock For 1/4" - 5/16" Thick Glass Doors



- Designed for swing style doors
- Non-bore glass door locks - lock slips onto edge of glass door
- Lock is fully cushioned to avoid glass damage
- Horizontal and vertical mount lock to side or bottom of cabinet
- Lock throw is 1/2"
- Vertical or horizontal mounts on glass from 1/4" - 5/16" thick

Order Lock Plug & Strike separately, see page D-30

Item #	Description	Finish
Vertical Mount		
TMBCB-361	Lock Body	Bright Nickel
TMBCB-367	Lock Body	Satin Nickel
Horizontal Mount		
TMBCB-351	Lock Body	Bright Nickel
Strike Plates		
TMBSP-185	Strike Plate	Black
TMBSP-185SN	Strike Plate	Bright Nickel

Double Glass Door Lock For 1/4" - 5/16" Thick Glass Doors - Vertical Mount



- Designed for swing style doors when left and right doors locking simultaneously is desired
- Non-bore glass door locks - lock slips onto edge of glass
- Fully cushioned lock to avoid glass damage
- Two lock throws extend 1/2" from bottom and left (as you face the lock) side of lock housing

Order Lock Plug & Strike separately, see page D-30

Item #	Description	Finish
TMBCB-371	Lock Body	Bright Nickel
TMBCB-377	Lock Body	Satin Nickel
Strike Plates		
TMBSP-185	Strike Plate	Black
TMBSP-185SN	Strike Plate	Bright Nickel

A TIMBERLINE LOCK ACCESSORIES



Master Keyed Lock Plugs

- All lock plugs shown will work with all Timberline cylinder bodies
- Choose lock plug based on finish and key numbers your job requires
- Key number coded on face and keys (two keys included with each lockplug)
- All lock plugs are masterkeyed

Additional key numbers available.

NOTE: Contact your Würth Louis and Company Representative for more information.



Key #	Bright Nickel Item #	Antique English Item #	Black Item #	Statuary Bronze Item #	Bright Brass Item #	Satin Nickel Item #
Keyed Different	TMBLP100-KD	-	TMBLP300-KD	-	-	TMBLP700-KD
100TA	TMBLP-100-100TA	TMBLP-200-100TA	TMBLP-300-100TA	TMBLP-400-100TA	TMBLP-500-100TA	TMBLP-700-100TA
101TA	TMBLP-100-101TA	TMBLP-200-101TA	TMBLP-300-101TA	TMBLP-400-101TA	TMBLP-500-101TA	TMBLP-700-101TA
102TA	TMBLP-100-102TA	TMBLP-200-102TA	TMBLP-300-102TA	TMBLP-400-102TA	TMBLP-500-102TA	TMBLP-700-102TA
103TA	TMBLP-100-103TA	TMBLP-200-103TA	TMBLP-300-103TA	TMBLP-400-103TA	TMBLP-500-103TA	TMBLP-700-103TA
104TA	TMBLP-100-104TA	-	TMBLP-300-104TA	TMBLP-400-104TA	TMBLP-500-104TA	TMBLP-700-104TA
105TA	TMBLP-100-105TA	-	TMBLP-300-105TA	TMBLP-400-105TA	TMBLP-500-105TA	TMBLP-700-105TA
106TA	TMBLP-100-106TA	-	TMBLP-300-106TA	TMBLP-400-106TA	TMBLP-500-106TA	TMBLP-700-106TA
107TA	TMBLP-100-107TA	-	TMBLP-300-107TA	TMBLP-400-107TA	TMBLP-500-107TA	TMBLP-700-107TA
108TA	TMBLP-100-108TA	-	TMBLP-300-108TA	TMBLP-400-108TA	TMBLP-500-108TA	TMBLP-700-108TA
109TA	TMBLP-100-109TA	-	TMBLP-300-109TA	TMBLP-400-109TA	TMBLP-500-109TA	TMBLP-700-109TA

A

Use with: Cam, deadbolt or wardrobe locks

B

Use with: Cam, deadbolt or wardrobe locks

C

Use with: Horizontal flipper/tambour door locks

Strike Plates

- Strike plates are sold without screws
- TMBSP-181 and TMBSP-185 use #6 x 1/2" Flathead screws
- TMBSP-500 uses #8 x 1/2" Flathead screws
- All others use #6 x 1/2" Panhead screws

D

Use with: Cam, deadbolt or glass door locks

E

Use with: Deadbolt locks

F

Use with: Deadbolt locks

G

Use with: Cam or deadbolt locks

H

Use with: Cam or deadbolt locks

I

Use with: Double door locks

J

Use with: Double door locks

K

Screws to case side. Use when no stringer is available.

	Black Item #	Bright Nickel Item #
A	TMBSP-100	TMBSP100-SN
B	TMBSP-101	TMBSP101-SN
C	TMBSP-181	TMBSP-181-BN
D	TMBSP-185	TMBSP-185SN
E	TMBSP-250	TMBSP-250SN
F	TMBSP-251	TMBSP-251-BN
G	TMBSP-255	TMBSP-255SN
H	TMBSP-256	TMBSP-256-BN
I	TMBSP-257	-
J	TMBSP-258	TMBSP-258-BN
K	-	TMBSP-500

TIMBERLINE LOCK ACCESSORIES



Timberline Keys



Item #	Description
TMBKY-500-TA	Lock plug change key required to remove lock plugs from cylinder body
TMBKY-101	Masterkey for use with Timberline locks



Bezels

- Allows cylinder bodies to be used with 3/4" - 7/8" diameter holes
- Permits use of locks in 7/8" thick panels



Item #	Finish
TMBBZ-100	Nickel
TMBBZ-200	Old English
TMBBZ-300	Black
TMBBZ-400	Statuary Bronze
TMBBZ-500	Polished Brass
TMBBZ-700	Satin Nickel

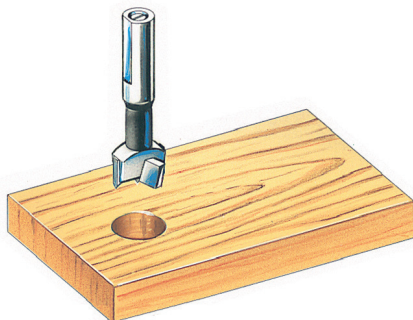


Spacer

- Allows cam lock cylinder bodies to be used in 5/8" thick panels



Item #
TMBSP-300



Drill Bit

- 16.5mm drill bit
- 10mm shank diameter
- Drills the proper diameter hole for most Timberline cylinder bodies



Item #
TMBDB-165

A
B
C
D
E
F
G
H
I
J
K
L
M
N
O
P
Q
R
S
T
U
V
W
X
Y

A OLYMPUS LOCK OVERVIEW

B Olympus Lock

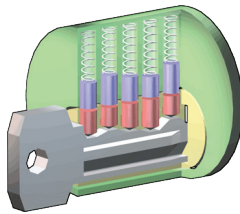


Olympus Lock manufactures institutional grade cabinet locks that reflect the company’s culture of design and ingenuity. The company pioneered rekeyable cabinet locks and holds numerous North American patents speaking to those inventions. By incorporating feedback from locksmiths at airports, casinos, schools, and hospitals, Olympus engineered its products to be both durable and easy to work with, making it the preferred choice of institutional locksmiths.

The Company has been around for over three decades, is still family owned and operated, and boasts industry leading ship times.

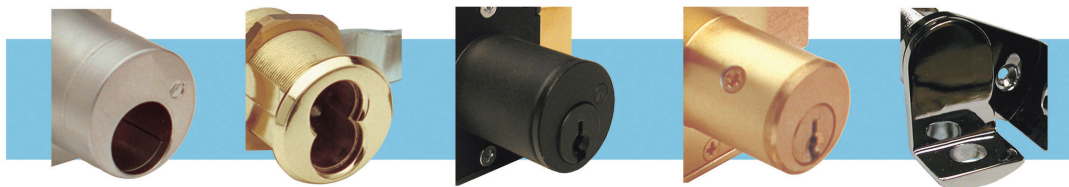
Institutional Grade Cabinet Locks - Heavy duty locks for high use applications

What are the benefits of a pin tumbler versus a disc tumbler? Pin tumbler key systems provide significantly more key changes than disc tumbler systems. See the chart below for the typical number of allowable key changes under a single master key:



Additional Pin tumbler Features:

- 5 or 6 chambers, pin #s 0-9 (10 total steps per chamber)
- 2000+ keyed different and master keyed total key changes
- Can be grand master keyed
- More secure keyway
- For high-use commercial applications



US26D / 626 Satin Chrome Plated **US3 / 605** Polished Brass **US10B / 613** Oil Rubbed Bronze **US4 / 606** Satin Brass **US26 / 625** Polished Chrome

Why Olympus Lock?

- **Speed** is **KEY** - 98% of orders ship within 24-48 hours, over 350,000 locks on the floor!
- **Versatility** is **KEY** - all locks are rekeyable in 4 minutes or less!
- **Quality** is **KEY** - tested to ANSI/BHMA standards where applicable!
- **Innovation** is **KEY** - over 22 North American patents, always improving or adding features, no “me-too’s”!
- **Security** is **KEY** - all pin tumbler locks, complex masterkeying beyond grandmaster is available!
- **Support** is **KEY** - factory direct assistance and submittal samples always available!
- **Order History** is **KEY** - need to add on to a job? Electronic key records are kept for all specialty orders!

PADLOCKABLE CAM LOCK

DCP Series Padlockable Cam Lock



Specifications

Function: Cam lock for use with padlock as locking device.

Functions on doors or drawers. Ideal for locker applications.

Through-hole: 0.4"

Padlocks: Not included; accepts most standard padlocks with a shackle diameter 3/8" or less

Max. Material Thickness: 1-1/8"

Barrel Diameter: 3/4"

Finishes: 26D, 26 (3, 19 available via direct ship)

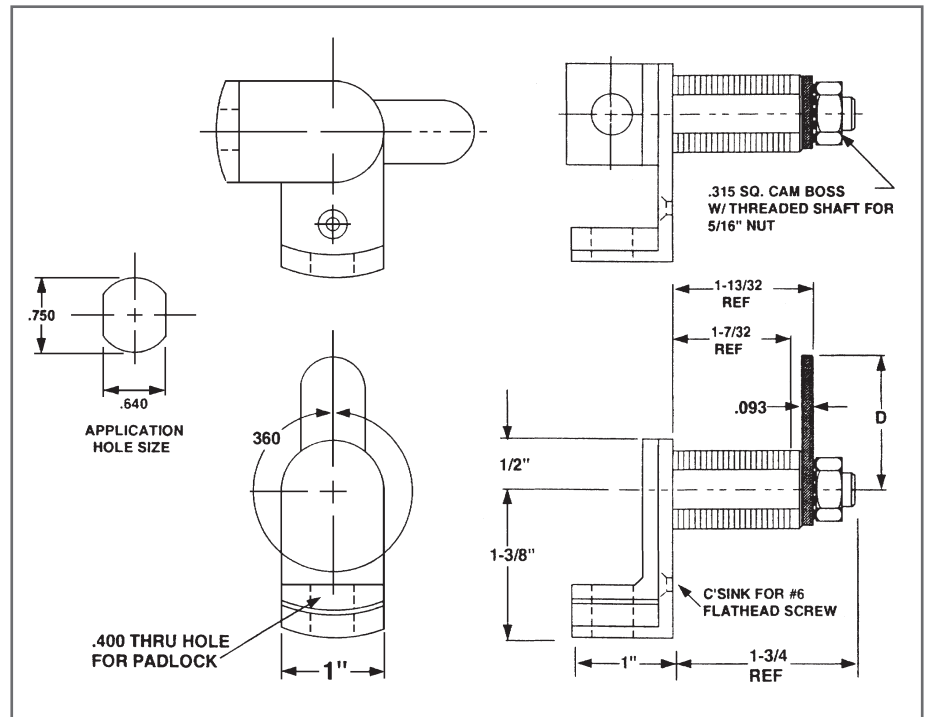
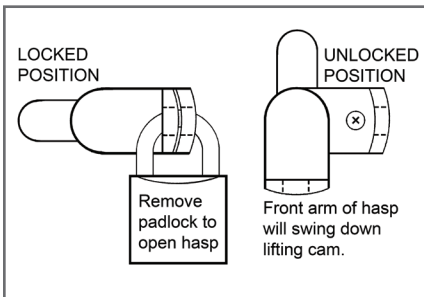
Included Accessories:

DCP-LC straight 1-1/4" cam;

DCNP-SPW pronged wood washer

Available with thumb pull via direct ship.

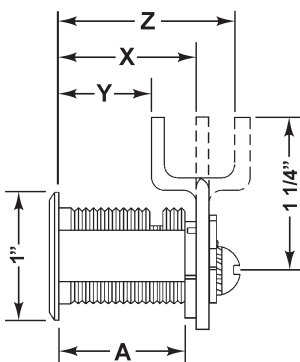
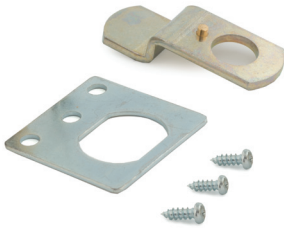
Item #	Finish	Cyl Length	Description
OLDCP-26D	Satin Chrome	1-7/32"	Padlock not included
OLDCP-US26	Polished Chrome	1-7/32"	Padlock not included



A
B
C
D
E
F
G
H
I
J
K
L
M
N
O
P
Q
R
S
T
U
V
W
X
Y

A PIN TUMBLER CAM LOCKS

DCN Series Pin Tumbler Cam Locks



DIMENSIONS

	For Mat. Thickness	Straight Cam (X)	Inbent Cam (Y)	Outbent Cam (Z)	Cylinder Length (A)
DCN1	3/4"	1-1/16"	3/4"	1-3/8"	1"
DCN2	7/8"	1-3/16"	7/8"	1-1/2"	1-1/8"
DCN3	1-1/8"	1-7/16"	1-1/8"	1-3/4"	1-3/8"
DCN4	1-1/2"	1-13/16"	1-1/2"	2-1/8"	1-3/4"

Specifications

Keying: Can be keyed together with other N Series locks

Rekeyable: Easily rekeyable via cylinder retainer clip

ANSI/BHMA: Passed ANSI/BHMA A156.11 Grade 1 performance requirements.

Equivalent to E07261 / E07271.

Woodwork Institute: (WI) acknowledged product

Body: Zinc die cast; **Cylinder:** Zinc die cast, pin tumbler

Standard function: Key removable in locked or unlocked position.

Cams: 2 reversible cams work in all positions

Face: 1" face covers splintering, no additional trim ring required

Finishes: 26D, 3, 10B

Keying Information

Keyway: N Series (equivalent to National D4291 4-pin or D4292 5-pin system)

Keys: Includes 2 keys per lock

Stock keying: KD/KA - 4 pin standard

Stock KA#: 101, 103, 107, 915

Masterkeyed: 5 pin standard; **Grand masterkeyed:** Available

Included Accessories

DCNP-100-SC straight cam, DCNP-100-BC offset reversible cam, DCNP-500-ARP anti-rotation plate, DCNP-200-OCD lost-motion cam shifter

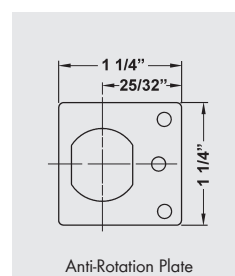
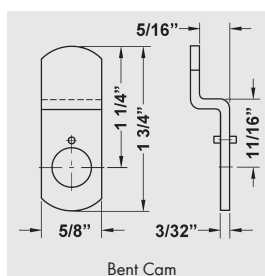
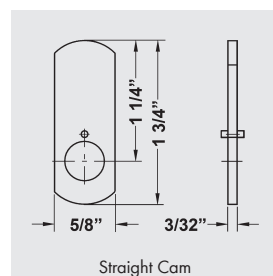
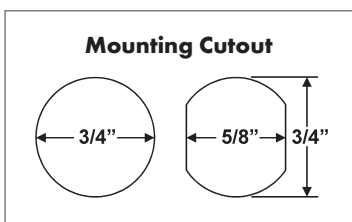
Custom Keying Available

Finish	Item #	Cyl Length (as measured with straight cam)
Satin Chrome	OLDCN1-26D.**	1-1/16"
Oil Rubbed Bronze	OLDCN1-10B.**	1-1/16"
Bright Brass	OLDCN1-US3.**	1-1/16"
Satin Chrome	OLDCN2-26D.**	1-3/16"
Oil Rubbed Bronze	OLDCN2-10B.**	1-3/16"
Bright Brass	OLDCN2-US3.**	1-3/16"
Satin Chrome	OLDCN3-26D.**	1-7/16"
Oil Rubbed Bronze	OLDCN3-10B.**	1-7/16"
Bright Brass	OLDCN3-US3.**	1-7/16"
Satin Chrome	OLDCN4-26D.**	1-3/4"
Oil Rubbed Bronze	OLDCN4-10B.**	1-3/4"
Bright Brass	OLDCN4-US3.**	1-3/4"

Locks in all eight positions with 2 reversible cams

** Insert KD for Keyed Differently or Key Number for Keyed Alike (101, 103, 107, 915) or KDMK for Keyed Different, Master Keyed.

Included Accessories

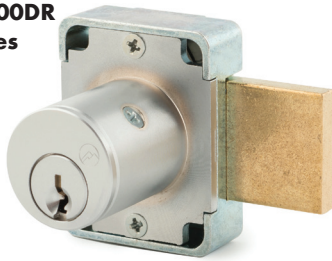


DEADBOLT DOOR AND DRAWER LOCKS

100DR and 200DW Series Deadbolt Door and Drawer Locks



OL100DR Series



Specifications

- Keying:** Can be keyed together with other N Series locks
- Rekeyable:** Easily rekeyable via set screw cylinder release mechanism
- ANSI/BHMA:** Passed ANSI/BHMA A156.11 Grade 1 performance requirements. Equivalent to E07121(100DR) / E07041(200DW)
- Standard function:** Key removable in locked or unlocked position (removable in locked position only, available via direct ship). Standard function locks are non-handed.
- Body:** Zinc die cast; **Cylinder:** Solid brass, pin tumbler
- Cylinder length:** 15/16", 1-3/8" or 1-5/8"; Barrel diameter: 7/8"

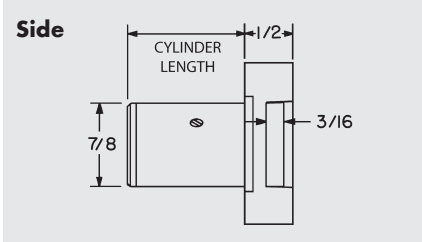
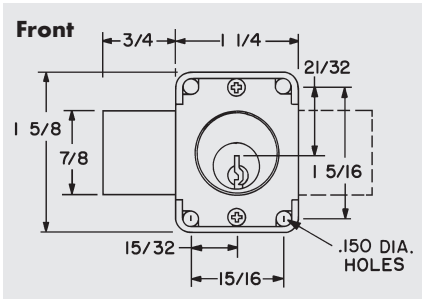
Keying Information

- Keyway:** N Series (equivalent to National D4291 4-pin or D4292 5-pin system)
- Keys:** Includes 2 keys per lock
- Stock keying:** KD/KA - 4 pin standard
- Stock KA#:** 101, 103, 107, 915
- Masterkeyed:** 5 pin standard; **Grand masterkeyed:** Available

Included Accessories

- 100DR:** 2 keys, 56-1 bar strike, and lock mounting screws
- 200DW:** 2 keys, 12-3 angle strike, and lock mounting screws

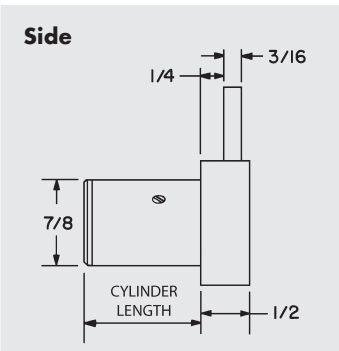
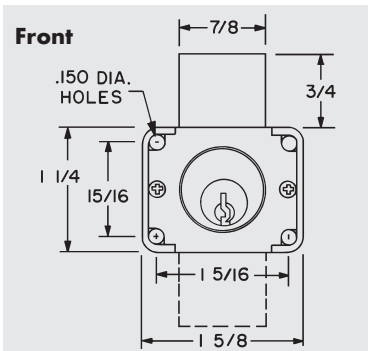
Custom Keying Available



OL200DW Series



Finish	Item #	Function	Cyl Length	Mtrl Thickness
Satin Chrome	OL100DR-26D78-**	Door	15/16"	7/8"
Satin Brass	OL100DR-US478-**	Door	15/16"	7/8"
Oil Rubbed Bronze	OL100DR-10B78-**	Door	15/16"	7/8"
Satin Chrome	OL100DR-26D138-**	Door	1-7/16"	1-3/8"
Satin Brass	OL100DR-US4138-**	Door	1-7/16"	1-3/8"
Oil Rubbed Bronze	OL100DR-10B138-**	Door	1-7/16"	1-3/8"
Satin Chrome	OL200DW-26D78-**	Drawer	15/16"	7/8"
Satin Brass	OL200DW-US478-**	Drawer	15/16"	7/8"
Oil Rubbed Bronze	OL200DW-10B78-**	Drawer	15/16"	7/8"
Satin Chrome	OL200DW-26D138-**	Drawer	1-7/16"	1-3/8"
Satin Brass	OL200DW-US4138-**	Drawer	1-7/16"	1-3/8"
Oil Rubbed Bronze	OL200DW-10B138-**	Drawer	1-7/16"	1-3/8"
Satin Chrome	OL200DW-26D158-**	Drawer	1-11/16"	1-5/8"
Oil Rubbed Bronze	OL200DW-10B158-**	Drawer	1-11/16"	1-5/8"



** Insert KD for Keyed Differently or Key Number for Keyed Alike (101, 103, 107, 915) or KDMK for Keyed Different, Master Keyed.

"M" series MRI locks available via direct ship.

A
B
C
D
E
F
G
H
I
J
K
L
M
N
O
P
Q
R
S
T
U
V
W
X
Y

A CAM LOCK BODIES

B 720 Series Cam Lock (core not included)



For BEST style interchangeable core cylinders



Specifications

Retrofits: Best 1E7E4

ANSI/BHMA: Passed ANSI/BHMA A156.11 Grade 1 performance requirements. Equivalent to E07261/E07271.

Cylinder diameter: 1-1/8"

Across flats: 7/8"

Max. material thickness: 1-1/8"

Min. material thickness: 0.08"

Functions: Includes parts for key-retaining or non-key-retaining function

Body: Zinc die cast

Finish: 26D, 26 or 3 (via direct ship)

Keying Information

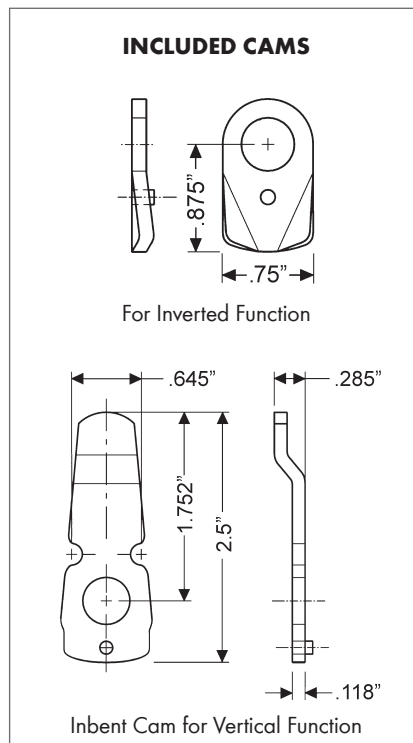
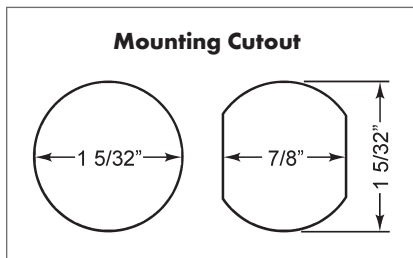
Cores: Not included.

Accepts: Best, Arrow, Falcon, KSP, Schlage SFIC or equivalent small format interchangeable cores

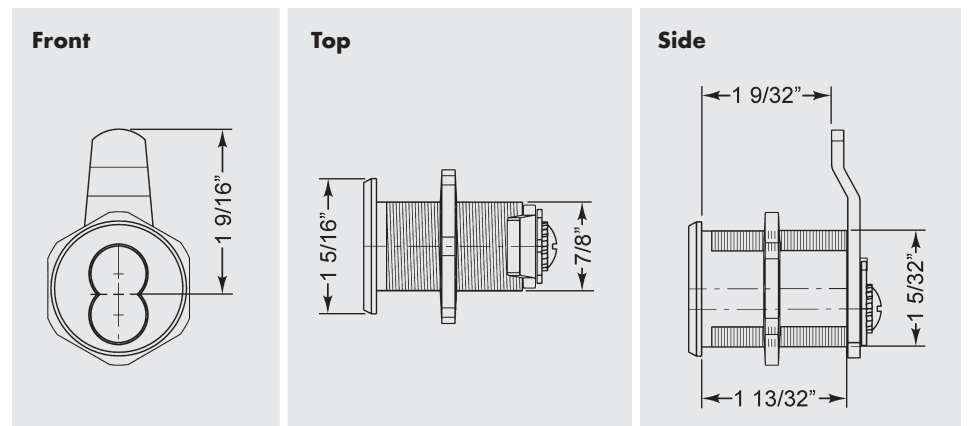
Compatible electronic cylinders: Medeco Nexgen XT or VIDEX CyberLock SFIC cylinders

Includes

725-PA plastic thumbturn, 720-PL3 stabilizer plate, 725-1 spacer to fit 6 or 7 pin cores, 720-3-1 short inverted cam, 720-3-2 long vertical cam, 720-CDLM lost motion cam shifter, 720-CDDM key retaining door cam shifter, 720-KR key retaining drawer cam shifter.



Finish	Item #	Cyl Dia.	Max Thickness
Satin Chrome	OL720LM/DM-US26	1-1/8"	Up to 1-1/8"
Satin Chrome	OL720LM/DM-26D	1-1/8"	Up to 1-1/8"



DEADBOLT DOOR AND DRAWER LOCK BODIES

721 Series Deadbolt Door and Drawer Locks (core not included)



OL721DR Series



Specifications

Retrofits: Best 3L

Reversible: Field reversible between door and drawer functions

ANSI/BHMA: Passed ANSI/BHMA A156.11 Grade 1 performance requirements. Equivalent to E07121 (721DR) / E07041 (721DW)

Woodwork Institute: (WI) acknowledged product

Standard function: Key removable in locked and unlocked position (removable in locked position only, available via direct ship)

Barrel diameter: 1-1/8"; Cylinder length: 1-1/4" or 1-3/8"

Body: Zinc die cast

Finishes: 26D, 10B (3 and US26 available via direct ship)

Keying Information

Cores: Not included

Accepts: Best, Arrow, Falcon, KSP, Schlage SFIC or equivalent small format interchangeable cores

Compatible electronic cylinders: Medeco Nexgen XT or VIDEX CyberLock SFIC cylinders

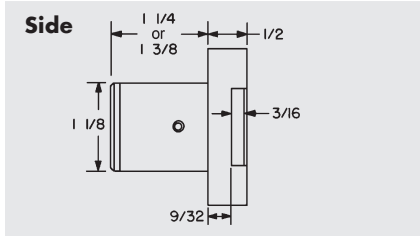
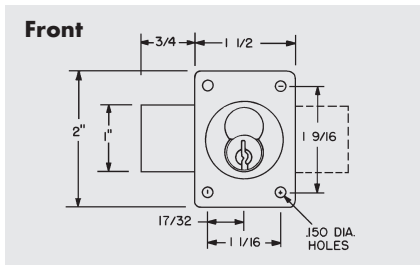
Included Accessories

For 1-1/4" barrel length locks:

725-1 spacer to fit 6 or 7 pin cores; 725-PA plastic thumbturn; 10-350 (qty 3) plastic spacers; 10-054 1/4" plastic bar strike; 10-057 .65" plastic bar strike

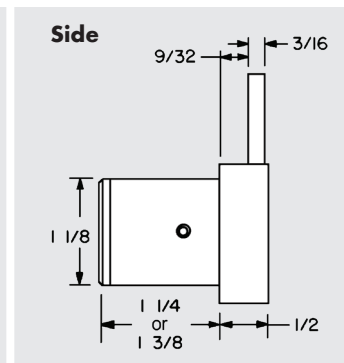
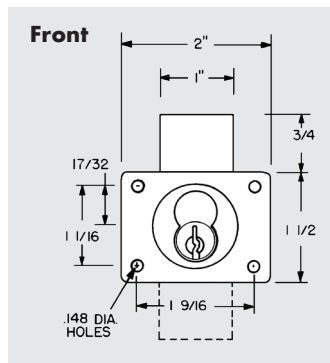
For 1-3/8" barrel length locks:

725-1 spacer to fit 6 or 7 pin cores; 725-PA plastic thumbturn; 10-054 1/4" plastic bar strike.



Finish	Item #	Function	Cyl Length	Description
Satin Chrome	OL721DR-26D	Door	1-1/4"	Lock body ONLY - For small format IC
Oil Rubbed Bronze	OL721DR-10B	Door	1-1/4"	Lock body ONLY - For small format IC
Satin Chrome	OL721DR-138-26D	Door	1-3/8"	Lock body ONLY - For small format IC
Satin Chrome	OL721DW-26D	Drawer	1-1/4"	Lock body ONLY - For small format IC
Oil Rubbed Bronze	OL721DW-10B	Drawer	1-1/4"	Lock body ONLY - For small format IC
Satin Chrome	OL721DW-138-26D	Drawer	1-3/8"	Lock body ONLY - For small format IC

OL721DW Series



A
B
C
D
E
F
G
H
I
J
K
L
M
N
O
P
Q
R
S
T
U
V
W
X
Y

A SFIC CYLINDERS

206 Series SFIC Cylinders



For BEST style interchangeable core cylinders



Specifications

206 Series: 6 pin core; **207 Series:** 7 pin core

Cores: Equivalent to Best, Arrow, Falcon or similar small format interchangeable cores

Standard finish: 26D

Keying Information

Uncombined: Core only (does not include pins, springs or keys)

Keyed cores: Specify KA, KD or MK (direct ship). Keyed cores include 2 change keys per core.

2 additional cut keys (master keys and/or control keys) are shipped with each project. Additional keys are available separately.

Stamping/Engraving: Custom stamping or engraving for cores and keys is available for an additional charge.

Custom Keying Available

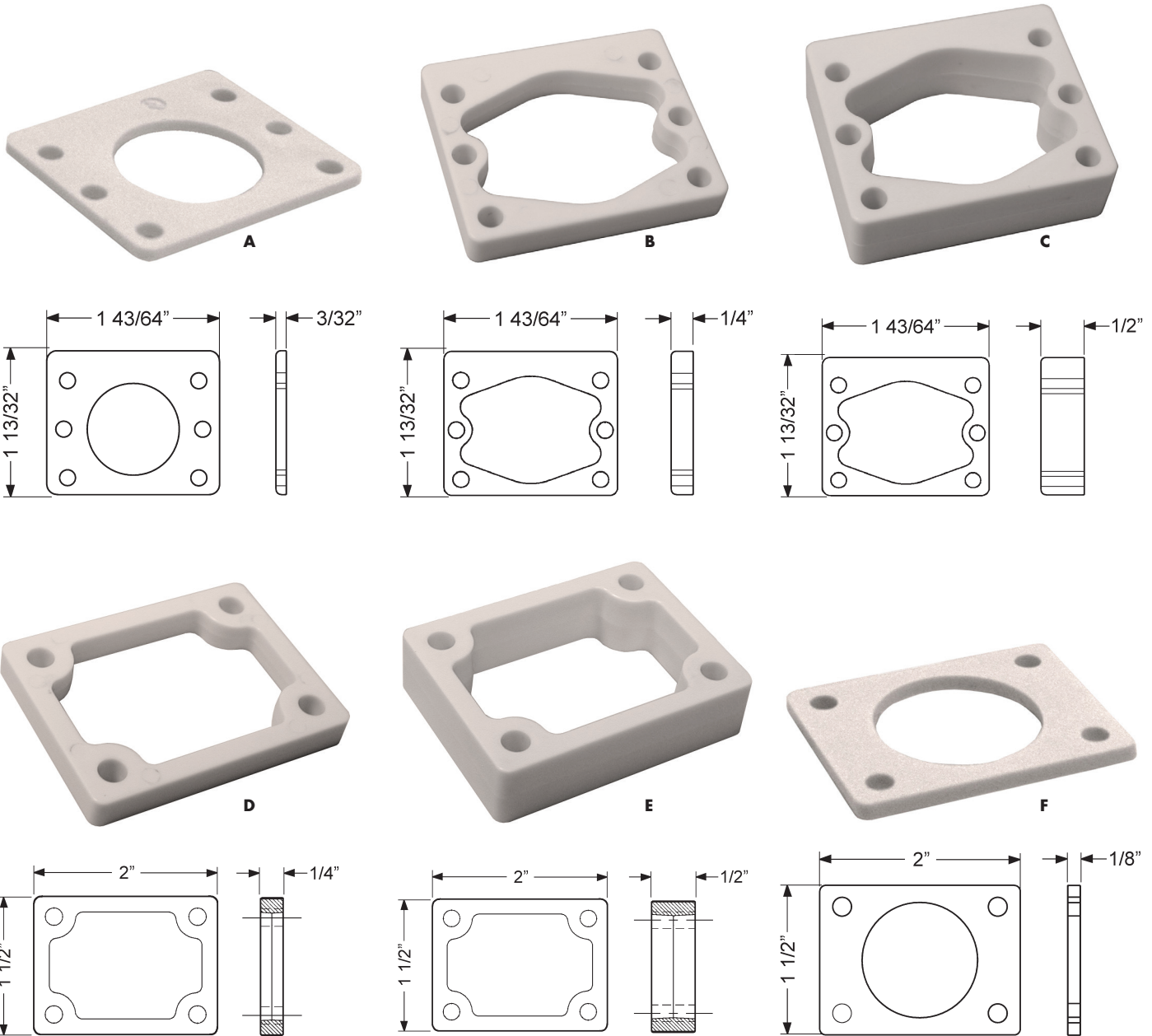
Finish	Item #	Description
Satin Chrome	OL206-*-26D	6 pin core, KA, KD or MK (Direct Ship)
Satin Chrome	OL207-*-26D	7 pin core, KA, KD or MK (Direct Ship)

* = Insert KD for Keyed Different or Key way number for Keyed Alike (see below chart)

A	B	C	D	E	F	G	H	
J	K	L	M	Q	1C	1D	KMT300	

SPACERS

Spacers, 7/8" and 1-1/8" Diameter Locks



	Item #	Thickness	Lock Diameter	For Use With
A	OLWP21	3/32"	7/8"	100, 200, 500, 600, L20V, N078, R078
B	OLWP22	1/4"	7/8"	100, 200, 500, 600, L20V, N078, R078
C	OLWP23	1/2"	7/8"	100, 200, 500, 600, L20V, N078, R078
D	OL10-348	1/4"	1-1/8"	700, 721, 754, 777, 800, 850, 854, 888, 931, 950, L92, L72
E	OL10-349	1/2"	1-1/8"	700, 721, 754, 777, 800, 850, 854, 888, 931, 950, L92, L72
F	OL10-350	1/8"	1-1/8"	700, 721, 754, 777, 800, 850, 854, 888, 931, 950, L92, L72

A
B
C
D
E
F
G
H
I
J
K
L
M
N
O
P
Q
R
S
T
U
V
W
X
Y

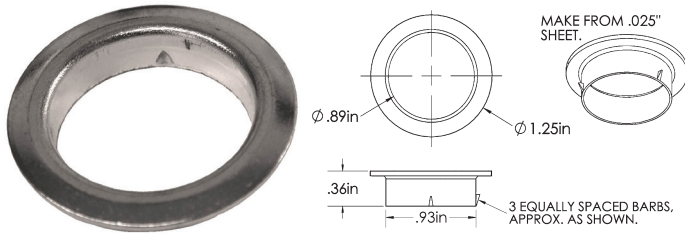
A LOCK ACCESSORIES

B Trim Rings, 7/8" and 1-1/8" Diameter Locks

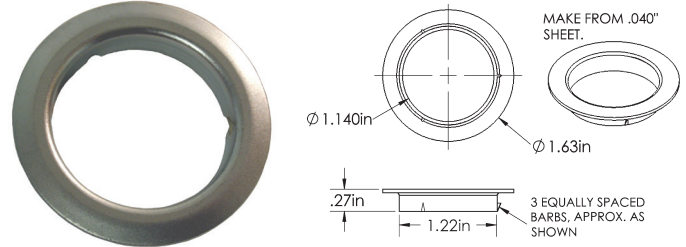
Trim rings cover chips or gouges in the laminate or wood hole that can be seen from the outside of the cabinet. They are used primarily to enhance the appearance of the overall lock installation.



OLTR1256 Series

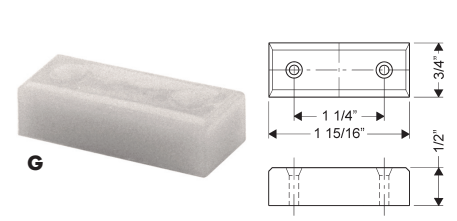
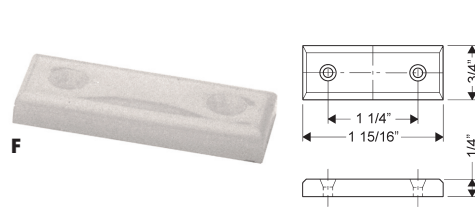
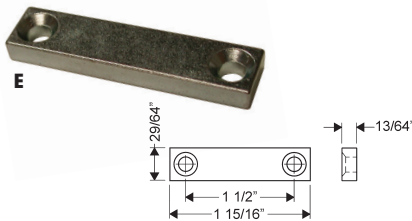
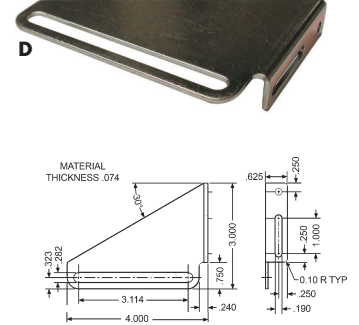
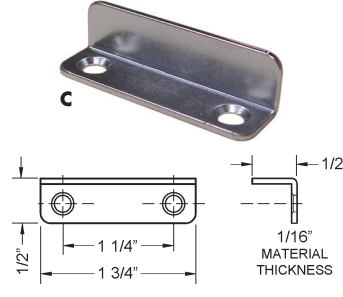
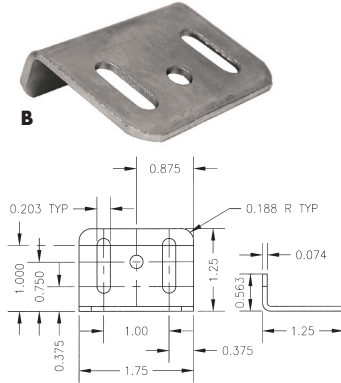
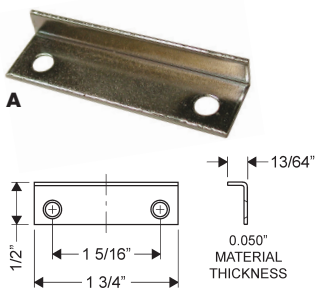


OLTR78 Series



Item #	Finish	Lock Dia	For Use With
OLTR1256-US3	Bright Brass	7/8"	100, 200, N078, 999, 998, 500, 600, R078, 997, 996, L20V
OLTR1256-10B	Oil Rubbed Bronze	7/8"	100, 200, N078, 999, 998, 500, 600, R078, 997, 996, L20V
OLTR1256-26D	Satin Chrome	7/8"	100, 200, N078, 999, 998, 500, 600, R078, 997, 996, L20V
OLTR78-US3	Bright Brass	1-1/8"	700, 800, 850, 950, 721, 725, 754, 854, 777, 888, 931, L72, L78, L92
OLTR78-10B	Oil Rubbed Bronze	1-1/8"	700, 800, 850, 950, 721, 725, 754, 854, 777, 888, 931, L72, L78, L92
OLTR78-26D	Satin Chrome	1-1/8"	700, 800, 850, 950, 721, 725, 754, 854, 777, 888, 931, L72, L78, L92

Strikes



Item #	Style	Finish	
A	OL12-1-26D	Angle Strike	Satin Chrome
B	OL12-2-26D	Angle Strike, Heavy Duty	Satin Chrome
C	OL12-3-26D	Angle Strike, Medium	Satin Chrome
D	OL12-4-ZP	Frameless Drawer Strike	Zinc Plated

Item #	Style	Finish	
E	OL56-1-26D	Bar Strike	Satin Chrome
F	OL10-054	Bar Strike, 1/4"	White Plastic
G	OL10-055	Bar Strike, 1/2"	White Plastic

LOCK ACCESSORIES

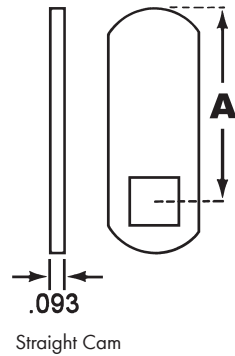
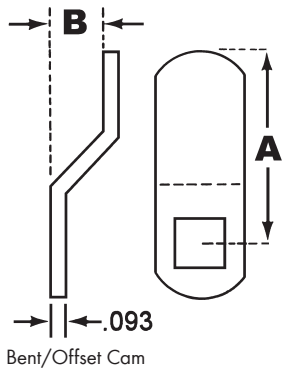
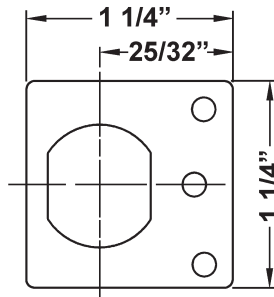


Anti-Rotation Plate

- For use with DCN and DCP Series Locks



Item #
OLDCNP-500-ARP



Offset and Straight Cams

- For use with DCP Series Locks

Item #	Type	Dim A	Dim B
OLDCP-114-18	Bent/Offset	1-1/4"	1/8"
OLDCP-LBC	Bent/Offset	1-1/4"	1/4"
OLDCP-LC-112	Straight	1-1/2"	-



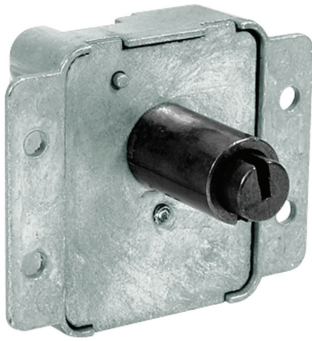
N Series Keys

- Cut keys for N Series keyways

Item #	Description
OLKB-101-NP	Cut key for KA101 locks
OLKB-103-NP	Cut key for KA103 locks
OLKB-107-NP	Cut key for KA107 locks
OLKB-915-NP	Cut key for KA915 locks
OLKB-GM2MK-NP	Cut master key for GM2 (5-pin) master key system*

A
B
C
D
E
F
G
H
I
J
K
L
M
N
O
P
Q
R
S
T
U
V
W
X
Y

A SPECIALTY LOCKS



Chest/Lid Locks, Surface Mounted



- Lid locks for cedar chest application and other lid locking requirements
 - Surface mounted and requires a 9/16" diameter hole for cylinder
 - Key removable in both locked and unlocked positions, all keyed alike
 - Safety feature requiring operation of pushbutton to lock or latch lid closed
- Includes: Lock, one key, strike, and mounting screws

Item #	Bolt Type	Cylinder Length	Finish
NC8414-4G	Internal, Engages Strike	7/8"	Antique Brass

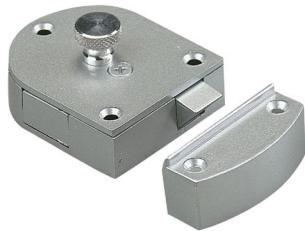


Drawer Locks



- Mounting flange: 1-1/2" x 2" wide with screw holes on 1-7/16" centers
 - Barrel OD: 7/8"
 - Bolt travel: 3/8"
 - Keyed: Alike
- Sold In: 1 Each

Item #	Description	Finish
KV986NP	Drawer Lock, mounts to material up to 7/8" thick	Nickel



Aluminum Door Latches



- For one way swinging gates
- Reversible for either right or left hand operation

Item #	Dimensions	Material	Finish	Box Qty
KV989-AL	2-3/8"W x 2"H	Aluminum	Aluminum	12



Magnetic Cabinet Door Locks



- A magnetic key placed on the outside of the cabinet door releases the catch; remove the magnetic key and the catch springs back
- The lock is not visible on the outside of the cabinet
- Maximum Door Thickness: 1 inch, requires 9/32 in. diameter plunger hole in door back
- **RVRAL-101-1:** Starter kit includes 5 locks with strike plates, templates, sets of screws, 2 keys, 1 drill stop and instructions in one carton. Sold as complete kits only.
- **RVRL201:** Lock is individually polybagged with a strike plate, screws and templates
- **RVRL202:** Magnetic key

Item #	Description	Box Qty
RVRAL-101-1	Starter Kit	1
RVRL201	Lock with Strike Plate	25
RVRL202	Magnetic Key	25

SPECIALTY LOCKS



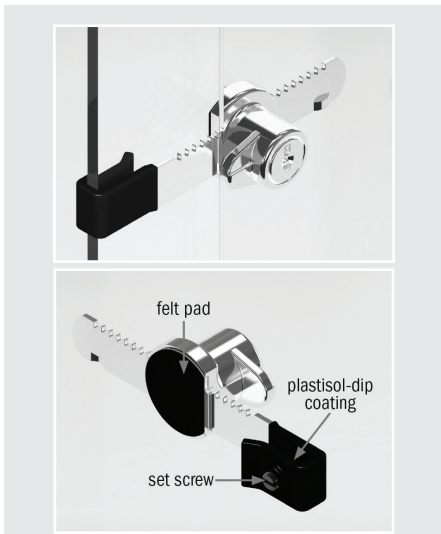
**By-Passing (Sliding) Door Lock
For Doors up to 1" Thick**



- All keyed alike
- Changes are available Special Order

Item #	Keying	Finish
KV984KA	Keyed Alike	Bright Nickel

A
B
C
D
E
F
G
H
I
J
K
L
M
N
O
P
Q
R
S
T
U
V
W
X
Y



Sliding Glass Door Lock



- For glass 1/4" and thinner
- Plastisol dip coating reduces glass rattling with a snug fit
- Set screw keeps the lock from "drooping" down when in the locked position
- Felt pad eliminates rattling between the glass door and the lock body

NOTE: Other key codes available.

Contact your Würth Louis and Company representative for more information.

Item #	Keying	Finish
CompX National Key Codes		
NC8040-C346A-14A	Key #346	Bright Nickel
NC8040-C415A-14A	Key #415	Bright Nickel
NC8040-MMKD-14A	Keyed Different, Masterkeyed	Bright Nickel
CompX Timberline Key Codes		
TMB1-330-101TA	Key # 101	Bright Nickel
TMB1-330-102TA	Key # 102	Bright Nickel
TMB1-330-103TA	Key # 103	Bright Nickel
TMB1-330-104TA	Key # 104	Bright Nickel
TMB1-330-105TA	Key # 105	Bright Nickel

Key your glass door locks to match your CompX National or Timberline disc tumbler door cabinet locks!



FRONT



REAR

Disc Tumbler Sliding Door Lock



- For wood sliding doors - requires a 7/8" diameter hole in front door
- Pushing in cylinder locks doors
- Key removable in both locked and unlocked positions
- Supplied with two keys, strike and mounting screws
- If trim ring is required, order NC2017 separately (see page D-10)

Item #	Bolt Type	Cylinder Length	Bolt Travel
NC8043-C415A-14A	Plunger	1"	7/16"

A RATCHET LOCKS / DOUBLE DOOR LATCH

B
C
D
E
F
G
H
I
J
K
L
M
N
O
P
Q
R
S
T
U
V
W
X
Y

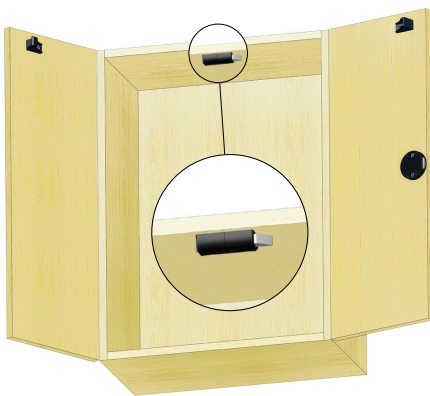


Sliding Door Locks

• Sold by the each



	Item #	Type	Keyed	Finish	Material Thickness	Material Use	Size
A	KV962-CH	Adjustable Ratchet Lock	Alike	Chrome	Up to 3/4"	Any	3/4" to 3-3/8"
B	KV963-CH	Adjustable Ratchet Lock	Alike	Chrome	1/4"	Glass	3/4" to 3-3/8"
C	KV965-NK	Ratchet Lock	Alike	Polished Nickel	1/4"	Glass	1" to 3-3/8"



Double Door Latch



- Eliminates the need for an elbow catch or other devices - allows hardware to be installed out of the way
- No need to reach inside cabinet to release elbow catch
- Doors can be closed in any order
- Low profile latch mechanism reduces product footprint inside cabinet
- Requires use of a single lock (sold separately)
- Allows 2 or 3 point locking for standard or wardrobe style double door cabinets used with a lock
- Exceeds pull force above 150lbs

Example is TMBL200 with lock (sold separately) on right hand door:

How To Order:

1. Determine location of lock – right hand or left hand
2. Decide where latch is needed – top or bottom mount
3. Choose color – black or white

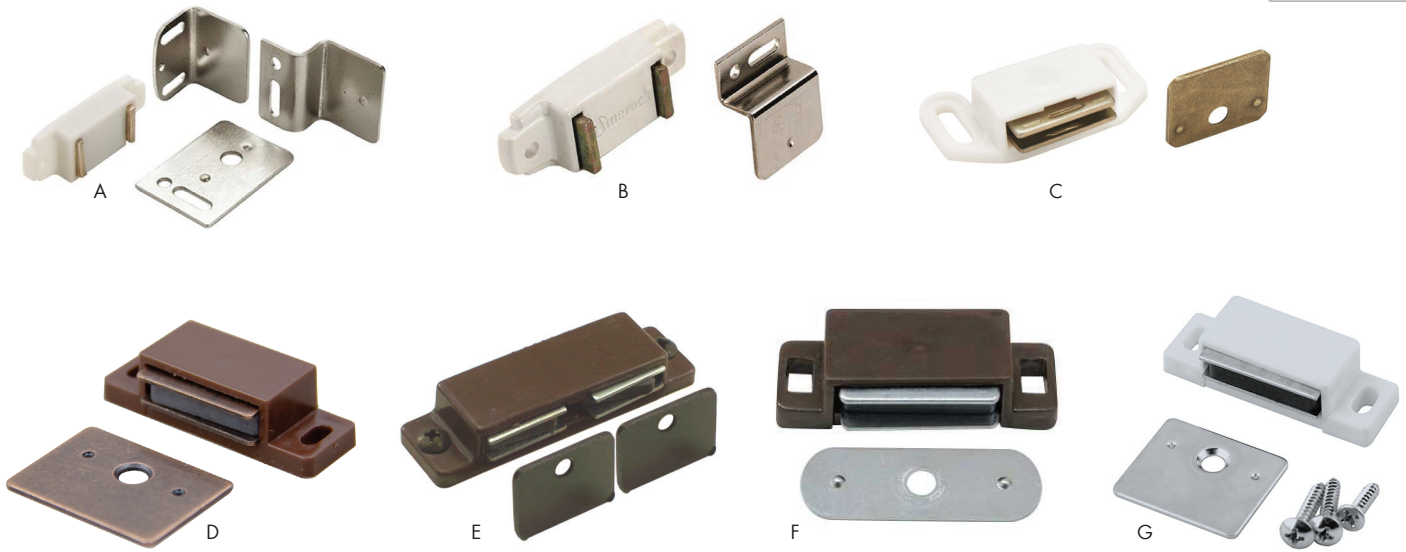
Lock Placement	Top Mount Kit Black Item #	Top Mount Kit White Item #
Lock on Right Door	TMBDL-200	TMBDL-200-W
Lock on Left Door	TMBDL-300	TMBDL-300-W

Lock Placement	Bottom Mount Kit Black Item #	Bottom Mount Kit White Item #
Lock on Right Door	TMBDL-300	TMBDL-300-W
Lock on Left Door	TMBDL-200	TMBDL-200-W

MAGNETIC CATCHES & STRIKE PLATES

Plastic Casing Magnets and Strike Plates

- All necessary screws included
- Magnets listed in order of pull force



	Pull Force (lbs.)	Magnet Design	Features	Magnet Housing/ Strike Plate Size	Case/Strike Finish	Item #	Sold In
A	5 lb	Double Pole	Includes three strike types: Flat for inset, L-shaped for overlay and Z-shaped for full inset doors	1-15/16"H x 3/4"D x 11/16"L/ (Flat) 1-1/8" H x 3/4" L (L-shaped) 1-1/8"H x 7/8"D x 3/4"L (Z-shaped) 1-1/8"H x 1/2"D x 1-1/2"L	Tan/Zinc	AM9765-TN	1
					White/Zinc	AM97653-W	1
B	5 lb	Double Pole	Z-shaped strike for full inset door applications	11/16"H x 3/4"D x 15/16"L/ 1-1/8"H x 1/2"D x 1-1/2"L	Tan/Zinc	AMCM9765-FPT	1
C	7.5 lb	Double Pole	-	1/2"H x 1-1/8"D x 2"L/ 3/4"H x 1-1/8"L	Tan	AM3473-PT	1
					White	AM3473-W	1
					Burnished Brass	AM9773-TN	1
D	9 lb	Double Pole	-	1/2"H x 7/8"D x 1-3/4"L/ 1/2"H x 1-3/8"L	Brown/Copper	JIC509.BN/AC	1
E	10 lb	Dual Dble Pole	-	17/32" H x 13/16"D x 2-7/8"L/ (2) 1-3/18"H x 7/8"L	White/ Zinc	EP1015WH	1
					Brown/Copper	EP1015BRP	1
F	5-11	Double Pole	-	15/16"W x 1/2"D	Brown / Zinc	FE298	1
G	8.81 lb	Double Pole	Includes strike and screws	1/2"H x 1-1/2"L	Brown	FUT50601-BRN	1
					White	FUT50601-WH	1

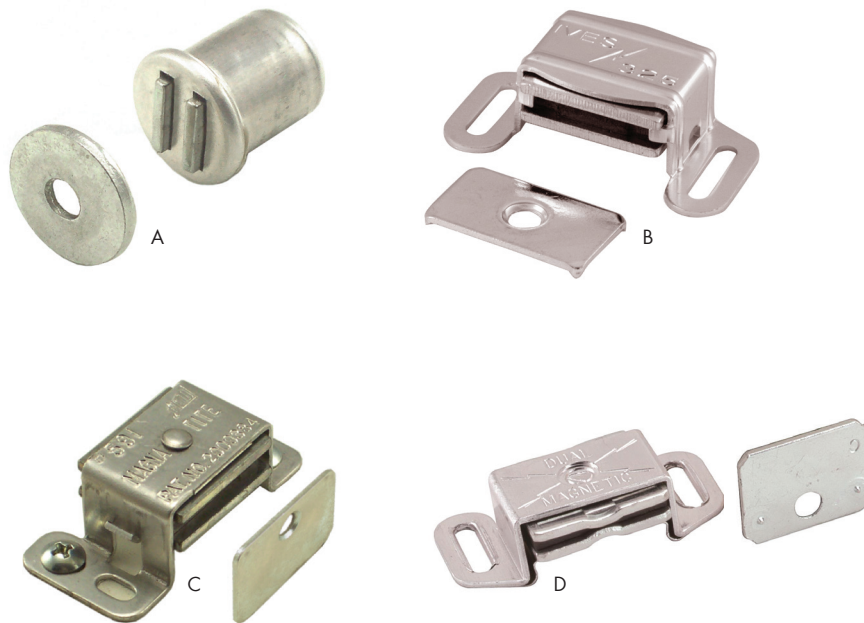
A
B
C
D
E
F
G
H
I
J
K
L
M
N
O
P
Q
R
S
T
U
V
W
X
Y

A MAGNETIC CATCHES & STRIKE PLATES

Aluminum Casing Magnets and Strike Plates
Standard Duty, Light Pull Force



- Light pull force (4 to 7.5 lbs.) magnetic catches
- All necessary screws included
- Magnets listed in order of pull force

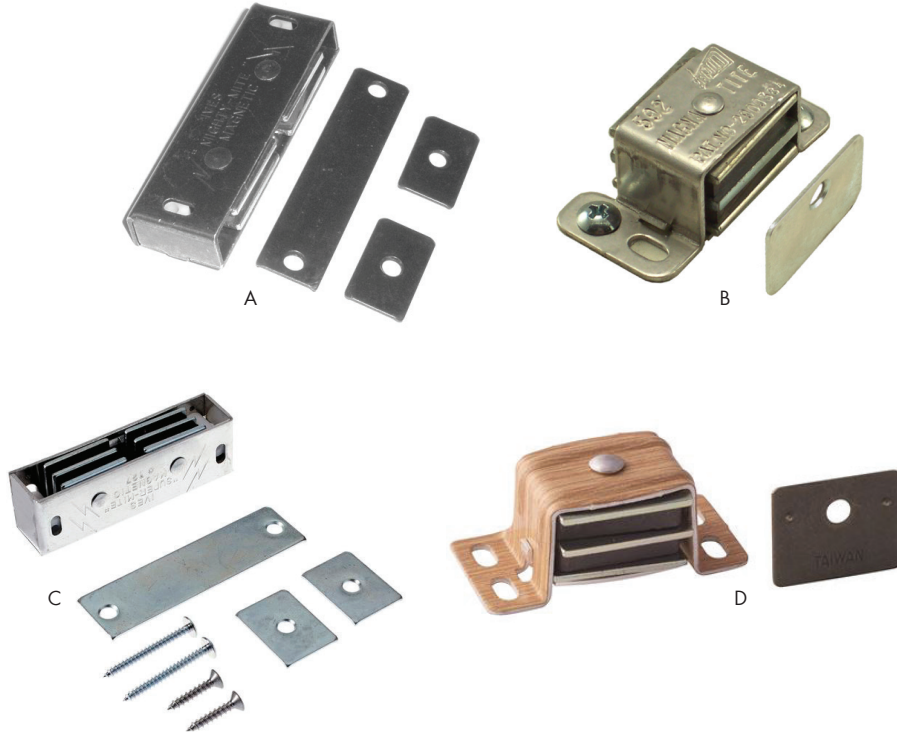


	Pull Force (lbs.)	Magnet Design	Features	Magnet Housing/ Strike Plate Size	Casing/ Strike Finish	Item #	Sold In
A	4 lbs.	Double Pole	Drive in magnet casing	5/8" Dia. x 3/4" Deep/3/4" Dia.	Aluminum/ Aluminum	EP600	1
B	5 lbs.	Double Pole	3 finishes	2-1/16"H x 1-1/8" D x 5/8"L / 5/8"H x 1-1/8"L	Alum./Alum.	IV325A-92	1
C	6.5 lbs.	Double Pole	Magnets rotate within casing to maintain maximum contact to strike	47/64"H x 3/4"D x 2-1/16" L / 13/16"H x 1-1/8"L	Aluminum/Zinc	EP591P	1
						EP591	250
D	7.5 lbs.	Double Pole	Magnets rotate within casing to maintain maximum contact to strike	1/2"H x 1"D x 2-3/16"L / 3/4"H x 1-1/8" L	Aluminum/ Aluminum	AM9783-AL	1

MAGNETIC CATCHES & STRIKE PLATES

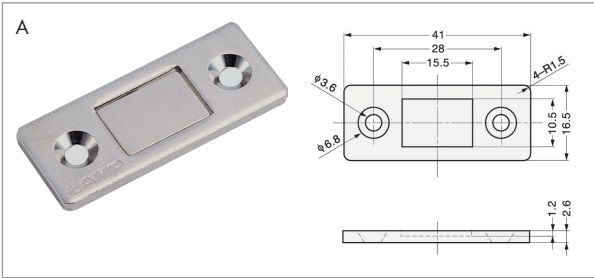
Aluminum Casing Magnets and Strike Plates
Heavy Duty, Strong Pull Force

- Heavy pull force (9 lb to 16 lb)
- All necessary screws included
- Magnets listed in order of pull force



	Pull Force (lb)	Magnet Design	Features	Magnet Housing/ Strike Plate Size	Casing / Strike Finish	Item #	Sold In
A	9 lb	Dual Dble Pole	<ul style="list-style-type: none"> • Magnets rotate within casing to maintain maximum contact to strike 	1-1/8"H x 2-1/16"D x 5/8"L/ Strike: (1) 11/16"H x 3-1/8" L Strike: (2) 5/8" H x 1-1/8" L	Aluminum/ Aluminum	IV326A-92	1
B	13 lb	Triple Pole	<ul style="list-style-type: none"> • Magnets rotate within casing to maintain maximum contact to strike 	47/64" H x 1" D x 2-1/16" L/ 3/4"H x 1-1/8" L	Aluminum / Zinc	EP592P EP592B	1 250
C	14 lb	Dual Trple Pole	<ul style="list-style-type: none"> • Magnets rotate within casing to maintain maximum contact to strikes 	3/4" H x 1"D x 3-1/8" L/ Strike: (1) 7/8" H x 3-1/8" L Strike: (2) 13/16"H x 1-1/8" L	Aluminum / Zinc	IV327A-92	1
D	16 lb	Triple Pole	<ul style="list-style-type: none"> • Magnets rotate within casing to maintain maximum contact to strikes • Aluminum casing is a simulated wood grain 	13/16"H x 1-1/16"D x -1/32"L/ 3/4"H x 1"L	Woodgrain / Burnished Brass	AM9798-AW	1

A SPECIALTY MAGNETIC CATCHES

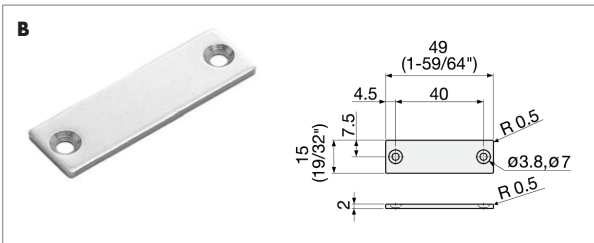


**Ultra Thin Magnet & Catch
Pull Force 8.8 lbs.**



- Ultra thin magnet design is only 2.6mm thick
- Strike plate (sold separately) made of 316 stainless steel, 0.5mm thick
- Strike and screws sold separately

	Item #	Description	Finish
A	SGMC-159	Base	Nickel
B	SGMC-159-PLATE	Strike Plate	Nickel



Ultra Thin Magnetic Catch



- Unique ultra thin magnetic catch design ideal for tight spaces
- Counterplate included

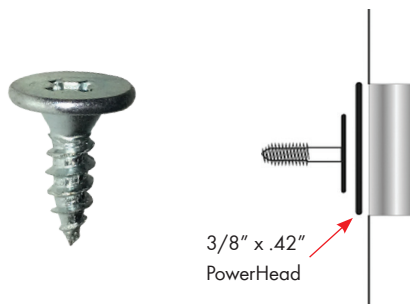
Item #	C/C	Dimensions	Magnetic Force
SGYN-001P	1"	1-3/8"W x 1/2"H x 3/32"Thick	5.9 lbs.



Magnetic Catch, PowerMags



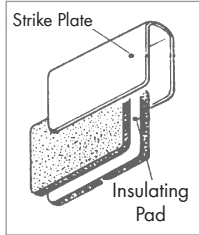
- High performance neodymium magnets inserts into a hole in cabinet frame
- Cabinet frame hole can be covered over using covercaps
- 3/8" L x .42" Dia. PowerHead screw is inserted into door to act as magnetic catch (sold separately)
- All sold in full packs as noted below



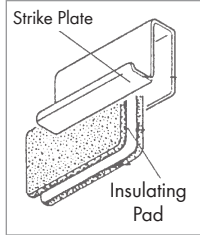
Item #	Magnet Size	Power	Description/Packing
FCPOWERMAG	9/16" x 3/16"	6 lb.	10 each Magnets
FCPOWERMAG18MM	9/16" x 3/16"	11 lb.	10 each Magnets
FCPOWERMAG3/4	3/4" x 3/8"	19 lb.	2 each Magnets
FCPHKMT.42-200PC	200 each PowerHead Screws		

STRIKE PLATES

Flush Style



Pull Style



Glass Door Strike Plates

- Designed for 1/4" thick glass doors
- No bore strike plates clamp to glass firmly with use of insulating pads (pads included)
- For use with magnetic push/touch latches



Item #	Finish	Dimensions
Flush Style		
WDT2942BLK	Black	29/32"H x 1-9/16"W x 5/16"D
WDT2942C	Bright Nickel	
Pull Style		
WDT7015	Black	15/15"H x 1-9/16"W x 7/16" Proj.
WDT7016	Bright Nickel	



Strike Plates

- Galvanized steel strike plates for use with magnetic push/touch latches
- Zinc finish
- Recommended screw is WUMS5X12PFZH (QUICK CODE L40205), (screws not included)



Item #	Type	Dimensions
WDT7080	Round	15mm Diameter, 1.5mm thick
WDT7082	Oval	35mm length x 12mm width, 1.5mm thick



Non-Magnetic Push/Touch Latch Metal Housing

- For use on wood cabinets
- Opens cabinet doors automatically with a gentle touch of finger, arm or elbow
- Individually polypagged with screws and includes latch and catch



Item #	Finish
SYMTCHLCHJZ	Zinc Plated

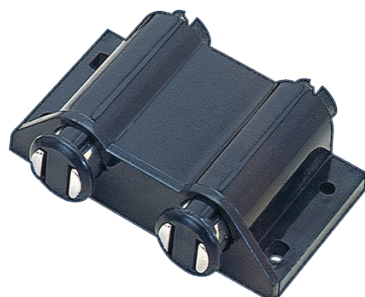
A MAGNETIC PUSH/TOUCH LATCHES

B
C
D
E
F
G
H
I
J
K
L
M
N
O
P
Q
R
S
T
U
V
W
X
Y



Magnetic Push/Touch Latches

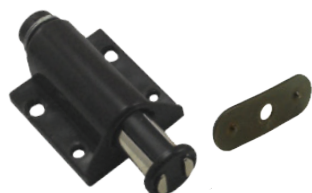
- Polybagged with strike plate and screws



Item #	Color	Type	Pull Force	C/C	Latch Dimensions
FUT50703-BK	Black	Single	6.61 lbs	7/8"	1-5/8"W x 1-1/8"D
FUT50703-WH	White	Single	6.61 lbs	7/8"	1-5/8"W x 1-1/8"D
FUT50723-BK	Black	Double	13.23 lbs	2"	2-1/4"W x 1-7/8"D
FUT50723-WH	White	Double	13.23 lbs	2"	2-1/4"W x 1-7/8"D

Magnetic Push/Touch Latches

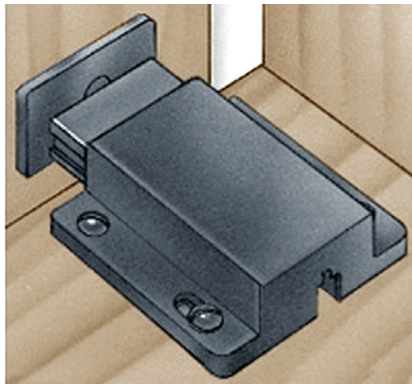
- Polybagged with strike plate and screws



Item #	Color	Throw Length	Type	Latch Dimensions
EP507BK	Black	7/16"	Single	1-11/32"L x 1-3/32"W x 5/8"H
EP507WH	White	7/16"	Single	1-11/32"L x 1-3/32"W x 5/8"H
EP508BK	Black	7/16"	Double	1-11/32"L x 2-5/16"W x 11/16"H



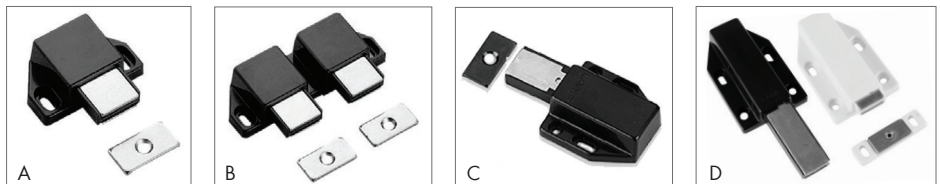
MAGNETIC PUSH/TOUCH LATCHES



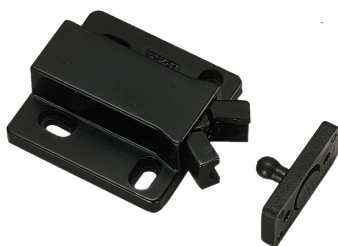
Magnetic Touch Latches
Short, Medium & Long Throw Lengths



- Spring-loaded mechanism pushes door open, when pushed in
- Latches have short, medium and long throw distances
- Strike plates included with all latches
- Single (one door) and double (two door) types available
- Plastic housing available in brown, black and white colors
- Magnetic pull force: A) 2.6 lbs., B) 2.6 lbs., C) 3.5 lbs., D) 5.2 lbs.
- Mounting screws not included



	Item #	Color	Throw Length	Type	Latch Dimensions	Strike Dimensions
A	SGML-30S/WHT	White	.33" Short	Single	1.2"L x 1.69"W x .63"H	.91"L x .47"W x .055" Thick
	SGML-30S/BRN	Brown	.33" Short	Single	1.2"L x 1.69"W x .63"H	.91"L x .47"W x .055" Thick
B	SGML-30W/BRN	Brown	.33" Short	Double	1.2"L x 1.69"W x .63"H	.91"L x .47"W x .055" Thick
	SGML-30W/WHT	White	.33" Short	Double	1.2"L x 1.69"W x .63"H	.91"L x .47"W x .055" Thick
C	SGML80-BN	Brown	.59" Medium	Single	1.72"L x 1.69"W x .59"H	.91"L x .47"W x .055" Thick
	SGML80-BK	Black	.59" Medium	Single	1.72"L x 1.69"W x .59"H	.91"L x .47"W x .055" Thick
	SGML80-WH	White	.59" Medium	Single	1.72"L x 1.69"W x .59"H	.91"L x .47"W x .055" Thick
D	SGML-120/BRN	Brown	1.57" Long	Single	2.97"L x 1.81"W x .67"H	1.34"L x 1.47"W x .20"Thick
	SGML-120/WHT	White	1.57" Long	Single	2.97"L x 1.81"W x .67"H	1.34"L x 1.47"W x .20"Thick

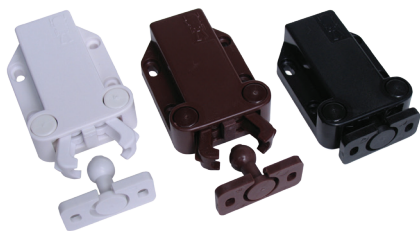


Standard Retaining Force

- Made of ABS black plastic, retaining force of 6.6 lbs.
 - Touch latch allows door to pop out when door is pushed in
 - Allow 3mm (1/8") space for push in release
- NOTE: Screws, latch and catch included.



Item #	Color
SGMC-28/BLK	Black



Strong Retaining Force

- Constructed of ABS plastic, retaining force of 17.6 lbs.
 - Floating strike for easy alignment
 - Allow 3mm (1/8") space for push in release
- NOTE: Screws, latch and catch included.



Item #	Color
SGMC37-BK	Black
SGMC-37/BRN-1	Brown
SGMC-37/WHT-1	White

A
B
C
D
E
F
G
H
I
J
K
L
M
N
O
P
Q
R
S
T
U
V
W
X
Y

NON-MAGNETIC TOUCH LATCHES & TENSION CATCHES



Non-Magnetic Push/Touch Latches



- Can be used on overlay, flush, and inset doors
- Mounts either horizontally or vertically
- Individually polypagged with screws. Latch and strike sold together

Item #	Strike Finish	Latch Finish
EP505BP	Brown Plastic	Brass Plated
EP505NP	White Plastic	Nickel Plated



Tension Ball Catches



- Retaining pressure adjustable (screw)
- Made of Brass
- Mounting screws not included
- Use 5 x 5/8" screw

Item #	Size	Description	Finish
FE511-1	1-1/4"	Brass Tension Ball Catch	Brass
FE511-2	2"	Brass Tension Ball Catch	Brass
FE511-3	2-3/4"	Brass Tension Ball Catch	Brass
FE511-4	2-3/8"	Brass Tension Ball Catch	Brass



Adjustable Tension Ball Catches

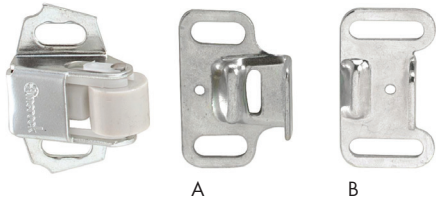


- Solid brass catch and strike
- Screw on top and bottom provide adjustable tension
- Strike may enter from side or front



Item #	Finish	Catch Dimensions	Strike Dimensions	Screws Included
AD5111-PB	Bright Brass	1-11/16" L x 5/16" W x 3/8" D	1" L x 5/16" W x 3/8" D	No
EP1012DB	Dull Brass	1-15/16" L x 23/64" W x 7/16" D	1-7/64" L x 5/16" W x 23/64" D	Yes
EP1012DC	Dull Chrome	1-15/16" L x 23/64" W x 7/16" D	1-7/64" L x 5/16" W x 23/64" D	Yes
FUT7351255084	Bright Brass	2-3/8" L x 7/16" W x 1/2" D	1-7/16" L x 7/16" W x 1/2" D	No
EP1017DB	Dull Brass	2-23/32" L x 1/2" W x 37/64" D	1-21/32" L x 7/16" W x 37/64" D	Yes
SYMKK240CC	Bright Nickel	2-3/4" L x 1/2" W x 5/8" D	1-5/8" L x 1/2" W x 5/8" D	No

ROLLER CATCHES



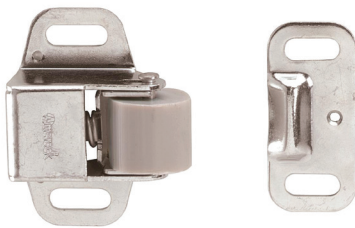
Small Metal Single Roller Catch



- Base Size: 1-1/4" L x 1-3/8" W x 5/8" H
- Strike Size: (A) For Inset Doors: 1-3/4" L x 1-1/4" W x 1/2" H
(B) For Overlay or Flush Doors: 1-3/4" L x 1-1/8" W x 1/2" H
- Screws and both strikes included

Item #	Finish
AM9823	Bright Zinc

A
B
C
D
E
F
G
H
I
J
K
L
M
N
O
P
Q
R
S
T
U
V
W
X
Y



Large Metal Single Roller Catch



- Base Size: 1-1/2" L x 2-1/8" W x 7/8" H
- Strike Size: 1/16" x 1-3/4"
- Screws included. Catch and strike sold together

Item #	Finish
AM9745-2G	Bright Zinc

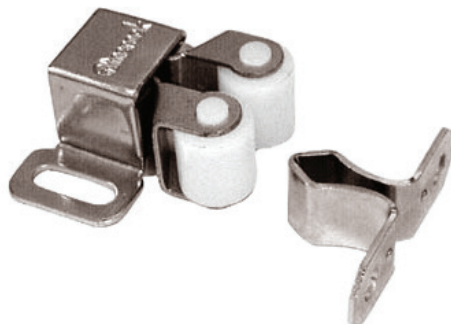


Plastic Double Roller Catches



- Polyacetal plastic catch and polyamide finish strike
- Durability proven by 3,000,000 cycle test
- Catch and strike sold together
- Mounting screws not included

Item #	Pull Force	Color
SG6900-WH	3.5 lbs.	White
SG6901-WH	7.0 lbs.	White



Metal Double Roller Catch



- Steel with spring-cushioned polyethylene rollers
- Screws and strike included
- Base Size: 1-17/64" L x 9/16" W x 9/16" H
- Strike Size: 1-1/4" L x 3/8" H
- Screws included. Catch and strike sold together

Item #	Finish
EP5041P	Zinc Plated Steel



Plastic Friction Catch, Non-Adjustable



- White polyacetal catch and polyamide finish strike
- Mounting screws not included. Catch and strike sold together

Item #	Pull Force
SGK-CATCH-WH	15.6 Lbs.

A **FRICITION CATCHES & BULLET CATCHES**

B
C
D
E
F
G
H
I
J
K
L
M
N
O
P
Q
R
S
T
U
V
W
X
Y



Metal Friction Catch

- Base Size: 1-5/16"L x 1-3/16"W x 1/2"H
- Strike Size: 1-1/4"L x 3/8"W x 5/8" H
- Screws included. Catch and strike sold together

Item #	Finish
AM34712-G	Zinc Plated Steel



Metal Double Roller Catch

- Overall Length: 1"
- Projection: 1/2"
- Width: 1-1/16"
- Screws included. Catch and strike sold together

Item #	Finish
AM3474-14	Nickel Plated Steel



Bullet Catch

- Furnished with strike and nail
- Made of Brass

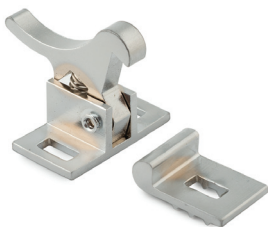
Item #	Bore Dia.	Bore Depth	Finish
FE300-2	3/8"	7/16"	Bright Brass



Bullet Catch

- Furnished with strike and nail
- Catch and strike sold together

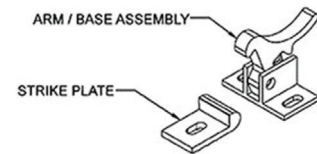
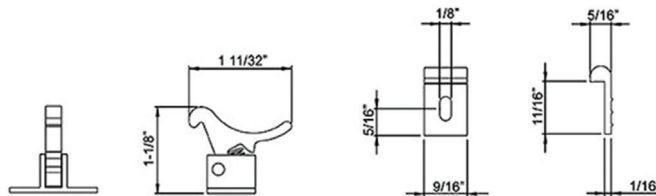
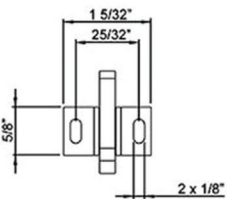
Item #	Bore Dia.	Bore Depth	Finish
SYM-12-3/8P	3/8"	7/16"	Bright Brass



Elbow Catch

- Used to secure one door to the cabinet in double door applications
- Allows for door to lock shut when pushed
- Requires releasing hook to open the door
- Meets ANSI/BHMA A156.9 B33023
- Woodwork Institute (WI) acknowledged product
- Can be used on left-hand or right-hand cabinet doors
- Catch and strike packaged individually with three screws

Item #	Finish
OLEC-2-26D	Satin Chrome



Elbow Catch

- Both catch and strike have slots to provide adjustment
- Strike plate has extra screw hole to prevent spinning on plastic laminate
- Made of Solid Brass
- Catch Size: 1-9/64"x 45/64"
- Strike Size: 7/8"length x 45/64" wide
- Individually polybagged with screws

Item #	Finish
EP1018N	Bright Chrome



ELBOW & BALL CATCHES



Elbow Catch



- Strike plate has extra screw hole to prevent spinning on plastic laminate
- Catch Size: 1-5/16" L x 1" W x 1" H
- Strike Size: 1" L x 7/16" W x 1/4" H
- Screws included. Catch and strike sold together

Item #	Finish
AM3675-2G	Bright Zinc

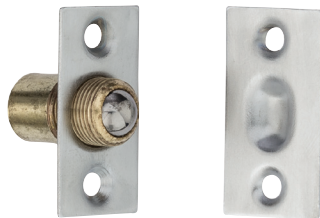


Elbow Catches



- Catch Size: 1-3/8" x 5/8"
- Strike Size: 13/16" x 5/8"
- Conforms to design requirements of ANSI/BHMA A156.9
- Catch and strike sold together

Item #	Finish
IV2AM	Natural Aluminum
IV2NK	Bright Nickel
IV2BR	Bright Brass

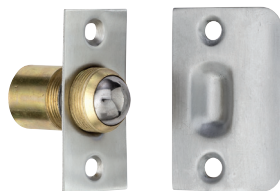


Ball Catches, Small Adjustable



- Adjustable threaded barrel compensates (up to 1/4") for various door clearances
- Adjustable spring tension
- Made from Wrought Brass
- Meets ANSI/BHMA A156.9 B23013
- Catch and strike sold together

Item #	Face Plate	Bore	Strike	Lip To Center	Finish
IV345B-26	3/4"W x 1-1/2"H	1"D x 9/16"Dia.	25/32"W x 1-1/2"H	13/32"	Bright Chrome
IV345B-10B	3/4"W x 1-1/2"H	1"D x 9/16"Dia.	25/32"W x 1-1/2"H	13/32"	Dark Satin Bronze
IV345B-5	3/4"W x 1-1/2"H	1"D x 9/16"Dia.	25/32"W x 1-1/2"H	13/32"	Antique Brass
IV345BR	3/4"W x 1-1/2"H	1"D x 9/16"Dia.	25/32"W x 1-1/2"H	13/32"	Bright Brass



Ball Catch, Large Dual Adjustment



- Catch is mounted in the door and the strike is mounted on the jamb
- Dual adjustment for door clearance and holding strength
- Adjustable threaded barrel compensates for various door clearances
- Adjustable spring tension
- Made from Wrought Brass, meets ANSI/BHMA A156.9 B23013
- Catch and strike sold together

Item #	Face Plate	Bore	Strike	Lip To Center	Finish
IV347B-26D	3/4"W x 1-1/2"H	1-3/8"D x 7/8"Dia.	1-3/8"W x 2-1/8"H	7/8"	Satin Chrome

A
B
C
D
E
F
G
H
I
J
K
L
M
N
O
P
Q
R
S
T
U
V
W
X
Y

A PUSH KNOB CABINET LOCK

B
C
D
E
F
G
H
I
J
K
L
M
N
O
P
Q
R
S
T
U
V
W
X
Y



Push Knob Cabinet Lock

- Pushing in the button activates and secures the latch so the door will not open until the button is pushed again
- Suitable for left or right side use, and inset as well as overlay mounting
- Used for door thickness from 19mm up to 30mm
- Holding force of up to 44 lbs.
- Supplied with stainless steel screws
- Latch body is made of Polyamide; Push button is Solid Brass; and the base is made from Zinc Alloy

NOTE: Latch body and push button and base sold separately.



Item #	Description	Finish
SGTLP-BB/CH	Push Button and Base	Chrome
SGTLP-LBM/WHT	Latch Body	White

