

SECTION E - TABLE OF CONTENTS

Section E Contents:

Epoxy Drawer Slides.....2-7
 PRO Full Extension & Soft-Close
 Drawer Slides 8-12
 KV Light-Duty Drawer Slides 13-14
 KV Medium-Duty Drawer Slides..... 15-22
 KV Heavy Duty Drawer Slides 23-30
 KV Keyboard & Specialty Slides.....31-33
 Sugatsune Stainless Steel
 Drawer Slides 34-35
 King Slide Soft-Close
 Drawer Slides35
 PRO Undermount Drawer Slides..... 36-39
 Blum Undermount Drawer Slides 40-67
 Grass Undermount Drawer Slides.....68-77
 Hettich Undermount Drawer Slides...78-86
 King Slide Undermount
 Drawer Slides87
 KV Undermount Drawer Slides.....88-90
 Salice Undermount Drawer Slides 91-95
 Brackets, Spacers, & Accessories..... 96-99
 File Drawer Frame Systems..... 100-103
 Drawer Front Mounting Brackets
 & Adjusters..... 104-105
 Drawer Pushers, Label Holders,
 & Index Followers..... 106
 KV Pocket Door Slides 107-110



- A
- B
- C
- D
- E**
- F
- G
- H
- I
- J
- K
- L
- M
- N
- O
- P
- Q
- R
- S
- T
- U
- V
- W
- X
- Y



NOTE: Some of the items in this section are not available in all markets. Please contact your Würth Louis and Company representative for more information.

A PRO 50 SERIES EPOXY DRAWER SLIDES

B PRO 50 Series 3/4 Extension Epoxy Self-Closing Drawer Slides



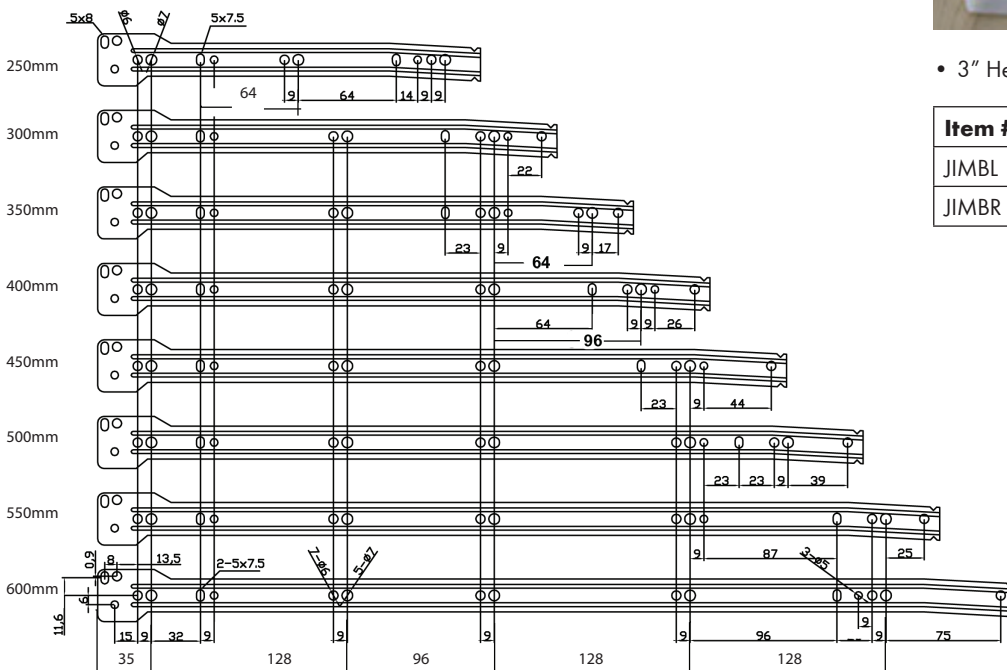
- Mounting: Bottom
- Weight Rating: 75 lb.
- Clearance: 1/2" + 1/32" - 0
- Material: Cold Rolled Steel
- Hole Pattern: 32mm
- Finish: Cream White
- Single captive design
- Double out stop with lift out disconnect
- Designed for face frame and frameless applications



White Epoxy Drawer Slides			White Epoxy Drawer Slides - Bulk Pack		
Size	Item #	Box Qty	Size	Item #	Box Qty
14"	J14000-14WH	25 Pair	12"	J14000-12WHB	100 Pair
16"	J14000-16WH	25 Pair	14"	J14000-14WHB	100 Pair
18"	J14000-18WH	25 Pair	16"	J14000-16WHB	100 Pair
20"	J14000-20WH	25 Pair	18"	J14000-18WHB	100 Pair
22"	J14000-22WH	25 Pair	20"	J14000-20WHB	100 Pair
24"	J14000-24WH	25 Pair	22"	J14000-22WHB	100 Pair



- 3" Heavy Duty Rear Mounting Brackets



Item #	Description	Box Qty
JIMBL	Left Hand	500
JIMBR	Right Hand	500

GRASS EPOXY DRAWER SLIDES

A
B
C
D
E
F
G
H
I
J
K
L
M
N
O
P
Q
R
S
T
U
V
W
X
Y

6600 Series 75lb Side Mounted/Bottom Lip Drawer Slides



- Side mounted with bottom lip for easy location
- Higher side screws prevent drawer sides from splitting
- Features 86mm (3-3/8") self-closing action, stability washer behind captive roller
- Profiled to prevent contact with possible protruding screw heads
- Side clearance 12.7mm (1/2")
- Extended length accommodates face frame cabinet depth
- Features extended front to provide clearance for inset trays, no extra blocking required
- Ideal for 3/8" lipped drawer fronts
- Face frame screw hole centers at 3/8", can also be stapled
- Made in the USA



6600 Epoxy Drawer Slides - Bulk Packs

Item #	Finish	Length	Box Qty
G6600-20WHB	White	20" (500mm)	20
G6600-22WHB	White	22" (550mm)	20
G6600-23WHB	White	22-1/2" (570mm)	20

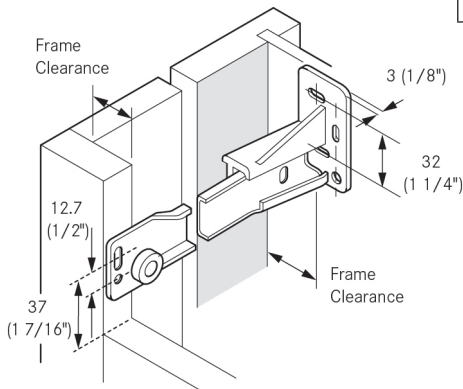
6600 Epoxy Drawer Slides - Production Packs

Item #	Finish	Length	Box Qty	Box Qty
G01225-09	White	22-1/2" (570mm)	Drawer Member Left	100
G01248-09	White	22-1/2" (570mm)	Drawer Member Right	100
G01376-09	White	23" (582mm)	Cabinet Member Left	100
G01415-09	White	23" (582mm)	Cabinet Member Right	100



Face Frame Sockets

Item #	Description	Box Qty
G00693-17	6600 Socket, Screw on, Left	500
G00694-17	6600 Socket, Screw on, Right	500



A
B
C
D
E
F
G
H
I
J
K
L
M
N
O
P
Q
R
S
T
U
V
W
X
Y

GRASS EPOXY DRAWER SLIDES



6610 Series 75lb Bottom Mounted Epoxy Drawer Slides



- Bottom mounted with additional side mounting holes for convenience
- Features 60mm (2-5/8") parallel self-closing action
- Adapts to frame or frameless construction
- Available in almond and white epoxy finish
- Side clearance 12.7mm (1/2")
- Made in the USA



6610 Epoxy Drawer Slides - White

Item #	Length	Box Qty
G6610-14WHB	14" (350mm)	20
G6610-16WHB	16" (400mm)	20
G6610-18WHB	18" (450mm)	20
G6610-20WHB	20" (500mm)	20
G6610-22WHB	22" (550mm)	20

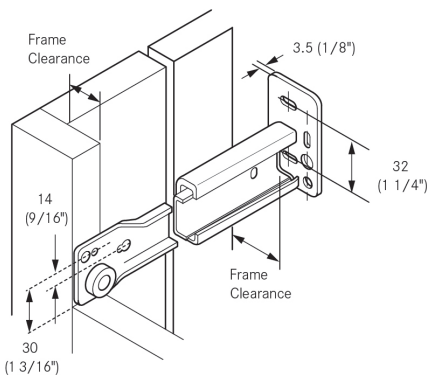
6610 Epoxy Drawer Slides - Almond

Item #	Length	Box Qty
G6610-18ALB	18" (450mm)	20
G6610-20ALB	20" (500mm)	20
G6610-22ALB	22" (550mm)	20



6610 Face Frame Sockets

Item #	Description	Box Qty
G13156-17	6610 Adapter Socket, Screw on, Left	500
G13157-17	6610 Adapter Socket, Screw on, Right	500



GRASS EPOXY DRAWER SLIDE ACCESSORIES

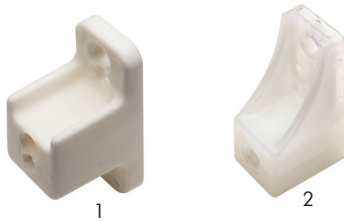


6196 Bracket

- Attaches cabinet member of drawer slide if no side panel is available
- Bracket can be used for right or left



Item #	Box Qty
G6196WH	50



6195 Spacers for Cabinet Members

- Designed for doors protruding into the cabinet and for inset drawers
- White finish



	Item #	Description	Box Qty
1	G6195	6195 Spacer, 1" (25mm), Screw-On	20
2	G13097	6195 Spacer/Pin, 1" (25mm), Screw-On with Pin	20

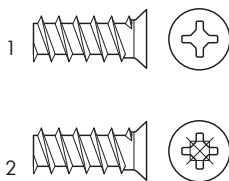


Door/Drawer Protector

- Attaches to side of wooden pull-out
- Designed for inset pull-out trays for frame or frameless cabinetry
- White finish



Item #	Box Qty
G13096	500



Euro Screws, Nickel-Plated



	Item #	Description	Box Qty
1	G83001-43	7.5mm Euro Screw (5/16")	500
	G81015	13mm Euro Screw (1/2")	500
	G83000	18mm Euro Screw (11/16")	500
2	G499.360.61.1015	11mm Euro Screw (7/16") Pozi	500



Wood Screws, Nickel-Plated



Item #	Description	Box Qty
G81014-43	#6 x 1/2" Phillips Head	500
G81001-43	#6 x 5/8" Phillips Head	500
G6X34FHNI	#6 x 3/4" Phillips Head	500



Pozidrive Screwdriver

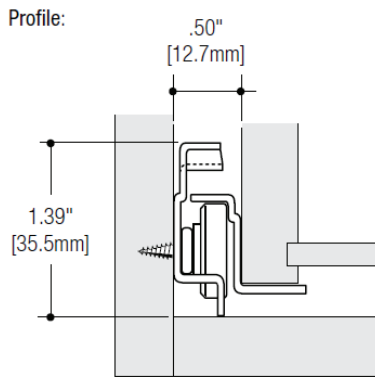


Item #	Description
GPD	#2 Pozidrive Screwdriver

A
B
C
D
E
F
G
H
I
J
K
L
M
N
O
P
Q
R
S
T
U
V
W
X
Y

A KV 1805 EPOXY DRAWER SLIDES

B KV 1805 Epoxy-Coated Drawer Slides



- 32mm mounting hole pattern
- Lift out disconnect
- Self-close design
- Recommended maximum drawer width 18"
- Mounting: Side
- Action: Rollers
- Load Rating: 75 lb. class
- Height: 1.39" (35.5mm)
- Clearance: .50" + .03" - 0" on each side
- Finish: White
- Q-packs packaged 100 pair per carton without screws, multiple cartons
- T-packs are packaged 1 pair taped together without screws. 20 pair per carton

1805 White Finish		
Length	T-Pack Item #	Q-Pack Item #
11-13/16" (300mm)	KV1805-12WHT	KV1805-12WHQ
13-3/4" (350mm)	KV1805-14WHT	KV1805-14WHQ
15-3/4" (400mm)	KV1805-16WHT	KV1805-16WHQ
17-3/4" (450mm)	KV1805-18WHT	KV1805-18WHQ
19-3/4" (500mm)	KV1805-20WHT	KV1805-20WHQ
21-5/8" (550mm)	KV1805-22WHT	KV1805-22WHQ
23-5/8" (600mm)	KV1805-24WHT	-



Mounting Brackets		
Item #	Description	Box Qty
KV1805-401RH	Right Hand Rear Mounting Bracket (4" socket)	50
KV1805-401LH	Left Hand Rear Mounting Bracket (4" socket)	50

SALICE ADAR 208 EPOXY DRAWER SLIDES



Adar 208 Series, 75lb 3/4 Extension Self-Closing Drawer Slides

- Salice Adar Series epoxy drawer slides are made in Italy
- Sturdy nylon wheel for a perfect motion
- Self-closing design with double safety pull out stop
- Model A280R has a cam height adjustment feature +1.5mm affixed to each of the drawer members
- Load capacity: 75 lb dynamic, 100 lb static
- Exceeds ANSI Grade 1 certification for commercial applications
- White epoxy finish

SALICE



White Epoxy Drawer Slides		
Item #	Length	Box Qty
SAL20830	12"	25
SAL20835	14"	25
SAL20840	16"	25
SAL20845	18"	25
SAL20850	20"	25
SAL20855	22"	25
SAL20860	24"	25

White Epoxy Drawer Slides - Bulk Pack		
Item #	Length	Box Qty
SAL20830.1	12"	100
SAL20835.1	14"	100
SAL20845.1	18"	100
SAL20850.1	20"	100
SAL20855.1	22"	100
SAL20860.1	24"	100



Adar Rear Mounting Brackets

- Support Single Extension Epoxy Drawer Slides
- Brackets attach to the backside of a cabinet

Item #	Description	Box Qty
SALASO208NANDR	Right Hand Rear Bracket	200
SALASO208NANDL	Left Hand Rear Bracket	200

A
B
C
D
E
F
G
H
I
J
K
L
M
N
O
P
Q
R
S
T
U
V
W
X
Y

A PRO 2.0 SERIES BALL BEARING DRAWER SLIDES

B
C
D
E
F
G
H
I
J
K
L
M
N
O
P
Q
R
S
T
U
V
W
X
Y

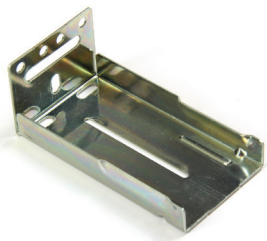


PRO 2.0 Series 100 lb. Full Extension Ball Bearing Drawer Slides



- Weight Rating: 100 lb.
- Type: Full Extension Ball Bearing
- Mounting: Side
- Material: Cold Rolled Steel
- Industry Rated: BHMA, KCMA, BIFMA, ANSI, SEFA 8.99
- Hole Pattern: 32mm
- Finish: Bright Zinc
- Clearance: 1/2" + 1/32" -0
- Continuous bearings ensure smooth and quiet performance
- Unhanded
- Lever disconnect
- Fixed rear brackets available

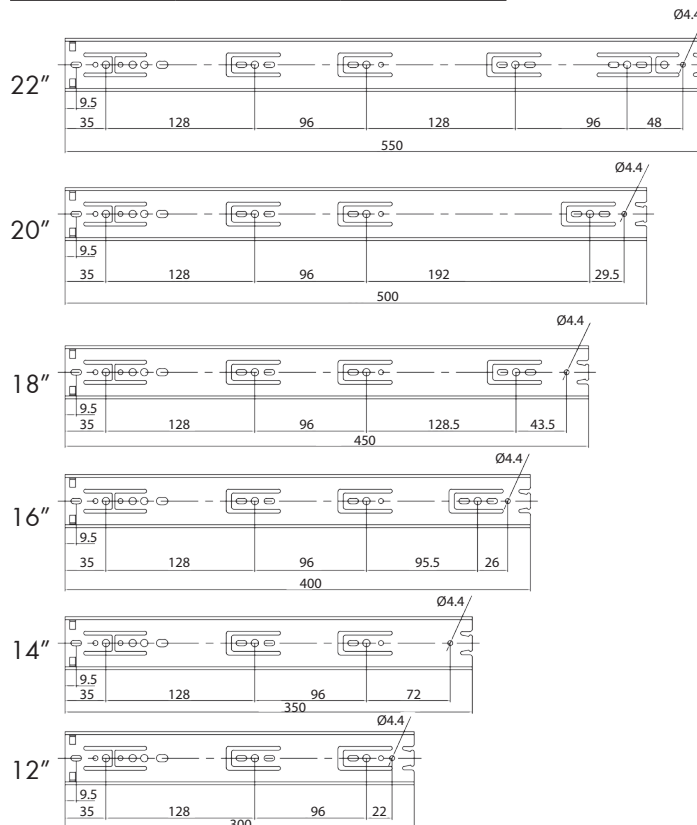
Item #	Size	Box Qty
PRO2.0-12	12"	10 Pair
PRO2.0-14	14"	10 Pair
PRO2.0-16	16"	10 Pair
PRO2.0-18	18"	10 Pair
PRO2.0-20	20"	10 Pair
PRO2.0-22	22"	10 Pair



Fixed Rear Brackets

- Two required per pair of slides

Item #	Box Qty
PRO2.0-RB	400



PRO ECO BALL BEARING DRAWER SLIDES



PRO ECO Series, 100lb Ball Bearing Full Extension Drawer Slides



- Weight Rating: 100 lbs
- Type: Full Extension Ball Bearing
- Clearance: 1/2" + 1/32" -0
- Pattern: 32mm
- Mounting: Side Mount
- Material: Cold Rolled Steel
- Extra smooth and quiet operation
- Lever disconnect
- ANSI/KCMA161.1-12

Item #	Length	Box Qty
PROECOB-12B	12"	15 Pair
PROECOB-14B	14"	15 Pair
PROECOB-16B	16"	15 Pair
PROECOB-18B	18"	15 Pair
PROECOB-20B	20"	15 Pair
PROECOB-22B	22"	15 Pair



PRO ECO Rear Mounting Brackets

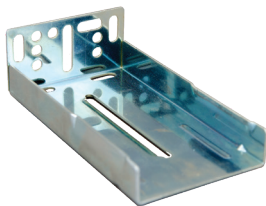
- Designed for PRO ECO Series Ball Bearing Drawer Slides

Item #	Description
PROECOB-RB	Rear Mounting Brackets

A
B
C
D
E
F
G
H
I
J
K
L
M
N
O
P
Q
R
S
T
U
V
W
X
Y

A
B
C
D
E
F
G
H
I
J
K
L
M
N
O
P
Q
R
S
T
U
V
W
X
Y

PRO 100 SERIES BALL BEARING DRAWER SLIDES

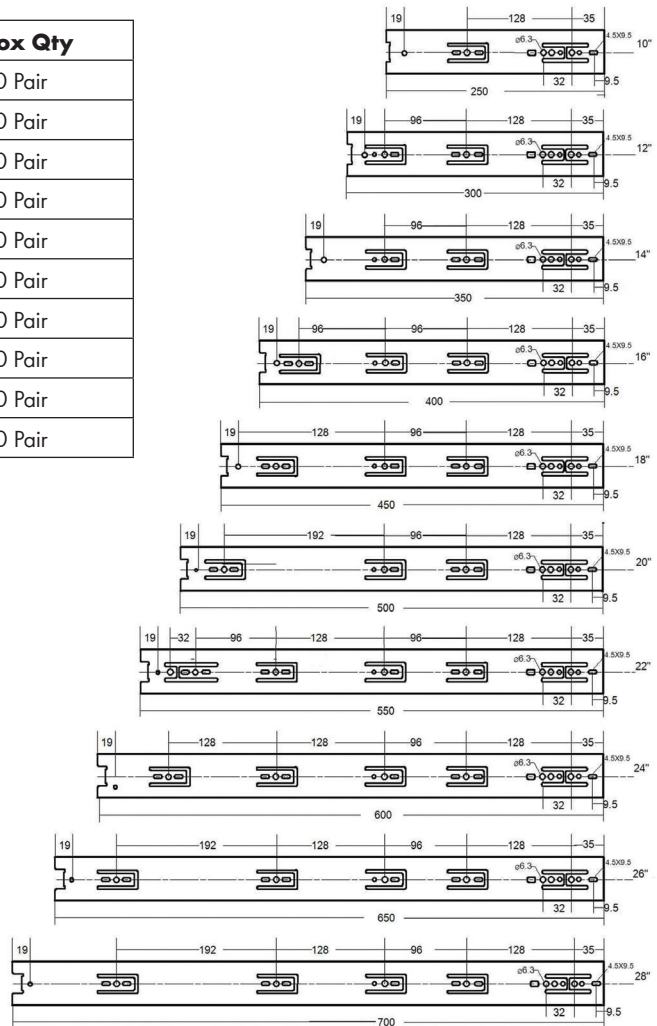


PRO 100 Series 100 lb. Full Extension Ball Bearing Drawer Slides



- Type: Full Extension Ball Bearing
- Mounting: Side
- Weight Rating: 100 lb.
- Clearance: 1/2" + 1/32" -0
- Material: Cold Rolled Steel
- Hole Pattern: 32mm
- Finish: Bright Zinc
- Industry Rated: BHMA, KCMA, BIFMA, ANSI, SEFA 8.99
- Front slotted hole for mounting directly to face frame
- Continuous bearings ensure smooth and quiet performance
- Unhanded
- Lever disconnect

Item #	Size	Box Qty
PRO100-10BM	10"	10 Pair
PRO100-12BM	12"	10 Pair
PRO100-14BM	14"	10 Pair
PRO100-16BM	16"	10 Pair
PRO100-18BM	18"	10 Pair
PRO100-20BM	20"	10 Pair
PRO100-22BM	22"	10 Pair
PRO100-24BM	24"	10 Pair
PRO100-26BM	26"	10 Pair
PRO100-28BM	28"	10 Pair



Accessories:

- Two required per pair of slides

Item #	Box Qty
PRO100RB	100

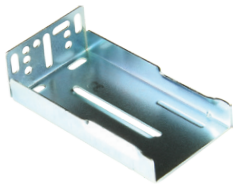
PRO 100SC SUPER RAIL SOFT-CLOSE DRAWER SLIDES



PRO 100SC Super Rail Soft-Close Drawer Slides



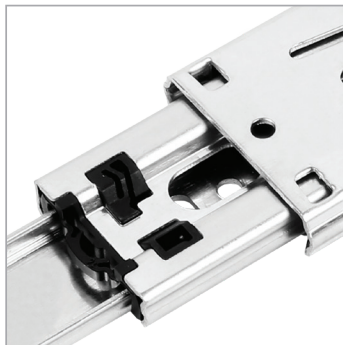
- Type: Full Extension Soft-Close Ball Bearing
- Mounting: Side
- Weight Rating: 100 lb.
- Clearance: 1/2" + 1/32" -0
- Material: Cold Rolled Steel
- Hole Pattern: 32mm
- Finish: Bright Zinc
- Industry Rated: BHMA, KCMA, BIFMA, ANSI, SEFA 8.99
- *14" size is 7/8 extension
- Low pull-out force allows drawers to open easily
- Metal piston in soft-close device ensures smooth action
- Unhanded slides with lever disconnects
- Designed for frameless and face frame applications
- Backed by a limited lifetime warranty



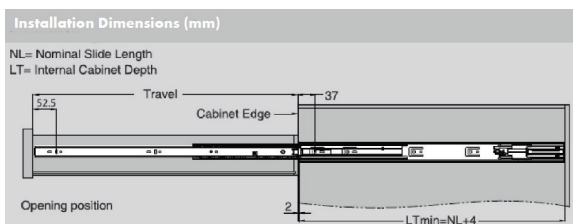
Accessories:

Item #	Box Qty
PRO100SC-RB	100 Pair

Item #	Size	Box Qty
PRO100SC-14BM	14"	10 Pair
PRO100SC-16BM	16"	10 Pair
PRO100SC-18BM	18"	10 Pair
PRO100SC-20BM	20"	10 Pair
PRO100SC-22BM	22"	10 Pair
PRO100SC-24BM	24"	10 Pair



PRO 100SC Super Rail Drilling Instructions



A
B
C
D
E
F
G
H
I
J
K
L
M
N
O
P
Q
R
S
T
U
V
W
X
Y

KV 1300 LIGHT-DUTY DRAWER SLIDES

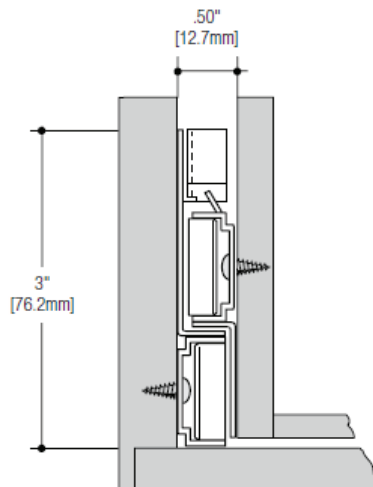


KV 1300 3/4 Extension Drawer Slides



- Positive stop lever
- Stay close design
- Recommended maximum drawer width 18"
- Mounting: Side
- Action: Ball-bearing rollers
- Load Rating: 75 lb. class
- Height: 3" (76.2mm)
- Clearance: .50" + .03" - 0" on each side
- Finish: Zinc
- Bulk items packaged 10 pair per box without screws
- Polybag items packaged 1 pair per bag with screws

1300 Zinc Finish		
Length	Bulk Item #	Polybag Item #
12"	-	KV1300-12
14"	-	KV1300-14
16"	KV1300-16B	KV1300-16
18"	KV1300-18B	KV1300-18
20"	KV1300-20B	KV1300-20
22"	KV1300-22B	KV1300-22
24"	KV1300-24B	KV1300-24
26"	-	KV1300-26



A
B
C
D
E
F
G
H
I
J
K
L
M
N
O
P
Q
R
S
T
U
V
W
X
Y

A KV 4400 LIGHT-DUTY DRAWER SLIDES

B
C
D
E
F
G
H
I
J
K
L
M
N
O
P
Q
R
S
T
U
V
W
X
Y



KV 4400 Low Profile Full Extension Drawer Slides

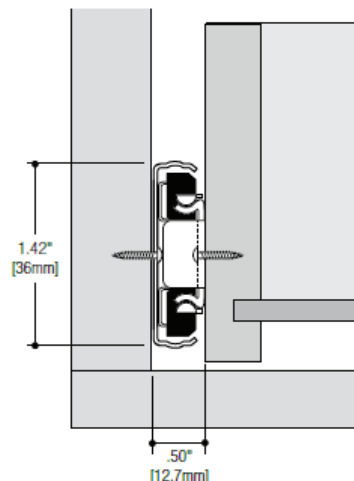
- Lever release
- Hold-in detent
- Recommended maximum drawer width 24"
- Mounting: Side
- Action: Telescopic movement on ball-bearings
- Load Rating: 65 lb. class
- Height: 1.42" (36mm)
- Clearance: .50" + .03" - 0" on each side
- Finish: Zinc (ZC)



4400 Zinc Finish		
Length	Item #	Box Qty
10"	KV4400-10B	10 Pair
12"	KV4400-12B	10 Pair
14"	KV4400-14B	10 Pair
16"	KV4400-16B	10 Pair
18"	KV4400-18B	10 Pair
20"	KV4400-20B	10 Pair
22"	KV4400-22B	10 Pair



Mounting Brackets			
	Item #	Description	Box Qty
1	KV4101B	Rear Mounting Bracket - Unhanded	20
2	KV4104B	Front Face Frame Bracket - Unhanded	20



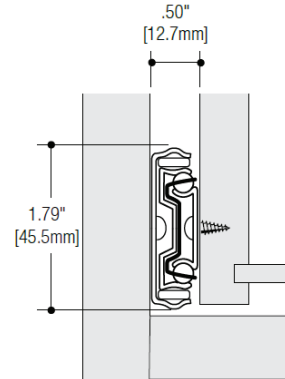
KV 8400 MEDIUM-DUTY DRAWER SLIDES



KV 8400 Full Extension Drawer Slides



- 32mm hole pattern with direct access mounting
- Lever disconnect for easy drawer removal
- Non-handed design
- Recommended maximum drawer width 24"
- Mounting: Side
- Action: Telescopic movement on ball-bearings
- Load Rating: 100 lb. class
- Height: 1.79" (45.5mm)
- Clearance: .50" + .03" - 0" on each side
- Finish: Anochrome (ANO), Ebony Black (EB), White (WH)
- Bulk items packaged in full boxes of 10 pair without screws
- Polybag items packaged 1 pair per bag with screws
- Q-packs (50 pair per box without screws) also available



8400 Anochrome Finish		
Length	Bulk Item #	Polybag Item #
8"	KV8400-8B	KV8400-8
10"	KV8400-10B	KV8400-10
12"	KV8400-12B	KV8400-12
14"	KV8400-14B	KV8400-14
16"	KV8400-16B	KV8400-16
18"	KV8400-18B	KV8400-18
20"	KV8400-20B	KV8400-20
22"	KV8400-22B	KV8400-22
24"	KV8400-24B	KV8400-24
26"	KV8400-26B	KV8400-26
28"	KV8400-28B	KV8400-28

8400 Ebony Black Finish		
Length	Bulk Item #	Polybag Item #
8"	KV8400-8BKB	-
10"	KV8400-10BKB	-
12"	KV8400-12BKB	-
14"	KV8400-14BKB	-
16"	KV8400-16BKB	KV8400-16BKB
18"	KV8400-18BKB	KV8400-18BKB
20"	KV8400-20BKB	KV8400-20BKB
22"	KV8400-22BKB	KV8400-22BKB
24"	KV8400-24BKB	KV8400-24BKB
26"	KV8400-26BKB	-
28"	KV8400-28BKB	-

8400 White Finish	
Length	Bulk Item #
8"	KV8400-8WHB
10"	KV8400-10WHB
12"	KV8400-12WHB
14"	KV8400-14WHB
16"	KV8400-16WHB
18"	KV8400-18WHB
20"	KV8400-20WHB
22"	KV8400-22WHB
24"	KV8400-24WHB
26"	KV8400-26WHB
28"	KV8400-28WHB

Mounting Brackets		
Item #	Description	Box Qty
KV8401	Rear Zinc Mounting Bracket	20
KV8402B	Rear Zinc Mounting Bracket	20
KV8402BBL	Rear Zinc Mounting Bracket	400
KV8404ANO	Front Zinc Mounting Bracket	20
KV8404ANOB	Front Zinc Mounting Bracket	100
KV8404ANOBBL	Front Zinc Mounting Bracket	400
KV8404BK	Front Black Mounting Bracket	20
KV8404ANOKIT	2 (8403) + 2 (8404) + Screws	1

A
B
C
D
E
F
G
H
I
J
K
L
M
N
O
P
Q
R
S
T
U
V
W
X
Y

A KV 8405 MEDIUM-DUTY DRAWER SLIDES

B
C
D
E
F
G
H
I
J
K
L
M
N
O
P
Q
R
S
T
U
V
W
X
Y



KV 8405 Over-Travel Drawer Slides

- 1" over travel for full access to drawer contents
- Lever disconnect for easy drawer removal
- Non-handed design
- Recommended maximum drawer width 24"
- Mounting: Side
- Action: Telescopic action on ball-bearings
- Load Rating: 100 lb. class
- Height: 1.79" (45.5mm)
- Clearance: .50" + .03" - 0" on each side
- Finish: Anochrome (ANO), Ebony Black (EB)
- Bulk items packaged in full boxes of 10 pair without screws
- Polybag items packaged 1 pair per bag with screws



8405 Anochrome Finish		
Length	Bulk Item #	Polybag Item #
10"	KV8405-10B	KV8405-10
12"	KV8405-12B	KV8405-12
14"	KV8405-14B	KV8405-14
16"	KV8405-16B	KV8405-16
18"	KV8405-18B	KV8405-18
20"	KV8405-20B	KV8405-20
22"	KV8405-22B	KV8405-22
24"	KV8405-24B	KV8405-24
26"	KV8405-26B	KV8405-26
28"	KV8405-28B	KV8405-28
28"	KV8400-28B	KV8400-28

8405 Ebony Black Finish	
Length	Bulk Item #
14"	KV8405-14BKB
18"	KV8405-18BKB
20"	KV8405-20BKB
22"	KV8405-22BKB



8401

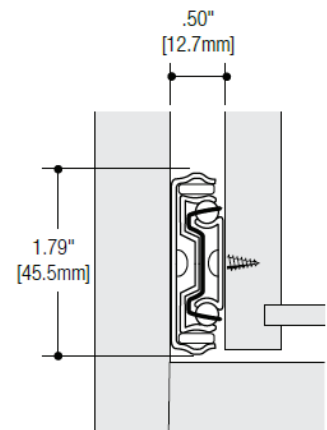


8402

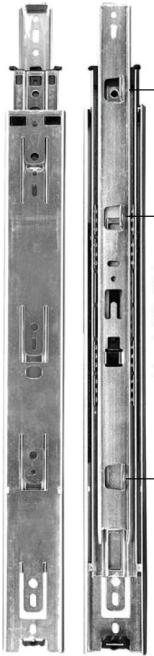


8404

Mounting Brackets		
Item #	Description	Box Qty
KV8401	Rear Zinc Mounting Bracket	20
KV8402B	Rear Zinc Mounting Bracket	20
KV8402BBL	Rear Zinc Mounting Bracket	400
KV8404ANO	Front Zinc Mounting Bracket	20
KV8404ANOB	Front Zinc Mounting Bracket	100
KV8404ANOBBL	Front Zinc Mounting Bracket	400
KV8404BK	Front Black Mounting Bracket	20
KV8404ANOKIT	2 (8403) + 2 (8404) + Screws	1



KV 8407 MEDIUM-DUTY DRAWER SLIDES



Tab Detail



8401



8402



8404

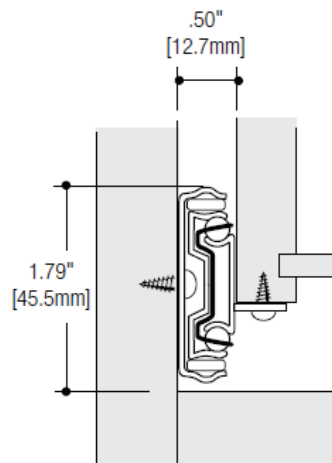
KV 8407 Full Extension Drawer Slides with Shelf Tabs

- 32mm hole pattern with direct access mounting
- Lever disconnect for easy drawer removal
- Integrated shelf tabs
- Recommended maximum drawer width 24"
- Mounting: Side
- Action: Telescopic movement on ball-bearings
- Load Rating: 100 lb. class
- Height: 1.79" (45.5mm)
- Clearance: .50" + .03" - 0" on each side
- Finish: Anochrome (ANO); Ebony Black (EB) special order
- Bulk items packaged in full boxes of 10 pair without screws
- Polybag items packaged 1 pair per bag with screws



8407 Anochrome Finish	
Length	Polybag Item #
16"	KV8407-16
18"	KV8407-18
20"	KV8407-20
22"	KV8407-22

Mounting Brackets		
Item #	Description	Box Qty
KV8401	Rear Zinc Mounting Bracket	20
KV8402B	Rear Zinc Mounting Bracket	20
KV8402BBL	Rear Zinc Mounting Bracket	400
KV8404ANO	Front Zinc Mounting Bracket	20
KV8404ANOB	Front Zinc Mounting Bracket	100
KV8404ANOBBL	Front Zinc Mounting Bracket	400
KV8404BK	Front Black Mounting Bracket	20
KV8404ANOKIT	2 (8403) + 2 (8404) + Screws	1



A
B
C
D
E
F
G
H
I
J
K
L
M
N
O
P
Q
R
S
T
U
V
W
X
Y

A KV 8414 MEDIUM-DUTY DRAWER SLIDES

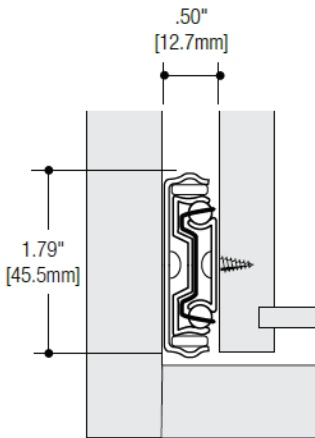
B
C
D
E
F
G
H
I
J
K
L
M
N
O
P
Q
R
S
T
U
V
W
X
Y



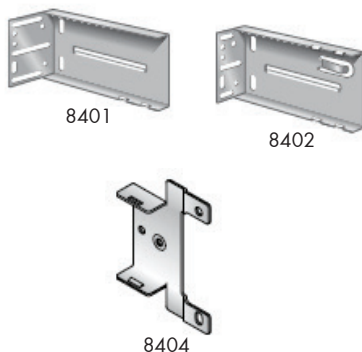
KV 8414 Full Extension Hold-Out Precision Drawer Slides



- 32mm hole pattern with direct access mounting
- Lever disconnect for easy drawer removal
- Hold-out feature holds slide in place when drawer is open
- Recommended maximum drawer width 24"
- Mounting: Side
- Action: Telescopic movement on ball-bearings
- Load Rating: 100 lb. class
- Height: 1.79" (45.5mm)
- Clearance: .50" + .03" - 0" on each side
- Finish: Anochrome (ANO); Ebony Black (EB) special order
- Bulk items packaged in full boxes of 10 pair without screws
- Polybag items packaged 1 pair per bag with screws



8414 Anochrome Finish		
Length	Bulk Item #	Polybag Item #
12"	KV8414-12B	KV8414-12
14"	KV8414-14B	KV8414-14
16"	KV8414-16B	KV8414-16
18"	KV8414-18B	KV8414-18
20"	KV8414-20B	KV8414-20
22"	KV8414-22B	KV8414-22
24"	KV8414-24B	-



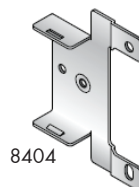
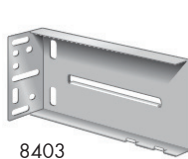
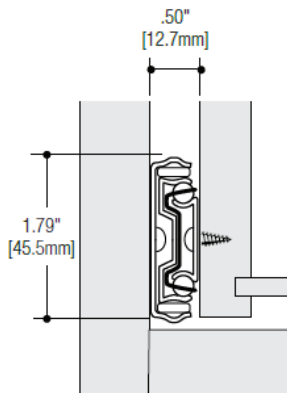
Mounting Brackets		
Item #	Description	Box Qty
KV8401	Rear Zinc Mounting Bracket	20
KV8402B	Rear Zinc Mounting Bracket	20
KV8402BBL	Rear Zinc Mounting Bracket	400
KV8404ANO	Front Zinc Mounting Bracket	20
KV8404ANOB	Front Zinc Mounting Bracket	100
KV8404ANOBBL	Front Zinc Mounting Bracket	400
KV8404BK	Front Black Mounting Bracket	20
KV8404ANOKIT	2 (8403) + 2 (8404) + Screws	1

KV 8417/8419/8400RV MEDIUM-DUTY DRAWER SLIDES

KV 8417, 8419, 8400RV Self-Closing Drawer Slides



- 32mm hole pattern with direct access mounting
- Self-closing feature
- 8400RV features a stronger spring for mobile applications
- Recommended maximum drawer width 24"
- 8417: Self-closing full extension drawer slide
- 8419: Self-closing 1" over travel drawer slide
- 8400RV: Heavy-Duty self-closing full extension drawer slide
- Mounting: Side
- Action: Telescopic movement on ball-bearings
- Load Rating: 100 lb. class (8417/8400RV); 90 lb. class (8419)
- Height: 1.79" (45.5mm)
- Clearance: .50" + .03" - 0" on each side
- Finish: Anochrome (ANO)
- Bulk items packaged in full boxes of 10 pair without screws
- Polybag items packaged 1 pair per bag with screws



8417 Full Extension Series Drawer Slides		
Length	Anochrome Bulk Item #	Anochrome Polybag Item #
12"	KV8417-12B	KV8417-12
14"	KV8417-14B	KV8417-14
16"	KV8417-16B	KV8417-16
18"	KV8417-18B	KV8417-18
20"	KV8417-20B	KV8417-20
22"	KV8417-22B	KV8417-22
24"	KV8417-24B	KV8417-24
26"	KV8417-26B	KV8417-26

8419 Overtravel Slides - Anochrome Finish		
Length	Bulk Item #	Polybag Item #
14"	-	KV8419-14
16"	-	KV8419-16
18"	-	KV8419-18
20"	KV8419-20B	KV8419-20
22"	KV8419-22B	KV8419-22
24"	KV8419-24B	KV8419-24
26"	-	KV8419-26

8400RV Heavy Duty Full Extension - Anochrome Finish			
Length	Bulk Item #	Length	Bulk Item #
10"	KV8400-10BRV	20"	KV8400-20BRV
12"	KV8400-12BRV	22"	KV8400-22BRV
14"	KV8400-14BRV	24"	KV8400-24BRV
16"	KV8400-16BRV	26"	KV8400-26BRV
18"	KV8400-18BRV	28"	KV8400-28BRV

Mounting Brackets		
Item #	Description	Box Qty
KV8403B	Rear Zinc Mounting Bracket	20
KV8403BBL	Rear Zinc Mounting Bracket	400
KV8404ANO	Front Zinc Mounting Bracket	20
KV8404ANOB	Front Zinc Mounting Bracket	100
KV8404ANOBBL	Front Zinc Mounting Bracket	400
KV8404BK	Front Black Mounting Bracket	20
KV8404ANOKIT	2 (8403) + 2 (8404) + Screws	1

A
B
C
D
E
F
G
H
I
J
K
L
M
N
O
P
Q
R
S
T
U
V
W
X
Y

KV 8450FM/8455FM MEDIUM-DUTY DRAWER SLIDES

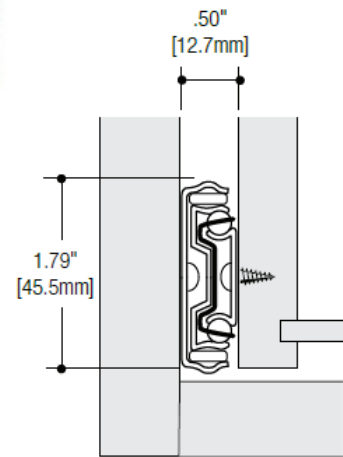
KV 8450FM/8455FM Soft-Close Drawer Slides



- Patented Force Management™ (FM) soft-close technology
- 32mm hole pattern with direct access mounting
- Lever disconnect for easy drawer removal
- Non-handed design
- Recommended maximum drawer width 24"
- 8450FM: Full extension
- 8455FM: 1" Over travel
- Action: Telescopic movement on ball-bearings
- Load Rating: 8450FM: 100 lb. class
- Load Rating: 8455FM: 90 lb. class
- Height: 1.79" (45.5mm)
- Clearance: .50" + .03" - 0" on each side
- Finish: Anochrome (ANO), Ebony Black (EB)
- Bulk items packaged in full boxes of 10 pair without screws
- Polybag items packaged 1 pair per bag with screws



Soft-Close Mechanism



8450FM Full Extension Soft-Close Drawer Slides

Length	Anochrome Bulk Item #	Anochrome Polybag Item #	Ebony Black Bulk Item #
12"	KV8450FM-12B	KV8450FM-12	-
14"	KV8450FM-14B	KV8450FM-14	-
16"	KV8450FM-16B	KV8450FM-16	KV8450FM-16BKB
18"	KV8450FM-18B	KV8450FM-18	KV8450FM-18BKB
20"	KV8450FM-20B	KV8450FM-20	KV8450FM-20BKB
22"	KV8450FM-22B	KV8450FM-22	KV8450FM-22BKB
24"	KV8450FM-24B	KV8450FM-24	-
26"	KV8450FM-26B	KV8450FM-26	-
28"	KV8450FM-28B	KV8450FM-28	-

NOTE: 12" slide has 10.2" extension

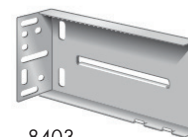
8455FM 1" Overtravel Soft-Close Drawer Slides

Length	Anochrome Bulk Item #	Anochrome Polybag Item #	Ebony Black Bulk Item #
16"	KV8455FM-16B	-	KV8455FM-16BKB
18"	KV8455FM-18B	-	KV8455FM-18BKB
20"	KV8455FM-20B	KV8455FM-20	-
22"	KV8455FM-22B	KV8455FM-22	KV8455FM-22BKB
24"	KV8455FM-24B	-	-
26"	KV8455FM-26B	-	-
28"	KV8455FM-28B	-	-

NOTE: 12" slide has 10.2" extension

Mounting Brackets

Item #	Description	Box Qty
KV8403B	Rear Zinc Mounting Bracket	20
KV8403BBL	Rear Zinc Mounting Bracket	400
KV8404ANO	Front Zinc Mounting Bracket	20
KV8404ANOB	Front Zinc Mounting Bracket	100
KV8404ANOBBL	Front Zinc Mounting Bracket	400
KV8404BK	Front Black Mounting Bracket	20
KV8404ANOKIT	2 (8403) + 2 (8404) + Screws	1



8403



8404

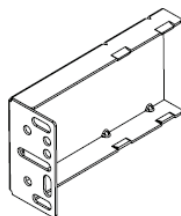
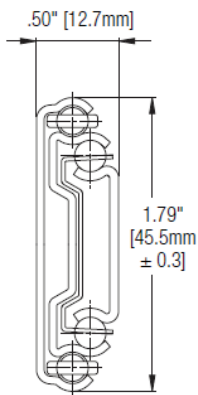
KV 4200/4205 MEDIUM-DUTY DRAWER SLIDES



KV G-Slide 4200 Full Extension & 4205 1" Overtravel Drawer Slides



- 32mm hole pattern
- Lever disconnect for easy drawer removal
- Hold-in detent
- Non-handed design
- Recommended maximum drawer width 24"
- 4200: Full extension
- 4205: 1" Over travel
- Mounting: Side
- Action: Telescopic movement on ball-bearings
- Load Rating: 4200: 100 lb. class
- Load Rating: 4205: 90 lb. class
- Height: 1.79" (45.5mm)
- Clearance: .50" + .03" - 0" on each side
- Finish: Zinc (ZC); Black (EB) special order
- Packaged in full boxes of 10 pair without screws



G-Slide 4200 Full Extension Slides Zinc Finish	
Length	Item #
10"	KVGS4200-10
12"	KVGS4200-12
14"	KVGS4200-14
16"	KVGS4200-16
18"	KVGS4200-18
20"	KVGS4200-20
22"	KVGS4200-22
24"	KVGS4200-24
26"	KVGS4200-26
28"	KVGS4200-28

G-Slide 4205 Overtravel Slides Zinc Finish	
Length	Item #
10"	KV4205-10
12"	KV4205-12
14"	KV4205-14
16"	KV4205-16
18"	KV4205-18
20"	KV4205-20
22"	KV4205-22
24"	KV4205-24
26"	KV4205-26
28"	KV4205-28

Mounting Brackets		
Item #	Description	Box Qty
KVGS4340RB	Rear Zinc Mounting Bracket	200

A
B
C
D
E
F
G
H
I
J
K
L
M
N
O
P
Q
R
S
T
U
V
W
X
Y

A KV 4270 / 4260 MEDIUM-DUTY DRAWER SLIDES

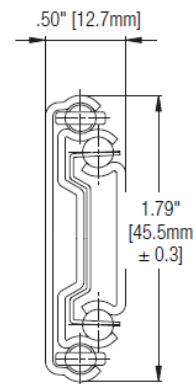
B KV G-Slide 4270 Soft-Close Drawer Slides



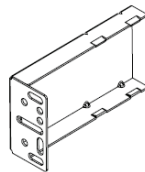
- Soft-close module
- 32mm hole pattern
- Lever disconnect for easy drawer removal
- Non-handed design
- Recommended maximum drawer width 24"
- Mounting: Side
- Action: Telescopic movement on ball-bearings
- Load Rating: 100 lb. class
- Height: 1.79" (45.5mm)
- Clearance: .50" + .03" - 0" on each side
- Finish: Zinc (ZC)
- Packaged in full boxes of 10 pair without screws



G-Slide 4270 Full Extension Slides	
Length	Item #
12"	KVGS4270-12
14"	KVGS4270-14
16"	KVGS4270-16
18"	KVGS4270-18
20"	KVGS4270-20
22"	KVGS4270-22
24"	KVGS4270-24
26"	KVGS4270-26
28"	KVGS4270-28
28"	KVGS4200-28



Mounting Brackets		
Item #	Description	Box Qty
KVGS4340RB	Rear Zinc Mounting Bracket	200



NOTE: 12" slide has an 8.4" extension and 14" slide has an 11.9" extension.

P KV G-Slide 4260 Push-Open Drawer Slides

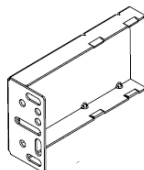


- Push-open feature holds a drawer or tray in the closed position until activated by a slight push
- 32mm hole pattern
- Lever disconnect for easy drawer removal
- Non-handed design
- Recommended maximum drawer width 24"
- Mounting: Side
- Action: Telescopic movement on ball-bearings
- Load Rating: 100 lb. class
- Height: 1.79" (45.5mm)
- Clearance: .50" + .03" - 0" on each side
- Finish: Zinc (ZC)
- Packaged in full boxes of 10 pair without screws



G-Slide 4260 Full Extension Slides	
Length	Item #
12"	KVGS4260-12
14"	KVGS4260-14
16"	KVGS4260-16
18"	KVGS4260-18
20"	KVGS4260-20
22"	KVGS4260-22
24"	KVGS4260-24
26"	KVGS4260-26
28"	KVGS4260-28

Mounting Brackets		
Item #	Description	Box Qty
KVGS4340RB	Rear Zinc Mounting Bracket	200



KV 6500/6505 HEAVY-DUTY DRAWER SLIDES



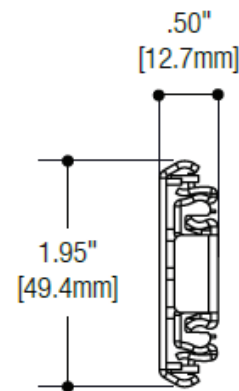
**KV 6500 Full Extension
Drawer Slides**

- Lever disconnect for easy drawer removal
- Closed position hold-in detent
- Non-handed design
- Recommended maximum drawer width 30"
- Mounting: Side
- Action: Telescopic movement on ball-bearings

Length	Item #
12"	KV6500-12B
14"	KV6500-14B
16"	KV6500-16B
18"	KV6500-18B
20"	KV6500-20B
22"	KV6500-22B
24"	KV6500-24B
26"	KV6500-26B
28"	KV6500-28B



- Load Rating: 125 lb. class
- Height: 1.95" (49.4mm)
- Clearance: .50" + .03" - 0" on each side
- Finish: Zinc (ZC)
- Packaged in full boxes of 5 pair without screws



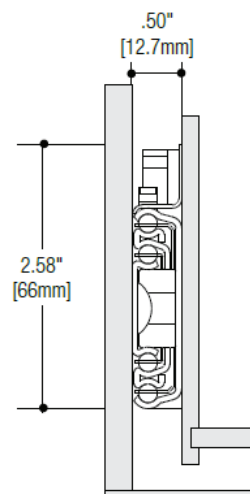
**KV 6505 Over-Travel
Drawer Slides**

- 1" over travel for easy access to drawer contents
- Closed position hold-in detent
- Lever disconnect for easy drawer removal
- Recommended maximum drawer width 30"
- Mounting: Side
- Action: Telescopic movement on ball-bearings

Length	Item #
12"	KV6505-12B
14"	KV6505-14B
16"	KV6505-16B
18"	KV6505-18B
20"	KV6505-20B
22"	KV6505-22B
24"	KV6505-24B
26"	KV6505-26B
28"	KV6505-28B



- Load Rating: 125 lb. class
- Height: 2.58" (66mm)
- Clearance: .50" + .03" - 0" on each side
- Finish: Zinc (ZC)
- Packaged in full boxes of 5 pair without screws



A
B
C
D
E
F
G
H
I
J
K
L
M
N
O
P
Q
R
S
T
U
V
W
X
Y

A
B
C
D
E
F
G
H
I
J
K
L
M
N
O
P
Q
R
S
T
U
V
W
X
Y

KV 8500/8505 HEAVY-DUTY DRAWER SLIDES

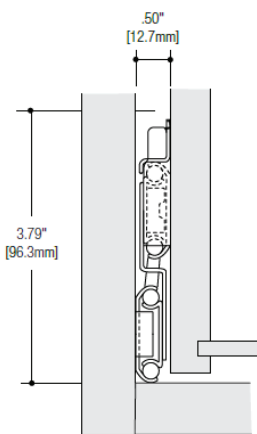


KV 8500/8505 Heavy Duty File or Lateral Drawer Slides



- 32mm hole pattern
- Non-handed quick disconnect drawer members
- Hold-in feature to prevent bounce back
- Recommended maximum drawer width: 8500: 36" | 8505: 30"
- 8500: Full extension drawer slide
- 8505: 1.25" over travel drawer slide
- Mounting: Side
- Action: Progressive movement on ball-bearings
- Load Rating: 150 lb. class
- Height: 3.79" (96.3mm) (includes quick disconnect rail)
- Clearance: .50" + .03" - 0" on each side
- Finish: Anochrome (ANO); Ebony Black (EB) also available
- Bulk items packaged 5 pair per box without screws
- Polybag items packaged 1 pair per bag with screws

8500 Full Extension Drawer Slides - Anochrome Finish		
Length	Anochrome Bulk Item #	Anochrome Polybag Item #
12"	KV8500-12X	KV8500-12
14"	KV8500-14X	KV8500-14
16"	KV8500-16X	KV8500-16
18"	KV8500-18X	KV8500-18
20"	KV8500-20X	KV8500-20
22"	KV8500-22X	KV8500-22
24"	KV8500-24X	KV8500-24
26"	KV8500-26X	KV8500-26
28"	KV8500-28X	KV8500-28
30"	KV8500-30X	KV8500-30



8505 Over-Travel Drawer Slides - Anochrome Finish		
Length	Anochrome Bulk Item #	Anochrome Polybag Item #
12"	KV8505-12X	KV8505-12
14"	KV8505-14X	KV8505-14
16"	KV8505-16X	KV8505-16
18"	KV8505-18X	KV8505-18
20"	KV8505-20X	KV8505-20
22"	KV8505-22X	KV8505-22
24"	KV8505-24X	KV8505-24
26"	KV8505-26X	KV8505-26
28"	KV8505-28X	KV8505-28
30"	KV8505-30X	KV8505-30

KV 8520/8525 HEAVY-DUTY DRAWER SLIDES



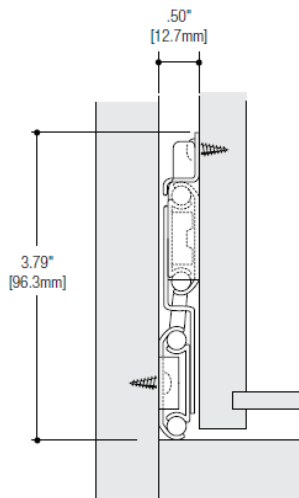
KV 8520/8525 Extra Heavy-Duty File or Lateral Drawer Slides



- 32mm hole pattern
- Non-handed quick disconnect drawer members
- Hold-in feature to prevent bounce back
- Recommended maximum drawer width:
 - 8520: 42"
 - 8525: 36"
- 8520: Full extension drawer slide
- 8525: 1.25" over travel drawer slide
- Mounting: Side
- Action: Progressive movement on ball-bearings
- Load Rating: 175 lb. class
- Height: 3.79" (96.3mm) (includes quick disconnect rail)
- Clearance: .50" + .03" - 0" on each side
- Finish: Anochrome (ANO)
- Polybag items packaged 1 pair per bag with screws

8520 Full Extension Drawer Slides	
Length	Polybag Item #
18"	KV8520-18
20"	KV8520-20

8525 Over-Travel Drawer Slides	
Length	Polybag Item #
16"	KV8525-16
18"	KV8525-18
20"	KV8525-20



A
B
C
D
E
F
G
H
I
J
K
L
M
N
O
P
Q
R
S
T
U
V
W
X
Y

A KV 8600/8605 HEAVY-DUTY DRAWER SLIDES

B KV 8600 Heavy-Duty Full Extension Drawer Slides

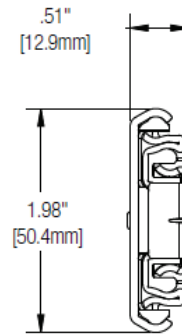


- Butterfly lever disconnect
- Non-handed design
- Recommended maximum drawer width 36"
- Mounting: Side
- Action: Telescopic movement on ball-bearings
- Height: 1.98" (50.4mm)



- Clearance: .51" + .01" - 0" on each side
- Finish: Zinc (ZC)
- Packaged 5 pair per box without screws
- Load Rating (based on application):

Length	Item #
12"	KV8600-12B
14"	KV8600-14B
16"	KV8600-16B
18"	KV8600-18B
20"	KV8600-20B
22"	KV8600-22B
24"	KV8600-24B
26"	KV8600-26B
28"	KV8600-28B



- Load:** 150 lb.:
 - Max. Drawer Width: 36"
 - Slides: 18"
 - Drawer Width: 36"
 - Cycles: 50,000 (center pull)
- Load:** 200 lb.:
 - Max. Drawer Width: 18"
 - Slides: 18"
 - Drawer Width: 18"
 - Cycles: 25,000 (center pull)

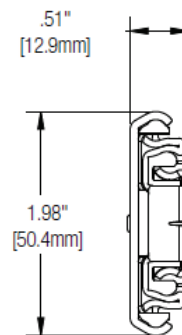
P KV 8605 Heavy-Duty Over-Travel Drawer Slides



- Butterfly lever disconnect
- Non-handed design
- Recommended maximum drawer width 36"
- Action: Telescopic movement on ball-bearings
- Height: 1.98" (50.4mm)
- Clearance: .51" + .01" - 0" on each side
- Finish: Zinc (ZC)



Length	Item #
12"	KV8605-12B
14"	KV8605-14B
16"	KV8605-16B
18"	KV8605-18B
20"	KV8605-20B
22"	KV8605-22B
24"	KV8605-24B
26"	KV8605-26B
28"	KV8605-28B



- Packaged 5 pair per box without screws
- Load Rating (based on application):
- Load:** 140 lb.:
 - Max. Drawer Width: 36"
 - Slides: 18"
 - Drawer Width: 36"
 - Cycles: 50,000 (center pull)
- Load:** 190 lb.:
 - Max. Drawer Width: 18"
 - Slides: 18"
 - Drawer Width: 18"
 - Cycles: 25,000 (center pull)

KV 8650FM/8655FM HEAVY-DUTY DRAWER SLIDES

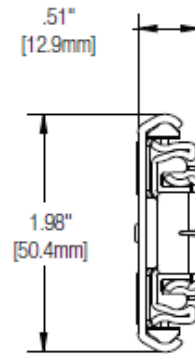
KV 8650FM Full Extension Soft-Close Drawer Slides



- Patented Force Management (FM) Soft-Close Technology
 - Butterfly lever disconnect
 - Non-handed design
 - Recommended maximum drawer width 36"
 - Mounting: Side
 - Action: Telescopic movement on ball-bearings
 - Load: 150 lb.
 - Max. Drawer Width: 36"
 - Slides: 18"
 - Drawer Width: 36"
 - Cycles: 50,000 (center pull)
 - Height: 1.98" (50.4mm)
 - Clearance: .51" + .01" - 0" on each side
 - Finish: Zinc (ZC)
 - Packaged 5 pair per box without screws
- NOTE: 14" slide has an 11" extension and 16" slide has a 15" extension.



Length	Item #
14"	KV8650FM-14B
16"	KV8650FM-16B
18"	KV8650FM-18B
20"	KV8650FM-20B
22"	KV8650FM-22B
24"	KV8650FM-24B
26"	KV8650FM-26B
28"	KV8650FM-28B



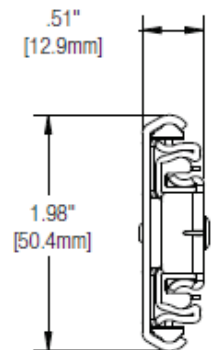
KV 8655FM Heavy-Duty Soft-Close Over-Travel Drawer Slides



- Patented Force Management (FM) Soft-Close Technology
- 1" over travel
- Butterfly lever disconnect
- Non-handed design
- Recommended maximum drawer width 36"
- Mounting: Side
- Action: Telescopic movement on ball-bearings
- Load: 140 lb.
 - Max. Drawer Width: 36"
 - Slides: 18"
 - Drawer Width: 36"
 - Cycles: 50,000 (center pull)
- Height: 1.98" (50.4mm)
- Clearance: .51" + .01" - 0" on each side
- Finish: Zinc (ZC)
- Packaged 5 pair per box without screws



Length	Item #
18"	KV8655FM-18B
20"	KV8655FM-20B
22"	KV8655FM-22B
24"	KV8655FM-24B
26"	KV8655FM-26B
28"	KV8655FM-28B



A
B
C
D
E
F
G
H
I
J
K
L
M
N
O
P
Q
R
S
T
U
V
W
X
Y

A KV 8810/8815 HEAVY-DUTY DRAWER SLIDES

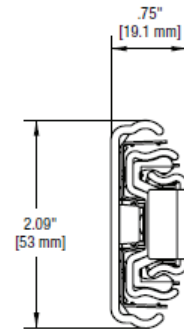
**B KV 8810 Heavy-Duty Full Extension
C Drawer Slides**



- D** • Non-handed design for easy installation
- E** • Closed-position hold-in detent
- F** • Butterfly lever release
- G** • Recommended maximum drawer width 42"
- H** • Mounting: Side
- I** • Action: Telescopic movement on ball-bearings
- J** • Load Rating: 200 lb. class; 100 lb. flat mount rating
- K** • Height: 2.09" (53mm)
- L** • Clearance: .75" + .03" - 0" on each side
- M** • Finish: Zinc (ZC)
- N** • Packaged 4 pair per box without screws



Length	Item #
10"	KV8810-10B
12"	KV8810-12B
14"	KV8810-14B
16"	KV8810-16B
18"	KV8810-18B
20"	KV8810-20B
22"	KV8810-22B
24"	KV8810-24B
26"	KV8810-26B
28"	KV8810-28B



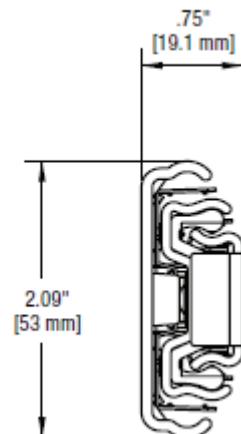
**O KV 8815 Heavy-Duty Over-Travel
P Drawer Slides**



- Q** • Non-handed design for easy installation
- R** • Ideal for large storage drawer applications
- S** • 1" over travel allows for easy access to drawer contents
- T** • Butterfly lever release
- U** • Recommended maximum drawer width 42"
- V** • Mounting: Side
- W** • Action: Telescopic movement on ball-bearings
- X** • Load Rating: 190 lb. class
- Y** • Height: 2.09" (53mm)
- Clearance: .75" + .03" - 0" on each side
- Finish: Zinc (ZC)
- Packaged 4 pair per box without screws



Length	Item #
12"	KV8815-12B
14"	KV8815-14B
16"	KV8815-16B
18"	KV8815-18B
20"	KV8815-20B
22"	KV8815-22B
24"	KV8815-24B
26"	KV8815-26B
28"	KV8815-28B

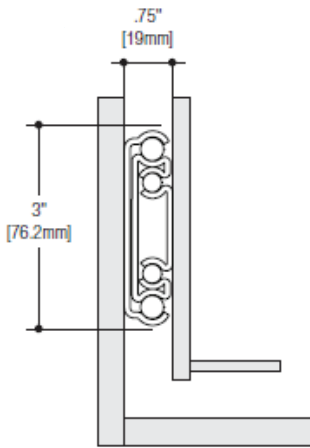


KV 8900 HEAVY-DUTY DRAWER SLIDES



KV 8900 Extra Heavy-Duty Full Extension Drawer Slides

- Heavy-Duty stops are designed to withstand rough use
- Non-handed design for easy installation
- Full extension travel
- Non-disconnect
- Mounting: Side
- Action: Telescopic movement on ball-bearings
- Load Rating: 100–500 lb. class depending on application
- 100 lb. flat mount rating
- Height: 3" (76.2mm)
- Clearance: .75" + .03" - 0" on each side
- Finish: Zinc (ZC)
- Bulk items 40" - 60" sold 1 pair per box
- Polybag items 12" - 36" sold 1 pair per bag



8900 Polybag Slides	
Length	Polybag Item #
12"	KV8900-12
14"	KV8900-14
16"	KV8900-16
18"	KV8900-18
20"	KV8900-20
22"	KV8900-22
24"	KV8900-24

8900 Polybag Slides	
Length	Polybag Item #
26"	KV8900-26
28"	KV8900-28
30"	KV8900-30
32"	KV8900-32
34"	KV8900-34
36"	KV8900-36

8900 Bulk Slides	
Length	Bulk Item #
40"	KV8900-40B
42"	KV8900-42B
44"	KV8900-44B
48"	KV8900-48B
60"	KV8900-60B

Load Rating Chart		
Load Rating	Test Condition	Open/Close Cycle Tested
500 lb.	18" slide in 18" width drawer	10,000
400 lb.	18" slide in 42" width drawer	30,000
300 lb.	18" slide in 36" width drawer	75,000
100 lb. flat load	18" slide in 32" width drawer	10,000

A
B
C
D
E
F
G
H
I
J
K
L
M
N
O
P
Q
R
S
T
U
V
W
X
Y

A KV 8908 HEAVY-DUTY DRAWER SLIDES



KV 8908 Extra Heavy-Duty Full Extension Locking Drawer Slides

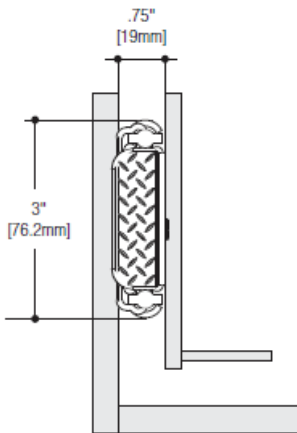


- Automatic lock-in/lock-out feature
- Intuitive uni-directional release/closure
- Removable, ergonomic handle
- Spring-activated latches for vertical and horizontal mounting
- Non-disconnect
- 8908: Extra Heavy-Duty full extension lock-in/lock-out slide
- Mounting: Side or flat mount
- Action: Telescopic movement on ball-bearings
- Load Rating: 100–500 lb. class depending on application
 - 100 lb. flat mount rating
- Height: 3" (76.2mm)
- Clearance: .75" + .03" - 0" on each side

Packaging Info:

- 12" - 20": 8 slides per box without screws
- 22" - 28": 6 slides per box without screws
- 30" - 36": 4 slides per carton without screws
- 40" - 60": 2 slides per box without screws
- Each slide is poly-bagged with instructions included

NOTE: Each item is sold per slide, not the pair.



Length	Item #
12"	KV8908-12
14"	KV8908-14
16"	KV8908-16
18"	KV8908-18
20"	KV8908-20
22"	KV8908-22
24"	KV8908-24
26"	KV8908-26
28"	KV8908-28

Length	Item #
30"	KV8908-30
32"	KV8908-32
36"	KV8908-36
40"	KV8908-40
42"	KV8908-42
44"	KV8908-44
48"	KV8908-48
60"	KV8908-60

KV KEYBOARD SLIDES



8150 & 8157 3/4 Extension Variable Height Keyboard Slides

- Mounting brackets adjust to seven different heights and can be reversed for in-board/out-board mounting
- Hold-out feature keeps drawer securely in the open position
- Hold-in feature prevents keyboard tray bounce back
- 8150: 3/4 extension keyboard slide
- 8157: 3/4 extension keyboard slide with shelf tabs
- Mounting: Under surface
- Load Rating: 75 lb. class
- Height: Overall drop height adjusts from 2.34" (59.4mm) to 3.68" (93.5mm) in 7/32" increments
- Clearance: 1.62" (41mm) per side out-board; .62 (15.7mm) per side in-board
- Finish: Anochrome (ANO), Ebony Black (EB)
- Packaged 1 pair per bag with screws

8150 Slides		
Length	Anochrome Item #	Black Item #
12"	KV8150-12	KV8150-12BK
14"	KV8150-14	KV8150-14BK
16"	KV8150-16	KV8150-16BK
18"	KV8150-18	KV8150-18BK
20"	KV8150-20	KV8150-20BK

8157 Slides		
Length	Anochrome Item #	Black Item #
14"	KV8157-14	KV8157-14BK
16"	KV8157-16	KV8157-16BK
18"	KV8157-18	KV8157-18BK
20"	KV8157-20	KV8157-20BK

8250 3/4 Extension Variable Height Pencil or Center Drawer Slides



- Mounting brackets adjust to seven heights and can be reversed for in-board and out-board mounting
- Anti-rebound stay-close design holds pencil drawer in closed position yet allows for easy opening
- Mounting: Under surface
- Load Rating: 75 lb. class
- Height: Overall drop height 2.34" [59.4mm] to 3.68" [93.5mm] in 7/32" increments
- Clearance: 1.62" [41mm] per side out-board; .53" [13.5mm] per side in-board
- Finish: Anochrome (ANO); Ebony Black (EB) special order
- Packaged 1 pair per bag with screws

Length	Item #
12"	KV8250-12
14"	KV8250-14
16"	KV8250-16
18"	KV8250-18
20"	KV8250-20
22"	KV8250-22

A
B
C
D
E
F
G
H
I
J
K
L
M
N
O
P
Q
R
S
T
U
V
W
X
Y

A KV HINGED DOOR SLIDES

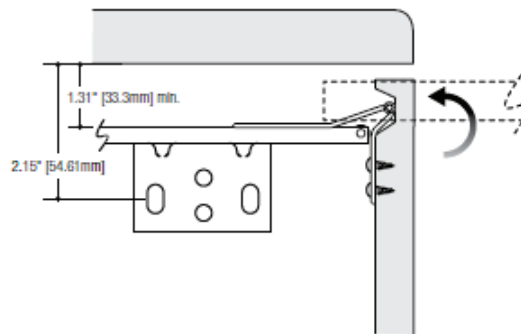
B KV 8050 Hinged Door Slides



- One-piece, non-marring roller
- Permanently staked hinge pin
- Mounting: Under surface
- Action: Ball-bearing movement
- Load Rating: 20 lb. class
- Clearance: 1.31" [33.3mm] minimum
- Finish: Anochrome (ANO)
- Polybag items packaged 1 pair per bag with screws



Length	Polybag Item #
12"	KV8050-12
14"	KV8050-14
16"	KV8050-16
18"	KV8050-18
20"	KV8050-20
22"	KV8050-22



Search for product or scan a barcode...



Shopping Cart
\$0.00

Shop By Category

Home

CLAMPS
WITHOUT COMPROMISE

1 2 3 4 5 6

NOW HIRING!

Apply at:
wurthlac.com/careers

SUPPLY CHAIN CHALLENGES?
We have you COVERED.

[LEARN MORE](#)

GOVERNMENT

We are a SAM Approved U.S. Government Vendor

CATALOGS & LITERATURE

Digital versions to download

MACHINERY

Explore our full line of woodworking machinery

KV 8000 & 6400 SPECIALTY DRAWER SLIDES

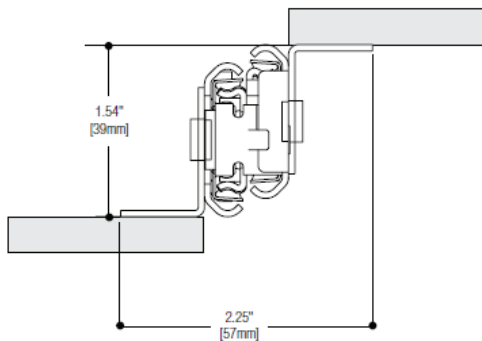
KV 8000 Over-Travel Undermount Pantry Drawer Slides



- Removable mounting brackets
- Hold-in detent
- Key-hole style mounting holes
- 1" over travel
- Mounting: Bottom mount
- Action: Telescopic movement on ball-bearings
- Load Rating: 130 lb. class
- Height: 1.54" (39mm) / 2.25" (57mm) (includes brackets)
- Clearance: 3/4" (slide only); 2-1/4" (with brackets)
- Finish: Anochrome (ANO)
- Packaged 1 pair per bag with screws



Length	Item #
12"	KV8000-12
14"	KV8000-14
16"	KV8000-16
18"	KV8000-18
20"	KV8000-20
22"	KV8000-22
24"	KV8000-24
26"	KV8000-26
28"	KV8000-28



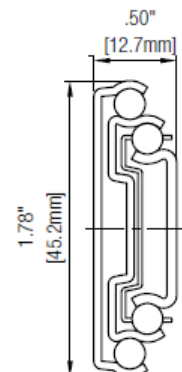
KV 6400 Stainless Steel Drawer Slides



- 304-Grade stainless steel
- Ideal for use in wet or corrosive environments
- USDA H-1 approved grease
- Lever disconnect
- Recommended drawer width 24"
- Mounting: Side
- Action: Telescopic movement on ball-bearings
- Load Rating: 100 lb. class
- Height: 1.78" [45.2mm]
- Clearance: .50" + .03" - 0" on each side
- Finish: Stainless Steel (SS)
- Packaged in full boxes of 10 pair without screws



Length	Item #
10"	KV6400-10
12"	KV6400-12
14"	KV6400-14
16"	KV6400-16
18"	KV6400-18
20"	KV6400-20
22"	KV6400-22
24"	KV6400-24
26"	KV6400-26
28"	KV6400-28



A
B
C
D
E
F
G
H
I
J
K
L
M
N
O
P
Q
R
S
T
U
V
W
X
Y

A SUGATSUNE STAINLESS STEEL BALL BEARING DRAWER SLIDES

B
C
D
E
F
G
H
I
J
K
L
M
N
O
P
Q
R
S
T
U
V
W
X
Y



Sugatsune ESR-3813 Series Stainless Steel Drawer Slides



- Full extension
- Front disconnect
- Positive stop
- Hold-in detent
- Non-handed
- Mount with M4 or #8 Binding, Pan, or Truss head screws
- Screws are not included

Item #	Size	Load Rating Per Pair	Material	Box Qty
SGESR-3813-8	8"	98 Lbs.	304 Stainless Steel	10 Pair
SGESR-3813-10	10"	92 Lbs.	304 Stainless Steel	10 Pair
SGESR-3813-12	12"	88 Lbs.	304 Stainless Steel	10 Pair
SGESR-3813-14	14"	84 Lbs.	304 Stainless Steel	10 Pair
SGESR-3813-16	16"	79 Lbs.	304 Stainless Steel	10 Pair
SGESR-3813-18	18"	75 Lbs.	304 Stainless Steel	10 Pair
SGESR-3813-20	20"	73 Lbs.	304 Stainless Steel	10 Pair
SGESR-3813-22	22"	68 Lbs.	304 Stainless Steel	10 Pair
SGESR-3813-24	24"	64 Lbs.	304 Stainless Steel	10 Pair

Sugatsune ESR-DC4513 Series Stainless Steel Drawer Slides



- Full extension
- Front disconnect
- Positive stop
- Hold-in detent
- Non-handed
- Mount with M4 or #8 Binding, Pan, or Truss head screws
- Screws are not included



Item #	Size	Load Rating Per Pair	Material	Box Qty
SGESR-DC4513-10	10"	115 Lbs.	304 Stainless Steel	10 Pair
SGESR-DC4513-12	12"	111 Lbs.	304 Stainless Steel	10 Pair
SGESR-DC4513-14	14"	108 Lbs.	304 Stainless Steel	10 Pair
SGESR-DC4513-16	16"	104 Lbs.	304 Stainless Steel	10 Pair
SGESR-DC4513-18	18"	100 Lbs.	304 Stainless Steel	10 Pair
SGESR-DC4513-20	20"	97 Lbs.	304 Stainless Steel	10 Pair
SGESR-DC4513-22	22"	95 Lbs.	304 Stainless Steel	10 Pair
SGESR-DC4513-24	24"	92 Lbs.	304 Stainless Steel	10 Pair
SGESR-DC4513-26	26"	90 Lbs.	304 Stainless Steel	10 Pair
SGESR-DC4513-28	28"	87 Lbs.	304 Stainless Steel	10 Pair

BALL BEARING DRAWER SLIDES W/SOFT-CLOSE



Sugatsune ESR-SC4513 Series Stainless Steel Ball Bearing Full Extension Slides w/Soft-Close



- Soft close feature for smooth, silent movement
- Stainless steel runners and ball bearings
- Full extension
- Front disconnect
- Positive stop
- Hold-in detent
- Sold in pairs
- Mount with M4 or #8 Binding, Pan, or Truss head screws
- Screws are not included

Item #	Size	Load Rating Per Pair	Material	Sold In	Box Qty
SGESR-SC4513-16	16"	82 Lbs.	304 Stainless Steel	Pair	10
SGESR-SC4513-18	18"	79 Lbs.	304 Stainless Steel	Pair	10
SGESR-SC4513-20	20"	77 Lbs.	304 Stainless Steel	Pair	10
SGESR-SC4513-22	22"	75 Lbs.	304 Stainless Steel	Pair	10
SGESR-SC4513-24	24"	73 Lbs.	304 Stainless Steel	Pair	10
SGESR-SC4513-26	26"	70 Lbs.	304 Stainless Steel	Pair	10
SGESR-SC4513-28	28"	68 Lbs.	304 Stainless Steel	Pair	10



100 Lb Ball Bearing Full Extension Drawer Slides w/Soft Close



- Side mount ball bearing slide with soft close function - ultra smooth gliding motion with high stability and durability
- 50,000 life cycles under correct installation and normal usage
- Side Space: 13mm (+0.5mm/-0.3mm)
- Height: 45.6mm (1.80")
- Max. Loading: 45kg (100lb)
- Mount: Side-mount type
- Disconnects: Disconnects with release lever
- Material: cold rolled steel

Length	Item #	Box Qty
12"	KNGBBSFT-12B	10
14"	KNGBBSFT-14B	10
16"	KNGBBSFT-16B	10
18"	KNGBBSFT-18B	10

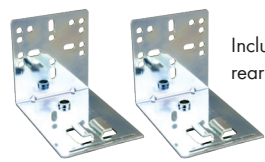
Length	Item #	Box Qty
20"	KNGBBSFT-20B	10
22"	KNGBBSFT-22B	10
24"	KNGBBSFT-24B	10



Brackets (Sold Separately)			
Item #	Description	Sold In	Box Qty
KNGBB-RB	Rear Mounting Bracket	Each	60

A
B
C
D
E
F
G
H
I
J
K
L
M
N
O
P
Q
R
S
T
U
V
W
X
Y

A PRO 500 SERIES UNDERMOUNT DRAWER SLIDES



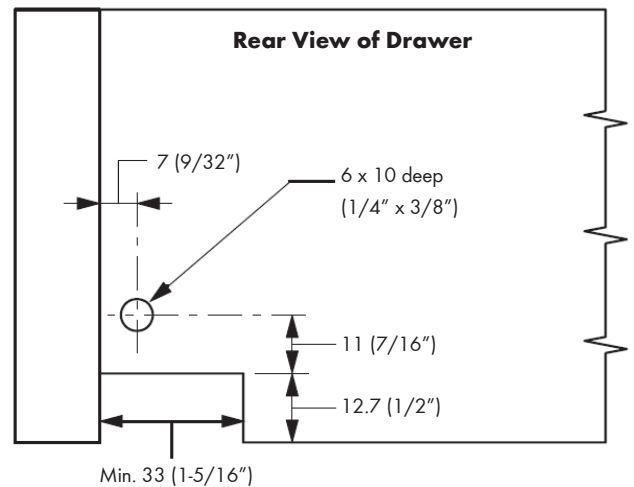
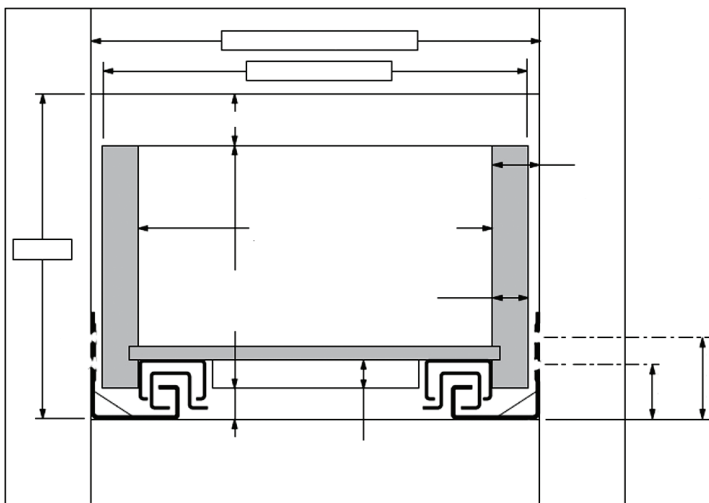
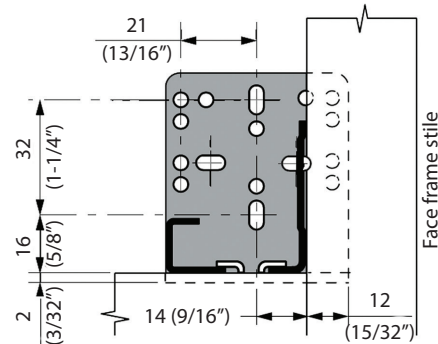
Includes: Slides, front clips and rear sockets.

PRO 500 Series 75 lb. Full Extension Concealed Undermount Drawer Slides



- Type: Soft-Close, Full Extension Concealed Undermount Slides
- Weight Rating: 75 lbs.
- Material: Cold Rolled Steel
- Hole Pattern: 32mm
- Finish: Zinc
- Industry Rated: BHMA, KCMA, BIFMA, ANSI
- Front roller allows for smooth, quiet operation and dramatically reduces deflection when fully extended
- Front clip has a three screw mounting design to allow attachment to front and side of drawer. An optimal fourth hole can be used to attach to drawer bottom when needed
- Soft-close activated at 2 inches
- One item number includes everything (slides, front clips and rear sockets)
- Slotted mounting holes for depth adjustment, ideal for inset applications

Item #	Size	Box Qty
PRO500-12B	12"	6
PRO500-15B	15"	6
PRO500-18B	18"	6
PRO500-21B	21"	6



Use Euro screw or #8 flat head screw for cabinet member installation.

Outside Drawer Dimension					
For drawer side thickness	16 (5/8")	15	14	13	12 (1/2")
Deduct from inside cabinet width	10 (3/8")	13	14	16	18 (23/32")

NOTE: Due to material thickness variance, it is best to work from inside of drawer dimension.

PRO ECO UNDERMOUNT DRAWER SLIDES



PRO ECO Series, 75lb Undermount Full Extension Soft-Closing Drawer Slides



- Weight Rating: 75 lbs.
- Type: Soft Close Full Extension Undermount Slides
- For 1/2" & 5/8" drawers
- Pattern: 32mm
- Mounting: Undermount
- Material: Cold Rolled Steel
- Smooth and silent soft close
- Finish: Bright Zinc

Item #	Length	Box Qty
PROECOUM-12B	12"	6 Pair
PROECOUM-15B	15"	6 Pair
PROECOUM-18B	18"	6 Pair
PROECOUM-21B	21"	6 Pair



PRO ECO Locking Devices, 6-Way Adjustable

- Designed for PRO ECO Series Undermount Drawer Slides
- 6-way adjustable

Item #	Description
PROECOUM-FLD	Left & Right Locking Devices



PRO ECO Rear Mounting Brackets

- Designed for PRO ECO Series Undermount Drawer Slides

Item #	Description
PROECOUM-RB	Rear Mounting Brackets

A
B
C
D
E
F
G
H
I
J
K
L
M
N
O
P
Q
R
S
T
U
V
W
X
Y

A
B
C
D
E
F
G
H
I
J
K
L
M
N
O
P
Q
R
S
T
U
V
W
X
Y

PRO 600 SERIES UNDERMOUNT DRAWER SLIDES



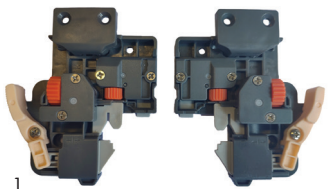
**PRO 600 & 634 Series
100lb. Undermount, Full Extension
with Optional 2-D & 3-D Adjustment Clips**



- Full extension soft-close undermount drawer slides
- Slotted mounting holes for depth adjustment, ideal for inset applications
4-way and 6-way adjustment front locking devices available
- 2D Adjustment: Up/Down 0-3mm, Side-to-Side +/- 1.5mm
- 3D Adjustment: Up/Down 0-3mm, Side-to-Side +/- 1.5mm, Depth 0-3.5mm
- Slides made from cold rolled steel
- 32mm hole pattern
- Zinc finish
- BHMA, KCMA, & BIFMA rated
- 100lb. load rating

**TESTED OVER
100,000 CYCLES
TWICE THE INDUSTRY
STANDARD!**

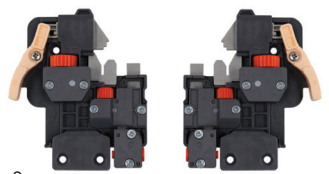
5/8" Material Thickness Item #	3/4" Material Thickness Item #	Length	Box Qty
PRO600-09	PRO634-09B	9"	6
PRO600-12	PRO634-12B	12"	6
PRO600-15	PRO634-15B	15"	6
PRO600-18	PRO634-18B	18"	6
PRO600-21	PRO634-21B	21"	6



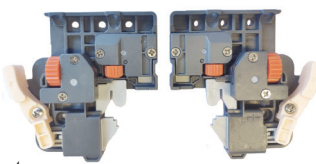
1



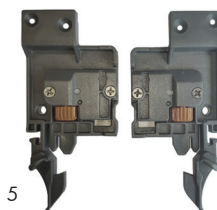
2



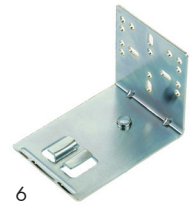
3



4



5



6

PRO600 Accessories

Item #	Description	Box Qty
1	PRO600-FCLIP2D Left/Right 2-D Front Locking Devices	100
2	PRO600-FCLIP2D-NF Left/Right 2-D Front Locking Devices - No Flange	100
3	PRO600-FCLIP3D Left/Right 3-D Front Locking Devices	100
4	PRO600-FCLIP3D-NF Left/Right 3-D Front Locking Devices - No Flange	100
5	PRO600-FCLIPNARROW Narrow Front Locking Devices	100
6	PRO600-RB Rear Metal Face Frame Bracket	200

PRO 600 HEAVY DUTY UNDERMOUNT DRAWER SLIDES



PRO 600 Heavy Duty Undermount Drawer Slides



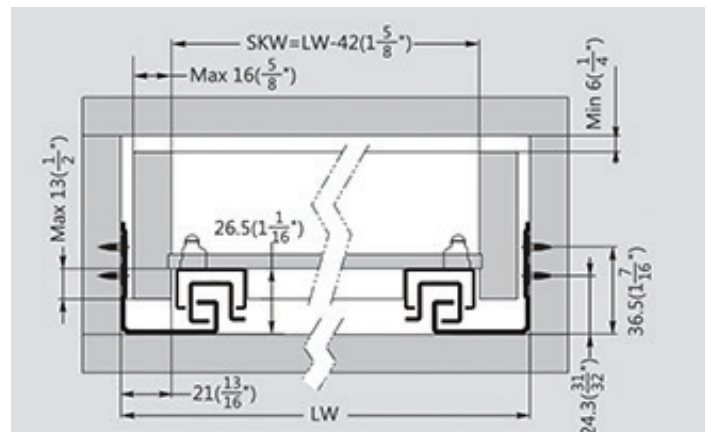
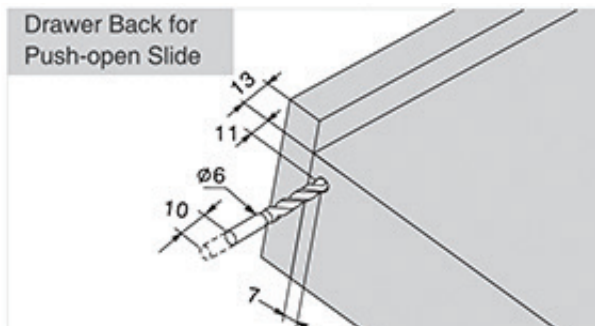
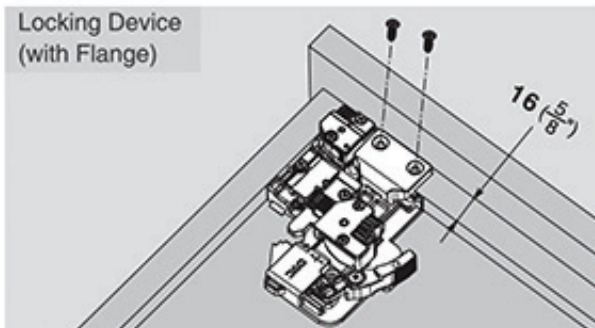
- 150 lb load capacity
- 6-way front clips included with drawer slides
- Available in 3 different lengths
- ANSI/KCMA/BIFMA certified
- Elongated holes for easy installation adjustments
- Bottom roller on cabinet member supports smooth and quiet movement

3-D Front Locking Device



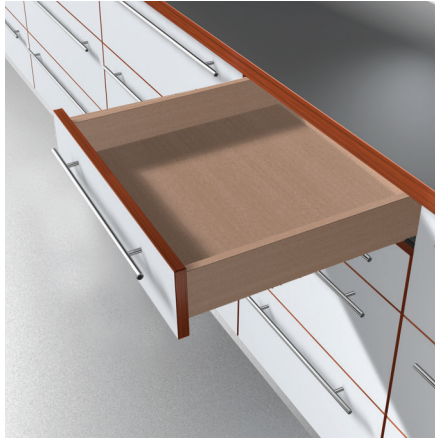
1. Side: +1.5mm
2. Up & Down: 0-3mm
3. Depth: 0-3.5mm

Item #	Description	Full Box Qty
PRO600-24HD	24" Heavy Duty PRO 600 Undermount Slide w/Front Clips	3
PRO600-27HD	27" Heavy Duty PRO 600 Undermount Slide w/Front Clips	3
PRO600-30HD	30" Heavy Duty PRO 600 Undermount Slide w/Front Clips	3



A
B
C
D
E
F
G
H
I
J
K
L
M
N
O
P
Q
R
S
T
U
V
W
X
Y

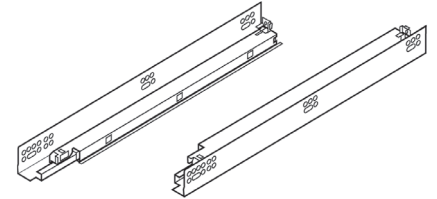
BLUM TANDEM UNDERMOUNT DRAWER SLIDES



TANDEM plus BLUMOTION 563H/563F Series



- Four-dimensional adjustment
- Elongated holes for depth adjustment
- Bottom mount holes for 15", 18", and 21" slides
- 100 lb static/90 lb dynamic load capacity
- Full extension concealed runners
- For face frame or frameless cabinets
- BLUMOTION soft-closing
- TANDEM smooth running action
- Available in 9" to 21" lengths
- Made in the USA

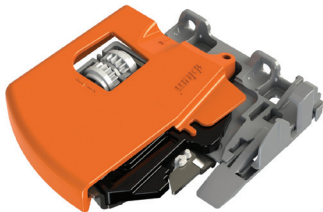


563H 1/2" (13mm) to 5/8" (16mm) Drawer Thickness

Item #	Length	Box Qty
B563H2290B	9"	6
B563H3050B	12"	6
B563H3810B	15"	6
B563H4570B	18"	6
B563H5330B	21"	6

563F 5/8" (16mm) to 3/4" (19mm) Drawer Thickness

Item #	Length	Box Qty
B563F2290B10	9"	6
B563F3050B	12"	6
B563F3810B	15"	6
B563F4570B	18"	6
B563F5330B	21"	6



Standard Locking Devices with Side-to-Side Adjustment

- One right and one left required per drawer
- Captive right and self-aligning left device
- Self-adjusting drawer length tolerance
- Steel base with synthetic, spring-loaded release levers
- Minimum inside drawer width 6-11/16" (170mm)
- Height adjustment +1/8" (3mm)
- Side-to-side adjustment +/- 1/16" (1.5mm)

Item #	Description	Box Qty
BT51.1901R	Right Front Locking Device	100
BT51.1901L	Left Front Locking Device	100

Rear Mounting Bracket for Face Frame Cabinets

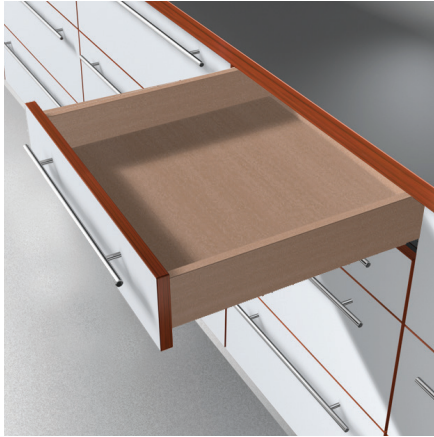
- For use when installing TANDEM in face frame cabinets
- Not necessary for frameless cabinet installation
- Two required per drawer
- Zinc-coated steel



Item #	Box Qty
B295.3750.02	100

BLUM TANDEM UNDERMOUNT DRAWER SLIDES

A
B
C
D
E
F
G
H
I
J
K
L
M
N
O
P
Q
R
S
T
U
V
W
X
Y



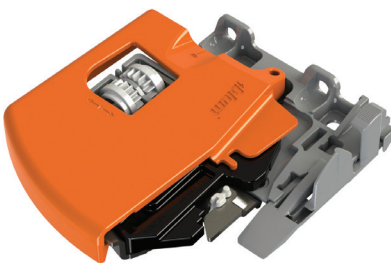
TANDEM plus BLUMOTION 563. Series

- Four-dimensional adjustment
- Elongated holes for depth adjustment
- Bottom mount holes
- 100 lb static/90 lb dynamic load capacity
- Full extension concealed runners
- Frameless or blocked-out face frame cabinets
- BLUMOTION soft closing
- TANDEM smooth running action
- Available in 18" and 21" lengths
- 13mm (1/2") to 16mm (5/8") drawer thickness
- Made in the USA



Item #	Length	Box Qty
B563.4570B	18"	6
B563.5330B	21"	6

NOTE: For 563. series runners, rear brackets and sockets cannot be used. Cabinet sides must be blocked-out flush with the inside of the frame.



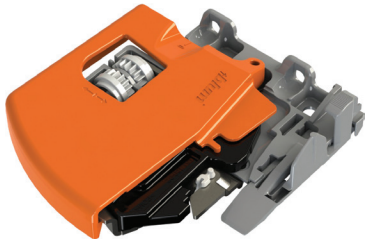
Standard Locking Devices with Side-to-Side Adjustment

- One right and one left required per drawer
- Captive right and self-aligning left device
- Self-adjusting drawer length tolerance
- Steel base with synthetic, spring-loaded release levers
- Minimum inside drawer width 6-11/16" (170mm)
- Height adjustment +1/8" (3mm)
- Side-to-side adjustment +/- 1/16" (1.5mm)

Item #	Description	Box Qty
BT51.1901R	Right Front Locking Device	100
BT51.1901L	Left Front Locking Device	100

A BLUM TANDEM FRONT LOCKING DEVICES

B
C
D
E
F
G
H
I
J
K
L
M
N
O
P
Q
R
S
T
U
V
W
X
Y

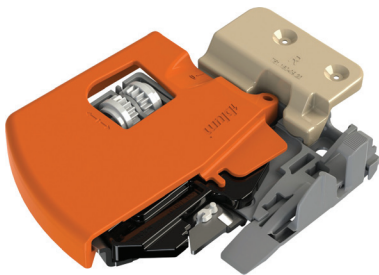


Standard Locking Devices with Side-to-Side Adjustment



- One right and one left required per drawer
- Captive right and self-aligning left device
- Steel base with synthetic, spring-loaded release levers
- Minimum inside drawer width 6-11/16" (170mm)
- Side-to-side adjustment +/- 1/16" (1.5mm)
- Self-adjusting drawer length tolerance
- Height adjustment +1/8" (3mm)

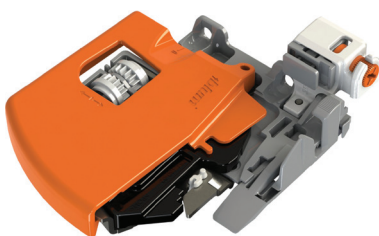
Item #	Description	Box Qty
BT51.1901R	Right Front Locking Device	100
BT51.1901L	Left Front Locking Device	100



Vertical Mount Locking Devices with Side-to-Side Adjustment

- One right and one left required per drawer
- Vertical mount locking device used to minimize sub-front splitting
- Captive right device and self-aligning left device
- Steel base with synthetic, spring-loaded release levers
- Minimum inside drawer width 6-11/16" (170mm)
- Side-to-side adjustment +/- 1/16" (1.5mm)
- Minimum sub-front thickness 5/8" (16mm)
- Designed for 1/2" (13mm) drawer bottom recess
- Self-adjusting drawer length tolerance
- Height adjustment +1/8" (3mm)

Item #	Description	Box Qty
BT51.1901.20R	Right Front Locking Device	100
BT51.1901.20L	Left Front Locking Device	100

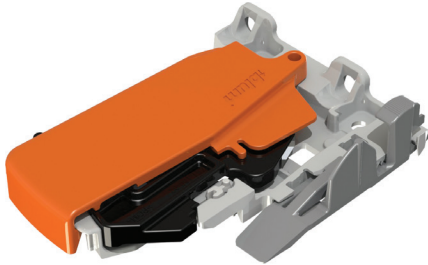


Depth Adjustable Locking Devices with Side-to-Side Adjustment

- One right and one left required per drawer
- Captive right device and self-aligning left device
- Steel base with synthetic, spring-loaded release levers
- Minimum inside drawer width 6-11/16" (170mm)
- Side-to-side adjustment +/- 1/16" (1.5mm)
- Depth adjustment +3/32" (2.5mm), preset at 0
- Minimum sub-front thickness 1/2" (13mm)
- Designed for 1/2" (13mm) drawer bottom recess
- Integrated 1/8" (3mm) distance bumper for inset or overlay SERVO-DRIVE applications
- Self-adjusting drawer length tolerance
- Height adjustment +1/8" (3mm)

Item #	Description	Box Qty
BT51.1901PSR	Right Front Locking Device	100
BT51.1901PSL	Left Front Locking Device	100

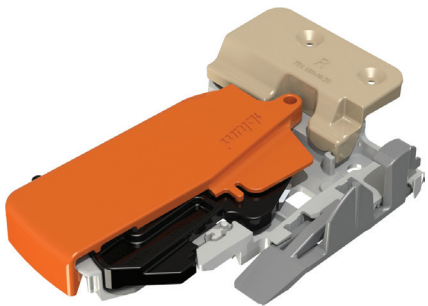
BLUM TANDEM FRONT LOCKING DEVICES



Standard Locking Devices without Side-to-Side Adjustment

- One right and one left required per drawer
- For use with standard applications
- Captive right device and self-aligning left device
- Self-adjusting drawer length tolerance
- Zinc die-cast with synthetic, spring-loaded release levers
- Minimum inside drawer width 4-7/8" (124mm)
- Height adjustment +1/8" (3mm)

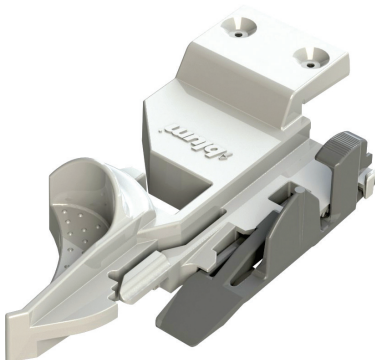
Item #	Description	Box Qty
BT51.1801R	Right Front Locking Device	300
BT51.1801L	Left Front Locking Device	300



Vertical Mount Locking Devices without Side-to-Side Adjustment

- Vertical mount locking device used to minimize sub-front splitting
- Captive right device and self-aligning left device
- Self-adjusting drawer length tolerance
- Zinc die-cast with synthetic, spring-loaded release levers
- Minimum inside drawer width 4-7/8" (124mm)
- Height adjustment +1/8" (3mm)
- Minimum sub-front thickness 5/8" (16mm)
- Designed for 1/2" (13mm) drawer bottom recess

Item #	Description	Box Qty
BT51.1801.20R	Right Front Locking Device	300
BT51.1801.20L	Left Front Locking Device	300



Narrow Drawer Locking Devices

- One right and one left required per drawer
- For use with narrow drawers
- Maximum dynamic load capacity 25 lb
- Captive right device and self-aligning left device
- Self-adjusting drawer length tolerance
- Vertical mount, two-piece nylon
- Minimum inside drawer width 3-3/4" (95mm)
- Height adjustment +1/8" (3mm)
- Minimum sub-front thickness 5/8" (16mm)
- Designed for 1/2" (13mm) drawer bottom recess

Item #	Description	Box Qty
BT51.0801.20R	Right Front Locking Device	100
BT51.0801.20L	Left Front Locking Device	100

A BLUM TANDEM REAR ATTACHMENT OPTIONS

Screw-on Bracket

- Two required per drawer
- For TANDEM 563 H/F series runners only
- Lateral self-alignment 1/8" (3mm)
- Non-handed, one-piece stamped steel design, zinc-coated
- Use at least three #6 wood screws
- Not for use with 9" runners

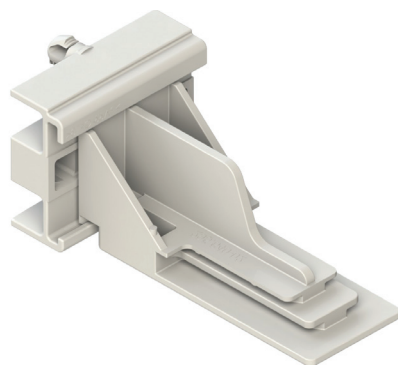


Item #	Box Qty
B295.3750.02	100


Narrow Screw-On Bracket

- Two required per drawer
- For applications with side recess space limitations (end panel)
- Maximum dynamic load capacity 45 lb
- Lateral self-alignment 1/8" (3mm)
- Non-handed, one-piece stamped steel design, zinc-coated
- Maximum inside cabinet depth is 19/32" (15mm) less than B295.3750.02 allows
- Use at least three #6 wood screws
- Not for use with 9" runners

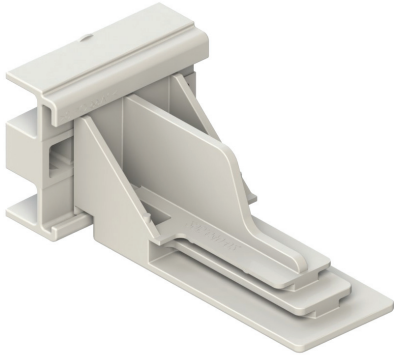
Item #	Box Qty
B295.3550	100


Plug-in Socket

- Two required per drawer
- For TANDEM 563 H/F series runners only
- Lateral self-alignment feature
- Non-handed, two-piece design
- Synthetic, natural color
- Non-detachable 5/16" (8mm) dowels, 3/8" (9.5mm) long
- (1/4") minimum back panel thickness
- Use at least two #6 flat head wood screws
- Not for use with 9" runners

Item #	Box Qty
B295.6410	125

BLUM TANDEM REAR ATTACHMENT OPTIONS



Screw-on Socket

- Two required per drawer
- For TANDEM 563 H/F series runners only
- Lateral self-alignment
- Non-handed, two-piece design
- Synthetic, natural color
- Use two #6 flat head wood screws
- Not for use with 9" runners

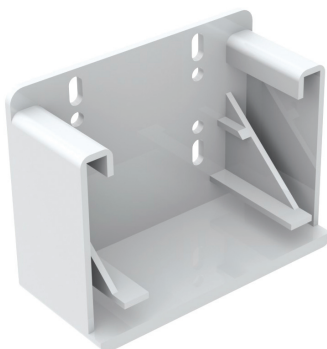
Item #	Box Qty
B295.6400	125



Screw-on Socket for 9" TANDEM plus BLUMOTION Runners

- For TANDEM 563 H/F series 9" runners only
- For use only when installing 9" runners in face frame cabinets
- For inside cabinet depths 10-15/32" (266mm) to 11-3/32" (282mm)
- Minimum opening width 6-5/32" (156mm)
- Lateral self-alignment
- Non-handed, one piece design
- Synthetic, natural color
- Use at least three #6 wood screws

Item #	Box Qty
B295.3700.21	100



Screw-on Socket for 9" TANDEM plus BLUMOTION Runners

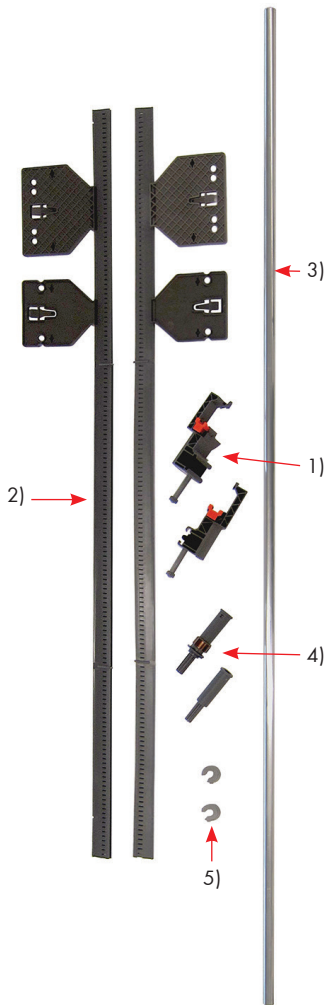
- For TANDEM 563 H/F series 9" runners only
- For use only when installing 9" runners in face frame cabinets
- For inside cabinet depths 11-5/32" (283mm) to 11-25/32" (299mm)
- Minimum opening width 6-5/32" (156mm)
- Lateral self-alignment
- Non-handed, one piece design
- Synthetic, natural color
- Use at least three #6 wood screws

Item #	Box Qty
B295.3700.22	100

A
B
C
D
E
F
G
H
I
J
K
L
M
N
O
P
Q
R
S
T
U
V
W
X
Y

A BLUM TANDEM UNDERMOUNT DRAWER SLIDES

B
C
D
E
F
G
H
I
J
K
L
M
N
O
P
Q
R
S
T
U
V
W
X
Y



Lateral Stabilizer for 563 Series



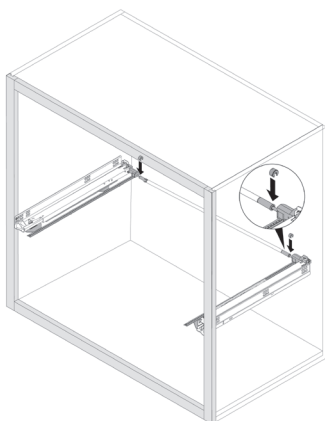
- Increases lateral stability
- Synchronizes left and right runners to prevent drawer racking
- Ideal for wide applications using TANDEM 563H/563./563F Series
- Does not increase load capacity
- Frameless and blocked-out face frame applications 9" (229mm) to 27" (686mm) length drawers
- Face frame applications with rear attachment 12" (305mm) to 21" (533mm) length drawers
- Recommended for opening widths 24" (610mm) and wider

Set includes:

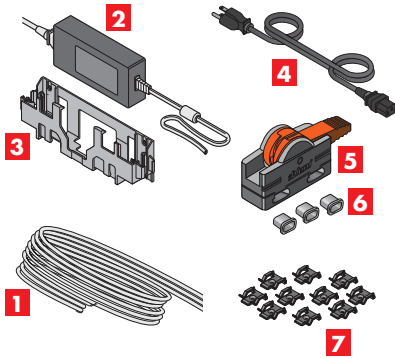
1. Pinion housing (qty 2)
2. Gear rack with locating tabs (qty 2)
3. Linkage rod, 41-1/2" (1054mm) length
4. Pinion adapter (qty 2)
5. Locking clip (qty 2)

Installation sheet

Item #	Box Qty
BZST.686TU.01	10



BLUM SERVO-DRIVE FOR TANDEM PLUS BLUMOTION



Power Supply Set

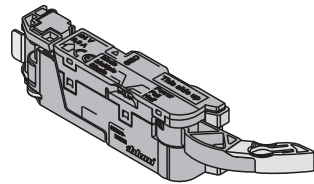
- Supplies power to the drive units

Set Includes:

1. 19 ft universal cable
2. 24 watt power supply
3. Wall mount bracket
4. Three-prong cord
5. INSERTA cable connector
6. Cable end protectors (qty 3)
7. Cable clips (qty 10)

Also includes installation template, instructions, and user manual

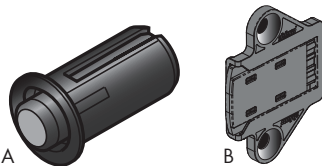
Item #
BZ10NE03UG10



Drive Unit

- Nylon
- Dust gray finish

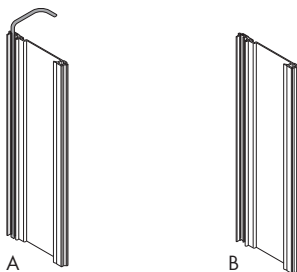
Item #
BZ10A3000.03



Distance Bumpers

- Provides 1/8" (3mm) gap

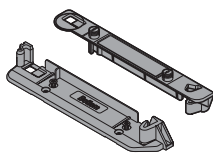
	Item #	Description
A	B993.0531	5mm Bumper
B	B993.1220	Screw-on Bumper



Vertical Aluminum Profile

- Can be cut to size

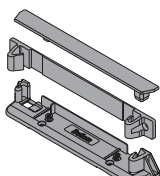
	Item #	Description
A	BZ10T720AB	Profile w/cable, length 28-3/8" (720mm) - cable length 31-1/2" (800mm)
B	BZ10T1170A	Profile without cable, length 46" (1170mm)



Top and Bottom Adapter Set

- For use with horizontal stretcher rail

Item #
BZ10D01E0



Back and Bottom Adapter Set

- For use with back stretcher rail

Item #
BZ10D01EA

A
B
C
D
E
F
G
H
I
J
K
L
M
N
O
P
Q
R
S
T
U
V
W
X
Y

BLUM SERVO-DRIVE FOR TANDEM PLUS BLUMOTION

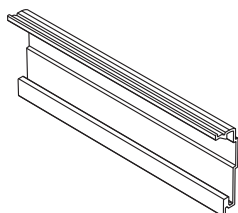


SERVO-DRIVE Locking Device with Integrated Bumper



- One right and one left required per drawer
- Captive right device and self-aligning left device
- Self-adjusting drawer length tolerance
- Steel base with synthetic, spring-loaded release levers
- Minimum inside drawer width 6-11/16" (170mm)
- Height adjustment +1/8" (3mm)
- Side-to-side adjustment +/- 1/16" (1.5mm)
- Depth adjustment +3/32" (2.5mm), preset at 0
- Minimum sub-front thickness 1/2" (13mm)
- Designed for 1/2" (13mm) drawer bottom recess
- Integrated 1/8" (3mm) distance bumper for inset or overlay SERVO-DRIVE applications

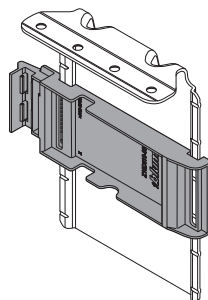
Item #	Description	Box Qty
BT51.1901PSR	Right Front Locking Device	100
BT51.1901PSL	Left Front Locking Device	100



Horizontal Aluminum Profile

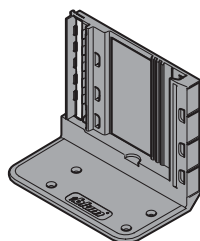
- Profile length 45" (1143mm) cut to size

Item #
BZ10T1143B



Top Bracket with Adapter

Item #
BZ10D6252



Bottom Bracket

- 31-1/2" (800mm) universal cable is included

Item #
BZ10D7201

BLUM SERVO-DRIVE FOR TANDEM PLUS BLUMOTION



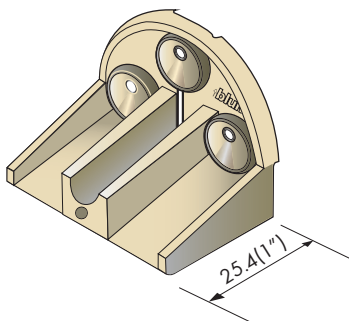
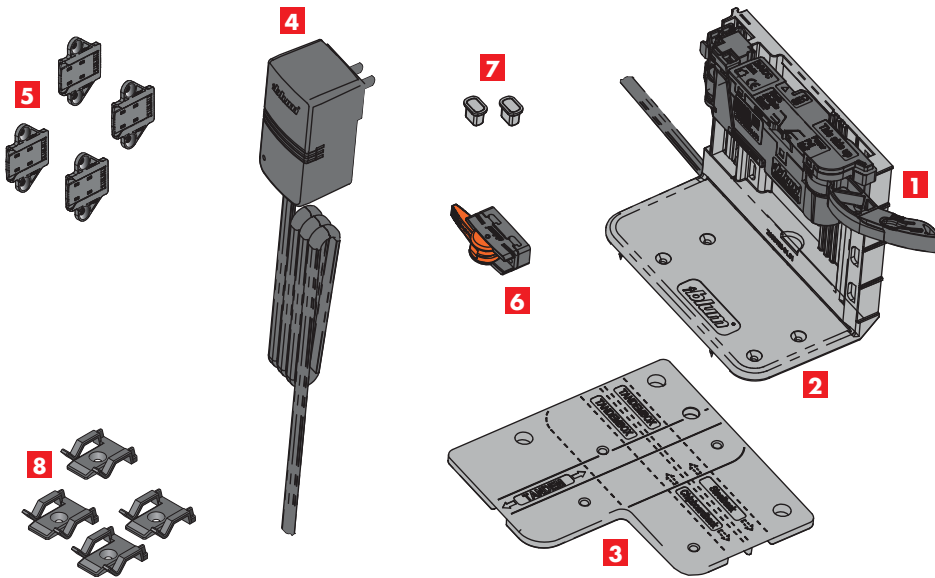
SERVO-DRIVE Waste/Recycle Set



Set Includes:

1. Drive unit (pre-attached)
 2. Double bottom bracket with #6 x 1" wood screws (qty 2)
 3. Cable clips (qty 4)
 4. Adapter plate
 5. INSERTA cable connector
 6. Screw-on distance bumpers (qty 4) with #6 x 5/8" wood screws for installation (qty 8)
 7. 110 volt plug-in power supply with six feet of universal cable
 8. Cable end protectors (qty 2)
- Installation template, instructions, and user manual

Item #
BZ10NA30UGUS



TANDEM Inset Spacer

- For applications where there would not be enough space behind the drawer box to add SERVO-DRIVE due to cabinet construction, plumbing, etc.
- Two required per drawer

Item #
BT59.A5PO

A
B
C
D
E
F
G
H
I
J
K
L
M
N
O
P
Q
R
S
T
U
V
W
X
Y

A BLUM SERVO-DRIVE FOR TANDEM PLUS BLUMOTION

B
C
D
E
F
G
H
I
J
K
L
M
N
O
P
Q
R
S
T
U
V
W
X
Y

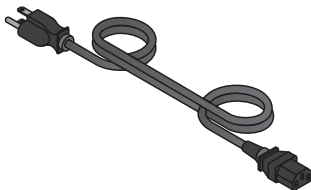


SERVO-DRIVE Power Supply

- Supplies power to the drive units
- Energy Star Level VI
- UL Certified
- Can power up to 50 drive units
- Connect to switched GFCI outlet
- 6 ft cable length
- Three-prong power cord required



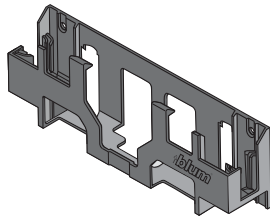
Item #
BZ10NE030G



Power Cord with Three-Prong Plug

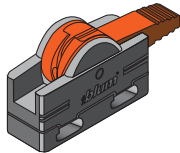
- Must be plugged into a switched GFCI outlet

Item #
BZ10M200U



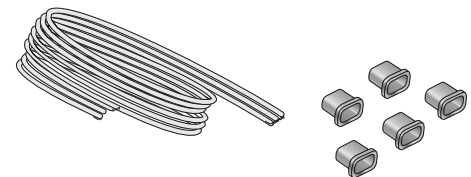
Wall Mount Bracket for Power Supply

Item #
BZ10NG100



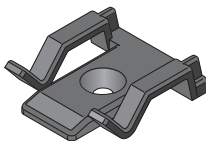
Inserta Cable Connector

Item #
BZ10V1000



Universal Cable

- 26 ft length with five cable end protectors

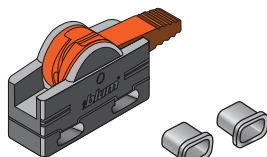


Cable Clip

- Adhesive back and/or screw-on

Item #
BZ10K800AE

Item #
BZ10K0009

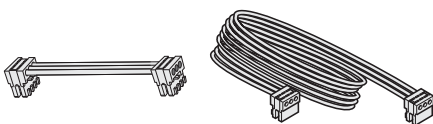


INSERTA Cable Connector Set

Set Includes:

- INSERTA cable connector
- Cable end protector (qty 2)

Synchronization Cables



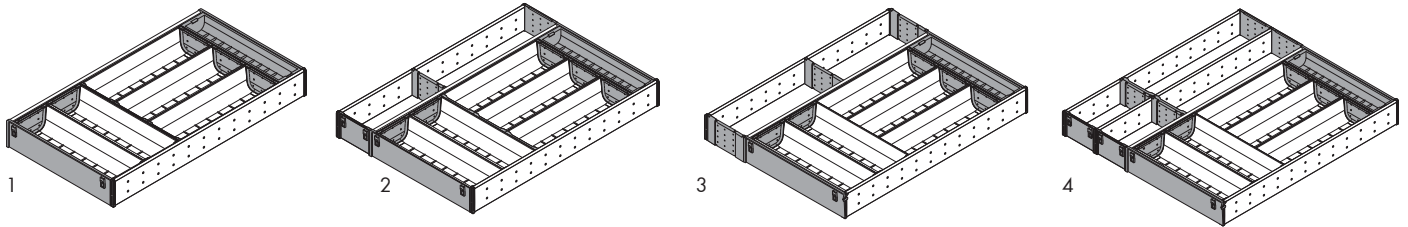
Item #	Description
BZ10K008S	3" (80mm) synchronization cable
BZ10K120S	4' (1200mm) synchronization cable

BLUM TANDEM ORGA-LINE

ORGA-LINE



- Adjustable organization solution for wood drawers that ideal for storing items in the kitchen and through the home
- Spring loaded compensation tray and side rails ensure that each kit will fit into an inside drawer length from 19-1/4" to 20"
- Removable trays are made of high quality nylon and stainless steel
- Dishwasher safe up to 170° F



Flatware - For 21" Drawers

Item #	Width	Height
1 BZHI.533BI3A	11-1/4" (285mm)	2-5/8" (66mm)
2 BZHI.533KI4A	15" (381mm)	2-5/8" (66mm)
3 BZHI.533TI4A	15-11/16" to 16-7/16" (399mm to 417mm)	2-5/8" (66mm)
4 BZHI.533TI5A	18-3/4" to 19-7/16" (477mm to 494mm)	2-5/8" (66mm)



Cutlery Sets - For 21" Drawers

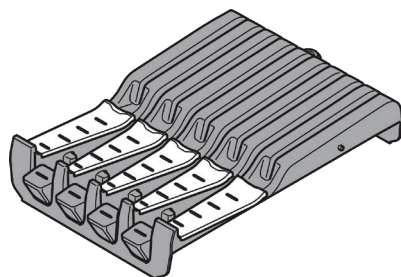
Item #	Width	Height
1 BZHI.533BI1A	4-1/4" (108mm)	2-5/8" (66mm)
2 BZHI.533MI3A	11-7/8" (302mm)	2-5/8" (66mm)



Utensils - For 21" Drawers

Item #	Width	Height
1 BZHI.533FI1A	4-1/4" (108mm)	2-5/8" (66mm)
2 BZHI.533FI3A	11-9/16" (294mm)	2-5/8" (66mm)

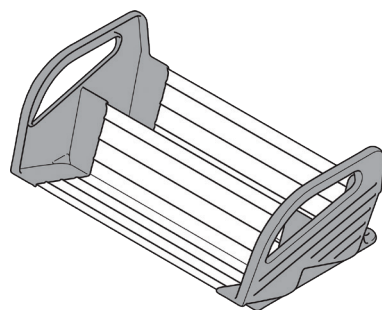
A
B
C
D
E
F
G
H
I
J
K
L
M
N
O
P
Q
R
S
T
U
V
W
X
Y

A BLUM TANDEM ORGA-LINE

ORGA-LINE Knife Holder

- Length 11-1/8" (282mm)
- Width 7" (178mm)
- Height 2-3/16" (56mm)
- Holds up to nine knives of different sizes
- High quality nylon and stainless steel
- Dishwasher safe up to 170°F
- Handle support (qty 4)


Item #

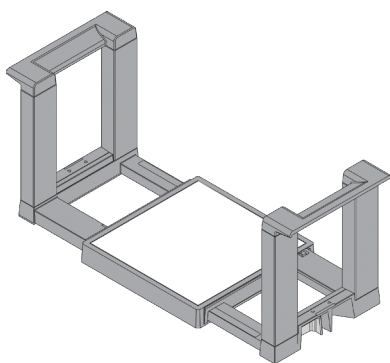
BZSZ.02MO


ORGA-LINE Spice Tray

- Width 11-1/8" (282mm) - Inside storage width 10-1/4" (260mm)
- Height 4-3/4" (121mm)
- Easy removal from drawer
- High quality nylon and stainless steel
- Set includes two trays and four feet

Item #

BZfZ.38G0IHGL

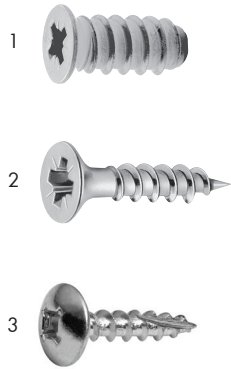

ORGA-LINE Plate Holder

- Plate diameter 6-9/16" to 12-5/16" (167mm to 312mm)
- Overall width 9-3/4" to 15-7/16" (247mm to 392mm)
- Overall height 6-11/16" (170mm)
- Holds up to 12 plates
- Non-slip bottom
- High quality nylon and stainless steel

Item #

BZC7T0350-GR

BLUM TANDEM ACCESSORIES



Wood & Euro Screws



	Item #	Description	Box Qty
1	B661.1000.HG	6.1mm x 10mm, #2 POZI	1,000
	B661.1150.HG	6.1mm x 11.5mm, #2 POZI	1,000
	B661.1300.HG	6.1mm x 13mm, #2 POZI	1,000
	BSS-14.5MM	6.1mm x 14.5mm, #2 POZI	1,000
	B661.2000.HG	6.1mm x 20mm, #2 POZI	1,000
	B661.2500.HG	6.1mm x 25mm, #2 POZI	1,000
2	B606P-1000	#6 x 5/8", #2 POZI	1,000
3	B612TH	#6 x 1/2", #2 POZI Truss Head	1,000



Pozi Driver and Bits

Item #	Description
BPD	#2 POZI Driver
B2X1POZIBIT	#2 x 1" POZI bit insert



Side Spacer

- For spacing our TANDEM runners from the cabinet side for clearance in interior roll-out applications
- 1" thick

Item #	Box Qty
BT59.3570	100



TANDEM End Caps

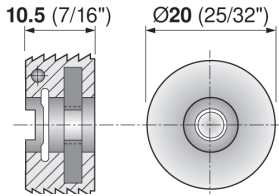
- To cover the front edge of TANDEM runners when used in an interior roll-out application
- Can be used with TANDEM 563/H/F runners

Item #	Description	Box Qty
B295.5520R	Right End Cap	500
B295.5520L	Left End Cap	500

A
B
C
D
E
F
G
H
I
J
K
L
M
N
O
P
Q
R
S
T
U
V
W
X
Y

A BLUM TANDEM ACCESSORIES

B
C
D
E
F
G
H
I
J
K
L
M
N
O
P
Q
R
S
T
U
V
W
X
Y

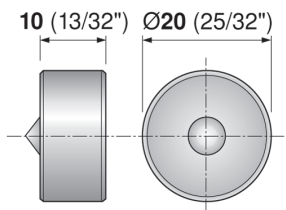


Drawer Front Adjusters

- Nylon housing with pre-mounted 8-32 steel nut
- For four-sided drawers
- Adjusts height and side-to-side by 3/16" (5mm)



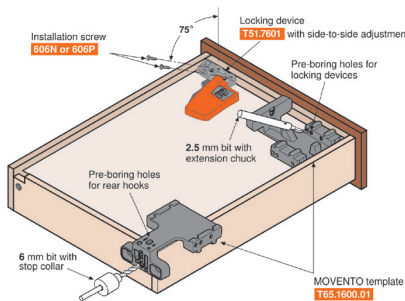
Item #	Box Qty
B295.100	1,000



Marking Gauge

- For marking center holes for knock-in drawer front adjusters
- For wooden 3-sided drawers

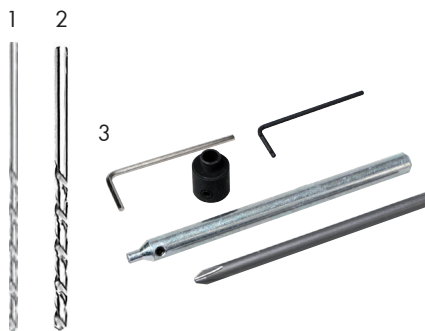
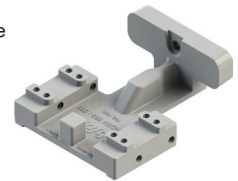
Item #	Box Qty
B65.2950	10



Concealed Runner Template

- Essential tool for drawers using any series TANDEM runners
- To bore 6mm holes for rear hooks
- Pre-bore 2.5mm hole for TANDEM locking devices at the required angle

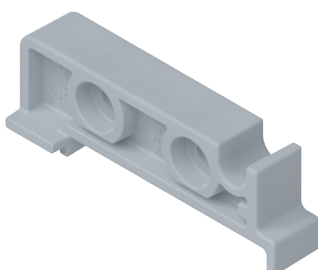
Item #
BT65.1600.01



Concealed Runner Template Accessories

Item #	Description
1	BDB-2.5mm 2.5mm Drill Bit RH
2	BDB-6mm 6mm Drill Bit RH
3	BT65.9000 Tool Set*

* Set includes 2.5mm drill bit extension, 6mm stop collar, #2 Phillips screwdriver tip, and allen wrenches



Roll-out Shelf Rear Mounting Block

- Eliminates the need to edge bore holes for hooks on roll-outs
- Attach rear mounting block to the back of the shelf instead of notching and boring

Item #
BT51.7000

BLUM TANDEM ASSEMBLY AIDS



Universal Individual Template



- For pre-boring MOVENTO and TANDEM drawer runners
- Also used for marking/pre-boring other Blum drawer systems, AVENTOS locating pins, hinge mounting plates, BLUMOTION adapters, and TIP-ON adapters
- Calibrated scales for accurate setting
- Set Includes: Universal individual template, 2.5mm and 5mm stop collars, allen wrench

Item #
B65.1051.02

A
B
C
D
E
F
G
H
I
J
K
L
M
N
O
P
Q
R
S
T
U
V
W
X
Y



Cabinet Profile Template Set

- Used for pre-boring holes for MOVENTO and TANDEM drawer runners
- Also used for marking/pre-boring other Blum drawer systems, AVENTOS locating pins and hinge mounting plates

***Set Includes:**

- Rail, 1 meter long
- Replacement template (qty 4)
- 2.5mm stop collar
- 5mm stop collar
- Allen wrench

Item #	Description
B65.1000.01	Cabinet Profile Template*
BDB-2.5MM	2.5mm Drill Bit
BDB-5MM	5mm Drill Bit



A
B
C
D
E
F
G
H
I
J
K
L
M
N
O
P
Q
R
S
T
U
V
W
X
Y

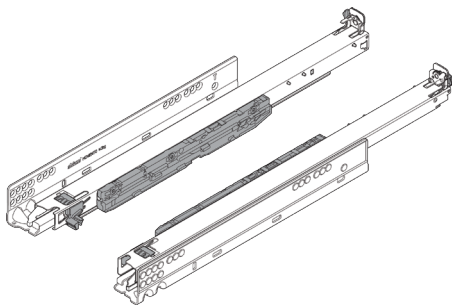
BLUM MOVENTO DRAWER SYSTEMS



MOVENTO 763H Standard Duty Drawer Slides

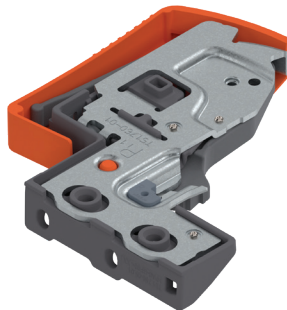


- Four-dimensional adjustment
- Elongated holes for depth adjustment
- 125 lb static load capacity
- Face frame or frameless cabinets
- Smooth running action
- Available in 12" to 21" lengths
- 1/2" (13mm) to 5/8" (16mm) drawer thickness
- Compatible with TIP-ON BLUMOTION and SERVO-DRIVE
- Bottom mount holes
- Full extension concealed runners
- BLUMOTION soft closing



MOVENTO 763H Drawer Slides

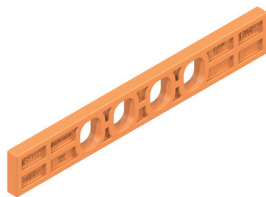
Item #	Length	Box Qty
B763H3050S	12"	6
B763H3810S	15"	6
B763H4570S	18"	6
B763H5330S	21"	6



Standard Locking Device with Side-to-Side Adjustment

- One right and one left required per drawer
- Self-adjusting drawer length tolerance
- Steel base with synthetic, spring-loaded release levers
- Minimum inside drawer width 6-11/16" (170mm)
- Side-to-side adjustment +/- 1/16" (1.5mm)
- Captive right and self-aligning left device
- For use with MOVENTO runners only

Item #	Description	Box Qty
BT51.7601R	Right front locking device	100
BT51.7601L	Left front locking device	100



Locking Device Spacer for Thin Fronts

- Works with MOVENTO locking devices
- 15/32" (12mm) and 1/2" (13mm) sub-fronts only

Item #
BT59.K010M



Rear Mounting Brackets for Face Frame Cabinets

- For use when installing MOVENTO runners in face frame cabinets
- Not necessary for frameless cabinet installation
- Two required per drawer
- Depth and lateral self-alignment
- Zinc-coated steel
- Not for use with TIP-ON BLUMOTION

Item #	Box Qty
B295.3750.02	100

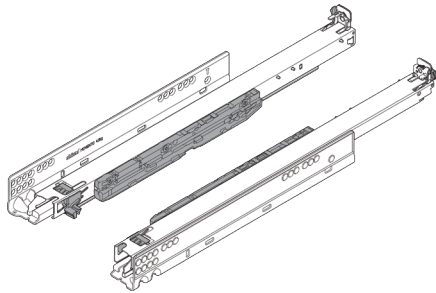
BLUM MOVENTO DRAWER SYSTEMS



MOVENTO 763 Standard Duty Drawer Slides



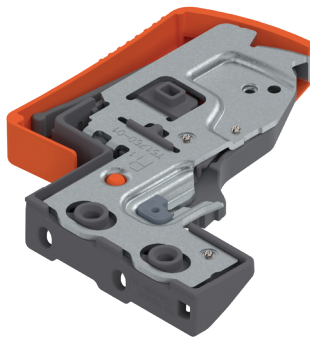
- Four-dimensional adjustment
- Elongated holes for depth adjustment
- Bottom mount holes
- 125 lb static load capacity
- Full extension concealed runners
- Frameless or blocked-out face frame cabinets
- BLUMOTION soft closing
- Smooth running action
- Available in 12" to 21" lengths
- 1/2" (13mm) to 5/8" (16mm) drawer thickness
- Compatible with TIP-ON BLUMOTION and SERVO-DRIVE



MOVENTO 763 Drawer Slides

Item #	Length	Box Qty
B763.3050S	12"	6
B763.3810S	15"	6
B763.4570S	18"	6
B763.5330S	21"	6

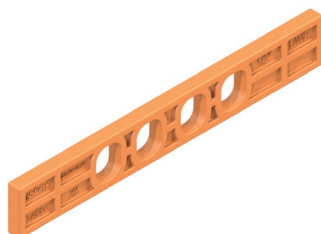
NOTE: For 763. series runners, rear brackets and sockets cannot be used. Cabinet sides must be blocked-out flush with the inside of the frame.



Standard Locking Device with Side-to-Side Adjustment

- One right and one left required per drawer
- Captive right and self-aligning left device
- Self-adjusting drawer length tolerance
- Steel base with synthetic, spring-loaded release levers
- Minimum inside drawer width 6-11/16" (170mm)
- Side-to-side adjustment +/- 1/16" (1.5mm)
- For use with MOVENTO runners only

Item #	Description	Box Qty
BT51.7601R	Right front locking device	100
BT51.7601L	Left front locking device	100



Locking Device Spacer for Thin Fronts

- Works with MOVENTO locking devices
- 15/32" (12mm) and 1/2" (13mm) sub-fronts only

Item #
BT59.K010M

A
B
C
D
E
F
G
H
I
J
K
L
M
N
O
P
Q
R
S
T
U
V
W
X
Y

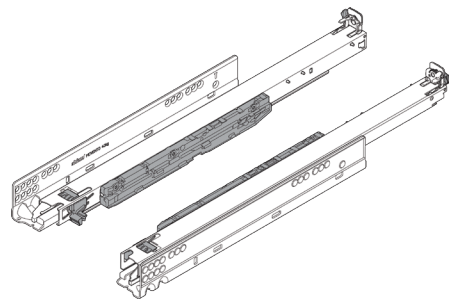
BLUM MOVENTO DRAWER SYSTEMS



MOVENTO 769 Heavy Duty Drawer Slides



- Four-dimensional adjustment
- Elongated holes for depth adjustment
- 170 lb static load capacity
- Full extension concealed runners
- Frameless or blocked-out face frame cabinets
- BLUMOTION soft closing
- Smooth running action
- Available in 18" to 30" lengths
- 1/2" (13mm) to 5/8" (16mm) drawer thickness
- Compatible with TIP-ON BLUMOTION and SERVO-DRIVE



MOVENTO 769. Heavy Duty Slides

Item #	Length	Box Qty
B769.4570S	18"	6
B769.5330S	21"	6
B769.6100S	24"	6
B769.6860S	27"	4
B769.7620S	30"	4

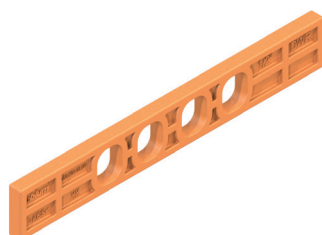
NOTE: For 769. series runners, rear brackets and sockets cannot be used. Cabinet sides must be blocked-out flush with the inside of the frame.



Standard Locking Device with Side-to-Side Adjustment

- One right and one left required per drawer
- Captive right and self-aligning left device
- Self-adjusting drawer length tolerance
- Steel base with synthetic, spring-loaded release levers
- Minimum inside drawer width 6-11/16" (170mm)
- Side-to-side adjustment +/- 1/16" (1.5mm)
- For use with MOVENTO runners only
- Packed in full boxes of 100. Available any quantity

Item #	Description	Box Qty
BT51.7601R	Right front locking device	100
BT51.7601L	Left front locking device	100



Locking Device Spacer for Thin Fronts

- Works with MOVENTO locking devices
- 15/32" (12mm) and 1/2" (13mm) sub-fronts only

Item #
BT59.K010M

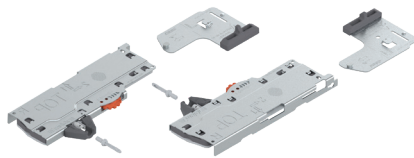
BLUM MOVENTO DRAWER SYSTEMS



TIP-ON BLUMOTION for MOVENTO



- Enables MOVENTO drawers to be opened with just a light touch of the drawer front
- Same installation dimensions as MOVENTO
- Fully mechanical motion
- Smooth running action
- Four-dimensional adjustment
- Load capacity of runner remains unchanged
- Can be used with or without pulls
- Frameless or blocked out face frame applications



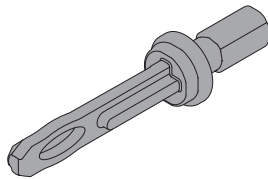
TIP-ON BLUMOTION Unit & Triggers

Sets Include:

- Left and right TIP-ON units and triggers
- Two synchronization adapters

Drawer Length	S1 (0 - 44 lb)	L1 (0 - 44 lb)	L3 (44 - 88 lb)	L5 (88 - 155 lb)
30"	—	—	—	BT60L7570
27"	—	—	—	BT60L7570
24"	—	—	—	BT60L7570
21"	—	BT60L7340	BT60L7540	BT60L7570
18"	—	BT60L7340	BT60L7540	BT60L7570
15"	—	BT60L7340	BT60L7540	—
12"	BT60L7140	—	—	—

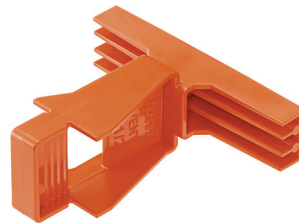
Required Parts



Synchronization Adapters

- To be used with the T60L1118W synchronization rod

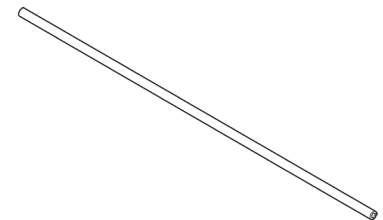
Item #
BT60.000D



TIP-ON BLUMOTION for MOVENTO Front Gap Template

- For creating a 1/8" (3.5mm) front gap
- For use with TIP-ON BLUMOTION for MOVENTO only
- Not for use with 769R series runners

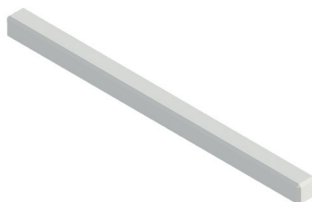
Item #
B65.5632.US



Synchronization Rod

- Recommended for all cabinet widths for optimal function
- Opening width: 12-3/8" (314mm) minimum, 54-1/2" (1385mm) maximum
- Length 44-1/32" (1118mm), cut to size

Item #
BT60L1118W



TIP-ON BLUMOTION Synchronization for Narrow Applications

- Opening width: 11-1/16" (281mm) minimum, 12" (305mm) maximum
- Length 2-1/2" (64mm), cut to size

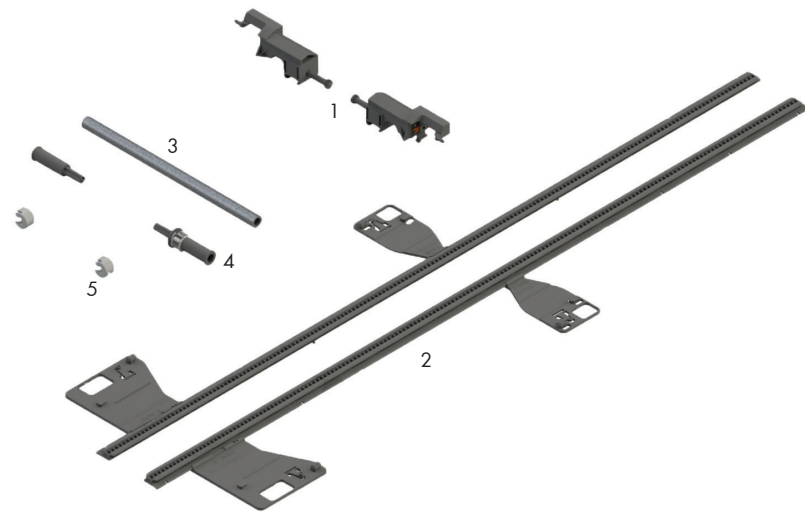
Item #
BT60.300D

A BLUM MOVENTO DRAWER SYSTEMS

B Lateral Stabilizer for MOVENTO 763H/763. and 769. Series



- Synchronizes left and right runners to prevent drawer racking and increases lateral stability
- Ideal for wide applications using MOVENTO
- Does not increase load capacity
- Frameless and blocked-out face frame applications 12" (305mm) to 27" (686mm) drawers
- Recommended for opening widths 24" (610mm) and wider



Lateral Stabilizer Set

Set Includes:

1. Pinion housing (qty 2)
2. Gear rack with locating tabs (qty 2)
3. Linkage rod, 41-3/8" (1051mm) length
4. Pinion adapter (qty 2)
5. Locking clip (qty 2)

Also includes installation instructions

Item #

BZS7M686MU-GR

O Optional Add-On Depth Adjustment without TIP-ON BLUMOTION

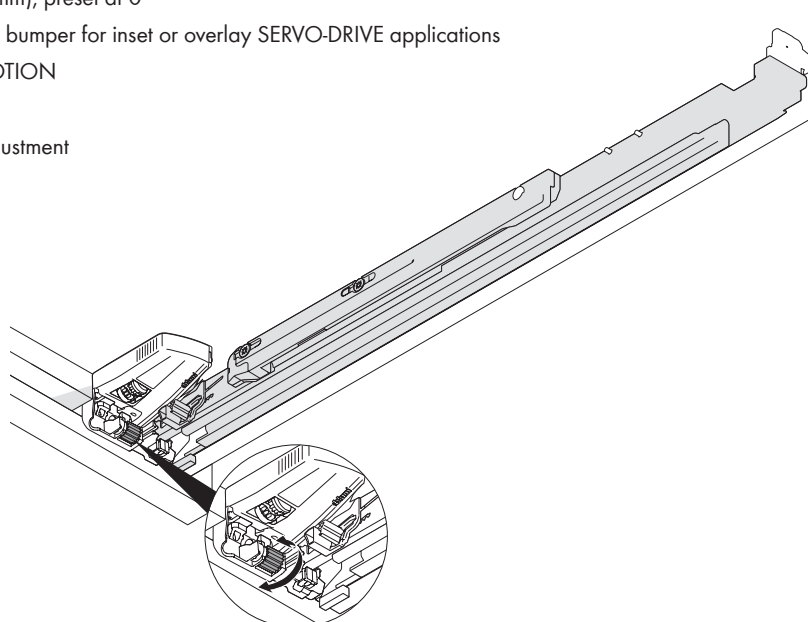
- Uses the same 763 or 769 runner
- Requires increased setback of the runner
- 763H/763. and 769. frame applications require blocking-out behind the face frame
- Depth adjustment +/- 3/32" (2mm), preset at 0
- Integrated 1/8" (3mm) distance bumper for inset or overlay SERVO-DRIVE applications
- Not for use with TIP-ON BLUMOTION

Set Includes:

- Right and left add-on depth adjustment
- Installation instructions

Item #

B298.7600



BLUM MOVENTO DRAWER SYSTEMS

A
B
C
D
E
F
G
H
I
J
K
L
M
N
O
P
Q
R
S
T
U
V
W
X
Y

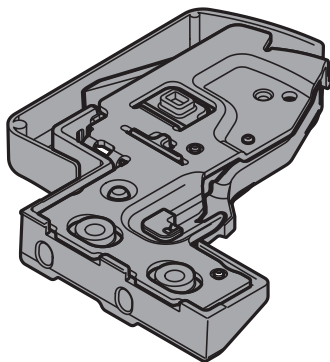


Standard Locking Device with Side-to-Side Adjustment



- One right and one left required per drawer
- Captive right and self-aligning left device
- Steel base with synthetic, spring-loaded release levers
- Minimum inside drawer width 6-11/16" (170mm)
- Side-to-side adjustment +/- 1/16" (1.5mm)
- For use with MOVENTO runners only
- Self-adjusting drawer length tolerance

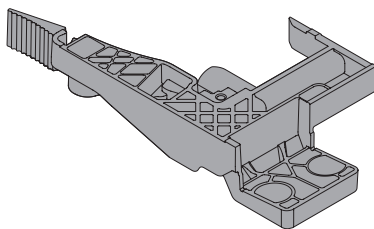
Item #	Description	Box Qty
BT51.7601R	Right front locking device	100
BT51.7601L	Left front locking device	100



Vertical Mount Locking Device with Side-to-Side Adjustment

- One right and one left required per drawer
- Captive right and self-aligning left device
- Steel base with synthetic, spring-loaded release levers
- Minimum inside drawer width 6-11/16" (170mm)
- Side-to-side adjustment +/- 1/16" (1.5mm)
- Minimum sub-front thickness 5/8" (16mm)
- Designed for 1/2" (13mm) drawer bottom recess
- Used to minimize sub-front splitting
- Self-adjusting drawer length tolerance

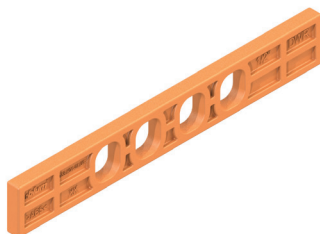
Item #	Description	Box Qty
BT51.7601.20R	Right front locking device	100
BT51.7601.20L	Left front locking device	100



Narrow Drawer Locking Devices

- One right and one left required per drawer
- Maximum dynamic load capacity 25 lb
- Self-adjusting drawer length tolerance
- Minimum inside drawer with 3-3/4" (95mm) without TIP-ON BLUMOTION
- Minimum sub-front thickness 5/8" (16mm)
- Designed for 1/2" (13mm) drawer bottom recess
- For use with narrow drawers
- Captive right and self-aligning left device
- Vertical mount, two-piece nylon

Item #	Description	Box Qty
BT51.0501.20R	Right front locking device	100
BT51.0501.20L	Left front locking device	100



Locking Device Spacer for Thin Fronts

- Works with MOVENTO locking devices
- 15/32" (12mm) and 1/2" (13mm) sub-fronts only

Item #
BT59.K010M

A
B
C
D
E
F
G
H
I
J
K
L
M
N
O
P
Q
R
S
T
U
V
W
X
Y

BLUM MOVENTO DRAWER SYSTEMS

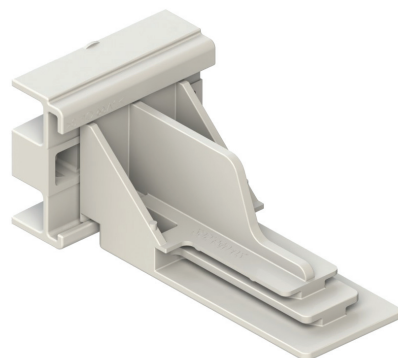


Screw-On Rear Bracket

- For MOVENTO 763H series runners
- Lateral self-alignment 1/8" (3mm)
- Non-handed, one-piece stamped steel design, zinc-coated
- Use at least three #6 wood screws
- Not for use with TIP-ON BLUMOTION



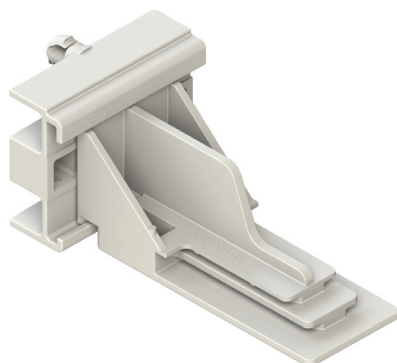
Item #	Box Qty
B295.3750.02	100



Screw-On Socket

- For MOVENTO 763H series runners
- Lateral self-alignment
- Non-handed, two-piece design
- Synthetic, natural color
- Use two #6 flat head wood screws
- Not for use with TIP-ON BLUMOTION

Item #	Box Qty
B295.6400	125



Plug-in Socket

- For MOVENTO 763H series runners
- Lateral self-alignment feature
- Non-handed, two-piece design
- Synthetic, natural color
- Non-detachable 5/16" (8mm) dowels, 3/8" (9.5mm) long
- 1/4" (6mm) minimum back panel thickness
- Use two #6 flat head wood screws
- Not for use with TIP-ON BLUMOTION

Item #	Box Qty
B295.6410	125

BLUM MOVENTO DRAWER SYSTEMS



Waste/Recycle Drawer with Motion Technologies



- Pre-assembled bottom mount set
- MOVENTO heavy duty full extension concealed runners with BLUMOTION
- For 12", 15", and 18" minimum opening widths
- 1/2" (13mm) to 5/8" (16mm) drawer thickness
- 3/4" (19mm) over extension
- For face frame and frameless applications
- Tool-free side-to-side, height and tilt adjustment
- Maximum 1/4" (6mm) cabinet bottom recess
- 135 lb static load capacity
- Compatible with TIP-ON BLUMOTION and SERVO-DRIVE

MOVENTO Waste/Recycle Set

Set Includes:

1. MOVENTO heavy duty runner set with pre-mounted #6 x 1" wood screw for installation (qty 8)
 2. Standard locking device (qty 2) with #6 x 5/8" wood screws for installation (qty 4)
- Also includes installation template and instructions

NOTE: Lateral stabilizer cannot be used with 769R series runners.



Item #	Description	Drawer Length
B769R5337SB	For 12" minimum opening width	21" (533mm)
B769R5337SD	For 15" minimum opening width	21" (533mm)
B769R5337SF	For 18" minimum opening width	21" (533mm)

SERVO-DRIVE Waste/Recycle Set (Optional)

Set Includes:

- Drive unit (pre-attached)
- Double bottom bracket with #6 x 1" wood screws (qty 2)
- Cable clips (qty 4)
- Adapter plate
- INSERTA cable connector
- Screw-on distance bumpers (qty 4) with #6 x 5/8" wood screws for installation (qty 8)
- 110 volt plug-in power supply with six feet of universal cable



Item #
BZ10NA30UGUS

TIP-ON BLUMOTION for MOVENTO Waste/Recycle Set

- Fully mechanical touch-to-open solution for waste/recycle sets
- Heavy duty L5 TIP-ON BLUMOTION units and triggers
- TIP-ON BLUMOTION synchronization rod, pre-cut per width
- TIP-ON BLUMOTION synchronization adapters*
- Instruction sheet

* NOTE: T60L7570.B does not use TIP-ON BLUMOTION synchronization adapters

Item #	Description
BT60L7570B	For 769R5337SB set
BT60L7570D	For 769R5337SD set
BT60L7570F	For 769R5337SF set

A
B
C
D
E
F
G
H
I
J
K
L
M
N
O
P
Q
R
S
T
U
V
W
X
Y

A BLUM MOVENTO DRAWER SYSTEMS



MOVENTO Bottom Mount Drawer - Heavy Duty



- MOVENTO heavy duty full extension concealed runners with BLUMOTION
- 1/2" (13mm) to 5/8" (16mm) drawer thickness
- 3/4" (19mm) over extension
- For face frame and frameless applications
- Tool-free side-to-side, height and tilt adjustment
- Maximum 1/4" (6mm) cabinet bottom recess
- 135 lb static load capacity
- Designed to be used with SERVO-DRIVE or TIP-ON BLUMOTION

MOVENTO Bottom Mount Runner Set

- One set required per drawer
- **Set Includes:**
 1. MOVENTO heavy duty runner set with pre-mounted #6 x 1" wood screws for installation (qty 8)
 2. Standard locking device (qty 2) with #6 x 5/8" wood screws for installation (qty 4)
 Also includes installation instructions

NOTE: Interior roll-outs and roll-out shelf applications must be mounted to the bottom of the cabinet or to a fixed shelf panel. Pre-attached 1/4" spacers should not be removed. Cabinet bottom recess must be 1/4" (6mm) less. Lateral stabilizer cannot be used with 769R series runners.



Item #
B769R5330S

SERVO-DRIVE Waste/Recycle Set (Optional)

- **Set Includes:**
 - Drive unit (pre-attached)
 - Double bottom bracket with #6 x 1" wood screws (qty 2)
 - Cable clips (qty 4)
 - Adapter plate
 - INSERTA cable connector
 - Screw-on distance bumpers (qty 4) with #6 x 5/8" wood screws for installation (qty 8)
 - 110 volt plug-in power supply with six feet of universal cable
 - Cable end protectors (qty 2)
 - Installation template, instructions, and user manual



Item #
BZ10NA30UGUS

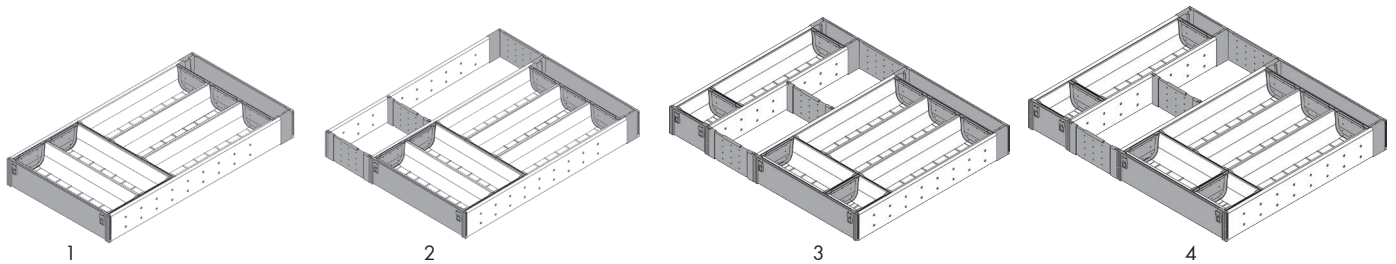
A
B
C
D
E
F
G
H
I
J
K
L
M
N
O
P
Q
R
S
T
U
V
W
X
Y

BLUM MOVENTO ORGA-LINE

ORGA-LINE



- Adjustable organization solution for wood drawers that are ideal for storing items in the kitchen and throughout the home
- Spring loaded compensation tray and side rails ensure that each kit will fit into an inside drawer length from 19-1/4" to 20"
- Removable trays are made of high quality nylon and stainless steel
- Dishwasher safe up to 170° F



Flatware - For 21" Drawers

Item #	Width	Height
1 BZHI.533BI3A	11-1/4" (285mm)	2-5/8" (66mm)
2 BZHI.533KI4A	15" (381mm)	2-5/8" (66mm)
3 BZHI.533TI4A	15-11/16" to 16-7/16" (399mm to 417mm)	2-5/8" (66mm)
4 BZHI.533TI5A	18-3/4" to 19-7/16" (477mm to 494mm)	2-5/8" (66mm)



Cutlery Sets - For 21" Drawers

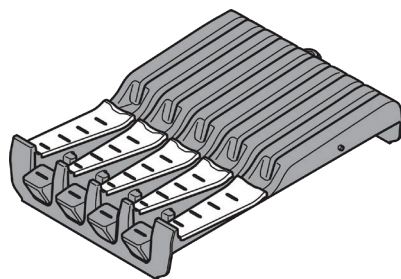
Item #	Width	Height
1 BZHI.533BI1A	4-1/4" (108mm)	2-5/8" (66mm)
2 BZHI.533MI3A	11-7/8" (302mm)	2-5/8" (66mm)



Utensils - For 21" Drawers

Item #	Width	Height
1 BZHI.533FI1A	4-1/4" (108mm)	2-5/8" (66mm)
2 BZHI.533FI3A	11-9/16" (294mm)	2-5/8" (66mm)

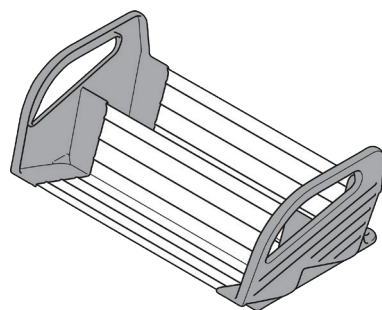
A
B
C
D
E
F
G
H
I
J
K
L
M
N
O
P
Q
R
S
T
U
V
W
X
Y

A BLUM MOVENTO ORGA-LINE

ORGA-LINE Knife Holder

- Length 11-1/8" (282mm)
- Width 7" (178mm)
- Height 2-3/16" (56mm)
- Holds up to nine knives of different sizes
- High quality nylon and stainless steel
- Dishwasher safe up to 170°F
- Handle support (qty 4)


Item #

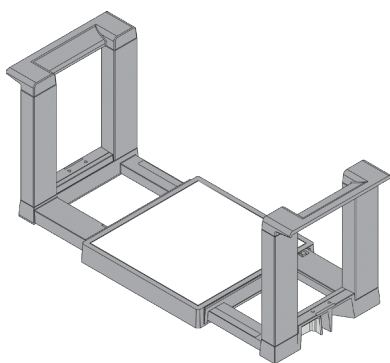
BZSZ.02MO


ORGA-LINE Spice Tray

- Width 11-1/8" (282mm) - Inside storage width 10-1/4" (260mm)
- Height 4-3/4" (121mm)
- Easy removal from drawer
- High quality nylon and stainless steel
- Set includes two trays and four feet

Item #

BZfZ.38G0IHGL


ORGA-LINE Plate Holder

- Plate diameter 6-9/16" to 12-5/16" (167mm to 312mm)
- Overall width 9-3/4" to 15-7/16" (247mm to 392mm)
- Overall height 6-11/16" (170mm)
- Holds up to 12 plates
- Non-slip bottom
- High quality nylon and stainless steel

Item #

BZC7T0350-GR

BLUM MOVENTO ASSEMBLY AIDS & ACCESSORIES

A
B
C
D
E
F
G
H
I
J
K
L
M
N
O
P
Q
R
S
T
U
V
W
X
Y



Universal Individual Template

- For pre-boring MOVENTO drawer runners
- Also used for marking/pre-boring other Blum drawer systems, AVENTOS locating pins, hinge mounting plates, BLUMOTION adapters, and TIP-ON adapters
- Calibrated scales for accurate setting
- Set includes: Universal individual template, 2.5mm and 5mm stop collars, allen wrench

Item #
B65.1051.02



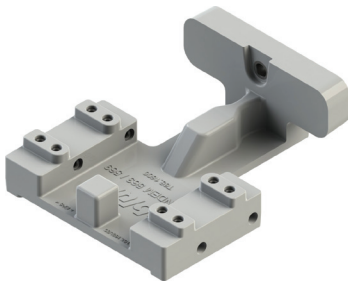
Cabinet Profile Template Set

- Used for pre-boring holes for MOVENTO drawer runners
- Also used for marking/pre-boring other Blum drawer systems, AVENTOS locating pins and hinge mounting plates

*** Set Includes:**

- Rail, 1 meter long
- Replacement template (qty 4)
- 2.5mm stop collar
- 5mm stop collar
- Allen wrench

Item #	Description
B65.1000.01	Cabinet Profile Template*
BDB-2.5MM	2.5mm Drill Bit
BDB-6MM	6mm Drill Bit



Concealed Runner Template

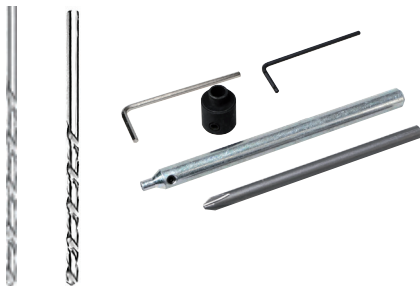
- Essential tool for drawers using any MOVENTO or TANDEM runners
- To bore 6mm holes for rear hooks
- Pre-bore 2.5mm hole for MOVENTO locking devices at the required angle

Item #
BT65.1600.01

Concealed Runner Template Accessories

Item #	Description
BDB-2.5MM	2.5mm Drill Bit
BDB-6MM	6mm Drill Bit
BT65.9000	Tool Set*

* Set includes 2.5mm drill bit extension, 6mm stop collar, #2 Phillips screwdriver tip, and allen wrenches



Wood and Euro Screws

	Item #	Description	Box Qty
1	B661.1150.HG	#6 x 11.5mm, #2 POZI	1,000
2	B612TH	#6 x 1/2", #2 Phillips	100



A
B
C
D
E
F
G
H
I
J
K
L
M
N
O
P
Q
R
S
T
U
V
W
X
Y

GRASS DYNAPRO2.0 UNDERMOUNT DRAWER SLIDES



Dynapro2.0 Full Extension Undermount Slides w/Soft-Close - For 16mm (5/8") Drawer Material



- Face frame or frameless applications from 12.7mm (1/2") to 16mm (5/8") drawer material
- Full extension with a synchronized mechanism
- Soft-close liquid damping system
- Self-latching front locking devices have release levers for drawer removal and installation
- Height adjustment +3.5mm with suitable front locking device
- Side adjustment ±1.5mm with suitable front locking device
- Depth adjustment +3.0mm forward with suitable front locking device
- 100 lb static, 90 lb dynamic load rating



Item #	Description	Box Qty
GDYNAPRO2-09B	9" Length, For 5/8" Drawer Material	5
GDYNAPRO2-12B	12" Length, For 5/8" Drawer Material	5
GDYNAPRO2-15B	15" Length, For 5/8" Drawer Material	5
GDYNAPRO2-18B	18" Length, For 5/8" Drawer Material	5
GDYNAPRO2-21B	21" Length, For 5/8" Drawer Material	5
GDYNAPRO2-15BB	15" Length, For 5/8" Drawer Material	200
GDYNAPRO2-18BB	18" Length, For 5/8" Drawer Material	200
GDYNAPRO2-21BB	21" Length, For 5/8" Drawer Material	200



Dynapro2.0 Full Extension Undermount Slides w/Soft-Close - For 19mm (3/4") Drawer Material



- Face frame or frameless applications from 16mm (5/8") to 19mm (3/4")
- Full extension with a synchronized mechanism
- Soft-close liquid damping system
- Self-latching front locking devices have release levers for drawer removal and installation
- Height adjustment +3.5mm with suitable front locking device
- Side adjustment ±1.5mm with suitable front locking device
- Depth adjustment +3.0mm forward with suitable front locking device
- 100 lb static, 90 lb dynamic load rating



Item #	Description	Box Qty
GDYNAPRO234-09B	9" Length, For 3/4" Drawer Material	5
GDYNAPRO234-12B	12" Length, For 3/4" Drawer Material	5
GDYNAPRO234-15B	15" Length, For 3/4" Drawer Material	5
GDYNAPRO234-18B	18" Length, For 3/4" Drawer Material	5
GDYNAPRO234-21B	21" Length, For 3/4" Drawer Material	5
GDYNAPRO234-18BB	18" Length, For 3/4" Drawer Material	200
GDYNAPRO234-21BB	21" Length, For 3/4" Drawer Material	200

GRASS DYNAPRO2.0 FRONT LOCKING DEVICES



**Dynapro2.0 2D Front Locking Devices
Standard Mount**



- Minimum inside drawer width 150mm (5-7/8")
- Height adjustment range: +3.5mm
- Side adjustment range: ±1.5mm
- Pre-drilling recommended Ø2.5mm (3/32")

Description	Left Item #	Right Item #	Box Qty
2D Front Locking Device	GDPF134108950233	GDPF134108951233	200



**Dynapro2.0 2D Front Locking Devices
Flange Mount**



- Minimum inside drawer width 150mm (5-7/8")
- Height adjustment range: +3.5mm
- Side adjustment range: ±1.5mm
- Pre-drilling recommended Ø2.5mm (3/32")

Description	Left Item #	Right Item #	Box Qty
2D Front Locking Device, Flanged	GDPF134108944233	GDPF134108945233	200



**Dynapro2.0 3D Front Locking Devices
Standard Mount**



- Minimum inside drawer width 150mm (5-7/8")
- Height adjustment range: +3.5mm
- Side adjustment range: ±1.5mm
- Depth adjustment range: +3.0mm forward adjustment
- Pre-drilling recommended Ø2.5mm (3/32")

Description	Left Item #	Right Item #	Box Qty
3D Front Locking Device	GDPF134108947233	GDPF134108948233	200



**Dynapro2.0 3D Front Locking Devices
Flange Mount**



- Minimum inside drawer width 150mm (5-7/8")
- Height adjustment range: +3.5mm
- Side adjustment range: ±1.5mm
- Depth adjustment range: +3.0mm forward adjustment
- Pre-drilling recommended Ø2.5mm (3/32")

Description	Left Item #	Right Item #	Box Qty
3D Front Locking Device, Flanged	GDPF134108942233	GDPF134108943233	200

A
B
C
D
E
F
G
H
I
J
K
L
M
N
O
P
Q
R
S
T
U
V
W
X
Y

A GRASS DYNAPRO2.0 FRONT LOCKING DEVICES

B
C
D
E
F
G
H
I
J
K
L
M
N
O
P
Q
R
S
T
U
V
W
X
Y



**Dynapro2.0 1D Front Locking Devices
Flange Mount**



- Minimum inside drawer width 150mm (5-7/8")
- Height adjustment range: +3.5mm
- Pre-drilling recommended Ø2.5mm (3/32")

Description	Left Item #	Right Item #	Box Qty
1D Front Locking Device, Flanged	GDPF134116420233	GDPF134116421233	200

Description	Item #	Box Qty
1D Front Locking Devices, Flanged Set (LH & RH)	GDPF134116422204	5

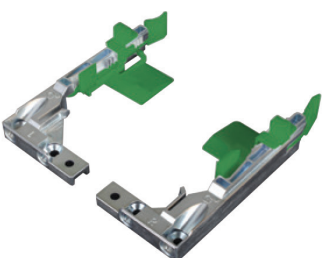


**Dynapro2.0 1D Front Locking Devices
Standard Mount**



- Minimum inside drawer width 150mm (5-7/8")
- Height adjustment range: +3.5mm
- Pre-drilling recommended Ø2.5mm (3/32")

Description	Left Item #	Right Item #	Box Qty
1D Front Locking Device	GDPF134101221233	GDPF134101222233	200



**Dynapro2.0 Narrow Front Locking Devices
Standard Mount**



- Works with all narrow drawer applications
- Minimum inside drawer width 95mm (3-3/4")
- Height adjustment range: +3.5mm
- Pre-drilling recommended Ø2.5mm (3/32")

Description	Left Item #	Right Item #	Box Qty
Narrow Front Locking Device	GDPF134100699233	GDPF134100700233	200

GRASS DYNAPRO2.0 REAR BRACKETS



Standard Screw-On Rear Bracket for Dynapro2.0



- For 12" - 21" drawers
- For face frame application
- Non-handed
- Made of metal
- Pre-drilling recommended Ø2.5mm (3/32")
- Use a minimum of 3 screws per bracket, #6 x 1/2" truss head screws

Item #	Description	Box Qty
G7950.VE300	Screw-On Metal Rear Bracket, Standard	300



Narrow Screw-On Rear Bracket for Dynapro2.0



- For 12" - 21" drawers
- For face frame application with narrow recess of side panel
- Non-handed
- Made of metal
- Pre-drilling recommended Ø2.5mm (3/32")

Item #	Description	Box Qty
G7951.VE300	Screw-On Metal Rear Bracket, Narrow	300



Screw-On Rear Bracket Set for 9" Dynapro2.0



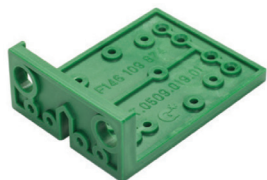
- For 9" drawer
- For face frame application
- For installation depth min 269mm (10-19/32") to 352mm (13-7/8")
- Pre-drilling recommended Ø2.5mm (3/32")
- Set includes: (1) left bracket, (1) right bracket and (4) #M5 x 8 screws

Item #	Description	Box Qty
GDPO0433-37	Rear Mounting Bracket Set for 9" Slides	5

A
B
C
D
E
F
G
H
I
J
K
L
M
N
O
P
Q
R
S
T
U
V
W
X
Y

A GRASS ACCESSORIES

B
C
D
E
F
G
H
I
J
K
L
M
N
O
P
Q
R
S
T
U
V
W
X
Y

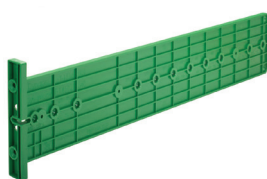


Drilling Template for Drawer



- For front locking device, drawer hole hook, and adjustment adapter

Item #	Description	Box Qty
GF146109874299	Drilling template - Drawer	1



Drilling Template for Cabinet Member



- For front locking device, drawer hole hook, and adjustment adapter

Item #	Description	Box Qty
GF146101348507	Drilling template - Cabinet Member	1



Elite Plus Drilling Template



- Use to precisely bore holes in the drawer back
- Use with a standard 1/4" (6mm) drill bit and stop collar

Item #	Description	Box Qty
G02511-01	Elite Plus Drilling Template	1



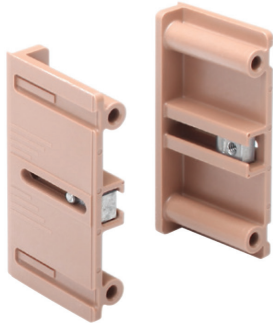
Centering Drill Bit Ø 2.5mm



- Used for pre-drilling countersink wood screws, Ø 2.5mm

Item #	Description	Box Qty
G35692-01	Centering Drill Bit Ø 2.5mm	1

GRASS ACCESSORIES



Inset Bracket Set



- For face frame inset applications with Dynapro2.0
- Works with all inset applications
- Bracket mounts behind the face frame, minimum 12.7mm (1/2") frame offset required
- Slide attaches easily with one screw
- Includes guide markings for proper setback
- Set includes: (2) Universal Inset Bracket, (2) 8 x 32 Tapped Insert for Inset bracket, (4) #7 x 2" mounting screws, (2) #8 - 32 x 1/2" Machine Screw FHP & (1) Instructions

Item #	Description	Box Qty
G13901-37	Inset Bracket Set	1
G13901-08	Inset Bracket Set	50

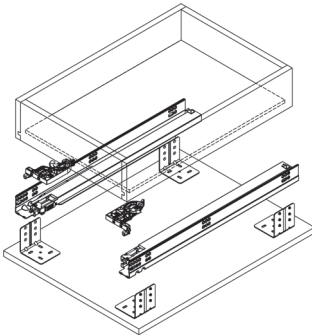


Interior Drawer Bracket Set



- Used to mount slides to a cabinet bottom or shelf for interior roll out trays
- Works with Dynapro2.0, Dynapro, and Nova Pro Scala drawer slides
- Set includes:
 - (4) non-handed, zinc plated, steel brackets
 - (8) M4 screws to attach slides to brackets
 - (8) #8 x 5/8" PHP screws to mount brackets to cabinet

Item #	Description	Box Qty
G00443-40	Interior Drawer Bracket Set	25



Euro Screw, Nickel-Plated



Item #	Description	Box Qty
G499.360.61.1015	Euro Screw 11mm (7/16") Pozi	500



Wood Screws, Nickel-Plated



Item #	Description	Box Qty
G81001-43	#6 x 5/8" FHP, Nickel	500
G6X34FHNI	#6 x 3/4" FHP, Nickel	500

GRASS DYNAPRO UNDERMOUNT DRAWER SLIDES



Heavy Duty and Extended Length Soft-Close Undermount Slides



- 16mm (5/8") and 19mm (3/4") Material
- Face frame application must be blocked out
- Full extension with a synchronized mechanism
- Soft-close liquid damping system
- Self-latching front locking devices have comfortable release levers for drawer removal and installation
- Height adjustment +3.5mm
- Side adjustment ±1.5mm
- Tilt adjustment +4.0mm
- Depth adjustment +4.5mm (optional)
- 132 lb load rating (60 kg) heavy duty
- 110 lb load rating (50 kg) extended length

Dynapro 16mm (5/8") Heavy Duty Full Extension Slides, 132lb (60kg) and 110lb (50kg)					
Item #	Drawer Length	Nominal Length	Min Installation Depth	Load Rating	Box Qty
GDPF130135008204	18" (457mm)	18-11/16" (475mm)	18-27/32" (479mm)	132lb (60kg)	5
GDPF130135009204	21" (533mm)	21-11/16" (551mm)	21-27/32" (555mm)	132lb (60kg)	5
GDPF130135010204	24" (610mm)	24-23/32" (628mm)	24-7/8" (632mm)	132lb (60kg)	5
GDPF130135011203	27" (686mm)	27-23/32" (704mm)	27-7/8" (708mm)	110lb (50kg)	4
GDPF130135012203	30" (762mm)	30-23/32" (780mm)	30-7/8" (784mm)	110lb (50kg)	4

Dynapro 19mm (3/4") Heavy Duty Full Extension Slides, 132lb (60kg) and 110lb (50kg)					
Item #	Drawer Length	Nominal Length	Min Installation Depth	Load Rating	Box Qty
GDPF130135028604	18" (457mm)	18-11/16" (475mm)	18-27/32" (479mm)	132lb (60kg)	5
GDPF130135028604	21" (533mm)	21-11/16" (551mm)	21-27/32" (555mm)	132lb (60kg)	5
GDPF130135427204	24" (610mm)	24-23/32" (628mm)	24-7/8" (632mm)	132lb (60kg)	5
GDPF130136064604	27" (686mm)	27-23/32" (704mm)	27-7/8" (708mm)	110lb (50kg)	4
GDPF130135029604	30" (762mm)	30-23/32" (780mm)	30-7/8" (784mm)	110lb (50kg)	4

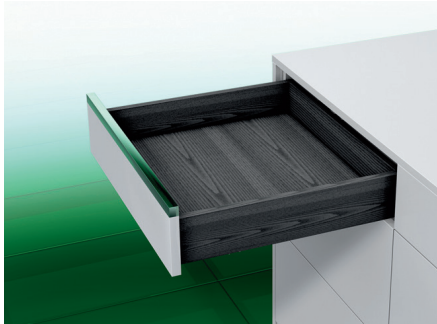


Tilt Adjustment Adapters

- Provides tilt adjustment for Dynapro heavy duty and Dynapro extended lengths
- Tilt adjustment range: 5/32" (+4mm)
- For both frameless and face frame applications

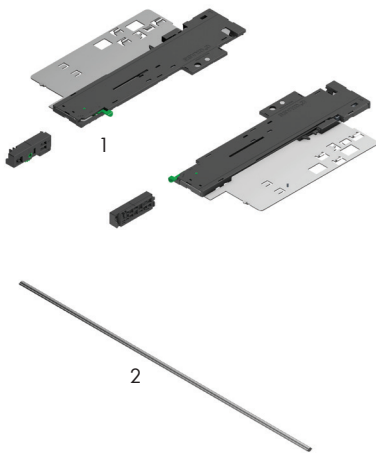
Item #	Description	Box Qty
GDPF13412500-ALR	Left/Right Rear Tilt Adjustment Adapters	200

GRASS DYNAPRO TIPMATIC SOFT-CLOSE



Dynapro Soft-Close Tipmatic

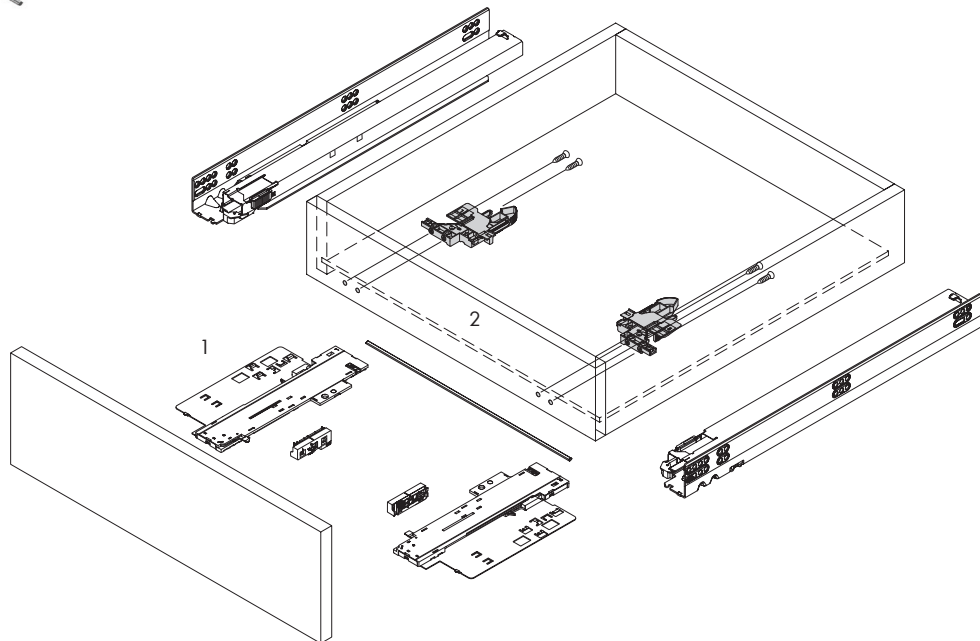
- Mechanical opening system for handle-free fronts
- Combines Tipmatic function with Soft-close damping
- Tool-free assembly of the Tipmatic Soft-close unit
- One unit for nominal lengths 305mm (12") up to 762mm (30")
- 3 tier adjustment for the opening force
- Wide activation zone due to synchronization bar
- Works with all Dynapro types including heavy duty
- Works with Vionaro drawers
- Dynapro Tipmatic Soft-close works with all Dynapro front locking devices
- For drawer widths up to 1200mm



Tipmatic Soft-Close for 16mm (5/8") and 19mm (3/4") Material

Item #	Description	Box Qty
1	GDPF134109323607 Tipmatic Soft-Close Set, Unit and Activator	10
2	GDPF134109410207 Tipmatic Synchronization Bar - Cut to Length 37-1/2" (952mm)	10

NOTE: Tipmatic Soft-Close does not work with 9" slides.



A
B
C
D
E
F
G
H
I
J
K
L
M
N
O
P
Q
R
S
T
U
V
W
X
Y

A
B
C
D
E
F
G
H
I
J
K
L
M
N
O
P
Q
R
S
T
U
V
W
X
Y

GRASS ELITE PLUS UNDERMOUNT DRAWER SLIDES

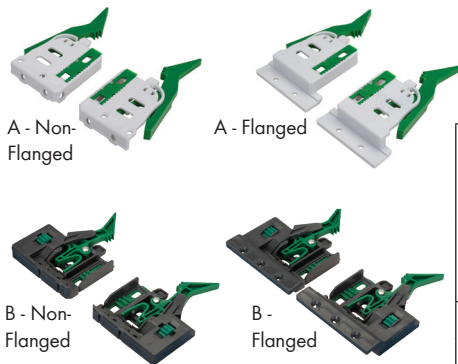


Soft-Close Full Extension Undermount Slides for up to 5/8" Drawer Material



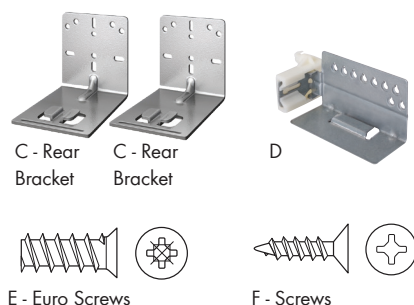
- Zinc-plated, roll formed steel components
- Precision, smooth-running synthetic roller carriages
- Self-latching front locking devices have comfortable release levers for drawer removal
- Front locking device height adjustable 2.5mm (3/32")
- Positive tracked right side, ± 1.5mm (1/16") side tolerance on left side
- Self-closing springs engage 30mm (1-1/4") before closed position
- Weight capacity: 75 lbs. dynamic, 100 lbs. static
- Exceeds ANSI/BHMA 156.9, Grade 1, Type B05011 drawer slide, test standards

Elite Plus Undermount Slides		
Item #	Description	Box Qty
GEP13132-09B	9" Elite Plus Undermount Drawer Slide	5
GEP13133-12B	12" Elite Plus Undermount Drawer Slide	5
GEP13363-15B	15" Elite Plus Undermount Drawer Slide	5
GEP13364-18B	18" Elite Plus Undermount Drawer Slide	5
GEP13365-21B	21" Elite Plus Undermount Drawer Slide	5
GEP13363-15BB	15" Elite Plus Undermount Drawer Slide - Bulk	200
GEP13364-18BB	18" Elite Plus Undermount Drawer Slide - Bulk	200
GEP13365-21BB	21" Elite Plus Undermount Drawer Slide - Bulk	200



Front Locking Devices

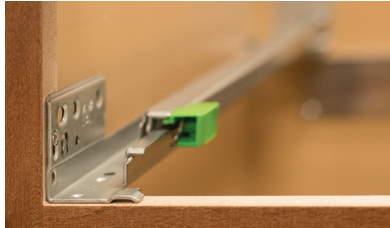
	Non-flanged Item #	Flanged Item #	Description	Box Qty
A	G02614	-	7523 Front locking device, universal, 1D, kit (kit includes: Left/Right locking device, (4) #6 x 1/2" flat head Phillips screws)	5
	GEP2498-LH	G02495-12	7523 Front locking device, universal, 1D, left	200
	GEP2499-RH	G02496-12	7523 Front locking device, universal, 1D, right	200
B	GEP80051-LH	G80053-12	75X3 Front locking device, universal, 2D, left	200
	GEP80052-RH	G80054-12	75X3 Front locking device, universal, 2D, right	200



Rear Mounting Brackets and Screws

	Item #	Description	Box Qty
C	G7950.VE300	Universal rear mount bracket	200
D	G02216	V-Notch, Metal with Socket, Left	200
	G02217	V-Notch, Metal with Socket, Right	200
E	G499.360.61.1015	11mm (7/16") Pozi Euro Screw	500
F	G81001-43	#6 X 5/8" FHP, Nickel Screw	500
	G6X34FHNI	#6 X 3/4" FHP, Nickel Screw	500

GRASS MAXCESS UNDERMOUNT DRAWER SLIDES

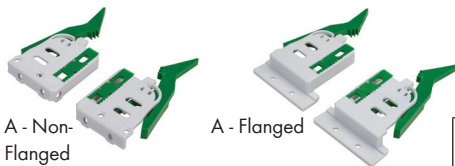


Full Access Undermount Drawer Slides



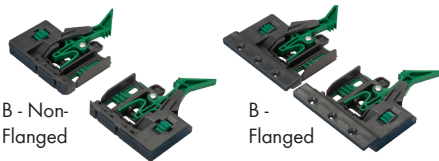
- Slide is concealed to give a full view of drawers
- Applications from 12.7mm (1/2") up to 16mm (5/8") drawer material
- Zinc-plated, roll formed steel components
- Precision, smooth-running synthetic roller carriages
- German technology liquid damper with smooth closing action
- Self-latching front locking devices have easy release levers for drawer removal and installation
- Weight capacity: 75 lb dynamic; 100 lb static
- Meets and exceeds ANSI/BHMA A156.9, Grade 1

Maxcess Drawer Slides					
Item #	Drawer Length	Cab Mem Length	Min Installation Depth	Max Installation Depth	Box Qty
G13301-09B	9" (229mm)	10-3/32" (256mm)	10-3/4" (273mm)	11-13/16" (300mm)	5
G13302-12B	12" (305mm)	12-7/16" (316mm)	13-3/4" (349mm)	14-3/16" (360mm)	5
G13303-15B	15" (381mm)	15-7/16" (392mm)	16-25/32" (426mm)	17-5/32" (436mm)	5
G13304-18B	18" (457mm)	18-7/16" (468mm)	19-3/4" (502mm)	20-5/32" (512mm)	5
G13305-21B	21" (533mm)	21-15/32" (545mm)	22-3/4" (578mm)	23-3/16" (589mm)	5
G13303-15BB	15" (381mm)	15-7/16" (392mm)	16-25/32" (426mm)	17-5/32" (436mm)	200
G13304-18BB	18" (457mm)	18-7/16" (468mm)	19-3/4" (502mm)	20-5/32" (512mm)	200
G13305-21BB	21" (533mm)	21-15/32" (545mm)	22-3/4" (578mm)	23-3/16" (589mm)	200



A - Non-Flanged

A - Flanged

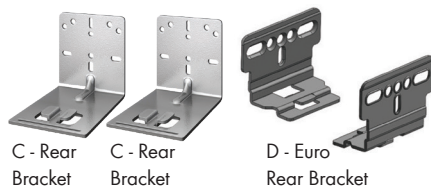


B - Non-Flanged

B - Flanged

Front Locking Devices

	Non-flanged Item #	Flanged Item #	Description	Box Qty
A	G02614	-	7523 Front locking device, universal, 1D, kit (kit includes: Left/Right locking device, (4) #6 x 1/2" flat head Phillips screws)	5
	GEP2498-LH	G02495-12	7523 Front locking device, universal, 1D, left	200
	GEP2499-RH	G02496-12	7523 Front locking device, universal, 1D, right	200
B	GEP80051-LH	G80053-12	75X3 Front locking device, universal, 2D, left	200
	GEP80052-RH	G80054-12	75X3 Front locking device, universal, 2D, right	200



C - Rear Bracket

C - Rear Bracket

D - Euro Rear Bracket



E - Euro Screws



F - Screws

Rear Mounting Brackets and Screws

	Item #	Description	Box Qty
C	G7950.VE300	Universal rear mount bracket	200
D	G13380-12	Rear Screw-on Mounting Bracket for Frameless (Euro) Applications	200
E	G499.360.61.1015	11 mm (7/16") Pozi Euro Screw	500
F	G81001-43	#6 X 5/8" FHP, Nickel Screw	500
	G6X34FHNI	#6 X 3/4" FHP, Nickel Screw	500

A
B
C
D
E
F
G
H
I
J
K
L
M
N
O
P
Q
R
S
T
U
V
W
X
Y

HETTICH QUADRO V6 UNDERMOUNT DRAWER SLIDES



Quadro V6 Full Extension Undermount Slides w/Silent System or Push To Open



- Slide on installation with catches and tool-less height adjustment
- Side adjustment up to +/- 2 mm with 2D front fixing clips
- Convenient slide on installation with catches and tool-less drawer adjustment
- Optionally upgradeable with Push to open Silent: convenient opening mechanism in combination with silent and soft closing; upgradeable with synchronization
- Load capacity up to 90 lbs dynamic (100 lbs static), as per ANSI / BHMA 156.9 grade 1 specifications on a 21" length slide
- For 1/2" (13 mm) or 5/8" (16 mm) drawer side thickness

Quadro V6 Full Extension Drawer Slides w/Silent System			
Description	Left Hand Item #	Right Hand Item #	Box Qty
9" Length w/Silent System	HET9304255	HET9304256	20
12" Length w/Silent System	HET9304258	HET9304259	10
15" Length w/Silent System	HET9304261	HET9304262	10
18" Length w/Silent System	HET9304271	HET9304272	10
21" Length w/Silent System	HET9304280	HET9304281	10
24" Length w/Silent System	HET9304283	HET9304284	10

Quadro V6 Full Extension Drawer Slides w/Push To Open			
Description	Left Hand Item #	Right Hand Item #	Box Qty
12" Length w/Push To Open	HET9304312	HET9304313	10
15" Length w/Push To Open	HET9304315	HET9304316	10
18" Length w/Push To Open	HET9304319	HET9304320	10
21" Length w/Push To Open	HET9304322	HET9304323	10
24" Length w/Push To Open	HET9304308	HET9304309	10

HETTICH QUADRO V6 FRONT FIXING CLIPS - 2D SERIES

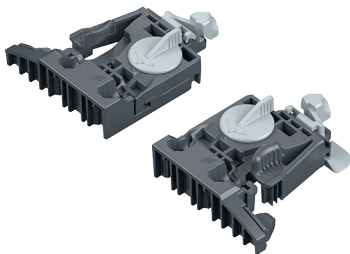


Quadro V6 2D Front Fixing Clip Sets, Front Mount 5/8"

- Set contains one front fixing clip left / right each
- Side adjustment up to +/- 2 mm
- For 16 mm (5/8") drawer material thickness with +3 mm toolless height adjustment
- Minimum drawer inside width = 130 mm (5-1/8")
- Installation recommended with two # 6 x 5/8" flat head screws per clip



Description	100 Box Qty Item #	10 Box Qty Item #
Fixing Clip Set, Front Mount 5/8"	HET9306536	HET9308640

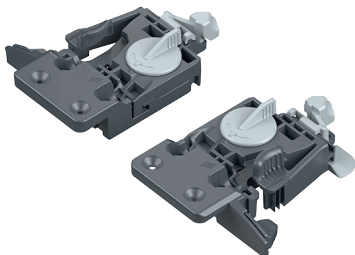


Quadro V6 2D Front Fixing Clip Sets, Front Mount 1/2"

- Set contains one front fixing clip left / right each
- Side adjustment up to +/- 2 mm
- For 13 mm (1/2") drawer material thickness with +3 mm toolless height adjustment
- Minimum drawer inside width = 130 mm (5-1/8")
- Installation recommended with two # 6 x 5/8" flat head screws per clip



Description	100 Box Qty Item #	10 Box Qty Item #
Fixing Clip Set, Front Mount 1/2"	HET9306535	HET9308639

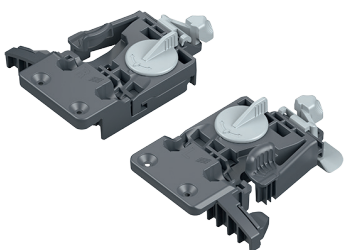


Quadro V6 2D Front Fixing Clip Sets, Top Mount 5/8"

- Set contains one front fixing clip left / right each
- Side adjustment up to +/- 2 mm
- For 16 mm (5/8") drawer material thickness with +3 mm toolless height adjustment
- Minimum drawer inside width = 130 mm (5-1/8")
- Installation recommended with two # 6 x 5/8" flat head screws per clip



Description	100 Box Qty Item #	10 Box Qty Item #
Fixing Clip Set, Top Mount 5/8"	HET9306540	HET9308664



Quadro V6 2D Front Fixing Clip Sets, Top Mount 1/2"

- Set contains one front fixing clip left / right each
- Side adjustment up to +/- 2 mm
- For 13 mm (1/2") drawer material thickness with +3 mm toolless height adjustment
- Minimum drawer inside width = 130 mm (5-1/8")
- Installation recommended with two # 6 x 5/8" flat head screws per clip



Description	100 Box Qty Item #	10 Box Qty Item #
Fixing Clip Set, Top Mount 1/2"	HET9306539	HET9308663

A
B
C
D
E
F
G
H
I
J
K
L
M
N
O
P
Q
R
S
T
U
V
W
X
Y

A
B
C
D
E
F
G
H
I
J
K
L
M
N
O
P
Q
R
S
T
U
V
W
X
Y

HETTICH QUADRO V6 FRONT FIXING CLIPS - 1D SERIES

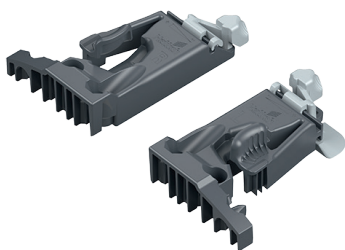


Quadro V6 1D Front Fixing Clip Sets, Front Mount 5/8"

- Set contains one front fixing clip left / right each
- For 16 mm (5/8") drawer material thickness with +3 mm toolless height adjustment
- Minimum drawer inside width = 95 mm (3-23/32")
- Installation recommended with two # 6 x 3/4" flat head screws per clip



Description	100 Box Qty Item #	20 Box Qty Item #
Fixing Clip Set, Front Mount 5/8"	HET9306534	HET9308638

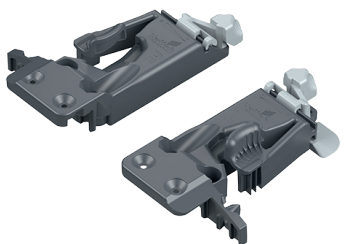


Quadro V6 1D Front Fixing Clip Sets, Front Mount 1/2"

- Set contains one front fixing clip left / right each
- For 13 mm (1/2") drawer material thickness with +3 mm toolless height adjustment
- Minimum drawer inside width = 95 mm (3-23/32")
- Installation recommended with two # 6 x 3/4" flat head screws per clip



Description	100 Box Qty Item #	20 Box Qty Item #
Fixing Clip Set, Front Mount 1/2"	HET9306533	HET9308637

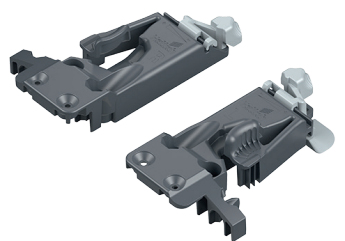


Quadro V6 1D Front Fixing Clip Sets, Top Mount 5/8"

- Set contains one front fixing clip left / right each
- For 16 mm (5/8") drawer material thickness with +3 mm toolless height adjustment
- Minimum drawer inside width = 95 mm (3-23/32")
- Installation recommended with two # 6 x 3/4" flat head screws per clip



Description	100 Box Qty Item #	20 Box Qty Item #
Fixing Clip Set, Top Mount 5/8"	HET9306538	HET9308662



Quadro V6 1D Front Fixing Clip Sets, Top Mount 1/2"

- Set contains one front fixing clip left / right each
- For 13 mm (1/2") drawer material thickness with +3 mm toolless height adjustment
- Minimum drawer inside width = 95 mm (3-23/32")
- Installation recommended with two # 6 x 3/4" flat head screws per clip



Description	100 Box Qty Item #	20 Box Qty Item #
Fixing Clip Set, Top Mount 1/2"	HET9306537	HET9308661

HETTICH QUADRO V6 REAR BRACKETS

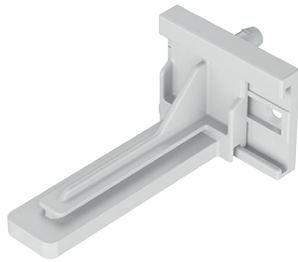


Screw-On Metal Rear Bracket Set for Quadro V6

- Set contains 2 metal rear mount brackets
- For up to 37 mm (1-7/16") depth adjustment and +/- 2 mm (3/32") side adjustment
- Additional adjustment via oblong holes
- Installation recommended with min. two # 6 pan head screws



Description	Item #	Box Qty
Rear Screw-On Bracket Set	HET9308864	10



Dowelled Plastic Rear Brackets for Quadro V6

- Plastic rear mount bracket with connector
- For up to 26 mm (1") depth adjustment and +/- 16 mm (5/8") side-to-side self-alignment
- Non-detachable 8 mm dowels
- For 1/8" rear panel material thickness



Description	Left Hand Item #	Right Hand Item #	Box Qty
Rear Plastic Bracket w/Dowels	HET9308854	HET9308855	100



Screw-On Plastic Rear Brackets for Quadro V6

- Plastic rear mount bracket with connector
- For up to 26 mm (1") depth adjustment and +/- 12 mm (15/32") side-to-side self-alignment
- Installation recommended with four # 8 flat head screws per bracket

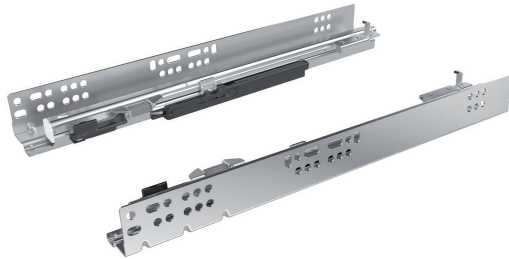


Description	Left Hand Item #	Right Hand Item #	Box Qty
Rear Plastic Bracket, Screw-On	HET9308856	HET9308857	100

A
B
C
D
E
F
G
H
I
J
K
L
M
N
O
P
Q
R
S
T
U
V
W
X
Y

A
B
C
D
E
F
G
H
I
J
K
L
M
N
O
P
Q
R
S
T
U
V
W
X
Y

HETTICH QUADRO 4D V6 UNDERMOUNT DRAWER SLIDES



Quadro 4D V6 Full Extension Slide w/Silent System



- Slide on installation with 4D front fixing clips and tilt adjustment
- Optionally upgradable with Push to open Silent: convenient opening mechanism in combination with silent and soft closing; upgradable with synchronisation
- Tool-less, intuitive height adjustment up to +2 mm, side adjustment up to +/- 1.5 mm, depth adjustment up to +/- 2 mm, and tilt adjustment
- For up to 5/8" (16mm) drawer side thickness, for face frame or frameless applications
- Meets or exceeds ANSI/BHMA 156.9 grade 1 requirements
- Load capacity up to 90 lbs dynamic (100 lbs static), as per ANSI/BHMA 156.9 grade 1 specification on a 21" length slide

Quadro 4D V6 Full Extension Drawer Slides w/Silent System

Description	Left Hand Item #	Right Hand Item #	Box Qty
9" Length w/Silent System	HET9262842	HET9262843	10
12" Length w/Silent System	HET9262844	HET9262845	10
15" Length w/Silent System	HET9262846	HET9262847	10
18" Length w/Silent System	HET9262848	HET9262849	10
21" Length w/Silent System	HET9262850	HET9262851	10
24" Length w/Silent System	HET9262852	HET9262853	10



HETTICH QUADRO 4D V6 FRONT FIXING CLIPS & TILT ADJUSTERS



Quadro 4D V6 Front Fixing Clips

- Quadro 4D V6 Front fixing clips for up to 5/8" drawer material
- For securely connecting the slides and wooden drawer without the need for tools
- Tool-less height adjustment up to +2 mm and side adjustment up to +/- 1.5 mm



Description	Left Hand Item #	Right Hand Item #	Box Qty
Quadro 4D Locking Device	HET9247355	HET9247356	100



Quadro 4D V6 Front Fixing Clip Set w/Spacers

- Quadro 4D V6 Front fixing clips w/spacers for up to 5/8" drawer material
- For securely connecting the slides and wooden drawer without the need for tools
- Tool-less height adjustment up to +2 mm and side adjustment up to +/- 1.5 mm
- Set includes: (10) LH Front Fixing Clips, (10) RH Front Fixing Clips
(20) Spacers for 1/2" drawer box material



Description	Item #	Box Qty
Quadro 4D V6 Front Fixing Clip Set w/Spacers	HET9218980	10



Quadro 4D V6 Tilt Adjuster For Wooden Drawers

- Large range within which the rear hook can be inserted in the slide for safe installation, even when the adjustment range is fully used



Description	Left Hand Item #	Right Hand Item #	Box Qty
Quadro 4D Tilt Adjuster	HET9205924	HET9205925	100

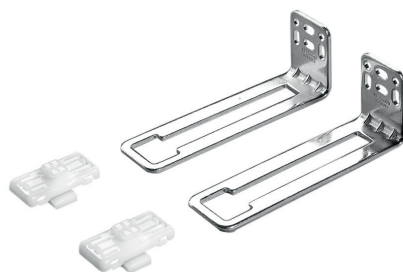


Quadro 4D V6 Front Fixing Clip Set w/Tilt Adjusters & Spacers

- Set includes: (10) LH Front Fixing Clips, (10) RH Front Fixing Clips, (10) LH Tilt Adjusters
(10) RH Tilt Adjusters, (20) Spacers for 1/2" drawer box material



Description	Item #	Box Qty
Quadro 4D V6 Front Fixing Clip Set w/Tilt Adjusters & Spacers	HET9218979	10

A HETTICH QUADRO 4D V6 REAR BRACKETS

Screw-On Metal Rear Bracket Set for Quadro 4D V6

- Set contains 2 metal rear mount brackets and 2 plastic connectors
- Non-handed, two-piece design
- For up to 50 mm (1-15/16") depth adjustment and ± 1.5 mm (1/16") side adjustment
- Additional adjustment via oblong holes
- Installation recommended with min. four # 6 pan head screws



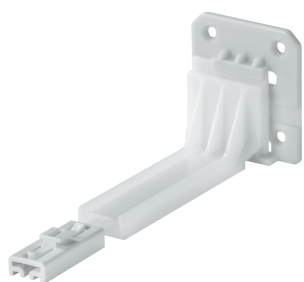
Description	Item #	Box Qty
Rear Screw-On Bracket Set	HET9055093	10


Dowelled Plastic Rear Brackets for Quadro 4D V6

- Plastic rear mount bracket with connector
- For up to 27 mm (1-1/16") depth adj. and ± 16 mm (5/8") side-to-side self-alignment
- Non-detachable 8 mm dowels
- For 1/8" rear panel material thickness
- Order 2 per drawer



Description	Item #	Box Qty
Rear Plastic Bracket w/Dowels	HET1135174	100


Screw-On Plastic Rear Brackets for Quadro 4D V6

- Plastic rear mount bracket with connector
- For up to 27 mm (1-1/16") depth adj. and ± 12 mm (15/32") side-to-side self-alignment
- Installation recommended with four # 8 flat head screws per bracket
- Order 2 per drawer



Description	Item #	Box Qty
Rear Plastic Bracket, Screw-On	HET1135181	100


Spacer Block for Quadro 4D V6

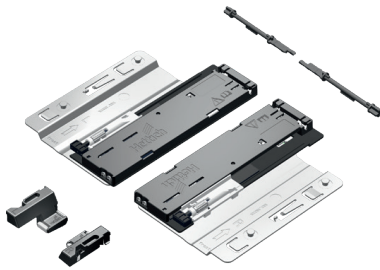
- 25 mm (1") distance block
- For Setback blocking, frameless construction, internal pullouts, etc.
- Installation recommended with one $\varnothing 6.3$ mm Euro screw or # 8 flat head screw per spacer
- Installation of slide to spacer recommended with one $\varnothing 6.3$ mm Euro screw per spacer



Description	Item #	Box Qty
Spacer Block	HET1130537	200

HETTICH QUADRO ACCESSORIES

A
B
C
D
E
F
G
H
I
J
K
L
M
N
O
P
Q
R
S
T
U
V
W
X
Y

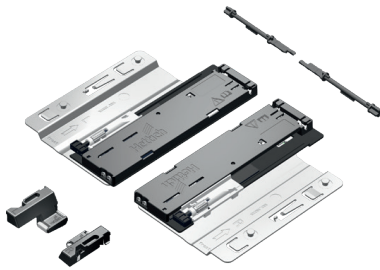


Push To Open Silent Set For Quadro V6 w/Silent System



- Units: 20 kg (45 lbs), 40 kg (90 lbs)
- Optional, upgradeable for all nominal lengths without tools
- Internal cabinet body width > 200 mm (7-7/8"), minimal drawer front gap of 2.5 mm (3/32")
- Drawers can still be pulled open / guided closed
- Set Includes: (1) Push to open Silent unit, left and right, (1) activator, left and right (2) adapters for mounting optional synchronization

Total Weight - Lbs.	Quadro - Lbs.	Nominal Length	Item #	Box Qty
15 - 45	66	12" - 24"	HET9308679	1
25 - 90	90	15" - 24"	HET9308678	1



Push To Open Silent Set For Quadro 4D V6 w/Silent System



- Units: 20 kg (45 lbs), 40 kg (90 lbs)
- Optional, upgradeable for all nominal lengths without tools
- Internal cabinet body width > 200 mm (7-7/8"), minimal drawer front gap of 2.5 mm (3/32")
- Drawers can still be pulled open / guided closed
- Set Includes: (1) Push to open Silent unit, left and right, (1) activator, left and right (2) adapters for mounting optional synchronization

Total Weight - Lbs.	Quadro - Lbs.	Nominal Length	Item #	Box Qty
15 - 45	66	12" - 24"	HET9246315	1
25 - 90	90	12" - 24"	HET9246316	1

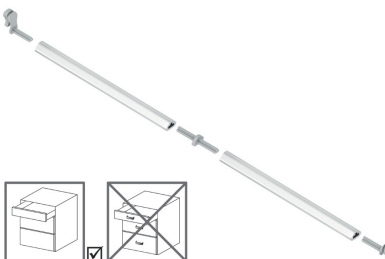


Optional Synchronization For Push To Open Silent



- Synchronization bar for cutting to length, 2000 mm (78-24/32")
- Connector for minimizing of cut waste
- For cabinet bodies in widths of > 600 mm (24"); can be used from 275 mm (11")

Description	Item #	Box Qty
Anodized Aluminum Synchronization Bar	HET9236718	100
Synchronization Bar Connector, Gray Plastic	HET9221295	20



Synchronization For Quadro V6 w/Push To Open



- Synchronization bar for cutting to length, 2000 mm (78-24/32")
- Adapter Type A for Quadro V6

Description	Item #	Box Qty
Anodized Aluminum Synchronization Bar	HET9236718	100
Adapter Type A	HET9219966	200
Connectors	HET9221295	20

A HETTICH QUADRO V6+ UNDERMOUNT DRAWER SLIDES

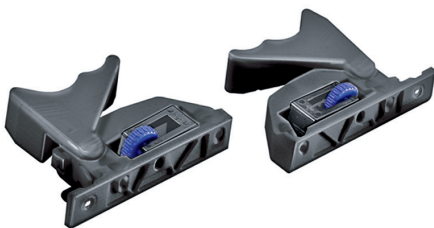


Quadro V6+ Full Extension Undermount Slide w/Silent System - Heavy Duty



- Silent System: the integrated Silent System closes the drawer quietly and gently
- Convenient slide on installation with catches and tool-less height adjustment
- Meets or exceeds ANSI/BHMA 156.9 grade 1 requirements
- Load capacity up to 130 lbs dynamic (170 lbs static), as per ANSI/BHMA 156.9 grade 1 specifications on a 21" length slide
- Galvanized steel, suitable for rooms exposed to moisture
- For 5/8" (16 mm) drawer side thickness
- **For frameless application only**

Quadro V6+ Full Extension Drawer Slides w/Silent System			
Description	Left Hand Item #	Right Hand Item #	Box Qty
15" Length w/Silent System	HET9248619	HET9248620	8
18" Length w/Silent System	HET9244389	HET9244390	8
21" Length w/Silent System	HET9244387	HET9244388	8
24" Length w/Silent System	HET9236068	HET9236069	8



Quadro V6+ Front Fixing Clips



- Set contains one front fixing clip left/right each
- For safely connecting the Quadro runner and wooden drawer without the need for tools
- Height adjustment up to +2 mm via a knurled wheel

Description	Item #	Box Qty
Quadro V6+ Front Fixing Clip, Left Hand	HET9117483	100
Quadro V6+ Front Fixing Clip, Right Hand	HET9117485	100
Quadro V6+ Front Fixing Clip, Set	HET9117492	5

KING SLIDE UNDERMOUNT DRAWER SLIDES

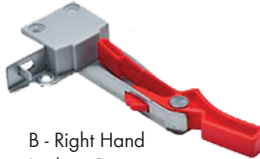


100 Lb Undermount Full Extension Drawer Slides w/Soft Close

- Concealed undermount slide with soft close function - ultra smooth gliding motion with high stability and durability
- Quick release front levers - effortless assembly and removal of drawers
- Tool-less height adjustment - fine tune the front panel alignment
- High dynamic loading capacity - 40kg (88lb) for 100,000 life cycles or 45kg (100lb) for 50,000 life cycles
- Maximum Drawer Side Thickness: 16mm (5/8")
- Max. Loading: 45kg (100lb)
- Height adjustment: +3.5mm



A - Left Hand Locking Device



B - Right Hand Locking Device



C - Rear Bracket

Length	Item #	Sold In	Box Qty
12"	KNGUM-12B	Pair	6
15"	KNGUM-15B	Pair	6
18"	KNGUM-18B	Pair	6
21"	KNGUM-21B	Pair	6

Locking Devices & Rear Brackets (Sold Separately)

Item #	Description	Sold In	Box Qty
A	KNGFLD-LH Left Hand Locking Device for KNGUM Series	Each	270
B	KNGFLD-RH Right Hand Locking Device for KNGUM Series	Each	270
C	KNGUM-RB Rear Mounting Bracket	Each	870

A
B
C
D
E
F
G
H
I
J
K
L
M
N
O
P
Q
R
S
T
U
V
W
X
Y

A KV MUV+ UNDERMOUNT DRAWER SLIDES

B
C
D
E
F
G
H
I
J
K
L
M
N
O
P
Q
R
S
T
U
V
W
X
Y

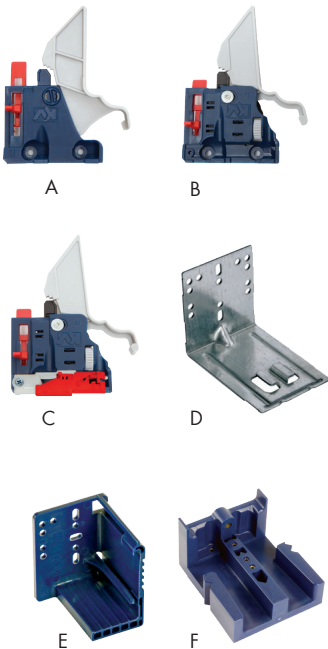


Soft-Close Undermount Slides with Optional 2-D & 3-D Adjustment



- Redesigned pivoting latch increases dampening for a quieter close
- Soft-close module allows pull-force adjustment to maintain smooth operation
- Three release levers allow adjustments on installed drawers
- Bottom mounting holes for flat-surface mounting
- Load rating: MUV+ - 75 lbs

Size	1/2" to 5/8" Thick Drawer Material Item #	Box Qty
18"	KVMUVP-18B	6
21"	KVMUVP-21B	6



KV MUV+ Accessories		
Item #	Description	Box Qty
A	KVMUVRL-1D Up/Down Height Adjustment Release Lever	60
B	KVMUVRL-2D Up/Down Height, Side-to-Side Adjustment Release Lever	24
C	KVMUVRL-3D Up/Down Height, Side-to-Side Adjustment, In/Out Adj Release Lever	12
D	KVMUVRBM Rear Mounting Bracket for Lengths 14" and Up	12
E	KVMUVRBP Rear Mounting Bracket for 9", 10", and 12"	8
F	KVMUV-124B Drilling Jig	1

KV SAMET UNDERMOUNT DRAWER SLIDES

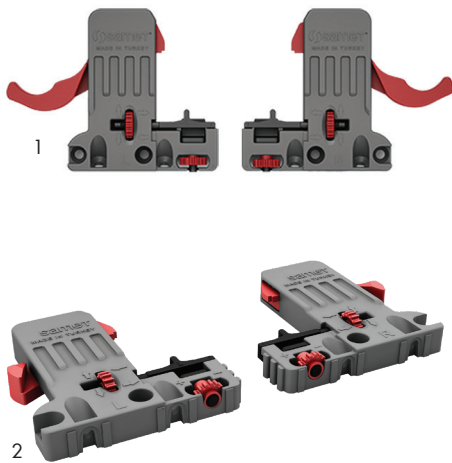


Samet Full Extension Undermount Smart Slides w/Soft-Close



- Soft close system with adaptive damping
- Full extension with synchronization travel
- 1/2" (12mm) to 5/8" (16mm) drawer thickness
- 2D (4-way) adjustable front locking devices
- Height adjustment: +/- 3/32" (2mm)
- Side-to-side adjustment: +/- 1/16" (1.5mm)
- Exceeds ANSI/BHMA A156.9-2010 technical specifications

Item #	Description	Box Qty
KVSUNDM-09B	9" Length, Smart Slide Full Fit Power Soft-Close	6
KVSUNDM-12B	12" Length, Smart Slide Full Fit Power Soft-Close	6
KVSUNDM-15B	15" Length, Smart Slide Full Fit Power Soft-Close	6
KVSUNDM-18B	18" Length, Smart Slide Full Fit Power Soft-Close	6
KVSUNDM-21B	21" Length, Smart Slide Full Fit Power Soft-Close	6



Samet Smart Front Locking Devices



- 2D (4-Way) Micro Roller Adjustable
- Height adjustment +/- 3/32" (2 mm)
- Side-to-side adjustment +/- 1/16" (1.5 mm)

Item #	Description	Box Qty	
1	KVSUNDM-2DL	Left Hand Standard Front Locking Device	120
	KVSUNDM-2DR	Right Hand Standard Front Locking Device	120
2	KVSUNDM-2DNL	Narrow Left Hand Standard Front Locking Device	120
	KVSUNDM-2DNR	Narrow Right Hand Standard Front Locking Device	120



Samet Screw-On Rear Mounting Bracket



- Metal rear mounting bracket for all KV Samet undermount drawer slides

Item #	Description	Box Qty
KVSUNDM-RB	Rear Mounting Bracket	180

A
B
C
D
E
F
G
H
I
J
K
L
M
N
O
P
Q
R
S
T
U
V
W
X
Y

A KV G-SLIDE SOFT-CLOSE UNDERMOUNT DRAWER SLIDES

B
C
D
E
F
G
H
I
J
K
L
M
N
O
P
Q
R
S
T
U
V
W
X
Y

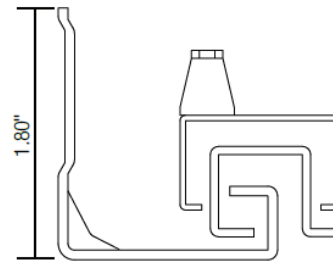


G-Slide 2070B Full Extension Undermount Drawer Slides

- For use with drawer material thickness from 1/2" to 5/8"
- 32mm hole pattern matches existing industry standards
- Full extension travel
- Mounting: Undermount
- Action: Telescopic action
- Load Rating: 75 lb. class
- Height: 1.80" [45.7mm]
- Finish: Zinc (ZC)



G-Slide 2070B Full Extension Slides		
Length	Item #	Box Qty
9"	KVGS2070-09B	6
12"	KVGS2070-12B	6
15"	KVGS2070-15B	6
18"	KVGS2070-18B	6
21"	KVGS2070-21B	6



Front Release Levers

- + 1/8" (3mm) height adjustment
- +/- 1/16" (1.5mm) side-to-side adjustment

Item #	Description	Box Qty
KVGS2070-2D-RL	Left/Right Set of Front Release Levers	30



2070-RBM

Mounting Brackets

Item #	Description	Box Qty
KVGS2070-RBM	Metal rear mounting brackets	60
KVGS2070-RBP	Plastic rear mounting brackets	60



2070-RBP

SALICE FUTURA UNDERMOUNT DRAWER SLIDES

SALICE

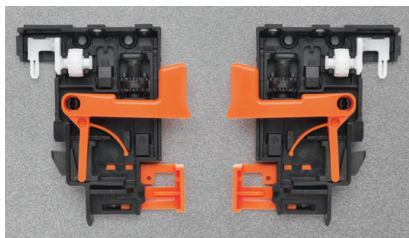
Futura Full Extension Undermount Slides For up to 5/8" Drawer Material



- Full extension
- Load capacity: 100 lbs static, 75 lbs dynamic
- For 16mm (5/8") max drawer material

Soft-Close		
Item #	Length	Box Qty
SALA7555/229-CP6	9"	6
SALA7555/305-CP6	12"	6
SALA7555/381-CP6	15"	6
SALA7555/457-CP6	18"	6
SALA7555/533-CP6	21"	6

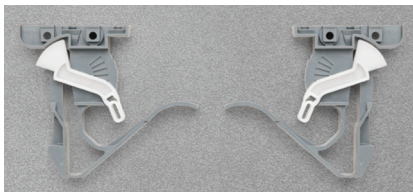
Push-To-Open		
Item #	Length	Box Qty
SALA7557-12B	12"	6
SALA7557-15B	15"	6
SALA7557-18B	18"	6
SALA7557-21B	21"	6



Locking Device, 6-Way Adjustable

- For all Futura drawer slides

Item #	Description	Box Qty
SALA750.010	Left and Right 6-Way Front Locking Devices	100 Pairs



Locking Device, Standard Mount w/Vertical Adjustment

- For all Futura drawer slides

Item #	Description	Box Qty
SALA710.610	Left and Right Standard Front Locking Device	100 Pairs



Standard Screw-On Bracket

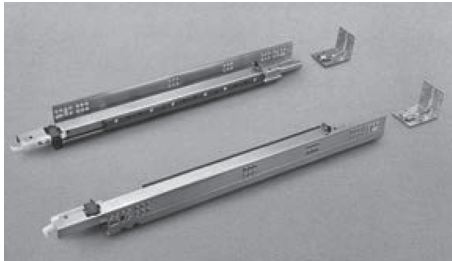
- For all Futura drawer slides

Item #	Description	Box Qty
SALAGSKXC5	Rear Mounting Bracket	100

A
B
C
D
E
F
G
H
I
J
K
L
M
N
O
P
Q
R
S
T
U
V
W
X
Y

A
B
C
D
E
F
G
H
I
J
K
L
M
N
O
P
Q
R
S
T
U
V
W
X
Y

SALICE F70 SMOVE UNDERMOUNT DRAWER SLIDES



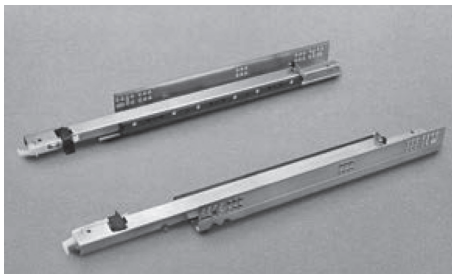
F70 Smove Series w/Soft-Close Face Frame or Frameless Application

SALICE

- Full extension slide for 1/2" (12mm) to 5/8" (16mm) drawer thickness
- Smove: soft-close mechanism fully integrated into the slide
- 150 Lbs Dynamic, 170 Lbs Static load capacity
- Elongated holes for depth and height adjustment
- Adj. clips allow for easy drawer insertion/removal; special clip for narrow drawers
- Integrated tool free height adjustments + 2.5 mm
- Tool free depth adjustments +/- 3 mm
- Tool free side adjustments +/- 1.5 mm
- Optional tool free tilt adjustment +3 mm
- 100% Made in Italy

NOTE: any load over 75 Lbs requires a filler in addition to rear sockets.

Item #	Length	Box Qty
SALF70FFSC-15B	15"	6
SALF70FFSC-18B	18"	6
SALF70FFSC-21B	21"	6



F70 Smove Series w/Soft-Close Frameless Application

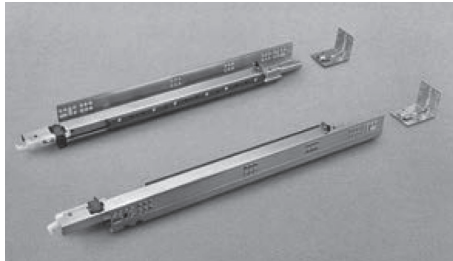
SALICE

- Full extension slide for 1/2" (12mm) to 5/8" (16mm) drawer thickness
- Smove: soft-close mechanism fully integrated into the slide
- 150 Lbs Dynamic, 170 Lbs Static load capacity
- Elongated holes for depth and height adjustment
- Adj. clips allow for easy drawer insertion/removal; special clip for narrow drawers
- Integrated tool free height adjustments + 2.5 mm
- Tool free depth adjustments +/- 3 mm
- Tool free side adjustments +/- 1.5 mm
- Optional tool free tilt adjustment +3 mm
- Can be used for face frame application with block out
- 100% Made in Italy

Item #	Length	Box Qty
SALF70FLSC-18B	18"	6
SALF70FLSC-21B	21"	6
SALF70FLSC-24B	24"	4
SALF70FLSC-27B	27"	4
SALF70FLSC-30B	30"	4

SALICE F70 PUSH UNDERMOUNT DRAWER SLIDES

A
B
C
D
E
F
G
H
I
J
K
L
M
N
O
P
Q
R
S
T
U
V
W
X
Y



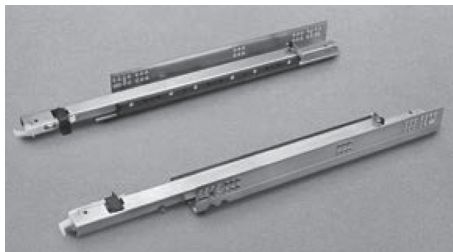
F70 Push Series w/Push To Open Face Frame or Frameless Application

SALICE

- Full extension slide for 1/2" (12mm) to 5/8" (16mm) drawer thickness
- Push: opening system for handle-less drawers, fully integrated into the slide
- Slight pressure of the drawer front is enough for the drawer to open
- 150 Lbs Dynamic, 170 Lbs Static load capacity
- Integrated Push opening system
- Elongated holes for depth and height adjustment
- Adj. clips allow for easy drawer insertion/removal; special clip for narrow drawers
- The drawer is latched when closed
- Integrated tool free height adjustments + 2.5 mm
- Tool free depth adjustments +/- 3 mm
- Tool free side adjustments +/- 1.5 mm
- Optional: tool free tilt adjustment +3 mm or F70 Push Synchronizer
- 100% Made in Italy

NOTE: any load over 75 Lbs requires a filler in addition to rear sockets.

Item #	Length	Box Qty
SALF70FFPO-15B	15"	6
SALF70FFPO-18B	18"	6
SALF70FFPO-21B	21"	6



F70 Push Series w/Push To Open Frameless Application

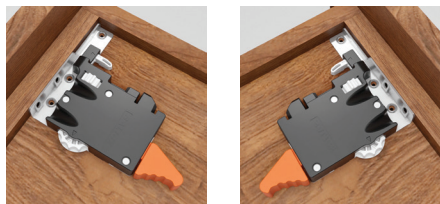
SALICE

- Full extension slide for 1/2" (12mm) to 5/8" (16mm) drawer thickness
- Smove: soft-close mechanism fully integrated into the slide
- 150 Lbs Dynamic, 170 Lbs Static load capacity
- Elongated holes for depth and height adjustment
- Adj. clips allow for easy drawer insertion/removal; special clip for narrow drawers
- Integrated tool free height adjustments + 2.5 mm
- Tool free depth adjustments +/- 3 mm
- Tool free side adjustments +/- 1.5 mm
- Optional tool free tilt adjustment +3 mm
- Can be used for face frame application with block out
- 100% Made in Italy

Item #	Length	Box Qty
SALF70FLPO-18B	18"	6
SALF70FLPO-21B	21"	6
SALF70FLPO-24B	24"	4
SALF70FLPO-27B	27"	4
SALF70FLPO-30B	30"	4

A SALICE F70 PUSH SYNCHRONIZER & FRONT LOCKING DEVICES

B
C
D
E
F
G
H
I
J
K
L
M
N
O
P
Q
R
S
T
U
V
W
X
Y



Locking Device, Standard Mount

SALICE

- Dual steel/plastic construction
- For all F70 runner versions
- Tool free lateral and depth adjustments
- Pre-drilling recommended \varnothing 2.5 mm (3/32")

Item #	Description	Box Qty
SALF70CLIP-SLR	Right & Left 4-Way Adjustable Locking Devices, (Left/Right & In/Out)	100

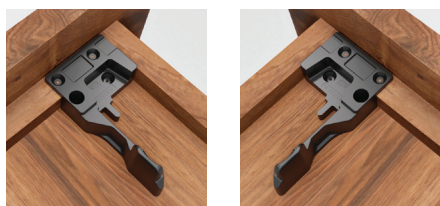


Locking Device, Vertical Mount

SALICE

- Dual steel/plastic construction
- For all F70 runner versions
- Tool free lateral and depth adjustment
- Overhang must be 13 mm (1/2")
- Pre-drilling recommended \varnothing 2.5 mm (3/32")

Item #	Description	Box Qty
SALF70CLIP-VLR	Right & Left 4-Way Adjustable Locking Devices, (Left/Right & In/Out)	100



Narrow Drawer Clip

SALICE

- For use with narrow drawers
- For all F70 runner versions
- Overhang must be 13 mm (1/2")
- Pre-drilling recommended \varnothing 2.5 mm (3/32")

Item #	Description	Box Qty
SALF70CLIP-NLR	Narrow Front Locking Devices	100



F70 Push Synchronizer Kit

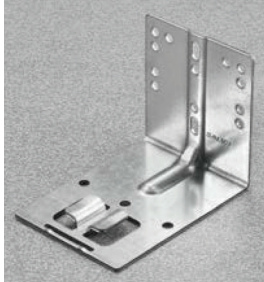
SALICE

- Frameless or blocked out face frame applications
- Smooth running action
- Load capacity of the slides remains unchanged
- Available on all F70 drawer lengths
- Minimum opening (X) = 11.0236" (280 mm)
- Maximum opening (X) = 51.3779" (1305 mm)
- Bar length = 45.2755" (1150mm) cut to size
- Kit Includes: (1) stabilizer bar, (2) driver pins & (2) carrier plates

Item #	Description	Box Qty
SALF70-SYNC	F70 Push Synchronizer Kit	20

SALICE F70 ACCESSORIES

A
B
C
D
E
F
G
H
I
J
K
L
M
N
O
P
Q
R
S
T
U
V
W
X
Y



Standard Screw-On Bracket

SALICE

- For F70 full extension slides, non-handed
- Lateral self-alignment feature
- One piece stamped steel, zinc-coated

Item #	Description	Box Qty
SALF70-SRB	2"W Steel Rear Bracket	100

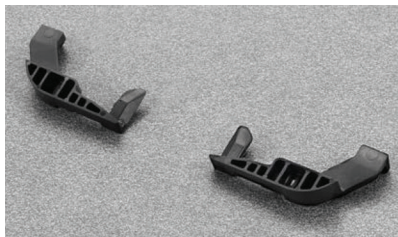


Narrow Screw-On Bracket

SALICE

- For F70 full extension runners, non-handed
- Lateral self-alignment feature
- One piece stamped steel, zinc-coated
- Use a minimum of 4 screws per socket

Item #	Description	Box Qty
SALF70-NRB	1-1/2"W Steel Rear Bracket	100



Tilt Adjustment Lever

SALICE

- Left and right levers
- For all F70 runner versions

Item #	Description	Box Qty
SALF70TILT-LR	Tilt Adjustment Left & Right Levers with 3mm Tilt	12

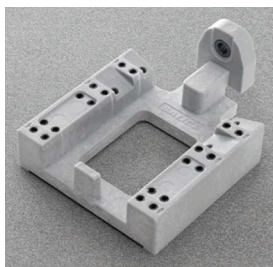


Side Spacer

SALICE

- Spaces out F70 slides for clearance on interior roll-outs

Item #	Description	Box Qty
SALASPACERFUT	1" Side Spacer for Undermount Slides	100



Drilling Templates for Drawers

SALICE

- Template for F70 slides
- Correct and level mounting assures a smooth assembly of the drawer slide

Item #	Description	Box Qty
SALSGD704UGXA	Drilling Template for Drawers	1

A SLIDE BRACKETS



**Rear Epoxy Slide Brackets
Top & Bottom Mount Adapter Brackets**



- Drawer slide adapter bracket allows for easy installation of pull out shelves, silverware drawers or pencil drawers without the use of side panels
- Brackets are non-handed and can be used left or right with white finish
Bracket is held to the slide with 6-32 machine screws with lock nuts (supplied)
- Includes: (4) brackets per bag with 4 #6-32 x 1/2" machine screws, 4 #6-32 locking nuts

Item #
G00432-08

B
C
D
E
F
G
H
I
J
K
L
M
N
O
P
Q
R
S
T
U
V
W
X
Y

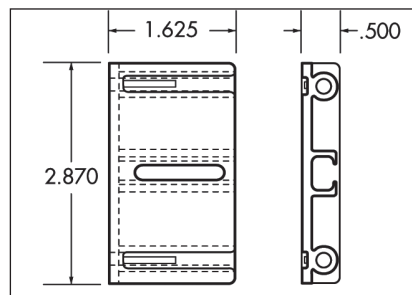


**Inset Drawer Brackets
Universal Undermount Bracket Kit**



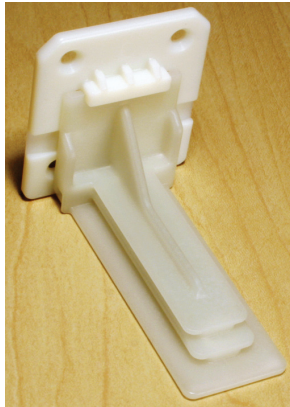
- Gray ABS plastic bracket provides 1/2" back and forth adjustment of undermount slides
- Bracket requires only 1/2" face frame offset
- Packing: Kit includes: (1) pair of universal inset brackets, (2) #8 - 32 x 1/2" machine screws to fasten slide to bracket and (4) #7 x 2" washer head combo screws to attach brackets to face frame

Item #
TNTB394



SLIDE BRACKETS

A
B
C
D
E
F
G
H
I
J
K
L
M
N
O
P
Q
R
S
T
U
V
W
X
Y

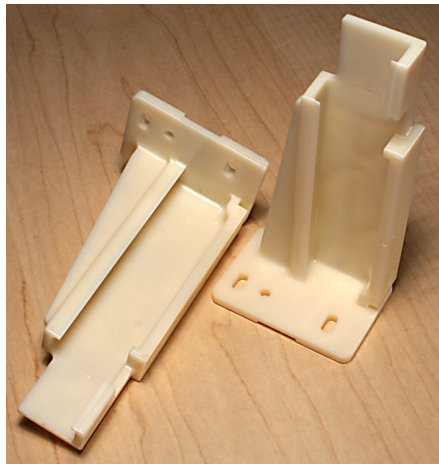


Rear Undermount Slide Brackets, Screw-On



- Works with most full extension undermount slides
- Simply screw on cabinet back
- Over 17mm of side to side adjustment
- Allows slide to be pushed all the way to the back panel

Item #	Sold-In
TNTC280-02	Per Each



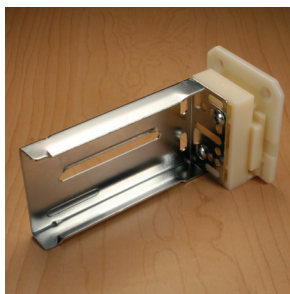
Rear Side Mount Slide Brackets, Screw-On



- Works with many generic self-closing epoxy side mount slides
- Made from strong ABS polymer, perform well in hot or cold environments
- 1 left and 1 right are normally required per drawer

NOTE: A trail mounting is strongly suggested.

Item #	Description	Sold-In
TNTC302-02	Left Bracket	Per Each
TNTC302-03	Right Bracket	Per Each

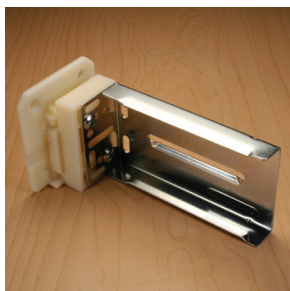


Rear Ball Bearing Slide Brackets, Screw-On



- For Hettich 5632, PRO 100
- Simply screw on cabinet back
- 1 left and 1 right are normally required per drawer

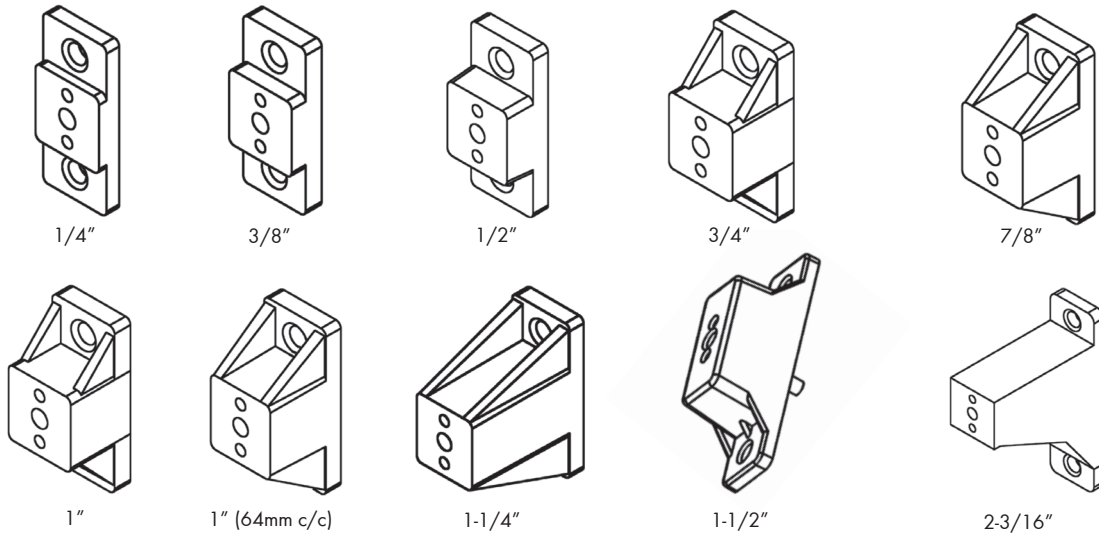
Item #	Description	Sold-In
TNTC603	Left Bracket	Per Each
TNTC603-01	Right Bracket	Per Each



A DRAWER SLIDE SPACERS

Drawer Slide Spacers

- For use with any drawer slides, used to clear face frames
- Spacers are available in depths from 1/4" to 2-3/16" and in white and almond colors
- Spacers have two cabinet mounting holes spaced 32mm apart and one center euro screw to mount the drawer slide to the spacer
- Item #BA3616 has cabinet mounting holes that are 64mm apart



Spacer Depth	White Item # - Sold In 50 Per Pack	White Item # - Sold In Each	Almond Item # - Sold In Each	Black Item # - Sold In Each
1/4"	-	BA3606-WH	BA3606-AL	BA3606-BK
3/8"	-	BA3605-WH	BA3605-AL	BA3605-BK
1/2"	BA3600-WHP	BA3600-WH	BA3600-AL	BA3600-BK
3/4"	BA3682-WH	-	-	BA3682-BK
7/8"	-	BA3607-WH	BA3607-AL	BA3607-BK
1"	BA3602-WHP	BA3602-WH	BA3602-AL	BA3602-BK
1" (64mm c/c)	BA3616-WHP	-	BA3616-AL	-
1-1/4"	BA3604-WHP	BA3604-WH	BA3604-AL	BA3604-BK
1-1/2"	BA3608-WHP	BA3675-WH	BA3675-AL	BA3675-BK
2-3/16"	-	BA3613-WH	BA3613-AL	-



Miller FastBlock, Adjustable Spacer



- For roll outs and soft close slides, this spacer adjusts to a perfect fit
- Sliding block accepts a euro screw in front or can be flipped around to use with slide screws
- Up and down adjustment of 3/16"; in and out adjustment 5/8" (flat) to 1" extended
- Load rating of 100 lb.

Item #	Color	Pack Qty
FCMILLERFB-2	White	2 Each
FCMILLERFB-100	White	100 Each

DRAWER BUMPERS/STOPS



Undermount Drawer Slide Spacer 1-1/4"

- Made of plastic
- Size: 1-1/4"H x 5/8"L



Item #	Description	Finish	Unit of Measure	Box Qty
BA3633ACS-32	Undermount Drawer Slide Spacer	Silver	Box	100



Drawer Bumpers

- Attaches to side of wooden pullout. For inset pullout trays for frame or frameless cabinetry
- Protects the inside of doors from damage when pullouts are used
- Quick and easy installation



Item #
G13096



Drawer Bumpers, PSA Adhered

- Protects doors from being unintentionally marred from drawer pull-outs
- Can be applied with supplied PSA backing or screwed in, or both
- Convenient to apply on the job site



Item #	Description	Pack Qty
FCDWRBMPR	Drawer Bumper, White	10



Inset Door Stops, Adjustable

- Constructed of soft rubber
- Door stops are .575" in diameter and .3125" tall
- Off center screw hole allows door stop to be rotated to varied distances from door



Item #	Color	Pack Qty
Without Screws		
FCEDS-BN	Dark Brown	10
FCEDS-CL	Clear	10
FCEDS-WH	White	10
With Screws		
FCEDS-BNWS	Dark Brown	10
FCEDS-CLWS	Clear	10
FCEDS-WHWS	White	10
Bulk, Without Screws		
FCEDS-BN100	Dark Brown	100
FCEDS-CL100	Clear	100
FCEDS-WH100	White	100

A
B
C
D
E
F
G
H
I
J
K
L
M
N
O
P
Q
R
S
T
U
V
W
X
Y

A FILE DRAWER FRAME SYSTEMS



Side Mount Pull-Out File Drawer Frame System



- Able to hold either letter or legal folders
- Includes side mounted full-extension ball bearing slides and door mount brackets
- Designed to fit 18" base cabinets with a 1-1/2" face frame

Item #	Description	Dimensions
RVRAS-FDSM-DM15	15" W Side Mounted File Drawer	15"W X 17.75"D X 10.5"H

B
C
D
E
F
G
H
I
J
K
L
M
N
O
P
Q
R
S
T
U
V
W
X
Y

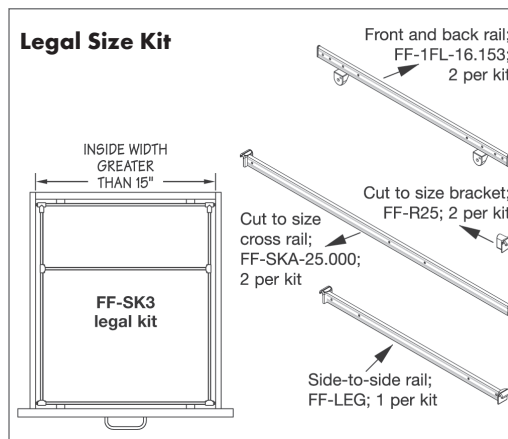
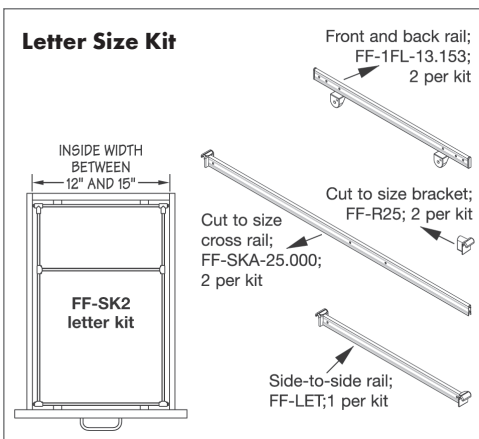


File Drawer Frame System Pendaflex Letter Size and Legal Size Kits



- Available in two sizes: legal and letter size
- The letter size kit includes: (2) 13-1/8" L front and rear rail brackets designed to screw mount into the front/back of the drawer box, (2) 25" L front to back side rails, (1) 12" L side-to-side rail and two clips designed to be used with the front-to-back side rail
- The legal size kit includes: (2) 16-1/8" L front and rear rail bracket designed to screw mount into the front/back of the cabinet, (2) 25" L front to back side rails, (1) 15" L side-to-side rail and (2) clips designed to be used with the front-to-back side rail
- Easy to install:
 - Step 1) Screw the front and rear rail brackets into the drawer box
 - Step 2) Cut to length (with a hacksaw) the side rails which snap onto the front and rear rail brackets
 - Step 3) Snap center rail into place
- Made of metal with a black finish. Finish is guaranteed to withstand 50,000 cycles with no paint wear or other degradation

Item #	File Drawer Type	Color
TMFFSK2	Letter Kit System	Black
TMFFSK2-W	Letter Kit System	White
TMFFSK3	Legal Kit System	Black



FILE DRAWER FRAME SYSTEMS

A
B
C
D
E
F
G
H
I
J
K
L
M
N
O
P
Q
R
S
T
U
V
W
X
Y

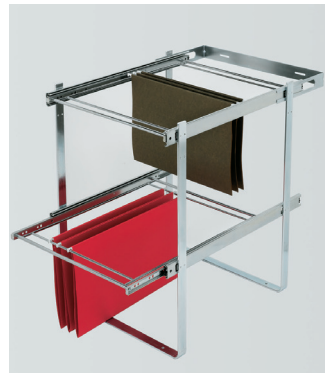


**File Drawer System
Two Tier, For 18" W Base
Cabinets**



- Full extension 100 lb. rated ball bearing slides are mounted to a heavy duty metal frame, chrome finish
- The frame has a telescoping rear bracket that allows the frame to be securely fastened to cabinets with a depth range of 19-3/4" to 24"
- Frame requires a minimum cabinet opening of 14-1/2"W x 20-1/2" H

Item #	Dimensions
RVRAS-FD-KIT	14-3/4" W x 19-3/4" - 24" D x 22-5/8" H



File Drawer Systems



- Black metal frame kit that includes:
Front-to-back/left and right frame corner connectors to secure frame to wood front and back drawer and cross T-rod
- Designed for 18" and 21" base cabinets

Item #	Dimensions
RVRAS-SMFD	Letter Size 13" W x 19-1/4" L x 9-3/4" H
RVRAS-LGFD	Legal Size 15-7/8" W x 19-1/4" L x 9-3/4" H

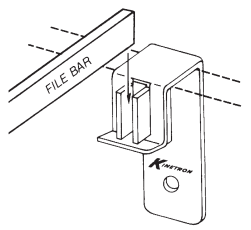
A FILE DRAWER FRAME SYSTEMS

B Pendaflex Brackets & Hanger Rail

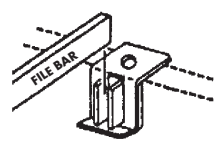


Pendaflex brackets are constructed of 16 gauge steel, are designed to affix 1/8" thick file rail and are available in four fastening varieties:

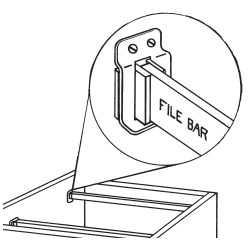
- Pendaflex hanger rail is constructed of 1/8" thick aluminum flat stock



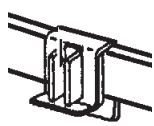
A - Designed to affix to the top of the drawer box side and fasten (via screw) to outside of drawer box. This brackets come in (2) finishes and (3) drawer box thicknesses.



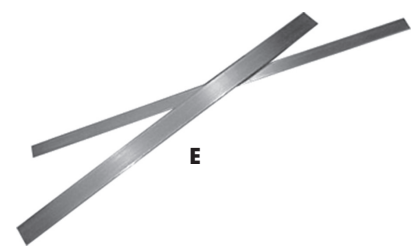
B - Designed to fasten to the top of the drawer box and be screwed into the top of the drawer side material.



C - Designed to be flush/surface mounted to interior of the drawer box side/front/back material.

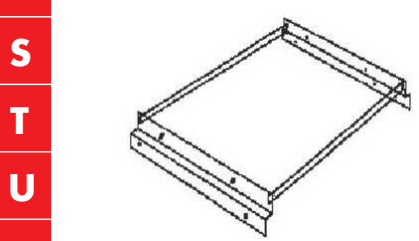


D - Designed to mount to 1/8" thick pendeflex rail and affix 1/8" pendeflex cross bar.



	Item #	Description	Bracket Style	Finish	Sold In
A	KIKHFB	Pendaflex Steel Brackets	Side Mount For 1/2" Thick Drawer Sides	Zinc	Per Each
	KIKHFBLK	Pendaflex Steel Brackets	Side Mount For 1/2" Thick Drawer Sides	Black	Per Each
	KIKHFB58ZC	Pendaflex Steel Brackets	Side Mount For 5/8" Thick Drawer Sides	Zinc	Per Each
B	KIKHFMTMZC	Pendaflex Steel Brackets	Top Mount	Zinc	Per Each
C	KIKHFMBZC	Pendaflex Steel Brackets	Flush Mount	Zinc	Per Each
D	KIKHFBSS18ZC	Pendaflex Steel Brackets	Cross Bar Mount	Zinc	Per Each

	Item #	Description	Size	Finish	Sold In
E	KICFB22ALU	Pendaflex Aluminum Hanger Rail	1/8"Thick x 5/8"H x 22"L	Aluminum	Per Each
	KICFB60ALU	Pendaflex Aluminum Hanger Rail	1/8"Thick x 5/8"H x 60"L	Aluminum	Per Each



L-Shaped Hanging File Rail

- Made of aluminum, walls .125" thick
- Locating tab for easy installation on top of drawer sides



Item #	Dimensions	Finish	Sold In
PR6063-22AM	1/2"W x 1/2"H x 21"L	Aluminum	Per Each
PR6063-8AM	1/2"W x 1/2"H x 96"L	Aluminum	Per Each



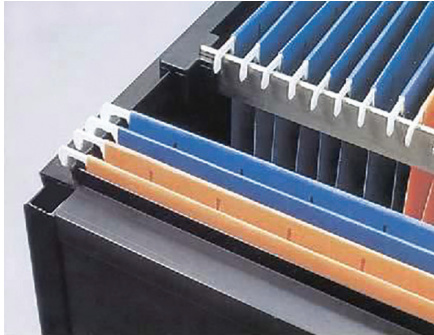
Hanging File Rail

- Made of aluminum



Item #	Dimensions	Finish	Sold In
PR2126-144AM	1/8"W x 3/4"H x 144"L	Aluminum	Per Each

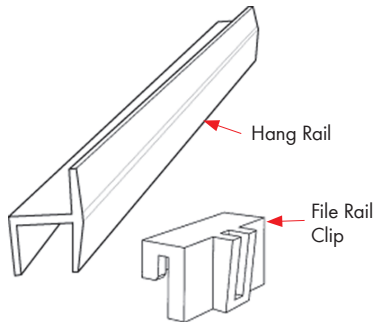
HANGING FILE RAIL SYSTEMS



Plastic Rails

- Plastic hanging rail is designed to snap onto the top of 1/2" or 5/8" thick drawer sides and remain snugly in place
- Made of black plastic, available in length of 98-1/2", and is easy to cut to needed lengths
- File rail clips mount to hang rail and allow for a standard 1/8" thick bar stock to cross from drawer side-to-side

Item #	Description	Finish
CPF-312501	98-1/2"L Hang Rail for 1/2" thick drawer sides material	White
CPF-580FR	98-1/2"L Hang Rail fo 5/8" thick drawer sides material	Black
CPF-581FR	98-1/2"L Hang Rail fo 5/8" thick drawer sides material	White



Item #	Description	Bag Qty
CPF-900K	File Rail Clip	100



Hanging File Rail

- Snap on railing for 1/2" drawer side material
- No tools required to mount to drawer
- Easily cuts to length



Item #	Color	Size	Sold In
KP2309BK	Black	1/2" x 8' Length	Per Each
KP2309WH	White	1/2" x 8' Length	Per Each



Hanging File Clip

- Snap onto railing
- No tools required to mount



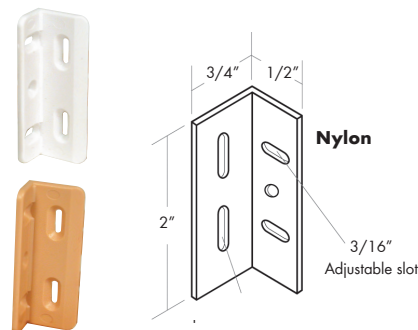
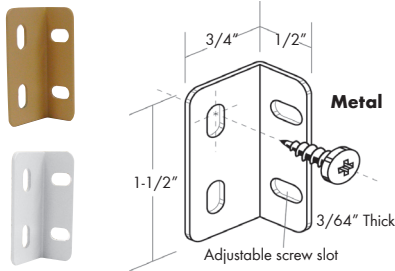
Item #	Color	Sold In
KPFCBK	Black	Per Each

DRAWER FRONT MOUNTING BRACKETS & ADJUSTERS



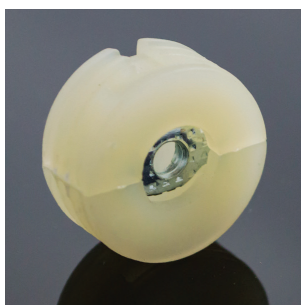
Kolbe Korner Drawer Front Mounting Brackets

- Gives you the ability to adjust drawer fronts both horizontally and vertically, no need for drawer front adjusters
- Quick and easy mounting of shaker and other style drawer fronts
- Nylon brackets include screws and covers



Description	Box Qty	Item #	Box Qty	Item #
Standard - 3/4" Leg				
Metal, Aluminum	50	FCKK50ALUM	-	-
Metal, Tan	50	FCMCK50TN	500	FCMCK500TAN
Metal, White	50	FCMCK50WH	500	FCMCK500WHITE
Nylon, Black	50	FCKK50BL	500	FCKK500BL
Nylon, Clear Maple	50	FCKK50CM	500	FCKK500CM
Nylon, Light Maple	50	FCKK50LM	500	FCKK500LM
Nylon, White	50	FCKK50WH	500	FCKK500WH
Extended - 1-1/8" Leg				
Metal, Tan	50	FCKK50LONGTN	-	-
Metal, White	50	FCKK50LONGWH	-	-
Screw Packs				
Screw & Caps, Tan	50	FCMK50SCR TAN	-	-
Screw & Caps, White	50	FCMKK50SCR WH	-	-

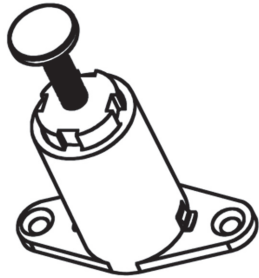
Drawer Front Adjusters



- Instead of removing the drawer repeatedly to move the adjustment screw in the slides, the adjusting is done by moving the drawer front itself
- Also allows all of the slide screws to be installed at the shop, not the job site. The fitting allows about 1/4" of movement up or down and left or right. The reverse barb design of the cam provides a tight fit and retards the chance of the cam pulling out
- Material: Nylon cam with steel threaded "floating" insert
- Specifications: 20mm diameter - The cam accepts #8 -32 thread machine screws. The length is dependent on the thickness of the sub-front and the drawer front

Item #	Description	Box Qty
PT16-9234-50WH	Adjusters	50
PT16-9234-250WH	Adjusters	250
PT16-9234-000	Adjusters	1000

DRAWER PUSHERS, LABEL HOLDERS & INDEX FOLLOWERS

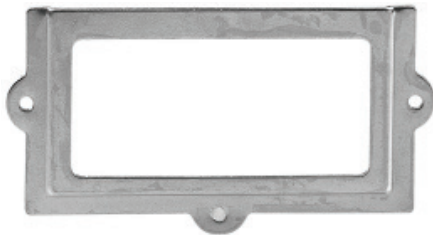


Flexa-Touch Drawer Pushers

- “Flush” drawers can be installed with no visible hardware using this pusher
- Push drawer in 1/8” and it pops open
- Mount either on the back of the drawer or through the back of the drawer (1” hole required)
- Adjustment 7/8” with 2-1/8” minimum to 3” maximum
- Includes: Screws and instructions



Item #
BA1021

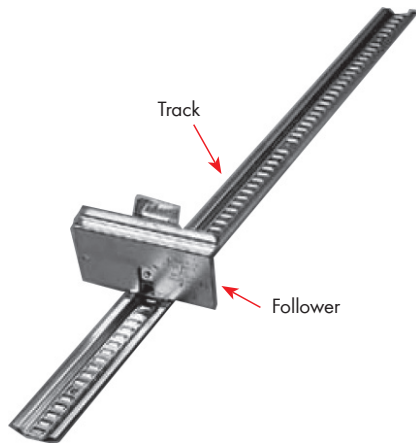


Label Holders

- Model: KV701/704
- Made of steel with anochrome finish
- Fastened by three screws per holders, screws included



Item #	Card Size	Overall Holder Size
KV701-ANO	2” x 1”	2-5/8 x 1-7/16
KV704-ANO	2-15/16” x 1-1/2”	3-1/2 X 1-3/4



Index Followers and Tracks

- Model: KV475/476 series
- Made of steel with anochrome finish
- Used to keep papers or files to the front of a drawer
- Followers come in two sizes:
 - Small for library cards, index cards or service cards
 - Large for file drawers
- Bottom track can be surfaced or recessed mounted
- Track can be cut to length



NOTE: Order follower and track separately.

Item #	Description	Follower Size
KV475F-ZC	Follower Small	4-3/4” Wide x 2-3/4” High from Track
KV476F-ZC	Follower Large	10-3/4” Wide x 7-5/8” High from Track
KV476T-ZC	Track	Track Length 26”

A
B
C
D
E
F
G
H
I
J
K
L
M
N
O
P
Q
R
S
T
U
V
W
X
Y

A DRAWER FRONT ADJUSTERS & SCREWS

B
C
D
E
F
G
H
I
J
K
L
M
N
O
P
Q
R
S
T
U
V
W
X
Y

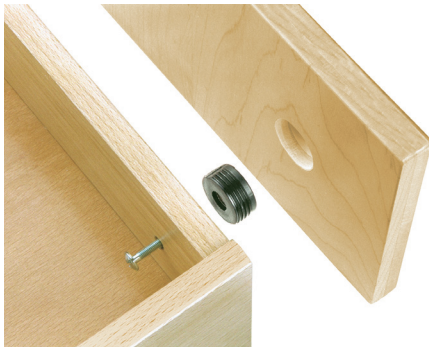


Drawer Front Adjuster

- This adjuster allows perfect false front alignment featuring 360° of movement for any applied false front drawer face
- One part drawer front adjusting fitting fits into a 25mm dia. hole in the drawer front
- Does not include a screw

Titus

Item #	Description	Box Qty
TI6309K	Drawer front adjuster	2,500

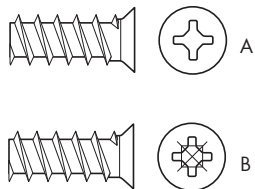
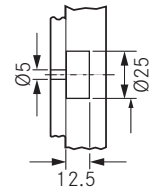


Drawer Front Adjusters

- For precise drawer front alignment
- Includes 4 x 22mm screw

G*GRASS®

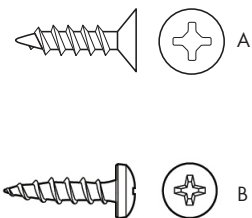
Item #	Box Qty
G351.002.01.2662	200



Euro Screws, Nickel-Plated

G*GRASS®

	Item #	Description	Box Qty
A	G83001-43	7.5mm Euro Screw (5/16")	500
	G81015	13mm Euro Screw (1/2")	500
	G83000	18mm Euro Screw (1 1/16")	500
B	G499.360.61.1015	Euro Screw 11mm (7/16") Pozi	500



Wood Screws, Nickel-Plated

G*GRASS®

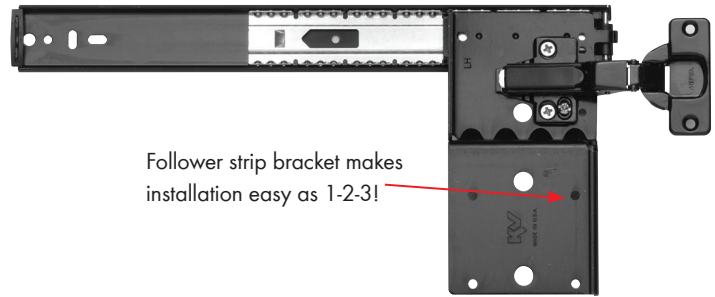
	Item #	Description	Box Qty
A	G81014-43	Wood Screw No. 6 X 1/2" FHP, Nickel	500
	G81001-43	Wood Screw No. 6 X 5/8" FHP, Nickel	500
	G6X34FHNI	Wood Screw No. 6 X 3/4" FHP, Nickel	500
B	G81007-43	Wood Screw No. 10 X 3/4" PHP, Nickel	500

POCKET DOOR SLIDES

KV Pivot Door Slides 8070/8071/8072



- 8070: 3/4 extension slide with self-close 35mm inset hinge and baseplate
- 8071: 3/4 extension slide without hinge and baseplate
- 8072: 3/4 extension slide with included hinge baseplate
- Cabinet acts as installation jig
- Cushioned stops and door hold-out
- Mounting: Side
- Action: Ball-bearing movement
- Load Rating: 30 lb. class
- Maximum Dimensions:
 - Vertical doors: 42" high x 24" wide
 - Horizontal pivot doors: 24" high x 48" wide
- Packaged 1 pair per bag with screws



8070EZ Ebony Black		8071EZ Ebony Black		8072EZ Ebony Black	
Includes standard inset hinge and baseplate		Hinges and baseplates are not included		Baseplate included; must order hinges separately	
Size	Item #	Size	Item #	Size	Item #
12"	KV8070-12BK	12"	KV8071-12BK	12"	KV8072-12BK
14"	KV8070-14BK	14"	KV8071-14BK	14"	KV8072-14BK
16"	KV8070-16BK	16"	KV8071-16BK	16"	KV8072-16BK
18"	KV8070-18BK	18"	KV8071-18BK	18"	KV8072-18BK
20"	KV8070-20BK	20"	KV8071-20BK	20"	KV8072-20BK
22"	KV8070-22BK	22"	KV8071-22BK	22"	KV8072-22BK
24"	KV8070-24BK	24"	KV8071-24BK	24"	KV8072-24BK



Hinge Kit Options

- Packaged 2 hinges per kit

Item #	Hinge Cup Size	Door Thickness	Application
Ebony Black Hinges			
KV8080H-EZS-BK	35mm	3/4"	Inset
KV8080H-EZL-BK	40mm	3/4"	Overlay
KV8080-HKEZF	35mm	3/4"	Inset - Free Swing



KV 8090P CR Raised Panel Cassette Roller

- Additional protection for raised panel doors
- Packaged 1 per polypack with screws

Item #
KV8090P-CR

A
B
C
D
E
F
G
H
I
J
K
L
M
N
O
P
Q
R
S
T
U
V
W
X
Y

A POCKET DOOR SLIDES

B
C
D
E
F
G
H
I
J
K
L
M
N
O
P
Q
R
S
T
U
V
W
X
Y



KV Pivot Door Slides, 8080/8081/8082

- 8080: 3/4 extension slide with self-close 35mm inset hinge and baseplate
- 8081: 3/4 extension slide without hinge and baseplate
- 8082: 3/4 extension slide with attached hinge baseplate
- Cushioned stops and door hold-out
- Mounting: Side
- Action: Ball-bearing movement
- Load Rating: 30 lb. class
- Maximum Dimensions:
 - Vertical doors: 42" high x 24" wide
 - Horizontal pivot doors: 24" high x 48" wide
- Packaged 1 pair per bag with screws



Includes Hinges And Bases			No Hinges Or Bases		Hinge Base Only		
	8080EZ Anochrome	8080EZ Ebony Black		8081EZ Anochrome		8082EZ Anochrome	8082EZ Ebony Black
Size	Item #	Item #	Size	Item #	Size	Item #	Item #
12"	KV8080-12	KV8080-12BK	12"	KV8081-12	12"	KV8082-12	KV8082-12BK
14"	KV8080-14	KV8080-14BK	14"	KV8081-14	14"	KV8082-14	KV8082-14BK
16"	KV8080-16	KV8080-16BK	16"	KV8081-16	16"	KV8082-16	KV8082-16BK
18"	KV8080-18	KV8080-18BK	18"	KV8081-18	18"	KV8082-18	KV8082-18BK
20"	KV8080-20	KV8080-20BK	20"	KV8081-20	20"	KV8082-20	KV8082-20BK
22"	KV8080-22	KV8080-22BK	22"	KV8081-22	22"	KV8082-22	KV8082-22BK
24"	KV8080-24	KV8080-24BK	24"	KV8081-24	24"	KV8082-24	KV8082-24BK



Hinge Kit Options

- Packaged 2 hinges per kit

Item #	Hinge Cup Size	Door Thickness	Application
Ebony Black Hinges			
KV8080H-EZS-BK	35mm	3/4"	Inset
KV8080H-EZL-BK	40mm	3/4"	Overlay
KV8080-HKEZF	35mm	3/4"	Inset - Free Swing



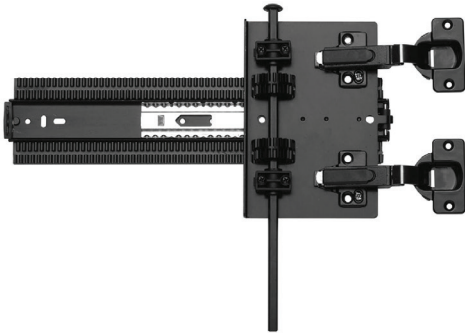
KV 8090P CR Raised Panel Cassette Roller

- Additional protection for raised panel doors
- Packaged 1 per polypack with screws

Item #
KV8090P-CR

POCKET DOOR SLIDES

KV Pivot Door Slides 8091/8092



- 8091: Hinge and baseplate not included
- 8092: Baseplate attached; hinge must be ordered separately
- Rack and pinion design
- Greatly reduces door sag
- Action: Ball-bearing movement
- Maximum Dimensions: Vertical Doors: 72" high x 26" wide
- Multiple hinge options
- Mounting: Side
- Load Rating: 75 lb class

8091 Ebony Black		8092 Ebony Black	
Hinge and baseplate not included		Baseplate attached; hinges must be ordered separately	
Size	Item #	Size	Item #
12"	KV8091-12BK	12"	KV8092-12BK
13"	KV8091-13BK	13"	KV8092-13BK
14"	KV8091-14BK	14"	KV8092-14BK
15"	KV8091-15BK	15"	KV8092-15BK
16"	KV8091-16BK	16"	KV8092-16BK
18"	KV8091-18BK	18"	KV8092-18BK
20"	KV8091-20BK	20"	KV8092-20BK
22"	KV8091-22BK	22"	KV8092-22BK
24"	KV8091-24BK	24"	KV8092-24BK
26"	KV8091-26BK	26"	KV8092-26BK
28"	KV8091-28BK	28"	KV8092-28BK
30"	KV8091-30BK	30"	KV8092-30BK

Hinge Kit Options



- Packaged 2 hinges per kit

Item #	Hinge Cup Size	Door Thickness	Application
Ebony Black Hinges			
KV8080H-EZS-BK	35mm	3/4"	Inset
KV8080H-EZL-BK	40mm	3/4"	Overlay
KV8080-HKEZF	35mm	3/4"	Inset - Free Swing

KV 8090P CR Raised Panel Cassette Roller

- Additional protection for raised panel doors
- Packed 1 per poly pack with screws; 20 per box



Item#
KV8090P-CR

KV 8092 Pinion Shafts for 4x4 Pocket Door Slides

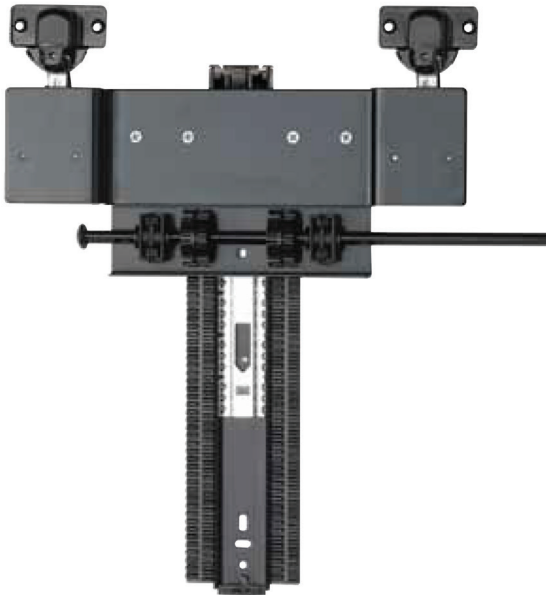
- 1 pair of shafts per pack



Length	Item #
36"	KV8092FR-36BK
48"	KV8092FR-48BK
72"	KV8092FR-72BK

A
B
C
D
E
F
G
H
I
J
K
L
M
N
O
P
Q
R
S
T
U
V
W
X
Y

A POCKET DOOR SLIDES

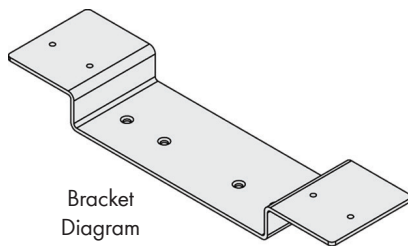


KV 4X4 Pocket Door Slides Full Overlay Kit



- Provides a full door overlay on doors up to .75" thick
- Does not compromise key performance features of 4X4 pocket door system
- Mounts directly to KV 8091 series slides
- Accommodates doors up to 75 lb and 72" in height
- Designed to meet or exceed ANSI performance standards as established by BIFMA, BHMA, and KCMA
- Finish: Black
- Polybag kit includes:
 - 2 brackets
 - 4 overlay hinges
 - 4 hinge bases
 - 4 hinge cover caps
 - 4 protective door felt pads
 - All necessary mounting hardware

Item #	Description
KV8091-3/4	Pocket Door Slide Kit with Grass Overlay Hinges
KV8091-3/4S	Pocket Door Slide Kit with Salice Overlay Hinges



Bracket Diagram

Full Overlay Kit Installation Requirements

- Overlay kits require the use of a KV 8091 series slide
- Overlay kits require the use of a pinion shaft
- Overlay kits require the use of a partition wall within the cabinet

Typical Overlay Applications

Door Thickness	Amount of Overlay	Pocket Width
3/4"	3/4"	1-3/4"
13/16"	11/16"	1-13/16"
7/8"	5/8"	1-7/8"
15/16"	9/16"	1-15/16"
1"	1/2"	2"
1-1/16"	7/16"	2-1/16"
1-1/8"	3/8"	2-1/8"
1-3/16"	5/16"	2-3/16"
1-1/4"	1/4"	2-1/4"

- Minimum Door Height: 24"
- Maximum Door Height: 72"

B
C
D
E
F
G
H
I
J
K
L
M
N
O
P
Q
R
S
T
U
V
W
X
Y

