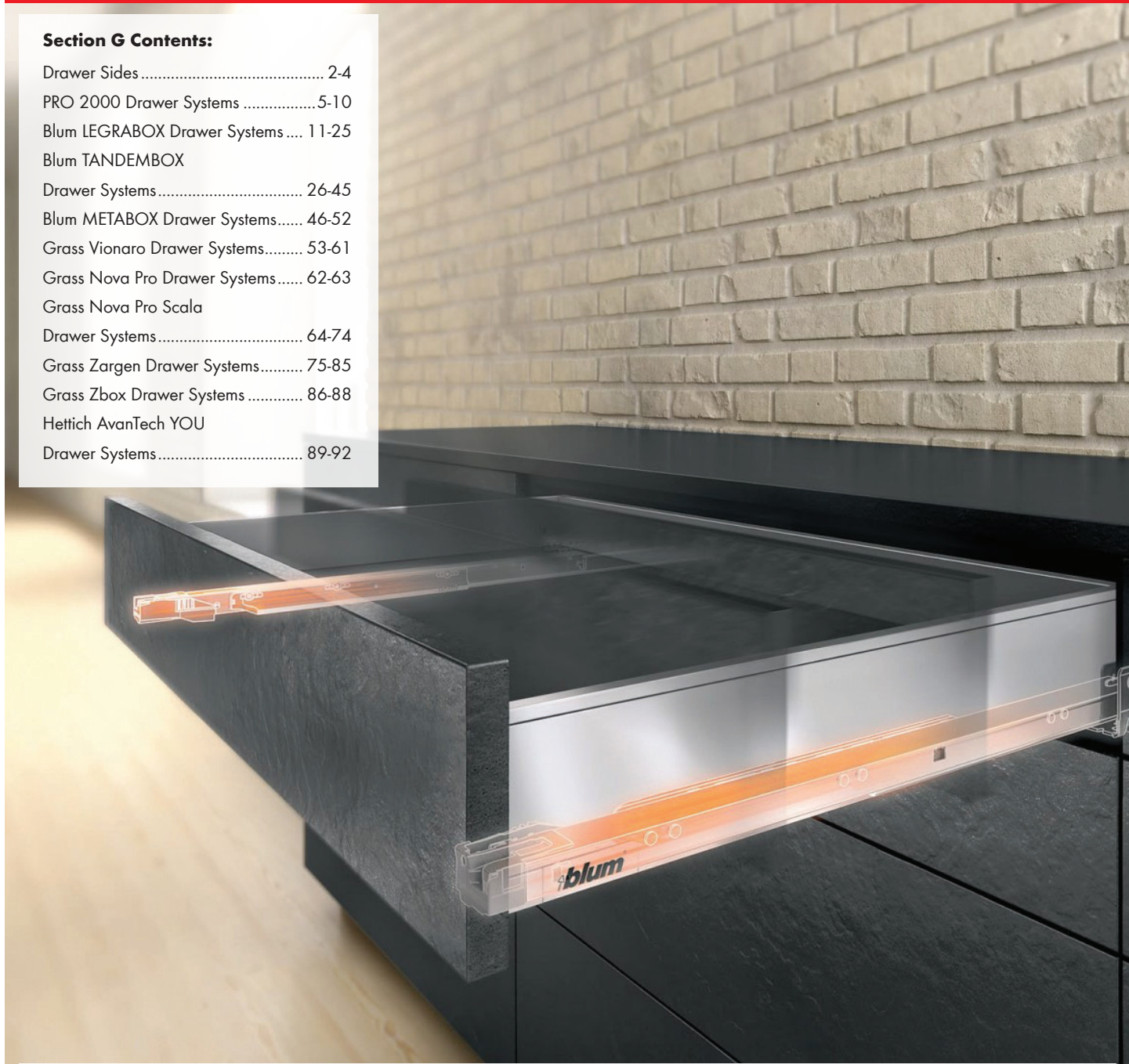


SECTION G - TABLE OF CONTENTS

Section G Contents:

Drawer Sides 2-4
 PRO 2000 Drawer Systems 5-10
 Blum LEGRABOX Drawer Systems 11-25
 Blum TANDEMBOX
 Drawer Systems 26-45
 Blum METABOX Drawer Systems 46-52
 Grass Vionaro Drawer Systems 53-61
 Grass Nova Pro Drawer Systems 62-63
 Grass Nova Pro Scala
 Drawer Systems 64-74
 Grass Zargen Drawer Systems 75-85
 Grass Zbox Drawer Systems 86-88
 Hettich AvanTech YOU
 Drawer Systems 89-92



A
B
C
D
E
F
G
H
I
J
K
L
M
N
O
P
Q
R
S
T
U
V
W
X
Y



NOTE: Some of the items in this section are not available in all markets. Please contact your Würth Louis and Company representative for more information.

A
B
C
D
E
F
G
H
I
J
K
L
M
N
O
P
Q
R
S
T
U
V
W
X
Y

DRAWER SIDES

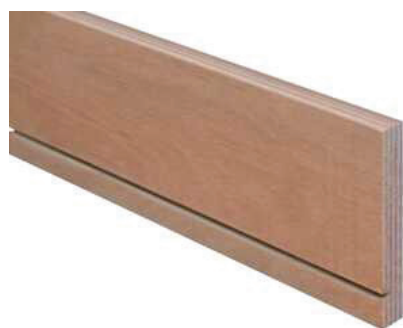


**Wood Drawer Sides,
0.47" Thick With 9/32" Groove**



- Slightly bull-nosed on top edge
- Grooved 1/2" from the bottom - enough clearance for under-mount slides
- Zero VOC UV Treated Clearcoat on both sides
- CARB II Compliant (California Air Resources Board Phase II)

Item #	Thickness	Height	Length	Groove	Species	Sold In
WWRB12MM60-3-1/2	0.47"	3-1/2"	60"	9/32"	Baltic Birch	Per Each
WWRB12MM60-4	0.47"	4"	60"	9/32"	Baltic Birch	Per Each
WWRB12MM60-6	0.47"	6"	60"	9/32"	Baltic Birch	Per Each
WWRB12MM60-8	0.47"	8"	60"	9/32"	Baltic Birch	Per Each
WWRB12MM60-10	0.47"	10"	60"	9/32"	Baltic Birch	Per Each
WWRB12MM60-11-5/8	0.47"	11-5/8"	60"	9/32"	Baltic Birch	Per Each



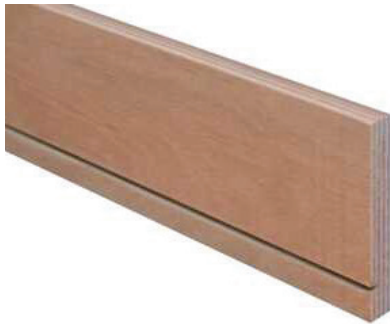
**Wood Drawer Sides,
0.59" Thick With 9/32" Groove**



- Slightly bull-nosed on top edge
- Grooved 1/2" from the bottom - enough clearance for under-mount slides
- Zero VOC UV Treated Clearcoat on both sides
- CARB II Compliant (California Air Resources Board Phase II)

Item #	Thickness	Height	Length	Groove	Species	Sold In
WWRB15MM60-2	0.59"	2"	60"	9/32"	Baltic Birch	Per Each
WWRB15MM60-3-1/2	0.59"	3-1/2"	60"	9/32"	Baltic Birch	Per Each
WWRB15MM60-4	0.59"	4"	60"	9/32"	Baltic Birch	Per Each
WWRB15MM60-6	0.59"	6"	60"	9/32"	Baltic Birch	Per Each
WWRB15MM60-8	0.59"	8"	60"	9/32"	Baltic Birch	Per Each
WWRB15MM60-10	0.59"	10"	60"	9/32"	Baltic Birch	Per Each
WWRB15MM60-11-5/8	0.59"	11-5/8"	60"	9/32"	Baltic Birch	Per Each

DRAWER SIDES



**Wood Drawer Sides,
0.47" Thick With 1/4" Groove**



- Slightly bull-nosed on top edge
- Grooved 1/2" from the bottom - enough clearance for under-mount slides
- Zero VOC UV Treated Clearcoat on both sides
- CARB II Compliant (California Air Resources Board Phase II)

Item #	Thickness	Height	Length	Groove	Species	Sold In
WWRB12MM60-3-1/2Q	0.47"	3-1/2"	60"	1/4"	Baltic Birch	Per Each
WWRB12MM60-4Q	0.47"	4"	60"	1/4"	Baltic Birch	Per Each
WWRB12MM60-6Q	0.47"	6"	60"	1/4"	Baltic Birch	Per Each
WWRB12MM60-8Q	0.47"	8"	60"	1/4"	Baltic Birch	Per Each
WWRB12MM60-10Q	0.47"	10"	60"	1/4"	Baltic Birch	Per Each

**Drawer Side Material For Closets
1/2" Thick Miterfold White Vinyl Wrapped Blanks**



- Designed for standard 18" and 24" W x 14" D closet openings
- Drawers assemble quickly from blanks by using wood glue, folding sides around matching drawer bottom and closing remaining side onto dowels
- BHK miterfold white vinyl drawer sides are sealed with "Durawrap", an abrasion resistant surface that is durable and easy to clean
- Vinyl material is 8 mil thick and is non-flammable, the core is made of high density particle board for greater screw holding strength
- All vinyl miterfold drawers have 1/4" drawer bottom dado and 3/8" bottom reveal

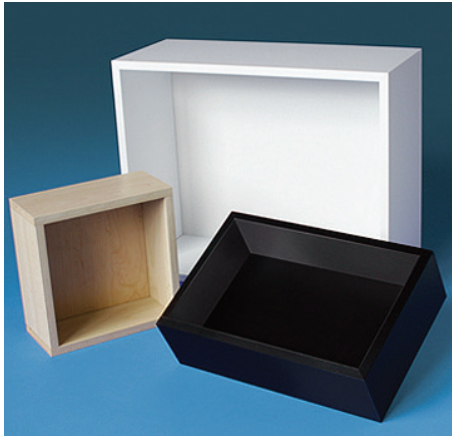
NOTE: Other sizes and colors/woodgrains available with 100 piece minimum per size.



Item #	Size
Drawer Sides For 18" W x 14" D Opening	
BHKSFBDM18	13.77" (350mm) D x 16.96" (431mm) W x 7" (178mm) H
Drawer Sides For 24" W x 14" D Opening	
BHKSFBDS24	13.77" (350mm) D x 22.95" (583mm) W x 2.75" (70mm) H
BHKSFDA24	13.77" (350mm) D x 22.95" (583mm) W x 4.5" (114mm) H
BHKSFBDM24	13.77" (350mm) D x 22.95" (583mm) W x 7" (178mm) H
Drawer Bottom For Above 18" Wide Drawer	
BHKSFBBT18	1/4" Thick x 13.18" (335mm) D x 16.38" (416mm) W
Drawer Bottom For Above 24" Wide Drawer	
BHKSFBBT24	1/4" Thick x 13.18" (335mm) D x 22.36" (568mm) W

A
B
C
D
E
F
G
H
I
J
K
L
M
N
O
P
Q
R
S
T
U
V
W
X
Y

A DRAWER SIDES



1/2" Thick Solid Wood, Wood Veneer Plywood & Vinyl Wrapped Blanks



- Vinyl "Durawrap" material is 8 mil thick and non-flammable, blanks have a core made of high density particle board for greater screw holding strength
- Pre-finished with "Endura" ultra violet cured top coat and are ready to assemble
- All drawer blanks have 1/4" drawer bottom dado and a 3/8" bottom reveal
- In-stock 1/2" Maple Plywood, Baltic Birch Plywood and SuperMatte Vinyl in Black and White colors
- Baltic Birch Plywood blanks are made from 1st quality Baltic Birch veneers, bonded to ANSI/BIFMA spec 7 layer plywood cores
- Blanks have a square edge profile

NOTE: Other heights and species available.
Also available in complete assembled or unassembled drawers.

Wood Drawer Sides - 8' Length (Except Baltic Birch is 5' Length)		
Drawer Height	1/2" Thick Maple Item #	12mm Thick Baltic Birch Item #
2-3/4"	-	BHK02.75X5G-RB
3"	BHK03X8G-MPL	BHK03X5G-RB
4"	BHK04X8G-MPL	BHK04X5G-RB
5"	BHK05X8G-MPL	BHK05X5G-RB
6"	BHK06X8G-MPL	BHK06X5G-RB
7"	BHK07X8G-MPL	-
8"	BHK08X8G-MPL	BHK08X5G-RB
10"	BHK10X8G-MPL	BHK10X5G-RB
1/2" Thick Vinyl Drawer Sides - 8' Length		
Drawer Height	White Vinyl Item #	Black Vinyl Item #
2-3/4"	BHK02.75X8G-WH	-
3"	BHK3X8G-WH	-
3-1/2"	BHK03.5X8G-WH	-
4"	BHK4X8G-WH	BHK4X8G-BLK
5"	BHK05X8G-WH	-
5-1/2"	BHK5.5X8G-WH	-
6"	BHK06X8G-WH	-
7"	BHK07X8G-WH	-
7-3/4"	BHK7.75X8G-WH	-
10"	BHK10X8G-WH	BHK10X8G-BLK

PRO 2000 GREY DOUBLE WALL DRAWER KITS

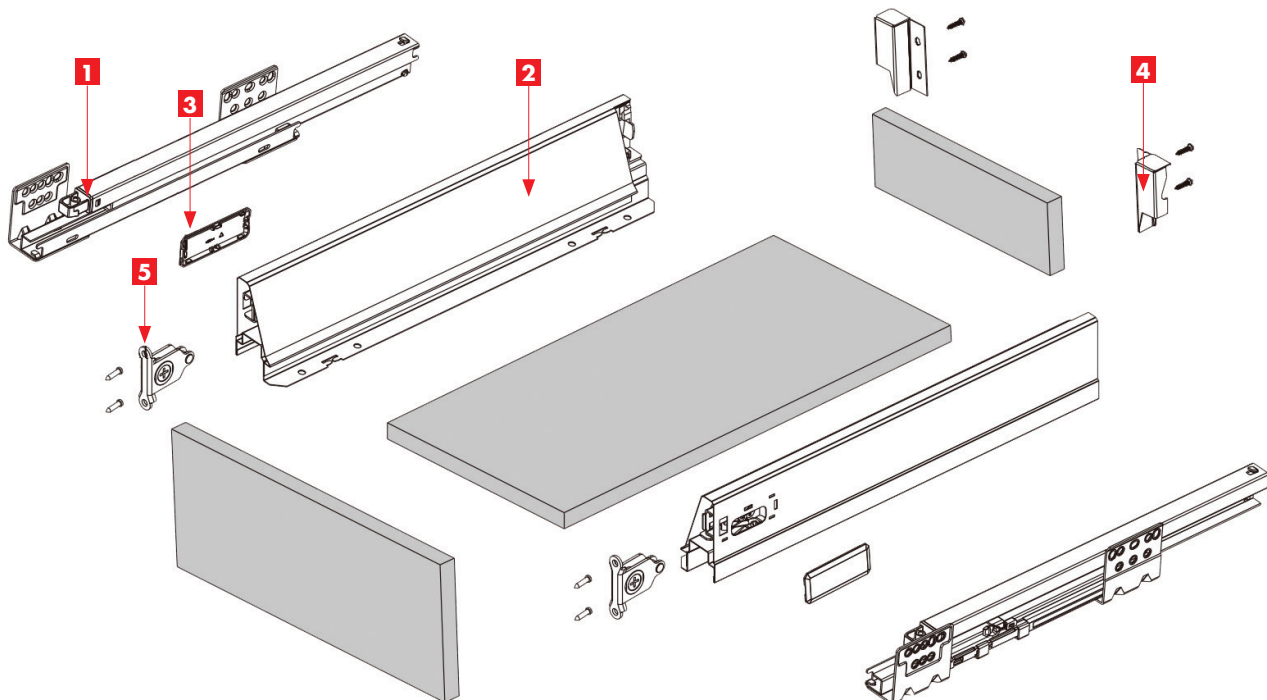


- Full extension synchronized drawer slides allow for easy use of the entire drawer, with no wasted space
- Soft-close for a smooth and quiet closing action
- 2D adjustment with vertical and horizontal adjustment of the front panel
- Silver drawer kits available Special Order

Kit Includes (see diagram):

1. Concealed Drawer Runners - Left & Right
2. Powder-Coated Drawer Sides - Left & Right
3. Polymer Cover Caps - Left & Right
4. 86mm/3.39" Back Panel Adapters - Left & Right
5. Front Fixing Brackets (w/dowel) - 2 pieces

Item #	Height	Length
PRO2000SLDG-270	86mm/3.39"	270mm/10"
PRO2000SLDG-300	86mm/3.39"	300mm/12"
PRO2000SLDG-350	86mm/3.39"	350mm/14"
PRO2000SLDG-400	86mm/3.39"	400mm/16"
PRO2000SLDG-450	86mm/3.39"	450mm/18"
PRO2000SLDG-500	86mm/3.39"	500mm/20"
PRO2000SLDG-550	86mm/3.39"	550mm/22"



A
B
C
D
E
F
G
H
I
J
K
L
M
N
O
P
Q
R
S
T
U
V
W
X
Y

A PRO 2000 GALLERY RAIL REAR BRACKETS (OPTIONAL)



H130 Single Gallery Rail

Extends the Drawer Height for Base Drawers

Turn 86mm/3.39" drawers into 130mm/5.12" or 190mm/7.48" heights without having to change the slide mechanism!



Steps:

- 1.) Choose drawer system from previous page
- 2.) Choose rear adapter to achieve desired height and number of gallery rails (below)
- 3.) Choose style and length of the gallery rail (next page)



H190 Single Gallery Rail

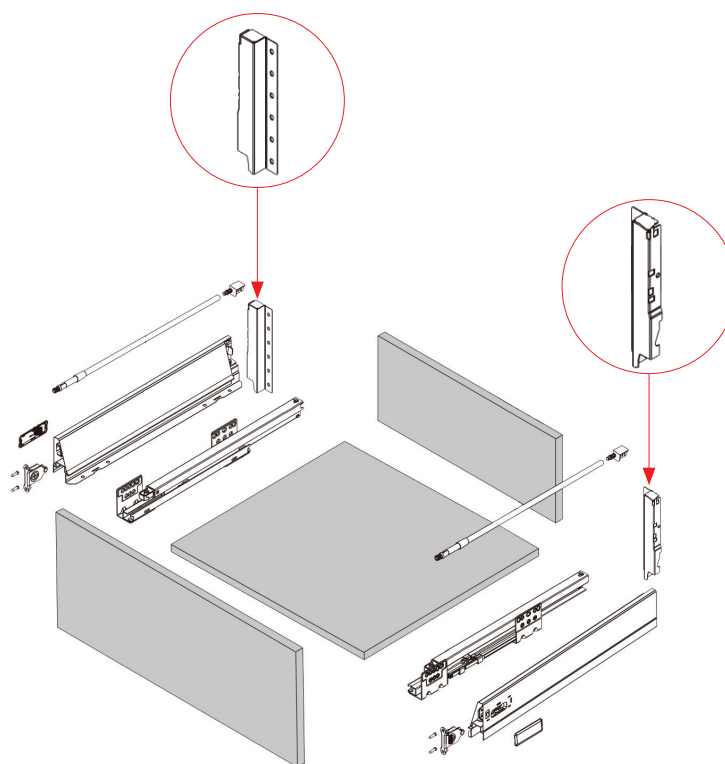
Rear Adapters

Sold as a pair - includes left & right bracket

Item #	Height	Style
PRO2000RBG-130	130mm/5.12"	Rear Adapter for 1 Gallery Rail
PRO2000RBG190	190mm/7.48"	Rear Adapter for 1 & 2 Gallery Rails



H190 Double Gallery Rail



A
B
C
D
E
F
G
H
I
J
K
L
M
N
O
P
Q
R
S
T
U
V
W
X
Y

PRO 2000 GALLERY RAILS (OPTIONAL)

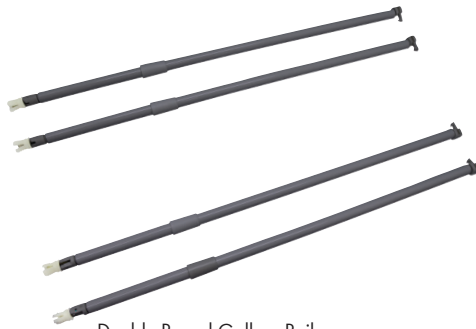
- A variety of styles with single round, double round, and single square options available
- Both round and square gallery rails are compatible with the same rear bracket
- H130/H190 drawers can be used in multiple applications such as in kitchen pan drawers and office file drawers



Single Square Gallery Rails



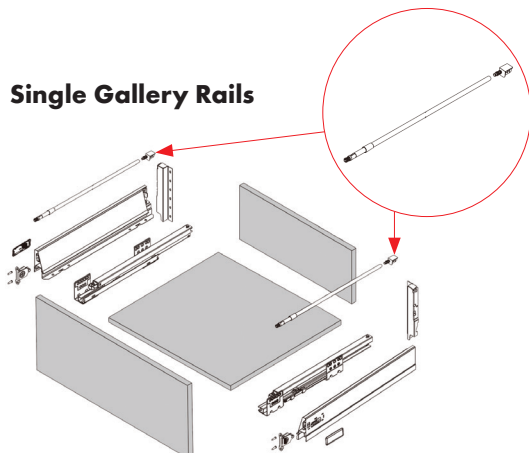
Single Round Gallery Rails



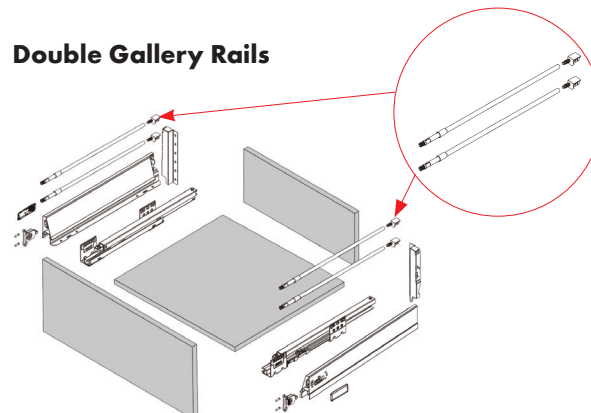
Double Round Gallery Rails

Item #	Length
Single Square Gallery Rails - Includes 2 gallery rails plus clips to mount to rear brackets	
PRO2000SSQG-270	270mm/10"
PRO2000SSQG-300	300mm/12"
PRO2000SSQG-350	350mm/14"
PRO2000SSQG-400	400mm/16"
PRO2000SSQG-450	450mm/18"
PRO2000SSQG-500	500mm/20"
PRO2000SSQG-550	550mm/22"
Single Round Gallery Rails - Includes 2 gallery rails plus clips to mount onto rear brackets	
PRO2000SRDG-270	270mm/10"
PRO2000SRDG-300	300mm/12"
PRO2000SRDG-350	350mm/14"
PRO2000SRDG-400	400mm/16"
PRO2000SRDG-450	450mm/18"
PRO2000SRDG-500	500mm/20"
PRO2000SRDG-550	550mm/22"
Double Round Gallery Rails - Includes 4 gallery rails plus clips to mount onto rear brackets	
PRO2000DRDG-270	270mm/10"
PRO2000DRDG-300	300mm/12"
PRO2000DRDG-350	350mm/14"
PRO2000DRDG-400	400mm/16"
PRO2000DRDG-450	450mm/18"
PRO2000DRDG-500	500mm/20"
PRO2000DRDG-550	550mm/22"

Single Gallery Rails



Double Gallery Rails

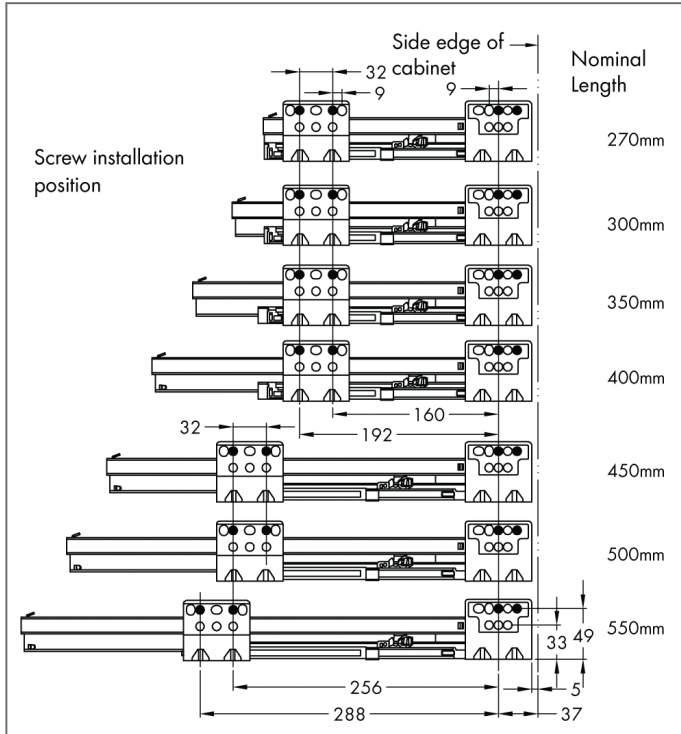


A
B
C
D
E
F
G
H
I
J
K
L
M
N
O
P
Q
R
S
T
U
V
W
X
Y

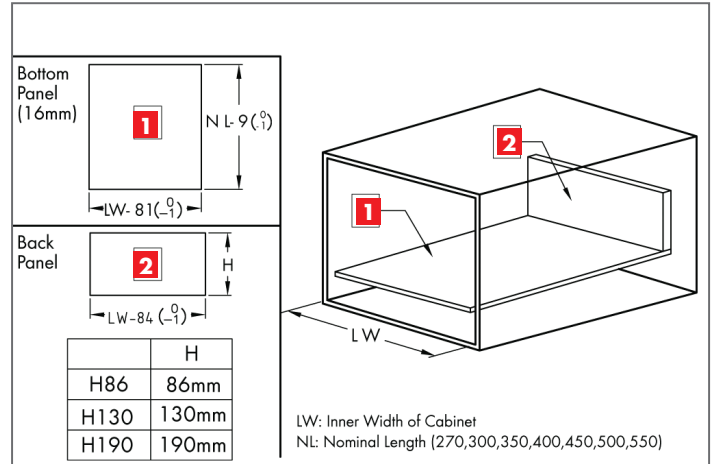
A PRO 2000 INSTALLATION INSTRUCTIONS & SPECS

B
C
D
E
F
G
H
I
J
K
L
M
N
O
P
Q
R
S
T
U
V
W
X
Y

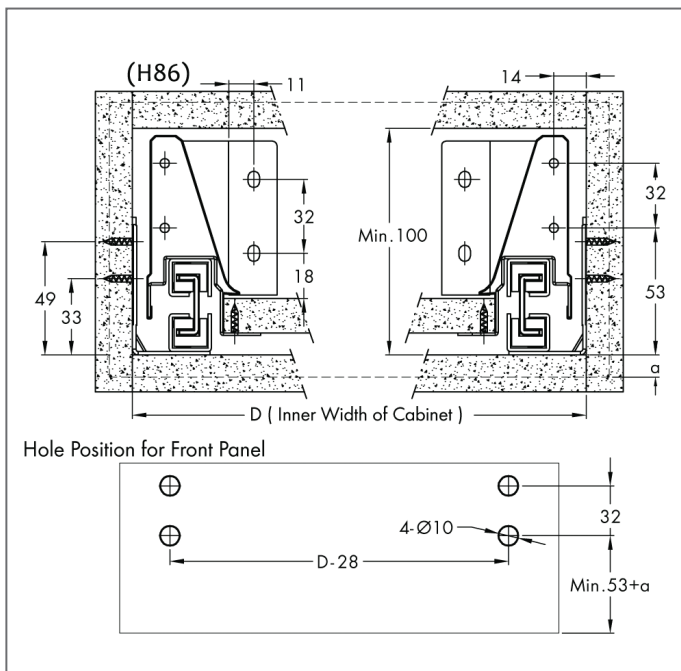
Runner Installation



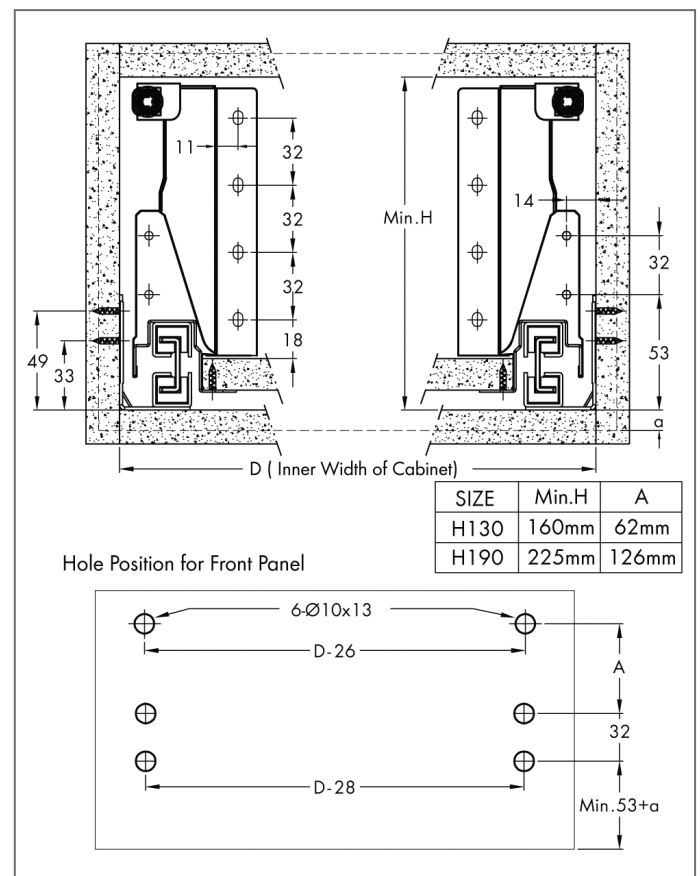
Blanking Size of Bottom & Back Panel



Drawer Box Installation (H86)



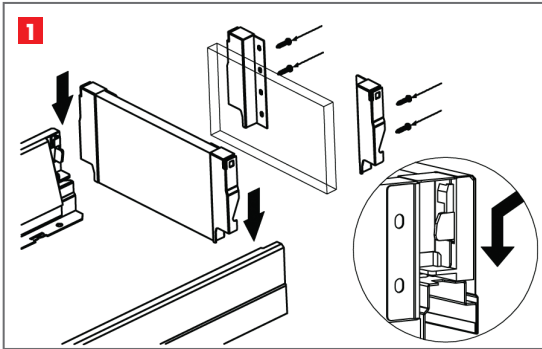
Drawer Box Installation (H130/H190)



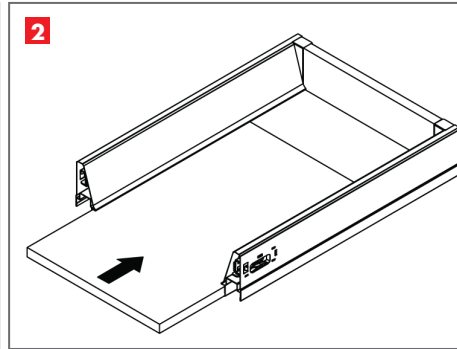
PRO 2000 ASSEMBLY INSTRUCTIONS



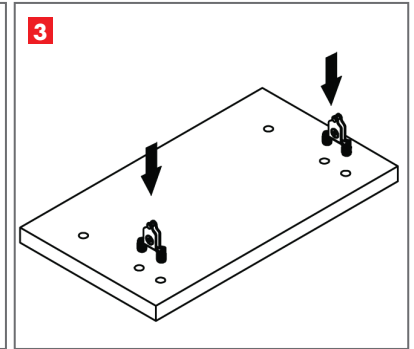
Back assembly



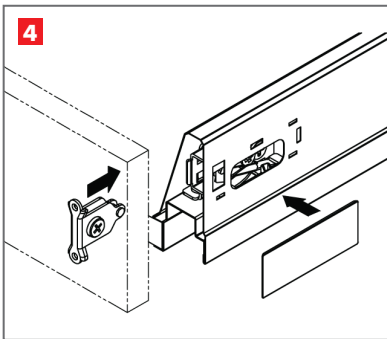
Bottom assembly



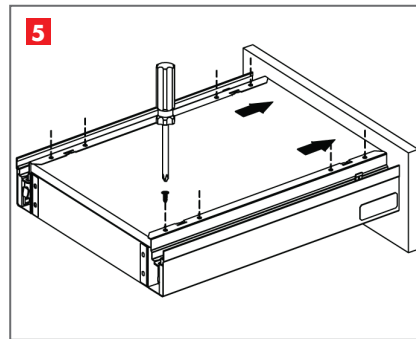
Front assembly



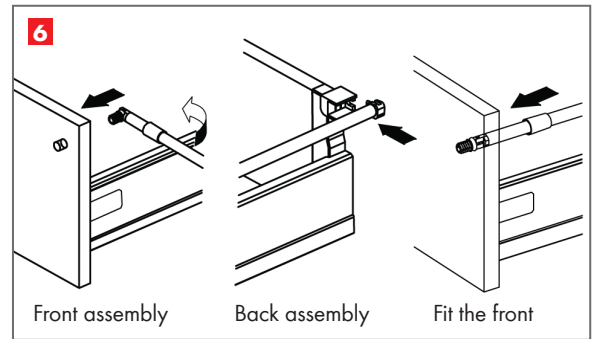
Front assembly



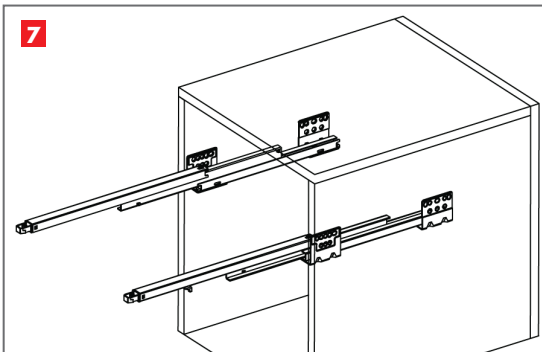
Fix screws



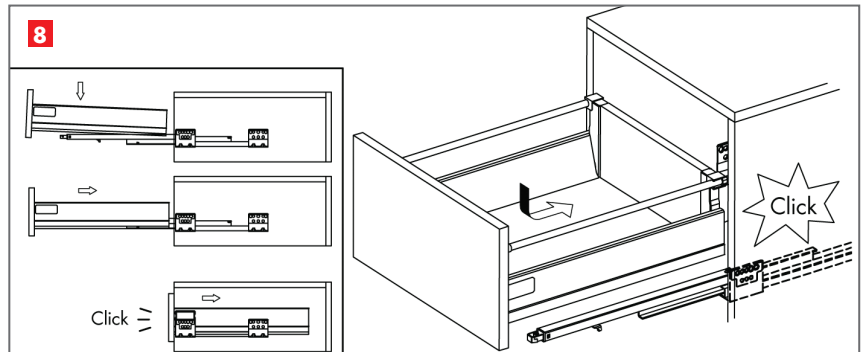
Rails assembly



Fix slides



Slide into the cabinet



A
B
C
D
E
F
G
H
I
J
K
L
M
N
O
P
Q
R
S
T
U
V
W
X
Y

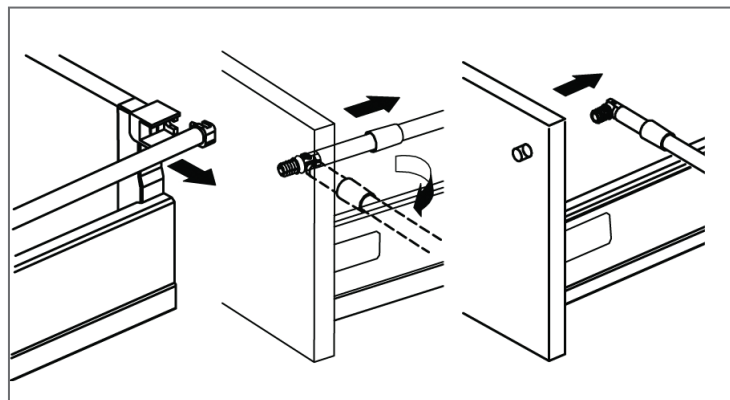
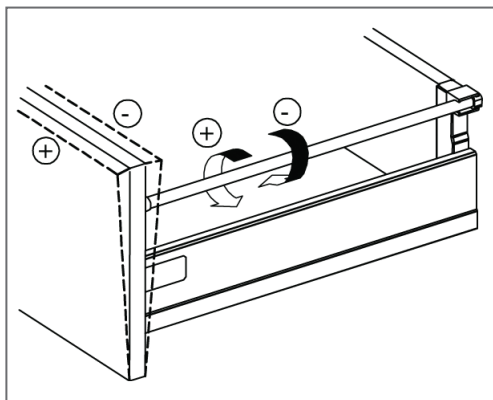
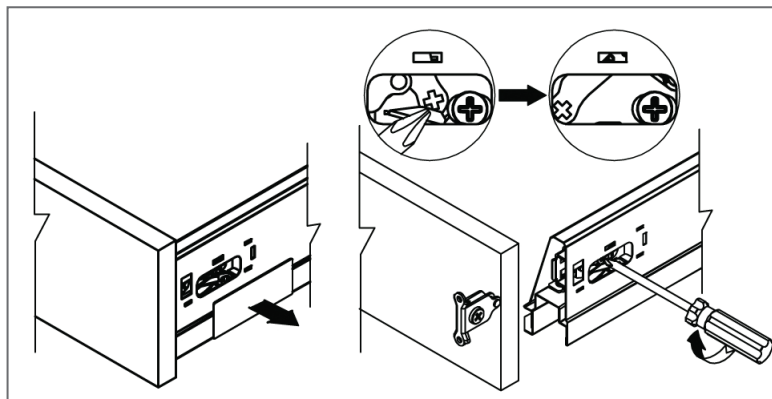
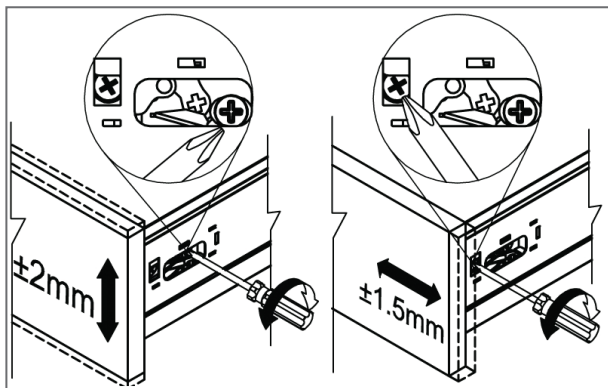
A PRO 2000 ADJUSTMENT & DISASSEMBLY INSTRUCTIONS

A
B
C
D
E
F
G
H
I
J
K
L
M
N
O
P
Q
R
S
T
U
V
W
X
Y

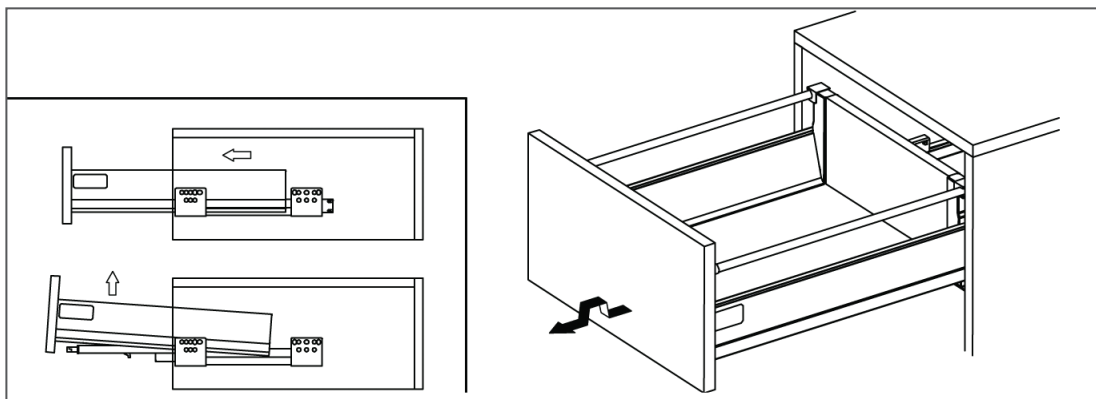


Tip up the cover and pull out

Pull out the drawer



Pull out the drawer



BLUM LEGRABOX PREMIUM METAL DRAWER SYSTEMS

A
B
C
D
E
F
G
H
I
J
K
L
M
N
O
P
Q
R
S
T
U
V
W
X
Y



LEGRABOX 2-5/8" (66.5mm) N Height Drawer Kits



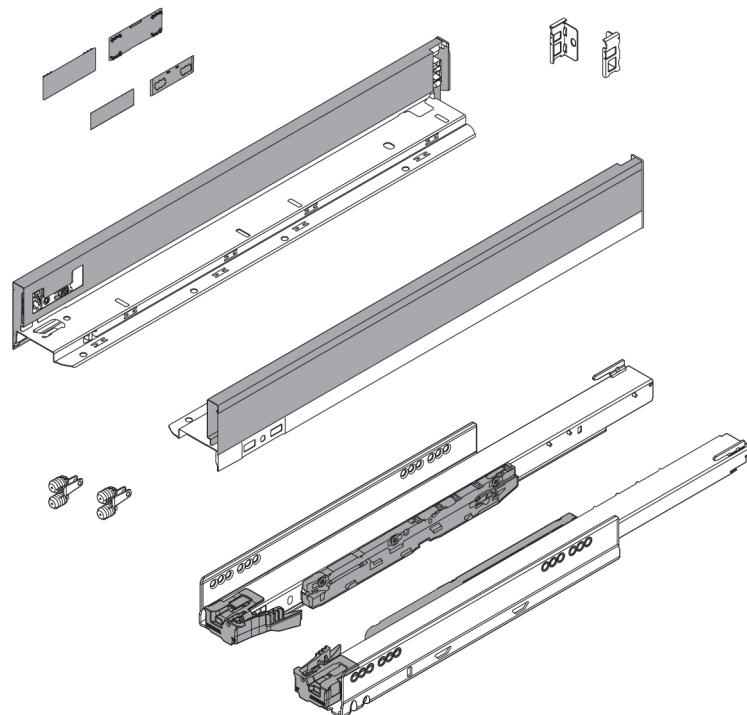
- Full extension drawer system with BLUMOTION
- Smooth running action
- Two-dimensional drawer front adjustment
- Compatible with TIP-ON BLUMOTION and SERVO-DRIVE
- Available finishes: orion gray and stainless steel

Drawer kit includes:

- (1) pair of drawer profiles (color coordinated cover caps included in a drawer profile box inside the kit)
- (1) pair of cabinet profiles
- (1) pair of rear fixing brackets
- (1) set of front fixing brackets

Orion Gray Item #	Stainless Steel Item #	Length	Load Capacity
125 lb Static/110 lb Dynamic			
B770N45S-18GR	B770N45S-18SS	18"	125 lb Static/110 lb Dynamic
B770N50S-20GR	B770N50S-20SS	20"	125 lb Static/110 lb Dynamic
B770N55S-22GR	B770N55S-22SS	22"	125 lb Static/110 lb Dynamic

Components:



BLUM LEGRABOX PREMIUM METAL DRAWER SYSTEMS



**LEGRABOX 3-9/16" (90.5mm)
M Height Drawer Kits**



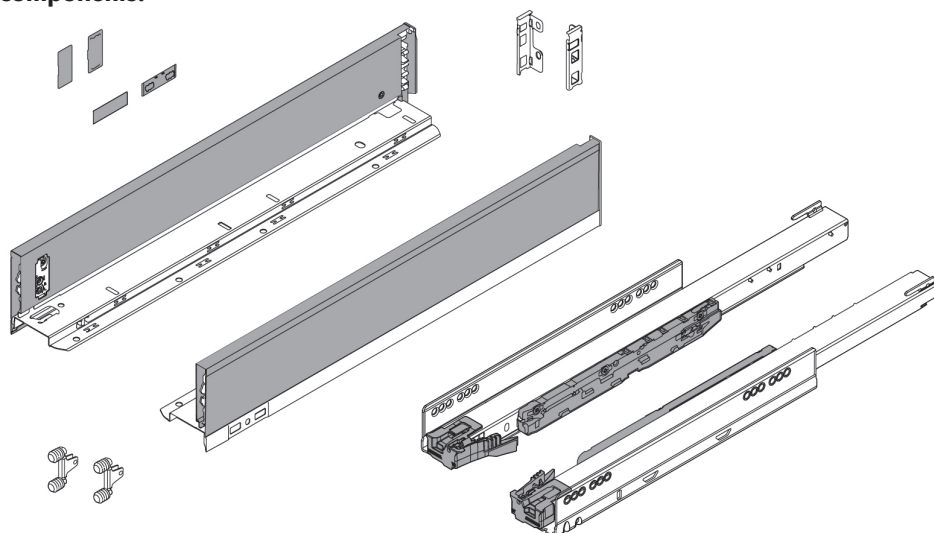
- Full extension drawer system with BLUMOTION
- Smooth running action
- Two-dimensional drawer front adjustment
- Compatible with TIP-ON BLUMOTION and SERVO-DRIVE
- Available finishes: orion gray and stainless steel

Drawer kit includes:

- (1) pair of drawer profiles (color coordinated cover caps included in a drawer profile box inside the kit)
- (1) pair of cabinet profiles
- (1) pair of rear fixing brackets
- (1) set of front fixing brackets

Orion Gray Item #	Stainless Steel Item #	Length	Load Capacity
125 lb Static/110 lb Dynamic			
B770M27S-11GR	B770M27S-11SS	11"	125 lb Static/110 lb Dynamic
B770M35S-14GR	B770M35S-14SS	14"	125 lb Static/110 lb Dynamic
B770M40S-16GR	B770M40S-16SS	16"	125 lb Static/110 lb Dynamic
B770M45S-18GR	B770M45S-18SS	18"	125 lb Static/110 lb Dynamic
B770M50S-20GR	B770M50S-20SS	20"	125 lb Static/110 lb Dynamic
B770M55S-22GR	B770M55S-22SS	22"	125 lb Static/110 lb Dynamic
170 lb Static/155 lb Dynamic			
B773M45S-18GR	B773M45S-18SS	18"	170 lb Static/155 lb Dynamic
B773M50S-20GR	B773M50S-20SS	20"	170 lb Static/155 lb Dynamic
B773M55S-22GR	B773M55S-22SS	22"	170 lb Static/155 lb Dynamic
B773M60S-24GR	B773M60S-24SS	24"	170 lb Static/155 lb Dynamic
B773M65S-26GR	B773M65S-26SS	26"	170 lb Static/155 lb Dynamic

Components:



BLUM LEGRABOX PREMIUM METAL DRAWER SYSTEMS

A
B
C
D
E
F
G
H
I
J
K
L
M
N
O
P
Q
R
S
T
U
V
W
X
Y

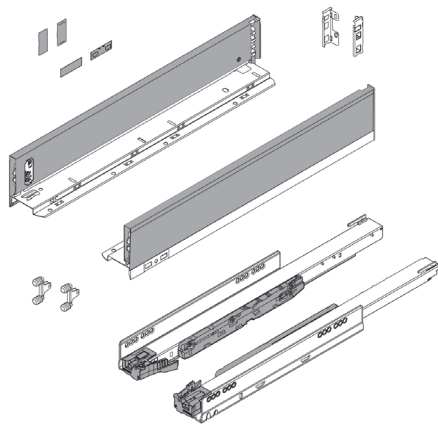


**LEGRABOX 3-9/16" (90.5mm)
M Height Drawer Kits w/Interior Roll Out**

- Full extension drawer system with BLUMOTION
- Smooth running action
- Two-dimensional drawer front adjustment
- Compatible with TIP-ON BLUMOTION and SERVO-DRIVE
- Available finishes: orion gray and stainless steel

Drawer kit includes:

- (1) pair of drawer profiles (color coordinated cover caps included in a drawer profile box inside the kit)
- (1) pair of cabinet profiles
- (1) pair of rear fixing brackets
- (1) set of front fixing brackets



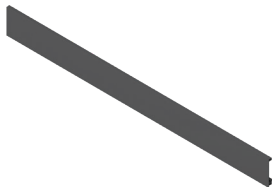
Orion Gray Item #	Stainless Steel Item #	Length	Load Capacity
125 lb Static/110 lb Dynamic			
B770M27S-11GR	B770M27S-11SS	11"	125 lb Static/110 lb Dynamic
B770M35S-14GR	B770M35S-14SS	14"	125 lb Static/110 lb Dynamic
B770M40S-16GR	B770M40S-16SS	16"	125 lb Static/110 lb Dynamic
B770M45S-18GR	B770M45S-18SS	18"	125 lb Static/110 lb Dynamic
B770M50S-20GR	B770M50S-20SS	20"	125 lb Static/110 lb Dynamic
B770M55S-22GR	B770M55S-22SS	22"	125 lb Static/110 lb Dynamic
170 lb Static/155 lb Dynamic			
B773M45S-18GR	B773M45S-18SS	18"	170 lb Static/155 lb Dynamic
B773M50S-20GR	B773M50S-20SS	20"	170 lb Static/155 lb Dynamic
B773M55S-22GR	B773M55S-22SS	22"	170 lb Static/155 lb Dynamic
B773M60S-24GR	B773M60S-24SS	24"	170 lb Static/155 lb Dynamic
B773M65S-26GR	B773M65S-26SS	26"	170 lb Static/155 lb Dynamic

Required Components for Interior Roll Out

Front Piece

- Length 41-1/16" (1043mm), cut to size

Orion Gray Item #	Stainless Steel Item #
BZV7.1043C01-GR	BZV7.1043C01-ELN

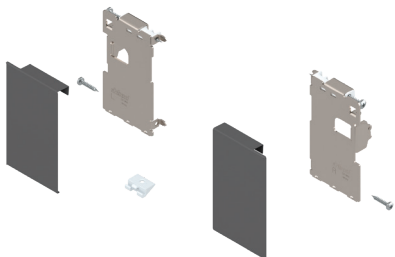


Interior Front Fixing Bracket Set

Set Includes:

- Left and right front fixing brackets
- Left and right outer cover caps
- Locking piece
- Screws

Orion Gray Item #	Stainless Steel Item #
BZ17.0MS0-GR	BZ17.0MI0-IGL



A
B
C
D
E
F
G
H
I
J
K
L
M
N
O
P
Q
R
S
T
U
V
W
X
Y

BLUM LEGRABOX PREMIUM METAL DRAWER SYSTEMS



**LEGRABOX 5-1/16" (128.5mm)
K Height Drawer Kits**



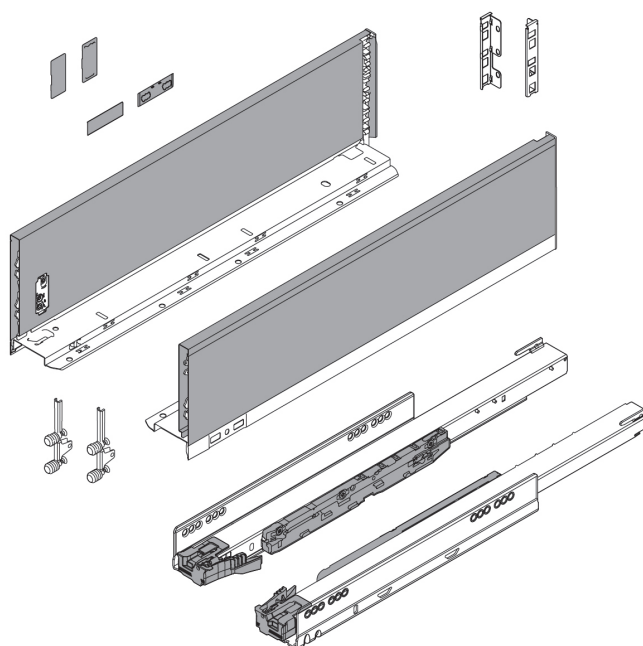
- Full extension drawer system with BLUMOTION
- Smooth running action
- Two-dimensional drawer front adjustment
- Compatible with TIP-ON BLUMOTION and SERVO-DRIVE
- Available finishes: orion gray and stainless steel

Drawer kit includes:

- (1) pair of drawer profiles (color coordinated cover caps included in a drawer profile box inside the kit)
- (1) pair of cabinet profiles
- (1) pair of rear fixing brackets
- (1) set of front fixing brackets

Orion Gray Item #	Stainless Steel Item #	Length	Load Capacity
125 lb Static/110 lb Dynamic			
B770K35S-14GR	B770K35S-14SS	14"	125 lb Static/110 lb Dynamic
B770K40S-16GR	B770K40S-16SS	16"	125 lb Static/110 lb Dynamic
B770K45S-18GR	B770K45S-18SS	18"	125 lb Static/110 lb Dynamic
B770K50S-20GR	B770K50S-20SS	20"	125 lb Static/110 lb Dynamic
B770K55S-22GR	B770K55S-22SS	22"	125 lb Static/110 lb Dynamic
170 lb Static/155 lb Dynamic			
B773K45S-18GR	B773K45S-18SS	18"	170 lb Static/155 lb Dynamic
B773K50S-20GR	B773K50S-20SS	20"	170 lb Static/155 lb Dynamic
B773K55S-22GR	B773K55S-22SS	22"	170 lb Static/155 lb Dynamic

Components:



BLUM LEGRABOX PREMIUM METAL DRAWER SYSTEMS



LEGRABOX 7" (177mm) C Height Drawer Kits



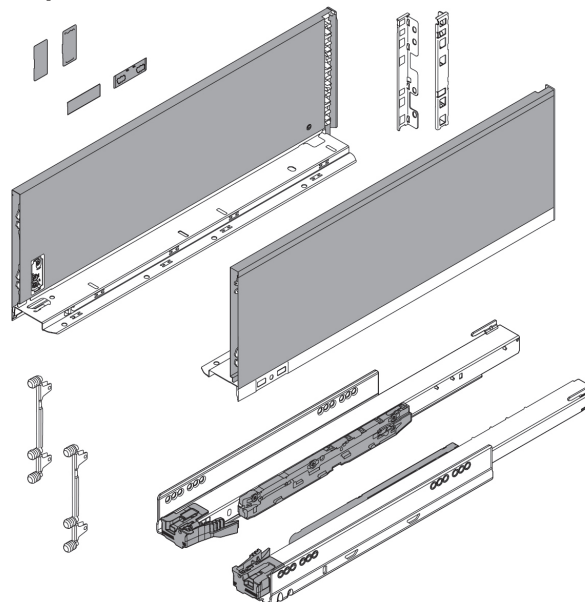
- Full extension drawer system with BLUMOTION
- Smooth running action
- Two-dimensional drawer front adjustment
- Compatible with TIP-ON BLUMOTION and SERVO-DRIVE
- Available finishes: orion gray and stainless steel

Drawer kit includes:

- (1) pair of drawer profiles (color coordinated cover caps included in a drawer profile box inside the kit)
- (1) pair of cabinet profiles
- (1) pair of rear fixing brackets
- (1) set of front fixing brackets

Orion Gray Item #	Stainless Steel Item #	Length	Load Capacity
125 lb Static/110 lb Dynamic			
B770C27S-11GR	B770C27S-11SS	11"	125 lb Static/110 lb Dynamic
B770C35S-14GR	B770C35S-14SS	14"	125 lb Static/110 lb Dynamic
B770C40S-16GR	B770C40S-16SS	16"	125 lb Static/110 lb Dynamic
B770C45S-18GR	B770C45S-18SS	18"	125 lb Static/110 lb Dynamic
B770C50S-20GR	B770C50S-20SS	20"	125 lb Static/110 lb Dynamic
B770C55S-22GR	B770C55S-22SS	22"	125 lb Static/110 lb Dynamic
170 lb Static/155 lb Dynamic			
B773C45S-18GR	B773C45S-18SS	18"	170 lb Static/155 lb Dynamic
B773C50S-20GR	B773C50S-20SS	20"	170 lb Static/155 lb Dynamic
B773C55S-22GR	B773C55S-22SS	22"	170 lb Static/155 lb Dynamic
B773C60S-24GR	B773C60S-24SS	24"	170 lb Static/155 lb Dynamic
B773C65S-26GR	B773C65S-26SS	26"	170 lb Static/155 lb Dynamic

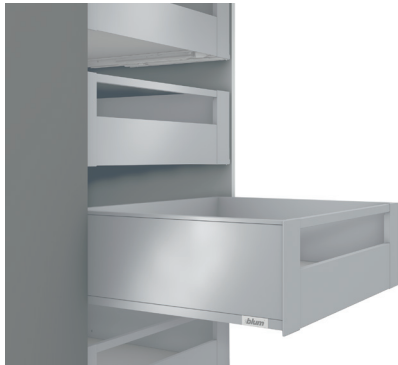
Components:



A
B
C
D
E
F
G
H
I
J
K
L
M
N
O
P
Q
R
S
T
U
V
W
X
Y

A
B
C
D
E
F
G
H
I
J
K
L
M
N
O
P
Q
R
S
T
U
V
W
X
Y

BLUM LEGRABOX PREMIUM METAL DRAWER SYSTEMS



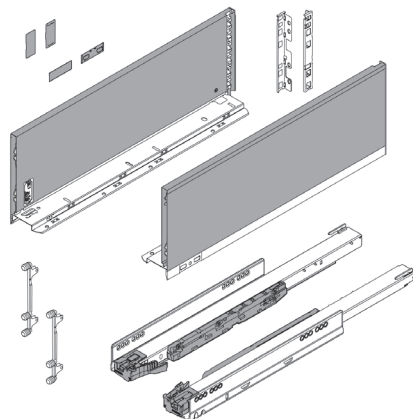
LEGRABOX 7" (177mm)

C Height Drawer Kits w/Interior Roll Out

- Full extension drawer system with BLUMOTION
- Smooth running action
- Two-dimensional drawer front adjustment
- Compatible with TIP-ON BLUMOTION and SERVO-DRIVE
- Available finishes: orion gray and stainless steel

Drawer kit includes:

- (1) pair of drawer profiles (color coordinated cover caps included in a drawer profile box inside the kit)
- (1) pair of cabinet profiles
- (1) pair of rear fixing brackets
- (1) set of front fixing brackets



Orion Gray Item #	Stainless Steel Item #	Length	Load Capacity
125 lb Static/110 lb Dynamic			
B770C27S-11GR	B770C27S-11SS	11"	125 lb Static/110 lb Dynamic
B770C35S-14GR	B770C35S-14SS	14"	125 lb Static/110 lb Dynamic
B770C40S-16GR	B770C40S-16SS	16"	125 lb Static/110 lb Dynamic
B770C45S-18GR	B770C45S-18SS	18"	125 lb Static/110 lb Dynamic
B770C50S-20GR	B770C50S-20SS	20"	125 lb Static/110 lb Dynamic
B770C55S-22GR	B770C55S-22SS	22"	125 lb Static/110 lb Dynamic
170 lb Static/155 lb Dynamic			
B773C45S-18GR	B773C45S-18SS	18"	170 lb Static/155 lb Dynamic
B773C50S-20GR	B773C50S-20SS	20"	170 lb Static/155 lb Dynamic
B773C55S-22GR	B773C55S-22SS	22"	170 lb Static/155 lb Dynamic
B773C60S-24GR	B773C60S-24SS	24"	170 lb Static/155 lb Dynamic
B773C65S-26GR	B773C65S-26SS	26"	170 lb Static/155 lb Dynamic

Required Components for Interior Roll Out

Front Piece

- Length 41-1/16" (1043mm), cut to size

Orion Gray Item #	Stainless Steel Item #
BZV7.1043C01-GR	BZV7.1043C01-ELN

Interior Front Fixing Bracket Set, Set Includes:

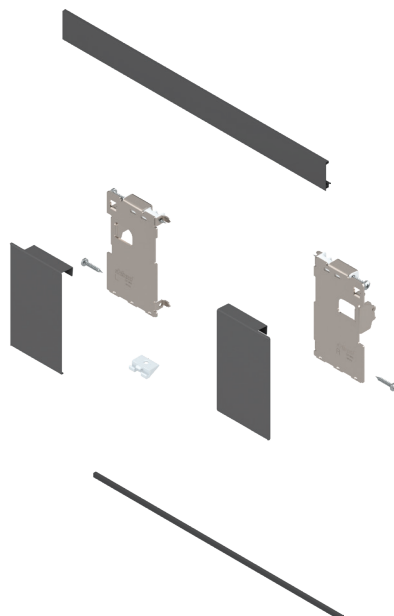
- Left and right front fixing brackets
- Left and right outer cover caps
- Locking piece
- Screws

Orion Gray Item #	Stainless Steel Item #
BZI7.0MS0-GR	BZI7.0MI0-IGL

Cross Gallery Rail

- Length 42-1/2" (1080mm), cut to size

Orion Gray Item #	Stainless Steel Item #
BZR7.1080U-GR	BZR7.1080U-ELN



BLUM LEGRABOX PREMIUM METAL DRAWER SYSTEMS



LEGRABOX 9-1/2" (241mm)

F Height Drawer Kits



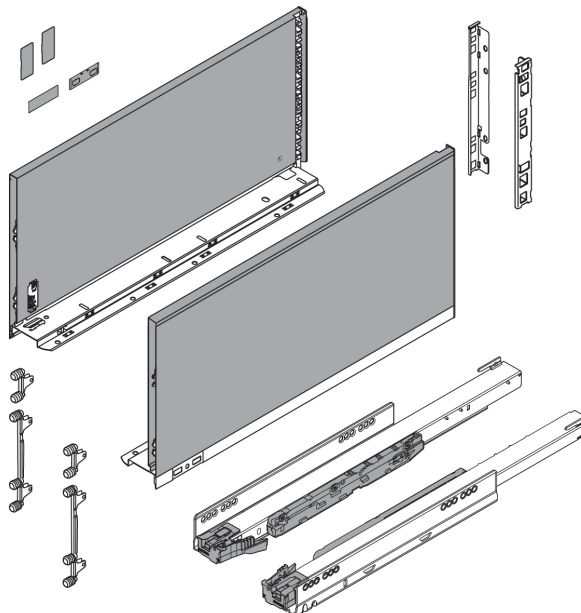
- Full extension drawer system with BLUMOTION
- Smooth running action
- Two-dimensional drawer front adjustment
- Compatible with TIP-ON BLUMOTION and SERVO-DRIVE
- Available finishes: orion gray and stainless steel

Drawer kit includes:

- (1) pair of drawer profiles (color coordinated cover caps included in a drawer profile box inside the kit)
- (1) pair of cabinet profiles
- (1) pair of rear fixing brackets
- (1) set of front fixing brackets

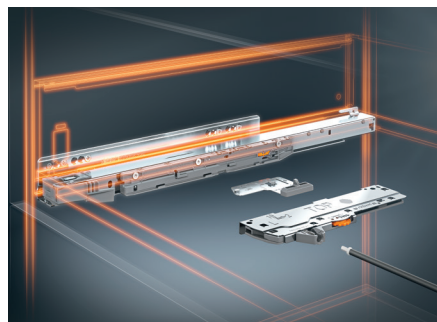
Orion Gray Item #	Stainless Steel Item #	Length	Load Capacity
125 lb Static/110 lb Dynamic			
B770F40S-16GR	B770F40S-16SS	16"	125 lb Static/110 lb Dynamic
B770F45S-18GR	B770F45S-18SS	18"	125 lb Static/110 lb Dynamic
B770F50S-20GR	B770F50S-20SS	20"	125 lb Static/110 lb Dynamic
B770F55S-22GR	B770F55S-22SS	22"	125 lb Static/110 lb Dynamic
170 lb Static/155 lb Dynamic			
B773F45S-18GR	B773F45S-18SS	18"	170 lb Static/155 lb Dynamic
B773F50S-20GR	B773F50S-20SS	20"	170 lb Static/155 lb Dynamic
B773F55S-22GR	B773F55S-22SS	22"	170 lb Static/155 lb Dynamic
B773F65S-26GR	B773F65S-26SS	26"	170 lb Static/155 lb Dynamic

Components:



A
B
C
D
E
F
G
H
I
J
K
L
M
N
O
P
Q
R
S
T
U
V
W
X
Y

BLUM LEGRABOX PREMIUM METAL DRAWER SYSTEMS



LEGRABOX TIP-ON BLUMOTION

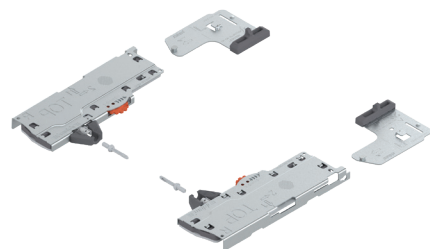


- Enables LEGRABOX drawer to be opening with just a light touch of the drawer front
- Fully mechanical motion
- Smooth running action

TIP-ON BLUMOTION Unit and Triggers

Sets Include:

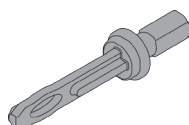
1. Left and right TIP-ON units and triggers
2. Two synchronization adapters



Synchronization Adapters

- To be used with the T60L1118W synchronization rod

Item #
BT60.000D



Drawer Length	S1 (0 - 44 lb)	L1 (0 - 44 lb)	L3 (44 - 88 lb)	L5 (88 - 155 lb)
11"	BT60L7140	-	-	-
14"	-	BT60L7340	BT60L7540	-
16"	-	BT60L7340	BT60L7540	-
18"	-	BT60L7340	BT60L7540	BT60L7570
20"	-	BT60L7340	BT60L7540	BT60L7570
22"	-	BT60L7340	BT60L7540	BT60L7570
24"	-	-	-	BT60L7570
26"	-	-	-	BT60L7570

Synchronization Rod

- Recommended for all cabinet widths for optimal function
- Opening width: 11-9/16" (294mm) minimum, 53-3/4" (1365mm) maximum
- Length 44-1/32" (1118mm), cut to size

Item #
BT60L1118W

TIP-ON BLUMOTION Synchronization for Narrow Applications

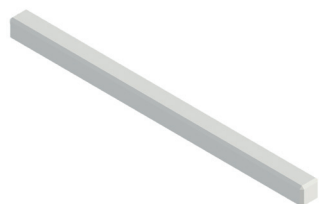
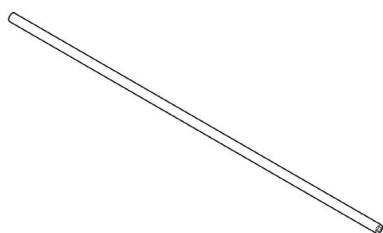
- Opening width: 10-9/32" (261mm) minimum, 11-7/32" (285mm) maximum
- Length 2-1/2" (64mm), cut to size

Item #
BT60.300D

TIP-ON BLUMOTION Front Gap Template

- For creating a 3/32" (2.5mm) front gap

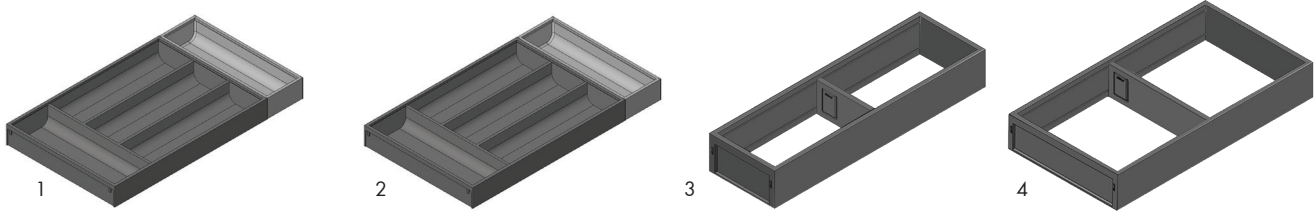
Item #
B65.5631.US



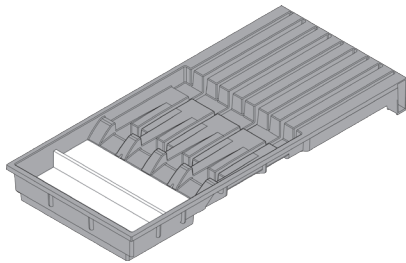
BLUM LEGRABOX AMBIA-LINE BOX DRAWER ORGANIZERS

AMBIA-LINE

- Provides a clean, harmonious look and function to the interior of drawers
- Orion gray finish
- To calculate inside drawer width available: LEGRABOX - Inside cabinet width - 1-5/8" (41mm)



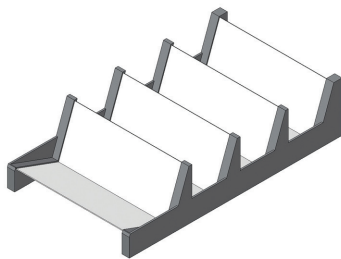
	Item #	Type	Length	Width	Height
1	BZC7S500BS3-GR	Flatware Insert	20" (500mm)	12" (300mm)	2" (51mm)
2	BZC7S550BS3-GR	Flatware Insert	22" (550mm)	12" (300mm)	2" (51mm)
3	BZC7S500RS1-GR	Narrow Utensil Insert	20" (500mm)	4" (100mm)	2" (51mm)
	BZC7S550RS1-GR	Narrow Utensil Insert	22" (550mm)	4" (100mm)	2" (51mm)
4	BZC7S500RS2-GR	Wide Utensil Insert	20" (500mm)	8" (200mm)	2" (51mm)
	BPZC7S550RS2	Wide Utensil Insert	22" (550mm)	8" (200mm)	2" (51mm)



Knife Holder

- Length 16-1/8" (409mm)
- Width 7-3/8" (187mm)
- Height 1-11/16" (43mm)
- Holds 9 knives
- High quality nylon and stainless steel
- Use with wide utensil insert

Item #
BZC7M0200-GR



Spice Tray

- Length 14" (356mm)
- Width 7-7/8" (200mm)
- Height 3-5/16" (84mm)
- Non-slip bottom
- High quality nylon and stainless steel
- Use with deep drawer insert

Item #
BZC7G0P0I-HGL

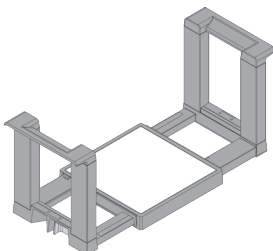


Plate Holder

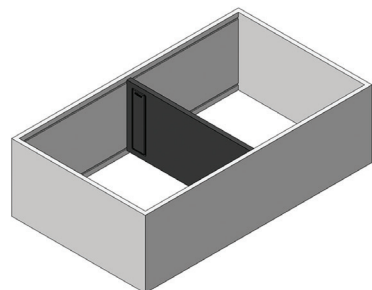
- Adjustable width 7-5/16" - 12-11/16" (186mm to 322mm)
- Overall height 6-11/16" (170mm)
- Holds up to 12 plates
- Non-slip bottom
- High quality nylon and stainless steel

Item #
BZC7T0350-GR

A
B
C
D
E
F
G
H
I
J
K
L
M
N
O
P
Q
R
S
T
U
V
W
X
Y

A BLUM LEGRABOX AMBIA-LINE BOX DRAWER ORGANIZERS

B
C
D
E
F
G
H
I
J
K
L
M
N
O
P
Q
R
S
T
U
V
W
X
Y

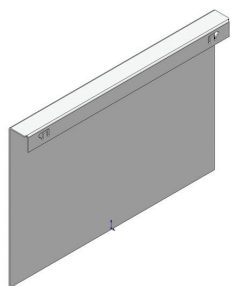


AMBIA-LINE Deep Drawer Insert



- Length 14-9/16" (370mm)
- Width 8-9/16" (218mm)
- Height 4-3/8" (111mm)
- Includes adjustable cross divider (qty 1)
- Steel frame
- For C and F Height drawers
- Magnetic back
- Non-slip rubber feet

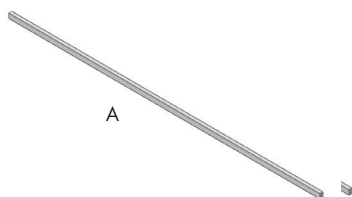
Item #
BZC7F400RSP-GR



Adapter Plate

- Length 8-9/16" (218mm)
- Height 5-13/16" (148mm)
- To be used with deep drawer insert BZC7F400RSP-GR

Item #
BZC7A0POC-GR

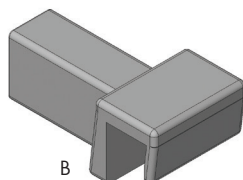


Deep Drawer Gallery Rail

A. Cross Gallery Rail

- Length 42-1/2" (1080mm)
- Cut cross rail to size
- Inside cabinet width minus 3-17/32" (90mm)

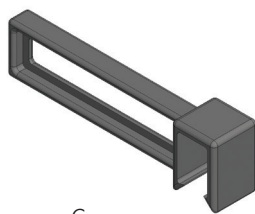
Item #	Finish
BZR7.1080U-GR	Grey
BZR7.1080U-ELN	Stainless Steel



B. Connector

- 2 required per cross rail set-up (order each separately)
- Dust gray finish

Item #
BZC7U10E0-GR



C. Lateral Divider

- Dust gray finish

Item #
BZC7U10F0-GR

BLUM LEGRABOX ACCESSORIES

A
B
C
D
E
F
G
H
I
J
K
L
M
N
O
P
Q
R
S
T
U
V
W
X
Y

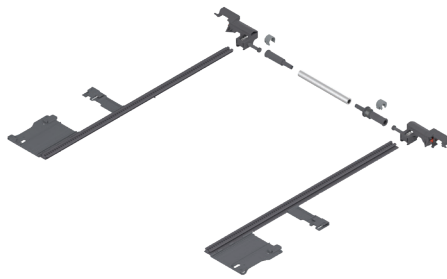


Side Spacer

- For spacing cabinet profiles for clearance on interior roll-out trays



Item #
BT59.3570



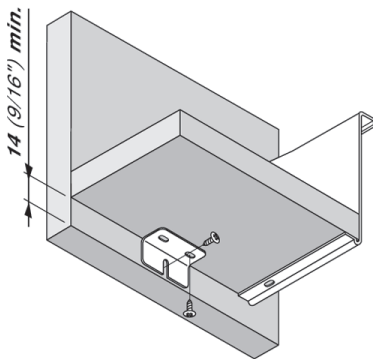
Lateral Stabilizer Set

- Recommended for cabinet widths from 35-7/16" - 55-1/8" (900mm to 1400mm)
- Minimum space requirement (depth) AL + 15mm (AL = Actual cabinet profile length)

Set Includes:

1. Linkage rod 42-5/32" (1071mm)
2. Pinion gears (qty 2)
3. Left and right rear brackets
4. Left and right gear racks

Item #	Description
BZS7.400LU-GR	11" - 16" (270mm - 400mm) Runner Lengths
BZS7.650LU-GR	18" - 26" (450mm - 650mm) Runner Lengths



Drawer Front Support Bracket

- Add-on bracket for wide drawers to keep the front tight to the drawer bottom
- Attach with 612TH screws #6 x 1/2" trusshead

Item #
BZSB.0090.01



Front Stabilization Bracket

- Used for stabilizing wide drawers and/or tall drawer fronts
- Reinforces the connection between the drawer bottom and the front
- One required per drawer, center on drawer bottom

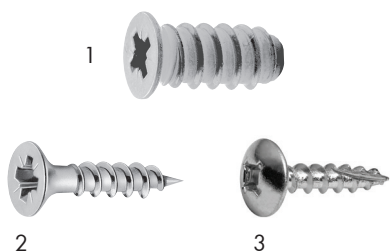
Item #
BZ96.10E1

A
B
C
D
E
F
G
H
I
J
K
L
M
N
O
P
Q
R
S
T
U
V
W
X
Y

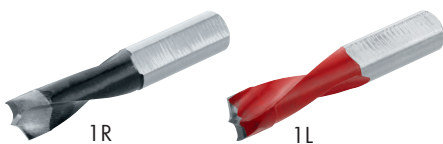
BLUM LEGRABOX ACCESSORIES



POZI Driver and Bit	
Item #	Description
BPD	#2 POZI Driver
B2X1POZIBIT	#2 x 1" POZI bit insert



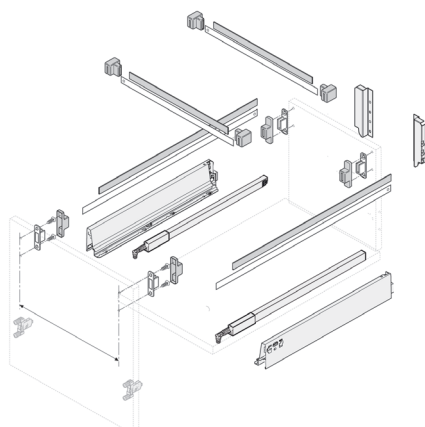
Wood & Euro Screws			
	Item #	Description	Box Qty
1	B661.1000.HG	6.1mm x 10mm, #2 POZI	1,000
	B661.1150.HG	6.1mm x 11.5mm, #2 POZI	1,000
	B661.1300.HG	6.1mm x 13mm, #2 POZI	1,000
	BSS-14.5MM	6.1mm x 14.5mm, #2 POZI	1,000
	B661.2000.HG	6.1mm x 20mm, #2 POZI	1,000
	B661.2500.HG	6.1mm x 25mm, #2 POZI	1,000
2	B606P-1000	#6 x 5/8", #2 POZI	1,000
3	B612TH	#6 x 1/2", #2 POZI Truss Head	1,000



Drill Bits		
Item #	Description	
1	BM01ZB10.02	10mm Right Hand Drill Bit for MINIPRESS/MINIDRILL
	BM01ZB10.03	10mm Left Hand Drill Bit for MINIPRESS/MINIDRILL

Metafile Set

- Set makes one standard hanging file
- Recommended for use in combination with B Height drawer
- **Set Includes:**
 - Steel hanging rails (qty 4) - 1/8" x 1/2" x 21-5/8" (3mm x 13mm x 550mm)
 - Rail support brackets (qty 4)
 - Rail support covers (qty 4)
 - Glide profiles (qty 4) - length 21-5/8" (550mm)
 - Lateral brackets (qty 4)
 - Flathead wood screws (qty 8) - #6 x 3/4" (19mm)



Item #	Description
BZRM.5500.USGR	Dust Gray Metafile Set
BZRM.5500.US	Zinc Metafile Set
BZRM.5500.USWH	White Metafile Set
BZRM.0003.10CM	Cream Rail Support Covers
BZRM.0003.10WH	White Rail Support Covers

BLUM LEGRABOX ASSEMBLY AIDS

A
B
C
D
E
F
G
H
I
J
K
L
M
N
O
P
Q
R
S
T
U
V
W
X
Y



Cabinet Profile Template Set

- Used for pre-boring holes for drawer runners
- Also used for marking/pre-boring other Blum drawer systems, AVENTOS locating pins and hinge mounting plates



Item #	Description
B65.1000.01	Cabinet Profile Template*
BDB-2.5MM	2.5mm RH Drill Bit
BDB-6MM	6mm RH Drill Bit



*** Set includes:**

1. Rail, 1 meter long
2. Replacement template (qty 4)
3. 2.5mm stop collar
4. 5mm stop collar
5. Allen wrench



Universal Individual Template

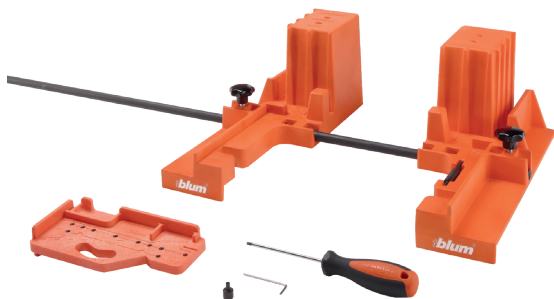
- For pre-boring drawer runners
- Also used for marking/pre-boring other Blum drawer systems, AVENTOS locating pins, hinge mounting plates, BLUMOTION adapters, and TIP-ON adapters
- Calibrated scales for accurate setting
- Set includes: Universal individual template, 2.5mm and 5mm stop collars, allen wrench



Item #
B65.1051.02

A BLUM LEGRABOX ASSEMBLY AIDS

B
C
D
E
F
G
H
I
J
K
L
M
N
O
P
Q
R
S
T
U
V
W
X
Y



LEGRABOX Starter Kit

- For all LEGRABOX heights and lengths
- For cabinet widths 9-13/16" to 47-1/4" (250mm to 1200mm)
- For cabinet back heights up to 9-13/16" (250mm)

Set Includes:

1. BOXFIX E-L
2. LEGRABOX boring template
3. TORX 20 screwdriver
4. VIX bit

Item #
BZMM.0700.20



BOXFIX E-L

- For manual assembly of LEGRABOX pull-outs

Item #
BZMM.0700



BOXFIX P

- For all LEGRABOX heights and lengths
- One adjustable stop for drawer width included (additional stops available)
- For cabinet widths 10-13/16" to 47-1/4" (275mm to 1200mm)
- For back heights up to 13-3/4" (350mm)

Item #
BZMM.2750.01

BLUM LEGRABOX ASSEMBLY AIDS



LEGRABOX Boring Template

- For exact pre-boring of drawer bottom and back
- Pre-bore dimension 2.5mm x 2mm
- 2.5mm stop collar
- 2.5mm allen wrench



Item #

BZML.7000

A

B

C

D

E

F

G

H

I

J

K

L

M

N

O

P

Q

R

S

T

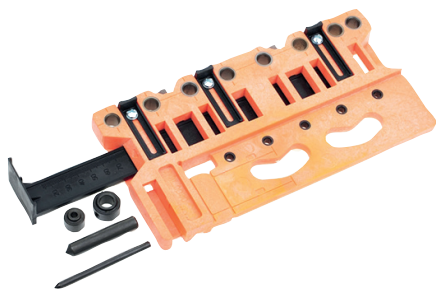
U

V

W

X

Y



Universal Boring Template

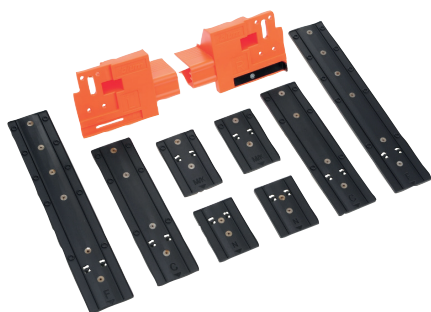
- Used for boring drawer fronts and located all fixing positions
- Used to pre-bore for drawer fronts, bottoms and backs for LEGRABOX, TANDEMBOX, METABOX drawer systems, and AVENTOS mounting plates

Set includes:

1. Template
2. 5mm marking pin
3. 10mm marking pin
4. 5mm stop collar
5. 10mm stop collar

Item #

BZML.0040



Front Marking Template

- For precise marking of the front fixing bracket locations
- Accommodates LEGRABOX N, M, K, C, and F Height

Item #

BZML.3710

A
B
C
D
E
F
G
H
I
J
K
L
M
N
O
P
Q
R
S
T
U
V
W
X
Y

BLUM TANDEMBOX METAL DRAWER SYSTEMS



TANDEMBOX 2-11/16" (69mm) N Height

- Full extension drawer system with BLUMOTION
- TANDEM smooth running mechanism
- Two-dimensional drawer front adjustment
- Dynamic load capacity of 75lb

Cabinet Profile Sets

- Packed 10 pair per box

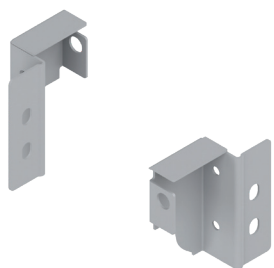
Item #	Length
B578.400B	16"
B578.450B	18"
B578.500B	20"
B578.550B	22"



Drawer Profile Sets

- Gray finish
- Includes cover caps
- Packed 10 pair per box

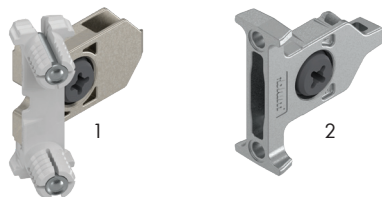
Item #	Length
B378N4002SA-GR	16"
B378N4502SA-GR	18"
B378N5002SA-GR	20"
B378N5502SA-GR	22"



Rear Fixing Bracket Set

- Includes left and right bracket
- Gray finish
- Packed 50 pair per box

Item #
BZ30N000S.04GR



Front Fixing Brackets

- Two required per drawer
- For use with N and M height drawer profiles only
- Packed 200 per box

	Item #	Description
1	BZSF.39A2	INSERTA Front Fixing Bracket
2	BZSF.35A2	Screw-On Front Fixing Bracket*

* Use of #6 x 3/4" minimum truss head screw is recommended.

BLUM TANDEMBOX METAL DRAWER SYSTEMS



TANDEMBOX 3-5/16" (84mm) M Height



- Full extension drawer system with BLUMOTION
- TANDEM smooth running mechanism
- Two-dimensional drawer front adjustment
- Dynamic load capacities of 75lb and 150lb



Cabinet Profile Sets

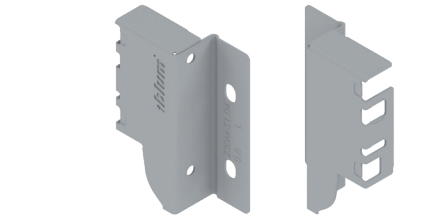
Length	75lb Item #	Box Qty	150lb Item #	Box Qty
11"	B578.270B	10	-	-
14"	B578.350B	10	-	-
16"	B578.400B	10	-	-
18"	B578.450B	10	B576.4501B	8
20"	B578.500B	10	B576.5001B	8
22"	B578.550B	10	B576.5501B	8
24"	-	-	B576.6001B	6
26"	-	-	B576.6501B	6



Drawer Profile Sets

- Gray finish
- Includes cover caps
- Packed 6 pair per box

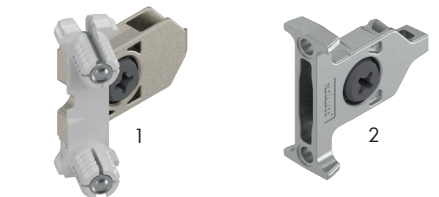
Item #	Length
B378M2702SA-GR	11"
B378M3502SA-GR	14"
B378M4002SA-GR	16"
B378M4502SA-GR	18"
B378M5002SA-GR	20"
B378M5502SA-GR	22"
B378M6002SA-GR	24"
B378M6502SA-GR	26"



Rear Fixing Bracket Set

- Includes left and right bracket
- Gray finish
- Packed 50 pair per box

Item #
BZ30M000S.04GR



Front Fixing Brackets

- Two required per drawer
- For use with N and M height drawer profiles only
- Packed 200 per box

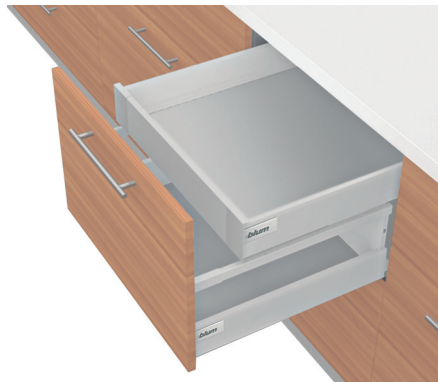
	Item #	Description
1	BZSF.39A2	INSERTA Front Fixing Bracket
2	BZSF.35A2	Screw-On Front Fixing Bracket*

* Use of #6 x 3/4" minimum truss head screw is recommended

A
B
C
D
E
F
G
H
I
J
K
L
M
N
O
P
Q
R
S
T
U
V
W
X
Y

A
B
C
D
E
F
G
H
I
J
K
L
M
N
O
P
Q
R
S
T
U
V
W
X
Y

BLUM TANDEMBOX METAL DRAWER SYSTEMS



TANDEMBOX 3-5/16" (84mm) M Height with Single Gallery Interior Roll-out



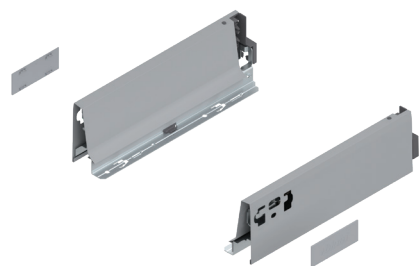
- Full extension drawer system with BLUMOTION
- TANDEM smooth running mechanism
- Two-dimensional drawer front adjustment
- Dynamic load capacities of 75lb and 150lb



Cabinet Profile Sets				
Length	75lb Item #	Box Qty	150lb Item #	Box Qty
11"	B578.270B	10	-	-
14"	B578.350B	10	-	-
16"	B578.400B	10	-	-
18"	B578.450B	10	B576.4501B	8
20"	B578.500B	10	B576.5001B	8
22"	B578.550B	10	B576.5501B	8
24"	-	-	B576.6001B	6
26"	-	-	B576.6501B	6

Drawer Profile Sets

- Gray finish
- Includes cover caps
- Packed 6 pair per box



Item #	Length
B378M2702SA-GR	11"
B378M3502SA-GR	14"
B378M4002SA-GR	16"
B378M4502SA-GR	18"
B378M5002SA-GR	20"
B378M5502SA-GR	22"
B378M6002SA-GR	24"
B378M6502SA-GR	26"

Front Piece

- Length 40-13/16" (1036mm), cut to size
- Gray finish

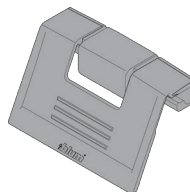
Item #
BZ31L1036AGR



Interior Front Handle

- Dust gray finish

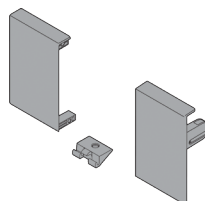
Item #
BZIF.80M5-GR



Front Fixing Bracket Set - Nylon

- Set includes: Left and right bracket, bottom support
- Gray finish

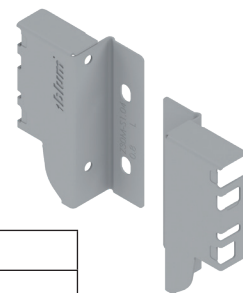
Item #
BZIF.71M0



Rear Fixing Bracket Set

- Includes left and right bracket
- Gray finish
- Packed 50 pair per box

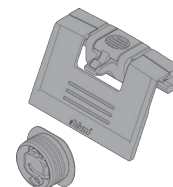
Item #
BZ30M000S.04GR



Interior Front Handle with Latch

- Dust gray finish

Item #
BZIF.80M7-GR



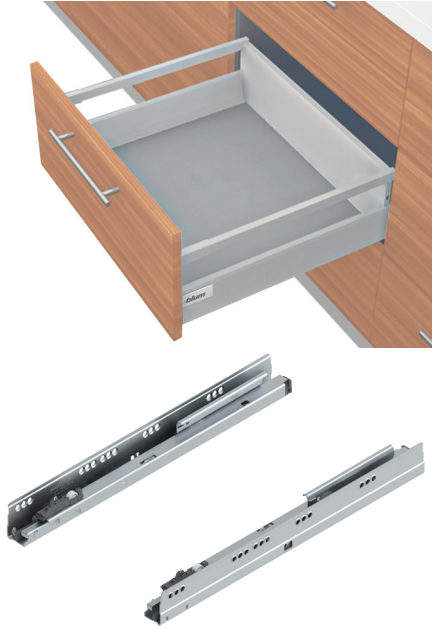
BLUM TANDEMBOX METAL DRAWER SYSTEMS

A
B
C
D
E
F
G
H
I
J
K
L
M
N
O
P
Q
R
S
T
U
V
W
X
Y



TANDEMBOX 5-3/4" (146mm) B Height with Single Gallery

- Full extension drawer system with BLUMOTION
- TANDEM smooth running mechanism
- Three-dimensional drawer front adjustment
- Dynamic load capacities of 75lb and 150lb



Cabinet Profile Sets				
Length	75lb Item #	Box Qty	150lb Item #	Box Qty
16"	B578.400B	10	-	-
18"	B578.450B	10	B576.4501B	8
20"	B578.500B	10	B576.5001B	8
22"	B578.550B	10	B576.5501B	8
24"	-	-	B576.6001B	6
26"	-	-	B576.6501B	6

Drawer Profile Sets

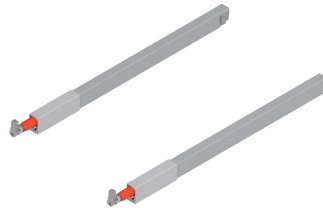
- Gray finish
- Includes cover caps
- Packed 6 pair per box



Item#	Length
B378M4002SA-GR	16"
B378M4502SA-GR	18"
B378M5002SA-GR	20"
B378M5502SA-GR	22"
B378M6002SA-GR	24"
B378M6502SA-GR	26"

Top Gallery Rail

- Left and right gallery rail

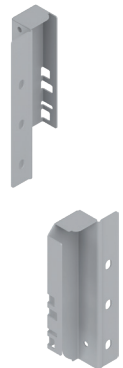


Item #	Length
BZRG.337RSIC-GR	16"
BZRG.387RSIC-GR	18"
BZRG.437RSIC-GR	20"
BZRG.487RSIC-GR	22"
BZRG.537RSIC-GR	24"
BZRG.587RSIC-GR	26"

Rear Fixing Brackets

- Left and right bracket
- Gray finish
- Packed 30 pair per box

Item #
BZ30B000S.04GR

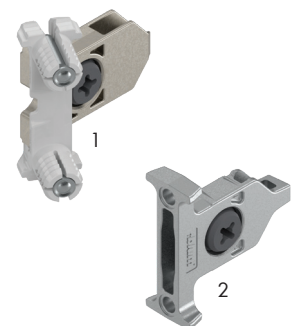


Front Fixing Brackets

- Two required per drawer
- For use with N and M height drawer profiles only
- Packed 200 per box

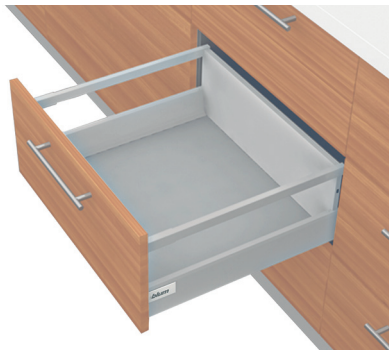
* Use of #6 x 3/4" minimum truss head screw is recommended

Item #	Description
1	BZSF.39A2 INSERTA Front Fixing Bracket
2	BZSF.35A2 Screw-On Front Fixing Bracket*



A
B
C
D
E
F
G
H
I
J
K
L
M
N
O
P
Q
R
S
T
U
V
W
X
Y

BLUM TANDEMBOX METAL DRAWER SYSTEMS



TANDEMBOX 8-1/8" (207mm) D Height with Single Gallery

- Full extension drawer system with BLUMOTION
- TANDEM smooth running mechanism
- Three-dimensional drawer front adjustment
- Dynamic load capacities of 75lb and 150lb



Cabinet Profile Sets				
Length	75lb Item #	Box Qty	150lb Item #	Box Qty
16"	B578.400B	10	-	-
18"	B578.450B	10	B576.4501B	8
20"	B578.500B	10	B576.5001B	8
22"	B578.550B	10	B576.5501B	8
24"	-	-	B576.6001B	6
26"	-	-	B576.6501B	6

Drawer Profile Sets

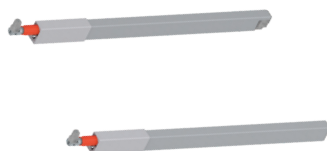
- Gray finish
- Includes cover caps
- Packed 6 pair per box



Item #	Length
B378M4002SA-GR	16"
B378M4502SA-GR	18"
B378M5002SA-GR	20"
B378M5502SA-GR	22"
B378M6002SA-GR	24"
B378M6502SA-GR	26"

Top Gallery Rail

- Left and right gallery rail



Item #	Length
BZRG.337RSIC-GR	16"
BZRG.387RSIC-GR	18"
BZRG.437RSIC-GR	20"
BZRG.487RSIC-GR	22"
BZRG.537RSIC-GR	24"
BZRG.587RSIC-GR	26"

Rear Fixing Brackets

- Left and right bracket
- Gray finish
- Packed 50 pair per box

Item #
BZ30D000SL-GR

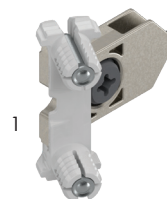


Front Fixing Brackets

- Two required per drawer
- For use with N and M height drawer profiles only
- Packed 200 per box

	Item #	Description
1	BZSF.39A2	INSERTA Front Fixing Bracket
2	BZSF.35A2	Screw-On Front Fixing Bracket*

* Use of #6 x 3/4" minimum truss head screw is recommended



BLUM TANDEMBOX METAL DRAWER SYSTEMS

A
B
C
D
E
F
G
H
I
J
K
L
M
N
O
P
Q
R
S
T
U
V
W
X
Y

TANDEMBOX 8-1/8" (207mm) D Height with Single Gallery Interior Roll-out



- Full extension drawer system with BLUMOTION
- TANDEM smooth running mechanism
- Three-dimensional drawer front adjustment
- Dynamic load capacities of 75lb and 150lb



Cabinet Profile Sets				
Length	75lb Item #	Box Qty	150lb Item #	Box Qty
16"	B578.400B	10	-	-
18"	B578.450B	10	B576.4501B	8
20"	B578.500B	10	B576.5001B	8
22"	B578.550B	10	B576.5501B	8
24"	-	-	B576.6001B	6
26"	-	-	B576.6501B	6

Drawer Profile Sets

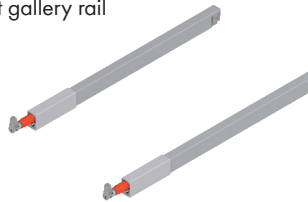
- Gray finish
- Includes cover caps
- Packed 6 pair per box



Item #	Length
B378M4002SA-GR	16"
B378M4502SA-GR	18"
B378M5002SA-GR	20"
B378M5502SA-GR	22"
B378M6002SA-GR	24"
B378M6502SA-GR	26"

Top Gallery Rail

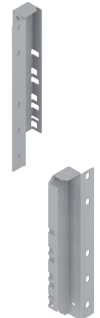
- Left and right gallery rail



Item #	Length
BZRG.337RSIC-GR	16"
BZRG.387RSIC-GR	18"
BZRG.437RSIC-GR	20"
BZRG.487RSIC-GR	22"
BZRG.537RSIC-GR	24"
BZRG.587RSIC-GR	26"

Rear Fixing Brackets

- Left and right bracket
- Gray finish
- Packed 50 pair per box

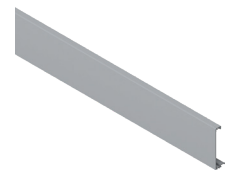


Item #
BZ30D000SL-GR

Front Piece

- Length 40-13/16" (1036mm), cut to size
- Gray finish

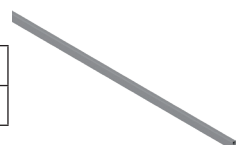
Item #
BZ31L1036AGR



Cross Rail

- Length 41-3/16" (1046mm), cut to size
- Gray finish

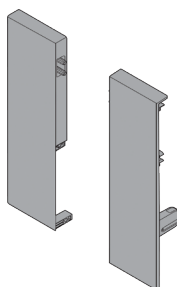
Item #
BZRG.1046Z-GR



Front Fixing Bracket Set - Nylon

- Set includes: left and right bracket, bottom support
- Gray finish

Item #
BZIF.75D0.US



BLUM TANDEMBOX METAL DRAWER SYSTEMS



TANDEMBOX 8-1/8" (207mm) D Height with Double Gallery

- Full extension drawer system with BLUMOTION
- TANDEM smooth running mechanism
- Three-dimensional drawer front adjustment
- Dynamic load capacities of 75lb and 150lb



Cabinet Profile Sets				
Length	75lb Item #	Box Qty	150lb Item #	Box Qty
16"	B578.400B	10	-	-
18"	B578.450B	10	B576.4501B	8
20"	B578.500B	10	B576.5001B	8
22"	B578.550B	10	B576.5501B	8

Drawer Profile Sets

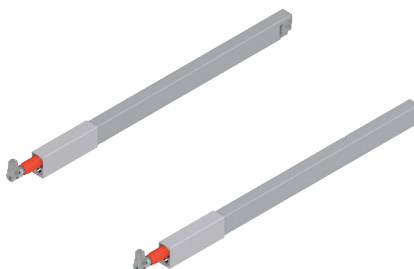
- Gray finish
- Includes cover caps
- Packed 6 pair per box



Item #	Length
B378M4002SA-GR	16"
B378M4502SA-GR	18"
B378M5002SA-GR	20"
B378M5502SA-GR	22"

Top Gallery Rail

- Left and right gallery rail



Item #	Length
BZRG.337RSIC-GR	16"
BZRG.387RSIC-GR	18"
BZRG.437RSIC-GR	20"
BZRG.487RSIC-GR	22"

Rear Fixing Brackets

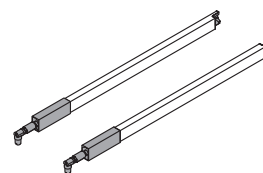
- Left and right bracket
- Gray finish
- Packed 50 pair per box



Item #
BZ30D000SL-GR

Center Gallery Rail

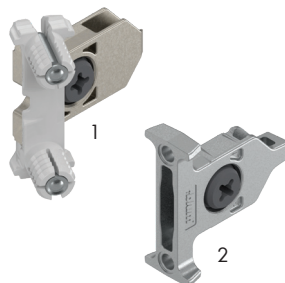
- Left and right gallery rail



Item #	Length
BZRG.337RSIE-GR	16"
BZRG.387RSIE-GR	18"
BZRG.437RSIE-GR	20"
BZRG.487RSIE-GR	22"

Front Fixing Brackets

- Two required per drawer
- For use with N and M height drawer profiles only
- Packed 200 per box



	Item #	Description
1	BZSF.39A2	INSERTA Front Fixing Bracket
2	BZSF.35A2	Screw-On Front Fixing Bracket*

* Use of #6 x 3/4" minimum truss head screw is recommended

BLUM TANDEMBOX METAL DRAWER SYSTEMS

TANDEMBOX 8-1/8" (207mm) D Height with Double Gallery Interior Roll-out



- Full extension drawer system with BLUMOTION
- TANDEM smooth running mechanism
- Three-dimensional drawer front adjustment
- Dynamic load capacities of 75lb and 150lb



Cabinet Profile Sets				
Length	75lb Item #	Box Qty	150lb Item #	Box Qty
16"	B578.400B	10	-	-
18"	B578.450B	10	B576.4501B	8
20"	B578.500B	10	B576.5001B	8
22"	B578.550B	10	B576.5501B	8

Drawer Profile Sets

- Gray finish
- Includes cover caps
- Packed 6 pair per box

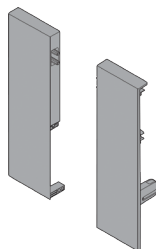


Item #	Length
B378M4002SA-GR	16"
B378M4502SA-GR	18"
B378M5002SA-GR	20"
B378M5502SA-GR	22"

Front Fixing Bracket Set - Nylon

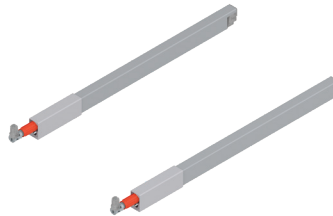
- Set includes: left and right bracket, bottom support
- Gray finish

Item #
BZIF.75D0.US



Top Gallery Rail

- Left and right gallery rail



Item #	Length
BZRG.337RSIC-GR	16"
BZRG.387RSIC-GR	18"
BZRG.437RSIC-GR	20"
BZRG.487RSIC-GR	22"

Front Piece

- Length 40-13/16" (1036mm), cut to size
- Gray finish

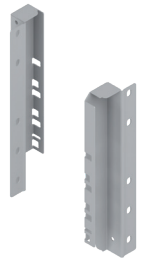
Item #
BZ31L1036AGR



Rear Fixing Brackets

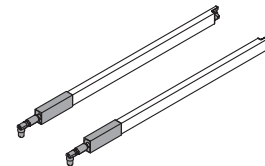
- Left and right bracket
- Gray finish
- Packed 50 pair per box

Item #
BZ30D000SL-GR



Center Gallery Rail

- Left and right gallery rail



Item #	Length
BZRG.337RSIE-GR	16"
BZRG.387RSIE-GR	18"
BZRG.437RSIE-GR	20"
BZRG.487RSIE-GR	22"

Cross Rail

- Length 41-3/16" (1046mm), cut to size
- Gray finish

Item #
BZRG.1046Z-GR



A
B
C
D
E
F
G
H
I
J
K
L
M
N
O
P
Q
R
S
T
U
V
W
X
Y

A
B
C
D
E
F
G
H
I
J
K
L
M
N
O
P
Q
R
S
T
U
V
W
X
Y

BLUM TANDEMBOX METAL DRAWER SYSTEMS



TANDEMBOX SPACE CORNER M Height



- Full extension drawer system with BLUMOTION
- TANDEM smooth running mechanism
- Two-dimensional drawer front adjustment
- Dynamic load capacities of 150lb



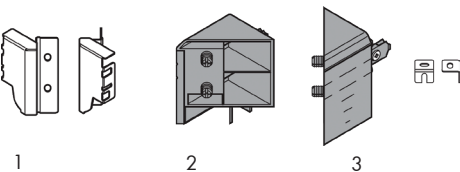
Cabinet Profile Sets	
150lb Item #	Box Qty
B576.6001B	6
B576.6501B	6



Drawer Profile Sets

- Gray finish
- Includes cover caps
- Packed 6 pair per box

Item #	Length
B378M6002SA-GR	24"
B378M6502SA-GR	26"



Space Corner Set - M Height

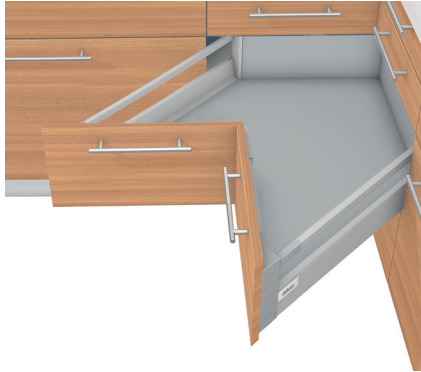
Set Includes:

1. Corner rear fixing bracket (qty 2)
2. Corner front piece (gray only) (qty 2)
3. Drawer front support bracket (qty 2)

Item #
BZSF.340E.M-GR

BLUM TANDEMBOX METAL DRAWER SYSTEMS

A
B
C
D
E
F
G
H
I
J
K
L
M
N
O
P
Q
R
S
T
U
V
W
X
Y



TANDEMBOX SPACE CORNER D-Height with Single Gallery



- Full extension drawer system with BLUMOTION
- TANDEM smooth running mechanism
- Three-dimensional drawer front adjustment
- Dynamic load capacities of 150lb

Cabinet Profile Sets	
150lb Item #	Box Qty
B576.6001B	6
B576.6501B	6



Metal Design Element

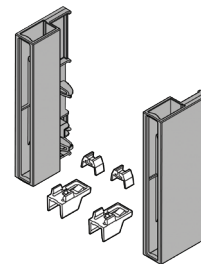
- Two required per drawer
- Gray finish



Item #
BZ37A617D-GR

Gallery Bracket Set
Set Includes:

1. Left and right rear brackets
2. Front fixing clips (qty 4)
3. Gray finish



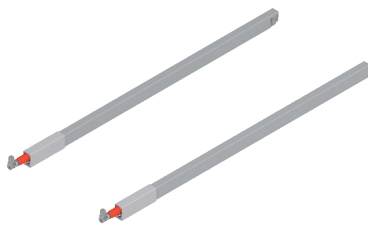
Item #
BZ36D0080



Drawer Profile Sets

- Gray finish
- Includes cover caps
- Packed 6 pair per box

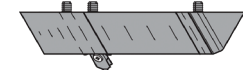
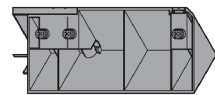
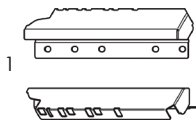
Item #	Length
B378M6002SA-GR	24"
B378M6502SA-GR	26"



Top Gallery Rail

- Left and right gallery rail

Item #	Length
BZRG.537RSIC-GR	24"
BZRG.587RSIC-GR	26"



Space Corner Set - D Height

Set includes:

1. Corner rear fixing bracket (qty 2)
2. Corner front piece (gray only) (qty 2)
3. Drawer front support bracket (qty 2)

Item #
BZSF.345ED-GR

A
B
C
D
E
F
G
H
I
J
K
L
M
N
O
P
Q
R
S
T
U
V
W
X
Y

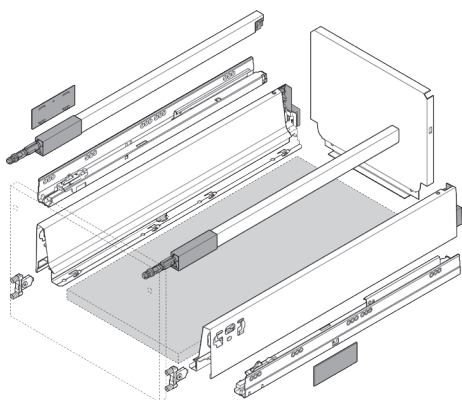
BLUM TANDEMBOX METAL DRAWER SYSTEMS



TANDEMBOX Waste/Recycle Set with SERVO-DRIVE



- Pre-assembled bottom mount solution
- TANDEMBOX heavy duty full extension drawer system
- For 12", 15" and 18" minimum opening widths
- For face frame and frameless applications
- Three-dimensional drawer front adjustment
- Maximum 1/4" (4mm) cabinet bottom recess
- TANDEM smooth running action
- 175 lb static, 150 lb dynamic load rating
- SERVO-DRIVE touch-to-open feature



TANDEMBOX Waste/Recycle Set		
Item #	Description	Drawer Length
B376M55B7SAB	For 12" minimum opening width	21-5/8" (550mm)
B376M55B7SAD	For 15" minimum opening width	21-5/8" (550mm)
B376M55B7SAF	For 18" minimum opening width	21-5/8" (550mm)

Set Includes:

1. TANDEMBOX heavy duty runner set with pre-mounted #6 x 3/4" wood screws for installation (qty 8)
2. Pre-assembled silk white TANDEMBOX drawer
3. Includes installation template, and instructions
4. #6 x 5/8" wood screws for attachment to drawer front (qty 10)
TANDEMBOX cover caps (qty 2)

SERVO-DRIVE Waste/Recycle Set

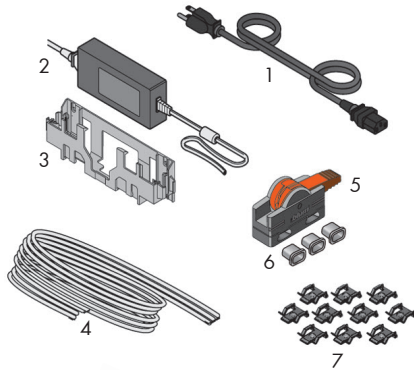
Set Includes:

1. Drive unit (pre-attached)
2. Double bottom bracket with #6 x 1" wood screws (qty 2)
3. Cable clips (qty 4)
4. Adapter plate
5. INSERTA cable connector
6. Screw-on distance bumpers (qty 4) with #6 x 5/8" wood screws for installation (qty 8)
7. 110 volt plug-in power supply with six feet of universal cable
8. Cable end protectors (qty 2)
9. Includes installation template, instructions, and user manual



Item #
BZ10NA30UGUS

BLUM SERVO-DRIVE FOR TANDEMBOX



Power Supply Set

- Supplies power to the drive units

Set Includes:

1. 19 ft universal cable
2. 24 watt power supply
3. Wall mount bracket
4. Three-prong cord
5. INSERTA cable connector
6. Cable end protectors (qty 3)
7. Cable clips (qty 10)
8. Includes installation template, instructions, and user manual



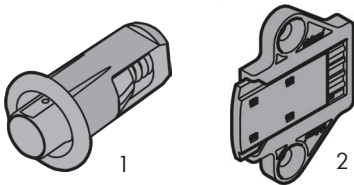
Item #
BZ10NE03UG10



Drive Unit

- Nylon
- Dust gray finish

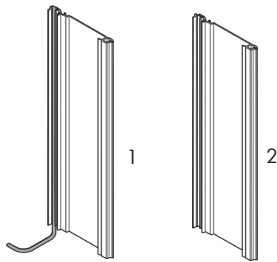
Item #
BZ10A3000.03



Distance Bumpers

- Provides 1/8" (3mm) gap

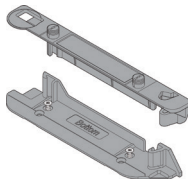
	Item #	Description
1	B993.0531	5mm Bumper
2	B993.1220	Screw-on Bumper



Vertical Aluminum Profile

- Can be cut to size

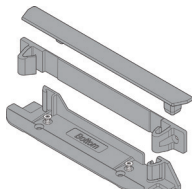
	Item #	Description
1	BZ10T720AB	Profile with cable, length 28-3/8" (720mm) - cable length 31-1/2" (800mm)
2	BZ10T1170A	Profile without cable, length 46" (1170mm)



Top and Bottom Adapter Set

- For use with horizontal stretcher rail

Item #
BZ10D01E0



Back and Bottom Adapter Set

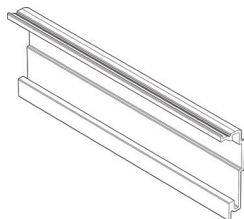
- For use with back stretcher rail

Item #
BZ10D01EA

A
B
C
D
E
F
G
H
I
J
K
L
M
N
O
P
Q
R
S
T
U
V
W
X
Y

A
B
C
D
E
F
G
H
I
J
K
L
M
N
O
P
Q
R
S
T
U
V
W
X
Y

BLUM SERVO-DRIVE FOR TANDEMBOX

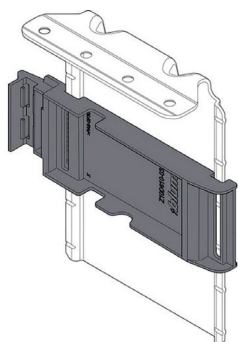


Horizontal Aluminum Profile

- Profile length 45" (1143mm) cut to size



Item #
BZ10T1 143B



Top Bracket with Adapter

Item #
BZ10D6252



Bottom Bracket

- 31-1/2" (800mm) universal cable is included

Item #
BZ10D7201

BLUM SERVO-DRIVE FOR TANDEMBOX

A
B
C
D
E
F
G
H
I
J
K
L
M
N
O
P
Q
R
S
T
U
V
W
X
Y

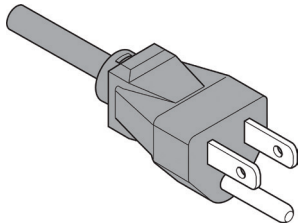


SERVO-DRIVE Power Supply



- Supplies power to the drive units
- Energy Star Level VI
- UL Certified
- Can power up to 50 drive units
- Connect to switched GFCI outlet
- 6' cable length
- Three-prong power cord required

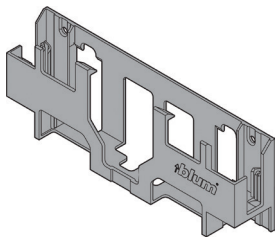
Item #
BZ10NE030G



Power Cord with Three-Prong Plug

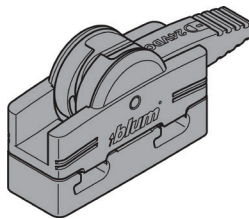
- Must be plugged into a switched GFCI outlet

Item #
BZ10M200U



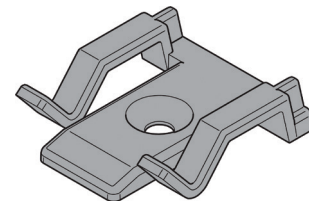
Wall Mount Bracket for Power Supply

Item #
BZ10NG100



Inserta Cable Connector

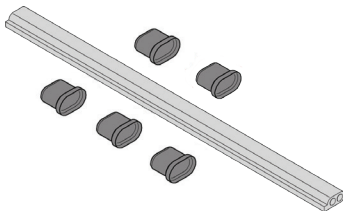
Item #
BZ10V1000



Cable Clip

- Adhesive back and/or screw-on

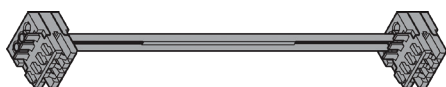
Item #
BZ10K0009



Universal Cable

- 26 ft length with five cable end protectors

Item #
BZ10K800AE

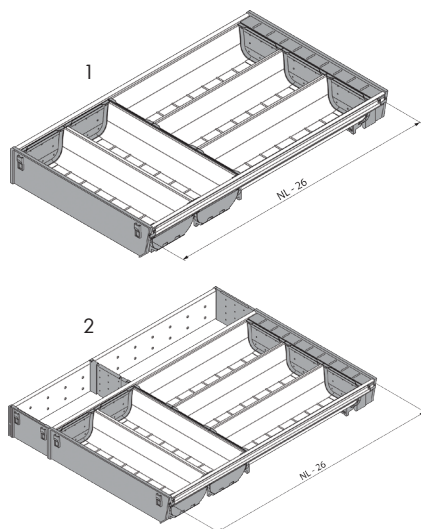


Synchronization Cables

Item #	Description
BZ10K008S	3" (80mm) synchronization cable
BZ10K120S	4' (1200mm) synchronization cable

A
B
C
D
E
F
G
H
I
J
K
L
M
N
O
P
Q
R
S
T
U
V
W
X
Y

BLUM TANDEMBOX ORGA-LINE

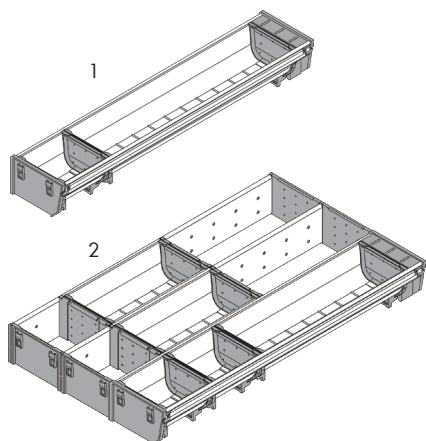


TANDEMBOX ORGA-LINE

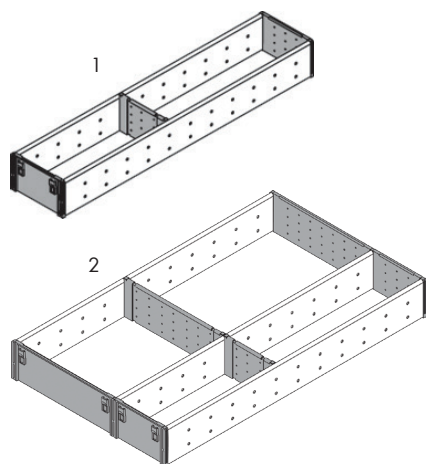
- Adjustable organization solution for TANDEMBOX that can be customized to fit individual needs
- Removable trays are made of high quality nylon and stainless steel
- Dishwasher safe up to 170°F



Flatware				
	Item #	Length	Width	Height
1	BZSI.500BI3	20"	11" (280mm)	2-1/2" (64mm)
	BZSI.550BI3	22"	11" (280mm)	2-1/2" (64mm)
2	BZSI.500KI4	20"	14-13/16" (377mm)	2-1/2" (64mm)
	BZSI.550KI4	22"	14-13/16" (377mm)	2-1/2" (64mm)



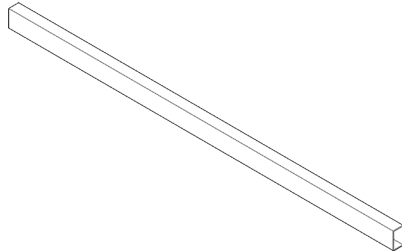
Cutlery Sets				
	Item #	Length	Width	Height
1	BZSI.500BI1	20"	4-1/16" (103mm)	2-1/2" (64mm)
	BZSI.550BI1	22"	4-1/16" (103mm)	2-1/2" (64mm)
2	BZSI.500MI3	20"	11-11/16" (297mm)	2-1/2" (64mm)
	BZSI.550MI3	22"	11-11/16" (297mm)	2-1/2" (64mm)



Utensils				
	Item #	Length	Width	Height
1	BZSI.500FI1	20"	4-1/8" (105mm)	2-1/2" (64mm)
	BZSI.550FI1	22"	4-1/8" (105mm)	2-1/2" (64mm)
2	BZSI.500FI3	20"	11-7/16" (291mm)	2-1/2" (64mm)
	BZSI.550FI3	22"	11-7/16" (291mm)	2-1/2" (64mm)

BLUM TANDEMBOX ORGA-LINE ACCESSORIES

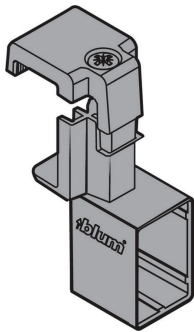
B or D Height TANDEMBOX with Gallery Rails



Cross Gallery Rail Divider

- Length 44-1/32" (1118mm)
- Opening width minus 2-1/2" (63mm)
- Gray finish

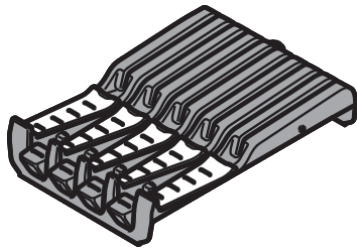
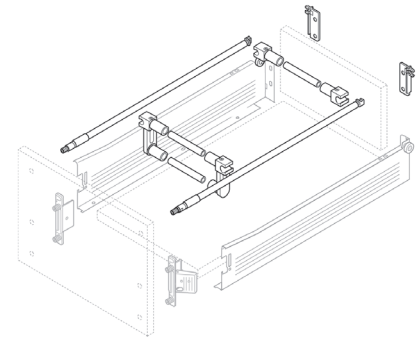
Item #
BZRG.1118Q-GR



Cross Gallery Rail Connector

- Two required
- Gray finish

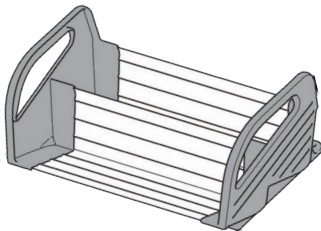
Item #
BZRU.01E0-GR



ORGA-LINE Knife Holder

- Length 11" (280mm)
- Width 7-1/8" (180mm)
- Holds up to nine knives of different sizes
- High quality nylon and stainless steel
- Dishwasher safe up to 170°F
- Handle support (qty 4)

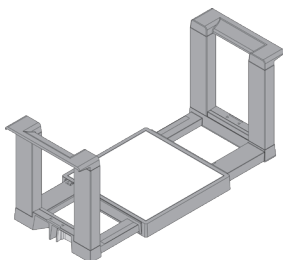
Item #
BZSZ.02MO



ORGA-LINE Spice Tray

- Width 11-1/8" (282mm) - Inside storage width 10-1/4" (260mm)
- Height 4-3/4" (121mm)
- Easy removal from drawer
- High quality nylon and stainless steel
- Set includes two trays and four feet

Item #
BZfZ.38G0-I-GL



ORGA-LINE Plate Holder

- Adjustable width 7-5/16" to 12-11/16" (186mm to 322mm)
- Overall height 6-11/16" (170mm)
- Holds up to 12 plates
- Non-slip bottom
- High quality nylon and stainless steel

Item #
BZC7T0350-GR

A
B
C
D
E
F
G
H
I
J
K
L
M
N
O
P
Q
R
S
T
U
V
W
X
Y

A
B
C
D
E
F
G
H
I
J
K
L
M
N
O
P
Q
R
S
T
U
V
W
X
Y

BLUM TANDEMBOX ACCESSORIES



Front Stabilization Bracket

- Used for stabilizing wide drawers and/or tall drawer fronts
- Reinforces the connection between the drawer bottom and the front
- One required per drawer, center on drawer bottom
- Packaged in full boxes of 250

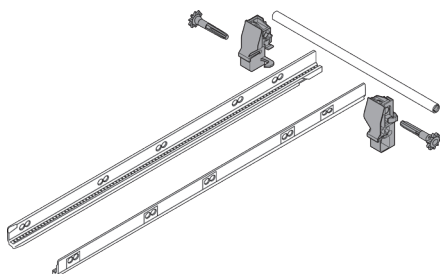
Item #
BZ96.10E1



Side Spacer

- For spacing TANDEM runners from the cabinet side for clearance in interior roll-out applications
- 1" thick
- Packaged in full boxes of 100

Item #
BT59.3570



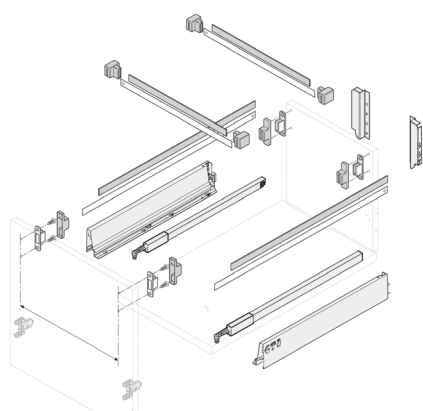
Lateral Stabilizer Set

- Recommended for cabinets 35" to 47" (900mm to 1200mm) wide

Set Includes:

1. Linkage rod, 42-3/8" (1076mm) cut to size
2. Pinion gears (qty 2)
3. Rear brackets, left and right
4. Gear racks, left and right

Item #	Length
BZST.500B	20"



Metafile Set

- Set makes one standard hanging file
- Recommended for use in combination with B Height drawer

Set Includes:

1. Steel hanging rails (qty 4) - 1/8" x 1/2" x 21-5/8" (3mm x 13mm x 550mm)
2. Rail support brackets (qty 4)
3. Rail support covers (qty 4)
4. Glide profiles (qty 4) - length 21-5/8" (550mm)

Item #	Description
BZRM.5500.USGR	Dust Gray Metafile Set
BZRM.5500.US	Zinc Metafile Set
BZRM.5500.USWH	White Metafile Set
BZRM.0003.10CM	Cream Rail Support Covers
BZRM.0003.10WH	White Rail Support Covers

BLUM TANDEMBOX ACCESSORIES

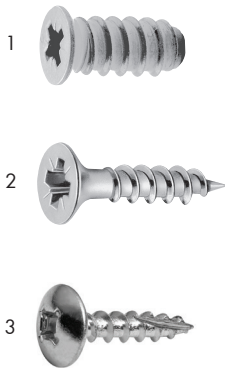


POZI Driver and Bit

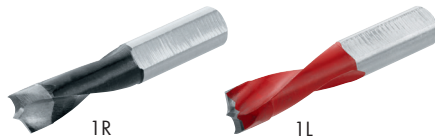


Item #	Description
BPD	#2 POZI Driver
B2X1POZIBIT	#2 x 1" POZI bit insert

Wood & Euro Screws



	Item #	Description	Box Qty
1	B661.1000.HG	6.1mm x 10mm, #2 POZI	1,000
	B661.1150.HG	6.1mm x 11.5mm, #2 POZI	1,000
	B661.1300.HG	6.1mm x 13mm, #2 POZI	1,000
	BSS-14.5MM	6.1mm x 14.5mm, #2 POZI	1,000
	B661.2000.HG	6.1mm x 20mm, #2 POZI	1,000
	B661.2500.HG	6.1mm x 25mm, #2 POZI	1,000
2	B606P-1000	#6 x 5/8", #2 POZI	1,000
3	B612TH	#6 x 1/2", #2 POZI Truss Head	1,000



Drill Bits

	Item #	Description
1R	BM01ZB10.02	10mm Right Hand Drill Bit for MINIPRESS/MINIDRILL
1L	BM01ZB10.03	10mm Left Hand Drill Bit for MINIPRESS/MINIDRILL

Visit us on our website: wurthlac.com

The screenshot shows the Wurth website interface. At the top, there are navigation links for 'Wurth Louis and Company', 'Large Machinery Quote', and 'Feedback'. On the right, there are links for 'Register or Apply', 'Sign In', and 'En'. A search bar is present with the placeholder text 'Enter search criteria here'. Below the search bar, there is a 'Shop By Category' menu and a 'Home' link. The main content area features a large banner for 'SEE STOCK UP SAFELY' with an image of safety glasses. To the right, there is a 'NOW HIRING!' banner with the text 'Apply at: wurthlac.com/careers'. Below the safety glasses banner, there is another banner for 'SUPPLY CHAIN CHALLENGES? We have you COVERED.' with a 'LEARN MORE' button.

A
B
C
D
E
F
G
H
I
J
K
L
M
N
O
P
Q
R
S
T
U
V
W
X
Y

A BLUM TANDEMBOX ASSEMBLY AIDS



Cabinet Profile Template

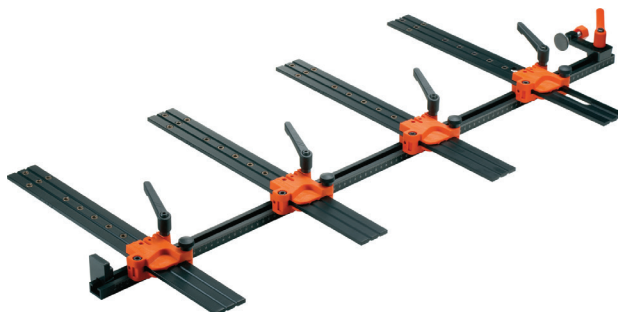


- Used for pre-boring holes for LEGRABOX, TANDEMBOX, and TANDEM drawer runners
- Can also be used to pre-bore AVENTOS locating pins and pre-boring for hinge mounting plates

Set Includes:

1. Rail, 1 meter long (qty 1)
2. 2.5mm stop collar (qty 1)
3. 5mm stop collar (qty 1)
4. Replacement template (qty 4)
5. Allen wrench (qty 1)

Item #	Description
B65.1000.01	Cabinet Profile Template
BDB-2.5MM	2.5mm RH Drill Bit



Universal Individual Template

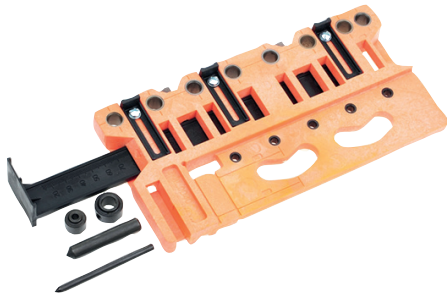


- Used for pre-boring holes for LEGRABOX, TANDEMBOX, and TANDEM drawer runners
- Can also be used to pre-bore for AVENTOS locating pins and pre-boring for hinge mounting plates
- Calibrated scales for accurate setting
- Set includes: Universal individual template, 2.5mm and 5mm stop collars, allen wrench

Item #
B65.1051.02

BLUM TANDEMBOX ASSEMBLY AIDS

A
B
C
D
E
F
G
H
I
J
K
L
M
N
O
P
Q
R
S
T
U
V
W
X
Y



Universal Boring Template

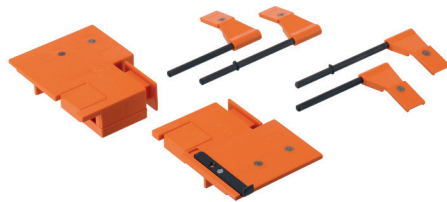


- Used for boring drawer fronts and located all fixing positions
- Used to pre-bore for drawer fronts, bottoms and backs for LEGRABOX, TANDEMBOX, METABOX drawer systems, and AVENTOS mounting plates

Set Includes:

1. Template
2. 5mm marking pin
3. 10mm marking pin
4. 5mm stop collar
5. 10mm stop collar

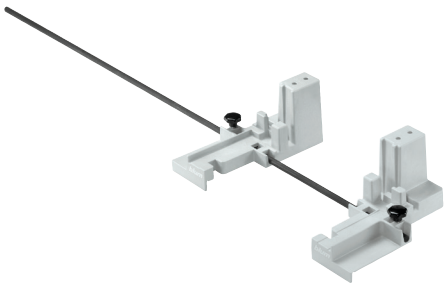
Item #
BZML.0040



TANDEMBOX Front Marking Templates

- Used for marking front fixing locations
- TANDEMBOX 37XM/L drawer profiles
- Includes marking template (left and right), marking flag for 37XL drawer profile (left and right)

Item #
BZML.3580



BOXFIX E-T

- For all TANDEMBOX heights and lengths
- For cabinet widths 9-13/16" to 47-1/4" (250mm to 1200mm)
- For cabinet back heights up to 9-13/16" (250mm)

Item #
BZMM.0350



BOXFIX P

Using the BOXFIX P you can assemble TANDEMBOX and LEGRABOX faster than ever. Its easy setup, pneumatic clamps, and comfortable work height all contribute to faster, more efficient assembly.

- For all LEGRABOX and TANDEMBOX heights and lengths
- One adjustable stop for drawer width included (additional stops available)
- For cabinet widths 10-13/16" to 47-1/4" (275mm to 1200mm)
- For back heights up to 13-3/4" (350mm)

Item #
BZMM.2750.01

A
B
C
D
E
F
G
H
I
J
K
L
M
N
O
P
Q
R
S
T
U
V
W
X
Y

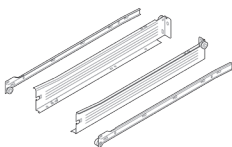
BLUM METABOX METAL DRAWER SYSTEMS



METABOX 320 Series - 3/4 Extension



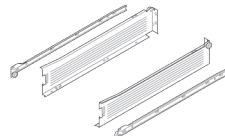
- Complements the style of panel cabinetry and allows effective use of cabinet interior space
- Fully compatible with the 32mm cabinet construction system, installation is quick and precise
- Three-dimensional front adjustment with easy cam height adjustment
- Simple insertion and removal of drawers
- With BLUMATIC self-closing feature
- Single extension is available with BLUMOTION soft-closing option
- Static load capacity of 100lb and dynamic capacity of 75lb



320N 2-1/8" (54mm) Drawer Height

- 3/4 Extension
- Packed 10 pair per box

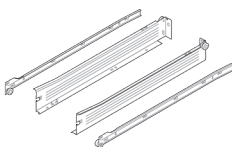
Item #	Length
B320N11WH	11"
B320N14WHC15	14"
B320N16WHC15	16"
B320N18WHC15	18"
B320N20WHC15	20"
B320N22WHC15	22"



320M 3-3/8" Drawer Height

- 3/4 Extension
- Packed 10 pair per box

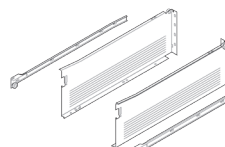
Item #	Length
B320M11WHC15	11"
B320M14WHC15	14"
B320M16WHC15	16"
B320M18WHC15	18"
B320M20WHC15	20"
B320M22WHC15	22"



320K 4-5/8" (118mm) Drawer Height

- 3/4 Extension
- Packed 10 pair per box

Item #	Length
B320K14WHC15	14"
B320K16WHC15	16"
B320K18WHC15	18"
B320K20WHC15	20"
B320K22WHC15	22"



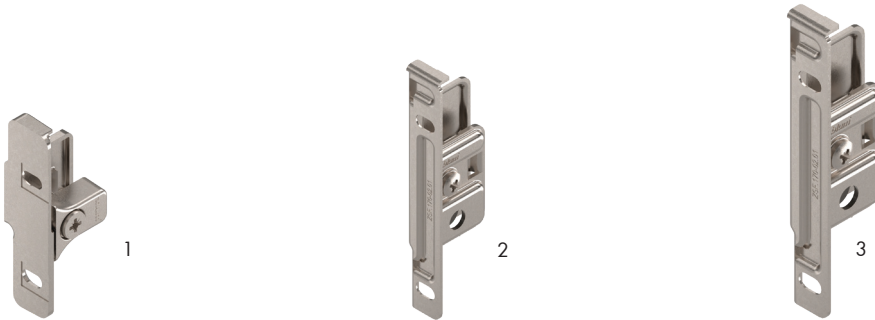
320H 5-7/8" (150mm) Drawer Height

- 3/4 Extension
- Packed 10 pair per box

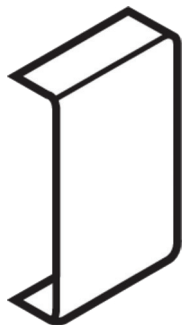
Item #	Length
B320H14WHC15	14"
B320H16WHC15	16"
B320H18WHC15	18"
B320H20WHC15	20"
B320H22WHC15	22"

BLUM METABOX METAL DRAWER SYSTEMS

METABOX 320 Series - 3/4 Extension - continued



Front Fixing Brackets				
	Item #	Type		Description
1	BZSF.1510.04	Standard	Screw-on	Right Hand - For 320N Metabox Series
	BZSF.1510.05	Standard	Screw-on	Left Hand - For 320N Metabox Series
	BZSF.1610.04	Standard	Dowel	Right Hand - For 320N Metabox Series
	BZSF.1610.05	Standard	Dowel	Left Hand - For 320N Metabox Series
2	BZSF.1700R	Standard	Screw-on	Right Hand - For 320 M, K & H Series
	BZSF.1700L	Standard	Screw-on	Left Hand - For 320 M, K & H Series
	BZSF.1800R	Standard	Dowel	Right Hand - For 320 M, K & H Series
	BZSF.1800L	Standard	Dowel	Left Hand - For 320 M, K & H Series
3	BZSF1200R	Clip	Screw-on	Right Hand - For 320 M, K & H Series
	BZSF1200L	Clip	Screw-on	Left Hand - For 320 M, K & H Series
	BZSF1300R	Clip	Dowel	Right Hand - For 320 M, K & H Series
	BZSF1300L	Clip	Dowel	Left Hand - For 320 M, K & H Series
	BZSF.130ER	Clip	Expando	Right Hand - For 320 M, K & H Series
	BZSF.130EL	Clip	Expando	Left Hand - For 320 M, K & H Series



Standard Cover Caps

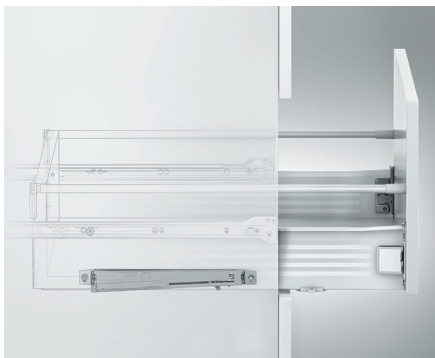
- Nylon white
 - Packed in full boxes of 1,000
- Available any quantity.

Item #
BZAA.3500WH

A
B
C
D
E
F
G
H
I
J
K
L
M
N
O
P
Q
R
S
T
U
V
W
X
Y

A BLUM METABOX METAL DRAWER SYSTEM ACCESSORIES

B
C
D
E
F
G
H
I
J
K
L
M
N
O
P
Q
R
S
T
U
V
W
X
Y



BLUMOTION for METABOX

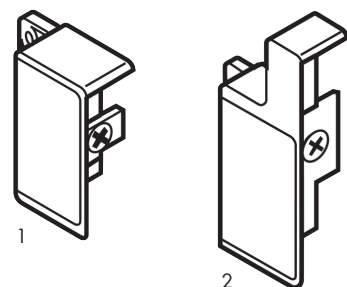
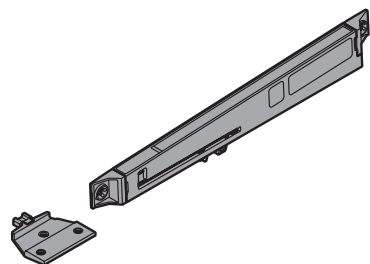


- Soft-close mechanism for METABOX 320 series
- Designed for single extension C15 only
- Minimal opening force required
- One BLUMOTION required for cabinets up to 35" wide
- BLUMATIC self-closing and BLUMOTION in one mechanism

Set Includes:

1. Gray mechanism
2. White latch

Item #	Sold In
BZ70.0320B	100
BZ70.0320	1

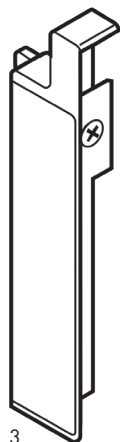


Screw-on Interior Front Fixing Brackets



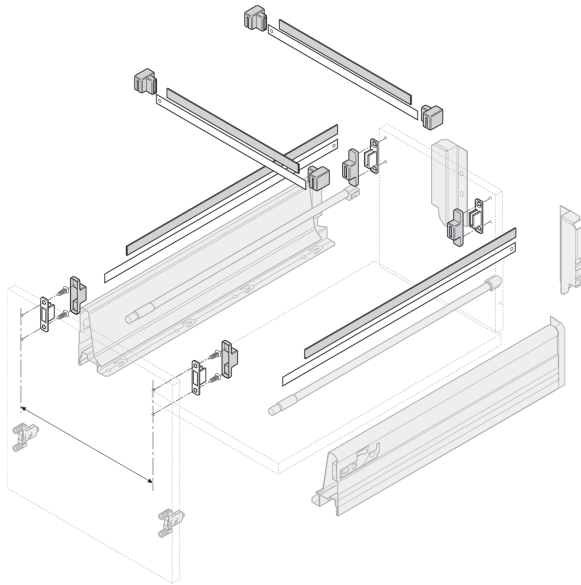
- For interior drawer applications
- White nylon

	Item #	Description
1	BZIF3010.02W	Right Hand Bracket for 320N Series
	BZIF3010.03W	Left Hand Bracket for 320N Series
2	BZIF3000.02W	Right Hand Bracket for 320M Series
	BZIF3000.03W	Left Hand Bracket for 320M Series
3	BZIF305002WH	Right Hand Bracket for 320H Series
	BZIF305003WH	Left Hand Bracket for 320H Series



BLUM METABOX METAL DRAWER SYSTEM ACCESSORIES

A
B
C
D
E
F
G
H
I
J
K
L
M
N
O
P
Q
R
S
T
U
V
W
X
Y



METAFILE Set

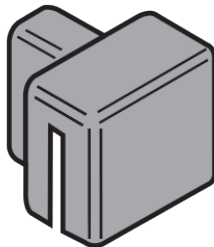
- Includes components to make one standard hanging file system

Set Includes:

1. 3mm x 13mm x 550mm steel hanging rails (qty 2)
2. Rail support brackets (qty 4)
3. Rail support covers (qty 4)
4. 550mm length glide profiles (qty 2)
5. #6 x 3/4" flathead wood screws, nickel (qty 8)

Item #	Finish
BZRM.5500.US	Zinc
BZRM.5500.USWH	White

Lateral File Accessories

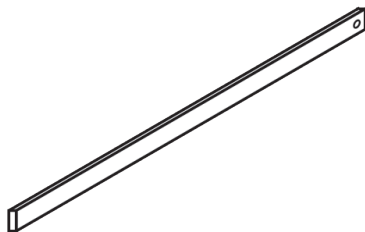


Lateral Bracket

- Four required per drawer
- Cream finish

Item #
BZRM.0004.10CM

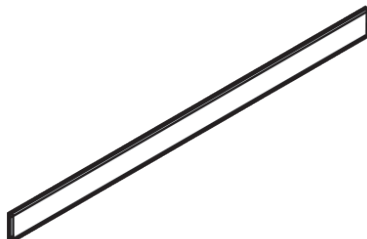
Hanging Rail



- Steel hanging rail, zinc
- 3mm x 13mm x 1100mm cut to length

Item #
BZRM.1100SV

Glide Profile

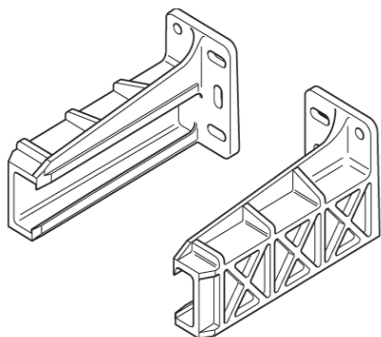


- 1100mm long, cut to length
- White finish

Item #
BZRM.1100GWH

A BLUM METABOX METAL DRAWER SYSTEM ACCESSORIES

B
C
D
E
F
G
H
I
J
K
L
M
N
O
P
Q
R
S
T
U
V
W
X
Y

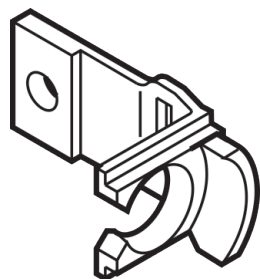


Rear Mount Sockets

- For use with METABOX 320N, 320M, 320K, 320H, and STANDARD 230M runners in frame cabinets
- Synthetic, cream color
- Attach with Blum #6 x 1/2" 612TH trusshead screws
- Cannot be used in conjunction with POSI-STOPS
- Includes left and right sockets
- Packed 100 pair per box



Item #
B602320

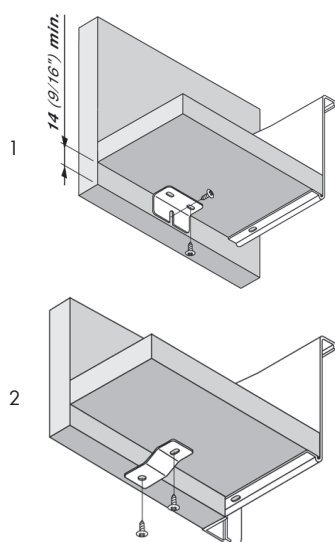


POSI-STOP Assembly

- Add-on device to keep drawer front from contacting the cabinet face
- Available in thicknesses of 1/16" (1.5mm) or 1/8" (3mm)
- Synthetic, natural finish
- Non-handed
- Use two per drawer
- Snap in place and secure with wood screw
- Will not work with rear mount sockets
- Packed in full boxes of 1,000



Item #	Gap
B298.3210	1/16" (1.5mm)
B298.3230	1/8" (3mm)



Drawer Front Support Brackets

- Add-on brackets for wide drawers to keep the front tight to the drawer bottom
- Stainless steel finish
- Attach with 612TH #6 x 1/2" trusshead screws
- Packed in full boxes of 500



	Item #	Description
1	BZSB.0090.01	For standard drawers
2	BZSB.0045	For interior roll-out trays

BLUM METABOX METAL DRAWER SYSTEM ACCESSORIES



Wood & Euro Screws



Item #	Description	Box Qty
B661.1000.HG	6.1mm x 10mm, #2 POZI	1,000
B661.1150.HG	6.1mm x 11.5mm, #2 POZI	1,000
B661.1300.HG	6.1mm x 13mm, #2 POZI	1,000
BSS-14.5MM	6.1mm x 14.5mm, #2 POZI	1,000
B661.2000.HG	6.1mm x 20mm, #2 POZI	1,000
B661.2500.HG	6.1mm x 25mm, #2 POZI	1,000
2 B606P-1000	#6 x 5/8", #2 POZI	1,000
3 B612TH	#6 x 1/2", #2 POZI Truss Head	1,000



POZI Driver and Bit

Item #	Description
BPD	#2 POZI Driver
B2X1POZIBIT	#2 x 1" POZI bit insert



Replacement Dowel and Screw

- Replacement dowel and screw for METABOX front fixing brackets

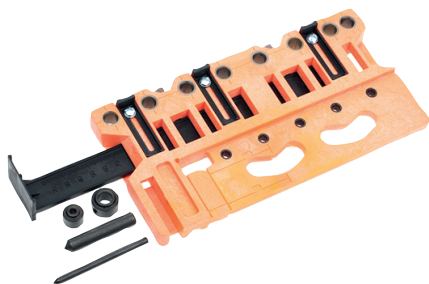
Item #	Description
B80.3532	10.4mm x 11.4mm nylon dowel
B608.1200	3.5 x 12mm for mounting dowels

Visit us on our website: wurthlac.com

A
B
C
D
E
F
G
H
I
J
K
L
M
N
O
P
Q
R
S
T
U
V
W
X
Y

A BLUM METABOX METAL DRAWER SYSTEM ASSEMBLY AIDS

A
B
C
D
E
F
G
H
I
J
K
L
M
N
O
P
Q
R
S
T
U
V
W
X
Y



Universal Boring Template Set

- Used for boring drawer fronts and locating all fixing positions
- Used to pre-bore for drawer fronts, bottoms and backs for LEGRABOX, TANDEMBOX, METABOX drawer systems, and AVENTOS mounting plates



Set includes:

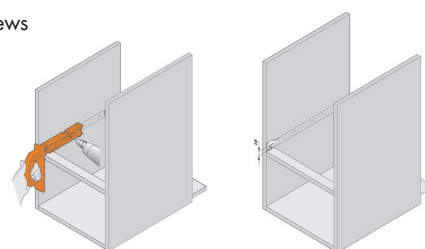
1. Template
2. 5mm marking pin
3. 10mm marking pin
4. 5mm stop collar
5. 10mm stop collar

Item #
BZML.0040



MINIFIX

- For precise positioning of cabinet profile fixing screws
- For METABOX series 320N, 320M, 320K, 320H and 230M STANDARD runners



Item #
B65.3300



Cabinet Profile Template Set

- Used for pre-boring holes for TANDEM drawer runners
- Also used for marking/pre-boring other Blum drawer systems, AVENTOS locating pins and hinge mounting plates

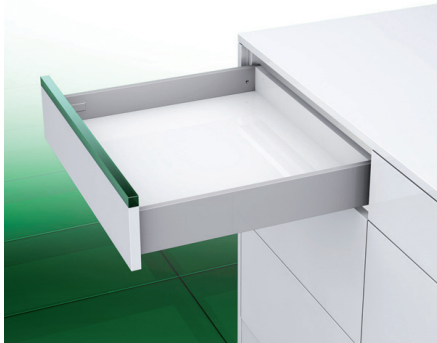
*** Set includes:**

1. Rail, 1 meter long
2. Replacement template (qty 4)
3. 2.5mm stop collar
4. 5mm stop collar
5. Allen wrench

Item #	Description
B65.1000.01	Cabinet Profile Template*
BDB-2.5MM	2.5mm RH Drill Bit
BDB-6MM	6mm RH Drill Bit



GRASS VIONARO DRAWER SYSTEMS



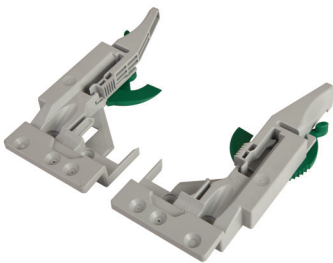
H89, 89mm (3-1/2") Side Height



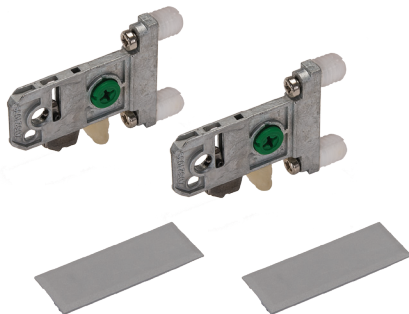
- Cubist design with 90° angles
- Slimline 13mm (1/2") side width
- 3 dimensional adjustment
- Integrated side and height adjustment, tilt angle adjustment at back
- Plus and minus adjustments for all dimensions
- Bottom panel is cut to size without notching
- Tool-free front assembly
- For frame and frameless cabinetry
- Compatible with Dynapro 16 with 2D or 3D adjustment
- Packaged 10 pair per box



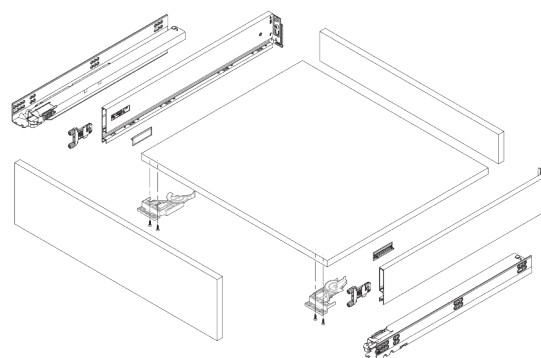
Vionaro H89 - 89mm (3-1/2") Side Height			
Drawer Length	White Item #	Silver Grey Item #	Graphite Item #
15"	GVIF135121403211	GVIF135121303211	GVIF135121353211
18"	GVIF135121406211	GVIF135121306211	GVIF135121356211
21"	GVIF135121409211	GVIF135121309211	GVIF135121359211



Front Locking Devices		
Item #	Description	Box Qty
GDPF134116420233	Left front locking device with flange	200
GDPF134116421233	Right front locking device with flange	200



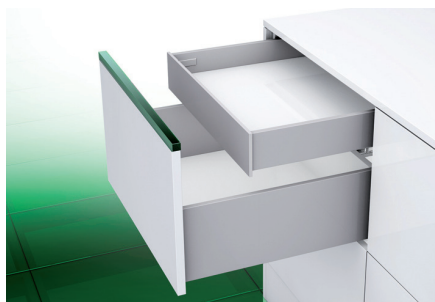
Adapter Sets for 89mm Height: Includes 2 front connectors with 10mm dowels and 2 interior cover caps		
Item #	Color	Box Qty
GVIF136135095517	White	50
GF136106491517	Silver Grey	50
GF136106492517	Graphite	50



A
B
C
D
E
F
G
H
I
J
K
L
M
N
O
P
Q
R
S
T
U
V
W
X
Y

A
B
C
D
E
F
G
H
I
J
K
L
M
N
O
P
Q
R
S
T
U
V
W
X
Y

GRASS VIONARO DRAWER SYSTEMS



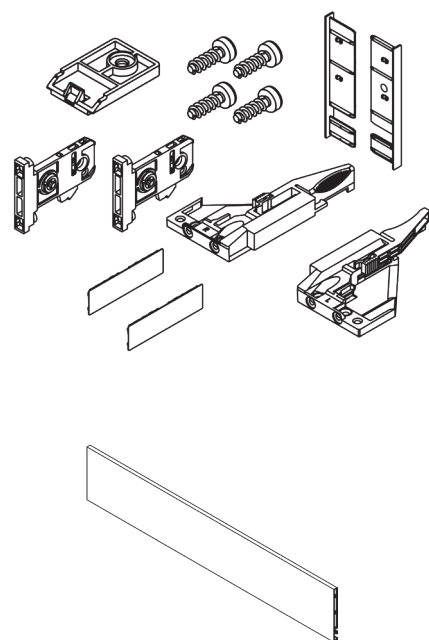
H89 Inset Front Panel and Accessory Set



- Color-coordinated aluminum front panel profile
- 89mm (3-1/2") side height
- Cubist design with 90° angles
- Slimline 13mm (1/2") side width
- Bottom panel is cut to size without notching

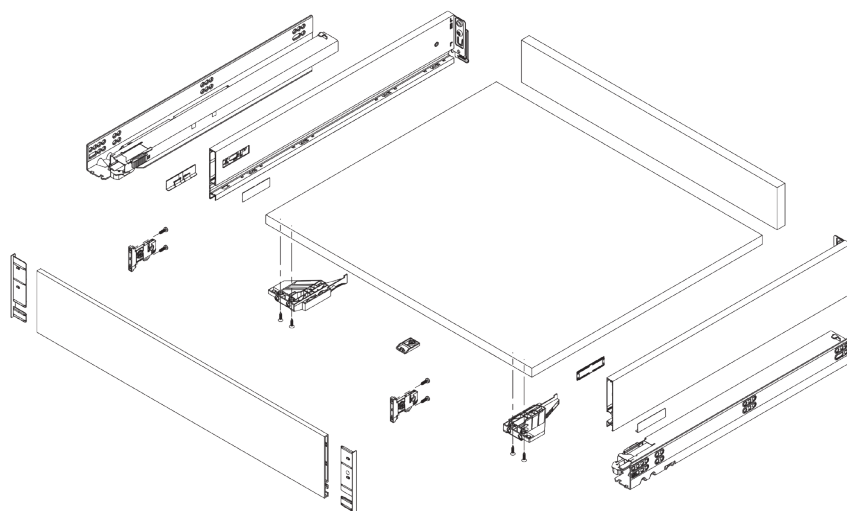
H89 Inset Drawer Accessory Sets*		
Item #	Color	Box Qty
GVIF136100279517	White	50
GVIF136100277517	Silver Grey	50
GVIF136100278517	Graphite	50

* Accessory set consists of: (2) Cover Caps, (1) Front Locking Device Set, Left/Right, (2) Front Connectors, (4) Front Connector Screws, (1) Front Bottom Connector, (2) End Caps

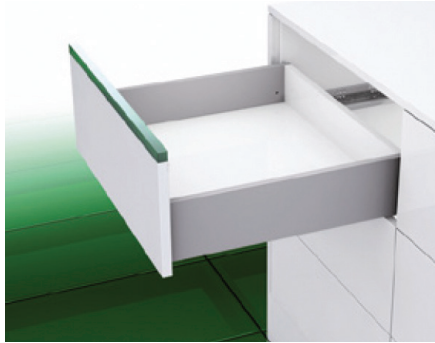


H89 Inset Front Panels - 45-11/16" (1160mm)*		
Item #	Color	Box Qty
GVIF136120569507	White	10
GVIF136122619507	Silver Grey	10
GVIF136120538507	Graphite	10

* H89 inset front panels can be cut to length. One side is pre-drilled and a drilling template is provided for the other side for accurate installation. Assembly instructions for the accessory set are included with each panel.



GRASS VIONARO DRAWER SYSTEMS



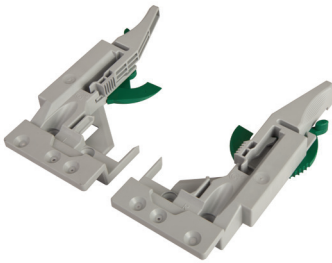
H121, 121mm (4-3/4") Side Height



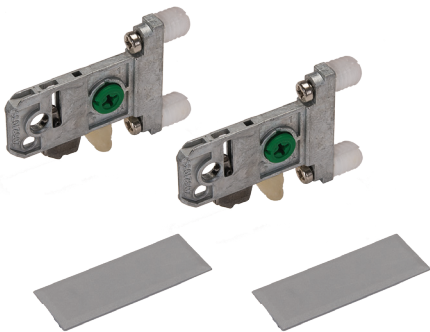
- Cubist design with 90° angles
- Slimline 13mm (1/2") side width
- 3 dimensional adjustment
- Integrated side and height adjustment, tilt angle adjustment at back
- Plus and minus adjustments for all dimensions
- Bottom panel is cut to size without notching
- Tool-free front assembly
- For frame and frameless cabinetry
- Compatible with Dynapro 16 with 2D or 3D adjustment
- Packaged 10 pair per box



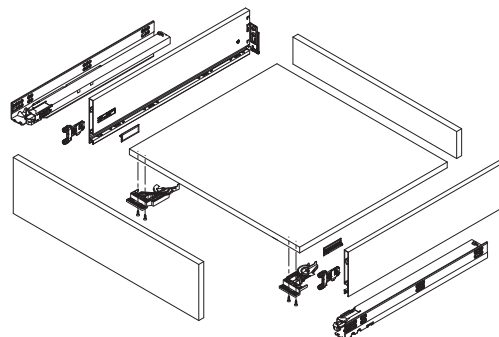
Vionaro H121 - 121mm (4-3/4") Side Height			
Drawer Length	White Item #	Silver Grey Item #	Graphite Item #
15"	GVIF135135041207	GVIF135135050207	GVIF135135059207
18"	GVIF135135044207	GVIF135135053207	GVIF135135062207
21"	GVIF135135047207	GVIF135135056207	GVIF135135065207



Front Locking Devices		
Item #	Description	Box Qty
GDPF134116420233	Left front locking device with flange	200
GDPF134116421233	Right front locking device with flange	200



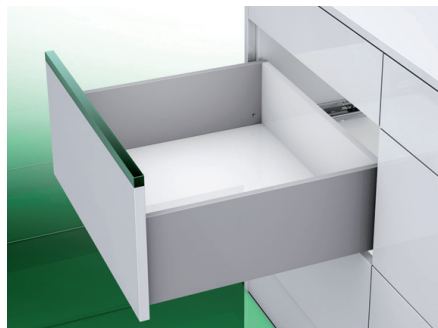
Adapter Sets for 121mm (4-3/4") Height: Includes 2 front connectors with 10mm dowels and 2 interior cover caps		
Item #	Color	Box Qty
GVIF136135095517	White	50
GF136106491517	Silver Grey	50
GF136106492517	Graphite	50



A
B
C
D
E
F
G
H
I
J
K
L
M
N
O
P
Q
R
S
T
U
V
W
X
Y

A
B
C
D
E
F
G
H
I
J
K
L
M
N
O
P
Q
R
S
T
U
V
W
X
Y

GRASS VIONARO DRAWER SYSTEMS



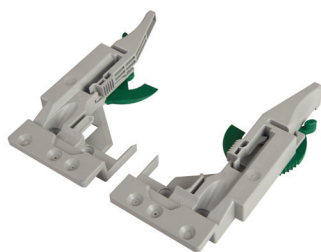
H185, 185mm (7-1/4") Side Height



- Cubist design with 90° angles
- Slimline 13mm (1/2") side width
- 3 dimensional adjustment
- Integrated side and height adjustment, tilt angle adjustment at back
- Plus and minus adjustments for all dimensions
- Bottom panel is cut to size without notching
- Tool-free front assembly
- For frame and frameless cabinetry
- Compatible with Dynapro 16 with 2D or 3D adjustment
- Packaged 5 pair per box



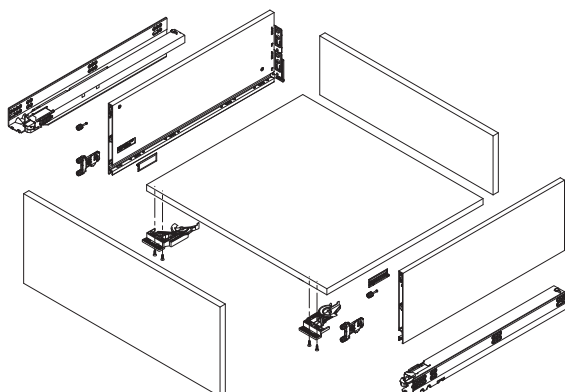
Vianaro H185 - 185mm (7-1/4") Side Height			
Drawer Length	White Item #	Silver Grey Item #	Graphite Item #
15"	GVIF135121603207	GVIF135121503207	GVIF135121553207
18"	GVIF135121606207	GVIF135121506207	GVIF135121556207
21"	GVIF135121609207	GVIF135121509207	GVIF135121559207



Front Locking Devices		
Item #	Description	Box Qty
GDPF134116420233	Left front locking device with flange	200
GDPF134116421233	Right front locking device with flange	200

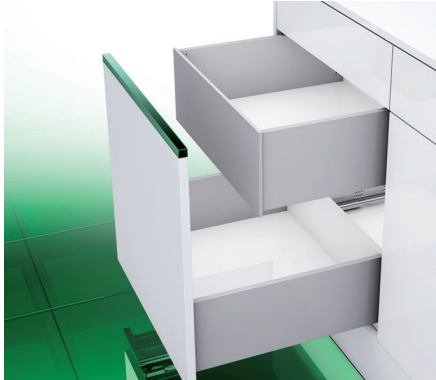


Adapter Sets for 185mm (4-3/4") Height: Includes 2 front connectors with 10mm dowels and 2 interior cover caps		
Item #	Color	Box Qty
GVIF136120589507	White	50
GVIF136122669507	Silver Grey	50
GVIF136120539507	Graphite	50



GRASS VIONARO DRAWER SYSTEMS

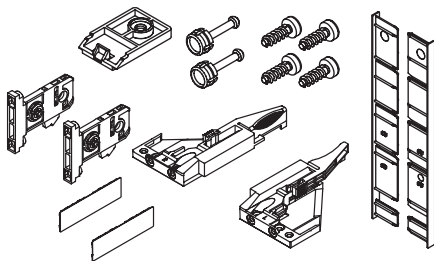
A
B
C
D
E
F
G
H
I
J
K
L
M
N
O
P
Q
R
S
T
U
V
W
X
Y



H185 Inset Front Panel and Accessory Set

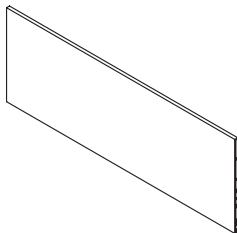


- Color-coordinated aluminum front panel profile
- 185mm (7-1/4") side height
- Cubist design with 90° angles
- Slimline 13mm (1/2") side width
- Bottom panel is cut to size without notching



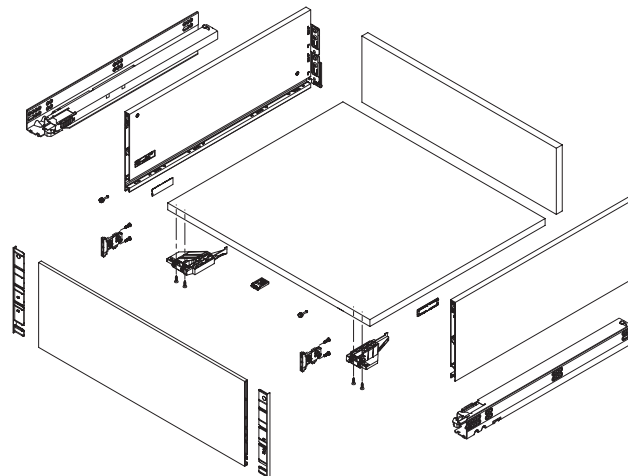
H185 Inset Drawer Accessory Sets*		
Item #	Color	Box Qty
GVIF136100320517	White	50
GVIF136100318517	Silver Grey	50
GVIF136100319517	Graphite	50

* Accessory set consists of: (2) Cover Caps, (1) Front Locking Device Set, Left/Right, (2) Front Connectors, (4) Front Connector Screws, (1) Front Bottom Connector, (2) End Caps, and (2) Front stabilizers with 8mm dowels



H185 Inset Front Panels - 45-11/16" (1160mm)*		
Item #	Color	Box Qty
GVIF136120589507	White	10
GVIF136122669507	Silver Grey	10
GVIF136120539507	Graphite	10

* H185 inset front panels can be cut to length. One side is pre-drilled and a drilling template is provided for the other side for accurate installation. Assembly instructions for the accessory set are included with each panel.



A
B
C
D
E
F
G
H
I
J
K
L
M
N
O
P
Q
R
S
T
U
V
W
X
Y

GRASS VIONARO DRAWER SYSTEMS



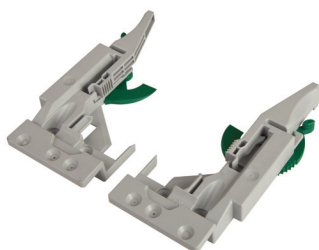
H249, 249mm (9-3/4") Side Height



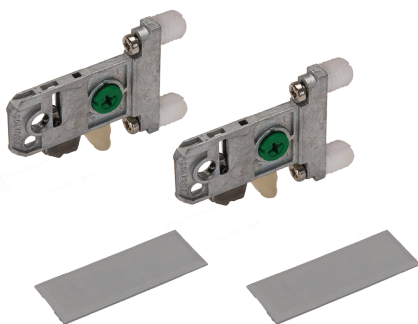
- Cubist design with 90° angles
- Slimline 13mm (1/2") side width
- 3 dimensional adjustment
- Integrated side and height adjustment, tilt angle adjustment at back
- Plus and minus adjustments for all dimensions
- Bottom panel is cut to size without notching
- Tool-free front assembly
- For frame and frameless cabinetry
- Compatible with Dynapro 16 with 2D or 3D adjustment
- Packaged 5 pair per box



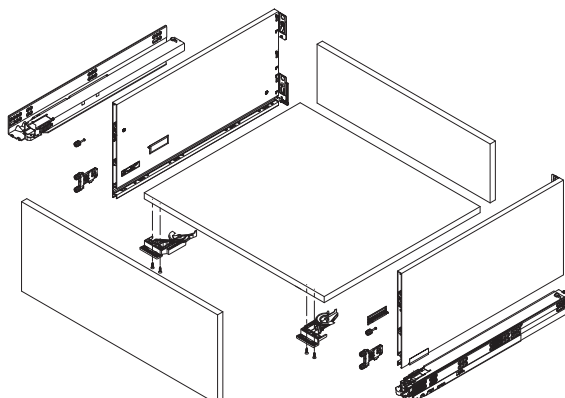
H249 - 249mm (9-3/4") Side Height			
Drawer Length	White Item #	Silver Grey Item #	Graphite Item #
15"	GVIF135135068207	GVIF135135077207	GVIF135135086207
18"	GVIF135135071207	GVIF135135080207	GVIF135135089207
21"	GVIF135135074207	GVIF135135083207	GVIF135135092207



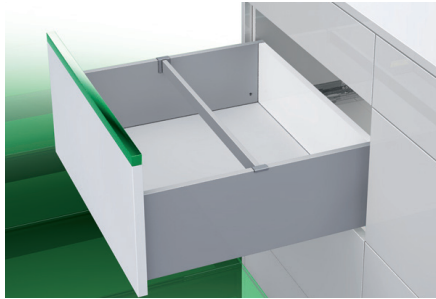
Front Locking Devices		
Item #	Description	Box Qty
GDPF134116420233	Left front locking device with flange	200
GDPF134116421233	Right front locking device with flange	200



Adapter Sets for 249mm (4-3/4") Height: Includes 2 front connectors with 10mm dowels and 2 interior cover caps		
Item #	Color	Box Qty
GVIF136100320517	White	50
GVIF136100318517	Silver Grey	50
GVIF136100320517	Graphite	50



GRASS VIONARO DRAWER SYSTEMS



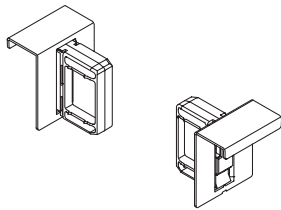
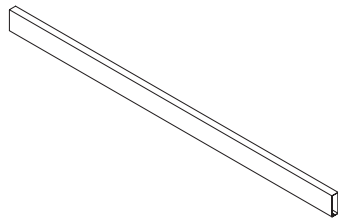
Cross-Divider Railing System



- Cross-divider for all Vionaro drawers
- Simple installation by mounting on the drawer side
- Can be retrofitted at any time
- Tool-free adjustment

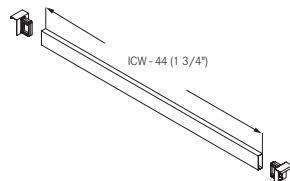
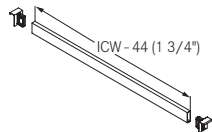
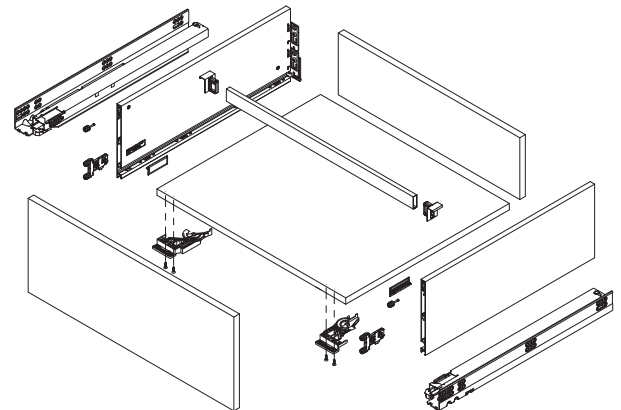
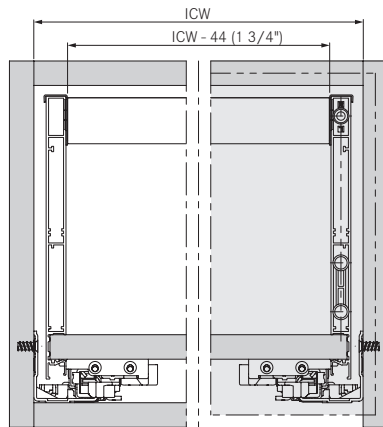
Cross-Divider: 1124mm (44-1/4") Can be cut to length

Item #	Color	Box Qty
GVIF136107417507	White	10
GVIF136107415507	Silver Grey	10
GVIF136107416507	Graphite	10



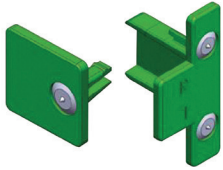
Holder for Cross-Divider

Item #	Color	Box Qty
GVIF136107481533	White	200
GVIF136107479533	Silver Grey	200
GVIF136107480533	Graphite	200



A
B
C
D
E
F
G
H
I
J
K
L
M
N
O
P
Q
R
S
T
U
V
W
X
Y

A GRASS VIONARO DRAWER SYSTEMS

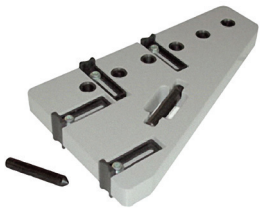


Marking Jig



- For exact marking of the drilled holes for the Vionaro front adapter
- Set contains: (1) marking jig for front connector and (1) marking jig for front stabilizer

Item #
GVIF146100545513



Drilling Jig

- Front drilling jig for Vionaro front adapter

Item #
GVIF146100562201

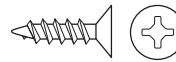


Punching Tool for Vionaro Front Stabilizer

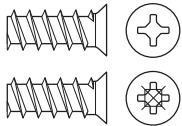
Item #
GVIF146116216299



Drill Bits for Aluminum Front Pull Outs	
Item #	Description
G00156-01	3mm, RH, for Vionaro
G00158-01	8mm, RH, for Vionaro



Wood Screw, Nickel-Plated		
Item #	Description	Box Qty
G6X58FHNI	#6 X 5/8" FHP, Nickel	500
G6X34FHNI	#6 X 3/4" FHP, Nickel	500

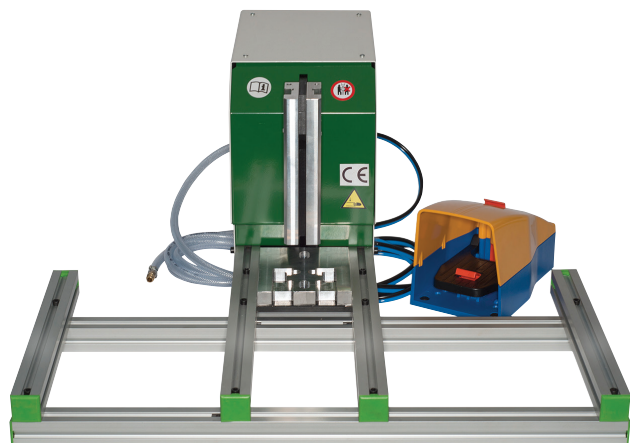


Euro Screw, Nickel-Plated		
Item #	Description	Box Qty
G499.360.61.1015	11mm (7/16") Pozi	500

Visit us on our website: wurthlac.com

The screenshot shows the Wurth website interface. At the top, there are links for 'Wurth Louis and Company', 'Large Machinery Quote', and 'Feedback'. On the right, there are links for 'Register or Apply', 'Sign in', and 'En'. The main header features the WÜRTH logo, a search bar with the placeholder 'Enter search criteria here', and a shopping cart icon showing '\$0.00'. Below the header, there is a 'Shop By Category' menu and a 'Home' button. The main content area includes a large banner for 'Wurth Louis and Company Introduces: RGB TUNABLE FLEXTAPE®' with a background image of a modern interior. To the right of this banner are two smaller promotional boxes: one for 'NOW HIRING!' with an 'Apply at: wurthlac.com/careers' link, and another for 'SUPPLY CHAIN CHALLENGES? We have you COVERED.' with a 'LEARN MORE' link.

GRASS VIONARO DRAWER SYSTEMS



ZRAM



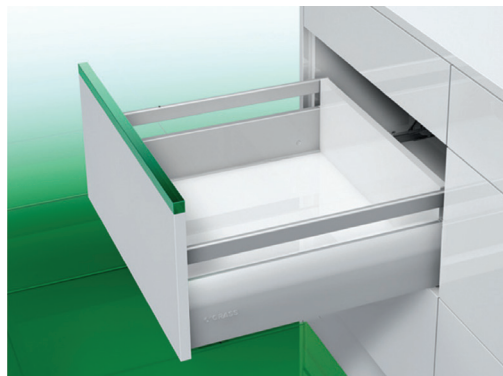
- Designed for manual assembly of dowelled Zargen 6036, 6035, 6136, 6236, 6436 and 6026
- Operated by foot pedal - air required
- No adjustment required when using various drawer lengths
- Economical solution for drawer assembly

Item #
G93250

A
B
C
D
E
F
G
H
I
J
K
L
M
N
O
P
Q
R
S
T
U
V
W
X
Y



GRASS NOVA PRO DRAWER SYSTEMS



Nova Pro 90mm (3-1/2") Drawer Sides



- Full extension for maximum access to drawer contents
- Available load capacities: 88lb (40kg) and 154lb (70kg) dynamic
- Soft-close liquid damping system
- Tool-free drawer front removal and installation
- Cam height adjustment and tool-free side adjustment of drawer front
- Metallic finish

Cabinet Members

Length	88lb Item #	Box Qty	154lb Item #	Box Qty
11"	GNP904-11B	10	-	-
12"	GNP904-12B	10	-	-
14"	GNP904-14B	10	-	-
16"	GNP904-16B	10	-	-
18"	GNP904-18B	10	GNP907-18B	5
20"	GNP904-20B	10	GNP907-20B	5
22"	GNP904-22B	10	GNP907-22B	5
24"	GNP904-24B	10	GNP907-24B	5
26"	-	-	GNP907-26B	5

Drawer Members - 90mm (3-1/2") - Metallic Finish

Item #	Length	Box Qty
GNP65000-11MET	11"	10
GNP65006-14MET	14"	10
GNP65009-16MET	16"	10
GNP65012-18MET	18"	10
GNP65016-20MET	20"	10
GNP65018-22MET	22"	10

Front Brackets - 2 Required per Drawer

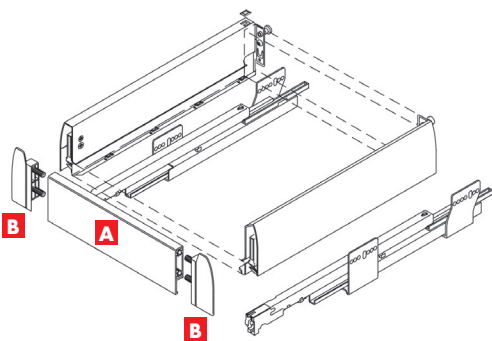
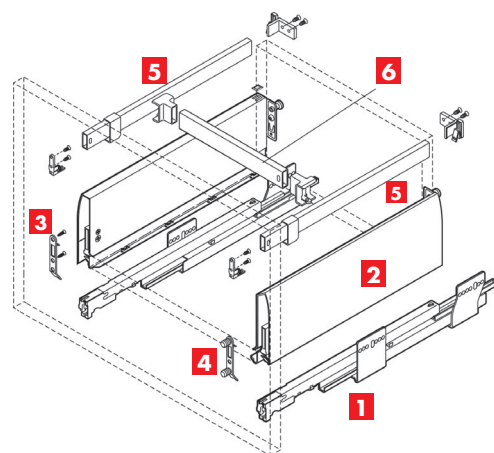
Item #	Description	Box Qty	
3	GNP21855	Screw-on Bracket	100
4	GNP21854	Dowelled Bracket	100

Side Railing Sets with Tilt Adjustment - Metallic Finish

Item #	Length	Box Qty
GNP45861-18MET	18"	10
GNP45862-20MET	20"	10
GNP45863-22MET	22"	10

Divider Railing Set

Item #	Length	Box Qty	
6	GVIF136107417507	44-1/4" (1124M)	10



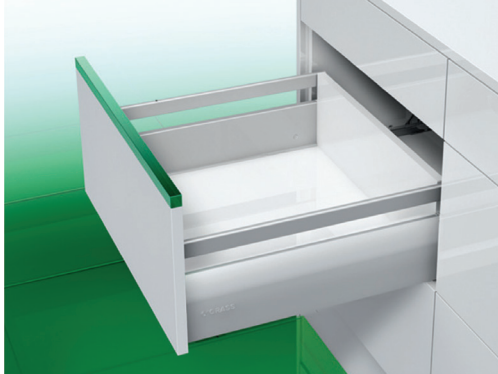
Panel Holder Set - For All Lengths

Item #	Box Qty	
A	GNP66501-MET	5

Front Panel Set

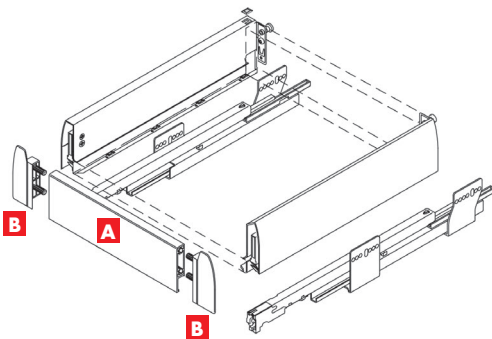
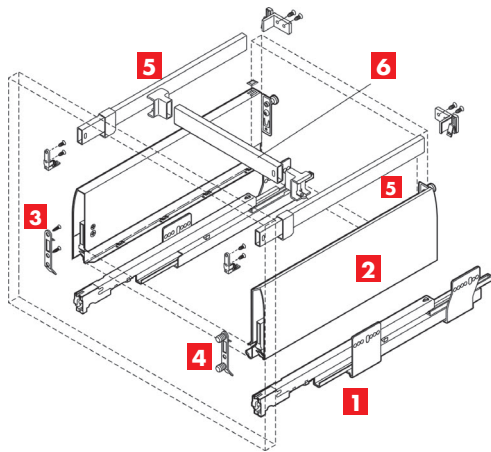
Item #	Length	Box Qty	
B	GNP51147-MET	47" (1200mm)	10

GRASS NOVA PRO DRAWER SYSTEMS



Nova Pro 122mm (4-3/4") Drawer Sides **GRASS®**

- Full extension for maximum access to drawer contents
- Available load capacities: 88lb (40kg) and 154lb (70kg) dynamic
- Soft-close liquid damping system
- Tool-free drawer front removal and installation
- Cam height adjustment and tool-free side adjustment of drawer front
- Metallic finish



Cabinet Members

	Length	88lb Item #	Box Qty	154lb Item #	Box Qty
1	11"	GNP904-11B	10	-	-
	12"	GNP904-12B	10	-	-
	14"	GNP904-14B	10	-	-
	16"	GNP904-16B	10	-	-
	18"	GNP904-18B	10	GNP907-18B	5
	20"	GNP904-20B	10	GNP907-20B	5
	22"	GNP904-22B	10	GNP907-22B	5
	24"	GNP904-24B	10	GNP907-24B	5
	26"	-	-	GNP907-26B	5

Drawer Members - 122mm (4-3/4") - Metallic Finish

	Item #	Length	Box Qty
2	GNP65156-16MET	16"	10
	GNP65159-18MET	18"	10
	GNP65162-20MET	20"	10
	GNP65165-22MET	22"	10

Front Brackets - 2 Required per Drawer

	Item #	Description	Box Qty
3	GNP21855	Screw-on Bracket	100
4	GNP21854	Dowelled Bracket	100

Side Railing Sets with Tilt Adjustment - Metallic Finish

	Item #	Length	Box Qty
5	GNP45861-18MET	18"	10
	GNP45862-20MET	20"	10
	GNP45863-22MET	22"	10

Divider Railing Set

	Item #	Length	Box Qty
6	GVIF136107417507	44-1/4" (1124M)	10

Panel Holder Set - For All Lengths

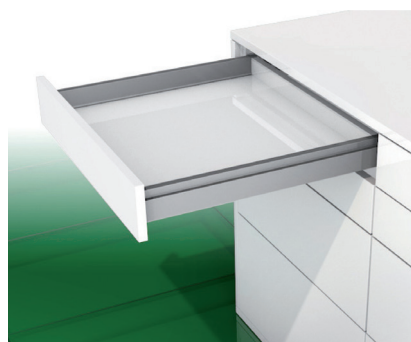
	Item #	Box Qty
A	GNP66501-MET	5

Front Panel Set

	Item #	Length	Box Qty
B	GNP51147-MET	47" (1200mm)	10

A
B
C
D
E
F
G
H
I
J
K
L
M
N
O
P
Q
R
S
T
U
V
W
X
Y

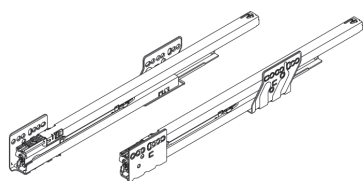
GRASS NOVA PRO SCALA DRAWER SYSTEMS



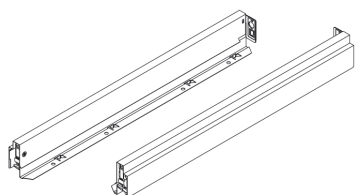
**Nova Pro Scala, Shallow Drawer
H63 Series - 63mm (2-1/2") Side Height
Drawer System**



- Extremely shallow drawer for limited heights
- Full extension for maximum access to drawer contents
- Integrated height and side adjustment
- Compatible with Tipmatic soft-close
- Tool-free drawer front removal and installation
- Available load capacities: 88 lb (40kg) and 154 lb (70kg) dynamic
- Fully synchronized slide technology
- Soft-close damping system



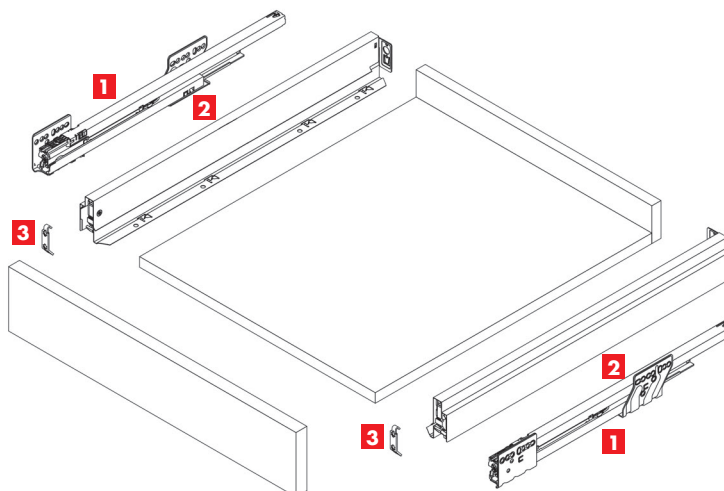
Cabinet Member Sets					
	Length	88 lb Item #	Box Qty	154 lb Item #	Box Qty
1	400mm (16")	GNP904-16B	10	-	-
	450mm (18")	GNP904-18B	10	GNP907-18B	5
	500mm (20")	GNP904-20B	10	GNP907-20B	5
	550mm (22")	GNP904-22B	10	GNP907-22B	5



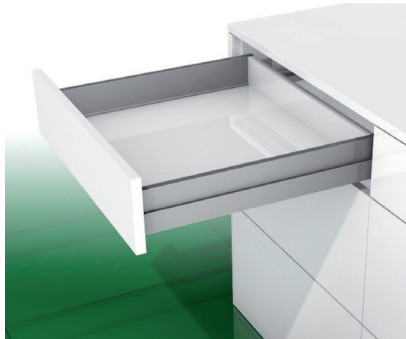
Drawer Member Sets					
	Length	Stone Item #	Ice Item #	Silver Item #	Box Qty
2	400mm (16")	GNPH63S-400MM	GNPH63I-400MM	GNPH63SL-400MM	10
	450mm (18")	GNPH63S-450MM	GNPH63I-450MM	GNPH63SL-450MM	10
	500mm (20")	GNPH63S-500MM	GNPH63I-500MM	GNPH63SL-500MM	10
	550mm (22")	GNPH63S-550MM	GNPH63I-550MM	GNPH63SL-550MM	10



Front Brackets - NOTE: Two brackets are required per drawer			
Item #	Description	Box Qty	
3	GNPH63FFB-SO	Screw-on H63 Bracket	100
	GNPH63FFB-DWL	Dowelled H63 Bracket, 10mm	100



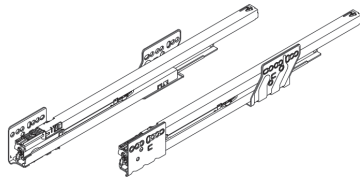
GRASS NOVA PRO SCALA DRAWER SYSTEMS



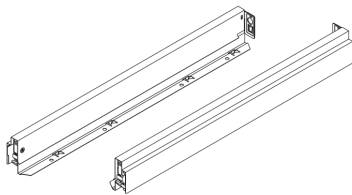
Nova Pro Scala, Standard Drawer H90 Series - 90mm (3-1/2") Side Height Drawer System



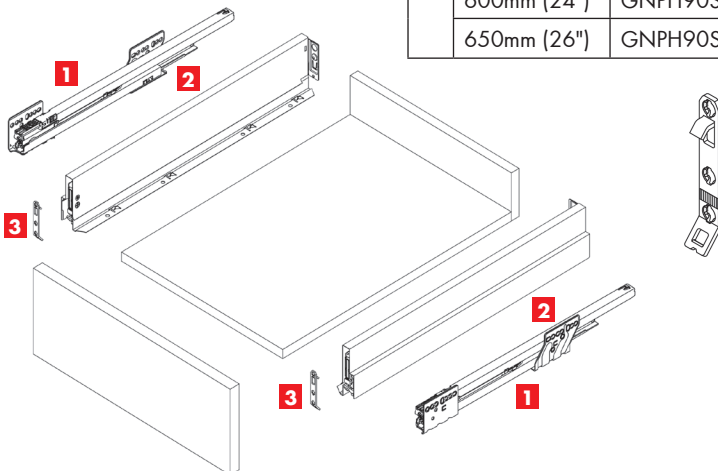
- Practical standard drawer for all applications
- Full extension for maximum access to drawer contents
- Integrated height and side adjustment
- Tool-free drawer front removal and installation
- Available load capacities: 88 lb (40kg) and 154 lb (70kg) dynamic
- Fully synchronized slide technology
- Compatible with Tipmatic soft-close
- Soft-close damping system



Cabinet Member Sets				
Length	88 lb Item #	Box Qty	154 lb Item #	Box Qty
270mm (11")	GNP904-11B	10	-	-
300mm (12")	GNP904-12B	10	-	-
350mm (14")	GNP904-14B	10	-	-
400mm (16")	GNP904-16B	10	-	-
450mm (18")	GNP904-18B	10	GNP907-18B	5
500mm (20")	GNP904-20B	10	GNP907-20B	5
550mm (22")	GNP904-22B	10	GNP907-22B	5
600mm (24")	GNP904-24B	10	GNP907-24B	5
650mm (26")	-	-	GNP907-26B	5



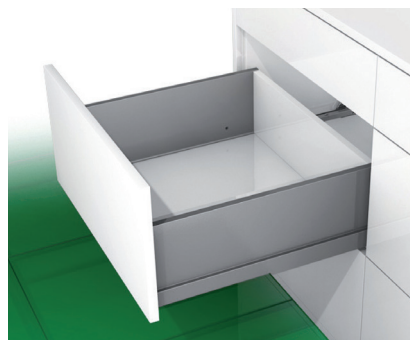
Drawer Member Sets				
Length	Stone Item #	Ice Item #	Silver Item #	Box Qty
270mm (11")	GNPH90S-270MM	GNPH90I-270MM	GNPH90SL-270MM	10
300mm (12")	GNPH90S-300MM	GNPH90I-300MM	GNPH90SL-300MM	10
350mm (14")	GNPH90S-350MM	GNPH90I-350MM	GNPH90SL-350MM	10
400mm (16")	GNPH90S-400MM	GNPH90I-400MM	GNPH90SL-400MM	10
450mm (18")	GNPH90S-450MM	GNPH90I-450MM	GNPH90SL-450MM	10
500mm (20")	GNPH90S-500MM	GNPH90I-500MM	GNPH90SL-500MM	10
550mm (22")	GNPH90S-550MM	GNPH90I-550MM	GNPH90SL-550MM	10
600mm (24")	GNPH90S-600MM	GNPH90I-600MM	GNPH90SL-600MM	10
650mm (26")	GNPH90S-650MM	GNPH90I-650MM	GNPH90SL-650MM	10



Front Brackets - NOTE: Two brackets are required per drawer		
Item #	Description	Box Qty
GNPH90FFB-SO	Screw-on Bracket	100
GNPH90FFB-DWL	Dowelled Bracket, 10mm	100

A
B
C
D
E
F
G
H
I
J
K
L
M
N
O
P
Q
R
S
T
U
V
W
X
Y

GRASS NOVA PRO SCALA DRAWER SYSTEMS



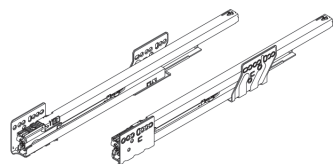
**Nova Pro Scala, Deep Drawer
H186 Series - 186mm (7-5/16") Side Height
Drawer System**



- Available load capacities: 88 lb (40kg) and 154 lb (70kg) dynamic
- High stability up to a front height of 780mm (30-11/16")
- Full extension for maximum access to drawer contents
- Tool-free drawer front removal and installation
- Fully synchronized slide technology
- Slim, deep drawer side
- Integrated height and side adjustment
- Compatible with Tipmatic soft-close
- Soft-close damping system

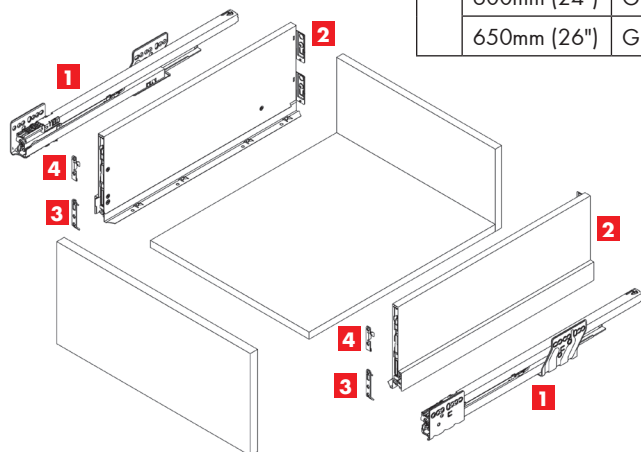
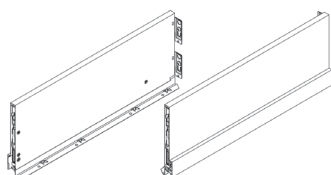
Cabinet Member Sets

Length	88 lb Item #	Box Qty	154 lb Item #	Box Qty
270mm (11")	GNP904-11B	10	-	-
300mm (12")	GNP904-12B	10	-	-
350mm (14")	GNP904-14B	10	-	-
400mm (16")	GNP904-16B	10	-	-
450mm (18")	GNP904-18B	10	GNP907-18B	5
500mm (20")	GNP904-20B	10	GNP907-20B	5
550mm (22")	GNP904-22B	10	GNP907-22B	5
600mm (24")	GNP904-24B	10	GNP907-24B	5
650mm (26")	-	-	GNP907-26B	5



Drawer Member Sets

Length	Stone Item #	Ice Item #	Silver Item #	Box Qty
270mm (11")	GNPH186S-270MM	GNPH186I-270MM	GNPH186SL-270MM	10
300mm (12")	GNPH186S-300MM	GNPH186I-300MM	GNPH186SL-300MM	10
350mm (14")	GNPH186S-350MM	GNPH186I-350MM	GNPH186SL-350MM	10
400mm (16")	GNPH186S-400MM	GNPH186I-400MM	GNPH186SL-400MM	10
450mm (18")	GNPH186S-450MM	GNPH186I-450MM	GNPH186SL-450MM	10
500mm (20")	GNPH186S-500MM	GNPH186I-500MM	GNPH186SL-500MM	10
550mm (22")	GNPH186S-550MM	GNPH186I-550MM	GNPH186SL-550MM	10
600mm (24")	GNPH186S-600MM	GNPH186I-600MM	GNPH186SL-600MM	10
650mm (26")	GNPH186S-650MM	GNPH186I-650MM	GNPH186SL-650MM	10



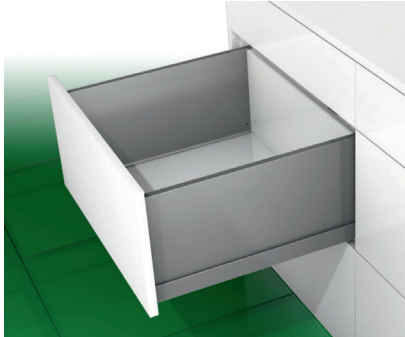
Front Brackets

Item #	Description	Box Qty
GNPH90FFB-SO	Screw-on Bracket	100
GNPH90FFB-DWL	Dowelled Bracket, 10mm	100

Front Clips

Item #	Description	Box Qty
GNPH186FFB-SO	Screw-on Front Clip	100
GNPH186FFB-DWL	Dowelled Front Clip, 10mm	100

GRASS NOVA PRO SCALA DRAWER SYSTEMS



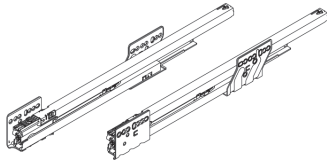
Nova Pro Scala, Deep Drawer H250 Series - 250mm (9-13/16") Side Height Drawer System



- Full extension for maximum access to drawer contents
- Tool-free drawer front removal and installation
- Available load capacities: 88 lb (40kg) and 154 lb (70kg) dynamic
- Slim, deep drawer side
- High stability up to a front height of 780mm (30-11/16")
- Integrated height and side adjustment
- Compatible with Tipmatic soft-close
- Fully synchronized slide technology
- Soft-close damping system

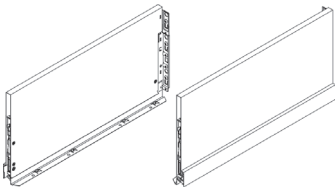
Cabinet Member Sets

	Length	88 lb Item #	Box Qty	154 lb Item #	Box Qty
1	400mm (16")	GNP904-16B	10	—	—
	450mm (18")	GNP904-18B	10	GNP907-18B	5
	500mm (20")	GNP904-20B	10	GNP907-20B	5
	550mm (22")	GNP904-22B	10	GNP907-22B	5
	600mm (24")	GNP904-24B	10	GNP907-24B	5



Drawer Member Sets

	Length	Stone Item #	Ice Item #	Silver Item #	Box Qty
2	400mm (16")	GNPH250S-400MM	GNPH250I-400MM	GNPH250SL-400MM	5
	450mm (18")	GNPH250S-450MM	GNPH250I-450MM	GNPH250SL-450MM	5
	500mm (20")	GNPH250S-500MM	GNPH250I-500MM	GNPH250SL-500MM	5
	550mm (22")	GNPH250S-550MM	GNPH250I-550MM	GNPH250SL-550MM	5
	600mm (24")	GNPH250S-600MM	GNPH250I-600MM	GNPH250SL-600MM	5



Front Brackets

	Item #	Description	Box Qty
3	GNPH90FFB-SO	Screw-on Bracket	100
	GNPH90FFB-DWL	Dowelled Bracket, 10mm	100



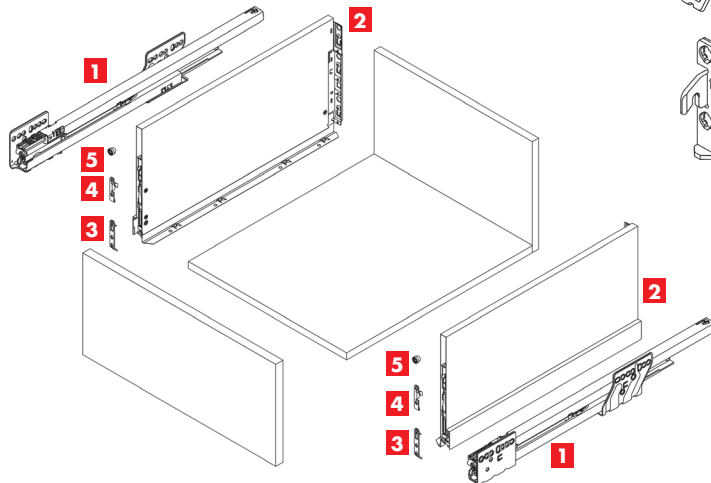
Front Clips

	Item #	Description	Box Qty
4	GNPH186FFB-SO	Screw-on Front Clip	100
	GNPH186FFB-DWL	Dowelled Front Clip, 10mm	100



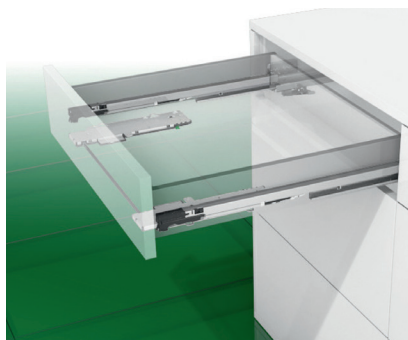
Front Stabilizer

	Item #	Description	Box Qty
5	GNPDFS	Front Stabilizer	100



A
B
C
D
E
F
G
H
I
J
K
L
M
N
O
P
Q
R
S
T
U
V
W
X
Y

GRASS NOVA PRO SCALA DRAWER SYSTEMS

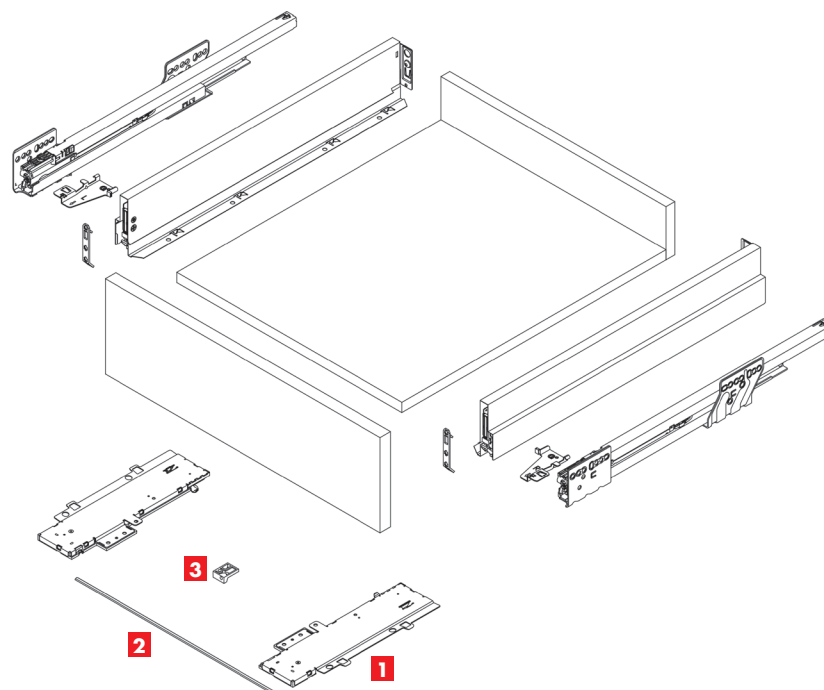
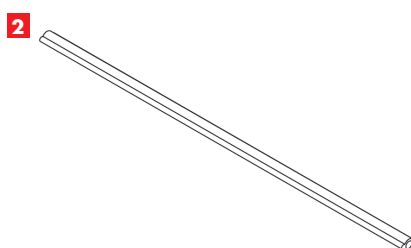
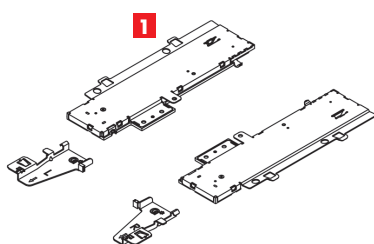


**Nova Pro Scala Tipmatic Soft-Close
Tipmatic Full Extension with Soft-Close Action**

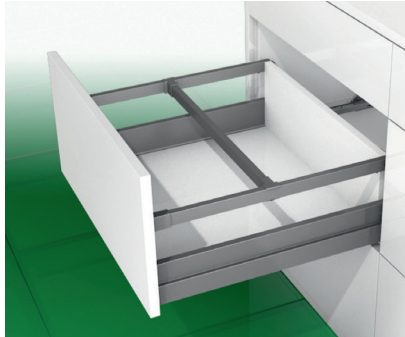


- Mechanical opening system for handle free fronts
- Combines Tipmatic function with Soft-close damping
- Tool-free assembly of the Tipmatic Soft-close unit
- One unit for all Nova Pro Scala lengths and weight classes
- 3 tier adjustment for the opening force
- Wide activation zone due to synchronization bar

Tipmatic Soft-Close			
	Item #	Description	Box Qty
1	GNP-TIPMATIC	Tipmatic Soft-Close Set, Unit & Activator	10
2	GNP-TIPMATICBAR	Tipmatic Synchronization Bar - Cut to Length, 962mm (37-7/8")	10
3	GNP-TIPMATICBARS	Tipmatic Synchronization Bar Support - Screw-on	10



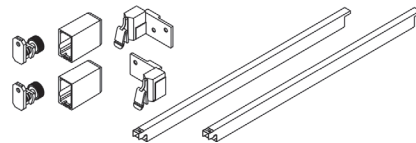
GRASS NOVA PRO SCALA DRAWER SYSTEMS



Nova Pro Scala Rectangular Railing



- Snug-fitting rectangular railing
- Flush-fitting back panel adapter
- Easy installation
- Easy tilt adjustment
- For use with Nova Pro Scala drawer sides
- Complete set packaging

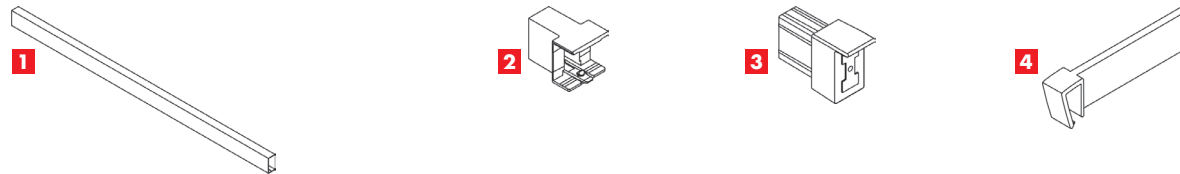


Rectangular Railing Sets - Includes (2) railings, (2) cover caps, railing bracket front L/R, and railing bracket back L/R

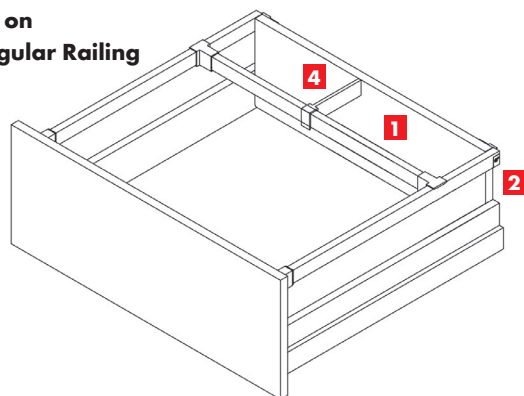
Length	Stone Item #	Ice Item #	Silver Item #	Box Qty
270mm (11")	GNPSRS-270MM	GNPSRI-270MM	GNPSRSL-270MM	10
300mm (12")	GNPSRS-300MM	GNPSRI-300MM	GNPSRSL-300MM	10
350mm (14")	GNPSRS-350MM	GNPSRI-350MM	GNPSRSL-350MM	10
400mm (16")	GNPSRS-400MM	GNPSRI-400MM	GNPSRSL-400MM	10
450mm (18")	GNPSRS-450MM	GNPSRI-450MM	GNPSRSL-450MM	10
500mm (20")	GNPSRS-500MM	GNPSRI-500MM	GNPSRSL-500MM	10
550mm (22")	GNPSRS-550MM	GNPSRI-550MM	GNPSRSL-550MM	10
600mm (24")	GNPSRS-600MM	GNPSRI-600MM	GNPSRSL-600MM	10
650mm (26")	GNPSRS-650MM	GNPSRI-650MM	GNPSRSL-650MM	10

Drawer Member Sets

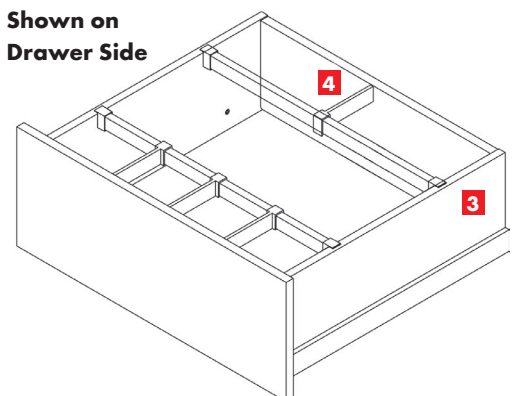
Description	Stone Item #	Ice Item #	Silver Item #	Box Qty
1 Divider Railing - Cut to Length - 1150mm (45-1/2")	GNPDRS-1150MM	GNPDRI-1150MM	GNPDRSL-1150MM	100
2 Divider Railing Clip - For Railing	GNPDRS-CLIP	GNPDRI-CLIP	GNPDRSL-CLSLP	100
3 Divider Railing Clip - For Drawer Side	GNPDRSA-CLIP	GNPDRIA-CLIP	GNPDRSLA-CLSLP	100
4 Cross Divider for Railing	GNPDRS-CLSP	GNPDRS-CLIP	GNPDRS-CLSLP	100



Shown on Rectangular Railing

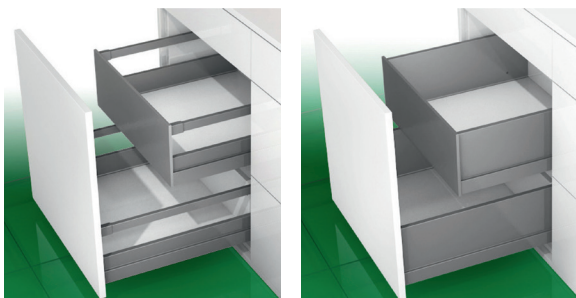


Shown on Drawer Side



A
B
C
D
E
F
G
H
I
J
K
L
M
N
O
P
Q
R
S
T
U
V
W
X
Y

GRASS NOVA PRO SCALA DRAWER SYSTEMS



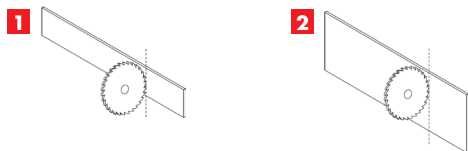
**Nova Pro Scala Inset
Drawer System
H90/H90 with Railing/H186**



- Color coordinated aluminum front panel profile
- For 90mm (3-1/2") and 186mm (7-5/16") side heights

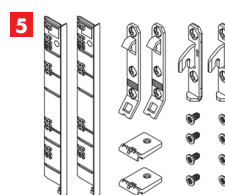
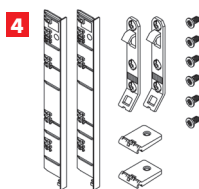
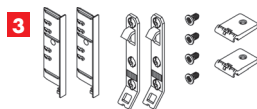
Inset Panels - Cut to Length

Description	Length	Stone Item #	Ice Item #	Silver Item #	Box Qty
1 Inset Panel for H90	1160mm (45-11/16")	GNPH90S-INSET	GNPH90I-INSET	GNPH90SL-SLINSET	20
2 Inset Panel for H186 or H90 with Railing	1160mm (45-11/16")	GNPH090S-INSET	GNPH090I-INSET	GNPH090SL-INSET	10



Accessory Sets

Description	Stone Item #	Ice Item #	Silver Item #	Box Qty
3 Inset Panel H90 Accessory Set	GNPH90S-INSETK	GNPH90I-INSETK	GNPH90SL-SLINSETK	50
4 Inset Panel H90 with Railing Accessory Set	GNPH90S-INSETR	GNPH90I-INSETR	GNPH90SL-SLINSETR	50
5 Inset Panel H186 Accessory Set	GNPH186S-INSET	GNPH186I-INSET	GNPH186SL-INSET	50



H90 Accessory Set Includes:

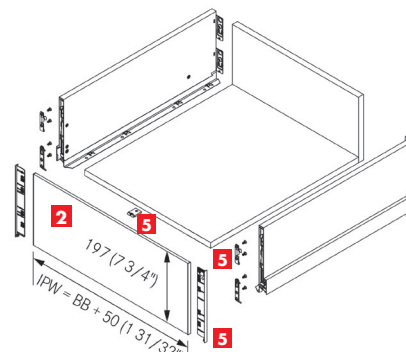
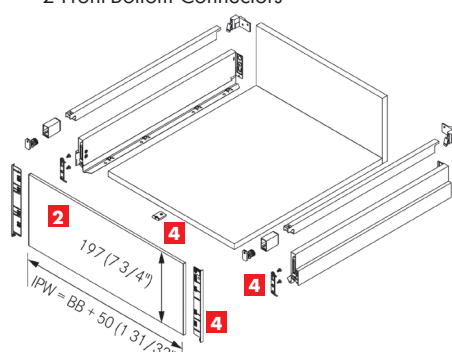
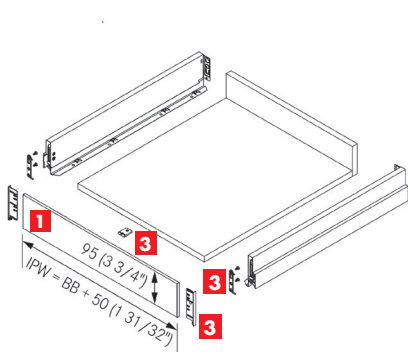
- 2 Cover Caps
- 2 Installation Brackets
- 4 Special Screws
- 2 Front Bottom Connectors

H186 Accessory Set Includes:

- 2 Cover Caps
- 2 Installation Brackets
- 2 Front Clips
- 8 Special Screws
- 2 Front-Bottom Connectors

H186/H90 w/Railing Accessory Set Includes:

- 2 Cover Caps
- 2 Installation Brackets
- 6 Special Screws
- 2 Front Bottom Connectors



GRASS NOVA PRO SCALA DRAWER SYSTEMS



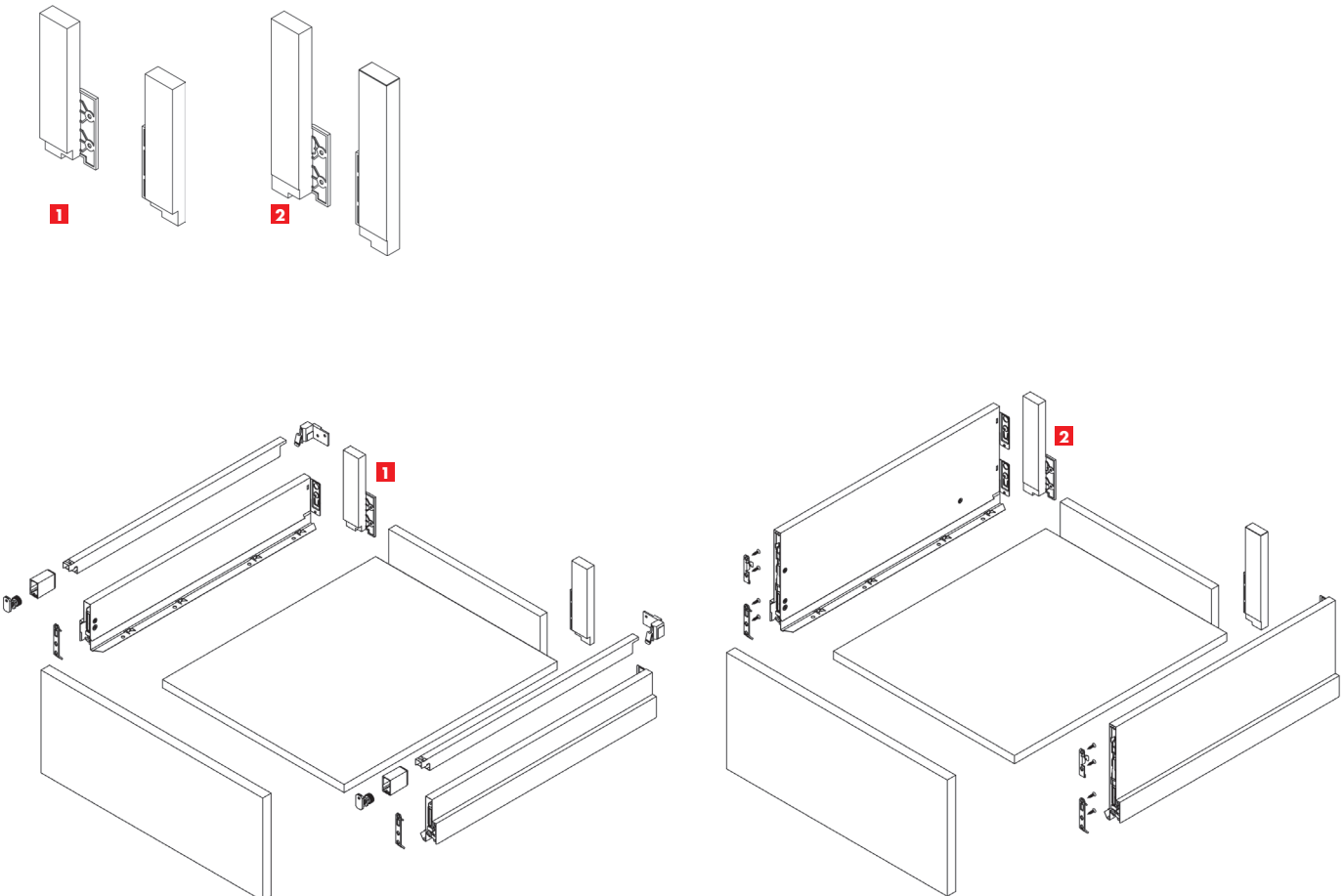
Nova Pro Scala, Sink Back Panel Holder H90 with Railing of H186



- Sink back panel holder for H90 with Rectangular Railing and H186 Drawer Sides
- Easy and quick production of drawers
- Provides a trap cut-out using rectangular wooden back panel
- Color-coordinated with all Nova Pro Scala drawer sides

A
B
C
D
E
F
G
H
I
J
K
L
M
N
O
P
Q
R
S
T
U
V
W
X
Y

Sink Back Panel Holders					
	Description	Stone Item #	Ice Item #	Silver Item #	Box Qty
1	Sink Back Panel Holder for H90 with Railing - Left	GNPH90S-SBLH	GNPH90I-SBLH	GNPH186SL-INSET	50
	Sink Back Panel Holder for H90 with Railing - Right	GNPH90S-SBRH	GNPH90I-SBRH	GNPH90SL-SBRH	50
2	Sink Back Panel Holder for H186 - Set	GNPH186S-SB	GNPH186I-SB	GNPH186SL-SB	10

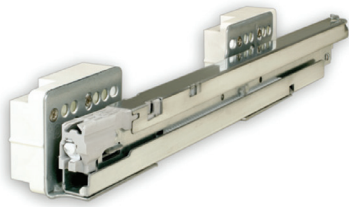


GRASS NOVA PRO SCALA ACCESSORIES



Cabinet Member Spacers

- Used to space slides away from the cabinet sides for interior drawer applications
- Thickness 25mm (1")
- Universal, non-handed
- Can be mounted with euro or wood screws
- Use (2) per side



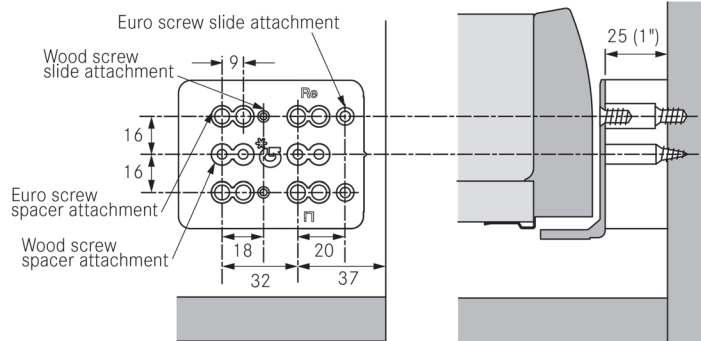
1



2



Item #	Description	Box Qty
1	GF102062616211 Nova Pro Spacer - White	20
2	GF102131359211 Nova Pro Spacer - Stone	20



Bottom Mount Bracket

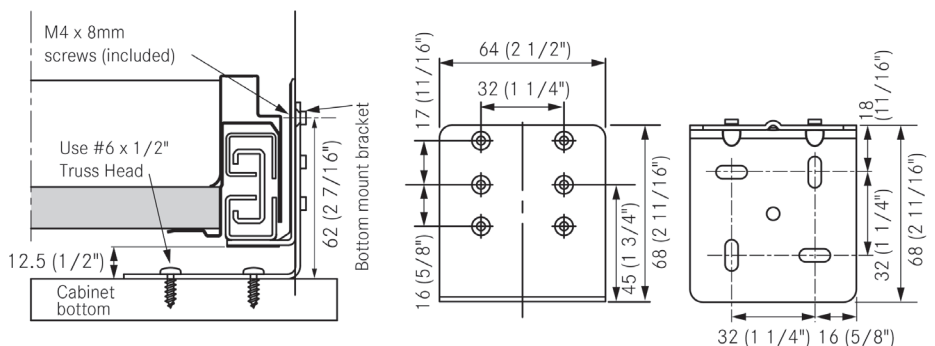
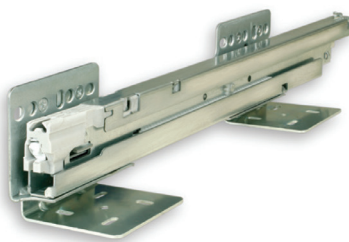
- Used to mount slides to a cabinet bottom of shelf for interior roll out trays
- Works with Dynapro and Nova Pro Scala drawer slides



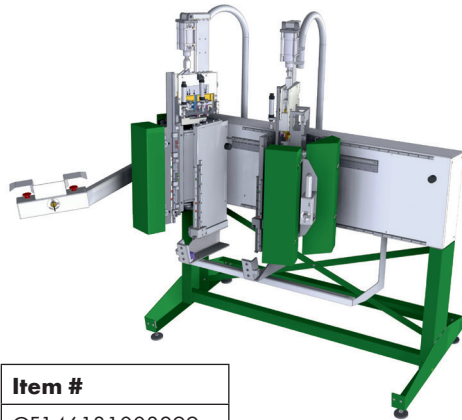
Item #	Description	Box Qty
G00443-40	Interior Drawer Bracket, Set	25

Set Includes:

- (4) non-handed, zinc plated, steel brackets
- (8) M4 screws to attach slides to brackets
- (8) #8 x 5/8" PHP screws to mount brackets to cabinet



GRASS NOVA PRO SCALA MACHINERY



Item #
GF146131003299

Tecmator ZP-N-E2



Machine Application:

- Suitable for assembling Nova Pro Scala drawers – without having to change the press-in brackets
- Suitable for assembling wooden back panels
- Can be used to assemble wooden back panels with Nova Pro Scala H250 (3 dowels)
- For drawer widths up to 1200mm

Features:

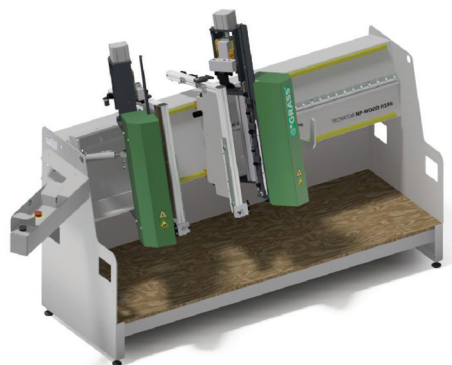
- Nova Pro Scala drawers can be assembled in 10 seconds
- Easy handling of parts on the machine
- Sturdy frame construction
- Flexible adjustment of the drawer width using the wooden back panel template (as standard or can also be retrofitted)
- The width is easily adjustable using pneumatic clamping
- Fast operating sequences

Standard equipment:

- Bottom claw pressing for all nominal lengths
- Stop set for cabinet width 250 – 1200 (50 mm increments)
- Stops for wooden back panel heights

Technical Data:

- Pneumatic Connections: min 6 bar to max 10 bar
- Dimensions: 2.45m W x 1.0m D x 2.2m H (96-7/16" W x 39-3/8" D x 86-5/8" H)
- Weight: 220 kg (485 lbs)



Item #
GF146032089299

Tecmator ZP-N-Wood H186

Machine Application:

- For Nova Pro Scala drawers with wooden backs
- Assembles side heights up to 186mm
- For cabinet widths 250mm -1200mm

Features:

- Easy and fast drawer assembly
- Easy handling of parts on the machine
- Sturdy frame construction
- Suitable for rapid production
- Flexible setting of the drawer width with a wooden back panel gauge
- Easy width adjustment

Standard equipment:

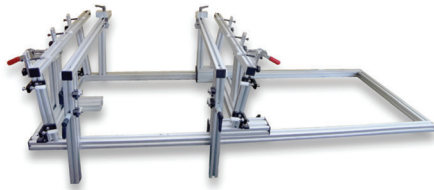
- Bottom claw pressing for all nominal lengths
- Stop set for cabinet width 250 – 1200 (50 mm increments)
- Stops for the wooden back panel depth

Technical Data:

- Pneumatic Connections: min 6 bar to max 8 bar
- Dimensions: 2.65m W x .92m D x 2.3m H (104-5/16" W x 36-1/4" D x 90-9/16" H)
- Weight: 249 kg (549 lbs)

A
B
C
D
E
F
G
H
I
J
K
L
M
N
O
P
Q
R
S
T
U
V
W
X
Y

GRASS NOVA PRO SCALA MACHINERY & ASSEMBLY AIDS



Item #
GF146132388201

ZMV-FIX H250

Machine Application:

- Tabletop drawer press suitable for pressing Grass double wall drawer systems including Nova Pro Scala and Vionaro
- For drawers with wooden back panels
- Drawer side heights of up to 250mm
- Variable drawer width up to 1200mm

Features:

- Easy and straightforward handling of the individual parts on the machine
- Light frame construction 12 kg (26.5 lb)
- Suitable for individual production
- Flexible setting of the drawer width with a wooden back panel gauge (standard)
- Easy width adjustment

Standard equipment:

- Flexible setting of the stops for the drawer depth
- Flexible setting of the stops for the wooden back panel heights
- Flexible setting of the drawer width with a wooden back panel gauge

Insertion Die for Dowelled Front Brackets

- For use with Nova Pro Scala front brackets
- Works with Grass Ecopress machine



Item #
GNP94488



Marking Jig Set

- For exact marking of the drill holes for Nova Pro Scala front brackets

Item #	Description
GF146094036513	Nova Pro Scala H63
GF146092050513	Nova Pro Scala H90
GF146101908513	Nova Pro Scala H186/H250



Front Drilling Jig

- For Nova Pro Scala front fastening, railing and add-on systems
- Can be used for drilling drawer sides of all heights
- High-quality aluminum construction

Item #
GF146130983201

Punch-In Tool for Front Brackets

- Positions and installs front brackets for Nova Pro Scala H63, H90, and H186



Item #	Description
GF146094035501	Nova Pro Scala H63
GF146091555501	Nova Pro Scala H90/H186

Punch-in Tool for Front Clip

- Positions and installs the front clip for Nova Pro Scala H186



Item #
GF146102472101

Punch-In Tool for Front-Bottom Connector

- Positions and installs the front-bottom connector



Item #
GF146083271101

GRASS ZARGEN STEEL DRAWER SYSTEMS



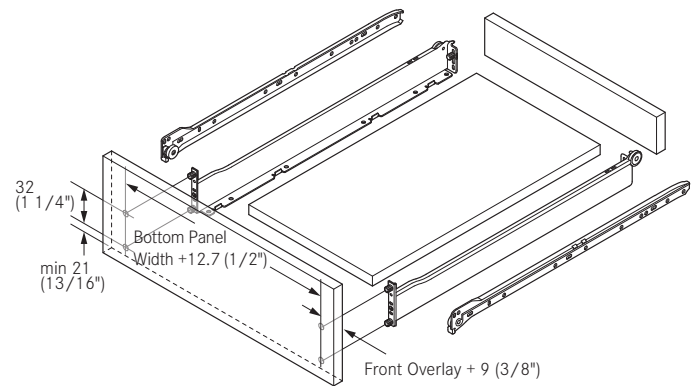
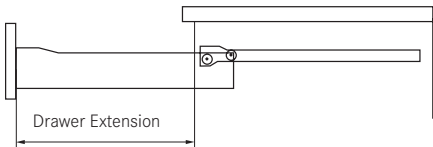
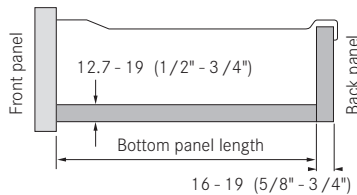
Zargen 6035 1-11/16" (43mm) Side Height



- Integrated drawer slide and drawer side
- Self-closing feature with 60mm (2-3/8") closing range
- Built-in drawer front bumpers
- Quick assembly through dowelled and integrated front fixing brackets
- White epoxy finish
- Tolerance adjustment 2mm (3/32")
- Load capacity: 100 lb
- Adjustments: Cam height (± 2 mm), side (± 1.5 mm)
- Made in the USA



Item #	Length	Box Qty
G6035-14WHL	13-3/4" (350mm)	10
G6035-16WHL	15-3/4" (400mm)	10
G6035-18WHL	17-3/8" (440mm)	10
G6035-19WHL	18-1/2" (470mm)	10
G6035-20WHL	20-1/16" (510mm)	10
G6035-22WHL	21-5/8" (550mm)	10



Slide Length	Bottom Panel Length		Extension	
	16mm (5/8") Back Panel	19mm (3/4") Back Panel	Single Stop	Double Stop
350 (13 3/4")	331 (13 1/16")	328 (12 15/16")	280 (11")	-
400 (15 3/4")	381 (15")	378 (14 7/8")	300 (11 13/16")	314 (12 3/8")
440 (17 3/8")	421 (16 9/16")	418 (16 7/16")	340 (13 3/8")	354 (13 15/16")
470 (18 1/2")	451 (17 3/4")	448 (17 5/8")	370 (14 9/16")	384 (15 1/8")
510 (20 1/16")	491 (19 5/16")	488 (19 3/16")	410 (16 1/8")	424 (16 11/16")
550 (21 5/8")	531 (20 7/8")	528 (20 13/16")	450 (17 11/16")	464 (18 1/4")

A
B
C
D
E
F
G
H
I
J
K
L
M
N
O
P
Q
R
S
T
U
V
W
X
Y

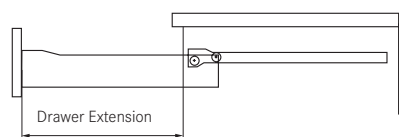
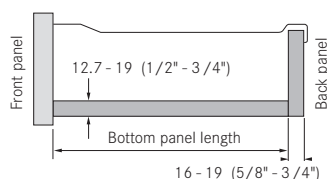
GRASS ZARGEN STEEL DRAWER SYSTEMS



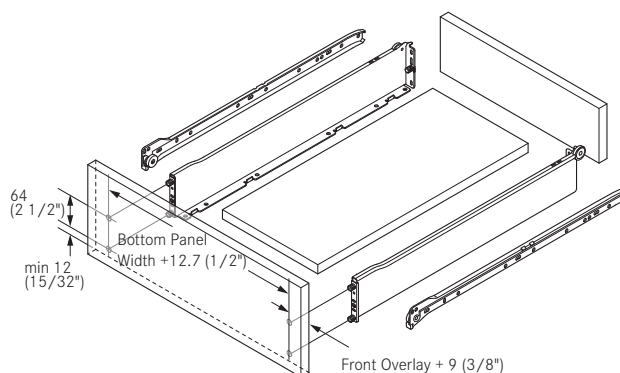
Zargen 6036 3-3/8" (85mm) Side Height



- Integrated drawer slide and drawer side
- Self-closing feature with 60mm (2-3/8") closing range
- Built-in drawer front bumpers
- Quick assembly through dowelled and integrated front fixing brackets
- White epoxy finish
- Tolerance adjustment 2mm (3/32")
- Load capacity: 100 lb
- Adjustments: Cam height (± 2 mm), side (± 1.5 mm)
- Made in the USA

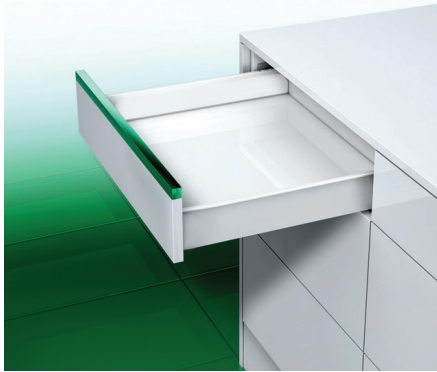


Item #	Length	Box Qty
G6036-10WHL	10-5/8" (270mm)	10
G6036-14WHL	13-3/4" (350mm)	10
G6036-16WHL	15-3/4" (400mm)	10
G6036-18WHL	17-3/8" (440mm)	10
G6036-19WHL	18-1/2" (470mm)	10
G6036-20WHL	20-1/16" (510mm)	10
G6036-22WHL	21-5/8" (550mm)	10
G6036-20WHLB	20-1/16" (510mm)	300
G6036-22WHLB	21-5/8" (550mm)	300



Slide Length	Bottom Panel Length		Extension	
	16mm (5/8") Back Panel	19mm (3/4") Back Panel	Single Stop	Double Stop
350 (13 3/4")	331 (13 1/16")	328 (12 15/16")	280 (11")	-
400 (15 3/4")	381 (15")	378 (14 7/8")	300 (11 13/16")	314 (12 3/8")
440 (17 3/8")	421 (16 9/16")	418 (16 7/16")	340 (13 3/8")	354 (13 15/16")
470 (18 1/2")	451 (17 3/4")	448 (17 5/8")	370 (14 9/16")	384 (15 1/8")
510 (20 1/16")	491 (19 5/16")	488 (19 3/16")	410 (16 1/8")	424 (16 11/16")
550 (21 5/8")	531 (20 7/8")	528 (20 13/16")	450 (17 11/16")	464 (18 1/4")

GRASS ZARGEN STEEL DRAWER SYSTEMS



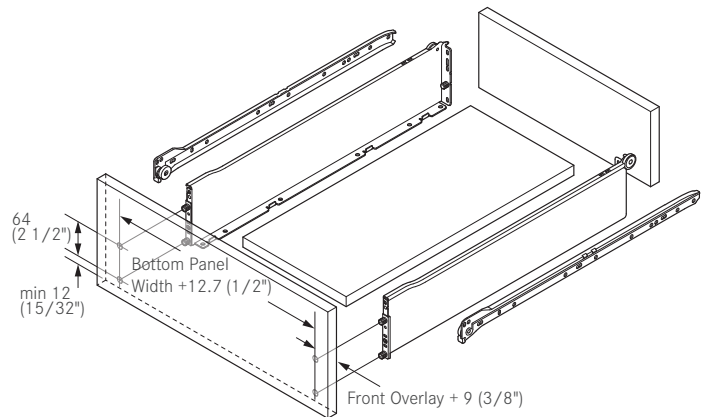
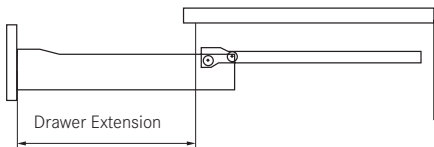
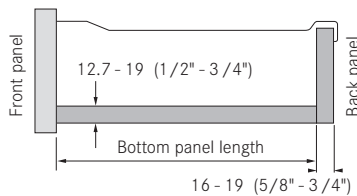
Zargen 6136 4-5/8" (117mm) Side Height



- Integrated drawer slide and drawer side
- Self-closing feature with 60mm (2-3/8") closing range
- Built-in drawer front bumpers
- Quick assembly through dowelled and integrated front fixing brackets
- White epoxy finish
- Tolerance adjustment 2mm (3/32")
- Load capacity: 100 lb
- Adjustments: Cam height (± 2 mm), side (± 1.5 mm)
- Made in the USA



Item #	Length	Box Qty
G6136-14WHB	13-3/4" (350mm)	5
G6136-16WHB	15-3/4" (400mm)	5
G6136-18WHB	17-3/8" (440mm)	5
G6136-19WHB	18-1/2" (470mm)	5
G6136-20WHB	20-1/16" (510mm)	5
G6136-22WHB	21-5/8" (550mm)	5



Slide Length	Bottom Panel Length		Extension	
	16mm (5/8") Back Panel	19mm (3/4") Back Panel	Single Stop	Double Stop
350 (13 3/4")	331 (13 1/16")	328 (12 15/16")	280 (11")	-
400 (15 3/4")	381 (15")	378 (14 7/8")	300 (11 13/16")	314 (12 3/8")
440 (17 3/8")	421 (16 9/16")	418 (16 7/16")	340 (13 3/8")	354 (13 15/16")
470 (18 1/2")	451 (17 3/4")	448 (17 5/8")	370 (14 9/16")	384 (15 1/8")
510 (20 1/16")	491 (19 5/16")	488 (19 3/16")	410 (16 1/8")	424 (16 11/16")
550 (21 5/8")	531 (20 7/8")	528 (20 13/16")	450 (17 11/16")	464 (18 1/4")

A
B
C
D
E
F
G
H
I
J
K
L
M
N
O
P
Q
R
S
T
U
V
W
X
Y

GRASS ZARGEN STEEL DRAWER SYSTEMS



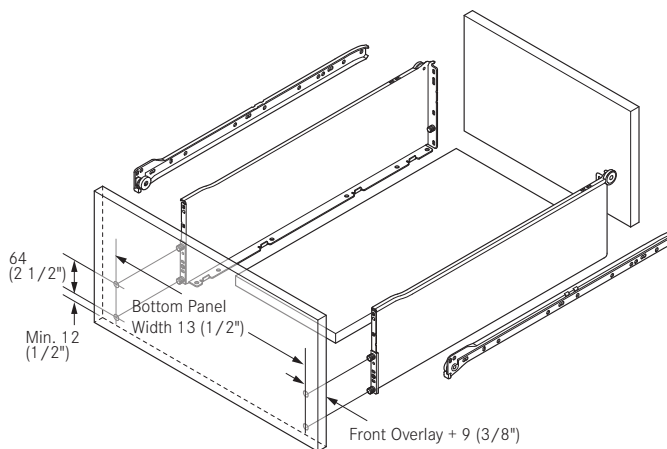
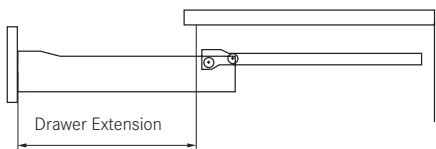
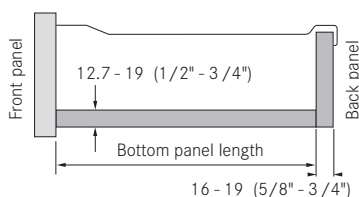
Zargen 6236 5-7/8" (149mm) Side Height



- Integrated drawer slide and drawer side
- Self-closing feature with 60mm (2-3/8") closing range
- Built-in drawer front bumpers
- Quick assembly through dowelled and integrated front fixing brackets
- White epoxy finish
- Tolerance adjustment 2mm (3/32")
- Load capacity: 100 lb
- Adjustments: Cam height (± 2 mm), side (± 1.5 mm)
- Made in the USA



Item #	Length	Box Qty
G6236-14WH	13-3/4" (350mm)	5
G6236-16WH	15-3/4" (400mm)	5
G6236-18WH	17-3/8" (440mm)	5
G6236-19WH	18-1/2" (470mm)	5
G6236-20WH	20-1/16" (510mm)	5
G6236-22WH	21-5/8" (550mm)	5



Slide Length	Bottom Panel Length		Extension	
	16mm (5/8") Back Panel	19mm (3/4") Back Panel	Single Stop	Double Stop
350 (13 3/4")	331 (13 1/16")	328 (12 15/16")	280 (11")	-
400 (15 3/4")	381 (15")	378 (14 7/8")	300 (11 13/16")	314 (12 3/8")
440 (17 3/8")	421 (16 9/16")	418 (16 7/16")	340 (13 3/8")	354 (13 15/16")
470 (18 1/2")	451 (17 3/4")	448 (17 5/8")	370 (14 9/16")	384 (15 1/8")
510 (20 1/16")	491 (19 5/16")	488 (19 3/16")	410 (16 1/8")	424 (16 11/16")
550 (21 5/8")	531 (20 7/8")	528 (20 13/16")	450 (17 11/16")	464 (18 1/4")

GRASS ZARGEN STEEL DRAWER SYSTEMS

A
B
C
D
E
F
G
H
I
J
K
L
M
N
O
P
Q
R
S
T
U
V
W
X
Y



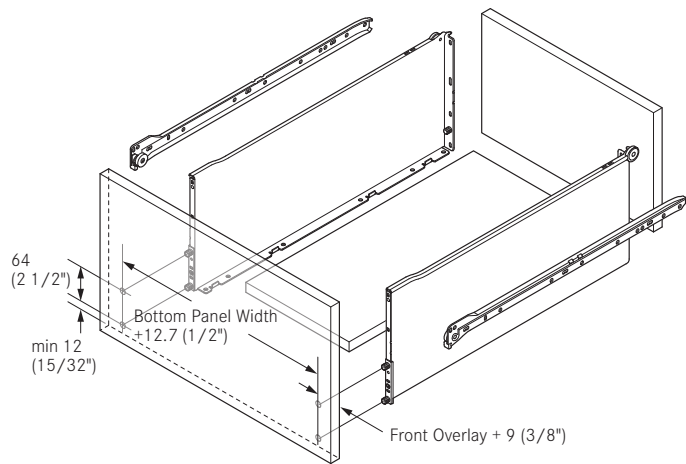
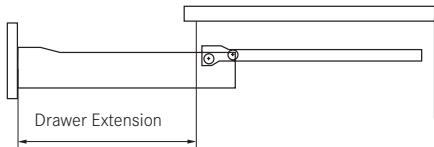
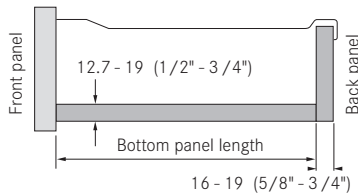
Zargen 6436 8-3/8" (213mm) Side Height



- Integrated drawer slide and drawer side
- Self-closing feature with 60mm (2-3/8") closing range
- Built-in drawer front bumpers
- Quick assembly through dowelled and integrated front fixing brackets
- White epoxy finish
- Tolerance adjustment 2mm (3/32")
- Load capacity: 100 lb
- Adjustments: Cam height (± 2mm), side (± 1.5mm)
- Made in the USA



Item #	Length	Box Qty
G6436-14WH	13-3/4" (350mm)	5
G6436-16WH	15-3/4" (400mm)	5
G6436-18WH	17-3/8" (440mm)	5
G6436-19WH	18-1/2" (470mm)	5
G6436-20WH	20-1/16" (510mm)	5
G6436-22WH	21-5/8" (550mm)	5



Slide Length	Bottom Panel Length		Extension	
	16mm (5/8") Back Panel	19mm (3/4") Back Panel	Single Stop	Double Stop
350 (13 3/4")	331 (13 1/16")	328 (12 15/16")	280 (11")	-
400 (15 3/4")	381 (15")	378 (14 7/8")	300 (11 13/16")	314 (12 3/8")
440 (17 3/8")	421 (16 9/16")	418 (16 7/16")	340 (13 3/8")	354 (13 15/16")
470 (18 1/2")	451 (17 3/4")	448 (17 5/8")	370 (14 9/16")	384 (15 1/8")
510 (20 1/16")	491 (19 5/16")	488 (19 3/16")	410 (16 1/8")	424 (16 11/16")
550 (21 5/8")	531 (20 7/8")	528 (20 13/16")	450 (17 11/16")	464 (18 1/4")

GRASS ZARGEN STEEL DRAWER SYSTEMS

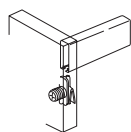


6100 Railing System

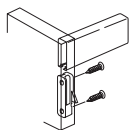
- Designed for use with Systems 6610, 6035, 6036, 6026, 6136, 6236, and 6436
- Easy to construct
- Allows end user to customize storage space
- Includes convenient rail dividers
- Available in white



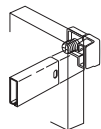
1 Front railing clip, Dowelled



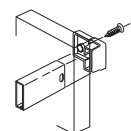
2 Front partition clip, Screw-on



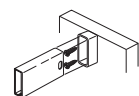
3 Back railing clip, Dowelled



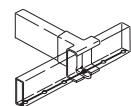
4 Back railing clip, Screw-on



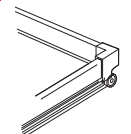
5 Back partition clip, Screw-on



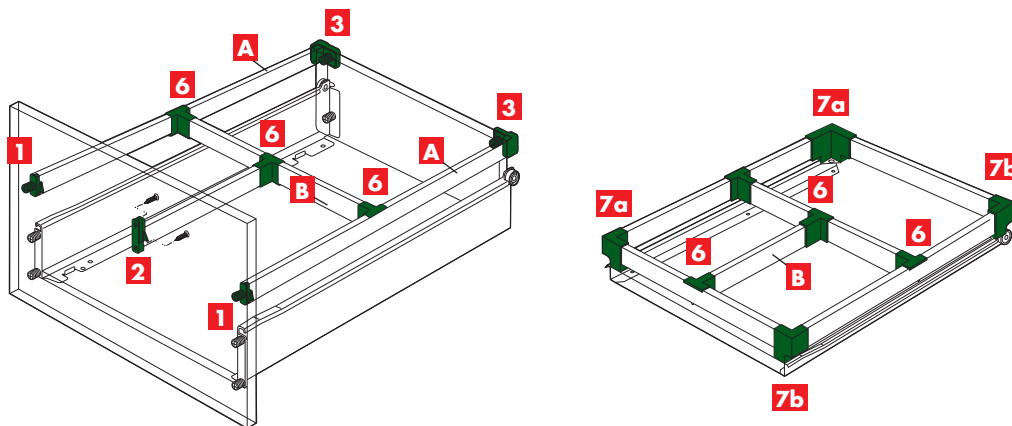
6 Divider railing clip



7 Corner Bracket

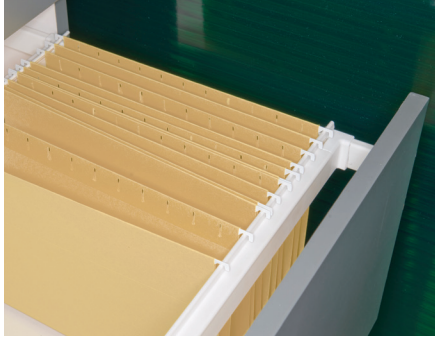


6100 Railing System			
	Item #	Length	Box Qty
A	G98128-05	13-3/4" (350mm)	20
	G6100-16WH	15-3/4" (400mm)	20
	G6100-20WH	20-1/16" (510mm)	20
	G6100-22WH	21-5/8" (550mm)	20
B	G6100-40WH	39-3/8" (1000mm) Divider Railing Cut to Size	20



6100 Railing System Accessories			
	Item #	Description	Box Qty
1	G6150-01WHD	Front Railing Clip, Dowelled	20
2	G6150-HFWH	Front Partition Clip, 4.2mm Screw-on	20
3	G6150-02WHD	Back Railing Clip, Dowelled	100
4	G6150-03WH	Back Railing Clip, 4.2mm Screw-On	20
5	G6150-20WH	Back Partition Clip, 4.2mm Screw-on	20
6	G6180WH	Divider Railing Clip	20
7a	G96771	Corner Bracket, LH	20
7b	G96772	Corner Bracket, RH	20

GRASS ZARGEN STEEL DRAWER SYSTEMS



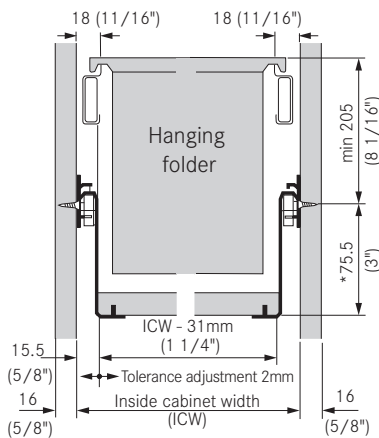
Pendaflex 6110 File Railing



- The Pendaflex Rail 6110 provides a lip for drop in file folders
- Cut to a desired length and attached over the 6100 side railing
- Use in conjunction with Zargen
- Easy to construct
- White plastic

Rile Rail 6110			
Item #	Description	Box Qty	
1	G6110-04WH	43-5/16" (1100mm) Pendaflex Rail 6110	20
2	G6150-01WHD	Front Railing Clip, Dowelled, White	100
3	G6150-02WHD	Back Railing Clip, Dowelled, White	100

Drawer Measurements



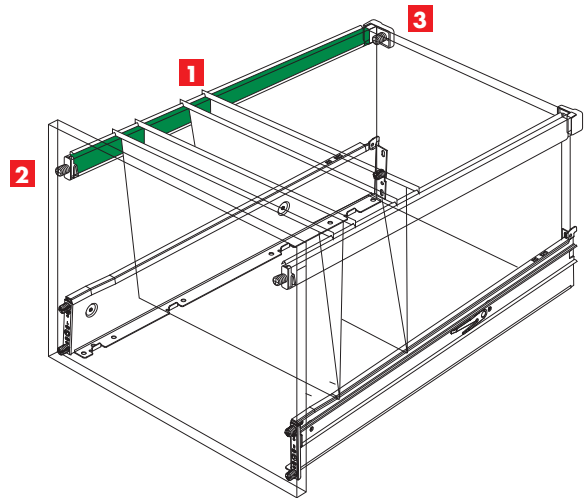
Legal Size Paper:

IWC = 418mm (16 7/16")

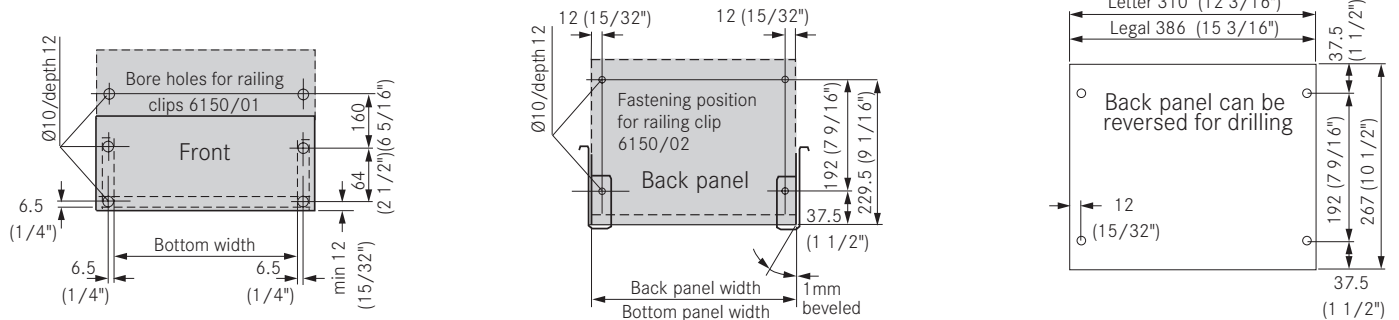
Letter size Paper:

IWC = 342mm (13 7/16")

Note: ICW = Inside Cabinet



Drilling Patterns for Pendaflex File Drawers



A
B
C
D
E
F
G
H
I
J
K
L
M
N
O
P
Q
R
S
T
U
V
W
X
Y

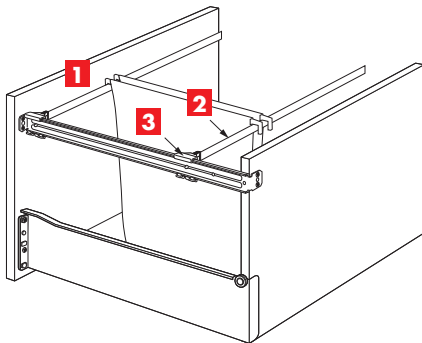
A
B
C
D
E
F
G
H
I
J
K
L
M
N
O
P
Q
R
S
T
U
V
W
X
Y

GRASS ZARGEN STEEL DRAWER SYSTEMS

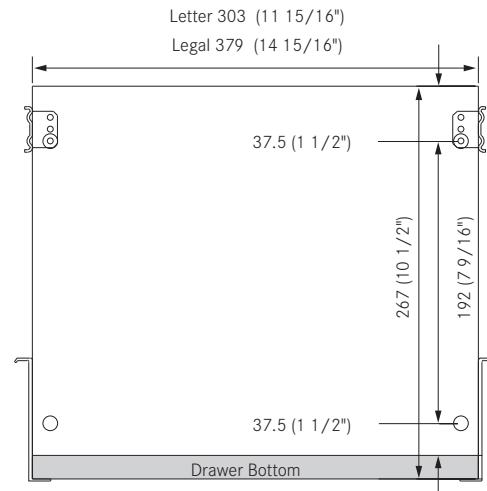
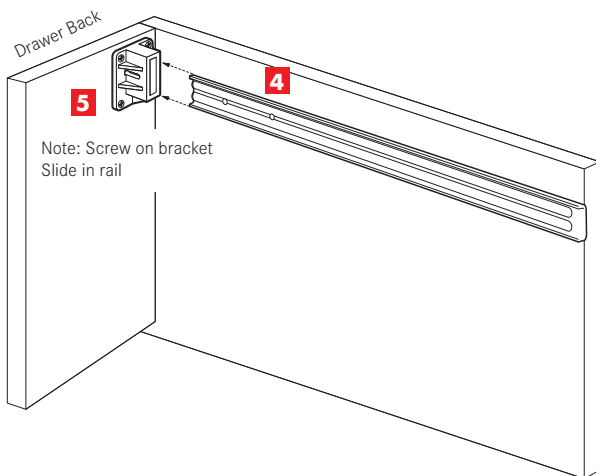


Pendaflex File Railing

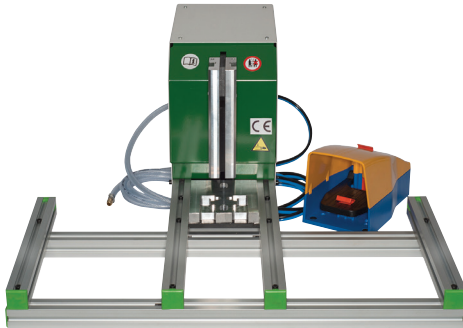
- Designed for use with metal drawer system or wood drawer application
- File bar accommodates lateral file application
- Easy to construct
- Available in white finish
- Full boxes of 20



File Railing			
	Item #	Description	Use with Slide Length
1	G01692	US/468.5 Side Rail	18-1/2" (470mm)
	G01690	US/508.5 Side Rail	20-1/16" (510mm)
	G01686	US/548.5 Side Rail	21-5/8" (550mm)
2	G30890	28" (711mm) File Bar	—
3	G30954	Lateral File Clip	—
4	G01693	US/442.5 Partition Rail	18-1/2" (470mm)
	G01691	US/482.5 Partition Rail	20-1/16" (510mm)
	G01687	US/522.5 Partition Rail	21-5/8" (550mm)
5	G30956	Partition Bracket	—



GRASS ZARGEN ACCESSORIES



ZRAM

- Designed for manual assembly of Zargen slides
- Operated by foot pedal - air required
- No adjustment required when using various drawer lengths
- Economical solution for drawer assembly

Item #
G93250



Zargen Rear Mounting Sockets

- Drawer slide can slide in or out to achieve different cabinet depth
- Extra long length
- Socket can be stapled or screwed
- Full boxes of 500

Item #	Description
G13946	Rear Mounting Socket, Left
G13947	Rear Mounting Socket, Right

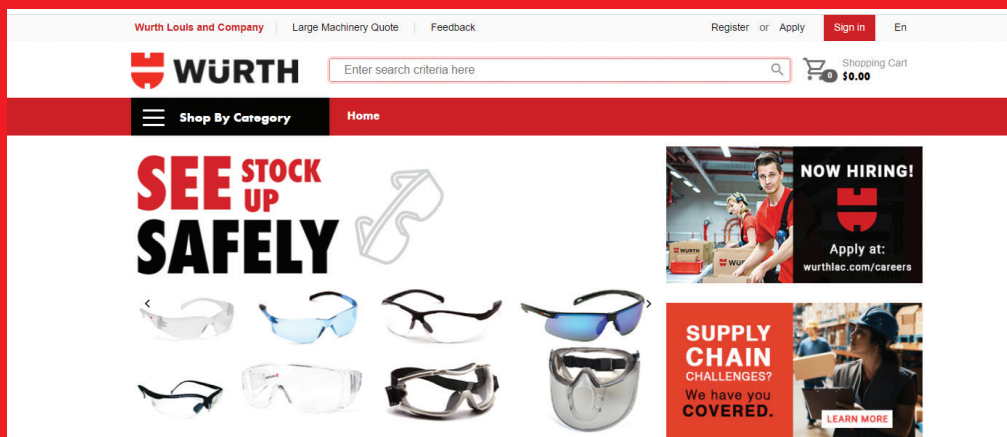


6195 Spacers for Cabinet Members

- Designed for doors protruding into the cabinet and for inset drawers
- White finish
- Full boxes of 20

Item #	Description
G13097	6195 Spacer/Pin, 1" (25mm), Screw-on with Pin

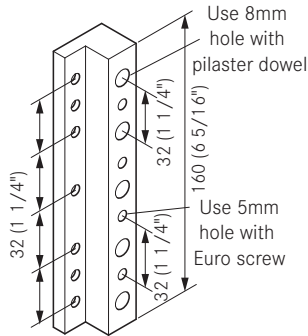
Visit us on our website: wurthlac.com



A
B
C
D
E
F
G
H
I
J
K
L
M
N
O
P
Q
R
S
T
U
V
W
X
Y

A GRASS ZARGEN ACCESSORIES

B
C
D
E
F
G
H
I
J
K
L
M
N
O
P
Q
R
S
T
U
V
W
X
Y



Pilaster Mounting Bracket



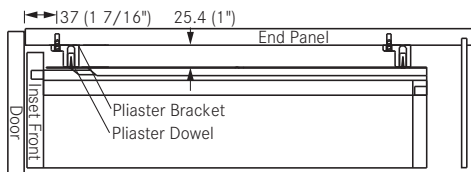
- Fits over 32mm line boring patterns
- Attaches to cabinet with Euro or wood screws
- Allows use of pilaster dowel on cabinet member for an adjustable roll out shelf
- Allows roll out shelves to be adjustable in 32mm increments
- Full boxes of 200

Item #
G30912



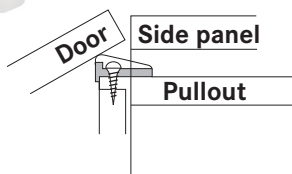
Pilaster Dowels

- Allows for construction of adjustable pull-outs with any Zargen slides when attached to cabinet member
- Dowel requires an 8mm x 5/8" deep hole
- Attaches with a #6 x 5/8" or #6 x 1/2" screw
- Full boxes of 500



Example shown using 6036 slide with 19mm (3/4") front material

Item #
G00395



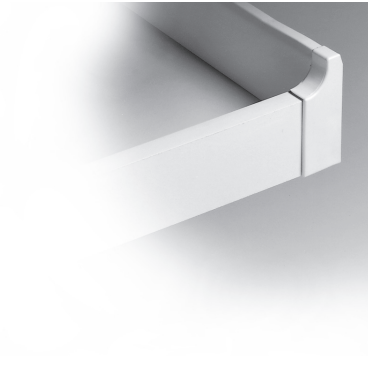
Door/Drawer Protector

- Attaches to side of wooden pull-out.
- Designed for inset pull-out trays for frame or frameless cabinetry
- White finish
- Full boxes of 500

Item #
G13096

GRASS ZARGEN ACCESSORIES

A
B
C
D
E
F
G
H
I
J
K
L
M
N
O
P
Q
R
S
T
U
V
W
X
Y



Roll-Out Tray Bracket

- Allows 6036/6026 slides to be used as roll out trays
- Tray front is 2-5/16" (59mm)
- Bracket mounts to front of slide
- Color: white

Polybag consists of: 2 - Brackets, LH and RH; 2 - Clamps; 4 - #4 X 3/8", NI screws

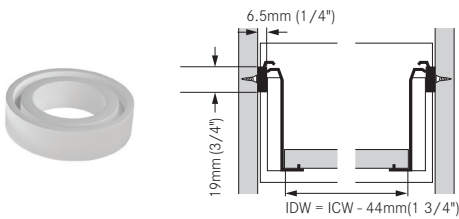
Item #
G30570



6036 Support Bracket

- Attaches to the center of wide drawers for support
- Elongated holes for drawer front adjustments
- Full boxes of 100

Item #
G22226-42



6036 Spacer for Inset Drawers

Item #
G00035



Euro Screws, Nickel-Plated

- Sold in full boxes of 500 only

Item #	Description
G499.360.61.1015	11mm Euro Screw (7/16") Pozzi



Wood Screws, Nickel-Plated

- Sold in full boxes of 500 only

Item #	Description
G6X58FHNI	#6 x 5/8" Phillips Head
G6X34FHNI	#6 x 3/4" Phillips Head

A
B
C
D
E
F
G
H
I
J
K
L
M
N
O
P
Q
R
S
T
U
V
W
X
Y

GRASS ZBOX METAL DRAWER SYSTEMS



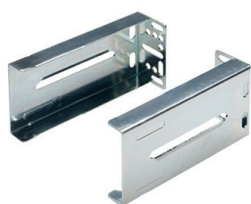
Grass ZBox Metal Drawer System



- Integrated side mount ball bearing drawer slide and metal drawer side
- Ball bearing telescopic full extension
- Hold-in detent ensures drawers stay closed
- Easy lever disconnect for removal of drawer box from cabinet member
- Frameless or face frame application
- Front slotted hole for face frame mounting
- Face frame rear mounting bracket available
- Meets and exceeds ANSI/BHMA 156.9 Grade 1 testing requirements
- Drawer side - white epoxy finish; Drawer slide - Zinc coated steel
- Load capacity: 100 lbs.
- Adjustments: Cam Height $\pm 2\text{mm}$, Side $\pm 1.5\text{mm}$
- Zargen is made in the USA, ZBox is assembled in the USA

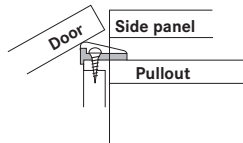


Item #	Length	Height	Box Qty
Zbox 6023 - 3-3/8" (85mm) Side Height			
GZBOX6023-14WH	13-3/4" (350mm)	3-3/8" (85mm)	5
GZBOX6023-16WH	15-3/4" (400mm)	3-3/8" (85mm)	5
GZBOX6023-18WH	18-1/2" (470mm)	3-3/8" (85mm)	5
GZBOX6023-20WH	20-1/16" (510mm)	3-3/8" (85mm)	5
GZBOX6023-22WH	21-5/8" (550mm)	3-3/8" (85mm)	5
Zbox 6223 - 5-7/8" (149mm) Side Height			
GZBOX6223-14WH	13-3/4" (350mm)	5-7/8" (149mm)	5
GZBOX6223-16WH	15-3/4" (400mm)	5-7/8" (149mm)	5
GZBOX6223-18WH	18-1/2" (470mm)	5-7/8" (149mm)	5
GZBOX6223-20WH	20-1/16" (510mm)	5-7/8" (149mm)	5
GZBOX6223-22WH	21-5/8" (550mm)	5-7/8" (149mm)	5
Zbox 6423 - 8-3/8" (213mm) Side Height			
GZBOX6423-14WH	13-3/4" (350mm)	8-3/8" (213mm)	5
GZBOX6423-16WH	15-3/4" (400mm)	8-3/8" (213mm)	5
GZBOX6423-18WH	18-1/2" (470mm)	8-3/8" (213mm)	5
GZBOX6423-20WH	20-1/16" (510mm)	8-3/8" (213mm)	5
GZBOX6423-22WH	21-5/8" (550mm)	8-3/8" (213mm)	5



Zbox Rear Mounting Bracket		
Item #	Description	Box Qty
G30102-15	Face frame rear mounting bracket	300

GRASS ZBOX METAL DRAWER SYSTEM ACCESSORIES



Door/Drawer Protector

- Attaches to side of wooden pull-out
- Designed for inset pull-out trays for frame or frameless cabinetry



Item #
G13096

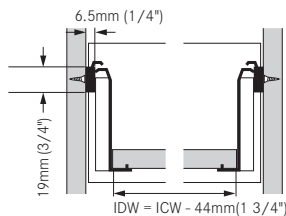


6036 Support Bracket

- Attaches to the center of wide drawers for support
- Elongated holes for drawer front adjustments
- Full boxes of 100

Available any quantity.

Item #
G22226-42



6036 Spacer for Inset Drawers

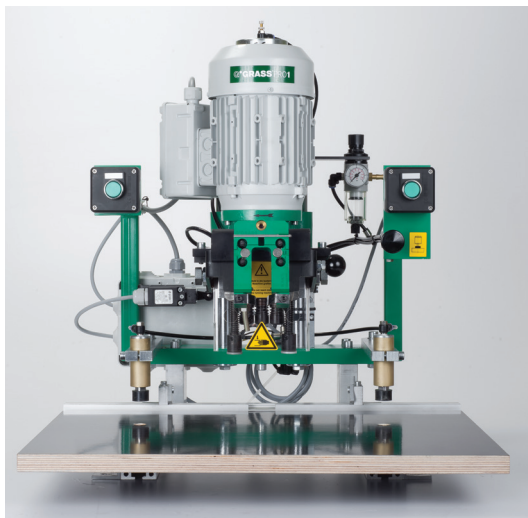
Item #
G00035

Visit us on our website: wurthlac.com

A
B
C
D
E
F
G
H
I
J
K
L
M
N
O
P
Q
R
S
T
U
V
W
X
Y

A GRASS ZBOX MACHINERY

A
B
C
D
E
F
G
H
I
J
K
L
M
N
O
P
Q
R
S
T
U
V
W
X
Y

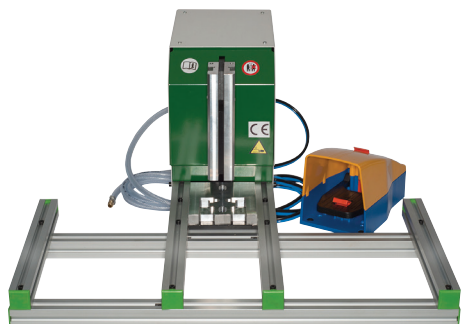


Grass PRO1



- Depth stop can be adjusted to material thickness
- Functional design with fast and efficient operation
- 3 spindle gear box
- 45mm pattern

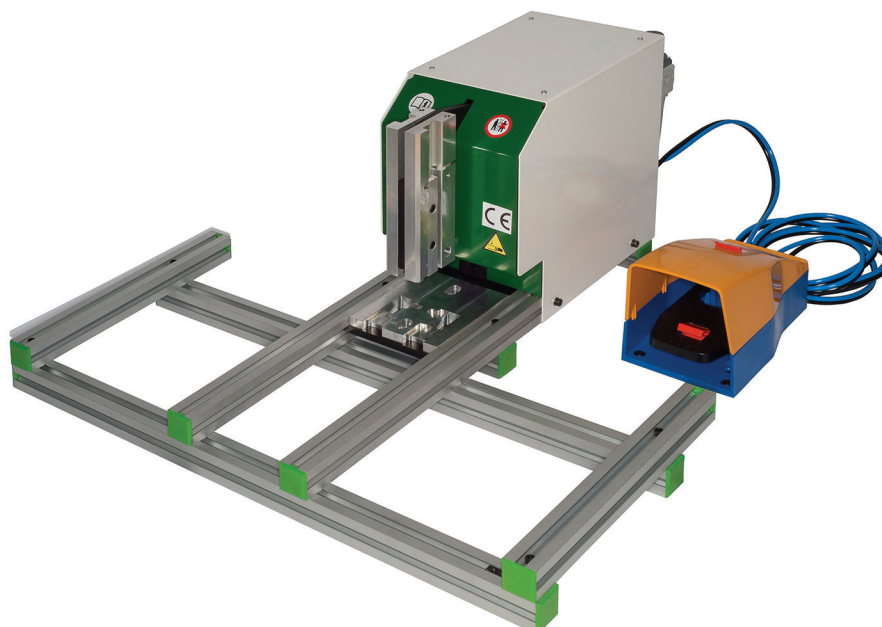
Item #	Description
G94559-01	220v Single Phase Pneumatic Machine
G94560-01	220V Three Phase Pneumatic Machine
G94561-01	110V Single Phase Pneumatic Machine



ZRAM

- Designed for manual assembly of dowelled ZBOX 6023, 6223, and 6423
- Operated by a foot pedal - air required
- No adjustment required when using various drawer heights
- Economical solution for drawer assembly

Item #
G93250



AVANTECH YOU DOUBLE WALL DRAWER BOX SYSTEMS

A
B
C
D
E
F
G
H
I
J
K
L
M
N
O
P
Q
R
S
T
U
V
W
X
Y



AvanTech YOU Double Wall Drawer Sides - Complete Sets

- Prepacked in sets
- Integrated vertical, lateral, depth, and tilt adjustment
- Powder coated steel
- Anthracite finish

Item #	Height	Length
HET9296750	101mm (3.98")	350mm (13.78")
HET9296751	187mm (7.36")	350mm (13.78")
HET9296752	101mm (3.98")	450mm (17.72")
HET9296753	101mm (3.98")	500mm (19.69")
HET9296754	187mm (7.36")	500mm (19.69")
HET9296755	251mm (9.88")	500mm (19.69")
HET9296756	101mm (3.98")	550mm (21.65")
HET9296757	187mm (7.36")	550mm (21.65")
HET9296758	251mm (9.88")	550mm (21.65")

Each Kit Contains:

- (1) Drawer side profile left
- (1) Drawer side profile right
- (2) Designer profiles
- (2) Drawer front connectors
- (1) Rear panel stabilizer

AvanTech YOU Double Wall Drawer Sides - Individual

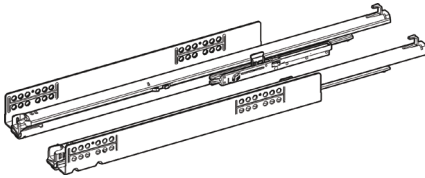
- Integrated vertical, lateral, depth, and tilt adjustment
- Powder coated steel
- Anthracite finish

NOTE: Cabinet members, front connectors, designer profiles and accessories can be found on page G-92

Item #	Height	Length	Description	Box Qty
HET925517200	101mm (3.98")	350mm (13.78")	Left Hand Drawer Side - Anthracite	20
HET925517300	101mm (3.98")	350mm (13.78")	Right Hand Drawer Side - Anthracite	20
HET925522600	251mm (9.88")	350mm (13.78")	Left Hand Drawer Side - Anthracite	10
HET925522700	251mm (9.88")	350mm (13.78")	Right Hand Drawer Side - Anthracite	10
HET925523000	251mm (9.88")	450mm (17.72")	Left Hand Drawer Side - Anthracite	10
HET925523100	251mm (9.88")	450mm (17.72")	Right Hand Drawer Side - Anthracite	10

A
B
C
D
E
F
G
H
I
J
K
L
M
N
O
P
Q
R
S
T
U
V
W
X
Y

AVANTECH YOU DOUBLE WALL DRAWER BOX SYSTEMS

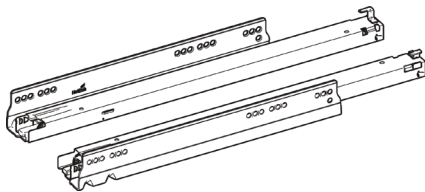


Quadro YOU Drawer Runners with Silent System



- Full extension runner for combining AvanTech YOU system drawer or wooden drawer with catches
- Integrated silent system
- Optionally upgradable with Push-to-Open Silent
- Load capacity 90 lbs dynamic
- Load capacity to EN 15338, Level 3
- Galvanized steel

Item #	Description	Box Qty
HET9256854	270mm (10.63") Left Hand Drawer Slide	20
HET9256855	270mm (10.63") Right Hand Drawer Slide	20
HET9256860	350mm (13.78") Left Hand Drawer Slide	20
HET9256861	350mm (13.78") Right Hand Drawer Slide	20
HET9256864	400mm (15.75") Left Hand Drawer Slide	20
HET9256865	400mm (15.75") Right Hand Drawer Slide	20
HET9256868	450mm (17.72") Left Hand Drawer Slide	20
HET9256869	450mm (17.72") Right Hand Drawer Slide	20
HET9256872	500mm (19.69") Left Hand Drawer Slide	20
HET9256873	500mm (19.69") Right Hand Drawer Slide	20
HET9256876	550mm (21.65") Left Hand Drawer Slide	20
HET9256877	550mm (21.65") Right Hand Drawer Slide	20



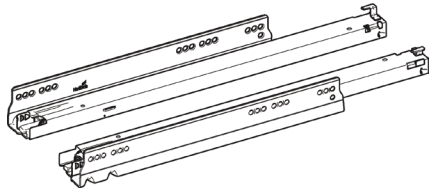
Actro YOU Drawer Runners with Silent System

- Full extension runner for combining AvanTech YOU system drawer or wooden drawer with catches
- Integrated silent system
- Optionally upgradable with Push-to-Open Silent
- Load capacity 88/154 lbs
- Load capacity to EN 15338, Level 3
- Galvanized steel

Item #	Description	Box Qty
HET9256974	270mm (10.63") Left Hand Drawer Slide	10
HET9256975	270mm (10.63") Right Hand Drawer Slide	10
HET9256980	350mm (13.78") Left Hand Drawer Slide	10
HET9256981	350mm (13.78") Right Hand Drawer Slide	10
HET9256984	400mm (15.75") Left Hand Drawer Slide	10
HET9256985	400mm (15.75") Right Hand Drawer Slide	10
HET9256988	450mm (17.72") Left Hand Drawer Slide	10
HET9256989	450mm (17.72") Right Hand Drawer Slide	10
HET9256992	500mm (19.69") Left Hand Drawer Slide	10
HET9256993	500mm (19.69") Right Hand Drawer Slide	10
HET9256996	550mm (21.65") Left Hand Drawer Slide	10
HET9256997	550mm (21.65") Right Hand Drawer Slide	10

Item #	Description	Box Qty
HET9257013	450mm (17.72") Left Hand Drawer Slide	10
HET9257014	450mm (17.72") Right Hand Drawer Slide	10
HET9257017	500mm (19.69") Left Hand Drawer Slide	10
HET9257018	500mm (19.69") Right Hand Drawer Slide	10
HET9257021	550mm (21.65") Left Hand Drawer Slide	10
HET9257022	550mm (21.65") Right Hand Drawer Slide	10
HET9257027	650mm (25.59") Left Hand Drawer Slide	5
HET9257028	650mm (25.59") Right Hand Drawer Slide	5

AVANTECH YOU DOUBLE WALL DRAWER BOX SYSTEMS



- Integrated Silent System closes the drawer quietly and gently
- Catch for convenient slide on installation must be ordered separately
- Vertical adjustment up to +3mm
- Lateral adjustment up to +/- 1.5mm
- Radial adjustment up to +/- 1.5mm
- Tilt adjustment +4mm
- Optional depth adjustment up to +/- 2mm
- Optional Push-to-Open Silent opening system
- Load capacity to EN 15338, Level 3
- Galvanized steel, suitable for rooms exposed to moisture

Actro 5D Full Extension Runners with Silent System



88 lb Drawer Slides		
Item #	Description	Box Qty
HET9257069-380LH	380mm (14.96") Left Hand Drawer Slide	10
HET9257070-380RH	380mm (14.96") Right Hand Drawer Slide	10
HET9257075-450LH	450mm (17.72") Left Hand Drawer Slide	10
HET9257076-450RH	450mm (17.72") Right Hand Drawer Slide	10
HET9257079-500LH	500mm (19.69") Left Hand Drawer Slide	10
HET9257080-500RH	500mm (19.69") Right Hand Drawer Slide	10
HET9257083-550LH	550mm (21.65") Left Hand Drawer Slide	10
HET9257084-550RH	550mm (21.65") Right Hand Drawer Slide	10
HET9268682-600LH	600mm (23.62") Left Hand Drawer Slide	10
HET9268683-600RH	600mm (23.62") Right Hand Drawer Slide	10

154 lb Drawer Slides		
Item #	Description	Box Qty
HET9257106-520LH	520mm (20.47") Left Hand Drawer Slide	10
HET9257107-520RH	520mm (20.47") Right Hand Drawer Slide	10
HET9257108-550LH	550mm (21.65") Left Hand Drawer Slide	10
HET9257109-550RH	550mm (21.65") Right Hand Drawer Slide	10
HET9257112-600LH	600mm (23.62") Left Hand Drawer Slide	10
HET9257113-600RH	600mm (23.62") Right Hand Drawer Slide	10
HET9257114-650LH	650mm (25.59") Left Hand Drawer Slide	5
HET9257115-650RH	650mm (25.59") Right Hand Drawer Slide	5
HET9257116-700LH	700mm (27.56") Left Hand Drawer Slide	5
HET9257117-700RH	700mm (27.56") Right Hand Drawer Slide	5
HET9257118-750LH	750mm (29.53") Left Hand Drawer Slide	5
HET9257119-750RH	750mm (29.53") Right Hand Drawer Slide	5



ACTRO 5D Left/Right Front Locking Devices

- Tool-less, intuitive side adjustment up to +/- 1.5mm
- Height adjustment up to +3mm
- Constructed of die-cast zinc and plastic
- Anthracite finish

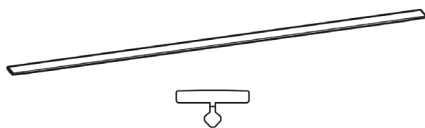


Item #	Box Qty
HET9257268	5 Pair

A
B
C
D
E
F
G
H
I
J
K
L
M
N
O
P
Q
R
S
T
U
V
W
X
Y

A
B
C
D
E
F
G
H
I
J
K
L
M
N
O
P
Q
R
S
T
U
V
W
X
Y

AVANTECH YOU DRAWER SYSTEM ACCESSORIES

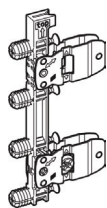


Drawer Side Profiles

- For clipping on AvanTech YOU drawer sides
- Plastic, solid colored
- Anthracite finish



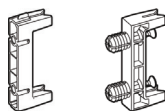
Item #	Description	Box Qty
HET9255824	350mm (13.78") Design Profile	1/200 EA
HET925582600	450mm (17.72") Design Profile	1/200 EA



Drawer Front Connector for Drawer Side Profile - Height 187mm/251mm

- Dowelled
- Made of steel

Item #	Box Qty
HET925583901	1/200 EA



Drawer Front Connector Side Profile - Stabilizer - Height 251mm

- Dowelled
- Plastic, anthracite

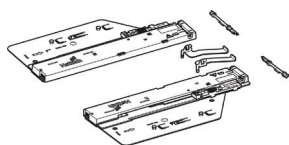
Item #	Box Qty
HET925788800	1/50 EA



Rear Panel Stabilizer

- For wooden and aluminum rear panels
- 1 each for cabinet body width < 600mm
- 2 each >= 600mm
- 3 each >= 800mm
- 5 each = 1200mm
- Made of plastic

Item #	Box Qty
HET9257702	1/200 EA



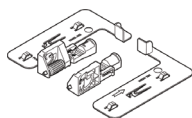
Push-to-Open Silent Opening System for Actro YOU

- Can be used with AvanTech YOU system drawer on Actro YOU drawer runner with Silent System

Set Includes:

- (1) Push-to-Open Silent unit, left and right
- (1) Activator, left and right
- (2) Adapters for Synchronization

Item #	Load Class	Length	Box Qty
HET9257892	88 lbs	270mm (10.63") - 650mm (25.59")	1 Set
HET9257893	154 lbs	400mm (15.75") - 650mm (25.59")	1 Set



Depth Adjustment

- Tool-less installation and adjustment up to +4mm
- For optional use with inset front panels
- Plastic, grey

Set Includes:

- (2) Depth adjusters
- (2) Activators

Item #	Box Qty
HET9257706	1 Set