

SECTION H - TABLE OF CONTENTS

Section H Contents:

Standoffs.....2-4
 Grommets 5-14
 Wire Management..... 15
 Keyboard Trays 16



A
B
C
D
E
F
G
H
I
J
K
L
M
N
O
P
Q
R
S
T
U
V
W
X
Y



A STANDOFFS



**Aluminum 4 Piece Standoff Kits
Aluminum Finish**



- Complete standoff kit with everything you need to install a sign or display
- Material: 6061 aluminum
- Finish: clear anodized aluminum
- Includes installation instructions

Item #	Kit Includes						Designed for Material Thickness
	(4) Barrels	(4) Caps	(4) Studs for Material Thickness	(4) Studs for Material Thickness	(4) Screws	(4) Multi-Purpose Anchors	
PROG4007	3/8"Dia. x 1/2"L	3/8"Dia.	For 1/8" Thick	For 1/2" Thick	Wood Hanger	Nylon	1/8" or 1/2"
PROG4009	5/8"Dia. x 1/2"L	5/8"Dia.	For 1/4"-3/8" Thick	-	Combo	Nylon	1/4" - 3/8"
PROG4012	5/8"Dia. x 3/4"L	5/8"Dia.	For Up to 1/2" Thick	-	Combo	Nylon	Up to 1/2"
PROG4014	5/8"Dia. x 1"L	5/8"Dia.	For Up to 1/2" Thick	-	Combo	Nylon	Up to 1/2"
PROG4016	3/4"Dia. x 3/4"L	3/4"Dia.	For Up to 1/2" Thick	-	Combo	Nylon	Up to 1/2"
PROG4017	3/4"Dia. x 1"L	3/4"Dia.	For Up to 1/2" Thick	-	Combo	Nylon	Up to 1/2"
PROG4018	3/4"Dia. x 1-1/4"L	3/4"Dia.	For Up to 1/2" Thick	-	Combo	Nylon	Up to 1/2"
PROG4004	1"Dia. x 1/2"L	1"Dia.	For Up to 3/8" Thick	-	Combo	Nylon	Up to 3/8"
PROG4001	1"Dia. x 1"L	1"Dia.	For Up to 1/2" Thick	-	Combo	Nylon	Up to 1/2"
PROG4019	1"Dia. x 1-1/2"L	1"Dia.	For Up to 1/2" Thick	-	Combo	Nylon	Up to 1/2"
PROG4021	1"Dia. x 2"L	1"Dia.	For Up to 3/4" Thick	-	Combo	Nylon	Up to 3/4"
PROG4022	1-1/4"Dia. x 1"L	1-1/4"Dia.	For Up to 1/2" Thick	-	Combo	Nylon	Up to 1/2"
PROG4023	1-1/4"Dia. x 2"L	1-1/4"Dia.	For Up to 3/4" Thick	-	Combo	Nylon	Up to 3/4"
PROG4024	1-1/2"Dia. x 1"L	1-1/2"Dia.	For Up to 1/2" Thick	-	Combo	Nylon	Up to 1/2"
PROG4025	1-1/2"Dia. x 2"L	1-1/2"Dia.	For Up to 3/4" Thick	-	Combo	Nylon	Up to 3/4"

**For Workstation Brackets,
see Section I & Section N**

STANDOFFS



**Aluminum 4 Piece Standoff Kits
Black Finish**



- Complete standoff kit with everything you need to install a sign or display
- Material: 6061 aluminum
- Finish: black anodized
- Includes installation instructions

Kit Includes							
Item #	(4) Barrels	(4) Caps	(4) Studs for Material Thickness	(4) Studs for Material Thickness	(4) Screws	(4) Multi-Purpose Anchors	Designed for Material Thickness
PROG4008	3/8"Dia. x 1/2"L	3/8"Dia.	For 1/8" Thick	For 1/2" Thick	Wood Hanger	Nylon	1/8" or 1/2"
PROG4010	5/8"Dia. x 1/2"L	5/8"Dia.	For 1/4"-3/8" Thick	-	Combo	Nylon	1/4" - 3/8"
PROG4013	5/8"Dia. x 3/4"L	5/8"Dia.	For Up to 1/2" Thick	-	Combo	Nylon	Up to 1/2"
PROG4015	5/8"Dia. x 1"L	5/8"Dia.	For Up to 1/2" Thick	-	Combo	Nylon	Up to 1/2"
PROG4005	1"Dia. x 1/2"L	1"Dia.	For Up to 3/8" Thick	-	Combo	Nylon	Up to 3/8"
PROG4002	1"Dia. x 1"L	1"Dia.	For Up to 1/2" Thick	-	Combo	Nylon	Up to 1/2"
PROG4020	1"Dia. x 1-1/2"L	1"Dia.	For Up to 1/2" Thick	-	Combo	Nylon	Up to 1/2"



**Aluminum 4 Piece Standoff Kits
Brass Finish**



- Complete standoff kit with everything you need to install a sign or display
- Material: 6061 aluminum
- Finish: brass anodized
- Includes installation instructions

Kit Includes						
Item #	(4) Barrels	(4) Caps	(4) Studs for Material Thickness	(4) Screws	(4) Multi-Purpose Anchors	Designed for Material Thickness
PROG4011	5/8"Dia. x 1/2"L	5/8"Dia.	For 1/4"-3/8" Thick	Combo	Nylon	1/4" - 3/8"
PROG4006	1"Dia. x 1/2"L	1"Dia.	For Up to 3/8" Thick	Combo	Nylon	Up to 3/8"
PROG4003	1"Dia. x 1"L	1"Dia.	For Up to 1/2" Thick	Combo	Nylon	Up to 1/2"

A
B
C
D
E
F
G
H
I
J
K
L
M
N
O
P
Q
R
S
T
U
V
W
X
Y

A STANDOFFS / EDGE GRIPS / PANEL FLUSH MOUNTS

B
C
D
E
F
G
H
I
J
K
L
M
N
O
P
Q
R
S
T
U
V
W
X
Y



Stainless Steel 4 Piece Standoff Kits
Stainless Steel Finish



- Complete standoff kit with everything you need to install a sign or display
- Material: 316 stainless steel
- Finish: machined stainless steel
- Includes installation instructions

Kit Includes							Designed for Material Thickness
Item #	(4) Barrels	(4) Caps	(4) Studs for Material Thickness	(4) Studs for Material Thickness	(4) Screws	(4) Multi-Purpose Anchors	
PROG4026	1/2"Dia. x 1/2"L	1/2"Dia.	For 1/8" Thick	For 1/4" Thick	Wood Hanger	Nylon	1/8" or 1/4"
PROG4027	1"Dia. x 1"L	1"Dia.	For Up to 1/2" Thick	-	Combo	Nylon	Up to 1/2"



Aluminum 4 Piece Edge Grip Kits
Aluminum Finish



- Edge grips are a great solution for installing your photos, artwork or glass without having to drill into the material
- Weight capacity: 20 lbs.
- Material: 6061 aluminum
- Finish: clear anodized aluminum
- Includes installation instructions

Kit Includes					Designed for Material Thickness
Item #	Size	(4) Edge Grips	(4) Phillip Head Screws	(4) Multi-Purpose Anchors	
PROG4028	3/4"Dia. x 1"L	3/4"Dia.	1-1/4" Length	Nylon	Up To 1/4"
PROG4029	1"Dia. x 1-1/4"L	1"Dia.	1-1/4" Length	Nylon	1/8" Up To 1/2"
PROG4030	1-1/4"Dia. x 1-1/2"L	1-1/4"Dia.	1-1/4" Length	Nylon	1/8" Up To 3/4"



Aluminum 4 Piece Panel Flush Mount Kits
Aluminum Finish



- Flush mount kits are a great solution for mounting a sign, artwork or mirror flush against a wall, without having to drill into the panel
- Brushed aluminum discs attach with VHB to deter tampering
- Material: 6061 aluminum
- Finish: clear anodized aluminum
- Includes installation instructions

Kit Includes					
Item #	(4) Panel Clips	(4) Finishing Discs	(4) Installation Screws	(8) Vinyl Shims	(4) Multi-Purpose Anchors
PROG4031	1"Dia.	Alum.	#8 x 1-1/2"L	1/16"	Nylon
PROG4032	1-1/4"Dia.	Alum.	#8 x 1-1/2"L	1/16"	Nylon

PLASTIC GROMMETS



One Piece Plastic, 1" Bore Hole

- Cap has pivot hinge hole for wire
- One piece design with integral cap and liner



Item #	Bore Hole Dia.	Liner Depth	Overall Dia.	Color
HC6330014-BK	1"	1/4"	1-1/4"	Black

Two Piece Plastic, 3/4" To 3" Bore Hole

- Cap has pivot hinge hole for wire
- Cap and liner sold together



Item #	Color	Bore Hole Dia.	Hole Liner Depth	Overall Dia.
HC6605014-BK	Black	3/4"	5/8"	1"
HC6610010-WH	White	1"	5/8"	1-1/4"
HC6610014-BK	Black	1"	5/8"	1-1/4"
HC6615014-BK	Black	1-1/4"	5/8"	1-1/2"
HC6615010-WH	White	1-1/4"	5/8"	1-1/2"
HC6620010-WH	White	1-1/2"	5/8"	1-3/4"
HC6620014-BK	Black	1-1/2"	5/8"	1-3/4"
HC6626010-WH	White	1-3/4"	1"	2"
HC6626014-BK	Black	1-3/4"	1"	2"
HC6630010-WH	White	2"	5/8"	2-1/4"
HC6630014-BK	Black	2"	5/8"	2-1/4"
HC6630021-GR	Gray	2"	5/8"	2-1/4"
HC6630029-AL	Almond	2"	5/8"	2-1/4"
HC6630058-BR	Brown	2"	5/8"	2-1/4"
HC6637010-WH	White	2-3/8"	5/8"	2-5/8"
HC6637014-BK	Black	2-3/8"	5/8"	2-5/8"
HC6640010-WH	White	2-1/2"	5/8"	2-3/4"
HC6640014-BK	Black	2-1/2"	5/8"	2-3/4"
HC6640021-GR	Gray	2-1/2"	5/8"	2-3/4"
HC6640029-AL	Almond	2-1/2"	5/8"	2-3/4"
HC6640058-BR	Brown	2-1/2"	5/8"	2-3/4"
HC6650010-WH	White	3"	5/8"	3-1/4"
HC6650014-BK	Black	3"	5/8"	3-1/4"
HC6650021-GR	Gray	3"	5/8"	3-1/4"
HC6660014-BK	Black	3-1/2"	5/8"	3-3/4"



Two Piece Plastic, 1-3/4" Bore Hole

- 2" Overall diameter
- Overlapping trim edge with smooth finish
- Liner depth is 3/4"
- Cap has built-in permanent wire hole



Color	Hole Liner Item #	Hole Liner & Cap Item #
White	HC6320010-WH	HC6325010-WH
Black	HC6320014-BK	HC6325014-BK

A
B
C
D
E
F
G
H
I
J
K
L
M
N
O
P
Q
R
S
T
U
V
W
X
Y

A
B
C
D
E
F
G
H
I
J
K
L
M
N
O
P
Q
R
S
T
U
V
W
X
Y

PLASTIC GROMMETS



Two Piece Plastic, 2" to 2-1/2" Bore Hole

- Cap has permanent wire hole cutout
- Two colors with smooth finish
- Liner depth: 5/8"
- Cap and liner included



Color	Bore Hole Dia.: 2" Overall Dia.: 2-1/2"	Bore Hole Dia.: 2-3/8" Overall Dia.: 2-7/8"	Bore Hole Dia.: 2-1/2" Overall Dia.: 3"
White	HC6730010-WH	-	HC6740010-WH
Black	HC6730014-BK	HC6737014-BK	HC6740014-BK



Three Piece Plastic, 50mm Bore Hole

- Multi-opening wire grommets
- Fine pebble texture finish
- Sold as three piece kit



Item #	Bore Hole Dia.	Liner Depth	Overall Dia.	Color
HC6200-010	50mm	25mm	62mm	White
HC6200-014	50mm	25mm	62mm	Black
HC6200-021	50mm	25mm	62mm	Gray
HC6200-058	50mm	25mm	62mm	Brown



Three Piece Plastic, 60mm Bore Hole

- Multi-opening wire grommets
- Fine pebble texture finish
- Sold as three piece kit



Item #	Bore Hole Dia.	Liner Depth	Overall Dia.	Color
HC6237-010	60mm	25mm	72mm	White
HC6237-014	60mm	25mm	72mm	Black
HC6237-021	60mm	25mm	72mm	Gray
HC6237-029	60mm	25mm	72mm	Almond
HC6237-058	60mm	25mm	72mm	Brown
HC6237-075	60mm	25mm	72mm	Gold Plated
HC6237-079	60mm	25mm	72mm	Chrome Plated



Three Piece Plastic, 70mm Bore Hole

- Multi-opening wire grommets
- Fine pebble texture finish
- Sold as three piece kit



Item #	Bore Hole Dia.	Liner Depth	Overall Dia.	Color
HC6243BK	70mm	25mm	82mm	Black
HC6243AL	70mm	25mm	82mm	Almond
HC6243GR	70mm	25mm	82mm	Gray

PLASTIC GROMMETS

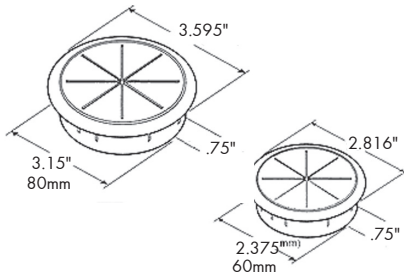


One Piece Plastic 2-3/8" & 3-5/32" Bore Hole

- Flexigrom® wire grommets control wire feeds to work surfaces
- Patented flexible top allows for multiple wires from various directions
- One piece construction eliminates lost inserts

Packing: As shown below.

Sold In: Full box quantities only.



Finish	Bore Hole Diameter: 2-3/8" Overall Diameter: 2-13/16" Liner Depth: 3/4" Box Qty: 100 Item #	Bore Hole Diameter: 3-5/32" Overall Diameter: 3-19/32" Liner Depth: 3/4" Box Qty: 100 Item #
Black	CPF-2670	CPF-2870
White	CPF-2671	-



Three Piece Plastic, 1-7/8", 2-3/8" & 3-1/8" Bore Hole

- This style grommet has three pieces; grommet cap, rotary cap and hole liner
- Rotating liner enables grommet cap wire opening to be adjusted to three positions; closed, half open and fully opened

NOTE: *Sold in box quantities of 100

Black Item #	White Item #	Brown Item #	Gray Item #	Almond Item#	Bore Hole Diameter	Hole Liner Depth	Overall Diameter
CPF-2500	CPF-2501	CPF-2502	CPF-2503	CPF-2504	1-7/8"	1"	2-1/2"
CPF-2600	CPF-2601	CPF-2602	CPF-2603	CPF-2604	2-3/8"	1"	2-7/8"
CPF-2800	CPF-2801	-	-	CPF-2804*	3-1/8"	1"	3-5/8"



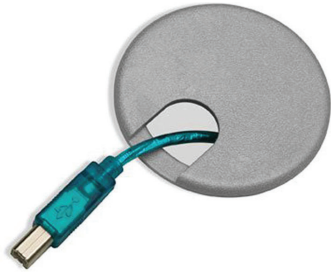
Two Piece Plastic, 1" to 3" Bore Hole



- Removable cap
- Made of plastic
- Cap and liner sold together

Black Item #	White Item #	Almond Item #	Description	Bore Hole	Liner Depth
BA1041BK	BA1041WH	-	Plastic Round Wire Grommet	1" Dia.	5/8" Deep
BA1037BK	BA1037WH	-	Plastic Round Wire Grommet	1-1/2" Dia.	5/8" Deep
BA1039BK	BA1039WH	-	Plastic Round Wire Grommet	1-3/4" Dia.	5/8" Deep
BA1035BK	BA1035WH	-	Plastic Round Wire Grommet	2" Dia.	5/8" Deep
BA1033BK	BA1033WH	-	Plastic Round Wire Grommet	2-1/2" Dia.	5/8" Deep
BA1043BK	BA1043WH	BA1043AL	Plastic Round Wire Grommet	3" Dia.	5/8" Deep

A PLASTIC GROMMETS



Two Piece Plastic, 3/4" To 4" Bore Hole

- Cap has permanent cut out for wires
 - 5/8" depth (Bore hole diameter of 4" has 3/4" depth)
 - Available in eight sizes from 3/4" bore hole depth dia. to 4" bore hole dia.
- Packing: Cap and liner sold together.



Black

Light Grey

Putty

White

Polished Brass

Polished Chrome

Color	Inside Dia.: 9/16" Bore Hole Dia.: 3/4" O.A. Dia.: 1"	Inside Dia.: 13/16" Bore Hole Dia.: 1" O.A. Dia.: 1-5/16"	Inside Dia.: 1-5/16" Bore Hole Dia.: 1-1/2" O.A. Dia.: 1-3/4"	Inside Dia.: 1-9/16" Bore Hole Dia.: 1-3/4" O.A. Dia.: 2"
Black	DGAG-3BK	DGOG-3BK	DGBG-3BK	DGSG-3BK
Light Gray	-	-	DGBG-3LG	DGSG-3LG
Putty	DGAG393-PY	DGOG3-93	DGBG3-93	DGSG-3PY
White	DGAG-3WH	DGOG-3WH	DGBG-3WH	DGSG-3WH
Pol. Brass Plated	-	-	-	DGSG-5BR
Pol. Chrome Plated	-	-	DGBG-5CH	DGSG-5CH

Color	Inside Dia.: 1-7/8" Bore Hole Dia.: 2" O.A. Dia.: 2-3/8"	Inside Dia.: 2-9/32" Bore Hole Dia.: 2-1/2" O.A. Dia.: 3"	Inside Dia.: 2-13/16" Bore Hole Dia.: 3" O.A. Dia.: 3-1/2"	Inside Dia.: 3-7/8" Bore Hole Dia.: 4" O.A. Dia.: 4-1/2"
Black	DGTG-3BK	DGEDP-3BK	DGXG-3BK	DGZG-3BK
Light Gray	DGTG-3LG	DGEDP-3LG	DGXG-3LG	DGZG-3LG
Putty	DGTG3-93	DGEDP3-93	DGXG3-93	DGZG3-93
White	DGTG-3WH	DGEDP-3WH	DGXG-3WH	DGZG-3WH
Pol. Brass Plated	DGTG-5BR	-	DGXG5-3	-
Pol. Chrome Plated	DGTG-5CH	DGEDP-5CH	DGXG-5CH	-

PLASTIC & METAL GROMMETS



Dually Grommet, 2-1/2" Bore



- Finished look on both sides
- No gluing required
- Works with depths from 3/4" - 2-1/2"
- Trim marks every 1/4"
- Two Piece Plastic
- Sold by the each

Item #	Color
FCDUALLY2.5-AL	Almond
FCDUALLY2.5-BL	Black
FCDUALLY2.5-HR	Hardrock Maple
FCDUALLY2.5-WH	White

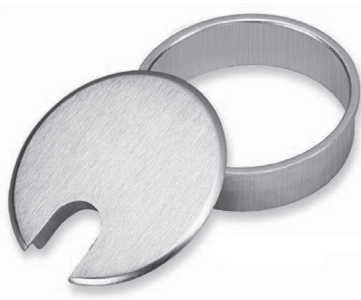


**Two Piece Metal
2-23/64" Bore Hole**



- 2 piece metal grommet (liner & cap) with locking top and wire brush cable passage

Item #	Bore Hole Dia.	Overall Dia.	Finish
CPF-04-60-22-NS	2-23/64"	2-11/16"	Dull Chrome



**Round Wire Grommets, 1-3/4" Bore Hole
Two Piece Solid Brass**

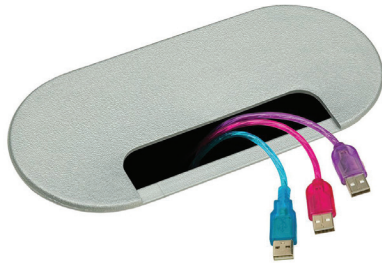


- Solid brass, hand machined grommet caps and liners
- Sits 1/16" above the desktop
- Cap has permanent cut out for wires
- Grommet liner and grommet cap sold separately
- Three finishes available

Packing: Caps and liners sold separately. Full box quantities of liners & caps are 5.

Item #	Bore Hole	Depth	Overall Dia.	Finish
Hole Liners				
DGMM-3ABR	1-3/4"	1-3/4"	1-7/8"	Bright Brass
DGMM-3ACH	1-3/4"	1-3/4"	1-7/8"	Bright Chrome
DGMM3A-10B	1-3/4"	1-3/4"	1-7/8"	English Antique
Grommet caps				
DGMM-3BR	-	-	2"	Bright Brass
DGMM-3CH	-	-	2"	Bright Chrome
DGMM3-10B	-	-	2"	English Antique

A OVAL GROMMETS



Oval Wire Grommets, Two Piece Plastic



- Overall dimensions are 6-1/2" long x 3" wide fitting into an oval bore slot of 6" x 2-1/2"

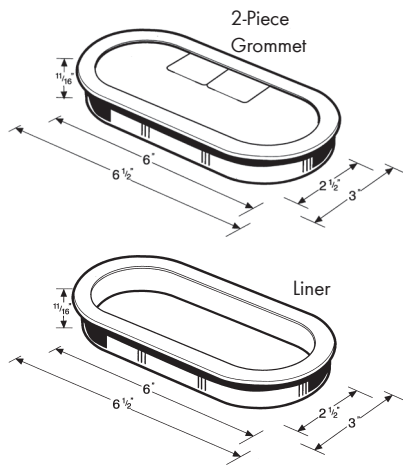
- Textured cap has an "invisible" 3-1/2" x 1" hinged wire access slot

Packing: Cap and liner are sold together. Full box quantity of 5.

Sold In: Full box quantity only.

Item #	Color	Box Qty
DGLO-3BK	Black	5
DGLO-3LG	Light Gray	5
DGLO-3PY	Putty	5
DGLO-3WH	White	5

B
C
D
E
F
G
H
I
J
K
L
M
N
O
P
Q
R
S
T
U
V
W
X
Y

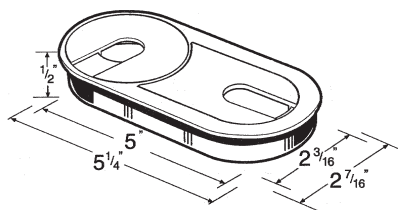


Oval Wire Grommets Two Piece Plastic



- Fine pebble texture
- Cap has two independent pivot hinges for wires

Color	Liner & Cap Item #	Liner Only Item #	Bore Hole	Liner Depth	Overall Size
White	HC6399010-WH	HC6398010-WH	6"L x 2-1/2"W	11/16"	6-1/2" L x 3"W
Black	HC6399014-BK	HC6398014-BK	6"L x 2-1/2"W	11/16"	6-1/2" L x 3"W
Gray	HC6399021-GR	HC6398021-GR	6"L x 2-1/2"W	11/16"	6-1/2" L x 3"W
Almond	HC6399029-AL	HC6398029-AL	6"L x 2-1/2"W	11/16"	6-1/2" L x 3"W
Brown	HC6399058-BR	HC6398058-BR	6"L x 2-1/2"W	11/16"	6-1/2" L x 3"W



Oval Wire Grommets, Three Piece Plastic



- Grommets include: grommet hole liner, round cap and oval cap
- Both caps have fixed hole cut out for wires
- Fine pebble texture
- Two caps and liner sold together

Color	Item #	Bore Hole	Liner Depth	Overall Size
White	HC6385010-WH	5"L x 2-3/16"W	1/2"	5-1/4" L x 2-7/16"W
Black	HC6385014-BK	5"L x 2-3/16"W	1/2"	5-1/4" L x 2-7/16"W
Almond	HC6385029-AL	5"L x 2-3/16"W	1/2"	5-1/4" L x 2-7/16"W
Brown	HC6385058-BR	5"L x 2-3/16"W	1/2"	5-1/4" L x 2-7/16"W

TRASH GROMMETS



Trash Grommets, 3" To 12" Bore Hole One Piece Stainless Steel



- High quality stainless steel material and finish

Item #	Bore Hole	Liner Depth	Overall Diameter	Finish
HC6123279-SS	3"	2"	3-3/4"	Polished
HC6124279-CH	4"	2"	4-3/4"	Polished
HC6143100-SS	6"	1"	6-3/4"	Brushed
HC6143179-SS	6"	1"	6-3/4"	Polished
HC6143279-SS	6"	2"	6-3/4"	Polished
HC6143479-SS	6"	4"	6-3/4"	Polished
HC6143679-SS	6"	6"	6-3/4"	Polished
HC6148179-SS	8"	1"	8-3/4"	Polished
HC6148279-SS	8"	2"	8-3/4"	Polished
HC6150179-SS	10"	1"	10-3/4"	Polished
HC6150279-SS	10"	2"	10-3/4"	Polished
HC6152179-SS	12"	1"	12-3/4"	Polished
HC6152279-SS	12"	2"	12-3/4"	Polished
HC6152679-SS	12"	6"	12-3/4"	Polished



Trash Grommets, 6" & 8" Bore Hole One Piece Plastic & Stainless Steel

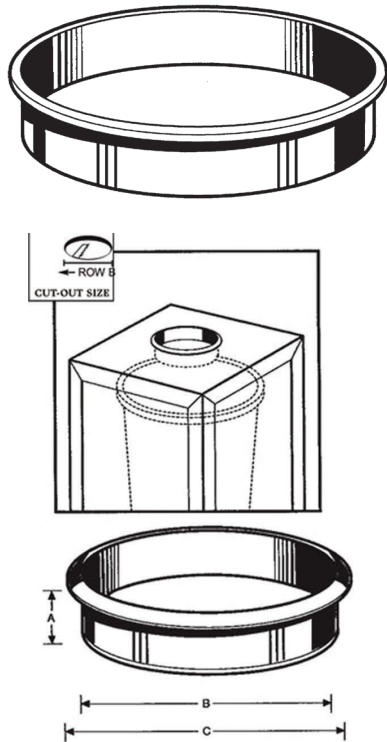


- Plastic and polished stainless steel trash grommets
- Polished stainless steel liners meet local codes for restaurant kitchens and public installations
- Simple installation, just rout or drill a 6" or 8" hole and insert liner

Item #	Bore Hole	Liner Depth	Overall Diameter	Finish
Plastic				
DGTM-1BK	6"	1"	6-3/4"	Black
DGTM-1LG	6"	1"	6-3/4"	Light Gray
DGTM-1PY	6"	1"	6-3/4"	Putty
DGTM1-95	6"	1"	6-3/4"	White
Stainless Steel				
DGTM4-SSS	4"	1"	4 7/8"	Satin
DGTM-1PSS	6"	1"	6-3/4"	Polished
DGTM1B-PSS	6"	2"	6-3/4"	Polished
DGTM-1APSS	6"	6"	6-3/4"	Polished
DGTM-2PSS	8"	1"	8-5/8"	Polished
DGTM-2BPSS	8"	2"	8-5/8"	Polished

A TRASH & VENTILATION GROMMETS

B
C
D
E
F
G
H
I
J
K
L
M
N
O
P
Q
R
S
T
U
V
W
X
Y



**Trash Grommets, 4-1/8" & 6" Bore Hole
One Piece Plastic Grommets**



• Available in six colors

Item #	Liner Depth (A)	Bore Hole (B)	Overall Dia. (C)	Color
HC6122010-WH	7/8"	4-1/8"	4-3/8"	White
HC6122014-BK	7/8"	4-1/8"	4-3/8"	Black
HC6122021-GR	7/8"	4-1/8"	4-3/8"	Gray
HC6122029-AL	7/8"	4-1/8"	4-3/8"	Almond
HC6122075-GLD	7/8"	4-1/8"	4-3/8"	Gold
HC6144WH	1"	6"	6-3/4"	White
HC6144BK	1"	6"	6-3/4"	Black
HC6144021-GR	1"	6"	6-3/4"	Gray
HC6144029-AL	1"	6"	6-3/4"	Almond
HC6144058-BR	1"	6"	6-3/4"	Brown



**Ventilation Grommets,
4-1/4" L x 3-1/4" W Bore Hole
Two Piece Plastic**



• One liner and one cap, cap is designed to lock on the liner

Item #	Liner Depth	Overall Size	Color
HC6437010-WH	5/8"	4-1/2" L x 3-1/2" W	White
HC6437-014	5/8"	4-1/2" L x 3-1/2" W	Black
HC6437021-GR	5/8"	4-1/2" L x 3-1/2" W	Gray



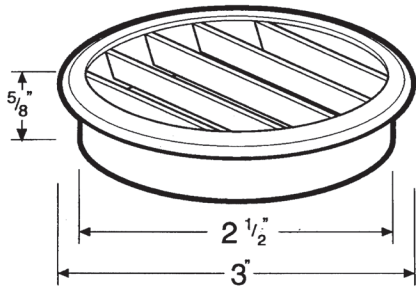
**Ventilation Grommets, 2-1/2" Bore Hole
One Piece Round Plastic**



• Round plastic rings that can be used for air vents in computer cabinetry, stereo/TV cabinetry, etc.

Item #	Color	Bore Hole	Liner Depth	Overall Diameter
DGAVG-3BK	Black	2-1/2"	2-5/16"	3"
DGAVG-3PY	Putty	2-1/2"	2-5/16"	3"
DGAVG-3WH	White	2-1/2"	2-5/16"	3"

VENTILATION & SPECIALTY GROMMETS

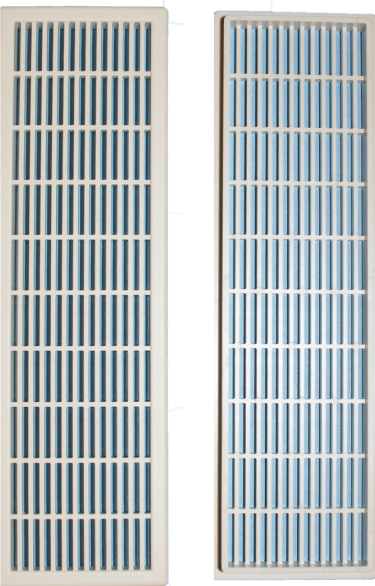


Ventilation Grommets, 2-1/2" Bore Hole, One Piece Round Plastic



- Available in four colors; black, gray, almond and brown

Item #	Bore Hole	Liner Depth	Overall Diameter	Color
HC6435014-BK	2-1/2"	5/8"	3"	Black
HC6435021-GR	2-1/2"	5/8"	3"	Gray
HC6435029-AL	2-1/2"	5/8"	3"	Almond
HC6435058-BR	2-1/2"	5/8"	3"	Brown



Ventilation Grommets One Piece Rectangular Plastic



- Plastic entertainment center vent grill
- Provides air circulation where needed
- Hole size 2-3/8" x 8-5/8"; no lip
- Easy to install; simply glue in

Item #	Color	Box Qty
BA4503AL	Almond	50
BA4503BK	Black	50
BA4503DB	Brown	50
BA1970-GR	Gray	50
BA4503WH	White	50



One Piece Plastic Paper Slot Grommets



- Made of plastic
- Slight outward bow, to keep grommet in place after installation
- Sold by the each

Item #	Overall Dimensions	Finish
CPF-21500	1.41"W x 12.80"L x 1.10"H	Black
CPF-21750	1.41"W x 16.96"L x 1.10"H	Black

A
B
C
D
E
F
G
H
I
J
K
L
M
N
O
P
Q
R
S
T
U
V
W
X
Y

A SPECIALTY GROMMETS



One Piece Plastic Paper Slot Grommets



- Two sizes available: 12" and 17-3/8" L, 1" liner depth
- Full relief groove all around the overlapping trim edge

Item #	Bore Hole	Overall Size	Color
HC6307-12BK	12"L x 1-5/8"W	12-3/4"L x 2-7/16"W	Black



Hair Dryer Grommet

**Round Vanity Grommets
One Piece Grommet**



- Hair dryer grommet is made of a special rubber and plastic composition that "gives" when the hair dryer is inserted, and the top rim is fashionably textured for a well groomed appearance, resists heat
- Curling iron holders are made of a thick steel tube that absorbs heat well
- Scissor grommet has a steel bottom added with a rubber bottom pad inside so the scissors points won't get dull or bent



Curling Iron & Scissor Grommet

Item #	Type	Bore Hole	Overall Dia.	Inside Dia.	Liner Depth	Finish
DGHD-1BK	Hair Dryer	3"	4"	2-7/8"	1-1/2"	Black
DGCT-1BK	Small Curling Iron	1-1/2"	1-7/8"	1-3/8"	4-11/16"	Black
DGCT-1CH	Small Curling Iron	1-1/2"	1-7/8"	1-3/8"	4-11/16"	Polished Chrome
DGCT-2BK	Large Curling Iron	2-1/2"	3-1/32"	2-3/8"	4-25/32"	Black
DGCT-2CH	Large Curling Iron	2-1/2"	3-1/32"	2-3/8"	4-25/32"	Polished Chrome
DGCT3-90	Scissors	2-1/2"	3-1/32"	2-3/8"	4-27/32"	Black



DGJB-1BK

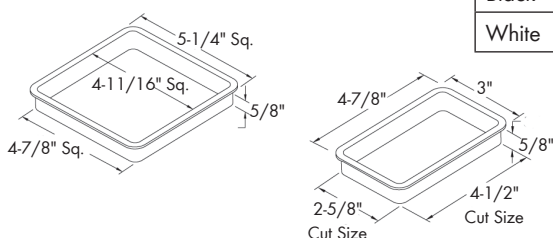
DGJB-2BK

Junction Box Grommets, One Piece Plastic



- Junction box grommets are perfect for finishing off wall coverings or furniture with junction boxes
- Grommets are available for either 2 outlet (rectangular) or four outlet (square) junction boxes
- Both grommets have 3/8" wide lip
- Double box dimensions are 5-1/4" square outside size, fitting into a 4-13/16" square hole
- Single box dimensions are 5" x 3" outside size fitting into a 4-1/2" x 2-5/8" hole

Finish	Single Box Item #	Double Box Item #
Black	DGJB-1BK	DGJB-2BK
White	DGJB-1WH	DGJB-2WH



WIRE MANAGEMENT



Single Trim Ring

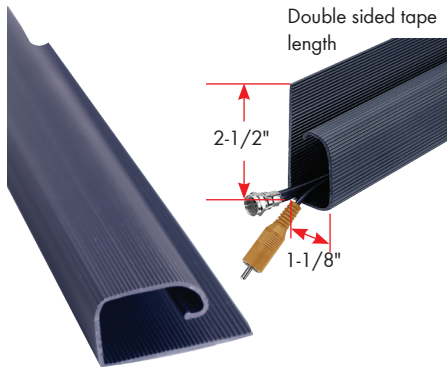
Double Trim Ring

**Trimnable Junction Box Grommets,
One Piece Plastic Electric Trim Ring**



- Designed to clean up electrical cutouts in the back of cabinets
 - Single box inside opening dimensions are 3-1/2" wide and 5.3125" tall, double box inside dimensions are 5-5/16" wide and tall
 - 1-1/4" liner depth can be trimmed in perforated 1/4" increments
- Packing & Sold in: Full box quantities as shown below. Sold by the box.

Single Trim Ring Item #	Double Trim Ring Item #	Finish	UM	Box Qty
FCETRSG-L-BL	FCETRDBL-BL	Black	EA	1
FCETRSG-L-BL10	FCETRDBL-BL10	Black	PK	10
FCETRSG-L-HM	-	Hardrock Maple	EA	1
FCETRSG-L-WH	FCETRDBL-WH	White	EA	1
FCETRSG-L-WH10	FCETRDBL-WH10	White	PK	10

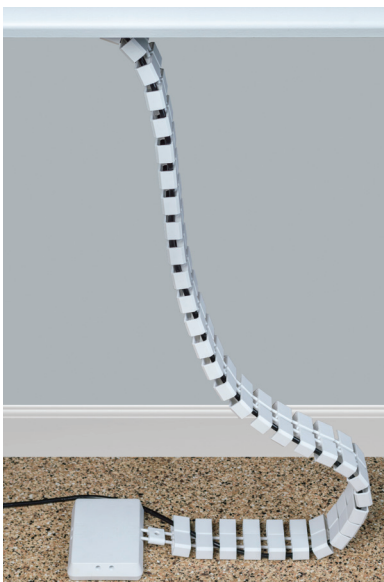


**Snap Open/Close
Square Wire Channels**



- Plastic channel tracks snap closed, have double sided self-adhesive tape on rear and have serrated edges to hide fingerprints
- Channel clips: 2"L, wire channel tracks: 98"L
- Material: Black ABS plastic

Item #
CPF-31500T



**Cable Manager Kit
Link 360**



- Kit Includes: (45) Link Elements, (1) Quad Connector, (1) Dumbbell Connector, (1) Foot Assembly, & (2) Magnetic Clips
- 51" Length

Item #	Description	Finish
CPF-75361M	Link 360 Cable Manager Kit, 51" Length	Black
CPF-75362M	Link 360 Cable Manager Kit, 51" Length	White
CPF-75364M	Link 360 Cable Manager Kit, 51" Length	Translucent

A
B
C
D
E
F
G
H
I
J
K
L
M
N
O
P
Q
R
S
T
U
V
W
X
Y

A PULL-OUT KEYBOARD TRAYS

B
C
D
E
F
G
H
I
J
K
L
M
N
O
P
Q
R
S
T
U
V
W
X
Y



Standard Pull-Out Keyboard Trays With Built-In Wrist Pad & Mouse Pad



- Brackets mount in outboard position under work surface for widths 23" or greater or in the inboard position for widths less than 20 -3/4"
- Precision ball bearing slides with lockout provide 75 lbs. load rating
- Height adjustment 2-1/4" to 3-5/8" from bottom of work surface
- Integrated 23" long Lycra gel cushion wrist rest wraps around front edges of drawer

	Item #	Description	Tray Size	Finish
A	KVKD-100	Standard	19-1/2"L x 10"W	Black
B	KVKD-110	With 8" Dia. Mouse Pad	19-1/2"L x 10"W	Black



Pull-Out Keyboard Trays Extra Wide



- Brackets mount in outboard position under work surface for applications 29" W or greater or in the inboard position for 26 -3/4"W or less
- Precision ball bearing slides with lockout provide 75 lbs. load rating
- Integrated 28-3/4"L Lycra gel cushion wrist rest wraps around front edges of drawer

Item #	Tray Size	Finish
KVKD-1000	28-3/4"L x 10" W	Black



Pencil Drawer Pull-Outs Top Mount Tray



- Epoxy slides are used to provide full extension access to drawer contents
- Trays require 1/2" space on each side of slide to be properly mounted
- Each tray has a 75 lb. load capacity



	Item #	Tray Size	Slide Length	Finish
A	FT1550	12-5/8"W x 16"L	18"	Black
B	FT1560	22"W x 20"L	20"	Black