

SECTION O - TABLE OF CONTENTS

Section O Contents:

- Barn Door Hardware2-16
- Bi-Fold/Sliding Door Hardware 17-29
- Rolling Ladders 30-35
- Wall Bed/Hidden Door Hardware..... 36
- Sliding Door Tracks 37-44
- Hooks 45-48
- Spring/Pivot Hinges 49-51
- Passage Door Hardware 52-54
- Bath Hardware 55
- Toilet Partition Hardware 56-59
- Bar Railing & Accessories 60-64



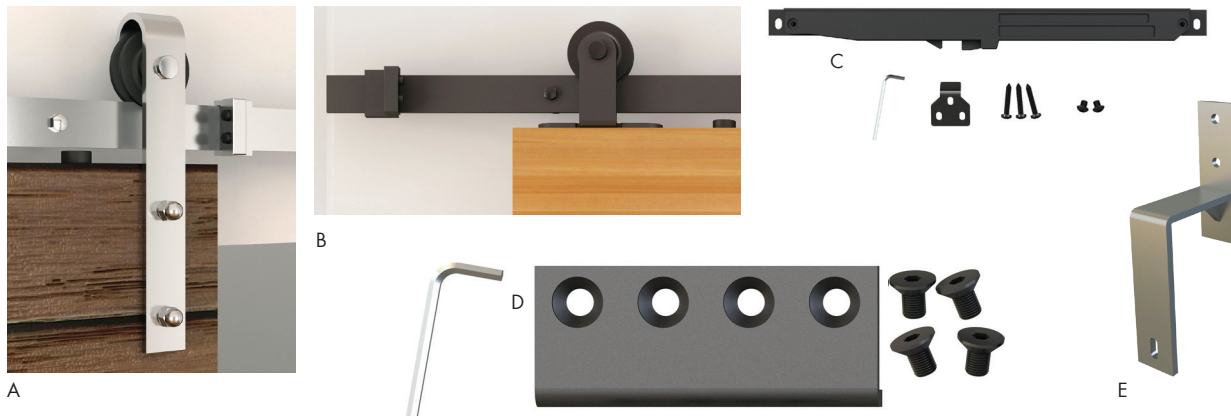
- A
- B
- C
- D
- E
- F
- G
- H
- I
- J
- K
- L
- M
- N
- O**
- P
- Q
- R
- S
- T
- U
- V
- W
- X
- Y



A
B
C
D
E
F
G
H
I
J
K
L
M
N
O
P
Q
R
S
T
U
V
W
X
Y

BARN DOOR HARDWARE

Flat Rail Kits with Soft-Close Option



Item #	Type	Material	Finish	Kit Includes
Barn Door Hardware Flat Rail Kits - Face Mount - Maximum Door Weight: 350 lbs.				
FUT7721451020	Face Mount	Steel	Matte Black	(1) 96"L Flat Rail, (5) Clamps for Fixing to Rail, (2) Door Stoppers, (2) Anti-Jump Blocks, (2) Sliding Door Rollers, & (1) Floor Guide
FUT7721451005	Face Mount	Steel	Matte Black	(1) 78"L Flat Rail, (5) Clamps for Fixing to Rail, (2) Door Stoppers, (2) Anti-Jump Blocks, (2) Sliding Door Rollers, & (1) Floor Guide
FUT7721453021	Face Mount	Steel	Oil Rubbed Bronze	(1) 96"L Flat Rail, (5) Clamps for Fixing to Rail, (2) Door Stoppers, (2) Anti-Jump Blocks, (2) Sliding Door Rollers, & (1) Floor Guide
FUT7721453007	Face Mount	Steel	Oil Rubbed Bronze	(1) 78"L Flat Rail, (5) Clamps for Fixing to Rail, (2) Door Stoppers, (2) Anti-Jump Blocks, (2) Sliding Door Rollers, & (1) Floor Guide
FUT7721456023	Face Mount	Stainless Steel	Stainless Steel	(1) 96"L Flat Rail, (5) Clamps for Fixing to Rail, (2) Door Stoppers, (2) Anti-Jump Blocks, (2) Sliding Door Rollers, & (1) Floor Guide
FUT7721456006	Face Mount	Stainless Steel	Stainless Steel	(1) 78"L Flat Rail, (5) Clamps for Fixing to Rail, (2) Door Stoppers, (2) Anti-Jump Blocks, (2) Sliding Door Rollers, & (1) Floor Guide
Barn Door Hardware Flat Rail Kits - Top Mount - Maximum Door Weight: 300 lbs.				
FUT7722451008	Top Mount	Steel	Matte Black	(1) 78"L Flat Rail, (5) Clamps for Fixing to Rail, (2) Door Stoppers, (2) Anti-Jump Blocks, (2) Sliding Door Rollers, & (1) Floor Guide
FUT7722456009	Top Mount	Stainless Steel	Stainless Steel	(1) 78"L Flat Rail, (5) Clamps for Fixing to Rail, (2) Door Stoppers, (2) Anti-Jump Blocks, (2) Sliding Door Rollers, & (1) Floor Guide
Accessories - Soft-Close Mechanism for Flat Rail Barn Door Hardware Only				
FUT7725351100	Soft-Close Mechanism, Matte Black Finish			
FUT7725353108	Soft-Close Mechanism, Oil Rubbed Bronze Finish			
FUT7725356109	Soft-Close Mechanism, Stainless Steel Finish			
Accessories - Designed for Flat Rail Barn Door Hardware Only				
FUT7725951104	Flat Rail Connector, Connects Two Flat Rails Together, Matte Black Finish			
FUT7725953106	Flat Rail Connector, Connects Two Flat Rails Together, Oil Rubbed Bronze Finish			
FUT7725956105	Flat Rail Connector, Connects Two Flat Rails Together, Stainless Steel Finish			
FUT7791951101	Bypass Door Brackets, Designed for Two Door Application, Matte Black Finish			
FUT7791953103	Bypass Door Brackets, Designed for Two Door Application, Oil Rubbed Bronze Finish			
FUT7791956102	Bypass Door Brackets, Designed for Two Door Application, Stainless Steel Finish			

BARN DOOR HARDWARE

Round Rail Kits with Soft-Close Option



B

A



C



A
B
C
D
E
F
G
H
I
J
K
L
M
N
O
P
Q
R
S
T
U
V
W
X
Y

Item #	Type	Material	Finish	Kit Includes
Barn Door Hardware Round Rail Kits - Face Mount - Maximum Door Weight: 260 lbs.				
A FUT7711456001	Face Mount	Stainless Steel	Stainless Steel	(1) 78"L Round Rail, (4) Clamps for Fixing to Rail, (2) Door Stoppers, (2) End Caps, (2) Sliding Door Rollers, (1) Floor Guide, & (1) Tool
FUT7711356002	Face Mount w/Soft-Close	Stainless Steel	Stainless Steel	(1) 78"L Round Rail, (4) Clamps for Fixing to Rail, (2) Door Stoppers, (2) End Caps, (2) Sliding Door Rollers, (1) Floor Guide, (1) Tool, (2) Soft-Closing Mechanisms, & (2) Triggers for the Soft-Close
Barn Door Hardware Round Rail Kits - Top Mount - Maximum Door Weight: 260 lbs.				
B FUT7712456003	Top Mount	Stainless Steel	Stainless Steel	(1) 78"L Round Rail, (4) Clamps for Fixing to Rail, (2) Door Stoppers, (2) End Caps, (2) Sliding Door Rollers, & (1) Floor Guide
FUT7712356004	Top Mount w/Soft-Close	Stainless Steel	Stainless Steel	(1) 78"L Round Rail, (4) Clamps for Fixing to Rail, (2) Door Stoppers, (2) End Caps, (2) Sliding Door Rollers, (1) Floor Guide, (2) Soft-Closing Mechanisms, & (2) Triggers for the Soft-Close
Accessory - Round Rail Connector				
C FUT7715956107	Round Rail Connector, designed to connect two round rails together, Stainless Steel Finish			

A BARN DOOR HARDWARE

A
B
C
D
E
F
G
H
I
J
K
L
M
N
O
P
Q
R
S
T
U
V
W
X
Y



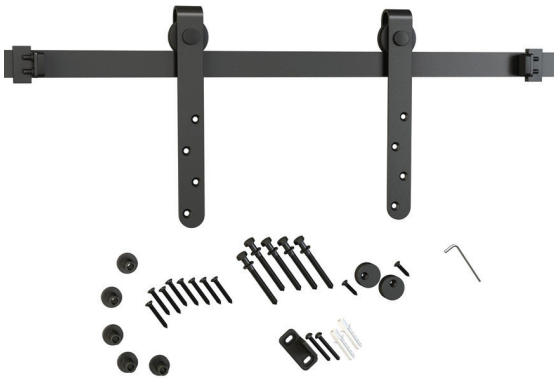
Mini-Barn Door Hardware Face Mount Kit



- Applications: kitchen islands, bathroom vanities, dressers, decorative window coverings, & hidden TV solutions
- Suitable for door thickness of 1" - 1-3/16" (25 - 30 mm)
- Door Weight Capacity: 44 Lbs.
- Available Finishes: Matte Black
- Steel with powder coat

Kit Includes:

- (1) 70"L Flat Rail
- (5) Clamps for Fixing to Rail
- (2) Door Stoppers
- (2) Anti-Jump Blocks
- (2) Sliding Door Rollers
- (1) Floor Guide
- (1) Allen Key & Screws



Item #	Description	Finish
FUT7721451010	Mini-Barn Door Hardware Flat Rail Kit, Face Mount	Matte Black
FUT7721951136	Accessory - Extra Sliding Door Roller, Face Mount	Matte Black



Mini-Barn Door Hardware Top Mount Kit



- Applications: kitchen islands, bathroom vanities, dressers, decorative window coverings, & hidden TV solutions
- Suitable for door thickness of 1" - 1-3/16" (25 - 30 mm)
- Door Weight Capacity: 44 Lbs.
- Available Finishes: Matte Black
- Steel with powder coat

Kit Includes:

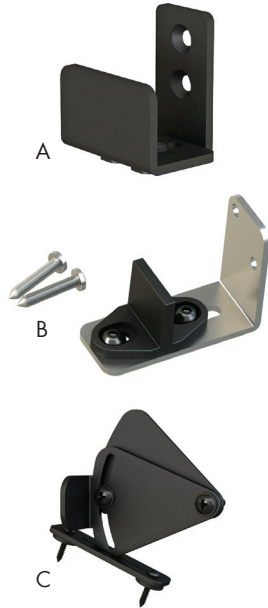
- (1) 70"L Flat Rail
- (5) Clamps for Fixing to Rail
- (2) Door Stoppers
- (2) Anti-Jump Blocks
- (2) Sliding Door Rollers
- (1) Floor Guide
- (1) Allen Key & Screws



Item #	Description	Finish
FUT7722451011	Mini-Barn Door Hardware Flat Rail Kit, Top Mount	Matte Black
FUT7722951135	Accessory - Extra Sliding Door Roller, Top Mount	Matte Black

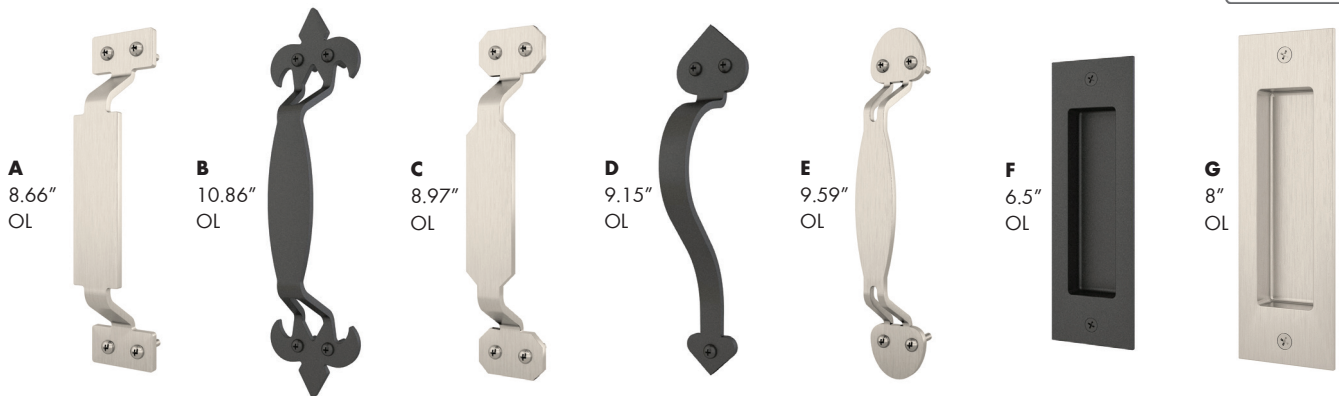
REGULAR & MINI BARN DOOR ACCESSORIES

C-Guides, T-Guides & Latches



	Item #	Description	Finish
A	FUT7791951110	C-Guide for Regular & Mini Barn Door	Matte Black
	FUT7791953111	C-Guide for Regular & Mini Barn Door	Oil Rubbed Bronze
	FUT7791956112	C-Guide for Regular & Mini Barn Door	Stainless Steel
B	FUT7791951113	T-Guide for Regular & Mini Barn Door	Matte Black
	FUT7791953114	T-Guide for Regular & Mini Barn Door	Oil Rubbed Bronze
	FUT7791956115	T-Guide for Regular & Mini Barn Door	Stainless Steel
C	FUT7751951201	Latch for Regular & Mini Barn Door	Matte Black
	FUT7751953202	Latch for Regular & Mini Barn Door	Oil Rubbed Bronze
	FUT7751959200	Latch for Regular & Mini Barn Door	Satin Nickel

Handles



	Item #	Style	Finish
A	FUT7751951307	Rectangle	Matte Black
	FUT7751953308	Rectangle	Oil Rubbed Bronze
	FUT7751959306	Rectangle	Satin Nickel
B	FUT7751951310	Fleur-de-lis	Matte Black
	FUT7751953311	Fleur-de-lis	Oil Rubbed Bronze
	FUT7751959309	Fleur-de-lis	Satin Nickel
C	FUT7751951313	Octagon	Matte Black
	FUT7751953314	Octagon	Oil Rubbed Bronze
	FUT7751959312	Octagon	Satin Nickel
D	FUT7751951319	Spade	Matte Black
	FUT7751953320	Spade	Oil Rubbed Bronze

	Item #	Description	Finish
E	FUT7751951316	Rounded	Matte Black
	FUT7751953317	Rounded	Oil Rubbed Bronze
	FUT7751959315	Rounded	Satin Nickel
F	FUT7753951301	6.5"OL Flush	Matte Black
	FUT7753953302	6.5"OL Flush	Oil Rubbed Bronze
	FUT7753959300	6.5"OL Flush	Satin Nickel
G	FUT7753951304	8"OL Flush	Matte Black
	FUT7753953305	8"OL Flush	Oil Rubbed Bronze
	FUT7753959303	8"OL Flush	Satin Nickel

NOTE: All handles are non-stock items.

A
B
C
D
E
F
G
H
I
J
K
L
M
N
O
P
Q
R
S
T
U
V
W
X
Y

BARN DOOR HARDWARE

Quiet Glide Round Rail Collection

NOTE: All items are non-stock. Ship direct from manufacturer.



Bring the trendy yet timeless style of our premium-quality rolling barndoor hardware to your home! The Quiet Glide Round Rail is by far our most customizable collection—from tastefully rustic to simple and modern, you can create a design to suit any space. With moveable brackets for easy, universal installation and sturdy construction that supports a max recommended 250 lbs, the Quiet Glide Round Rail hardware will be a practical and stylish addition to your home!

1 Select Roller Straps



Hand-Forged, Hammered Traditional Style

Forged by a local Wisconsin blacksmith, these Spade and Fleur-de-Lis straps are custom-made exclusively for Quiet Glide. Includes fasteners and rollers.



Item #	Style	Color
CSHQG.1104.07	Spade	Oil Rubbed Bronze
CSHQG.1104.08	Spade	Black
CSHQG.1204.07	Fleur-de-Lis	Oil Rubbed Bronze
CSHQG.1204.08	Fleur-de-Lis	Black



Round Stick 2.75"W x 6.67"H Horseshoe 4.12"W x 6.17"H Hook 2.5"W x 7.75"H Top Mount 4.5"W x 3.5"H



Basic Rectangle 2.62"W x 5"H Non-Hammered Spade Stick 2.5"W x 9.75"H Vista 2.5"W x 6.25"H

Contemporary Strap - Best Sellers!

Laser-cut steel and powder-coated finish. Includes fasteners and rollers. Choose strap style and finish (right).

Item #	Finish
Round Stick	
CSHQG.1304.RS.02	Satin Nickel
CSHQG.1304.RS.07	Oil Rubbed Bronze
CSHQG.1304.RS.08	Black
Hook	
CSHQG1304HK02	Satin Nickel
CSHQG1304HK07	Oil Rubbed Bronze
CSHQG1304HK08	Black
Basic Rectangle	
CSHQG.1304.BR.02	Satin Nickel
CSHQG.1304.BR.07	Oil Rubbed Bronze
CSHQG.1304.BR.08	Black
Stick	
CSHQG1304ST02	Satin Nickel
CSHQG1304ST07	Oil Rubbed Bronze
CSHQG1304ST08	Black

Item #	Finish
Horseshoe	
CSHQG.1304.HS.02	Satin Nickel
CSHQG.1304.HS.07	Oil Rubbed Bronze
CSHQG.1304.HS.08	Black
Top Mount	
CSHQG1304TM02	Satin Nickel
CSHQG1304TM07	Oil Rubbed Bronze
CSHQG1304TM08	Black
Non-Hammered Spade	
CSHQG1104NH07	Oil Rubbed Bronze
CSHQG1104NH08	Black
Vista	
CSHQG.1304.V.02	Satin Nickel
CSHQG.1304.V.07	Oil Rub Bronze
CSHQG.1304.V.08	Black



See next page for item numbers.

Available Finishes:



BARN DOOR HARDWARE

1 Select Roller Straps - Continued

NOTE: All items are non-stock. Ship direct from manufacturer.



Item #	Finish
Cube Stick	
CSHQQ.1304.CS.02	Satin Nickel
CSHQQ.1304.CS.07	Oil Rub Bronze
CSHQQ.1304.CS.08	Black
Notched Rectangle	
CSHQQ.1304.NR.02	Satin Nickel
CSHQQ.1304.NR.07	Oil Rub Bronze
CSHQQ.1304.NR.08	Black

Item #	Finish
Non-Hammered Fleur-de-Lis	
CSHQQ1204NH07	Oil Rub Bronze
CSHQQ1204NH08	Black
Tri-Star	
CSHQQ1304TS02	Satin Nickel
CSHQQ1304TS07	Oil Rub Bronze
CSHQQ1304TS08	Black

Item #	Finish
Palm-Leis	
CSHQQ1304PL08	Black
Circles	
CSHQQ.1304.C.02	Satin Nickel
CSHQQ.1304.C.07	Oil Rub Bronze
CSHQQ.1304.C.08	Black

Item #	Finish
Wright	
CSHQQ1304WR02	Satin Nickel
CSHQQ1304WR07	Oil Rub Bronze
CSHQQ1304WR08	Black
Kaminski Wolf	
CSHQQ1304NK02	Satin Nickel
CSHQQ1304NK07	Oil Rub Bronze
CSHQQ1304NK08	Black

2 Select Round Aluminum Rails

Round Aluminum Rail for Rolling Barn Doors

Hang your rolling barn doors on sturdy, solid, 1" diameter aluminum rails. You can even join multiple rails together using splice kits.



Item #	Length	Finish
CSHQQ.4004.02	4'	Satin Nickel
CSHQQ.4004.07	4'	Oil Rub Bronze
CSHQQ.4004.08	4'	Black
CSHQQ.4006.02	6'	Satin Nickel
CSHQQ.4006.07	6'	Oil Rub Bronze
CSHQQ.4006.08	6'	Black
CSHQQ.4008.02	8'	Satin Nickel
CSHQQ.4008.07	8'	Oil Rub Bronze
CSHQQ.4008.08	8'	Black

Standard End Cap Kit for Round Rails

Made out of solid Steel. Each kit includes 2 caps (1-1/4" dia.) and 2 fastening bolts (1/4" #20 x 18mm)



Item #	Finish
CSHQQ.40.02	Satin Nickel
CSHQQ.40.07	Oil Rub Bronze
CSHQQ.40.08	Black

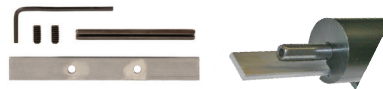
Ball End Cap Kit for Round Rails

Made of Aluminum. Ball cap measures 1-1/2" dia. and has a 1/4" 20 screw. Each kit includes 2 ball caps.



Item #	Finish
CSHQQ.401.02	Satin Nickel
CSHQQ.401.07	Oil Rub Bronze
CSHQQ.401.08	Black

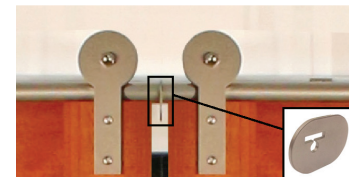
Splice Kit for Joining Round Rails Together



Item #	Size
CSHQQ.41	1/2" x 1/8" Bar

Center Door Stop for Biparting Applications

Stops your biparting door(s) in the middle where rails are joined. Use with two rail sections and splice kit.



Item #	Finish
CSHQQ40202	Satin Nickel
CSHQQ40207	Oil Rub Bronze
CSHQQ40208	Black

Thread Tap Accessory

Accessory used to make threads at the end of rails for end caps.



Item #	Size
CSHQTAP1420	1/4" x 20 Tap



Our solid round rails come extruded with a special profile. This allows for easy attachment to wall mounting brackets, end caps and splice kits.

A BARN DOOR HARDWARE

3 Select Wall-Mounting Brackets

Wall-Mounting Bracket for Round Rails

Choose between short and long brackets (depending on how far you want the door from the wall). Sold as each. Screws are included.

Brackets are used to mount the round rail to the wall. Recommended spacing between brackets is 16".

Wall Brackets must be mounted securely into a wood header. If the brackets are to be mounted to the moulding surrounding the opening of the door, the moulding must be firmly secured to the wall framework.



Short Bracket

For doors up to 1-5/8" thick.

Item #	Finish
CSHQG.203.02	Satin Nickel
CSHQG.203.07	Oil Rub Bronze
CSHQG.203.08	Black



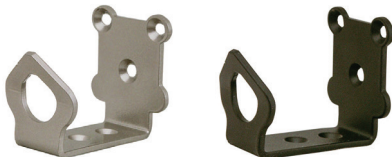
Long Bracket

For doors up to 2-1/4" thick.

Item #	Finish
CSHQG.201.02	Satin Nickel
CSHQG.201.07	Oil Rub Bronze
CSHQG.201.08	Black



4 Select Door Guides & Stops



Short

Long



Used as a Stop



A

B

C

D

Item #	Description	Finish	
Hand Forged, Hammered Spade Center Guide			
A	CSHQG.1101.07	Guide can be adjusted to accommodate various door thicknesses. Rear bracket and screws are included.	Oil Rubbed Bronze
	CSHQG.1101.08		Black
Hand Forged, Hammered Fleur-de-Lis Center Guide			
B	CSHQG.1201.07	Guide can be adjusted to accommodate various door thicknesses. Rear bracket and screws are included.	Oil Rubbed Bronze
	CSHQG.1201.08		Black

Universal Guide/Stop, Non-Handed

This product can be used as either a guide or a door stop, mounted onto the floor or to the wall. Sold as each.

Item #	Size	Finish
Use with Short Bracket (QG203 **)		
CSHQG13060102	1-7/8"	Satin Nickel
CSHQG13060107	1-7/8"	Oil Rub Bronze
CSHQG13060108	1-7/8"	Black
Use with Long Bracket (QG201 **)		
CSHQG13060202	2-1/2"	Satin Nickel
CSHQG13060207	2-1/2"	Oil Rub Bronze
CSHQG13060208	2-1/2"	Black

Left Stop Item #	Right Stop Item #	Description	Finish	
Hand Forged, Hammered Spade Door Stop				
C	CSHQG.1102.07	CSHQG.1103.07	Includes screws and a rubber bumper. Left and right stops sold separately.	Oil Rubbed Bronze
	CSHQG.1102.08	CSHQG.1103.08		Black
Hand Forged, Hammered Fleur-de-Lis Door Stop				
D	CSHQG.1202.07	CSHQG.1203.07	Includes screws and a rubber bumper. Left and right stops sold separately.	Oil Rubbed Bronze
	CSHQG.1202.08	CSHQG.1203.08		Black

NOTE: All items are non-stock. Ship direct from manufacturer.

BARN DOOR HARDWARE

4 Select Door Guides & Stops - Continued



Non-Hammered Spade Center Guide

Can be adjusted for various door thicknesses. Rear bracket and screws are included.

Item #	Finish
CSHQG1101NH07	Oil Rubbed Bronze
CSHQG1101NH08	Black



Non-Hammered Spade Door Stop

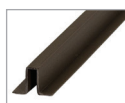
Includes screws and a rubber bumper. Left and right stops sold separately.

Item #	Finish
Left Stop	
CSHQG1102NH07	Oil Rubbed Bronze
CSHQG1102NH08	Black
Right Stop	
CSHQG1103NH07	Oil Rubbed Bronze
CSHQG1103NH08	Black



Door Floor Guides with Slotted Bottom

Item #	Type	Includes
CSHNT140308	Black Plastic	(2) 1" Screws & Anchors
CSHNT.1413.SS	Stainless Steel	(2) 1" Screws & Anchors
CSHQG.1303.FG.07	Brown Plastic	(2) 11/16" Screws



Plastic Channel

Use with the Brown Plastic Floor Guide. Can be trimmed to size.

Item #	Size
CSHQG.1313.CH3607	36"
CSHQG.1313.CH4807	48"



Non-Hammered Fleur-de-Lis Center Guide

Can be adjusted for various door thicknesses. Rear bracket and screws are included.

Item #	Finish
CSHQG1201NH07	Oil Rubbed Bronze
CSHQG1201NH08	Black



Non-Hammered Fleur-de-Lis Door Stop

Each stop includes screws and a rubber bumper. Left and right stops sold separately.

Item #	Finish
Left Stop	
CSHQG1202NH07	Oil Rubbed Bronze
CSHQG1202NH08	Black
Right Stop	
CSHQG1203NH07	Oil Rubbed Bronze
CSHQG1203NH08	Black



Roller Center Guide for Rough Door Surfaces

Rolling guide for doors with rough surfaces (reclaimed barn wood or rustic finishes). Constructed of heavy duty black Delron polymer, this guide also includes a mounting bolt.

Item #	Length	Color
CSHQG.1000.08	2-13/16"	Black



Steel Round Rail Door Stop

Stops the door from the top instead of the bottom. Mount onto the round rail. Includes a rubber ring to protect door hardware. Fasteners included.

Note: Additional center floor guides required to keep door rolling in a straight path.

Item #	Color
CSHNT.1404.02	Satin Nickel
CSHNT.1404.07	Oil Rubbed Bronze
CSHNT.1404.08	Black



Dome Door Stop, Non-Handed

Stops are interchangeable, can be used left or right stop.

Includes screws and a rubber bumper.

Item #	Finish
CSHQG.1305.DS.02	Satin Nickel
CSHQG1305DS07	Oil Rubbed Bronze
CSHQG.1305.DS.08	Black



Dome Center Guide

Can be adjusted for various door thicknesses. Rear bracket and screws are included.

Item #	Finish
CSHQG.1301.DG.02	Satin Nickel
CSHQG1301DG07	Oil Rubbed Bronze
CSHQG.1301.DG.08	Black

NOTE: All items are non-stock. Ship direct from manufacturer.

A BARN DOOR HARDWARE

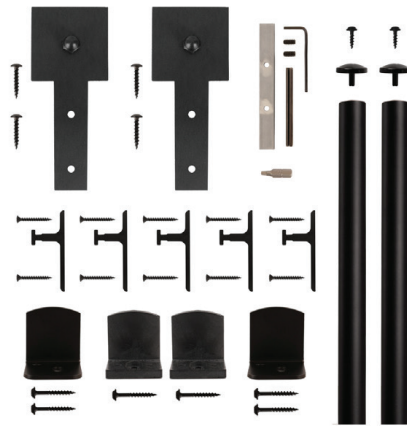
American Home Collection

This collection is based on our Quiet Glide Round Rail, but was designed with two goals: simplicity and savings! The American Home collection gives you the striking and practical design you are looking for, yet allows you to save some money by simplifying the kits.

The kits come in a beautiful black powder-coated finish, 6' rails, and a variety of strap styles that are ready to complement any decor.

Each Kit Includes:

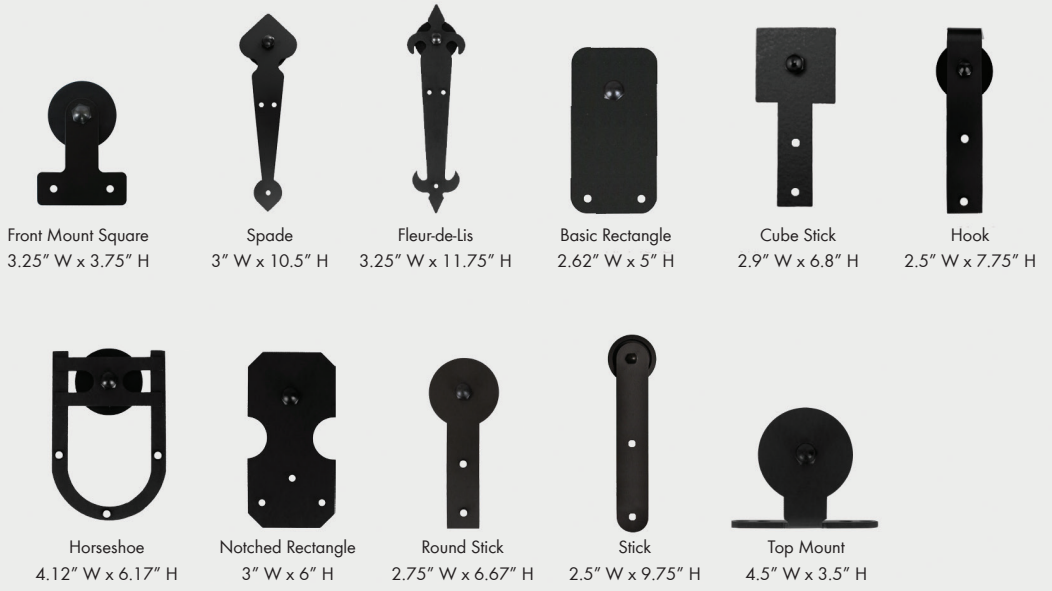
- 2 - Straps with Rollers
 - 2 - 3' Round Rail Segments
 - 2 - Rail End Caps
 - 1 - Round Rail Splice Kit
 - 5 - Short Round Rail Brackets
 - 2 - Floor Guides
 - 2 - Floor Stops
 - All necessary fasteners
- (kits only available in Black)



NOTE: All items are non-stock. Ship direct from manufacturer.



- Each kit sold as a packaged 6' kit
- Two 3' rail segments spliced together
- Package weighs 7.47 lbs.
- Compatible for doors up to 1-5/8" thick
- Max. weight capacity is 150 lbs.
- Low-cost shipping via UPS or FedEx



American Home Collection Kit, Black

Item #	Strap Style
CSHQG.1310E04086S	Front Mount Square
CSHQG.1110ENH086S	Spade
CSHQG.1210ENH086S	Fleur-de-Lis
CSHQG.1310EBR086S	Basic Rectangle
CSHQG.1310ECS086S	Cube Stick
CSHQG.1310EHK086S	Hook

Item #	Strap Style
CSHQG.1310EHS086S	Horseshoe
CSHQG.1310ENR086S	Notched Rectangle
CSHQG.1310ERS086S	Round Stick
CSHQG.1310EST086S	Stick
CSHQG.1310ETM086S	Top Mount

BARN DOOR HARDWARE

Round Rail Bypassing Hardware

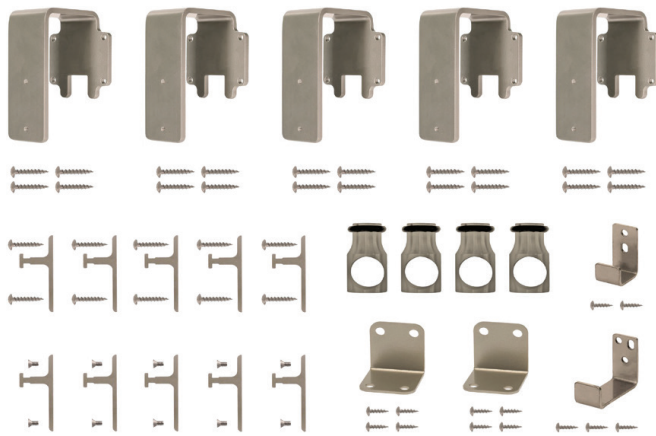
Introducing the perfect way to install a bypassing door using either our Quiet Glide Round Rail or American Home collection rolling barn door kits! Each kit includes everything you need to combine two sets of rolling barn door hardware into a beautiful and impressive bypassing door.

Please note that the barn door hardware kits themselves are sold separately from bypassing hardware kits.



Compatible with both the Quiet Glide Round Rail and the American Home kits.

Round Rail Bypassing Hardware Kit



Round Rail Bypassing Hardware Add-On Kit

- Available in three finishes
- Heavy Duty 1/4" Steel
- Overall Dimensions: 5-5/8"H x 3-1/4"D x 3-1/4"W



Kit Includes:

- 5 - Bypassing Brackets
- 5 - Rail Brackets w/ Long Screws
- 5 - Rail Brackets w/ Short Screws
- 4 - Steel Door Stoppers
- 1 - Wall-Mounted Guide
- 1 - Floor-Mounted Guide
- 2 - Stop Slots
- All necessary fasteners

Item #	Finish
CSHQG.1312.01.02	Satin Nickel
CSHQG.1312.01.07	Oil Rubbed Bronze
CSHQG.1312.01.08	Black

NOTE: All items are non-stock. Ship direct from manufacturer.



A
B
C
D
E
F
G
H
I
J
K
L
M
N
O
P
Q
R
S
T
U
V
W
X
Y

A BARN DOOR HARDWARE



Heavy Duty Kits

Want that authentic, heavy duty barn door look and feel on an interior door? This is the hardware you're looking for.



This kit is heavy duty in more than just name and appearance with large metal wheels and a sturdy flat rail, this hardware has a max recommended wight capacity of 550 lbs! It's the perfect match for that heavy rustic door that would make such a beautiful addition to your home.



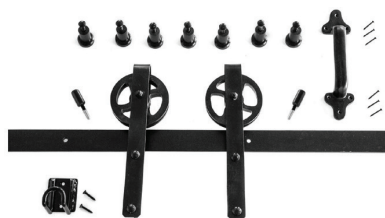
Heavy Duty Large Horseshoe Strap Kit

- Max. Door Thickness: 2-3/4"
- Max. Loading Weight: 500 lbs.

Includes:

- 2 - Horseshoe Straps
- 1 - 8' Flat Rail
- 7 - Flat Rail Mounting Brackets
- 2 - Door Stops
- 1 - Iron Heritage Handle
- All necessary fasteners

Item #	Finish
CSHHPIDHP1000	Black



Heavy Duty Hook Strap Kit

- Max. Door Thickness: 2-3/4"
- Max. Loading Weight: 500 lbs.

Includes:

- 2 - Hook Straps
- 1 - 8' Flat Rail
- 7 - Flat Rail Mounting Brackets
- 2 - Door Stops
- 1 - Iron Heritage Handle
- All necessary fasteners

Item #	Finish
CSHHPIDHP2000	Black



Heavy Duty Mini Horseshoe Strap Kit

- Max. Door Thickness: 2-3/4"
- Max. Loading Weight: 300 lbs.

Includes:

- 2 - Mini Horseshoe Straps
- 1 - 8' Flat Rail
- 7 - Flat Rail Mounting Brackets
- 2 - Door Stops
- 1 - Iron Heritage Handle
- All necessary fasteners

Item #	Finish
CSHHPIDHP4000KS	Black



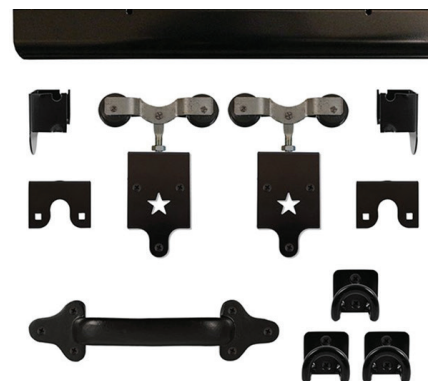
Heavy Duty Mini Hook Strap Kit

- Max. Door Thickness: 2-3/4"
- Max. Loading Weight: 300 lbs.

Includes:

- 2 - Mini Hook Straps
- 1 - 8' Flat Rail
- 7 - Flat Rail Mounting Brackets
- 2 - Door Stops
- 1 - Iron Heritage Handle
- All necessary fasteners

Item #	Finish
CSHHPIDHP5000KS	Black



Heavy Duty Star Trolley Kit Kit

- Max. Door Thickness: 2-1/8"
- Max. Loading Weight: 500 lbs.

Includes:

- 2 - Star Drop Trolleys
- 1 - 8' EZ-Track Channel
- 7 - EZ-Track Mounting Screws
- 2 - Door Stops
- 1 - Iron Heritage Handle
- All necessary fasteners

Item #	Finish
CSHHPIDHP3000	Black

An additional glossy black handle to go along with Heavy Duty

- 2.75"W x 2.5"D x 11"H
- Weight: 2 lbs.

Item #
CSHHP.IDHP-3009



NOTE: All items are non-stock. Ship direct from manufacturer.

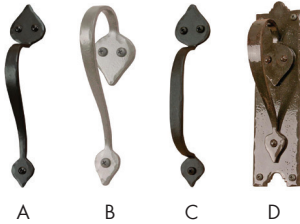
BARN DOOR HARDWARE

Handles, Pulls and Latches

Personalize your barn door to perfectly fit your home with our wide variety of handles, pulls, and latches! Whether you want an understated recessed pull, an elegant fleur-de-lis handle, or even a heavy duty industrial pipe handle, we have the hardware to suit your style. Don't forget to check out our latch and strike plate set—a perfect privacy addition for bedrooms!



Hand-Forged Iron Door Handle



	Item #	Finish
A	CSHQG11990102	Satin Nickel
	CSHQG11990107	Oil Rubbed Bronze
	CSHQG11990108	Black
B	CSHQG11990202	Satin Nickel
	CSHQG11990207	Oil Rubbed Bronze
	CSHQG11990208	Black
C	CSHQG11990302	Satin Nickel
	CSHQG11990307	Oil Rubbed Bronze
	CSHQG11990308	Black
D	CSHQG11990402	Satin Nickel
	CSHQG11990407	Oil Rubbed Bronze
	CSHQG11990408	Black

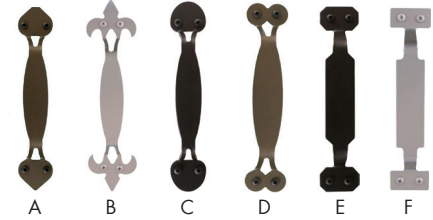
Solid Brass Door Pull



Measures 6" H with 1-3/4" projection. Screws are included.

Item #	Finish
CSHDA.WP27U15	Satin Nickel
CSHDA.WP27U10B	Oil Rubbed Bronze
CSHDA.WP27U19	Black

Laser-Cut Steel Handles



	Item #	Finish
A	CSHQG.1199.05.02	Satin Nickel
	CSHQG.1199.05.07	Oil Rubbed Bronze
	CSHQG.1199.05.08	Black
B	CSHQG.1299.01.02	Satin Nickel
	CSHQG.1299.01.07	Oil Rubbed Bronze
	CSHQG.1299.01.08	Black
C	CSHQG.1399.01.02	Satin Nickel
	CSHQG.1399.01.07	Oil Rubbed Bronze
	CSHQG.1399.01.08	Black
D	CSHQG.1399.02.02	Satin Nickel
	CSHQG.1399.02.07	Oil Rubbed Bronze
	CSHQG.1399.02.08	Black
E	CSHQG.1399.03.02	Satin Nickel
	CSHQG.1399.03.07	Oil Rubbed Bronze
	CSHQG.1399.03.08	Black
F	CSHQG.1399.04.02	Satin Nickel
	CSHQG.1399.04.07	Oil Rubbed Bronze
	CSHQG.1399.04.08	Black

Recessed Flush Pull

Ideal for use on the inside of rolling barn doors. Each pull comes with necessary screws. Use straight router bits to create a clean recess.



Item #	Finish
A - 7" x 1-7/8" x 7/16"	
CSHDA.FP7178U15	Satin Nickel
CSHDA.FP7178U10B	Oil Rubbed Bronze
CSHDA.FP7178U19	Black
B - 4" x 1-3/4" x 7/16"	
CSHDA.FP4134U15	Satin Nickel
CSHDA.FP4134U10B	Oil Rubbed Bronze
CSHDA.FP4134U19	Black

Latch & Strike Plate Set To Lock Doors



A - Traditional B - Heavy Duty

Latch your rolling barn door from the inside. Screws are included.

	Item #	Finish
A	CSHQG13070102	Satin Nickel
	CSHQG13070107	Oil Rubbed Bronze
	CSHQG13070108	Black
B	CSHNT.1479.01.SS	Satin Nickel

Industrial Collection Pipe Handle



Heavy duty steel with beautiful powder coat finish. Measures 13" x 3-1/2" x 3". Mounting hardware included.

	Item #	Finish
A	CSH52.1399.01.02	Satin Nickel
B	CSH52.1399.01.07	Oil Rubbed Bronze
C	CSH52.1399.01.08	Black

NOTE: All items are non-stock. Ship direct from manufacturer.

A
B
C
D
E
F
G
H
I
J
K
L
M
N
O
P
Q
R
S
T
U
V
W
X
Y

BARN DOOR HARDWARE



This application uses 2 Large Spoke Wheel Hook Strap Kits with 5 Bypass Door Brackets

Designer's Collection

We're excited to introduce the CSH Designer's Collection Rolling Door Kit—our newest solution for the cost-conscious buyer!

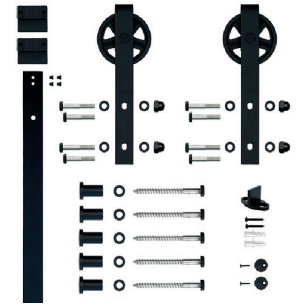
The black powder-coated steel hardware has a versatile look that is perfect for any interior space and it's sturdy enough to support a loading weight of up to 220 lbs.



Each Designer's Collection Hook Strap

Kit Includes:

- 2 - Straps w/ Rollers
- 1 - Floor Center Guide
- 1 - 78 3/4" Flat Rail
- All fasteners
- 2 - Rail Stops
- 2 - Anti-Jump Blocks
- 5 - Rail Brackets



Designer's Collection 2m Kits:

2m (78-3/4") Hook Strap Kit with Large Spoke Wheels, Black



One of the most affordable rolling door kits around! You can get this steel, powder-coated black kit for your 32" or 36" door openings. For use with doors measuring between 1-3/8" and 1-3/4" thick. Maximum weight is 220 lbs.

Item #	Roller Size
CSHNT.1400.08W.08	4-3/4"



2m (78-3/4") Hook Strap Kit with Small Wheels

Roller Size: 2-3/4"

Customize your door's style with one of our newest flat rail kits! For use with doors measuring between 1-3/8" and 1-3/4" thick. All major components and fasteners are finished in its corresponding color. Fits 32" and 36" openings. Maximum weight is 220 lbs.

Item #	Finish
CSHNT.1400.09W.07	Oil Rub Bronze
CSHNT.1400.09W.08	Black

Designer's Collection Accessories

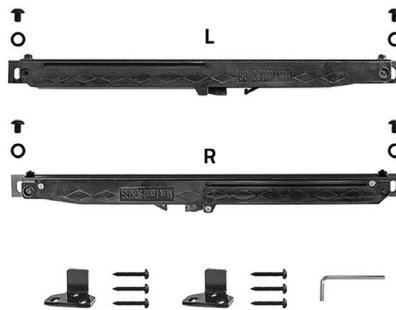
Steel Bypass Door Bracket Buy 5 For A Complete Set



Compatible with any Designer's Collection door kit. For a complete bypass set for a Designer's Collection kit, you must purchase 5 bypass door brackets. Fasteners are included.

Item #	Finish
CSHNT.1423.08	Black

Designer's Collection Soft-Close Mechanism Kit



Make your door's motion extra smooth and quiet with this soft-close mechanism kit! Purchase one kit for each Designer's Collection kit.

- Includes:**
- 2 - Soft-close mechanisms (L + R)
 - 2 - Actuators left and right mechanisms
 - All required fasteners.

Item #	Finish
CSHNT.1424.08	Black



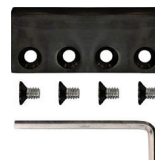
Steel Flat Rail Door Stop

This steel stop comes with soft rubber linings to better adhere to the rail. Compatible with the Large Spoke Wheel kit. Sold as each. Fasteners are included.

Fasteners are included.

Item #	Finish
CSHNT.1420.08	Black

Steel Flat Rail Connector Kit



Used to join flat rails together. Compatible with any Designer's Collection kit. Screws and Allen wrench are included.

Item #	Finish
CSHNT.1419.08	Black

Floor Guide for Doors with a Slotted Bottom



Item #	Finish
CSHNT140308	Black Plastic
CSHQG.1303.FG.07	Brown Plastic

Plastic Channel

Use with the Brown Plastic Floor Guide. Protects the door from wear and tear. Trim to size.



Item #	Size
CSHQG.1313.CH3607	36"
CSHQG.1313.CH4807	48"

NOTE: All items are non-stock. Ship direct from manufacturer.

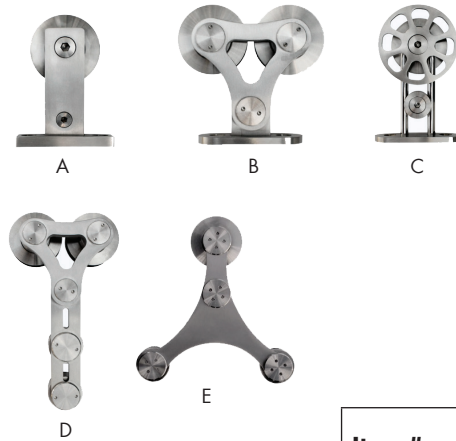
BARN DOOR HARDWARE

Stainless Steel Kits



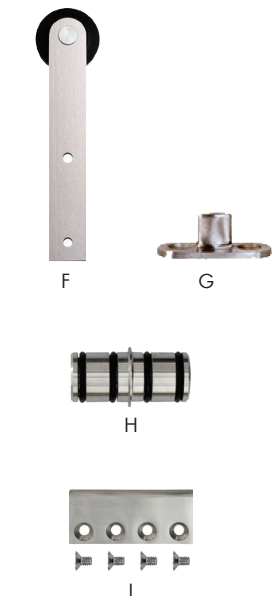
Each Stainless Steel Round Rail Kit

- Includes:**
 2 - Straps with Rollers
 1 - 78-3/4" Flat Rail Segment
 2 - Rail-Mounted Door Stops
 2 - Screw-On End Caps
 4 - Disc Mounting Brackets
 1 - Floor Center Guide
 All necessary fasteners



Each Stainless Steel Flat Rail Kit

- Includes:**
 2 - Straps with Rollers
 1 - 72" or 96" Flat Rail Segment
 2 - Flat Rail Door Stops
 5 - Flat Rail Mounting Brackets
 2 - Anti-Jump Blocks
 1 - Floor Center Guide
 All necessary fasteners



Item #	Rail Length	Description	Max. Door Thickness	Max. Weight
Stainless Steel Round Rail Kits				
A	CSHNT140001WSS	78" Top Mount	2-5/8"	200 lb.
	CSHNT140001W96SS	96" For use with wood doors		
B	CSHNT140002WSS	78" Top Mount, Dual Wheel	2-5/8"	200 lb.
	CSHNT140002W96SS	96" For use with wood doors		
C	CSHNT140004WSS	78" Top Mount Spoke Wheel	2-5/8"	200 lb.
	CSHNT140004W96SS	96" For use with wood doors		
D	CSHNT140006WGSS	78" Front Mount Dual Wheel	1-9/16" Wood, 12mm Glass	240 lb.
E	CSHNT140007WGSS	78" Front Mount Triangle	1-9/16" Wood, 12mm Glass	220 lb.
Stainless Steel Flat Rail Kits				
F	CSHNT140003WSS	78" Front Mount Stick	1-5/8"	220 lb.
Stainless Steel Accessories				
G	CSHNT.1413.SS	Stainless Steel Floor Guide for wood doors		
H	CSHNT1405SS	Round Rail Connector for joining round rails together		
I	CSHNT1419SS	Flat Rail Connector for joining flat rails together		

NOTE: All items are non-stock. Ship direct from manufacturer.

A
B
C
D
E
F
G
H
I
J
K
L
M
N
O
P
Q
R
S
T
U
V
W
X
Y

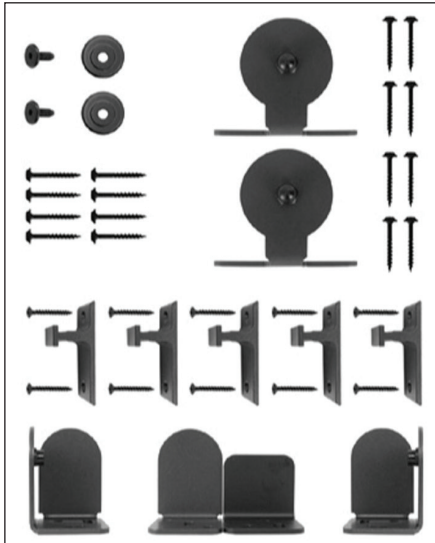
A BARN DOOR HARDWARE



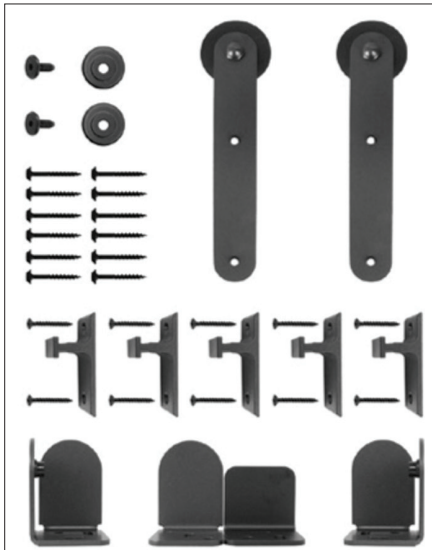
KNAFE & VOGT.

Barn Door Hardware Kits

- Top Mount and Face Mount Kits
- Complete, easy-to-install kits include carriers, stops, guide and all fasteners
- Aluminum round rails sold separately (below)
- All tracks, rails, and components fabricated from sleek, durable, powder-coated aluminum
- Supports doors up to 250 lbs.
- Black Finish



A



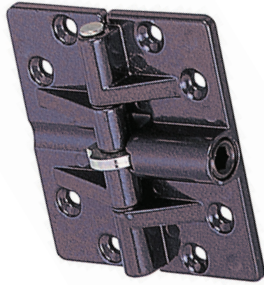
B



C

	Item #	Description	Kit Includes
Barn Door Hardware Kits (Round Rail Sold Separately Below)			
A	KVRT-TMBK-06	Monte Carlo Series, Top Mount, Black Finish (Round Rail Sold Separately Below)	(2) Carriers, (1) Floor Guide Set, (2) Door Stops, (5) Brackets, (1) End Stop Kit & Fasteners
B	KVRT-STBK-06	Macau Series, Face Mount, Black Finish (Round Rail Sold Separately Below)	(2) Carriers, (1) Floor Guide Set, (2) Door Stops, (5) Brackets, (1) End Stop Kit & Fasteners
Aluminum Round Rail			
C	KVRTBK-06-A	72" Aluminum Round Rail, Black Finish	
	KVRTBK-08-A	96" Aluminum Round Rail, Black Finish	

BI-FOLD HINGES



Bi-Fold Hinge, Double Locking



- Automatically locks flat in the open position so the door remains straight and can engage magnetic or friction catches when the doors are folded to eliminate "bounce-back"
- Locks at 0°, 180° and 135°
- Made of die-cast metal with a nylon and brass plated steel spring mechanism
- Countersunk for #6 screws
- Sold per each

Item #	Dimensions	Finish
SYHS8303	2-1/2"W x 2-9/16"H x 1/8"Thick	Dark Brown Powder Coated



Bi-Fold Hinge



- Built-in stop
- Spring action with various tensions
- Zamak material within a plastic housing
- Sold per each

Item #	Size	Finish
FUT21050	2-3/8"L x 2-9/16"W	Black

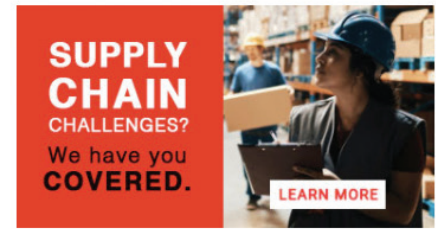
Visit us on our website: wurthlac.com





Shop By Category | Home

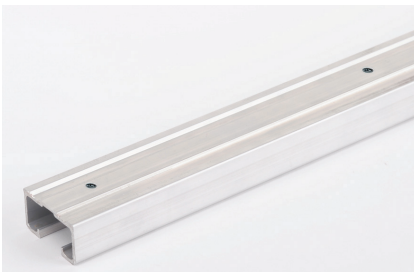
LEAVE THE DUST BEHIND WITH 3M XTRACT™ ABRASIVES!



A
B
C
D
E
F
G
H
I
J
K
L
M
N
O
P
Q
R
S
T
U
V
W
X
Y

A BI-FOLD DOOR HARDWARE SET, 25 LB. CAPACITY

B
C
D
E
F
G
H
I
J
K
L
M
N
O
P
Q
R
S
T
U
V
W
X
Y



Grant Bi-fold 25 Light Duty Bi-fold Door Sets

- Up to 25 lbs. per panel
- Application: Bi-Fold Doors
- For door thickness 3/4"W up to 1-3/4"W, Top Mount, Adjustable
- Unique stay open - stay close design keeps door in place
- Spring plunger glides smoothly & easily while staying securely in place
- Doors fold flat for better access
- Floor cam functions as marking template ensuring top and bottom holes are aligned, no measuring needed
- No bottom guide assistance required
- Conforms to ANSI/BHMA standards, Grade 1



Grant Bi-fold 25 Hardware Set 2-Door 1-Way for Two Door Installation, One Way

Hardware set includes:

- (1) Pivot Plate Assembly
- (2) Plunger Spring Assembly
- (1) Floor Cam Assembly
- (1) Bi-Fold Hinge Set 2646 necessary screws installation instructions

Item #
HET1134346

Track Only, Aluminum Extruded, Pre-Drilled Holes

Screws not included - recommend #10 Flat Head

Item #	Size
HET1134406	36" Length
HET1134399	48" Length
HET1134400	60" Length
HET1134401	72" Length
HET1134402	96" Length
HET1134403	120" Length
HET1134404	144" Length
HET1134405	192" Length

BI-FOLD DOOR HARDWARE SET, 50 LB. CAPACITY



A
B
C
D
E
F
G
H
I
J
K
L
M
N
O
P
Q
R
S
T
U
V
W
X
Y

**Grant Bi-fold 50
Light Duty Bi-fold Door Sets**

- Up to 50 lbs. per panel, Multi-Fold Up to 30 lbs. per panel
- Application: Bi-Fold Doors
- For door thickness 3/4"W up to 1-3/4"W, Top Mount, Adjustable
- Unique stay open - stay close design keeps door in place
- Ball bearing carrier with 4-wheels for smooth and long lasting operation
- Doors fold flat for better access
- Simple & easy to install, floor cam functions as marking template ensuring top and bottom holes are aligned, no measuring needed
- No bottom guide assistance required
- Conforms to ANSI/BHMA standards, Grade 1

**Grant Bi-fold 50 Hardware Set 2-Door 1-Way for
Two Door Installation, One Way**

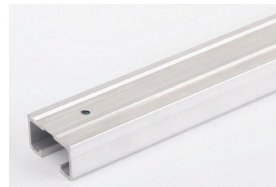
Hardware set includes:

- (1) Pivot Plate Assembly
- (1) Carrier 50E w/Quick Release Top Plate
- (1) Plunger Spring Assembly
- (1) Floor Cam Assembly
- (1) Bi-Fold Hinge Set 2646 necessary screws Installation Instructions



Item #
HET1134347

Track Only, Aluminum Extruded, Pre-Drilled Holes
Screws not included - recommend #10 Flat Head



Item #	Size
HET1134406	36" Length
HET1134399	48" Length
HET1134400	60" Length
HET1134401	72" Length
HET1134402	96" Length
HET1134403	120" Length
HET1134404	144" Length
HET1134405	192" Length

Additional Parts for Multi-Fold Doors

For each additional door, it is required to buy (1) Carrier (HET1134322) and (1) Bi-Fold Hinge Set (HET1134407)

Grant Carrier 50E with Top Plate

- Four Ball Bearing Wheels
- Quick Release Top Plate
- Screws Included



Item #
HET1134322

Bi-fold Hinge Set

- Contains: Three (3) 2646 Hinges
- Steel, zinc plated, mortised
- Screws Included



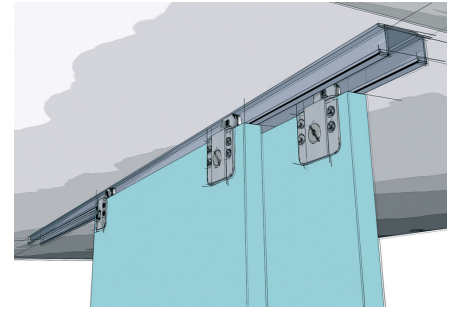
Item #
HET1134407

A SLIDING DOOR HARDWARE KITS & COMPONENTS, 50 LB. CAPACITY

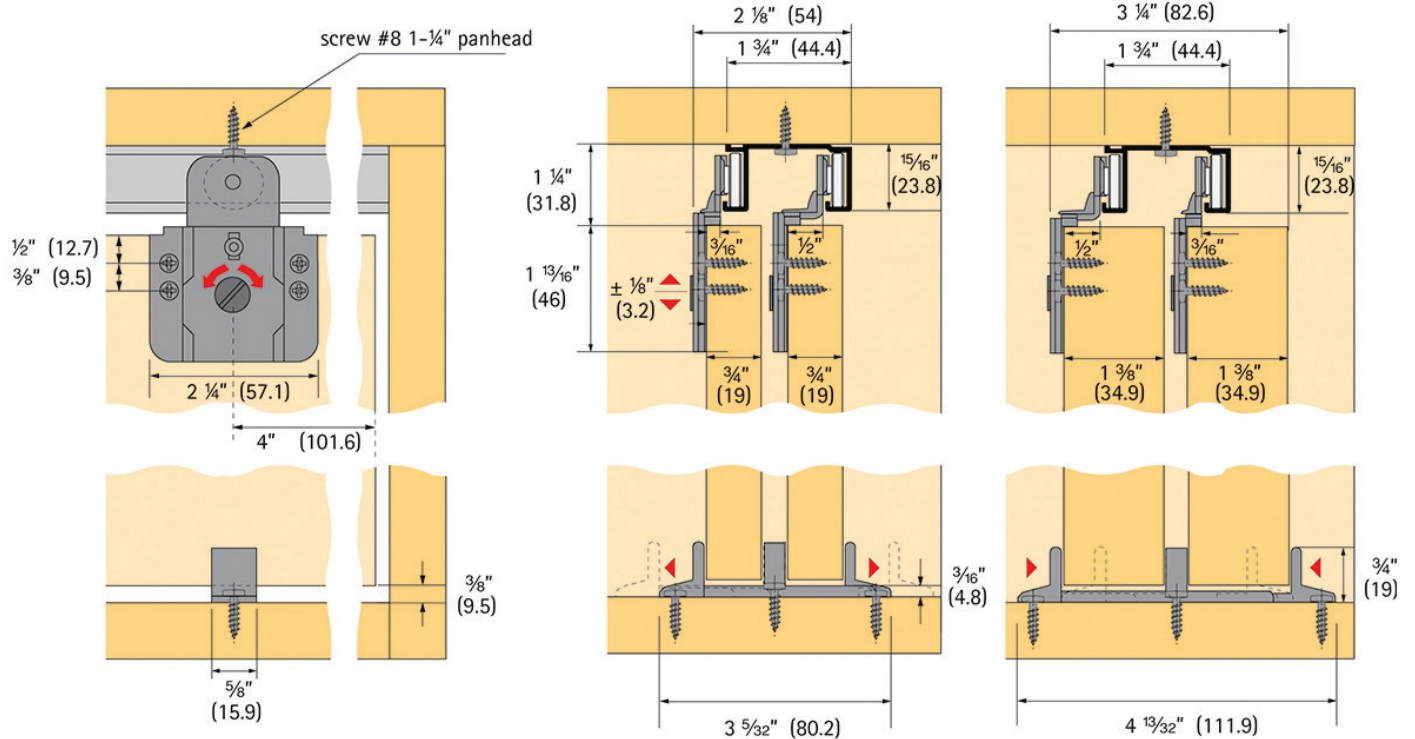
B 3/4" or 1-3/8" Thick By-Pass Door Hardware Kits & Components



- Hettich's economy line of medium duty by-pass door sliding hardware
- Applications include doors between rooms, closet doors, cabinets, storage walls, and partitions
- For 3/4" and 1-3/8" thick doors weighing up to 50 lbs with +/-1/8" vertical adjustment and headroom 1-1/8" min. to 1-3/8" max.
- Side mount single ball-bearing wheel carrier guarantees a smooth, quiet, long lasting performance
- Carriers have a set of mounting holes; ideal for hollow core doors
- Easy-turn cam vertical adjustment without having to remove carrier screws
- Dust free track design
- Quick door hanging by tilting pre-mounted hardware onto track profile
- Available in complete hardware kits (3 track lengths: 48", 72" and 96") or individual components
- Made in the USA



Packing & Sold In: As shown on next page.



SLIDING DOOR HARDWARE KITS & COMPONENTS, 50 LB. CAPACITY

3/4" or 1-3/8" Thick By-Pass Door Hardware Kits

Sliding Door Kits includes:

- Aluminum Track 48", 72" and 96"L for 2 Doors:
- (2) Single Wheel Carrier
- (2) Single Wheel Carrier
- (1) Floor Guide

Door Hardware Kit Only includes:

- (2) Single Wheel Carrier
- (2) Single Wheel Carrier
- (1) Floor Guide
- Screws & instructions (Does not include Aluminum Track.)



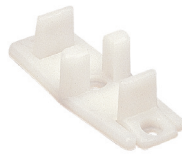
Sliding Door Complete Kits



3/16" Offset Single Wheel Carrier



1/2" Offset Single Wheel Carrier



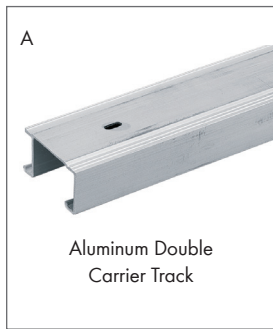
Nylon Floor Guide



Aluminum Double Carrier Track

Item #	Track Lengths
Sliding Door Kit	
HET1133318	48" L
HET1133320	72" L
HET1133321	96" L
Door Hardware Kit Only	
HET1133317	Track not included

3/4" or 1-3/8" Thick By-Pass Door Hardware Components (sold individually)



Aluminum Double Carrier Track



3/16" Offset Single Wheel Carrier



1/2" Offset Single Wheel Carrier



Nylon Floor Guide



Item #	Dimensions	Component Description	Finish	
Double Carrier Tracks, Recommend #8 x 1-1/4" Panhead Screws (Screws not included)				
A	HET50466	1-3/4"W x 15/16"H x 48"L	4' Long Extruded Aluminum Double Carrier Track	Aluminum
	HET50468	1-3/4"W x 15/16"H x 72"L	6' Long Extruded Aluminum Double Carrier Track	Aluminum
	HET50469	1-3/4"W x 15/16"H x 96"L	8' Long Extruded Aluminum Double Carrier Track	Aluminum
	HET50470	1-3/4"W x 15/16"H x 120"L	10' Long Extruded Aluminum Double Carrier Track	Aluminum
	HET50471	1-3/4"W x 15/16"H x 144"L	12' Long Extruded Aluminum Double Carrier Track	Aluminum
	HET50472	1-3/4"W x 15/16"H x 192"L	16' Long Extruded Aluminum Double Carrier Track	Aluminum
Steel Carriers – Single Wheel, Side Mounting – Includes Screws				
B	HET1133333	1-13/16"W x 2-13/16"H x 2-1/4"L	3/16" Offset, Adj. Ball Bearing Nylon Wheel, w/Dual Mounting Holes	Zinc Plated
C	HET1133334	1-13/16"W x 2-13/16"H x 2-1/4"L	1/2" Offset, Adj. Ball Bearing Nylon Wheel, w/Dual Mounting Holes	Zinc Plated
Nylon Floor Guide – Screws Included				
D	HET50102	3-5/32" or 4-13/32"W x 1-1/8"H	Floor Guide is adjustable to fit 3/4" & 1-3/8" Thick Doors	White

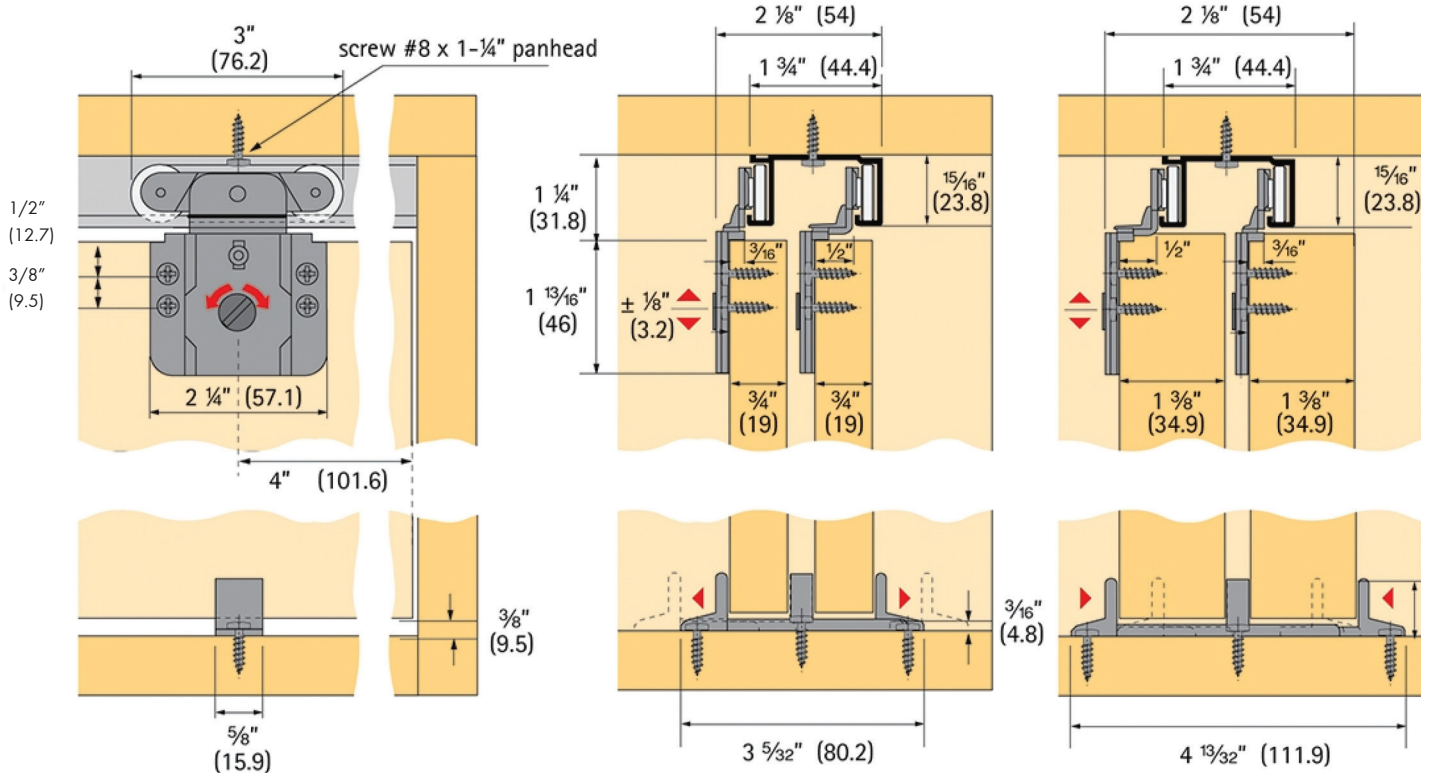
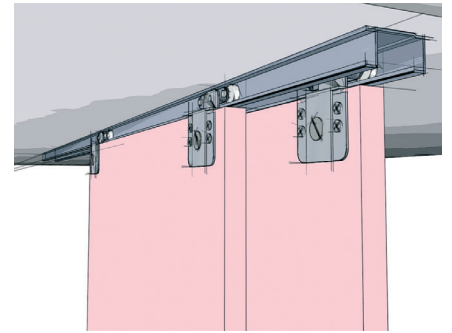
A SLIDING DOOR HARDWARE KITS & COMPONENTS, 75 LB. CAPACITY

B 3/4" or 1-3/8" Thick By-Pass Door Hardware Kits & Components



- Hettich's economy line of medium duty by-pass door sliding hardware
- Applications include doors between rooms, closet doors, cabinets, storage walls, and partitions
- For 3/4" and 1-3/8" thick doors weighing up to 75 lbs with +/-1/8" vertical adjustment and headroom 1-1/8" min. to 1-3/8" max.
- Side mount double ball-bearing wheel carrier guarantees a smooth, quiet, long lasting performance
- Pivoting rocker arms ensure track-carrier contact
- Carriers have dual set of mounting holes; ideal for hollow core doors
- Easy-turn cam vertical adjustment without having to remove carrier screws
- Dust free track design
- Quick door hanging by tilting pre-mounted hardware onto track profile
- Available in complete hardware kits (with 48", 72" or 96" track lengths) or individual components

Packing & Sold In: As shown on next page.



SLIDING DOOR HARDWARE KITS & COMPONENTS, 75 LB. CAPACITY

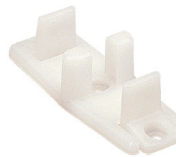
Sliding Door Complete Kits



3/16" Offset Double Wheel Carrier



1/2" Offset Double Wheel Carrier



Nylon Floor Guide



Aluminum Double Carrier Track

3/4" or 1-3/8" Thick By-Pass Door Hardware Kits

Sliding Door Kits includes:

Aluminum Track 48", 72" and 96"L for 2 Doors:

- (2) Single Wheel Carrier
- (2) Single Wheel Carrier
- (1) Floor Guide

Door Hardware Kit Only includes:

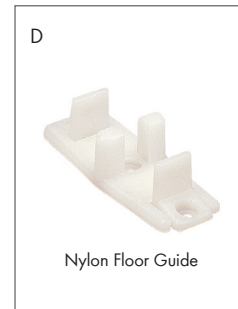
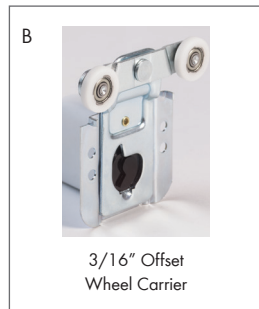
- (2) Single Wheel Carrier
- (2) Single Wheel Carrier
- (1) Floor Guide
- Screws & instructions
- (Does not include Aluminum Track.)



Item #	Track Lengths
Sliding Door Kits	
HET1133326	48" L
HET1133328	72" L
HET1133329	96" L

Item #	Description
Door Hardware Kit Only	
HET1133325	No Track Included

3/4" or 1-3/8" Thick By-Pass Door Hardware Components (Sold Individually)



Item #	Dimensions	Component Description	Finish	
Double Carrier Tracks – Recommend #8 x 1-1/4" Panhead Screws (Screws not included)				
A	HET50466	1-3/4"W x 15/16"H x 48"L	4' Long Extruded Aluminum Double Carrier Track	Aluminum
	HET1133327	1-3/4"W x 15/16"H x 60"L	5' Long Extruded Aluminum Double Carrier Track	Aluminum
	HET50468	1-3/4"W x 15/16"H x 72"L	6' Long Extruded Aluminum Double Carrier Track	Aluminum
	HET50469	1-3/4"W x 15/16"H x 96"L	8' Long Extruded Aluminum Double Carrier Track	Aluminum
	HET50470	1-3/4"W x 15/16"H x 120"L	10' Long Extruded Aluminum Double Carrier Track	Aluminum
	HET50471	1-3/4"W x 15/16"H x 144"L	12' Long Extruded Aluminum Double Carrier Track	Aluminum
	HET50472	1-3/4"W x 15/16"H x 192"L	16' Long Extruded Aluminum Double Carrier Track	Aluminum
Steel Carriers – Double Wheel, Side Mounting, Rocker Arms – Includes Screws				
B	HET1133336	3/16"W x 2-13/16"H x 2-3/4"L	3/16" Offset, Adj. Ball Bearing Wheel, w/Dual Mounting Holes	Zinc Plated
C	HET1133337	1/2"W x 2-13/16"H x 2-3/4"L	1/2" Offset, Adj. Ball Bearing Wheel, w/Dual Mounting Holes	Zinc Plated
Nylon Floor Guide – Screws Included				
D	HET50102	3-5/32" or 4-13/32"W x 1-1/8"H	Floor Guide is Adjustable to fit both 3/4" and 1-3/8" Thick Doors	White

A
B
C
D
E
F
G
H
I
J
K
L
M
N
O
P
Q
R
S
T
U
V
W
X
Y

A SLIDING DOOR HARDWARE KITS & COMPONENTS, 150 LB. CAPACITY

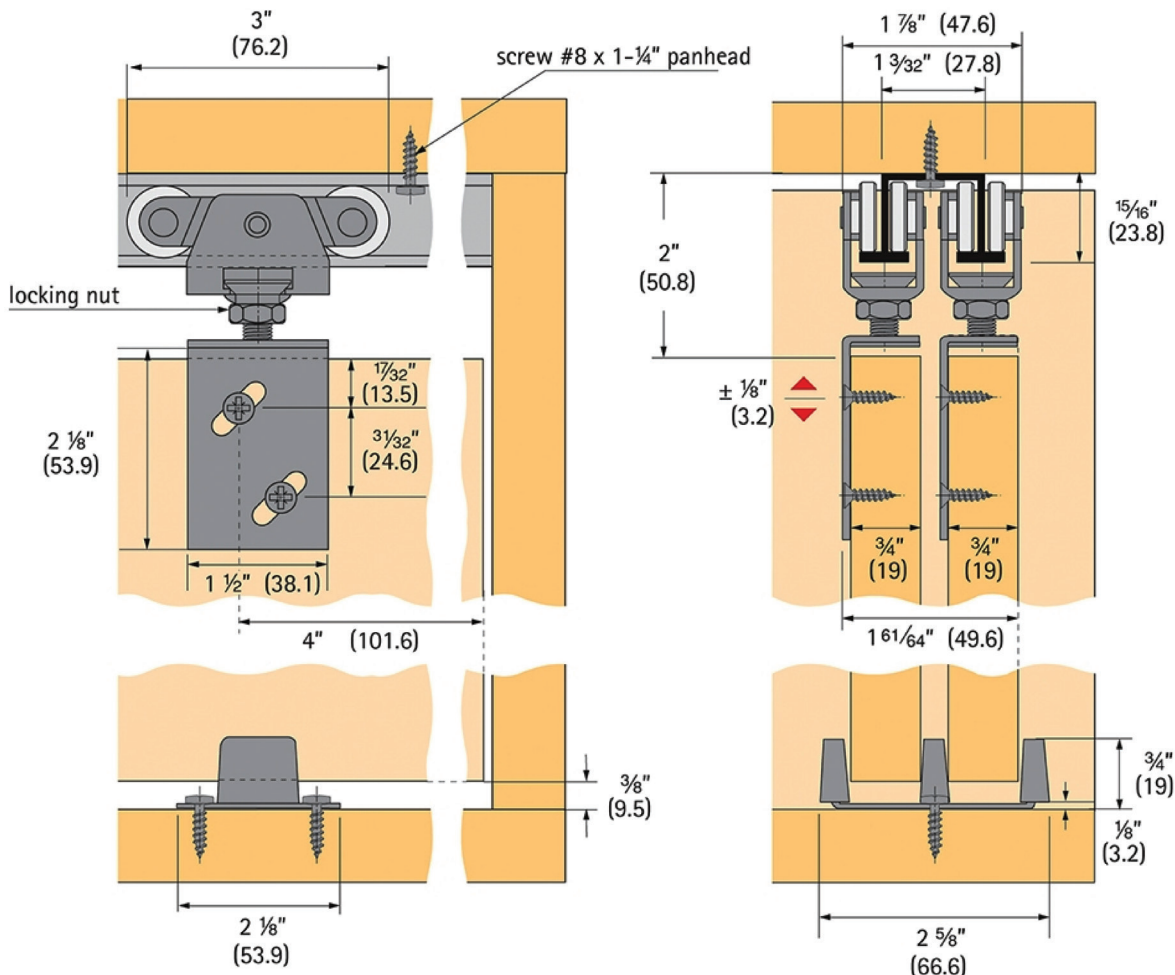
B 3/4" Thick By-Pass Door Hardware Kits & Components, Steel Apron Mounting



- Hettich's premium line of heavy duty by-pass door sliding hardware
- Applications include doors between rooms, closet doors, cabinets, storage walls, and partitions
- For 3/4" thick doors weighing up to 150 lbs with +/-1/8" vertical adjustment and headroom 1-7/8" minimum to 2-1/8" maximum
- Heavy duty aluminum double I-beam track with jump proof design
- Pivoting rocker arms ensure track-carrier contact
- Ball and socket suspension compensates for minor header misalignment
- Lock nut guarantees permanent positioning
- Serrations in apron permit vertical adjustment
- Side mount double ball-bearing wheel carrier guarantees a smooth, quiet, long lasting performance
- Conforms to ANSI/BHMA standards, Grade 1
- Available in complete hardware kits (with 48", 72" or 96" long tracks) or individual components



Packing & Sold In: As shown on next page.



SLIDING DOOR HARDWARE, 150 LB. CAPACITY

By-Pass Door Complete Kits



3/4" Thick By-Pass Door Hardware Kits

Sliding Door Kits includes:

- Aluminum Track 48", 72" and 96" L for 2 Doors
- (4) Ball Bearing Carriers
- (4) Offset Steel Apron
- (1) Floor Guide

Door Hardware Kit Only includes:

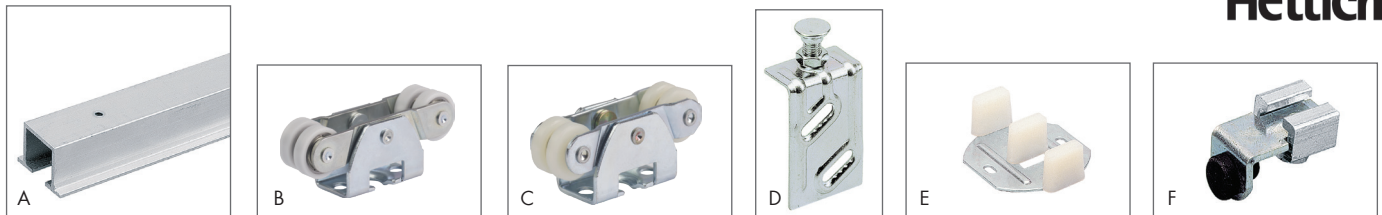
- (2) Single Wheel Carrier
- (2) Single Wheel Carrier
- (1) Floor Guide
- Includes screws & instructions
- (Does not include Aluminum Track.)



Item #	Track Lengths
Sliding Door Kits	
HET1133351	48" L
HET1133352	72" L
HET1133353	96" L

Item #	Description
Door Hardware Kit Only	
HET1133350	No Track Included

3/4" Thick By-Pass Door Hardware Components (Sold Individually)

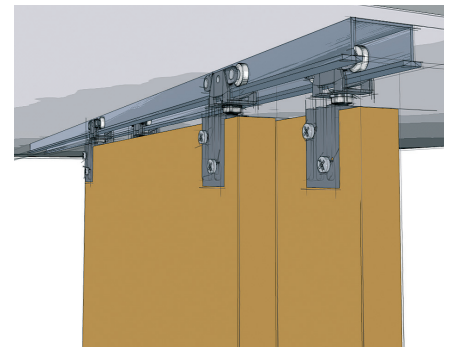


Item #	Dimensions	Component Description	Finish	
Double Carrier Tracks, Holes Every 11" - Recommend #8 x 1-1/4" Panhead Screws (Screws not included)				
A	HET50526	1-3/32"W x 15/16"H x 48"L	4' Long Extruded Aluminum Double Carrier Track	Aluminum
	HET50527	1-3/32"W x 15/16"H x 60"L	5' Long Extruded Aluminum Double Carrier Track	Aluminum
	HET50528	1-3/32"W x 15/16"H x 72"L	6' Long Extruded Aluminum Double Carrier Track	Aluminum
	HET50529	1-3/32"W x 15/16"H x 96"L	8' Long Extruded Aluminum Double Carrier Track	Aluminum
	HET50530	1-3/32"W x 15/16"H x 120"L	10' Long Extruded Aluminum Double Carrier Track	Aluminum
	HET50531	1-3/32"W x 15/16"H x 144"L	12' Long Extruded Aluminum Double Carrier Track	Aluminum
	HET50532	1-3/32"W x 15/16"H x 192"L	16' Long Extruded Aluminum Double Carrier Track	Aluminum
Steel Carriers – 4 Wheel				
B	HET1133339	1-3/16"W x 27/32"H x 2-3/4"L	(Included in sets) Ball Bearing Wheels, Up to 150 lbs/door	Zinc Plated
C	HET1133338	1-3/16"W x 27/32"H x 2-3/4"L	(Optional) Steel, Nylon wheels, Up to 100 lbs/door	Zinc Plated
Steel Apron – Used to Attach Door to Carrier				
D	HET50563	1-1/2"W x 2-57/64"H x 3/4" Offset	Hole Diameter: 25/32" Diameter x 3/8" Depth	Zinc Plated
Steel Floor Guide – Screws Included				
E	HET50103	2-5/8"W x 3/4"H x 2-1/8"L	Non-Adj. for 3/4" Doors w/Nylon covered steel uprights	Zinc Plated
Bumper Stop				
F	HET50561	7/8"W x 1-3/16"H x 1-19/32"L	Steel, track mounted with a rubber stop	Zinc Plated

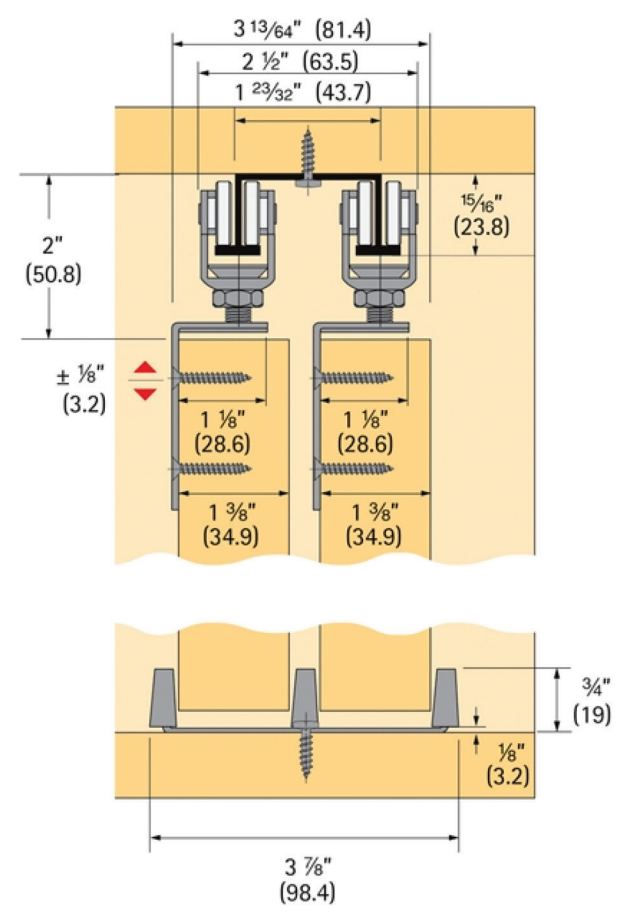
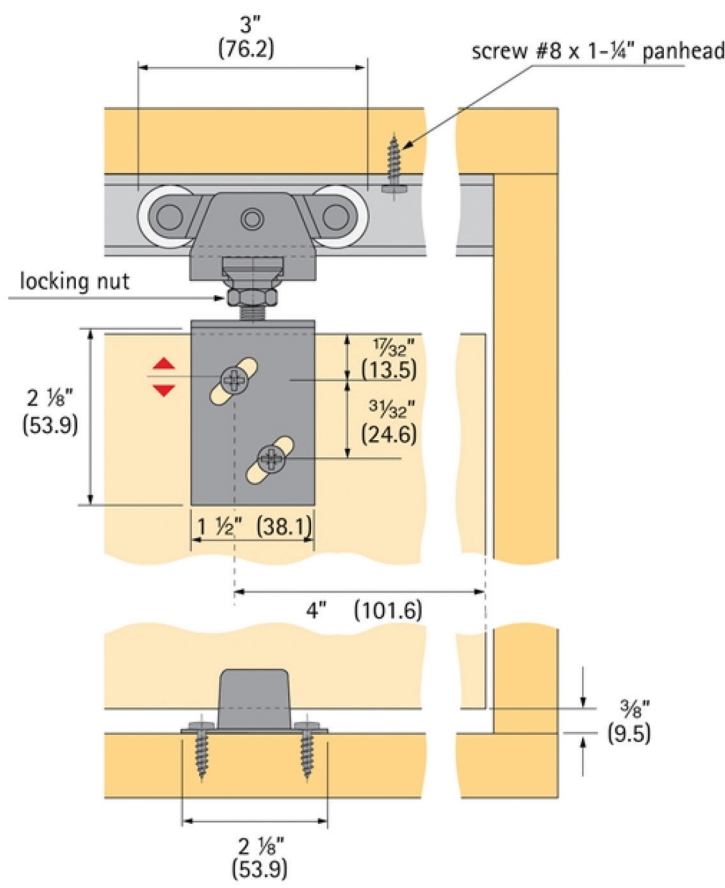
A SLIDING DOOR HARDWARE, 150 LB. CAPACITY

B 1-3/8" By-Pass Thick Door Hardware Kits & Components

- Hettich's premium line of medium duty by-pass door sliding hardware
- Applications include doors between rooms, closet doors, cabinets, storage walls, and partitions
- For 1-3/8" thick doors weighing up to 150 lbs with +/-1/8" vertical adjustment and headroom 1-7/8" minimum to 2-1/8" maximum
- Heavy duty aluminum double I-beam track has jump proof design
- Pivoting rocker arms ensure track-carrier contact
- Ball and socket suspension compensates for minor header misalignment
- Lock nut guarantees permanent positioning
- Serrations in apron permit vertical adjustment
- Side mount double ball-bearing wheel carrier guarantees a smooth, quiet and long lasting performance
- Conforms to ANSI/BHMA standards, Grade 1



Packing & Sold In: As shown on next page.



SLIDING DOOR HARDWARE, 150 LB. CAPACITY

By-Pass Door Complete Kits



Ball Bearing, 4-Wheel Carrier



1-1/8" Offset Steel Apron



Steel Floor Guide



Aluminum Double Carrier Track

1-3/8" Thick By-Pass Door Hardware Kits

Sliding Door Kits includes:

- Aluminum Track 48", 72" and 96"L for 2 Doors
- (4) Ball Bearing Carriers
- (4) Offset Steel Apron
- (1) Floor Guide

Door Hardware Kit Only includes:

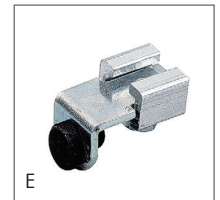
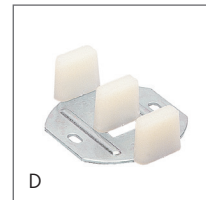
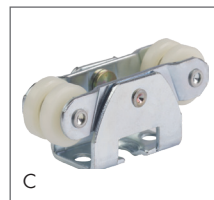
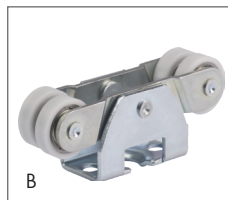
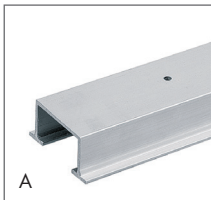
- (4) Ball Bearing Carriers
- (4) Offset Steel Apron
- (1) Floor Guide
- Includes screws & instructions
- (Does not include Aluminum Track.)



Item #	Track Lengths
Sliding Door Kits	
HET1133364	48" L
HET1133365	60" L
HET1133366	72" L
HET1133368	96" L

Item #	Description
Door Hardware Kit Only	
HET1133363	No Track Included

1-3/8" Thick By-Pass Door Hardware Components (Sold Individually)



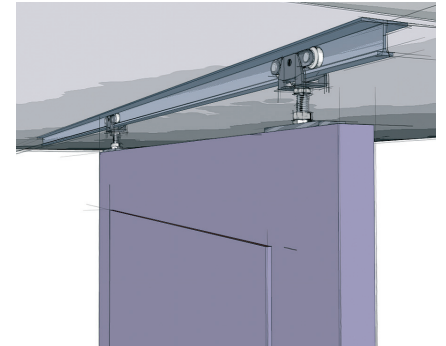
Item #	Dimensions	Description	Finish	
Double Carrier Tracks, Holes Every 11" - Screws not Included, Recommend #8 x 1-1/4" Panhead Screws				
A	HET50533	1-23/32"W x 15/16"H x 48"L	4' Long Extruded Aluminum Double Carrier Track	Aluminum
	HET50534	1-23/32"W x 15/16"H x 60"L	5' Long Extruded Aluminum Double Carrier Track	Aluminum
	HET50535	1-23/32"W x 15/16"H x 72"L	6' Long Extruded Aluminum DoubleCarrier Track	Aluminum
	HET50536	1-23/32"W x 15/16"H x 96"L	8' Long Extruded Aluminum Double Carrier Track	Aluminum
	HET50537	1-23/32"W x 15/16"H x 120"L	10' Long Extruded Aluminum Double Carrier Track	Aluminum
	HET50538	1-23/32"W x 15/16"H x 144"L	12' Long Extruded Aluminum Double Carrier Track	Aluminum
	HET50539	1-23/32"W x 15/16"H x 192"L	16' Long Extruded Aluminum Double Carrier Track	Aluminum
Steel Carriers – Four Wheel				
B	HET1133339	1-3/16"W x 27/32"H x 2-3/4"L	(Included in Sets), Ball Bearing Wheels, Up to 150 lbs/door	Zinc Plated
C	HET1133338	1-3/16"W x 27/32"H x 2-3/4"L	(Optional), Nylon wheels, Up to 100 lbs/door	Zinc Plated
Steel Floor Guide – Screws Included				
D	HET50104	2-1/2"W x 3/4"H x 3-7/8"L	For 1-3/8" Doors w/Nylon covered steel uprights	Zinc Plated
Bumper Stop				
E	HET50561	7/8"W x 1-3/16"H x 1-19/32"L	Steel, Track mounted with a rubber stop	Zinc Plated

A SLIDING DOOR HARDWARE, 150 LB. CAPACITY

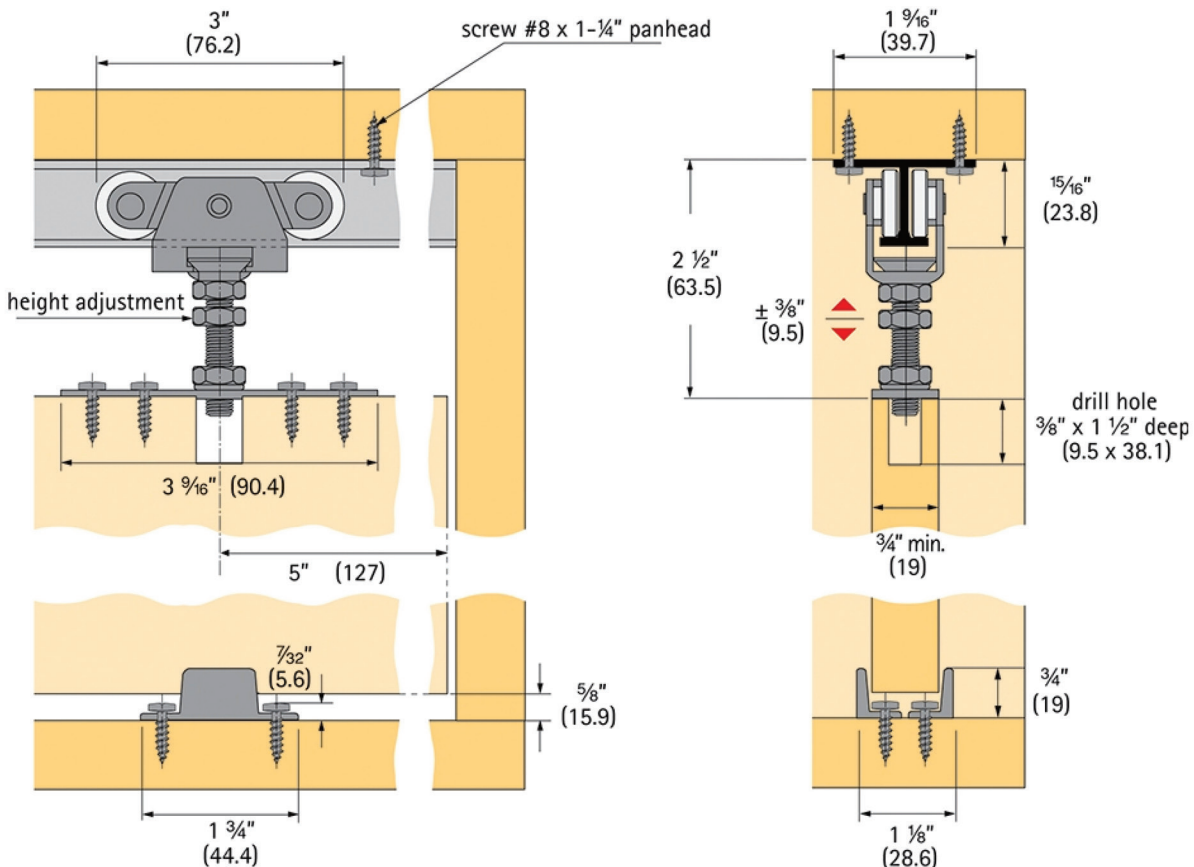
B 3/4" Thick Single Door Hardware Kits & Components, Top Plate Mounting



- Hettich's premium line of heavy duty joining door sliding hardware
- Applications include doors between rooms, closet doors, cabinets, storage walls, and partitions
- For 3/4" thick doors weighing up to 150 lbs with +/- 3/8" vertical adjustment and headroom 2-1/8" minimum to 2-7/8" maximum
- Heavy duty aluminum single I-beam track has jump proof design
- Pivoting rocker arms ensure track-carrier contact
- Ball and socket suspension compensates for minor header misalignment
- Lock nut guarantees permanent positioning
- Vertical adjustment + 3/8" (9.5 mm)
- Conforms to ANSI/BHMA standards, Grade 1
- Available in complete hardware kits (with 48", 60", 72" and 96" long tracks) or individual components



Packing & Sold In: As shown on next page.



SLIDING DOOR HARDWARE, 150 LB. CAPACITY



3/4" Thick Joining Door Hardware Kits

Sliding Door Kits includes:

- Aluminum Track 48", 60" 72", 96"L for 1 Door
- (2) Ball Bearing Carriers
- (2) Pendant Bolt Top Plates
- (1) Steel Floor Guide

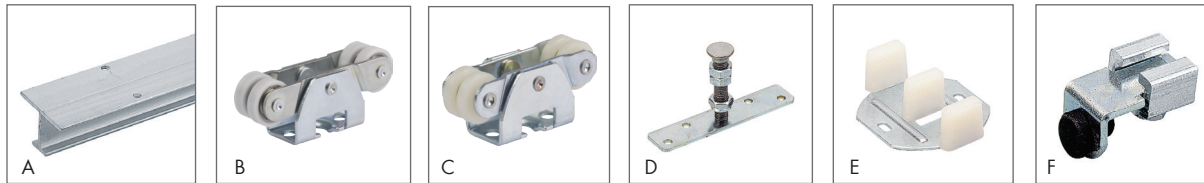
Door Hardware Kit Only includes:

- (4) Ball Bearing Carriers
- (4) Pendant Bolt Top Plates
- (1) Floor Guide
- Includes screws & instructions
- (Does not include Aluminum Track.)

Item #	Track Lengths
Complete Sliding Door Kits	
HET1133346	48" L
HET1133347	60" L
HET1133348	72" L
HET1133349	96" L

Item #	Description
Door Hardware Kit Only	
HET1133345	No Track Included, For 2 Doors

3/4" Thick Joining Door Hardware Components (Sold Individually)



Item #	Dimensions	Description	Finish	
Double Carrier Tracks, Holes at Every 11" - Screws not Included, Recommend #8 x 1-1/4" Panhead Screws				
A	HET50519	1-3/32"W x 15/16"H x 48"L	4' Long Extruded Aluminum Double "I" Beam Track	Aluminum
	HET50520	1-3/32"W x 15/16"H x 60"L	5' Long Extruded Aluminum Double "I" Beam Track	Aluminum
	HET50521	1-3/32"W x 15/16"H x 72"L	6' Long Extruded Aluminum Double "I" Beam Track	Aluminum
	HET50522	1-3/32"W x 15/16"H x 96"L	8' Long Extruded Aluminum Double "I" Beam Track	Aluminum
	HET50523	1-3/32"W x 15/16"H x 120"L	10' Long Extruded Aluminum Double "I" Beam Track	Aluminum
	HET50524	1-3/32"W x 15/16"H x 144"L	12' Long Extruded Aluminum Double "I" Beam Track	Aluminum
	HET50525	1-3/32"W x 15/16"H x 192"L	16' Long Extruded Aluminum Double "I" Beam Track	Aluminum
Steel Carriers – Four Wheel				
B	HET1133339	1-3/16"W x 27/32"H x 2-3/4"L	(Included in sets), Ball Bearing Wheels, Up to 150 lbs/door	Zinc Plated
C	HET1133338	1-3/16"W x 27/32"H x 2-3/4"L	(Optional), Nylon wheels, Up to 100 lbs/door	Zinc Plated
Steel Pendant Bolt With Top Plate – Used to Attach Door to Carrier – Screws Included				
D	HET50566	3/4"W x 1-3/4"H x 3-9/16" L	Top Plate, adjustable +/-3/8", installed on top of the door	Zinc Plated
Steel Floor Guide – Screws Included				
E	HET50103	2-5/8"W x 3/4"H x 2-1/8"L	For 3/4" Doors w/Nylon covered steel uprights	Zinc Plated
Bumper Stop				
F	HET50561	7/8"W x 1-3/16"H x 1-19/32"L	Steel, track mounted with a rubber stop	Zinc Plated

A ROLLING LIBRARY LADDERS

A
B
C
D
E
F
G
H
I
J
K
L
M
N
O
P
Q
R
S
T
U
V
W
X
Y



Rolling Ladder Hardware Kits



Each kit includes:

- 2 Top Rollers
- 2 Bottom Wheels
- 7 Rung Support Rods (enough for 8' ladder)
- All Necessary Fasteners

Top Roller Styles:



Standard Roller
Consists of a top and bottom wheel, keeping the ladder fixed onto the rail.



Rolling Hook
Has only one wheel on the top, so the ladder can be removed easily.

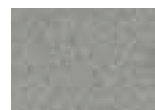


Swivel Roller
Features a built-in swivel, which allows the ladder to be used on curved rails.

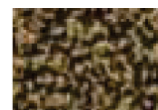
Finishes:



Black



Satin Nickel



Hammered Antique Brass*



Oil Rubbed Bronze



Chrome

*Patterns may vary

Top Hook Styles:



Single Adjustable Hook
Has one hook on the top. The base is adjustable for easy storage.

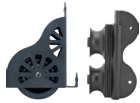


Double Hook
Cost effective alternative. The top hook is for when the ladder is in use and bottom hook is for stow-away.

NOTE: All items are non-stock. Ship direct from manufacturer.

ROLLING LIBRARY LADDERS

1A SELECT A TOP & BOTTOM LADDER END KIT



Standard Wheel with Standard Roller Kits



Contemporary Wheel with Standard Roller Kits



Brake Wheel with Standard Roller Kits

Item #	Width	Color
CSHQQ.200.02	16"	Satin Nickel
CSHQQ.200.03	16"	Hamm. Antique Brass
CSHQQ.200.07	16"	Oil Rubbed Bronze
CSHQQ.200.08	16"	Black
CSHQQ2002002	20"	Satin Nickel
CSHQQ2002003	20"	Hamm. Antique Brass
CSHQQ2002007	20"	Oil Rubbed Bronze
CSHQQ2002008	20"	Black

Item #	Width	Color
CSHQQ.220.02	16"	Satin Nickel
CSHQQ.220.03	16"	Hamm. Antique Brass
CSHQQ.220.07	16"	Oil Rubbed Bronze
CSHQQ.220.08	16"	Black
CSHQQ2202002	20"	Satin Nickel
CSHQQ2202003	20"	Hamm. Antique Brass
CSHQQ2202007	20"	Oil Rubbed Bronze
CSHQQ2202008	20"	Black

Item #	Width	Color
CSHQQ.210.02	16"	Satin Nickel
CSHQQ.210.03	16"	Hamm. Antique Brass
CSHQQ.210.04	16"	Chrome
CSHQQ.210.07	16"	Oil Rubbed Bronze
CSHQQ.210.08	16"	Black
CSHQQ2102002	20"	Satin Nickel
CSHQQ2102003	20"	Hamm. Antique Brass
CSHQQ.210.20.04	20"	Chrome
CSHQQ2102007	20"	Oil Rubbed Bronze
CSHQQ2102008	20"	Black



Standard Wheel with Rolling Hook Kits



Contemporary Wheel with Rolling Hook Kits

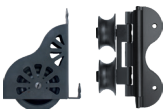


Brake Wheel with Rolling Hook Kits

Item #	Width	Color
CSHQQ.500.02	16"	Satin Nickel
CSHQQ.500.03	16"	Hamm. Antique Brass
CSHQQ.500.07	16"	Oil Rubbed Bronze
CSHQQ.500.08	16"	Black
CSHQQ5002002	20"	Satin Nickel
CSHQQ5002003	20"	Hamm. Antique Brass
CSHQQ5002007	20"	Oil Rubbed Bronze
CSHQQ5002008	20"	Black

Item #	Width	Color
CSHQQ.520.02	16"	Satin Nickel
CSHQQ.520.03	16"	Hamm. Antique Brass
CSHQQ.520.07	16"	Oil Rubbed Bronze
CSHQQ.520.08	16"	Black
CSHQQ5202002	20"	Satin Nickel
CSHQQ5202003	20"	Hamm. Antique Brass
CSHQQ5202007	20"	Oil Rubbed Bronze
CSHQQ5202008	20"	Black

Item #	Width	Color
CSHQQ.510.02	16"	Satin Nickel
CSHQQ.510.03	16"	Hamm. Antique Brass
CSHQQ.510.04	16"	Chrome
CSHQQ.510.07	16"	Oil Rubbed Bronze
CSHQQ.510.08	16"	Black
CSHQQ5102002	20"	Satin Nickel
CSHQQ5102003	20"	Hamm. Antique Brass
CSHQQ.510.20.04	20"	Chrome
CSHQQ5102007	20"	Oil Rubbed Bronze
CSHQQ5102008	20"	Black



Standard Wheel with Swivel Roller Kits



Contemporary Wheel with Swivel Roller Kits



Brake Wheel with Swivel Roller Kits

Item #	Width	Color
CSHQQ.700.02	16"	Satin Nickel
CSHQQ.700.03	16"	Hamm. Antique Brass
CSHQQ.700.07	16"	Oil Rubbed Bronze
CSHQQ.700.08	16"	Black
CSHQQ7002002	20"	Satin Nickel
CSHQQ7002003	20"	Hamm. Antique Brass
CSHQQ7002007	20"	Oil Rubbed Bronze
CSHQQ7002008	20"	Black

Item #	Width	Color
CSHQQ.720.02	16"	Satin Nickel
CSHQQ.720.03	16"	Hamm. Antique Brass
CSHQQ.720.07	16"	Oil Rubbed Bronze
CSHQQ.720.08	16"	Black
CSHQQ7202002	20"	Satin Nickel
CSHQQ7202003	20"	Hamm. Antique Brass
CSHQQ7202007	20"	Oil Rubbed Bronze
CSHQQ7202008	20"	Black

Item #	Width	Color
CSHQQ.710.02	16"	Satin Nickel
CSHQQ.710.03	16"	Hamm. Antique Brass
CSHQQ.710.07	16"	Oil Rubbed Bronze
CSHQQ.710.08	16"	Black
CSHQQ7102002	20"	Satin Nickel
CSHQQ7102003	20"	Hamm. Antique Brass
CSHQQ7102007	20"	Oil Rubbed Bronze
CSHQQ7102008	20"	Black

NOTE: All items are non-stock. Ship direct from manufacturer.

A
B
C
D
E
F
G
H
I
J
K
L
M
N
O
P
Q
R
S
T
U
V
W
X
Y

ROLLING LIBRARY LADDERS

1B OR SELECT INDIVIDUAL TOP & BOTTOM COMPONENTS



If you would prefer to choose individual ladder components instead of an entire kit, you will need to purchase individual support rods.



Standard Top Roller Guide
(Sold Individually)

The standard roller consists of top and bottom wheels, keeping your ladder fixed onto the rail. Includes all necessary hardware.

Item #	Color
CSHLL.TRGUIDE.02	Satin Nickel
CSHLL.TRGUIDE.03	Hamm. Antique Brass
CSHLL.TRGUIDE.04	Chrome
CSHLL.TRGUIDE.07	Oil Rubbed Bronze
CSHLL.TRGUIDE.08	Black



Rolling Hook Top Guide
(Sold Individually)

The rolling hook guide has one top wheel that allows for easy rolling and easy removal. Includes installation hardware.

Item #	Color
CSHLL.RHGUIDE.02	Satin Nickel
CSHLL.RHGUIDE.03	Hamm. Antique Brass
CSHLL.RHGUIDE.04	Chrome
CSHLL.RHGUIDE.07	Oil Rubbed Bronze
CSHLL.RHGUIDE.08	Black



Swivel Top Roller Guide
(Sold Individually)

This roller guide has a built-in swivel, allowing the ladder to glide along curved rails. Includes installation hardware.

Item #	Color
CSHLL.SWGUIDE.02	Satin Nickel
CSHLL.SWGUIDE.03	Hamm. Antique Brass
CSHLL.SWGUIDE.07	Oil Rubbed Bronze
CSHLL.SWGUIDE.08	Black



Single Adjustable Hook Top Guide
(Sold Individually)

Only compatible with the Non-Skid Foot assembly. Includes installation hardware.

Item #	Color
CSHLL.THGUIDE.02	Satin Nickel
CSHLL.THGUIDE.03	Hamm. Antique Brass
CSHLL.THGUIDE.07	Oil Rubbed Bronze
CSHLL.THGUIDE.08	Black



Double Hook Top Guide
(Sold Individually)

Only compatible with the Non-Skid Foot assembly. Includes hardware.

Item #	Color
CSHLL.DHGUIDE.02	Satin Nickel
CSHLL.DHGUIDE.07	Oil Rubbed Bronze
CSHLL.DHGUIDE.08	Black



Standard Ladder Wheel Assembly
(Sold Individually)

Includes installation hardware.

Item #	Color
CSHLL.WHEELASB.02	Satin Nickel
CSHLL.WHLASSB.03	Hamm. Antique Brass
CSHLL.WHLASSB.07	Oil Rubbed Bronze
CSHLL.WHLASSB.08	Black



Contemporary Ladder Wheel Assembly
(Sold Individually)

Includes installation hardware.

Item #	Color
CSHLL.WHLASB01.02	Satin Nickel
CSHLL.WHASB01.03	Hamm. Antique Brass
CSHLL.WHLASB01.07	Oil Rubbed Bronze
CSHLL.WHLASB01.08	Black



Brake Ladder Wheel Assembly
(Sold Individually)

Includes installation hardware.

Item #	Color
CSHLL.WHLASBBK.02	Satin Nickel
CSHLL.WHLASBBK.03	Hamm. Antique Brass
CSHLL.WHLASBBK.04	Chrome
CSHLL.WHLASBBK.07	Oil Rubbed Bronze
CSHLL.WHLASBBK.08	Black



Non-Skid Foot Assembly
(Sold Individually)

Compatible with any top guide. Includes installation hardware.

Item #	Color
CSHLL.NSFOOT.02	Satin Nickel
CSHLL.NSFOOT.07	Oil Rubbed Bronze
CSHLL.NSFOOT.08	Black

Non-Rolling Kits

Moveable ladder that does not roll. Comes with 7 step supports (enough for 8' ladder)



Non-Skid Foot with Single Adjustable Hook Kits

Item #	Width	Color
CSHQG.330.02	16"	Satin Nickel
CSHQG.330.07	16"	Oil Rubbed Bronze
CSHQG.330.08	16"	Black
CSHQG.330.20.02	20"	Satin Nickel
CSHQG.330.20.07	20"	Oil Rubbed Bronze
CSHQG.330.20.08	20"	Black



Non-Skid Foot with Double Hook Kits

Item #	Width	Color
CSHQG.130.02	16"	Satin Nickel
CSHQG.130.07	16"	Oil Rubbed Bronze
CSHQG.130.08	16"	Black
CSHQG.130.20.02	20"	Satin Nickel
CSHQG.130.20.07	20"	Oil Rubbed Bronze
CSHQG.130.20.08	20"	Black

NOTE: All items are non-stock. Ship direct from manufacturer.

ROLLING LIBRARY LADDERS

2 SELECT A WOOD LADDER



Top-Turned Rungs

When building your own ladder, these top-turned rungs are a nice addition. Already included with "in-stock" ladders.

Standard 16" Ladder

Original Rolling Library Ladder. Great for tight spaces.

Standard 20" Ladder

A wider ladder for added stability, space and comfort.

Item #	Wood Species
8' Ladder	
CSHQQ.6008.CH	Cherry
CSHQQ.6008.MA	Maple
CSHQQ.6008.RO	Red Oak
CSHQQ.6008.WA	Walnut
9' Ladder	
CSHQQ.6009.CH	Cherry
CSHQQ.6009.MA	Maple
CSHQQ.6009.RO	Red Oak
CSHQQ.6009.WA	Walnut
10' Ladder	
CSHQQ.6010.CH	Cherry
CSHQQ.6010.MA	Maple
CSHQQ.6010.RO	Red Oak
CSHQQ.6010.WA	Walnut

Item #	Wood Species
8' Ladder	
CSHQQ600820CH	Cherry
CSHQQ600820MA	Maple
CSHQQ600820RO	Red Oak
CSHQQ600820WA	Walnut
9' Ladder	
CSHQQ600920CH	Cherry
CSHQQ600920MA	Maple
CSHQQ600920RO	Red Oak
10' Ladder	
CSHQQ601020CH	Cherry
CSHQQ601020MA	Maple
CSHQQ601020RO	Red Oak

Steam-Bent Solid Wood Hand Rails

Unfinished, sanded to 120-grit and has pre-drilled assembly holes. Sold in pairs. Specify for Black or Satin Nickel fasteners (included).

Item #	Wood Species
CSHQQ.6309.CH	Cherry
CSHQQ.6309.HC	Hickory
CSHQQ.6309.MA	Maple
CSHQQ.6309.RO	Red Oak
CSHQQ.6309.WA	Walnut



Additional Step Supports - for Custom Ladders and Ladders over 8'

These additional step support rods are only needed when ordering Quiet Glide ladders over 8' tall. If you're building your own ladder, use one support rod per step. Fasteners are included.

Item #	Finish	Width
CSHQQ.620.02	Satin Nickel	16"
CSHQQ6202002	Satin Nickel	20"
CSHQQ.620.04	Chrome	16"
CSHQQ.620.20.04	Chrome	20"
CSHQQ.620.08	Black	16"
CSHQQ6202008	Black	20"

Item #	Finish	Width
CSHQQ.610.AD	Alder	16"
CSHQQ.610-20.AD	Alder	20"
CSHQQ.610.AS	Ash	16"
CSHQQ.610-20.AS	Ash	20"
CSHQQ.610.CH	Cherry	16"
CSHQQ.610-20.CH	Cherry	20"
CSHQQ.610.HC	Hickory	16"
CSHQQ.610-20.HC	Hickory	20"
CSHQQ.610.MG	Mahogany	16"
CSHQQ.610-20.MG	Mahogany	20"
CSHQQ.610.MA	Maple	16"
CSHQQ.610-20.MA	Maple	20"
CSHQQ.610.PN	Pine	16"
CSHQQ.610-20.PN	Pine	20"
CSHQQ.610.RO	Red Oak	16"
CSHQQ.610-20.RO	Red Oak	20"
CSHQQ.610.WA	Walnut	16"
CSHQQ.610-20.WA	Walnut	20"



Non-Skid Tread For Ladder Steps

Measures 3" x 13" with 1/4" radius corners. Should be installed after the ladder is finished.

Item #	Color
CSHQQ.61	Clear



NOTE: All items are non-stock. Ship direct from manufacturer.

A
B
C
D
E
F
G
H
I
J
K
L
M
N
O
P
Q
R
S
T
U
V
W
X
Y

ROLLING LIBRARY LADDERS

3 SELECT RAIL COMPONENTS



Straight Rail - Three Different Lengths

Item #	Length	Finish
CSHQG.4004.02	4' L	Satin Nickel
CSHQG.4004.03	4' L	Hamm. Ant. Brass
CSHQG.4004.04	4' L	Chrome
CSHQG.4004.07	4' L	Oil Rub Bronze
CSHQG.4004.08	4' L	Black

Item #	Length	Finish
CSHQG.4006.02	6' L	Satin Nickel
CSHQG.4006.03	6' L	Hamm. Ant. Brass
CSHQG.4006.04	6' L	Chrome
CSHQG.4006.07	6' L	Oil Rub Bronze
CSHQG.4006.08	6' L	Black

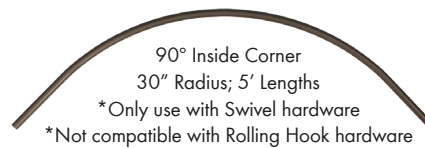
Item #	Length	Finish
CSHQG.4008.02	8' L	Satin Nickel
CSHQG.4008.03	8' L	Hamm. Ant. Brass
CSHQG.4008.07	8' L	Oil Rub Bronze
CSHQG.4008.08	8' L	Black

135-Degree Curved Rail*



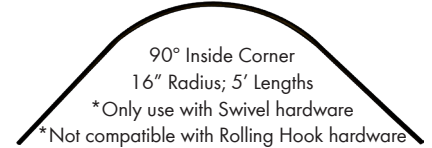
Item #	Finish
CSHQG.40CRV135.02	Satin Nickel
CSHQG.40CRV135.03	Hamm. Ant. Brass
CSHQG.40CRV135.07	Oil Rubbed Bronze
CSHQG.40CRV135.08	Black

90-Degree Curved Rail*



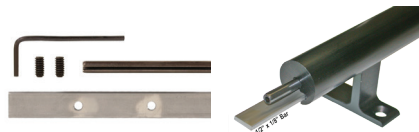
Item #	Finish
CSHQG.40CRV.02	Satin Nickel
CSHQG.40CRV.03	Hamm. Ant. Brass
CSHQG.40CRV.07	Oil Rubbed Bronze
CSHQG.40CRV.08	Black

90-Degree Curved Rail*



Item #	Finish
CSHQG.40CRV16.02	Satin Nickel
CSHQG.40CRV16.03	Hamm. Ant. Brass
CSHQG.40CRV16.07	Oil Rubbed Bronze
CSHQG.40CRV16.08	Black

Splice Kit for Joining Round Rails Together



Item #	Size
CSHQG.41	1/2" x 1/8" Bar

Standard End Cap Kit for Round Rails

Made out of solid steel. Each kit includes 2 caps (1-1/4" dia.) and 2 fastening bolts (1/4" #20 x 18mm)



Item #	Finish
CSHQG.40.02	Satin Nickel
CSHQG.40.03	Hammered Antique Brass
CSHQG.40.04	Chrome
CSHQG.40.07	Oil Rubbed Bronze
CSHQG.40.08	Black

Ball End Cap Kit for Round Rails

Made of solid steel. Each kit includes 2 caps (1-1/4" dia.) and 2 fastening bolts (1/4" #20 x 18mm)



Item #	Finish
CSHQG.401.02	Satin Nickel
CSHQG.401.03*	Hammered Antique Brass
CSHQG.401.07	Oil Rubbed Bronze
CSHQG.401.08	Black

Thread Tap Accessory

Accessory used to make threads at the end of rails for end caps.



Item #	Size
CSHQGTAP1420	1/4" x 20 Tap

End Cover Kit for Chrome Rails

Made with solid steel and plated Chrome. For use when cutting chrome rails to conceal chipping. Each kit includes 2 caps and 2 fastening bolts (1/4" #20 x 18mm)



Item #	Finish
CSHQG.403.04	Chrome

NOTE: All items are non-stock. Ship direct from manufacturer.

ROLLING LIBRARY LADDERS

3 SELECT RAIL COMPONENTS



Wall-Mounting Bracket for Round Rails

Choose brackets, based on the top roller choice you made (in Step 1). Sold as each. Screws are included.

Vertical Rolling/Swivel Bracket



For use with Standard Top Rollers and Swivel Rollers.

Item #	Finish
CSHQG.201.02	Satin Nickel
CSHQG.201.03	Hammered Antique Brass
CSHQG.201.04	Chrome
CSHQG.201.07	Oil Rubbed Bronze
CSHQG.201.08	Black

Vertical Rolling Hook Bracket



For use with Rolling Hook Top Rollers.

Item #	Finish
CSHQG.301.02	Satin Nickel
CSHQG.301.03	Hammered Antique Brass
CSHQG.301.04	Chrome
CSHQG.301.07	Oil Rubbed Bronze
CSHQG.301.08	Black

Horizontal Rolling/Swivel Bracket



For use with Standard Top Rollers and Swivel Rollers.

Item #	Finish
CSHQG.202.02	Satin Nickel
CSHQG.202.03	Hammered Antique Brass
CSHQG.202.04	Chrome
CSHQG.202.07	Oil Rubbed Bronze
CSHQG.202.08	Black

Horizontal Rolling/Swivel Bracket



For use with Rolling Hook Top Rollers.

Item #	Finish
CSHQG.302.02	Satin Nickel
CSHQG.302.03	Hammered Antique Brass
CSHQG.302.04	Chrome
CSHQG.302.07	Oil Rubbed Bronze
CSHQG.302.08	Black

These brackets are used to mount the round rail to the wall. You will need 1 bracket for every 32" or 4 brackets for an 8' rail. Wall brackets must be mounted securely into studs.

NOTE: All items are non-stock. Ship direct from manufacturer.

A
B
C
D
E
F
G
H
I
J
K
L
M
N
O
P
Q
R
S
T
U
V
W
X
Y

A WALL BED & HIDDEN DOOR HINGE KITS

A
B
C
D
E
F
G
H
I
J
K
L
M
N
O
P
Q
R
S
T
U
V
W
X
Y

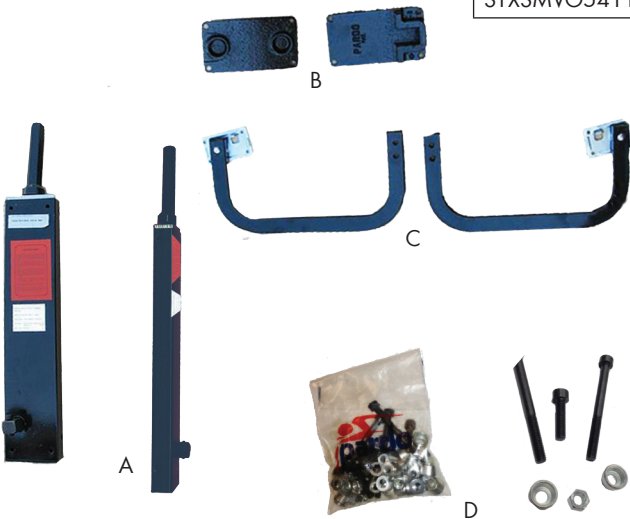


Vertical Wall Bed Mechanism Kits



- All components are designed and produced in Europe
- Patented, reliable, safe, spring powered counter balance
- Tested to last over 10,000 continuous open/close cycles
- Springs and moving parts are enclosed in a thick 12 Ga. steel enclosure
- No exposed springs to break and fly about the room, no gas pistons to fail
- Adjustable tension for finger tip operation
- Sold per each kit

Item #	Bed Size	Lbs	Mount
SYXSM90	Twin/Single	110	Exposed
SYXSMVO5475I	Double/Full	165	Concealed
SYXSMVO5475X	Double/Full	165	Exposed
SYXSMVO54110I	Queen	240	Concealed
SYXSMVO54110X	Queen	240	Exposed



Included in Bed Mechanism Kit:

- A. Adjustable right/left counter balance mechanism
 - B. Pivot mounting mechanism plates
 - C. Right/left pivoting legs
 - D. Hardware fasteners
- NOTE: Mattress, bed frame and cabinetry are not included.

Hidden Door Hinge Kits



- Patented ball bearing lower pivot point rated at 1160 torque lb dynamic load and 540lb dynamic load
- Upper pivot pin is a slip pin and not a bolt that can strip out and cause sag in just a few uses
- Kit is for one door
- Sold per kit



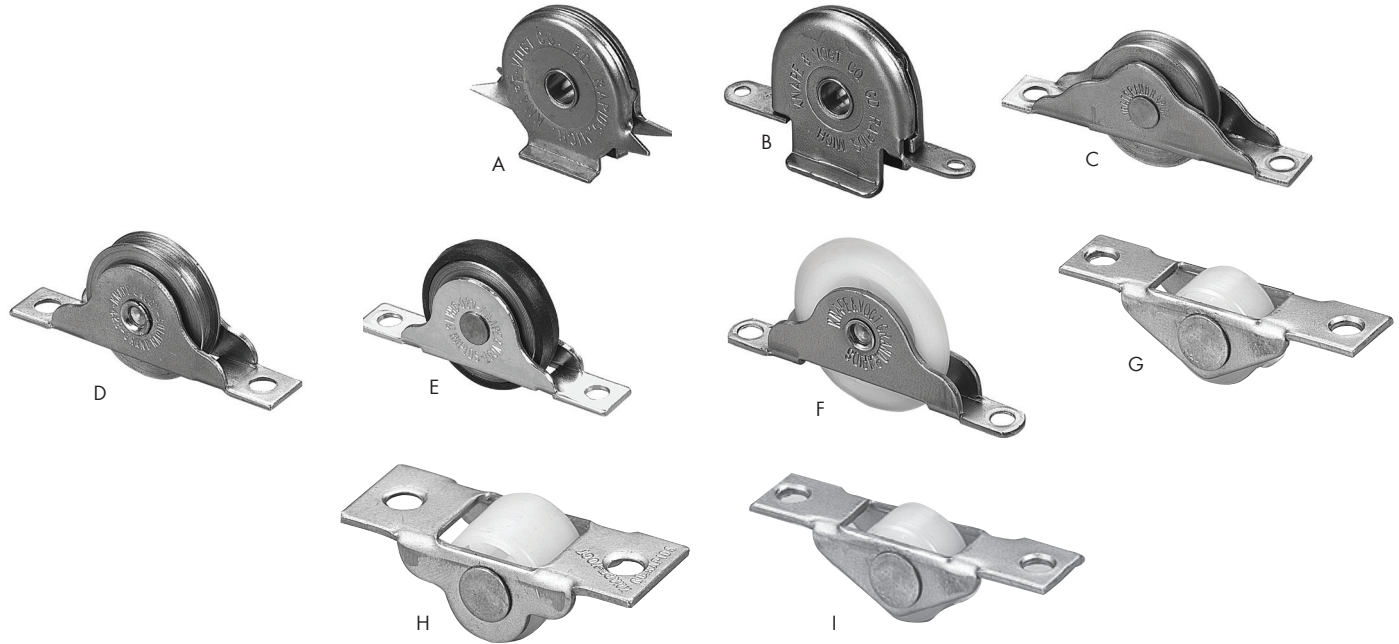
Item #	Description
MDFMHK	Flush Mount, Hidden Door Hinge Kit, One Door
MDSMHK	Surface Mount, Hidden Door Hinge Kit, One Door

SHEAVES & ROLLERS

Steel Enclosed & Open Wheel Sheaves



- Sheaves and rollers do not include screws

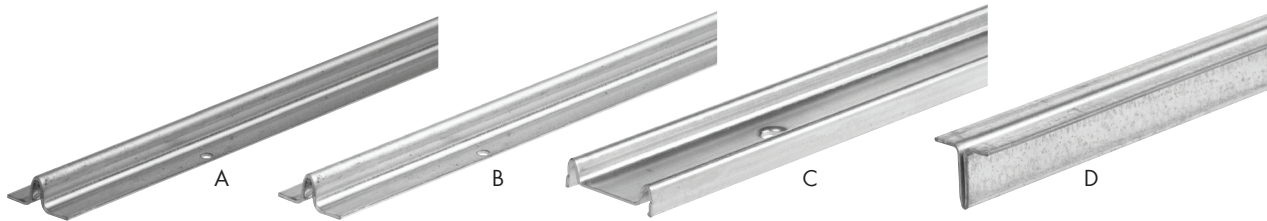


Item #	Overall Dimensions	Description	Used with KV Steel Track #	Fasteners To Use	Sold In
Enclosed Steel Sheaves (Screws Not Included)					
A	KV400A-STL 5/16"W x 1-1/4"H x 2"L	Heavy Doors, Ball Bearing Wheel	KV455 or KV469	-	Per Each
B	KV402STL 5/16"W x 1-1/4"H x 2-1/4"L	Heavy Doors, Ball Bearing Wheel	KV455 or KV469	#3 Flathead Wood Screws	100/Box
	KV582STL 5/16"W x 1-1/4"H x 2-1/4"L	Light Doors, Nylon Wheel	KV455 or KV469		100/Box
Open Wheel Steel Sheaves (Screws Not Included)					
C	KV427STL 1/2"W x 2-15/16"H, 1-3/16"Dia. Wheel	Standard Doors, Ball Bearing Round Groove Wheel	KV455 or KV469	#6 Flathead Wood Screw	Per Each
D	KV429STL 3/8"W x 2-1/4"H, 1"Dia. Wheel	Standard Doors, Round Groove Wheel	KV455 or KV469	#4 Flathead Wood Screw	Per Each
E	KV430-STL 1/2"W x 2-3/4"H, 1-3/8"Dia. Wheel	Standard Doors, Ball Bearing, Round Groove Wheel	KV455 or KV469	#6 Flathead Wood Screw	Per Each
F	KV592STL 2-1/4"W x 9/32"H, 1-3/16"Dia. Wheel	Thin Doors, Nylon Convex Wheel	KV455	#3 Flathead Wood Screw	Per Each
Steel Roller (Screws not included)					
G	KV420-STL 7/16"W x 1-7/8"L	Nylon roller: 9/16" Dia. X 5/16" Wide	KV455 or KV469	#5 Flathead Wood Screw	Per Each
H	KV422-STL 5/8"W x 1-13/16"L	Nylon roller: 9/16" Dia. X 1/2" Wide	KV455 or KV469	#5 Flathead Wood Screw	Per Each
I	KV423-STL 5/8"W x 1-13/16"L	Nylon roller: 5/8" Dia. X 1/2" Wide	KV455 or KV469	#5 Flathead Wood Screw	Per Each

A SLIDING DOOR TRACKS

Steel Tracks/Guide

• Sold In: 1 Each



Steel Tracks & Guide					
Item #	Overall Dimensions	Description	Fasteners Included	Finish	
A	KV455STL144	21/32"W x 5/16"H x 144"	12' Single Lower Track	1/2" Nails	Steel
B	KV455-144SS	21/32"W x 19/64"H x 144"L	12' Single Lower Track	1/2" Nails	Stainless Steel
C	KV469ZC144	1"W x 1/4"H x 144"L	12' Double Lower Track	1/2" x #5 Screws	Zinc
D	KV953ZC144	5/8"W x 5/8"H x 144"L	12' Top Door Divider, Upper T-Guide separates sliding door at top	-	Pre-Coated Steel

O Roll-Ezy Aluminum Track System

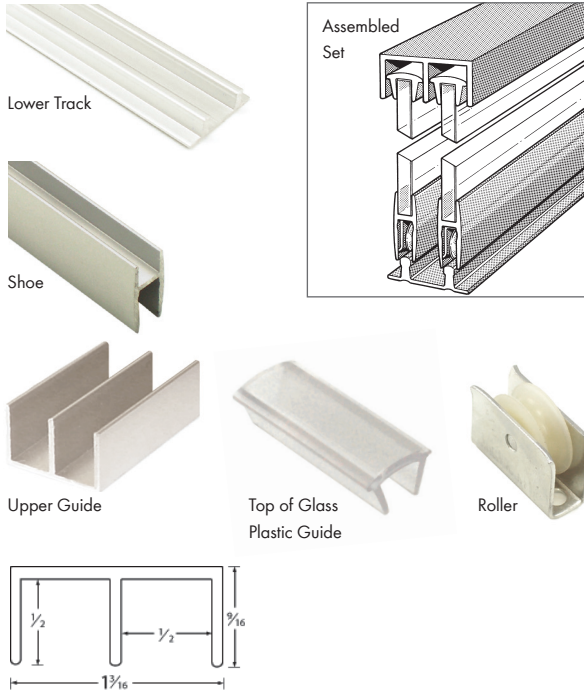


Roll-Ezy Aluminum Track System

- Designed for Small to Medium Glass Doors
- Kit Includes: (1) 1093 Upper Channel, (4) 1097 Rollers, (4) 1085 Vinyl Guides, (2) 1095 Shoes, & (1) 1099 Lower Track
- Designed for 1/4" thick glass door
- Installation Notes & Recommendations: KV does not recommend butt-joints and/or openings longer than 12 feet.
- Sold In: 1 Each Kit

Item #	Description
KV1092ANO-36	36" Length Small to Medium Glass Door Track Assembly Kit
KV1092ANO-48	48" Length Small to Medium Glass Door Track Assembly Kit
KV1092ANO-60	60" Length Small to Medium Glass Door Track Assembly Kit
KV1092ANO-72	72" Length Small to Medium Glass Door Track Assembly Kit

SLIDING GLASS DOOR DUAL TRACKS



Aluminum Sliding Glass Door Dual Track Sets



- Made of aluminum with a satin clear anodized finish
- Hardware sets include: (1) Upper Guide, (4) Top of glass plastic guides, (2) Shoes, (4) Rollers & (1) Lower Track
- Corrosion free anodized aluminum members are ideal for lightweight 1/4" thick two glass door installations, plastic guides are designed to fit into the top
- Glass should be cut 1-7/32" shorter than height of opening
- Easily cut to fit any width opening
- If glass is undersized, it can be caulked for rigidity

Item #	Overall Dimensions	Finish
EP14-36	36" Length	Aluminum
EP14-48	48" Length	Aluminum
EP14-60	60" Length	Aluminum
EP14-72	72" Length	Aluminum

A
B
C
D
E
F
G
H
I
J
K
L
M
N
O
P
Q
R
S
T
U
V
W
X
Y



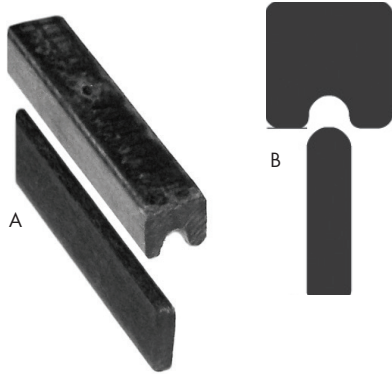
Large Sliding Glass Door Ball Bearing Hardware Sets & Components For By-Passing Doors, Double Tracks



- High quality ball bearing movement
- Available in hardware sets or individual components
- Hardware Set (for two glass doors) includes: (1) upper channel, (2) shoes, (2) ball bearing carriers and (1) lower track
- All hardware is made of steel with a zinc finish
- Zinc plated steel with full ball bearing carriers make this unit ideal for larger 1/4" two glass door installations
- Glass should be cut 1-1/4" shorter than height of opening, easily cut to fit any width opening
- KV does not recommend butt-joints and/or openings longer than 12 feet and that the height to length ratio for glass doors should not exceed 2:1

Item #	Length	Description	Finish
Sliding Glass Door Steel Hardware Sets			
KV992-48	48"	(1)KV993 Upper Channel, (2)KV995 Shoe, (2)KV997 Carrier & (1)KV999 Lower Track	Zinc
KV992-60	60"	(1)KV993 Upper Channel, (2)KV995 Shoe, (2)KV997 Carrier & (1)KV999 Lower Track	Zinc
KV992-72	72"	(1)KV993 Upper Channel, (2)KV995 Shoe, (2)KV997 Carrier & (1)KV999 Lower Track	Zinc
Sliding Glass Door Steel Hardware Components			
KV993-144	144"	15/16"W x 5/8"H, Upper Channel	Zinc
KV995-144	144"	7/16"H, Shoe for 1/4" glass, bottom curved for free rolling position on ball bearings	Zinc
KV997-144	144"	Ball Bearing Carrier has free rolling balls on 3" centers	Zinc
KV999-144	144"	1"W x 1"H, Lower Track, Balls ride freely on curved anvil with no contact against sides	Zinc

A SLIDING GLASS DOOR TRACKS



Track & Glides For Lightweight Doors

- Track and glide sold separately
- Simple installation by press-fitting the plastic track into 1/8" wide saw kerf and glides are mortised into bottom of door
- Hardened fibre tracks and glides are self-lubricating and glide smoothly
- Plastic Kerf Track sold in 100' rolls

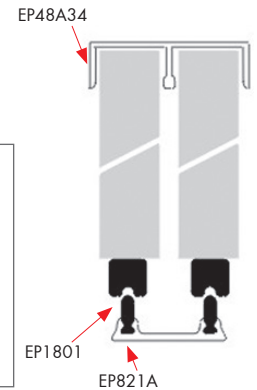
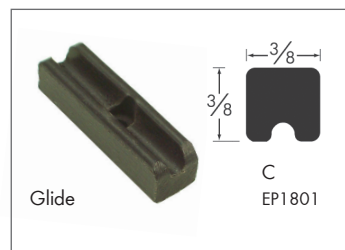
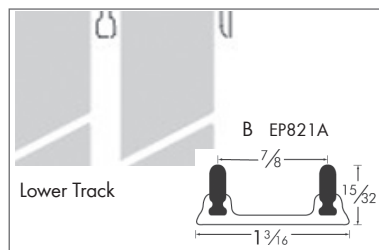
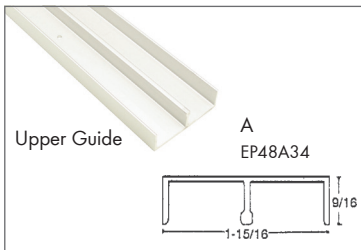


	Item #	Overall Dimensions	Description	Color
A	EP8016	1/8"W x 1/2"H x 72"L	Fibre Track	Gray
B	EP1801-1	3/8"W x 3/8"H x 1-3/8"L	Non-Locking Fibre Glide	Gray

B
C
D
E
F
G
H
I
J
K
L
M
N
O
P
Q
R
S
T
U
V
W
X
Y

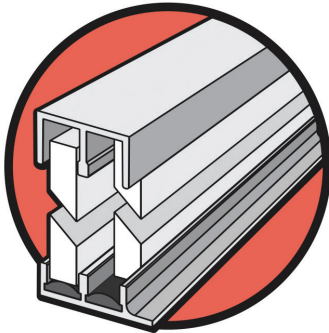
Sliding Door Hardware Components For 3/4" Thick Doors, Dual Tracks

- Three components: Upper Guide, Lower Track, and Fibre Glides
- Upper Guide and Lower Track items are made of Aluminum and have an anodized aluminum finish
- Fiber Glides are hardened fibre with graphite composition to provide smooth operation and superb wearing qualities. No moving parts. Rust and corrosion proof.



Item #	Overall Dimensions	Channel Dimensions	Description	Finish
Upper Guide for 3/4" Thick Doors - Aluminum Material				
A	EP48A344	1-15/16"W x 9/16"H x 48"L	Upper Guide, Holes at 6" Intervals	Anodized Aluminum
	EP48A346	1-15/16"W x 9/16"H x 72"L	Upper Guide, Holes at 6" Intervals	Anodized Aluminum
	EP48A34-144	1-15/16"W x 9/16"H x 144"L	Upper Guide, Holes at 6" Intervals	Anodized Aluminum
Lower Track for 3/4" Thick Doors - Aluminum Material with Fibre Inserts				
B	EP821A4	1-3/16"W x 15/32"H x 48"L	Lower Track, Holes at 6" Intervals	Anodized Aluminum
	EP821A6	1-3/16"W x 15/32"H x 72"L	Lower Track, Holes at 6" Intervals	Anodized Aluminum
	EP821-144	1-3/16"W x 15/32"H x 144"L	Lower Track, Holes at 6" Intervals	Anodized Aluminum
Fibre Glides				
C	EP1801-1	3/8"W x 3/8"H x 1-3/8"L	Fibre Glides = Graphite Composition	Dark Gray

SLIDING DOOR TRACK SETS

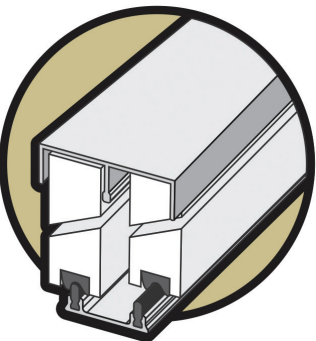


Sliding Door Track Sets, Assembly #1

- For use with heavier 1/4" thick wood/glass doors
- Bottom track has machined, hardened fibre inserts
- Sets include upper track, lower track and installation screws



Item #	For Door Thickness	Door Type	Length	Material	Finish
EP1-48	1/4"	Wood/Glass	48"	Aluminum	Clear Anodized
EP1-72	1/4"	Wood/Glass	72"	Aluminum	Clear Anodized

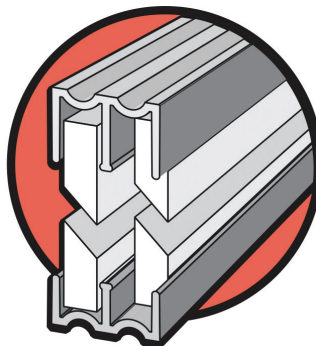


Sliding Door Track Sets, Assembly #2

- For use with heavier 3/4" thick wood doors
- Bottom track has machined, hardened fibre inserts
- Sets include upper track, lower track and installation screws
- Four fiber glides recess into bottom of door and glide easily on track



Item #	For Door Thickness	Door Type	Length	Material	Finish
EP2-48	3/4"	Wood	48"	Aluminum	Clear Anodized
EP2-72	3/4"	Wood	72"	Aluminum	Clear Anodized

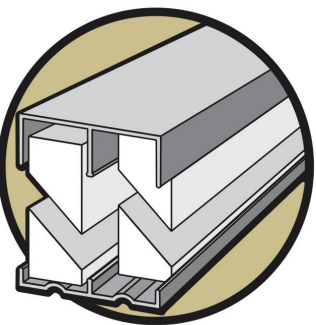


Sliding Door Track Sets, Assembly #3

- Use for small and lightweight 1/4" wood or glass bypass doors
- High impact extruded polystyrene construction
- Sets include bottom track and upper guide



Item #	For Door Thickness	Door Type	Length	Material	Finish
EP3-48BK	1/4"	Wood/Glass	48"	Polystyrene	Black
EP3-48G	1/4"	Wood/Glass	48"	Polystyrene	Gray
EP3-48WAL	1/4"	Wood/Glass	48"	Polystyrene	Walnut
EP3-72BK	1/4"	Wood/Glass	72"	Polystyrene	Black
EP3-72WAL	1/4"	Wood/Glass	72"	Polystyrene	Walnut



Sliding Door Track Sets, Assembly #5

- Use for small and lightweight 3/4" wood bypass doors
- High impact extruded polystyrene construction
- Sets include bottom track and upper guide
- Four button glides provide a smooth sliding action

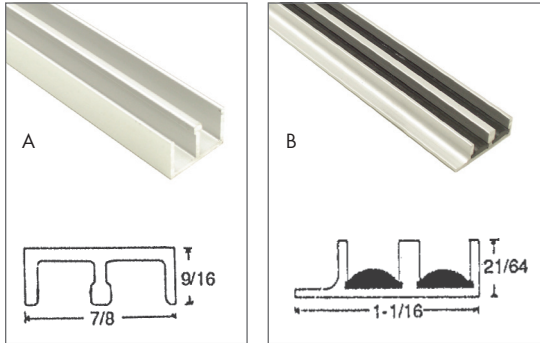


Item #	For Door Thickness	Door Type	Length	Material	Finish
EP5-48G	3/4"	Wood	48"	Polystyrene	Gray
EP5-48WAL	3/4"	Wood	48"	Polystyrene	Walnut
EP5-72G	3/4"	Wood	72"	Polystyrene	Gray
EP5-72WAL	3/4"	Wood	72"	Polystyrene	Walnut

A
B
C
D
E
F
G
H
I
J
K
L
M
N
O
P
Q
R
S
T
U
V
W
X
Y

A
B
C
D
E
F
G
H
I
J
K
L
M
N
O
P
Q
R
S
T
U
V
W
X
Y

SLIDING DOOR TRACKS

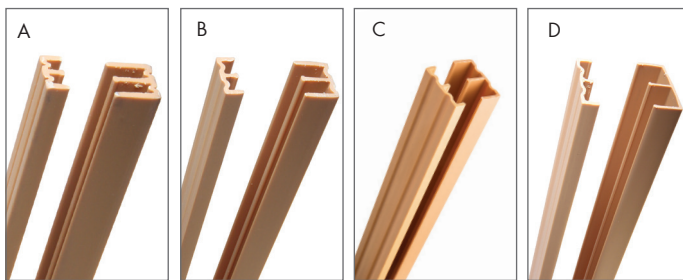


Aluminum Sliding Door Hardware Components For 1/4" Thick Doors, Dual Track



- Two components: Upper Guide Track and Lower Guide Track with built in fibre inserts
- Upper guide and lower track are made of aluminum and have an Anodized Aluminum finish
- Lower track with fibre insert is hardened fibre with graphite composition to provide smooth operation and superb wearing qualities. Rust and corrosion proof.
- Sliding action is always sure, easy and quiet

Item #	Overall Dimensions	Channel Dimensions	Description	Finish
Upper Guide for 1/4" Thick Doors – Aluminum Material				
A EP48A144	7/8"W x 9/16"H x 48"L	5/16"W x 1/2"D	4' Upper Guide, Holes at 6" Intervals	Anodized Alum.
A EP48A146	7/8"W x 9/16"H x 72"L	5/16"W x 1/2"D	6' Upper Guide, Holes at 6" Intervals	Anodized Alum.
Lower Track for 1/4" Thick Doors – Aluminum Material with Fibre Inserts				
B EP38AS144	1-1/16"W x 21/64"H x 48"L	9/32W x 11/64"D	4' Lower Track, Holes at 6" Intervals	Anodized Alum.
B EP38AS146	1-1/16"W x 21/64"H x 72"L	9/32W x 11/64"D	6' Lower Track, Holes at 6" Intervals	Anodized Alum.



Plastic Tracks For By-Passing Doors Dual Tracks



- All tracks made of plastic, Tan color
- Set includes: matching (1) piece of upper guide and (1) piece of lower track

Item #	Upper Guide Dimensions	Lower Track Dimensions	Description
Designed for Doors with a Thickness of 1/8"			
A KVP2413-TAN-48	5/8"W x 9/16"H x 48"L	5/8"W x 5/16"H x 48"L	(1)Upper Guide & (1)Lower Track
A KVP2413-TAN-72	5/8"W x 9/16"H x 72"L	5/8"W x 5/16"H x 72"L	(1)Upper Guide & (1)Lower Track
Designed for Doors with a Thickness of 1/4"			
B KV2417-48T	13/16"W x 9/16"H x 48"L	13/16"W x 1/4"H x 48"L	(1)Upper Guide & (1)Lower Track
B KV2417-72T	13/16"W x 9/16"H x 72"L	13/16"W x 1/4"H x 72"L	(1)Upper Guide & (1)Lower Track
Designed for Doors with a Thickness of 1/2"			
C KVP2421-TAN-48	1-3/8"W x 1/2"H x 48"L	1-3/8"W x 5/16"H x 48"L	(1)Upper Guide & (1)Lower Track
C KV2421-72T	1-3/8"W x 1/2"H x 72"L	1-3/8"W x 5/16"H x 72"L	(1)Upper Guide & (1)Lower Track
Designed for Doors with a Thickness of 3/4"			
D KVP2419-TAN-48	1-15/16"W x 13/16"H x 48"L	1-15/16"W x 3/8"H x 48"L	(1)Upper Guide & (1)Lower Track
D KVP2419-72T	1-15/16"W x 13/16"H x 72"L	1-15/16"W x 3/8"H x 72"L	(1)Upper Guide & (1)Lower Track

SLIDING DOOR PULLS

Sliding Door Pulls

- Economy sliding door pulls for glass and wood doors
- Packing & Sold In: As shown below.
 Sold In: Both broken and full box quantities.



A



B



C



D

Item #	Overall Dimensions	Drill Hole	Material	Finish	Conforms to ANSI/BHMA	Box Qty	
Glass Door Threaded Finger Pull, Two-Piece Screw Together Pull For Glass 3/16" To 5/16" Thick							
A	KV836	1-1/16" Dia x 9/16" Deep	13/16" Dia	Zinc	Anochrome	-	50
Glass Door Pull , Designed for 1/4" Thick Glass							
B	EPGP-15A	3/4" W x 1" D, 2-3/4" H	-	Aluminum	Satin Aluminum	-	25
Sliding Door Edge Pulls with Spring Loaded Lever for a Flush Look							
C	IV230B-3	3/4" W x 1-5/8" D x 3-7/8" L	-	Brass	Bright Brass	A156.14/D2801	10
	IV230B-5	3/4" W x 1-5/8" D x 3-7/8" L	-	Brass	Antique Brass	A156.14/D2801	10
	IV230B-10B	3/4" W x 1-5/8" D x 3-7/8" L	-	Brass	Oil Rub Bronze	A156.14/D2801	10
	IV230B-15	3/4" W x 1-5/8" D x 3-7/8" L	-	Brass	Satin Nickel	A156.14/D2801	10
	IV230B-26	3/4" W x 1-5/8" D x 3-7/8" L	-	Brass	Bright Chrome	A156.14/D2801	10
Stick-On Pull W/Pressure Sensitive Adhesive Backing							
D	EP17AM	13/16"W x 1/8"D x 2-13/16"L	-	Plastic	Aluminum	-	100
	EP17BK	13/16"W x 1/8"D x 2-13/16"L	-	Plastic	Black	-	100
	EP17CL	13/16"W x 1/8"D x 2-13/16"L	-	Plastic	Clear	-	100

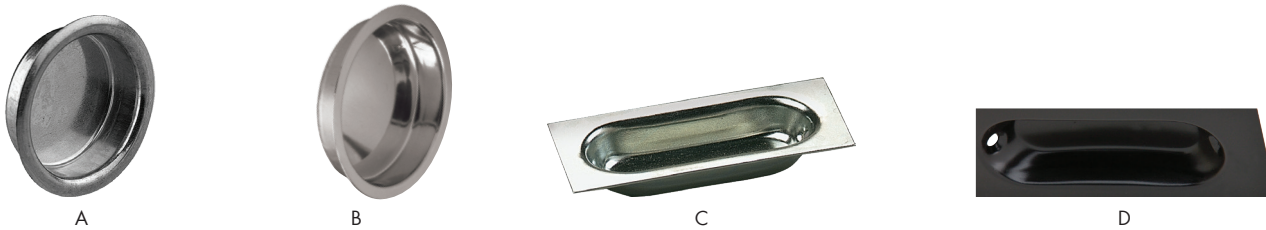
A
B
C
D
E
F
G
H
I
J
K
L
M
N
O
P
Q
R
S
T
U
V
W
X
Y

A SLIDING DOOR PULLS

Sliding Door Pulls

- Economy sliding door pulls for glass and wood doors

Packing & Sold In: As shown below. Sold In: Both broken and full box quantities.



Item #	Overall Dimensions	Drill Hole	Material	Finish	Conforms to ANSI/BHMA	Box Qty	
Finger Pulls							
A	KV801XNP	31/32" Dia. X 1/4" Deep	25/36"	Metal	Nickel Plated	-	100
	KV803XNP	31/32" Dia. X 3/8" Deep	25/36"	Metal	Nickel Plated	-	100
Finger Pulls							
B	IV221B-15	2-7/16" Dia x 7/16" Deep	2-1/8"	Brass	Satin Nickel	A156.9/B22201 A156.14/D2781	20
	IV221B-26	2-7/16" Dia x 7/16" Deep	2-1/8"	Brass	Bright Chrome	A156.9/B22201 A156.14/D2781	20
	IV221B-26D	2-7/16" Dia x 7/16" Deep	2-1/8"	Brass	Satin Chrome	A156.9/B22201 A156.14/D2781	20
	IV221B-3	2-7/16" Dia x 7/16" Deep	2-1/8"	Brass	Bright Brass	A156.9/B22201 A156.14/D2781	20
	IV221B-4	2-7/16" Dia x 7/16" Deep	2-1/8"	Brass	Satin Brass	A156.9/B22201 A156.14/D2781	20
	IV221B-5	2-7/16" Dia x 7/16" Deep	2-1/8"	Brass	Antique Brass	A156.9/B22201 A156.14/D2781	20
Oval Flush Finger Pulls							
C	KV813ANO	3/16" x 2-7/8" x 25/64"D	51/64" x 2-1/2"	Metal	Anochrome	-	100
Flush Oblong Pulls							
D	IV22B-10B	3-1/8"W x 7/16"D x 1-5/16"H	-	Brass	Oil Rubbed Bronze	A156.9/B22201 A156.14/D2781	20
	IV22B-15	3-1/8"W x 7/16"D x 1-5/16"H	-	Brass	Satin Nickel	A156.9/B22201 A156.14/D2781	20
	IV22B-26	3-1/8"W x 7/16"D x 1-5/16"H	-	Brass	Bright Chrome	A156.9/B22201 A156.14/D2781	20
	IV22-26D	3-1/8"W x 7/16"D x 1-5/16"H	-	Brass	Satin Chrome	A156.9/B22201 A156.14/D2781	20
	IV22-3	3-1/8"W x 7/16"D x 1-5/16"H	-	Brass	Bright Brass	A156.9/B22201 A156.14/D2781	20
	IV22B-5	3-1/8"W x 7/16"D x 1-5/16"H	-	Brass	Antique Brass	A156.9/B22201 A156.14/D2781	20

WARDROBE HOOKS



A
Traditional
Double Prong



B
Wide Body
Double Prong



C
C-Shaped
Double Prong



D
Large
Double Prong



E
Single Prong



F
Double Prong

Solid Brass & Aluminum Hooks

IVES

- All Ives hooks on this page are constructed of solid brass or cast aluminum that conforms to ANSI/BHMA A156.16 L13113 for brass and L33113 for aluminum
- All hooks include installation screws
- Sold In: Per each

	Finish	Item #	Dimensions	Material
Traditional Double Prong – 3" Projection				
A	Aged Bronze	IV571A-716	1-1/4"W x 1-3/4"H	Aluminum
	Bright Brass	IV571BR	1-1/4"W x 1-3/4"H	Aluminum
	Antique Brass	IV571AB	1-1/4"W x 1-3/4"H	Aluminum
	Bright Nickel	IV571BN	1-1/4"W x 1-3/4"H	Aluminum
	Aluminum	IV571AM	1-1/4"W x 1-3/4"H	Aluminum
	White Epoxy	IV571WH	1-1/4"W x 1-3/4"H	Aluminum
	Black Epoxy	IV571BK	1-1/4"W x 1-3/4"H	Aluminum
	Bright Brass	IV571MBBR	1-1/4"W x 1-3/4"H	Solid Brass
	Antique Brass	IV571MBAB	1-1/4"W x 1-3/4"H	Solid Brass
	Oil Rub Bronze	IV571MBDB	1-1/4"W x 1-3/4"H	Solid Brass
	Satin Nickel	IV571MBSN	1-1/4"W x 1-3/4"H	Solid Brass
	Bright Chrome	IV571MBBC	1-1/4"W x 1-3/4"H	Solid Brass
	Satin Chrome	IV571MBSC	1-1/4"W x 1-3/4"H	Solid Brass
Wide Body Double Prong – 2-1/2" Projection				
B	Bright Brass	IVE405A3	7/8"W x 1-1/2"H	Aluminum
	Bright Nickel	IVE405A14	7/8"W x 1-1/2"H	Aluminum
	Natural Alum.	IVE405A92	7/8"W x 1-1/2"H	Aluminum
C-Shaped Double Prong – 3-3/4" Projection, Overall Height = 5"				
C	Bright Chrome	IV574BC	1-3/4"W x 1-5/8"H	Aluminum
Large Double Prong – 3-5/8" Projection, Overall Height = 5-3/4"				
D	Bright Brass	IV575BR	1-3/8"W x 2-1/4"H	Aluminum
	Aluminum	IV575AM	1-3/8"W x 2-1/4"H	Aluminum

Finish		Aluminum	Solid Brass		Aluminum	Solid Brass
		1-5/8" Projection 1-1/4"W x 1-1/4"H Item #	1-11/16" Projection 1-1/4"W x 1-1/4"H Item #		1-3/32" Projection 1-3/16"W x 1-1/16"H Item #	1" Projection 1-1/4"W x 1-1/8"H Item #
Bright Brass	(E) Single Prong	-	IV581MBBR	(F) Double Prong	IV582BR	IV582MBBR
Antique Brass		-	-		IV582AB	-
Satin Nickel		-	IV581MBSN		-	IV582MBSN
Bright Nickel		IV581BN	-		IV582BN	-
Bright Chrome		-	IV581MBBC		-	IV582MBBC
Satin Chrome		IV581A26D	IV581MBSC		-	IV582MBSC
Aluminum		IV581AM	-		IV582AM	-
Black Epoxy		IV581BK	-		IV582BK	-
White Epoxy		-	-		IV582WH	-

A
B
C
D
E
F
G
H
I
J
K
L
M
N
O
P
Q
R
S
T
U
V
W
X
Y

A WARDROBE HOOKS

**Single Prong Utility Hooks
Stainless Steel**



- NSF approved, utility hooks meet Food Equipment Industry Standards
- Constructed of 304 stainless steel material
- Supplied with stainless steel screws



	Overall Height	Projection	Load Capacity	Mirror Stainless Steel Item #	Polished Stainless Steel Item #
A	1-37/64"H	1-1/32"	44 lbs.	SGEL-25	-
	2-9/64"H	1-17/64"	44 lbs.	SGEL-30	-
B	63/64"H	63/64"	44 lbs.	SGEP-25	-
	1-19/64"H	1-17/64"	44 lbs.	SGEP-40	-
C	1-29/64"H	1-27/32"	22 lbs.	SGFC-50	-
	1-47/64"H	2-9/16"	26 lbs.	SGFC-65	-
D	25/32"H	1-7/32"	15.4 lbs.	-	SGTY-30
	29/32"H	1-7/16"	15.4 lbs.	-	SGTY-35-15
	1-1/16"H	1-23/32"	17.6 lbs.	-	SGTY-40



Swing Hook

- Hook swivels 180° and has constant torque when swiveling
- Ideal for vibration or shock environment applications
- Made of 304 stainless steel
- Includes stainless steel screws



Item #	Dimensions	Load Capacity	Finish
SGTK-45F	1.38"W 1.69"H x 1.74"L	17 lbs.	Polished Stainless Steel

WARDROBE HOOKS



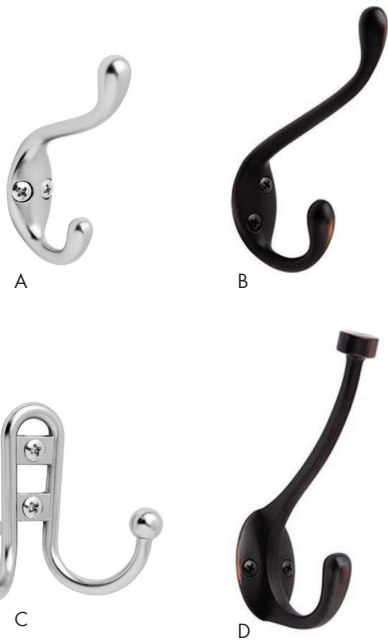
Zinc Wardrobe Hooks



- Includes (4) 8/32" x 1" installation screws
- Double prong hook
- Base: 1-1/16"

Item #	Dimensions	Finish
BER8012-BPN	3/8"W x 3-1/16"H x 4"L	Brushed Nickel
BER8013-WN	3/8"W x 3-1/16"H x 4"L	Weathered Nickel
BER8014-55	3/8"W x 3-1/16"H x 4"L	Satin Black
BER8015-ORB	3/8"W x 3-1/16"H x 4"L	Oil Rubbed Bronze
BER8016-VB	3/8"W x 3-1/16"H x 4"L	Venetian Bronze

A
B
C
D
E
F
G
H
I
J
K
L
M
N
O
P
Q
R
S
T
U
V
W
X
Y



Zinc Wardrobe Hooks



- Amerock's standard line of wardrobe hooks
- All hooks include installation screws

	Satin Nickel	Silver	Oil Rubbed Bronze
Medium Coat & Hat Hook, 3-1/4"H x 13/16"W, Projection: 2-1/2"			
A	AMH55445-G10-1	-	AMH55445-ORB-1
Large Coat & Hat Hook, 4-1/4"H x 1"W, Projection: 4"			
B	-	-	AMH55451-ORB-1
Double Prong Robe Hook, 2-7/8"H x 2-7/8"W, Projection: 1-1/2"			
C	-	AM55457-S	AMH55457-ORB-1
Pilltop Coat & Hat Hook, 5-1/2"H x 1-1/2"W, Projection: 3-1/2"			
D	-	-	AMH55465-ORB-1



Zinc Over-The-Door Hooks



- All hooks include installation screws
- Hook dimensions: 7"H x 1"W x 5-1/2"Projection

Silver Item #	White Item #	Rack Dimensions
Triple Over-The-Door Hook		
AMH55548-S-1	AMH55548-GW-1	10"H x 9"L

A UTILITY HOOKS & HANDRAIL BRACKETS

B
C
D
E
F
G
H
I
J
K
L
M
N
O
P
Q
R
S
T
U
V
W
X
Y

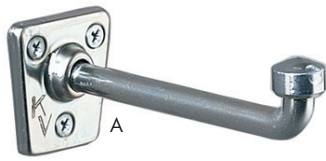


Double Ceiling Hook

IVES

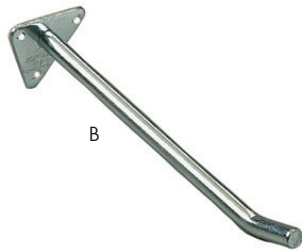
- Made of cast aluminum
- Double prong with 2-1/4" projection
- Includes installation screws

Item #	Dimensions	Finish
IV580BN	1-7/8"W x 1"H	Bright Nickel
IV580AM	1-7/8"W x 1"H	Aluminum



Utility Hooks, Steel

- KV's line of heavy duty steel utility hooks
- Tested and meets ANSI/ BHMA A156.9-2003
- Includes steel screws



	Item #	Dimensions	Finish
A	KVP3-ANO-10	10" Length	Anochrome
	KV1132-4	4" Length	Anochrome
B	KV1132-06	6" Length	Anochrome
	KV1132-10	10" Length	Anochrome



Handrail Brackets, Brass & Aluminum

IVES

- Brackets are made of solid brass and cast aluminum
- All items are supplied with screws and "U" brackets
- Sold In: Each

	Item #	Finish	Overall Dimensions	Wall to Center of Handrail	Material	Conforms to ANSI/BHMA
Small Handrail Bracket						
A	IVBP059A3	Bright Brass	1-3/8"W x 2-1/4"H	2-7/16"	Aluminum	A156.16/L33061
	IVBP059A5	Antique Brass	1-3/8"W x 2-1/4"H	2-7/16"	Aluminum	A156.16/L33061
	IVBP059B15	Satin Nickel	1-3/8"W x 2-1/4"H	2-7/16"	Brass	A156.16/L13061
Large Handrail Bracket						
B	IV59A-3	Bright Brass	1-1/2"W x 2-13/16"H	2-3/4"	Aluminum	A156.16/L33061
	IV59A-14	Bright Nickel	1-1/2"W x 2-13/16"H	2-3/4"	Aluminum	A156.16/L33061
	IV59A-92	Aluminum	1-1/2"W x 2-13/16"H	2-3/4"	Aluminum	A156.16/L33061
	IV59MB-15	Satin Nickel	1-1/2"W x 2-15/16"H	2-3/4"	Brass	A156.16/L13061

HANDRAIL BRACKETS & SPRING HINGES



Handrail Brackets



- Clean, strong, and unobtrusive, the unique two-piece design reduces the cost and improves the quality of railing installation
- Heavy gauge #380 cast aluminum alloy brackets feature matching serrated surfaces that lock together eliminating slippage
- Rakks brackets meet or exceed OSHA and ADA standards
- Mount at a maximum spacing of 36 inches into studs or blocking
- 1 set includes mounting hardware (#14 Philips flat head screws and 1/4" carriage bolt and lock nut)

Item #	Size	Use For
RKKHR-303	1-3/4" x 2-1/2"	4" - 7" Rail



Double Acting Gate Spring Hinges



- Double acting spring hinges enable doors to open in either direction and automatically return to a closed position
- Hinges have adjustable spring tension which allows the speed of door movement to be calibrated to size and weight of door
- Door flange of hinge is mortised into edge of door, hinges should not be used on doors with beveled edges
- Jamb flange of hinge is surface mounted on door jamb
- All steel construction and non-handed

Item #	Finish	Max. Door Weight/Width		Door Thickness Range	Max. Door Height	Sold In
		2 Hinge Set Up	3 Hinge Set Up			
3" Spring Hinges - includes #7 x 3/4" Screws						
BM3029-3BL	Black	35 lbs. / 2'-0"	39 lbs. / 2'-8"	3/4" to 1"	5'-0"	Per Each
BM3029-3ZC	Zinc	35 lbs. / 2'-0"	39 lbs. / 2'-8"	3/4" to 1"	5'-0"	2 Each
BM3029-3DC	Dull Chrome	35 lbs. / 2'-0"	39 lbs. / 2'-8"	3/4" to 1"	5'-0"	Per Each
4" Spring Hinges - includes #8 x 3/4" Screws						
BM3029-4BL	Black	60 lbs. / 2'-4"	75 lbs. / 3'-0"	7/8" to 1-1/4"	6'-8"	Per Each
BM3029-4ZC	Zinc	60 lbs. / 2'-4"	75 lbs. / 3'-0"	7/8" to 1-1/4"	6'-8"	2 Each
BM3029-4DC	Dull Chrome	60 lbs. / 2'-4"	75 lbs. / 3'-0"	7/8" to 1-1/4"	6'-8"	Per Each
6" Spring Hinges - includes #12 x 1-1/4" Screws						
BM3029-6BL	Black	75 lbs. / 2'-8"	107 lbs. / 3'-0"	1-1/4" to 1-3/4"	7'-0"	Per Each
BM3029-6ZC	Zinc	75 lbs. / 2'-8"	107 lbs. / 3'-0"	1-1/4" to 1-3/4"	7'-0"	2 Each
BM3029-6DC	Dull Chrome	75 lbs. / 2'-8"	107 lbs. / 3'-0"	1-1/4" to 1-3/4"	7'-0"	Per Each

A
B
C
D
E
F
G
H
I
J
K
L
M
N
O
P
Q
R
S
T
U
V
W
X
Y

A SPRING HINGES



Double Acting, Light Duty Gate Spring Hinge



- Made in the USA
- Conforms to ANSI K84243
- Steel material, Black finish
- Non-handed, non-adjustable tension
- Surface mounted to the gate and the jamb
- Gate hinge is supplied with (12) #7 x 3/4" wood screws

Item #	Hinge Size	Door Thickness	Max. Door Width	Min. Door Height	Max. Door Weight
BM9700-601BL	2-3/4"	3/4" to 1-1/8"	36"W	36"H	30 lbs.



Double Acting, Light Duty Louver Door Spring Hinge



- Designed for louver doors, does not hold door open
- Conforms to ANSI K81243
- Steel material non-handed
- Door flange is either surface mounted or mortised
- Jamb flange is surface mounted
- Includes wood screws (12) #7 x 3/4"

Finish	7/8"-1" Thick Item #	Min Door Height	Max Door Weigh/Width
Dull Zinc	BM1514-603ZC	38"	18 lbs./18"



Single Acting Gate Spring Hinges



- Hinges have adjustable spring tension which allows the speed of the door movement to be calibrated to the door's size and weight, opens in one direction and automatically return to closed
- Conforms to ANSI Specification K81011
- Steel material non-Handed
- Pivot Points do not align with standard full mortise hinges

Item #	Finish	Max. Door Weight/ Width		Door Thickness
		2 Hinge	3 Hinge	
3" Spring Hinges, includes #7 x 3/4" Screws				
BM4010-3DC	Dull Chrome	45 lbs. / 2'-4"	65lbs. / 2'-8"	3/4"-1"
6" Spring Hinges				
BM4010-6DC	Dull Chrome	125 lbs. / 3'-0"	155lbs. / 4'-0"	1-3/4"

SCREEN DOOR & PIVOT HINGES

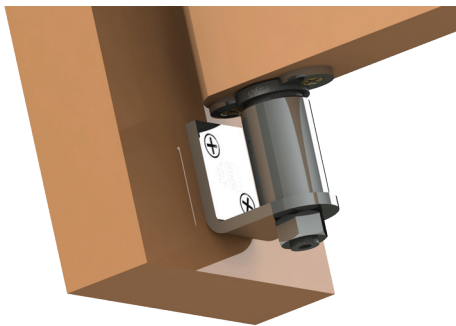


Double Acting Surface Mount Pivot Spring Hinge Kits



- Opens doors in both directions and automatically returns to the closed position
- Designed for toilet partition doors and gate doors
- Conforms to ANSI K63201
- Easily adjustable spring tension allows the hinge to be calibrated to door's size and weight
- Steel material, ball bearing, non-handed
- Doors must be at least 1" thick and door jamb at least 1-1/4" wide for hinge to adjust
- Kit Includes: (1) Pivot hinge, (1) Pivot hinge jamb & door bracket, (1) Top pivot assembly with jamb bracket, (8) #12 x 1-1/4" flat head wood screws and (2) #10 x 1" flat head wood screws

Item #	Finish	Max. Weight	Max Width	Max Thickness
BM7112-601BL	Black	75 lbs.	36"	2-1/2"
BM7112-603	Zinc	75 lbs.	36"	2-1/2"
BM7112-632BB	Bright Brass	75 lbs.	36"	2-1/2"
BM7112-633	Dull Brass	75 lbs.	36"	2-1/2"
BM7112-652DC	Dull Chrome	75 lbs.	36"	2-1/2"

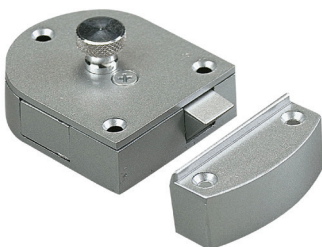


Double Acting, Gravity Pivot, Louver Hinge Kit



- No spring, weight of door allows door to close after opening
- Non-handed, Dull Chrome finish
- Pivot edge of the door will have to be rounded to 7/8" radius from the pivot center line to clear jamb
- Door jamb must be a minimum of 1-1/4" wide for hinge to operate
- Kit Includes: (1)Pivot hinge and door bracket, (1)top pivot assembly with jamb bracket and (8) #10 x 1" flat head wood screws

Item #	Kit Type	Max. Weight	Max. Width	Max. Thickness
BM7512H-652DC	Hold Open at 90°	50 lbs.	30"	7/8" to 1-5/8"



Aluminum Door Latches



- For one way swinging gates
- Reversible for either right or left hand operation
- Operated by finger pressure to underside of latch, knob has no effect on operation

Item #	Dimensions	Material	Finish
KV989-AL	2-3/8"W x 2"H	Aluminum	Aluminum

A PASSAGE DOOR HARDWARE

A
B
C
D
E
F
G
H
I
J
K
L
M
N
O
P
Q
R
S
T
U
V
W
X
Y

Door Stops

- All items are poly-bagged, screws included
- Sold In: Per Each

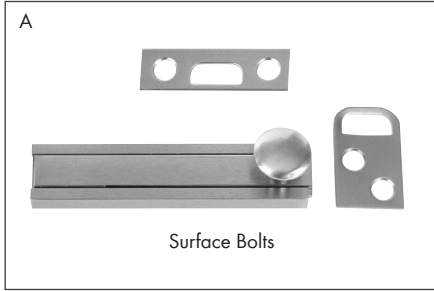
IVES



	Item #	Finish	Overall Dimensions	Projection	Mounting Type	Material	Conforms to ANSI/BHMA
Wall Bumper							
A	IV404B-26D	Satin Chrome	1" Diameter	17/32"	Wall	Brass	-
	IV404B-3	Bright Brass	1" Diameter	17/32"	Wall	Brass	-
Dome Stop – Designed For Passage Doors Without A Threshold							
B	IV436PA-28	Aluminum	1-3/4" x 2" Oval	1"	Floor	Aluminum	156.6, L32141
Elevated Dome Stop – Designed For Passage Doors With A Threshold Or Undercut Doors							
C	IV438PA-28	Aluminum	1-3/4" x 2" Oval	1-3/8"	Floor	Aluminum	156.6, L32141
Floor Stops – Designed For Doors With An Undercut Up To 2-1/2"							
D	IV448B-3	Bright Brass	2-1/2" Diameter	3"	Floor	Brass	156.16, L12121
	IV448PA-28	Aluminum	2-1/2" Diameter	3"	Floor	Aluminum	156.16, L32121
Kick Stops – Designed For Door To Floor Clearances Of 2" Or Less							
E	IV455A-3	Bright Brass	1-3/4"W x 1-3/4"H	2"	Door	Aluminum	156.16, L31382
	IV455A-92	Aluminum	1-3/4"W x 1-3/4"H	2"	Door	Aluminum	156.16, L31382
Flexible Wall Stops							
F	IVBPO60F14	Bright Nickel	-	3"	Wall	Steel	A156.16
Screw-In Fixed Wall Stops							
G	IV61A-3	Bright Brass	-	4"	Wall	Aluminum	-
	IV61A-92	Aluminum	-	4"	Wall	Aluminum	-
	IV61MB-3	Bright Brass	-	4"	Wall	Brass	-
	IV61MB-10B	Oil Rub Bronze	-	4"	Wall	Brass	-
	IV61MB-26	Bright Chrome	-	4"	Wall	Brass	-
	IV61MB-26D	Satin Chrome	-	4"	Wall	Brass	-
Hinge Type – Door Opening Adjustments = 85° to 125°							
H	IV70A-3	Bright Brass	-	-	Hinge	Aluminum	-
	IV70A-92	Aluminum	-	-	Hinge	Aluminum	-

PASSAGE DOOR HARDWARE

IVES

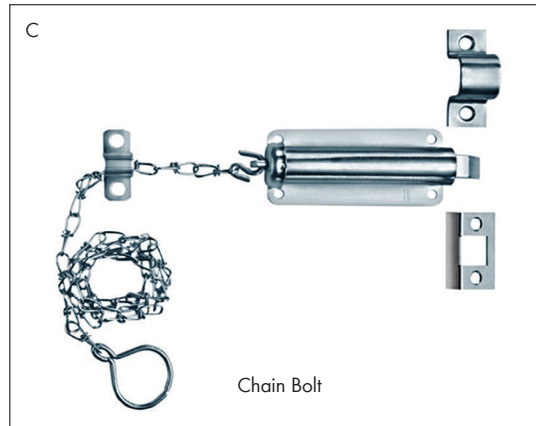
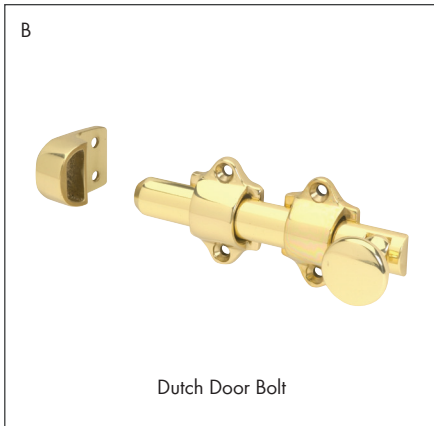


Surface Mounted Door Bolts

- Made of brass or aluminum
- Chain Bolt type has a spring mechanism that returns the bolt into the locked position
- Spring Bolt lock can be locked with a pad lock
- Poly-bagged with screws included

Packing: As shown below.

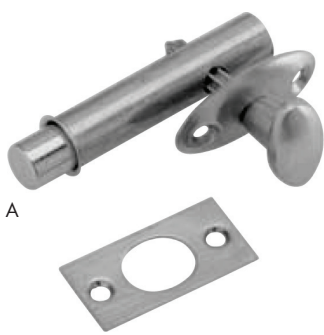
Sold In: Both broken and full box quantities.



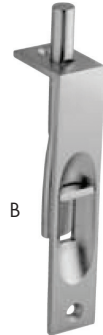
Item #	Finish	Overall Dimensions	Bolt Throw Length	Mounting Type	Material	Box Qty	
Surface Bolts – Concealed Screws							
A	IV40-3CH	Bright Chrome	11/16"W x 3/4"H x 3"L	3/4"	Surface	Brass	10
	IV40B10B3	Oil Rubbed Bronze	11/16"W x 3/4"H x 3"L	3/4"	Surface	Brass	10
	IV40B153	Satin Nickel	11/16"W x 3/4"H x 3"L	3/4"	Surface	Brass	10
	IV40B26D3	Satin Chrome	11/16"W x 3/4"H x 3"L	3/4"	Surface	Brass	10
	IV40B10B4	Oil Rubbed Bronze	11/16"W x 3/4"H x 4"L	7/8"	Surface	Brass	10
	IV40B154	Satin Nickel	11/16"W x 3/4"H x 4"L	7/8"	Surface	Brass	10
	IV40B26D4	Satin Chrome	11/16"W x 3/4"H x 4"L	7/8"	Surface	Brass	10
Dutch Door Bolt – Designed For Door To Floor Clearances Of 2" Or Less							
B	IVBP054MB3	Bright Brass	1-5/8"W x 1-1/8"H x 4-3/8"L	3/4"	Surface	Brass	5
Chain Bolt – Includes 26" Chain							
C	EPCB3ZP	Zinc Plated	1-1/2"W x 3"L	1/2"	Surface	Steel	100

A
B
C
D
E
F
G
H
I
J
K
L
M
N
O
P
Q
R
S
T
U
V
W
X
Y

A PASSAGE DOOR HARDWARE



Mortise Bolt



Manual Flush Bolt

Mortised Door Bolts

IVES

- Bolts are made of a Cast Brass
- Flush bolt has double action spring design that automatically holds bolt in open and closed position
- Poly-bagged with screws included
- Sold In: Per Each

	Item #	Finish	Overall Dimensions	Bolt Throw Length	Mounting Type	Material
Mortise Door Bolt						
A	IVS48B-3	Bright Brass	9/16" Dia. x 2-1/2"L	1/2"	Mortise	Brass
Manual Flush Bolts – Small & Large						
B	IV262BR	Bright Brass	3/4"W x 1-11/32"D x 6"L	1"	Mortise	Brass
	IV262AB	Antique Brass	3/4"W x 1-11/32"D x 6"L	1"	Mortise	Brass
	IV262SN	Satin Nickel	3/4"W x 1-11/32"D x 6"L	1"	Mortise	Brass
	IV262BC	Bright Chrome	3/4"W x 1-11/32"D x 6"L	1"	Mortise	Brass
	IV262SC	Satin Chrome	3/4"W x 1-11/32"D x 6"L	1"	Mortise	Brass



Casement Fasteners & Strike



Handles & Locks

IVES

- Premium line of window handles and locks
- Made of brass and aluminum
- Window locks and casement fasteners are designed to be weather-tight fastening and security
- All items are supplied with screws
- Sold In: Each

	Item #	Finish	Overall Dimensions	Projection	Material	Conforms to ANSI/BHMA
Handles						
A	IVBP026A3	Bright Brass	4"W x 1-1/8"H	1-1/16"	Aluminum	A156.16
	IVBP026A92	Aluminum	4"W x 1-1/8"H	1-1/16"	Aluminum	A156.16
	IVBP026MB3	Bright Brass	4"W x 1-1/8"H	1-1/16"	Brass	A156.16
Window Lock – Crescent Type						
B	IVBP07A3	Bright Brass	2-9/16"W x 15/16"H	-	Aluminum	156.16
	IVBP07MB3	Bright Brass	2-9/16"W x 15/16"H	-	Brass	156.16
Casement Fastener – Includes Surface Strikes						
C	IVBP066A3SS	Bright Brass	7/8"W x 1-5/8"H	1-3/8"	Aluminum	A156.16
	IVBP066B26DSS	Satin Chrome	7/8"W x 1-5/8"H	1-3/8"	Brass	A156.16

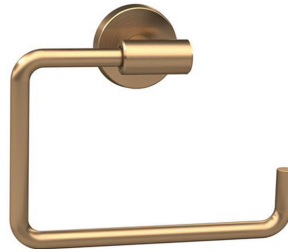
BATH HARDWARE

Arrondi™

• Sold In: Per Each



A. Tissue Roll Holder



B. Towel Ring



C. Robe Hook



D. Towel Bar, 18"



E. Towel Bar, 24"



F. Double Towel Bar, 24"



G. Towel Bar, 9"

	Golden Champagne Item #	Matte Black Item #	Polished Stainless Steel Item #	Stainless Steel Item #	Description	Ctr to Ctr	Overall Length	Proj.
A	AM26540-BBZ	AM26540-MB	AM26540P-SS	AM26540-SS	Tissue Roll Holder	-	7-1/4"	2-3/4"
B	AM26541-BBZ	AM26541-MB	AM26541P-SS	AM26541-SS	Towel Ring	-	6-3/8"	2-1/8"
C	AM26542-BBZ	AM26542-MB	AM26542P-SS	AM26542-SS	Robe Hook	-	2"	2"
D	AM26543-BBZ	AM26543-MB	AM26543P-SS	AM26543-SS	Towel Bar, 18"	18"	21"	3-1/4"
E	AM26544-BBZ	AM26544-MB	AM26544P-SS	AM26544-SS	Towel Bar, 24"	24"	26-7/8"	3-1/3"
F	AM26545-BBZ	AM26545-MB	AM26545P-SS	AM26545-SS	Dble Towel Bar, 24"	24"	26-7/8"	5"
G	AM26546-BBZ	AM26546-MB	AM26546P-SS	AM26546-SS	Towel Bar, 9"	9"	11-5/8"	2-3/4"

A
B
C
D
E
F
G
H
I
J
K
L
M
N
O
P
Q
R
S
T
U
V
W
X
Y

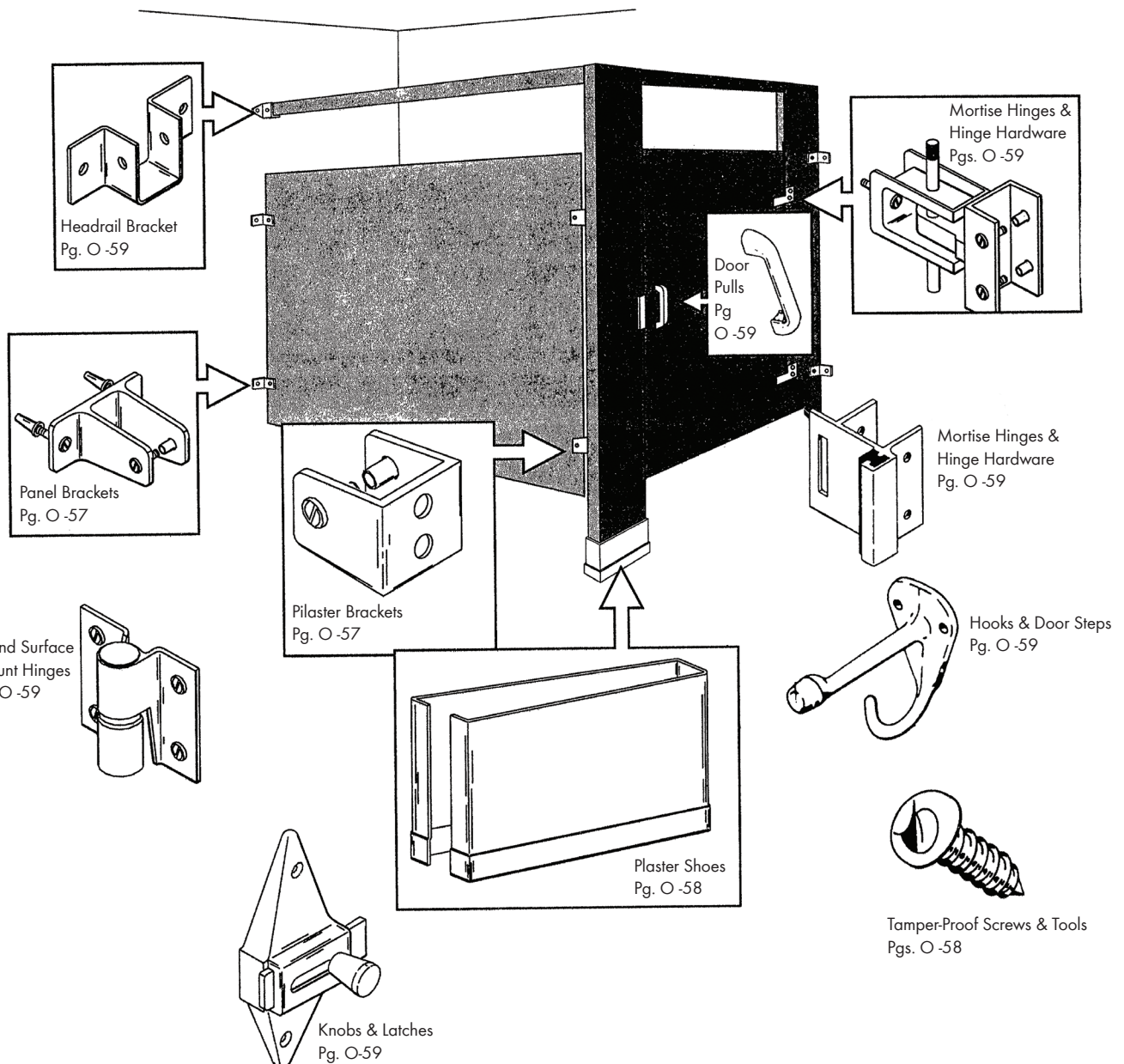
A TOILET PARTITION HARDWARE

B Toilet Partition Hardware Technical Information



Jacknob® Corp. has been supplying the highest quality partition hardware for over 40 years. The following pages depict just some of the items that are available from Würth Louis and Company's inventory. There are literally hundreds of additional items available on special order as well as other finishes (brass, polished brass and cast or stamped stainless steel). Special orders are shipped within 72 hours.

About ADA Compliance: The American Disabilities Act (ADA) of 1992 was enacted to make accessible all areas of public, municipal and commercial buildings to the physically challenged. Public lavatories and restrooms require special consideration to comply with these new and vigorously enforced regulations. The Jacknob® Corporation has placed specific emphasis on thoroughly understanding and providing the correct hardware to satisfy these new laws, and is ready to supply what you need to come up to code. While their hardware meets or exceeds the new ADA guidelines, they and Würth Louis and Company do indemnify ourselves as corporate and individual entities against situations of installation and actions of others as beyond our control.



TOILET DOOR HARDWARE KIT



Mortise Hinge Kits - Swing-In & Swing-Out Versions

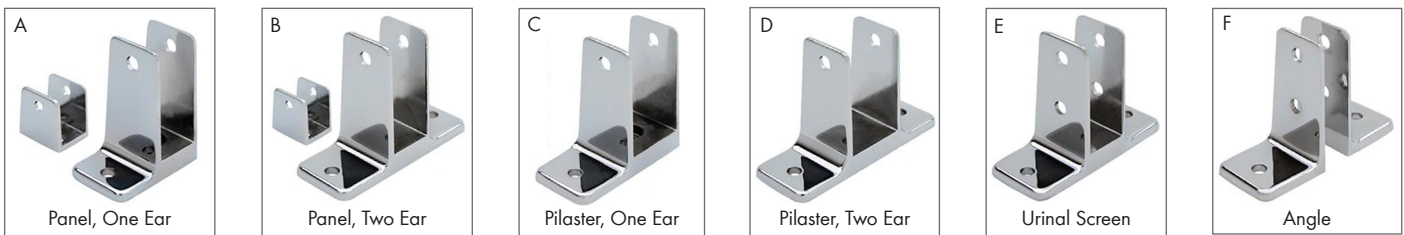


- In-swing means the partition door will swing in towards the toilet
- Out-swing means the partition door will swing away from the toilet
- Zamak with Chrome finish
- Mortise hinges provide 110° of opening
- All hardware kits will complete one door
- Mortise hinges are designed to be used on partitions/pilasters that are 1-1/4" thick
- All hardware kits are supplied with mounting screws

Item #	Door Thickness	Kits Include:
In-Swing		
JK17800	7/8" Door	(1)110° Top Hinge, (1)Top Insert, (1)110° Bottom Hinge, (1) Bottom Insert, (1) Hinge Pin, Strike/Keeper, (1)Latch, & (1) Hook
Out-Swing		
JK27800	7/8" Door	(1)110° Top Hinge, (1) Top Insert, (1)110° Bottom Hinge, (1) Bottom Insert, (1) Hinge Pin, Strike/Keeper, (1) Latch, (1) Hook & (1) Door Pull

Partition Bracket Kits

- All hardware kits include hardware and screws to install one panel, except for the headrail bracket
- Zamak material with Chrome finish



Item #	Designed for Panel Thickness/ Number of Ears	Kit Includes
Panel Bracket Kits – Used To Attach Panel To Wall And Pilaster		
A JK15090	For 7/8" Panel/One Ear Brackets	(2)Wall Brackets, (2)"U" Brackets & Mounting Screws
B JK15020	For 7/8" Panel/Two Ear Brackets	(2)Wall Brackets, (2)"U" Brackets & Mounting Screws
Pilaster Bracket Kits – Used To Attach Pilaster To Wall		
C JK15230	For 1-1/4" Pilaster/One Ear Brackets	(2)Wall Brackets & Mounting Screws
D JK15220	For 1-1/4" Pilaster/Two Ear Brackets	(2)Wall Brackets & Mounting Screws
Urinal Screen Bracket Kits – Used For Wall Hung Screens		
E JK15420	For 7/8" Screen/Two Ear Brackets	(3)Wall Brackets & Mounting Screws
Angle Bracket Kits – Used To Attach Panel To Wall		
F JK15530	For Any Size Panel	(1)Wall Bracket & Mounting Screws

A
B
C
D
E
F
G
H
I
J
K
L
M
N
O
P
Q
R
S
T
U
V
W
X
Y

A TOILET PARTITION HARDWARE



Toilet Partition Hardware



- One-Way slotted screws can only be removed with one-way screw removers
- All screws and barrel nuts are made of steel and have a chrome plated finish

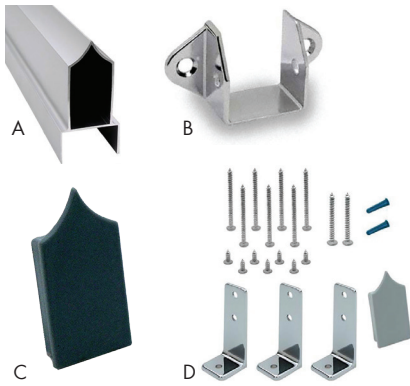
A
B
C
D
E
F
G
H
I
J
K
L
M
N
O
P
Q
R
S
T
U
V
W
X
Y

Item #	Description	Includes
Screw Packs – Sold in Pack		
A JK10	1-1/4" Hinge or Strike and Keeper	(2) 5/8" One-Way Barrel Nuts & (2) 1-3/16" One-Way Shoulder Screws
B JK20	For 1" Wall Brackets	(2) Plastic Anchors, (2) 5/8" One-Way Barrel Nuts, (2) 15/16" One-Way Shoulder Screws, (2) #12 X 5/8" Pan Head Screws, & (2) #12 X 1-1/2" Pan Head Screws
C JK50	For Surface Mount Latch	(2) 8-32 X 1" One-Way Machine Screws, (2) 8-32 x 1-1/8" One-Way Machine Screws, & (2) 5/8" Un-Slotted Barrel Nuts
D JK100	Hooks and Door Stops	(3) #10 X 1" One-Way Tapping Screws
One-Way Screw Removers – Sold in Each		
E JK8925	One-Way Screw Remover	Can remove sizes 8-10
E JK8935	One-Way Screw Remover	Can remove sizes 12-14
E JK8905	One-Way Screw Remover - 3 Pack	(1) (Sizes 6-8), (1) (Sizes 8-10) & (1) (Sizes 12-14)
Pilaster Post Shoe Kit		
F JK30810	Pilaster Post Shoe Kit For 1-1/4" Pilaster - (2) Post Shoes and all necessary hardware and screws to install one panel	
F JK30999	(2) 3"H x 10"L Spacer Plates - Made of Stainless Steel with a Stainless Steel finish	
Tissue Holders		
G JK7359	3-1/2" c/c Screw Hole, Single Tissue Holder (2-11/16"H x 5-7/8"L x 4" Projection), Made of Steel, Chrome Finish	
H JK7369	3-1/2" c/c Screw Hole, Double Tissue Holder (2-11/16"H x 11"L x 4" Projection), Made of Steel, Chrome Finish	

Barrel Nuts – One-Way Slotted Truss Head, 10-24 Thread (Bag Qty Only)				Bag Qty
I	JK990009703	One-Way Slotted Barrel Nuts	1/2"L x 3/8" Thread Depth	100
I	JK990009713	One-Way Slotted Barrel Nuts	5/8"L x 1/2" Thread Depth	100
Shoulder Screws – One-Way Slotted Truss Head, 10-24 Thread (Bag Qty Only)				
J	JK990009783	One-Way Slotted Shoulder Screws	3/4" Length	100
J	JK990009823	One-Way Slotted Shoulder Screws	1-5/16" Length	100
Sheet Metal Screws – One-Way Slotted Round Head, Type A (Bag Qty Only)				
K	JK9173	One-Way Slotted Sheet Metal Screw	#10 x 5/8"	100

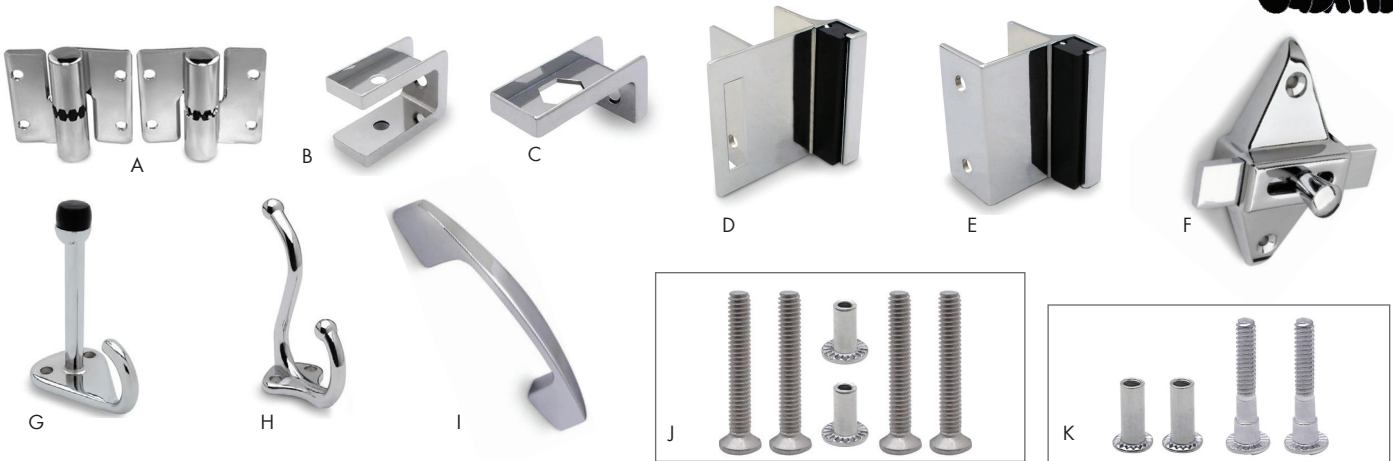
TOILET DOOR HARDWARE

Headrail & Brackets



	Item #	Description	Material / Finish
A	JK80152	10' Headrail for 1-1/4" post	Anodized Aluminum/Aluminum
B	JK2170	1-1/4" headrail wall bracket	Zamak / Chrome
C	JK6675	End Cap for headrails	Nylon / Gray
D	JK15790	Corner Bracket Kit for Headrail Includes: (3) "L" Brackets, (1) End Cap, & Mounting Screws	Zamak / Chrome

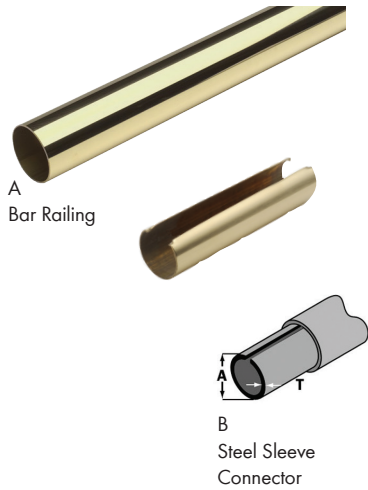
Toilet Door Hardware Components



	Item #	Description	Door Type	Material/Finish	For Door Thickness	For Pilaster Size
A	JK7011	Surface Mount Hinges	Right Hand In-Swing / Left Hand Out-Swing	Brass/Chrome Plated	-	-
	JK7021	Surface Mount Hinges	Left Hand In-Swing / Right Hand Out-Swing	Brass/Chrome Plated	-	-
B	JK1540	Mortise Top Insert	In-Swing/Out-Swing	Zamak/Chrome	7/8"	1-1/4"
C	JK1530	Mortise Bottom Insert	In-Swing/Out-Swing	Zamak/Chrome	7/8"	1-1/4"
D	JK5110	Strike/Keeper	In-Swing	Zamak/Chrome	7/8" & 1"	1-1/4"
E	JK5210	Strike/Keeper	Out-Swing	Zamak/Chrome	7/8" & 1"	1-1/4"
F	JK5020	Latch	In-Swing/Out-Swing	Zamak/Chrome	7/8" & 1"	1-1/4"
G	JK4000	Single Prong Hook	In-Swing	Zamak/Chrome	7/8" & 1"	1-1/4"
H	JK4020	Double Prong Hook	Out-Swing	Zamak/Chrome	7/8" & 1"	1-1/4"
I	JK6200	Door Pull	Out-Swing	Zamak/Chrome	7/8" & 1"	1-1/4"
J	JK50	Screws for Latch, (2) 1" Screws, (2) 1-1/8" Screws & (2) 5/8" Barrel Nuts		Zamak/Chrome	-	-
K	JK10	Screw Pack for Strike/Keepers, (2) 5/8" Barrel Nuts & (2) 1-3/16" Shoulder Screws		Zamak/Chrome	-	-

A
B
C
D
E
F
G
H
I
J
K
L
M
N
O
P
Q
R
S
T
U
V
W
X
Y

BAR & FOOT RAILING ACCESSORIES



A
Bar Railing

B
Steel Sleeve
Connector

1-1/2" & 2" Dia. Solid Brass/Stainless Steel Railing



- Bright Brass finish is made of solid brass
- Satin Stainless Steel finish is made of 304 stainless steel, rust resistant
- Railing is 3/64" thick
- Bar railing sleeves have an inside friction fit which tightly connects two lengths of railing together
- Sleeves are sold separately below

	Dimensions	Length	Bright Brass Item #
A	1-1/2"Dia. x 3/64"Thick	6'	LVA110/1H-6
	1-1/2"Dia. x 3/64" Thick	8'	LV00A110/8
	1-1/2"Dia. x 3/64" Thick	12'	LVA110/1H-12
	2"Dia. x 3/64" Thick	4'	LV00A120/4
	2"Dia. x 3/64" Thick	6'	LVA120/2-6
	2"Dia. x 3/64" Thick	8'	LV00A120/8
	2"Dia. x 3/64" Thick	12'	LVA120/2-12
	Sleeve Item #	Description	
B	LV00830/1H	1-1/2" diameter sleeve connector	
	LV00830/2	2" diameter sleeve connector	

	Dimensions	Length	Satin Stainless Steel Item #
A	1-1/2"Dia. x 3/64"Thick	6'	LVA110/1HSSS
	1-1/2"Dia. x 3/64" Thick	8'	LV44A110/8
	1-1/2"Dia. x 3/64" Thick	12'	LVA110/1HSSS-12
	2"Dia. x 3/64" Thick	4'	LV44A120/4
	2"Dia. x 3/64" Thick	6'	LVA120/2SSS-6
	2"Dia. x 3/64" Thick	8'	LV44A120/8
	2"Dia. x 3/64" Thick	12'	LVA120/2SSS-12
	Sleeve Item #	Description	
B	LV00830/1H	1-1/2" diameter sleeve connector	
	LV00830/2	2" diameter sleeve connector	



A. Full Round



B. Cut Flanges

Bar Railing Wall & Cut Flanges Stainless Steel

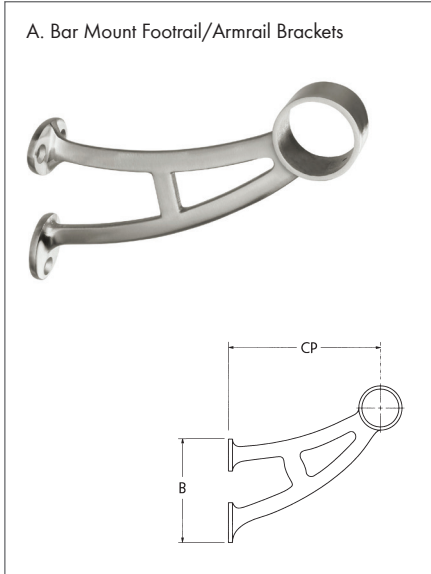


- Satin Stainless Steel finish is made of 304 stainless steel
- Screws included

	Dimensions	Fits Railing Diameter	Item #
Full Round Flanges			
A	3"D x 1-1/4"H	1-1/2"	LV510/1HSSS
	4"D x 1-1/4"H	2"	LV49530/2
Cut Flanges			
B	4"D x 2-1/2"W	2"	LV44531/2

BAR & FOOT RAILING ACCESSORIES

A. Bar Mount Footrail/Armrail Brackets



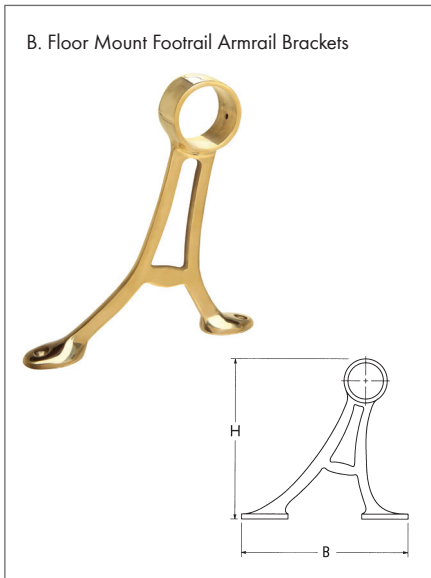
Solid Brass & Stainless Steel Footrails



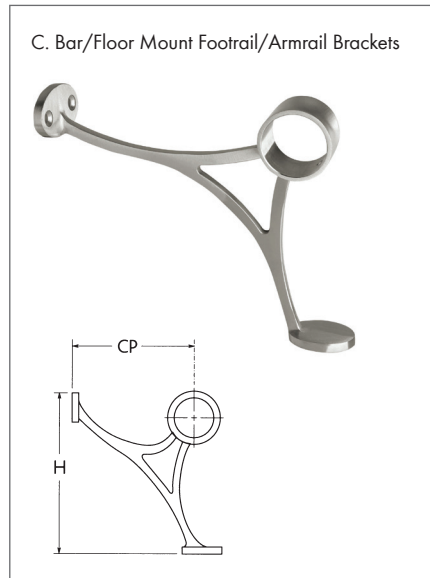
- Bright Brass finish is made of solid brass
- Satin Stainless Steel finish is made of 304 stainless steel
- 4' spacing between brackets is recommended
- Sold with screws

	Dimensions	Fits Railing Size	Bright Brass Item #	Satin Stainless Steel Item #
Bar Mount Footrail/Armrail Brackets				
A	6-1/16"CP x 4"B	1-1/2"	LV402/1H	LV402/1HSSS
	6-7/8"CP x 4-1/4"B	2"	LV402/2	LV402/2SSS
Floor Mount Footrail/Armrail Brackets				
B	6"CP x 6-5/16"B	1-1/2"	LV404/1H	-
	6-1/8"CP x 6-11/16"B	2"	LV404/2	-
Bar/Floor Mount Footrail/Armrail Brackets				
C	6-7/16"CP x 6-5/8"H	1-1/2"	LV400/1H	LV400/1HSSS
	6-1/8"CP x 7"H	2"	LV400/2	LV400/2SSS

B. Floor Mount Footrail Armrail Brackets



C. Bar/Floor Mount Footrail/Armrail Brackets



A
B
C
D
E
F
G
H
I
J
K
L
M
N
O
P
Q
R
S
T
U
V
W
X
Y

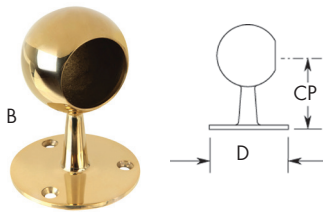
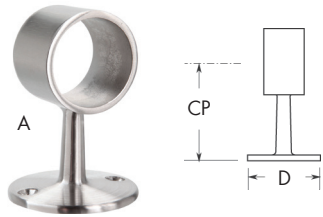
A BAR RAILING ACCESSORIES

A
B
C
D
E
F
G
H
I
J
K
L
M
N
O
P
Q
R
S
T
U
V
W
X
Y



Bar Railing Handrail/Post Brackets

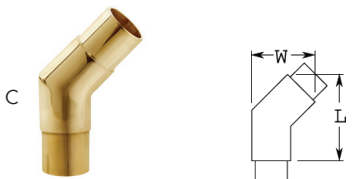
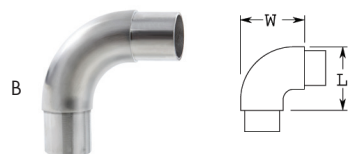
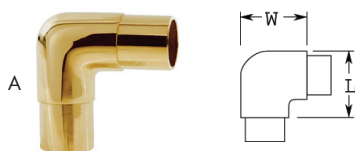
- Bright Brass finish is made of solid brass
- Satin Stainless Steel finish is made of 304 stainless steel
- Sold with screws



	Dimensions	Railing Size	Bright Brass Item #	Satin Stainless Steel Item #
Flush Center Post				
A	2-7/16"CP x 2-5/16"D	1-1/2"	LV342/1H	LV342/1HSSS
Ball End Post				
B	2-3/4"CP x 2-15/16"D	1-1/2"	LV00330/1H	-
Ball Center Post				
C	5"CP x 3-1/4"D	2"	LV00336/2	-
Standard Handrail Bracket				
D	2-1/2"CP x 2-1/2"D	1-1/2"	LV301/1H	LV301/1HSSS
	2-3/4"CP x 2-1/2"D	2"	LV301/2	LV301/2SSS

**Bar Railing Flush & Ball Fittings
Solid Brass & Stainless Steel**

- Bright Brass finish is made of solid brass
- Satin Stainless Steel finish is made of 304 stainless steel

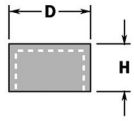


	Dimensions	Fits Railing Size	Bright Brass Item #	Satin Stainless Steel Item #
90° Ell Flush Fittings				
A	2"W x 2"L	1-1/2"	LV00732/1H	LV732/1HSSS
	2-1/2"W x 2-1/2"L	2"	LV00732/2	LV732/2SSS
Radius Ell Flush Fittings				
B	2-7/8"W x 2-7/8"L	1-1/2"	LV731/1H	LV731/1HSSS
	3"W x 3"L	2"	LV731/2	LV731/2SSS
135° Angle Flush Fittings				
C	2-15/16"W x 3"L	1-1/2"	LV730/1H	LV730/1HSSS
	2-7/8"W x 3-3/8"L	2"	LV730/2	LV730/2SSS
Ball 90° Ell Traditional Fittings				
D	2-1/2"D x 2-3/4"L	1-1/2"	LV702/1H	LV702/1HSSS
	3-1/4"D x 3-1/4"L	2"	LV702/2	LV702/2SSS

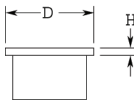
BAR/FOOT RAILING ACCESSORIES



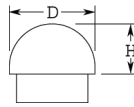
A
Outer End Cap



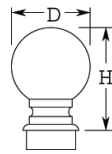
B
Inner End Cap



C
Half Ball End Cap



D
Ball Finial



**Bar Railing End Caps & Finials
Solid Brass & Stainless Steel**



- Caps the open rail ends of handrails and footrails
- Bright Brass finish is made of solid brass
- Satin Stainless Steel finish is made of 304 stainless steel

Bright Brass Finish			
	Dimensions	Railing Size	Item #
Outer End Cap			
A	2-1/8"D x 7/8"H	2"	LV00600W/2
Inner End Cap			
B	1-1/2"D x 1/8"H	1-1/2"	LV600/1H
	2"D x 1/8"H	2"	LV600/2
Half Ball End Cap			
C	1-1/2"D x 3/4"H	1-1/2"	LV00602/1H
	2"D x 1"H	2"	LV00602/2
Ball Finials			
D	2-5/8"D x 3-1/4"H	1-1/2"	LV604/1H
	3-1/8"D x 4-1/2"H	2"	LV00604/2
Satin Stainless Steel Finish			
	Dimensions	Railing Size	Item #
Inner End Cap			
B	1-1/2"D x 1/8"H	1-1/2"	LV600/1HSSS
	2"D x 1/8"H	2"	LV600/2SSS
Half Ball End Cap			
C	1-1/2"D x 3/4"H	1-1/2"	LV602/1HSSS
	2"D x 1"H	2"	LV602/2SSS



A



B

**Brass Bar Railing
Accessories**



Item #	Description
Metal Polish	
A LVLLPC	Metal polish used to repolish uncoated brass, aluminum and stainless steel (6.33 oz. tube)
Contact Cement	
B LVLWA	Contact cement used to firmly adhere solid brass connections. Anaerobic cement sets in the absence of air - container is only half full (1 oz.)

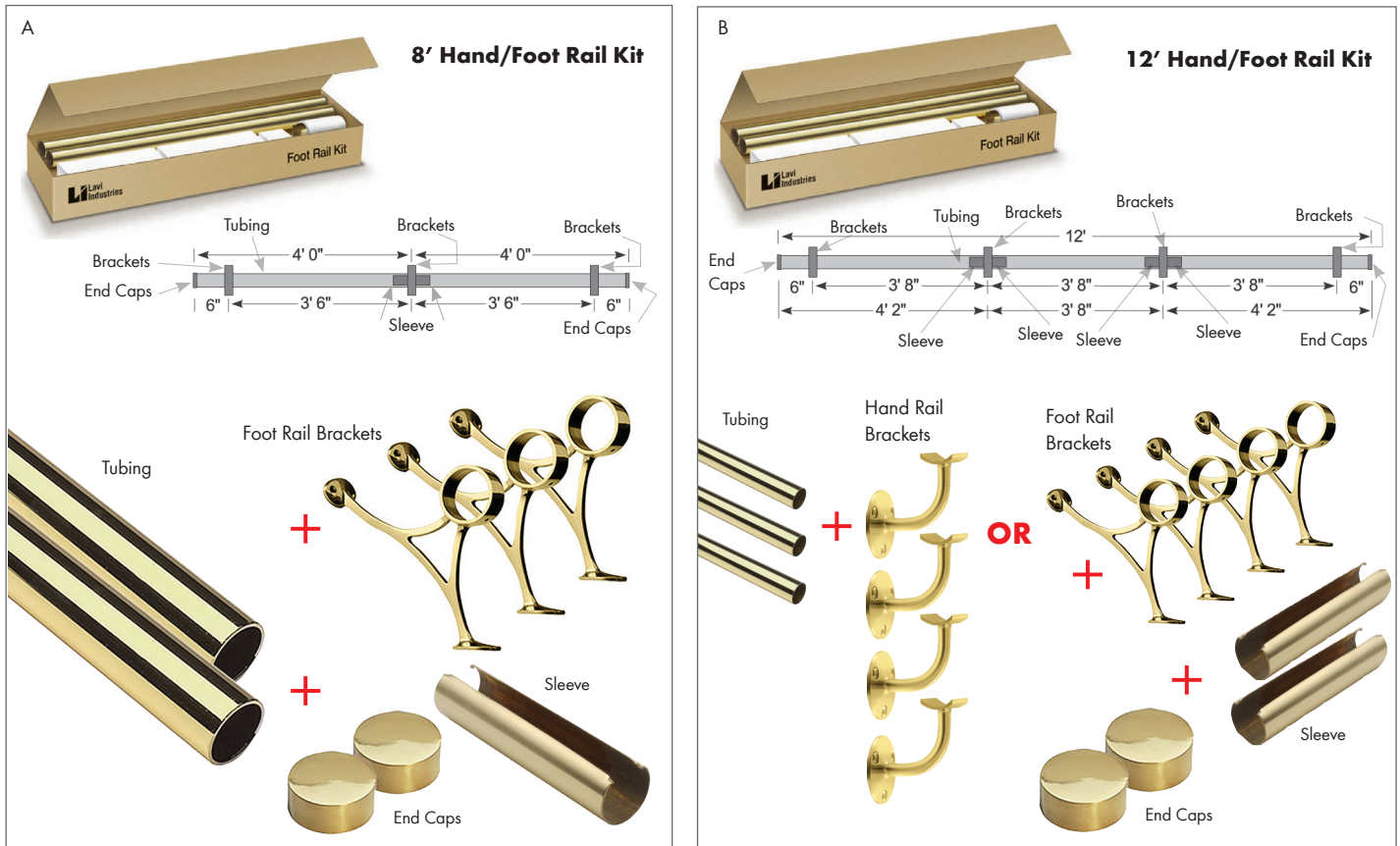
A
B
C
D
E
F
G
H
I
J
K
L
M
N
O
P
Q
R
S
T
U
V
W
X
Y

A BAR/FOOT RAILING KITS

Hand & Foot Rail Kits, 1-1/2" & 2" Diameter Tubing



- Handrail kits feature 1-1/2" diameter tubing while foot rail kits include 2" diameter rails
- Kits include all material necessary to construct 8' or 12' long straight railing system
- Hand and foot rail kits are available in Bright Brass and Satin Stainless Steel finishes
- All kit components are securely packaged together in a single box to provide convenient transport to the job site and easy assembly/installation



	Bright Brass Item #	Stainless Steel Item #	Description	Kit Includes
A	LVO0FR1008/2	LV44FR1008/2	8' Foot Rail Kit	(2) 2" Dia. x 4'L Rails, (3) Brackets, (1) Internal Sleeve, & (2) End Caps
B	LVO0HR1012/1H	LV44HR1012/1H	12' Hand Rail Kit	(1) 1-1/2"Dia. X 3'8"L Rail, (2) 1-1/2"Dia. X 4'2" Rails, (4) Brackets, (2) Internal Sleeves, & (2) End Caps
	LVO0FR1012/2	LV44FR1012/2	12' Foot Rail Kit	(1) 2"Dia. x 3'8"L Rail, (2) 2"Dia. x 4'2" Rails, (4) Brackets, (2) Internal Sleeves, & (2) End Caps



C



D

Accessories

Item #	Description
C	LVL LPC Metal polish used to re-polish uncoated brass, aluminum and stainless steel (6.33 oz. tube)
D	LVL WA Contact cement used to firmly adhere solid brass connections. Anaerobic cement sets in the absence of air - container is only half full (1 oz.)