

# WÜRTH LOUIS AND COMPANY

## 2022/2023 CATALOG

### Würth Louis and Company

895 Columbia Street  
Brea, CA 92821  
(714) 529-1771  
(800) 422-4389  
Fax: (800) 446-9452  
[www.wurthlac.com](http://www.wurthlac.com)

### Other locations:

Anaheim, CA  
Benton, AR  
Boise, ID  
Denver, CO  
Grand Prairie, TX  
Houston, TX

Idaho Falls, ID  
Lacey, WA  
Las Vegas, NV  
Oklahoma City, OK  
Phoenix, AZ  
Portland, OR

Post Falls, ID  
Salt Lake City, UT  
San Antonio, TX  
San Marcos, CA  
St. George, UT  
West Jordan, UT

# TABLE OF CONTENTS

**A** **Decorative Hardware**  
Knobs / Pulls / Handles



**B** **Concealed Hinges**  
Euro Hinges / Face Frame Hinges



**C** **Lift Systems & Semi-Concealed Hinges**  
Lift Systems / Stays /  
Institutional Hinges / Invisible Hinges /  
Semi-Concealed Hinges /  
Knife Hinges / Glass Door Hinges




**D** **Locks, Latches & Catches**  
Cabinet Locks / Magnetic Catches /  
Touch Latches / Roller Catches /  
Elbow Catches / Ball Catches



**E** **Drawer Slides**  
Epoxy Drawer Slides /  
Ball Bearing Drawer Slides /  
Undermount Drawer Slides /  
File Drawer Systems / Pocket Door Slides



**F** **Standards & Brackets**  
Standards & Brackets /  
Pilasters & Clips



**G** **Drawer Construction Systems**  
Drawer Sides / Drawer Systems



**H** **Workspace Accessories**  
Standoffs / Wire Grommets /  
Keyboard Trays



**I** **Workstation Brackets/Levelers/Casters**  
Workstation Brackets /  
Countertop & Shelf Brackets / Table Legs /  
Furniture & Cabinet Levelers /  
Glides / Bumpers / Casters



**J** **Lighting & Accessories**  
LED Lights / Power Supplies /  
Dimmers & Switches /  
Wi-Fi Controlled Outlet & Switches



**K** **Kitchen/Bath Convenience Accessories**  
Kitchen Accessories / X-Brackets /  
QuickTRAY / Inside Drawer Outlets /  
Hoods & Ventilators / Tambour /  
Ironing Cabinets / Vanity Accessories



**L** **Decorative Wood**  
Corbels / Bun Feet / Columns /  
Decorative Wire Grills /  
Panel Spacers / Tambour /  
MDF Moldings



**M** **Veneer & Edgebanding**  
Edgebanding System & Tools /  
PVC & Wood Edgebanding /  
Wood Veneer Sheets /  
T-Moldings



## TABLE OF CONTENTS

### **N** Support Brackets & Closet Hardware

Workstation Brackets /  
Countertop/Shelf Brackets / Floating Shelves /  
Shelf Supports / Hanging Rail /  
Closet Tubing / Closet Accessories



### **T** Spray Equipment

Spray Guns /  
Tanks & Accessories /  
Air Assist Airless Setups /  
PPS™ Guns & Accessories



### **O** Architectural Hardware

Barn & Sliding Door Hardware /  
Rolling Ladders / Hooks / Pivot Hinges /  
Toilet Partition Hardware /  
Bar Railing Hardware



### **U** Hand Tools

Clamps / Files / Edgebanding Tools /  
Cutting Tools / Tape Measures / Jigs /  
Wrenches / Allen Keys / Screwdrivers /  
Ratchets & Sockets / Pliers & Cutters



### **P** Fasteners

Pneumatic Fasteners / Screws /  
Screwdriver Bits / Covercaps /  
Corner Braces / Z-Clips /  
Dowel Pins & Rods / Biscuits / RTA Fittings



### **V** Air & Power Tools

Drills / Routers / Sanders /  
Staplers, Pinners & Nailers /  
Air Tool Accessories / Joiners /  
Dust Extraction



### **Q** Abrasives

Sanding Discs / Backup Pads /  
Sanding Stars / Hand Sanding Sponges /  
Belt Cleaners / Graphite Rolls /  
Portable & Wide Belts



### **W** Machinery

Edgebanders / Line Boring Machines /  
Panel Saws / Pocket Hole Machinery /  
Dust Collectors / Downdraft Tables /  
SawStop Saws & Accessories



### **R** Solvents & Adhesives

Solvents / Wood Glues /  
Hot Melt Glues / Contact Adhesives /  
Edgebanding Adhesives /  
Wood Fillers



### **X** Sinks & Surfacing

Kitchen & Vanity Sinks /  
Wood Countertops /  
Solid Surface & Laminate Sheets



### **S** Shop & Safety Supplies

Tapes / Furniture Pads & Dollies /  
Paint & Stain Supplies / Rags /  
Hand Sanitizers / Cleaners / Lubricants /  
Safety Products / Extension Cords



### **Y** Bits, Blades & Cutters

Router Bits / Slotting Cutters /  
Countersinks / Drill Bits /  
Vix Bits / Boring Bits /  
Jigsaw Blades / Saw Blades



# APPLICATION FOR NEW ACCOUNT AGREEMENT

## REQUESTING:

**COD or Credit Card accounts**, complete **Page 1**.

**Credit Terms**, please complete **Pages 1-2**.

Return via Fax: **972.660.8678**

Email: CreditDepartment@wurthlac.com

## BUSINESS INFORMATION

Date Completed: \_\_\_\_\_

Completed by: \_\_\_\_\_

### Legal Name of Business:

#### Billing Information

Address: \_\_\_\_\_

City: \_\_\_\_\_ ST: \_\_\_\_\_

Zip: \_\_\_\_\_ County/Parish: \_\_\_\_\_

Inside City Limits:  Yes  No

Phone: \_\_\_\_\_ Fax: \_\_\_\_\_

Is property  Owned or  Rented - Landlord: \_\_\_\_\_

Federal Tax ID Number: \_\_\_\_\_ Social Security #: \_\_\_\_\_

Legal Status (check one):  Corporation  Partnership  LLC  Individual

Type of Business: \_\_\_\_\_ # Years in Business: \_\_\_\_\_

Existing or Previous account with Würth Louis and Company?  No  Yes - Account #: \_\_\_\_\_

#### Shipping Information (if different)

Address: \_\_\_\_\_

City: \_\_\_\_\_ ST: \_\_\_\_\_

Zip: \_\_\_\_\_ County/Parish: \_\_\_\_\_

Inside City Limits:  Yes  No

Phone: \_\_\_\_\_ Fax: \_\_\_\_\_

Number of Employees: \_\_\_\_\_

### Sales Tax Exemption \*\* SALES TAX WILL BE CHARGED UNLESS A VALID RESALE/EXEMPTION CERTIFICATE IS PROVIDED. \*\*

Business Exempt from Sales Tax: \_\_\_\_\_  No  Yes - Resale #: \_\_\_\_\_

### Email or Fax Notifications- Check Option & provide email address &/or Fax #:

Order Confirmations Email: \_\_\_\_\_ Fax: \_\_\_\_\_

Shipment Notifications: Email: \_\_\_\_\_ Fax: \_\_\_\_\_

Online Ordering Link: Email: \_\_\_\_\_

### Owner & Contact Information:

Owner(s): \_\_\_\_\_ Phone/Email: \_\_\_\_\_

Accounting: \_\_\_\_\_ Phone/Email: \_\_\_\_\_

Purchasing: \_\_\_\_\_ Phone/Email: \_\_\_\_\_

**PERSONAL GUARANTEE:** As a material inducement for the extension of credit to the above named applicant ("**Applicant**"), I hereby personally guarantee the prompt payment of any indebtedness that may arise from this credit application. I understand that in consideration for and in reliance on this personal guarantee Würth Louis and Company ("**Seller**") may sell merchandise and extend credit upon an open account to Applicant. In return for the above stated consideration, I acknowledge that this personal guarantee is binding on me as an individual, and I knowingly sign this personal guarantee as an individual and not in any representative capacity. This shall be an open and continuing personal guarantee, notwithstanding any changes, removals, extensions or the like, granted by Seller to Applicant. I hereby waive all prior notice of default or non-payment. Seller shall be entitled to look to me for full payment without prior demand, notice or seeking recourse against any other party, including, without limitation, Applicant.

Print Name: \_\_\_\_\_ Signature: \_\_\_\_\_ Date: \_\_\_\_\_

Social Security #: \_\_\_\_\_ Home Address: \_\_\_\_\_ Phone #: \_\_\_\_\_

## APPLICATION FOR NEW ACCOUNT AGREEMENT - CONTINUED

For **Credit Terms**, please complete all sections and sign below.

### Invoice/Statement Requirements:

Invoice Options: Check if you require:  PO Number  Job Name/Number \_\_\_\_\_

Invoice Delivery Method:  US Mail  Email: \_\_\_\_\_  Fax: \_\_\_\_\_

Statement Delivery:  US Mail  Email: \_\_\_\_\_  Fax: \_\_\_\_\_

**Business Trade Information:** Please provide 4 active vendors; providing fax #'s will expedite the application process.

Vendor Name: \_\_\_\_\_ Account #: \_\_\_\_\_ Phone: \_\_\_\_\_ Fax: \_\_\_\_\_

Vendor Name: \_\_\_\_\_ Account #: \_\_\_\_\_ Phone: \_\_\_\_\_ Fax: \_\_\_\_\_

Vendor Name: \_\_\_\_\_ Account #: \_\_\_\_\_ Phone: \_\_\_\_\_ Fax: \_\_\_\_\_

Vendor Name: \_\_\_\_\_ Account #: \_\_\_\_\_ Phone: \_\_\_\_\_ Fax: \_\_\_\_\_

**Monthly Credit Requested:** \_\_\_\_\_ Estimated monthly purchases: \$ \_\_\_\_\_

### Terms & Conditions for Credit Account:

Pursuant to this Application for New Account or Credit Terms and Account Agreement ("Application"), Applicant applies to Seller for a commercial credit account and requests an extension of credit to enable the purchase of merchandise for business or commercial purposes. In consideration of the foregoing, Applicant agrees as follows:

**1. Credit Terms and Fees.** Applicant agrees to pay under the following terms (unless otherwise stated): Net 30; payment is due 30 days from the invoice date. Applicant agrees that any non-compliance with the terms stated in the preceding sentence may result in an account being relegated to COD terms. An account becomes past due after this date, and Applicant agrees to pay interest on all such past due amounts equal to the lesser of (i) 1.5% per month (\$1.00 minimum), or (ii) the maximum interest rate permitted by law. Checks in payment for products purchased by Applicant from or through Seller ("Goods") that are not honored by the bank upon which drawn may be subject to such charges as may be assessed in connection therewith under the laws of the State of Texas or, in the sole discretion of Applicant's bank. If Seller's bank should charge a fee as independent consideration for the additional work required, the fee shall be passed on by Seller to Applicant for payment. The parties agree that this fee is not to be deemed and is not interest for the purposes of determining usury.

**2. Prices.** Unless otherwise expressly specified in writing by Seller, all prices are exclusive of taxes, customs, duties, transportation and insurance, and any and all current or future tax or governmental charge applicable to the sale, delivery, shipment or storage of Goods that Seller is required to pay or collect shall be for Applicant's account and shall be added to the price and shall not be subject to any reduction.

**3. LIMITED WARRANTY.** ALL GOODS ARE SOLD "AS IS, WITH ALL FAULTS", WITHOUT RECOURSE, AND SELLER DOES NOT MAKE, AND HEREBY EXPRESSLY DISCLAIMS, ANY AND ALL REPRESENTATIONS AND WARRANTIES OF ANY KIND WHATSOEVER, EXPRESS OR IMPLIED, INCLUDING BUT NOT LIMITED TO WARRANTIES OF OR AS TO MERCHANTABILITY OR FITNESS FOR A PARTICULAR PURPOSE. APPLICANT'S SOLE REMEDIES SHALL BE AS SET FORTH IN THE PARAGRAPH TITLED "LIMITATION OF REMEDY AND LIABILITY" BELOW.

**4. LIMITATION OF REMEDY AND LIABILITY.** APPLICANT WAIVES ALL CLAIMS AGAINST SELLER RELATING TO GOODS PURCHASED FROM OR THROUGH SELLER, AND AGREES TO ASSERT ALL CLAIMS FOR BREACH OF WARRANTY, CONTRACT, OR TORT AGAINST THE MANUFACTURER OF THE GOODS. THE PARTIES AGREE THAT APPLICANT'S SOLE AND EXCLUSIVE REMEDY SHALL BE FOR THE REPAIR OR REPLACEMENT OF DEFECTIVE GOODS BY THE MANUFACTURER IN ACCORDANCE WITH THE MANUFACTURER'S CUSTOMARY WARRANTY THEN IN EFFECT. IN NO EVENT, REGARDLESS OF THE FORM OF THE CLAIM OR CAUSE OF ACTION (WHETHER BASED IN CONTRACT, INFRINGEMENT, NEGLIGENCE, STRICT LIABILITY, OTHER TORT OR OTHERWISE), SHALL SELLER'S CUMULATIVE LIABILITY TO APPLICANT EXCEED THE PURCHASE PRICE FOR THE SPECIFIC GOODS GIVING RISE TO THE CLAIM OR CAUSE OF ACTION. SELLER SHALL NOT BE LIABLE FOR DAMAGES CAUSED BY DELAY IN PERFORMANCE. APPLICANT AGREES THAT IN NO EVENT SHALL SELLER'S LIABILITY TO APPLICANT EXTEND TO INCLUDE SPECIAL, INDIRECT, INCIDENTAL, RELIANCE, EXEMPLARY, CONSEQUENTIAL, PUNITIVE OR SIMILAR DAMAGES. THE TERM "CONSEQUENTIAL DAMAGES" SHALL INCLUDE, BUT SHALL NOT BE LIMITED TO, COST FOR LABOR, LOSS OF ANTICIPATED PROFITS, LOSS OF USE, LOSS OF REVENUE, AND COST OF CAPITAL. ALL ILLUSTRATIONS, DESCRIPTIONS, SPECIFICATIONS AND ENGINEERING INFORMATION HAVE BEEN OBTAINED FROM THE PRODUCT MANUFACTURERS FOR APPLICANT'S CONVENIENCE ONLY. SELLER DOES NOT ASSUME RESPONSIBILITY FOR ACCURACY OF THE INFORMATION PROVIDED BY THE MANUFACTURER.

## TERMS & CONDITIONS

**5. Rejection of Non-Conforming Goods; Returns.** Rejection of non-conforming Goods must be made by Applicant in writing within 10 days of receipt and all defects ascertainable at time of giving notice shall be stated with particularity or deemed waived. In the event of any rejection, the respective Goods shall be held intact, and Applicant shall specify to Seller the reason for the rejection, accompanied by tally of nonconforming Goods. If full credit is allowed for non-conforming Goods, the Goods must be retained intact at the delivery point, and Seller shall have 60 days from the date of such allowance to dispose of such Goods. A claim that Goods are non-conforming shall not entitle Applicant to deduct any sum from any invoice unless such claim has been allowed in writing. No returns of Goods shipped, whether claimed to be non-conforming or otherwise, are permitted without Seller's prior written authorization or unless Applicant has first obtained from Seller a return authorization number. In no event may products be returned after sixty (60) days from the date of the Order Confirmation/Invoice. Any returns must be in original unbroken containers and must identify the invoice number. All returns are subject to inspection by Seller and a handling charge as from time to time published on Seller's website.

**6. Change of Status.** Applicant agrees to notify Seller, in writing by certified mail, no later than five (5) business days following any material business change(s) affecting Applicant or the continuing accuracy of the information provided in this Application, including, without limitation, any changes involving the name, structure or nature of Applicant's business, or the merger, sale, acquisition or dissolution of Applicant.

**7. Representations and Warranties.** Applicant represents and warrants to Seller that (i) all credit information, including, but not limited to, the information on the Application for credit is true and correct as of the date of this Application, (ii) Applicant shall comply, and is financially able to comply, with all payment terms specified herein or in any invoice from Seller, and agrees that such warranty shall be deemed remade each time Applicant accepts credit from Seller, and (iii) all persons making or placing orders on Applicant's behalf have sufficient authority to do so.

**8. Indemnification.** If Applicant uses Goods purchased from or through Seller in an application or end-product, Applicant has the obligation to determine the suitability of the Goods purchased for Applicant's application by testing or other means, and to determine that the application or end-product meets all applicable industry standards for safety and durability. If Applicant uses Goods purchased from or through Seller in an application or end-product, and their use results in damage or harm to the person or property of Applicant or others, Applicant agrees to indemnify and hold Seller harmless for all liability whether arising out of contract, tort, or other grounds. Applicant further agrees to indemnify and hold Seller harmless from all costs and expenses (including attorneys' fees) incurred by Seller in enforcing any of the provisions of this Application or in defending itself. If Applicant initiates a legal action against Seller, and Applicant does not prevail, Applicant will indemnify Seller for all costs and expenses (including attorneys' fees) incurred by Seller to defend itself.

**9. Updated Information.** Applicant agrees to provide Seller updated financial information upon request. In the event of an unfavorable credit report or nonpayment of any past due invoice, Seller may terminate this Application and/or withhold deliveries to Applicant without notice.

10. Termination. The extension by Seller of credit availability to the Applicant and the amount and the terms of such credit availability are in the sole, absolute and exclusive discretion of Seller. Seller reserves the right to terminate the extension of credit availability to the Applicant at any time with or without notice and to change any of the terms and conditions thereof upon notice to the Applicant.

**11. Amendment.** Applicant agrees that Seller has the right to change or amend any terms of this Application by advising Applicant in writing, and Applicant's continued use of the open credit account shall be considered acceptance of any such changed terms.

**12. Approval.** All sales are subject to approval by Seller's credit department.

**13. Costs of Collection and Enforcement.** In the event Applicant's account should be past due, Seller may engage a collection agency and/or attorneys to collect the account. In such event, Applicant agrees to pay Seller for any and all attorneys' fees, court costs, litigation expenses and collection agency fees Seller incurs for the collection of the account. Such fees and expenses are separate and apart from its liability for the account balance and accrued interest. All such fees and costs will be immediately due and payable to Seller. The parties agree that all such charges are not interest.

**14. Entire Agreement.** With respect to the matters contemplated or addressed herein, this Application merges all previous contracts, understandings, representations and negotiations between Applicant and Seller, whether oral or written, and constitutes the entire agreement and understanding between the parties.

## TERMS & CONDITIONS - CONTINUED

**15. Governing Law and Venue.** The terms of this Application and the business relationship between Seller and Applicant shall be governed by, and construed in accordance with, the laws of the State of Texas, without regard to the principles of conflict of laws thereof. The courts of the State of Texas, Dallas County, and/or the United States District Court for the Northern District of Texas shall have exclusive jurisdiction with respect to all disputes between Seller and Applicant in any way relating to the Goods, this Application or the business relationship between Applicant and Seller; provided, however, that Seller, in its discretion, may elect instead to pursue any legal action against Applicant in any other court having jurisdiction over the subject matter.

**16. Communication.** Applicant acknowledges and expressly consents to Seller's use of an automatic telephone dialing system ("ATDS") to initiate calls, faxes or text messages to applicant for any business purpose, including without limitation, confirming or updating information in this application, collections of accounts receivable, marketing of Seller's products, status of product delivery and delivery address confirmation. Applicant's agreement to this communication provision is not a condition of purchasing any of Seller's goods or services.

### FEDERAL EQUAL CREDIT OPPORTUNITY ACT

**RIGHT TO REQUEST SPECIFIC REASONS FOR CREDIT DENIAL.** If your application for credit is denied, you have the right to a written statement of the specific reasons for the denial. To obtain such statement, please contact Wurth Louis and Company credit manager at the above-identified address within sixty (60) days of the date you are notified of its decision. Wurth Louis and Company will send a written statement of the reason(s) for the denial within thirty (30) days of receiving your request for such statement.

**NOTICE.** The Federal Equal Credit Opportunity Act prohibits creditors from discriminating against credit applicants on the basis of race, color, religion, national origin, sex, marital status, age (provided the applicant has the capacity to contract); because all or part of the applicant's income derives from any public assistance program; or because the applicant has in good faith exercised any right under the Consumer Credit Protection Act. The federal agency that administers compliance with this law concerning this creditor is the Federal Trade Commission, Equal Credit Opportunity, Washington, DC 20580.

Applicant hereby certifies that all information contained in the Application for New Account or Credit Terms and Account Agreement is true and correct. The undersigned individual, who is either a principal of Applicant or a sole proprietor, recognizing that his or her individual credit history may be a factor in the evaluation of the credit history of Applicant, hereby consents to and authorizes the use of a consumer credit report on the undersigned by Seller, from time to time as may be needed, in the credit evaluation process. Applicant and the undersigned individual agree to provide Seller with an updated credit application every year as a condition for the continued extension of credit by Seller.

Applicant Name: \_\_\_\_\_ Accepts the above Terms and Conditions.  
Print Name: \_\_\_\_\_ Title: \_\_\_\_\_ Date: \_\_\_\_\_  
Signature: \_\_\_\_\_

\*Below for Internal Use Only\*

Salesperson: \_\_\_\_\_ Ship Via \_\_\_\_\_ Credit Rep: \_\_\_\_\_  
Sales Branch: \_\_\_\_\_ Ship Branch: \_\_\_\_\_ Customer#: \_\_\_\_\_

**Corporate Headquarters:** 895 Columbia St., Brea, CA 92821 Visit our website to locate nearest Branch: [www.wurthlac.com](http://www.wurthlac.com)

## RETURNS / CLAIMS POLICIES

### Product Returns

Würth Louis & Company will gladly work with customers to accept the return of material for credit under the following conditions.

### Stock Product

- Must have been purchased from Würth Louis & Company
- Returned to Würth Louis & Company in good resalable condition and in the original packaging
- Be a current Würth Louis & Company stock item (discontinued or clearance items can not be returned)
- Must not have exceeded the product expiration date (adhesive and finish)
- Return of perishable items will be subject to review based upon the product's origin and shelf life
- All credits for returned goods are subject to approval by Würth Louis & Company

**Return policy is effective  
April 1, 2022 and is subject to  
change without notice.**

### Special order / Non stock Products

- Are not returnable
- Exceptions may be allowed, but only if approved by Purchasing

### Coating Products

- Color accuracy should be verified prior to application. Usage of material constitutes acceptance of color
- In instances where color accuracy is at issue, Würth Louis & Co. will replace material only

### Shortages and Claims

- Material accuracy should be verified prior to application. Usage of material constitutes acceptance of product
- Any concealed damage, defective material or shortages must be reported within 48 hours of receipt
- Freight damages or shortages must be reported to the carrier upon delivery
  - Damages and shortages should be noted on the Bill of Lading or Delivery ticket
- All packaging must be saved as it may be required for inspection by the carrier

### Return fees

- Customer requested returns will be subject to a restocking fee
  - 10% restocking fee for items purchased within 1-30 days
  - 20% restocking fee for items purchased within 31-60 days
  - 30% restocking fee for items purchased within 61-90 days
  - Würth Louis & Company will not accept a return for material purchased greater than 90 days
- Return fees will not be charged if:
  - Product delivered is damaged or defective
  - An error is made by a Würth Louis & Company employee(s)

### Return Procedure

- All product must have a Returns Goods Authorization (RGA) prior to arriving at Würth Louis & Company
- All product must have the RGA number included in or on the box
- UPS ARS labels and shipping instructions can be sent either by fax or email

### Würth Louis & Company Power Tool Return Policy

- Power tools may be returned for credit within 30 days of purchase subject to the following limitations
  - Must be in un-opened, new condition and in the original packaging
  - Subject to the Manufacturers approval of return, may include a restocking fee
  - In no event can power tools be returned after 30 days.
  - All warranty claims are handled through the manufacturer



# HOW TO READ OUR INVOICES



Würth Louis and Company

PO Box 2253  
Brea CA 92822-2253  
800-452-2621

SALES ORDER	1
T.O.	2
SHIP VIA	3
ROUTE	4
PACKAGES	5

## INVOICE

INVOICE DATE	INVOICE #
6	7
ACCOUNT #	
8	
REMIT ADDRESS	
Louis and Company PO Box 2253 Brea CA 92822-2253 800-452-2621	

BILL TO:

9

SHIP TO:

10

PURCHASE ORDER #		JOB NAME		TERMS						
				CREDIT CARD						
BK	ORDR	QTY	SHIP	PART NUMBER	DESCRIPTION	UNIT PRICE	U/M	TAX	AMOUNT	
11				12	13	14	15	16	17	18
<p><b>We Appreciate Your Business</b> Please include your invoice number and account number on your remittance. Goods identified on this document may contain hardwood plywood, particleboard, and/or medium density fiberboard subject to Title 17, Section 93120 of the California Code of Regulations; if so (and unless excepted under the "self-through" provisions of Title 17, Section 93120.12, Appendix 1), such hardwood plywood, particleboard, and/or medium density fiberboard complies with the applicable emission standards specified in Title 17, Section 93210.2(a).</p> <p>ALL GOODS AND/OR SERVICES ("PRODUCTS") SOLD AND/OR PERFORMED BY WÜRTH LOUIS AND COMPANY ("SELLER") ARE GOVERNED BY THE SELLER TERMS AND CONDITIONS OF SALE IN EFFECT ON THE DATE HEREOF ("TERMS AND CONDITIONS OF SALE"), A COPY OF WHICH IS AVAILABLE AT WWW.WURTHLAC.COM/TERMS-SALE. THE TERMS AND CONDITIONS OF SALE ARE HEREBY INCORPORATED HEREIN BY THIS REFERENCE. THE TERMS AND CONDITIONS OF SALE SHALL SUPERSEDE AND REPLACE ANY ADDITIONAL OR CONFLICTING TERMS IN ANY PURCHASE ORDER OR OTHER DOCUMENTATION BETWEEN THE PARTIES FOR ANY PRODUCTS, WHETHER CURRENTLY IN EFFECT OR HEREAFTER ISSUED. ADDITIONAL COPIES OF THE TERMS AND CONDITIONS OF SALE ARE AVAILABLE UPON REQUEST BY BUYER TO SELLER.</p>						SUBTOTAL				
						PACKING CHARGES				
						FREIGHT				
						VENDOR FEES				
						FUEL SURCHARGE				
						ENERGY FEE				
						SALES TAX				
						TOTAL AMOUNT				

- |                                  |                              |                        |
|----------------------------------|------------------------------|------------------------|
| 1 Sales order number             | 7 Invoice number             | 13 Part number         |
| 2 Internal transfer order number | 8 Account number             | 14 Product description |
| 3 Shipped by freight company     | 9 Sold-To#/name and address  | 15 Unit price          |
| 4 Shipped on WLAC truck          | 10 Ship-To#/name and address | 16 Unit of measure     |
| 5 Number of packages             | 11 Back order quantity       | 17 Taxable             |
| 6 Invoice date                   | 12 Shipped quantity          | 18 Line total amount   |

# ORDER CONFIRMATION



Würth Louis and Company

PO Box 2253  
Brea CA 92822-2253  
800-444-0043

Ship From	1
Ship Via.	2
Buyer	3
Shp.Inst.	4

## ORDER CONFIRMATION

SALES DATE	SALES ORDER NO.
5	6
ACCOUNT	
7	
REMIT ADDRESS	
Louis and Company PO Box 2253 Brea CA 92822-2253 800-444-0043	

SOLD TO:

8

SHIP TO:

9

CUSTOMER PURCHASE ORDER #			JOB NAME	TERMS			
				CREDIT CARD			
SHIP QTY	B.O.QTY	PART NUMBER	DESCRIPTION	UNIT PRICE	U/M	P T	AMOUNT
10	11	12	13	14	15	16	17

We Appreciate Your Business

RETURNS: ALL RETURNED MERCHANDISE WILL BE SUBJECT TO RESTOCKING FEE AND REQUIRE PRIOR AUTHORIZATION. 'SPECIAL ORDER' ITEMS ARE NOT RETURNABLE. ANY DISCREPANCIES IN THE SHIPMENT MUST BE REPORTED WITHIN 5 WORKING DAYS

GOODS IDENTIFIED ON THIS DOCUMENT MAY CONTAIN HARDWOOD PLYWOOD, PARTICLEBOARD, AND/OR MEDIUM DENSITY FIBERBOARD SUBJECT TO TITLE 17, SECTION 93120 OF THE CALIFORNIA CODE OF REGULATIONS; IF SO (AND UNLESS EXPECTED UNDER THE "SELL-THROUGH" PROVISIONS OF TITLE 17, SECTION 93120.12, APPENDIX 1), SUCH HARDWOOD PLYWOOD, PARTICLEBOARD, AND/OR MEDIUM DENSITY FIBERBOARD COMPLIES WITH THE APPLICABLE EMISSION STANDARDS SPECIFIED IN TITLE 17, SECTION 93120.2(A).

-PRICES ARE SUBJECT TO CHANGE WITHOUT NOTIFICATION.

-SHIPPING DATES FOR BACKORDERED ITEMS ARE SUBJECT TO CHANGE.

\*\* INCLUDES CARRIER FREIGHT, SHIPPING AND HANDLING FEES, AND/OR MACHINERY/FREIGHT CHARGES.

ALL SALES ARE SUBJECT TO THE CURRENT TERMS OF SALE WHICH CAN BE FOUND AT [WWW.WURHTLAC.COM/TERMS.HTML](http://WWW.WURHTLAC.COM/TERMS.HTML)

SUBTOTAL	
PACKING CHARGES	
FREIGHT**	
VENDOR FEES**	
FUEL SURCHARGE	
ENERGY FEE	
SALES TAX	

AMOUNT DUE

\* P = Promo Item

\* T = Taxable

1 Originating warehouse

2 Shipped via freight company

3 Who placed the order

4 Shipping instructions

5 Order date

6 Sales order number

7 Account number

8 Sold-To#/name and address

9 Ship-To#/name and address

10 Shipped quantity

11 Back order quantity

12 Part number

13 Product description

14 Unit price

15 Unit of measure

16 P = Promo Item / T = Taxable

17 Line total amount

**SECTION A - TABLE OF CONTENTS**

**Section A Contents:**

PRO Value Series  
 Decorative Hardware..... 2-10  
 Berenson™ Decorative Hardware..... 11-79  
 Amerock® Decorative  
 Hardware.....80-134  
 Sugatsune Stainless Steel Wire Pulls.... 134  
 Paramount/EPCO Extruded Pulls & Edge  
 Pulls ..... 135-137  
 Recessed Pulls..... 138-139  
 True Position Jigs..... 140-141  
 Decorative Hardware Screws..... 142  
 PRO Display Boards..... 143  
 Decorative Hardware  
 Manufacturers List ..... 144



A  
B  
C  
D  
E  
F  
G  
H  
I  
J  
K  
L  
M  
N  
O  
P  
Q  
R  
S  
T  
U  
V  
W  
X  
Y

A  
B  
C  
D  
E  
F  
G  
H  
I  
J  
K  
L  
M  
N  
O  
P  
Q  
R  
S  
T  
U  
V  
W  
X  
Y

**PRO VALUE SERIES**

**Mod Series**

Material: Zinc



	Item #	Size	Finish
A	PROMD1-MB	1-7/32" Dia. Knob	Matte Black
B	PROMD1-SCP	1-7/32" Dia. Knob	Satin Champagne
C	PROMD1-SN	1-7/32" Dia. Knob	Satin Nickel
D	PROMD2-MB	1-5/32" Sq. Knob	Matte Black
E	PROMD2-SCP	1-5/32" Sq. Knob	Satin Champagne
F	PROMD2-SN	1-5/32" Sq. Knob	Satin Nickel
G	PROMD3-MB	1-3/8"L Knob	Matte Black
H	PROMD3-SCP	1-3/8"L Knob	Satin Champagne
I	PROMD3-SN	1-3/8"L Knob	Satin Nickel
J	PROMD4-MB	96mm c/c Pull	Matte Black
K	PROMD4-SCP	96mm c/c Pull	Satin Champagne
L	PROMD4-SN	96mm c/c Pull	Satin Nickel
M	PROMD5-MB	96mm c/c Pull	Matte Black
N	PROMD5-SCP	96mm c/c Pull	Satin Champagne

	Item #	Size	Finish
O	PROMD5-SN	96mm c/c Pull	Satin Nickel
P	PROMD6-MB	96mm c/c Pull	Matte Black
Q	PROMD6-SCP	96mm c/c Pull	Satin Champagne
R	PROMD6-SN	96mm c/c Pull	Satin Nickel
S	PROMD7-MB	128mm c/c Pull	Matte Black
T	PROMD7-SCP	128mm c/c Pull	Satin Champagne
U	PROMD7-SN	128mm c/c Pull	Satin Nickel
V	PROMD8-MB	128mm c/c Pull	Matte Black
W	PROMD8-SCP	128mm c/c Pull	Satin Champagne
X	PROMD8-SN	128mm c/c Pull	Satin Nickel
Y	PROMD9-MB	128mm c/c Pull	Matte Black
Z	PROMD9-SCP	128mm c/c Pull	Satin Champagne
AA	PROMD9-SN	128mm c/c Pull	Satin Nickel

**PRO VALUE SERIES**

**Preferred Series**

Material: Zinc



	Item #	Size	Finish
A	PROPF1-MB	1-1/4" Dia. Knob	Matte Black
B	PROPF1-SCP	1-1/4" Dia. Knob	Satin Champagne
C	PROPF1-SN	1-1/4" Dia. Knob	Satin Nickel
D	PROPF2-MB	1-5/16"L Knob	Matte Black
E	PROPF2-SCP	1-5/16"L Knob	Satin Champagne
F	PROPF2-SN	1-5/16"L Knob	Satin Nickel
G	PROPF3-MB	1-5/32" Sq. Knob	Matte Black
H	PROPF3-SCP	1-5/32" Sq. Knob	Satin Champagne
I	PROPF3-SN	1-5/32" Sq. Knob	Satin Nickel
J	PROPF4-MB	96mm c/c Pull	Matte Black
K	PROPF4-SCP	96mm c/c Pull	Satin Champagne
L	PROPF4-SN	96mm c/c Pull	Satin Nickel
M	PROPF5-MB	96mm c/c Pull	Matte Black
N	PROPF5-SCP	96mm c/c Pull	Satin Champagne

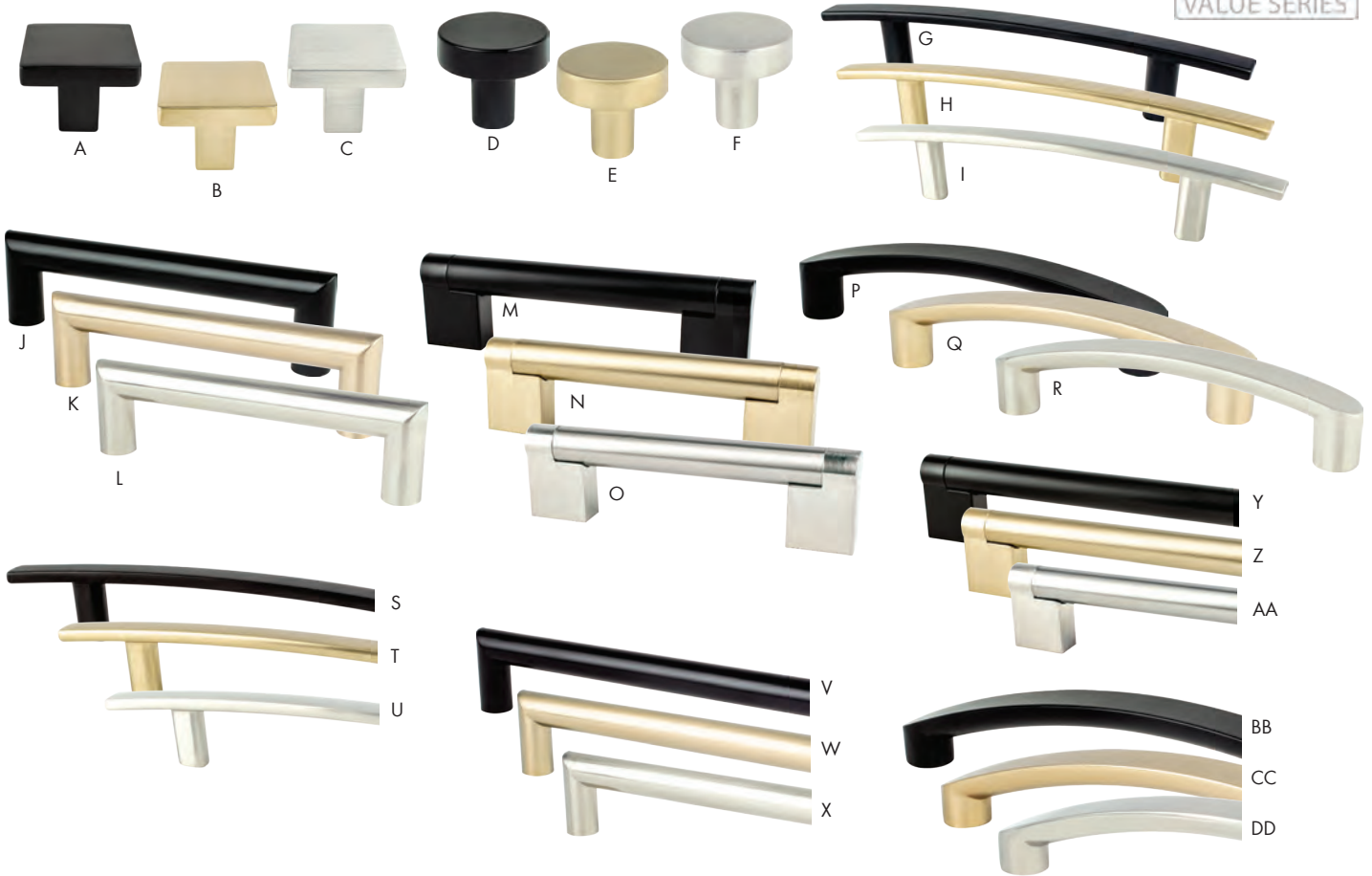
	Item #	Size	Finish
O	PROPF5-SN	96mm c/c Pull	Satin Nickel
P	PROPF6-MB	96mm c/c Pull	Matte Black
Q	PROPF6-SCP	96mm c/c Pull	Satin Champagne
R	PROPF6-SN	96mm c/c Pull	Satin Nickel
S	PROPF7-MB	128mm c/c Pull	Matte Black
T	PROPF7-SCP	128mm c/c Pull	Satin Champagne
U	PROPF7-SN	128mm c/c Pull	Satin Nickel
V	PROPF8-MB	128mm c/c Pull	Matte Black
W	PROPF8-SCP	128mm c/c Pull	Satin Champagne
X	PROPF8-SN	128mm c/c Pull	Satin Nickel
Y	PROPF9-MB	128mm c/c Pull	Matte Black
Z	PROPF9-SCP	128mm c/c Pull	Satin Champagne
AA	PROPF9-SN	128mm c/c Pull	Satin Nickel

A  
B  
C  
D  
E  
F  
G  
H  
I  
J  
K  
L  
M  
N  
O  
P  
Q  
R  
S  
T  
U  
V  
W  
X  
Y

**PRO VALUE SERIES**

**Transitions 2.0 Series**

Material: Zinc



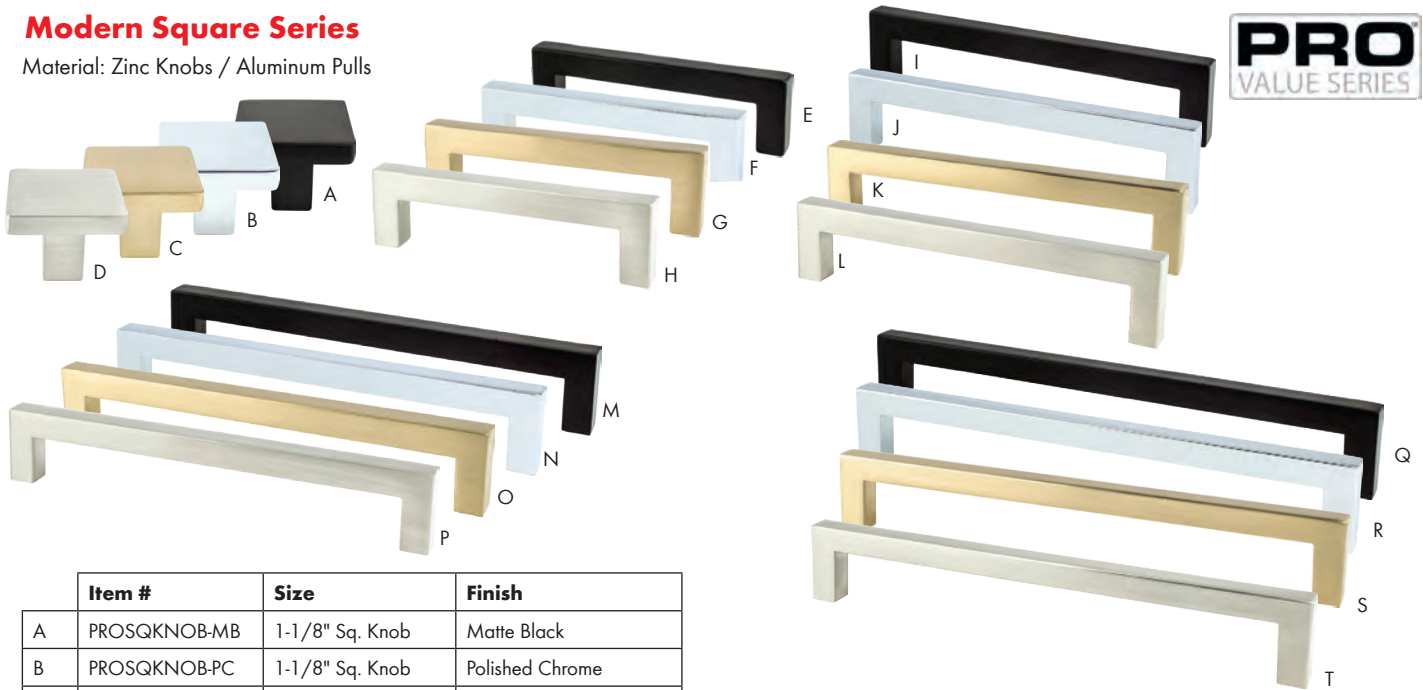
Item #	Size	Finish	
A	PROSQKNOB-MB	1-1/8" Sq. Knob	Matte Black
B	PROSQKNOB-SCP	1-1/8" Sq. Knob	Satin Champagne
C	PROSQKNOB-SN	1-1/8" Sq. Knob	Satin Nickel
D	PROTR2-MB	1" Dia. Knob	Matte Black
E	PROTR2-SCP	1" Dia. Knob	Satin Champagne
F	PROTR2-SN	1" Dia. Knob	Satin Nickel
G	PROTR3-MB	96mm c/c Pull	Matte Black
H	PROTR3-SCP	96mm c/c Pull	Satin Champagne
I	PROTR3-SN	96mm c/c Pull	Satin Nickel
J	PROTR5-MB	96mm c/c Pull	Matte Black
K	PROTR5-SCP	96mm c/c Pull	Satin Champagne
L	PROTR5-SN	96mm c/c Pull	Satin Nickel
M	PROTR6-MB	96mm c/c Pull	Matte Black
N	PROTR6-SCP	96mm c/c Pull	Satin Champagne
O	PROTR6-SN	96mm c/c Pull	Satin Nickel
P	PROTR7-MB	96mm c/c Pull	Matte Black

Item #	Size	Finish	
Q	PROTR7-SCP	96mm c/c Pull	Satin Champagne
R	PROTR7-SN	96mm c/c Pull	Satin Nickel
S	PROTR8-MB	128mm c/c Pull	Matte Black
T	PROTR8-SCP	128mm c/c Pull	Satin Champagne
U	PROTR8-SN	128mm c/c Pull	Satin Nickel
V	PROTR10-MB	128mm c/c Pull	Matte Black
W	PROTR10-SCP	128mm c/c Pull	Satin Champagne
X	PROTR10-SN	128mm c/c Pull	Satin Nickel
Y	PROTR11-MB	128mm c/c Pull	Matte Black
Z	PROTR11-SCP	128mm c/c Pull	Satin Champagne
AA	PROTR11-SN	128mm c/c Pull	Satin Nickel
BB	PROTR12-MB	128mm c/c Pull	Matte Black
CC	PROTR12-SCP	128mm c/c Pull	Satin Champagne
DD	PROTR12-SN	128mm c/c Pull	Satin Nickel

**PRO VALUE SERIES**

**Modern Square Series**

Material: Zinc Knobs / Aluminum Pulls

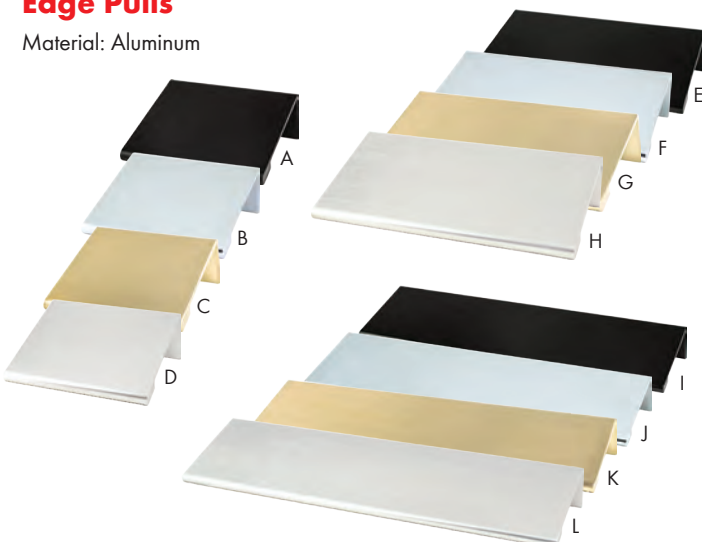


	Item #	Size	Finish
A	PROSQKNOB-MB	1-1/8" Sq. Knob	Matte Black
B	PROSQKNOB-PC	1-1/8" Sq. Knob	Polished Chrome
C	PROSQKNOB-SCP	1-1/8" Sq. Knob	Satin Champagne
D	PROSQKNOB-SN	1-1/8" Sq. Knob	Satin Nickel
E	PROSQ96-MB	96mm c/c Pull	Matte Black
F	PROSQ96-PC	96mm c/c Pull	Polished Chrome
G	PROSQ96-SCP	96mm c/c Pull	Satin Champagne
H	PROSQ96-SN	96mm c/c Pull	Satin Nickel
I	PROSQ128-MB	128mm c/c Pull	Matte Black
J	PROSQ128-PC	128mm c/c Pull	Polished Chrome
K	PROSQ128-SCP	128mm c/c Pull	Satin Champagne
L	PROSQ128-SN	128mm c/c Pull	Satin Nickel

	Item #	Size	Finish
M	PROSQ160-MB	160mm c/c Pull	Matte Black
N	PROSQ160-PC	160mm c/c Pull	Polished Chrome
O	PROSQ160-SCP	160mm c/c Pull	Satin Champagne
P	PROSQ160-SN	160mm c/c Pull	Satin Nickel
Q	PROSQ192-MB	192mm c/c Pull	Matte Black
R	PROSQ192-PC	192mm c/c Pull	Polished Chrome
S	PROSQ192-SCP	192mm c/c Pull	Satin Champagne
T	PROSQ192-SN	192mm c/c Pull	Satin Nickel

**Edge Pulls**

Material: Aluminum



	Item #	Size	Finish
A	PROEDGE25-MB	1" c/c, 1.78"OL	Matte Black
B	PROEDGE25-PC	1" c/c, 1.78"OL	Polished Chrome
C	PROEDGE25-SCP	1" c/c, 1.78"OL	Satin Champagne
D	PROEDGE25-SN	1" c/c, 1.78"OL	Satin Nickel
E	PROEDGE56-MB	2.2" c/c, 3"OL	Matte Black
F	PROEDGE56-PC	2.2" c/c, 3"OL	Polished Chrome
G	PROEDGE56-SCP	2.2" c/c, 3"OL	Satin Champagne
H	PROEDGE56-SN	2.2" c/c, 3"OL	Satin Nickel
I	PROEDGE112-MB	4.41" c/c, 6"OL	Matte Black
J	PROEDGE112-PC	4.41" c/c, 6"OL	Polished Chrome
K	PROEDGE112-SCP	4.41" c/c, 6"OL	Satin Champagne
L	PROEDGE112-SN	4.41" c/c, 6"OL	Satin Nickel

A  
B  
C  
D  
E  
F  
G  
H  
I  
J  
K  
L  
M  
N  
O  
P  
Q  
R  
S  
T  
U  
V  
W  
X  
Y

**PRO VALUE SERIES**

**Bar Pull Series**

Material: Steel



	Item #	Size	Finish
A	PROCO9-PC	1.5625"L T-Knob	Polished Chrome
B	PROCO9-SB	1.5625"L T-Knob	Satin Black
C	PROCO9-SCP	1.5625"L T-Knob	Satin Champagne
D	PROCO9-SN	1.5625"L T-Knob	Satin Nickel
E	PROCO6-PC	3" c/c Pull	Polished Chrome
F	PROCO6-SB	3" c/c Pull	Satin Black
G	PROCO6-SCP	3" c/c Pull	Satin Champagne
H	PROCO6-SN	3" c/c Pull	Satin Nickel
I	PROCO7-PC	96mm c/c Pull	Polished Chrome
J	PROCO7-SB	96mm c/c Pull	Satin Black
K	PROCO7-SCP	96mm c/c Pull	Satin Champagne
L	PROCO7-SN	96mm c/c Pull	Satin Nickel

	Item #	Size	Finish
M	PROCO15-PC	128mm c/c Pull	Polished Chrome
N	PROCO15-SB	128mm c/c Pull	Satin Black
O	PROCO15-SCP	128mm c/c Pull	Satin Champagne
P	PROCO15-SN	128mm c/c Pull	Satin Nickel
Q	PROCO16-PC	160mm c/c Pull	Polished Chrome
R	PROCO16-SB	160mm c/c Pull	Satin Black
S	PROCO16-SCP	160mm c/c Pull	Satin Champagne
T	PROCO16-SN	160mm c/c Pull	Satin Nickel
U	PROCO17-PC	192mm c/c Pull	Polished Chrome
V	PROCO17-SB	192mm c/c Pull	Satin Black
W	PROCO17-SCP	192mm c/c Pull	Satin Champagne
X	PROCO17-SN	192mm c/c Pull	Satin Nickel



**PRO VALUE SERIES**

**Classic Series**

Material: Zinc



	Item #	Size	Finish
A	PROCL2-ORB	3" c/c Pull	Oil Rubbed Bronze
B	PROCL2-SN	3" c/c Pull	Satin Nickel
C	PROCL2-WN	3" c/c Pull	Weathered Nickel
D	PROCL3-ORB	1.14" Dia. Knob	Oil Rubbed Bronze
E	PROCL3-SN	1.14" Dia. Knob	Satin Nickel
F	PROCL3-WN	1.14" Dia. Knob	Weathered Nickel
G	PROCL4-ORB	3" c/c Pull	Oil Rubbed Bronze
H	PROCL4-SN	3" c/c Pull	Satin Nickel
I	PROCL4-WN	3" c/c Pull	Weathered Nickel
J	PROCL5-ORB	3" c/c Pull	Oil Rubbed Bronze
K	PROCL5-SN	3" c/c Pull	Satin Nickel
L	PROCL5-WN	3" c/c Pull	Weathered Nickel

	Item #	Size	Finish
M	PROCL6-ORB	1.375" Dia. Knob	Oil Rubbed Bronze
N	PROCL6-SN	1.375" Dia. Knob	Satin Nickel
O	PROCL6-WN	1.375" Dia. Knob	Weathered Nickel
P	PROCL9-ORB	3" c/c Pull	Oil Rubbed Bronze
Q	PROCL9-SN	3" c/c Pull	Satin Nickel
R	PROCL9-WN	3" c/c Pull	Weathered Nickel
S	PROCL10-ORB	3" c/c Pull	Oil Rubbed Bronze
T	PROCL10-SN	3" c/c Pull	Satin Nickel
U	PROCL10-WN	3" c/c Pull	Weathered Nickel

**A PRO VALUE SERIES**

**Select Series**

Material: Zinc



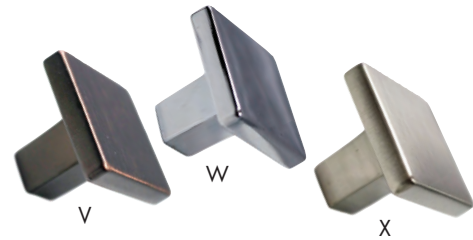
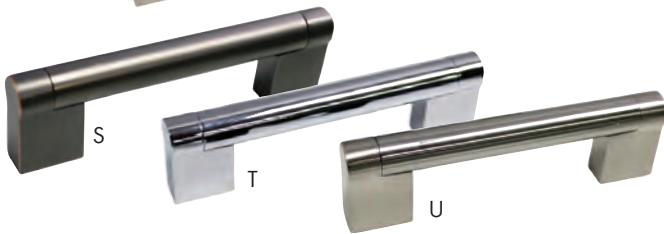
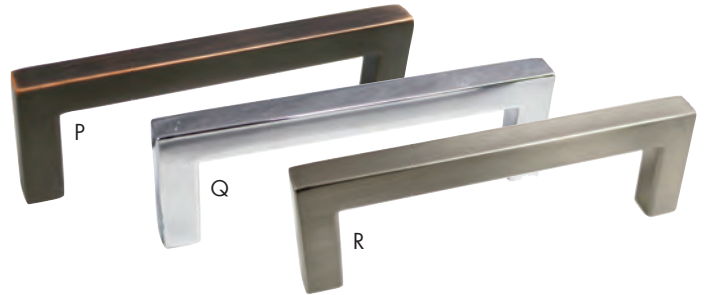
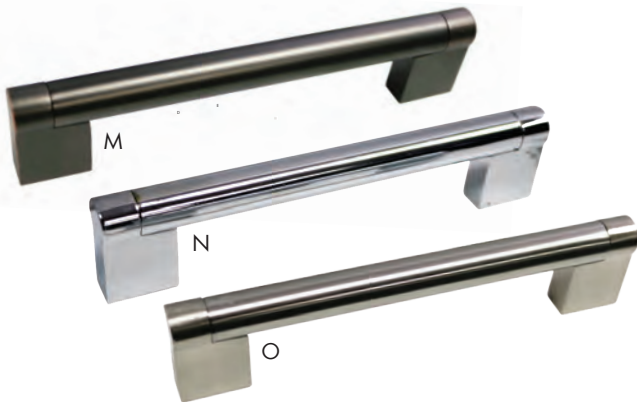
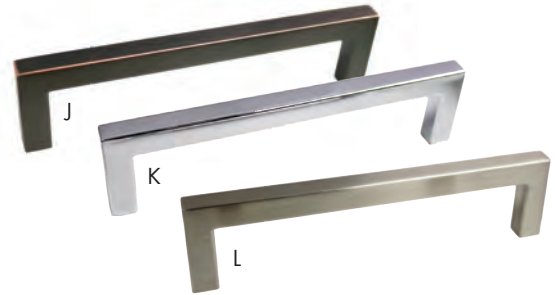
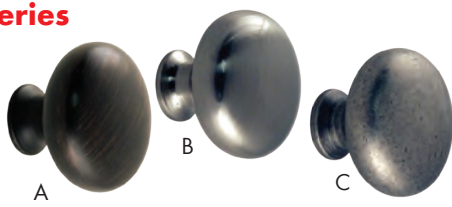
	Item #	Size	Finish
A	PROSE1-ORB	1.25" Dia. Knob	Oil Rubbed Bronze
B	PROSE1-SN	1.25" Dia. Knob	Satin Nickel
C	PROSE1-WN	1.25" Dia. Knob	Weathered Nickel
D	PROSE7-ORB	1.25" Dia. Knob	Oil Rubbed Bronze
E	PROSE7-SN	1.25" Dia. Knob	Satin Nickel
F	PROSE7-WN	1.25" Dia. Knob	Weathered Nickel
G	PROSE8-ORB	3" c/c Pull	Oil Rubbed Bronze
H	PROSE8-SN	3" c/c Pull	Satin Nickel
I	PROSE8-WN	3" c/c Pull	Weathered Nickel
J	PROSE9-ORB	3" c/c Pull	Oil Rubbed Bronze
K	PROSE9-SN	3" c/c Pull	Satin Nickel
L	PROSE9-WN	3" c/c Pull	Weathered Nickel

	Item #	Size	Finish
M	PROSE10-ORB	3" c/c Pull	Oil Rubbed Bronze
N	PROSE10-SN	3" c/c Pull	Satin Nickel
O	PROSE10-WN	3" c/c Pull	Weathered Nickel
P	PROSE12-ORB	128mm c/c	Oil Rubbed Bronze
Q	PROSE12-PC	128mm c/c	Polished Chrome
R	PROSE12-SN	128mm c/c	Satin Nickel
S	PROSE13-ORB	96mm c/c	Oil Rubbed Bronze
T	PROSE13-PC	96mm c/c	Polished Chrome
U	PROSE13-SN	96mm c/c	Satin Nickel
V	PROSE14-ORB	.858 Dia. Knob	Oil Rubbed Bronze
W	PROSE14-PC	.858 Dia. Knob	Polished Chrome
X	PROSE14-SN	.858 Dia. Knob	Satin Nickel

**PRO VALUE SERIES**

**Premier Series**

Material: Zinc



	Item #	Size	Finish
A	PROPR4-ORB	1.25" Dia. Knob	Oil Rubbed Bronze
B	PROPR4-SN	1.25" Dia. Knob	Satin Nickel
C	PROPR4-WN	1.25" Dia. Knob	Weathered Nickel
D	PROPR5-ORB	1.25" Dia. Knob	Oil Rubbed Bronze
E	PROPR5-SN	1.25" Dia. Knob	Satin Nickel
F	PROPR5-WN	1.25" Dia. Knob	Weathered Nickel
G	PROPR10-ORB	3" c/c Pull	Oil Rubbed Bronze
H	PROPR10-SN	3" c/c Pull	Satin Nickel
I	PROPR10-WN	3" c/c Pull	Weathered Nickel
J	PROPR14-ORB	128mm c/c	Oil Rubbed Bronze
K	PROPR14-PC	128mm c/c	Polished Chrome
L	PROPR14-SN	128mm c/c	Satin Nickel

	Item #	Size	Finish
M	PROPR15-ORB	128mm c/c	Oil Rubbed Bronze
N	PROPR15-PC	128mm c/c	Polished Chrome
O	PROPR15-SN	128mm c/c	Satin Nickel
P	PROPR16-ORB	96mm c/c	Oil Rubbed Bronze
Q	PROPR16-PC	96mm c/c	Polished Chrome
R	PROPR16-SN	96mm c/c	Satin Nickel
S	PROPR17-ORB	96mm c/c	Oil Rubbed Bronze
T	PROPR17-PC	96mm c/c	Polished Chrome
U	PROPR17-SN	96mm c/c	Satin Nickel
V	PROPR18-ORB	1.25" Sq. Knob	Oil Rubbed Bronze
W	PROPR18-PC	1.25" Sq. Knob	Polished Chrome
X	PROPR18-SN	1.25" Sq. Knob	Satin Nickel

A  
B  
C  
D  
E  
F  
G  
H  
I  
J  
K  
L  
M  
N  
O  
P  
Q  
R  
S  
T  
U  
V  
W  
X  
Y

A  
B  
C  
D  
E  
F  
G  
H  
I  
J  
K  
L  
M  
N  
O  
P  
Q  
R  
S  
T  
U  
V  
W  
X  
Y

**PRO VALUE SERIES**

**Arch Pulls / Wire Pulls / Mushroom Knobs**

Material: \* = Steel | \*\* = Aluminum | † = Zinc



	Item #	Size	Finish
A	PROCO10-ORB*	96mm c/c	Oil Rubbed Bronze
B	PROCO10-SN*	96mm c/c	Satin Nickel
C	PROCO11-ORB*	128mm c/c	Oil Rubbed Bronze
D	PROCO11-SN*	128mm c/c	Satin Nickel
E	PROCO13-SN**	96mm c/c	Satin Nickel
F	PROCO14-SN**	128mm c/c	Satin Nickel
G	PROCO1-ORB*	3" c/c	Oil Rubbed Bronze
H	PROCO1-SN*	3" c/c	Satin Nickel
I	PROCO2-SN*	3-1/2" c/c	Satin Nickel
J	PROCO3-ORB*	96mm c/c	Oil Rubbed Bronze

	Item #	Size	Finish
K	PROCO3-SN*	96mm c/c	Satin Nickel
L	PROCO4-ORB*	4" c/c	Oil Rubbed Bronze
M	PROCO4-SN*	4" c/c	Satin Nickel
N	PROCO8-ORB*	128mm c/c	Oil Rubbed Bronze
O	PROCO8-SN*	128mm c/c	Satin Nickel
P	PROCO12-ORB*	1-1/4" Dia.	Oil Rubbed Bronze
Q	PROCO12-SN*	1-1/4" Dia.	Satin Nickel
R	PROCO5-ORB†	1-1/4" Dia.	Oil Rubbed Bronze
S	PROCO5-SN†	1-1/4" Dia.	Satin Nickel

**BERENSON™**

**Adiago Series**

Material: Zinc



	Item #	Size	Finish
A	BER7877-1ORB	1-1/16" Length Oval Knob	Oil Rubbed Bronze
B	BER7879-1ORB	1-1/8" Diameter Knob	Oil Rubbed Bronze
C	BER7896-1ORB	1-3/16" Diameter Knob	Oil Rubbed Bronze
D	BER7909-1ORB	1-3/16" Diameter Knob	Oil Rubbed Bronze
E	BER7908-1ORB	1-1/4" Diameter Knob	Oil Rubbed Bronze

	Item #	Size	Finish
F	BER7875-1ORB	3" c/c Cup Pull	Oil Rubbed Bronze
G	BER7874-1ORB	3" c/c Pull	Oil Rubbed Bronze
H	BER7880-1ORB	3" c/c Pull	Oil Rubbed Bronze
I	BER7907-1ORB	3" c/c Pull	Oil Rubbed Bronze
J	BER7910-1ORB	96mm c/c Pull	Oil Rubbed Bronze

A  
B  
C  
D  
E  
F  
G  
H  
I  
J  
K  
L  
M  
N  
O  
P  
Q  
R  
S  
T  
U  
V  
W  
X  
Y

A  
B  
C  
D  
E  
F  
G  
H  
I  
J  
K  
L  
M  
N  
O  
P  
Q  
R  
S  
T  
U  
V  
W  
X  
Y

**BERENSON™**

**Advantage 1 Collection**

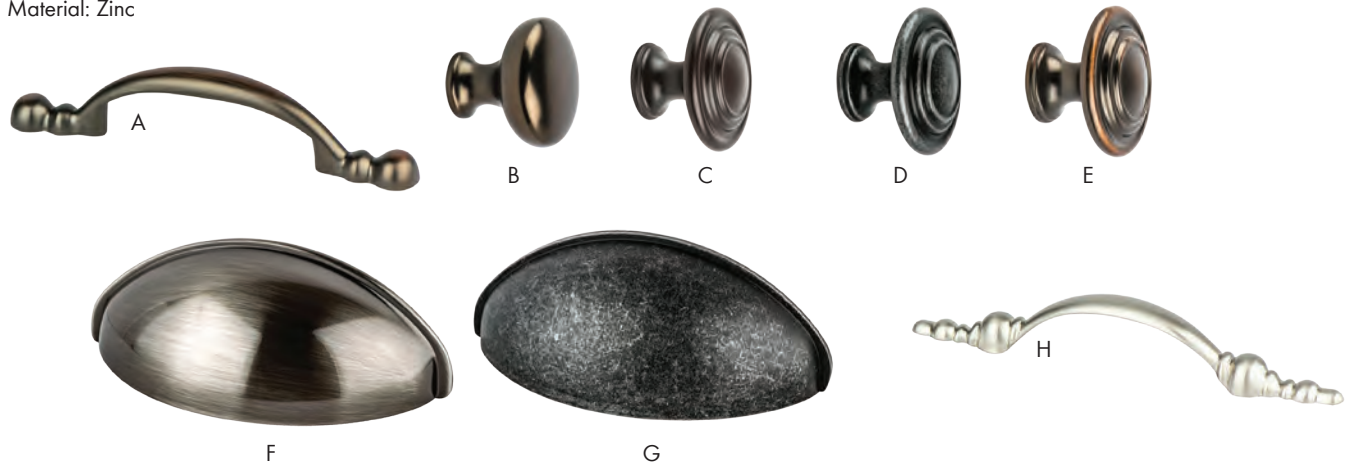
Material: Zinc



	Item #	Size	Finish
A	BER0915-1OB	1-1/8" Dia.	Oiled Bronze
B	BER0948-1OB	3" c/c	Oiled Bronze
C	BER0958-1OB	1-1/4" Dia.	Oiled Bronze

**Advantage 2 Collection**

Material: Zinc

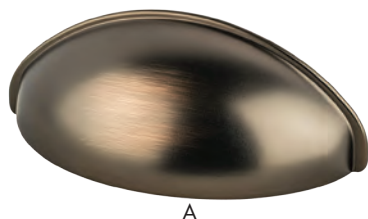


	Item #	Size	Finish
A	BER0928-1OB	3" c/c	Oiled Bronze
B	BER0929-1OB	1-1/8" Dia.	Oiled Bronze
C	BER0932-1ORBL	1-5/16" Dia.	Oil Rubbed Brz Light
D	BER0933-1AP	1-5/16" Dia.	Antique Pewter

	Item #	Size	Finish
E	BER0936-1OB	1-5/16" Dia.	Oiled Bronze
F	BER0962-1BBN	64mm c/c	Brushed Blk Nickel
G	BER0965-1AP	64mm c/c	Antique Pewter
H	BER0976-1BPN	3" c/c	Brushed Nickel

**Advantage 3 Collection**

Material: Steel



	Item #	Size	Finish
A	BER0968-1OB	64mm c/c	Oiled Bronze

**BERENSON™**

**Advantage Plus 2 Collection**

Material: Zinc



	Item #	Size	Finish
A	BER0914-198	1-1/8" Dia.	Black Nickel
B	BER0922-1BBN	3" c/c	Brushed Black Nickel
C	BER0923-1BBN	1-1/8" Dia.	Brushed Black Nickel
D	BER0924-199	3" c/c	Antique Silver
E	BER0971-126	3" c/c	Polished Chrome

	Item #	Size	Finish
F	BER0973-BPN	3" c/c	Brushed Nickel
G	BER1767-126	3" c/c	Polished Chrome
H	BER1773-126	1-1/8" Dia.	Polished Chrome
I	BER9355-10VB	3" c/c	Verona Bronze
J	BER9356-10WN	3" c/c	Weathered Nickel

A  
B  
C  
D  
E  
F  
G  
H  
I  
J  
K  
L  
M  
N  
O  
P  
Q  
R  
S  
T  
U  
V  
W  
X  
Y

A  
B  
C  
D  
E  
F  
G  
H  
I  
J  
K  
L  
M  
N  
O  
P  
Q  
R  
S  
T  
U  
V  
W  
X  
Y

**BERENSON™**

**Advantage Plus 4 Collection**



Material: Zinc



A



B



C



D



E



F



G



H

	Item #	Size	Finish
A	BER0934-1RG	1-5/16" Dia.	Rust Glaze
B	BER0944-1BBN	3" c/c	Brushed Blk Nickel
C	BER0945-1BPN	3" c/c	Brushed Nickel
D	BER0954-1BBN	1-1/4" Dia.	Brushed Blk Nickel

	Item #	Size	Finish
E	BER0955-1BPN	1-1/4" Dia.	Brushed Nickel
F	BER9371-1RGZ	3" c/c	Rust Glaze
G	BER9372-10VB	1-1/4" Dia.	Verona Bronze
H	BER9373-10VB	3" c/c	Verona Bronze



**BERENSON™**

**Advantage Plus 5 Collection**

Material: Zinc

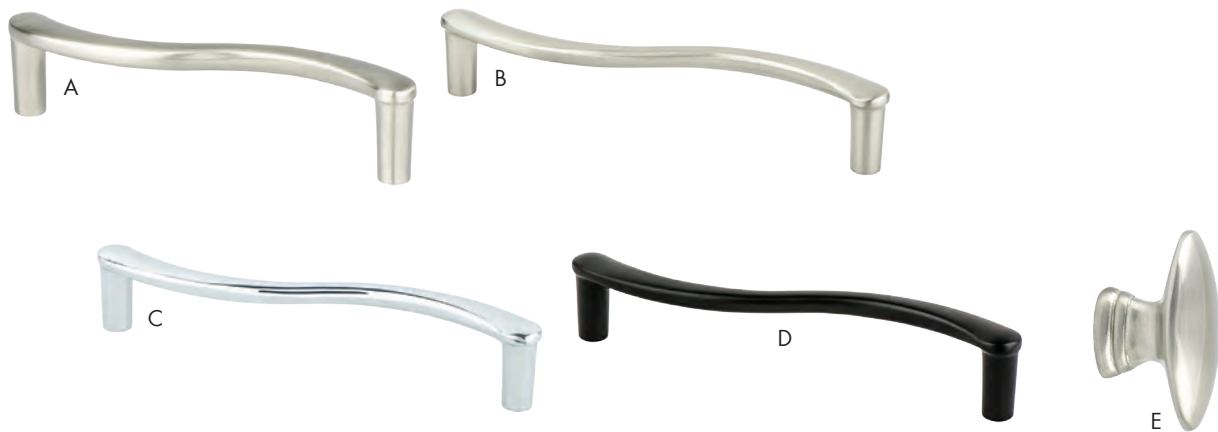


	Item #	Size	Finish
A	BER9389-10WN	2-9/16" Length	Weathered Nickel
B	BER9390-10VB	2-9/16" Length	Verona Bronze
C	BER9391-1BPN	2-9/16" Length	Brushed Nickel

	Item #	Size	Finish
D	BER9392-10VB	96mm c/c	Verona Bronze
E	BER9393-1BPN	96mm c/c	Brushed Nickel
F	BER9394-10WN	96mm c/c	Weathered Nickel

**Advantage Plus 6 Collection**

Material: Aluminum Pulls & Zinc Knobs



	Item #	Size	Finish
A	BER9403-4BPN	96mm c/c	Brushed Nickel
B	BER9406-4BPN	128mm c/c	Brushed Nickel
C	BER9407-4026	128mm c/c	Polished Chrome

	Item #	Size	Finish
D	BER9408-4055	128mm c/c	Black
E	BER9426-1BPN	1-7/16" Length	Brushed Nickel

A  
B  
C  
D  
E  
F  
G  
H  
I  
J  
K  
L  
M  
N  
O  
P  
Q  
R  
S  
T  
U  
V  
W  
X  
Y

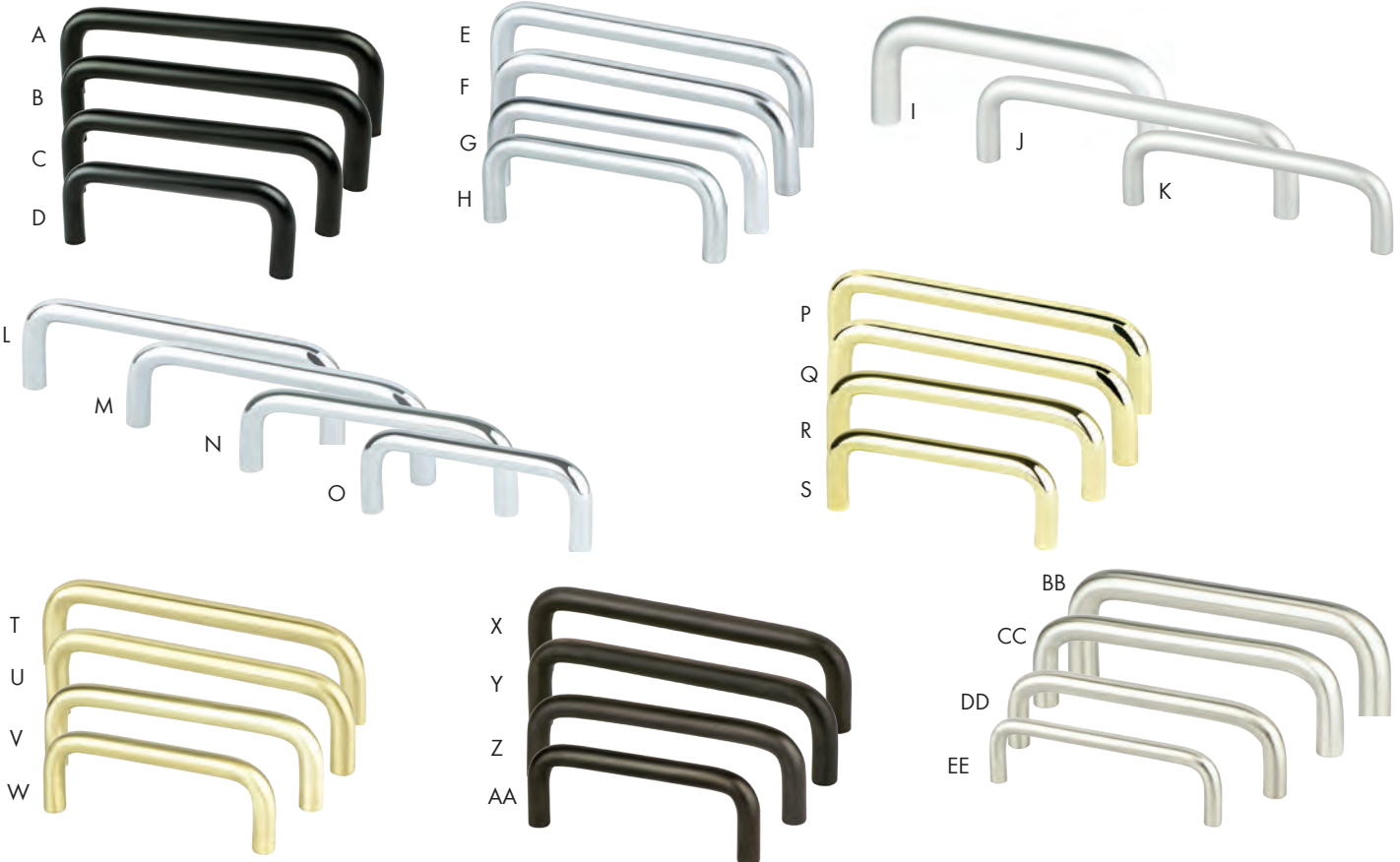
A  
B  
C  
D  
E  
F  
G  
H  
I  
J  
K  
L  
M  
N  
O  
P  
Q  
R  
S  
T  
U  
V  
W  
X  
Y

**BERENSON™**

**Advantage Wire Pull Collection**



Material: \* = Steel | \*\* = Aluminum



	Item #	Size	Finish
A	* BER6126-2055	4" c/c	Matte Black
B	* BER6127-2055	96mm c/c	Matte Black
C	* BER6128-2055	3-1/2" c/c	Matte Black
D	* BER6129-2055	3" c/c	Matte Black
E	* BER6130-2SC	4" c/c	Satin Chrome
F	* BER6131-2SC	96mm c/c	Satin Chrome
G	* BER6132-2SC	3-1/2" c/c	Satin Chrome
H	* BER6133-2SC	3" c/c	Satin Chrome
I	** BER6135-4SAL-P	3" c/c	Satin Aluminum
J	** BER6136-4SAL	4" c/c	Satin Aluminum
K	** BER6137-4SAL	96mm c/c	Satin Aluminum
L	* BER6140-226	4" c/c	Polished Chrome
M	* BER6141-226	96mm c/c	Polished Chrome
N	* BER6142-226	3-1/2" c/c	Polished Chrome
O	* BER6143-226	3" c/c	Polished Chrome
P	* BER6150-203	4" c/c	Polished Brass

	Item #	Size	Finish
Q	* BER6151-203	96mm c/c	Polished Brass
R	* BER6152-203	3-1/2" c/c	Polished Brass
S	* BER6153-203	3" c/c	Polished Brass
T	* BER6160-2SB	4" c/c	Satin Brass
U	* BER6161-2SB	96mm c/c	Satin Brass
V	* BER6162-2SB	3-1/2" c/c	Satin Brass
W	* BER6163-2SB	3" c/c	Satin Brass
X	* BER6170-20VB	4" c/c	Verona Bronze
Y	* BER6171-20VB	96mm c/c	Verona Bronze
Z	* BER6172-20VB	3-1/2" c/c	Verona Bronze
AA	* BER6173-20VB	3" c/c	Verona Bronze
BB	* BER6240-2BPN	3" c/c	Brushed Nickel
CC	* BER6242-2BPN	3-1/2" c/c	Brushed Nickel
DD	* BER6244-2BPN	96mm c/c	Brushed Nickel
EE	* BER6246-2BPN	4" c/c	Brushed Nickel

**BERENSON™**

**Alto Collection**

Material: Zinc



A



B



C



D



E



F



G



H



I



J



K



L



M



N

	Item #	Size	Finish
A	BER4103-4BPN	1-3/4" Diameter Knob	Brushed Nickel
B	BER4104-40VB-P	1-3/4" Diameter Knob	Verona Bronze
C	BER4106-4055	1-3/4" Diameter Knob	Black
D	BER4136-4026-P	1-3/4" Diameter Knob	Polished Chrome
E	BER7920-2BPN	96mm c/c Pull	Brushed Nickel
F	BER7923-20VB	96mm c/c Pull	Verona Bronze
G	BER7924-2026	96mm c/c Pull	Polished Chrome

	Item #	Size	Finish
H	BER7925-2055	96mm c/c Pull	Black
I	BER4137-2055	128mm c/c Pull	Black
J	BER4138-2026	128mm c/c Pull	Polished Chrome
K	BER7903-2VB	128mm c/c Pull	Verona Bronze
L	BER7921-2BPN	128mm c/c Pull	Brushed Nickel
M	BER7902-2VB	288mm c/c Pull	Verona Bronze
N	BER7922-2BPN	288mm c/c Pull	Brushed Nickel

A  
B  
C  
D  
E  
F  
G  
H  
I  
J  
K  
L  
M  
N  
O  
P  
Q  
R  
S  
T  
U  
V  
W  
X  
Y

A  
B  
C  
D  
E  
F  
G  
H  
I  
J  
K  
L  
M  
N  
O  
P  
Q  
R  
S  
T  
U  
V  
W  
X  
Y

**BERENSON™**

**American Classics Collection**

Material: Zinc



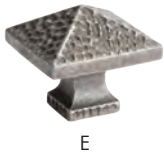
	Item #	Size	Finish
A	BER9079-1BPN	1-1/4" Dia. Knob	Brushed Nickel
B	BER9885-110	3" c/c Pull	Rubbed Bronze
C	BER9886-1BPN	3" c/c Pull	Brushed Nickel
D	BER9887-1FE	3" c/c Pull	Dull Rust
E	BER9888-1WN	3" c/c Pull	Weathered Nickel
F	BER9889-1WC	3" c/c Pull	Weathered Copper
G	BER9890-110	3" c/c Cup Pull	Rubbed Bronze
H	BER9892-1FE	3" c/c Cup Pull	Dull Rust
I	BER9893-1WC	3" c/c Cup Pull	Weathered Copper
J	BER9895-1WN	3" c/c Cup Pull	Weathered Nickel
K	BER9896-1BPN	3" c/c Cup Pull	Brushed Nickel
L	BER9923-110	1-1/8" Dia. Ring Knob	Rubbed Bronze

	Item #	Size	Finish
M	BER9924-1BPN	1-1/8" Dia. Ring Knob	Brushed Nickel
N	BER9925-1WC	1-1/8" Dia. Ring Knob	Weathered Copper
O	BER9927-1WN	1-1/8" Dia. Ring Knob	Weathered Nickel
P	BER9933-110	1-5/16" L Oval Knob	Rubbed Bronze
Q	BER9934-1FE	1-5/16" L Oval Knob	Dull Rust
R	BER9935-1WC	1-5/16" L Oval Knob	Weathered Copper
S	BER9936-1WN	1-5/16" L Oval Knob	Weathered Nickel
T	BER9937-1BPN	1-5/16" L Oval Knob	Brushed Nickel
U	BER9938-110	1-3/16" Dia. Knob	Rubbed Bronze
V	BER9941-1WC	1-3/16" Dia. Knob	Weathered Copper
W	BER9942-1WN	1-3/16" Dia. Knob	Weathered Nickel

**BERENSON™**

**American Craftsman Collection**

Material: Zinc



	Item #	Size	Finish
A	BER2000-1AI	3" c/c	Antique Iron
B	BER2001-1AI	1-3/8" Dia.	Antique Iron
C	BER2052-155	96mm c/c	Black

	Item #	Size	Finish
D	BER2236-1DC	3" c/c	Dark Copper
E	BER2237-1DC	1-1/4" Dia.	Dark Copper

**Andante Collection**

Material: Zinc



	Item #	Size	Finish
A	BER7891-1BPN	1-3/16" Diameter Knob	Brushed Nickel
B	BER7893-1AP	1-3/16" Diameter Knob	Antique Pewter
C	BER7894-1DBZ	1-3/16" Diameter Knob	Dull Bronze
D	BER3009-1DBZ	64mm c/c Cup Pull	Dull Bronze
E	BER3012-1AP	64mm c/c Cup Pull	Antique Pewter
F	BER7884-1BPN	64mm c/c Cup Pull	Brushed Nickel

	Item #	Size	Finish
G	BER3014-1BPN	96mm c/c Pull	Brushed Nickel
H	BER7888-1AP	96mm c/c Pull	Antique Pewter
I	BER7889-1DBZ	96mm c/c Pull	Dull Bronze
J	BER3008-1DBZ	128mm c/c Pull	Dull Bronze
K	BER3011-1AP	128mm c/c Pull	Antique Pewter
L	BER7881-1BPN	128mm c/c Pull	Brushed Nickel

A  
B  
C  
D  
E  
F  
G  
H  
I  
J  
K  
L  
M  
N  
O  
P  
Q  
R  
S  
T  
U  
V  
W  
X  
Y

A  
B  
C  
D  
E  
F  
G  
H  
I  
J  
K  
L  
M  
N  
O  
P  
Q  
R  
S  
T  
U  
V  
W  
X  
Y

**BERENSON™**

**Art Nouveau Collection**



Material: Zinc



	Item #	Size	Finish
A	BER4011-10VB	96mm c/c	Verona Bronze
B	BER4012-1VTN	96mm c/c	Vintage Nickel
C	BER4014-10VB	128mm c/c	Verona Bronze
D	BER4015-1VTN	128mm c/c	Vintage Nickel

	Item #	Size	Finish
E	BER4017-10VB	1-3/8" Dia.	Verona Bronze
F	BER4018-1VTN	1-3/8" Dia.	Vintage Nickel
G	BER4134-10VB	3" & 3-1/2" c/c	Verona Bronze
H	BER4135-1VTN	3" & 3-1/2" c/c	Vintage Nickel

**Appalachia Collection**



Material: Unlacquered Wood



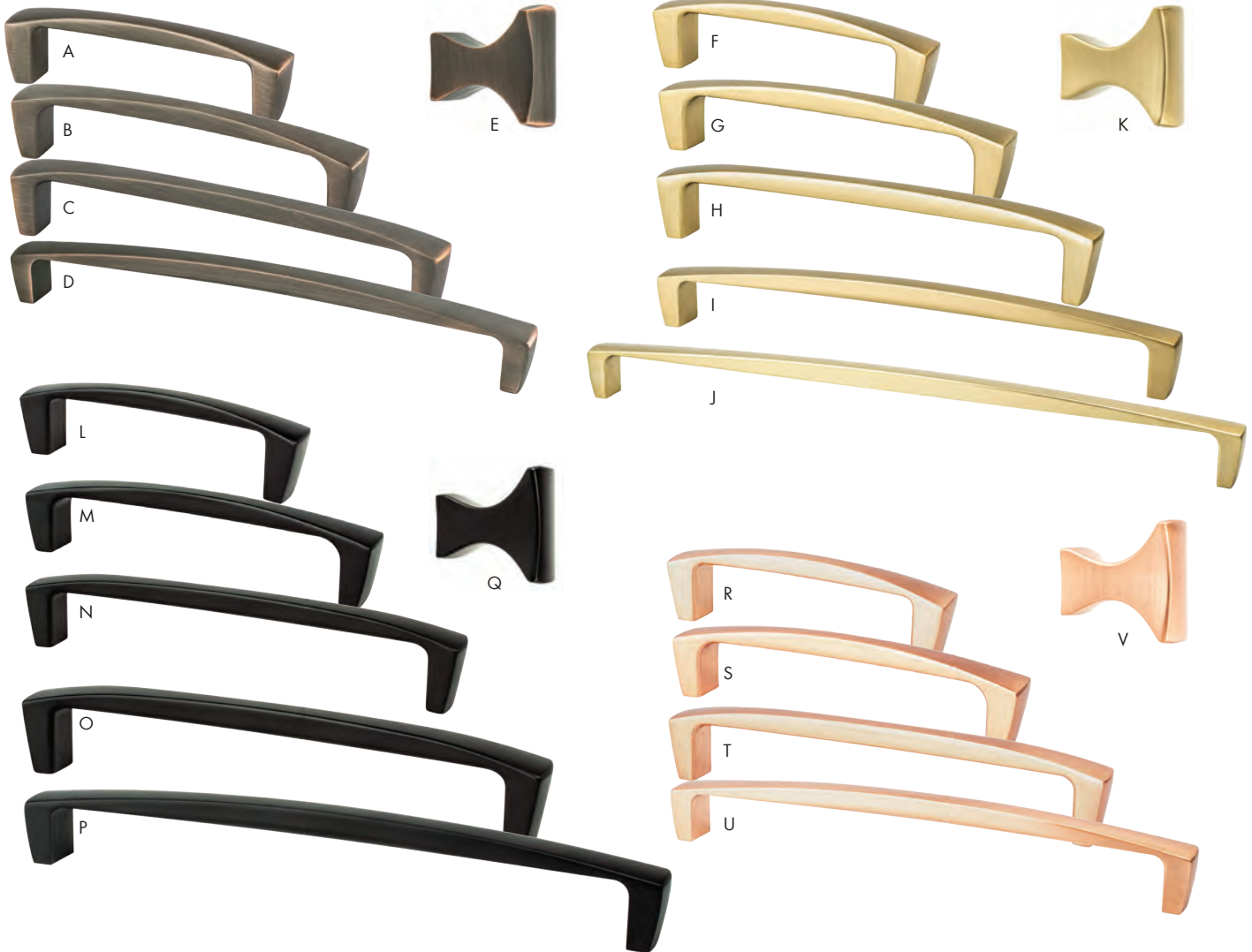
A

	Item #	Size	Finish
A	BER3462-SWM	1-5/16" Dia.	Unlacquered Maple

**BERENSON™**

**Aspire Collection**

Material: Zinc



**A**  
**B**  
**C**  
**D**  
**E**  
**F**  
**G**  
**H**  
**I**  
**J**  
**K**  
**L**  
**M**  
**N**  
**O**  
**P**  
**Q**  
**R**  
**S**  
**T**  
**U**  
**V**  
**W**  
**X**  
**Y**

	Item #	Size	Finish
A	BER2029-10VB	96mm c/c	Verona Bronze
B	BER2030-10VB	128mm c/c	Verona Bronze
C	BER2031-10VB	160mm c/c	Verona Bronze
D	BER2032-10VB	12" c/c	Verona Bronze
E	BER2033-10VB	1-1/4" Length	Verona Bronze
F	BER2130-1MDB	96mm c/c	Modern Brushed Gold
G	BER2131-1MDB	128mm c/c	Modern Brushed Gold
H	BER2132-1MDB	160mm c/c	Modern Brushed Gold
I	BER2133-1MDB	12" c/c	Modern Brushed Gold
J	BER2134-1MDB	18" c/c	Modern Brushed Gold
K	BER2135-1MDB	1-1/4" Length	Modern Brushed Gold

	Item #	Size	Finish
L	BER2136-1055	96mm c/c	Matte Black
M	BER2137-1055	128mm c/c	Matte Black
N	BER2138-1055	160mm c/c	Matte Black
O	BER2139-1055	12" c/c	Matte Black
P	BER2140-1055	18" c/c	Matte Black
Q	BER2141-1055	1-1/4" Length	Matte Black
R	BER2142-10BC	96mm c/c	Brushed Copper
S	BER2143-10BC	128mm c/c	Brushed Copper
T	BER2144-10BC	160mm c/c	Brushed Copper
U	BER2145-10BC	12" c/c	Brushed Copper
V	BER2146-10BC	1-1/4" Length	Brushed Copper

**A BERENSON™**

**Aspire Collection - continued**

Material: Zinc



	Item #	Size	Finish
W	BER2147-1026	18" c/c	Polished Chrome
X	BER2148-1BPN	18" c/c	Brushed Nickel
Y	BER2149-10BT	18" c/c	Brushed Tin
Z	BER2150-10VB	18" c/c	Verona Bronze
AA	BER9230-1026	96mm c/c	Polished Chrome
BB	BER9231-1BPN	96mm c/c	Brushed Nickel
CC	BER9232-10BT	96mm c/c	Brushed Tin
DD	BER9233-1026	128mm c/c	Polished Chrome
EE	BER9234-1BPN	128mm c/c	Brushed Nickel
FF	BER9235-10BT	128mm c/c	Brushed Tin

	Item #	Size	Finish
GG	BER9236-1026	160mm c/c	Polished Chrome
HH	BER9237-1BPN	160mm c/c	Brushed Nickel
II	BER9238-10BT	160mm c/c	Brushed Tin
JJ	BER9239-1026	12" c/c	Polished Chrome
KK	BER9240-1BPN	12" c/c	Brushed Nickel
LL	BER9241-10BT	12" c/c	Brushed Tin
MM	BER9242-1026	1-1/4" Length	Polished Chrome
NN	BER9243-1BPN	1-1/4" Length	Brushed Nickel
OO	BER9244-10BT	1-1/4" Length	Brushed Tin



**BERENSON™**

**Berenson Cup Pull Collection**

Material: Zinc



	Item #	Size	Finish
A	BER9946-1MDB	3" c/c	Modern Brushed Gold
B	BER9947-1055	3" c/c	Matte Black

**Berenson Knob Collection**

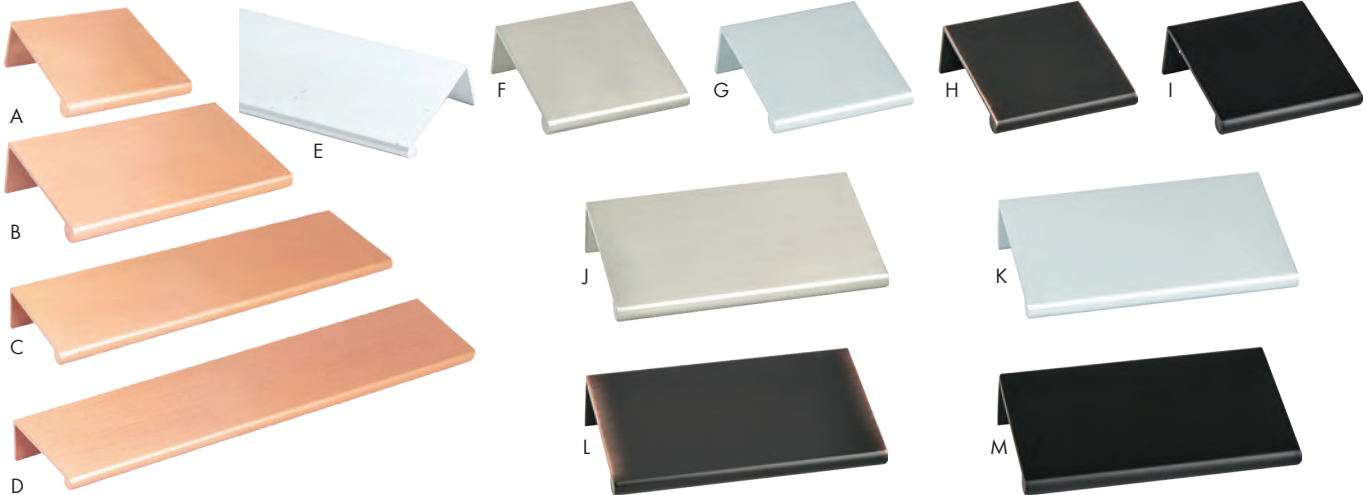
Material: Zinc



	Item #	Size	Finish
A	BER9714-1MDB	1-1/8" Dia.	Modern Brushed Gold

**Bravo Collection**

Material: Aluminum



	Item #	Size	Finish
A	BER1046-40BC	32mm c/c	Brushed Copper
B	BER1047-40BC	56mm c/c	Brushed Copper
C	BER1048-40BC	112mm c/c	Brushed Copper
D	BER1049-40BC	169mm c/c	Brushed Copper
E	BER1051-4ALU	96-7/16" Length	Aluminum
F	BER1052-4BPN	32mm c/c	Brushed Nickel
G	BER1053-4026	32mm c/c	Polished Chrome

	Item #	Size	Finish
H	BER1055-40VB	32mm c/c	Verona Bronze
I	BER1056-4055	32mm c/c	Satin Black
J	BER1057-4BPN	56mm c/c	Brushed Nickel
K	BER1058-4026	56mm c/c	Polished Chrome
L	BER1059-40VB	56mm c/c	Verona Bronze
M	BER1060-4055	56mm c/c	Satin Black

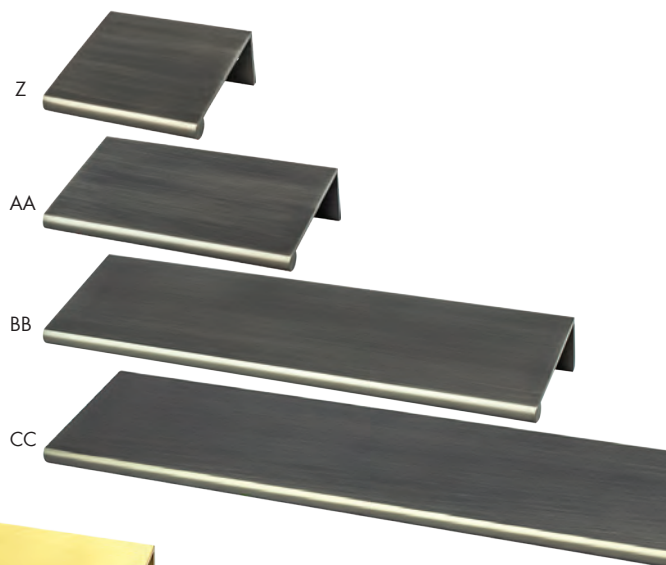
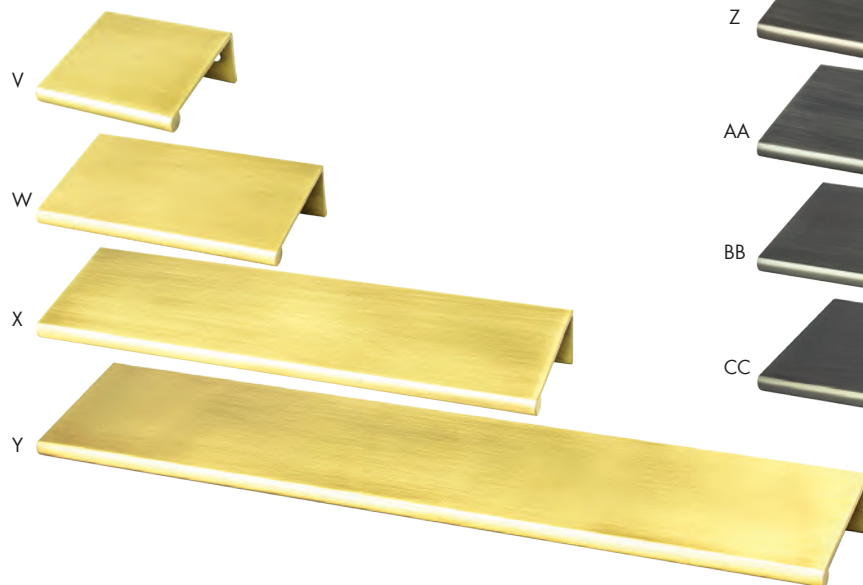
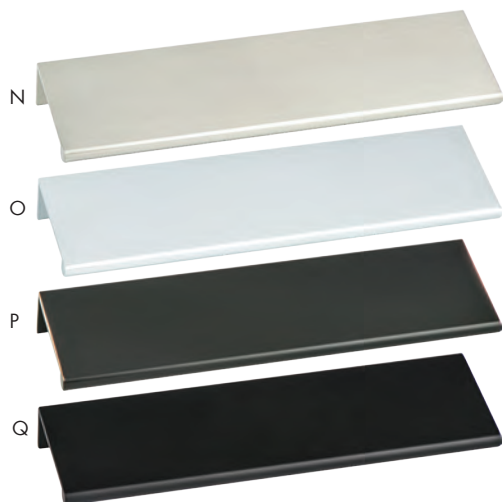
A  
B  
C  
D  
E  
F  
G  
H  
I  
J  
K  
L  
M  
N  
O  
P  
Q  
R  
S  
T  
U  
V  
W  
X  
Y

A  
B  
C  
D  
E  
F  
G  
H  
I  
J  
K  
L  
M  
N  
O  
P  
Q  
R  
S  
T  
U  
V  
W  
X  
Y

**BERENSON™**

**Bravo Collection - continued**

Material: Aluminum



	Item #	Size	Finish
N	BER1061-4BPN	112mm c/c	Brushed Nickel
O	BER1062-4026	112mm c/c	Polished Chrome
P	BER1063-40VB	112mm c/c	Verona Bronze
Q	BER1064-4055	112mm c/c	Satin Black
R	BER1065-4BPN	169mm c/c	Brushed Nickel
S	BER1066-4026	169mm c/c	Polished Chrome
T	BER1067-40VB	169mm c/c	Verona Bronze
U	BER1068-4055	169mm c/c	Satin Black

	Item #	Size	Finish
V	BER1069-40SG	32mm c/c	Satin Gold
W	BER1070-40SG	56mm c/c	Satin Gold
X	BER1071-40SG	112mm c/c	Satin Gold
Y	BER1072-40SG	169mm c/c	Satin Gold
Z	BER1073-4GPH	32mm c/c	Graphite
AA	BER1074-4GPH	56mm c/c	Graphite
BB	BER1075-4GPH	112mm c/c	Graphite
CC	BER1076-4GPH	169mm c/c	Graphite

**BERENSON™**

**Connections Collection**

Material: Zinc



A



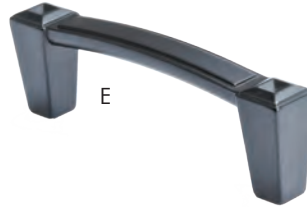
B



C



D



E



F



G



H



I



J



K



L

	Item #	Size	Finish
A	BER4007-1VTN	1-1/8" Square Knob	Vintage Nickel
B	BER4008-1055	1-1/8" Square Knob	Black
C	BER4009-10VB	1-1/8" Square Knob	Verona Bronze
D	BER4001-1VTN	3" c/c Pull	Vintage Nickel
E	BER4002-1055	3" c/c Pull	Black
F	BER4003-10VB	3" c/c Pull	Verona Bronze

	Item #	Size	Finish
G	BER4130-1VTN	96mm c/c Pull	Vintage Nickel
H	BER4131-1055	96mm c/c Pull	Black
I	BER4132-10VB	96mm c/c Pull	Verona Bronze
J	BER4004-1VTN	160mm c/c Pull	Vintage Nickel
K	BER4005-1055	160mm c/c Pull	Black
L	BER4006-10VB	160mm c/c Pull	Verona Bronze

A  
B  
C  
D  
E  
F  
G  
H  
I  
J  
K  
L  
M  
N  
O  
P  
Q  
R  
S  
T  
U  
V  
W  
X  
Y

A  
B  
C  
D  
E  
F  
G  
H  
I  
J  
K  
L  
M  
N  
O  
P  
Q  
R  
S  
T  
U  
V  
W  
X  
Y

**BERENSON™**

**Contemporary Advantage 1 Collection**

Material: \* = Zinc | \*\* = Aluminum



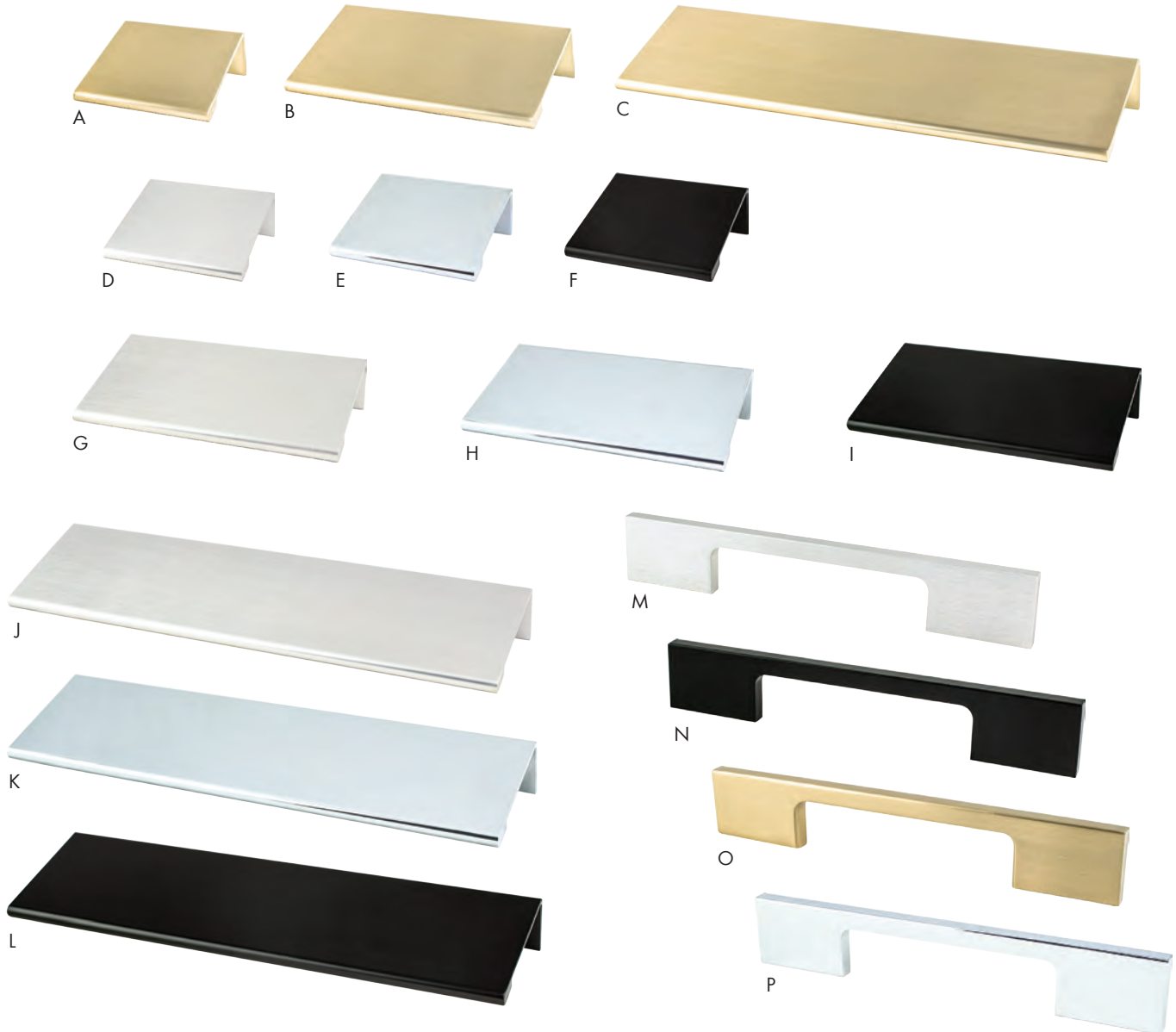
	Item #	Size	Finish
A	* BER0949-1BPN	1-1/8" Sq.	Brushed Nickel
B	* BER0950-1026	1-1/8" Sq.	Polished Chrome
C	* BER0951-1055	1-1/8" Sq.	Matte Black
D	* BER0952-10CZ	1-1/8" Sq.	Champagne
E	* BER0953-10VB	1-1/8" Sq.	Verona Bronze
F	** BER9009-4BPN	96mm c/c	Brushed Nickel
G	** BER9010-4026	96mm c/c	Polished Chrome
H	** BER9011-4055	96mm c/c	Matte Black
I	** BER9012-4BPN	128mm c/c	Brushed Nickel
J	** BER9013-4026	128mm c/c	Polished Chrome
K	** BER9014-4055	128mm c/c	Matte Black
L	** BER9015-4BPN	160mm c/c	Brushed Nickel
M	** BER9016-4026	160mm c/c	Polished Chrome

	Item #	Size	Finish
N	** BER9017-4055	160mm c/c	Matte Black
O	** BER9018-4BPN	192mm c/c	Brushed Nickel
P	** BER9019-4026	192mm c/c	Polished Chrome
Q	** BER9020-4055	192mm c/c	Matte Black
R	** BER9025-40CZ	96mm c/c	Champagne
S	** BER9026-40CZ	128mm c/c	Champagne
T	** BER9027-40CZ	160mm c/c	Champagne
U	** BER9028-40CZ	192mm c/c	Champagne
V	** BER9029-40VB	96mm c/c	Verona Bronze
W	** BER9030-40VB	128mm c/c	Verona Bronze
X	** BER9031-40VB	160mm c/c	Verona Bronze
Y	** BER9032-40VB	192mm c/c	Verona Bronze

**BERENSON™**

**Contemporary Advantage 2 Collection**

Material: Aluminum



	Item #	Size	Finish
A	BER8997-40CZ	25.4mm c/c	Champagne
B	BER8998-40CZ	56mm c/c	Champagne
C	BER8999-40CZ	112mm c/c	Champagne
D	BER9000-4BNL	25.4mm c/c	Brushed Nkl Look
E	BER9001-4026	25.4mm c/c	Polished Chrome
F	BER9002-4055	25.4mm c/c	Matte Black
G	BER9003-4BNL	56mm c/c	Brushed Nkl Look
H	BER9004-4026	56mm c/c	Polished Chrome

	Item #	Size	Finish
I	BER9005-4055	56mm c/c	Matte Black
J	BER9006-4BNL	112mm c/c	Brushed Nkl Look
K	BER9007-4026	112mm c/c	Polished Chrome
L	BER9008-4055	112mm c/c	Matte Black
M	BER9023-4BNL	96mm c/c	Brushed Nkl Look
N	BER9024-4055	96mm c/c	Matte Black
O	BER9033-40CZ	96mm c/c	Champagne
P	BER9034-4026	96mm c/c	Polished Chrome

A  
B  
C  
D  
E  
F  
G  
H  
I  
J  
K  
L  
M  
N  
O  
P  
Q  
R  
S  
T  
U  
V  
W  
X  
Y

A

**BERENSON™**

B

**Contemporary Advantage 3 Collection**



Material: \* = Zinc | \*\* = Steel

C

D

E

F

G

H

I

J

K

L

M

N

O

P

Q

R

S

T

U

V

W

X

Y



		Item #	Size	Finish
A	**	BER4137-2055	128mm c/c	Matte Black
B	**	BER4138-2026	128mm c/c	Polished Chrome
C	**	BER7903-2VB	128mm c/c	Verona Bronze
D	**	BER7918-20CZ	96mm c/c	Champagne
E	**	BER7919-20CZ	128mm c/c	Champagne
F	**	BER7920-2BPN	96mm c/c	Brushed Nickel
G	**	BER7921-2BPN	128mm c/c	Brushed Nickel
H	**	BER7923-20VB	96mm c/c	Verona Bronze
I	**	BER7924-2026	96mm c/c	Polished Chrome
J	**	BER7925-2055	96mm c/c	Matte Black

		Item #	Size	Finish
K	*	BER9112-1026	128mm c/c	Polished Chrome
L	*	BER9113-1055	128mm c/c	Matte Black
M	*	BER9114-10VB	128mm c/c	Verona Bronze
N	*	BER9115-1BPN	128mm c/c	Brushed Nickel
O	*	BER9116-10CZ	128mm c/c	Champagne
P	*	BER9117-1026	96mm c/c	Polished Chrome
Q	*	BER9118-1055	96mm c/c	Matte Black
R	*	BER9119-10VB	96mm c/c	Verona Bronze
S	*	BER9120-1BPN	96mm c/c	Brushed Nickel
T	*	BER9121-10CZ	96mm c/c	Champagne

**BERENSON™**

**Contemporary Advantage 4 Collection**

Material: \* = Zinc | \*\* = Aluminum



**A**  
**B**  
**C**  
**D**  
**E**  
**F**  
**G**  
**H**  
**I**  
**J**  
**K**  
**L**  
**M**  
**N**  
**O**  
**P**  
**Q**  
**R**  
**S**  
**T**  
**U**  
**V**  
**W**  
**X**  
**Y**

		Item #	Size	Finish
A	*	BER9122-10CZ	128mm c/c	Champagne
B	**	BER9123-40CZ	128mm c/c	Champagne
C	*	BER9124-10CZ	96mm c/c	Champagne
D	**	BER9125-40CZ	96mm c/c	Champagne
E	**	BER9126-40CZ	1-1/4" Dia.	Champagne
F	*	BER9395-1BPN	96mm c/c	Brushed Nickel
G	*	BER9396-1026	96mm c/c	Polished Chrome
H	*	BER9397-1055	96mm c/c	Matte Black
I	*	BER9398-1BPN	128mm c/c	Brushed Nickel
J	*	BER9399-1026	128mm c/c	Polished Chrome

		Item #	Size	Finish
K	*	BER9400-1055	128mm c/c	Matte Black
L	**	BER9418-4BPN	96mm c/c	Brushed Nickel
M	**	BER9419-4026	96mm c/c	Polished Chrome
N	**	BER9420-4055	96mm c/c	Matte Black
O	**	BER9423-4BPN	128mm c/c	Brushed Nickel
P	**	BER9424-4026	128mm c/c	Polished Chrome
Q	**	BER9425-4055	128mm c/c	Matte Black
R	**	BER9432-4BPN	1-1/4" Dia.	Brushed Nickel
S	**	BER9433-4026	1-1/4" Dia.	Polished Chrome
T	**	BER9434-4055	1-1/4" Dia.	Matte Black

A  
B  
C  
D  
E  
F  
G  
H  
I  
J  
K  
L  
M  
N  
O  
P  
Q  
R  
S  
T  
U  
V  
W  
X  
Y

**BERENSON™**

**Contemporary Advantage 5 Collection**

Material: Zinc



	Item #	Size	Finish
A	BER9127-10CZ	128mm c/c	Champagne
B	BER9128-10CZ	96mm c/c	Champagne
C	BER9129-10CZ	1-1/8" Dia.	Champagne
D	BER9409-1BPN	96mm c/c	Brushed Nickel
E	BER9410-1026	96mm c/c	Polished Chrome
F	BER9411-1055	96mm c/c	Matte Black

	Item #	Size	Finish
G	BER9412-1BPN	128mm c/c	Brushed Nickel
H	BER9413-1026	128mm c/c	Polished Chrome
I	BER9414-1055	128mm c/c	Matte Black
J	BER9429-1BPN	1-1/8" Dia.	Brushed Nickel
K	BER9430-1026	1-1/8" Dia.	Polished Chrome
L	BER9431-1055	1-1/8" Dia.	Matte Black



**BERENSON™**

**Designers Group 10 Collection**

Material: Zinc



	Item #	Size	Finish
A	BER4143-1014	1-1/4" Diameter Knob	Polished Nickel
B	BER4145-1014	1-1/4" Diameter Knob	Polished Nickel
C	BER4152-1014	1-3/8" Diameter Knob	Polished Nickel
D	BER4150-1014	1-5/16" Diameter Knob	Polished Nickel
E	BER4142-1014	1-9/16" Length Knob	Polished Nickel
F	BER4139-1014	3" c/c Pull	Polished Nickel
G	BER4146-1014	3" c/c Pull	Polished Nickel
H	BER4148-1014	3" c/c Pull	Polished Nickel
I	BER4140-1014	96mm c/c Pull	Polished Nickel

	Item #	Size	Finish
J	BER4144-1014	96mm c/c Pull	Polished Nickel
K	BER4153-1014	96mm c/c Pull	Polished Nickel
L	BER4147-1014	4" c/c Pull	Polished Nickel
M	BER2041-1014	128mm c/c Pull	Polished Nickel
N	BER4141-1014	6" c/c Pull	Polished Nickel
O	BER4149-1014	6" c/c Pull	Polished Nickel
P	BER2046-1014	160mm c/c Pull	Polished Nickel
Q	BER2036-1014	12" c/c Pull	Polished Nickel
R	BER4154-1014	18" c/c Pull	Polished Nickel

A  
B  
C  
D  
E  
F  
G  
H  
I  
J  
K  
L  
M  
N  
O  
P  
Q  
R  
S  
T  
U  
V  
W  
X  
Y

**BERENSON™**

**Dierdra Collection**

Material: Zinc



	Item #	Size	Finish
A	BER4061-1BPN	1-7/16" L Oval Knob	Brushed Nickel
B	BER4062-10VB	1-7/16" L Oval Knob	Verona Bronze
C	BER4065-10WN	1-7/16" L Oval Knob	Weathered Nickel
D	BER4071-1ORB	1-7/16" L Oval Knob	Oil Rubbed Bronze
E	BER4110-1014	1-7/16" L Oval Knob	Polished Nickel
F	BER9809-1VTN	1-7/16" L Oval Knob	Vintage Nickel
G	BER4056-1BPN	96mm c/c Pull	Brushed Nickel
H	BER4057-10VB	96mm c/c Pull	Verona Bronze
I	BER4058-10WN	96mm c/c Pull	Weathered Nickel
J	BER4060-1ORB	96mm c/c Pull	Oil Rubbed Bronze
K	BER4107-1014	96mm c/c Pull	Polished Nickel

	Item #	Size	Finish
L	BER9806-1VTN	96mm c/c Pull	Vintage Nickel
M	BER9562-1BPN	160mm c/c Pull	Brushed Nickel
N	BER9565-1ORB	160mm c/c Pull	Oil Rubbed Bronze
O	BER9567-1014	160mm c/c Pull	Polished Nickel
P	BER9569-10VB	160mm c/c Pull	Verona Bronze
Q	BER9807-1VTN	160mm c/c Pull	Vintage Nickel
R	BER9810-10WN	160mm c/c Pull	Weathered Nickel
S	BER9564-1BPN	224mm c/c Pull	Brushed Nickel
T	BER9566-1ORB	224mm c/c Pull	Oil Rubbed Bronze
U	BER9568-1014	224mm c/c Pull	Polished Nickel
V	BER9805-10VB	224mm c/c Pull	Verona Bronze

**BERENSON™**

**Domestic Bliss Collection**

Material: Zinc



A  
B  
C  
D  
E  
F  
G  
H  
I  
J  
K  
L  
M  
N  
O  
P  
Q  
R  
S  
T  
U  
V  
W  
X  
Y

	Item #	Size	Finish
A	BER2339-1BPN	96mm c/c Pull	Brushed Nickel
B	BER2340-10VB	96mm c/c Pull	Verona Bronze
C	BER2341-1014	96mm c/c Pull	Polished Nickel
D	BER2342-1MDB	96mm c/c Pull	Modern Brushed Gold
E	BER2343-1BPN	128mm c/c Pull	Brushed Nickel
F	BER2344-10VB	128mm c/c Pull	Verona Bronze
G	BER2346-1014	128mm c/c Pull	Polished Nickel
H	BER2347-1MDB	128mm c/c Pull	Modern Brushed Gold
I	BER2348-1BPN	160mm c/c Pull	Brushed Nickel
J	BER2349-10VB	160mm c/c Pull	Verona Bronze
K	BER2350-1014	160mm c/c Pull	Polished Nickel
L	BER2351-1MDB	160mm c/c Pull	Modern Brushed Gold

	Item #	Size	Finish
M	BER2352-1BPN	224mm c/c Pull	Brushed Nickel
N	BER2353-10VB	224mm c/c Pull	Verona Bronze
O	BER2354-1014	224mm c/c Pull	Polished Nickel
P	BER2355-1MDB	224mm c/c Pull	Modern Brushed Gold
Q	BER2356-1BPN	320mm c/c Pull	Brushed Nickel
R	BER2357-10VB	320mm c/c Pull	Verona Bronze
S	BER2358-1014	320mm c/c Pull	Polished Nickel
T	BER2359-1MDB	320mm c/c Pull	Modern Brushed Gold
U	BER2360-1BPN	1-1/2" Dia.Knob	Brushed Nickel
V	BER2361-10VB	1-1/2" Dia.Knob	Verona Bronze
W	BER2362-1014	1-1/2" Dia.Knob	Polished Nickel
X	BER2363-1MDB	1-1/2" Dia.Knob	Modern Brushed Gold

A

**BERENSON™**

B

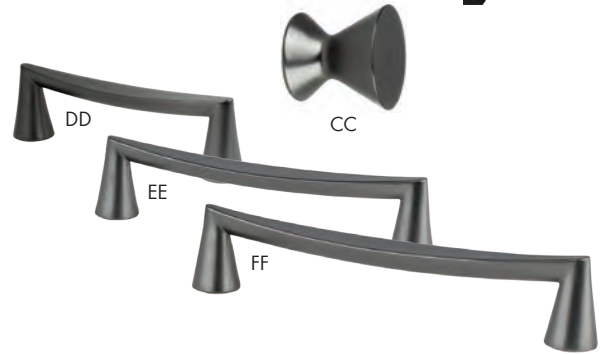
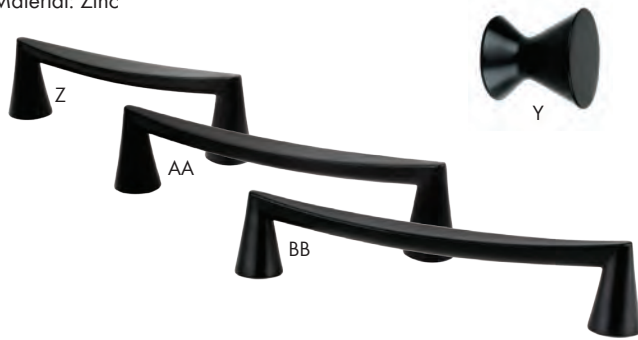
**Domestic Bliss Collection - continued**



C

Material: Zinc

D



	Item #	Size	Finish
Y	BER2399-1055	1-3/16" Dia.	Matte Black
Z	BER2400-1055	96mm c/c	Matte Black
AA	BER2401-1055	128mm c/c	Matte Black
BB	BER2402-1055	160mm c/c	Matte Black

	Item #	Size	Finish
CC	BER2403-1SLT	1-3/16" Dia.	Slate
DD	BER2404-1SLT	96mm c/c	Slate
EE	BER2405-1SLT	128mm c/c	Slate
FF	BER2406-1SLT	160mm c/c	Slate

E

F

G

H

I

J

K

L

M

N

O

P

Q

R

S

T

U

V

W

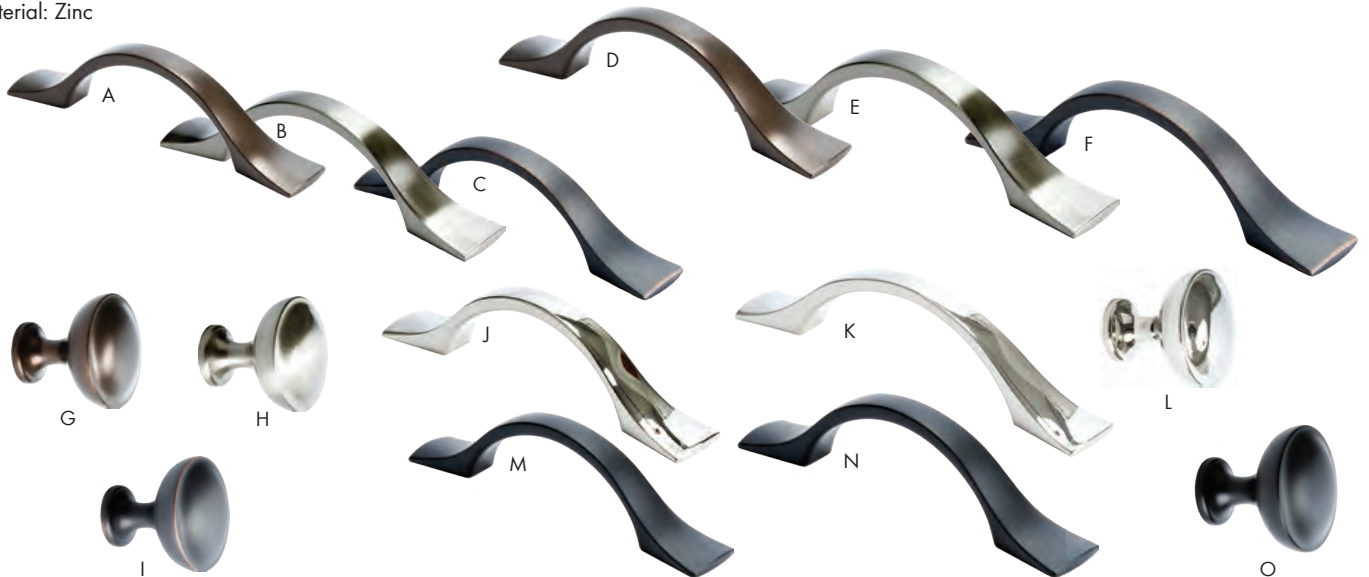
X

Y

**Echo Collection**



Material: Zinc



	Item #	Size	Finish
A	BER9221-1ORB	3" c/c Pull	Oil Rubbed Bronze
B	BER9222-1BPN	3" c/c Pull	Brushed Nickel
C	BER9223-10VB	3" c/c Pull	Verona Bronze
D	BER9224-1ORB	96mm c/c Pull	Oil Rubbed Bronze
E	BER9225-1BPN	96mm c/c Pull	Brushed Nickel
F	BER9226-10VB	96mm c/c Pull	Verona Bronze
G	BER9227-1ORB	30mm Diameter Knob	Oil Rubbed Bronze
H	BER9228-1BPN	30mm Diameter Knob	Brushed Nickel

	Item #	Size	Finish
I	BER9229-10VB	30mm Diameter Knob	Verona Bronze
J	BER9257-1014	3" c/c Pull	Polished Nickel
K	BER9258-1014	96mm c/c Pull	Polished Nickel
L	BER9259-1014	30mm Diameter Knob	Polished Nickel
M	BER9260-1055	3" c/c Pull	Matte Black
N	BER9261-1055	96mm c/c Pull	Matte Black
O	BER9262-1055	30mm Diameter Knob	Matte Black

**BERENSON™**

**Elevate Collection**

Material: Aluminum



	Item #	Size	Finish
A	BER2085-4BPN	96mm c/c Pull	Brushed Nickel
B	BER2086-40VB	96mm c/c Pull	Verona Bronze
C	BER2087-4BPN	128mm c/c Pull	Brushed Nickel
D	BER2088-40VB	128mm c/c Pull	Verona Bronze
E	BER2089-4BPN	160mm c/c Pull	Brushed Nickel
F	BER2090-40VB	160mm c/c Pull	Verona Bronze

	Item #	Size	Finish
G	BER2091-4BPN	256mm c/c Pull	Brushed Nickel
H	BER2092-40VB	256mm c/c Pull	Verona Bronze
I	BER2093-4BPN	320mm c/c Pull	Brushed Nickel
J	BER2094-40VB	320mm c/c Pull	Verona Bronze
K	BER2095-4BPN	1-9/16" x 1-9/16" Knob	Brushed Nickel
L	BER2096-40VB	1-9/16" x 1-9/16" Knob	Verona Bronze

A  
B  
C  
D  
E  
F  
G  
H  
I  
J  
K  
L  
M  
N  
O  
P  
Q  
R  
S  
T  
U  
V  
W  
X  
Y

**BERENSON™**

**Elevate Collection - continued**

Material: Aluminum



	Item #	Size	Finish
M	BER2100-40VB	18" c/c	Verona Bronze
N	BER2101-4BPN	18" c/c	Brushed Nickel
O	BER2102-40SG	96mm c/c	Satin Gold
P	BER2103-40SG	128mm c/c	Satin Gold
Q	BER2104-40SG	160mm c/c	Satin Gold
R	BER2105-40SG	256mm c/c	Satin Gold
S	BER2106-40SG	320mm c/c	Satin Gold
T	BER2107-40SG	18" c/c	Satin Gold
U	BER2108-40SG	1-9/16" Sq.	Satin Gold

	Item #	Size	Finish
V	BER2109-4GPH	96mm c/c	Graphite
W	BER2110-4GPH	128mm c/c	Graphite
X	BER2111-4GPH	160mm c/c	Graphite
Y	BER2112-4GPH	256mm c/c	Graphite
Z	BER2113-4GPH	320mm c/c	Graphite
AA	BER2114-4GPH	18" c/c	Graphite
BB	BER2115-4GPH	1-9/16" Sq.	Graphite
CC	BER2116-4055	96mm c/c	Matte Black
DD	BER2117-4055	128mm c/c	Matte Black

**BERENSON™**

**Elevate Collection - continued**

Material: \* = Zinc | \*\* = Aluminum



		Item #	Size	Finish
EE	**	BER2118-4055	160mm c/c	Matte Black
FF	**	BER2119-4055	256mm c/c	Matte Black
GG	**	BER2120-4055	320mm c/c	Matte Black
HH	**	BER2121-4055	18" c/c	Matte Black
II	**	BER2122-4055	1-9/16" Sq.	Matte Black
JJ	**	BER2123-4026	96mm c/c	Polished Chrome
KK	**	BER2124-4026	128mm c/c	Polished Chrome
LL	**	BER2125-4026	160mm c/c	Polished Chrome
MM	**	BER2126-4026	256mm c/c	Polished Chrome

		Item #	Size	Finish
NN	**	BER2127-4026	320mm c/c	Polished Chrome
OO	**	BER2128-4026	18" c/c	Polished Chrome
PP	**	BER2129-4026	1-9/16" Sq.	Polished Chrome
QQ	*	BER2172-1BPN	1-3/16" Sq.	Brushed Nickel
RR	*	BER2173-10SG	1-3/16" Sq.	Satin Gold
SS	*	BER2174-1GPH	1-3/16" Sq.	Graphite
TT	*	BER2175-1055	1-3/16" Sq.	Matte Black
UU	*	BER2176-1026	1-3/16" Sq.	Polished Chrome
VV	*	BER2177-10VB	1-3/16" Sq.	Verona Bronze

A  
B  
C  
D  
E  
F  
G  
H  
I  
J  
K  
L  
M  
N  
O  
P  
Q  
R  
S  
T  
U  
V  
W  
X  
Y

A  
B  
C  
D  
E  
F  
G  
H  
I  
J  
K  
L  
M  
N  
O  
P  
Q  
R  
S  
T  
U  
V  
W  
X  
Y

**BERENSON™**

**Epoch Edge Collection**

Material: Zinc



	Item #	Size	Finish
A	BER1200-1BPN	1-3/8"L x 1-1/8"W Knob	Brushed Nickel
B	BER1201-10VB	1-3/8"L x 1-1/8"W Knob	Verona Bronze
C	BER1202-1026	1-3/8"L x 1-1/8"W Knob	Polished Chrome
D	BER1203-1055	1-3/8"L x 1-1/8"W Knob	Matte Black
E	BER1204-1MDB	1-3/8"L x 1-1/8"W Knob	Modern Brushed Gold
F	BER1205-1VTN	1-3/8"L x 1-1/8"W Knob	Vintage Nickel
G	BER1206-1BPN	96mm c/c Pull	Brushed Nickel
H	BER1207-10VB	96mm c/c Pull	Verona Bronze
I	BER1208-1026	96mm c/c Pull	Polished Chrome

	Item #	Size	Finish
J	BER1209-1055	96mm c/c Pull	Matte Black
K	BER1210-1MDB	96mm c/c Pull	Modern Brushed Gold
L	BER1211-1VTN	96mm c/c Pull	Vintage Nickel
M	BER1212-1BPN	128mm c/c Pull	Brushed Nickel
N	BER1213-10VB	128mm c/c Pull	Verona Bronze
O	BER1214-1026	128mm c/c Pull	Polished Chrome
P	BER1215-1055	128mm c/c Pull	Matte Black
Q	BER1216-1MDB	128mm c/c Pull	Modern Brushed Gold
R	BER1217-1VTN	128mm c/c Pull	Vintage Nickel



**BERENSON™**

**Epoch Edge Collection - continued**

Material: Zinc



	Item #	Size	Finish
S	BER1218-1BPN	160mm c/c Pull	Brushed Nickel
T	BER1219-10VB	160mm c/c Pull	Verona Bronze
U	BER1220-1026	160mm c/c Pull	Polished Chrome
V	BER1221-1055	160mm c/c Pull	Matte Black
W	BER1222-1MDB	160mm c/c Pull	Modern Brushed Gold
X	BER1223-1VTN	160mm c/c Pull	Vintage Nickel
Y	BER1224-1BPN	224mm c/c Pull	Brushed Nickel
Z	BER1225-10VB	224mm c/c Pull	Verona Bronze
AA	BER1226-1026	224mm c/c Pull	Polished Chrome

	Item #	Size	Finish
BB	BER1227-1055	224mm c/c Pull	Matte Black
CC	BER1228-1MDB	224mm c/c Pull	Modern Brushed Gold
DD	BER1229-1VTN	224mm c/c Pull	Vintage Nickel
EE	BER1230-1BPN	12" c/c Appliance Pull	Brushed Nickel
FF	BER1231-10VB	12" c/c Appliance Pull	Verona Bronze
GG	BER1232-1026	12" c/c Appliance Pull	Polished Chrome
HH	BER1233-1055	12" c/c Appliance Pull	Matte Black
II	BER1234-1MDB	12" c/c Appliance Pull	Modern Brushed Gold
JJ	BER1235-1VTN	12" c/c Appliance Pull	Vintage Nickel

A  
B  
C  
D  
E  
F  
G  
H  
I  
J  
K  
L  
M  
N  
O  
P  
Q  
R  
S  
T  
U  
V  
W  
X  
Y

A  
B  
C  
D  
E  
F  
G  
H  
I  
J  
K  
L  
M  
N  
O  
P  
Q  
R  
S  
T  
U  
V  
W  
X  
Y

# BERENSON™

## Euro Classica Collection

Material: Zinc



	Item #	Size	Finish
A	BER7087-1BPN	1-3/8" Diameter Knob	Brushed Nickel
B	BER7093-1BPN	1-3/8" Diameter Knob	Brushed Nickel
C	BER7094-1BT	1-3/8" Diameter Knob	Brushed Tin
D	BER7096-1BPN	1-3/8" Diameter Knob	Brushed Nickel
E	BER7090-1BPN	1-3/8" Length Knob	Brushed Nickel

	Item #	Size	Finish
F	BER7081-1BPN	96mm c/c Pull	Brushed Nickel
G	BER7082-1BT	96mm c/c Pull	Brushed Tin
H	BER7084-1BPN	128mm c/c Pull	Brushed Nickel
I	BER7085-1BT	128mm c/c Pull	Brushed Tin

## Euro Moderno Collection

Material: Zinc



	Item #	Size	Finish
A	BER9722-1BAC	1-3/16" Dia. Knob	Brushed Antique Copper
B	BER9723-1BBN	1-3/16" Dia. Knob	Brushed Black Nickel
C	BER9724-1BAB	1-3/16" Dia. Knob	Brushed Antique Brass
D	BER9913-1BPN	1-3/16" Dia. Knob	Brushed Nickel
E	BER9710-1BPN	64mm c/c Cup Pull	Brushed Nickel
F	BER9711-1BAC	64mm c/c Cup Pull	Brushed Antique Copper

	Item #	Size	Finish
G	BER9712-1BBN	64mm c/c Cup Pull	Brushed Black Nickel
H	BER9713-1BAB	64mm c/c Cup Pull	Brushed Antique Brass
I	BER9718-1BPN	96mm c/c Pull	Brushed Nickel
J	BER9719-1BAC	96mm c/c Pull	Brushed Antique Copper
K	BER9720-1BBN	96mm c/c Pull	Brushed Black Nickel
L	BER9721-1BAB	96mm c/c Pull	Brushed Antique Brass

**BERENSON™**

**Euro Rustica Collection**

Material: Zinc

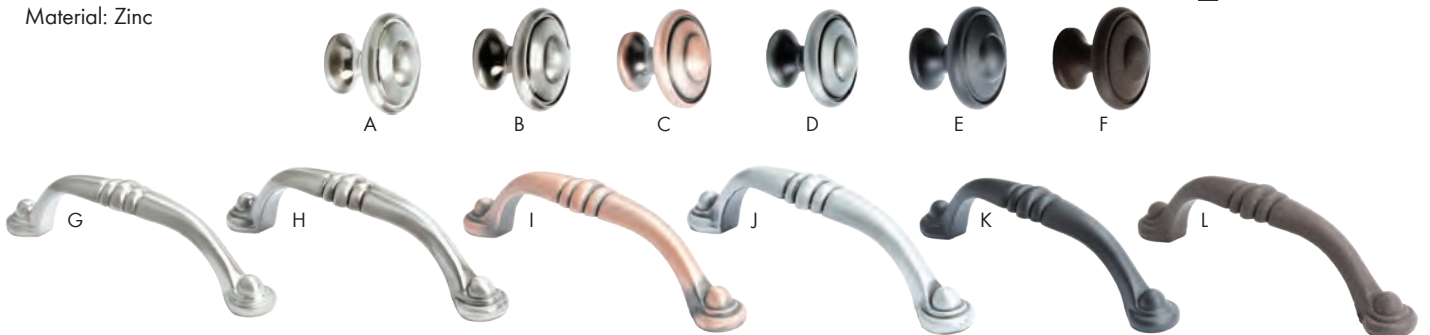


	Item #	Size	Finish
A	BER2982-1RN	1-3/16" Diameter Knob	Rustic Nickel
B	BER2983-1RC	1-3/16" Diameter Knob	Rustic Copper
C	BER2984-1RI	1-3/16" Diameter Knob	Rustic Iron
D	BER2976-1RN	1-3/8" Diameter Knob	Rustic Nickel
E	BER2977-1RC	1-3/8" Diameter Knob	Rustic Copper
F	BER2978-1RI	1-3/8" Diameter Knob	Rustic Iron
G	BER2973-1RN	64mm c/c Cup Pull	Rustic Nickel
H	BER2974-1RC	64mm c/c Cup Pull	Rustic Copper

	Item #	Size	Finish
I	BER2975-1RI	64mm c/c Cup Pull	Rustic Iron
J	BER2979-1RN	96mm c/c Pull	Rustic Nickel
K	BER2980-1RC	96mm c/c Pull	Rustic Copper
L	BER2981-1RI	96mm c/c Pull	Rustic Iron
M	BER2985-1RN	96mm c/c Pull	Rustic Nickel
N	BER2986-1RC	96mm c/c Pull	Rustic Copper
O	BER2987-1RI	96mm c/c Pull	Rustic Iron

**Euro Traditions Collection**

Material: Zinc



	Item #	Size	Finish
A	BER2920-1BPN	1-3/16" Dia. Knob	Brushed Nickel
B	BER2921-1BBN	1-3/16" Dia. Knob	Brushed Black Nickel
C	BER2923-1BAC	1-3/16" Dia. Knob	Brushed Antique Copper
D	BER2924-1BAP	1-3/16" Dia. Knob	Brushed Antique Pewter
E	BER2927-155	1-3/16" Dia. Knob	Black
F	BER2928-1FE	1-3/16" Dia. Knob	Dull Rust

	Item #	Size	Finish
G	BER2930-1BPN	96mm c/c Pull	Brushed Nickel
H	BER2931-1BBN	96mm c/c Pull	Brushed Black Nickel
I	BER2933-1BAC	96mm c/c Pull	Brushed Antique Copper
J	BER2934-1BAP	96mm c/c Pull	Brushed Antique Pewter
K	BER2937-155	96mm c/c Pull	Black
L	BER2938-1FE	96mm c/c Pull	Dull Rust

A  
B  
C  
D  
E  
F  
G  
H  
I  
J  
K  
L  
M  
N  
O  
P  
Q  
R  
S  
T  
U  
V  
W  
X  
Y

A  
B  
C  
D  
E  
F  
G  
H  
I  
J  
K  
L  
M  
N  
O  
P  
Q  
R  
S  
T  
U  
V  
W  
X  
Y

**BERENSON™**

**Europa Collection**

Material: Zinc with Crystal



A



B



C



D



E

	Item #	Size	Finish
A	BER7031-907	1-3/16" Dia.	Gold Base w/Transparent Crystal
B	BER7032-926	1-3/16" Dia.	Polished Chrome Base w/Transparent Crystal
C	BER7038-926	1-3/16" Dia.	Polished Chrome Base w/Transparent Crystal

	Item #	Size	Finish
D	BER7041-907	1-3/16" Dia.	Gold Base w/Transparent Crystal
E	BER7042-926	1-3/16" Dia.	Polished Chrome Base w/Transparent Crystal

**Fluidic Collection**

Material: Zinc



	Item #	Size	Finish
A	BER9441-1055	1-3/16" Length Knob	Black
B	BER9479-1026	1-3/16" Length Knob	Polished Chrome
C	BER9480-1BPN	1-3/16" Length Knob	Brushed Nickel
D	BER9439-1055	96mm c/c Pull	Black
E	BER9475-1026	96mm c/c Pull	Polished Chrome

	Item #	Size	Finish
F	BER9476-1BPN	96mm c/c Pull	Brushed Nickel
G	BER9440-1055	128mm c/c Pull	Black
H	BER9477-1026	128mm c/c Pull	Polished Chrome
I	BER9478-1BPN	128mm c/c Pull	Brushed Nickel

**BERENSON™**

**Forte Collection**

Material: Zinc



	Item #	Size	Finish
A	BER8285-1BPN	31mm Diameter Knob	Brushed Nickel
B	BER8286-1VB	31mm Diameter Knob	Verona Bronze
C	BER8287-1ORB	31mm Diameter Knob	Oil Rubbed Bronze
D	BER8288-1WN	31mm Diameter Knob	Weathered Nickel
E	BER8279-1BPN	42mm Diameter Knob	Brushed Nickel
F	BER8280-1VB	42mm Diameter Knob	Verona Bronze
G	BER8281-1ORB	42mm Diameter Knob	Oil Rubbed Bronze
H	BER8282-1WN	42mm Diameter Knob	Weathered Nickel
I	BER8272-1RGZ	4" c/c Pull	Rust Glaze
J	BER8273-1BPN	4" c/c Pull	Brushed Nickel

	Item #	Size	Finish
K	BER8274-1VB	4" c/c Pull	Verona Bronze
L	BER8276-1WN	4" c/c Pull	Weathered Nickel
M	BER8267-1BPN	6" c/c Pull	Brushed Nickel
N	BER8268-1VB	6" c/c Pull	Verona Bronze
O	BER8269-1ORB	6" c/c Pull	Oil Rubbed Bronze
P	BER8270-1WN	6" c/c Pull	Weathered Nickel
Q	BER8297-1BPN	18" c/c Pull	Brushed Nickel
R	BER8298-1VB	18" c/c Pull	Verona Bronze
S	BER8299-1ORB	18" c/c Pull	Oil Rubbed Bronze
T	BER8300-1WN	18" c/c Pull	Weathered Nickel

A  
B  
C  
D  
E  
F  
G  
H  
I  
J  
K  
L  
M  
N  
O  
P  
Q  
R  
S  
T  
U  
V  
W  
X  
Y

**BERENSON™**

**Harmony Collection**

Material: Zinc



	Item #	Size	Finish
A	BER9460-10WN	1-3/16" Square Knob	Weathered Nickel
B	BER9461-10VB	1-3/16" Square Knob	Verona Bronze
C	BER9462-1BPN	1-3/16" Square Knob	Brushed Nickel
D	BER9580-1VTN	1-3/16" Square Knob	Vintage Nickel
E	BER9436-10WN	3" c/c Pull	Weathered Nickel
F	BER9437-10VB	3" c/c Pull	Verona Bronze
G	BER9438-1BPN	3" c/c Pull	Brushed Nickel
H	BER9576-1VTN	3" c/c Pull	Vintage Nickel
I	BER9442-10WN	96mm c/c Pull	Weathered Nickel
J	BER9443-10VB	96mm c/c Pull	Verona Bronze

	Item #	Size	Finish
K	BER9444-1BPN	96mm c/c Pull	Brushed Nickel
L	BER9577-1VTN	96mm c/c Pull	Vintage Nickel
M	BER9448-10WN	128mm c/c Pull	Weathered Nickel
N	BER9449-10VB	128mm c/c Pull	Verona Bronze
O	BER9450-1BPN	128mm c/c Pull	Brushed Nickel
P	BER9578-1VTN	128mm c/c Pull	Vintage Nickel
Q	BER9454-10WN	160mm c/c Pull	Weathered Nickel
R	BER9455-10VB	160mm c/c Pull	Verona Bronze
S	BER9456-1BPN	160mm c/c Pull	Brushed Nickel
T	BER9579-1VTN	160mm c/c Pull	Vintage Nickel

**BERENSON™**

**Hearthstone Collection**

Material: Zinc



Item #	Size	Finish	
A	BER2034-10VB	12" c/c Pull	Verona Bronze
B	BER2035-1BPN	12" c/c Pull	Brushed Nickel
C	BER2037-1WVB	12" c/c Pull	Weather Verona Bronze
D	BER2038-1055	12" c/c Pull	Matte Black
E	BER2039-10VB	128mm c/c Pull	Verona Bronze
F	BER2040-1BPN	128mm c/c Pull	Brushed Nickel
G	BER2042-1WVB	128mm c/c Pull	Weather Verona Bronze
H	BER2043-1055	128mm c/c Pull	Matte Black
I	BER2044-10VB	160mm c/c Pull	Verona Bronze
J	BER2045-1BPN	160mm c/c Pull	Brushed Nickel
K	BER2047-1WVB	160mm c/c Pull	Weather Verona Bronze
L	BER2048-1055	160mm c/c Pull	Matte Black
M	BER4063-10VB	3" c/c Pull	Verona Bronze
N	BER4064-1BPN	3" c/c Pull	Brushed Nickel

Item #	Size	Finish	
O	BER4067-1WVB	3" c/c Pull	Weather Verona Bronze
P	BER4068-1055	3" c/c Pull	Matte Black
Q	BER4069-10VB	96mm c/c Pull	Verona Bronze
R	BER4070-1BPN	96mm c/c Pull	Brushed Nickel
S	BER4073-1WVB	96mm c/c Pull	Weather Verona Bronze
T	BER4074-1055	96mm c/c Pull	Matte Black
U	BER4075-10VB	6" c/c Pull	Verona Bronze
V	BER4076-1BPN	6" c/c Pull	Brushed Nickel
W	BER4079-1WVB	6" c/c Pull	Weather Verona Bronze
X	BER4080-1055	6" c/c Pull	Matte Black
Y	BER4081-10VB	1-9/16" x 1-1/8" Knob	Verona Bronze
Z	BER4083-1BPN	1-9/16" x 1-1/8" Knob	Brushed Nickel
AA	BER4085-1WVB	1-9/16" x 1-1/8" Knob	Weather Verona Bronze
BB	BER4086-1055	1-9/16" x 1-1/8" Knob	Matte Black

A  
B  
C  
D  
E  
F  
G  
H  
I  
J  
K  
L  
M  
N  
O  
P  
Q  
R  
S  
T  
U  
V  
W  
X  
Y

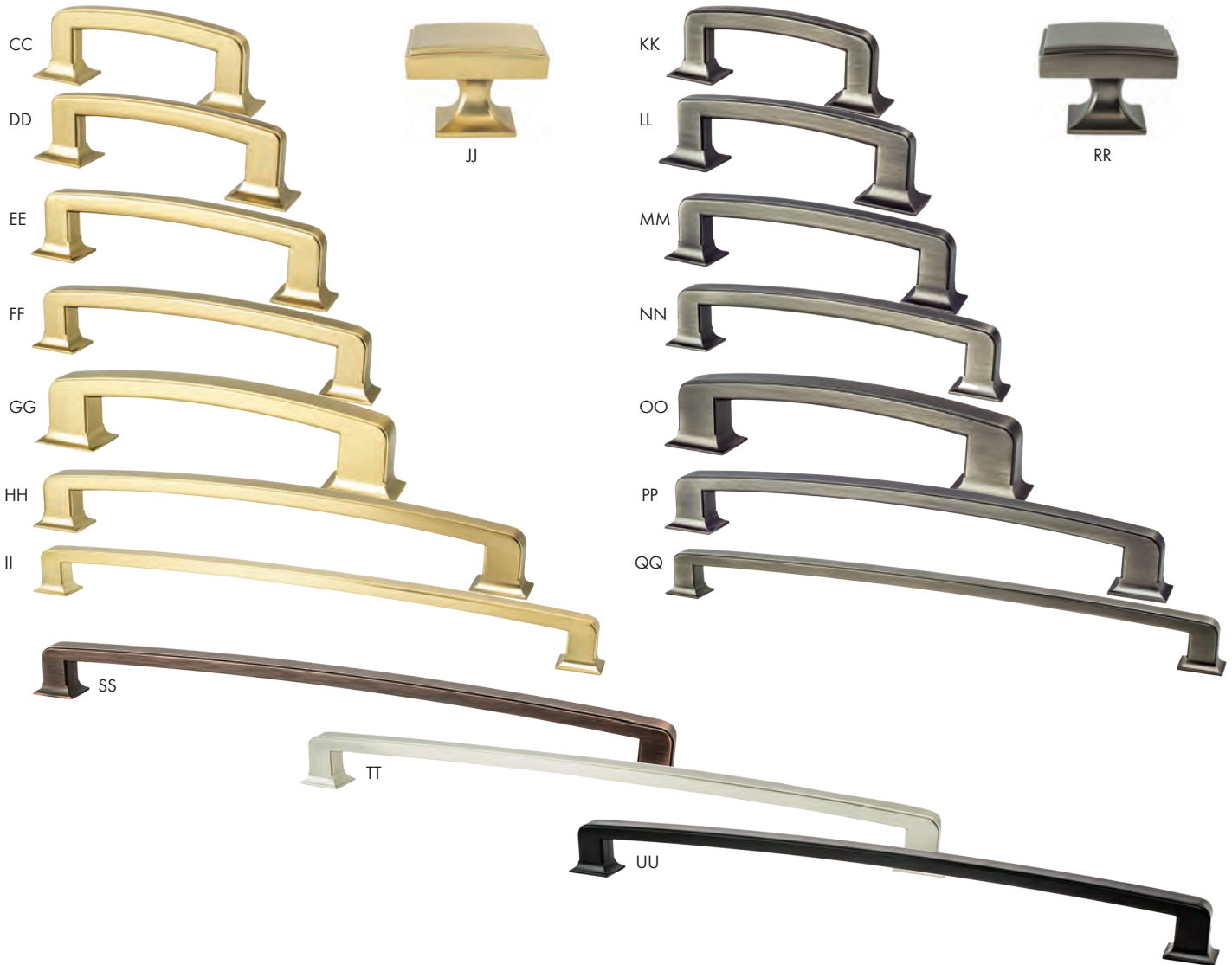
A  
B  
C  
D  
E  
F  
G  
H  
I  
J  
K  
L  
M  
N  
O  
P  
Q  
R  
S  
T  
U  
V  
W  
X  
Y

**BERENSON™**

**Hearthstone Collection - continued**



Material: Zinc



	Item #	Size	Finish
CC	BER2151-1MDB	3" c/c	Modern Brushed Gold
DD	BER2152-1MDB	96mm c/c	Modern Brushed Gold
EE	BER2153-1MDB	128mm c/c	Modern Brushed Gold
FF	BER2154-1MDB	160mm c/c	Modern Brushed Gold
GG	BER2155-1MDB	6" c/c	Modern Brushed Gold
HH	BER2156-1MDB	12" c/c	Modern Brushed Gold
II	BER2157-1MDB	18" c/c	Modern Brushed Gold
JJ	BER2158-1MDB	1-9/16" Length	Modern Brushed Gold
KK	BER2159-1VTN	3" c/c	Vintage Nickel
LL	BER2160-1VTN	96mm c/c	Vintage Nickel

	Item #	Size	Finish
MM	BER2161-1VTN	128mm	Vintage Nickel
NN	BER2162-1VTN	160mm	Vintage Nickel
OO	BER2163-1VTN	6" c/c	Vintage Nickel
PP	BER2164-1VTN	12" c/c	Vintage Nickel
QQ	BER2165-1VTN	18" c/c	Vintage Nickel
RR	BER2166-1VTN	1-9/16" Length	Vintage Nickel
SS	BER2167-10VB	18" c/c	Verona Bronze
TT	BER2168-1BPN	18" c/c	Brushed Nickel
UU	BER2169-1055	18" c/c	Matte Black



**BERENSON™**

**Hillcrest Collection**

Material: Zinc



	Item #	Size	Finish
A	BER2049-1BPN	96mm c/c Pull	Brushed Nickel
B	BER2068-10VB	96mm c/c Pull	Verona Bronze
C	BER2069-1BPN	128mm c/c Pull	Brushed Nickel
D	BER2070-10VB	128mm c/c Pull	Verona Bronze

	Item #	Size	Finish
E	BER2071-1BPN	160mm c/c Pull	Brushed Nickel
F	BER2072-10VB	160mm c/c Pull	Verona Bronze
G	BER2073-1BPN	256mm c/c Pull	Brushed Nickel
H	BER2074-10VB	256mm c/c Pull	Verona Bronze

- A
- B
- C
- D
- E
- F
- G
- H
- I
- J
- K
- L
- M
- N
- O
- P
- Q
- R
- S
- T
- U
- V
- W
- X
- Y

A  
B  
C  
D  
E  
F  
G  
H  
I  
J  
K  
L  
M  
N  
O  
P  
Q  
R  
S  
T  
U  
V  
W  
X  
Y

**BERENSON™**

**Laura Collection**

Material: Zinc



	Item #	Size	Finish
A	BER4088-1BPN	1-7/16" Length Knob	Brushed Nickel
B	BER4090-1026	1-7/16" Length Knob	Polished Chrome
C	BER9818-1MDB	1-7/16" Length Knob	Modern Bronze
D	BER9827-1VTN	1-7/16" Length Knob	Vintage Nickel
E	BER4072-1BPN	96mm c/c Pull	Brushed Nickel
F	BER4084-1026	96mm c/c Pull	Polished Chrome
G	BER9814-1MDB	96mm c/c Pull	Modern Bronze
H	BER9821-1VTN	96mm c/c Pull	Vintage Nickel
I	BER4077-1BPN	128mm c/c Pull	Brushed Nickel
J	BER4087-1026	128mm c/c Pull	Polished Chrome

	Item #	Size	Finish
K	BER9815-1MDB	128mm c/c Pull	Modern Bronze
L	BER9822-1VTN	128mm c/c Pull	Vintage Nickel
M	BER9812-1BPN	160mm c/c Pull	Brushed Nickel
N	BER9816-1MDB	160mm c/c Pull	Modern Bronze
O	BER9819-1026	160mm c/c Pull	Polished Chrome
P	BER9823-1VTN	160mm c/c Pull	Vintage Nickel
Q	BER9813-1BPN	224mm c/c Pull	Brushed Nickel
R	BER9817-1MDB	224mm c/c Pull	Modern Bronze
S	BER9820-1026	224mm c/c Pull	Polished Chrome
T	BER9824-1VTN	224mm c/c Pull	Vintage Nickel

**BERENSON™**

**Maestro Collection**

Material: Zinc



	Item #	Size	Finish
A	BER7174-1015	96mm c/c	Satin Nickel
B	BER7175-10RT	96mm c/c	Rustic Tin
C	BER7176-1010	96mm c/c	Rubbed Bronze
D	BER7177-10VB	96mm c/c	Verona Bronze
E	BER7178-1015	128mm c/c	Satin Nickel
F	BER7179-10RT	128mm c/c	Rustic Tin

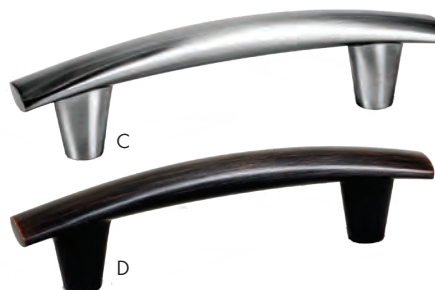
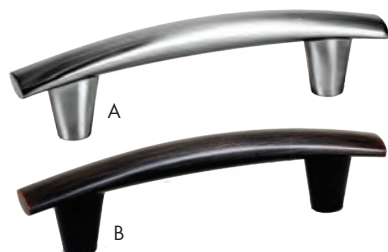
	Item #	Size	Finish
G	BER7180-1010	128mm c/c	Rubbed Bronze
H	BER7181-10VB	128mm c/c	Verona Bronze
I	BER7182-1015	1-3/8" Dia.	Satin Nickel
J	BER7183-10RT	1-3/8" Dia.	Rustic Tin
K	BER7184-1010	1-3/8" Dia.	Rubbed Bronze
L	BER7185-10VB	1-3/8" Dia.	Verona Bronze

A  
B  
C  
D  
E  
F  
G  
H  
I  
J  
K  
L  
M  
N  
O  
P  
Q  
R  
S  
T  
U  
V  
W  
X  
Y

**A BERENSON™**

**Meadow Collection**

Material: Aluminum



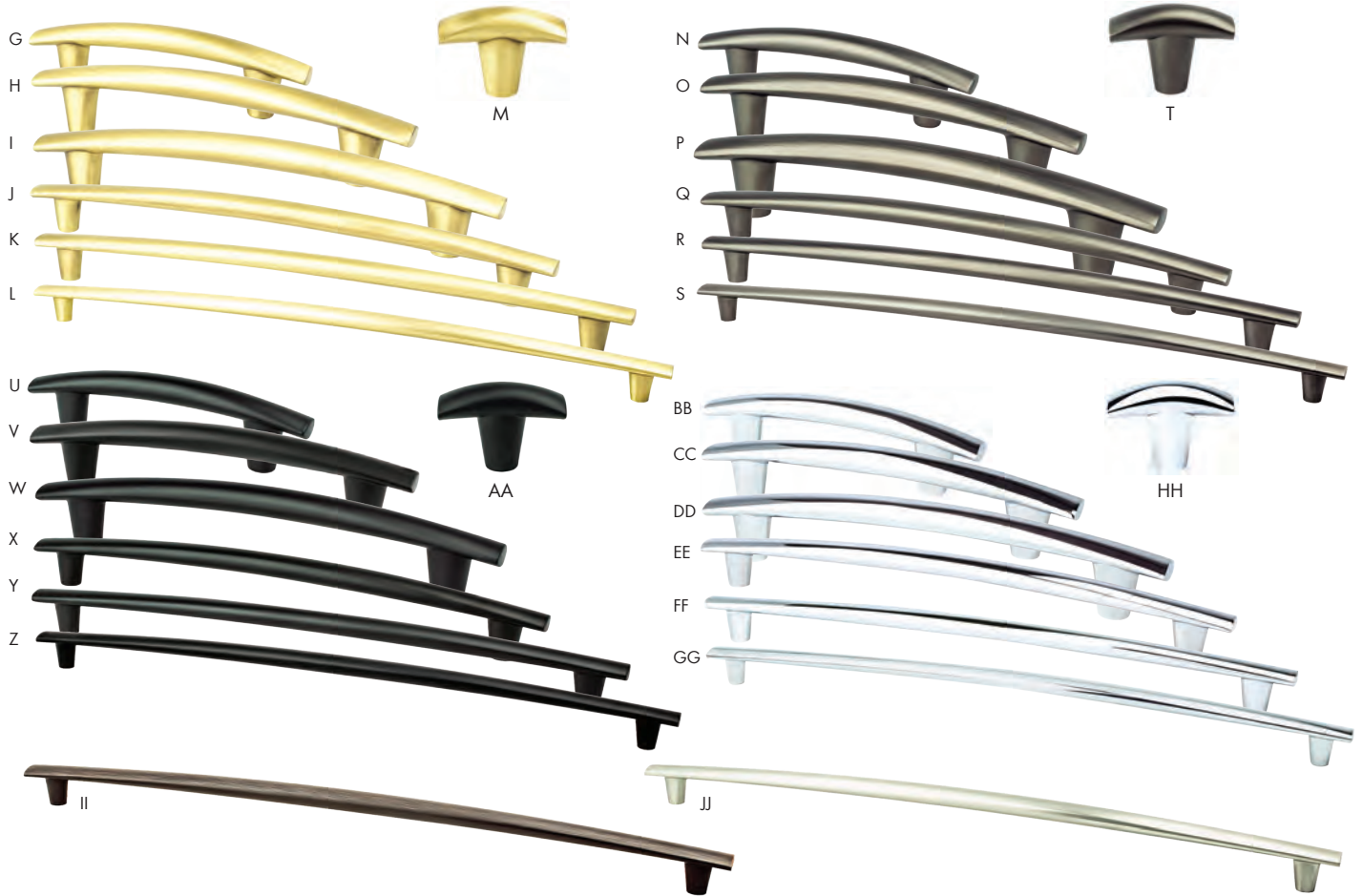
	Item #	Size	Finish
A	BER2097-4BPN	96mm c/c Pull	Brushed Nickel
B	BER2098-40VB	96mm c/c Pull	Verona Bronze
C	BER2099-4BPN	128mm c/c Pull	Brushed Nickel
D	BER2303-40VB	128mm c/c Pull	Verona Bronze
E	BER2304-4BPN	160mm c/c Pull	Brushed Nickel
F	BER2305-40VB	160mm c/c Pull	Verona Bronze

	Item #	Size	Finish
G	BER2306-4BPN	256mm c/c Pull	Brushed Nickel
H	BER2307-40VB	256mm c/c Pull	Verona Bronze
I	BER2308-4BPN	320mm c/c Pull	Brushed Nickel
J	BER2309-40VB	320mm c/c Pull	Verona Bronze
K	BER2310-1BPN	1-3/4" X 11/16" Knob	Brushed Nickel
L	BER2311-10VB	1-3/4" X 11/16" Knob	Verona Bronze

**BERENSON™**

**Meadow Collection - continued**

Material: Aluminum



	Item #	Size	Finish
G	BER2273-40SG	96mm c/c	Satin Gold
H	BER2274-40SG	128mm c/c	Satin Gold
I	BER2275-40SG	160mm c/c	Satin Gold
J	BER2276-40SG	256mm c/c	Satin Gold
K	BER2277-40SG	320mm c/c	Satin Gold
L	BER2278-40SG	448mm c/c	Satin Gold
M	BER2279-40SG	1-3/4" Length	Satin Gold
N	BER2280-4GPH	96mm c/c	Graphite
O	BER2281-4GPH	128mm c/c	Graphite
P	BER2282-4GPH	160mm c/c	Graphite
Q	BER2283-4GPH	256mm c/c	Graphite
R	BER2284-4GPH	320mm c/c	Graphite
S	BER2285-4GPH	448mm c/c	Graphite
T	BER2286-4GPH	1-3/4" Length	Graphite
U	BER2287-4055	96mm c/c	Matte Black

	Item #	Size	Finish
V	BER2288-4055	128mm c/c	Matte Black
W	BER2289-4055	160mm c/c	Matte Black
X	BER2290-4055	256mm c/c	Matte Black
Y	BER2291-4055	320mm c/c	Matte Black
Z	BER2292-4055	448mm c/c	Matte Black
AA	BER2293-4055	1-3/4" Length	Matte Black
BB	BER2294-4026	96mm c/c	Polished Chrome
CC	BER2295-4026	128mm c/c	Polished Chrome
DD	BER2296-4026	160mm c/c	Polished Chrome
EE	BER2297-4026	256mm c/c	Polished Chrome
FF	BER2298-4026	320mm c/c	Polished Chrome
GG	BER2299-4026	448mm c/c	Polished Chrome
HH	BER2300-4026	1-3/4" Length	Polished Chrome
II	BER2301-40VB	448mm c/c	Verona Bronze
JJ	BER2302-4BPN	448mm c/c	Brushed Nickel

A  
B  
C  
D  
E  
F  
G  
H  
I  
J  
K  
L  
M  
N  
O  
P  
Q  
R  
S  
T  
U  
V  
W  
X  
Y

**BERENSON™**

**Metro Collection**

Material: Zinc



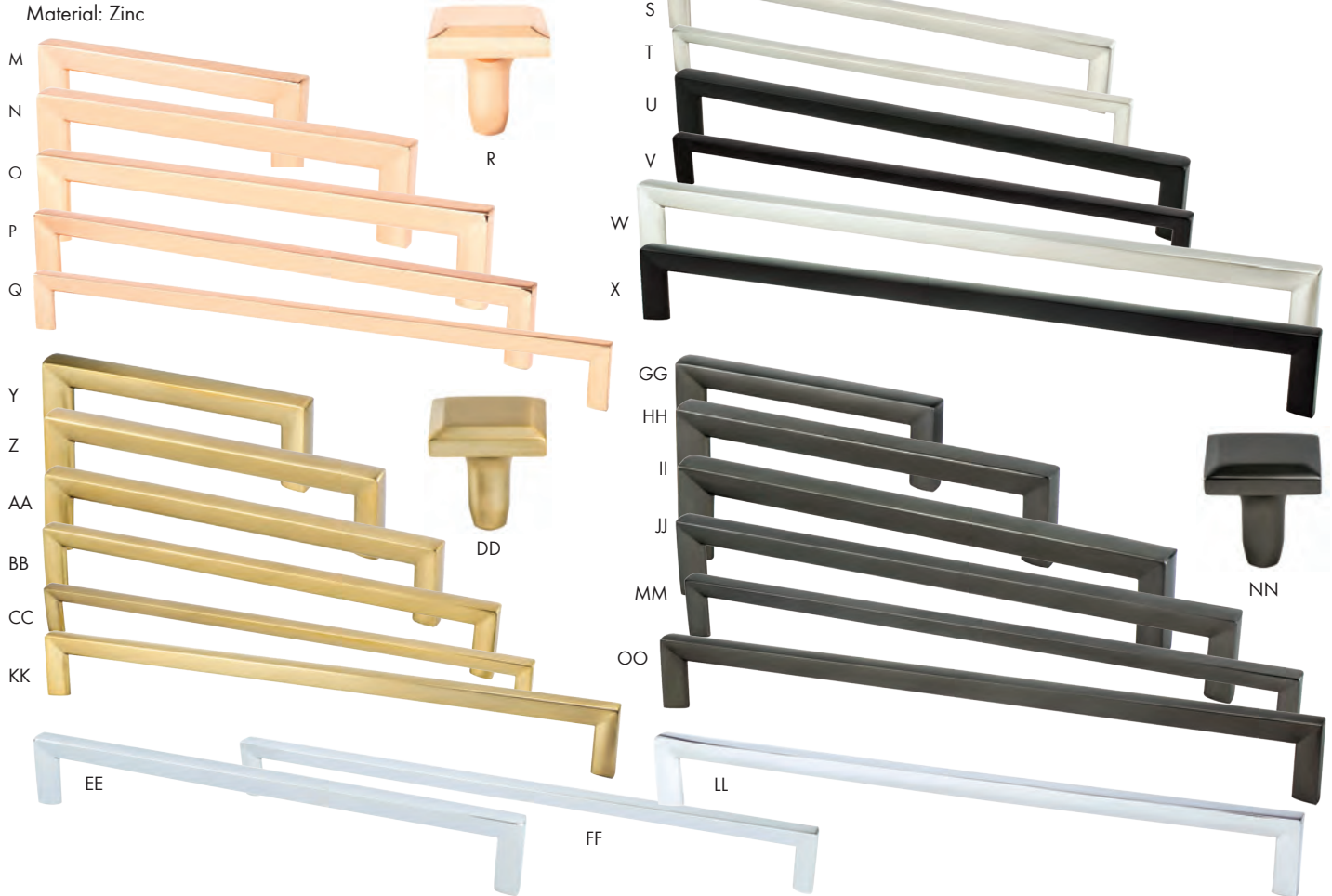
	Item #	Size	Finish
A	BER4108-1BPN	96mm c/c Pull	Brushed Nickel
B	BER4109-1026	96mm c/c Pull	Polished Chrome
C	BER4111-1055	96mm c/c Pull	Matte Black
D	BER4113-1BPN	128mm c/c Pull	Brushed Nickel
E	BER4114-1026	128mm c/c Pull	Polished Chrome
F	BER4116-1055	128mm c/c Pull	Matte Black

	Item #	Size	Finish
G	BER4118-1BPN	160mm c/c Pull	Brushed Nickel
H	BER4119-1026	160mm c/c Pull	Polished Chrome
I	BER4121-1055	160mm c/c Pull	Matte Black
J	BER4122-1BPN	1-3/16" x 1-3/16" Knob	Brushed Nickel
K	BER4124-1026	1-3/16" x 1-3/16" Knob	Polished Chrome
L	BER4126-1055	1-3/16" x 1-3/16" Knob	Matte Black

**BERENSON™**

**Metro Collection - continued**

Material: Zinc



	Item #	Size	Finish
M	BER4180-10PC	96mm c/c	Polished Copper
N	BER4181-10PC	128mm c/c	Polished Copper
O	BER4182-10PC	160mm c/c	Polished Copper
P	BER4183-10PC	224mm c/c	Polished Copper
Q	BER4184-10PC	320mm c/c	Polished Copper
R	BER4185-10PC	1-3/16" Sq.	Polished Copper
S	BER9828-1BPN	224mm c/c	Brushed Nickel
T	BER9857-1BPN	320mm c/c	Brushed Nickel
U	BER9858-1055	224mm c/c	Matte Black
V	BER9859-1055	320mm c/c	Matte Black
W	BER9860-1BPN	18" c/c	Brushed Nickel
X	BER9861-1055	18" c/c	Matte Black
Y	BER9897-1MDB	96mm c/c	Modern Brushed Gold
Z	BER9898-1MDB	128mm c/c	Modern Brushed Gold
AA	BER9899-1MDB	160mm c/c	Modern Brushed Gold

	Item #	Size	Finish
BB	BER9901-1MDB	224mm c/c	Modern Brushed Gold
CC	BER9902-1MDB	320mm c/c	Modern Brushed Gold
DD	BER9903-1MDB	1-3/16" Sq.	Modern Brushed Gold
EE	BER9904-1026	224mm c/c	Polished Chrome
FF	BER9905-1026	320mm c/c	Polished Chrome
GG	BER9906-1SLT	96mm c/c	Slate
HH	BER9907-1SLT	128mm c/c	Slate
II	BER9908-1SLT	160mm c/c	Slate
JJ	BER9909-1SLT	224mm c/c	Slate
KK	BER9912-1MDB	18" c/c	Modern Brushed Gold
LL	BER9916-1026	18" c/c	Polished Chrome
MM	BER9970-1SLT	320mm c/c	Slate
NN	BER9971-1SLT	1-3/16" Sq.	Slate
OO	BER9973-1SLT	18" c/c	Slate

A  
B  
C  
D  
E  
F  
G  
H  
I  
J  
K  
L  
M  
N  
O  
P  
Q  
R  
S  
T  
U  
V  
W  
X  
Y

A  
B  
C  
D  
E  
F  
G  
H  
I  
J  
K  
L  
M  
N  
O  
P  
Q  
R  
S  
T  
U  
V  
W  
X  
Y

**BERENSON™**

**Oasis Collection**

Material: Zinc



	Item #	Size	Finish
A	BER9254-1ORB	1-1/4" Diameter Knob	Oil Rubbed Bronze
B	BER9255-1BPN	1-1/4" Diameter Knob	Brushed Nickel
C	BER9256-1OBT	1-1/4" Diameter Knob	Brushed Tin
D	BER9245-1ORB	96mm c/c Pull	Oil Rubbed Bronze
E	BER9246-1BPN	96mm c/c Pull	Brushed Nickel
F	BER9247-1OBT	96mm c/c Pull	Brushed Tin

	Item #	Size	Finish
G	BER9248-1ORB	128mm c/c Pull	Oil Rubbed Bronze
H	BER9249-1BPN	128mm c/c Pull	Brushed Nickel
I	BER9250-1OBT	128mm c/c Pull	Brushed Tin
J	BER9251-1ORB	160mm c/c Pull	Oil Rubbed Bronze
K	BER9252-1BPN	160mm c/c Pull	Brushed Nickel
L	BER9253-1OBT	160mm c/c Pull	Brushed Tin



**BERENSON™**

**Opus Collection**

Material: Zinc



	Item #	Size	Finish
A	BER7170-1015	1-3/8" Length Knob	Satin Nickel
B	BER7171-10RT	1-3/8" Length Knob	Rustic Tin
C	BER7172-1010	1-3/8" Length Knob	Rubbed Bronze
D	BER7173-10VB	1-3/8" Length Knob	Verona Bronze
E	BER7147-1015	96mm c/c Pull	Satin Nickel
F	BER7148-10RT	96mm c/c Pull	Rustic Tin
G	BER7149-1010	96mm c/c Pull	Rubbed Bronze
H	BER7150-10VB	96mm c/c Pull	Verona Bronze

	Item #	Size	Finish
I	BER7151-1015	128mm c/c Pull	Satin Nickel
J	BER7152-10RT	128mm c/c Pull	Rustic Tin
K	BER7153-1010	128mm c/c Pull	Rubbed Bronze
L	BER7154-10VB	128mm c/c Pull	Verona Bronze
M	BER7155-1015	416mm c/c Pull	Satin Nickel
N	BER7157-1010	416mm c/c Pull	Rubbed Bronze
O	BER7158-10VB	416mm c/c Pull	Verona Bronze

A  
B  
C  
D  
E  
F  
G  
H  
I  
J  
K  
L  
M  
N  
O  
P  
Q  
R  
S  
T  
U  
V  
W  
X  
Y

**BERENSON™**

**Puritan Collection**

Material: Zinc



	Item #	Size	Finish
A	BER9481-1BPN	96mm c/c	Brushed Nickel
B	BER9482-10VB	96mm c/c	Verona Bronze
C	BER9483-10BT	96mm c/c	Brushed Tin
D	BER9484-1BPN	128mm c/c	Brushed Nickel
E	BER9485-10VB	128mm c/c	Verona Bronze
F	BER9486-10BT	128mm c/c	Brushed Tin
G	BER9487-1BPN	3" c/c	Brushed Nickel
H	BER9488-10VB	3" c/c	Verona Bronze

	Item #	Size	Finish
I	BER9489-10BT	3" c/c	Brushed Tin
J	BER9490-1BPN	1-5/16" Length	Brushed Nickel
K	BER9491-10VB	1-5/16" Length	Verona Bronze
L	BER9492-10BT	1-5/16" Length	Brushed Tin
M	BER9572-1014	96mm c/c	Polished Nickel
N	BER9573-1014	128mm c/c	Polished Nickel
O	BER9574-1014	3" c/c	Polished Nickel
P	BER9575-1014	1-5/16" Length	Polished Nickel

**BERENSON™**

**Rhapsody Collection**

Material: Zinc



	Item #	Size	Finish
A	BER3040-155	128mm c/c	Black
B	BER3041-1LWI	128mm c/c	Weathered Iron
C	BER3042-1WN	128mm c/c	Weathered Nickel
D	BER3043-155	96mm c/c	Black
E	BER3044-1LWI	96mm c/c	Weathered Iron
F	BER3045-1WN	96mm c/c	Weathered Nickel
G	BER3046-155	2-1/2" Length	Black
H	BER3047-1LWI	2-1/2" Length	Weathered Iron
I	BER3048-1WN	2-1/2" Length	Weathered Nickel

	Item #	Size	Finish
J	BER3049-155	1-3/16" Sq.	Black
K	BER3050-1LWI	1-3/16" Sq.	Weathered Iron
L	BER3051-1WN	1-3/16" Sq.	Weathered Nickel
M	BER3052-155	1-5/16" Dia.	Black
N	BER3053-1LWI	1-5/16" Dia.	Weathered Iron
O	BER3054-1WN	1-5/16" Dia.	Weathered Nickel
P	BER3055-155	1-1/4" Dia.	Black
Q	BER3057-1WN	1-1/4" Dia.	Weathered Nickel

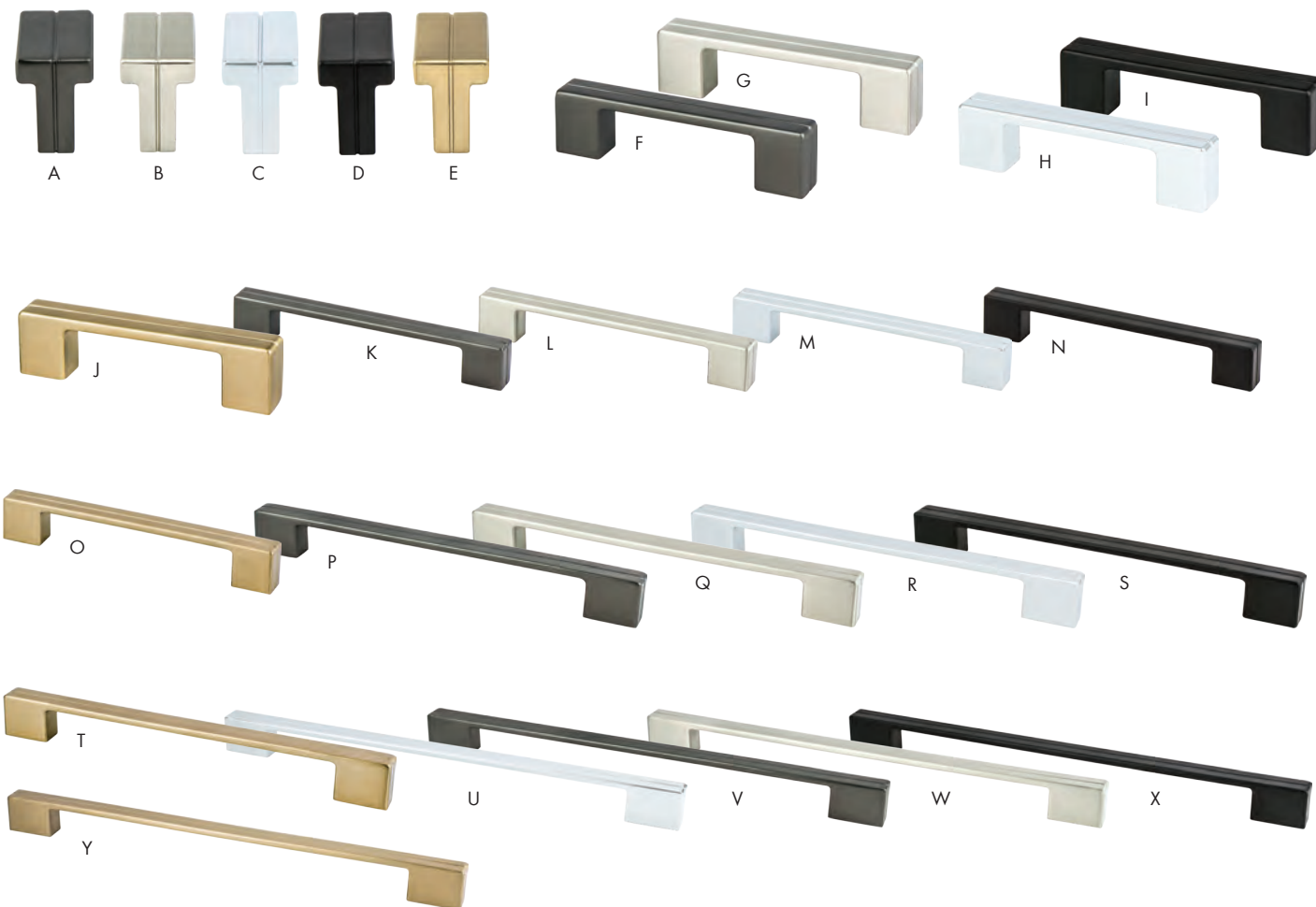
A  
B  
C  
D  
E  
F  
G  
H  
I  
J  
K  
L  
M  
N  
O  
P  
Q  
R  
S  
T  
U  
V  
W  
X  
Y

A  
B  
C  
D  
E  
F  
G  
H  
I  
J  
K  
L  
M  
N  
O  
P  
Q  
R  
S  
T  
U  
V  
W  
X  
Y

**BERENSON™**

**Skyline Collection**

Material: Zinc



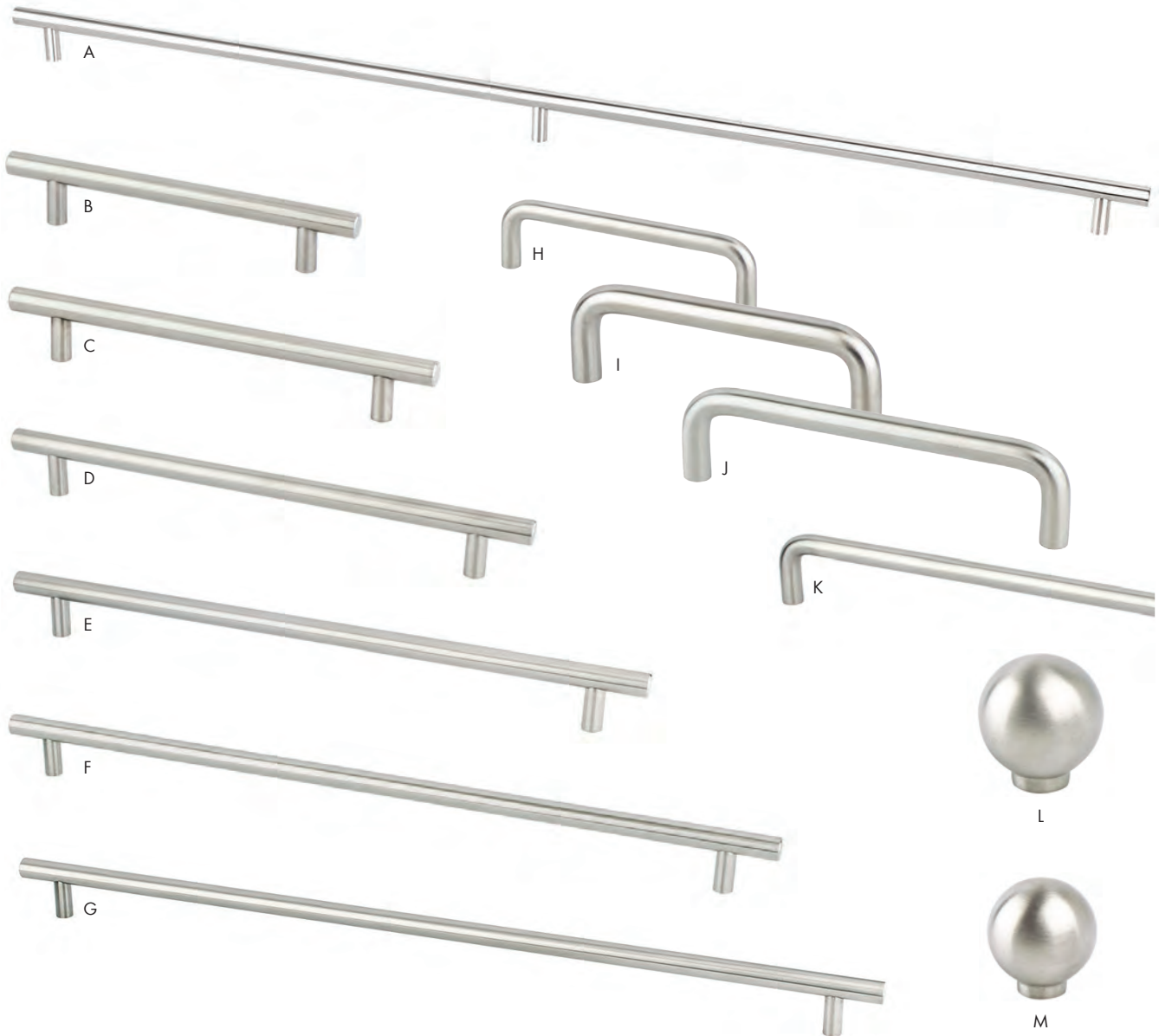
	Item #	Size	Finish
A	BER1125-1SLT	1-3/8" Length Knob	Slate
B	BER9209-1BPN	1-3/8" Length Knob	Brushed Nickel
C	BER9210-1026	1-3/8" Length Knob	Polished Chrome
D	BER9211-1055	1-3/8" Length Knob	Matte Black
E	BER9995-1MDB	1-3/8" Length Knob	Modern Brushed Gold
F	BER1121-1SLT	3" and 96mm c/c Pull	Slate
G	BER9200-1BPN	3" and 96mm c/c Pull	Brushed Nickel
H	BER9201-1026	3" and 96mm c/c Pull	Polished Chrome
I	BER9202-1055	3" and 96mm c/c Pull	Matte Black
J	BER9976-1MDB	3" and 96mm c/c Pull	Modern Brushed Gold
K	BER1122-1SLT	160mm c/c Pull	Slate
L	BER9203-1BPN	160mm c/c Pull	Brushed Nickel
M	BER9204-1026	160mm c/c Pull	Polished Chrome

	Item #	Size	Finish
N	BER9205-1055	160mm c/c Pull	Matte Black
O	BER9977-1MDB	160mm c/c Pull	Modern Brushed Gold
P	BER1123-1SLT	224mm c/c Pull	Slate
Q	BER9206-1BPN	224mm c/c Pull	Brushed Nickel
R	BER9207-1026	224mm c/c Pull	Polished Chrome
S	BER9208-1055	224mm c/c Pull	Matte Black
T	BER9978-1MDB	224mm c/c Pull	Modern Brushed Gold
U	BER1120-1026	320mm c/c Pull	Polished Chrome
V	BER1124-1SLT	320mm c/c Pull	Slate
W	BER9974-1BPN	320mm c/c Pull	Brushed Nickel
X	BER9975-1055	320mm c/c Pull	Matte Black
Y	BER9993-1MDB	320mm c/c Pull	Modern Brushed Gold

**BERENSON™**

**Stainless Steel Collection**

Material: Stainless Steel



	Item #	Size	Finish
A	BER7067-9SS	672mm c/c	Stainless Steel
B	BER7068-9SS	128mm c/c	Stainless Steel
C	BER7069-9SS	160mm c/c	Stainless Steel
D	BER7070-9SS	224mm c/c	Stainless Steel
E	BER7071-9SS	288mm c/c	Stainless Steel
F	BER7072-9SS	384mm c/c	Stainless Steel
G	BER7073-9SS	448mm c/c	Stainless Steel

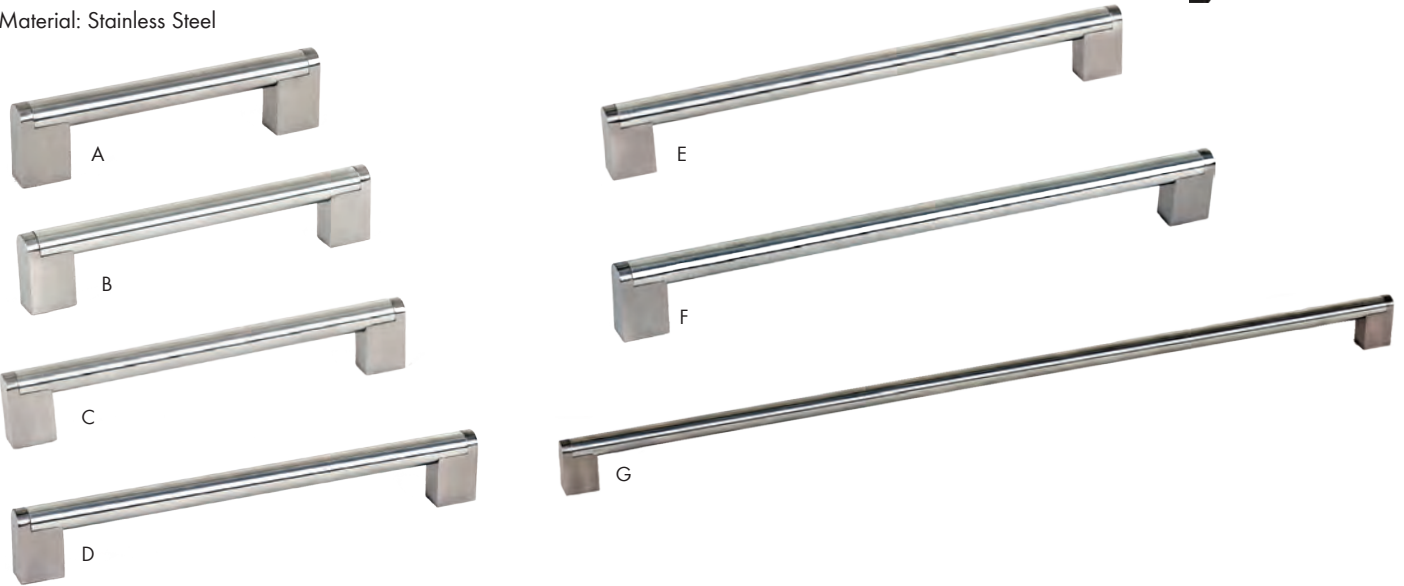
	Item #	Size	Finish
H	BER7074-9SS	96mm c/c	Stainless Steel
I	BER7075-9SS	96mm c/c	Stainless Steel
J	BER7076-9SS	128mm c/c	Stainless Steel
K	BER7077-9SS	288mm c/c	Stainless Steel
L	BER7078-9SS	1-3/16" Dia.	Stainless Steel
M	BER7079-9SS	1" Dia.	Stainless Steel

A  
B  
C  
D  
E  
F  
G  
H  
I  
J  
K  
L  
M  
N  
O  
P  
Q  
R  
S  
T  
U  
V  
W  
X  
Y

**BERENSON™**

**Studio Collection**

Material: Stainless Steel



	Item #	Size	Finish
A	BER2021-90SS	128mm c/c Pull	Stainless Steel
B	BER2022-90SS	160mm c/c Pull	Stainless Steel
C	BER2023-90SS	192mm c/c Pull	Stainless Steel
D	BER2024-90SS	224mm c/c Pull	Stainless Steel

	Item #	Size	Finish
E	BER2025-90SS	256mm c/c Pull	Stainless Steel
F	BER2026-90SS	288mm c/c Pull	Stainless Steel
G	BER2027-90SS	576mm c/c Pull	Stainless Steel

**Visit us on our website: [wurthlac.com](http://wurthlac.com)**



Enter search criteria here

Shopping Cart \$0.00

Shop By Category

Home

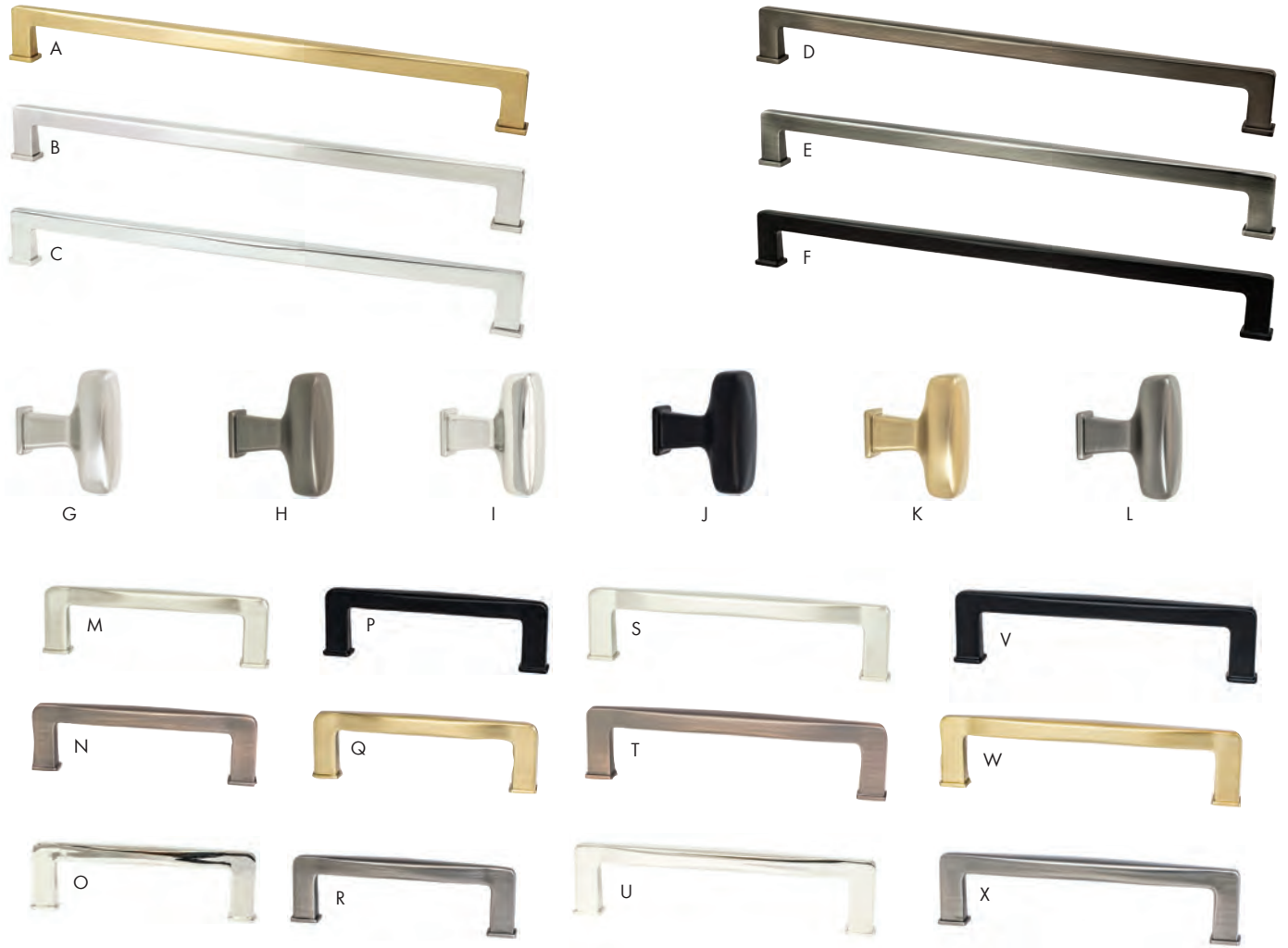
**LEAVE THE DUST  
BEHIND WITH  
3M XTRACT™  
ABRASIVES!**



**BERENSON™**

**Subtle Surge Collection**

Material: Zinc



	Item #	Size	Finish
A	BER1114-1MDB	18" c/c	Modern Brushed Gold
B	BER1115-1BPN	18" c/c	Brushed Nickel
C	BER1116-1014	18" c/c	Polished Nickel
D	BER1117-10VB	18" c/c	Verona Bronze
E	BER1118-1VTN	18" c/c	Vintage Nickel
F	BER1119-1055	18" c/c	Matte Black
G	BER1236-1BPN	1-9/16" Length	Brushed Nickel
H	BER1237-10VB	1-9/16" Length	Verona Bronze
I	BER1238-1014	1-9/16" Length	Polished Nickel
J	BER1239-1055	1-9/16" Length	Matte Black
K	BER1240-1MDB	1-9/16" Length	Modern Brushed Gold
L	BER1241-1VTN	1-9/16" Length	Vintage Nickel

	Item #	Size	Finish
M	BER1242-1BPN	96mm c/c	Brushed Nickel
N	BER1243-10VB	96mm c/c	Verona Bronze
O	BER1244-1014	96mm c/c	Polished Nickel
P	BER1245-1055	96mm c/c	Matte Black
Q	BER1246-1MDB	96mm c/c	Modern Brushed Gold
R	BER1247-1VTN	96mm c/c	Vintage Nickel
S	BER1248-1BPN	128mm c/c	Brushed Nickel
T	BER1249-10VB	128mm c/c	Verona Bronze
U	BER1250-1014	128mm c/c	Polished Nickel
V	BER1251-1055	128mm c/c	Matte Black
W	BER1252-1MDB	128mm c/c	Modern Brushed Gold
X	BER1253-1VTN	128mm c/c	Vintage Nickel

A  
B  
C  
D  
E  
F  
G  
H  
I  
J  
K  
L  
M  
N  
O  
P  
Q  
R  
S  
T  
U  
V  
W  
X  
Y

A  
B  
C  
D  
E  
F  
G  
H  
I  
J  
K  
L  
M  
N  
O  
P  
Q  
R  
S  
T  
U  
V  
W  
X  
Y

**BERENSON™**

**Subtle Surge Collection - continued**



Material: Zinc



	Item #	Size	Finish
Y	BER1254-1BPN	160mm c/c	Brushed Nickel
Z	BER1255-10VB	160mm c/c	Verona Bronze
AA	BER1256-1014	160mm c/c	Polished Nickel
BB	BER1257-1055	160mm c/c	Matte Black
CC	BER1258-1MDB	160mm c/c	Modern Brushed Gold
DD	BER1259-1VTN	160mm c/c	Vintage Nickel
EE	BER1260-1BPN	224mm c/c	Brushed Nickel
FF	BER1261-10VB	224mm c/c	Verona Bronze
GG	BER1262-1014	224mm c/c	Polished Nickel

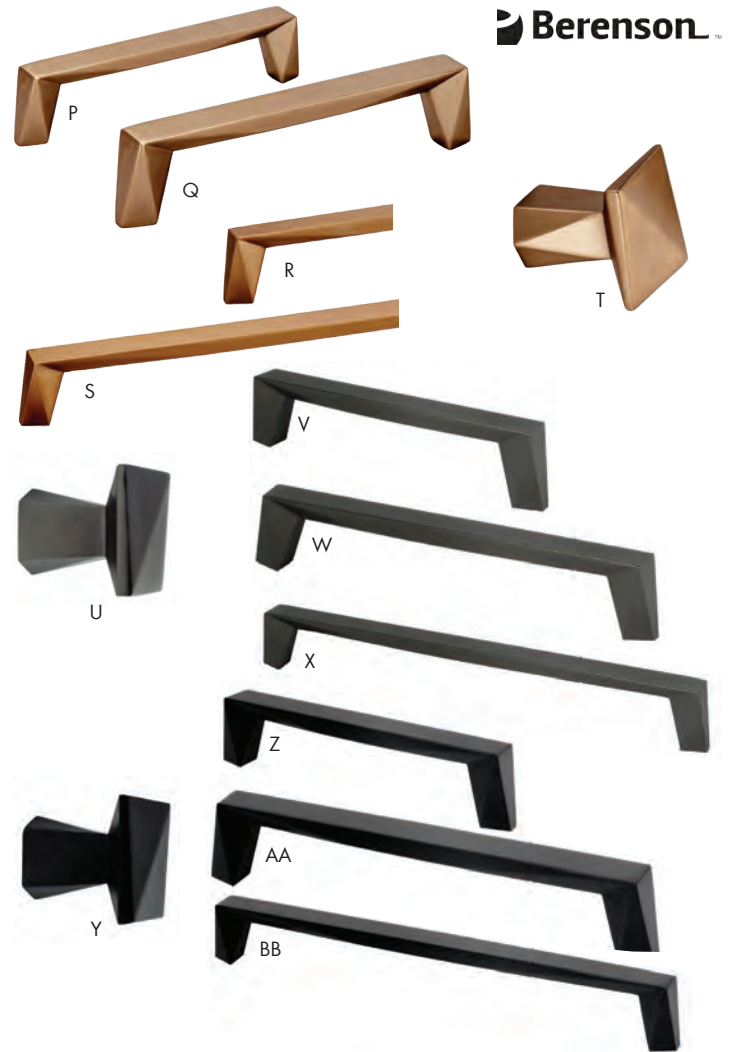
	Item #	Size	Finish
HH	BER1263-1055	224mm c/c	Matte Black
II	BER1264-1MDB	224mm c/c	Modern Brushed Gold
JJ	BER1265-1VTN	224mm c/c	Vintage Nickel
KK	BER1266-1BPN	12" c/c	Brushed Nickel
LL	BER1267-10VB	12" c/c	Verona Bronze
MM	BER1268-1014	12" c/c	Polished Nickel
NN	BER1269-1055	12" c/c	Matte Black
OO	BER1270-1MDB	12" c/c	Modern Brushed Gold
PP	BER1271-1VTN	12" c/c	Vintage Nickel



**BERENSON™**

**Swagger Collection**

Material: Zinc



**Berenson™**

A  
B  
C  
D  
E  
F  
G  
H  
I  
J  
K  
L  
M  
N  
O  
P  
Q  
R  
S  
T  
U  
V  
W  
X  
Y

	Item #	Size	Finish
A	BER2312-1BPN	128mm c/c Pull	Brushed Nickel
B	BER2313-1026	128mm c/c Pull	Polished Chrome
C	BER2314-1098	128mm c/c Pull	Black Nickel
D	BER2315-1BPN	160mm c/c Pull	Brushed Nickel
E	BER2316-1026	160mm c/c Pull	Polished Chrome
F	BER2317-1098	160mm c/c Pull	Black Nickel
G	BER2318-1BPN	224mm c/c Pull	Brushed Nickel
H	BER2319-1026	224mm c/c Pull	Polished Chrome
I	BER2320-1098	224mm c/c Pull	Black Nickel
J	BER2321-1BPN	320mm c/c Pull	Brushed Nickel
K	BER2322-1026	320mm c/c Pull	Polished Chrome
L	BER2323-1098	320mm c/c Pull	Black Nickel
M	BER2324-1BPN	1-3/16" x 1-3/16" Knob	Brushed Nickel
N	BER2325-1026	1-3/16" x 1-3/16" Knob	Polished Chrome

	Item #	Size	Finish
O	BER2326-1098	1-3/16" x 1-3/16" Knob	Black Nickel
P	BER2364-1MDB	128mm c/c Pull	Modern Brushed Gold
Q	BER2365-1MDB	160mm c/c Pull	Modern Brushed Gold
R	BER2366-1MDB	224mm c/c Pull	Modern Brushed Gold
S	BER2367-1MDB	320mm c/c Pull	Modern Brushed Gold
T	BER2368-1MDB	1-3/16" x 1-3/16" Knob	Modern Brushed Gold
U	BER2389-1SLT	1-3/16" Sq.	Slate
V	BER2391-1SLT	128mm c/c	Slate
W	BER2392-1SLT	160mm c/c	Slate
X	BER2393-1SLT	224mm c/c	Slate
Y	BER2394-1055	1-3/16" Sq.	Matte Black
Z	BER2396-1055	128mm c/c	Matte Black
AA	BER2397-1055	160mm c/c	Matte Black
BB	BER2398-1055	224mm c/c	Matte Black

A  
B  
C  
D  
E  
F  
G  
H  
I  
J  
K  
L  
M  
N  
O  
P  
Q  
R  
S  
T  
U  
V  
W  
X  
Y

**BERENSON™**

**Tailored Traditions Collection**

Material: Zinc



	Item #	Size	Finish
A	BER1272-1BPN	1-1/4" Square Knob	Brushed Nickel
B	BER1273-10VB	1-1/4" Square Knob	Verona Bronze
C	BER1274-1014	1-1/4" Square Knob	Polished Nickel
D	BER1275-1055	1-1/4" Square Knob	Matte Black
E	BER1276-1MDB	1-1/4" Square Knob	Modern Brushed Gold
F	BER1277-1VTN	1-1/4" Square Knob	Vintage Nickel
G	BER1278-1BPN	96mm c/c Pull	Brushed Nickel
H	BER1279-10VB	96mm c/c Pull	Verona Bronze
I	BER1280-1014	96mm c/c Pull	Polished Nickel
J	BER1281-1055	96mm c/c Pull	Matte Black

	Item #	Size	Finish
K	BER1282-1MDB	96mm c/c Pull	Modern Brushed Gold
L	BER1283-1VTN	96mm c/c Pull	Vintage Nickel
M	BER1284-1BPN	128mm c/c Pull	Brushed Nickel
N	BER1285-10VB	128mm c/c Pull	Verona Bronze
O	BER1286-1014	128mm c/c Pull	Polished Nickel
P	BER1287-1055	128mm c/c Pull	Matte Black
Q	BER1288-1MDB	128mm c/c Pull	Modern Brushed Gold
R	BER1289-1VTN	128mm c/c Pull	Vintage Nickel

**BERENSON™**

**Tailored Traditions Collection - continued**

Material: Zinc



	Item #	Size	Finish
S	BER1290-1BPN	160mm c/c Pull	Brushed Nickel
T	BER1291-10VB	160mm c/c Pull	Verona Bronze
U	BER1292-1014	160mm c/c Pull	Polished Nickel
V	BER1293-1055	160mm c/c Pull	Matte Black
W	BER1294-1MDB	160mm c/c Pull	Modern Brushed Gold
X	BER1295-1VTN	160mm c/c Pull	Vintage Nickel
Y	BER1296-1BPN	224mm c/c Pull	Brushed Nickel
Z	BER1297-10VB	224mm c/c Pull	Verona Bronze
AA	BER1298-1014	224mm c/c Pull	Polished Nickel

	Item #	Size	Finish
BB	BER1299-1055	224mm c/c Pull	Matte Black
CC	BER1300-1MDB	224mm c/c Pull	Modern Brushed Gold
DD	BER1301-1VTN	224mm c/c Pull	Vintage Nickel
EE	BER1302-1BPN	12" c/c Pull	Brushed Nickel
FF	BER1303-10VB	12" c/c Pull	Verona Bronze
GG	BER1304-1014	12" c/c Pull	Polished Nickel
HH	BER1305-1055	12" c/c Pull	Matte Black
II	BER1306-1MDB	12" c/c Pull	Modern Brushed Gold
JJ	BER1307-1VTN	12" c/c Pull	Vintage Nickel

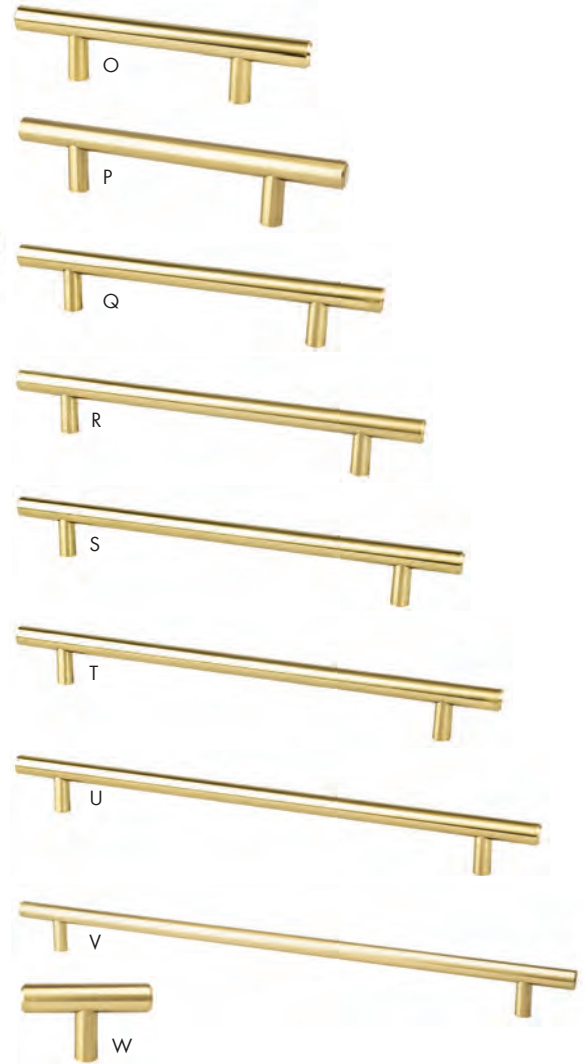
A  
B  
C  
D  
E  
F  
G  
H  
I  
J  
K  
L  
M  
N  
O  
P  
Q  
R  
S  
T  
U  
V  
W  
X  
Y

A  
B  
C  
D  
E  
F  
G  
H  
I  
J  
K  
L  
M  
N  
O  
P  
Q  
R  
S  
T  
U  
V  
W  
X  
Y

**BERENSON™**

**Tempo Collection**

Material: Steel



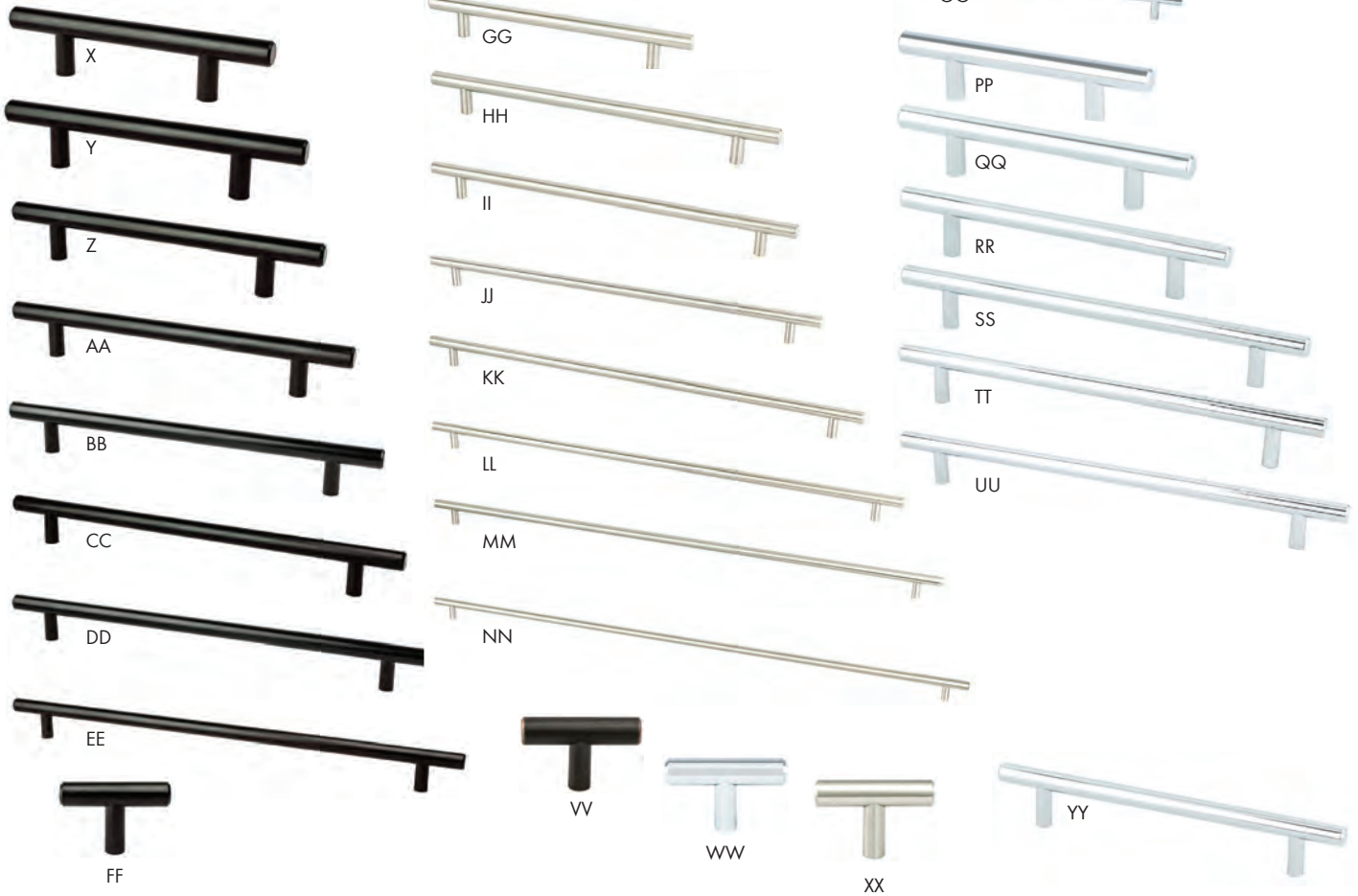
	Item #	Size	Finish
A	BER0800-2BPN	3" c/c	Brushed Nickel
B	BER0801-20VB	3" c/c	Verona Bronze
C	BER0802-2BPN	96mm c/c	Brushed Nickel
D	BER0803-20VB	96mm c/c	Verona Bronze
E	BER0804-2BPN	128mm c/c	Brushed Nickel
F	BER0805-20VB	128mm c/c	Verona Bronze
G	BER0806-2BPN	192mm c/c	Brushed Nickel
H	BER0807-20VB	192mm c/c	Verona Bronze
I	BER0808-2BPN	256mm c/c	Brushed Nickel
J	BER0809-20VB	256mm c/c	Verona Bronze
K	BER0810-2BPN	320mm c/c	Brushed Nickel
L	BER0811-20VB	320mm c/c	Verona Bronze

	Item #	Size	Finish
M	BER0812-20VB	160mm c/c	Verona Bronze
N	BER0813-20VB	224mm c/c	Verona Bronze
O	BER0820-2MDB	3" c/c	Modern Brushed Gold
P	BER0821-2MDB	96mm c/c	Modern Brushed Gold
Q	BER0822-2MDB	128mm c/c	Modern Brushed Gold
R	BER0823-2MDB	160mm c/c	Modern Brushed Gold
S	BER0824-2MDB	192mm c/c	Modern Brushed Gold
T	BER0825-2MDB	224mm c/c	Modern Brushed Gold
U	BER0826-2MDB	256mm c/c	Modern Brushed Gold
V	BER0828-2MDB	320mm c/c	Modern Brushed Gold
W	BER0829-2MDB	2" Length	Modern Brushed Gold

**BERENSON™**

**Tempo Collection - continued**

Material: Steel



	Item #	Size	Finish
X	BER0830-2055	3" c/c	Black
Y	BER0831-2055	96mm c/c	Black
Z	BER0832-2055	128mm c/c	Black
AA	BER0833-2055	160mm c/c	Black
BB	BER0834-2055	192mm c/c	Black
CC	BER0835-2055	224mm c/c	Black
DD	BER0836-2055	256mm c/c	Black
EE	BER0838-2055	320mm c/c	Black
FF	BER0839-2055	2" Length	Black
GG	BER1126-2BPN	160mm c/c	Brushed Nickel
HH	BER1127-2BPN	224mm c/c	Brushed Nickel
II	BER1128-2BPN	288mm c/c	Brushed Nickel
JJ	BER1129-2BPN	384mm c/c	Brushed Nickel
KK	BER1130-2BPN	448mm c/c	Brushed Nickel

	Item #	Size	Finish
LL	BER1131-2BPN	544mm c/c	Brushed Nickel
MM	BER1132-2BPN	640mm c/c	Brushed Nickel
NN	BER1133-2BPN	768mm c/c	Brushed Nickel
OO	BER2006-2026	320mm c/c	Polished Chrome
PP	BER2012-2026	3" c/c	Polished Chrome
QQ	BER2013-2026	96mm c/c	Polished Chrome
RR	BER2014-2026	128mm c/c	Polished Chrome
SS	BER2015-2026	192mm c/c	Polished Chrome
TT	BER2016-2026	224mm c/c	Polished Chrome
UU	BER2017-2026	256mm c/c	Polished Chrome
VV	BER2018-20VB	2" Length	Verona Bronze
WW	BER2019-2026	2" Length	Polished Chrome
XX	BER2020-2BPN	2" Length	Brushed Nickel
YY	BER2028-2026	160mm c/c	Polished Chrome

A  
B  
C  
D  
E  
F  
G  
H  
I  
J  
K  
L  
M  
N  
O  
P  
Q  
R  
S  
T  
U  
V  
W  
X  
Y

A  
B  
C  
D  
E  
F  
G  
H  
I  
J  
K  
L  
M  
N  
O  
P  
Q  
R  
S  
T  
U  
V  
W  
X  
Y

**BERENSON™**

**Traditional Advantage 1 Collection**



Material: Zinc



	Item #	Size	Finish
A	BER0912-10CZ	1-1/8" Dia.	Champagne
B	BER0913-1BPN	1-1/8" Dia.	Brushed Nickel
C	BER1738-1BPN	3" c/c	Brushed Nickel
D	BER1756-1BPN	1-1/8" Dia.	Brushed Nickel
E	BER1786-1BPN	3" c/c	Brushed Nickel
F	BER9021-1055	1-1/8" Dia.	Matte Black
G	BER9196-1055	3" c/c	Matte Black
H	BER9197-1055	3" c/c	Matte Black
I	BER9198-10CZ	3" c/c	Champagne
J	BER9199-10CZ	3" c/c	Champagne

	Item #	Size	Finish
K	BER9336-10VB	1-1/8" Dia.	Verona Bronze
L	BER9337-10WN	1-1/8" Dia.	Weathered Nickel
M	BER9338-10VB	1-1/8" Dia.	Verona Bronze
N	BER9339-10WN	1-1/8" Dia.	Weathered Nickel
O	BER9341-1055	1-1/8" Dia.	Matte Black
P	BER9342-10VB	3" c/c	Verona Bronze
Q	BER9343-10WN	3" c/c	Weathered Nickel
R	BER9344-10VB	3" c/c	Verona Bronze
S	BER9345-10WN	3" c/c	Weathered Nickel
T	BER9347-10CZ	1-1/8" Dia.	Champagne

**BERENSON™**

**Traditional Advantage 2 Collection**

Material: Zinc



	Item #	Size	Finish
A	BER1744-1BPN	3" c/c	Brushed Nickel
B	BER9186-1055	3" c/c	Matte Black
C	BER9187-10CZ	3" c/c	Champagne
D	BER9188-10CZ	3" c/c	Champagne
E	BER9189-1055	3" c/c	Matte Black
F	BER9190-10CZ	1-3/16" Dia.	Champagne
G	BER9193-1055	1-3/16" Dia.	Matte Black
H	BER9346-10VB	3" c/c	Verona Bronze

	Item #	Size	Finish
I	BER9350-10WN	3" c/c	Weathered Nickel
J	BER9374-10VB	1-3/16" Dia.	Verona Bronze
K	BER9375-1BPN	1-3/16" Dia.	Brushed Nickel
L	BER9376-10WN	1-3/16" Dia.	Weathered Nickel
M	BER9377-10VB	3" c/c	Verona Bronze
N	BER9378-1BPN	3" c/c	Brushed Nickel
O	BER9379-10WN	3" c/c	Weathered Nickel

A  
B  
C  
D  
E  
F  
G  
H  
I  
J  
K  
L  
M  
N  
O  
P  
Q  
R  
S  
T  
U  
V  
W  
X  
Y

A  
B  
C  
D  
E  
F  
G  
H  
I  
J  
K  
L  
M  
N  
O  
P  
Q  
R  
S  
T  
U  
V  
W  
X  
Y

**BERENSON™**

**Traditional Advantage 3 Collection**

Material: Zinc



	Item #	Size	Finish
A	BER9169-10CZ	1-1/4" Dia.	Champagne
B	BER9170-1055	1-1/4" Dia.	Matte Black
C	BER9191-10CZ	3" c/c	Champagne
D	BER9192-10CZ	96mm c/c	Champagne
E	BER9194-1055	3" c/c	Matte Black
F	BER9195-1055	96mm c/c	Matte Black
G	BER9380-10VB	1-1/4" Dia.	Verona Bronze
H	BER9381-1BPN	1-1/4" Dia.	Brushed Nickel

	Item #	Size	Finish
I	BER9382-10WN	1-1/4" Dia.	Weathered Nickel
J	BER9383-10VB	96mm c/c	Verona Bronze
K	BER9384-1BPN	96mm c/c	Brushed Nickel
L	BER9385-10WN	96mm c/c	Weathered Nickel
M	BER9386-10VB	3" c/c	Verona Bronze
N	BER9387-1BPN	3" c/c	Brushed Nickel
O	BER9388-10WN	3" c/c	Weathered Nickel



**BERENSON™**

**Traditional Advantage 4 Collection**

Material: Zinc



	Item #	Size	Finish
A	BER0924-1BPN	3" c/c	Brushed Nickel
B	BER0925-1BPN	1-1/8" Dia.	Brushed Nickel
C	BER0931-1BPN	1-5/16" Dia.	Brushed Nickel
D	BER0935-155	1-5/16" Dia.	Matte Black
E	BER9130-10CZ	3" c/c	Champagne
F	BER9131-10CZ	1-5/16" Dia.	Champagne
G	BER9132-1055	1-1/8" Dia.	Matte Black
H	BER9133-10CZ	1-1/8" Dia.	Champagne
I	BER9134-1055	3" c/c	Matte Black
J	BER9135-10CZ	3" c/c	Champagne

	Item #	Size	Finish
K	BER9351-10VB	1-1/8" Dia.	Verona Bronze
L	BER9352-10WN	1-1/8" Dia.	Weathered Nickel
M	BER9353-10VB	3" c/c	Verona Bronze
N	BER9354-10WN	3" c/c	Weathered Nickel
O	BER9365-10VB	1-5/16" Dia.	Verona Bronze
P	BER9366-10WN	1-5/16" Dia.	Weathered Nickel
Q	BER9367-10VB	3" c/c	Verona Bronze
R	BER9368-1BPN	3" c/c	Brushed Nickel
S	BER9369-10WN	3" c/c	Weathered Nickel
T	BER9370-1055	3" c/c	Matte Black

A  
B  
C  
D  
E  
F  
G  
H  
I  
J  
K  
L  
M  
N  
O  
P  
Q  
R  
S  
T  
U  
V  
W  
X  
Y

A  
B  
C  
D  
E  
F  
G  
H  
I  
J  
K  
L  
M  
N  
O  
P  
Q  
R  
S  
T  
U  
V  
W  
X  
Y

**BERENSON™**

**Transitional Advantage 1 Collection**



Material: Zinc



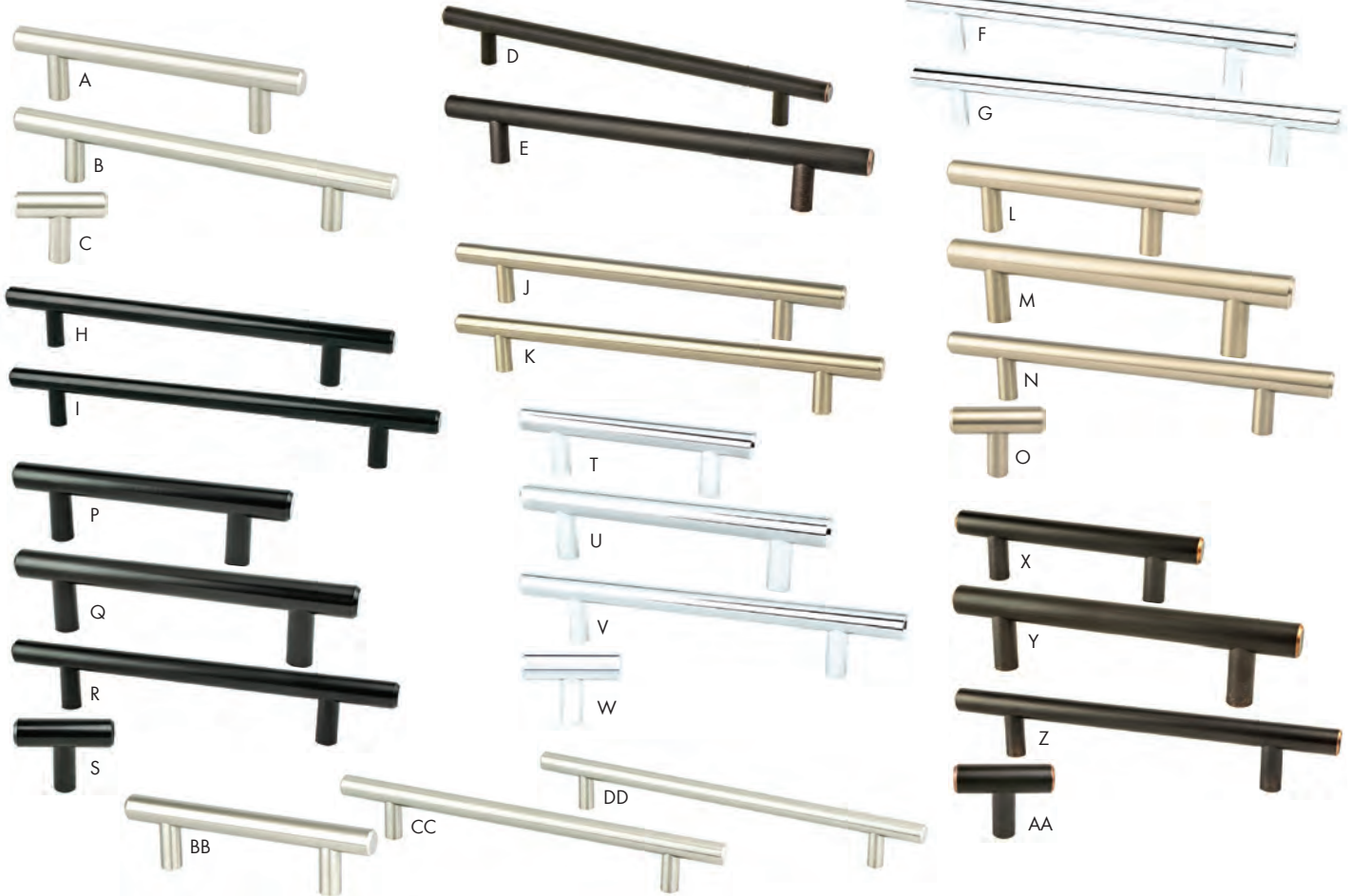
	Item #	Size	Finish
A	BER9171-1BPN	96mm c/c	Brushed Nickel
B	BER9172-1026	96mm c/c	Polished Chrome
C	BER9173-1055	96mm c/c	Matte Black
D	BER9174-10CZ	96mm c/c	Champagne
E	BER9175-10VB	96mm c/c	Verona Bronze
F	BER9176-1BPN	128mm c/c	Brushed Nickel
G	BER9177-1026	128mm c/c	Polished Chrome
H	BER9178-1055	128mm c/c	Matte Black

	Item #	Size	Finish
I	BER9179-10CZ	128mm c/c	Champagne
J	BER9180-10VB	128mm c/c	Verona Bronze
K	BER9181-1BPN	1-7/16" Length	Brushed Nickel
L	BER9182-1026	1-7/16" Length	Polished Chrome
M	BER9183-1055	1-7/16" Length	Matte Black
N	BER9184-10CZ	1-7/16" Length	Champagne
O	BER9185-10VB	1-7/16" Length	Verona Bronze

**BERENSON™**

**Transitional Advantage 2 Collection**

Material: Zinc



	Item #	Size	Finish
A	BER9401-2BPN	96mm c/c	Brushed Nickel
B	BER9402-2BPN	128mm c/c	Brushed Nickel
C	BER9435-2BPN	1-9/16" Length	Brushed Nickel
D	BER9517-20VB	160mm c/c	Verona Bronze
E	BER9518-20VB	192mm c/c	Verona Bronze
F	BER9519-2026	160mm c/c	Polished Chrome
G	BER9520-2026	192mm c/c	Polished Chrome
H	BER9521-2055	160mm c/c	Black
I	BER9522-2055	192mm c/c	Black
J	BER9523-20CZ	160mm c/c	Champagne
K	BER9524-20CZ	192mm c/c	Champagne
L	BER9540-20CZ	3" c/c	Champagne
M	BER9541-20CZ	96mm c/c	Champagne
N	BER9542-20CZ	128mm c/c	Champagne
O	BER9543-20CZ	1-9/16" Length	Champagne

	Item #	Size	Finish
P	BER9544-2055	3" c/c	Black
Q	BER9545-2055	96mm c/c	Black
R	BER9546-2055	128mm c/c	Black
S	BER9547-2055	1-9/16" Length	Black
T	BER9548-2026	3" c/c	Polished Chrome
U	BER9549-2026	96mm c/c	Polished Chrome
V	BER9550-2026	128mm c/c	Polished Chrome
W	BER9551-2026	1-9/16" Length	Polished Chrome
X	BER9552-20VB	3" c/c	Verona Bronze
Y	BER9553-20VB	96mm c/c	Verona Bronze
Z	BER9554-20VB	128mm c/c	Verona Bronze
AA	BER9555-20VB	1-9/16" Length	Verona Bronze
BB	BER9557-2BPN	3" c/c	Brushed Nickel
CC	BER9559-2BPN	160mm c/c	Brushed Nickel
DD	BER9561-2BPN	192mm c/c	Brushed Nickel

A  
B  
C  
D  
E  
F  
G  
H  
I  
J  
K  
L  
M  
N  
O  
P  
Q  
R  
S  
T  
U  
V  
W  
X  
Y

**BERENSON™**

**Transitional Advantage 3 Collection**



Material: Zinc



	Item #	Size	Finish
A	BER0919-126	1-1/8" Length	Polished Chrome
B	BER0920-1BPN	1-1/8" Length	Brushed Nickel
C	BER0930-1055	1-1/8" Length	Matte Black
D	BER0961-126	64mm c/c	Polished Chrome
E	BER0963-1BPN	64mm c/c	Brushed Nickel
F	BER0967-155	64mm c/c	Matte Black
G	BER0991-126	96mm c/c	Polished Chrome
H	BER0992-1BPN	96mm c/c	Brushed Nickel
I	BER9136-10CZ	64mm c/c	Champagne

	Item #	Size	Finish
J	BER9137-10CZ	1-1/8" Length	Champagne
K	BER9138-10CZ	96mm c/c	Champagne
L	BER9357-10VB	96mm c/c	Verona Bronze
M	BER9358-10WN	96mm c/c	Weathered Nickel
N	BER9359-1055	96mm c/c	Matte Black
O	BER9360-10VB	64mm c/c	Verona Bronze
P	BER9361-10WN	64mm c/c	Weathered Nickel
Q	BER9362-10VB	1-1/8" Length	Verona Bronze
R	BER9363-10WN	1-1/8" Length	Weathered Nickel

**BERENSON™**

**Valencia Collection**

Material: Zinc



	Item #	Size	Finish
A	BER8089-155	1-1/4" Diameter Knob	Black
B	BER7014-1BBZ	1-3/16" Diameter Knob	Bronze
C	BER7021-1BPN	1-3/16" Diameter Knob	Brushed Nickel
D	BER7022-126	1-3/16" Diameter Knob	Polished Chrome
E	BER7023-155	1-3/16" Diameter Knob	Black
F	BER7006-1BPN	1-3/8" Diameter Knob	Brushed Nickel
G	BER7007-126	1-3/8" Diameter Knob	Polished Chrome

	Item #	Size	Finish
H	BER7009-1BBZ	1-3/8" Diameter Knob	Bronze
I	BER7001-1BPN	96mm c/c Pull	Brushed Nickel
J	BER7002-126	96mm c/c Pull	Polished Chrome
K	BER7004-1BBZ	96mm c/c Pull	Bronze
L	BER7016-1BPN	96mm c/c Pull	Brushed Nickel
M	BER7017-126	96mm c/c Pull	Polished Chrome
N	BER7018-155	96mm c/c Pull	Black

A  
B  
C  
D  
E  
F  
G  
H  
I  
J  
K  
L  
M  
N  
O  
P  
Q  
R  
S  
T  
U  
V  
W  
X  
Y

A  
B  
C  
D  
E  
F  
G  
H  
I  
J  
K  
L  
M  
N  
O  
P  
Q  
R  
S  
T  
U  
V  
W  
X  
Y

**BERENSON™**

**Vested Interest Collection**



Material: Zinc



	Item #	Size	Finish
A	BER2337-1BPN	1-1/4" Diameter Knob	Brushed Nickel
B	BER2338-10VB	1-1/4" Diameter Knob	Verona Bronze
C	BER2374-1VTN	1-1/4" Diameter Knob	Vintage Nickel
D	BER2327-1BPN	96mm c/c Pull	Brushed Nickel
E	BER2328-10VB	96mm c/c Pull	Verona Bronze
F	BER2369-1VTN	96mm c/c Pull	Vintage Nickel
G	BER2329-1BPN	128mm c/c Pull	Brushed Nickel
H	BER2330-10VB	128mm c/c Pull	Verona Bronze
I	BER2370-1VTN	128mm c/c Pull	Vintage Nickel

	Item #	Size	Finish
J	BER2331-1BPN	160mm c/c Pull	Brushed Nickel
K	BER2332-10VB	160mm c/c Pull	Verona Bronze
L	BER2371-1VTN	160mm c/c Pull	Vintage Nickel
M	BER2333-1BPN	224mm c/c Pull	Brushed Nickel
N	BER2334-10VB	224mm c/c Pull	Verona Bronze
O	BER2372-1VTN	224mm c/c Pull	Vintage Nickel
P	BER2335-1BPN	12" c/c Pull	Brushed Nickel
Q	BER2336-10VB	12" c/c Pull	Verona Bronze
R	BER2373-1VTN	12" c/c Pull	Vintage Nickel

**BERENSON™**

**Vibrato Collection**

Material: Zinc



	Item #	Size	Finish
A	BER7899-1VB	1-1/4" Diameter Knob	Verona Bronze
B	BER7906-1VB	1-11/16" Length Knob	Verona Bronze
C	BER7895-1VB	1-3/16" Diameter Knob	Verona Bronze
D	BER7878-1VB	1-5/16" Length Oval Knob	Verona Bronze
E	BER7897-1VB	1-7/16" Length Knob	Verona Bronze
F	BER7898-1VB	3" c/c Pull	Verona Bronze
G	BER7900-1VB	3" c/c Pull	Verona Bronze

	Item #	Size	Finish
H	BER7901-1VB	3" c/c Pull	Verona Bronze
I	BER7886-1VB	64mm c/c Cup Pull	Verona Bronze
J	BER7876-1VB	3" c/c Cup Pull	Verona Bronze
K	BER7890-1VB	96mm c/c Pull	Verona Bronze
L	BER7905-1VB	96mm c/c Pull	Verona Bronze
M	BER7883-1VB	128mm c/c Pull	Verona Bronze
N	BER7904-1VB	128mm c/c Pull	Verona Bronze

**A**  
**B**  
**C**  
**D**  
**E**  
**F**  
**G**  
**H**  
**I**  
**J**  
**K**  
**L**  
**M**  
**N**  
**O**  
**P**  
**Q**  
**R**  
**S**  
**T**  
**U**  
**V**  
**W**  
**X**  
**Y**

A  
B  
C  
D  
E  
F  
G  
H  
I  
J  
K  
L  
M  
N  
O  
P  
Q  
R  
S  
T  
U  
V  
W  
X  
Y

**BERENSON™**

**Village Collection**



Material: Zinc



	Item #	Size	Finish
A	BER2075-1BPN	3" c/c	Brushed Nickel
B	BER2076-10VB	3" c/c	Verona Bronze
c	BER2077-1BPN	96mm c/c	Brushed Nickel
D	BER2078-10VB	96mm c/c	Verona Bronze
E	BER2079-1BPN	128mm c/c	Brushed Nickel

	Item #	Size	Finish
F	BER2080-10VB	128mm c/c	Verona Bronze
G	BER2081-1BPN	160mm c/c	Brushed Nickel
H	BER2082-10VB	160mm c/c	Verona Bronze
I	BER2083-1BPN	256mm c/c	Brushed Nickel
J	BER2084-10VB	256mm c/c	Verona Bronze



**BERENSON™**

**Zurich Collection**

Material: \* = Steel | \*\* = Aluminum | † = Brass



		Item #	Size	Finish
A	**	FE14835SAL	3-1/2" c/c	Satin Aluminum
B	*	FE14835S-CH	3-1/2" c/c	Polished Chrome
C	*	FE14835S-DCH	3-1/2" c/c	Satin Chrome
D	**	FE1483SAL	3" c/c	Satin Aluminum
E	*	FE1483S-CH	3" c/c	Polished Chrome
F	*	FE1483S-DCH	3" c/c	Satin Chrome
G	*	FE1484S-CH	4" c/c	Polished Chrome

		Item #	Size	Finish
H	*	FE1484S-DCH	4" c/c	Satin Chrome
I	†	FE14896DCH	96mm c/c	Satin Chrome
J	**	FE14896SAL	96mm c/c	Satin Aluminum
K	*	FE14896S-BR	96mm c/c	Polished Brass
L	*	FE14896S-CH	96mm c/c	Polished Chrome
M	*	FE14896S-DCH	96mm c/c	Satin Chrome

A  
B  
C  
D  
E  
F  
G  
H  
I  
J  
K  
L  
M  
N  
O  
P  
Q  
R  
S  
T  
U  
V  
W  
X  
Y

A  
B  
C  
D  
E  
F  
G  
H  
I  
J  
K  
L  
M  
N  
O  
P  
Q  
R  
S  
T  
U  
V  
W  
X  
Y

## AMEROCK®

### Abernathy Series



Material: Acrylic, Zinc Base | Finish Guide: See Pg. 132-133



A (CAS Finish)      B (CG10 Finish)      C (CORB Finish)

	Item #	Size	Finish
A	AM29460C-AS	1-1/16" Length	Clear / Antique Silver
B	AM29460C-G10	1-1/16" Length	Clear / Satin Nickel
C	AM29460C-ORB	1-1/16" Length	Clear / Oil Rubbed Bronze

### Abstractions Series



Material: Zinc | Finish Guide: See Pg. 132-133



A (26 Finish)

B (26 Finish)

	Item #	Size	Finish
A	AM19257-26	1-1/4" Dia.	Polished Chrome
	AM19257-G10	1-1/4" Dia.	Satin Nickel
B	AM19258-26	3" c/c	Polished Chrome
	AM19258-G10	3" c/c	Satin Nickel

### Allison Series



Material: Solid Brass | Finish Guide: See Pg. 132-133



A (ORB Finish)

	Item #	Size	Finish
A	AM1466-G10	1-1/4" Dia.	Satin Nickel
	AM1466-ORB	1-1/4" Dia.	Oil Rubbed Bronze
	AM1466-WN	1-1/4" Dia.	Weathered Nickel

**AMEROCK®**

**Allison Series**

Material: Zinc (unless otherwise noted)

Finish Guide: See Pg. 132-133



	Item #	Size	Finish
A	AM173CH	3" c/c	Polished Chrome
	AM173-G10	3" c/c	Satin Nickel
	AM173-ORB	3" c/c	Oil Rubbed Bronze
B	AM174G10	3" c/c	Satin Nickel
	AM174-ORB	3" c/c	Oil Rubbed Bronze
C	AM1908-G10	3" c/c	Satin Nickel
D	AM1910-G10	1-1/4" Dia.	Satin Nickel
E	AM1950-26	1-1/4" Dia.	Polished Chrome
	AM1950-G10	1-1/4" Dia.	Satin Nickel
	AM1950-ORB	1-1/4" Dia.	Oil Rubbed Bronze
F	AM1950H-26D	1-1/4" Dia.	Brushed Chrome
	AM1950H-G10	1-1/4" Dia.	Satin Nickel

	Item #	Size	Finish
G	AM253G10	3" c/c	Satin Nickel
	AM253LB	3" c/c	Light Antique Brass
H	AM29111-G10	128mm c/c	Satin Nickel
I	AM29113-G10	1-1/4" Dia.	Satin Nickel
	AM29113-ORB	1-1/4" Dia.	Oil Rubbed Bronze
J	AM29115-G10	1-1/2" Dia.	Satin Nickel
K	AM29120-G10	96mm c/c	Satin Nickel
L	AM3416-26	3" c/c	Polished Chrome
	AM3416-3	3" c/c	Polished Brass
M	AM52994-G10	96mm c/c	Satin Nickel
N	AM52996-G10	96mm c/c	Satin Nickel

A  
B  
C  
D  
E  
F  
G  
H  
I  
J  
K  
L  
M  
N  
O  
P  
Q  
R  
S  
T  
U  
V  
W  
X  
Y

A  
B  
C  
D  
E  
F  
G  
H  
I  
J  
K  
L  
M  
N  
O  
P  
Q  
R  
S  
T  
U  
V  
W  
X  
Y

**AMEROCK®**

**Allison Series**

Material: Zinc | Finish Guide: See Pg. 132-133



	Item#	Size	Finish
A	AM53000-G10	1-1/4" Dia.	Satin Nickel
B	AM53001-FB	1-1/8" Dia.	Flat Black
	AM53001-ORB	1-1/8" Dia.	Oil Rubbed Bronze
C	AM53002-G10	1-3/16" Dia.	Satin Nickel
	AM53002-ORB	1-3/16" Dia.	Oil Rubbed Bronze
D	AM53003-26	96mm c/c	Polished Chrome
	AM53003-FB	96mm c/c	Flat Black
	AM53003-G10	96mm c/c	Satin Nickel
	AM53003-ORB	96mm c/c	Oil Rubbed Bronze
E	AM53004-G10	96mm c/c	Satin Nickel
	AM53004-ORB	96mm c/c	Oil Rubbed Bronze
F	AM53005-26	1-1/4" Dia.	Polished Chrome
	AM53005-3	1-1/4" Dia.	Polished Brass
	AM53005-AS	1-1/4" Dia.	Antique Silver
	AM53005-BB	1-1/4" Dia.	Burnished Brass
	AM53005-CZ	1-1/4" Dia.	Champagne Bronze
	AM53005-FB	1-1/4" Dia.	Flat Black
	AM53005-G10	1-1/4" Dia.	Satin Nickel
	AM53005-ORB	1-1/4" Dia.	Oil Rubbed Bronze

	Item#	Size	Finish
G	AM53006-26	3" c/c	Polished Chrome
	AM53006-FB	3" c/c	Flat Black
	AM53006-G10	3" c/c	Satin Nickel
	AM53006-ORB	3" c/c	Oil Rubbed Bronze
H	AM53007-G10	3" c/c	Satin Nickel
I	AM53008-G10	3" c/c	Satin Nickel
J	AM53009-G10	3" c/c	Satin Nickel
K	AM53011-26	1-1/4" Dia.	Polished Chrome
	AM53011-FB	1-1/4" Dia.	Flat Black
	AM53011-G10	1-1/4" Dia.	Satin Nickel
	AM53011-ORB	1-1/4" Dia.	Oil Rubbed Bronze

**AMEROCK®**

**Allison Series**

Material: Zinc | Finish Guide: See Pg. 132-133



A (ORB Finish)



B (26 Finish)



C (FB Finish)



D (ORB Finish)



E (ORB Finish)



F (ORB Finish)

	Item #	Size	Finish
A	AM53012-26	1-1/4" Dia.	Polished Chrome
	AM53012-3	1-1/4" Dia.	Polished Brass
	AM53012-FB	1-1/4" Dia.	Flat Black
	AM53012-G10	1-1/4" Dia.	Satin Nickel
	AM53012-ORB	1-1/4" Dia.	Oil Rubbed Bronze
B	AM53014-26	1-3/8" L	Polished Chrome
	AM53014-FB	1-3/8" L	Flat Black
	AM53014-G10	1-3/8" L	Satin Nickel
	AM53014-ORB	1-3/8" L	Oil Rubbed Bronze
C	AM53015-26	1-1/4" Dia.	Polished Chrome
	AM53015-FB	1-1/4" Dia.	Flat Black
	AM53015-G10	1-1/4" Dia.	Satin Nickel
	AM53015-ORB	1-1/4" Dia.	Oil Rubbed Bronze

	Item #	Size	Finish
D	AM53018-G10	1-1/4" L	Satin Nickel
	AM53018-ORB	1-1/4" L	Oil Rubbed Bronze
E	AM53470-G10	3" c/c	Satin Nickel
	AM53470-ORB	3" c/c	Oil Rubbed Bronze
F	AM53471-G10	1-1/4" Dia.	Satin Nickel
	AM53471-ORB	1-1/4" Dia.	Oil Rubbed Bronze

A  
B  
C  
D  
E  
F  
G  
H  
I  
J  
K  
L  
M  
N  
O  
P  
Q  
R  
S  
T  
U  
V  
W  
X  
Y

A  
B  
C  
D  
E  
F  
G  
H  
I  
J  
K  
L  
M  
N  
O  
P  
Q  
R  
S  
T  
U  
V  
W  
X  
Y

**AMEROCK®**

**Allison Series**

Material: As Noted Below | Finish Guide: See Pg. 132-133



A (G10 Finish)  
Material: Zinc



B (26D Finish)  
Material: Brass



C (26D Finish)  
Material: Steel



D (26D Finish)  
Material: Steel



E (WI Finish)  
Material: Zinc



F (PW Finish)  
Material: Plastic



G (PBK Finish)  
Material: Plastic



H (WD Finish)  
Material: Wood



I (WD Finish)  
Material: Wood



J (WD Finish)  
Material: Wood



K (G10 Finish)  
Material: Brass



L (SCH Finish)  
Material: Zinc

	Item #	Size	Finish
A	AM69153-G10	3" c/c	Satin Nickel
B	AM76312-26D	4" c/c	Satin Chrome
C	AM76312CS-26D	4" c/c	Brushed Chrome
D	AM76313CS-26D	96mm c/c	Brushed Chrome
E	AM771-G10	1-5/16" Dia.	Satin Nickel
	AM771-WI	1-5/16" Dia.	Wrought Iron
F	AM802-PBK	1-1/4" Dia.	Black
	AM802-PW	1-1/4" Dia.	White

	Item #	Size	Finish
G	AM803-PBK	3" c/c	Black
	AM803-PW	3" c/c	White
H	AM811-WD	1-1/4" Dia.	Unfinished Birch
I	AM812-WD	1" Dia.	Unfinished Birch
J	AM813-WD	1-1/2" Dia.	Unfinished Birch
K	AM865-G10	3" c/c	Satin Nickel
L	AM943SCH	4" c/c	Satin Chrome

**AMEROCK®**

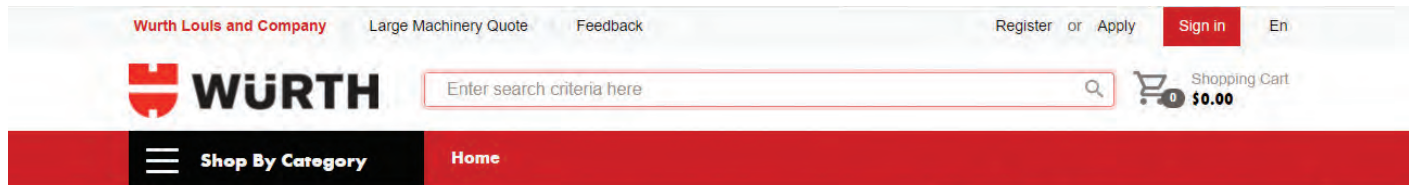
**Anniversary Series**

Material: Zinc | Finish Guide: See Pg. 132-133



	Item #	Size	Finish
A	AM874-BN	3" c/c	Black Nickel
	AM874-G9	3" c/c	Sterling Nickel
	AM874-PWT	3" c/c	Pewter
B	AM853-26	1-3/16" Dia.	Polished Chrome
	AM853-BN	1-3/16" Dia.	Black Nickel
	AM853-G9	1-3/16" Dia.	Sterling Nickel

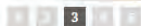
Visit us on our website: [wurthlac.com](http://wurthlac.com)



**Würth Louis and Company**  
Introduces:

**RGB TUNABLE  
FLEXTAPE®**

Creating dramatic lighting with 16 million color combinations is now a reality with RGB Standard color-changing FlexTape®.



**GOVERNMENT**

We are a SAM Approved U.S. Government Vendor

**CATALOGS & LITERATURE**

Digital versions to download

**MACHINERY**

Explore our full line of woodworking machinery

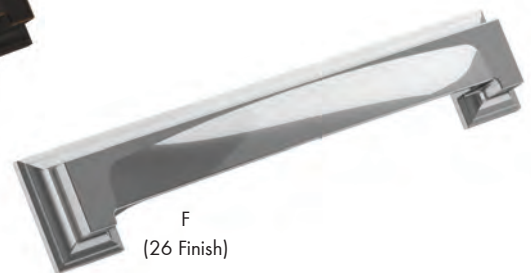
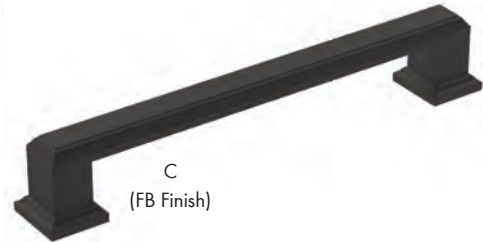
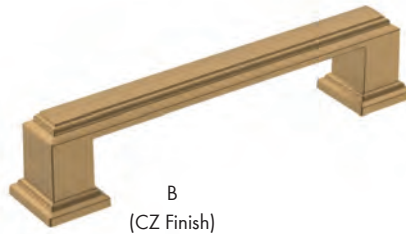
A  
B  
C  
D  
E  
F  
G  
H  
I  
J  
K  
L  
M  
N  
O  
P  
Q  
R  
S  
T  
U  
V  
W  
X  
Y

**A AMEROCK®**

**Appoint Series**



Material: Zinc | Finish Guide: See Pg. 132-133



	Item #	Size	Finish
A	AM36758-26	1-1/4" Dia.	Polished Chrome
	AM36758-CZ	1-1/4" Dia.	Champagne Bronze
	AM36758-FB	1-1/4" Dia.	Matte Black
	AM36758-G10	1-1/4" Dia.	Satin Nickel
	AM36758-ORB	1-1/4" Dia.	Oil Rubbed Bronze
B	AM36759-26	96mm c/c	Polished Chrome
	AM36759-CZ	96mm c/c	Champagne Bronze
	AM36759-FB	96mm c/c	Matte Black
	AM36759-G10	96mm c/c	Satin Nickel
	AM36759-ORB	96mm c/c	Oil Rubbed Bronze
C	AM36760-26	128mm c/c	Polished Chrome
	AM36760-CZ	128mm c/c	Champagne Bronze
	AM36760-FB	128mm c/c	Matte Black
	AM36760-G10	128mm c/c	Satin Nickel
	AM36760-ORB	128mm c/c	Oil Rubbed Bronze

	Item #	Size	Finish
D	AM36761-26	192mm c/c	Polished Chrome
	AM36761-CZ	192mm c/c	Champagne Bronze
	AM36761-FB	192mm c/c	Matte Black
	AM36761-G10	192mm c/c	Satin Nickel
	AM36761-ORB	192mm c/c	Oil Rubbed Bronze
E	AM36762-26	3" / 96mm c/c	Polished Chrome
	AM36762-CZ	3" / 96mm c/c	Champagne Bronze
	AM36762-FB	3" / 96mm c/c	Matte Black
	AM36762-G10	3" / 96mm c/c	Satin Nickel
	AM36762-ORB	3" / 96mm c/c	Oil Rubbed Bronze
F	AM36763-26	160mm c/c	Polished Chrome
	AM36763-CZ	160mm c/c	Champagne Bronze
	AM36763-FB	160mm c/c	Matte Black
	AM36763-G10	160mm c/c	Satin Nickel
	AM36763-ORB	160mm c/c	Oil Rubbed Bronze



**AMEROCK®**

**Ashby Series**

Material: Zinc | Finish Guide: See Pg. 132-133



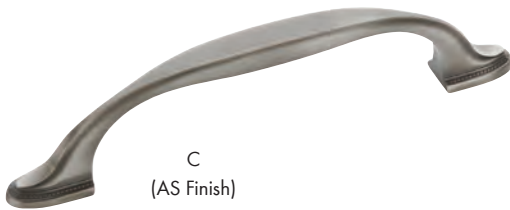
Item #	Size	Finish
AM36640-BBZ	3" and 4" c/c	Golden Champagne
AM36640-G10	3" and 4" c/c	Satin Nickel
AM36640-GM	3" and 4" c/c	Gunmetal
AM36640-ORB	3" and 4" c/c	Oil Rubbed Bronze
AM36640-PN	3" and 4" c/c	Polished Nickel
AM36640-WN	3" and 4" c/c	Weathered Nickel

**Atherly Series**

Material: Zinc | Finish Guide: See Pg. 132-133



A  
(AS Finish)



	Item #	Size	Finish
A	AM29310-AS	1-3/16" Dia.	Antique Silver
	AM29310-G10	1-3/16" Dia.	Satin Nickel
	AM29310-ORB	1-3/16" Dia.	Oil Rubbed Bronze
B	AM29289-AS	3" c/c	Antique Silver
	AM29289-G10	3" c/c	Satin Nickel
	AM29289-ORB	3" c/c	Oil Rubbed Bronze
C	AM29295-AS	96mm c/c	Antique Silver
	AM29295-G10	96mm c/c	Satin Nickel
	AM29295-ORB	96mm c/c	Oil Rubbed Bronze

**Backplate Series**

Material: Zinc | Finish Guide: See Pg. 132-133



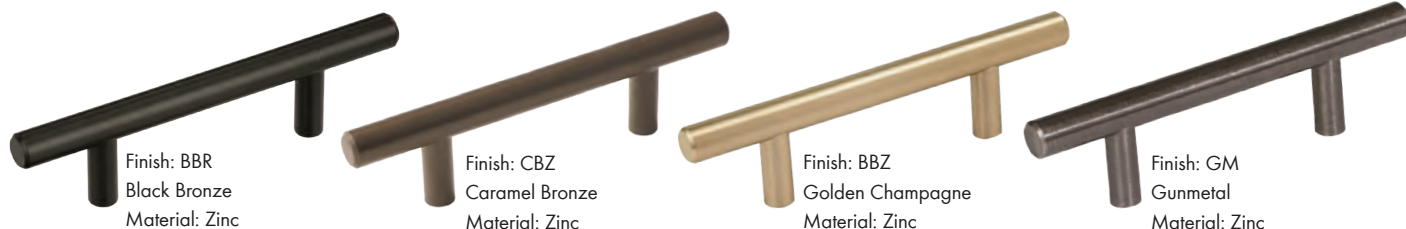
Item #	Size	Finish
AM19208-G10	3" c/c x 5-11/16"L	Satin Nickel
AM19208-ORB	3" c/c x 5-11/16"L	Oil Rubbed Bronze

A  
B  
C  
D  
E  
F  
G  
H  
I  
J  
K  
L  
M  
N  
O  
P  
Q  
R  
S  
T  
U  
V  
W  
X  
Y

**AMEROCK®**

**Bar Pull Series**

Material: As Noted Below | Finish Guide: See Pg. 132-133



Finish: BBR  
Black Bronze  
Material: Zinc

Finish: CBZ  
Caramel Bronze  
Material: Zinc

Finish: BBZ  
Golden Champagne  
Material: Zinc

Finish: GM  
Gunmetal  
Material: Zinc

Bar Pull Width: 1/2"

Size C/C	Black Bronze Item #	Caramel Bronze Item #	Golden Champagne Item #	Gunmetal Item #
3"	AM40515-BBR	AM40515-CBZ	AM40515-BBZ	AM40515-GM
96mm	AM40516-BBR	-	AM40516-BBZ	AM40516-GM
128mm	AM40517-BBR	-	AM40517-BBZ	AM40517-GM
192mm	AM40518-BBR	-	AM40518-BBZ	AM40518-GM
256mm	AM40519-BBR	-	AM40519-BBZ	AM40519-GM
320mm	AM19014-BBR	-	AM19014-BBZ	AM19014-GM
480mm	AM19016-BBR	-	AM19016-BBZ	AM19016-GM



Finish: ORB  
Oil Rubbed Bronze  
Material: Zinc

Finish: PN  
Polished Nickel  
Material: Zinc

Finish: SS  
Stainless Steel  
Material:  
Stainless Steel

Finish: G9  
Sterling Nickel  
Material:  
Carbon Steel

Bar Pull Width: 1/2"

Size C/C	Oil Rubbed Bronze Item #	Polished Nickel Item #	Stainless Steel Item #	Sterling Nickel Item #
3"	AM40515-ORB	AM40515-PN	AM19010-SS	AM19010CS-G9
96mm	AM40516-ORB	AM40516-PN	AM19011-SS	AM19011CS-G9
128mm	AM40517-ORB	AM40517-PN	AM19541-SS	AM19541CS-G9
192mm	AM40518-ORB	AM40518-PN	AM19012-SS	AM19012CS-G9
256mm	AM40519-ORB	AM40519-PN	AM19013-SS	AM19013CS-G9
320mm	AM19014-ORB	AM19014-PN	AM19014-SS	AM19014CS-G9
416mm	AM19015-ORB	-	AM19015-SS	AM19015CS-G9
480mm	AM19016-ORB	AM19016-PN	AM19016-SS	AM19016CS-G9
544mm	AM19017-ORB	-	AM19017-SS	AM19017CS-G9
640mm	AM19018-ORB	-	AM19018-SS	AM19018CS-G9
768mm	AM19019-ORB	-	AM19019-SS	AM19019CS-G9

**AMEROCK®**

**Bar Pull Series, Appliance Pulls**

Material: As Noted Below

Finish Guide: See Pg. 132-133



Finish: BBR  
Black Bronze  
Material: Zinc



Finish: BBZ  
Golden Champagne  
Material: Zinc



Finish: GM  
Gunmetal  
Material: Zinc

Bar Pull Width: 3/4"

Size C/C	Black Bronze Item #	Golden Champagne Item #	Gunmetal Item #
12"	AM54008-BBR	AM54008-BBZ	AM54008-GM
18"	AM54025-BBR	AM54025-BBZ	-



Finish: ORB  
Oil Rubbed Bronze  
Material: Zinc



Finish: PN  
Polished Nickel  
Material: Zinc



Finish: SS  
Stainless Steel  
Material: Stainless Steel



Finish: G9  
Sterling Nickel  
Material: Steel

Bar Pull Width: 3/4"

Size C/C	Oil Rubbed Bronze Item #	Polished Nickel Item #	Stainless Steel Item #	Sterling Nickel Item #
12"	AM54008-ORB	AM54008-PN	AM54008-SS	AM54008-CSG9
18"	AM54025-ORB	AM54025-PN	AM54025-SS	-

**Bar Pull Series, T-Pulls**

Material: As Noted Below

Finish Guide: See Pg. 132-133



Finish: BBR  
Black Bronze  
Material: Zinc



Finish: BBZ  
Golden Champagne  
Material: Zinc



Finish: GM  
Gunmetal  
Material: Zinc

T-Pull Width: 1/2"

Size Length	Black Bronze Item #	Golden Champagne Item #	Gunmetal Item #
49mm	AM19009-BBR	AM19009-BBZ	AM19009-GM



Finish: ORB  
Oil Rubbed Bronze  
Material: Zinc



Finish: PN  
Polished Nickel  
Material: Zinc



Finish: SS  
Stainless Steel  
Material: Stainless Steel



Finish: G9  
Sterling Nickel  
Material: Steel

T-Pull Width: 1/2"

Size Length	Oil Rubbed Bronze Item #	Polished Nickel Item #	Stainless Steel Item #	Sterling Nickel Item #
49mm	AM19009-ORB	AM19009-PN	AM19009-SS	AM19009CS-G9

A  
B  
C  
D  
E  
F  
G  
H  
I  
J  
K  
L  
M  
N  
O  
P  
Q  
R  
S  
T  
U  
V  
W  
X  
Y

A  
B  
C  
D  
E  
F  
G  
H  
I  
J  
K  
L  
M  
N  
O  
P  
Q  
R  
S  
T  
U  
V  
W  
X  
Y

**AMEROCK®**

**Blackrock Series**

Material: Zinc | Finish Guide: See Pg. 132-133



A (BBR Finish)



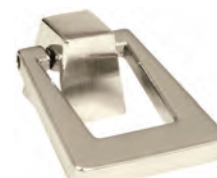
B (BBZ Finish)



C (GM Finish)



D (ORB Finish)



E (PN Finish)



F (G10 Finish)



G (BBR Finish)



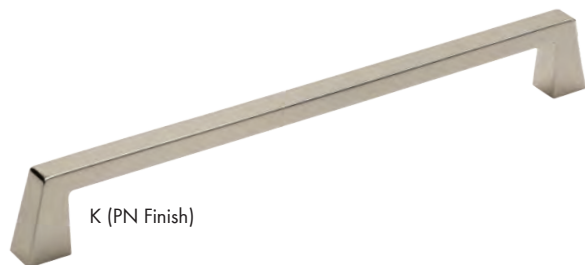
H (BBZ Finish)



I (GM Finish)



J (ORB Finish)



K (PN Finish)



L (G10 Finish)

	Size	Black Bronze Item #	Golden Champagne Item #	Gunmetal Item #	Oil Rubbed Bronze Item #	Polished Nickel Item #	Satin Nickel Item #
A	1-5/16" Dia.	AM55270-BBR	AM55270-BBZ	AM55270-GM	AM55270-ORB	AM55270-PN	AM55270-G10
B	1-3/16" Sq.	AM55271-BBR	AM55271-BBZ	AM55271-GM	AM55271-ORB	AM55271-PN	AM55271-G10
C	1-5/8" Dia.	AM55272-BBR	AM55272-BBZ	AM55272-GM	AM55272-ORB	AM55272-PN	AM55272-G10
D	1-1/2" Sq.	AM55273-BBR	AM55273-BBZ	AM55273-GM	AM55273-ORB	AM55273-PN	AM55273-G10
E	1-13/16" L	AM55274-BBR	AM55274-BBZ	AM55274-GM	AM55274-ORB	AM55274-PN	AM55274-G10
F	3" c/c	AM55275-BBR	AM55275-BBZ	AM55275-GM	AM55275-ORB	AM55275-PN	AM55275-G10
G	96mm c/c	AM55276-BBR	AM55276-BBZ	AM55276-GM	AM55276-ORB	AM55276-PN	AM55276-G10
H	128mm c/c	AM55277-BBR	AM55277-BBZ	AM55277-GM	AM55277-ORB	AM55277-PN	AM55277-G10
I	160mm c/c	AM55278-BBR	AM55278-BBZ	AM55278-GM	AM55278-ORB	AM55278-PN	AM55278-G10
J	8" c/c	AM55279-BBR	AM55279-BBZ	-	AM55279-ORB	AM55279-PN	AM55279-G10
K	12" c/c	AM55280-BBR	AM55280-BBZ	-	AM55280-ORB	AM55280-PN	AM55280-G10
L	18" c/c	AM55281-BBR	AM55281-BBZ	-	AM55281-ORB	AM55281-PN	AM55281-G10

**AMEROCK®**

**Blythe Series**

Material: Zinc | Finish Guide: See Pg. 132-133



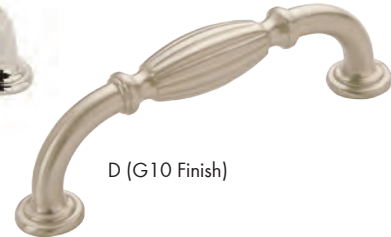
A (PN Finish)



B (ORB Finish)



C (PN Finish)



D (G10 Finish)



E (PN Finish)



F (WN Finish)



G (G10 Finish)

	Size	Oil Rubbed Bronze Item #	Polished Nickel Item #	Satin Nickel Item #	Weathered Nickel Item #
A	2-5/8" L	AM55220-ORB	AM55220-PN	AM55220-G10	AM55220-WN
B	3" L	AM55221-2-ORB	AM552212-PN	AM55221-2-G10	AM55221-2-WN
C	3" c/c	AM55222-ORB	AM55222-PN	AM55222-G10	AM55222-WN
D	96mm c/c	AM55223-ORB	AM55223-PN	AM55223-G10	AM55223-WN
E	128mm c/c	AM55224-ORB	AM55224-PN	AM55224-G10	AM55224-WN
F	160mm c/c	AM55225-ORB	AM55225-PN	AM55225-G10	AM55225-WN
G	8" c/c	-	-	AM55226-G10	-

**Brass & Sterling Series**

Material: Zinc | Finish Guide: See Pg. 132-133



A (ORB Finish)



B (G9 Finish)



C (ORB Finish)

	Size	Oil Rubbed Bronze Item #	Sterling Nickel Item #
A	3" c/c	AM1300-ORB	AM1300-G9
B	3" c/c	AM1302-ORB	AM1302-G9
C	1-1/4" Dia.	AM1307-ORB	-

A  
B  
C  
D  
E  
F  
G  
H  
I  
J  
K  
L  
M  
N  
O  
P  
Q  
R  
S  
T  
U  
V  
W  
X  
Y

A  
B  
C  
D  
E  
F  
G  
H  
I  
J  
K  
L  
M  
N  
O  
P  
Q  
R  
S  
T  
U  
V  
W  
X  
Y

**AMEROCK®**

**Caliber Series**



Material: Zinc | Finish Guide: See Pg. 132-133



	Item #	Size	Finish
A	AM36872-26	1-1/4" Dia.	Polished Chrome
	AM36872-CZ	1-1/4" Dia.	Champagne Bronze
	AM36872-FB	1-1/4" Dia.	Matte Black
	AM36872-G10	1-1/4" Dia.	Satin Nickel
	AM36872-ORB	1-1/4" Dia.	Oil Rubbed Bronze
B	AM36873-26	96mm c/c	Polished Chrome
	AM36873-CZ	96mm c/c	Champagne Bronze
	AM36873-FB	96mm c/c	Matte Black
	AM36873-G10	96mm c/c	Satin Nickel
	AM36873-ORB	96mm c/c	Oil Rubbed Bronze
C	AM36874-26	128mm c/c	Polished Chrome
	AM36874-CZ	128mm c/c	Champagne Bronze
	AM36874-FB	128mm c/c	Matte Black
	AM36874-G10	128mm c/c	Satin Nickel
	AM36874-ORB	128mm c/c	Oil Rubbed Bronze

	Item #	Size	Finish
D	AM36875-26	160mm c/c	Polished Chrome
	AM36875-CZ	160mm c/c	Champagne Bronze
	AM36875-FB	160mm c/c	Matte Black
	AM36875-G10	160mm c/c	Satin Nickel
	AM36875-ORB	160mm c/c	Oil Rubbed Bronze
E	AM36876-26	192mm c/c	Polished Chrome
	AM36876-CZ	192mm c/c	Champagne Bronze
	AM36876-FB	192mm c/c	Matte Black
	AM36876-G10	192mm c/c	Satin Nickel
	AM36876-ORB	192mm c/c	Oil Rubbed Bronze
F	AM36877-26	256mm c/c	Polished Chrome
	AM36877-CZ	256mm c/c	Champagne Bronze
	AM36877-FB	256mm c/c	Matte Black
	AM36877-G10	256mm c/c	Satin Nickel
	AM36877-ORB	256mm c/c	Oil Rubbed Bronze

**AMEROCK®**

**Candler Series**

Material: Zinc | Finish Guide: See Pg. 132-133



	Size	Item #	Antique Silver	Black Bronze	Caramel Bronze	Golden Champagne	Gun-metal	Oil Rubbed Bronze	Polished Nickel	Satin Nickel	Venetian Bronze
A	1-1/4"L	AM29340	-AS	-BBR	-CBZ	-BBZ	-GM	-ORB	-PN	-G10	-
B	3" c/c	AM29349	-AS	-BBR	-CBZ	-BBZ	-GM	-ORB	-PN	-G10	-
C	96mm c/c	AM29355	-AS	-BBR	-CBZ	-BBZ	-GM	-ORB	-PN	-G10	-VB
D	128mm c/c	AM29363	-AS	-BBR	-	-BBZ	-GM	-ORB	-PN	-G10	-
E	160mm c/c	AM29364	-AS	-BBR	-	-BBZ	-GM	-ORB	-PN	-G10	-
F	8" c/c	AM29365	-AS	-BBR	-	-BBZ	-	-ORB	-PN	-G10	-
G	12" c/c	AM29366	-AS	-BBR	-	-BBZ	-	-ORB	-PN	-G10	-
H	18" c/c	AM29367	-AS	-BBR	-	-BBZ	-	-ORB	-PN	-G10	-
I	1-1/2"L	AM29368	-AS	-BBR	-	-BBZ	-GM	-ORB	-PN	-G10	-

When placing your order, please combine the item # and the finish code for the complete part #. For example, the item# for 96mm c/c pull in a Gunmetal finish is AM29355 + -GM = AM29355-GM (complete item #).

A  
B  
C  
D  
E  
F  
G  
H  
I  
J  
K  
L  
M  
N  
O  
P  
Q  
R  
S  
T  
U  
V  
W  
X  
Y

A  
B  
C  
D  
E  
F  
G  
H  
I  
J  
K  
L  
M  
N  
O  
P  
Q  
R  
S  
T  
U  
V  
W  
X  
Y

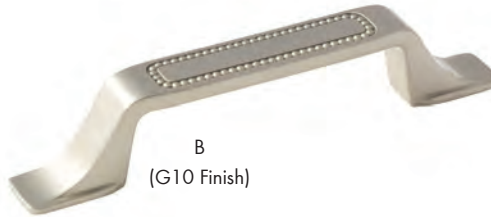
**AMEROCK®**

**Carolyne Series**

Material: Zinc | Finish Guide: See Pg. 132-133



A  
(G10 Finish)



B  
(G10 Finish)



C  
(G10 Finish)

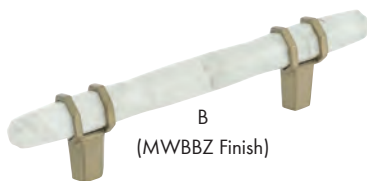
	Item #	Size	Finish
A	AM36580-G10	1-3/8" Dia.	Satin Nickel
B	AM36584-G10	96mm c/c	Satin Nickel
C	AM36585-G10	128mm c/c	Satin Nickel
	AM36585-PN	128mm c/c	Polished Nickel

**Carrione Series**

Material: Zinc | Finish Guide: See Pg. 132-133



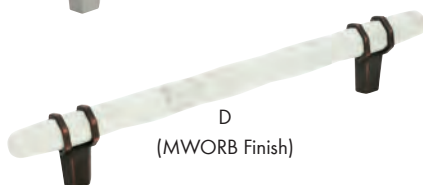
A  
(MWBBR Finish)



B  
(MWBBZ Finish)



C  
(MWG10 Finish)



D  
(MWORB Finish)

	Item #	Size	Finish
A	AM36647-MWBBZ	2-1/2"L	Marble White/Golden Champagne
	AM36647-MWPN	2-1/2"L	Marble White/Polished Nickel
	AM36647-MWG10	2-1/2"L	Marble White/Satin Nickel
	AM36647-MWORB	2-1/2"L	Marble White/Oil-Rubbed Bronze
	AM36647-MWBBR	2-1/2"L	Marble White/Black Bronze
B	AM36648-MWBBZ	96mm c/c	Marble White/Golden Champagne
	AM36648-MWG10	96mm c/c	Marble White/Satin Nickel
	AM36648-MWORB	96mm c/c	Marble White/Oil-Rubbed Bronze
	AM36648-MWBBR	96mm c/c	Marble White/Black Bronze
C	AM36649-MWBBZ	128mm c/c	Marble White/Golden Champagne
	AM36649-MWG10	128mm c/c	Marble White/Satin Nickel
	AM36649-MWORB	128mm c/c	Marble White/Oil-Rubbed Bronze
	AM36649-MWBBR	128mm c/c	Marble White/Black Bronze
D	AM36650-MWBBZ	160mm c/c	Marble White/Golden Champagne
	AM36650-MWG10	160mm c/c	Marble White/Satin Nickel
	AM36650-MWORB	160mm c/c	Marble White/Oil-Rubbed Bronze
	AM36650-MWBBR	160mm c/c	Marble White/Black Bronze



**AMEROCK®**

**Conrad Series**

Material: Zinc | Finish Guide: See Pg. 132-133



	Item #	Size	Finish
A	AM29200-G10	96mm c/c	Satin Nickel
	AM29200-ORB	96mm c/c	Oil Rubbed Bronze
B	AM29201-G10	96mm c/c	Satin Nickel
	AM29201-ORB	96mm c/c	Oil Rubbed Bronze

	Item #	Size	Finish
C	AM29202-G10	96mm c/c	Satin Nickel
	AM29202-ORB	96mm c/c	Oil Rubbed Bronze
D	AM29203-G10	1-1/2" Length	Satin Nickel
	AM29203-ORB	1-1/2" Length	Oil Rubbed Bronze

**Crawford Series**

Material: Zinc | Finish Guide: See Pg. 132-133



	Item #	Size	Finish
A	AM36593-BBZ	96mm c/c	Golden Champagne
	AM36593-G10	96mm c/c	Satin Nickel
	AM36593-ORB	96mm c/c	Oil Rubbed Bronze
B	AM36594-BBZ	128mm c/c	Golden Champagne
	AM36594-G10	128mm c/c	Satin Nickel
	AM36594-ORB	128mm c/c	Oil Rubbed Bronze

	Item #	Size	Finish
C	AM36595-BBZ	160mm c/c	Golden Champagne
	AM36595-G10	160mm c/c	Satin Nickel
	AM36595-ORB	160mm c/c	Oil Rubbed Bronze
D	AM36613-BBZ	1-3/8" Dia.	Golden Champagne
	AM36613-G10	1-3/8" Dia.	Satin Nickel
	AM36613-ORB	1-3/8" Dia.	Oil Rubbed Bronze

A  
B  
C  
D  
E  
F  
G  
H  
I  
J  
K  
L  
M  
N  
O  
P  
Q  
R  
S  
T  
U  
V  
W  
X  
Y

A  
B  
C  
D  
E  
F  
G  
H  
I  
J  
K  
L  
M  
N  
O  
P  
Q  
R  
S  
T  
U  
V  
W  
X  
Y

**AMEROCK®**

**Creased Bow Series**

Material: Zinc | Finish Guide: See Pg. 132-133



	Item #	Size	Finish
A	AM27016-26	96mm c/c	Polished Chrome
	AM27016-G10	96mm c/c	Satin Nickel
B	AM27017-26	128mm c/c	Polished Chrome
	AM27017-G10	128mm c/c	Satin Nickel
C	AM27018-26	7/8" Sq.	Polished Chrome
	AM27018-G10	7/8" Sq.	Satin Nickel

**Cup Pull Series**

Material: Zinc | Finish Guide: See Pg. 132-133



	Item #	Size	Finish
A	AM53010-26	3" c/c	Polished Chrome
	AM53010-AS	3" c/c	Antique Silver
	AM5301-BBZ	3" c/c	Golden Champagne
	AM53010-BN	3" c/c	Black Nickel
	AM53010-FB	3" c/c	Flat Black
	AM53010-G10	3" c/c	Satin Nickel
	AM53010-ORB	3" c/c	Oil Rubbed Bronze
	AM53010-PN	3" c/c	Polished Nickel
B	AM53019-FB	2-1/2" c/c	Flat Black
	AM53019-G10	2-1/2" c/c	Satin Nickel

**AMEROCK®**

**Cup Pull Series, Solid Brass**

Material: Brass | Finish Guide: See Pg. 132-133



	Item #	Size	Finish
A	AM4235-26	3" c/c	Polished Chrome
B	AM4235-G9	3" c/c	Sterling Nickel
C	AM4235-ORB	3" c/c	Oil Rubbed Bronze

	Item #	Size	Finish
D	AM4235-WID	3" c/c	Wrought Iron Dark
E	AM4235-WN	3" c/c	Weathered Nickel

**Cyprus Series**

Material: Zinc | Finish Guide: See Pg. 132-133



	Size	Black Bronze Item #	Golden Champagne Item #	Oil Rubbed Bronze Item #	Polished Nickel Item #	Satin Nickel Item #
A	3" c/c	AM26201-BBR	AM26201-BBZ	AM26201-ORB	AM26201-PN	AM26201-G10
B	96mm c/c	AM26203-BBR	AM26203-BBZ	AM26203-ORB	AM26203-PN	AM26203-G10
C	160mm c/c	AM26204-BBR	AM26204-BBZ	AM26204-ORB	AM26204-PN	AM26204-G10
D	8" c/c	AM26205-BBR	AM26205-BBZ	AM26205-ORB	AM26205-PN	AM26205-G10
E	12" c/c	AM26206-BBR	AM26206-BBZ	AM26206-ORB	AM26206-PN	AM26206-G10
F	18" c/c	AM26207-BBR	AM26207-BBZ	AM26207-ORB	AM26207-PN	AM26207-G10
G	128mm c/c	AM9362-BBR	AM9362-BBZ	AM9362-ORB	AM9362-PN	AM9362-G10

A  
B  
C  
D  
E  
F  
G  
H  
I  
J  
K  
L  
M  
N  
O  
P  
Q  
R  
S  
T  
U  
V  
W  
X  
Y

A  
B  
C  
D  
E  
F  
G  
H  
I  
J  
K  
L  
M  
N  
O  
P  
Q  
R  
S  
T  
U  
V  
W  
X  
Y

**AMEROCK®**

**Davenport Series**



Material: Zinc | Finish Guide: See Pg. 132-133



A  
(GM Finish)



B  
(G10 Finish)



C  
(ORB Finish)



D  
(GM Finish)



E  
(G10 Finish)

	Item #	Size	Finish
A	AM36601-G10	1-1/4" Length	Satin Nickel
	AM36601-GM	1-1/4" Length	Gunmetal
	AM36601-ORB	1-1/4" Length	Oil Rubbed Bronze
B	AM36602-G10	1-1/2" Length	Satin Nickel
	AM36602-GM	1-1/2" Length	Gunmetal
	AM36602-ORB	1-1/2" Length	Oil Rubbed Bronze
C	AM36605-G10	96mm c/c	Satin Nickel
	AM36605-GM	96mm c/c	Gunmetal
	AM36605-ORB	96mm c/c	Oil Rubbed Bronze

	Item #	Size	Finish
D	AM36606-G10	128mm c/c	Satin Nickel
	AM36606-GM	128mm c/c	Gunmetal
	AM36606-ORB	128mm c/c	Oil Rubbed Bronze
E	AM36607-G10	160mm c/c	Satin Nickel
	AM36607-GM	160mm c/c	Gunmetal
	AM36607-ORB	160mm c/c	Oil Rubbed Bronze

**AMEROCK®**

**Destine Series**

Material: Zinc | Finish Guide: See Pg. 132-133



	Item #	Size	Finish
A	AM36857-26	1-3/8" Dia.	Polished Chrome
	AM36857-CZ	1-3/8" Dia.	Champagne Bronze
	AM36857-FB	1-3/8" Dia.	Matte Black
	AM36857-G10	1-3/8" Dia.	Satin Nickel
B	AM36858-26	96mm c/c	Polished Chrome
	AM36858-CZ	96mm c/c	Champagne Bronze
	AM36858-FB	96mm c/c	Matte Black
	AM36858-G10	96mm c/c	Satin Nickel
C	AM36859-26	128mm c/c	Polished Chrome
	AM36859-CZ	128mm c/c	Champagne Bronze
	AM36859-FB	128mm c/c	Matte Black
	AM36859-G10	128mm c/c	Satin Nickel

	Item #	Size	Finish
D	AM36860-26	160mm c/c	Polished Chrome
	AM36860-CZ	160mm c/c	Champagne Bronze
	AM36860-FB	160mm c/c	Matte Black
	AM36860-G10	160mm c/c	Satin Nickel
E	AM36861-26	224mm c/c	Polished Chrome
	AM36861-CZ	224mm c/c	Champagne Bronze
	AM36861-FB	224mm c/c	Matte Black
	AM36861-G10	224mm c/c	Satin Nickel

**Divinity Series**

Material: Zinc | Finish Guide: See Pg. 132-133



Item #	Size	Finish
AM5260-G9	3" c/c	Sterling Nickel

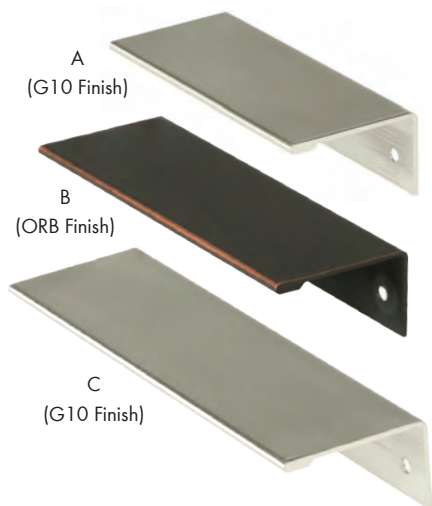
A  
B  
C  
D  
E  
F  
G  
H  
I  
J  
K  
L  
M  
N  
O  
P  
Q  
R  
S  
T  
U  
V  
W  
X  
Y

A  
B  
C  
D  
E  
F  
G  
H  
I  
J  
K  
L  
M  
N  
O  
P  
Q  
R  
S  
T  
U  
V  
W  
X  
Y

# AMEROCK®

## Edge Pulls Series

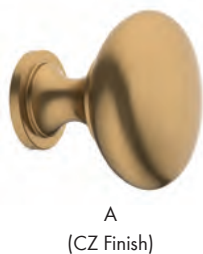
Material: Zinc | Finish Guide: See Pg. 132-133



	Item #	Size	Finish
A	AM36573-26	3" c/c	Polished Chrome
	AM36573-FB	3" c/c	Matte Black
	AM36573-G10	3" c/c	Satin Nickel
	AM36573-ORB	3" c/c	Oil Rubbed Bronze
	AM36573-PN	3" c/c	Polished Nickel
B	AM36574-26	96mm c/c	Polished Chrome
	AM36574-FB	96mm c/c	Matte Black
	AM36574-G10	96mm c/c	Satin Nickel
	AM36574-ORB	96mm c/c	Oil Rubbed Bronze
	AM36574-PN	96mm c/c	Polished Nickel
C	AM36575-26	128mm c/c	Polished Chrome
	AM36575-FB	128mm c/c	Matte Black
	AM36575-G10	128mm c/c	Satin Nickel
	AM36575-ORB	128mm c/c	Oil Rubbed Bronze
	AM36575-PN	128mm c/c	Polished Nickel

## Edona Series

Material: Zinc | Finish Guide: See Pg. 132-133



	Item #	Size	Finish
A	AM53005-26	1-1/4" Dia.	Polished Chrome
	AM53005-3	1-1/4" Dia.	Polished Brass
	AM53005-AS	1-1/4" Dia.	Antique Silver
	AM53005-BB	1-1/4" Dia.	Burnished Brass
	AM53005-CZ	1-1/4" Dia.	Champagne Bronze
	AM53005-FB	1-1/4" Dia.	Flat Black
	AM53005-G10	1-1/4" Dia.	Satin Nickel
	AM53005-ORB	1-1/4" Dia.	Oil-Rubbed Bronze

## Era Series

Material: Zinc | Finish Guide: See Pg. 132-133



	Item #	Size	Finish
A	AM36907-26	1-1/4" Dia.	Polished Chrome
	AM36907-FB	1-1/4" Dia.	Matte Black
	AM36907-G10	1-1/4" Dia.	Satin Nickel
	AM36907-ORB	1-1/4" Dia.	Oil-Rubbed Bronze

**AMEROCK®**

**Esquire Series**

Material: Zinc | Finish Guide: See Pg. 132-133



	Size	Polished Nickel / Black Bronze Grip Item #	Polished Nickel / Golden Champagne Grip Item #	Polished Nickel / Gunmetal Grip Item #	Polished Nickel / Stainless Steel Grip Item #	Satin Nickel / Oil Rubbed Bronze Grip Item #
A	2-5/8" L	AM36556-PNBBR	AM36556-PNBBZ	AM36556-PNGM	AM36556-PNSS	AM36556-G10ORB
B	3" & 96mm c/c	AM36557-PNBBR	AM36557-PNBBZ	AM36557-PNGM	AM36557-PNSS	AM36557-G10ORB
C	128mm c/c	AM36558-PNBBR	AM36558-PNBBZ	AM36558-PNGM	AM36558-PNSS	AM36558-G10ORB
D	160mm c/c	AM36559-PNBBR	AM36559-PNBBZ	AM36559-PNGM	AM36559-PNSS	AM36559-G10ORB
E	256mm c/c	AM36560-PN-BBR	AM36560-PNBBZ	AM36560-PNGM	AM36560-PNSS	AM36560-G10-ORB
F	320mm c/c	AM36561-PNBBR	AM36561-PNBBZ	AM36561-PNGM	AM36561-PNSS	AM36561-G10ORB

**Essential'z Series**

Material: Zinc | Finish Guide: See Pg. 132-133



	Size	Antique Nickel Item #	Satin Nickel Item #
A	128mm c/c	-	AM19200-G10
B	128mm c/c	-	AM19203-G10
C	128mm c/c	-	AM19205-G10
D	3" c/c	-	AM19259-G10
E	128mm c/c	AM24002-AN	AM24002-SN

A  
B  
C  
D  
E  
F  
G  
H  
I  
J  
K  
L  
M  
N  
O  
P  
Q  
R  
S  
T  
U  
V  
W  
X  
Y

A  
B  
C  
D  
E  
F  
G  
H  
I  
J  
K  
L  
M  
N  
O  
P  
Q  
R  
S  
T  
U  
V  
W  
X  
Y

**AMEROCK®**

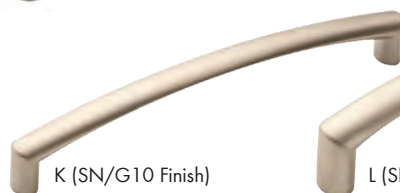
**Essential'z Series - continued**

Material: Zinc | Finish Guide: See Pg. 132-133



J (SS Finish)

	Size	Satin Nickel Item #	Stainless Steel Item #
J	128mm c/c	AM24013-SN	AM24013-SS



K (SN/G10 Finish)



L (SN/G10 Finish)



M (G10 Finish)



N (G10 Finish)



O (G10 Finish)

P (G10 Finish)

	Size	Satin Nickel Item #
K	160mm c/c	AM24017-SN
L	96mm c/c	AM24018-SN
M	3" c/c	AM29409-G10
N	96mm c/c	AM29415-G10
O	128mm c/c	AM29416-G10
P	160mm c/c	AM29423-G10



Q (ART Finish)

	Size	Antique Rust Item #	Oil Rubbed Bronze Item #	Satin Nickel Item #
Q	2-1/2" c/c	AM9365-ART	AM9365-ORB	AM9365-G10



**AMEROCK®**

**Exceed Series**

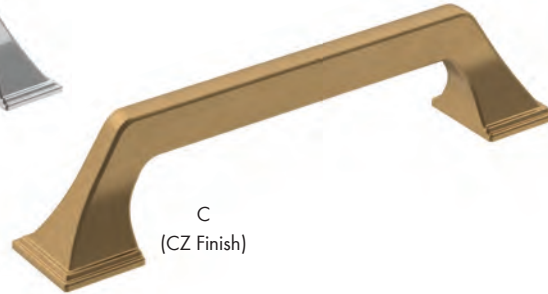
Material: Zinc | Finish Guide: See Pg. 132-133



A  
(FB Finish)



B  
(26 Finish)



C  
(CZ Finish)



D  
(FB Finish)



E  
(G10 Finish)

	Item #	Size	Finish
A	AM36880-26	1-1/2" Dia.	Polished Chrome
	AM36880-CZ	1-1/2" Dia.	Champagne Bronze
	AM36880-FB	1-1/2" Dia.	Matte Black
	AM36880-G10	1-1/2" Dia.	Satin Nickel
B	AM36881-26	96mm c/c	Polished Chrome
	AM36881-CZ	96mm c/c	Champagne Bronze
	AM36881-FB	96mm c/c	Matte Black
	AM36881-G10	96mm c/c	Satin Nickel
C	AM36882-26	128mm c/c	Polished Chrome
	AM36882-CZ	128mm c/c	Champagne Bronze
	AM36882-FB	128mm c/c	Matte Black
	AM36882-G10	128mm c/c	Satin Nickel

	Item #	Size	Finish
D	AM36883-26	160mm c/c	Polished Chrome
	AM36883-CZ	160mm c/c	Champagne Bronze
	AM36883-FB	160mm c/c	Matte Black
	AM36883-G10	160mm c/c	Satin Nickel
E	AM36884-26	224mm c/c	Polished Chrome
	AM36884-CZ	224mm c/c	Champagne Bronze
	AM36884-FB	224mm c/c	Matte Black
	AM36884-G10	224mm c/c	Satin Nickel

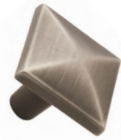
A  
B  
C  
D  
E  
F  
G  
H  
I  
J  
K  
L  
M  
N  
O  
P  
Q  
R  
S  
T  
U  
V  
W  
X  
Y

**A AMEROCK®**

**Extensity Series**



Material: Zinc | Finish Guide: See Pg. 132-133



A (AS Finish)



B (G10 Finish)



C (ORB Finish)



D (G10 Finish)



E (AS Finish)



F (ORB Finish)



G (ORB Finish)



H (G10 Finish)

	Size	Antique Silver Item #	Champagne Bronze Item #	Matte Black Item #	Oil Rubbed Bronze Item #	Polished Chrome Item #	Satin Nickel Item #
A	1-3/16" Sq.	AM29370-AS	AM29370-CZ	AM29370-FB	AM29370-ORB	AM29370-26	AM29370-G10
B	3" c/c	AM29379-AS	AM29379-CZ	AM29379-FB	AM29379-ORB	AM29379-26	AM29379-G10
C	96mm c/c	AM29385-AS	AM29385-CZ	AM29385-FB	AM29385-ORB	AM29385-26	AM29385-G10
D	128mm c/c	AM29393-AS	AM29393-CZ	AM29393-FB	AM29393-ORB	AM29393-26	AM29393-G10
E	160mm c/c	AM29394-AS	AM29394-CZ	AM29394-FB	AM29394-ORB	AM29394-26	AM29394-G10
F	8" c/c	-	-	-	AM29395-ORB	-	-
G	12" c/c	-	-	-	AM29396-ORB	-	-
H	18" c/c	-	-	-	AM29397-ORB	-	AM29397-G10

**AMEROCK®**

**Factor Series**

Material: Zinc | Finish Guide: See Pg. 132-133



	Item #	Size	Finish
A	AM36780-26	1-1/4" Dia.	Polished Chrome
	AM36780-CZ	1-1/4" Dia.	Champagne Bronze
	AM36780-FB	1-1/4" Dia.	Matte Black
	AM36780-G10	1-1/4" Dia.	Satin Nickel
B	AM36781-26	96mm c/c	Polished Chrome
	AM36781-CZ	96mm c/c	Champagne Bronze
	AM36781-FB	96mm c/c	Matte Black
	AM36781-G10	96mm c/c	Satin Nickel

	Item #	Size	Finish
C	AM36782-26	128mm c/c	Polished Chrome
	AM36782-CZ	128mm c/c	Champagne Bronze
	AM36782-FB	128mm c/c	Matte Black
	AM36782-G10	128mm c/c	Satin Nickel
D	AM36783-26	192mm c/c	Polished Chrome
	AM36783-CZ	192mm c/c	Champagne Bronze
	AM36783-FB	192mm c/c	Matte Black
	AM36783-G10	192mm c/c	Satin Nickel

**Forgings Series**

Material: Zinc | Finish Guide: See Pg. 132-133



	Item #	Size	Finish
A	AM4424-G10	3" c/c	Satin Nickel
	AM4424-ORB	3" c/c	Oiled Rubbed Bronze
	AM4424-WI	3" c/c	Wrought Iron
B	AM4425-G10	1-1/4" Dia.	Satin Nickel
	AM4425-ORB	1-1/4" Dia.	Oiled Rubbed Bronze
	AM4425-WI	1-1/4" Dia.	Wrought Iron

	Item #	Size	Finish
C	AM4426-WI	3" c/c	Wrought Iron
D	AM4428-RBZ	3" c/c	Rustic Bronze
	AM4428-WI	3" c/c	Wrought Iron
E	AM4429-RBZ	1-1/8" Sq.	Rustic Bronze
	AM4429-WI	1-1/8" Sq.	Wrought Iron

A  
B  
C  
D  
E  
F  
G  
H  
I  
J  
K  
L  
M  
N  
O  
P  
Q  
R  
S  
T  
U  
V  
W  
X  
Y

A  
B  
C  
D  
E  
F  
G  
H  
I  
J  
K  
L  
M  
N  
O  
P  
Q  
R  
S  
T  
U  
V  
W  
X  
Y

**AMEROCK®**

**Glacio Series**

Material: Synthetic Crystal, Aluminum Base  
Finish Guide: See Pg. 132-133



	Item #	Size	Finish
A	AM36651-CBBR	1-3/4" Length	Clear/Black Bronze
	AM36651-CBBZ	1-3/4" Length	Clear/Golden Champagne
	AM36651-CG10	1-3/4" Length	Clear/Satin Nickel
	AM36651-CGM	1-3/4" Length	Clear/Gunmetal
	AM36651-CORB	1-3/4" Length	Clear/Oil Rubbed Bronze
	AM36651-CPN	1-3/4" Length	Clear/Polished Nickel
B	AM36652-CBBR	1-3/4" Dia	Clear/Black Bronze
	AM36652-CBBZ	1-3/4" Dia	Clear/Golden Champagne
	AM36652-CG10	1-3/4" Dia	Clear/Satin Nickel
	AM36652-CGM	1-3/4" Dia	Clear/Gunmetal
	AM36652-CORB	1-3/4" Dia	Clear/Oil Rubbed Bronze
	AM36652-CPN	1-3/4" Dia	Clear/Polished Nickel

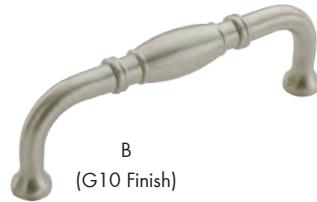
	Item #	Size	Finish
C	AM36653-CBBR	1-3/8" Length	Clear/Polished Nickel
	AM36653-CBBZ	1-3/8" Length	Clear/Black Bronze
	AM36653-CG10	1-3/8" Length	Clear/Golden Champagne
	AM36653-CGM	1-3/8" Length	Clear/Satin Nickel
	AM36653-CORB	1-3/8" Length	Clear/Gunmetal
	AM36653-CPN	1-3/8" Length	Clear/Oil Rubbed Bronze

Visit us on our website: [wurthlac.com](http://wurthlac.com)

**AMEROCK®**

**Granby Series**

Material: Zinc | Finish Guide: See Pg. 132-133



	Item #	Size	Finish
A	AM53013-26	3" c/c	Polished Chrome
	AM53013-FB	3" c/c	Flat Black
	AM53013-G10	3" c/c	Satin Nickel
	AM53013-ORB	3" c/c	Oil Rubbed Bronze
	AM53013-PN	3" c/c	Polished Nickel
B	AM55243-26	96mm c/c	Polished Chrome
	AM55243-FB	96mm c/c	Matte Black
	AM55243-G10	96mm c/c	Satin Nickel
	AM55243-ORB	96mm c/c	Oil Rubbed Bronze
	AM55243-PN	96mm c/c	Polished Nickel

	Item #	Size	Finish
C	AM55244-26	128mm c/c	Polished Chrome
	AM55244-FB	128mm c/c	Matte Black
	AM55244-G10	128mm c/c	Satin Nickel
	AM55244-ORB	128mm c/c	Oil Rubbed Bronze
	AM55244-PN	128mm c/c	Polished Nickel
D	AM55245-26	160mm c/c	Polished Chrome
	AM55245-FB	160mm c/c	Matte Black
	AM55245-G10	160mm c/c	Satin Nickel
	AM55245-ORB	160mm c/c	Oil Rubbed Bronze
	AM55245-PN	160mm c/c	Polished Nickel

**Harmony Series**

Material: Zinc | Finish Guide: See Pg. 132-133



	Item #	Size	Finish
A	AM29439-G10	3" c/c	Satin Nickel
B	AM29445-G10	96mm c/c	Satin Nickel
C	AM29446-G10	128mm c/c	Satin Nickel

A  
B  
C  
D  
E  
F  
G  
H  
I  
J  
K  
L  
M  
N  
O  
P  
Q  
R  
S  
T  
U  
V  
W  
X  
Y

A  
B  
C  
D  
E  
F  
G  
H  
I  
J  
K  
L  
M  
N  
O  
P  
Q  
R  
S  
T  
U  
V  
W  
X  
Y

**AMEROCK®**

**Highland Ridge Series**



Material: Zinc | Finish Guide: See Pg. 132-133



A (AP Finish)



B (BBR Finish)



C (DOB Finish)



D (BBZ Finish)



E (PN Finish)



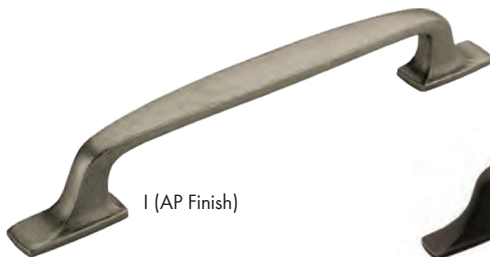
F (G10 Finish)



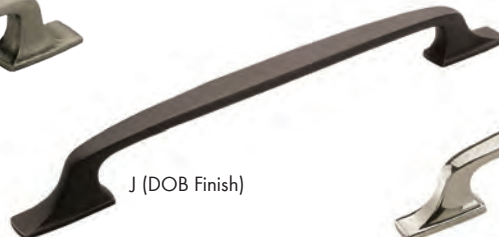
G (AP Finish)



H (BBR Finish)



I (AP Finish)



J (DOB Finish)



K (PN Finish)

	Size	Item #	Aged Pewter	Black Bronze	Caramel Bronze	Dark Oiled Bronze	Golden Champagne	Polished Nickel	Satin Nickel
A	1-3/8" L	AM55311	-AP	-BBR	-	-DOB	-BBZ	-PN	-G10
B	1-3/16" Dia.	AM55312	-AP	-BBR	-	-DOB	-BBZ	-PN	-G10
C	1-7/8" L	AM55315	-AP	-	-	-DOB	-	-PN	-
D	3" c/c	AM55316	-AP	-BBR	-CBZ	-DOB	-BBZ	-PN	-G10
E	96mm c/c	AM55317	-AP	-BBR	-	-DOB	-BBZ	-PN	-G10
F	3-1/2" c/c	AM55318	-AP	-BBR	-CBZ	-DOB	-BBZ	-PN	-G10
G	128mm c/c	AM55319	-AP	-BBR	-	-DOB	-BBZ	-PN	-G10
H	160mm c/c	AM55321	-AP	-BBR	-CBZ	-DOB	-BBZ	-PN	-G10
I	8" c/c	AM55322	-AP	-BBR	-	-DOB	-BBZ	-PN	-
J	12" c/c	AM55323	-AP	-BBR	-	-DOB	-BBZ	-PN	-G10
K	18" c/c	AM55324	-AP	-BBR	-	-DOB	-BBZ	-PN	-G10

When placing your order, please combine the item# and the finish code for the complete part#. For example, the part# for 96mm c/c pull in a Aged Pewter finish is AM55317 + -AP = AM55317-AP (complete part#).

**AMEROCK®**

**Inspirations Series**

Material: Zinc | Finish Guide: See Pg. 132-133



A (EB Finish)



B (R2 Finish)



C (WID Finish)



D (ORB Finish)

	Size	Item #	Elegant Brass	Oil Rubbed Bronze	Satin Nickel	Weathered Brass	Weathered Nickel	Wrought Iron Dark
A	3" c/c	AM1580	-EB	-ORB	-G10	-R2	-WN	-WID
B	1-1/4" Dia.	AM1581	-EB	-ORB	-G10	-R2	-WN	-WID
C	3" c/c	AM1582	-	-ORB	-	-	-WN	-WID
D	1-7/8" L	AM1583	-	-ORB	-	-	-WN	-



E (FB Finish)



F (G10 Finish)



G (ORB Finish)



G10 (VB Finish)



I (FB Finish)



J (WN Finish)



K (FB Finish)



L (ORB Finish)



M (FB Finish)

	Size	Item #	Antique Rust	Flat Black	Oil Rub Bronze	Statin Nickel	Weathered Nickel	Wrought Iron Dark
E	3" c/c	AM1584	-	-FB	-ORB	-G10	-	-
F	1-1/4" Dia.	AM1585	-ART	-FB	-ORB	-G10	-	-
G	1-5/16" Dia.	AM1586	-ART	-FB	-ORB	-G10	-WN	-WID
H	1-3/4" Dia.	AM1586-2	-	-FB	-ORB	-G10	-WN	-
I	96mm c/c	AM1587	-	-FB	-ORB	-G10	-WN	-
J	128mm c/c	AM1588	-	-FB	-ORB	-G10	-WN	-
K	3" c/c	AM1590	-	-FB	-ORB	-G10	-WN	-WID
L	3" c/c	AM1592	-	-FB	-ORB	-G10	-	-WID
M	1-7/8" L	AM1593	-	-FB	-ORB	-G10	-	-

When placing your order, please combine the item# and the finish code for the complete part#. For example, the part# for 96mm c/c pull in a Flat Black finish is AM1587 + -FB = AM1587-FB (complete part#).

A  
B  
C  
D  
E  
F  
G  
H  
I  
J  
K  
L  
M  
N  
O  
P  
Q  
R  
S  
T  
U  
V  
W  
X  
Y

A  
B  
C  
D  
E  
F  
G  
H  
I  
J  
K  
L  
M  
N  
O  
P  
Q  
R  
S  
T  
U  
V  
W  
X  
Y

**AMEROCK®**

**Inspirations Series - continued**



Material: Zinc | Finish Guide: See Pg. 132-133



	Size	Item #	Oil Rubbed Bronze	Satin Nickel
O	96mm c/c	AM1784	-ORB	-G10
P	128mm c/c	AM1785	-ORB	-G10

When placing your order, please combine the item# and the finish code for the complete part#. For example, the part# for 96mm c/c pull in a Oil Rubbed Bronze finish is AM1784 + -ORB = AM1784-ORB (complete part#).

**Kane Series**



Material: Zinc  
Finish Guide: See Pg. 132-133



	Size	Item #	Black Bronze	Golden Champagne	Oil Rub Bronze	Polished Nickel	Statin Nickel	Weathered Nickel
A	1-1/4" Dia.	AM53700	-BBR	-BBZ	-ORB	-PN	-G10	-WN
B	3" c/c	AM53701	-BBR	-BBZ	-ORB	-PN	-G10	-WN
C	96mm c/c	AM53702	-BBR	-BBZ	-ORB	-PN	-G10	-WN
D	96mm c/c	AM53801	-BBR	-BBZ	-ORB	-PN	-G10	-WN
E	128mm c/c	AM53802	-BBR	-BBZ	-ORB	-PN	-G10	-WN
F	160mm c/c	AM53803	-BBR	-BBZ	-ORB	-PN	-G10	-WN
G	8" c/c	AM53804	-BBR	-BBZ	-ORB	-PN	-G10	-WN
H	12" c/c	AM53805	-BBR	-BBZ	-ORB	-PN	-G10	-WN
I	18" c/c	AM53806	-BBR	-BBZ	-ORB	-PN	-G10	-WN
J	1-5/8" Dia.	AM53807-2	-BBR	-BBZ	-ORB	-PN	-G10	-WN

When placing your order, please combine the item# and the finish code for the complete part#. For example, the part# for 96mm c/c pull in a Antique Silver finish is AM53702 + -AS = AM53702-AS (complete part#).



**AMEROCK®**

**Kontur Series**

Material: Zinc | Finish Guide: See Pg. 132-133



Item #	Size	Finish
AM36564-G10	3" c/c	Satin Nickel

**Lattice Series**

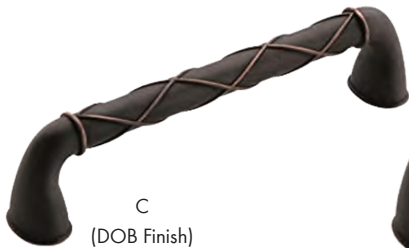
Material: Zinc | Finish Guide: See Pg. 132-133



A  
(DOB Finish)



B  
(SN Finish)



C  
(DOB Finish)



D  
(DOB Finish)



E  
(DOB Finish)

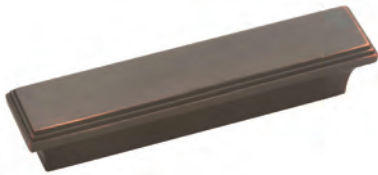
	Size	Dark Oiled Bronze Item #	Satin Nickel Item #
A	1-3/8" Dia.	AM24234-DOB	-
B	1-3/4" Dia.	-	AM55420-2-SN
C	96mm c/c	AM24235-DOB	-
D	128mm c/c	AM55422-DOB	-
E	160mm c/c	AM55423-DOB	-

A  
B  
C  
D  
E  
F  
G  
H  
I  
J  
K  
L  
M  
N  
O  
P  
Q  
R  
S  
T  
U  
V  
W  
X  
Y

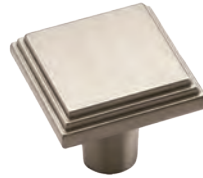
**A AMEROCK®**

**B Manor Series**

Material: Zinc | Finish Guide: See Pg. 132-133



A (ORB Finish)



B (G10 Finish)



C (ORB Finish)



D (26 Finish)



E (PN Finish)



F (G10 Finish)



G (G10 Finish)

	Size	Item #	Oil Rubbed Bronze	Polished Chrome	Polished Nickel	Satin Nickel
A	3" c/c	AM26116	-ORB	-26	-	-G10
B	1" Sq.	AM26117	-	-	-	-G10
C	1-1/2" L	AM26127	-ORB	-	-	-G10
D	3" c/c	AM26130	-	-26	-PN	-G10
E	96mm c/c	AM26137	-ORB	-	-PN	-G10
F	128mm c/c	AM26138	-	-	-	-G10
G	1-7/16" Sq.	AM26139-2	-	-	-PN	-G10

When placing your order, please combine the item# and the finish code for the complete part#. For example, the part# for 96mm c/c pull in a Oil Rubbed Bronze finish is AM26137 + -ORB = AM26137-ORB (complete part#).

**AMEROCK®**

**Mergence Series**

Material: Zinc | Finish Guide: See Pg. 132-133



	Item #	Size	Finish
A	AM36857-FB26	1-3/8" Dia.	Polished Chrome
	AM36857-FBCZ	1-3/8" Dia.	Champagne Bronze
	AM36857-FBG10	1-3/8" Dia.	Satin Nickel
B	AM36858-FB26	96mm c/c	Polished Chrome
	AM36858-FBCZ	96mm c/c	Champagne Bronze
	AM36858-FBG10	96mm c/c	Satin Nickel
C	AM36859-FB26	128mm c/c	Polished Chrome
	AM36859-FBCZ	128mm c/c	Champagne Bronze
	AM36859-FBG10	128mm c/c	Satin Nickel

	Item #	Size	Finish
D	AM36860-FB26	160mm c/c	Polished Chrome
	AM36860-FBCZ	160mm c/c	Champagne Bronze
	AM36860-FBG10	160mm c/c	Satin Nickel
E	AM36861-FB26	224mm c/c	Polished Chrome
	AM36861-FBCZ	224mm c/c	Champagne Bronze
	AM36861-FBG10	224mm c/c	Satin Nickel

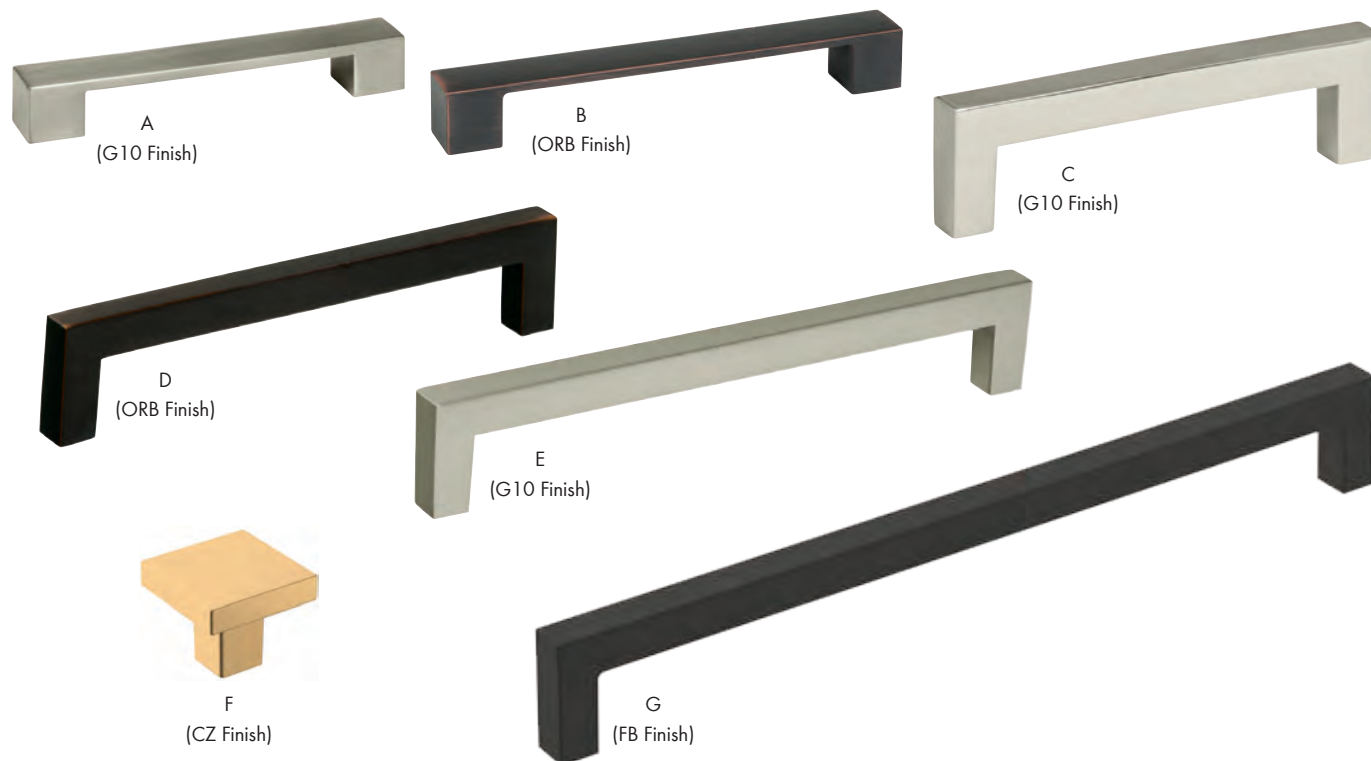
A  
B  
C  
D  
E  
F  
G  
H  
I  
J  
K  
L  
M  
N  
O  
P  
Q  
R  
S  
T  
U  
V  
W  
X  
Y

**A AMEROCK®**

**B Monument Series**



Material: Zinc | Finish Guide: See Pg. 132-133



	Item #	Size	Finish
A	AM36568-G10	128mm c/c	Satin Nickel
	AM36568-ORB	128mm c/c	Oil Rubbed Bronze
	AM36568-PN	128mm c/c	Polished Nickel
B	AM36569-G10	160mm c/c	Satin Nickel
	AM36569-ORB	160mm c/c	Oil Rubbed Bronze
	AM36569-PN	160mm c/c	Polished Nickel
C	AM36570-26	96mm c/c	Polished Chrome
	AM36570-CZ	96mm c/c	Champagne Bronze
	AM36570-FB	96mm c/c	Matte Black
	AM36570-G10	96mm c/c	Satin Nickel
	AM36570-ORB	96mm c/c	Oil Rubbed Bronze
	AM36570-PN	96mm c/c	Polished Nickel
	AM36571-26	128mm c/c	Polished Chrome
D	AM36571-CZ	128mm c/c	Champagne Bronze
	AM36571-FB	128mm c/c	Matte Black
	AM36571-G10	128mm c/c	Satin Nickel
	AM36571-ORB	128mm c/c	Oil Rubbed Bronze
	AM36571-PN	128mm c/c	Polished Nickel

	Item #	Size	Finish
E	AM36572-26	160mm c/c	Polished Chrome
	AM36572-CZ	160mm c/c	Champagne Bronze
	AM36572-FB	160mm c/c	Matte Black
	AM36572-G10	160mm c/c	Satin Nickel
	AM36572-ORB	160mm c/c	Oil Rubbed Bronze
	AM36572-PN	160mm c/c	Polished Nickel
	F	AM36905-26	1-3/16" Sq.
AM36905-CZ		1-3/16" Sq.	Champagne Bronze
AM36905-FB		1-3/16" Sq.	Matte Black
AM36905-G10		1-3/16" Sq.	Satin Nickel
AM36905-ORB		1-3/16" Sq.	Oil Rubbed Bronze
AM36909-26		224mm c/c	Polished Chrome
G	AM36909-CZ	224mm c/c	Champagne Bronze
	AM36909-FB	224mm c/c	Matte Black
	AM36909-G10	224mm c/c	Satin Nickel
	AM36909-ORB	224mm c/c	Oil Rubbed Bronze
	AM36909-PN	224mm c/c	Polished Nickel

**AMEROCK®**

**Mulholland Series**

Material: Zinc | Finish Guide: See Pg. 132-133



	Size	Item #	Antique Rustic	Black Bronze	Gilded Bronze	Golden Champagne	Gun-metal	Oil Rubbed Bronze	Polished Nickel	Satin Nickel	Venetian Bronze
A	1-1/4" L	AM53029	-ART	-BBR	-GB	-BBZ	-GM	-ORB	-PN	-G10	-VB
B	3" c/c	AM53030	-	-BBR	-GB	-BBZ	-GM	-ORB	-PN	-G10	-
C	96mm c/c	AM53031	-	-BBR	-GB	-BBZ	-GM	-ORB	-PN	-G10	-
D	128mm c/c	AM53529	-	-BBR	-GB	-BBZ	-GM	-ORB	-PN	-G10	-
E	160mm c/c	AM53530	-	-BBR	-GB	-BBZ	-GM	-ORB	-PN	-G10	-
F	8" c/c	AM53531	-	-BBR	-GB	-BBZ	-	-ORB	-PN	-G10	-
G	12" c/c	AM53532	-	-BBR	-GB	-BBZ	-	-ORB	-PN	-G10	-
H	18" c/c	AM53533	-	-BBR	-GB	-BBZ	-	-ORB	-PN	-G10	-
I	1-1/2"L	AM53534-2	-	-BBR	-	-BBZ	-	-ORB	-PN	-G10	-

When placing your order, please combine the item# and the finish code for the complete part#. For example, the part# for 96mm c/c pull in a Black Bronze finish is AM53529 + -BBR = AM53529-BBR (complete part#).

A  
B  
C  
D  
E  
F  
G  
H  
I  
J  
K  
L  
M  
N  
O  
P  
Q  
R  
S  
T  
U  
V  
W  
X  
Y

**A AMEROCK®**

**Oberon Series**

Material: Zinc

Finish Guide: See Pg. 132-133



A  
(G10 Finish)



B  
(GMFA Finish)  
(Frosted Insert)

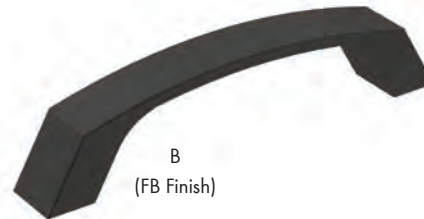
	Size	Golden Champagne Item #	Satin Nickel Item #	Gunmetal Item #	Matte Black Item #	Polished Nickel Item #
A	1-3/8" Dia.	AM36603-BBZ	AM36603-G10	AM36603-GM	AM36603-MB	AM36603-PN
	1-3/4" Dia.	AM36604-BBZ	AM36604-G10	AM36604-GM	-	AM36604-PN
B	1-3/8" Dia.	AM36608-BBZFA	AM36608-G10FA	AM36608-GMFA	AM36608-MBFA	AM36608-PNFA
	1-3/4" Dia.	AM36609-BBZFA	AM36609-G10FA	AM36609-GMFA	-	AM36609-PNFA

**Premise Series**

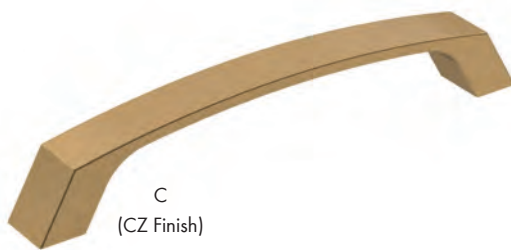
Material: Zinc | Finish Guide: See Pg. 132-133



A  
(26 Finish)



B  
(FB Finish)



C  
(CZ Finish)



D  
(G10 Finish)

	Item #	Size	Finish
A	AM36843-26	1-1/4" Dia.	Polished Chrome
	AM36843-CZ	1-1/4" Dia.	Champagne Bronze
	AM36843-FB	1-1/4" Dia.	Matte Black
	AM36843-G10	1-1/4" Dia.	Satin Nickel
B	AM36844-26	96mm c/c	Polished Chrome
	AM36844-CZ	96mm c/c	Champagne Bronze
	AM36844-FB	96mm c/c	Matte Black
	AM36844-G10	96mm c/c	Satin Nickel

	Item #	Size	Finish
C	AM36845-26	128mm c/c	Polished Chrome
	AM36845-CZ	128mm c/c	Champagne Bronze
	AM36845-FB	128mm c/c	Matte Black
	AM36845-G10	128mm c/c	Satin Nickel
	D	AM36846-26	160mm c/c
AM36846-CZ		160mm c/c	Champagne Bronze
AM36846-FB		160mm c/c	Matte Black
AM36846-G10		160mm c/c	Satin Nickel

**AMEROCK®**

**Radius Series**

Material: Zinc | Finish Guide: See Pg. 132-133



	Item #	Size	Finish
A	AM36864-26	1-1/4" Dia.	Polished Chrome
	AM36864-CZ	1-1/4" Dia.	Champagne Bronze
	AM36864-FB	1-1/4" Dia.	Matte Black
	AM36864-G10	1-1/4" Dia.	Satin Nickel
	AM36864-ORB	1-1/4" Dia.	Oil Rubbed Bronze
B	AM36865-26	96mm c/c	Polished Chrome
	AM36865-CZ	96mm c/c	Champagne Bronze
	AM36865-FB	96mm c/c	Matte Black
	AM36865-G10	96mm c/c	Satin Nickel
	AM36865-ORB	96mm c/c	Oil Rubbed Bronze
C	AM36866-26	128mm c/c	Polished Chrome
	AM36866-CZ	128mm c/c	Champagne Bronze
	AM36866-FB	128mm c/c	Matte Black
	AM36866-G10	128mm c/c	Satin Nickel
	AM36866-ORB	128mm c/c	Oil Rubbed Bronze

	Item #	Size	Finish
D	AM36867-26	160mm c/c	Polished Chrome
	AM36867-CZ	160mm c/c	Champagne Bronze
	AM36867-FB	160mm c/c	Matte Black
	AM36867-G10	160mm c/c	Satin Nickel
	AM36867-ORB	160mm c/c	Oil Rubbed Bronze
E	AM36868-26	192mm c/c	Polished Chrome
	AM36868-CZ	192mm c/c	Champagne Bronze
	AM36868-FB	192mm c/c	Matte Black
	AM36868-G10	192mm c/c	Satin Nickel
	AM36868-ORB	192mm c/c	Oil Rubbed Bronze
F	AM36869-26	256mm c/c	Polished Chrome
	AM36869-CZ	256mm c/c	Champagne Bronze
	AM36869-FB	256mm c/c	Matte Black
	AM36869-G10	256mm c/c	Satin Nickel
	AM36869-ORB	256mm c/c	Oil Rubbed Bronze

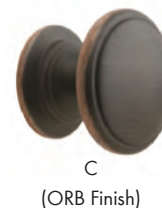
A  
B  
C  
D  
E  
F  
G  
H  
I  
J  
K  
L  
M  
N  
O  
P  
Q  
R  
S  
T  
U  
V  
W  
X  
Y

A  
B  
C  
D  
E  
F  
G  
H  
I  
J  
K  
L  
M  
N  
O  
P  
Q  
R  
S  
T  
U  
V  
W  
X  
Y

# AMEROCK®

## Ravino Series

Material: Zinc | Finish Guide: See Pg. 132-133



	Item #	Size	Finish
A	AM21935-26	3" c/c	Polished Chrome
	AM21935-FB	3" c/c	Matte Black
	AM21935-G10	3" c/c	Satin Nickel
	AM21935-ORB	3" c/c	Oil-Rubbed Bronze
B	AM22094-26	3" c/c	Polished Chrome
	AM22094-FB	3" c/c	Matte Black
	AM22094-G10	3" c/c	Satin Nickel
	AM22094-ORB	3" c/c	Oil-Rubbed Bronze

	Item #	Size	Finish
C	AM53012-26	1-1/4" Dia.	Polished Chrome
	AM53012-3	1-1/4" Dia.	Polished Brass
	AM53012-AS	1-1/4" Dia.	Antique Silver
	AM53012-BN	1-1/4" Dia.	Black Nickel
	AM53012-FB	1-1/4" Dia.	Matte Black
	AM53012-G10	1-1/4" Dia.	Satin Nickel
	AM53012-ORB	1-1/4" Dia.	Oil-Rubbed Bronze

## Reflections Series

Material: Zinc | Finish Guide: See Pg. 132-133



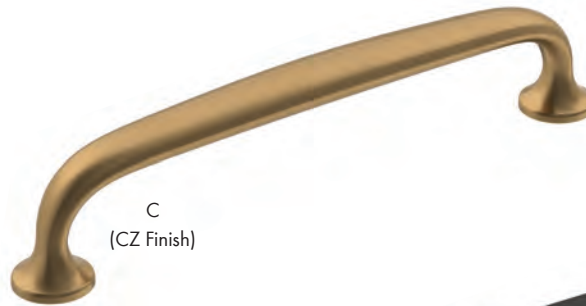
	Item #	Size	Finish
A	AM1387-26	1-1/4" Dia.	Polished Chrome
	AM1387-ART	1-1/4" Dia.	Antique Rust
	AM1387-G10	1-1/4" Dia.	Satin Nickel



**AMEROCK®**

**Renown Series**

Material: Zinc | Finish Guide: See Pg. 132-133



	Item #	Size	Finish
A	AM36793-26	1-1/4" Dia.	Polished Chrome
	AM36793-CZ	1-1/4" Dia.	Champagne Bronze
	AM36793-FB	1-1/4" Dia.	Matte Black
	AM36793-G10	1-1/4" Dia.	Satin Nickel
	AM36793-ORB	1-1/4" Dia.	Oil Rubbed Bronze
B	AM36794-26	96mm c/c	Polished Chrome
	AM36794-CZ	96mm c/c	Champagne Bronze
	AM36794-FB	96mm c/c	Matte Black
	AM36794-G10	96mm c/c	Satin Nickel
	AM36794-ORB	96mm c/c	Oil Rubbed Bronze

	Item #	Size	Finish
C	AM36795-26	128mm c/c	Polished Chrome
	AM36795-CZ	128mm c/c	Champagne Bronze
	AM36795-FB	128mm c/c	Matte Black
	AM36795-G10	128mm c/c	Satin Nickel
	AM36795-ORB	128mm c/c	Oil Rubbed Bronze
D	AM36796-26	160mm c/c	Polished Chrome
	AM36796-CZ	160mm c/c	Champagne Bronze
	AM36796-FB	160mm c/c	Matte Black
	AM36796-G10	160mm c/c	Satin Nickel
	AM36796-ORB	160mm c/c	Oil Rubbed Bronze

A  
B  
C  
D  
E  
F  
G  
H  
I  
J  
K  
L  
M  
N  
O  
P  
Q  
R  
S  
T  
U  
V  
W  
X  
Y

A  
B  
C  
D  
E  
F  
G  
H  
I  
J  
K  
L  
M  
N  
O  
P  
Q  
R  
S  
T  
U  
V  
W  
X  
Y

**AMEROCK®**

**Revitalize Series**

Material: Zinc | Finish Guide: See Pg. 132-133



A (BBZ Finish)



B (ORB Finish)



C (PN Finish)



D (PN Finish)



E (GM Finish)



F (BBR Finish)



G (ORB Finish)



H (BBZ Finish)



I (G10 Finish)



J (GB Finish)



K (ORB Finish)



L (G10 Finish)

	Size	Item #	Black Bronze	Caramel Bronze	Gilded Bronze	Golden Champagne	Gun-metal	Oil Rubbed Bronze	Polished Nickel	Satin Nickel	Venetian Bronze
A	1-3/8" Dia.	AM36628	-BBR	-	-	-BBZ	-	-ORB	-PN	-G10	-
B	1-3/4" Dia.	AM36629	-BBR	-	-	-BBZ	-	-ORB	-PN	-G10	-
C	1-1/4" x 1"	AM55340	-BBR	-CBZ	-GB	-BBZ	-GM	-ORB	-PN	-G10	-VB
D	1-1/4" Dia.	AM55341	-	-	-	-	-	-ORB	-PN	-	-
E	1-1/4" Dia.	AM55342	-BBR	-	-GB	-BBZ	-GM	-ORB	-PN	-G10	-VB
F	3" c/c	AM55343	-BBR	-	-GB	-BBZ	-GM	-ORB	-PN	-G10	-
G	96mm c/c	AM55344	-BBR	-	-GB	-BBZ	-GM	-ORB	-PN	-G10	-
H	128mm c/c	AM55346	-BBR	-	-GB	-BBZ	-GM	-ORB	-PN	-G10	-
I	160mm c/c	AM55347	-BBR	-	-GB	-BBZ	-GM	-ORB	-PN	-G10	-
J	8" c/c	AM55348	-BBR	-	-GB	-BBZ	-	-ORB	-PN	-G10	-
K	12" c/c	AM55349	-BBR	-	-GB	-BBZ	-	-ORB	-PN	-G10	-
L	18" c/c	AM55350	-BBR	-	-GB	-BBZ	-	-ORB	-PN	-G10	-

When placing your order, please combine the item# and the finish code for the complete part#. For example, the part# for 96mm c/c pull in a Black Bronze finish is AM55344 + -BBR = AM55344-BBR (complete part#).

**AMEROCK®**

**Rift Series**

Material: Zinc | Finish Guide: See Pg. 132-133



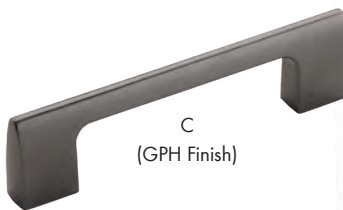
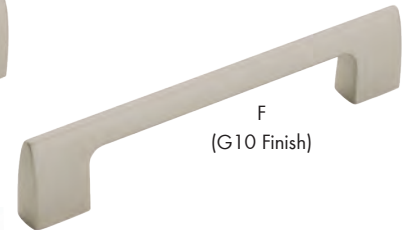
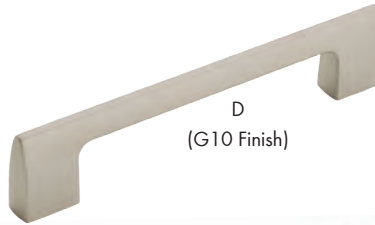
	Item #	Size	Finish
A	AM36899-26	3-3/4" c/c	Polished Chrome
	AM36899-FB	3-3/4" c/c	Matte Black
	AM36899-G10	3-3/4" c/c	Satin Nickel

	Item #	Size	Finish
B	AM36900-26	128mm c/c	Polished Chrome
	AM36900-FB	128mm c/c	Matte Black
	AM36900-G10	128mm c/c	Satin Nickel

**Riva Series**

Material: Zinc

Finish Guide: See Pg. 132-133



	Item #	Size	Finish
A	AM55360-G10	1-1/8" Length	Satin Nickel
	AM55360-GPH	1-1/8" Length	Graphite
B	AM55364-G10	3" c/c	Satin Nickel
	AM55364-GPH	3" c/c	Graphite
C	AM55365-G10	96mm c/c	Satin Nickel
	AM55365-GPH	96mm c/c	Graphite

	Item #	Size	Finish
D	AM55367-G10	128mm c/c	Satin Nickel
	AM55367-GPH	128mm c/c	Graphite
E	AM55368-G10	160mm c/c	Satin Nickel
	AM55368-GPH	160mm c/c	Graphite
F	AM55369-G10	8" c/c	Satin Nickel
	AM55369-GPH	8" c/c	Graphite

A  
B  
C  
D  
E  
F  
G  
H  
I  
J  
K  
L  
M  
N  
O  
P  
Q  
R  
S  
T  
U  
V  
W  
X  
Y

A  
B  
C  
D  
E  
F  
G  
H  
I  
J  
K  
L  
M  
N  
O  
P  
Q  
R  
S  
T  
U  
V  
W  
X  
Y

**AMEROCK®**

**Rochdale Series**

Material: Zinc  
Finish Guide: See Pg. 132-133



	Size	Graphite Item #	Satin Nickel Item #
A	1-1/4" Dia.	AM53710-GPH	AM53710-G10
B	3" c/c	AM53711-GPH	AM53711-G10
C	96mm c/c	AM53712-GPH	AM53712-G10
D	128mm c/c	AM53713-GPH	AM53713-G10
E	160mm c/c	AM53714-GPH	AM53714-G10
F	3" c/c	AM53715-GPH	AM53715-G10
G	96mm c/c	AM53716-GPH	AM53716-G10
H	12" c/c	-	AM54021-G10
I	18" c/c	AM54022-GPH	AM54022-G10

**Sea Grass Series**

Material: Zinc | Finish Guide: See Pg. 132-133

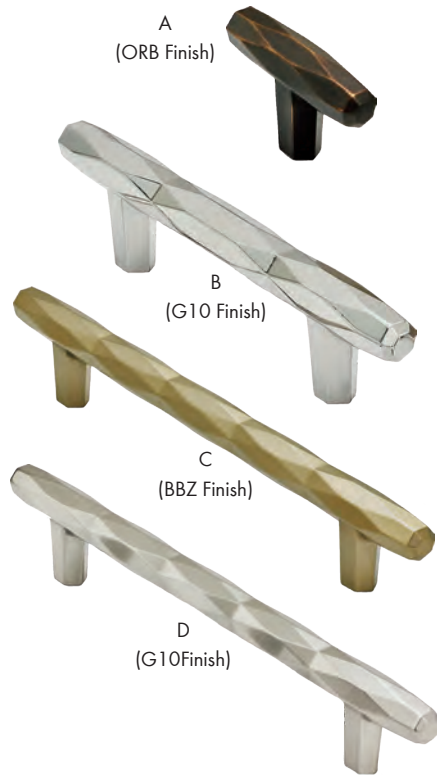


	Item #	Size	Finish
A	AM36614-BBZ	1-1/2" Length	Golden Champagne
	AM36614-G10	1-1/2" Length	Satin Nickel
	AM36614-ORB	1-1/2" Length	Oil Rubbed Bronze
B	AM36615-BBZ	3" c/c	Golden Champagne
	AM36615-G10	3" c/c	Satin Nickel
	AM36615-ORB	3" c/c	Oil Rubbed Bronze
C	AM36617-BBZ	1-3/4" Length	Golden Champagne
	AM36617-G10	1-3/4" Length	Satin Nickel
	AM36617-ORB	1-3/4" Length	Oil Rubbed Bronze
D	AM36621-BBZ	96mm c/c	Golden Champagne
	AM36621-G10	96mm c/c	Satin Nickel
	AM36621-ORB	96mm c/c	Oil Rubbed Bronze
E	AM36622-BBZ	128mm c/c	Golden Champagne
	AM36622-G10	128mm c/c	Satin Nickel
	AM36622-ORB	128mm c/c	Oil Rubbed Bronze
F	AM36623-BBZ	160mm c/c	Golden Champagne
	AM36623-G10	160mm c/c	Satin Nickel
	AM36623-ORB	160mm c/c	Oil Rubbed Bronze

**AMEROCK®**

**St. Vincent Series**

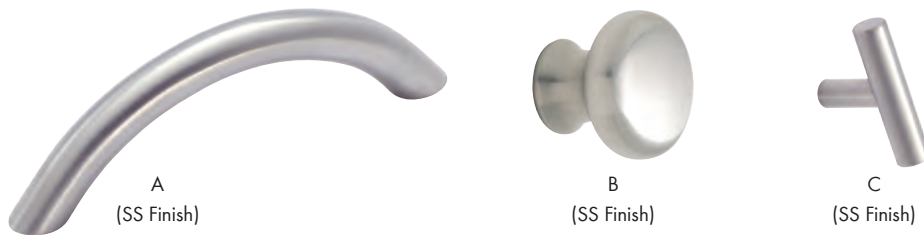
Material: Zinc | Finish Guide: See Pg. 132-133



	Item #	Size	Finish
A	AM36642-BBR	2-1/2" Length	Black Bronze
	AM36642-BBZ	2-1/2" Length	Golden Champagne
	AM36642-G10	2-1/2" Length	Satin Nickel
	AM36642-ORB	2-1/2" Length	Oil Rubbed Bronze
	AM36642-PN	2-1/2" Length	Polished Nickel
B	AM36643-BBR	96mm c/c	Black Bronze
	AM36643-BBZ	96mm c/c	Golden Champagne
	AM36643-G10	96mm c/c	Satin Nickel
	AM36643-ORB	96mm c/c	Oil Rubbed Bronze
	AM36643-PN	96mm c/c	Polished Nickel
C	AM36644-BBR	128mm c/c	Black Bronze
	AM36644-BBZ	128mm c/c	Golden Champagne
	AM36644-G10	128mm c/c	Satin Nickel
	AM36644-ORB	128mm c/c	Oil Rubbed Bronze
	AM36644-PN	128mm c/c	Polished Nickel
D	AM36645-BBR	160mm c/c	Black Bronze
	AM36645-BBZ	160mm c/c	Golden Champagne
	AM36645-G10	160mm c/c	Satin Nickel
	AM36645-ORB	160mm c/c	Oil Rubbed Bronze
	AM36645-PN	160mm c/c	Polished Nickel

**Stainless Steel Series**

Material: Stainless Steel | Finish Guide: See Pg. 132-133



	Item #	Size	Finish
A	AM19001-SS	3" c/c	Stainless Steel
	AM19002-SS	96mm c/c	Stainless Steel
	AM19003-SS	128mm c/c	Stainless Steel
	AM19004-SS	160mm c/c	Stainless Steel
	AM19005-SS	192mm c/c	Stainless Steel
B	AM19008-SS	1-1/4" Dia.	Stainless Steel
C	AM19009-SS	49mm L	Stainless Steel

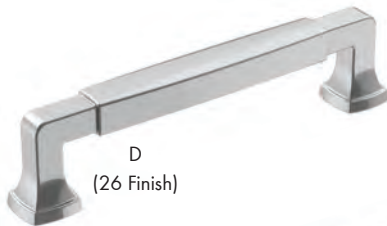
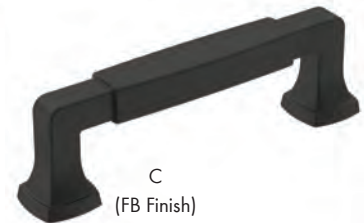
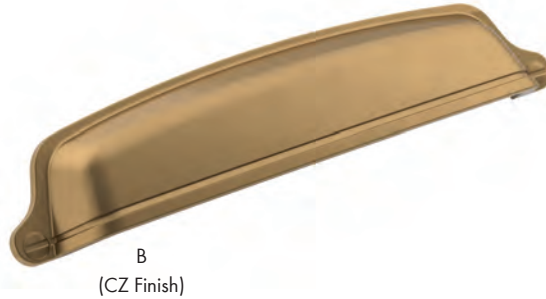
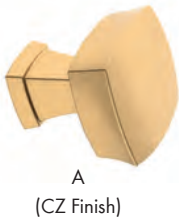
A  
B  
C  
D  
E  
F  
G  
H  
I  
J  
K  
L  
M  
N  
O  
P  
Q  
R  
S  
T  
U  
V  
W  
X  
Y

A  
B  
C  
D  
E  
F  
G  
H  
I  
J  
K  
L  
M  
N  
O  
P  
Q  
R  
S  
T  
U  
V  
W  
X  
Y

**AMEROCK®**

**Stature Series**

Material: Zinc | Finish Guide: See Pg. 132-133



	Item #	Size	Finish
A	AM11287-26	1-1/4" Length	Polished Chrome
	AM11287-CZ	1-1/4" Length	Champagne Bronze
	AM11287-FB	1-1/4" Length	Matte Black
	AM11287-G10	1-1/4" Length	Satin Nickel
	AM11287-ORB	1-1/4" Length	Oil Rubbed Bronze
B	AM22439-26	128mm c/c	Polished Chrome
	AM22439-CZ	128mm c/c	Champagne Bronze
	AM22439-FB	128mm c/c	Matte Black
	AM22439-G10	128mm c/c	Satin Nickel
	AM22439-ORB	128mm c/c	Oil Rubbed Bronze
C	AM36887-26	96mm c/c	Polished Chrome
	AM36887-CZ	96mm c/c	Champagne Bronze
	AM36887-FB	96mm c/c	Matte Black
	AM36887-G10	96mm c/c	Satin Nickel
	AM36887-ORB	96mm c/c	Oil Rubbed Bronze

	Item #	Size	Finish
D	AM36888-26	128mm c/c	Polished Chrome
	AM36888-CZ	128mm c/c	Champagne Bronze
	AM36888-FB	128mm c/c	Matte Black
	AM36888-G10	128mm c/c	Satin Nickel
	AM36888-ORB	128mm c/c	Oil Rubbed Bronze
E	AM36889-26	160mm c/c	Polished Chrome
	AM36889-CZ	160mm c/c	Champagne Bronze
	AM36889-FB	160mm c/c	Matte Black
	AM36889-G10	160mm c/c	Satin Nickel
	AM36889-ORB	160mm c/c	Oil Rubbed Bronze
F	AM36890-26	224mm c/c	Polished Chrome
	AM36890-CZ	224mm c/c	Champagne Bronze
	AM36890-FB	224mm c/c	Matte Black
	AM36890-G10	224mm c/c	Satin Nickel
	AM36890-ORB	224mm c/c	Oil Rubbed Bronze

**AMEROCK®**

**Status Series**

Material: Zinc | Finish Guide: See Pg. 132-133



	Item #	Size	Finish
A	AM36836-26	2" Length	Polished Chrome
	AM36836-FB	2" Length	Matte Black
	AM36836-G10	2" Length	Satin Nickel
B	AM36837-26	96mm c/c	Polished Chrome
	AM36837-FB	96mm c/c	Matte Black
	AM36837-G10	96mm c/c	Satin Nickel
C	AM36838-26	128mm c/c	Polished Chrome
	AM36838-FB	128mm c/c	Matte Black
	AM36838-G10	128mm c/c	Satin Nickel

	Item #	Size	Finish
D	AM36839-26	160mm c/c	Polished Chrome
	AM36839-FB	160mm c/c	Matte Black
	AM36839-G10	160mm c/c	Satin Nickel
E	AM36840-26	224mm c/c	Polished Chrome
	AM36840-FB	224mm c/c	Matte Black
	AM36840-G10	224mm c/c	Satin Nickel

**Revolve Series**

Material: Zinc | Finish Guide: See Pg. 132-133



	Item #	Size	Finish
A	AM36852-26	96mm c/c	Polished Chrome
	AM36852-FB	96mm c/c	Matte Black
	AM36852-G10	96mm c/c	Satin Nickel
B	AM36853-26	128mm c/c	Polished Chrome
	AM36853-FB	128mm c/c	Matte Black
	AM36853-G10	128mm c/c	Satin Nickel

	Item #	Size	Finish
C	AM36854-26	160mm c/c	Polished Chrome
	AM36854-FB	160mm c/c	Matte Black
	AM36854-G10	160mm c/c	Satin Nickel

A  
B  
C  
D  
E  
F  
G  
H  
I  
J  
K  
L  
M  
N  
O  
P  
Q  
R  
S  
T  
U  
V  
W  
X  
Y

A  
B  
C  
D  
E  
F  
G  
H  
I  
J  
K  
L  
M  
N  
O  
P  
Q  
R  
S  
T  
U  
V  
W  
X  
Y

**AMEROCK®**

**Surpass Series**

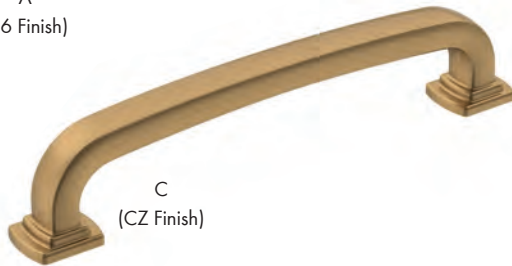
Material: Zinc | Finish Guide: See Pg. 132-133



A  
(26 Finish)



B  
(G10 Finish)



C  
(CZ Finish)



D  
(FB Finish)

	Item #	Size	Finish
A	AM36893-26	1-1/4" Dia.	Polished Chrome
	AM36893-CZ	1-1/4" Dia.	Champagne Bronze
	AM36893-FB	1-1/4" Dia.	Matte Black
	AM36893-G10	1-1/4" Dia.	Satin Nickel
B	AM36894-26	96mm c/c	Polished Chrome
	AM36894-CZ	96mm c/c	Champagne Bronze
	AM36894-FB	96mm c/c	Matte Black
	AM36894-G10	96mm c/c	Satin Nickel

	Item #	Size	Finish
C	AM36895-26	128mm c/c	Polished Chrome
	AM36895-CZ	128mm c/c	Champagne Bronze
	AM36895-FB	128mm c/c	Matte Black
	AM36895-G10	128mm c/c	Satin Nickel
D	AM36896-26	160mm c/c	Polished Chrome
	AM36896-CZ	160mm c/c	Champagne Bronze
	AM36896-FB	160mm c/c	Matte Black
	AM36896-G10	160mm c/c	Satin Nickel

**Swirl'z Series**

Material: Zinc | Finish Guide: See Pg. 132-133



A  
(G10 Finish)



B  
(G10 Finish)



C  
(ORB Finish)

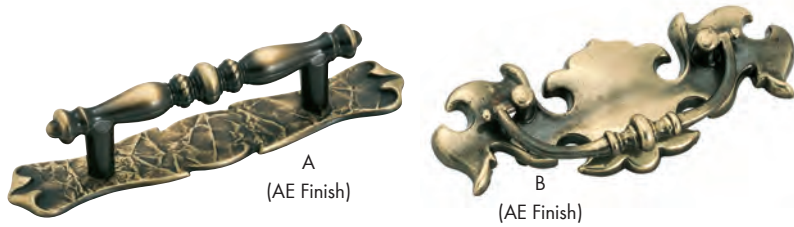
	Item #	Size	Finish
A	AM9337-G10	3" c/c	Satin Nickel
B	AM9338-G10	1-1/8" Dia.	Satin Nickel
	AM9338-WID	1-1/8" Dia.	Wrought Iron Dark
C	AM9339-ORB	1-1/8" Length	Oil Rubbed Bronze



**AMEROCK®**

**Traditional Series**

Material: Zinc | Finish Guide: See Pg. 132-133



	Item #	Size	Finish
A	AM176C-AE	3" c/c	Antique English
B	AM766-AE	2-1/2" c/c	Antique English

**Traditional Series**

Material: Tempered Glass, Zinc Base | Finish Guide: See Pg. 132-133



	Item #	Size	Finish
A	AM55266-CG10	1-1/16" Dia.	Clear Glass w/Satin Nickel
B	AM55268-CBBZ	1-5/16" Dia.	Clear Glass w/Gold Champagne
	AM55268-CBBR	1-5/16" Dia.	Clear Glass w/Black Bronze
	AM55268-CG10	1-5/16" Dia.	Clear Glass w/Satin Nickel
	AM55268-CGB	1-5/16" Dia.	Clear Glass w/Gilded Bronze
	AM55268-CORB	1-5/16" Dia.	Clear Glass w/Oil Rubbed Bronze
	AM55268C-PN	1-5/16" Dia.	Clear Glass w/Polished Nickel
C	AM14303-ORB	1-1/4"	Clear Acrylic/Oil Rubbed Bronze

**Uprise Series**

Material: Zinc | Finish Guide: See Pg. 132-133



	Item #	Size	Finish
A	AM36917-26	96mm c/c	Polished Chrome
	AM36917-CZ	96mm c/c	Champagne Bronze
	AM36917-FB	96mm c/c	Matte Black
	AM36917-G10	96mm c/c	Satin Nickel
B	AM36918-26	128mm c/c	Polished Chrome
	AM36918-CZ	128mm c/c	Champagne Bronze
	AM36918-FB	128mm c/c	Matte Black
	AM36918-G10	128mm c/c	Satin Nickel

	Item #	Size	Finish
C	AM36919-26	192mm c/c	Polished Chrome
	AM36919-CZ	192mm c/c	Champagne Bronze
	AM36919-FB	192mm c/c	Matte Black
	AM36919-G10	192mm c/c	Satin Nickel
	AM36920-26	224mm c/c	Polished Chrome
D	AM36920-CZ	224mm c/c	Champagne Bronze
	AM36920-FB	224mm c/c	Matte Black
	AM36920-G10	224mm c/c	Satin Nickel

A  
B  
C  
D  
E  
F  
G  
H  
I  
J  
K  
L  
M  
N  
O  
P  
Q  
R  
S  
T  
U  
V  
W  
X  
Y

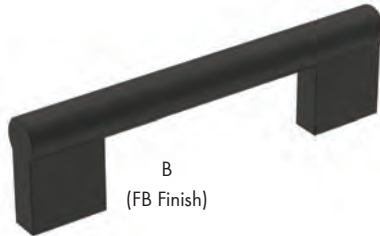
**A AMEROCK®**

**Versa Series**

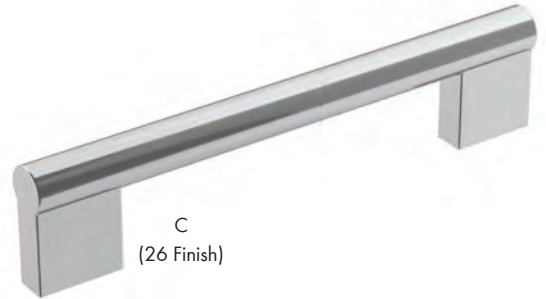
Material: Zinc | Finish Guide: See Pg. 132-133



A  
(CZ Finish)



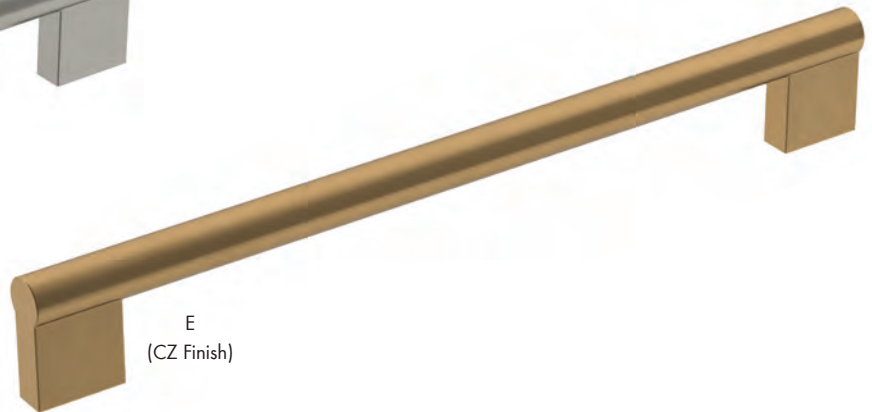
B  
(FB Finish)



C  
(26 Finish)



D  
(G10 Finish)



E  
(CZ Finish)

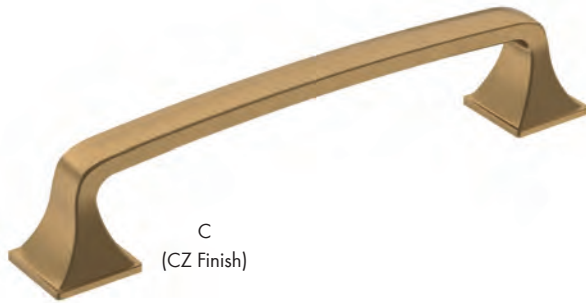
	Item #	Size	Finish
A	AM36904-26	1-3/8" Dia.	Polished Chrome
	AM36904-CZ	1-3/8" Dia.	Champagne Bronze
	AM36904-FB	1-3/8" Dia.	Matte Black
	AM36904-G10	1-3/8" Dia.	Satin Nickel
B	AM36912-26	96mm c/c	Polished Chrome
	AM36912-CZ	96mm c/c	Champagne Bronze
	AM36912-FB	96mm c/c	Matte Black
	AM36912-G10	96mm c/c	Satin Nickel
C	AM36913-26	128mm c/c	Polished Chrome
	AM36913-CZ	128mm c/c	Champagne Bronze
	AM36913-FB	128mm c/c	Matte Black
	AM36913-G10	128mm c/c	Satin Nickel

	Item #	Size	Finish
D	AM36914-26	160mm c/c	Polished Chrome
	AM36914-CZ	160mm c/c	Champagne Bronze
	AM36914-FB	160mm c/c	Matte Black
	AM36914-G10	160mm c/c	Satin Nickel
E	AM36915-26	224mm c/c	Polished Chrome
	AM36915-CZ	224mm c/c	Champagne Bronze
	AM36915-FB	224mm c/c	Matte Black
	AM36915-G10	224mm c/c	Satin Nickel

**AMEROCK®**

**Ville Series**

Material: Zinc | Finish Guide: See Pg. 132-133



	Item #	Size	Finish
A	AM36774-26	1-1/8" Dia.	Polished Chrome
	AM36774-CZ	1-1/8" Dia.	Champagne Bronze
	AM36774-FB	1-1/8" Dia.	Matte Black
	AM36774-G10	1-1/8" Dia.	Satin Nickel
	AM36774-ORB	1-1/8" Dia.	Oil Rubbed Bronze
B	AM36775-26	96mm c/c	Polished Chrome
	AM36775-CZ	96mm c/c	Champagne Bronze
	AM36775-FB	96mm c/c	Matte Black
	AM36775-G10	96mm c/c	Satin Nickel
	AM36775-ORB	96mm c/c	Oil Rubbed Bronze

	Item #	Size	Finish
C	AM36776-26	128mm c/c	Polished Chrome
	AM36776-CZ	128mm c/c	Champagne Bronze
	AM36776-FB	128mm c/c	Matte Black
	AM36776-G10	128mm c/c	Satin Nickel
	AM36776-ORB	128mm c/c	Oil Rubbed Bronze
D	AM36777-26	160mm c/c	Polished Chrome
	AM36777-CZ	160mm c/c	Champagne Bronze
	AM36777-FB	160mm c/c	Matte Black
	AM36777-G10	160mm c/c	Satin Nickel
	AM36777-ORB	160mm c/c	Oil Rubbed Bronze

A  
B  
C  
D  
E  
F  
G  
H  
I  
J  
K  
L  
M  
N  
O  
P  
Q  
R  
S  
T  
U  
V  
W  
X  
Y

A  
B  
C  
D  
E  
F  
G  
H  
I  
J  
K  
L  
M  
N  
O  
P  
Q  
R  
S  
T  
U  
V  
W  
X  
Y

**AMEROCK®**

**Wells Series**

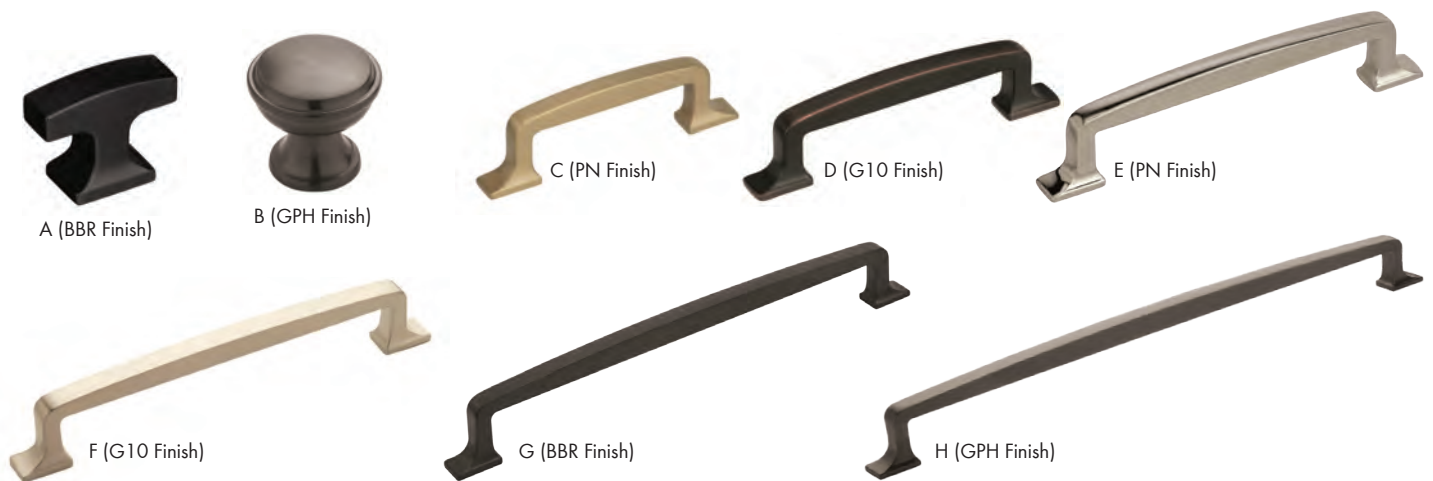
Material: Zinc | Finish Guide: See Pg. 132-133



	Size	Gunmetal Item #	Oil Rubbed Item #	Polished Nickel Item #	Satin Nickel Item #
A	1-1/4"L	AM36546-GM	AM36546-ORB	AM36546-PN	AM36546-G10
B	1-1/2"L	AM36547-GM	-	-	-
C	96mm c/c	AM36548-GM	AM36548-ORB	AM36548-PN	AM36548-G10
D	128mm c/c	AM36549-GM	-	-	AM36549-G10
E	160mm c/c	AM36550-GM	AM36550-ORB	AM36550-PN	-

**Westerly Series**

Material: Zinc | Finish Guide: See Pg. 132-133



	Size	Black Bronze Item #	Graphite Item #	Golden Champagne Item #	Oil Rubbed Brz Item #	Polished Nkl Item #	Satin Nickel Item #
A	1-5/16"L	AM53717-BBR	AM53717-GPH	AM53717-BBZ	AM53717-ORB	AM53717-PN	AM53717-G10
B	1-3/16"L	AM53718-BBR	AM53718-GPH	AM53718-BBZ	AM53718-ORB	AM53718-PN	AM53718-G10
C	3" c/c	AM53719-BBR	AM53719-GPH	AM53719-BBZ	AM53719-ORB	AM53719-PN	AM53719-G10
D	96mm c/c	AM53720-BBR	AM53720-GPH	AM53720-BBZ	AM53720-ORB	AM53720-PN	AM53720-G10
E	128mm c/c	AM53721-BBR	AM53721-GPH	AM53721-BBZ	AM53721-ORB	AM53721-PN	AM53721-G10
F	160mm c/c	AM53722-BBR	AM53722-GPH	AM53722-BBZ	AM53722-ORB	AM53722-PN	AM53722-G10
G	12" c/c	AM54023-BBR	AM54023-GPH	AM54023-BBZ	AM54023-ORB	AM54023-PN	AM54023-G10
H	18" c/c	AM54024-BBR	AM54024-GPH	AM54024-BBZ	AM54024-ORB	AM54024-PN	AM54024-G10

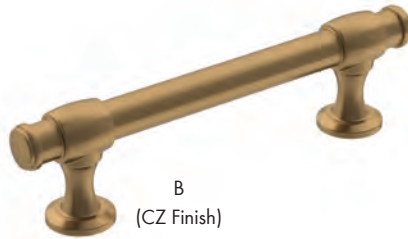
**AMEROCK®**

**Winsome Series**

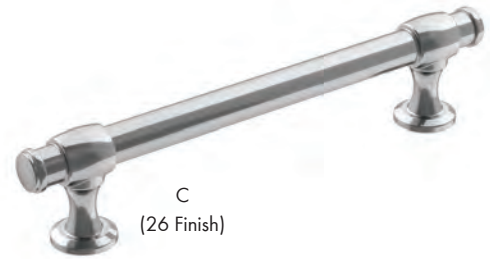
Material: Zinc | Finish Guide: See Pg. 132-133



A  
(ORB Finish)



B  
(CZ Finish)



C  
(26 Finish)



D  
(G10 Finish)



E  
(FB Finish)

	Item #	Size	Finish
A	AM36765-26	1-1/4" Dia.	Polished Chrome
	AM36765-CZ	1-1/4" Dia.	Champagne Bronze
	AM36765-FB	1-1/4" Dia.	Matte Black
	AM36765-G10	1-1/4" Dia.	Satin Nickel
	AM36765-ORB	1-1/4" Dia.	Oil Rubbed Bronze
B	AM36766-26	96mm c/c	Polished Chrome
	AM36766-CZ	96mm c/c	Champagne Bronze
	AM36766-FB	96mm c/c	Matte Black
	AM36766-G10	96mm c/c	Satin Nickel
	AM36766-ORB	96mm c/c	Oil Rubbed Bronze
C	AM36767-26	128mm c/c	Polished Chrome
	AM36767-CZ	128mm c/c	Champagne Bronze
	AM36767-FB	128mm c/c	Matte Black
	AM36767-G10	128mm c/c	Satin Nickel
	AM36767-ORB	128mm c/c	Oil Rubbed Bronze

	Item #	Size	Finish
D	AM36768-26	192mm c/c	Polished Chrome
	AM36768-CZ	192mm c/c	Champagne Bronze
	AM36768-FB	192mm c/c	Matte Black
	AM36768-G10	192mm c/c	Satin Nickel
	AM36768-ORB	192mm c/c	Oil Rubbed Bronze
E	AM36769-26	224mm c/c	Polished Chrome
	AM36769-CZ	224mm c/c	Champagne Bronze
	AM36769-FB	224mm c/c	Matte Black
	AM36769-G10	224mm c/c	Satin Nickel
	AM36769-ORB	224mm c/c	Oil Rubbed Bronze

**A AMEROCK® METALLIC FINISH OPTIONS**

B  
C  
D  
E  
F  
G  
H  
I  
J  
K  
L  
M  
N  
O  
P  
Q  
R  
S  
T  
U  
V  
W  
X  
Y

**Silver Tones**



Polished Chrome (26) (CH)    Polished Nickel (PN)    Satin Nickel Matte (SN)    Sterling Nickel (G9)    Silver (S)    Satin Nickel (G10)



Stainless Steel (SS)    Anodized Aluminum (AA)    Brushed Chrome (26D) (SCH)    Antique Silver (AS)    Aged Pewter (AP)    Antique Nickel (AN)



Weathered Nickel (WN)    Weathered Nickel Copper (WNC)

**Gold Tones**



Golden Champagne (BBZ)    Polished Brass (3) (B) (PB)    Gilded Bronze (GB)    Antique English (AE)    Elegant Brass (EB)    Burnished Brass (BB)



Burnished Brass (077)    Antique Brass (ABS)    Light Antique Brass (LB)    Distressed Brass (DBS)    Champagne Bronze (CZ)    Rustic Brass (R3)

**AMEROCK® METALLIC FINISH OPTIONS**

**Brown Tones**



Antique Copper (AC)



Weathered Copper (WC)



Rustic Bronze (RBZ)



Caramel Bronze (CBZ)



Antique Rust (ART)



Roman Bronze (RB)



Venetian Bronze (VB)



Oil-Rubbed Bronze (ORB)



Dark Oiled Bronze (DOB)

**Black Tones**



Wrought Iron (WI)



Wrought Iron Dark (WID)



Pewter (PWT)



Gunmetal (GM)



Graphite (GPH)



Black Nickel (BN) (BNB)



Black Bronze (BBR)



Flat Black (FB)



Colonial Black (CB)

A  
B  
C  
D  
E  
F  
G  
H  
I  
J  
K  
L  
M  
N  
O  
P  
Q  
R  
S  
T  
U  
V  
W  
X  
Y

**A AMEROCK® / SUGATSUNE**

**Amerock Decorative Hardware Installation Jigs**



A (Door)



B (Drawer)



C (Door & Drawer)

Item #	Description
A	AMTMPDOOR Cabinet Door Jig for 3"-128mm widths
B	AMTMPDR-WR Cabinet Drawer Jig for 3"-128mm widths
C	AMTMPMULTI Installation Jig Set: Includes (1) Cabinet Door Jig and (1) Cabinet Drawer Jig and (1) 3/16" drill bit, 3"-128mm widths



**SWF Series**

- Made of 316 stainless steel
- Ideal for harsh and high corrosive environments
- Includes #8-32 x 1" stainless steel screws
- NSF certified & RoHS certified
- 1-3/8" Projection x 3/8" Width
- Sold per each



Item #	C/C	Overall Length	Finish
A	4"	4.37"	Satin Stainless Steel
B	5"	5.37"	Satin Stainless Steel
C	6"	6.37"	Satin Stainless Steel
D	9"	9.37"	Satin Stainless Steel
E	12"	12.37"	Satin Stainless Steel



**SWP Series**

- Made of 316 stainless steel
- Ideal for harsh and high corrosive environments
- Includes #8-32 x 1" stainless steel screws
- NSF certified & RoHS certified
- 1-11/32" Projection x 5/16" Width
- Sold per each

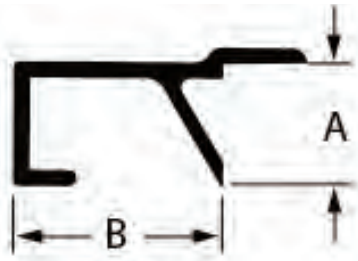


Item #	C/C	Overall Length	Finish
A	3"	3.31"	Satin Stainless Steel
B	3.5"	3.81"	Satin Stainless Steel
C	3.78"	4.09"	Satin Stainless Steel
D	4"	4.31"	Satin Stainless Steel



**PARAMOUNT EXTRUSIONS**

A  
B  
C  
D  
E  
F  
G  
H  
I  
J  
K  
L  
M  
N  
O  
P  
Q  
R  
S  
T  
U  
V  
W  
X  
Y

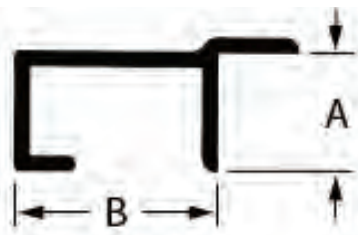


**Aluminum Extruded Panel Pulls**

- Made of aluminum, no screws included
- Sold per each



Item #	Description	"A" Size	"B" Size	Length	Finish
PR5049-72AM	Panel Pull	0.75"	1.25"	72"	Clear Anodized Aluminum
PR5089-6A	Panel Pull	0.812"	1.25"	72"	Clear Anodized Aluminum

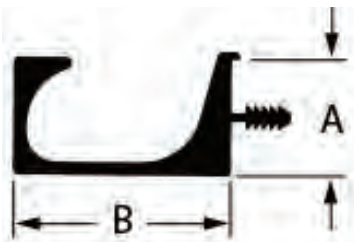


**Aluminum Extruded Drawer Pulls**

- Made of aluminum, no screws included
- Sold per each



Item #	Description	"A" Size	"B" Size	Length	Finish
PR5047-72AM	Drawer Pull	0.75"	1.25"	72"	Clear Anodized Aluminum
PR5048-72AM	Drawer Pull	0.812"	1.25"	72"	Clear Anodized Aluminum



**Aluminum Extruded Kerf Mounted Pull**

- Made of aluminum, no screws included
- Sold per each



Item #	Description	"A" Size	"B" Size	Length	Finish
PR5122-72AM	Kerf Mounted Pull	0.75"	1.375"	72"	Clear Anodized Aluminum

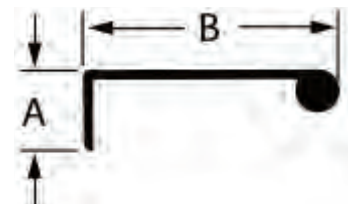


**Aluminum Extruded Flush Mortise Pull**

- Made of aluminum, no screws included
- Sold per each



Item #	Description	"A" Size	"B" Size	Length	Finish
PR5090-6A	Flush Mortise Pull	0.813"	0.937"	72"	Clear Anodized Aluminum



**Aluminum Extruded Edge Pull**

- Made of aluminum, no screws included
- Sold per each



Item #	Description	"A" Size	"B" Size	Length	Finish
PR5088-6A	Edge Pull	0.5"	1.555"	72"	Clear Anodized Aluminum



**Aluminum Extruded Cabinet Handle**

- Made of aluminum, no screws included
- Sold per each



Item #	Description	Length	Finish
PR6920-96AM	Continuous Pull for .75" doors	96"	Clear Anodized Aluminum

**A** **PARAMOUNT EXTRUSIONS / EPCO**

**B** **Edge Pulls**



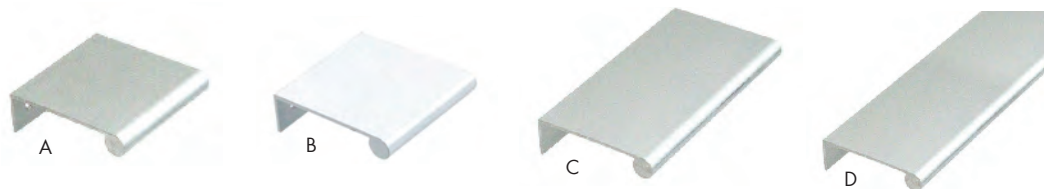
**Material: Aluminum / Back Mounting / For 1/2"-7/8" Thick Material**

Item #	Type	C/C	Size	Finish
A PR5088-C	Edge Pull, No Screws	1"	1.5"OL x 1.555"Proj	Satin Clear Anodized Aluminum
B PR5088-3	Edge Pull, No Screws	1"	1.5"OL x 1.555"Proj	Satin Black Anodized Aluminum
C PR5088-2	Edge Pull, No Screws	1"	1.5"OL x 1.555"Proj	Polished Anodized Aluminum



**Material: Aluminum / Back Mounting / For 1/2"-7/8" Thick Material**

Item #	Type	C/C	Size	Finish
A EP40AM	Edge Pull w/Screws (#6 x 5/8")	1.875"	3.875"OL x 1.625"Proj	Satin Clear Anodized Aluminum
B EPDP40-LA	Edge Pull, No Screws	No Holes	72"OL x 1.625"Proj	Satin Clear Anodized Aluminum



**Material: Aluminum / Back Mounting / For 1/2"-7/8" Thick Material**

Item #	Type	C/C	Size	Finish
A EPDP41A	Edge Pull w/Screws (#6 x 5/8")	1"	1.5"OL x 1.5625"Proj	Satin Clear Anodized Aluminum
B EPDP41WH	Edge Pull w/Screws (#6 x 5/8")	1"	1.5"OL x 1.5625"Proj	Gloss White Powdercoat
C EPDP41A-3	Edge Pull w/Screws (#6 x 5/8")	2"	3"OL x 1.5625"Proj	Satin Clear Anodized Aluminum
D EPDP41LA	Edge Pull, No Screws	No Holes	72"OL x 1.5625"Proj	Satin Clear Anodized Aluminum



**Material: Aluminum / Top Mounting / For 5/8"-1-1/4" Thick Material**

Item #	Type	C/C	Size	Finish
A EPDP42-A	Edge Pull, No Screws	No Holes	1.5"OL x 2"Proj	Satin Clear Anodized Aluminum
B EPDP42-BL	Edge Pull, No Screws	No Holes	1.5"OL x 2"Proj	Satin Black Anodized Aluminum
C EPDP42-PA	Edge Pull, No Screws	No Holes	1.5"OL x 2"Proj	Polished Anodized Aluminum

**EPCO**

**Edge Pulls**



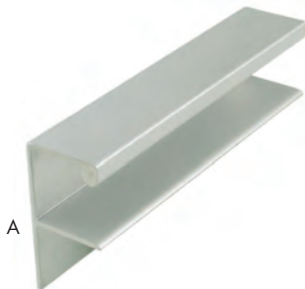
**Material: Aluminum / Flush Mortise Mounting / For 3/4" Thick Material**

	Item #	Type	C/C	Size	Finish
A	EPDP412-A	Edge Pull w/Screws (#6 x 5/8")	3"	3.875"OL x 1.25"Proj	Satin Clear Anodized Aluminum
B	EPDP412LBL	Edge Pull, No Screws	No Holes	72"OL x 1.25"Proj	Satin Black Anodized Aluminum



**Material: Aluminum / Flush Mortise Mounting / For 3/4" Thick Material**

	Item #	Type	C/C	Size	Finish
A	EP46BK	Edge Pull w/Screws (#6 x 5/8")	3"	3.875"OL x 1.25"Proj	Satin Black Anodized Aluminum
B	EPDP46L-A	Edge Pull, No Screws	No Holes	72"OL x 1.25"Proj	Satin Clear Anodized Aluminum
C	EPDP46-LBL	Edge Pull, No Screws	No Holes	72"OL x 1.25"Proj	Satin Black Anodized Aluminum



**Material: Aluminum / Flush Mortise Mounting / For 3/4" Thick Material**

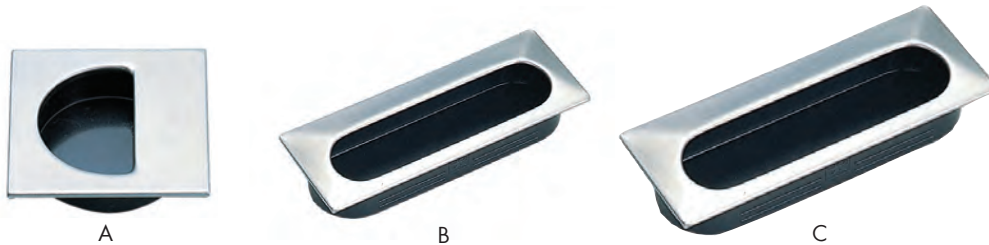
	Item #	Type	C/C	Size	Finish
A	EPDP414-A	Edge Pull w/Screws (#6 x 5/8")	1.875"	3.875"OL x 15/16"Proj	Satin Clear Anodized Aluminum

A  
B  
C  
D  
E  
F  
G  
H  
I  
J  
K  
L  
M  
N  
O  
P  
Q  
R  
S  
T  
U  
V  
W  
X  
Y

**SUGATSUNE / KNAPE & VOGT® / EPCO**

**Recessed Pulls**

Material: Stainless Steel



Item #	Type	Size	Mortise Hole	Finish
A SGSP-35	Recessed Pull, No Screws	1-3/4" Sq x 3/8" Depth	1.382" dia.	Stainless Steel
B SGUT105-S	Recessed Pull, No Screws	4-1/8" x 1-9/16", 5/8" Depth	3.899" x 1.280"	Stainless Steel
C SGUT-140/S	Recessed Pull, No Screws	5-1/2" x 1-9/16", 5/8" Depth	5.276" x 1.594"	Stainless Steel



**Material: Solid Brass | Mortise Hole: 1-3/8" x 2-1/16" x 1/2" Deep**

Item #	Type	Size	Finish
KV819	Recessed Pull, No Screws	1-3/4" x 3-1/4" x 9/16" Deep	Anochrome

**Flush Pull**

Mortise Hole: 1.18"H x 2.64"W x .35"D



**Material: Stainless Steel**

Item #	Type	Size	Finish
A EPDP485PC	Flush Pull, No Screws	1.42"H x 3.35"W	Polished Chrome
B EPDP485SS	Flush Pull, No Screws	1.42"H x 3.35"W	Stainless Steel

**Flush Pull**

Mortise Hole: 1.34"H x 3.66"W x .55"D

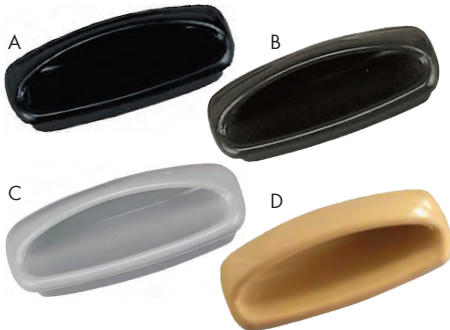


**Material: Stainless Steel**

Item #	Type	Size	Finish
A EPDP4115PC	Flush Pull, No Screws	1.65"H x 4.53"W	Polished Chrome
B EPDP4115SS	Flush Pull, No Screws	1.65"H x 4.53"W	Stainless Steel

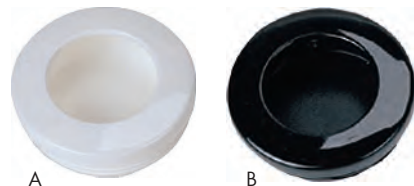
**BAINBRIDGE & HARDWARE CONCEPTS INC.**

A  
B  
C  
D  
E  
F  
G  
H  
I  
J  
K  
L  
M  
N  
O  
P  
Q  
R  
S  
T  
U  
V  
W  
X  
Y

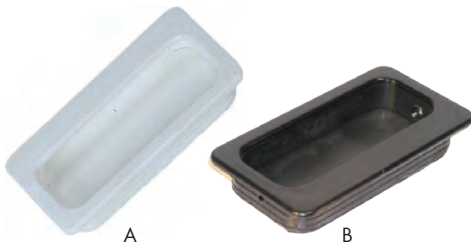


**Plastic Pulls**

Material: Plastic   Mortise Hole: 3-1/8"				
	Item #	Type	Size	Finish
A	BA1710-BK	Plastic Recessed Pull	2-7/8" c/c	Black
B	BA1710-BN	Plastic Recessed Pull	2-7/8" c/c	Dark Brown
C	BA1710-GR	Plastic Recessed Pull	2-7/8" c/c	Gray
D	BA1710-PY	Plastic Recessed Pull	2-7/8" c/c	Putty



Material: Nylon   Mortise Hole: 2-5/32" dia. x 9/16" Deep				
	Item #	Type	Size	Finish
A	HC2180312-WH	Nylon Recessed Pull	2-7/16" Dia.	White
B	HC2180014-BK	Nylon Recessed Pull	2-7/16" Dia.	Black



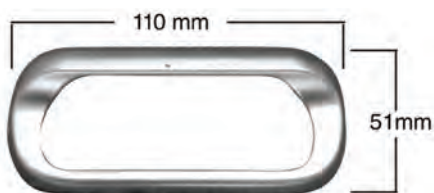
Material: Nylon   Mortise Hole: 3-9/16" L x 1-21/32" W x 9/16" Deep				
	Item #	Type	Size	Finish
A	HC2194212-WH	Nylon Recessed Pull	3-15/16"L x 2-1/32"W	White
B	HC2194014-BK	Nylon Recessed Pull	3-15/16"L x 2-1/32"W	Black



Material: Plastic   Mortise Hole: 4-3/16"L x 1"W x 3/8" Deep					
Item #	Type	C/C	Size	Finish	
HC2867-29	Plastic Flush Mount Pull	96mm	4-3/8"L x 1-1/4"W	Almond	
HC2867BK	Plastic Flush Mount Pull	96mm	4-3/8"L x 1-1/4"W	Black	
HC2867GR	Plastic Flush Mount Pull	96mm	4-3/8"L x 1-1/4"W	Gray	
HC2867BN	Plastic Flush Mount Pull	96mm	4-3/8"L x 1-1/4"W	Brown	
HC2867WH	Plastic Flush Mount Pull	96mm	4-3/8"L x 1-1/4"W	White	



Material: Plastic   Mortise Hole: 5-1/16"L x 1-1/2"W x 9/16" Deep					
Item #	Type	C/C	Size	Finish	
HC2869BK	Plastic Flush Mount Pull	4-5/8"	5-1/4"L x 1-11/16"W	Black	
HC2869GR	Plastic Flush Mount Pull	4-5/8"	5-1/4"L x 1-11/16"W	Gray	



**Hood Pull**

Material: Metal   Includes Screws, # 8 - 32 x 1"			
Item #	Type	Size	Finish
HC4121073-MC	Flush Pull	96mm c/c	Matt Chrome



A  
B  
C  
D  
E  
F  
G  
H  
I  
J  
K  
L  
M  
N  
O  
P  
Q  
R  
S  
T  
U  
V  
W  
X  
Y

**TRUE POSITION TOOLS®**



**Extended Ruler Attachment**

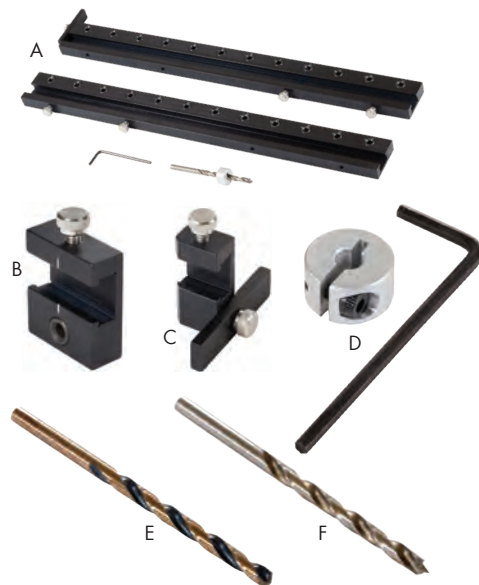
The extended ruler attachment eliminates the need to center your Cabinet Hardware Jig on every drawer front which greatly speeds up hardware installation. Attaches to hardware jig for quicker centering on wide drawer fronts or tall doors. Also allows adjustable starting point for line boring in assembled cabinets (please note this feature requires extension set TP-2312 or TP-1935 with marked center lines, 2016 and newer). Includes 17-1/2" ruler w/ 2-sided print, bracket for T-square connection, 2 extra thumbscrews for attaching to extension set. Fits all TP Hardware Jigs. Included ruler attachment provides a stop for drawer fronts up to 42" wide. Made in USA.



- Eliminates finding center of each drawer front
- Provides a measurable stop for large handles on a door
- Fits all TP Hardware Jigs
- English / Metric
- Made in USA

<b>Item #</b>
TP-ERA

TP-ERA in use, jig and other items not included



**Cabinet Hardware & Shelf Pin Jig Accessories & Replacement Components**



Item #	Description
A TP-2312	Add on extension bars for TP-1934. Convert the hardware jig into a portable line boring unit. Also capable of installing cabinet handles up to 30-1/4" (768mm)
B TP-SDG	Sliding Drill Guide for all True Position models and used for quick shelf hole layouts
C TP-SES	Replacement sliding end stop assembly for all TP models
D TP-5MMSC	Split Ring Stop Collar for 5mm drill bits, adjustable design is made of aluminum
E TP-5MMJ	5mm Ultra Bor Super Premium Drill Bit, Black & Gold 5mm Jobber Length. Hi-Molybdenum tool steel with 135 degree split points for fast penetration and accurate starting without a center punch. Ideal for solid woods
F TP-5MMB	5mm Brad Point HSS bit, ideal for woods and plastics. Brad point for clean holes in melamine, veneer and other woods

**TRUE POSITION TOOLS®**

**Cabinet Hardware & Shelf Pin Jigs**

**Install Hardware In Seconds. Save Time - Save Mistakes!**

The days of measuring each door or drawer by hand or using a block of wood are over!

The True Position Hardware Jig makes short work of any hardware layout. You will be amazed how easy hardware is to install! All are made in the U.S.A. out of durable aircraft quality light-weight aluminum and feature replaceable case hardened steel bushings!



Set hardware spacing using integrated english/metric ruler



Adjust to desired location on stile and rail, then tighten thumbscrews



Hold in place and drill!

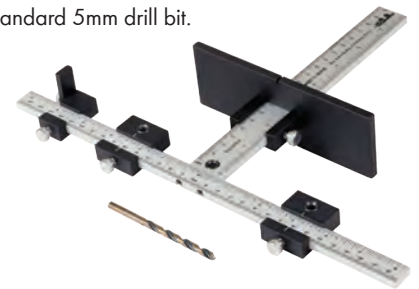


**Cabinet Hardware Jig**

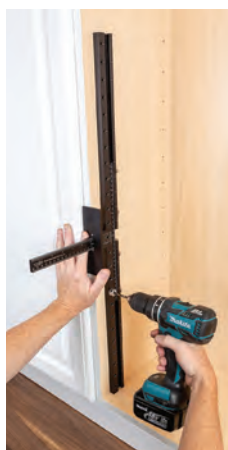
For professional installation of handles & knobs. Works on doors and drawer fronts.

An invaluable tool for any cabinet installer. Includes standard 5mm drill bit.

- Install hardware 10x faster
- Minimum c/c: 1-1/8" (28mm)
- Maximum c/c: 12" (305mm)
- Includes blow molded case



<b>Item #</b>
TP-1934



<b>Item #</b>
TP-1935

**Cabinet Hardware Jig Plus Shelf Pin/Long Handle Jig**

Versatile 3 - in - 1 tool: door hardware - drawer hardware - shelf holes.

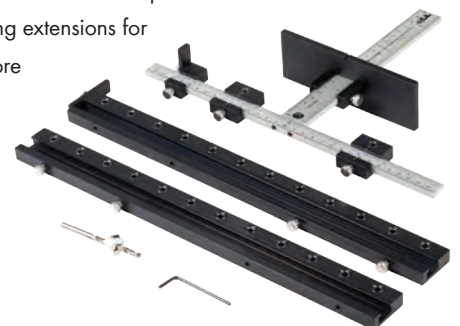
Also a great alternative to the line boring machine for the small shop. Includes the basic hardware jig (TP-1934) with additional drilling extensions for

32mm line boring. Drill shelf holes in the shop before assembly or on the job after assembly. Also drills

long handles up to 30-1/4" length.

Includes depth stop and standard 5mm drill bit.

- Install hardware 10x faster
- Minimum c/c: 1-1/8" (28mm)
- Maximum c/c: 30-1/4" (768mm)
- Includes blow molded case



A  
B  
C  
D  
E  
F  
G  
H  
I  
J  
K  
L  
M  
N  
O  
P  
Q  
R  
S  
T  
U  
V  
W  
X  
Y

A  
B  
C  
D  
E  
F  
G  
H  
I  
J  
K  
L  
M  
N  
O  
P  
Q  
R  
S  
T  
U  
V  
W  
X  
Y

## DECORATIVE HARDWARE SCREWS



### 8-32 Thread Machine Screws Combo Phillips/Slotted Drive, Zinc



- Sold by the box

Length	Box Qty	Item #	Quick Code	Box Qty	Item #	Quick Code
7/8"	100	WUMS832X78RSPZH	L47200	1,000	WUMS832X78RSPZT	L47220
1"	100	WUMS832X1RSPZH	L47300	1,000	WUMS832X1RSPZT	L47320
1-1/8"	100	WUMS832X118RSPZH	L47400	1,000	WUMS832X118RSPZT	L47420
1-1/4"	100	WUMS832X114RSPZH	L47500	1,000	WUMS832X114RSPZT	L47520
1-3/8"	100	WUMS832X138RSPZH	L47600	1,000	WUMS832X138RSPZT	L47620
1-1/2"	100	WUMS832X112RSPZH	L47700	1,000	WUMS832X112RSPZT	L47720
1-5/8"	100	WUMS832X158RSPZH	L47800	1,000	WUMS832X158RSPZT	L47820
1-3/4"	100	WUMS832X134RSPZH	L47900	1,000	WUMS832X134RSPZT	L47920
2"	100	WUMS832X2RSPZH	L48000	1,000	WUMS832X2RSPZT	L48020



### 8-32 Thread (Breakaway) Combo Phillips/Slotted Drive, Zinc



- 1-3/4" long with break-a-ways at 3/4", 1", 1-1/4" and 1-1/2"
- Sold by the box

Length	Box Qty	Item #	Quick Code	Bulk Qty	Item #	Quick Code
1-3/4"	100	WUMS832X134RBPZH	L48700	1,000	WUMS832X134RBPZT	L48720



### M4 Thread Machine Screws Combo Phillips/Slotted Drive, Zinc



- Sold by the box

Length	Box Qty	Item #	Quik Code
7/8" (22mm)	100	WUMS4X22RSPZH	L48340
1" (25mm)	100	WUMS4X25RSPZH	L48400
1-3/16" (30mm)	100	WUMS4X30M4BZ100	L48450
1-5/8" (39mm)	100	WUMS4X39RSPZH	L48600



### M4 Thread (Breakaway), Machine Screws Combo Phillips/Slotted Drive, Zinc



- 45mm long with break-a-ways at 19mm, 25mm, 32mm, and 38mm
- Sold by the box

Accessories	
Item #	Description
WR16270316	3/16" Drill Bit *
AN55208	Countersink, #8 Screw

Length	Box Qty	Item #	Quick Code
1-3/4" (45mm)	100	WUMS4X45RBPZH	L48900

\* Sold in multiples of 12



**PRO VALUE DISPLAY BOARDS**

A  
B  
C  
D  
E  
F  
G  
H  
I  
J  
K  
L  
M  
N  
O  
P  
Q  
R  
S  
T  
U  
V  
W  
X  
Y



**Mod Display Board**

- A collection of knobs and pulls with a modern design
- Pulls are 96mm c/c and 128mm c/c



Item #	Description	Size
PROMODBOARD	Mod Series Display Board	11-3/4"H x 15-3/4"H



**Preferred Display Board**

- A collection of knobs and pulls with a transitional design
- Pulls are 96mm c/c and 128mm c/c



Item #	Description	Size
PROPREFERREDBOARD	Preferred Series Display Board	11-3/4"H x 15-3/4"H



**Transitions 2.0 Display Board**

- A collection of knobs and pulls with a transitional design
- Pulls are 96mm c/c and 128mm c/c



Item #	Description	Size
PROTRANS2BOARD	Preferred Series Display Board	11-3/4"H x 15-3/4"H



**Modern Square/Edge Pulls Display Board**

- The board consists of modern square pulls and edge pulls
- Modern square pulls are 96mm c/c, 128mm c/c, 160mm c/c and 192mm c/c
- Edge pulls are 25mm c/c, 56mm c/c and 112mm c/c



Item #	Description	Size
PROSQEDGEBOARD	Modern Sq/Edge Pulls Board	11-3/4"H x 15-3/4"H



**Bar Pulls Display Board**

- The board consists of bar pulls
- Bar pulls are 96mm c/c, 128mm c/c, 160mm c/c and 192mm c/c

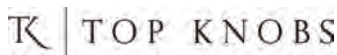


Item #	Description	Size
PROSBBARBOARD	Bar Pulls Display Board	11-3/4"H x 15-3/4"H

**A DECORATIVE HARDWARE MANUFACTURERS**

B  
C  
D  
E  
F  
G  
H  
I  
J  
K  
L  
M  
N  
O  
P  
Q  
R  
S  
T  
U  
V  
W  
X  
Y

Würth Louis and Company has access to the following decorative hardware manufacturer's complete product lines. Please visit our website to view their products.



**SECTION B - TABLE OF CONTENTS**

**Section B Contents:**

PRO Euro Hinges.....2-4  
 PRO Face Frame Hinges.....5  
 Blum Euro Hinges..... 6-13  
 Blum Specialty Euro Hinges..... 14-19  
 Blum Baseplates & Accessories.....20-30  
 Blum Face Frame Hinges ..... 31-38  
 Blum Hinge Machines & Accessories ..... 39-46  
 Grass Tiomos Euro Hinges.....47-54  
 Grass Tiomos Specialty Euro Hinges .....55-61  
 Grass Tiomos Baseplates & Accessories ..... 62-68  
 Grass Nexis Euro Hinges.....69-72  
 Grass Nexis Specialty Hinges.....73-75  
 Grass Nexis Baseplates & Accessories .....76-82  
 Grass Face Frame Hinges..... 83-90  
 Grass Hinge Machines & Accessories .....91-92  
 Hettich Sensys Euro Hinges ..... 93-97  
 Hettich Intermat Euro Hinges .....98-99  
 Hettich Sensys/Intermat Mounting Plates ..... 100-102  
 Hettich Face Frame Hinges..... 103-104  
 Salice Euro Hinges..... 105-115  
 Salice Specialty Euro Hinges..... 116-124  
 Salice Baseplates & Accessories.. 125-131  
 Salice Face Frame Hinges ..... 132-135  
 Sugatsune Stainless Steel Euro Hinges ..... 136



**Add Soft-Close to any cabinet door using Grass Nexis or Grass Nexis Impresso hinges!**

**G\* GRASS**

**OUR QUALITY REFLECTS OUR EXPERIENCE**

**TIOMOS** is an elegant hinge system that reflects the quality and detail that Grass puts into every process. **TIOMOS** offers Soft-close technology that is integrated and concealed in the hinge arm for a smooth closing action and three dimensional adjustment for perfect alignment of your cabinet fronts. Various opening angles and specialty application hinges make **TIOMOS** the perfect choice for your fine cabinetry. Experience the quality of **GRASS TIOMOS** hinges.



NOTE: Some of the items in this section are not available in all markets. Please contact your Würth Louis and Company representative for more information.

A  
B  
C  
D  
E  
F  
G  
H  
I  
J  
K  
L  
M  
N  
O  
P  
Q  
R  
S  
T  
U  
V  
W  
X  
Y

**A PRO SOFT-CLOSE & SELF-CLOSE EURO HINGES**

B  
C  
D  
E  
F  
G  
H  
I  
J  
K  
L  
M  
N  
O  
P  
Q  
R  
S  
T  
U  
V  
W  
X  
Y



**PRO Soft-Close Euro Hinges**



- Extra smooth soft-close action
- Soft-close mechanism integrated into hinge arm
- ANSI/BIFMA/KCMA/BHMA approved
- 3 cam adjustable with suitable baseplate (sold separately)
- Boring Pattern: 45mm
- All metal hinge, nickel plated

Item #	Opening	Overlay	Fixing	Closing Type	Box Qty
<b>110° Hinges - Full, Half Overlay, &amp; Inset</b>					
PROH110FOSFT-DWL	110°	Full	Dowel	Soft-close	200
PROH110HOSFT-DWL	110°	Half	Dowel	Soft-close	200
PROH110INSFT-DWL	110°	Inset	Dowel	Soft-close	200
<b>120° Hinges - Full Overlay</b>					
PROH120FOSFT-DWL	120°	Full	Dowel	Soft-close	200
<b>155° Hinges - Full Overlay</b>					
PROH155FOSFT-DWL	155°	Full	Dowel	Soft-close	100



Accessory Items	
Item #	Description
AN203351	35mm Hinge Boring Bit
AN301008	8mm LH Bit, 57mm L



**PRO Self-Close Euro Hinges**



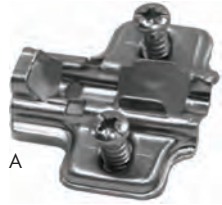
- ANSI/BIFMA/KCMA/BHMA approved
- 3 cam adjustable with suitable baseplate (sold separately)
- Boring Pattern: 45mm
- All metal hinge, nickel plated

Item #	Opening	Overlay	Fixing	Closing Type	Box Qty
<b>110° Hinges - Full, Half Overlay &amp; Inset</b>					
PROH110FOSLF	110°	Full	Screw-On	Self-close	200
PROH110FOSLF-DWL	110°	Full	Dowel	Self-close	200
PROH110HOSLF-DWL	110°	Half	Dowel	Self-close	200
PROH110INSLF-DWL	110°	Inset	Dowel	Self-close	200
<b>120° Hinges - Full &amp; Half Overlay</b>					
PROH120FOSLF	120°	Full	Screw-On	Self-close	200
PROH120FOSLF-DWL	120°	Full	Dowel	Self-close	200
PROH120HOSLF-DWL	120°	Half	Dowel	Self-close	200
<b>155° Hinges - Full Overlay</b>					
PROH155FOSLF-DWL	155°	Full	Dowel	Self-close	100

**PRO EURO HINGE BASEPLATES**

**PRO Euro Hinge Baseplates**

- Work with all PRO Euro Hinges



A



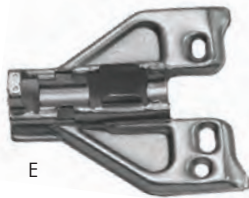
B



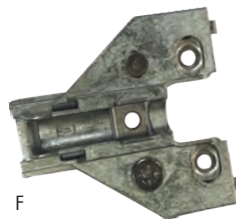
C



D



E



F



	Item #	Height	Fixing Type	Box Qty
<b>Standard One-Piece Wing Mounting Plates - Steel</b>				
A	PROH0PLT-EUR	0mm	Pre-mounted Euro Screws	400
	PROH2PLT-EUR	2mm	Pre-mounted Euro Screws	400
	PROH4PLT-EUR	4mm	Pre-mounted Euro Screws	400
<b>Cam Adjustable Wing Mounting Plates - Steel</b>				
B	PROH0PLT-CAM	0mm	Wood Screw	400
	PROH2PLT-CAM	2mm	Wood Screw	400
	PROH4PLT-CAM	4mm	Wood Screw	400
C	PROH0PLTCAM-EUR	0mm	Pre-mounted Euro Screws	400
	PROH2PLTCAM-EUR	2mm	Pre-mounted Euro Screws	400
	PROH4PLTCAM-EUR	4mm	Pre-mounted Euro Screws	400
D	PROH0PLTCAM-DWL	0mm	5x1 1mm Split Dowel	400
	PROH2PLTCAM-DWL	2mm	5x1 1mm Split Dowel	400
	PROH4PLTCAM-DWL	4mm	5x1 1mm Split Dowel	400
<b>Face Frame Adapter Plates - Steel</b>				
E	PROH1PLTFF	1mm	Wood Screw	400
	PROH3PLTFF	3mm	Wood Screw	400
	PROH6PLTFF	6mm	Wood Screw	400
<b>Face Frame Adapter Plates - Diecast</b>				
F	PROH1PLTFF-CAM	1mm	Wood Screw	400
	PROH3PLTFF-CAM	3mm	Wood Screw	400
	PROH6PLTFF-CAM	6mm	Wood Screw	400

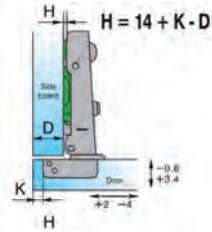
Accessory Items	
Item #	Description
AN608520	Vix Bit, 1/4" Hex Shank, #6 Screw
AN630520	Replacement Bit for above

A  
B  
C  
D  
E  
F  
G  
H  
I  
J  
K  
L  
M  
N  
O  
P  
Q  
R  
S  
T  
U  
V  
W  
X  
Y

**A PRO EUROPEAN HINGE OVERLAY CHARTS**

B  
C  
D  
E  
F  
G  
H  
I  
J  
K  
L  
M  
N  
O  
P  
Q  
R  
S  
T  
U  
V  
W  
X  
Y

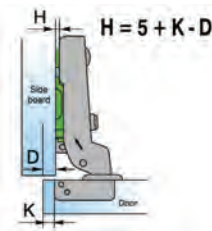
**Full Overlay Hinges**



D \ H \ K	3	4	5	6	7
0	17	18	19	20	21
2	15	16	17	18	19
4	13	14	15	16	17

D = Overlay in mm  
H = Baseplate height  
K = Boring distance

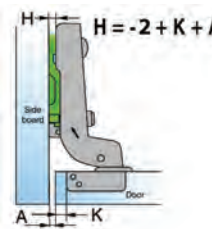
**Half Overlay Hinges**



D \ H \ K	3	4	5	6	7
0	8	9	10	11	12
2	6	7	8	9	10
4	4	5	6	7	8

D = Overlay in mm  
H = Baseplate height  
K = Boring distance

**Inset Hinges**



A \ H \ K	3	4	5	6	7
0	1	0	-1	-2	-3
2	3	2	1	0	-1
4	5	4	3	2	1

A = Reveal in mm  
H = Baseplate height  
K = Boring distance



**Screws for Hinges & Baseplates, Flat Head**

• Sold by the box



Length x Gauge	Drive	Box Qty	Item #	Quick Code	Box Qty	Item #	Quick Code
<b>Nickel Finish</b>							
1/2" x 6	Phillips	1,000	WUMS6X12FCPNT	L54200	5,000	WUMS6X12FCPNB	L54300
5/8" x 6	Phillips	1,000	WUMS6X58FCPNT	L54375	5,000	WUMS6X58FCPN5B	L54380
3/4" x 6	Phillips	1,000	WUMS6X34FCPNT	L54680	5,000	WUMS6X34FCPNB	L54690
<b>Zinc Finish</b>							
1/2" x 6	Phillips	1,000	WUMS6X12FPCZT	L42100	5,000	WUMS6X12FPCZB	L42150
5/8" x 6	Phillips	1,000	WUMS6X58FPCZT	L42300	5,000	WUMS6X58FPCZ5B	L42390
3/4" x 6	Phillips	1,000	WUMS6X34FPCZT	L42500	5,000	WUMS6X34FPCZB	L43150



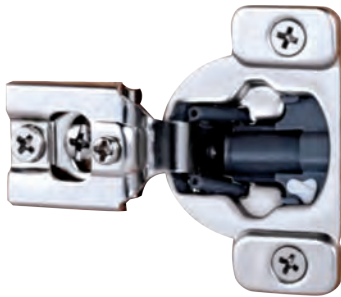
**Screws for Face Frame Hinges, Modified Truss Head Type 17 Point**

• Sold by the box

Length x Gauge	Drive	Box Qty	Item #	Quick Code
3/4" x 8	Phillips	1,000	WUMS8X34MCPNPT	L46300
3/4" x 10	Phillips	1,000	WUMS10X34PPCSNT	L45820

**PRO SOFT-CLOSE & SELF-CLOSE FACE FRAME HINGES**

A  
B  
C  
D  
E  
F  
G  
H  
I  
J  
K  
L  
M  
N  
O  
P  
Q  
R  
S  
T  
U  
V  
W  
X  
Y



**PRO Soft-Close Face Frame Hinges**



- Extra smooth soft-close mechanism integrated into hinge cup
- ANSI/BIFMA/KCMA/BHMA approved
- One piece wraparound dowel hinge
- Opening angle: 105°
- 2 Cam Hinge: Height adjustment via elongated hole
- Boring pattern: 45mm
- Depth of hinge cup: 10.5mm

Item #	Overlay	Cam Adjust.	Box Qty
PROH12OLINT-2CAM	1/2"	2	300
PROH114OLINT-2CAM	1-1/4"	2	300



Accessory Items	
Item #	Description
AN203351	35mm Hinge Boring Bit
AN301008	8mm LH Bit, 57mm L



**PRO Self-Close Face Frame Hinges**



- One piece wraparound dowel hinge
- ANSI/BIFMA/KCMA/BHMA approved
- Opening angle: 105°
- 2 Cam Hinge: Height adjustment via elongated hole
- Boring pattern: 45mm
- Depth of hinge cup: 10.5mm

Item #	Overlay	Cam Adjust.	Box Qty
PROH12OLFF-2CAM	1/2"	2	300
PROH114OLFF-2CAM	1-1/4"	2	300



Accessory Items	
Item #	Description
AN203351	35mm Hinge Boring Bit
AN301008	8mm LH Bit, 57mm L

**A BLUM SOFT-CLOSE EURO HINGES**



**110° CLIP top BLUMOTION Hinges**



- BLUMOTION integrated into the hinge cup
- Deactivation switch for small/light doors
- For door thicknesses up to 1" (26mm)
- Overload safety feature
- 86° angle restriction clip available (B70T3553)
- Compatible with existing CLIP mounting plates and hinge arm cover caps

Item #	Opening	Overlay	Fixing	Close Type	Box Qty
B71B355	110°	Full	Screw-On	Soft-Close	250
B71B358	110°	Full	Dowel	Soft-Close	250
B71B359	110°	Full	INSERTA	Soft-Close	250
B71B358E	110°	Full	EXPANDO	Soft-Close	250
B71B365	110°	Half	Screw-On	Soft-Close	250
B71B368	110°	Half	Dowel	Soft-Close	250
B71B369	110°	Half	INSERTA	Soft-Close	250
B71B375	110°	Inset	Screw-On	Soft-Close	250
B71B378	110°	Inset	Dowel	Soft-Close	250
B71B379	110°	Inset	INSERTA	Soft-Close	250



**110°+ CLIP top BLUMOTION Hinges**



- For door overlays up to 22mm
- BLUMOTION integrated into the hinge cup
- Deactivation switch for small/light doors
- For door thicknesses up to 1" (26mm)
- Overload safety feature
- 86° angle restriction clip available (B70T3553)
- Compatible with existing CLIP mounting plates and hinge arm cover caps

Item #	Opening	Overlay	Fixing	Close Type	Box Qty
B73B355	110°	Full	Screw-On	Soft-Close	250
B73B358	110°	Full	Dowel	Soft-Close	250
B73B359	110°	Full	INSERTA	Soft-Close	250
B73B358E	110°	Full	EXPANDO	Soft-Close	250



## BLUM SOFT-CLOSE EURO HINGES



### 95° CLIP top BLUMOTION Thick Door Hinges



- BLUMOTION integrated into the hinge cup
- Deactivation switch for small/light doors
- For door thicknesses up to 1-3/16" (30mm)
- Overload safety feature
- Compatible with existing CLIP mounting plates and hinge arm cover caps

Item #	Opening	Overlay	Fixing	Close Type	Box Qty
B71B955	95°	Full	Screw-On	Soft-close	250
B71B958	95°	Full	Dowel	Soft-close	250
B71B959	95°	Full	INSERTA	Soft-close	250
B71B965	95°	Half	Screw-On	Soft-close	50
B71B968	95°	Half	Dowel	Soft-close	50
B71B969	95°	Half	INSERTA	Soft-close	50
B71B975	95°	Inset	Screw-On	Soft-close	50
B71B978	95°	Inset	Dowel	Soft-close	50
B71B979	95°	Inset	INSERTA	Soft-close	50



### 110° CLIP top BLUMOTION Diagonal 45° II



- BLUMOTION integrated into the hinge cup
- Deactivation switch for small/light doors
- For door thicknesses up to 3/4" (19mm)
- Overload safety feature
- Compatible with existing CLIP mounting plates and hinge arm cover caps

Item #	Opening	Overlay	Fixing	Close Type	Box Qty
B79B3598	110°	Diagonal 45°	INSERTA	Soft-close	50

**A BLUM ZERO PROTRUSION EURO HINGES**

**155° CLIP top and CLIP top BLUMOTION  
Zero Protrusion Hinges**


- For use in cabinets with interior roll-outs
- Three-dimensional adjustment
- Available with INSERTA attachment
- For door thicknesses up to 15/16" (24mm)
- All metal hinge, nickel-plated

Item #	Opening	Overlay	Fixing	Close Type	Box Qty
B71T755	155°	Full	Screw-On	Self-close	125
B71B755	155°	Full	Screw-On	Soft-close	125
B71B758	155°	Full	Dowel	Soft-close	125
B71T759	155°	Full	INSERTA	Self-close	125
B71B759	155°	Full	INSERTA	Soft-close	125
B71T765	155°	Half	Screw-On	Self-close	25
B71B765	155°	Half	Screw-On	Soft-close	25
B71B769	155°	Half	INSERTA	Soft-close	25


**125° CLIP top BLUMOTION Zero  
Protrusion Hinges for Thicker Doors**


- Zero protrusion hinge for thicker doors
- For use in cabinets with interior roll-outs
- Three-dimensional adjustment
- For door thicknesses up to 1-3/16" (30mm)
- All metal hinge, nickel-plated

Item #	Opening	Overlay	Fixing	Close Type	Box Qty
B71B755D	125°	Full	Screw-On	Soft-close	25
B71B758D	125°	Full	Dowel	Soft-close	25

**BLUM SOFT-CLOSE SPECIALTY EURO HINGES**

A  
B  
C  
D  
E  
F  
G  
H  
I  
J  
K  
L  
M  
N  
O  
P  
Q  
R  
S  
T  
U  
V  
W  
X  
Y



**95° CLIP top BLUMOTION Inset Blind Corner Hinges**



- BLUMOTION integrated into the hinge cup
- Deactivation switch for small/light doors
- For door thicknesses up to 15/16" (24mm)
- Overload safety feature
- Boring distance range 3mm to 7mm
- Compatible with existing CLIP mounting plates and hinge arm cover caps

Item #	Opening	Overlay	Fixing	Close Type	Box Qty
B79B955	95°	Inset	Screw-On	Soft-close	50
B79B958	95°	Inset	Dowel	Soft-close	50
B79B959	95°	Inset	INSERTA	Soft-close	50



**95° CLIP top BLUMOTION Overlay Blind Corner Hinges**



- BLUMOTION integrated into the hinge cup
- Deactivation switch for small/light doors
- For door thicknesses up to 15/16" (24mm)
- Overload safety feature
- Boring distance range 3mm to 7mm
- Compatible with existing CLIP mounting plates and hinge arm cover caps

Item #	Opening	Overlay	Fixing	Close Type	Box Qty
B79B998	95°	Overlay	Dowel	Soft-close	50



**95° CLIP top BLUMOTION Narrow Aluminum Door Hinges**



- BLUMOTION integrated into the hinge cup
- Deactivation switch for small/light doors
- For door thicknesses up to 7/8" (22mm)
- Overload safety feature
- Compatible with existing CLIP mounting plates and hinge arm cover caps

Item #	Opening	Overlay	Fixing	Close Type	Box Qty
B71B950A	95°	Full	Dowel	Soft-close	50

A  
B  
C  
D  
E  
F  
G  
H  
I  
J  
K  
L  
M  
N  
O  
P  
Q  
R  
S  
T  
U  
V  
W  
X  
Y

**BLUM EURO HINGES**



**100° CLIP Hinges**



- Three-dimensional adjustment
- Available with INSERTA attachment
- For door thicknesses up to 15/16" (24mm)
- All metal hinge, nickel-plated
- Add-on BLUMOTION soft close available

Item #	Opening	Overlay	Fixing	Close Type	Box Qty
B71M255	100°	Full	Screw-On	Self-close	250
B70M255	100°	Full	Screw-On	Free Swing	50
B71M258	100°	Full	Dowel	Self-close	250
B70M258	100°	Full	Dowel	Free Swing	50
B71M258E	100°	Full	EXPANDO	Self-close	250
B71M259	100°	Full	INSERTA	Self-close	250
B71M265	100°	Half	Screw-On	Self-close	250
B70M265	100°	Half	Screw-On	Free Swing	50
B71M268	100°	Half	Dowel	Self-close	250
B71M2690B	100°	Half	INSERTA	Self-close	250
B71M275	100°	Inset	Screw-On	Self-close	250
B70M275	100°	Inset	Screw-On	Free Swing	50
B71M278	100°	Inset	Dowel	Self-close	250
B70M278	100°	Inset	Dowel	Free Swing	50
B71M279	100°	Inset	INSERTA	Self-close	250



**107° CLIP top Hinges**



- Three-dimensional adjustment
- Available with INSERTA attachment
- For door thicknesses up to 3/4" (19mm)
- 86° angle restriction clip available (B74.1103)
- All metal hinge, nickel-plated
- Add-on BLUMOTION soft close available

Item #	Opening	Overlay	Fixing	Close Type	Box Qty
B75T155	107°	Full	Screw-On	Self-close	250
B75T158	107°	Full	Dowel	Self-close	250
B75T159	107°	Full	INSERTA	Self-close	250

## BLUM CLIP TOP EURO HINGES



### 110° CLIP top Hinges

- Three-dimensional adjustment
- INSERTA lever expands in 8mm holes
- 86° angle restriction clip available (B70T3553)
- All metal hinge, nickel-plated
- Add-on BLUMOTION soft close available
- Available with INSERTA attachment
- For door thicknesses up to 1" (26mm)



Item #	Opening	Overlay	Fixing	Close Type	Box Qty
B71T355	110°	Full	Screw-On	Self-close	250
B70T355	110°	Full	Screw-On	Free Swing	50
B71T358	110°	Full	Dowel	Self-close	250
B70T358	110°	Full	Dowel	Free Swing	50
B71T358E	110°	Full	EXPANDO	Self-close	250
B71T359	110°	Full	INSERTA	Self-close	250
B70T359	110°	Full	INSERTA	Free Swing	50
B71T365	110°	Half	Screw-On	Self-close	50
B70T365	110°	Half	Screw-On	Free Swing	50
B71T368	110°	Half	Dowel	Self-close	50
B71T369	110°	Half	INSERTA	Self-close	50
B70T369	110°	Half	INSERTA	Free Swing	50
B71T375	110°	Inset	Screw-On	Self-close	50
B70T375	110°	Inset	Screw-On	Free Swing	50
B71T378	110°	Inset	Dowel	Self-close	50
B71T379	110°	Inset	INSERTA	Self-close	50



### 110°+ CLIP top Hinges

- For larger overlays (22mm maximum)
- Available with INSERTA attachment
- For door thicknesses up to 1" (26mm)
- 86° angle restriction clip available (B70T3553)
- All metal hinge, nickel-plated
- Add-on BLUMOTION soft close available
- Three-dimensional adjustment
- INSERTA lever expands in 8mm holes



Item #	Opening	Overlay	Fixing	Close Type	Box Qty
B73T355	110°+	Full	Screw-on	Self-close	250
B72T355	110°+	Full	Screw-on	Free Swing	50
B73T358	110°+	Full	Dowel	Self-close	250
B72T358	110°+	Full	Dowel	Free Swing	50
B73T358E	110°+	Full	EXPANDO	Self-close	250
B73T359	110°+	Full	INSERTA	Self-close	250
B72T359	110°+	Full	INSERTA	Free Swing	50

**A BLUM CLIP TOP EURO HINGES**

B  
C  
D  
E  
F  
G  
H  
I  
J  
K  
L  
M  
N  
O  
P  
Q  
R  
S  
T  
U  
V  
W  
X  
Y



**120° CLIP top Hinges**

- Three-dimensional adjustment
- Available with INSERTA attachment
- For door thicknesses up to 7/8" (22mm)
- All metal hinge, nickel-plated
- Add-on BLUMOTION soft close available



Item #	Opening	Overlay	Fixing	Close Type	Box Qty
B71T555	120°	Full	Screw-On	Self-Close	250
B71T558	120°	Full	Dowel	Self-Close	250
B71T558E	120°	Full	EXPANDO	Self-Close	250
B71T559	120°	Full	INSERTA	Self-Close	250
B71T565	120°	Half	Screw-On	Self-Close	50
B71T568	120°	Half	Dowel	Self-Close	50
B71T569	120°	Half	INSERTA	Self-Close	50



**120° + CLIP top Hinges**

- For larger overlays (21mm maximum)
- Three-dimensional adjustment
- Available with INSERTA attachment
- For door thicknesses up to 7/8" (22mm)
- All metal hinge, nickel-plated
- Add-on BLUMOTION soft close available



Item #	Opening	Overlay	Fixing	Close Type	Box Qty
B73T555	120°	Full	Screw-On	Self-Close	250
B73T558	120°	Full	Dowel	Self-Close	250
B73T559	120°	Full	INSERTA	Self-Close	250
B73T558E	120°	Full	EXPANDO	Self-Close	250

## BLUM CLIP TOP EURO HINGES



### 95° CLIP top Thick Door Hinges



- Three-dimensional adjustment
- Available with INSERTA attachment
- For door thicknesses up to 1-3/16" (30mm)
- All metal hinge, nickel-plated
- Add-on BLUMOTION soft close available

Item #	Opening	Overlay	Fixing	Close Type	Box Qty
B71T955	95°	Full	Screw-on	Self-close	250
B70T955	95°	Full	Screw-on	Free Swing	50
B71T958	95°	Full	Dowel	Self-close	250
B70T958	95°	Full	Dowel	Free Swing	50
B71T959	95°	Full	INSERTA	Self-close	250
B71T965	95°	Half	Screw-on	Self-close	50
B70T965	95°	Half	Screw-on	Free Swing	50
B71T968	95°	Half	Dowel	Self-close	50
B71T969	95°	Half	INSERTA	Self-close	50
B71T975	95°	Inset	Screw-on	Self-close	50
B70T975	95°	Inset	Screw-on	Free Swing	50
B71T978	95°	Inset	Dowel	Self-close	50
B71T979	95°	Inset	INSERTA	Self-close	50



### 170° CLIP top Hinges



- Three-dimensional adjustment
- Available with INSERTA attachment
- For door thicknesses up to 15/16" (24mm)
- 130° angle restriction clip available (B70.6103)
- All metal hinge, nickel-plated
- Add-on BLUMOTION soft close available

Item #	Opening	Overlay	Fixing	Close Type	Box Qty
B71T655	170°	Full	Screw-On	Self-Close	125
B70T655	170°	Full	Screw-On	Free Swing	25
B71T658	170°	Full	Dowel	Self-Close	125
B71T654	170°	Full	INSERTA	Self-Close	125
B70T654	170°	Full	INSERTA	Free Swing	25
B71T665	170°	Half	Screw-On	Self-Close	25
B70T665	170°	Half	Screw-On	Free Swing	25
B71T668	170°	Half	Dowel	Self-Close	25
B71T664	170°	Half	INSERTA	Self-Close	25

A  
B  
C  
D  
E  
F  
G  
H  
I  
J  
K  
L  
M  
N  
O  
P  
Q  
R  
S  
T  
U  
V  
W  
X  
Y

**A BLUM SPECIALTY EURO HINGES**

B  
C  
D  
E  
F  
G  
H  
I  
J  
K  
L  
M  
N  
O  
P  
Q  
R  
S  
T  
U  
V  
W  
X  
Y



**60° CLIP top Bi-Fold Hinges**



- Spiral tech side adjustment for door gap
- Spiral tech depth adjustment for in/out
- Four dimensional adjustment
- All metal hinge, nickel-plated

Item #	Opening	Overlay	Fixing	Close Type	Box Qty
B79T850	60°	Bi-Fold	Screw-On	Self-close	25
B79T853	60°	Bi-Fold	Dowel	Self-close	25



**95° CLIP top Inset Blind Corner Hinges**



- Three-dimensional adjustment
- Available with INSERTA attachment
- For door thicknesses up to 15/16" (24mm)
- All metal hinge, nickel-plated

Item #	Opening	Overlay	Fixing	Close Type	Box Qty
B79T955	95°	Inset Blind Corner	Screw-On	Self-close	50
B79T958	95°	Inset Blind Corner	Dowel	Self-close	50
B79T959	95°	Inset Blind Corner	INSERTA	Self-close	50



**95° CLIP top Overlay Blind Corner Hinges**



- Three-dimensional adjustment
- Available with INSERTA attachment
- For door thicknesses up to 15/16" (24mm)
- All metal hinge, nickel-plated

Item #	Opening	Overlay	Fixing	Close Type	Box Qty
B79T999.37	95°	Overlay Blind Corner	INSERTA	Self-close	50



**120° CLIP top Aluminum Door Hinge for BLUMOTION**



- For use with BLUMOTION 973A
- Three-dimensional adjustment
- For door thicknesses up to 7/8" (22mm)
- All metal hinge, nickel-plated

Item #	Opening	Overlay	Fixing	Close Type	Box Qty
B73T550AB	120°	Full	Screw-On	Self-close	50



## BLUM SPECIALTY EURO HINGES



### 120° CLIP top Aluminum Door Hinge



- Not for use with BLUMOTION 973A
- For door thicknesses up to 7/8" (22mm)

Item #	Opening	Overlay	Fixing	Close Type	Box Qty
B73T550A	120°	Full	Screw-On	Self-close	50
B72T550A.TL	120°	Full	Screw-On	Free Swing	20



### 110° CLIP top Diagonal 45° Hinges



- For door thicknesses up to 3/4" (19mm)
- All metal hinge, nickel-plated

Item #	Opening	Overlay	Fixing	Close Type	Box Qty
B79T555	110°	Diagonal 45°	Screw-On	Self-close	50
B79T558	110°	Diagonal 45°	Dowel	Self-close	50
B79T559	110°	Diagonal 45°	INSERTA	Self-close	50



### 95° CLIP top Mini Hinges



- For small doors or doors with small frames
- Side adjustment of +0.5mm to -3.5mm
- 26mm drill bit required (1" cannot be used)
- For door thicknesses up to 1" (26mm)

Item #	Opening	Overlay	Fixing	Close Type	Box Qty
B71T055	95°	Full	Screw-On	Self-close	50
B71T065	95°	Half	Screw-On	Self-close	50
B71T075	95°	Inset	Screw-On	Self-close	50



### 95° CLIP top Glass Door Hinges

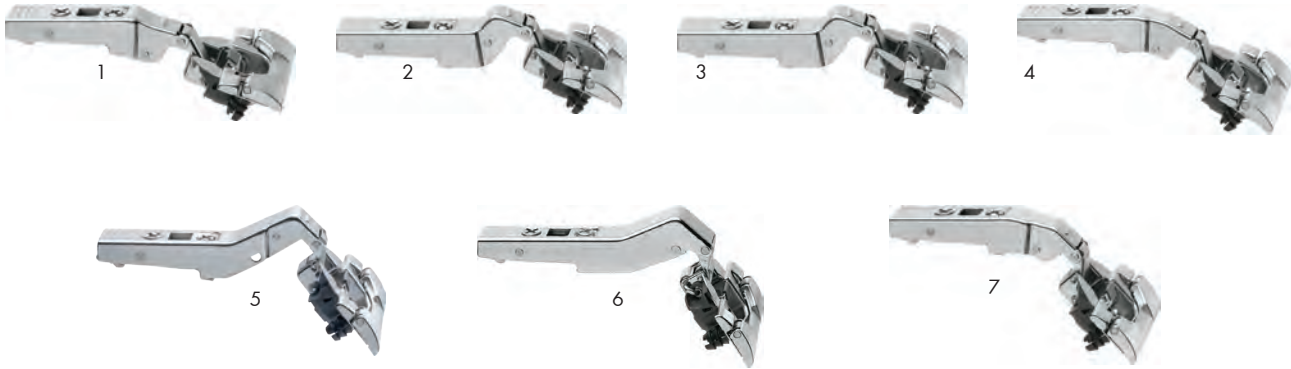


- For glass thickness of 4.5mm to 7mm
- Side adjustment of +0.5mm to -3.5mm
- Fixing screws included
- 26mm drill bit required (1" cannot be used)

Item #	Opening	Overlay	Fixing	Close Type	Box Qty
B75T410	95°	Full	Screw-On	Self-close	50
B75T420	95°	Half	Screw-On	Self-close	50
B75T430	95°	Inset	Screw-On	Self-close	50

**A BLUM ANGLED HINGES**

**Blum Angled CLIP top BLUMOTION & CLIP top Hinges**

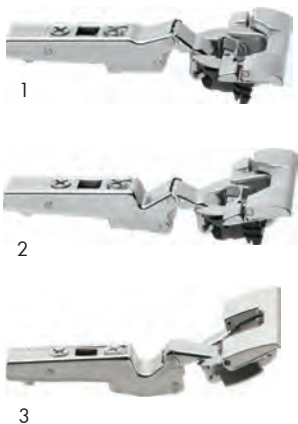


**Positive Angle Hinges**

	Item #	Degree	Fixing	Close Type	Box Qty
1	B79B9494	+15°	INSERTA	CLIP top BLUMOTION	50
	B79A9494T	+15°	INSERTA	CLIP top	50
2	B79B9595	+20°	INSERTA	CLIP top BLUMOTION	50
	B79A9595T	+20°	INSERTA	CLIP top	50
3	B79B9596	+30° II	INSERTA	CLIP top BLUMOTION	50
	B79A9596T	+30° II	INSERTA	CLIP top	50
4	B79B9496	+30° III	INSERTA	CLIP top BLUMOTION	50
	B79A9496T	+30° III	INSERTA	CLIP top	50
5	B79B9698	+45° I	INSERTA	CLIP top BLUMOTION	50
	B79A9698T	+45° I	INSERTA	CLIP top	50
6	B79B3598	+45° II	INSERTA	CLIP top BLUMOTION	50
	B79T559	+45° II	INSERTA	CLIP top	50
7	B79B9498	+45° III	INSERTA	CLIP top BLUMOTION	50
	B79A9498T	+45° III	INSERTA	CLIP top	50

**Negative Angle Hinges**

	Item #	Degree	Fixing	Close Type	Box Qty
1	B79B3493	-15°	INSERTA	CLIP top BLUMOTION	50
	B79A5493T	-15°	INSERTA	CLIP top	50
2	B79B3491	-30°	INSERTA	CLIP top BLUMOTION	50
	B79A5491T	-30°	INSERTA	CLIP top	50
3	B79B3490	-45°	INSERTA	CLIP top BLUMOTION	50
	B79A5490T	-45°	INSERTA	CLIP top	50

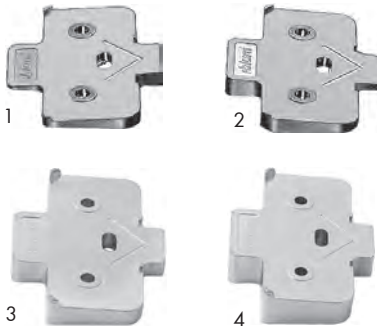


**BLUM ANGLED HINGES**



**Standard Thick Door Hinges Used in Angled Applications**

	Item #	Degree	Overlay	Fixing	Closing Type	Box Qty
1	B71B959	95°	Full	INSERTA	CLIP top BLUMOTION	250
	B71T959	95°	Full	INSERTA	CLIP top	250
2	B71B969	95°	Half	INSERTA	CLIP top BLUMOTION	50
	B71T969	95°	Half	INSERTA	CLIP top	50
3	B71B979	95°	Inset	INSERTA	CLIP top BLUMOTION	50
	B71T979	95°	Inset	INSERTA	CLIP top	50



**Angled Spacer Wedges for Positive and Negative Angled Hinges**

	Item #	Thickness	Degree	Box Qty
1	B171A5500	2mm	-5°	50
2	B171A5010	4mm	+5°	50
3	B171A5040	5mm	+5°	50
4	B171A5070	7mm	+5°	50

A  
B  
C  
D  
E  
F  
G  
H  
I  
J  
K  
L  
M  
N  
O  
P  
Q  
R  
S  
T  
U  
V  
W  
X  
Y

**A** **BLUM ONYX BLACK EURO HINGES**

**B**  
**C**  
**D**  
**E**  
**F**  
**G**  
**H**  
**I**  
**J**  
**K**  
**L**  
**M**  
**N**  
**O**  
**P**  
**Q**  
**R**  
**S**  
**T**  
**U**  
**V**  
**W**  
**X**  
**Y**

**Blum Onyx Black Euro Hinges**



- Surface finish for better integration into darker cabinets
- High quality mounting plates with convenient cam height adjustment



110° CLIP top BLUMOTION Hinges					
Item #	Opening	Overlay	Fixing	Close Type	Box Qty
B71B355-BK	110°	Full	Screw-On	Soft-close	250
B71B358-BK	110°	Full	Dowel	Soft-close	250
B71B359-BK	110°	Full	INSERTA	Soft-close	250
B71B365-BK	110°	Half	Screw-On	Soft-close	250
B71B369-BK	110°	Half	INSERTA	Soft-close	250
B71B375-BK	110°	Inset	Screw-On	Soft-close	250
B71B379-BK	110°	Inset	INSERTA	Soft-close	250



110°+ CLIP top BLUMOTION Hinges					
Item #	Opening	Overlay	Fixing	Close Type	Box Qty
B73B355-BK	110°+	Full	Screw-On	Soft-close	250
B73B359-BK	110°+	Full	INSERTA	Soft-close	250



95° CLIP top BLUMOTION Thick Door Hinges					
Item #	Opening	Overlay	Fixing	Close Type	Box Qty
B71B955-BK	95°	Full	Screw-On	Soft-close	250
B71B958-BK	95°	Full	Dowel	Soft-close	250
B71B959-BK	95°	Full	INSERTA	Soft-close	250
B71B965-BK	95°	Half	Screw-On	Soft-close	50
B71B969-BK	95°	Half	INSERTA	Soft-close	50
B71B975-BK	95°	Inset	Screw-On	Soft-close	50
B71B979-BK	95°	Inset	INSERTA	Soft-close	50



155° CLIP top BLUMOTION Zero Protrusion Hinges					
Item #	Opening	Overlay	Fixing	Close Type	Box Qty
B71B755-BK	155°	Full	Screw-On	Soft-close	125
B71B758-BK	155°	Full	Dowel	Soft-close	125
B71B759-BK	155°	Full	INSERTA	Soft-close	125
B71B769-BK	155°	Half	INSERTA	Soft-close	25

**BLUM ONYX BLACK EURO HINGES**

**Blum Onyx Black Euro Hinges**



- Surface finish for better integration into darker cabinets
- High quality mounting plates with convenient cam height adjustment



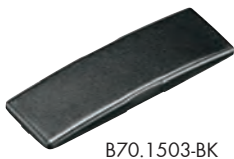
**CLIP top BLUMOTION Specialty Hinges**

	Item #	Opening	Hinge Type	Fixing	Close Type	Box Qty
1	B79B955-BK	95°	Inset Blind Corner	Screw-On	Soft-close	50
	B79B958-BK	95°	Inset Blind Corner	Dowel	Soft-close	50
	B79B959-BK	95°	Inset Blind Corner	INSERTA	Soft-close	50
2	B79B9698-BK	95°	+45° I Angled	INSERTA	Soft-close	50
3	B79B3598-BK	110°	+45° II Angled	INSERTA	Soft-close	50



**CLIP Mounting Plates**

	Item #	Height	Plate Type	Fixing Type	Box Qty
1	B174H7100E-BK	0mm	Wing	EXPANDO	500
2	B175H3100-BK	0mm	Inline	Screw-On	500

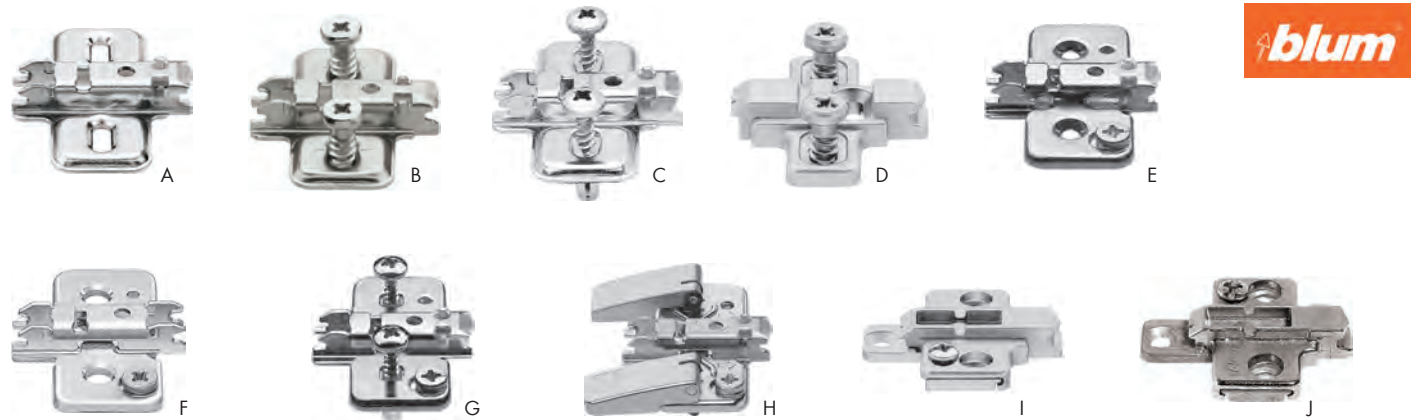


**95° CLIP top BLUMOTION Thick Door Hinges**

Item #	Description	Box Qty
B70.1503-BK	Blank Arm Cover Cap for Full Overlay Hinges	1,000
B70.1553-BK	Blank Arm Cover Cap for Angled Hinges	1,000
B70.4503-BK	Hinge Arm Cover Cap for Zero Protrusion Hinges	1,000
B70T3504-BK	Blank Cup Cover Cap for 110° Hinges	1,000
B70T7504-BK	Blank Cup Cover Cap for 125° & 155° Zero Protrusion Hinges	1,000

A  
B  
C  
D  
E  
F  
G  
H  
I  
J  
K  
L  
M  
N  
O  
P  
Q  
R  
S  
T  
U  
V  
W  
X  
Y

**A BLUM CLIP MOUNTING PLATES**



	Item #	Height	Fixing Type	Material	Box Qty
<b>Standard One-Piece Wing Mounting Plates</b>					
A	B173L610	0mm	Wood Screw	Stamped Steel	500
	B173L613	3mm	Wood Screw	Stamped Steel	500
B	B173L810	0mm	Pre-mounted 5mm System Screws	Stamped Steel	500
	B173L813	3mm	Pre-mounted 5mm System Screws	Stamped Steel	500
C	B174E610	0mm	EXPANDO	Stamped Steel	500
	B174E610Z	0mm	EXPANDO (twin application)	Stamped Steel	500
D	B175L810	0mm	Pre-mounted 5mm System Screws	Zinc Die-cast	500
	B175L813	3mm	Pre-mounted 5mm System Screws	Zinc Die-cast	500
	B175L819	9mm	Pre-mounted 5mm System Screws	Zinc Die-cast	250
<b>Cam Adjustable Wing Mounting Plates</b>					
E	B173H7100	0mm	Wood Screw	Stamped Steel	500
	B173H7130	3mm	Wood Screw	Stamped Steel	50
F	B173H910	0mm	Wood Screw or System Screw	Stamped Steel	500
	B173H9130	3mm	Wood Screw or System Screw	Stamped Steel	500
G	B174H7100E	0mm	EXPANDO	Stamped Steel	500
	B174H7130E	3mm	EXPANDO	Stamped Steel	500
	B174H710ZE	0mm	EXPANDO (twin application)	Stamped Steel	500
H	B174H7100I	0mm	INSERTA	Stamped Steel	250
	B174H7130I	3mm	INSERTA	Stamped Steel	50
<b>Standard Two-Piece Wing Mounting Plates</b>					
I	B175H710	0mm	Wood Screw	Zinc Die-cast	500
	B175H713	3mm	Wood Screw	Zinc Die-cast	50
	B175H719	9mm	Wood Screw	Zinc Die-cast	250
J	B175H910	0mm	Wood Screw or System Screw	Zinc Die-cast	500
	B175H913	3mm	Wood Screw or System Screw	Zinc Die-cast	50
	B175H916	6mm	Wood Screw or System Screw	Zinc Die-cast	50
	B175H919	9mm	Wood Screw or System Screw	Zinc Die-cast	250
	B175H919.22	18mm	Wood Screw or System Screw	Zinc Die-cast	250

**BLUM CLIP MOUNTING PLATES**



A



B



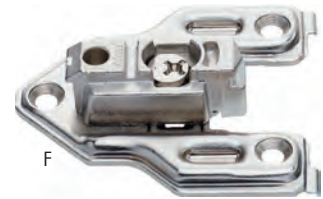
C



D



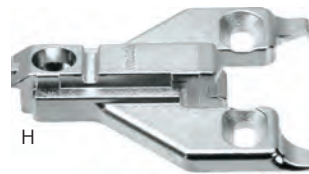
E



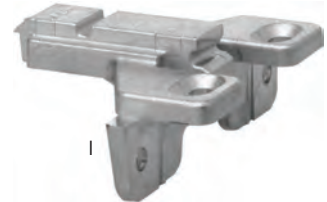
F



G



H



I

	Item #	Height	Fixing Type	Material	Box Qty
<b>Standard One-Piece Wing Mounting Plates</b>					
A	B175H3100	0mm	Wood Screw	Stamped Steel	500
B	B177H3100	0mm	Dowel	Stamped Steel	500
C	B177H3100E	0mm	EXPANDO	Stamped Steel	500
	B177H3130E	3mm	EXPANDO	Stamped Steel	500
<b>Inset Face Frame Adapter</b>					
D	B175H5030.21	9mm	Truss Head Screw	Zinc Die-cast	250
<b>Face Frame Adapter Plates - Use #7 x 3/4" Wood Screws</b>					
E	B175H6000	0mm	Cam Adjustable Center Mount	Zinc Die-cast	250
	B175H6030	3mm	Cam Adjustable Center Mount	Zinc Die-cast	250
	B175H6040	4.5mm	Cam Adjustable Center Mount	Zinc Die-cast	250
	B175H6060	6mm	Cam Adjustable Center Mount	Zinc Die-cast	250
F	B175H6600	0mm	Cam Adjustable Off-Center Mount	Zinc Die-cast	250
G	B175L6030.21	3mm	Center Mount	Zinc Die-cast	500
H	B175L6600.22	0mm	Off-Center Mount	Zinc Die-cast	500
	B175L6630.22	3mm	Off-Center Mount	Zinc Die-cast	500
	B175L6660.22	6mm	Off-Center Mount	Zinc Die-cast	250
I	B175L6600.24	0mm	With Flange	Zinc Die-cast	250



Accessory Items	
Item #	Description
AN608520	Vix Bit, 1/4" Hex Shank, #6 Screw
AN630520	Replacement Bit for above

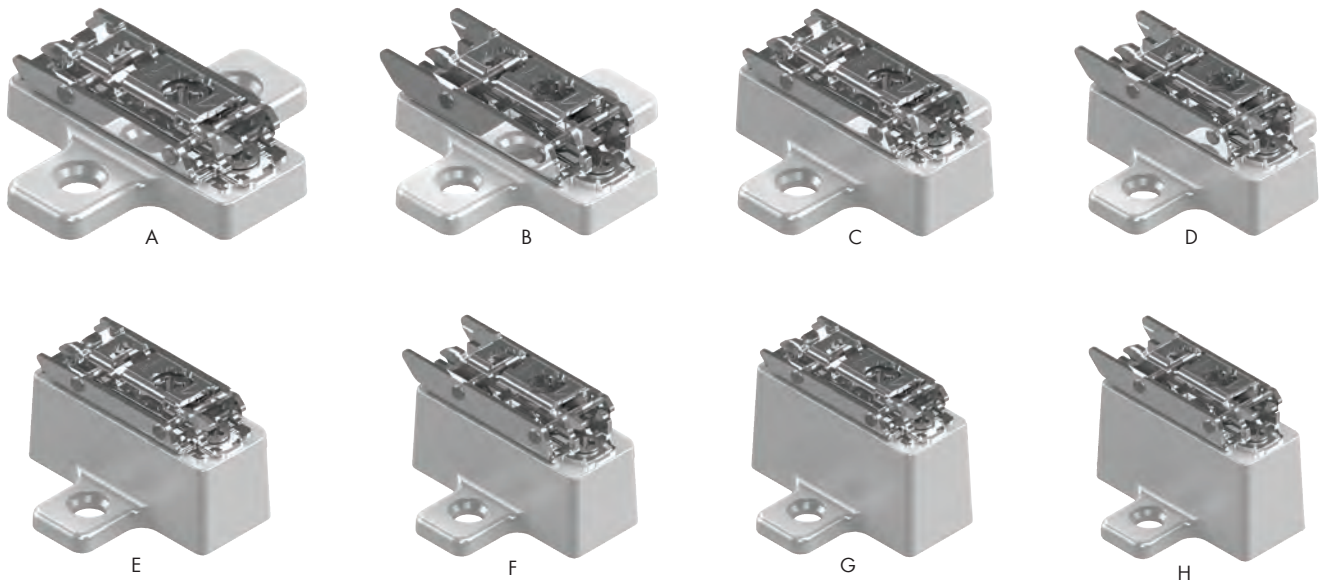
A  
B  
C  
D  
E  
F  
G  
H  
I  
J  
K  
L  
M  
N  
O  
P  
Q  
R  
S  
T  
U  
V  
W  
X  
Y

**A BLUM CAM ADJUSTABLE MOUNTING PLATES**

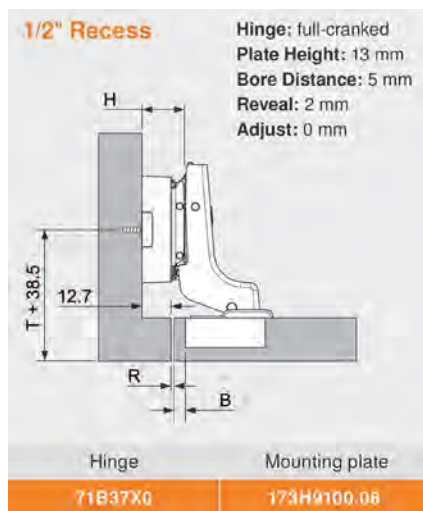
**B Blum CAM Adjustable Thick Mounting Plates**



- Can be used on both face frame and frameless cabinet applications
- Five plates come in heights that help avoid blocking out in inset applications, by matching the recess behind the face frame
- Cam height adjustment of +/- 2mm
- Steel, nickel-plated with zinc adapter
- Attached with #7 x 5/8" wood screws or 5mm x 13mm euro screws



**Sample Application**



	Item #	Height	Inset Recess	Box Qty
A	B173H9100.04	6mm	1/4"	250
B	B173H9130.06	9mm	3/8"	250
C	B173H9100.08	13mm	1/2"	250
D	B173H9130.10	16mm	5/8"	250
E	B173H9100.12	19mm	3/4"	250
F	B173H9130.14	22mm	7/8"	250
G	B173H9100.16	25mm	1"	250
H	B173H9130.18	29mm	1-1/8"	250



## BLUM EURO HINGE ACCESSORIES

### Hinge Arm Cover Caps



B70.1503



B70.1503.BP  
(Blum logo)



B70.1663



B70.4503



B80.6507



B90M2103BK



Steel Item #	Nylon Item #	Overlays	For Use With	Box Qty
B70.1503	B90M2103BK	Full Overlay	100°, 107°, 110°, 110°+, 120°, 120°+, Thick Door, Bi-Fold, Diagonal 45°, Blind Corner, and Narrow Aluminum Door Hinges	1,000
B70.1503.BP	-	Full Overlay with Embossed Blum Logo		1,000
B70.1663	-	Inset		1,000
B70.4503	-	All Overlays	125°/155° Hinges	1,000
B80.6507	-	All Overlays	170° Hinges	1,000



### Hinge Cup Spacer

- 1.5mm spacer for use under the hinge cup
- Use to retrofit existing doors with a cup depth less than 13mm
- Non-stackable
- Gray nylon
- Not for use with INSERTA hinges

Item #	Box Qty
B70T3507.21	250



### Hinge Cup Cover Cap for BLUMOTION Hinges

- For use with CLIP top BLUMOTION hinges
- Suitable for screw-on, dowel and EXPANDO hinge cups
- Can also be used with CLIP top 110° and 110°+ hinges
- Steel, nickel-plated

Item #	Box Qty
B70T3504	1,000

**A BLUM EURO HINGE ACCESSORIES**

**B**  
**C**  
**D**  
**E**  
**F**  
**G**  
**H**  
**I**  
**J**  
**K**  
**L**  
**M**  
**N**  
**O**  
**P**  
**Q**  
**R**  
**S**  
**T**  
**U**  
**V**  
**W**  
**X**  
**Y**



**Hinge Cover Cap for CLIP top Hinges**



- For use with CLIP top hinges only
- Suitable for screw-on, dowel and EXPANDO hinge cups for CLIP top 107°, 120°, 120°+, thick door and blind corner hinges
- Clip on attachment/removal
- Steel, nickel-plated

Item #	Box Qty
B70T1504	1,000



**Hinge Cover Cap for Zero Protrusion Hinges**



- For use with Zero Protrusion CLIP top and CLIP top BLUMOTION hinges
- Clip on attachment/removal
- Steel, nickel-plated

Item #	Finish	Box Qty
B70T7504	Nickel	1,000
B70T7504-BK	Black	1,000



**3mm Spacer**



- Reduces overlays by 3mm
- Mounts under CLIP wing mounting plates
- Stackable
- Gray nylon

Item #	Box Qty
B181.6130	50

**BLUM EURO HINGE ANGLE RESTRICTION CLIPS**

A  
B  
C  
D  
E  
F  
G  
H  
I  
J  
K  
L  
M  
N  
O  
P  
Q  
R  
S  
T  
U  
V  
W  
X  
Y

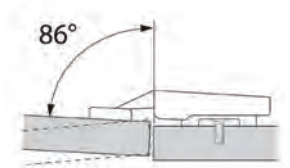


**Angle Restriction Clip for 107° Hinges**

- Reduces opening angle of the CLIP top and CLIP 107° hinges to 86°
- For use with CLIP top and CLIP 107° hinges only
- Installs quickly, easily and tool-free
- Non-removable
- Black nylon



Item #	Box Qty
B74.1103	250



**Angle Restriction Clip for 110° Hinges**

- Reduces opening angle of the CLIP top 110° and 110°+ hinges to 86°
- For use with CLIP top 110° and 110°+ hinges only
- Installs quickly, easily and tool-free either before or after the hinge has been installed
- Black nylon



Item #	Box Qty
B70T3553	250

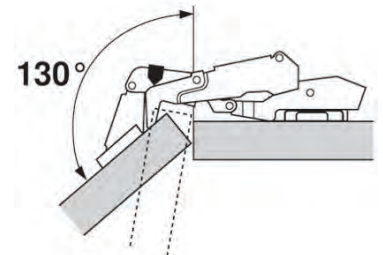


**Angle Restriction Clip for 170° Hinges**

- Reduces opening angle of the CLIP top 170° hinge to 130°
- Required for special applications of the 170° hinge
- Installs quickly, easily and tool-free
- Black nylon



Item #	Box Qty
B70.6103	250



**Angle Restriction Clips for Zero Protrusion Hinges**

- Reduces opening angle of CLIP top 155° hinge to 110° or 92°
- For use with 155°/125° hinges only
- Installs quickly, easily and tool-free
- Gray nylon



Item #	Description	Box Qty
B70T7553	110° for 155° / 92° for 125°	250
B70T7553.09	92° for 155°	250

**A BLUMOTION SOFT-CLOSE DEVICES FOR BLUM EURO HINGES**

**B**  
**C**  
**D**  
**E**  
**F**  
**G**  
**H**  
**I**  
**J**  
**K**  
**L**  
**M**  
**N**  
**O**  
**P**  
**Q**  
**R**  
**S**  
**T**  
**U**  
**V**  
**W**  
**X**  
**Y**

**BLUM 973A BLUMOTION for CLIP Hinges**



- Soft-closing feature for CLIP top and CLIP hinges
- Offers the same quality of motion as drawer systems with BLUMOTION
- Automatically adjusts to the closing force of the door
- Simple attachment to the hinge arm
- Nickel-plated steel and gray nylon



For Full Overlay Hinges		
For Use With	Item #	Box Qty
CLIP top 107°, CLIP top 110°, CLIP top 110°+, CLIP top 120°, CLIP top 120°+, CLIP top 95° thick door, CLIP top 120° aluminum door, CLIP 100°	B973A0500.01	500



For Half Overlay Hinges		
For Use With	Item #	Box Qty
CLIP top 110°, CLIP top 120°, CLIP top 95° thick door, CLIP 100°	B973A0600	250



For Inset Hinges		
For Use With	Item #	Box Qty
CLIP top 110°, CLIP top 95° thick door, CLIP 100°	B973A0700	250



For 170° Hinges		
For Use With	Item #	Box Qty
CLIP top 170° - Full & Half Overlay	B973A6000	125

**BLUMOTION SOFT-CLOSE DEVICES FOR BLUM EURO HINGES**

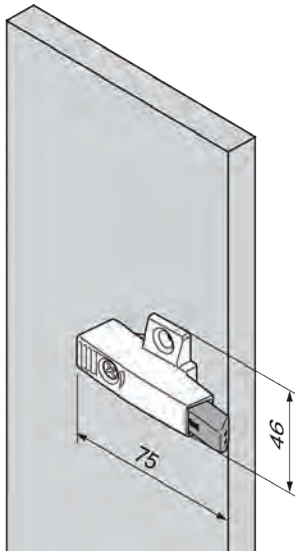
A  
B  
C  
D  
E  
F  
G  
H  
I  
J  
K  
L  
M  
N  
O  
P  
Q  
R  
S  
T  
U  
V  
W  
X  
Y



**BLUM 971A BLUMOTION for CLIP Hinges**



- Soft-closing feature for CLIP top and CLIP full overlay hinges
- Offers the same quality of motion as drawer systems with BLUMOTION
- Adjustable to various door sizes and weights (+3/-7mm range)
- Installed onto hinge-side panel
- For use with full overlay hinge and either 0mm or 3mm mounting plate only
- Nickel-plated steel and gray nylon



**Wing Plate (Screw-on)**

- 37mm setback, 32mm apart
- Attach with #6 x 5/8" wood screws
- Nickel-plated steel and gray nylon

Item #	Box Qty
B971A0500	25

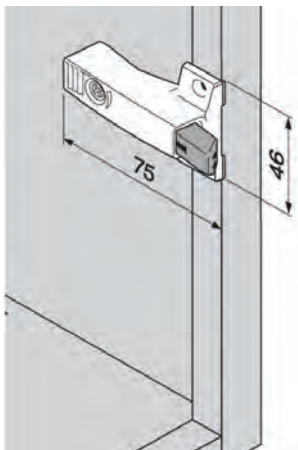


**Face Frame Adapter Plate (Screw-On)**



- 9.5mm setback, 32mm apart
- Attach with #6 x 5/8" wood screws
- Nickel-plated steel and gray nylon

Item #	Box Qty
B971A0700	25



**A BLUMOTION SOFT-CLOSE DEVICES FOR BLUM EURO HINGES**

**B**  
**C**  
**D**  
**E**  
**F**  
**G**  
**H**  
**I**  
**J**  
**K**  
**L**  
**M**  
**N**  
**O**  
**P**  
**Q**  
**R**  
**S**  
**T**  
**U**  
**V**  
**W**  
**X**  
**Y**



**BLUM 970A BLUMOTION for CLIP Hinges**



- Soft-closing feature for CLIP top and CLIP hinges
- Offers the same quality of motion as drawer systems with BLUMOTION
- Automatically adjusts to the closing force of the door
- Installed into the top and/or bottom panel or with adapter plates on hinge-side
- Gray nylon

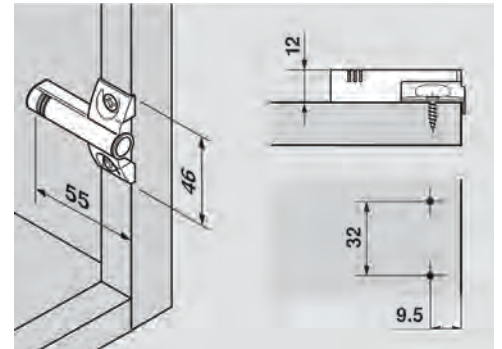
Item #	Box Qty
B970A1002	50



**Face Frame Adapter (Screw-On)**

- 9.5mm setback, 32mm apart
- Can also be used in panel cabinets
- Attach with #6 x 5/8" wood screws
- Steel, nickel-plated

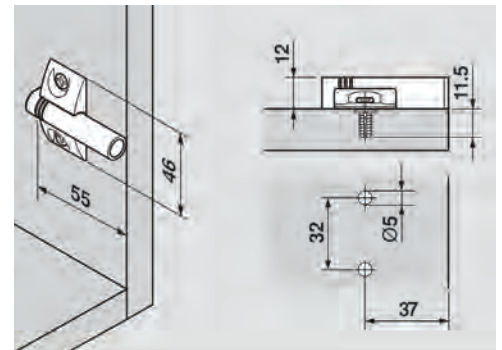
Item #	Box Qty
B970.5701	50



**Wing Adapter (EXPANDO)**

- 37mm setback, 32mm apart
- EXPANDO version installs with pre-attached screws
- Steel, nickel-plated

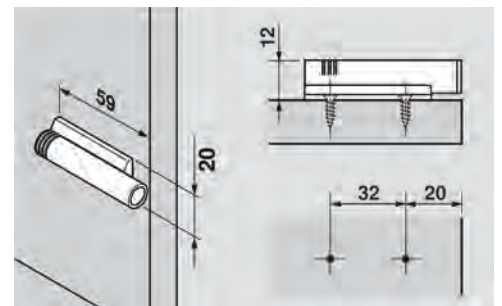
Item #	Box Qty
B970.55E1	50



**In-line Adapter (Screw-On)**

- 20mm setback, 32mm apart
- Two-piece design
- Attach with #6 x 5/8" wood screws
- Steel, nickel-plated and gray nylon

Item #	Box Qty
B970.5201	50



**BLUM TIP-ON FOR DOORS**



**TIP-ON Set for Standard Door**



- Nylon unit with magnetic tip
- Adjustment range +4mm to -1mm
- For use with Blum CLIP free swing hinges
- For door heights less than 48"
- Works for both overlay and inset applications
- Can be bored into the panel or used with an adapter plate
- Set includes: TIP-ON unit, self-adhesive catch plate, screw-on catch plate, and wood screw

Item #	Finish	Box Qty
B956.1004	Gray	50
B956.1004BL	Black	50
B956.1004WH	White	50



**TIP-ON Set for Large Door**



- Nylon unit with magnetic tip
- Adjustment range +4mm to -1mm
- For use with Blum CLIP free swing hinges
- For door heights greater than 48"
- Works for both overlay and inset applications
- Can be bored into the panel or used with an adapter plate
- Set includes: TIP-ON unit, self-adhesive catch plate, screw-on catch plate, and wood screw

Item #	Finish	Box Qty
B956A1004	Gray	50
B956A1004BL	Black	50
B956A1004WH	White	50



**TIP-ON Unit for Self/Soft Close Hinges**



- Nylon unit with bumper tip
- Adjustment range +4mm to -1mm
- For use with Blum self/soft close hinges
- For door widths greater than 10"
- Works for both overlay and inset applications
- Can be bored into the panel or used with an adapter plate

Item #	Finish	Box Qty
B956A1006	Gray	250
B956A1006BL	Black	250
B956A1006WH	White	250

**A BLUM TIP-ON FOR DOORS**

**B**  
**C**  
**D**  
**E**  
**F**  
**G**  
**H**  
**I**  
**J**  
**K**  
**L**  
**M**  
**N**  
**O**  
**P**  
**Q**  
**R**  
**S**  
**T**  
**U**  
**V**  
**W**  
**X**  
**Y**



**TIP-ON In-line Adapter Plate for Standard Door**



- In-line adapter plate for standard door
- Two-piece, screw-on baseplate
- 20mm setback, 17mm apart
- Door gap factory setting 2mm
- Nylon

Item #	Finish	Box Qty
B956.1201	Gray	250
B956.1201BL	Black	50
B956.1201WH	White	250
B956.1201NK	Nickel	50



**TIP-ON In-line Adapter Plate for Large Door**



- In-line adapter plate for large door
- Two-piece, screw-on baseplate
- 20mm setback, 32mm apart
- Door gap factory setting 2mm
- Nylon

Item #	Finish	Box Qty
B956A1201	Gray	250
B956A1201BL	Black	50
B956A1201WH	White	250
B956A1201NK	Nickel	50



**TIP-ON Wing Adapter Plate for Large Door**



- Wing adapter plate for large door
- One-piece, screw-on wing plate
- 37mm setback, 32mm apart
- Door gap factory setting 2mm
- Gray nylon

Item #	Finish	Box Qty
B956A1501	Gray	250



**BLUM COMPACT CLIP FACE FRAME HINGES W/SOFT-CLOSE**

A  
B  
C  
D  
E  
F  
G  
H  
I  
J  
K  
L  
M  
N  
O  
P  
Q  
R  
S  
T  
U  
V  
W  
X  
Y

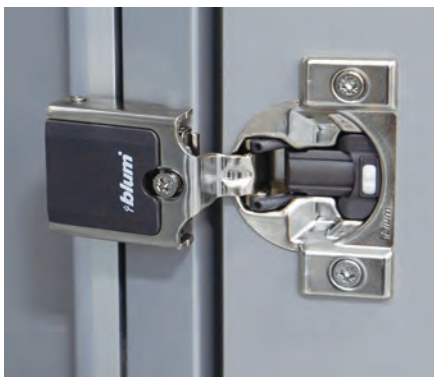


**COMPACT CLIP 30C2, 7/16" Cup Depth**



- 108° opening angle
- Utilizes CLIP technology, so doors can be attached and removed tool-free
- 3-dimensional cam adjustment w/directional arrows for precise adjustability
- Pre-mounted screw for time-saving and precise installation
- 3-dimensional cam adj: Height  $\pm 5/64"$  / Side-to-Side  $\pm 1/16"$  / Depth  $+3/32"$ ,  $-1/32"$

Screw-On Item #	Dowel Item #	Overlay	Mount	Close	Finish	Box Qty
-	B30C258B.05	5/16"	Wraparound	Soft-Closing	Nickel	250
B30C255B.06	B30C258B.06	3/8"	Wraparound	Soft-Closing	Nickel	250
-	B30C258C.07	7/16"	Wraparound	Soft-Closing	Nickel	250
B30C255B.08	B30C258C.08	1/2"	Wraparound	Soft-Closing	Nickel	250
B30C255B.E8	B30C258C.E8	1/2"	Edge	Soft-Closing	Nickel	250
B30C255B.10	B30C258C.10	5/8"	Wraparound	Soft-Closing	Nickel	250
B30C255B.12	B30C258C.12	3/4"	Wraparound	Soft-Closing	Nickel	250



**COMPACT CLIP 31C1, 7/16" Cup Depth**



- 108° opening angle
- Utilizes CLIP technology, so doors can be attached and removed tool-free
- 3-dimensional cam adjustment w/directional arrows for precise adjustability
- Pre-mounted screw for time-saving and precise installation
- 3-dimensional cam adj: Height  $\pm 5/64"$  / Side-to-Side  $\pm 1/16"$  / Depth  $+3/32"$ ,  $-1/32"$

Screw-On Item #	Dowel Item #	Overlay	Mount	Close	Finish	Box Qty
-	B31C158C.20	1-1/4"	Wraparound	Soft-Closing	Nickel	250



**COMPACT CLIP 31C3, 1/2" Cup Depth**



- 108° opening angle
- Utilizes CLIP technology, so doors can be attached and removed tool-free
- 3-dimensional cam adjustment w/directional arrows for precise adjustability
- Pre-mounted screw for time-saving and precise installation
- 3-dimensional cam adj: Height  $\pm 5/64"$  / Side-to-Side  $\pm 1/16"$  / Depth  $+3/32"$ ,  $-1/32"$

Screw-On Item #	Dowel Item #	Overlay	Mount	Close	Finish	Box Qty
B31C355B.16	B31C358B.16	1"	Wraparound	Soft-Closing	Nickel	250
B31C355B.20	B31C358B.20	1-1/4"	Wraparound	Soft-Closing	Nickel	250
B31C355B.21	B31C358B.21	1-5/16"	Wraparound	Soft-Closing	Nickel	250
B31C355B.22	B31C358B.22	1-3/8"	Wraparound	Soft-Closing	Nickel	250
B31C355B.24	B31C358B.24	1-1/2"	Wraparound	Soft-Closing	Nickel	250
-	B31C358B.25	1-9/16"	Wraparound	Soft-Closing	Nickel	250

**A BLUM COMPACT CLIP HINGE ACCESSORIES**

B  
C  
D  
E  
F  
G  
H  
I  
J  
K  
L  
M  
N  
O  
P  
Q  
R  
S  
T  
U  
V  
W  
X  
Y



**Hinge Arm Cover Caps**

- Steel, nickel-plated caps
- Available blank or embossed (Blum logo)
- Also available with printed custom logo (Special order - minimum order quantity applies)



Blum Logo Item #	Blank Item #	Designed For	Box Qty
B30C2508.BL	B30C2508	Large Overlay 30C2 / 31C1 / 31C3 Compact CLIP Hinges	1,000
B31C1508.BL	B31C1508	Small Overlay 30C2 / 31C1 / 31C3 Compact CLIP Hinges	1,000



**Angle Restriction Clip**

- Restricts opening angle of the COMPACT CLIP hinge to 86°
- Clip must be inserted before the hinge has been attached to the face frame
- Gray nylon



Item #	Box Qty
B38C315B3	250

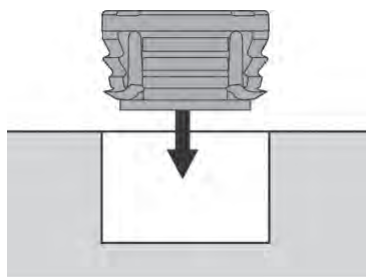


**Hinge Cup Spacer**

- 1/16" spacer for use under the hinge cup for thin or profile doors
- Non-stackable
- Gray nylon



Item #	Box Qty
B38C355B9	250



**8mm Dowels**

- 8mm Dowels for Blum's COMPACT CLIP hinges: 30C2, 31C1 and 31C3



Item #	Box Qty
B30C258	1,000

**BLUM COMPACT SOFT-CLOSE FACE FRAME HINGES**



**COMPACT BLUMOTION 38N Hinges for Partial Overlay**



- BLUMOTION integrated into the hinge cup
- Deactivation switch for small/light doors
- Overload safety feature
- 7/16" cup depth
- Edge mount available in 1/2" overlay

Item #	Opening	Overlay	Fixing	Mount	Box Qty
B38N358B.05	105°	5/16"	Dowel	Wraparound	250
B38N355B.06	105°	3/8"	Screw-On	Wraparound	250
B38N358B.06	105°	3/8"	Dowel	Wraparound	250
B38N355B.08	105°	1/2"	Screw-On	Wraparound	250
B38N358B.08	105°	1/2"	Dowel	Wraparound	250
B38N355BE08	105°	1/2"	Screw-On	Edge	250
B38N358BE08	105°	1/2"	Dowel	Edge	250
B38N355B.10	105°	5/8"	Screw-On	Wraparound	250
B38N358B.10	105°	5/8"	Dowel	Wraparound	250
B38N355B.12	105°	3/4"	Screw-On	Wraparound	250
B38N358B.12	105°	3/4"	Dowel	Wraparound	250



**COMPACT BLUMOTION 39C Hinges for Full Overlay**



- BLUMOTION integrated into the hinge cup
- Deactivation switch for small/light doors
- Overload safety feature
- One-piece wraparound hinge
- 1/2" cup depth
- Less minimum reveal

Item #	Opening	Overlay	Fixing	Mount	Box Qty
B39C355B.16	110°	1"	Screw-On	Wraparound	300
B39C358B.16	110°	1"	Dowel	Wraparound	300
B39C355B.20	110°	1-1/4"	Screw-On	Wraparound	300
B39C358B.20	110°	1-1/4"	Dowel	Wraparound	300
B39C355B.21	110°	1-5/16"	Screw-On	Wraparound	300
B39C358B.21	110°	1-5/16"	Dowel	Wraparound	300
B39C355B.22	110°	1-3/8"	Screw-On	Wraparound	300
B39C358B.22	110°	1-3/8"	Dowel	Wraparound	300
B39C355B.24	110°	1-1/2"	Screw-On	Wraparound	300
B39C358B.24	110°	1-1/2"	Dowel	Wraparound	300
B39C355B.25	110°	1-9/16"	Screw-On	Wraparound	300
B39C358B.25	110°	1-9/16"	Dowel	Wraparound	300

A  
B  
C  
D  
E  
F  
G  
H  
I  
J  
K  
L  
M  
N  
O  
P  
Q  
R  
S  
T  
U  
V  
W  
X  
Y

**A** **BLUM COMPACT SOFT-CLOSE FACE FRAME HINGES**

**B**  
**C**  
**D**  
**E**  
**F**  
**G**  
**H**  
**I**  
**J**  
**K**  
**L**  
**M**  
**N**  
**O**  
**P**  
**Q**  
**R**  
**S**  
**T**  
**U**  
**V**  
**W**  
**X**  
**Y**



**COMPACT BLUMOTION 38C Hinges for Full Overlay**



- BLUMOTION integrated into the hinge cup
- Deactivation switch for small/light doors
- Overload safety feature
- One-piece wraparound hinge
- 7/16" cup depth
- Ideal for profiled doors

Item #	Opening	Overlay	Fixing	Mount	Box Qty
B38C355B.20	107°	1-1/4"	Screw-On	Wraparound	300
B38C358B.20	107°	1-1/4"	Dowel	Wraparound	300



**COMPACT BLUMOTION 38B Hinges for Face Mount**



- BLUMOTION integrated into the hinge cup
- Deactivation switch for small/light doors
- Overload safety feature
- One-piece face mount hinge
- 7/16" cup depth
- Ideal for large overlays or refacing of cabinets

Item #	Opening	Overlay	Fixing	Mount	Box Qty
B38B355BF22	107°	1-3/8" or greater	Screw-On	Face Mount	250
B38B358BF22	107°	1-3/8" or greater	Dowel	Face Mount	250

**BLUM COMPACT SOFT-CLOSE HINGE ACCESSORIES**



**Hinge Arm Cover Caps**



- Steel, nickel-plated caps
- Available blank or embossed (Blum logo)
- Also available with printed custom logo (Special order - minimum order quantity applies)

Item #	Description	Box Qty
B38C3508	39C/38C Blank Cover Cap	1,000
B38N3508B	38N Blank Cover Cap	1,000



**Angle Restriction Clip**



- Restricts opening angle of the COMPACT BLUMOTION hinge to 86°
- Clip must be inserted before the hinge has been attached to the face frame
- Gray nylon

Item #	Box Qty
B38C315B3	250



**Hinge Cup Spacer**



- 1/16" spacer for use under the hinge cup for thin or profile doors
- Non-stackable
- Gray nylon

Item #	Box Qty
B38C355B9	250



**Distance Spacer**



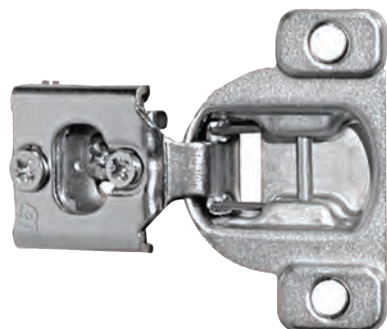
- Steel spacer decreases door overlay in 1/32" increments
- Can be stacked to achieve desired overlay reduction
- Steel, zinc-coated

Item #	Box Qty
B36.3515	1,000

A  
B  
C  
D  
E  
F  
G  
H  
I  
J  
K  
L  
M  
N  
O  
P  
Q  
R  
S  
T  
U  
V  
W  
X  
Y

**A BLUM COMPACT SELF-CLOSE FACE FRAME HINGES**

B  
C  
D  
E  
F  
G  
H  
I  
J  
K  
L  
M  
N  
O  
P  
Q  
R  
S  
T  
U  
V  
W  
X  
Y



**COMPACT 38N Hinges for Partial Overlay**



- 105° opening angle
- One piece assembly
- Wraparound or edge mount
- 7/16" cup depth
- ±1/8" height adjustment
- ±1/16" side adjustment
- +3/32", -1/32" cam depth adjustment
- Steel, nickel-plated
- Can be used with BLUMOTION 971A9700

Item #	Opening	Overlay	Fixing	Mount	Box Qty
B38N355.06	105°	3/8"	Screw-On	Wraparound	250
B38N358.06	105°	3/8"	Dowel	Wraparound	250
B38N355.08	105°	1/2"	Screw-On	Wraparound	250
B38N358.08	105°	1/2"	Dowel	Wraparound	250
B38N358CE.08	105°	1/2"	Dowel	Edge	250
B38N355CE08	105°	1/2"	Screw-On	Edge	250
B38N355.10	105°	5/8"	Screw-On	Wraparound	250
B38N358.10	105°	5/8"	Dowel	Wraparound	250
B38N355C.12	105°	3/4"	Screw-On	Wraparound	250
B38N358.12	105°	3/4"	Dowel	Wraparound	250



**COMPACT 39C Hinges for Full Overlay**



- 110° opening angle
- One piece assembly
- Wraparound mount
- 1/2" cup depth
- ±1/8" height adjustment
- ±1/16" side adjustment
- +3/32", -1/32" cam depth adjustment
- Steel, nickel-plated
- Can be used with BLUMOTION 971A9700

Item #	Opening	Overlay	Fixing	Mount	Box Qty
B39C358C.16	110°	1"	Dowel	Wraparound	300
B39C358C.20	110°	1-1/4"	Dowel	Wraparound	300
B39C358C.22	110°	1-3/8"	Dowel	Wraparound	300
B39C358C.24	110°	1-1/2"	Dowel	Wraparound	300

## BLUM COMPACT SELF-CLOSE FACE FRAME HINGES



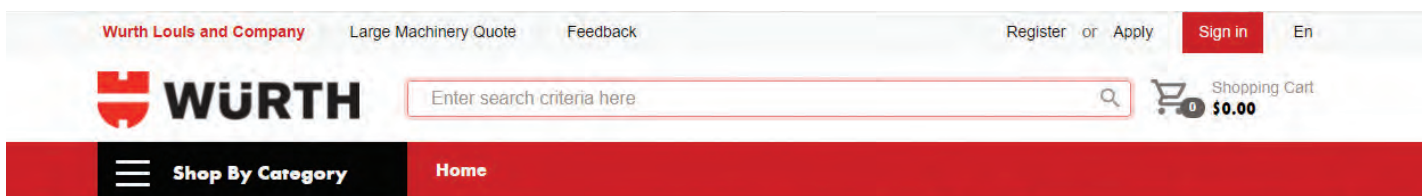
### COMPACT 38C Hinges for Full Overlay



- 107° opening angle
- One piece assembly
- Wraparound mount
- 7/16" cup depth
- ±1/8" height adjustment
- ±1/16" side adjustment
- +3/32", -1/32" cam depth adjustment
- Steel, nickel-plated
- Can be used with BLUMOTION 971A9700

Item #	Opening	Overlay	Fixing	Mount	Box Qty
B38C355.20	107°	1-1/4"	Screw-On	Wraparound	300
B38C358.20	107°	1-1/4"	Dowel	Wraparound	300
B38C358.22	107°	1-3/8"	Dowel	Wraparound	300
B38C358C.24	107°	1-1/2"	Dowel	Wraparound	300
B38C358C.25	107°	1-9/16"	Dowel	Wraparound	300

Visit us on our website: [wurthlac.com](http://wurthlac.com)



### Würth Louis and Company

Introduces:

## RGB TUNABLE FLEXTAPE®

Creating dramatic lighting with 16 million color combinations is now a reality with RGB Standard color-changing FlexTape®.



**NOW HIRING!**

Apply at:  
[wurthlac.com/careers](http://wurthlac.com/careers)

**SUPPLY CHAIN CHALLENGES?**  
We have you COVERED.

[LEARN MORE](#)

A  
B  
C  
D  
E  
F  
G  
H  
I  
J  
K  
L  
M  
N  
O  
P  
Q  
R  
S  
T  
U  
V  
W  
X  
Y

**A BLUM COMPACT SELF-CLOSE FACE FRAME HINGE ACCESSORIES**

B  
C  
D  
E  
F  
G  
H  
I  
J  
K  
L  
M  
N  
O  
P  
Q  
R  
S  
T  
U  
V  
W  
X  
Y



**Blum 971A for Blum COMPACT Hinges**



- Can be used for all Blum COMPACT Hinges

Item #	Application	Box Qty
B971A9700.A1 Polybag Set*	Full or partial overlay	125

\* Set Includes: BLUMOTION mechanism, spacer, #8 x 1-1/4" type 17 wood screw, and #8 x 2" type 17 wood screw



**COMPACT 38N Cover Cap**



- Use with COMPACT 38N hinges
- Clip on attachment/removal
- Available blank or with printed custom logo (Special order - minimums apply)
- Steel, nickel-plated

Item #	Description	Box Qty
B38N3508B	Blank Cover Cap	1,000



**COMPACT 39C/38C Cover Cap**



- Use with COMPACT 39C/38C hinges only
- Clip on attachment/removal
- Available blank/embossed blum logo or with printed custom logo (Special order - minimums apply)
- Steel, nickel-plated

Item #	Description	Box Qty
B38C3508	Blank Cover Cap	1,000



**Distance Spacer**



- Steel spacer decreases door overlay in 1/32" increments
- Can be stacked to achieve desired overlay reduction
- Steel, zinc-coated

Item #	Box Qty
B36.3515	1,000



**BLUM HINGE MACHINES**

A  
B  
C  
D  
E  
F  
G  
H  
I  
J  
K  
L  
M  
N  
O  
P  
Q  
R  
S  
T  
U  
V  
W  
X  
Y



**MINIPRESS P - Deluxe Boring and Insertion Machine**



- Front adjustable boring distance with digital counter
- Pneumatic hold-down clamps
- Boring depth adjustment
- Ruler stops (qty 4)
- Tool kit included
- Dust collection attachment
- Optional laser center line set
- Accepts new 8 or 9 spindle heads

Item #	Description
BM53.1053US	Single Phase - 220V Power
BM53.1004US	Three Phase - 220V Power



**MINIPRESS M - 110V Manual Boring and Insertion Machine**



- 110V power with molding plug (portable)
- Does not require pressurized air
- Ruler stops (qty 4)
- Tool kit included
- Dust collection attachment
- Accepts new 8 or 9 spindle heads

Item #	Description
BM52.1056US	Single Phase - 110V Power



**MINIDRILL P - Standard Boring Machine**



- Front adjustable boring distance
- Ruler stops (qty 4)
- Tool kit included
- Dust collection attachment
- Optional laser center line, digital counter and hold down clamps sets
- Accepts new 8 or 9 spindle heads

Item #	Description
BM53.1053.50	Single Phase - 220V Power

**A** **BLUM HINGE MACHINES**

**B**  
**C**  
**D**  
**E**  
**F**  
**G**  
**H**  
**I**  
**J**  
**K**  
**L**  
**M**  
**N**  
**O**  
**P**  
**Q**  
**R**  
**S**  
**T**  
**U**  
**V**  
**W**  
**X**  
**Y**



**9-Spindle Head**



- 9 spindle head for use with MINIPRESS/MINIDRILL
- Bores nine holes spaced 32 mm apart, parallel to the fence
- Quick-disconnect chucks
- Once aligned, does not require additional adjustment
- Bores cabinet side panel for 32 mm system boring for Blum mounting plates and runners
- Requires retrofit set for use with machines produced in 2009 or prior
- **Includes:** 3mm allen wrench, distance spacer, drive pin, and air hose

NOTE: Requires 5 each of left hand and 4 each right hand drill bits. Recommended drill bit size for quick disconnect chucks: overall length is 57mm and shank is 10mm in diameter and 27mm in length.

Item #	Description
BMZK.190S	9-Spindle Head



**8-Spindle Head**



- 8 spindle head for use with MINIPRESS/MINIDRILL
- Bores eight holes spaced 32 mm apart, perpendicular to the fence
- Quick-disconnect chucks
- Once aligned, does not require additional adjustment
- Bores all Box Systems front fixing brackets/galleries
- Bores cabinet side panels for all Blum runner systems
- Requires retrofit set for use with machines produced in 2009 or prior
- **Includes:** 3mm allen wrench, distance spacer, drive pin, and air hose

NOTE: Requires 4 each of left hand and 4 each right hand drill bits. Recommended drill bit size for quick disconnect chucks: overall length is 57mm and shank is 10mm in diameter and 27mm in length.

Item #	Description
BMZK.880S	8-Spindle Head



**Spindle Head Retrofit Set**



- Required for 9 and 8 spindle heads to MINIPRESS/MINIDRILL produced in 2009 and prior
- Previous boring heads MZK.1000.US and MZK.8000.US cannot be used with the retrofit set
- **Set Includes:**
  - Adapter ring and shield
  - 5mm allen wrench
  - Mounting bolts (qty 4)
  - Alignment pins (qty 2)
  - Alignment template
  - 13mm fixed depth stop (qty 2)

Item #	Description
BM30.1313.UM	Spindle Head Retrofit Set

**BLUM HINGE MACHINE ACCESSORIES**



	Item #	Description
1	B06635734	Center Ruler, 2' (600mm)
2	BMZL.1250.US	Extension Ruler, 4' (1250mm)
3	BMZS.2000L	Small Ruler Stop, left
4	BMZS.2000R	Small Ruler Stop, right
5	B06960651	Breakaway Clutch - For MINIPRESS and MINIDRILL



**#10 Euro Hinge Insertion Ram**

- Can be used for inserting CLIP top BLUMOTION, CLIP top and CLIP dowed hinges
- Not for use with wide angled or specialty hinges

NOTE: Can be used with CLIP top BLUMOTION 95°, CLIP top 95°, and CLIP 100° by adjusting the ball plungers.

<b>Item #</b>
BMZM.0010.01



**#18 Euro Hinge Insertion Ram**

- Can be used for inserting Blum wide angle dowed hinges

<b>Item #</b>
BMZM.0018.01



**#40 Euro Hinge Insertion Ram**

- Can be used for inserting most Blum dowed hinges

NOTE: Not for use with 170°, 155°, and 125° wide angle hinges.

<b>Item #</b>
BMZM.0040

A  
B  
C  
D  
E  
F  
G  
H  
I  
J  
K  
L  
M  
N  
O  
P  
Q  
R  
S  
T  
U  
V  
W  
X  
Y

**A BLUM HINGE MACHINE ACCESSORIES**

B  
C  
D  
E  
F  
G  
H  
I  
J  
K  
L  
M  
N  
O  
P  
Q  
R  
S  
T  
U  
V  
W  
X  
Y

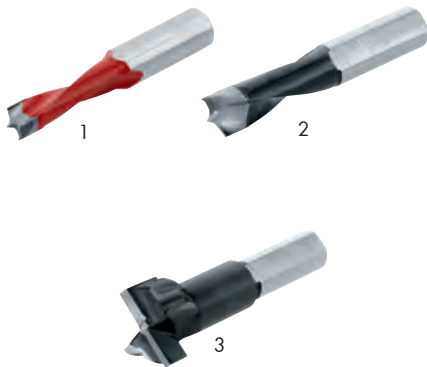


**#47 COMPACT Hinge Insertion Ram**

- Can be used for inserting all Blum COMPACT dowelled hinges



<b>Item #</b>
BMZM.0047



**Machine Drill Bits**



	<b>Item #</b>	<b>Description</b>
1	BM01ZB08.03L	8mm Drill Bit (Left Handed)
2	BM01ZB10.02	10mm Drill Bit (Right Handed)
	BM01ZB10.03	10mm Drill Bit (Left Handed)
3	BM01.ZB35.02R	35mm Drill Bit (Right Handed)



**Twist Drill Bits - High Speed Steel**



	<b>Item #</b>	<b>Description</b>
1	BPVPB-5	VPB-5 Centering Bit
2	BDB-1/8LH	2mm Left Twist Bit
	BDB-2.5MM	2.5mm Right Twist Bit
	BDB-5MM	5mm Right Twist Bit
	BDB-6MM	6mm Right Twist Bit
	BDB-10MM	10mm Right Twist Bit
3	BDB-10X2MM	10mm Chuck for BDB-1/8LH

**BLUM HINGE ASSEMBLY AIDS**



**Knock-in Tool**

- Can be used to insert all Blum dowelled hinges



<b>Item #</b>
BZME.0710



**ECODRILL**

- Simple device for boring Blum hinge pattern
- Driven by electric or cordless drill (18v or higher)
- Boring distance adjusts from 2mm to 8mm
- Clamps to various door thicknesses up to 40mm
- Includes drill bits (pre-installed) and two Torx bits



Item #	Description
BM31.1000	ECODRILL
BM31.ZB35.02	Replacement 35mm bit
BM31.ZB08.02	Replacement 8mm bit
BMZW.1300	Tool Set



**ECOJIG**

- Used to bore 5mm holes for mounting plates that are mounted with system screws, EXPANDO dowels or INSERTA
- Also can be used to pre-bore 5mm holes for EXPANDO BLUMOTION adapters
- 5mm stop collar included



<b>Item #</b>
B65.5070



**Universal Individual Template**

- For pre-boring mounting plates
- Also used for marking and pre-boring cabinet profiles, BLUMOTION, TIP-ON adapter plates and AVENTOS locating pins
- Calibrated scale for accurate setting



<b>Item #</b>
B65.1051.02

**A** **BLUM HINGE ASSEMBLY AIDS**

**B**  
**C**  
**D**  
**E**  
**F**  
**G**  
**H**  
**I**  
**J**  
**K**  
**L**  
**M**  
**N**  
**O**  
**P**  
**Q**  
**R**  
**S**  
**T**  
**U**  
**V**  
**W**  
**X**  
**Y**

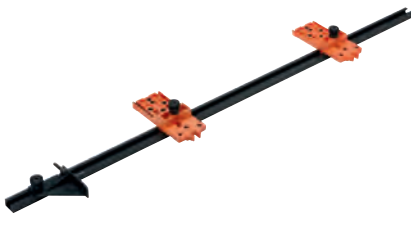


**Mounting Plate Template**

- For pre-boring TIP-ON for doors wing and in-line adapters
- Can also be used to bore for wing (37mm) and in-line (20mm) mounting plates
- Additional hole location added (37mm) for in-line adapter for standard doors
- Simple location of adapter and mounting plate screw positions
- Pilot bore 2.5mm holes for wood screws



<b>Item #</b>
B65.5300



**QUICKFIX**

- Drilling sleeve dimensions changed from 2.5mm to 5mm for drilling for in-line mounting plates
- Locates/matches positions of hinges and plates on cabinets and doors
- Transfers positions from door-to-cabinet and cabinet-to-door
- Adjustable stop for various door overlays
- For use with wing or in-line mounting plates



Item #	Description
B65.7500	QUICKFIX
B65.7510.03	Additional CLIP Template
B65.7590	7' (2200mm) Rail
BDB-5MM	5mm Drill Bit

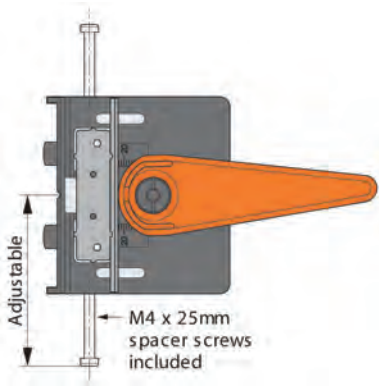


**PLATEMATE**

- Boring template for all Blum face frame adapter plates
- Clamps to the frame with cam lever
- Adjustment knob accomodates frame thicknesses of 5/8" to 1"
- Spacer screws permit quick use without measuring
- Includes 2.5mm pilot bit and drill bit extension



<b>Item #</b>
B65.5030.01



**BLUM HINGE ASSEMBLY AIDS**

A  
B  
C  
D  
E  
F  
G  
H  
I  
J  
K  
L  
M  
N  
O  
P  
Q  
R  
S  
T  
U  
V  
W  
X  
Y



**INSERTA Boring Template**

- For boring 8mm dowel holes after 35mm hole is bored
- Boring distance adjusts from 2mm to 8mm
- Also bores 5mm holes for system screw mounting plates
- Includes stop collar to pilot bore 2.5mm for screw-on plates



<b>Item #</b>
B65.059A

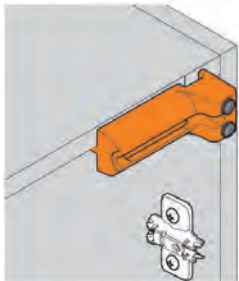


**BLUMOTION and TIP-ON for Doors Boring Template**

- For pre-boring BLUMOTION and TIP-ON units
- 10mm drill bushing for edge boring
- Bores left and right side of cabinet
- Includes 10mm stop collar



<b>Item #</b>
B65.5010



**Deep Thread Wood Screws**

- For attaching hinges and mounting plates



Item #	Description	Box Qty
B606P-1000	#6 x 5/8", #2 POZI	1,000



**Deep Thread System/Euro Screws**

- Pilot bore 3/16" (5mm) hole



Item #	Description	Box Qty
B661.1000.HG	#7 x 10mm, #2 POZI	1,000
B661.1150.HG	#7 x 11.5mm, #2 POZI	1,000
B661.1300.HG	#7 x 13mm, #2 POZI	1,000
BSS-14.5MM	#7 x 14.5mm, #2 POZI	1,000

**A BLUM HINGE ASSEMBLY AIDS**

B  
C  
D  
E  
F  
G  
H  
I  
J  
K  
L  
M  
N  
O  
P  
Q  
R  
S  
T  
U  
V  
W  
X  
Y



**Pan Head System/Euro Screw**

- Pilot bore 3/16" (5mm) hole



Item #	Description	Box Qty
B668.145	#7 x 14.5mm, #2 POZI	1,000



**Truss Head Screw**

- For attaching COMPACT hinges to the face frame
- Type 17



Item #	Description	Box Qty
B834TH	#8 x 3/4", #2 Phillips	100

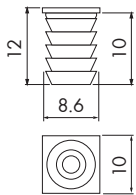


**Twin Application Screws**

- Pre-bored 3/16" (5mm) hole



	Item #	Description	Box Qty
1	B612.2010	9/16" (14mm) Screw	250
2	B612.2020	5/8" (16mm) Sleeve for Panel Thickness 16-20mm	250
	B612.2420	25/32" (20mm) Sleeve for Panel Thickness 20-24mm	250

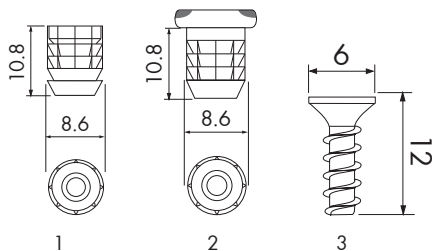


**8mm Square Head Dowel**

- For attaching to hinges



Item #	Description	Box Qty
B34.3582.01	8.6mm x 12mm Square Dowel	1,000



**8mm Round Dowel**

- For insertion into doors



	Item #	Description	Box Qty
1	B70.0532	8.6mm x 10.8mm Round Dowel	1,000
2	B70T5582.01	8.6mm x 10.8mm Square Dowel	1,000
3	B608.1200	6mm x 12mm Installation Screw	1,000



**POZI DRIVER and Bits**



	Item #	Description	Box Qty
1	BPD	#2 POZI DRIVER	20
2	BMAGHLDR	1/4" Magnetic Bit Holder	1
3	B2X1POZIBIT	#2 x 1" POZI Bit Insert	1



**GRASS TIOMOS SOFT-CLOSE EURO HINGES**



**110° Tiomos Soft-Closing Hinges**



- Adjustable soft-close mechanism integrated and concealed in hinge arm
- Uniform closing action regardless of door size, weight, or materials
- Soft-close mechanism can be adjusted easily without tools, even after doors are installed
- Each soft-close hinge has 3 settings for closing performance

Item #	Quick Code	Boring Pattern	Fixing	Close Type	Box Qty
<b>Full Overlay Hinges (Cranking 00) - Up to 7/8" (22mm) Overlay</b>					
GTIOF028138341228	GT258	42mm	Dowelled	Soft-close	150
GTIOF028138519228	GT100	45mm	Screw-On	Soft-close	150
GTIOF028138523228	GT101	45mm	Dowelled	Soft-close	150
GTIOF017139414228	GT233	42/45mm	Impresso (Tool Free)	Soft-close	150
<b>Overlay Hinges (Cranking 03) - Up to 3/4" (19mm) Overlay</b>					
GTIOF028138342228	GT259	42mm	Dowelled	Soft-close	150
GTIOF028138520228	GT104	45mm	Screw-On	Soft-close	150
GTIOF028138524228	GT105	45mm	Dowelled	Soft-close	150
GTIOF017139415228	GT234	42/45mm	Impresso (Tool Free)	Soft-close	150
<b>Half Overlay Hinges (Cranking 9.5)</b>					
GTIOF028138343228	GT260	42mm	Dowelled	Soft-close	150
GTIOF028138521228	GT108	45mm	Screw-On	Soft-close	150
GTIOF028138525228	GT109	45mm	Dowelled	Soft-close	150
GTIOF017139416228	GT235	42/45mm	Impresso (Tool Free)	Soft-close	150
<b>Inset Hinges (Cranking 19)</b>					
GTIOF028138344228	GT261	42mm	Dowelled	Soft-close	50
GTIOF028138522228	GT112	45mm	Screw-On	Soft-close	150
GTIOF028138526228	GT113	45mm	Dowelled	Soft-close	150
GTIOF017139417228	GT236	42/45mm	Impresso (Tool Free)	Soft-close	150



<b>Angle Restriction Clip</b>			
Item #	Quick Code	Description	Box Qty
GTIOF072135751517	GT224	Reduces opening angle to 85°	50



<b>Accessory Items</b>	
Item #	Description
AN203351	35mm Hinge Boring Bit
AN301008	8mm LH Bit, 57mm L

A  
B  
C  
D  
E  
F  
G  
H  
I  
J  
K  
L  
M  
N  
O  
P  
Q  
R  
S  
T  
U  
V  
W  
X  
Y

**A GRASS TIOMOS SOFT-CLOSE EURO HINGES**

B  
C  
D  
E  
F  
G  
H  
I  
J  
K  
L  
M  
N  
O  
P  
Q  
R  
S  
T  
U  
V  
W  
X  
Y



**120° Tiomos Soft-Closing Hinges**



- Adjustable soft-close mechanism integrated and concealed in hinge arm
- Uniform closing action regardless of door size, weight, or materials
- Soft-close mechanism can be adjusted easily without tools, even after doors are installed
- Each soft-close hinge has 3 settings for closing performance

Item #	Quick Code	Boring Pattern	Fixing	Close Type	Box Qty
<b>Full Overlay Hinges (Cranking 00) - Up to 7/8" (22mm) Overlay</b>					
GTIOF028138369228	GT262	42mm	Dowelled	Soft-close	150
GTIOF028138547228	GT116	45mm	Screw-On	Soft-close	150
GTIOF028138551228	GT117	45mm	Dowelled	Soft-close	150
GTIOF017139428228	GT245	42/45mm	Impresso (Tool Free)	Soft-close	150
<b>Overlay Hinges (Cranking 03) - Up to 3/4" (19mm) Overlay</b>					
GTIOF028138370228	GT263	42mm	Dowelled	Soft-close	150
GTIOF028138548228	GT120	45mm	Screw-On	Soft-close	150
GTIOF028138552228	GT121	45mm	Dowelled	Soft-close	150
GTIOF017139429228	GT246	42/45mm	Impresso (Tool Free)	Soft-close	150
<b>Half Overlay Hinges (Cranking 9.5)</b>					
GTIOF028138371228	GT264	42mm	Dowelled	Soft-close	150
GTIOF028138549228	GT124	45mm	Screw-On	Soft-close	150
GTIOF028138553228	GT125	45mm	Dowelled	Soft-close	150
GTIOF017139430228	GT247	42/45mm	Impresso (Tool Free)	Soft-close	150



<b>Angle Restriction Clip</b>			
Item #	Quick Code	Description	Box Qty
GTIOF072135751517	GT224	Reduces opening angle to 85°	50



<b>Accessory Items</b>	
Item #	Description
AN203351	35mm Hinge Boring Bit
AN301008	8mm LH Bit, 57mm L

**GRASS TIOMOS SOFT-CLOSE EURO HINGES**

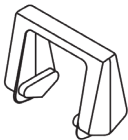


**155° Tiomos Soft-Closing Hinges**



- Adjustable soft-close mechanism integrated and concealed in hinge arm
- Uniform closing action regardless of door size, weight, or materials
- Soft-close mechanism can be adjusted easily without tools, even after doors are installed
- Each soft-close hinge has 3 settings for closing performance

Item #	Quick Code	Boring Pattern	Fixing	Close Type	Box Qty
<b>Full Overlay Hinges (Cranking 00) - Up to 7/8" (22mm) Overlay</b>					
GTIOF028138382217	GT265	42mm	Dowelled	Soft-close	50
GTIOF028138561217	GT128	45mm	Screw-On	Soft-close	50
GTIOF028138564217	GT129	45mm	Dowelled	Soft-close	50
GTIOF017139435217	GT251	42/45mm	Impresso (Tool Free)	Soft-close	50
<b>Overlay Hinges (Cranking 03) - Up to 3/4" (19mm) Overlay</b>					
GTIOF028138383217	GT266	42mm	Dowelled	Soft-close	50
GTIOF028138562217	GT132	45mm	Screw-On	Soft-close	50
GTIOF028138565217	GT133	45mm	Dowelled	Soft-close	50
GTIOF017139436217	GT252	42/45mm	Impresso (Tool Free)	Soft-close	50
<b>Half Overlay Hinges (Cranking 9.5)</b>					
GTIOF028138563217	GT136	45mm	Screw-On	Soft-close	50
GTIOF028138566217	GT137	45mm	Dowelled	Soft-close	50



Angle Restriction Clip		
Item #	Description	Box Qty
GTIOF072135753517	Reduces opening angle to 120°	50



Accessory Items	
Item #	Description
AN203351	35mm Hinge Boring Bit
AN301008	8mm LH Bit, 57mm L

A  
B  
C  
D  
E  
F  
G  
H  
I  
J  
K  
L  
M  
N  
O  
P  
Q  
R  
S  
T  
U  
V  
W  
X  
Y

**A GRASS TIOMOS SOFT-CLOSE EURO HINGES**

**B  
C  
D  
E  
F  
G  
H  
I  
J  
K  
L  
M  
N  
O  
P  
Q  
R  
S  
T  
U  
V  
W  
X  
Y**



**Tiomos 95° Hinges for Thick Doors**



- 3-dimensional adjustment with suitable baseplate
- Accommodates overlays up to 24mm (15/16")
- For door thicknesses up to 36 mm (1-7/16")
- For face frame or frameless cabinets
- Convenient depth adjustment with worm gear

Item #	Quick Code	Boring Pattern	Fixing Type	Closing Type	Box Qty
<b>Full Overlay Hinges (Cranking 00) - Up to 7/8" (22mm) Overlay</b>					
GTIOF028138389228	GT268	42mm	Dowelled	Soft-close	150
GTIOF028138567228	GT272	45mm	Screw-On	Soft-close	150
GTIOF028138571228	GT276	45mm	Dowelled	Soft-close	150
GTIOF017139438228	GT254	42/45mm	Impresso (Tool Free)	Soft-close	50
<b>Overlay Hinges (Cranking 03) - Up to 3/4" (19mm) Overlay</b>					
GTIOF028138568228	GT273	45mm	Screw-On	Soft-close	150
GTIOF028138572228	GT277	45mm	Dowelled	Soft-close	150
GTIOF017139439228	GT255	42/45mm	Impresso (Tool Free)	Soft-close	50
<b>Half Overlay Hinges (Cranking 9.5)</b>					
GTIOF028138391228	GT270	42mm	Dowelled	Soft-close	150
GTIOF028138569228	GT274	45mm	Screw-On	Soft-close	150
GTIOF028138573228	GT278	45mm	Dowelled	Soft-close	150
GTIOF017139440228	GT256	42/45mm	Impresso (Tool Free)	Soft-close	150
<b>Inset Hinges (Cranking 19)</b>					
GTIOF028138570228	GT275	45mm	Screw-On	Soft-close	150
GTIOF028138574228	GT279	45mm	Dowelled	Soft-close	150
GTIOF017139441228	GT257	42/45mm	Impresso (Tool Free)	Soft-close	50



<b>Cover Caps</b>			
Item #	Quick Code	Finish	Box Qty
GTIOF072135500247	GT221	Steel, Nickel-Plated	1,000

<b>Hinge Cup Cover Cap</b>			
Item #	Quick Code	Finish	Box Qty
GTIOF072135503228	GT223	Steel, Nickel-Plated	150

<b>#6 x 5/8" FHP Screw</b>		
Item #	Finish	Box Qty
G81001-43	Steel, Nickel-Plated	500

## GRASS TIOMOS EURO HINGES



### 110° Tiomos Self-Closing & Free Swinging Hinges



- 3-dimensional adjustment with suitable baseplate
- For face frame or frameless cabinets
- Convenient depth adjustment with worm gear

Item #	Quick Code	Boring Pattern	Fixing	Close Type	Box Qty
<b>Full Overlay Hinges (Cranking 00) - Up to 7/8" (22mm) Overlay</b>					
GTIOF045138279228	GT305	42mm	Dowelled	Self-close	150
GTIOF045138457228	GT102	45mm	Screw-on	Self-close	150
GTIOF045138461228	GT103	45mm	Dowelled	Self-close	150
GTIOF034139385228	GT280	42/45mm	Impresso (Tool Free)	Self-close	150
<b>Overlay Hinges (Cranking 03) - Up to 3/4" (19mm) Overlay</b>					
GTIOF045138280228	GT306	42mm	Dowelled	Self-close	150
GTIOF045138458228	GT106	45mm	Screw-On	Self-close	150
GTIOF045138462228	GT107	45mm	Dowelled	Self-close	150
GTIOF034139386228	GT281	42/45mm	Impresso (Tool Free)	Self-close	150
GTIOF035139443228	GT332	42/45mm	Impresso (Tool Free)	Free Swing	150
<b>Half Overlay Hinges (Cranking 9.5)</b>					
GTIOF045138281228	GT307	42mm	Dowelled	Self-close	150
GTIOF045138459228	GT110	45mm	Screw-On	Self-close	150
GTIOF045138463228	GT111	45mm	Dowelled	Self-close	150
GTIOF034139387228	GT282	42/45mm	Impresso (Tool Free)	Self-close	150
GTIOF035139444228	GT333	42/45mm	Impresso (Tool Free)	Free Swing	150
<b>Inset Hinges (Cranking 19)</b>					
GTIOF045138282228	GT308	42mm	Dowelled	Self-close	150
GTIOF045138460228	GT114	45mm	Screw-On	Self-close	150
GTIOF045138464228	GT115	45mm	Dowelled	Self-close	150
GTIOF034139388228	GT283	42/45mm	Impresso (Tool Free)	Self-close	50



<b>Angle Restriction Clip</b>			
Item #	Quick Code	Description	Box Qty
GTIOF072135751517	GT224	Reduces opening angle to 85°	50

<b>Accessory Items</b>	
Item #	Description
AN203351	35mm Hinge Boring Bit
AN301008	8mm LH Bit, 57mm L

A  
B  
C  
D  
E  
F  
G  
H  
I  
J  
K  
L  
M  
N  
O  
P  
Q  
R  
S  
T  
U  
V  
W  
X  
Y

**A GRASS TIOMOS EURO HINGES**



**120° Tiomos Self-Closing Hinges**

- 3-dimensional adjustment with suitable baseplate
- For face frame or frameless cabinets
- Convenient depth adjustment with worm gear



Item #	Quick Code	Boring Pattern	Fixing	Close Type	Box Qty
<b>Full Overlay Hinges (Cranking 00) - Up to 7/8" (22mm) Overlay</b>					
GTIOF045138307228	GT309	42mm	Dowelled	Self-close	150
GTIOF045138485228	GT118	45mm	Screw-On	Self-close	150
GTIOF045138489228	GT119	45mm	Dowelled	Self-close	150
GTIOF034139399228	GT292	42/45mm	Impresso (Tool Free)	Self-close	150
<b>Overlay Hinges (Cranking 03) - Up to 3/4" (19mm) Overlay</b>					
GTIOF045138308228	GT310	42mm	Dowelled	Self-close	150
GTIOF045138486228	GT122	45mm	Screw-On	Self-close	150
GTIOF045138490228	GT123	45mm	Dowelled	Self-close	150
GTIOF034139400228	GT293	42/45mm	Impresso (Tool Free)	Self-close	150
<b>Half Overlay Hinges (Cranking 9.5)</b>					
GTIOF045138309228	GT311	42mm	Dowelled	Self-close	150
GTIOF045138487228	GT126	45mm	Screw-On	Self-close	150
GTIOF045138491228	GT127	45mm	Dowelled	Self-close	150

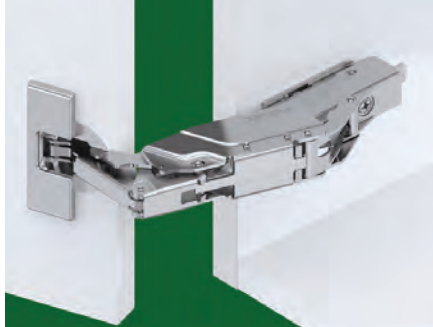


Angle Restriction Clip			
Item #	Quick Code	Description	Box Qty
GTIOF072135751517	GT224	Reduces opening angle to 85°	50



Accessory Items	
Item #	Description
AN203351	35mm Hinge Boring Bit
AN301008	8mm LH Bit, 57mm L

## GRASS TIOMOS EURO HINGES

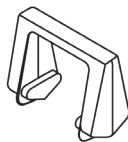


### 155° Tiomos Self-Closing Hinges

- 3-dimensional adjustment with suitable baseplate
- For face frame or frameless cabinets
- Convenient depth adjustment with worm gear



Item #	Quick Code	Boring Pattern	Fixing	Close Type	Box Qty
<b>Full Overlay Hinges (Cranking 00) - Up to 7/8" (22mm) Overlay</b>					
GTIOF045138320217	GT312	42mm	Dowelled	Self-close	50
GTIOF045138499217	GT130	45mm	Screw-On	Self-close	50
GTIOF045138502217	GT131	45mm	Dowelled	Self-close	50
GTIOF034139406217	GT298	42/45mm	Impresso (Tool Free)	Self-close	50
<b>Overlay Hinges (Cranking 03) - Up to 3/4" (19mm) Overlay</b>					
GTIOF045138321217	GT313	42mm	Dowelled	Self-close	50
GTIOF045138500217	GT134	45mm	Screw-On	Self-close	50
GTIOF045138503217	GT135	45mm	Dowelled	Self-close	50
GTIOF034139407217	GT299	42/45mm	Impresso (Tool Free)	Self-close	50
<b>Half Overlay Hinges (Cranking 9.5)</b>					
GTIOF045138322217	GT314	42mm	Dowelled	Self-close	50
GTIOF045138501217	GT138	45mm	Screw-On	Self-close	50
GTIOF045138504217	GT139	45mm	Dowelled	Self-close	50



#### Angle Restriction Clip

Item #	Quick Code	Description	Box Qty
GTIOF072135753117	GT225	Reduces opening angle to 120°	50



#### Accessory Items

Item #	Description
AN203351	35mm Hinge Boring Bit
AN301008	8mm LH Bit, 57mm L

**A GRASS TIOMOS EURO HINGES**

B  
C  
D  
E  
F  
G  
H  
I  
J  
K  
L  
M  
N  
O  
P  
Q  
R  
S  
T  
U  
V  
W  
X  
Y



**Tiomos 95° Hinges for Thick Doors**



- 3-dimensional adjustment with suitable baseplate
- Accommodates overlays up to 24mm (15/16")
- For door thicknesses up to 36mm (1-7/16")
- For face frame or frameless cabinets
- Convenient depth adjustment with worm gear

Item #	Quick Code	Boring Pattern	Fixing	Close Type	Box Qty
<b>Full Overlay Hinges (Cranking 00) - Up to 7/8" (22mm) Overlay</b>					
GTIOF045138509228	GT324	45mm	Dowelled	Self-close	150
GTIOF034139409228	GT301	42/45mm	Impresso (Tool Free)	Self-close	150
<b>Overlay Hinges (Cranking 03) - Up to 3/4" (19mm) Overlay</b>					
GTIOF045138328228	GT316	42mm	Dowelled	Self-close	150
GTIOF045138506228	GT321	45mm	Screw-On	Self-close	150
<b>Half Overlay Hinges (Cranking 9.5)</b>					
GTIOF045138329228	GT317	42mm	Dowelled	Self-close	150
GTIOF045138507228	GT322	45mm	Screw-On	Self-close	150
GTIOF045138511228	GT326	45mm	Dowelled	Self-close	150
<b>Inset Hinges (Cranking 19)</b>					
GTIOF045138508228	GT323	45mm	Screw-On	Self-close	150
GTIOF034139412228	GT304	42/45mm	Impresso (Tool Free)	Self-close	150



<b>Cover Caps</b>			
Item #	Quick Code	Finish	Box Qty
GTIOF072135500247	GT221	Steel, Nickel-Plated	1000



<b>Hinge Cup Cover Cap</b>			
Item #	Quick Code	Finish	Box Qty
GTIOF072135503228	GT223	Steel, Nickel-Plated	150



<b>#6 x 5/8" FHP Screw</b>		
Item #	Finish	Box Qty
G81001-43	Steel, Nickel-Plated	500



**GRASS TIOMOS SPECIALTY HINGES**



**Tiomos 110/90A - 110° Blind Corner Hinges for Overlay Doors**



- For blind corner construction
- 110° opening angle
- 3-dimensional adjustment with suitable baseplate
- Soft-close or Self-close hinges available
- Convenient depth adjustment with worm gear

Item #	Quick Code	Boring Pattern	Fixing	Close Type	Box Qty
GTIOF045138483223	GT143	45mm	Dowelled	Self-close	100
GTIOF028138535223	GT140	45mm	Screw-On	Soft-close	100
GTIOF028138545223	GT141	45mm	Dowelled	Soft-close	100
GTIOF034139397223	GT290	42/45mm	Impresso (Tool Free)	Self-close	100



**Tiomos 110/90E - 110° Blind Corner Hinges for Inset Doors**



- For blind corner construction
- 110° opening angle
- 3-dimensional adjustment with suitable baseplate
- Soft-close or Self-close hinges available
- Convenient depth adjustment with worm gear

Item #	Quick Code	Boring Pattern	Fixing	Close Type	Box Qty
GTIOF045138474223	GT146	45mm	Screw-On	Self-close	25
GTIOF045138484223	GT147	45mm	Dowelled	Self-close	100
GTIOF028138536223	GT144	45mm	Screw-On	Soft-close	100
GTIOF028138546223	GT145	45mm	Dowelled	Soft-close	100
GTIOF034139398223	GT291	42/45mm	Impresso (Tool-Less)	Self-close	25
GTIOF017139427223	GT244	42/45mm	Impresso (Tool-Less)	Soft-close	100



Cover Caps			
Item #	Quick Code	Finish	Box Qty
GTIOF072135500247	GT221	Steel, Nickel-Plated	1000

Hinge Cup Cover Cap			
Item #	Quick Code	Finish	Box Qty
GTIOF072135503228	GT223	Steel, Nickel-Plated	150

#6 x 5/8" FHP Screw		
Item #	Finish	Box Qty
G81001-43	Steel, Nickel-Plated	500

A  
B  
C  
D  
E  
F  
G  
H  
I  
J  
K  
L  
M  
N  
O  
P  
Q  
R  
S  
T  
U  
V  
W  
X  
Y

**A GRASS TIOMOS SPECIALTY HINGES**

B  
C  
D  
E  
F  
G  
H  
I  
J  
K  
L  
M  
N  
O  
P  
Q  
R  
S  
T  
U  
V  
W  
X  
Y



**Tiomos 110/30A - (+30° Angle Corner Hinges for Overlay Doors)**



- For 30° angle corner cabinets
- 110° opening angle
- 3-dimensional adjustment with suitable baseplate
- Convenient depth adjustment with worm gear

Item #	Quick Code	Boring Pattern	Fixing	Close Type	Box Qty
GTIOF045138467223	GT149	45mm	Screw-On	Self-close	100



**Tiomos 110/30E - (+30° Angle Corner Cabinet Hinges for Inset Doors)**



- For 30° angle corner cabinets
- 110° opening angle
- 3-dimensional adjustment with suitable baseplate
- Convenient depth adjustment with worm gear

Item #	Quick Code	Boring Pattern	Fixing	Close Type	Box Qty
GTIOF028138530223	GT150	45mm	Screw-On	Self-close	100



Cover Caps			
Item #	Quick Code	Finish	Box Qty
GTIOF072135500247	GT221	Steel, Nickel-Plated	1000

Hinge Cup Cover Cap			
Item #	Quick Code	Finish	Box Qty
GTIOF072135503228	GT223	Steel, Nickel-Plated	150

#6 x 5/8" FHP Screw		
Item #	Finish	Box Qty
G81001-43	Steel, Nickel-Plated	500

**GRASS TIOMOS SPECIALTY HINGES**



**Tiomos 110/45A - (+45° Angle Corner Cabinet Hinges for Overlay Doors)**



- For 45° angle corner cabinets
- 110° opening angle
- 3-dimensional adjustment with suitable baseplate
- Convenient depth adjustment with worm gear

Item #	Quick Code	Boring Pattern	Fixing	Close Type	Box Qty
GTIOF028138533223	GT158	45mm	Screw-On	Soft-close	100
GTIOF028138543223	GT159	45mm	Dowelled	Soft-close	100
GTIOF017139424223	GT241	45mm	Impresso (Tool-Less)	Soft-close	100



**Tiomos 110/45E - (+45° Angle Corner Cabinet Hinges for Inset Doors)**



- For 45° angle corner cabinets
- 110° opening angle
- 3-dimensional adjustment with suitable baseplate
- Soft-close or Self-close hinges available
- Convenient depth adjustment with worm gear

Item #	Quick Code	Boring Pattern	Fixing	Close Type	Box Qty
GTIOF045138472223	GT164	45mm	Screw-On	Self-close	25
GTIOF045138482223	GT165	45mm	Dowelled	Self-close	100
GTIOF028138544223	GT163	45mm	Dowelled	Soft-close	100
GTIOF017139425223	GT242	42/45mm	Impresso (Tool-less)	Soft-close	25



Cover Caps			
Item #	Quick Code	Finish	Box Qty
GTIOF072135500247	GT221	Steel, Nickel-Plated	1000

Hinge Cup Cover Cap			
Item #	Quick Code	Finish	Box Qty
GTIOF072135503228	GT223	Steel, Nickel-Plated	150

#6 x 5/8" FHP Screw		
Item #	Finish	Box Qty
G81001-43	Steel, Nickel-Plated	500

A  
B  
C  
D  
E  
F  
G  
H  
I  
J  
K  
L  
M  
N  
O  
P  
Q  
R  
S  
T  
U  
V  
W  
X  
Y

**A GRASS TIOMOS SPECIALTY HINGES**

B  
C  
D  
E  
F  
G  
H  
I  
J  
K  
L  
M  
N  
O  
P  
Q  
R  
S  
T  
U  
V  
W  
X  
Y



**Tiomos 120/-15A (-15° Angle Corner Cabinet Hinges for Overlay Doors)**



- For -15° angle corner cabinets
- 120° opening angle
- 3-dimensional adjustment with suitable baseplate
- Convenient depth adjustment with worm gear

Item #	Quick Code	Boring Pattern	Fixing	Close Type	Box Qty
GTIOF045138493223	GT167	45mm	Screw-On	Self-close	100
GTIOF017139432223	GT248	42/45mm	Impresso (Tool-less)	Soft-close	100



**Tiomos 120/-45A (-45° Angle Corner Cabinet Hinges for Overlay Doors)**



- For -45° angle corner cabinets
- 120° opening angle
- 3-dimensional adjustment with suitable baseplate
- Soft-close or Self-close hinges available
- Convenient depth adjustment with worm gear

Item #	Quick Code	Boring Pattern	Fixing	Close Type	Box Qty
GTIOF045138495223	GT171	45mm	Screw-On	Self-close	25
GTIOF028138557213	GT336	45mm	Screw-On	Soft-close	25
GTIOF034139405223	GT297	42/45mm	Impresso (Tool-less)	Self-close	100



Cover Caps			
Item #	Quick Code	Finish	Box Qty
GTIOF072135500247	GT221	Steel, Nickel-Plated	1,000

Hinge Cup Cover Cap			
Item #	Quick Code	Finish	Box Qty
GTIOF072135503228	GT223	Steel, Nickel-Plated	150

#6 x 5/8" FHP Screw		
Item #	Finish	Box Qty
G81001-43	Steel, Nickel-Plated	500

**GRASS TIOMOS SPECIALTY HINGES**

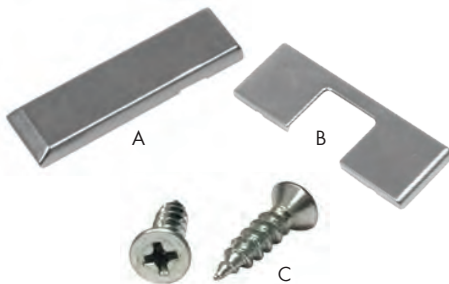


**Tiomos M9 110° Hinge for 12mm-28mm Door Thicknesses**



- Accommodates overlays up to 25mm (1")
- For door thicknesses from 12mm (15/32") to 28mm (1-1/8")
- For face frame or frameless cabinets
- 3-dimensional adjustments with suitable baseplate
- Shallow cup depth of 9mm
- Compatible with Tiomos baseplates

Item #	Quick Code	Boring Pattern	Fixing	Close Type	Box Qty
GTIOF029140338217	GT125	45mm	Screw-On	Soft-close	50



Item #	Quick Code	Finish	Box Qty	
<b>Cover Caps</b>				
A	GTIOF072135500247	GT221	Steel, Nickel-Plated	1,000
<b>Hinge Cup Cover Cap</b>				
B	GTIOF072135503228	GT223	Steel, Nickel-Plated	150
<b>#6 x 5/8" FHP Screw</b>				
C	G81001-43	-	Steel, Nickel-Plated	500

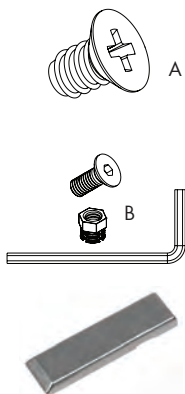


**Tiomos M0 125° Hinge for Thin Doors (6-10mm)**



- No cup hole necessary
- Door thickness of 6mm (1/4") to 10mm (3/8")
- Accommodates door overlays up to 25.4mm (1")
- Works with a variety of door material - wood, aluminum, MDF, mineral composite, HPL (laminate), chipboard, and solid surface
- Special fasteners for hinge attachment to door
- Compatible with Tiomos baseplates

Item #	Boring Pattern	Fixing Type	Closing Type	Box Qty
GTIOF029140331217	45mm	Screw-On	Soft-Close	50



Fastening Options		
Item #	Description	Box Qty
A	<ul style="list-style-type: none"> <li>• Countersunk screw PH2, M5 x 6mm</li> <li>• For a minimum door thickness of 6mm</li> <li>• For aluminum, HPL, and mineral composite</li> </ul>	1
B	<ul style="list-style-type: none"> <li>• Countersunk screw M4 x 8mm, sleeve M4 x 5.5mm, internal hex key</li> <li>• For a min door thickness of 8mm, for chipboard, MDF, mineral composite, and HPL</li> </ul>	1

Cover Caps			
Item #	Quick Code	Finish	Box Qty
GTIOF072135500247	GT221	Steel, Nickel-Plated	1000

A  
B  
C  
D  
E  
F  
G  
H  
I  
J  
K  
L  
M  
N  
O  
P  
Q  
R  
S  
T  
U  
V  
W  
X  
Y

**A GRASS TIOMOS SPECIALTY HINGES**

**B  
C  
D  
E  
F  
G  
H  
I  
J  
K  
L  
M  
N  
O  
P  
Q  
R  
S  
T  
U  
V  
W  
X  
Y**



**Tiomos PCC Pie-Cut Corner Cabinet Hinge**



- 3-dimensional adjustment with suitable baseplate
- Designed for connecting two folding doors in corner cabinet
- For door thicknesses 16 to 24 mm
- Used in conjunction with Tiomos 155° hinges
- 35mm full cup drill hole

Hinges					
Item #	Quick Code	Boring Pattern	Fixing	Close Type	Box Qty
GTIOF045138336228	GT319	42mm	Dowelled	Self-close	150
GTIOF045138517228	GT172	45mm	Screw-On	Self-close	150
GTIOF045138518228	GT173	45mm	Dowelled	Self-close	150



Cover Caps			
Item #	Quick Code	Finish	Box Qty
GTIOF072135500247	GT221	Steel, Nickel-Plated	1,000



Hinge Cup Cover Cap			
Item #	Quick Code	Finish	Box Qty
GTIOF072135503228	GT223	Steel, Nickel-Plated	150



#6 x 5/8" FHP Screw		
Item #	Finish	Box Qty
G81001-43	Steel, Nickel-Plated	500

**GRASS TIOMOS SPECIALTY HINGES**

A  
B  
C  
D  
E  
F  
G  
H  
I  
J  
K  
L  
M  
N  
O  
P  
Q  
R  
S  
T  
U  
V  
W  
X  
Y



**Tiomos H Hinges - 105° Hidden Hinges**



- Hidden hinge is fully recessed in cabinet
- 105° opening angle
- Integrated soft-close damper
- 3-dimensional cam adjustments
- Minimum door thickness: 21/32" (18mm)
- Maximum door thickness: 1-1/4" (32mm)
- Door recess depth: 19/32" (15mm)
- Cabinet recess depth: 1-21/32" (42mm)
- Load-bearing capacity of 26.5lb (12kg)
- Available in Nickel-plated and Night finishes
- 10 polybag sets per box

Item #	Description
GTIOF051139126507	Diecast Nickel-Plated Screw-on "H" Hinge*
GTIOF051139125507	Diecast Night Screw-on "H" Hinge*
* Includes 2 hinges, 2 cover caps, and mounting hardware	

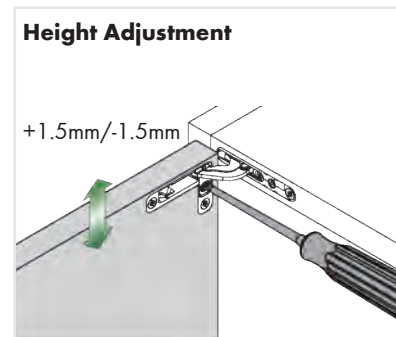
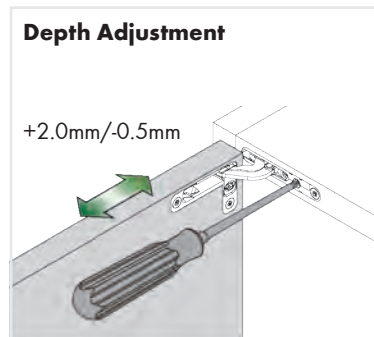
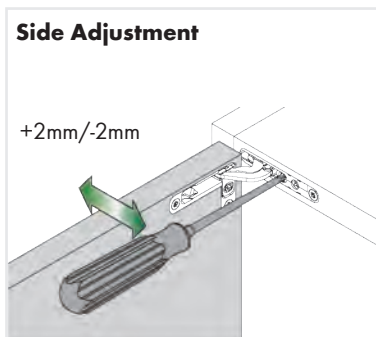


Nickel



Night

**Adjustment Options:**



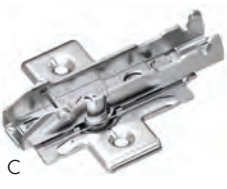
**A GRASS TIOMOS WING BASEPLATES**

**B**  
**C**  
**D**  
**E**  
**F**  
**G**  
**H**  
**I**  
**J**  
**K**  
**L**  
**M**  
**N**  
**O**  
**P**  
**Q**  
**R**  
**S**  
**T**  
**U**  
**V**  
**W**  
**X**  
**Y**



**Tiomos Wing Baseplates**

- Steel, Nickel Plated
- Depth adjustment via worm gear
- Height adjustment via worm gear or elongated hole
- Side adjustment via hinge



Item #	Quick Code	Height	Fixing Type	# of Fixing Points	Box Qty	
<b>Standard One-Piece Mounting Plates - Height Adjustment via Elongated Screw Holes</b>						
A	GTIOF058139721228	GT194	0mm	Wood Screws	3	150
	GTIOF058139722228	GT195	2mm	Wood Screws	3	150
	GTIOF058139723228	GT196	3mm	Wood Screws	3	150
B	GTIOF058139736228	GT198	0mm	Pre-mounted Euro Screws (13.5mm)	3	150
	GTIOF058139737228	GT199	2mm	Pre-mounted Euro Screws (13.5mm)	3	150
	GTIOF058139738228	GT200	3mm	Pre-mounted Euro Screws (13.5mm)	3	150
<b>Cam Adjustable Wing Mounting Plates - Height Adjustment via Worm Gear</b>						
C	GTIOF058139746228	GT174	0mm	Wood Screws	4	150
	GTIOF058139747228	GT175	2mm	Wood Screws	4	150
	GTIOF058139748228	GT176	3mm	Wood Screws	4	150
	GTIOF058139749228	GT177	3.5mm	Wood Screws	4	150
D	GTIOF058139756228	GT178	0mm	Euro Screws	4	150
	GTIOF058139757228	GT179	2mm	Euro Screws	4	150
	GTIOF058139758228	GT180	3mm	Euro Screws	4	150
	GTIOF058139759228	GT181	3.5mm	Euro Screws	4	150
E	GTIOF058139761228	GT182	0mm	Pre-mounted Euro Screws (13.5mm)	4	150
	GTIOF058139762228	GT183	2mm	Pre-mounted Euro Screws (13.5mm)	4	150
	GTIOF058139763228	GT184	3mm	Pre-mounted Euro Screws (13.5mm)	4	150
	GTIOF058139764228	GT185	3.5mm	Pre-mounted Euro Screws (13.5mm)	4	150
	GTIOF058139863228	GT186	0mm	Pre-mounted Euro Screws (10mm)	4	150
	GTIOF058139864228	GT187	2mm	Pre-mounted Euro Screws (10mm)	4	150
	GTIOF058139865228	GT188	3mm	Pre-mounted Euro Screws (10mm)	4	150
	GTIOF058139866228	GT189	3.5mm	Pre-mounted Euro Screws (10mm)	4	150
F	GTIOF058139766228	GT337	0mm	Expanding Dowels (5mm)	4	150
	GTIOF058139767228	GT338	2mm	Expanding Dowels (5mm)	4	150
	GTIOF058139768228	GT339	3mm	Expanding Dowels (5mm)	4	150



Accessory Items	
Item #	Description
AN608520	Vix Bit, 1/4" Hex Shank, #6 Screw
AN630520	Replacement Bit for above

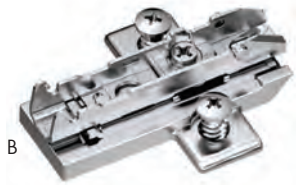


**GRASS TIOMOS THICK & INLINE BASEPLATES**



**Tiomos Thick Baseplates & Inline Baseplates**

- Steel, Nickel Plated
- Depth adjustment via worm gear
- Height adjustment via worm gear or elongated hole
- Side adjustment via hinge



Item #	Quick Code	Height	Fixing Type	# of Fixing Points	Box Qty	
<b>Cam Adjustable Thick Wing Plates - Height Adjustment via Worm Gear</b>						
A	GTIOF058139892217	GT329	6mm	Wood Screws	2	50
	GTIOF058139888217	GT328	9.5mm	Wood Screws	2	50
	GTIOF058139893217	GT330	12mm	Wood Screws	2	50
	GTIOF058139894217	GT331	19mm	Wood Screws	2	50
	GTIOF058139895217	GT340	21mm	Wood Screws	2	50
B	GTIOF058139873217	GT190	6mm	Pre-mounted Euro Screws (13.5mm)	2	50
	GTIOF058139882217	GT191	9.5mm	Pre-mounted Euro Screws (13.5mm)	2	50
	GTIOF058139874217	GT192	12mm	Pre-mounted Euro Screws (13.5mm)	2	50
	GTIOF058139875217	GT193	19mm	Pre-mounted Euro Screws (13.5mm)	2	50
	GTIOF058139896217	GT341	21mm	Pre-mounted Euro Screws (13.5mm)	2	50
<b>Cam Adjustable Inline Plates - Height Adjustment via Worm Gear</b>						
C	GTIOF059139701228	GT204	0mm	Wood Screws	2	150
	GTIOF059139702228	GT205	2mm	Wood Screws	2	150
	GTIOF059139703228	GT206	3mm	Wood Screws	2	150
D	GTIOF059139711228	GT207	0mm	Pre-mounted Euro Screws (13.5mm)	2	150
	GTIOF059139713228	GT209	3mm	Pre-mounted Euro Screws (13.5mm)	2	150

Accessory Items	
Item #	Description
AN608520	Vix Bit, 1/4" Hex Shank, #6 Screw
AN630520	Replacement Bit for above



A  
B  
C  
D  
E  
F  
G  
H  
I  
J  
K  
L  
M  
N  
O  
P  
Q  
R  
S  
T  
U  
V  
W  
X  
Y

**A GRASS TIOMOS FACE FRAME ADAPTER PLATES**

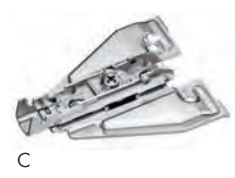
B  
C  
D  
E  
F  
G  
H  
I  
J  
K  
L  
M  
N  
O  
P  
Q  
R  
S  
T  
U  
V  
W  
X  
Y



**Timos Face Frame Adapter Plates**



- Steel, Nickel Plated
- Depth adjustment via worm gear
- Height adjustment via worm gear or elongated hole
- Side adjustment via hinge



Item #	Quick Code	Height	Fixing Type	# of Fixing Points	Box Qty	
<b>Standard One-Piece Face Frame Adapter Plates - Height Adjustment via Elongated Screw Holes</b>						
A	GTIOF058139821228	GT210	1.5mm	Wood Screws	2	150
	GTIOF058139822228	GT211	3.5mm	Wood Screws	2	150
B	GTIOF058139829228	GT218	3.5mm	Wood Screws - with Flange	4	150
	GTIOF058139830228	GT219	5mm	Wood Screws - with Flange	4	150
<b>Cam Adjustable Face Frame Adapter Plates - Height Adjustment via Worm Gear</b>						
C	GTIOF058139825228	GT214	1.5mm	Wood Screws	2	150
	GTIOF058139826228	GT215	3.5mm	Wood Screws	2	150
	GTIOF058139827228	GT216	4.5mm	Wood Screws	2	150
	GTIOF058139828228	GT217	5mm	Wood Screws	2	150
<b>Inset Face Frame Adapter Plate - Height Adjustment via Worm Gear</b>						
D	GTIOF058139831228	GT220	0mm	Wood Screws	3	150

Accessory Items	
Item #	Description
AN608520	Vix Bit, 1/4" Hex Shank, #6 Screw
AN630520	Replacement Bit for above



**Screws for Hinges & Baseplates, Flat Head**



- Sold by the box

Length x Gauge	Drive	Box Qty	Item #	Quick Code	Box Qty	Item #	Quick Code
<b>Nickel Finish</b>							
1/2" x 6	Phillips	1,000	WUMS6X12FCPNT	L54200	5,000	WUMS6X12FCPNB	L54300
5/8" x 6	Phillips	1,000	WUMS6X58FCPNT	L54375	5,000	WUMS6X58FCPN5B	L54380
3/4" x 6	Phillips	1,000	WUMS6X34FCPNT	L54680	5,000	WUMS6X34FCPNB	L54690
<b>Zinc Finish</b>							
1/2" x 6	Phillips	1,000	WUMS6X12FCPZT	L42100	5,000	WUMS6X12FCPZB	L42150
5/8" x 6	Phillips	1,000	WUMS6X58FCPZT	L42300	5,000	WUMS6X58FCPZ5B	L42390
3/4" x 6	Phillips	1,000	WUMS6X34FCPZT	L42500	5,000	WUMS6X34FCPZB	L43150



**Screws for Face Frame Hinges, Modified Truss Head Type 17 Point**

- Sold by the box

Length x Gauge	Drive	Box Qty	Item #	Quick Code
3/4" x 8	Phillips	1,000	WUMS8X34MCPNPT	L46300
3/4" x 10	Phillips	1,000	WUMS10X34PPCSNT	L45820

**GRASS TIOMOS HINGE ACCESSORIES**



**+5° Wedge for Screw Fixing**



- Zinc, nickel plated
- For placing under wing mounting plates
- Can be stacked (max. 3)

Item #	Quick Code	Height	Fixing Type	Box Qty
GTIOF072135757217	GT202	3mm	For Wood Screws	50

A  
B  
C  
D  
E  
F  
G  
H  
I  
J  
K  
L  
M  
N  
O  
P  
Q  
R  
S  
T  
U  
V  
W  
X  
Y



**-5° Wedge for Screw Fixing**



- Zinc, nickel plated
- For placing under wing mounting plates
- Cannot be stacked

Item #	Quick Code	Height	Fixing Type	Box Qty
GTIOF072135758217	GT203	3mm	For Wood Screws	50



**Angle Reduction Clip to 120° - For 155° Tiomos Hinges**



- Plastic, black

Item #	Box Qty
GTIOF072135753517	50

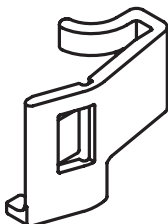


**Angle Reduction Clip to 85° - For 110° and 120° Tiomos Hinges**



- Works for all TIOMOS 110° and 120° standard hinges
- Reduces the opening angle to 85° to prevent doors from bumping the cabinet side in inset or mitered corner applications

Item #	Quick Code	Finish	Box Qty
GTIOF072135751517	GT224	Steel, Nickel-Plated	50



**Hinge Clip Protector**



- Prevents accidental release of the hinge from the baseplate
- For use in lockers, wardrobes, office furniture, or similar applications

Item #	Finish	Box Qty
GF072135807540	Steel, Nickel-Plated	500

**A GRASS TIOMOS HINGE ACCESSORIES**

**B**  
**C**  
**D**  
**E**  
**F**  
**G**  
**H**  
**I**  
**J**  
**K**  
**L**  
**M**  
**N**  
**O**  
**P**  
**Q**  
**R**  
**S**  
**T**  
**U**  
**V**  
**W**  
**X**  
**Y**



**Hinge Arm Cover Cap**



- For all Tiomos crankings
- Steel, nickel-plated

Item #	Quick Code	Box Qty
GTIOF072135500247	GT221	1,000



**Hinge Arm Cover Cap, Long**



- For Tiomos 00 and 03 crankings only

Item #	Quick Code	Box Qty
GTIOF072135504247	GT222	1,000



**Hinge Cup Cover Cap**



- Steel, nickel-plated

Item #	Quick Code	Box Qty
GTIOF072135503228	GT223	150



**Euro Screws, Nickel-Plated**



Item #	Description	Box Qty
G81015	13mm Euro Screw (1/2")	500
G83000	18mm Euro Screw (1 1/16")	500
G83001-43	7.5mm Euro Screw (5/16")	500



**Wood Screws, Nickel-Plated**



Item #	Description	Box Qty
G81014-43	#6 x 1/2" FHP Wood Screw	500
G81001-43	#6 x 5/8" FHP Wood Screw	500
G6X34FHNI	#6 x 3/4" FHP Wood Screw	500



**Pozidrive Screwdriver**



Item #	Description	Box Qty
GPD	#2 Pozidrive Screwdriver for Hinges	1

**GRASS TIOMOS TIPMATIC**



**Tiomos 110° Tipmatic Plus Hinges for Handle-Free Doors**



- Integrated spring in hinge arm assists Tipmatic Pin for handle-free door opening
- Extended opening angle
- Works with Tipmatic Pin system
- 3 dimensional adjustment with suitable baseplate
- Compatible with all Tiomos baseplates

Item #	Overlay	Boring Pattern	Box Qty
GTIOF046140360213	Overlay (Cranking 03)	45mm	25
GTIOF046140366213	Inset (Cranking 19)	45mm	25



Cover Caps			
Item #	Quick Code	Finish	Box Qty
GTIOF072135500247	GT221	Steel, Nickel-Plated	1,000



Opening Angle Reduction Clip to 85°			
Item #	Quick Code	Finish	Box Qty
GTIOF072135751517	GT224	Steel, Nickel-Plated	50



Hinge Cup Cover Cap			
Item #	Quick Code	Finish	Box Qty
GTIOF072135503228	GT223	Steel, Nickel-Plated	150



#6 x 5/8" FHP Screw		
Item #	Finish	Box Qty
G81001-43	Steel, Nickel-Plated	500

A  
B  
C  
D  
E  
F  
G  
H  
I  
J  
K  
L  
M  
N  
O  
P  
Q  
R  
S  
T  
U  
V  
W  
X  
Y

**A GRASS TIOMOS TIPMATIC**



**Tipmatic for Handle-Free Wooden Doors**



- Gently tapping the front causes the doors to open to a convenient angle
- Any free-swing hinges can be used
- Large magnet catch range – closes doors reliably
- Gap adjustment from 2.5 to 5.5 mm with integrated, self-locking and tool-less depth adjustment feature
- Mount on the front side of the cabinet or with an adapter plate

B  
C  
D  
E  
F  
G  
H  
I  
J  
K  
L  
M  
N  
O  
P  
Q  
R  
S  
T  
U  
V  
W  
X  
Y



**Tipmatic Pin**



- Includes Tipmatic mechanism (hole edge cover 1mm), Stick on strike plate, and screw on strike plate
- Hole drilled from the front
- Plastic RAL 7036, platinum grey

Item #	Box Qty
GF069135396513	25



**Line Boring Adapter Plate**



- Suitable for line boring 28mm and 37mm
- Attach with Euro Screws (6.3mm x 13.5mm)
- Plastic RAL 7035, light grey

Item #	Box Qty
GF069063310213	25



**Linear Adapter Plate**



- Design solution - also suitable for insets
- Attach with wood screws (3.5mm x 13mm)
- Plastic RAL 7035, light grey

Item #	Box Qty
GF069073696213	25

**GRASS NEXIS EURO HINGES**



**110° Hinges for Standard Doors**



- 3-dimensional adjustment with suitable baseplate
- Soft-close compatible
- Shallow cup depth: Nexis 11mm & Nexis Impresso 11.5mm
- Accommodates overlays up to 20mm (25/32")
- For face frame and frameless cabinets
- Combination drilling pattern for Nexis Impresso



**Cover Caps**

Item #	Box Qty
--------	---------

**Steel, Nickel-Plated Cover Cap for Nexis Full Overlay Hinges**

A	GF069073683247	1,000
---	----------------	-------

**Black Plastic Cover Cap for Nexis Full Overlay, Half Overlay and Inset Hinges**

B	GNX924.200.40.0115	1,000
---	--------------------	-------

Item #	Boring Pattern	Fixing Type	Close Type	Box Qty
<b>Full Overlay Hinges - Cranking 00</b>				
GNX138.322.73.0015	42mm	Screw-On	Self-Close	250
GNX015072925236	42mm	Dowelled	Self-Close	250
GNX014072544225	42/45mm	Impresso (Tool-less)	Self-Close	125
GNX015072632236	45mm	Screw-On	Self-Close	250
GNX148.322.54.0015	45mm	Dowelled	Self-Close	250
GNX146.322.53.0015	48mm	Screw-On	Self-Close	250
GNX146.322.54.0015	48mm	Dowelled	Self-Close	250
G146.622.35.0015	45/48mm	Impresso (Tool-less)	Self-Close	125
<b>Half Overlay Hinges - Cranking 08</b>				
GNX015072934236	42mm	Screw-On	Self-Close	250
GNX138.322.74.0815	42mm	Dowelled	Self-Close	250
GNX014072547225	42/45mm	Impresso (Tool-less)	Self-Close	125
GNX148.322.53.0815	45mm	Screw-On	Self-Close	250
GNX148.322.54.0815	45mm	Dowelled	Self-Close	250
GNX015072818236	48mm	Screw-On	Self-Close	250
G146.622.35.0815	45/48mm	Impresso (Tool-less)	Self-Close	125
<b>Inset Hinges - Cranking 15 - Opening Angle 100°</b>				
GNX015072881236	42mm	Dowelled	Self-Close	250
GNX148.304.54.1515	45mm	Dowelled	Self-Close	100
G146.304.56.1515	48mm	Dowelled	Self-Close	250



**85° Angle Reduction Clip - Black Plastic**

Item #	Box Qty
--------	---------

GF069135032547	1,000
----------------	-------



**#6 x 5/8" FHP Wood Screw, Nickel-Plated**

Item #	Box Qty
--------	---------

G81001-43	500
-----------	-----

A  
B  
C  
D  
E  
F  
G  
H  
I  
J  
K  
L  
M  
N  
O  
P  
Q  
R  
S  
T  
U  
V  
W  
X  
Y

**A GRASS NEXIS EURO HINGES**



**125° Hinges for Standard Doors**



- 3-dimensional adjustment with suitable baseplate
- Soft-close compatible
- Accommodates overlays up to 19mm (3/4")
- For door thickness up to 19mm (3/4")
- Alternative solution for wide angle application
- For face frame and frameless cabinets
- Combination drilling pattern for Nexis Impresso

Item #	Boring Pattern	Fixing Type	Close Type	Box Qty
<b>Full Overlay Hinges - Cranking 00</b>				
GNX138.329.73.0015	42mm	Screw-On	Self-Close	250
GNX138.329.74.0015	42mm	Dowelled	Self-Close	250
GNX148.329.31.0015	45mm	Screw-On	Self-Close	250
GNX015072636236	45mm	Dowelled	Self-Close	250
GNX146.329.55.0015	48mm	Screw-On	Self-Close	250
GNX146.329.56.0015	48mm	Dowelled	Self-Close	250
GNX014072524225	45/48mm	Impresso (Tool-less)	Self-Close	125



<b>Cover Caps</b>			
	Item #	Description	Box Qty
A	GF069073683247	Steel, Nickel-Plated Cover Cap for Nexis Full Overlay Hinges	1,000
B	GNX924.200.40.0115	Black Plastic Cover Cap for Nexis Full Overlay, Half Overlay and Inset Hinges	1,000



<b>#6 x 5/8" FHP Wood Screw, Nickel-Plated</b>	
Item #	Box Qty
G81001-43	500



**GRASS NEXIS EURO HINGES**



**170° Hinges for Standard Doors**



- 3-dimensional adjustment with suitable baseplate
- Soft-close compatible
- Accommodates overlays up to 19mm (3/4")
- Shallow cup depth: 11mm for Nexis & Nexis Impresso
- Zero protrusion when door opened 90°
- Finger protection
- For face frame and frameless cabinets
- Combination drilling pattern for Nexis Impresso

Item #	Boring Pattern	Fixing Type	Close Type	Box Qty
<b>Full Overlay Hinges - Cranking 00</b>				
GNX138.765.73.0015	42mm	Screw-On	Self-Close	50
GNX138.765.74.0015	42mm	Dowelled	Self-Close	50
GF014072550217	42/45mm	Impresso (Tool-less)	Self-Close	50
GNX148.765.54.0015	45mm	Dowelled	Self-Close	50
G146.765.54.0015	48mm	Dowelled	Self-Close	50
G146.765.35.0015	45/48mm	Impresso (Tool-less)	Self-Close	50
<b>Half Overlay Hinges - Cranking 08</b>				
GNX015072957217	42mm	Dowelled	Self-Close	50
GNX148.765.53.0015	45mm	Screw-On	Self-Close	50



**120° Angle Reduction Clip**

- Black plastic
- Opening angle reduction to 120°
- Prevents doors bumping with the cabinet side in inset applications and mitered corner applications

Item #	Box Qty
G641.000.09.9862	250



**#6 x 5/8" FHP Wood Screw, Nickel-Plated**

Item #	Box Qty
G81001-43	500

A  
B  
C  
D  
E  
F  
G  
H  
I  
J  
K  
L  
M  
N  
O  
P  
Q  
R  
S  
T  
U  
V  
W  
X  
Y

**A GRASS NEXIS EURO HINGES**

B  
C  
D  
E  
F  
G  
H  
I  
J  
K  
L  
M  
N  
O  
P  
Q  
R  
S  
T  
U  
V  
W  
X  
Y



**Nexis 95° Hinges for Thick or Profile Doors**



- 3-dimensional adjustment with suitable baseplate
- Soft-close compatible
- Accommodates overlays up to 19mm (3/4")
- Minimal gap dimensions on thick doors
- For door thickness up to 30mm (1-3/16")

Item #	Boring Pattern	Fixing Type	Close Type	Box Qty
<b>Full Overlay Hinges - Cranking 00</b>				
GNX015072889236	42mm	Screw-On	Self-close	250
<b>Half Overlay Hinges - Cranking 08</b>				
GNX015072762236	48mm	Screw-On	Free Swing	250



**Nexis 95° Hinges with 40mm Cup for Profile Doors**



- 3-dimensional adjustment with suitable baseplate
- Accommodates door overlays up to 23mm (7/8")
- Minimal gap dimensions on thick doors
- Excellent weight capacity for heavy profile doors
- For profile or frame doors up to 36mm thick
- Special spring mechanism ensures excellent closing force - even with large doors

Item #	Boring Pattern	Fixing Type	Close Type	Box Qty
<b>Full Overlay Hinges - Cranking 00</b>				
G146.425.53.0015	48mm	Screw-On	Self-close	125
<b>Half Overlay Hinges - Cranking 08</b>				
G146.425.53.0815	48mm	Screw-On	Self-close	125



Cover Caps			
Item #	Description	Box Qty	
A	GF069073683247 Steel, Nickel-Plated Cover Cap for Nexis Full Overlay Hinges	1,000	
B	GNX924.200.40.0115 Black Plastic Cover Cap for Nexis Full Overlay, Half Overlay and Inset Hinges	1,000	



#6 x 5/8" FHP Wood Screw, Nickel-Plated	
Item #	Box Qty
G81001-43	500

**GRASS NEXIS SPECIALTY HINGES**

A  
B  
C  
D  
E  
F  
G  
H  
I  
J  
K  
L  
M  
N  
O  
P  
Q  
R  
S  
T  
U  
V  
W  
X  
Y



**Nexis PCC Pie-Cut Corner Hinges**



- 3-dimensional adjustment with suitable baseplate
- Designed for connecting two folding doors in corner cabinet
- For door thicknesses 16 to 22mm
- Used in conjunction with Nexis 170° hinges

Item #	Boring Pattern	Fixing Type	Close Type	Box Qty
GNX015072653225	45mm	Dowelled	Self-Close	125
GNX015072858225	48mm	Screw-On	Self-Close	125
GNX146.700.02.0015	48mm	Dowelled	Self-Close	125



**Nexis 21 PCC Pie-Cut Corner Hinges with Full Cup Recess**



- 3-dimensional adjustment with suitable baseplate
- Designed for folding doors in corner cabinets
- For door thicknesses 24mm max, factory setting 19mm door thickness with 4mm drilling distance
- Used in conjunction with Nexis 170 hinges
- Shallow cup depth of 10.8mm

Item #	Boring Pattern	Fixing Type	Close Type	Box Qty
GNX015070139225	42mm	Screw-On	Self-close	125
GNX015070140225	42mm	Dowelled	Self-close	125



Item #	Description	Box Qty
GNX924.200.40.0115	Black Plastic Cover Cap for Nexis Full Overlay, Half Overlay and Inset Hinges	1,000



Item #	Description	Box Qty
G81001-43	#6 x 5/8" FHP Wood Screw, Nickel-Plated	500

**A GRASS NEXIS SPECIALTY HINGES**

B  
C  
D  
E  
F  
G  
H  
I  
J  
K  
L  
M  
N  
O  
P  
Q  
R  
S  
T  
U  
V  
W  
X  
Y



**95° Opening +45° Angle Corner Cabinet Hinges**



- 3-dimensional adjustment with suitable baseplate
- Soft-close compatible
- Minimal gap dimensions on door thickness of up to 30mm
- For 45° angle corner cabinets
- Combination drilling pattern for Nexis Impresso

Item #	Boring Pattern	Fixing Type	Close Type	Box Qty
<b>Inset</b>				
GNX148.405.06.0315	45mm	Screw-On	Self-Close	125
GNX148.405.08.0315	45mm	Dowelled	Self-Close	125
G146.405.54.0315	48mm	Dowelled	Self-Close	125
G146.705.35.0315	45/48mm	Impresso (Tool-less)	Self-Close	125



**95° Opening 90° Inset Post Hinge for Blind Corner Cabinets**



- 3-dimensional adjustment with suitable baseplate
- Soft-close compatible
- Minimal gap dimensions on door thickness of up to 30mm

Item #	Boring Pattern	Fixing Type	Close Type	Box Qty
<b>Inset</b>				
GNX148.405.12.9615	45mm	Dowelled	Self-Close	125



Item #	Description	Box Qty
GNX924.200.40.0115	Black Plastic Cover Cap for Nexis Full Overlay, Half Overlay and Inset Hinges	1,000



Item #	Description	Box Qty
G81001-43	#6 x 5/8" FHP Wood Screw, Nickel-Plated	500

**GRASS NEXIS SPECIALTY HINGES**



**975 VZ PCC Pie Cut Corner Hinge**

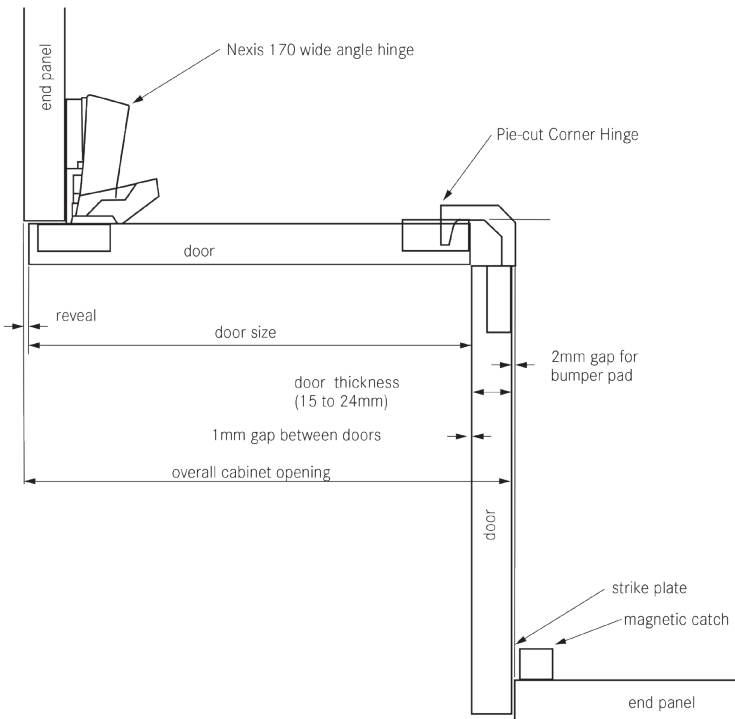


- Small or large gap between door
- Shallow profile does not interfere with lazy susans
- Same drilling on both doors
- Height adjustable
- Accommodates doors 15 to 24mm thick

**975 VZ Pie Cut Corner Hinge**

Item #	Description	Finish	Box Qty
G13128-37	975 VZ Pie Cut Corner Hinge Kit	Zinc, Nickel-Plated	50

NOTE: Kit consists of (2) PCC hinges, (1) strike plate, (1) magnetic catch, and (1) instruction sheet



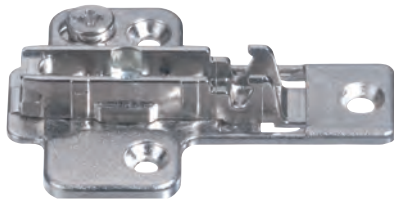
Door Sizing Example	
Overall cabinet opening	305mm
-Reveal	3mm
	= 302mm
-2mm gap for bumper pad	2mm
	=300mm
-Door Thickness	19mm
	=281mm
-1 mm Gap between doors	1 mm
<b>Door size</b>	<b>=280mm</b>

NOTE: Use a POZIdrive screwdriver for hinge adjustment.  
Fastening screws for hinge: #6 x 5/8" FHP (not included)  
Fastening screws for catch: #4 x 5/8" FHP (not included)

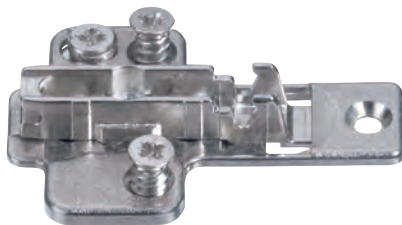
A  
B  
C  
D  
E  
F  
G  
H  
I  
J  
K  
L  
M  
N  
O  
P  
Q  
R  
S  
T  
U  
V  
W  
X  
Y

**A GRASS NEXIS BASEPLATES**

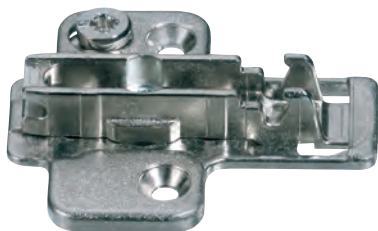
- Steel, nickel plated
- Depth and height adjustment via eccentric cam
- Side adjustment via hinge
- Use a #2 Pozi drive screwdriver for hinge adjustment



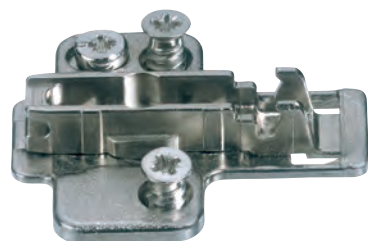
Cam Baseplates, 3-Point Fixing			
Item #	Height	Fixing Type	Box Qty
GF061073214236	0mm	For Wood Screws	250
G314.493.70.0215	2mm	For Wood Screws	250
G314.493.70.0415	4mm	For Wood Screws	250
G314.493.70.0815	8mm	For Wood Screws	250



Cam Baseplates, 3-Point Fixing			
Item #	Height	Fixing Type	Box Qty
GF061073232236	0mm	Pre-Mounted Euro Screws	250
G318.493.70.0215	2mm	Pre-Mounted Euro Screws	250
G318.493.70.0815	8mm	Pre-Mounted Euro Screws	250



Cam Baseplates, 2-Point Fixing			
Item #	Height	Fixing Type	Box Qty
GNX314.493.71.0015	0mm	For Wood Screws	250
GF061073254236	2mm	For Wood Screws	250
GNX314.493.71.0415	4mm	For Wood Screws	250
GNX314.493.71.0815	8mm	For Wood Screws	250



Cam Baseplates, 2-Point Fixing			
Item #	Height	Fixing Type	Box Qty
GNX318.493.71.0015	0mm	Pre-Mounted Euro Screws	250
GNX318.493.71.0215	2mm	Pre-Mounted Euro Screws	250
GNX318.493.71.0415	4mm	Pre-Mounted Euro Screws	250
GNX318.493.71.0615	6mm	Pre-Mounted Euro Screws	250
GNX318.493.71.0815	8mm	Pre-Mounted Euro Screws	250

## GRASS NEXIS BASEPLATES



- Height adjustable
- Depth adjustment via hinge arm
- Side adjustment via hinge
- Use a #2 Pozi drive screwdriver for hinge adjustment
- Attach baseplates using all available screw holes



Cam Height Adjustable Baseplates, 2-Point Fixing				
Item #	Height	Fixing Type	Finish	Box Qty
GNX314.393.81.0015	0mm	For Wood Screws	Steel, Nickel-Plated	250
GF060073143236	2mm	For Wood Screws	Steel, Nickel-Plated	250



Cam Height Adjustable Baseplates, 2-Point Fixing				
Item #	Height	Fixing Type	Finish	Box Qty
GNX318.393.69.0015	0mm	Pre-Mounted Euro Screws	Steel, Nickel-Plated	250
GF060073177236	2mm	Pre-Mounted Euro Screws	Steel, Nickel-Plated	250



2-Piece Height Adjustable Baseplates, 3-Point Fixing				
Item #	Height	Fixing Type	Finish	Box Qty
GNX315.393.55.0015	0mm	For Wood Screws	Steel/die-cast, Nickel-Plated	250
GNX315.393.55.0215	2mm	For Wood Screws	Steel/die-cast, Nickel-Plated	250
GNX315.393.55.0415	4mm	For Wood Screws	Steel/die-cast, Nickel-Plated	250
G315.393.55.0815	8mm	For Wood Screws	Steel/die-cast, Nickel-Plated	250



2-Piece Height Adjustable Baseplates, 3-Point Fixing			
Item #	Height	Fixing Type	Box Qty
GNX317.393.56.0015	0mm	For Euro Screws	250
GNX317.393.56.0215	2mm	For Euro Screws	250

A  
B  
C  
D  
E  
F  
G  
H  
I  
J  
K  
L  
M  
N  
O  
P  
Q  
R  
S  
T  
U  
V  
W  
X  
Y

**A GRASS NEXIS BASEPLATES**

B  
C  
D  
E  
F  
G  
H  
I  
J  
K  
L  
M  
N  
O  
P  
Q  
R  
S  
T  
U  
V  
W  
X  
Y

- Steel, nickel-plated
- Height adjustment via elongated screw holes
- Side adjustment via elongated hole
- Use a #2 Pozi drive screwdriver for hinge adjustment
- Attach baseplates using all available screw holes



Wing Steel Baseplate, 2-Point Fixing			
Item #	Height	Fixing Type	Box Qty
GF060073144236	0mm	For Wood Screws	250
GF060073145236	2mm	For Wood Screws	250
GF060073146236	4mm	For Wood Screws	250



Wing Steel Baseplate, 2-Point Fixing			
Item #	Height	Fixing Type	Box Qty
GNX318.393.81.0015	0mm	Pre-Mounted Euro Screws	250
GNX318.393.81.0215	2mm	Pre-Mounted Euro Screws	250
GNX318.393.81.0415	4mm	Pre-Mounted Euro Screws	250

**WÜRTH LOUIS AND COMPANY IS YOUR ONE SOURCE FOR ALL OF YOUR WOODWORKING PROJECTS!**

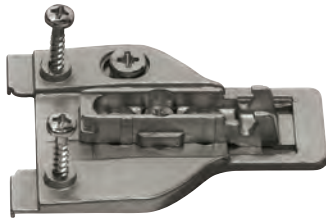
Service • Selection • Quality





**GRASS NEXIS FACE FRAME BASEPLATES**

- Use a #2 Pozi drive screwdriver for hinge adjustment
- Attach baseplates using all available screw holes



**FFA Cam Baseplate**

- Height and depth adjustment via eccentric cam

Item #	Height	Fixing Type	Box Qty
GNX346.290.92.0015	0mm	Pre-mounted Wood Screws	250
GNX346.290.92.0415	4mm	Pre-mounted Wood Screws	250

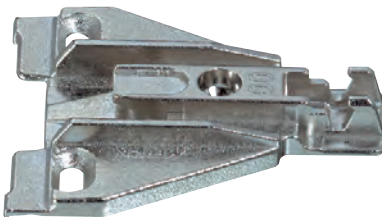


**FFA Cam Baseplate**

- Height and depth adjustment via eccentric cam



Item #	Height	Fixing Type	Box Qty
GNX346.290.91.0015	0mm	For Wood Screws	250
GNX346.290.91.0215	2mm	For Wood Screws	250
GF061073281236	4mm	For Wood Screws	250

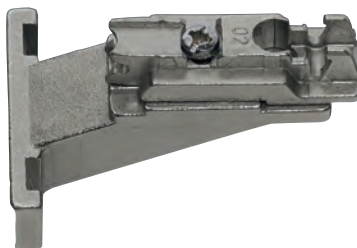


**FFA Baseplate**

- Height adjustment via elongated hole



Item #	Height	Fixing Type	Box Qty
GNX346.290.88.0015	0mm	For Wood Screws	250
GNX346.290.88.0415	4mm	For Wood Screws	250



**Inset FFA Baseplate**

- For inset doors
- To be used with half overlay (cranking 08) hinges
- Height adjustment via screw



Item #	Height	Fixing Type	Box Qty
GNX346.290.90.0215	2mm	For Wood Screws	250

A  
B  
C  
D  
E  
F  
G  
H  
I  
J  
K  
L  
M  
N  
O  
P  
Q  
R  
S  
T  
U  
V  
W  
X  
Y

**A SOFT-CLOSE ADAPTERS FOR NEXIS HINGES**

B  
C  
D  
E  
F  
G  
H  
I  
J  
K  
L  
M  
N  
O  
P  
Q  
R  
S  
T  
U  
V  
W  
X  
Y



**For Nexis 95°, 100°, 110° and 125° Hinges**



- Slows door action to close quietly
- Quick and easy to attach
- Completely tool-free
- Damping force can be individually adjusted
- Best suited for flat panel doors

**Soft-Close Nexis Set**

- Set consists of:
  - (1) Soft-close adapter with pre-mounted damper
  - (1) Cover cap for hinge cup
  - (2) Cover caps for hinge arm

Item #	Box Qty
GNX924.200.40.0215	125



A

Soft-Close Nexis - Individual Parts			
	Item #	Description	Box Qty
A	GNX924.200.55.0115	Soft-Close Adapter	125
B	GF069073683247	Cover Caps for Hinges - Full Overlay (00 Cranking)	1,000



B

**SOFT-CLOSE ADAPTERS FOR NEXIS IMPRESSO HINGES**



**For Nexis Impresso 95°, 100°, 110°, and 125° Hinges**

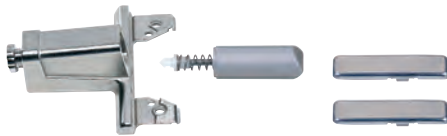


- Soft-close adapter for Nexis Impresso hinges
- Slows door action to close quietly
- Quick and easy to attach
- Completely tool-free
- Damping force can be individually adjusted
- Best suited for flat panel doors

**• Soft-Close Impresso Set**

Set Consists of:

- (1) Soft-close adapter for Nexis Impresso Hinges
- (1) Soft-close damper
- (2) Cover caps



Item #	Box Qty
GSMG	125



A



B



C

Soft-Close NEXIS Impresso - Individual Parts		
Item #	Description	Box Qty
A	GF069073726225 Soft-close Impresso Adapter	125
B	G924.012.50.0142 Soft-close Damper	125
C	GF069073683247 Cover Caps for Hinges - Full Overlay (00 Cranking)	1,000



**For Nexis Impresso 170° and Nexis 170° Wide-Angle Hinges**



- Soft-close adapter for 170° wide-angle hinges
- Slows door action to close quietly
- Simply snap in place
- Completely tool-free
- Perfect retrofit solution

Item #	Box Qty
GNXF069073729225	125



A  
B  
C  
D  
E  
F  
G  
H  
I  
J  
K  
L  
M  
N  
O  
P  
Q  
R  
S  
T  
U  
V  
W  
X  
Y

**A GRASS NEXIS HINGE ACCESSORIES**



Cover Caps		
Item #	Description	Box Qty
A GF069073683247	Steel, Nickel-Plated Cover Cap for Nexis Full Overlay Hinges	1,000
B GNX924.200.40.0115	Black Plastic Cover Cap for Nexis Full Overlay, Half Overlay and Inset Hinges	1,000



85° Angle Reduction Clip - Black Plastic	
Item #	Box Qty
GF069135032547	1,000



**120° Angle Reduction Clip**

- Black plastic
- Opening angle reduction to 120°
- Prevents doors bumping with the cabinet side in inset applications and mitered corner applications

Item #	Box Qty
G641.000.09.9862	1,000



#6 x 5/8" FHP Wood Screw, Nickel-Plated	
Item #	Box Qty
G81001-43	500

A  
B  
C  
D  
E  
F  
G  
H  
I  
J  
K  
L  
M  
N  
O  
P  
Q  
R  
S  
T  
U  
V  
W  
X  
Y

**GRASS TEC 864 SOFT-CLOSE HINGES**



**108° Opening Angle - 1/4" to 1" Overlay**



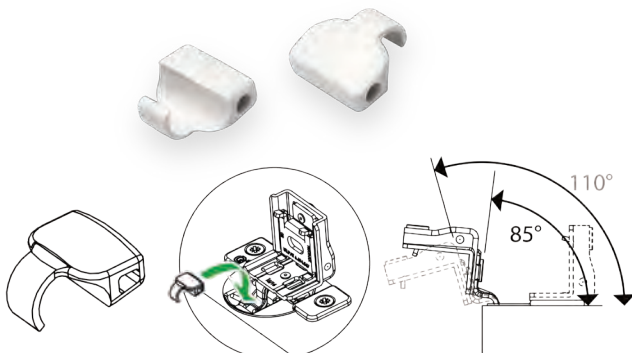
- Soft-close damper is pre-mounted in the hinge cup
- Adjustment switch to regulate closing action
- One piece hinge and baseplate combination
- 3 dimensional adjustment
- 11mm (7/16") cup drilling depth
- Front locating tabs position hinge on face frame
- Cam side adjustment
- Cam depth adjustment
- Height adjustment at mounting screw
- Works with current GRASS insertion machinery
- Made in the USA

Side-Mount - 45mm Boring Pattern			
Item #	Overlay	Fixing Type	Box Qty
GTEC2750-15	1/2"	Dowelled	300
GTEC4423A-15	1/2"	Screw-On	300
GTEC1995A-15	5/8"	Dowelled	300

Side-Mount - 42mm Boring Pattern			
Item #	Overlay	Fixing Type	Box Qty
GTEC2749-15	1/2"	Dowelled	300

Wrap-Around 45mm Boring Pattern			
Item #	Overlay	Fixing Type	Box Qty
GTEC2791-15	1/4"	Dowelled	300
GTEC4429-15	1/4"	Screw-On	300
GTEC2858A-15	7/16"	Dowelled	300
GTEC2670A-15	7/16"	Screw-On	300
GTEC2870-15	1/2"	Dowelled	300
GTEC4431-15	1/2"	Screw-On	300
GTEC2875-15	3/4"	Dowelled	300
GTEC4432-15	3/4"	Screw-On	300
GTEC2745-15	1"	Dowelled	300
GTEC4441-15	1"	Screw-On	300

Wrap-Around 42mm Boring Pattern			
Item #	Overlay	Fixing Type	Box Qty
GTEC2788-15	1/4"	Dowelled	300
GTEC02809A-15	7/16"	Dowelled	300
GTEC2824-15	1/2"	Dowelled	300
GTEC2825-15	3/4"	Dowelled	300
GTEC2834-15	1"	Dowelled	300



**Angle Restriction Clip**

- Reduces opening angle from 108° to 85°

Item #	Box Qty
G80125-42	100

A  
B  
C  
D  
E  
F  
G  
H  
I  
J  
K  
L  
M  
N  
O  
P  
Q  
R  
S  
T  
U  
V  
W  
X  
Y

A  
B  
C  
D  
E  
F  
G  
H  
I  
J  
K  
L  
M  
N  
O  
P  
Q  
R  
S  
T  
U  
V  
W  
X  
Y

**GRASS TEC 864 SOFT-CLOSE HINGES**



**108° Opening Angle - 1-1/4" to 1-1/2" Overlay**

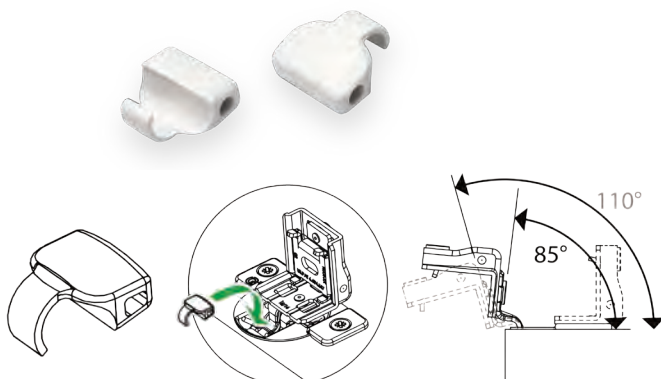
- Soft-close damper is pre-mounted in the hinge cup
- Adjustment switch to regulate closing action
- One piece hinge and baseplate combination
- 3 dimensional adjustment
- 11 mm (7/16") cup drilling depth
- Front locating tabs position hinge on face frame
- Cam side adjustment
- Cam depth adjustment
- Height adjustment at mounting screw
- Works with current GRASS insertion machinery
- Made in the USA

Side-Mount - 45mm Boring Pattern			
Item #	Overlay	Fixing Type	Box Qty
GTEC2780-15	1-1/4"	Dowelled	300
GTEC2785A-15	1-3/8"	Dowelled	300

Side-Mount - 42mm Boring Pattern			
Item #	Overlay	Fixing Type	Box Qty
GTEC2838-15	1-1/4"	Dowelled	300

Wrap-Around 45mm Boring Pattern			
Item #	Overlay	Fixing Type	Box Qty
GTEC2910-15	1-1/4"	Dowelled	300
GTEC4547-15	1-1/4"	Screw-On	300
GTEC2198A-15	1-5/16"	Dowelled	300
GTEC2176A-15	1-5/16"	Screw-On	300
GTEC2782-15	1-3/8"	Dowelled	300
GTEC4548-15	1-3/8"	Screw-On	300
GTEC2805-15	1-1/2"	Dowelled	300
GTEC4549-15	1-1/2"	Screw-On	300

Wrap-Around 42mm Boring Pattern			
Item #	Overlay	Fixing Type	Box Qty
GTEC2836-15	1-1/4"	Dowelled	300
GTEC2839-15	1-1/2"	Dowelled	300



**Angle Restriction Clip**

- Reduces opening angle from 108° to 85°

Item #	Box Qty
G80125-42	100

**GRASS TEC 863 SOFT-CLOSE & SELF-CLOSE FACE MOUNT HINGES**



**108° Opening Angle - For Overlays  
1-7/16" and Greater**

- Available in Soft-close and Self-close
- Soft-close damper is pre-mounted in the hinge cup
- Adjustment switch on Soft-close to regulate closing action
- One piece hinge and baseplate combination
- 2 dimensional adjustment
- 1 1mm (7/16") cup drilling depth
- Height adjustment at mounting screw
- Made in the USA

Face-Mount 45mm Boring Pattern Soft-Close			
Item #	Overlay	Fixing Type	Box Qty
GTEC2294A-15	1-7/16+	Dowelled	300
GTEC2295A-15	1-7/16+	Screw-On	300

Face-Mount 45mm Boring Pattern Self-Close			
Item #	Overlay	Fixing Type	Box Qty
GTEC2283-15	1-7/16+	Dowelled	300
GTEC2284-15	1-7/16+	Screw-On	300

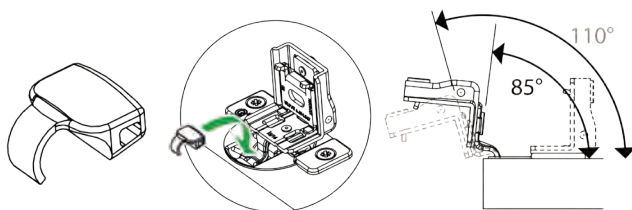
Face-Mount 42mm Boring Pattern Self-Close			
Item #	Overlay	Fixing Type	Box Qty
GTEC02282-15	1-7/16+	Dowelled	300



**Angle Restriction Clip**

- Reduces opening angle from 108° to 85°

Item #	Box Qty
G80125-42	100



A  
B  
C  
D  
E  
F  
G  
H  
I  
J  
K  
L  
M  
N  
O  
P  
Q  
R  
S  
T  
U  
V  
W  
X  
Y

**A GRASS TEC 864 SELF-CLOSE HINGES**



**108° Opening Angle - 1/4" to 1" Overlay**



- One piece hinge and baseplate combination
- 3 dimensional adjustment
- 11mm (7/16") cup drilling depth
- Front locating tabs position hinge on face frame
- Cam side adjustment
- Cam depth adjustment
- Height adjustment at mounting screw
- Works with current GRASS insertion machinery
- Made in the USA

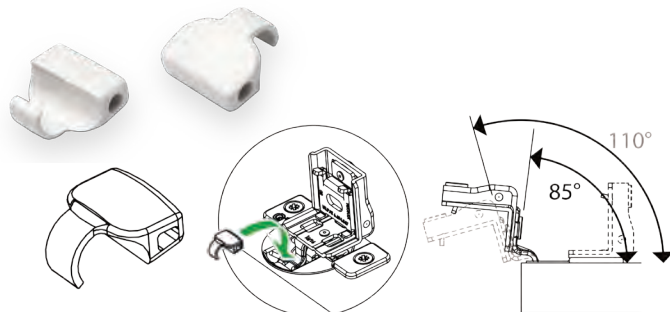
B  
C  
D  
E  
F  
G  
H  
I  
J  
K  
L  
M  
N  
O  
P  
Q  
R  
S  
T  
U  
V  
W  
X  
Y

Side-Mount - 45mm Boring Pattern			
Item #	Overlay	Fixing Type	Box Qty
GTEC864VS8-45-1/4	1/4"	Dowelled	300
GTEC4386-15	1/4"	Screw-On	300
GTEC864VS8-45	1/2"	Dowelled	300
GTEC4387-15	1/2"	Screw-On	300
GTEC864VS8-0745	5/8"	Dowelled	300
GTEC2878-15	3/4"	Dowelled	300
GTEC4390-15	3/4"	Screw-On	300
GTEC864VS8-45-1	1"	Dowelled	300
GTEC4395-15	1"	Screw-On	300

Side-Mount - 42mm Boring Pattern			
Item #	Overlay	Fixing Type	Box Qty
GTEC864VS8-1/2	1/2"	Dowelled	300
GTEC864VS8-1	1"	Dowelled	300

Wrap-Around 45mm Boring Pattern			
Item #	Overlay	Fixing Type	Box Qty
GTEC02847-15	1/4"	Dowelled	300
GTEC4396-15	1/4"	Screw-On	300
GTEC02904-15	7/16"	Dowelled	300
GTEC864VS8-45-1/2	1/2"	Dowelled	300
GTEC4399-15	1/2"	Screw-On	300
GTEC864VS8-45U-3/4	3/4"	Dowelled	300
GTEC4400-15	3/4"	Screw-On	300
GTEC02882-15	1"	Dowelled	300
GTEC4401-15	1"	Screw-On	300

Wrap-Around 42mm Boring Pattern			
Item #	Overlay	Fixing Type	Box Qty
GTEC02846-15	1/4"	Dowelled	300
GTEC02869-15	1/2"	Dowelled	300
GTEC02873-15	3/4"	Dowelled	300
GTEC02879-15	1"	Dowelled	300



**Angle Restriction Clip**

- Reduces opening angle from 108° to 85°

Item #	Box Qty
G80125-42	100



**GRASS TEC 864 SELF-CLOSE HINGES**



**108° Opening Angle - 1-1/4" to 1-1/2" Overlay**

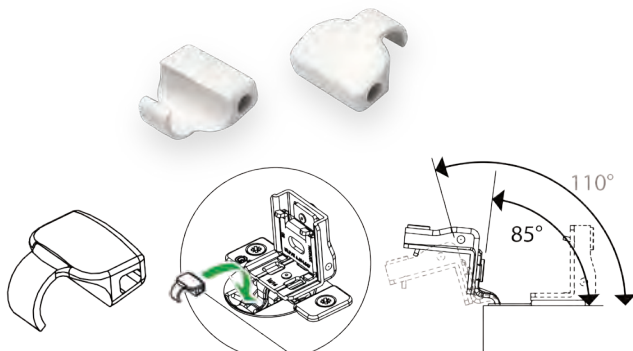
- One piece hinge and baseplate combination
- 3 dimensional adjustment
- 11mm (7/16") cup drilling depth
- Front locating tabs position hinge on face frame
- Cam side adjustment
- Cam depth adjustment
- Height adjustment at mounting screw
- Works with current GRASS insertion machinery
- Made in the USA

Side-Mount - 45mm Boring Pattern			
Item #	Overlay	Fixing Type	Box Qty
GTEC864VS8-45-1-14	1-1/4"	Dowelled	300
GTEC4466-15	1-1/4"	Screw-On	300
GTEC2898-15	1-3/8"	Dowelled	300
GTEC4468-15	1-3/8"	Screw-On	300
GTEC2903-15	1-1/2"	Dowelled	300
GTEC4469-15	1-1/2"	Screw-On	300

Side-Mount - 42mm Boring Pattern			
Item #	Overlay	Fixing Type	Box Qty
GTEC864VS8-1-1/4	1-1/4"	Dowelled	300
GTEC2897-15	1-3/8"	Dowelled	300
GTEC2902-15	1-1/2"	Dowelled	300

Wrap-Around 45mm Boring Pattern			
Item #	Overlay	Fixing Type	Box Qty
G02933	1-1/4"	Dowelled	300
GTEC4493-15	1-1/4"	Screw-On	300
GTEC02896-15	1-3/8"	Dowelled	300
GTEC4498-15	1-3/8"	Screw-On	300
GTEC2901-15	1-1/2"	Dowelled	300
GTEC4499-15	1-1/2"	Screw-On	300

Wrap-Around 42mm Boring Pattern			
Item #	Overlay	Fixing Type	Box Qty
GTEC02886-15	1-1/4"	Dowelled	300



**Angle Restriction Clip**

- Reduces opening angle from 108° to 85°

Item #	Box Qty
G80125-42	100

A  
B  
C  
D  
E  
F  
G  
H  
I  
J  
K  
L  
M  
N  
O  
P  
Q  
R  
S  
T  
U  
V  
W  
X  
Y

**A GRASS TEC 861 SELF-CLOSE HINGES**

B  
C  
D  
E  
F  
G  
H  
I  
J  
K  
L  
M  
N  
O  
P  
Q  
R  
S  
T  
U  
V  
W  
X  
Y

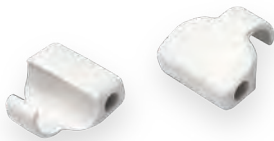


**108° Opening Angle**

- One piece hinge and baseplate combination
- 11mm (7/16") cup drilling depth
- Front locating tabs position hinge on face frame
- Works on door thicknesses from 13mm (1/2") to 19mm (3/4")
- Works with current GRASS machinery
- 85° angle reduction clip available
- Made in the USA



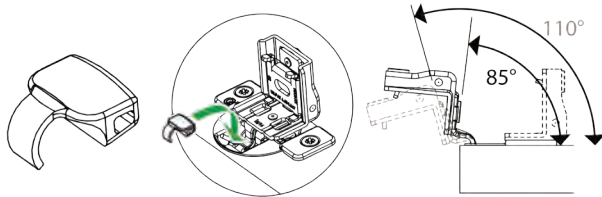
Side-Mount - 42mm Boring Pattern			
Item #	Overlay	Fixing Type	Box Qty
G04616-16	7/16"	Dowelled	400



**Angle Restriction Clip**

- Reduces opening angle from 108° to 85°

Item #	Box Qty
G80125-42	100



**Side Adjustment Spacer**

- 1.5mm (1/16") Slotted Spacer

Item #	Box Qty
G0047-42	100

**GRASS TEC 861 SELF-CLOSE HINGES FOR MDF FRAME MATERIAL**



**108° Opening Angle**

- Patented wrap-around baseplate prevents splitting of frame material
- One piece hinge and baseplate combination
- 11mm (7/16") cup drilling depth
- Front locating tabs position hinge on face frame
- Works on door thicknesses from 13mm (1/2") to 19mm (3/4")
- Works with current GRASS machinery
- 85° angle reduction clip available
- Made in the USA

Wrap-Around 42mm Boring Pattern				
Item #	Frame Thickness	Overlay	Fixing Type	Box Qty
GTEC4742-14	1/2"	1/2"	Dowelled	250
GTEC4743-14	5/8"	1/2"	Dowelled	250



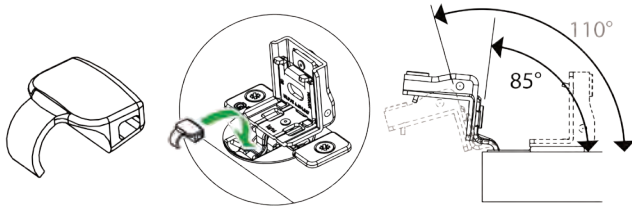
Spacers and Screws		
Item #	Description	Box Qty
G00209-42	1.5mm (1/16") Slotted Spacer for MDF 861, Clear	100



**Angle Restriction Clip**

- Reduces opening angle from 108° to 85°

Item #	Box Qty
G80125-42	100



A  
B  
C  
D  
E  
F  
G  
H  
I  
J  
K  
L  
M  
N  
O  
P  
Q  
R  
S  
T  
U  
V  
W  
X  
Y

**A GRASS TEC 872 SELF-CLOSE HINGES & SOFT-CLOSE ADAPTERS**

B  
C  
D  
E  
F  
G  
H  
I  
J  
K  
L  
M  
N  
O  
P  
Q  
R  
S  
T  
U  
V  
W  
X  
Y



**110° Opening Angle**

- 1/2" overlay achievable on profile door
- 3-dimensional hinge
- All metal construction, nickel finish
- Height adjustment in elongated screw hole
- Minimal gap between the door and frame
- Minimal protrusion into cabinet
- Hinge and plate must be ordered separately



Hinges			
Item #	Boring Pattern	Fixing Type	Box Qty
GTEC872VS8-45	45mm	Dowelled	500
GTEC872VS-45	45mm	Screw-On	500

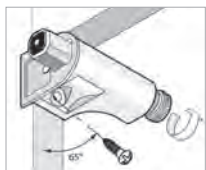
Side-Mount Baseplates		
Item #	Plate Height	Box Qty
GTEC43731	4mm	500



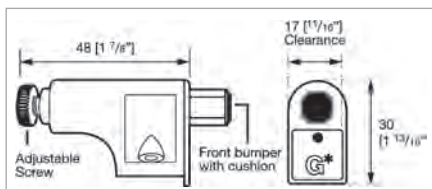
**Universal Face Frame Cabinet Soft-Close  
Grass Unisoft Adjustable Soft-Close**



- Grass Unisoft cabinet soft close device is unhandled and mounts independently of door hinge
- The unit is designed to mount with a single screw to the upper corner of the cabinet opening
- Unisoft is constructed of high grade plastic and has a sleek brushed nickel finish housing
- The Unisoft soft-closing speed/tension can be easily adjusted by the hand turn of a rear screw
- Unisoft can be used on a wide variety of door sizes weights, including face frame applications
- Scratch protector and front bumper with cushion for a quiet close

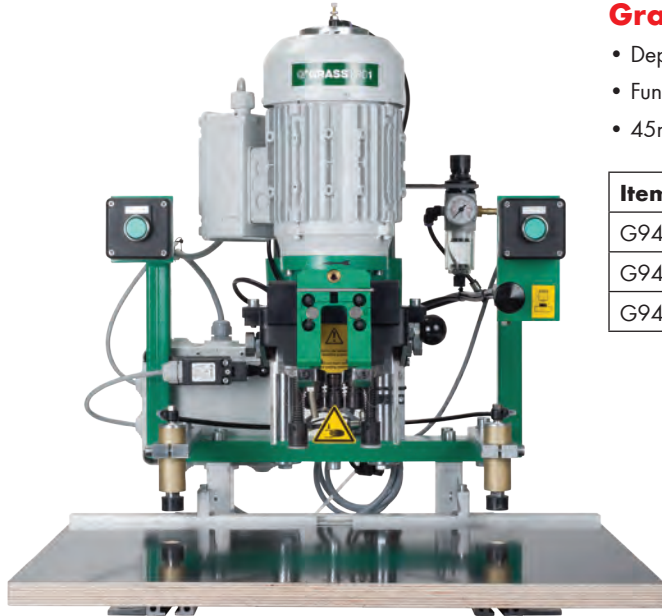


Item #	Box Qty
GUNISOFT-P	1 each per poly bag
G18971-40	25 per box
GUNISOFT-B	250 per box



Accessory Items	
Item #	Description
AN608520	Vix Bit, 1/4" Hex Shank, #6 Screw
AN630520	Replacement Bit for above

**GRASS HINGE MACHINES & ACCESSORIES**

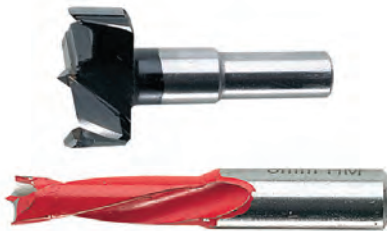


**Grass PRO1 for Hinge Drilling**



- Depth stop can be adjusted to material thickness
- Functional design with fast and efficient operation
- 45mm boring pattern

Item #	Description
G94559-01	220V Single Phase Pneumatic Machine
G94560-01	220V Three Phase Pneumatic Machine
G94561-01	110V Single Phase Pneumatic Machine

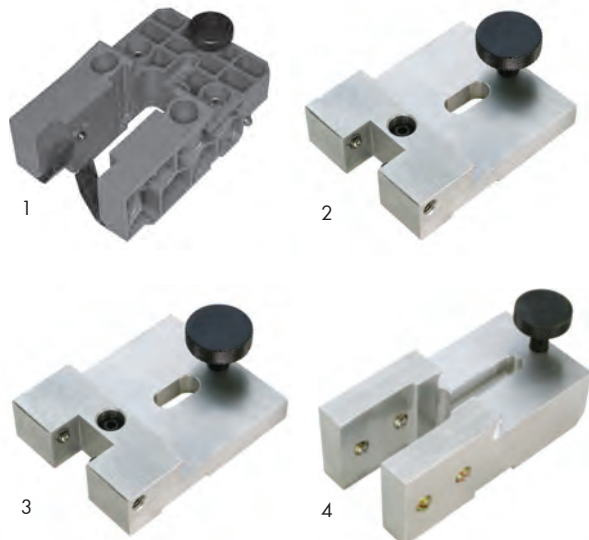


**American Bit Set for Hinge Drilling**



- Set consists of (1) 35mm bit, RH and (2) 8mm bits, LH

Item #
G00213-01



Insertion Dies		
Item #	Description	
1	G80039 Universal Die for Tiomos 110°/120°/160° Hinges	
2	G92617 TEC Die for All Cup Styles	
3	G04216 Insertion Die for Nexis 110°/125° Hinges	
4	G04218 Insertion Die for Nexis 170° Hinges	

A  
B  
C  
D  
E  
F  
G  
H  
I  
J  
K  
L  
M  
N  
O  
P  
Q  
R  
S  
T  
U  
V  
W  
X  
Y

**A GRASS HINGE ACCESSORIES & ASSEMBLY HARDWARE**

B  
C  
D  
E  
F  
G  
H  
I  
J  
K  
L  
M  
N  
O  
P  
Q  
R  
S  
T  
U  
V  
W  
X  
Y



**Cover Caps**

- Hole covers for 35mm cup drillings

White Item #	Box Qty
G22227-42	100



**Euro Screws, Nickel-Plated**

Item #	Description	Box Qty
G81015	13mm Euro Screw (1/2")	500
A G83000	18mm Euro Screw (1 1/16")	500
G83001-43	7.5mm Euro Screw (5/16")	500
B G499.360.61.1015	Euro Screw 11mm (7/16") Pozi	500



**Wood Screws, Nickel-Plated**

Item #	Description	Box Qty
G81014-43	#6 x 1/2" FHP Wood Screw	500
G81001-43	#6 x 5/8" FHP Wood Screw	500
G6X34FHNI	#6 x 3/4" FHP Wood Screw	500
G81007-43	#10 x 3/4" Pan Head, Nickel	500



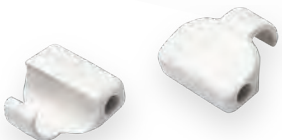
**Plastic Dowels**

Item #	Description	Box Qty
G00102-43	8mm Dowel for TEC Hinges	500
GTEC2445-43	Spax screw for TEC Hinge Dowel	500
GF072135773247	8mm Dowel for Tiomos Hinges	500
G04885-43	8mm Dowel for VZ Hinge Cup	1,000
G05404-43	10mm Dowel for Baseplates	500



**Pozidrive Screwdriver**

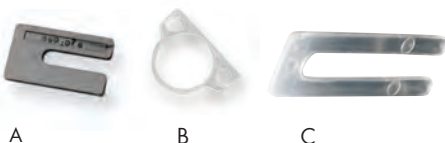
Item #	Description	Box Qty
GPD	#2 Pozidrive Screwdriver for Hinges	1



**Angle Restriction Clip for TEC Hinges**

- Reduces opening angle from 108° to 85°

Item #	Box Qty
G80125-42	100



**Spacers**

Item #	Description	Box Qty
A G0047-42	860-076 1.5mm (1/16") Thick, Slotted	100
B G00284	1.5mm (1/16") Thick, Hinge Cup Spacer	100
C G00209-42	1.5mm (1/16") Thick, Slotted for MDF, Clear	100

**HETTICH SENSYS EURO HINGES W/SOFT-CLOSE**



**Sensys 110° Hinges w/Soft-Close  
8645i Series**



- For door thickness 15 - 24 mm, Cup depth 12.8 mm
- Integrated overlay adjustment +2 mm / -2 mm
- Integrated depth adjustment +3 mm / -2 mm
- Height adjustment at mounting plate
- Quality classification under EN 15570, Level 3

Item #	Opening	Overlay	Fixing	Close Type	Box Qty
HET9071223	110°	Full	Screw-On	Soft-close	200
HET9071226	110°	Full	Dowel	Soft-close	200
HET9073626	110°	Full	Fix Fast	Soft-close	50
HET9073689	110°	Full	Exp Dowel	Soft-close	50
HET9073618	110°	Half	Screw-On	Soft-close	50
HET9073621	110°	Half	Dowel	Soft-close	50
HET9073627	110°	Half	Fix Fast	Soft-close	50
HET9073690	110°	Half	Exp Dowel	Soft-close	50
HET9073619	110°	Inset	Screw-On	Soft-close	50
HET9073622	110°	Inset	Dowel	Soft-close	50
HET9073628	110°	Inset	Fix Fast	Soft-close	50
HET9073691	110°	Inset	Exp Dowel	Soft-close	50



**Sensys 165° Hinges w/Soft-Close  
8657i Series**



- Sensys wide angle hinge, with zero protrusion
- For door thickness 15 - 32 mm, Cup depth 11.6 mm
- Integrated overlay adjustment +2 mm / -2 mm
- Integrated depth adjustment +3 mm / -2 mm
- Height adjustment at mounting plate
- Quality classification under EN 15570, Level 3

Item #	Opening	Overlay	Fixing	Close Type	Box Qty
HET9099560	165°	Full	Screw-On	Soft-close	50
HET9099561	165°	Full	Dowel	Soft-close	50
HET9099563	165°	Full	Fix Fast	Soft-close	50
HET9099566	165°	Full	Exp Dowel	Soft-close	50
HET9099570	165°	Half	Screw-On	Soft-close	50
HET9099571	165°	Half	Dowel	Soft-close	50
HET9099573	165°	Half	Fix Fast	Soft-close	50
HET9099576	165°	Half	Exp Dowel	Soft-close	50

A  
B  
C  
D  
E  
F  
G  
H  
I  
J  
K  
L  
M  
N  
O  
P  
Q  
R  
S  
T  
U  
V  
W  
X  
Y

**A HETTICH SENSYS EURO HINGES W/SOFT-CLOSE**

**Sensys 95° Hinges w/Soft-Close  
8631i Series**

- For door thickness 15 - 32 mm
- Cup depth 12.8 mm
- Integrated overlay adjustment +2 mm / -2 mm
- Integrated depth adjustment +3 mm / -2 mm
- Height adjustment at mounting plate
- Quality classification under EN 15570, Level



Item #	Opening	Overlay	Fixing	Close Type	Box Qty
HET9091430	95°	Full	Screw-On	Soft-close	50
HET9091431	95°	Full	Dowel	Soft-close	50
HET9091436	95°	Full	Exp Dowel	Soft-close	50
HET9091440	95°	Half	Screw-On	Soft-close	50
HET9091441	95°	Half	Dowel	Soft-close	50
HET9091446	95°	Half	Exp Dowel	Soft-close	50
HET9091450	95°	Inset	Screw-On	Soft-close	50
HET9091451	95°	Inset	Dowel	Soft-close	50
HET9091456	95°	Inset	Exp Dowel	Soft-close	50


**Sensys 110° Hinges w/Soft-Close (Thin Door)  
8646i Series**

- SENSYS thin door hinge, door thickness from 10 mm
- For door thickness 10 - 19 mm
- Cup depth 7.8 mm
- Integrated overlay adjustment +2 mm / -2 mm
- Integrated depth adjustment +3 mm / -2 mm
- Height adjustment at mounting plate
- Quality classification under EN 15570, Level 3



Item #	Opening	Overlay	Fixing	Close Type	Box Qty
HET9094300	110°	Full	Screw-On	Soft-close	50
HET9094301	110°	Full	Dowel	Soft-close	50
HET9094306	110°	Full	Exp Dowel	Soft-close	50
HET9094310	110°	Half	Screw-On	Soft-close	50
HET9094311	110°	Half	Dowel	Soft-close	50
HET9094316	110°	Half	Exp Dowel	Soft-close	50
HET9094320	110°	Inset	Screw-On	Soft-close	50
HET9094321	110°	Inset	Dowel	Soft-close	50
HET9094326	110°	Inset	Exp Dowel	Soft-close	50



**HETTICH SENSYS EURO HINGES W /SOFT-CLOSE**



**Sensys 95° Hinges w/Soft-Close**  
**For 45° Face Angle, 8639i W45 Series**



- For door thickness 15 - 28 mm
- Cup depth 12.8 mm
- Integrated overlay adjustment +2 mm / -2 mm
- Integrated depth adjustment +3 mm / -2 mm
- Height adjustment at mounting plate
- Quality classification under EN 15570, Level 3

Item #	Opening	Overlay	Fixing	Close Type	Box Qty
HET9088024	95°	Overlay Base B 9mm	Screw-On	Soft-close	50
HET9088042	95°	Overlay Base B 9mm	Dowel	Soft-close	50
HET9088078	95°	Overlay Base B 9mm	Fix Fast	Soft-close	50
HET9088025	95°	Inset Base B -2mm	Screw-On	Soft-close	50
HET9088043	95°	Inset Base B -2mm	Dowel	Soft-close	50
HET9088079	95°	Inset Base B -2mm	Fix Fast	Soft-close	50
HET9088026	95°	Inset Base B -25mm	Screw-On	Soft-close	50



**Sensys 95° Hinges w/Soft-Close**  
**For 90° Face Angle, 8639i W90 Series**



- For door thickness 15 - 28 mm
- Cup depth 12.8 mm
- Integrated adjustment of door offset +1 mm / -2 mm
- Integrated reveal adjustment +3 mm / -2 mm
- Height adjustment at mounting plate
- Quality classification under EN 15570, Level 3

Item #	Opening	Overlay	Fixing	Close Type	Box Qty
HET9088027	95°	Inset	Screw-On	Soft-close	50
HET9088045	95°	Inset	Dowel	Soft-close	50
HET9088081	95°	Inset	Fix Fast	Soft-close	50
HET9088093	95°	Inset	Exp Dowel	Soft-close	50

**A HETTICH SENSYS SELF-CLOSE EURO HINGES**

B

C

D

E

F

G

H

I

J

K

L

M

N

O

P

Q

R

S

T

U

V

W

X

Y


**Sensys 110° Self-Close Hinges  
8645 Series**

- For door thickness 15 - 24 mm
- Cup depth 12.8 mm
- Integrated overlay adjustment +2 mm / -2 mm
- Integrated depth adjustment +3 mm / -2 mm
- Height adjustment at mounting plate
- Quality classification under EN 15570, Level 3



Item #	Opening	Overlay	Fixing	Close Type	Box Qty
HET9073647	110°	Full	Screw-On	Self-close	50
HET9073650	110°	Full	Dowel	Self-close	50
HET9073653	110°	Full	Fix Fast	Self-close	50
HET9073648	110°	Half	Screw-On	Self-close	50
HET9073651	110°	Half	Dowel	Self-close	50
HET9073654	110°	Half	Fix Fast	Self-close	50
HET9073649	110°	Inset	Screw-On	Self-close	50
HET9073652	110°	Inset	Dowel	Self-close	50
HET9073655	110°	Inset	Fix Fast	Self-close	50


**Sensys 165° Self-Close Hinges  
8657 Series**

- Sensys wide angle hinge, with zero protrusion
- For door thickness 15 - 32 mm
- Cup depth 11.6 mm
- Integrated overlay adjustment +2 mm / -2 mm
- Integrated depth adjustment +3 mm / -2 mm
- Height adjustment at mounting plate
- Quality classification under EN 15570, Level 3



Item #	Opening	Overlay	Fixing	Close Type	Box Qty
HET9099770	165°	Full	Screw-On	Self-close	50
HET9099771	165°	Full	Dowel	Self-close	50
HET9099773	165°	Full	Fix Fast	Self-close	50
HET9099776	165°	Full	Exp Dowel	Self-close	50
HET9099780	165°	Half	Screw-On	Self-close	50
HET9099781	165°	Half	Dowel	Self-close	50
HET9099783	165°	Half	Fix Fast	Self-close	50
HET9099786	165°	Half	Exp Dowel	Self-close	50

**HETTICH SENSYS SELF-CLOSE EURO HINGES**

A  
B  
C  
D  
E  
F  
G  
H  
I  
J  
K  
L  
M  
N  
O  
P  
Q  
R  
S  
T  
U  
V  
W  
X  
Y



**Sensys 95° Self-Close Hinges  
8631 Series**



- For door thickness 15 - 32 mm
- Cup depth 12.8 mm
- Integrated overlay adjustment +2 mm / -2 mm
- Integrated depth adjustment +3 mm / -2 mm
- Height adjustment at mounting plate
- Quality classification under EN 15570, Level 2

Item #	Opening	Overlay	Fixing	Close Type	Box Qty
HET9091520	95°	Full	Screw-On	Self-close	50
HET9091521	95°	Full	Dowel	Self-close	50
HET9091530	95°	Half	Screw-On	Self-close	50
HET9091531	95°	Half	Dowel	Self-close	50
HET9091540	95°	Inset	Screw-On	Self-close	50
HET9091541	95°	Inset	Dowel	Self-close	50



**Sensys 110° Self-Close Hinges (Thin Door)  
8646 Series**



- Sensys thin door hinge, door thickness from 10 mm
- For door thickness 10 - 19 mm
- Cup depth 7.8 mm
- Integrated overlay adjustment +2 mm / -2 mm
- Integrated depth adjustment +3 mm / -2 mm
- Height adjustment at mounting plate
- Quality classification under EN 15570, Level 3

Item #	Opening	Overlay	Fixing	Close Type	Box Qty
HET9094390	110°	Full	Screw-On	Self-close	50
HET9094391	110°	Full	Dowel	Self-close	50
HET9094396	110°	Full	Exp Dowel	Self-close	50
HET9094400	110°	Half	Screw-On	Self-close	50
HET9094401	110°	Half	Dowel	Self-close	50
HET9094406	110°	Half	Exp Dowel	Self-close	50
HET9094410	110°	Inset	Screw-On	Self-close	50
HET9094411	110°	Inset	Dowel	Self-close	50
HET9094416	110°	Inset	Exp Dowel	Self-close	50

**A HETTICH INTERMAT SELF-CLOSE EURO HINGES**

**Intermat 110° Self-Close Hinges  
9943 Series**


- For door thickness 15 - 25 mm
- Cup diameter 35 mm
- Cup depth 11.6 mm
- Integrated overlay adjustment + 2 mm / - 2 mm
- Integrated depth adjustment + 2.5 mm / - 1.5 mm
- Height adjustment at mounting plate
- Quality classification under EN 15570, Level 3

Item #	Opening	Overlay	Fixing	Close Type	Box Qty
HET1073711	110°	Full	Screw-On	Self-close	200
HET1029522	110°	Full	Dowel	Self-close	200
HET9043643	110°	Full	Exp Dowel	Self-close	200
HET9046806	110°	Half	Screw-On	Self-close	200
HET1030921	110°	Half	Dowel	Self-close	200
HET9046807	110°	Inset	Screw-On	Self-close	200
HET1030925	110°	Inset	Dowel	Self-close	200
HET9043645	110°	Inset	Exp Dowel	Self-close	200


**Intermat 95° Self-Close Hinges  
9936 Series**


- For door thickness 14 - 32 mm
- Cup diameter 35 mm
- Cup depth 11.1 mm
- Integrated overlay adjustment + 2 mm / - 2 mm
- Integrated depth adjustment + 2.5 mm / - 1.5 mm
- Height adjustment at mounting plate
- Quality classification under EN 15570, Level 2

Item #	Opening	Overlay	Fixing	Close Type	Box Qty
HET9015624	95°	Full	Screw-On	Self-close	200
HET1058445	95°	Full	Dowel	Self-close	200
HET9043632	95°	Full	Exp Dowel	Self-close	200
HET9046810	95°	Half	Screw-On	Self-close	200
HET1058446	95°	Half	Dowel	Self-close	200
HET9043633	95°	Half	Exp Dowel	Self-close	200
HET9046811	95°	Inset	Screw-On	Self-close	200
HET1058447	95°	Inset	Dowel	Self-close	200
HET9043634	95°	Inset	Exp Dowel	Self-close	200

## HETTICH INTERMAT EURO HINGES



### Intermat 125° Self-Close Hinges 9944 Series

- For door thickness 15 - 28 mm / Cup diameter 35 mm / Cup depth 12.7 mm
- Integrated overlay adjustment + 2 mm / - 2 mm
- Integrated depth adjustment + 2.5 mm / - 1.5 mm
- Height adjustment at mounting plate



Item #	Opening	Overlay	Fixing	Close Type	Box Qty
HET1070715	125°	Full	Screw-On	Self-close	200
HET1058549	125°	Full	Dowel	Self-close	200
HET9044970	125°	Full	Exp Dowel	Self-close	200
HET9046809	125°	Half	Screw-On	Self-close	200
HET1058550	125°	Half	Dowel	Self-close	200
HET9044971	125°	Half	Exp Dowel	Self-close	200



### Intermat 95° Self-Close Hinges

#### For 90° Face Angle, 9936 W90 Series

- For door thickness 14 - 28 mm / Cup diameter 35 mm / Cup depth 11.1 mm
- Integrated adjustment of door offset + 2 mm / - 2 mm
- Integrated reveal adjustment + 2 mm / - 2 mm
- Height adjustment at mounting plate



Item #	Opening	Overlay	Fixing	Close Type	Box Qty
HET9043751	95°	Overlay Base B 22mm	Screw-On	Self-close	50
HET9043753	95°	Overlay Base B 22mm	Dowel	Self-close	50
HET9043757	95°	Overlay Base B 22mm	Exp Dowel	Self-close	50
HET9043750	95°	Inset Base B 5mm	Screw-On	Self-close	50
HET9043497	95°	Inset Base B 5mm	Dowel	Self-close	50
HET9043682	95°	Inset Base B 5mm	Exp Dowel	Self-close	50



### Intermat 50°/65° Hinges (Spring Loaded)

#### 9930 Series

- For door thickness 15 - 21 mm / Cup depth 12.8 mm
- Diagonal adjustment +9.5 mm / -9.5 mm
- Height adjustment at mounting plate



Item #	Opening	Overlay	Fixing	Close Type	Box Qty
HET9090115	50°/65°	Overlay	Screw-On	Spring Loaded	50
HET9090116	50°/65°	Overlay	Dowel	Spring Loaded	50
HET9090119	50°/65°	Overlay	Fix Fast	Spring Loaded	50
HET9090108	50°/65°	Overlay	Exp Dowel	Spring Loaded	50



**A HETTICH SENSYS & INTERMAT MOUNTING PLATES**

**B**  
**C**  
**D**  
**E**  
**F**  
**G**  
**H**  
**I**  
**J**  
**K**  
**L**  
**M**  
**N**  
**O**  
**P**  
**Q**  
**R**  
**S**  
**T**  
**U**  
**V**  
**W**  
**X**  
**Y**



Cross Mounting Plates, Screw-On				
Item #	Height	Fixing Type	Oblong Hole Ht Adj	Box Qty
HET9071575	0mm	For Wood Screws	+/-3mm	200
HET9071576	1.5mm	For Wood Screws	+/-3mm	200
HET9071577	3mm	For Wood Screws	+/-3mm	200
HET9071578	5mm	For Wood Screws	+/-3mm	200



Cross Mounting Plates w/5mm Expanding Dowels & Special Screws				
Item #	Height	Fixing Type	Oblong Hole Ht Adj	Box Qty
HET9071595	0mm	Premounted Screws	+/-2mm	200
HET9071596	1.5mm	Premounted Screws	+/-2mm	200
HET9071597	3mm	Premounted Screws	+/-2mm	200
HET9071598	5mm	Premounted Screws	+/-2mm	200



Cross Mounting Plates w/Premounted Euro Screws				
Item #	Height	Fixing Type	Oblong Hole Ht Adj	Box Qty
HET9071625	0mm	Premounted Euro Screws	+/-3mm	200
HET9071626	1.5mm	Premounted Euro Screws	+/-3mm	200
HET9071627	3mm	Premounted Euro Screws	+/-3mm	200
HET9071628	5mm	Premounted Euro Screws	+/-3mm	200



Patented "Hettich Direkt" Cross Mounting Plates w/Pin & Special Screws				
Item #	Height	Fixing Type	Oblong Hole Ht Adj	Box Qty
HET9071585	0mm	Premounted Screws	+/-2mm	200
HET9071586	1.5mm	Premounted Screws	+/-2mm	200
HET9071587	3mm	Premounted Screws	+/-2mm	200
HET9071588	5mm	Premounted Screws	+/-2mm	200



Face Frame Mounting Plates, Screw-On (Sensys Hinges Only)				
Item #	Height	Fixing Type	Oblong Hole Ht Adj	Box Qty
HET9084930	0mm	For Wood Screws	+/-2mm	200
HET9084931	4.5mm	For Wood Screws	+/-2mm	200



Inset Face Frame Mounting Plate, System 8099 OBLONG HOLE ADJUSTMENT (Sensys Hinges Only)				
Item #	Height	Fixing Type	Oblong Hole Ht Adj	Box Qty
HET1135793	3mm	For Wood Screws	+/-1.6mm	100

**HETTICH SENSYS & INTERMAT MOUNTING PLATES**



Cross Mounting Plates w/5mm Expanding Dowels & Special Screws				
Item #	Height	Fixing Type	Direct Height Adj	Box Qty
HET9071655	0mm	Premounted Screws	+/-2mm	200
HET9071656	1.5mm	Premounted Screws	+/-2mm	200
HET9071657	3mm	Premounted Screws	+/-2mm	200
HET9071658	5mm	Premounted Screws	+/-2mm	200



Cross Mounting Plate w/Premounted Chipboard Screws - For Holes w/Max. ø 2.5 mm				
Item #	Height	Fixing Type	Direct Height Adj	Box Qty
HET9071670	0mm	Premounted Screws	+/-2mm	200
HET9071671	1.5mm	Premounted Screws	+/-2mm	200
HET9071672	3mm	Premounted Screws	+/-2mm	200
HET9071673	5mm	Premounted Screws	+/-2mm	200



Cross Mounting Plate w/Premounted Euro Screws - For ø 5 x 12 mm Holes				
Item #	Height	Fixing Type	Direct Height Adj	Box Qty
HET9071665	0mm	Premounted Euro Screws	+/-2mm	200
HET9071666	1.5mm	Premounted Euro Screws	+/-2mm	200
HET9071667	3mm	Premounted Euro Screws	+/-2mm	200
HET9071668	5mm	Premounted Euro Screws	+/-2mm	200



Cross mounting plate with premounted Euro screws - For ø 5 x 8 mm Holes				
Item #	Height	Fixing Type	Direct Height Adj	Box Qty
HET9071645	0mm	Premounted Euro Screws	+/-2mm	200
HET9071646	1.5mm	Premounted Euro Screws	+/-2mm	200
HET9071647	3mm	Premounted Euro Screws	+/-2mm	200
HET9071648	5mm	Premounted Euro Screws	+/-2mm	200



Patented "Hettich Direkt" Cross Mounting Plate w/Pin & Special Screws				
Item #	Height	Fixing Type	Direct Height Adj	Box Qty
HET9071650	0mm	Premounted Screws	+/-2mm	200
HET9071651	1.5mm	Premounted Screws	+/-2mm	200
HET9071652	3mm	Premounted Screws	+/-2mm	200
HET9071653	5mm	Premounted Screws	+/-2mm	200



Face frame Mounting Plate, Screw-On				
Item #	Height	Fixing Type	Direct Height Adj	Box Qty
HET9090882	0mm	For Wood Screws	+/-2mm	50
HET9090884	4.5mm	For Wood Screws	+/-2mm	50



Inset Face Frame Mounting Plate, System 8099 CAM HEIGHT ADJUSTMENT				
Item #	Height	Fixing Type	Direct Height Adj	Box Qty
HET9179885	3mm	For Wood Screws	+/-1.6mm	100

A  
B  
C  
D  
E  
F  
G  
H  
I  
J  
K  
L  
M  
N  
O  
P  
Q  
R  
S  
T  
U  
V  
W  
X  
Y

**A HETTICH SENSYS ACCESSORIES**

B  
C  
D  
E  
F  
G  
H  
I  
J  
K  
L  
M  
N  
O  
P  
Q  
R  
S  
T  
U  
V  
W  
X  
Y



**Cover Cap for Sensys Hinge Arm**

- Can be used with all SENSYS hinges apart from Sensys wide angle hinge



Item #	Description	Box Qty
HET9088249	Cover Cap For Sensys Hinge Arm	50



**Cover Cap for Sensys Hinge Cup**

- For all SENSYS hinges except ones with Fix and premounted wood screws



Item #	Description	Box Qty
HET9088252	Cover Cap For Sensys Hinge Cup	50



**Soft Opening for Sensys Wide Angle Hinge**

- Can be used with Sensys wide angle hinges with integrated soft-close
- Cannot be combined with opening angle limiter



Item #	Description	Box Qty
HET9100037	Soft Opening For Sensys Wide Angle Hinge, Full Overlay	50
HET9100116	Soft Opening For Sensys Wide Angle Hinge, Half Overlay	50



**Opening Angle Limiter for Sensys 110° Hinge**

- Limitation from 110° to 85°



Item #	Description	Box Qty
HET9072540	Angle Limiter to 85°, For Sensys 110° Hinges	50



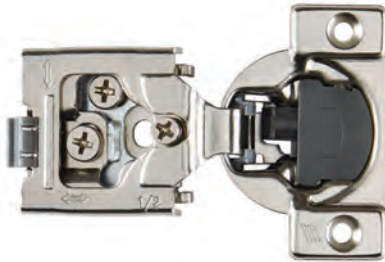
**Opening Angle Limiter for Sensys Wide Angle Hinges**



Item #	Description	Box Qty
HET9090756	Angle Limiter For Wide Angle Hinges from 165° to 105° or 120°	50
HET9090864	Angle Limiter For Wide Angle Hinges from 165° to 90° or 135°	50



**HETTICH OPTIMAT FACE FRAME HINGES W/SOFT-CLOSE**



**Optimat 105° Hinges w/Soft-Close  
Clip-On Series (2-Piece)**

- 6-way-adjustable face-frame hinge
- For door thickness up to 3/4" (19 mm)
- Cup diameter 1-3/8" (35 mm)
- Cup depth (minimum drilling depth) 7/16" (11 mm), Cup distance 1/8" (3 mm)
- Side adj: (under 1" overlay) +/- 1.3 mm cam & (over 1" overlay) +/- 1.5 mm cam
- Depth adjustment + 2.6 mm cam
- Height adjustment +/- 1.4 mm cam
- Dampening activation: 35°
- Meets and exceeds the minimum requirements of ANSI/BHMA A156.9 standard

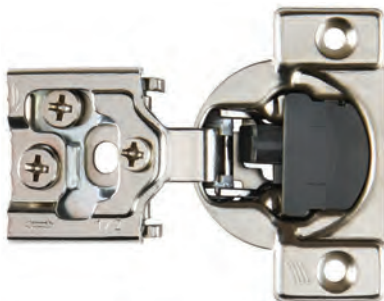


Item #	Opening	Overlay	Fixing	Close Type	Box Qty
HET9285007	105°	1/2"	Dowel	Soft-close	200
HET9285006	105°	3/4"	Dowel	Soft-close	200
HET9285008	105°	1-1/4"	Dowel	Soft-close	200



**Optimat Angle Reduction Clip To 85°**

Item #	Description	Box Qty
HET9299081	85° Angle Reduction Clip for Optimat Clip-On Hinges Only	200



**Optimat 105° Hinges w/Soft-Close  
3D Series (1-Piece)**

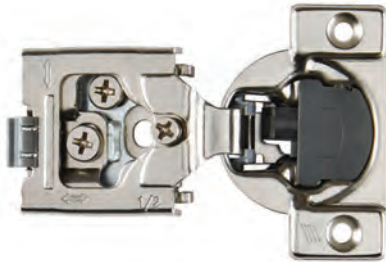
- 6-way-adjustable face-frame hinge
- For door thickness up to 3/4" (19 mm)
- Cup diameter 1-3/8" (35 mm)
- Cup depth (minimum drilling depth) 7/16" (11 mm), Cup distance 1/8" (3 mm)
- Side adj: (under 1" overlay) +/- 1.3 mm cam & (over 1" overlay) +/- 1.5 mm cam
- Depth adjustment + 2.6 mm cam
- Height adjustment +/- 1.4 mm cam
- Meets and exceeds the minimum requirements of ANSI/BHMA A156.9 standard



Item #	Opening	Overlay	Fixing	Close Type	Box Qty
HET9285000	105°	1/2"	Dowel	Soft-close	200
HET9284998	105°	3/4"	Dowel	Soft-close	200
HET9285010	105°	1"	Dowel	Soft-close	200
HET9285004	105°	1-1/4"	Dowel	Soft-close	200
HET9285002	105°	1-5/16"	Dowel	Soft-close	200

**A HETTICH OPTIMAT SELF-CLOSE FACE FRAME HINGES**

B  
C  
D  
E  
F  
G  
H  
I  
J  
K  
L  
M  
N  
O  
P  
Q  
R  
S  
T  
U  
V  
W  
X  
Y



**Optimat 105° Self-Close Hinges  
Clip-On Series (2-Piece)**

- 6-way-adjustable face-frame hinge
- For door thickness up to 3/4" (19 mm)
- Cup diameter 1-3/8" (35 mm)
- Cup depth (minimum drilling depth) 7/16" (11 mm)
- Cup distance 1/8" (3 mm)
- Side adj: (under 1" overlay) +/- 1.3 mm cam & (over 1" overlay) +/- 1.5 mm cam
- Depth adjustment + 2.6 mm cam
- Height adjustment +/- 1.4 mm cam
- Meets and exceeds the minimum requirements of ANSI/BHMA A156.9 standard

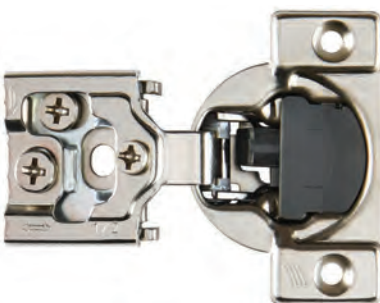


Item #	Opening	Overlay	Fixing	Close Type	Box Qty
HET9295583	105°	1/2"	Dowel	Self-close	200
HET9295582	105°	3/4"	Dowel	Self-close	200
HET9295584	105°	1-1/4"	Dowel	Self-close	200



**OPTIMAT Angle Reduction Clip To 85°**

Item #	Description	Box Qty
HET9299081	85° Angle Reduction Clip for OPTIMAT Clip-On Hinges Only	200



**Optimat 105° Self-Close Hinges  
3D Series (1-Piece)**

- 6-way-adjustable face-frame hinge
- For door thickness up to 3/4" (19 mm)
- Cup diameter 1-3/8" (35 mm)
- Cup depth (minimum drilling depth) 7/16" (11 mm)
- Cup distance 1/8" (3 mm)
- Side adj: (under 1" overlay) +/- 1.3 mm cam & (over 1" overlay) +/- 1.5 mm cam
- Depth adjustment + 2.6 mm cam
- Height adjustment +/- 1.4 mm cam
- Meets and exceeds the minimum requirements of ANSI/BHMA A156.9 standard



Item #	Opening	Overlay	Fixing	Close Type	Box Qty
HET9295568	105°	1/2"	Dowel	Self-close	200
HET9295567	105°	3/4"	Dowel	Self-close	200
HET9295585	105°	1"	Dowel	Self-close	200
HET9295570	105°	1-1/4"	Dowel	Self-close	200
HET9295569	105°	1-5/16"	Dowel	Self-close	200

**SALICE SILENTIA SOFT-CLOSE 100 SERIES HINGES**



**105° Silentia Soft-Close Hinges  
100 Series**

**SALICE**

- 12mm deep cup
- Minimum 15mm/maximum 20mm door thickness
- Side-to-side adjustment from -1.5mm to +4.5mm
- Height adjustment +/-2mm
- Depth adjustment with DOMI snap-on mounting plates from -0.5mm to +2.8mm
- Depth adjustment with 200 Series mounting plates +2.8mm

Item #	Opening	Overlay	Fixing	Close Type	Box Qty
SALC1P6AE9	105°	Full	Screw-On	Soft-close	300
SALC1R6AE9	105°	Full	Dowel	Soft-close	300
SALC176AE9	105°	Full	Rapido	Soft-close	300
SALC1J6AE9	105°	Full	Logica	Soft-close	300
SALC1P6DE9	105°	1/2"	Screw-On	Soft-close	300
SALC1R6DE9	105°	1/2"	Dowel	Soft-close	300
SALC176DE9	105°	1/2"	Rapido	Soft-close	300
SALC1J6DE9	105°	1/2"	Logica	Soft-close	300
SALC1P6GE9	105°	Half	Screw-On	Soft-close	300
SALC1R6GE9	105°	Half	Dowel	Soft-close	300
SALC176GE9	105°	Half	Rapido	Soft-close	300
SALC1J6GE9	105°	Half	Logica	Soft-close	300
SALC1P6PE9	105°	Inset	Screw-On	Soft-close	300
SALC1R6PE9	105°	Inset	Dowel	Soft-close	300
SALC176PE9	105°	Inset	Rapido	Soft-close	300
SALC1J6PE9	105°	Inset	Logica	Soft-close	300



**105° Silentia Soft-Close Inset Blind  
Corner Hinges  
100 Series**

**SALICE**

- Inset blind corner hinges for cabinet sides with 37mm x 32mm standard drilling
- 12mm deep cup
- Side-to-side adjustment from -1.5mm to +4.5mm
- Height adjustment +/-2mm
- Depth adjustment with DOMI snap-on mounting plates from -0.5mm to +2.8mm
- Depth adjustment with 200 Series mounting plates +2.8mm

Item #	Opening	Hinge Type	Fixing	Close Type	Box Qty
SALC1P6NE9AC	105°	Inset	Screw-On	Soft-close	150
SALC1R6NE9AC	105°	Inset	Dowel	Soft-close	150
SALC176NE9AC	105°	Inset	Rapido	Soft-close	150

A  
B  
C  
D  
E  
F  
G  
H  
I  
J  
K  
L  
M  
N  
O  
P  
Q  
R  
S  
T  
U  
V  
W  
X  
Y

**A SALICE SILENTIA SOFT-CLOSE 100 SERIES HINGES**

B  
C  
D  
E  
F  
G  
H  
I  
J  
K  
L  
M  
N  
O  
P  
Q  
R  
S  
T  
U  
V  
W  
X  
Y



**105° Silentia Soft-Close Short Arm Inset Blind Corner Hinges**  
**100 Series**

**SALICE**

- Inset blind corner hinges for smaller spaces with 15mm x 32mm drilling
- 12mm deep cup
- Use only with B2S baseplates

Item #	Opening	Hinge Type	Fixing	Close Type	Box Qty
SALC1R6NE9	105°	Inset	Dowel	Soft-close	150



**105° Silentia Soft-Close Angled Hinges**  
**100 Series**

**SALICE**

- For doors with positive angled assembly
- 12mm deep cup
- Side-to-side adjustment from -1.5mm to +4.5mm
- Height adjustment +/-2mm
- Depth adjustment with DOMI snap-on mounting plates from -0.5mm to +2.8mm
- Depth adjustment with 200 Series mounting plates +2.8mm



1

	Item #	Opening	Degree	Fixing	Close Type	Box Qty
1	SALC1R6EE9	105°	+30°	Dowel	Soft-close	150
2	SALC1P6ME9	105°	+45°	Screw-On	Soft-close	150
	SALC1R6ME9	105°	+45°	Dowel	Soft-close	150
3	SALC176ME9	105°	+45°	Rapido	Soft-close	150
	SALC1P6ME9AC	105°	+45° Twin Application	Screw-On	Soft-close	150
	SALC1R6ME9AC	105°	+45° Twin Application	Dowel	Soft-close	150
	SALC176ME9AC	105°	+45° Twin Application	Rapido	Soft-close	150
	SALC1J6ME9AC	105°	+45° Twin Application	Logica	Soft-close	150



2



3

**SALICE SILENTIA SOFT-CLOSE 200 SERIES HINGES**



**94° Silentia Soft-Close Thick Door Hinges  
200 Series**

**SALICE**

- 15.5mm deep cup
- Minimum 18mm/maximum 35mm door thickness
- Side-to-side adjustment from -1.5mm to +4.5mm
- Height adjustment +/-2mm
- Depth adjustment with DOMI snap-on mounting plates from -0.5mm to +2.8mm
- Depth adjustment with 200 Series mounting plates +2.8mm

Item #	Opening	Overlay	Fixing	Close Type	Box Qty
SALC2PBAE9	94°	Full	Screw-On	Soft-close	300
SALC2RBAE9	94°	Full	Dowel	Soft-close	300
SALC27BAE9	94°	Full	Rapido	Soft-close	300
SALC2JBAE9	94°	Full	Logica	Soft-close	300
SALC2PBDE9	94°	1/2"	Screw-On	Soft-close	300
SALC2RBDE9	94°	1/2"	Dowel	Soft-close	300
SALC27BDE9	94°	1/2"	Rapido	Soft-close	300
SALC2JBDE9	94°	1/2"	Logica	Soft-close	300
SALC2PBGE9	94°	Half	Screw-on	Soft-close	300
SALC2RBGE9	94°	Half	Dowel	Soft-close	300
SALC27BGE9	94°	Half	Rapido	Soft-close	300
SALC2JBGE9	94°	Half	Logica	Soft-close	300
SALC2PBPE9	94°	Inset	Screw-On	Soft-close	300
SALC2RBPE9	94°	Inset	Dowel	Soft-close	300
SALC27BPE9	94°	Inset	Rapido	Soft-close	300



**94° Silentia Soft-Close +45° Angled Hinge**

**SALICE**

- For doors with positive angled assembly
- 15.5mm deep cup
- Minimum 18mm thick doors
- Side-to-side adjustment from -1.5mm to +4.5mm
- Height adjustment +/-2mm
- Depth adjustment with DOMI snap-on mounting plates from -0.5mm to +2.8mm
- Depth adjustment with 200 Series mounting plates +2.8mm

Item #	Opening	Degree	Fixing	Close Type	Box Qty
SALC2RBME9	94°	+45°	Dowel	Soft-close	150

A  
B  
C  
D  
E  
F  
G  
H  
I  
J  
K  
L  
M  
N  
O  
P  
Q  
R  
S  
T  
U  
V  
W  
X  
Y

**A SALICE SILENTIA SOFT-CLOSE 200 SERIES HINGES**

**155° Silentia Zero Protrusion Soft-Close Hinges  
200 Series**
**SALICE**

- 13.5mm deep cup
- Minimum 16mm/maximum 28mm door thickness
- Zero protrusion
- Side-to-side adjustment from -1.5mm to +4.5mm
- Height adjustment +/-2mm
- Depth adjustment with DOMI snap-on mounting plates from -0.5mm to +2.8mm
- Depth adjustment with 200 Series mounting plates +2.8mm

Item #	Opening	Overlay	Fixing	Close Type	Box Qty
SALC2PKAE9	155°	Full	Screw-On	Soft-close	100
SALC2RKA9	155°	Full	Dowel	Soft-close	100
SALC27KAE9	155°	Full	Rapido	Soft-close	100
SALC2JKAE9	155°	Full	Logica	Soft-close	100
SALC2PKDE9	155°	1/2"	Screw-On	Soft-close	100
SALC2RKDE9	155°	1/2"	Dowel	Soft-close	100
SALC2PKGE9	155°	Half	Screw-On	Soft-close	100
SALC2RKGE9	155°	Half	Dowel	Soft-close	100
SALC2JKGE9	155°	Half	Logica	Soft-close	100
SALC2PKPE9	155°	Inset	Screw-On	Soft-close	100
SALC2RKPE9	155°	Inset	Dowel	Soft-close	100
SALC2JKPE9	155°	Inset	Logica	Soft-close	100


**94° Silentia Soft-Close Inset Blind Corner Hinges**
**SALICE**

- Inset blind corner hinges for cabinet sides with 37mm x 32mm standard drilling
- 15.5mm deep cup
- Minimum 18mm thick doors
- Side-to-side adjustment from -1.5mm to +4.5mm
- Height adjustment +/-2mm
- Depth adjustment with DOMI snap-on mounting plates from -0.5mm to +2.8mm
- Depth adjustment with 200 Series mounting plates +2.8mm

Item #	Opening	Hinge Type	Fixing	Close Type	Box Qty
SALC2PBNE9AC	94°	Inset	Screw-On	Soft-close	150
SALC2RBNE9AC	94°	Inset	Dowel	Soft-close	150

**SALICE SILENTIA SOFT-CLOSE 700 SERIES HINGES**



**110° Silentia Soft-Close Hinges  
700 Series**

**SALICE**

- 13.5mm deep cup
- Minimum 16mm/maximum 26mm door thickness
- Side-to-side adjustment from -1.5mm to +4.5mm
- Height adjustment +/-2mm
- Depth adjustment with DOMI snap-on mounting plates from -0.5mm to +2.8mm
- Depth adjustment with 200 Series mounting plates +2.8mm

Item #	Opening	Overlay	Fixing	Close Type	Box Qty
SALC7P6AE9	110°	Full	Screw-On	Soft-close	300
SALC7R6AE9	110°	Full	Dowel	Soft-close	300
SALC776AE9	110°	Full	Rapido	Soft-close	300
SALC7J6AE9	110°	Full	Logica	Soft-close	300
SALC7P6DE9	110°	1/2"	Screw-On	Soft-close	300
SALC7R6DE9	110°	1/2"	Dowel	Soft-close	300
SALC776DE9	110°	1/2"	Rapido	Soft-close	300
SALC7J6DE9	110°	1/2"	Logica	Soft-close	300
SALC7P6GE9	110°	Half	Screw-On	Soft-close	300
SALC7R6GE9	110°	Half	Dowel	Soft-close	300
SALC776GE9	110°	Half	Rapido	Soft-close	300
SALC7J6GE9	110°	Half	Logica	Soft-close	300
SALC7P6PE9	110°	Inset	Screw-On	Soft-close	300
SALC7R6PE9	110°	Inset	Dowel	Soft-close	300
SALC776PE9	110°	Inset	Rapido	Soft-close	300
SALC7J6PE9	110°	Inset	Logica	Soft-close	300

A  
B  
C  
D  
E  
F  
G  
H  
I  
J  
K  
L  
M  
N  
O  
P  
Q  
R  
S  
T  
U  
V  
W  
X  
Y

**A SALICE SILENTIA SOFT-CLOSE 700 SERIES HINGES**

B  
C  
D  
E  
F  
G  
H  
I  
J  
K  
L  
M  
N  
O  
P  
Q  
R  
S  
T  
U  
V  
W  
X  
Y

**SALICE**

**110° Silencia Soft-Close Angled Hinges**

- 13.5mm deep cup
- Minimum 16mm thick doors
- Side-to-side adjustment from -1.5mm to +4.5mm
- Height adjustment +/-2mm
- Depth adjustment with DOMI snap-on mounting plates from -0.5mm to +2.8mm
- Depth adjustment with 200 Series mounting plates +2.8mm



	Item #	Opening	Degree	Fixing	Close Type	Box Qty
1	SALC7R6UE9	110°	+24°	Dowel	Soft-close	150
2	SALC7R6EE9	110°	+30°	Dowel	Soft-close	150
3	SALC7R6ME9	110°	+45° Corner Merge	Dowel	Soft-close	150
4	SALC7R6VE9	110°	+45° Maximum Overlay	Dowel	Soft-close	150
5	SALC7R6ME9AC	110°	+45° Twin Application	Dowel	Soft-close	150
6	SALC7P6WE9	110°	-30°	Screw-on	Soft-close	150
	SALC7R6WE9	110°	-30°	Dowel	Soft-close	150

**110° Silencia Soft-Close Blind Corner Hinges**

**SALICE**

- 13.5mm deep cup
- Minimum 16mm thick doors
- Side-to-side adjustment from -1.5mm to +4.5mm
- Height adjustment +/-2mm
- Depth adjustment with DOMI snap-on mounting plates from -0.5mm to +2.8mm
- Depth adjustment with 200 Series mounting plates +2.8mm



	Item #	Opening	Hinge Type	Fixing	Close Type	Box Qty
1	SALC7P6NE9AC	110°	Inset	Screw-on	Soft-close	150
	SALC7R6NE9AC	110°	Inset	Dowel	Soft-close	150
	SALC7J6NE9AC	110°	Inset	Logica	Soft-close	150
2	SALC7P6NE9AM	110°	Overlay	Screw-on	Soft-close	150
	SALC7R6NE9AM	110°	Overlay	Dowel	Soft-close	150



## SALICE 200 SERIES HINGES



### 110° Euro Hinges 200 Series

**SALICE**

- 11mm deep cup
- Side-to-side adjustment from -1.5mm to +4.5mm
- Height adjustment +/-2mm
- Depth adjustment with DOMI snap-on mounting plates from -0.5mm to +2.8mm
- Depth adjustment with 200 Series mounting plates +2.8mm

Item #	Opening	Overlay	Fixing	Close Type	Box Qty
SALC2P4A99	110°	Full	Screw-On	Free Swing	300
SALC2R4A99	110°	Full	Dowel	Free Swing	300
SALC2P6A99	110°	Full	Screw-On	Self-close	300
SALC2R6A99	110°	Full	Dowel	Self-close	300
SALC276A99	110°	Full	Rapido	Self-close	300
SALC2J6A99	110°	Full	Logica	Self-close	300
SALC2P4D99	110°	1/2"	Screw-On	Free Swing	300
SALC2R4D99	110°	1/2"	Dowel	Free Swing	300
SALC2P6D99	110°	1/2"	Screw-On	Self-close	300
SALC2R6D99	110°	1/2"	Dowel	Self-close	300
SALC276D99	110°	1/2"	Rapido	Self-close	300
SALC2J6D99	110°	1/2"	Logica	Self-close	300
SALC2P4G99	110°	Half	Screw-On	Free Swing	300
SALC2R4G99	110°	Half	Dowel	Free Swing	300
SALC2P6G99	110°	Half	Screw-On	Self-close	300
SALC2R6G99	110°	Half	Dowel	Self-close	300
SALC276G99	110°	Half	Rapido	Self-close	300
SALC2J6G99	110°	Half	Logica	Self-close	300
SALC2P4P99	110°	Inset	Screw-On	Free Swing	300
SALC2R4P99	110°	Inset	Dowel	Free Swing	300
SALC2P6P99	110°	Inset	Screw-On	Self-close	300
SALC2R6P99	110°	Inset	Dowel	Self-close	300
SALC276P99	110°	Inset	Rapido	Self-close	300
SALC2J6P99	110°	Inset	Logica	Self-close	300

A  
B  
C  
D  
E  
F  
G  
H  
I  
J  
K  
L  
M  
N  
O  
P  
Q  
R  
S  
T  
U  
V  
W  
X  
Y

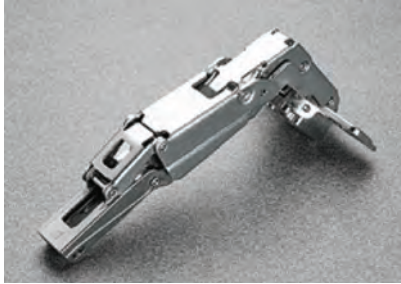
**A SALICE 200 SERIES HINGES**

**120° Euro Hinges  
200 Series**
**SALICE**

- 11 mm deep cup
- Side-to-side adjustment from -1.5mm to +4.5mm
- Height adjustment +/-2mm
- Depth adjustment with DOMI snap-on mounting plates from -0.5mm to +2.8mm
- Depth adjustment with 200 Series mounting plates +2.8mm

Item #	Opening	Overlay	Fixing	Close Type	Box Qty
SALC2P8A99	120°	Full	Screw-On	Free Swing	300
SALC2R8A99	120°	Full	Dowel	Free Swing	300
SALC2P9A99	120°	Full	Screw-On	Self-close	300
SALC2R9A99	120°	Full	Dowel	Self-close	300
SALC279A99	120°	Full	Rapido	Self-close	300
SALC2J9A99	120°	Full	Logica	Self-close	300
SALC2P8D99	120°	1/2"	Screw-On	Free Swing	300
SALC2R8D99	120°	1/2"	Dowel	Free Swing	300
SALC2P9D99	120°	1/2"	Screw-On	Self-close	300
SALC2R9D99	120°	1/2"	Dowel	Self-close	300
SALC279D99	120°	1/2"	Rapido	Self-close	300
SALC2J9D99	120°	1/2"	Logica	Self-close	300
SALC2P8G99	120°	Half	Screw-On	Free Swing	300
SALC2R8G99	120°	Half	Dowel	Free Swing	300
SALC2P9G99	120°	Half	Screw-On	Self-close	300
SALC2R9G99	120°	Half	Dowel	Self-close	300
SALC279G99	120°	Half	Rapido	Self-close	300
SALC2J9G99	120°	Half	Logica	Self-close	300

**SALICE 200 SERIES HINGES**



**165° Euro Hinges  
200 Series**

**SALICE**

- 11mm deep cup
- Side-to-side adjustment from -1.5mm to +4.5mm
- Height adjustment +/-2mm
- Depth adjustment with DOMI snap-on mounting plates from -0.5mm to +2.8mm
- Depth adjustment with 200 Series mounting plates +2.8mm

Item #	Opening	Overlay	Fixing	Close Type	Box Qty
SALC2PEA99	165°	Full	Screw-On	Free Swing	100
SALC2REA99	165°	Full	Dowel	Free Swing	100
SALC2PFA99	165°	Full	Screw-On	Self-close	100
SALC2RFA99	165°	Full	Dowel	Self-close	100
SALC27FA99	165°	Full	Rapido	Self-close	100
SALC2JFA99	165°	Full	Logica	Self-close	100
SALC2PED99	165°	1/2"	Screw-On	Free Swing	100
SALC2RED99	165°	1/2"	Dowel	Free Swing	100
SALC2PFD99	165°	1/2"	Screw-On	Self-close	100
SALC2RFD99	165°	1/2"	Dowel	Self-close	100
SALC27FD99	165°	1/2"	Rapido	Self-close	100
SALC2JFD99	165°	1/2"	Logica	Self-close	100
SALC2PEG99	165°	Half	Screw-On	Free Swing	100
SALC2REG99	165°	Half	Dowel	Free Swing	100
SALC2PFG99	165°	Half	Screw-On	Self-close	100
SALC2RFG99	165°	Half	Dowel	Self-close	100
SALC27FG99	165°	Half	Rapido	Self-close	100
SALC2JFG99	165°	Half	Logica	Self-close	100
SALC2PEP99	165°	Inset	Screw-On	Free Swing	100
SALC2REP99	165°	Inset	Dowel	Free Swing	100
SALC2PFP99	165°	Inset	Screw-On	Self-close	100
SALC2RFP99	165°	Inset	Dowel	Self-close	100
SALC27FP99	165°	Inset	Rapido	Self-close	100
SALC2JFP99	165°	Inset	Logica	Self-close	100

A  
B  
C  
D  
E  
F  
G  
H  
I  
J  
K  
L  
M  
N  
O  
P  
Q  
R  
S  
T  
U  
V  
W  
X  
Y

**A SALICE 200 SERIES THICK DOOR HINGES**

B

C

D

E

F

G

H

I

J

K

L

M

N

O

P

Q

R

S

T

U

V

W

X

Y


**94° Thick Door Euro Hinges  
200 Series**
**SALICE**

- 11mm deep cup
- For thick doors up to 32mm (1-1/4")
- Side-to-side adjustment from -1.5mm to +4.5mm
- Height adjustment +/-2mm
- Depth adjustment with DOMI snap-on mounting plates from -0.5mm to +2.8mm
- Depth adjustment with 200 Series mounting plates +2.8mm

Item #	Opening	Overlay	Fixing	Close Type	Box Qty
SALC2PAA99	94°	Full	Screw-On	Free Swing	300
SALC2RAA99	94°	Full	Dowel	Free Swing	300
SALC2PBA99	94°	Full	Screw-On	Self-close	300
SALC2RBA99	94°	Full	Dowel	Self-close	300
SALC27BA99	94°	Full	Rapido	Self-close	300
SALC2JBA99	94°	Full	Logica	Self-close	300
SALC2PBD99	94°	1/2"	Screw-On	Self-close	300
SALC2RBD99	94°	1/2"	Dowel	Self-close	300
SALC2PAG99	94°	Half	Screw-On	Free Swing	300
SALC2RAG99	94°	Half	Dowel	Free Swing	300
SALC2PBG99	94°	Half	Screw-On	Self-close	300
SALC2RBG99	94°	Half	Dowel	Self-close	300
SALC27BG99	94°	Half	Rapido	Self-close	300
SALC2JBG99	94°	Half	Logica	Self-close	300
SALC2PAP99	94°	Inset	Screw-On	Free Swing	300
SALC2RAP99	94°	Inset	Dowel	Free Swing	300
SALC2PBP99	94°	Inset	Screw-On	Self-close	300
SALC2RBP99	94°	Inset	Dowel	Self-close	300
SALC27BP99	94°	Inset	Rapido	Self-close	300
SALC2JBP99	94°	Inset	Logica	Self-close	300

**SALICE 200 SERIES THICK DOOR HINGES**

A  
B  
C  
D  
E  
F  
G  
H  
I  
J  
K  
L  
M  
N  
O  
P  
Q  
R  
S  
T  
U  
V  
W  
X  
Y



**94° Thick Door Euro Hinges  
F Series**

**SALICE**

- 13mm deep cup
- For heavy thick doors - inset up to 40mm (1-1/2") or overlays up to 34mm (1-1/3")
- Hinge of choice for pocket door applications
- Side-to-side adjustment from -0.5mm to +5.5mm
- Height adjustment +/-2mm
- Depth adjustment with DOMI snap-on mounting plates from -0.5mm to +2.8mm
- Depth adjustment with 200 Series mounting plates +2.8mm

Item #	Opening	Overlay	Fixing	Close Type	Box Qty
SALCFA5A99	94°	Full	Screw-On	Free Swing	300
SALCFA7A99	94°	Full	Screw-On	Self-close	300
SALCFA5G99	94°	Half	Screw-On	Free Swing	300
SALCFA7G99	94°	Half	Screw-On	Self-close	300
SALCFA5P99	94°	Inset	Screw-On	Free Swing	300
SALCFA7P99	94°	Inset	Screw-On	Self-close	300



**155° Thick Door Euro Hinges  
200 Series**

**SALICE**

- 11mm deep cup
- For thick doors up to 32mm (1-1/4")
- Side-to-side adjustment from -1.5mm to +4.5mm
- Height adjustment +/-2mm
- Depth adjustment with DOMI snap-on mounting plates from -0.5mm to +2.8mm
- Depth adjustment with 200 Series mounting plates +2.8mm

Item #	Opening	Overlay	Fixing	Close Type	Box Qty
SALC2PKA99	155°	Full - Zero Protrusion	Screw-On	Self-close	100
SALC2RKA99	155°	Full - Zero Protrusion	Dowel	Self-close	100
SALC2PHA99	155°	Full	Screw-On	Self-close	100
SALC2RKA99	155°	Full	Dowel	Self-close	100
SALC2PKD99	155°	1/2"	Screw-On	Self-close	100
SALC2RKD99	155°	1/2"	Dowel	Self-close	100
SALC2PKG99	155°	Half	Screw-On	Self-close	100
SALC2RKG99	155°	Half	Dowel	Self-close	100

**A SALICE 200 SERIES SPECIALTY HINGES**

**B**  
**C**  
**D**  
**E**  
**F**  
**G**  
**H**  
**I**  
**J**  
**K**  
**L**  
**M**  
**N**  
**O**  
**P**  
**Q**  
**R**  
**S**  
**T**  
**U**  
**V**  
**W**  
**X**  
**Y**

**94° Specialty Hinges  
200 Series**

**SALICE**

- 11mm deep cup
- Side-to-side adjustment from -1.5mm to +4.5mm
- Height adjustment +/-2mm
- Depth adjustment with DOMI snap-on mounting plates from -0.5mm to +2.8mm
- Depth adjustment with 200 Series mounting plates +2.8mm



Pie Corner Hinges					
Item #	Opening	Hinge Type	Fixing	Close Type	Box Qty
SALC2PYA99	94°	Pie Corner Hinge	Screw-On	Self-close	150
SALC2RYA99	94°	Pie Corner Hinge	Dowel	Self-close	150
SALC27YA99	94°	Pie Corner Hinge	Rapido	Self-close	150



Blind Corner Hinges - Inset					
Item #	Opening	Hinge Type	Fixing	Close Type	Box Qty
SALC2PBN99AC	94°	Blind Corner Hinge - Inset	Screw-On	Self-close	150
SALC2RBN99AC	94°	Blind Corner Hinge - Inset	Dowel	Self-close	150
SALC27BN99AC	94°	Blind Corner Hinge - Inset	Rapido	Self-close	150
SALC2JBN99AC	94°	Blind Corner Hinge - Inset	Logica	Self-close	150



Blind Corner Hinges - Overlay					
Item #	Opening	Hinge Type	Fixing	Close Type	Box Qty
SALC2P6N99AM	94°	Blind Corner Hinge - Overlay	Screw-On	Self-close	150
SALC2R6N99AM	94°	Blind Corner Hinge - Overlay	Dowel	Self-close	150
SALC276N99AM	94°	Blind Corner Hinge - Overlay	Rapido	Self-close	150
SALC2J6N99AM	94°	Blind Corner Hinge - Overlay	Logica	Self-close	150



Corner Hinges +15°					
Item #	Opening	Hinge Type	Fixing	Close Type	Box Qty
SALC2PBZ99	94°	Corner Hinge +15°	Screw-On	Self-close	150
SALC2RBZ99	94°	Corner Hinge +15°	Dowel	Self-close	150
SALC27BZ99	94°	Corner Hinge +15°	Rapido	Self-close	150
SALC2JBZ99	94°	Corner Hinge +15°	Logica	Self-close	150

**SALICE 200 SERIES SPECIALTY HINGES**

**SALICE**

A  
B  
C  
D  
E  
F  
G  
H  
I  
J  
K  
L  
M  
N  
O  
P  
Q  
R  
S  
T  
U  
V  
W  
X  
Y



Corner Hinges +24°					
Item #	Opening	Hinge Type	Fixing	Close Type	Box Qty
SALC2PBU99	94°	Corner Hinge +24°	Screw-On	Self-close	150
SALC2RBU99	94°	Corner Hinge +24°	Dowel	Self-close	150
SALC27BU99	94°	Corner Hinge +24°	Rapido	Self-close	150
SALC2JBU99	94°	Corner Hinge +24°	Logica	Self-close	150



Corner Hinges +30°					
Item #	Opening	Hinge Type	Fixing	Close Type	Box Qty
SALC2PBE99	94°	Corner Hinge +30°	Screw-On	Self-close	150
SALC2RBE99	94°	Corner Hinge +30°	Dowel	Self-close	150
SALC27BE99	94°	Corner Hinge +30°	Rapido	Self-close	150
SALC2JBE99	94°	Corner Hinge +30°	Logica	Self-close	150



Corner Hinges +30° - Overlay					
Item #	Opening	Hinge Type	Fixing	Close Type	Box Qty
SALC2PBT99	94°	Corner Hinge +30° - Overlay	Screw-On	Self-close	150
SALC2RBT99	94°	Corner Hinge +30° - Overlay	Dowel	Self-close	150
SALC27BT99	94°	Corner Hinge +30° - Overlay	Rapido	Self-close	150
SALC2JBT99	94°	Corner Hinge +30° - Overlay	Logica	Self-close	150



Corner Hinges +37°					
Item #	Opening	Hinge Type	Fixing	Close Type	Box Qty
SALC2PBK99	94°	Corner Hinge +37°	Screw-On	Self-close	150
SALC2RBK99	94°	Corner Hinge +37°	Dowel	Self-close	150
SALC27BK99	94°	Corner Hinge +37°	Rapido	Self-close	150
SALC2JBK99	94°	Corner Hinge +37°	Logica	Self-close	150



Corner Hinges +45° - Twin Application					
Item #	Opening	Hinge Type	Fixing	Close Type	Box Qty
SALC2PBM99AC	94°	Corner Hinge +45° - Twin Application	Screw-On	Self-close	150
SALC2RBM99AC	94°	Corner Hinge +45° - Twin Application	Dowel	Self-close	150
SALC27BM99AC	94°	Corner Hinge +45° - Twin Application	Rapido	Self-close	150
SALC2JBM99AC	94°	Corner Hinge +45° - Twin Application	Logica	Self-close	150

**A SALICE 200 SERIES SPECIALTY HINGES**

**B**  
**C**  
**D**  
**E**  
**F**  
**G**  
**H**  
**I**  
**J**  
**K**  
**L**  
**M**  
**N**  
**O**  
**P**  
**Q**  
**R**  
**S**  
**T**  
**U**  
**V**  
**W**  
**X**  
**Y**

**SALICE**



Corner Hinges +45°					
Item #	Opening	Hinge Type	Fixing	Close Type	Box Qty
SALC2PBM99	94°	Corner Hinge +45°	Screw-On	Self-close	150
SALC2RBM99	94°	Corner Hinge +45°	Dowel	Self-close	150
SALC27BM99	94°	Corner Hinge +45°	Rapido	Self-close	150
SALC2JBM99	94°	Corner Hinge +45°	Logica	Self-close	150



Corner Hinges +45° - Overlay					
Item #	Opening	Hinge Type	Fixing	Close Type	Box Qty
SALC2PBV99	94°	Corner Hinge +45° - Overlay	Screw-On	Self-close	150
SALC2RBV99	94°	Corner Hinge +45° - Overlay	Dowel	Self-close	150
SALC27BV99	94°	Corner Hinge +45° - Overlay	Rapido	Self-close	150
SALC2JBV99	94°	Corner Hinge +45° - Overlay	Logica	Self-close	150



Negative Angle Hinges -30°					
Item #	Opening	Hinge Type	Fixing	Close Type	Box Qty
SALC2PBW99	94°	Negative Angle Hinge -30°	Screw-On	Self-close	150
SALC2RBW99	94°	Negative Angle Hinge -30°	Dowel	Self-close	150
SALC27BW99	94°	Negative Angle Hinge -30°	Rapido	Self-close	150
SALC2JBW99	94°	Negative Angle Hinge -30°	Logica	Self-close	150



Negative Angle Hinges -45°					
Item #	Opening	Hinge Type	Fixing	Close Type	Box Qty
SALC2PBH99	94°	Negative Angle Hinge -45°	Screw-On	Self-close	150
SALC2RBH99	94°	Negative Angle Hinge -45°	Dowel	Self-close	150
SALC27BH99	94°	Negative Angle Hinge -45°	Rapido	Self-close	150
SALC2JBH99	94°	Negative Angle Hinge -45°	Logica	Self-close	150



**SALICE UNIVERSAL HINGES**

A  
B  
C  
D  
E  
F  
G  
H  
I  
J  
K  
L  
M  
N  
O  
P  
Q  
R  
S  
T  
U  
V  
W  
X  
Y

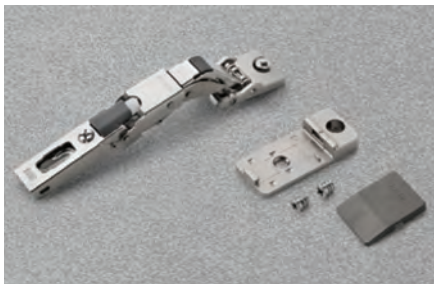


**110° Universal Hinges for Wood Doors  
Universal Series**

**SALICE**

- Provides solutions for special applications including lipped doors and molded profiles
- 9mm deep metal cup
- Side-to-side adjustment from -1.5mm to +4.5mm
- Height adjustment +/-2mm
- Depth adjustment with DOMI snap-on mounting plates from -0.5mm to +2.8mm
- Depth adjustment with 200 Series mounting plates +2.8mm

Item #	Opening	Overlay	Fixing	Close Type	Box Qty
SALCBP2AE9	110°	Full	Screw-On	Soft-close	150
SALCBP2AC9	110°	Full	Screw-On	Self-close	150
SALCBPQAC9	110°	Full	Screw-On	Push Open	150
SALCBR2AE9	110°	Full	Dowel	Soft-close	150
SALCBR2AC9	110°	Full	Dowel	Self-close	150
SALCBRQAC9	110°	Full	Dowel	Push Open	150



**110° Universal Hinges for Thin Doors  
Universal Series**

**SALICE**

- Hinges for doors with a minimum thickness of 8mm made with special materials
- Side-to-side adjustment from -1.5mm to +4.5mm
- Height adjustment +/-2mm
- Depth adjustment with DOMI snap-on mounting plates from -0.5mm to +2.8mm
- Depth adjustment with 200 Series mounting plates +2.8mm

Item #	Opening	Overlay	Close Type	Box Qty
SALCBY2AE9	110°	Full	Soft-close	150
SALCBY2AC9	110°	Full	Self-close	150
SALCBYQAC9	110°	Full	Push Open	150

**A SALICE UNIVERSAL HINGES**



**110° Universal Hinges for Glass Doors  
Universal Series**

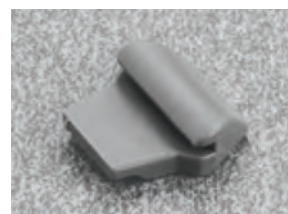
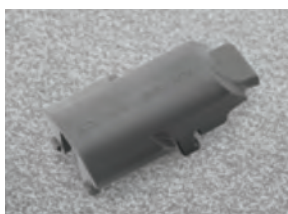
**SALICE**

- Hinges for glass doors - no drilling of the glass is required
- Side-to-side adjustment from -1.5mm to +4.5mm
- Height adjustment +/-2mm
- Depth adjustment with DOMI snap-on mounting plates from -0.5mm to +2.8mm
- Depth adjustment with 200 Series mounting plates +2.8mm

Item #	Opening	Overlay	Close Type	Box Qty
SALCBG2AE9	110°	Full	Soft-close	150
SALCBG2AC9	110°	Full	Self-close	150
SALCBGQAC9	110°	Full	Push Open	150



Universal Hinge Accessories			
	Item #	Description	Box Qty
1	SALSBXX85A9	Plastic Flange Cover Cap for 35mm Cup	1,000
2	SALDBDESN6	Universal Hinge Add-On Soft-close Device	300
3	SALSBAX78A6SN	Universal Hinge Decorative Cover	300
4	SALSBA237X6	Universal Hinge 90° Restriction Clip	2000



**SALICE PUSH HINGE SYSTEM**

A  
B  
C  
D  
E  
F  
G  
H  
I  
J  
K  
L  
M  
N  
O  
P  
Q  
R  
S  
T  
U  
V  
W  
X  
Y



**110° Push Hinges  
200 Series**

**SALICE**

- 11 mm deep cup
- For use with Push Self-Opening Hinge system

Item #	Opening	Overlay	Fixing	Close Type	Box Qty
SALC2PPA99	110°	Full	Screw-On	Push Open	100
SALC2RPA99	110°	Full	Dowel	Push Open	100
SALC2PPG99	110°	Half	Screw-On	Push Open	100
SALC2RPG99	110°	Half	Dowel	Push Open	100
SALC2PPP99	110°	Inset	Screw-On	Push Open	100
SALC2RPP99	110°	Inset	Dowel	Push Open	100



**165° Push Hinges  
200 Series**

**SALICE**

- 11 mm deep cup
- For use with Push Self-Opening Hinge system

Item #	Opening	Overlay	Fixing	Close Type	Box Qty
SALC2PSA99	165°	Full	Screw-On	Push Open	100
SALC2RSA99	165°	Full	Dowel	Push Open	100
SALC2PSG99	165°	Half	Screw-On	Push Open	100
SALC2RSG99	165°	Half	Dowel	Push Open	100
SALC2PSP99	165°	Inset	Screw-On	Push Open	100
SALC2RSP99	165°	Inset	Dowel	Push Open	100



**94° Thick Door Push Hinges  
200 Series**

**SALICE**

- 11 mm deep cup
- For use with Push Self-Opening Hinge system

Item #	Opening	Overlay	Fixing	Close Type	Box Qty
SALC2PVA99	94°	Full	Screw-On	Push Open	100
SALC2RVA99	94°	Full	Dowel	Push Open	100
SALC2PVG99	94°	Half	Screw-On	Push Open	100
SALC2RVG99	94°	Half	Dowel	Push Open	100
SALC2PVP99	94°	Inset	Screw-On	Push Open	100
SALC2RVP99	94°	Inset	Dowel	Push Open	100

**A SALICE PUSH HINGE SYSTEM**

**B**  
**C**  
**D**  
**E**  
**F**  
**G**  
**H**  
**I**  
**J**  
**K**  
**L**  
**M**  
**N**  
**O**  
**P**  
**Q**  
**R**  
**S**  
**T**  
**U**  
**V**  
**W**  
**X**  
**Y**

**Push System Latches & Accessories**

**SALICE**



Latches with Assembly Stop Tabs - For Woodscrew Fixing			
Beige Item #	Gray Item #	Black Item #	Box Qty
SALDP3SNB	SALDP3SNG	SALDP3SN3	300



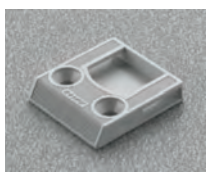
Adjustable Latches - Single Adapter with Lateral/Depth Adjustment			
Beige Item #	Gray Item #	Black Item #	Box Qty
SALDP4SNB	SALDP4SNG	SALDP4SN3	300



Adjustable Latches - Double Adapter with Lateral/Depth Adjustment			
Beige Item #	Gray Item #	Black Item #	Box Qty
SALDP5SNB	SALDP5SNG	SALDP5SN3	300



Retaining Catches for Wood Doors - Overlay Applications			
Beige Item #	Gray Item #	Black Item #	Box Qty
SALDP29SNB	SALDP29SNG	SALDP29SN3	300



Retaining Catches for Wood Doors - Inset Applications			
Beige Item #	Gray Item #	Black Item #	Box Qty
SALDP29SNBR	SALDP29SNGR	SALDP29SN3R	300



Insertion Tool for Aligning Retaining Catch DP29SN Series			
Item #			
SALDP50SNO			

**SALICE PUSH HINGE SYSTEM**

**Release Devices, Adapters, & Retaining Catches**

**SALICE**

A  
B  
C  
D  
E  
F  
G  
H  
I  
J  
K  
L  
M  
N  
O  
P  
Q  
R  
S  
T  
U  
V  
W  
X  
Y



1



2



3

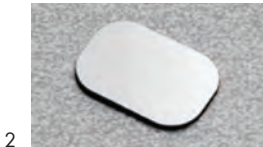
Release Devices & Adapters			
Item #		Description	Box Qty
1	SALDPMSNB	10mm Release Device - 40mm Length	250
2	SALDPASNB	Additional Release Device for DPM Series	250
3	SALDP82XXBR	Beige Adjustable Plastic Adapter for Release Device - 8+16mm Drilling	500
	SALDP82XXGR	Gray Adjustable Plastic Adapter for Release Device - 8+16mm Drilling	500
	SALDP82XX3R	Black Adjustable Plastic Adapter for Release Device - 8+16mm Drilling	500
4	SALDP84SNBR	Beige Adjustable Plastic Adapter for Release Device - with Stop Tabs	500
	SALDP84XX3R	Black Adjustable Plastic Adapter for Release Device - with Stop Tabs	500



4



1



2



3

Retaining Catches			
Item #		Description	Box Qty
1	SALDP28SN9	11.5mm Retaining Catch to be Inserted	250
2	SALDP38XX91	20x14mm Retaining Catch with Adhesive	250
3	SALDP39XXG	16.6mm Adjustable Magnetic Retaining Catch	250

**A SALICE AIR HINGE SYSTEM**



**AIR Hinges Used with Wood Doors**



**Nickel Plating**



**Titanium Plating**



**AIR Hinges Used with Aluminum Framed Glass Doors**

**Salice Air Hinge System**

**SALICE**

**Features:**

- Innovative award winning hinge system for contemporary cabinetry and furniture
- Although small in profile, the AIR hinge provides full functionality and superior strength
- Uses only 2 hinges in cabinet designs that would otherwise require 3 or even 4 hinges
- Available in both Soft-close or Push-to-open versions in Nickel or Titanium finishes
- 6-way cam adjustable for height, depth, and lateral adjustment

**Specifications:**

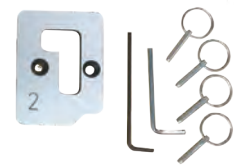
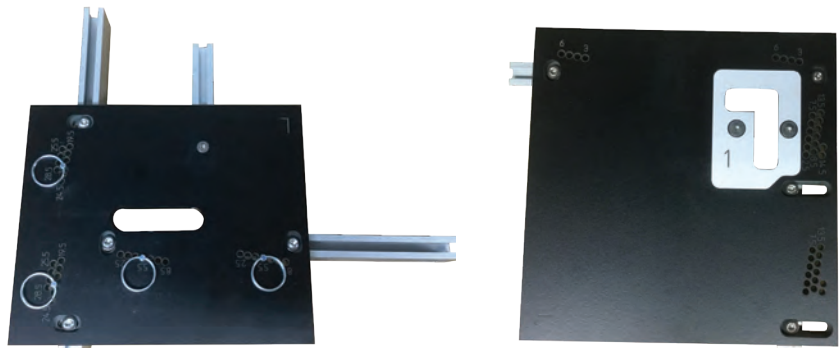
- 105° opening angle
- Minimum door thickness: 3/4" (18mm)
- Maximum door thickness: 1-1/2" (38mm)
- Maximum door weight (2 hinges): 44 lbs.
- Maximum door size: 84" (2100mm) x 24" (600mm)
- Wood door edge bore drilling: 3mm - 6mm
- Aluminum door edge bore drilling: 4mm

**AIR Hinges**

Item #	Type	Finish	Box Qty
SALCEL6XE9XXV	Soft-Close	Nickel	12
SALCEL6XE6XXV	Soft-Close	Titanium	12
SALCELPX99XXV	Push-to-open	Nickel	12
SALCELPX66XXV	Push-to-open	Titanium	12

\* Polybag set includes 2 hinges (one left and one right) and assembly screws

**AIR Hinge Templates**



Item #	Description
SALTZTMPLTCAB	AIR Drilling Template for Cabinet
SALTZTMPLTDR	AIR Drilling Template for Door

**SALICE EURO HINGE 1 CAM BASEPLATES**

A  
B  
C  
D  
E  
F  
G  
H  
I  
J  
K  
L  
M  
N  
O  
P  
Q  
R  
S  
T  
U  
V  
W  
X  
Y

**SALICE**

**1 Cam Screw-in Baseplates**



0mm Item #	3mm Item #	6mm Item #	9mm Item #	12mm Item #	18mm Item #	Finish	Box Qty
SALBAV3L09F	SALBAV3L39F	SALBAV3L69F	-	-	-	Steel	300
SALBAV3E09F	SALBAV3E39F	SALBAV3E69F	SALBAV3E99F	SALBAV3EC9F	SALBAV3EV9F	Die Cast	300

**1 Cam Baseplates with Pre-Mounted Euro Screws**



0mm Item #	3mm Item #	6mm Item #	9mm Item #	12mm Item #	18mm Item #	Finish	Box Qty
SALBAVGL09F/16	SALBAVGL39F/16	SALBAVGL69F/16	-	-	-	Steel	300
SALBAVGE09F/16	SALBAVGE39F/16	SALBAVGE69F/16	SALBAVGE99F/16	SALBAVGEC9F/16	SALBAVGEV9F/16	Die Cast	300

**1 Cam Baseplates with 5mm Expansion Dowels**



Item #	Height	Cams	Type	Finish	Box Qty
SALBAV4L09F/16	0mm	1	5mm Expansion Dowels	Steel	300
SALBAV4L39F/16	3mm	1	5mm Expansion Dowels	Steel	300

**1 Cam Screw-in Baseplates - New Steel**



Item #	Height	Cams	Type	Finish	Box Qty
SALBAV3M09F	0mm	1	Screw-in	Steel	300
SALBAV3M39F	3mm	1	Screw-in	Steel	300

**1 Cam Baseplates with Pre-Mounted Euro Screws - New Steel**



Item #	Height	Cams	Type	Finish	Box Qty
SALBAVGM09F/16	0mm	1	Pre-mounted Euro Screws	Steel	300
SALBAVGM29F/16	2mm	1	Pre-mounted Euro Screws	Steel	300
SALBAVGM39F/16	3mm	1	Pre-mounted Euro Screws	Steel	300

**1 Cam Baseplates with 5mm Expansion Dowels - New Steel**



Item #	Height	Cams	Type	Finish	Box Qty
SALBAV4M09F/16	0mm	1	5mm Expansion Dowels	Steel	300
SALBAV4M39F/16	3mm	1	5mm Expansion Dowels	Steel	300

**A SALICE EURO HINGE 2 CAM BASEPLATES**

B


**2 Cam Screw-in Baseplates - Steel**
**SALICE**

Item #	Height	Cams	Type	Finish	Box Qty
SALBAR3L09F	0mm	2	Screw-in	Steel	300
SALBAR3L39F	3mm	2	Screw-in	Steel	300
SALBAR3L69F	6mm	2	Screw-in	Steel	300

C

D

E

F

G


**2 Cam Baseplates with Pre-Mounted Euro Screws - Steel**

Item #	Height	Cams	Type	Finish	Box Qty
SALBARGL09F/16	0mm	2	Pre-mounted Euro Screws	Steel	300
SALBARGL39F/16	3mm	2	Pre-mounted Euro Screws	Steel	300
SALBARGL69F/16	6mm	2	Pre-mounted Euro Screws	Steel	300

H

I

J

K


**2 Cam Inline Screw-in Baseplates - Die Cast**

Item #	Height	Cams	Type	Finish	Box Qty
SALBAP3R09	0mm	2	Screw-in	Die Cast	300
SALBAP3R29	2mm	2	Screw-in	Die Cast	300
SALBAP3R39	3mm	2	Screw-in	Die Cast	300
SALBAP3R69	6mm	2	Screw-in	Die Cast	300
SALBAP3R99	9mm	2	Screw-in	Die Cast	300
SALBAP3RC9	12mm	2	Screw-in	Die Cast	300

L

M

N

O

P

Q


**2 Cam Inline Baseplates with Pre-Mounted Euro Screws - Die Cast**

Item #	Height	Cams	Type	Finish	Box Qty
SALBAPGR09/16	0mm	2	Pre-mounted Euro Screws	Die Cast	300
SALBAPGR29/16	2mm	2	Pre-mounted Euro Screws	Die Cast	300
SALBAPGR39/16	3mm	2	Pre-mounted Euro Screws	Die Cast	300
SALBAPGR69/16	6mm	2	Pre-mounted Euro Screws	Die Cast	300

R

S

T

U

V


**2 Cam Inline Baseplates with 10mm Dowels - Die Cast**

Item #	Height	Cams	Type	Finish	Box Qty
SALBAP7R09	0mm	2	10mm Dowels	Die Cast	300
SALBAP7R29	2mm	2	10mm Dowels	Die Cast	300
SALBAP7R39	3mm	2	10mm Dowels	Die Cast	300
SALBAP7R69	6mm	2	10mm Dowels	Die Cast	300

W

X

Y



**SALICE EURO HINGE 2 CAM BASEPLATES**

A  
B  
C  
D  
E  
F  
G  
H  
I  
J  
K  
L  
M  
N  
O  
P  
Q  
R  
S  
T  
U  
V  
W  
X  
Y

**2 Cam Screw-in Baseplates - Die Cast**

**SALICE**



Item #	Height	Cams	Type	Finish	Box Qty
SALBAR3R09	0mm	2	Screw-in	Die Cast	300
SALBAR3R29	2mm	2	Screw-in	Die Cast	300
SALBAR3R39	3mm	2	Screw-in	Die Cast	300
SALBAR3R69	6mm	2	Screw-in	Die Cast	300
SALBAR3R99	9mm	2	Screw-in	Die Cast	300
SALBAR3RC9	12mm	2	Screw-in	Die Cast	300
SALBAR3RV9	18mm	2	Screw-in	Die Cast	300

**2 Cam Baseplates with Pre-Mounted Euro Screws - Die Cast**



Item #	Height	Cams	Type	Finish	Box Qty
SALBARGR09/16	0mm	2	Pre-mounted Euro Screws	Die Cast	300
SALBARGR29/16	2mm	2	Pre-mounted Euro Screws	Die Cast	300
SALBARGR39/16	3mm	2	Pre-mounted Euro Screws	Die Cast	300
SALBARGR69/16	6mm	2	Pre-mounted Euro Screws	Die Cast	300
SALBARGR99/16	9mm	2	Pre-mounted Euro Screws	Die Cast	300
SALBARGRC9/16	12mm	2	Pre-mounted Euro Screws	Die Cast	300
SALBARGRV9/16	18mm	2	Pre-mounted Euro Screws	Die Cast	300

**2 Cam Baseplates with Short Pre-Mounted Euro Screws - For Twin Application - Die Cast**



Item #	Height	Cams	Type	Finish	Box Qty
SALBARGR09/20	0mm	2	Pre-mounted Short Euro Screws	Die Cast	300
SALBARGR29/20	2mm	2	Pre-mounted Short Euro Screws	Die Cast	300
SALBARGR39/20	3mm	2	Pre-mounted Short Euro Screws	Die Cast	300
SALBARGR69/20	6mm	2	Pre-mounted Short Euro Screws	Die Cast	300
SALBARGR99/20	9mm	2	Pre-mounted Short Euro Screws	Die Cast	300

**A SALICE EURO HINGE 2 CAM BASEPLATES**

B

C

D

E

F

G

H

I

J

K

L

M

N

O

P

Q

R

S

T

U

V

W

X

Y


**2 Cam Baseplates with 5mm Expansion Dowels - Die Cast**
**SALICE**

Item #	Height	Cams	Type	Finish	Box Qty
SALBAR4R09/16	0mm	2	5mm Expansion Dowels	Die Cast	300
SALBAR4R29/16	2mm	2	5mm Expansion Dowels	Die Cast	300
SALBAR4R39/16	3mm	2	5mm Expansion Dowels	Die Cast	300
SALBAR4R69/16	6mm	2	5mm Expansion Dowels	Die Cast	300


**2 Cam Thick Screw-in Baseplates - Die Cast**

Item #	Height	Cams	Type	Finish	Box Qty
SALBAR3RZ9	21mm	2	Screw-in	Die Cast	150
SALBAR3RY9	24mm	2	Screw-in	Die Cast	150
SALBAR3RU9	27mm	2	Screw-in	Die Cast	150
SALBAR3RM9	30mm	2	Screw-in	Die Cast	150


**2 Cam Thick Baseplates with Pre-Mounted Euro Screws - Die Cast**

Item #	Height	Cams	Type	Finish	Box Qty
SALBARGRZ/16	21mm	2	Pre-mounted Euro Screws	Die Cast	150
SALBARGRY9/16	24mm	2	Pre-mounted Euro Screws	Die Cast	150
SALBARGRU9/16	27mm	2	Pre-mounted Euro Screws	Die Cast	150
SALBARGRM/16	30mm	2	Pre-mounted Euro Screws	Die Cast	150

**SALICE EURO HINGE FACE FRAME BASEPLATES**

A  
B  
C  
D  
E  
F  
G  
H  
I  
J  
K  
L  
M  
N  
O  
P  
Q  
R  
S  
T  
U  
V  
W  
X  
Y

**SALICE**

**1 Cam Screw-in Face Frame Baseplates - Die Cast**



Item #	Height	Cams	Type	Finish	Box Qty
SALBAU3E19	1mm	1	Screw-in	Die Cast	300
SALBAU3E49	4mm	1	Screw-in	Die Cast	300

**1 Cam Screw-in Face Frame Baseplates - Steel**



Item #	Height	Cams	Type	Finish	Box Qty
SALBAU3L19	1mm	1	Screw-in	Steel	300
SALBAU3L49	4mm	1	Screw-in	Steel	300

**2 Cam Screw-in Face Frame Baseplates - Die Cast**



Item #	Height	Cams	Type	Finish	Box Qty
SALBAU3R19	1mm	2	Screw-in	Die Cast	300
SALBAU3R49	4mm	2	Screw-in	Die Cast	300
SALBAU3R69	6mm	2	Screw-in	Die Cast	300



**2 Cam Screw-in Face Frame Baseplates for Refacers - Die Cast**

Item #	Height	Cams	Type	Finish	Box Qty
SALBAU3R19XR	1mm	2	Screw-in for Refacers	Die Cast	300
SALBAU3R49XR	4mm	2	Screw-in for Refacers	Die Cast	300
SALBAU3R69XR	6mm	2	Screw-in for Refacers	Die Cast	300



**2 Cam Screw-in Inset Face Frame Baseplate - Die Cast**



Item #	Height	Cams	Type	Finish	Box Qty
SALBAL3R59	5mm	2	Screw-in	Die Cast	300

**2 Cam Screw-in Rear Flange Face Frame Baseplate - Die Cast**



Item #	Height	Cams	Type	Finish	Box Qty
SALBA0R59	5mm	2	Screw-in	Die Cast	150

**2 Cam Screw-in Large Overlay Face Frame Baseplate - Die Cast**



Item #	Height	Cams	Type	Finish	Box Qty
SALBAM3R09	0mm	2	Screw-in	Die Cast	300

**A SALICE HINGE SOFT-CLOSE ADAPTERS**

B  
C  
D  
E  
F  
G  
H  
I  
J  
K  
L  
M  
N  
O  
P  
Q  
R  
S  
T  
U  
V  
W  
X  
Y



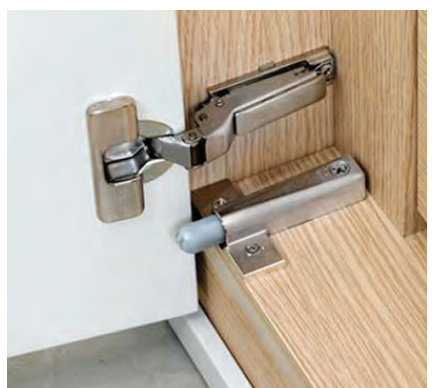
**Universal Face Frame Cabinet Soft-Close  
Salice Type "U" Smove Adjustable Soft-Close**

**SALICE**

- One piece single face frame design for all door styles
- Soft top to prevent door marring and easily mounted using a single #6 wood screw
- Adjustable (screw turn) tension for varying door sizes/weights
- Consistent spacing using indexing tab
- Does not interfere with space needed for rollout shelves or access to hinge adjustment screws
- Convenient, single part ordering (Smove and housing as one integrated part)

Right Side Mount Item #	Left Side Mount Item #	Box Qty
SALDOUROG	SALDOULOG	150

Accessory Items	
Item #	Description
AN608520	Vix Bit, 1/4" Hex Shank, #6 Screw
AN630520	Replacement Bit for above



**Universal Cabinet Soft-Close  
Salice Type "L" Smove Adjustable Soft-Close**

**SALICE**

- One piece soft-close device is suitable for frame or frameless cabinets
- Can be used with either Salice "S" Series or 200 Series face frame applications
- Three models offer varying resistance levels to adapt to door styles, weights & overlay applications
- Additional tension adjustment is provided by tightening/loosening screw on the Type L Smove
- Attached using two common #6 x 5/8" wood screws
- Precise positioning established using the integrated front locator tab
- Precise, consistent positioning from cabinet side by means of assembly tabs
- Non handed. One Smove for either left or right side mounting
- Only 1 Smove Type L required per door

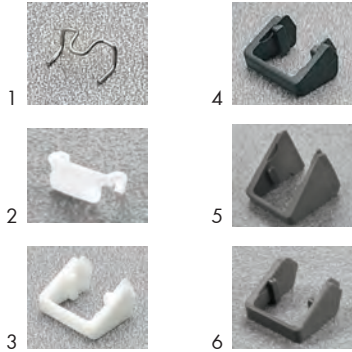
Medium Tension Item #	High Tension Item #	Extra High Tension Item #	Box Qty
SALD0LHSNG For doors with 2 or 3 hinges (Black piston)	SALD0L8SNG For doors with 4 hinges (Orange piston)	SALD0L9SNG For extremely heavy doors only (Beige piston)	150

Accessory Items	
Item #	Description
AN608520	Vix Bit, 1/4" Hex Shank, #6 Screw
AN630520	Replacement Bit for above

**SALICE EURO HINGE ACCESSORIES**

**Angle Restriction Clips**

**SALICE**



Item #	Description	Box Qty
1	SALS2A637XF 86° Restriction Clip for All 200 & 700 Series Hinges	500
2	SALS1E637XY 86° Restriction Clip for All 100 & 700 Series Hinges	500
3	SALS2BF37XY 110° Restriction Clip for 155°/165° Hinges	2,000
4	SALS2AF37X3 125° Restriction Clip for 155°/165° Hinges	2,000
5	SALS2BM37XG 92° Restriction Clip for 155° Zero Protrusion Hinges	2,000
6	SALS2AM37XG 120° Restriction Clip for 155° Zero Protrusion Hinges	2,000

**Hinge Arm Cover Caps**



Item #	Description	Finish	Box Qty
1	SALS2BX83H9 Cover Cap for 100, 200, and 700 Series Hinges	Steel	5,000
2	SALS2XX83A1 Cover Cap for 100, 200, and 700 Series Hinges	White	5,000
	SALS2XX83A3 Cover Cap for 100, 200, and 700 Series Hinges	Black	5,000

**Flange Cover Caps**



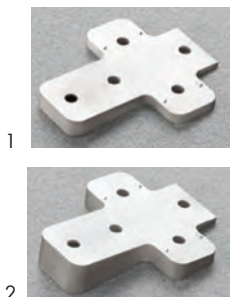
Item #	Description	Finish	Box Qty
1	SALS2XX85H9 Steel Flange Cover Cap	Nickel	3,000

**Spacers**



Item #	Description	Box Qty
1	SALS2XF86KT 1.8mm Spacer for 155° Hinges	1,200
2	SALS2XX86BT 0.6mm Spacer for 94°, 105°, and 110° Hinges	1,200
	SALS2XX86AT 1.2mm Spacer for 94°, 105°, and 110° Hinges	1,200
	SALS2XX86KT 1.8mm Spacer for 94°, 105°, and 110° Hinges	1,200

**Variable Angle Adapters**



Item #	Description	Box Qty
1	SALSAV354X9R +5° Die Cast Adapter for Mounting Plates	1,200
2	SALSAV354X9S +10° Die Cast Adapter for Mounting Plates	1,200

A  
B  
C  
D  
E  
F  
G  
H  
I  
J  
K  
L  
M  
N  
O  
P  
Q  
R  
S  
T  
U  
V  
W  
X  
Y

**A SALICE SILENTIA SOFT-CLOSE FACE FRAME HINGES**

B

C

D

E

F

G

H

I

J

K

L

M

N

O

P

Q

R

S

T

U

V

W

X

Y


**106° Silentia Excentra 2-Cam Face Frame Hinges**

- 11mm (7/16") cup depth
- Variable drilling distance of 2.5mm - 6mm
- Minimum door thickness 14mm (9/16")
- Maximum door thickness 22mm (7/8")
- Wraparound (front and rear tabs)

**SALICE**

Overlay	Screw-On Item #	Dowel Item #	Box Qty
3/8"	SALCUP39D9	SALCUR39D9	300
1/2"	SALCUP37D9	SALCUR37D9	300
9/16"	SALCUP36D9	SALCUR36D9	300
5/8"	SALCUP35D9	SALCUR35D9	300
3/4"	SALCUP34D9	SALCUR34D9	300
1"	SALCUP32D9	SALCUR32D9	300
1-1/4"	SALCUP3AD9	SALCUR3AD9	300
1-5/16"	SALCUP3BD9R	SALCUR3BD9R	300
1-3/8"	SALCUP3CD9R	SALCUR3CD9R	300
1-7/16"	SALCUP3DD9	SALCUR3DD9	300
1-9/16"	SALCUP3ED9	SALCUR3ED9	300


**106° Silentia Excenthree 3-Cam Face Frame Hinges**

- 11mm (7/16") cup depth
- Variable drilling distance of 2.5mm - 6mm
- Minimum door thickness 14mm (9/16")
- Maximum door thickness 22mm (7/8")
- Edgemount (front tabs only)

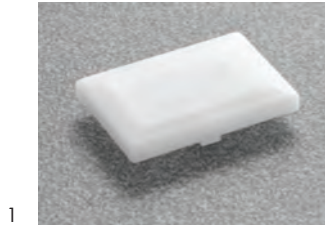
**SALICE**

Overlay	Screw-On Item #	Dowel Item #	Box Qty
1/2"	SALCUP37D9R	SALCUR37D9R	300
9/16"	SALCUP36D9R	SALCUR36D9R	300
5/8"	SALCUP35D9R	SALCUR35D9R	300
3/4"	SALCUP34D9R	SALCUR34D9R	300
1"	SALCUP32D9R	SALCUR32D9R	300
1-1/4"	SALCUP3AD9R	SALCUR3AD9R	300
1-5/16"	SALCUP3BD9R	SALCUR3BD9R	300
1-3/8"	SALCUP3CD9R	SALCUR3CD9R	300
1-7/16"	SALCUP3DD9R	SALCUR3DD9R	300
1-9/16"	SALCUP3ED9R	SALCUR3ED9R	300

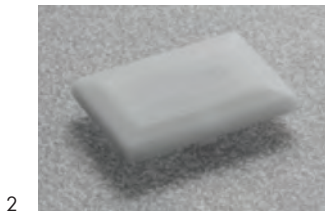
**SALICE SILENTIA SOFT-CLOSE FACE FRAME HINGES**

**Silentia Soft-Close Face Frame Accessories**

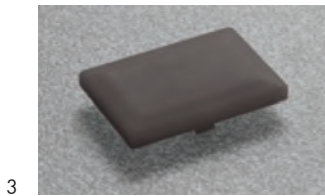
**SALICE**



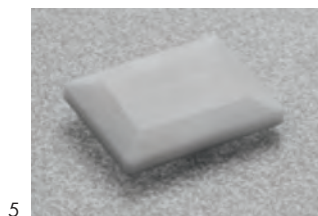
Cover Caps for 1/2" to 3/4" Overlays				
	Item #	Description	Color	Box Qty
1	SALSUXX83C1	Nylon Cover Cap	White	5,000
2	SALSUXX83CG	Nylon Cover Cap	Grey	5,000
3	SALSUXX83C6	Nylon Cover Cap	Titanium	5,000



Cover Caps for 1" to 1-3/8" Overlays				
	Item #	Description	Color	Box Qty
4	SALSUXX83L1	Nylon Cover Cap	White	5,000
5	SALSUXX83LG	Nylon Cover Cap	Grey	5,000
6	SALSUXX83L6	Nylon Cover Cap	Titanium	5,000



Angle Restriction Clip				
	Item #	Description	Color	Box Qty
7	SALSUP337XG	86° Restriction Clip	Grey	500



A  
B  
C  
D  
E  
F  
G  
H  
I  
J  
K  
L  
M  
N  
O  
P  
Q  
R  
S  
T  
U  
V  
W  
X  
Y

**A SALICE SELF-CLOSE FACE FRAME HINGES**

B  
C  
D  
E  
F  
G  
H  
I  
J  
K  
L  
M  
N  
O  
P  
Q  
R  
S  
T  
U  
V  
W  
X  
Y



**106° Excentra 2-Cam Face Frame Hinges  
S Series**

**SALICE**

- 11mm (7/16") cup depth
- Stamped steel
- Drilling distance fixed at 2.5mm (3/32")

Overlay	Screw-On Item #	Dowel Item #	Box Qty
1/4"	SALCSP3Y99	SALCSR3Y99	300
5/16"	SALCSP3Z99	SALCSR3Z99	300
3/8"	SALCSP3999	SALCSR3999	300
7/16"	SALCSP3899	SALCSR3899	300
1/2"	SALCSP3799	SALCSR3799	300
9/16"	SALCSP3699	SALCSR3699	300
5/8"	SALCSP3599	SALCSR3599	300
3/4"	SALCSP3499	SALCSR3499	300
1"	SALCSP3299N	SALCSR3299N	300
1-1/8"	SALCSP3199N	SALCSR3199N	300
1-1/4"	SALCSP3A99N	SALCSR3A99N	300
1-5/16"	SALCSP3B99N	SALCSR3B99N	300
1-3/8"	SALCSP3C99N	SALCSR3C99N	300
1-7/16"	SALCSP3D99N	SALCSR3D99N	300
1-9/16"	SALCSP3E99N	SALCSR3E99N	300



1



2

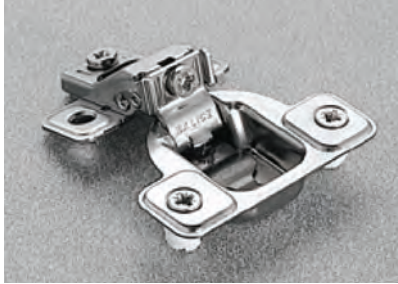
**Face Frame Hinge Accessories**

**SALICE**

Restriction Clips			
Item #	Description	Box Qty	
1	SALSSP3377G 86° Restriction Clip for 1/4"- 3/4" Overlay "S" Series Hinges	2,000	
2	SALSSP3377AG 86° Restriction Clip for 1-1/8"- 1-9/16" Overlay "S" Series Hinges	2,000	



**SALICE SELF-CLOSE FACE FRAME HINGES**



**106° Excentthree 3-Cam Face Frame Hinges  
S Series**

**SALICE**

- 11 mm (7/16") cup depth
- Stamped steel
- Drilling distance fixed at 2.5mm (3/32")

Overlay	Screw-On Item #	Dowel Item #	Box Qty
1/2"	SALCSP3799XR	SALCSR3799XR	300
9/16"	SALCSP3699XR	SALCSR3699XR	300
5/8"	SALCSP3599XR	SALCSR3599XR	300
3/4"	SALCSP3499XR	SALCSR3499XR	300
1"	SALCSP3299NR	SALCSR3299NR	300
1-1/4"	SALCSP3A99NR	SALCSR3A99NR	300
1-5/16"	SALCSP3B99NR	SALCSR3B99NR	300
1-3/8"	SALCSP3C99NR	SALCSR3C99NR	300
1-7/16"	SALCSP3D99NR	SALCSR3D99NR	300
1-9/16"	SALCSP3E99NR	SALCSR3E99NR	300

A  
B  
C  
D  
E  
F  
G  
H  
I  
J  
K  
L  
M  
N  
O  
P  
Q  
R  
S  
T  
U  
V  
W  
X  
Y



1



2

**Face Frame Hinge Accessories**

**SALICE**

Restriction Clips			
Item #	Item #	Description	Box Qty
1	SALSSP3377G	86° Restriction Clip for 1/4"- 3/4" Overlay "S" Series Hinges	2,000
2	SALSSP3377AG	86° Restriction Clip for 1-1/8"- 1-9/16" Overlay "S" Series Hinges	2,000

**A SUGATSUNE 304B STAINLESS STEEL HINGES**

B  
C  
D  
E  
F  
G  
H  
I  
J  
K  
L  
M  
N  
O  
P  
Q  
R  
S  
T  
U  
V  
W  
X  
Y



**304B 100° Hinges**

- Cup diameter 35mm / Cup depth 11mm
- Made of 304 stainless steel for superior corrosion resistance
- Finish: Polished



Item #	Type	Boring Pattern	Fixing	Close Type	Box Qty
SG304B-46/19	3/4" (19mm) Full Overlay	43mm	Screw-On	Free Swinging	200
SG304B-C46/19	3/4" (19mm) Full Overlay	43mm	Screw-On	Self-Closing	200
SG304B-C46/14	9/16" (14mm) Overlay	43mm	Screw-On	Self-Closing	200
SG304B-C46/9	3/8" (9mm) Half Overlay	43mm	Screw-On	Self-Closing	200

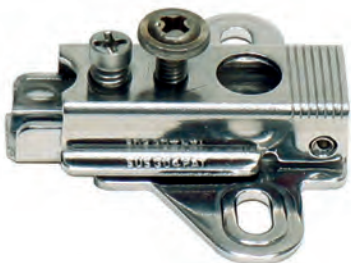


**304B Mounting Plate**

- Designed for Sugatsune's 304B hinges
- 32mm c/c
- Made of 304 stainless steel for superior corrosion resistance
- Finish: Polished



Item #	Fixing	Box Qty
SG304B-P4A/32	Screw-On	400



**304B Mounting Plate w/Adjustment**

- Designed for Sugatsune's 304B hinges
- 32mm c/c
- Oblong holes allow for 4mm adjustment
- Made of 304 stainless steel for superior corrosion resistance
- Finish: Polished



Item #	Fixing	Box Qty
SG304B-P4A/32-3W	Screw-On	400

**SECTION C - TABLE OF CONTENTS**

**Section C Contents:**

Blum AVENTOS Lift Systems.....2-21  
 Grass KINVARO Lift Systems..... 22-27  
 Grass TIOMOS Flap Hinges..... 28  
 Salice WIND Lift Systems ..... 29  
 Salice PACTA Hinges ..... 30  
 Stays..... 31-37  
 Institutional Hinges ..... 38-41  
 Piano & Barrel Hinges..... 42  
 SOSS Invisible Hinges ..... 43  
 Concealed Hinges ..... 44  
 Wrap & Demountable Hinges..... 45  
 Face Mount Hinges..... 46  
 Full Inset Hinges..... 47  
 Pin/Knife Hinges ..... 48-49  
 Pivot & Butt Hinges..... 50  
 Glass Door Hinges..... 51  
 Specialty Hinges ..... 52



A  
B  
**C**  
D  
E  
F  
G  
H  
I  
J  
K  
L  
M  
N  
O  
P  
Q  
R  
S  
T  
U  
V  
W  
X  
Y



NOTE: Some of the items in this section are not available in all markets. Please contact your Würth Louis and Company representative for more information.

A  
B  
C  
D  
E  
F  
G  
H  
I  
J  
K  
L  
M  
N  
O  
P  
Q  
R  
S  
T  
U  
V  
W  
X  
Y

**BLUM® AVENTOS LIFT SYSTEMS**



**AVENTOS HF - Bi-Fold Door**



- Well suited for large cabinets
- For both panel and face frame applications
- Cabinet height from 479mm (18-7/8") to 1067mm (42")
- Cabinet width from 381mm (15") to 1828mm (72")
- Interior depth minimum 278mm (10-15/16")
- Includes a finger safety feature
- Three-dimensional adjustment feature enables doors to be precisely aligned
- Closes silently and effortlessly with BLUMOTION
- Power Factor = Cabinet Height x Door Weight



**Lift Mechanism Sets**

Includes (2) lift mechanisms and (8) #7 x 35mm (1-3/8") wood screws

	Item #	Power Factor Range
A	B20F2200.N5	85 -230 (one lift mechanism required)
	B20F2200.N5	231 - 470 (two lift mechanisms required)
	B20F2500.N5	471 - 880 (two lift mechanisms required)
	B20F2800.N5	881 - 1440 (two lift mechanisms required)
	B20F2800.N5	1441 - 2300 (three lift mechanisms required)



**Cover Sets**

Includes right and left cover plate, and (2) non-handed cover caps

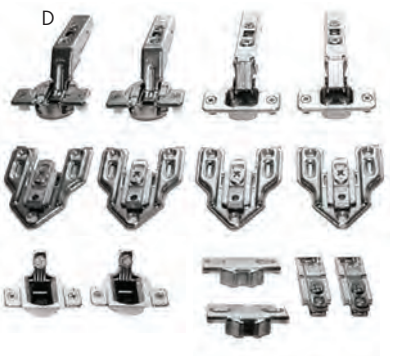
	Item #	Finish
B	B20F8020NA-HGIG	Light Gray
	B20F8020NA-SWIG	Silk White
	B20F8020NA-TGIG	Dark Gray



**Telescopic Arm Sets**

Includes (2) telescopic arms

	Item #	Cabinet Height Range
C	B20F3200.01	479mm (18-7/8") - 558mm (22")
	B20F3500.01	558mm (22") - 686mm (27")
	B20F3800.01	686mm (27") - 889mm (35")
	B20F3900.01	889mm (35") - 1067mm (42")



**Wood or Wide Aluminum Door Hardware Set**

Includes (2) CLIP top 120° free swing hinges, (2) COMPACT 33° free swing hinges, (2) CLIP top bottom door hinges, (2) COMPACT mounting plates, (4) face frame adapters, and (2) telescopic arm mounting plates

	Item #	Description
D	B78Z5530TA8	Wood or Wide Aluminum Hardware Set



**Mounting Plate with Bracket Set**

	Item #	Description
E	B175H3F00	Right and Left Mounting Plate with Bracket

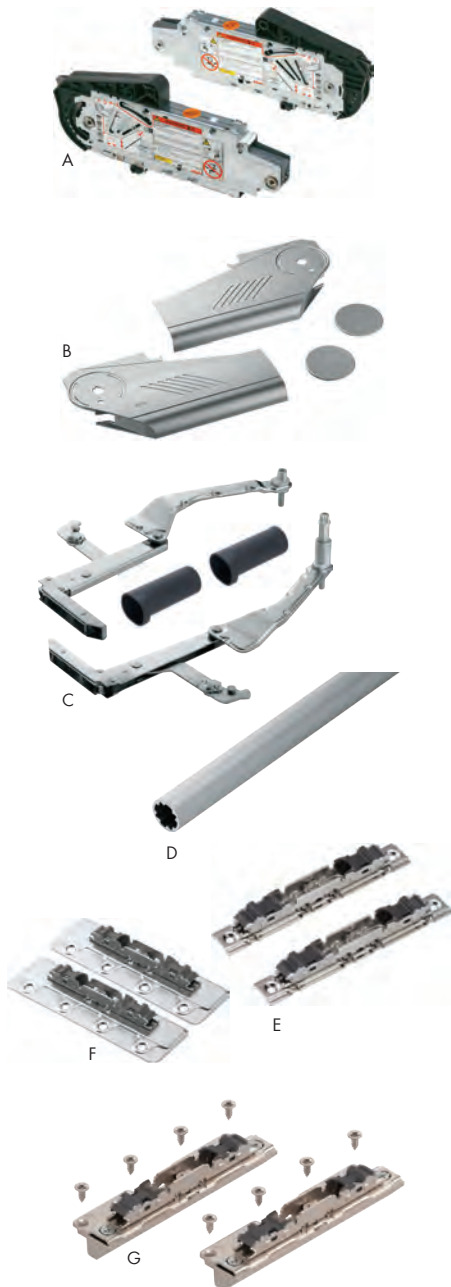
**BLUM® AVENTOS LIFT SYSTEMS**



**AVENTOS HS - Up & Over Door**



- 9 different lift mechanisms and one lever arm
- Can be used with cornice and crown mouldings
- Lift mechanisms and front fixing brackets can be used symmetrically
- For wood and aluminum face fronts
- Tool-free cross stabilizer for even greater ease of assembly



**Lift Mechanism Set**

Includes (2) lift mechanisms and (10) #7 x 35mm (1-3/8") wood screws

Item #	Door Weight Range	Cabinet Height
B20S2A00.N5	4-10 lb	14" - 20"
B20S2B00.N5	8-20 lb	14" - 20"
B20S2C00.N5	16-33 lb	14" - 20"
B20S2D00.N5	6-14 lb	21" - 26"
B20S2E00.N5	11-27 lb	21" - 26"
B20S2F00.N5	23-41 lb	21" - 26"
B20S2G00.N5	7-17 lb	27" - 31"
B20S2H00.N5	14-29 lb	27" - 31"
B20S2I00.N5	26-47 lb	27" - 31"

**Cover Sets - Includes right and left cover plate and (2) non-handed cover caps**

Item #	Finish
B20S8020NA-HGIG	Light Gray
B20S8020NA-SWIG	Silk White
B20S8020NA-TGIG	Dark Gray

**Arm Assembly Set - Includes right and left arm assembly and (2) stabilizer rod cover caps**

Item #	Description
C B20S3500.06	AVENTOS HS Cover Set

**Round Stabilizer Rod**

Item #	Description
D B20Q1061UN	1061mm (41-3/4") aluminum rod

**Wood or Wide Aluminum Door Hardware Set**

Item #	Description
E B20S4200	Arm Assembly Mounting Plates (qty 2)

**Mounting Plate with Bracket Set**

Item #	Description
F B20S4F01	Mounting Plate with Bracket (qty 2)

**Narrow Aluminum Door Hardware Set**

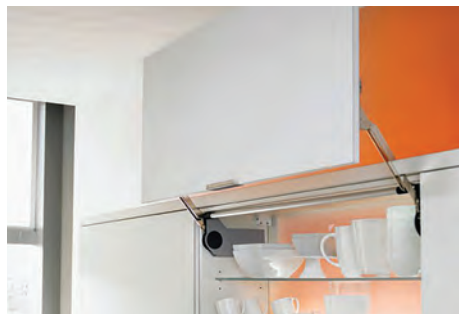
Includes (8) aluminum screws for lever arm mounting plate

Item #	Description
G B20S4200A	Narrow aluminum arm assembly plate (qty 2)

A  
B  
C  
D  
E  
F  
G  
H  
I  
J  
K  
L  
M  
N  
O  
P  
Q  
R  
S  
T  
U  
V  
W  
X  
Y

A  
B  
C  
D  
E  
F  
G  
H  
I  
J  
K  
L  
M  
N  
O  
P  
Q  
R  
S  
T  
U  
V  
W  
X  
Y

**BLUM® AVENTOS LIFT SYSTEMS**



**AVENTOS HL - Lift Up Door**



- Suited for wall cabinets and/or as an appliance garage application
- For both panel and face frame application
- Cabinet height from 300mm (11-13/16") to 580mm (22-13/16")
- Cabinet width from 381mm (15") to 1828mm (72")
- Interior cabinet depth minimum of 278mm (10-15/16")
- Closes silently and effortlessly with BLUMOTION
- Simple, virtually tool-free assembly and easy adjustment



**Lift Mechanism Sets**

Includes (2) lift mechanisms and (10) #7 x 35mm (1-3/8") wood screws

Item #	Door Wt. Range	Cabinet Height
B20L2100.N5	2-8 lb	11-13/16" - 15-11/16"
B20L2300.N5	2-13 lb	11-13/16" - 22-13/16"
B20L2500.N5	3-25 lb	11-13/16" - 22-13/16"
B20L2700.N5	10-44 lb	11-13/16" - 22-13/16"
B20L2900.N5	19-44 lb	13-13/16" - 22-13/16"

**Cover Sets** - Includes right and left cover plate and (2) non-handed cover caps

Item #	Finish
B20L8020NA-HGIG	Light Gray
B20L8020NA-SWIG	Silk White
B20L8020NA-TGIG	Dark Gray

**Arm Assembly Sets**

Includes right and left arm assembly and (2) stabilizer rod cover caps

Item #	Cabinet Height Range
B20L3200.06	11-13/16" - 13-3/4"
B20L3500.06	13-13/16" - 15-13/16"
B20L3800.06	15-3/4" - 21-5/8"
B20L3900.06	17-11/16" - 22-13/16"

**Oval Stabilizer Rod**

Item #	Description
D B20Q1061UA	1061mm (41-3/4") Aluminum Rod

**Wood or Wide Aluminum Door Hardware Set**

Item #	Description
E B20S4200	Arm Assembly Mounting Plates (qty 2)

**Mounting Plate with Bracket Set**

Item #	Description
F B20S4F01	Mounting Plate with Bracket (qty 2)

**Narrow Aluminum Door Hardware Set**

Includes (8) aluminum screws for lever arm mounting plate

Item #	Description
G B20S4200A	Narrow aluminum arm assembly plate (qty 2)

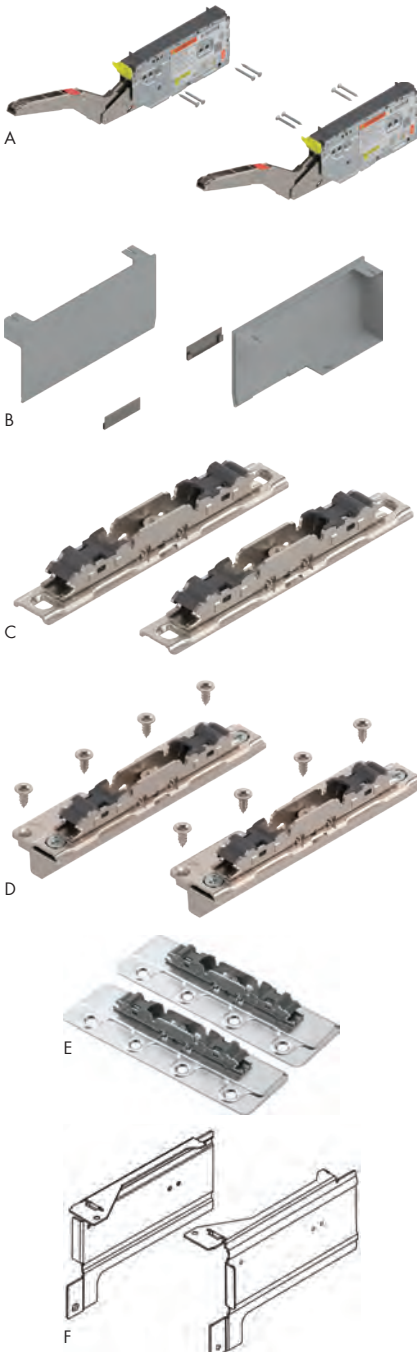
**BLUM® AVENTOS LIFT SYSTEMS**



**AVENTOS HK top - Stay Lift Door**



- Self-positioning mechanism with locating template eliminates complicated installation
- Integrated opening angle adjustment between 75° and 107°
- Cabinet height from 250mm (10") to 610mm (24")
- Cabinet width range 381mm (15") to 1828mm (72")
- Interior cabinet depth minimum of 187mm (7-3/8")



**Lift Mechanism Sets - Includes (2) lift mechanisms and (8) #7 x 1-3/8" wood screws**

Item #	Power Factor Range	Opening Angle
B22K2300	36 - 139	107°
B22K2500	80 - 240	107°
B22K2700	150 - 450	107°
B22K2900	270 - 781	107°

**Cover Sets - Includes right/left cover plates and (2) non-handed cover caps**

Item #	Finish
B22K8000.NAHG	Light Gray
B22K8000.NASW	Silk White
B22K8000.NATG	Dark Gray

**Wood or Wide Aluminum Door Hardware Set - Includes (2) arm assembly mounting plates**

Item #	Description
B20S4200	Wood or Wide Aluminum Door Hardware Set

**Narrow Aluminum Door Hardware Set - Includes (2) arm assembly mounting plates and (8) screws**

Item #	Description
B20S4200A	Narrow Aluminum Door Hardware Set

**Mounting Plate with Bracket Set - Includes (2) mounting plates with brackets**

Item #	Description
B20S4F01	For use with large overlay 5-piece doors

**Face Frame Mounting Bracket Set - Includes right/left brackets and M4 x 30 lift mounting screws**

Item #	Description
B22K6001	HK top frame mounting bracket set

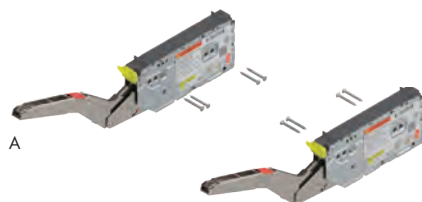
A  
B  
C  
D  
E  
F  
G  
H  
I  
J  
K  
L  
M  
N  
O  
P  
Q  
R  
S  
T  
U  
V  
W  
X  
Y

A  
B  
C  
D  
E  
F  
G  
H  
I  
J  
K  
L  
M  
N  
O  
P  
Q  
R  
S  
T  
U  
V  
W  
X  
Y

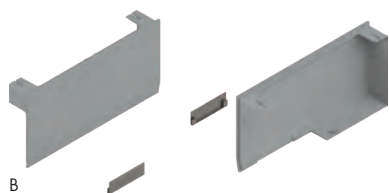
**BLUM AVENTOS LIFT SYSTEMS**

**AVENTOS HK top TIP-ON**

TIP-ON sets for Doors can be found on page C-11



<b>Lift Mechanism Sets</b> - Includes (2) lift mechanisms and (8) #7 x 1-3/8" wood screws		
Item #	Power Factor Range	Opening Angle
B22K2300T	36 - 139	107°
B22K2500T	80 - 240	107°
B22K2700T	150 - 450	107°
B22K2900T	270 - 781	107°



<b>Cover Sets</b> - Includes right/left cover plates and (2) non-handed cover caps	
Item #	Finish
B22K8000.NAHG	Light Gray
B22K8000.NASW	Silk White
B22K8000.NATG	Dark Gray



<b>Wood or Wide Aluminum Door Hardware Set</b> - Includes (2) arm assembly mounting plates	
Item #	Description
B20S4200	Wood or Wide Aluminum Door Hardware Set



<b>Narrow Aluminum Door Hardware Set</b> - Includes (2) arm assembly mounting plates and (8) screws	
Item #	Description
B20S4200A	Wood or Wide Aluminum Door Hardware Set



**BLUM® AVENTOS LIFT SYSTEMS**

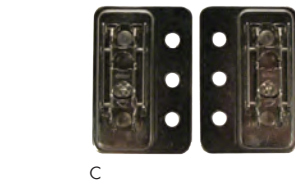
A  
B  
C  
D  
E  
F  
G  
H  
I  
J  
K  
L  
M  
N  
O  
P  
Q  
R  
S  
T  
U  
V  
W  
X  
Y



**AVENTOS HK-S - Stay Lift Door**



- Suited for small wall cabinets and/or above a pantry or refrigerator
- For both panel and face frame applications
- Cabinet height from 186mm (7-3/8") to 610mm (24")
- Cabinet width from 381mm (15") to 1828mm (72")
- Interior cabinet depth minimum of 165mm (6-1/2")
- Closes silently and effortlessly with BLUMOTION
- Simple, virtually tool-free assembly and easy adjustment
- Power Factor = Cabinet Height x Door Weight



**Lift Mechanism Sets** - Includes (2) lift mechanisms, left and right cover plates, (2) non-handed cover caps, and (6) #7 x 35 (1-3/8") wood screws

Item #	Finish	Power Factor Range
B20K2B00N6-HGIG	Light Gray	19 - 39
B20K2B00N6-SWIG	Silk White	19 - 39
B20K2B00N6-TGIG	Dark Gray	19 - 39
B20K2C00N6-HGIG	Light Gray	40 - 85
B20K2C00N6-SWIG	Silk White	40 - 85
B20K2C00N6-TGIG	Dark Gray	40 - 85
B20K2E00N6.HGIG	Light Gray	86 - 177
B20K2E00N6-SWIG	Silk White	86 - 177
B20K2E00N6-TGIG	Dark Gray	86 - 177

**Wood or Wide Aluminum Door Hardware Set**

Item #	Description
B175H3100-HKS	Arm Assembly Mounting Plates (qty 2)

**Mounting Plate with Bracket Set**

Item #	Description
B175H3F00	Right and Left Mounting Plate with Bracket

**Narrow Aluminum Door Hardware Set**

Includes (8) aluminum screws for lever arm mounting plate

Item #	Description
B20K4A00A02	Narrow aluminum arm assembly plate (qty 2)

A  
B  
C  
D  
E  
F  
G  
H  
I  
J  
K  
L  
M  
N  
O  
P  
Q  
R  
S  
T  
U  
V  
W  
X  
Y

**BLUM AVENTOS LIFT SYSTEMS**



**AVENTOS HK-S TIP-ON**

TIP-ON Sets for Doors can be found on page C-11



**Lift Mechanism Sets**

Set Includes:

- Lift mechanism (qty 2)
- #7 x 1-3/8" (35mm) wood screws (qty 10)
- Power Factor = Cabinet Height x Door Weight

Item #	Finish	Power Factor Range
B20K2B00TN6-HGIG	Light Gray	19 - 39
B20K2B00TN6-SWIG	Silk White	19 - 39
B20K2B00TN6-TGIG	Dark Gray	19 - 39
B20K2C00TN6-HGIG	Light Gray	40 - 85
B20K2C00TN6-SWIG	Silk White	40 - 85
B20K2C00TN6-TGIG	Dark Gray	40 - 85
B20K2E00TN6-HGIG	Light Gray	86 - 177
B20K2E00TN6-SWIG	Silk White	86 - 177
B20K2E00TN6-TGIG	Dark Gray	86 - 177



**Wood or Wide Aluminum Door Hardware Set**

Set Includes:

- Arm assembly mounting plate (qty 2)



<b>Item #</b>
B175H3100

**Narrow Aluminum Door Hardware Set**

Set Includes:

- Arm assembly mounting plates (qty 2)
- Aluminum screws for narrow aluminum lever arm mounting plates (qty 4)

<b>Item #</b>
B20K4A00A02

**BLUM® AVENTOS LIFT SYSTEMS**



**AVENTOS HK-XS - Stay Lift Door**



- Suited for small wall cabinets and/or above a pantry or refrigerator
- For both panel and face frame applications
- Cabinet height from 238mm (9-3/8") to 610mm (24")
- Cabinet width up to 1828mm (72")
- Interior cabinet depth minimum of 127mm (5")
- Closes silently and effortlessly with BLUMOTION
- Simple, virtually tool-free assembly and easy adjustment
- Power Factor = Cabinet Height x Door Weight



A



B



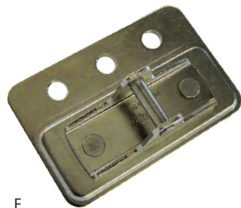
C



D



E



F

**Lift Mechanisms**

	Item #	Power Factor Range (1 Lift)	Power Factor Range (2 Lifts)
A	B20K1101	17 - 60	34 - 120
	B20K1301	61 - 112	121 - 224
	B20K1501	113 - 156	225 - 312

**Cabinet Mounting Plates**

	Item #	Description
B	B20K5101	Screw-on (Panel Application)
	B20K51E1	EXPANDO (Panel Application)
	B20K5501	Screw-on (Faceframe Application)

**Door Mounting Plates**

	Item #	Description
D	B20K4101	Screw-on
E	B20K4101A	Screw-on (Narrow aluminum frame doors)
F	B20K4501	Screw-on (Large overlay five-piece doors)

A  
B  
C  
D  
E  
F  
G  
H  
I  
J  
K  
L  
M  
N  
O  
P  
Q  
R  
S  
T  
U  
V  
W  
X  
Y

A  
B  
C  
D  
E  
F  
G  
H  
I  
J  
K  
L  
M  
N  
O  
P  
Q  
R  
S  
T  
U  
V  
W  
X  
Y

**BLUM AVENTOS LIFT SYSTEMS**



**AVENTOS HK-XS TIP-ON**

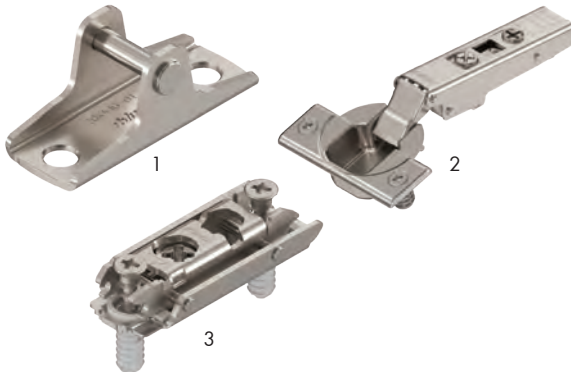
- TIP-ON Sets for Doors can be found on page C-11
- Power Factor = Cabinet Height x Door Weight



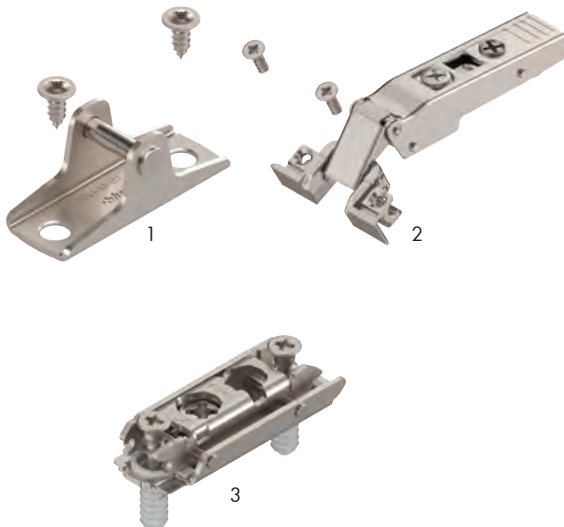
Lift Mechanisms		
Item #	Power Factor Range (1 lift)	Power Factor Range (2 lifts)
B20K1101T	17 - 60	34 - 120
B20K1301T	41 - 112	121 - 224
B20K1501T	113 - 156	225 - 312



Cabinet Mounting Plates	
Item #	Description
B20K5101	Screw-On
B20K51E1	EXPANDO



Wood and Wide Aluminum Door Hardware		
Item #	Description	
1	B20K4101	Door Mounting Plate
2	B70T358	CLIP top 110° Free Swing Dowelled Hinge
3	B177H3100E	EXPANDO Mounting Plate



Narrow Aluminum Door Hardware		
Item #	Description	
1	B20K4101A	Door Mounting Plate
2	B72T550A.TL	CLIP top 110° Free Swing Dowelled Hinge
3	B177H3100E	EXPANDO Mounting Plate

**BLUM AVENTOS ACCESSORIES**



**TIP-ON Set for Standard Door**



- Nylon unit with magnetic tip
- Adjustment range +4mm to -1 mm
- For use with Blum Euro free swing hinges
- For door heights up to 400mm (15-3/4")
- Works for both overlay and inset applications
- Can be bored into the panel or used with an adapter plate
- Set includes: TIP-ON unit, self-adhesive catch plate, screw-on catch plate, and wood screw

Item #	Finish
B956.1004	Gray
B956.1004BL	Black
B956.1004WH	White



**TIP-ON Set for Large Door**

- Nylon unit with magnetic tip
- Adjustment range +4mm to -1 mm
- For use with Blum Euro free swing hinges
- For door heights greater than 400mm (15-3/4")
- Works for both overlay and inset applications
- Can be bored into the panel or used with an adapter plate
- Set includes: TIP-ON unit, self-adhesive catch plate, screw-on catch plate, and wood screw

Item #	Finish
B956A1004	Gray
B956A1004BL	Black
B956A1004WH	White

A  
B  
C  
D  
E  
F  
G  
H  
I  
J  
K  
L  
M  
N  
O  
P  
Q  
R  
S  
T  
U  
V  
W  
X  
Y

**A BLUM AVENTOS ACCESSORIES**

B  
C  
D  
E  
F  
G  
H  
I  
J  
K  
L  
M  
N  
O  
P  
Q  
R  
S  
T  
U  
V  
W  
X  
Y



**AVENTOS HF Angle Restriction Clips**



- Restricts opening angle of the door
- Prevents the door from hitting an object above or keeps the handle within reach on high cabinets
- One required per lift mechanism
- Must be installed prior to the reference run in SERVO-DRIVE applications

Item #	Description
B20F7051	104° Restriction Clip
B20K7011	83° Restriction Clip



**AVENTOS HK-S Angle Restriction Clips**

- Restricts opening angle of the door
- Prevents the door from hitting an object above or keeps the handle within reach on high cabinets
- One required per lift mechanism

Item #	Description
B20K7A41	100° Restriction Clip
B20K7A11	75° Restriction Clip

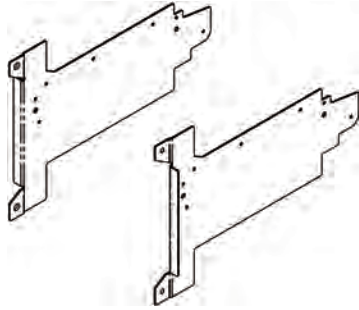
Visit us on our website: [wurthlac.com](http://wurthlac.com)

**BLUM AVENTOS ACCESSORIES**

**AVENTOS Face Frame Mounting Brackets**



- Provides a fast and easy way to install AVENTOS in face frame cabinets without the need to block out
- Provides an accurate mounting location in the cabinet for the lift mechanism to simply mount to the bracket with the supplied mounting screws

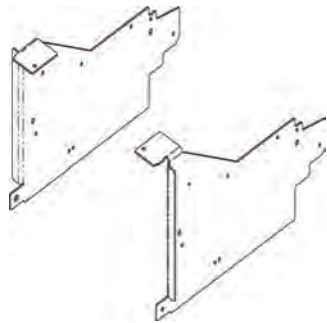


**AVENTOS HF Face Frame Mounting Bracket Set**

- Brackets for mounting AVENTOS HF in face frame cabinets
- Minimum recess of 1/2" (12.5mm)
- Set Includes:
  - Right and left brackets
  - M4 x 30mm lift mounting screws (qty 12)

<b>Item #</b>
B20F6001

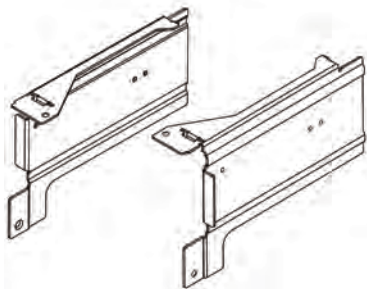
A  
B  
C  
D  
E  
F  
G  
H  
I  
J  
K  
L  
M  
N  
O  
P  
Q  
R  
S  
T  
U  
V  
W  
X  
Y



**AVENTOS HL Face Frame Mounting Bracket Set**

- Brackets for mounting AVENTOS HL in face frame cabinets
- Minimum recess of 9/19" (15.5mm)
- Set Includes:
  - Right and left brackets
  - M4 x 30mm lift mounting screws (qty 12)

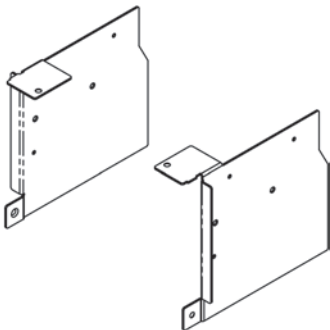
<b>Item #</b>
B20L6001



**AVENTOS HK top Face Frame Mounting Bracket Set**

- Brackets for mounting AVENTOS HK top in face frame cabinets
- Minimum recess of 1/2" (12.5mm)
- Set Includes:
  - Right and left brackets
  - M4 x 30mm lift mounting screws (qty 12)

<b>Item #</b>
B22K6001



**AVENTOS HK-S Face Frame Mounting Bracket Set**

- Brackets for mounting AVENTOS HK-S in face frame cabinets
- Minimum recess of 1/2" (12.5mm)
- Set Includes:
  - Right and left brackets
  - M4 x 30mm lift mounting screws (qty 12)

<b>Item #</b>
B20K6A01

**A BLUM AVENTOS ACCESSORIES**

B  
C  
D  
E  
F  
G  
H  
I  
J  
K  
L  
M  
N  
O  
P  
Q  
R  
S  
T  
U  
V  
W  
X  
Y



**AVENTOS Stabilizer Rod Connector Sets**



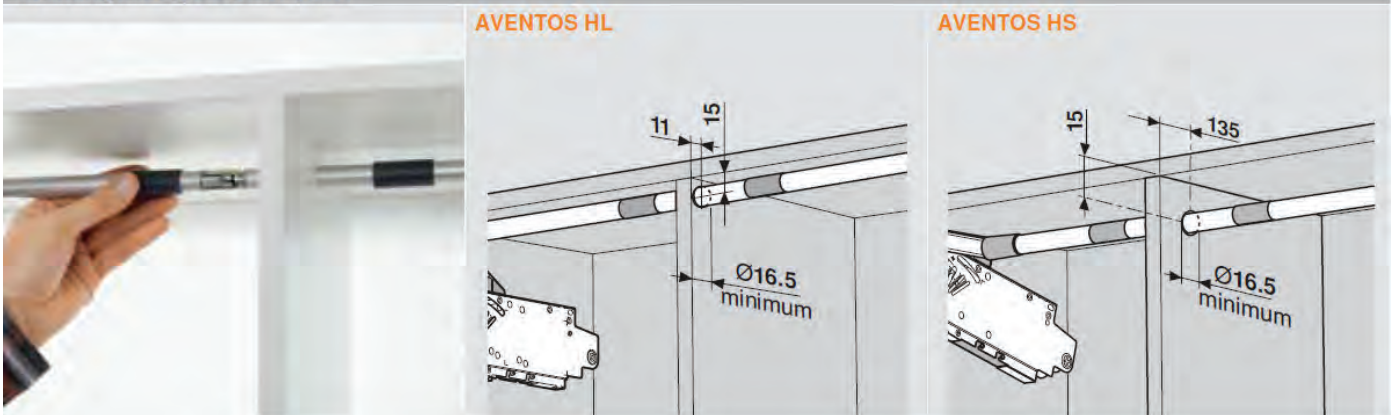
- Set Includes:
  - Connector rod
  - Oval cover cap (qty 2)
  - Top mounting hook
- Cut rods to inside cabinet width divided by 2 minus 5-13/16" (147mm) for SERVO-DRIVE minus 6-1/2" (165mm)

NOTE: Cabinets wider than 46.5" require rod connector set.

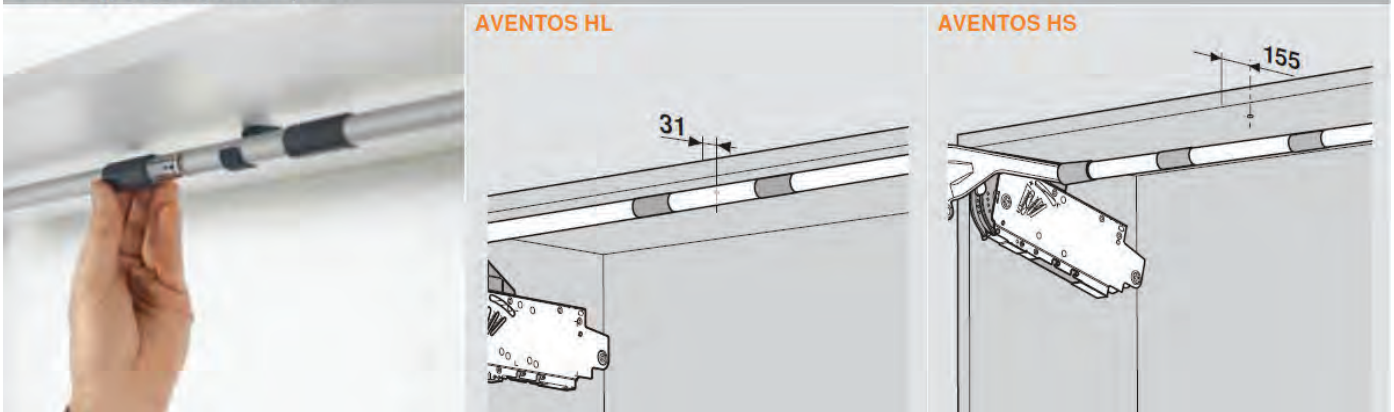


Item #	Description
1	B20Q153ZA AVENTOS HL Rod Connector Set
2	B20Q153ZN AVENTOS HS Rod Connector Set

**Mounting through a center panel**

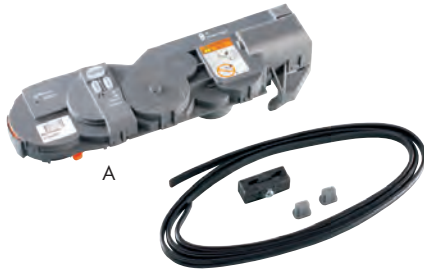


**Mounting without a center panel**





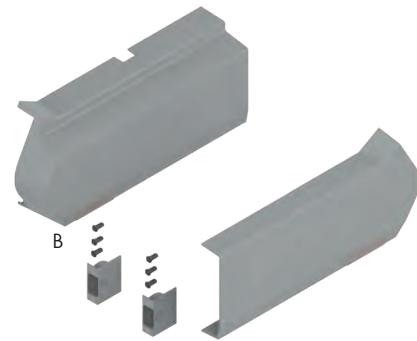
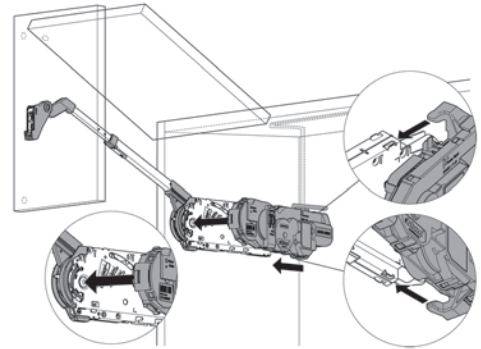
**BLUM SERVO-DRIVE FOR AVENTOS**



**AVENTOS HF SERVO-DRIVE Set**

- A) Set Includes:
- Drive unit
  - 60" universal cable
  - Cable connector
  - Cable end protector (qty 2)

<b>Item #</b>
B21FA000



**AVENTOS HF Cover Sets**

- B) Set Includes:
- SERVO-DRIVE cover plate (left)
  - Cover plate (right)
  - Non-handed cover caps (qty 2)
  - SERVO-DRIVE switches (qty 2)
  - 5mm Blum distance bumpers (qty 6)

Item #	Finish
B21F8020NA-HGIG	Light Gray
B21F8020NA-SWIG	Silk White
B21F8020NA-TGIG	Dark Gray



A  
B  
C  
D  
E  
F  
G  
H  
I  
J  
K  
L  
M  
N  
O  
P  
Q  
R  
S  
T  
U  
V  
W  
X  
Y

**POWER SUPPLY OPTIONS ON PAGE C-19**

**A BLUM SERVO-DRIVE FOR AVENTOS**



**AVENTOS HS SERVO-DRIVE Set**

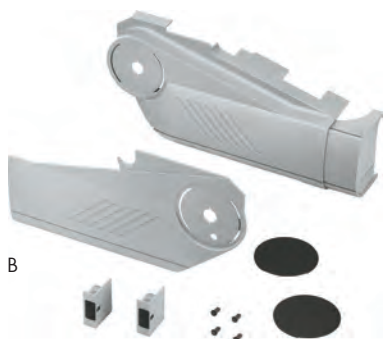


A) Set Includes:

- Drive unit
- 60" universal cable
- Cable connector
- Cable end protector (qty 2)

<b>Item #</b>
B21FA000

**H IVENTOS HS Cover Sets**



B) Set Includes:

- SERVO-DRIVE cover plate (left)
- Cover plate (right)
- Non-handed cover caps (qty 2)
- SERVO-DRIVE switches (qty 2)
- 5mm Blum distance bumpers (qty 6)

Item #	Finish
B21S8020NA-HGIG	Light Gray
B21S8020NA-SWIG	Silk White
B21S8020NA-TGIG	Dark Gray



**S T AVENTOS HS Arm Assembly Set**



C) Set Includes:

- SERVO-DRIVE arm assembly (left)
- Standard arm assembly (right)
- Stabilizer rod cover cap (qty 2)

NOTE: Stabilizer rod cutting dimension for SERVO-DRIVE application is length = interior cabinet width minus 6-7/16" (164mm).

<b>Item #</b>
B21S3500.01

**POWER SUPPLY OPTIONS ON PAGE C-19**

**BLUM SERVO-DRIVE FOR AVENTOS**

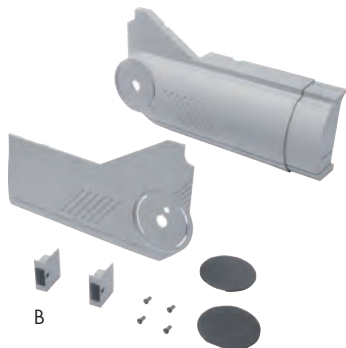
A  
B  
C  
D  
E  
F  
G  
H  
I  
J  
K  
L  
M  
N  
O  
P  
Q  
R  
S  
T  
U  
V  
W  
X  
Y



**AVENTOS HL SERVO-DRIVE Set**

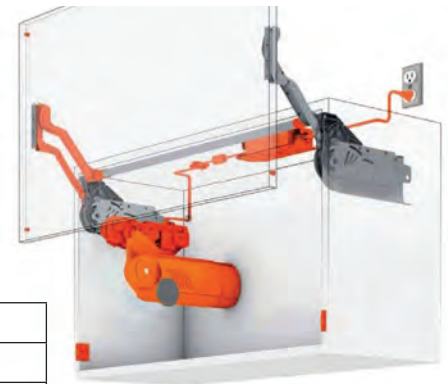
- A) Set Includes:
- Drive unit
  - 60" universal cable
  - Cable connector
  - Cable end protector (qty 2)

Item #
B21FA000

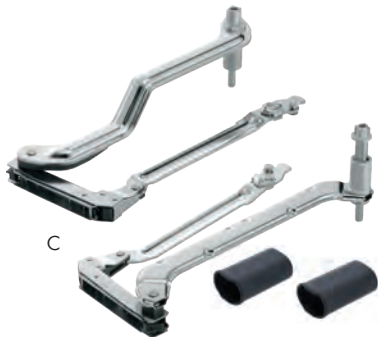


**AVENTOS HL Cover Sets**

- B) Set Includes:
- SERVO-DRIVE cover plate (left)
  - Cover plate (right)
  - Non-handed cover caps (qty 2)
  - SERVO-DRIVE switches (qty 2)
  - 5mm Blum distance bumpers (qty 6)



Item #	Finish
B21L8020NA-HGIG	Light Gray
B21L8020NA-SWIG	Silk White
B21L8020NA-TGIG	Dark Gray



**AVENTOS HL Arm Assembly Sets**

- C) Set Includes:
- SERVO-DRIVE arm assembly (left)
  - Standard arm assembly (right)
  - Stabilizer rod cover cap (qty 2)

NOTE: Stabilizer rod cutting dimension for SERVO-DRIVE application is length = interior cabinet width minus 6-7/16" (164mm).

Item #	Cabinet Height
B21L3200.01	300mm to 349mm
B21L3500.01	350mm to 399mm
B21L3800.01	400mm to 550mm
B21L3900.01	450mm to 580mm

**POWER SUPPLY OPTIONS ON PAGE C-19**

**A BLUM SERVO-DRIVE FOR AVENTOS**



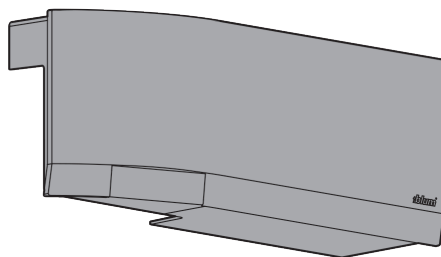
**AVENTOS HK top SERVO-DRIVE Set**



- A) Set Includes:
- Drive unit
  - 60" universal cable
  - Cable connector
  - Cable end protector (qty 2)

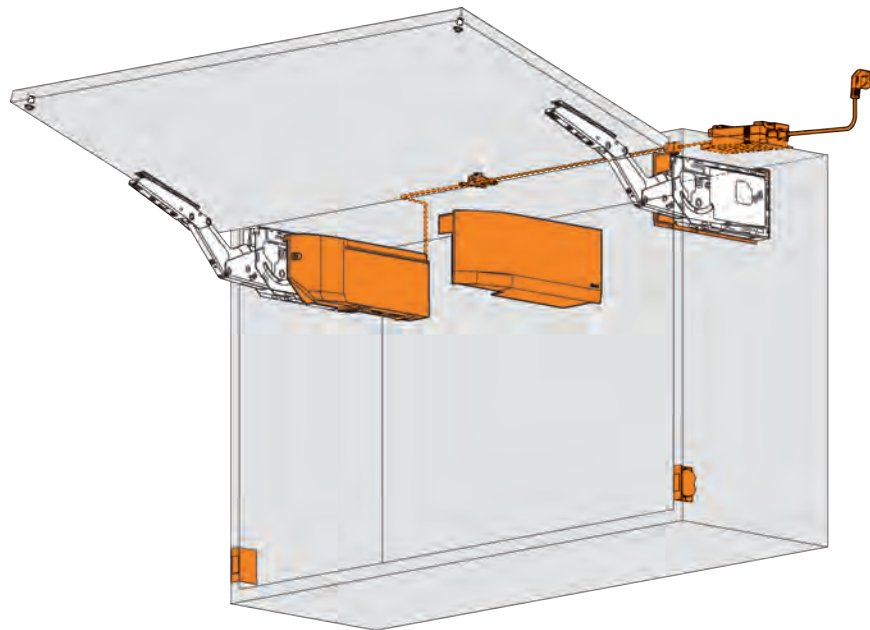
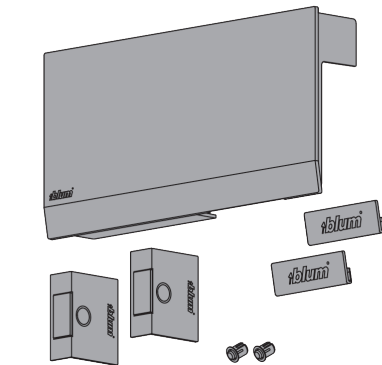
Item #
B23KA000

**H IVENTOS HK top Cover Sets**



- B) Set Includes:
- SERVO-DRIVE cover plate (left)
  - Cover plate (right)
  - Non-handed cover caps (qty 2)
  - SERVO-DRIVE switches (qty 2)
  - 5mm Blum distance bumpers (qty 2)

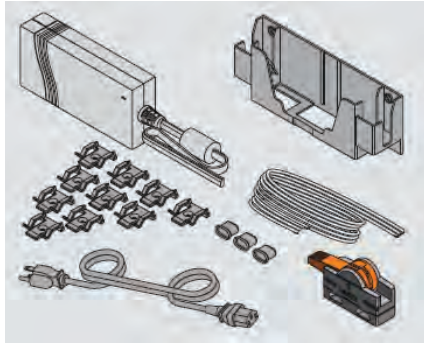
Item #	Finish
B23K8000NA-HGIG	Light Gray
B23K8000NA-SWIG	Silk White
B23K8000NA-TGIG	Dark Gray



**POWER SUPPLY OPTIONS ON PAGE C-19**

**BLUM SERVO-DRIVE FOR AVENTOS ELECTRICAL COMPONENTS**

A  
B  
C  
D  
E  
F  
G  
H  
I  
J  
K  
L  
M  
N  
O  
P  
Q  
R  
S  
T  
U  
V  
W  
X  
Y



**Power Supply Set**

- Set Includes:
  - Power supply
  - Wall mount bracket
  - Three-prong power cord
  - Cable connector
  - Cable end protector (qty 3)
  - Cable clips (qty 10)
  - 19 feet of universal cable



<b>Item #</b>
BZ10NE03UG10



**SERVO-DRIVE Power Supply Components**

- Supplies power for up to 16 drive units
- Energy Star Level VI
- UL certified
- Connect to switched GFCI outlet
- Cable length is six feet
- Three-prong power cord required



Item #	Description
BZ10NE030G	Power Supply
BZ10M200U	Three-prong Power Cord



**SERVO-DRIVE uno Power Supply**

- Supplies power to a single drive unit
- 44" power cord
- Extendable up to 6 feet using cable connectors (sold separately)



<b>Item #</b>
BZ10NA30UGF



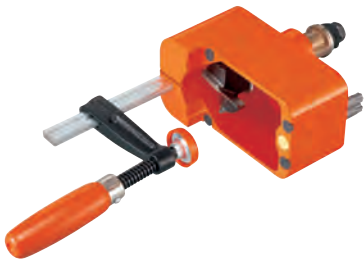
**SERVO-DRIVE Switch**

- For adding additional activation switches to a SERVO-DRIVE for AVENTOS application
- Up to six switches can be added per drive unit
- Note: A switch can only be synchronized to one drive unit
- Comes in a set of 2



Item #	Finish
B23P5020-LG	Light Gray
B23P5020-SW	Silk White
B23P5020-DG	Dark Gray

**A BLUM AVENTOS ASSEMBLY AIDS**



**SERVO-DRIVE Switch Boring Template**

- For easy installation of SERVO-DRIVE for AVENTOS switch
- Clamp assembly for secure boring
- Set Includes:
  - 35mm bit
  - Torx driver bit (qty 2)



<b>Item #</b>
BM31.2000



**PLATEMATE**

- Boring template for all Blum face frame adapter plates
- Clamps to the frame with cam lever
- Adjustment knob accomodates face frame thickness of 5/8" to 1"
- Spacer screws allow quick use without measuring
- Set Includes:
  - 1) PLATEMATE Template
  - 2) 2.5mm Pilot Bit and Extension
  - 3) 5mm Stop Collar



<b>Item #</b>
B65.5030.01



**POZI DRIVER and Bits**

Item #	Description	Box Qty
BPD	#2 POZI DRIVER	20
BMAGHLDR	1/4" Magnetic Bit Holder	1
B2X1POZIBIT	#2 x 1" POZI Bit Insert	1

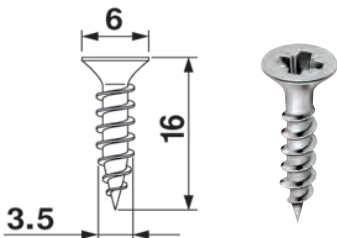


**3mm Vix Bit**

- For use in handheld drills



<b>Item #</b>
BPVPB5

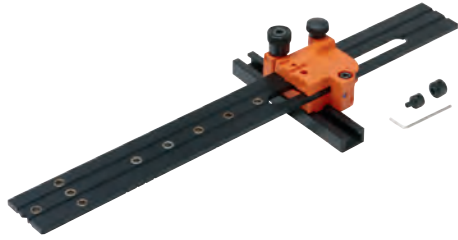


Screws		
Item #	Description	Box Qty
B606P-1000	#6 x 5/8", #2 POZI Wood Screw	1000



**BLUM AVENTOS ASSEMBLY AIDS**

A  
B  
C  
D  
E  
F  
G  
H  
I  
J  
K  
L  
M  
N  
O  
P  
Q  
R  
S  
T  
U  
V  
W  
X  
Y



**Universal Individual Template**

- Used for pre-boring holes for LEGRABOX, TANDEMBOX, and TANDEM drawer runners
- Can also be used to pre-bore for AVENTOS locating pins and pre-boring for hinge mounting plates
- Calibrated scales for accurate setting
- Set includes:
  - Universal individual template
  - 2.5mm stop collar
  - 5mm stop collar



<b>Item #</b>
B65.1051.02

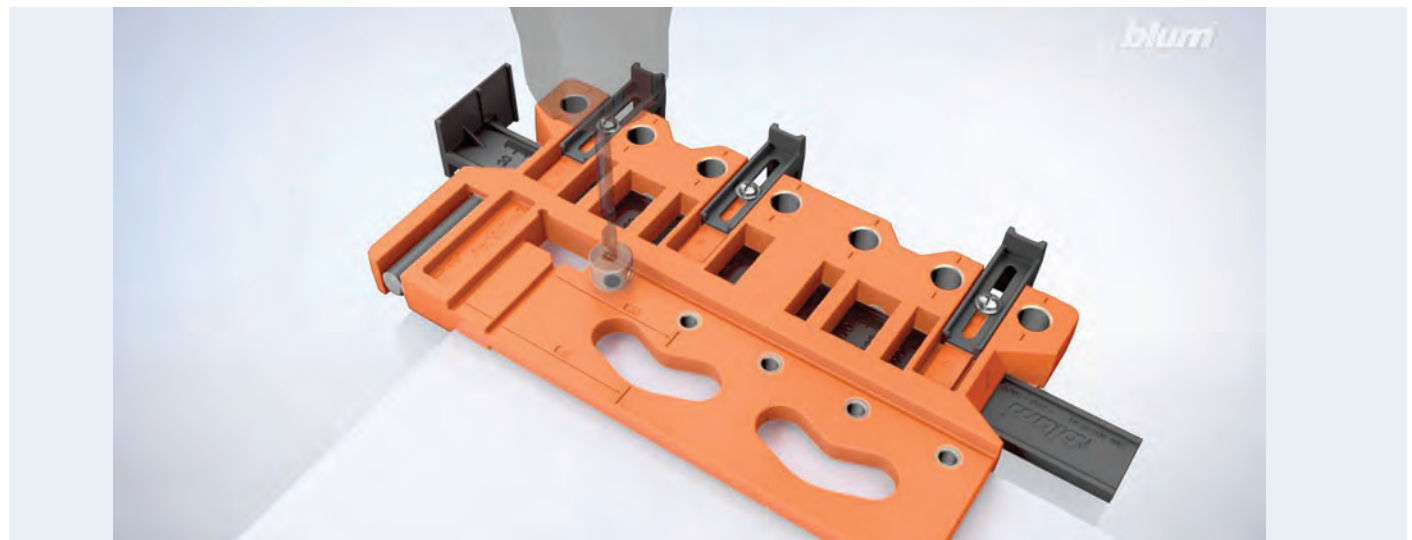


**Universal Boring Template**

- Used for boring drawer fronts and located all fixing positions
- Used to pre-bore for drawer fronts, bottoms and backs for LEGRABOX, TANDEMBOX, METABOX drawer systems, and AVENTOS mounting plates
- Set includes
  - Template
  - 5mm marking pin
  - 10mm marking pin
  - 5mm stop collar
  - 10mm stop collar



<b>Item #</b>
BZML.0040



A  
B  
C  
D  
E  
F  
G  
H  
I  
J  
K  
L  
M  
N  
O  
P  
Q  
R  
S  
T  
U  
V  
W  
X  
Y

## GRASS KINVARO LIFT SYSTEMS



### Kinvaro F-20 Bi-Fold Lifter



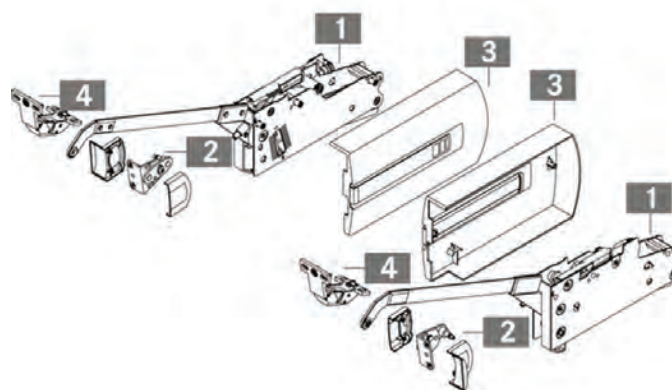
- Holds flap securely in any position
- Adjustable spring force
- Integrated adjustable closing damper
- Flap with 3-dimensional adjustment - height, side, angle: Direct adjustment  $\pm 1.5$  mm
- Hinge with 3-dimensional adjustment - height, side, and depth
- Opening limiter adjustable to  $90^\circ$
- Wide range of applications for many different flap materials
- Face Frame adapter available
- Weight 9.7 to 42.3 lbs.
- Range of flaps:  
Width: 15-3/4" - 47-1/4" (400mm - 1200mm)  
Height: 22-1/16" - 35-7/16" (560mm - 900mm)
- Cover caps in grey

Item #	Cabinet Height Range	Door Weight Range
<b>Spring B</b>		
GKIN152145238201	22-1/16" - 23-19/32" (560mm - 599mm)	9.7 - 27.8 lbs
<b>Spring C</b>		
GKIN152145241201	23-5/8" - 25-9/16" (600mm - 649mm)	15.0 - 34.8 lbs
GKIN152145243201	25-19/32" - 27-17/32" (650mm - 699mm)	14.8 - 37.3 lbs
GKIN152145244201	27-9/16" - 29-1/2" (700mm - 749mm)	14.3 - 36.2 lbs
<b>Spring D</b>		
GKIN152145247201	29-17/32" - 35-7/16" (750mm - 900mm)	14.3 - 42.3 lbs

Frame Adapters	
Item #	Description
GKIN151135906201	Face frame adapter (2x) for wood frames with fixing screws (8x)

#### Kinvaro F-20 Set includes:

1. Fitting, right and left (1)
  2. Screw-on bracket for wood, includes (2) cover caps
  3. Cover caps on right and left (1)
  4. Break away center hinges (2)
- Also includes (1) paper template, (1) installation instructions





**GRASS KINVARO LIFT SYSTEMS**



**Kinvaro L-80 Parallel Lifter**



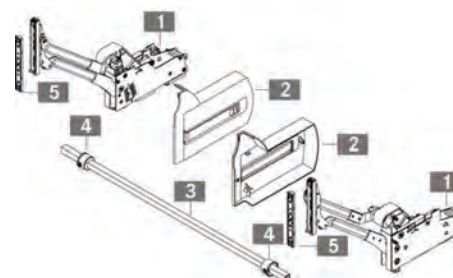
- Holds flap securely in any position
- Adjustable spring force
- Integrated adjustable closing damper
- Flap with 3-dimensional adjustment - height, side, angle: Direct adjustment  $\pm 1.5$  mm
- Wide range of applications for many different flap materials
- Face Frame adapter available
- Weight 4 to 32 lbs.
- Range of flaps:  
Width: 17-23/32" - 47-1/4" (450mm - 1200mm)  
Height: 13-25/32" - 23-5/8" (350mm - 600mm)
- Cover caps in grey

Item #	Cabinet Height Range	Door Weight Range
<b>Spring A</b>		
GKIN152145248201	13-25/32" - 14-17/32" (350mm - 369mm)	5.5 - 14.3 lbs
GKIN152147440201	14-9/16" - 15-5/16" (370mm - 389mm)	5.1 - 13.2 lbs
GKIN152147441201	15-11/32" - 16-3/32" (390mm - 409mm)	4.6 - 12.1 lbs
GKINF152147442201	16-1/8" - 16-7/8" (410mm - 429mm)	4.2 - 11.0 lbs
GKINF152147443201	16-15/16" - 23-5/8" (430mm - 600mm)	4.4 - 9.9 lbs
<b>Spring B</b>		
GKIN152147444201	13-25/32" - 14-17/32" (350mm - 369mm)	13.2 - 20.9 lbs
GKIN152145249201	14-9/16" - 15-5/16" (370mm - 389mm)	12.1 - 19.8 lbs
GKIN152145251201	15-11/32" - 16-3/32" (390mm - 409mm)	11.0 - 18.7 lbs
GKIN152145281201	16-1/8" - 16-7/8" (410mm - 429mm)	9.9 - 17.6 lbs
GKIN152145253201	16-15/16" - 23-5/8" (430mm - 600mm)	8.8 - 16.5 lbs
<b>Spring C</b>		
GKIN152145250201	14-9/16" - 15-5/16" (370mm - 389mm)	18.7 - 21.2 lbs
GKIN152145252201	15-11/32" - 16-3/32" (390mm - 409mm)	17.6 - 22.3 lbs
GKIN152145282201	16-1/8" - 16-7/8" (410mm - 429mm)	16.5 - 32.2lbs
GKIN152145254201	16-15/16" - 23-5/8" (430mm - 600mm)	15.4 - 32.2 lbs

<b>Frame Adapters</b>	
Item #	Description
GKIN151135906201	Face frame adapter (2x) for wood frames with fixing screws (8x)

**Kinvaro L-80 Set includes:**

1. Fitting, right and left (1)
  2. Cover caps on right and left (1)
  3. 1090mm cross bar for cutting to length (1)
  4. Sliding sleeves (2)
  5. Mounting plates (2)
- Also includes paper template (1) and installation instructions (1)



A  
B  
C  
D  
E  
F  
G  
H  
I  
J  
K  
L  
M  
N  
O  
P  
Q  
R  
S  
T  
U  
V  
W  
X  
Y

**A GRASS KINVARO LIFT SYSTEMS**

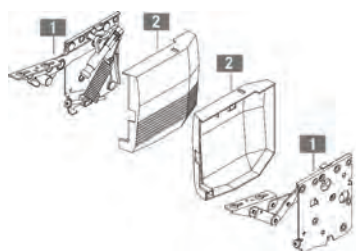
B  
C  
D  
E  
F  
G  
H  
I  
J  
K  
L  
M  
N  
O  
P  
Q  
R  
S  
T  
U  
V  
W  
X  
Y



**Kinvaro T-65 Lift-Up Flap Fitting**



- Weight 1.3 to 16.3 lbs.
- Variable opening angle - holds flap securely at any angle between 45° and 100°
- Adjustable spring force with integrated adjustable closing damper
- Adjustable flap height ±3.0 mm
- No hinges fitted to the top panel
- Range of Flaps: Width: Up to 47-1/4" x Height: 9-27/32" - 23-5/8"



Item #	Version for	Overlay
GKIN151147682201	Wood	Variable
Frame Adapters		
Item #	Description	
GKIN151135905201	Face frame adapter (2x) for wood frames with fixing screws (8x)	

**Kinvaro T-65 Set includes:**

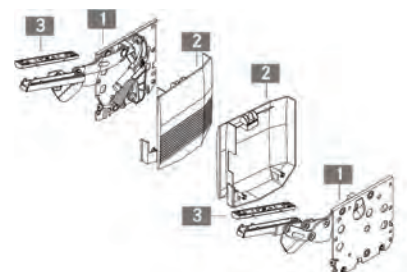
1. Fitting on the right without and on the left with damper (1)
  2. Cover caps on right and left (x)
- Also includes yellow loose springs (2), paper template (1) and installation instructions (1)



**Kinvaro T-71 Lift-Up Fitting**



- Weight 3.1 to 18.7 lbs.
- Variable opening angle - holds flap securely at any angle between 45° and 110°
- Adjustable spring force with integrated adjustable closing damper
- Flap 3 dimensionally adjustable - height, side, angle: direct adjustment ±1.5 mm
- No hinges fitted to the top panel
- Range of Flaps: Width: Up to 47-1/4" x Height: 11-13/16" - 23-5/8"



Item #	Version for	Overlay
GKIN151147696201	Wood	Variable
Frame Adapters		
Item #	Description	
GKIN151135905201	Face frame adapter (2x) for wood frames with fixing screws (8x)	

**Kinvaro T-71 Set includes:**

1. Fitting on the right without and on the left with damper (1)
  2. Cover caps on right and left (1)
  3. Mounting plates (2)
- Also includes orange loose springs (2), paper template (1) and installation instructions (1)

**GRASS KINVARO LIFT SYSTEMS**

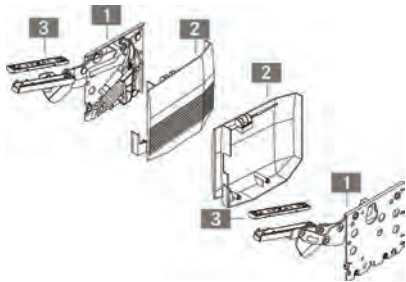
A  
B  
C  
D  
E  
F  
G  
H  
I  
J  
K  
L  
M  
N  
O  
P  
Q  
R  
S  
T  
U  
V  
W  
X  
Y



**Kinvaro T-76 Lift-Up Fitting**



- Weight 11.5 to 24.25 lbs.
- Variable opening angle - holds flap securely at any angle between 45° and 110°
- Adjustable spring force with integrated adjustable closing damper
- Flap 3 dimensionally adjustable - height, side, angle: direct adjustment ±1.5 mm
- No hinges fitted to the top panel
- Range of Flaps: Width: Up to 47-1/4" x Height: 15-3/4" to 23-5/8"



Item #	Version for	Overlay
GKIN151147706201	Wood	Variable
Frame Adapters		
Item #	Description	
GKIN151135905201	Face frame adapter (2x) for wood frames with fixing screws (8x)	

**Kinvaro T-76 Set includes:**

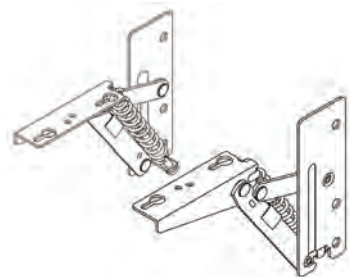
1. Fitting on the right without and on the left with damper (1)
  2. Cover caps on right and left (1)
  3. Mounting plates (2)
- Also includes orange loose springs (2), paper template (1) and installation instructions (1)



**Kinvaro T-57 Lift-Up Fitting**



- Opening angle adjustable to 75° or 90°
- Adjustable spring force
- Adjustable flap height ±1.0 mm
- No hinges fitted to the top panel
- Allows additional cabinet installation above
- Can be used for wooden flaps
- Weight 2.2 to 13.7 lbs.
- Range of Flaps:
  - Width: Up to 47-1/4" (1200mm)
  - Height: 11-13/16" - 23-5/8" (300mm - 600mm)
- High quality finish, nickel-plated



Item #	Version for	Overlay
GKINF151145224517	Wood	Variable

**Kinvaro T-57 Set includes:**

1. Fitting, right and left (1)
- Also includes paper template (1x) and installation instructions (1)

**A GRASS KINVARO LIFT SYSTEMS**

B  
C  
D  
E  
F  
G  
H  
I  
J  
K  
L  
M  
N  
O  
P  
Q  
R  
S  
T  
U  
V  
W  
X  
Y



**Kinvaro T-105 Flap Stay**



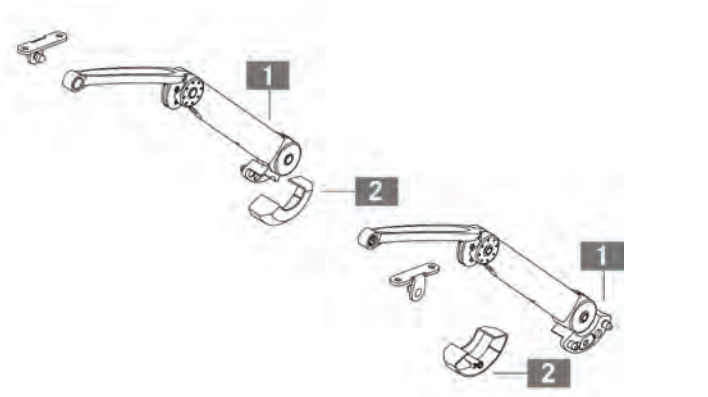
- Variable opening angle - holds flap securely at any angle between 45° and 105°
- Spring-supported opening function
- Convenient access, flap lifts clear of the work area
- Allows additional cabinet installation above
- Can be used for wooden flaps
- Maintenance-free, no re-adjustment required
- Range of Flaps:  
Width: Up to 47-1/4" (1200mm)  
Height: 9-27/32" - 19-11/16" (250mm - 500mm)
- High quality zinc diecasting, nickel-plated

Item # Left	Item # Right	Version for	Overlay
GKIN151145220513	GKIN151145221513	Wood	Variable

**Application Range**

Cabinet Height	Number of flap stays	Flap weight includes handle lbs. (kg)
		Spring, standard
9-27/32" (250mm)	1	3.1 - 9.7 (1.4 - 4.4)
	2	7.5 - 19.6 (3.4 - 8.9)
11-13/16" (300mm)	1	3.5 - 9.5 (1.6 - 4.3)
	2	7.1 - 19.0 (3.2 - 8.6)
13-25/32" (350mm)	1	2.9 - 9.0 (1.3 - 4.1)
	2	5.7 - 17.9 (2.6 - 8.1)
15-3/4" (400mm)	1	2.9 - 7.5 (1.3 - 3.4)
	2	5.7 - 15.0 (2.6 - 6.8)
17-23/32" (450mm)	1	2.6 - 6.6 (1.2 - 3.0)
	2	5.3 - 13.4 (2.4 - 6.1)
19-11/16" (500mm)	1	2.4 - 6.4 (1.1 - 2.9)
	2	4.9 - 12.8 (2.2 - 5.8)

**Kinvaro T-105 Set includes:**  
 1. Fitting, right or left (1)  
 2. Cover caps, right or left, in black (1)  
 Also includes paper template (1) and installation instructions (1)



**GRASS KINVARO LIFT SYSTEMS**

A  
B  
C  
D  
E  
F  
G  
H  
I  
J  
K  
L  
M  
N  
O  
P  
Q  
R  
S  
T  
U  
V  
W  
X  
Y



**Kinvaro D-M Flap Stay with Pull Cable**



- Opening angle adjustable (length of cable)
- Spring force adjustment
- Can be used with shallow cabinets from 110mm (4-5/16") depth
- Flap weight up to 10 kg (22 lb)
- Flap height 200mm - 480mm (7-7/8" - 18-7/8")
- Can be used on left/right side of cabinet
- Easy to install horizontally or vertically
- Works perfectly with Tiomos flap hinge
- Packaged in full boxes of 10. Available any quantity.



Kinvaro D-M Flap Stay - Includes Front Holder and Fixing Screws		
Item #	Springs	Color
GKINF053139661607	60N	Grey
GKINF053139662607	100N	Grey

Cover Caps for Kinvaro D-M	
Item #	Color
GKINF053139668507	White
GKINF053139669507	Night
GKINF053139670507	Smoke



**Kinvaro D-S Flap Stay with Pull Cable**



- Opening angle adjustable (length of cable)
- Can be used with shallow cabinets from 82mm (3-1/4") depth
- Flap height 200mm - 480mm (7-7/8" - 18-7/8")
- Can be used on left/right side of cabinet
- Easy to install horizontally or vertically
- In White or Night finish
- Works perfectly with Tiomos flap hinge



Kinvaro D-S Flap Stay - Includes Front Holder and Fixing Screws		
Item #	Springs	Color
GKINF053139664607	40N	White
GKINF053139665607	40N	Night
GKINF053139666607	60N	White
GKINF053139667607	60N	Night

A  
B  
C  
D  
E  
F  
G  
H  
I  
J  
K  
L  
M  
N  
O  
P  
Q  
R  
S  
T  
U  
V  
W  
X  
Y

## GRASS TIOMOS FLAP HINGES



### Tiomos 90° Hinges for Flap Doors



- Sleek modern design
- 90° opening angle
- For flap thicknesses of up to 30mm (1-3/16")
- Narrow joint
- Large overlay of up to 19mm (3/4")
- 3-dimensional adjustment
- Compatible with Tipmatic pin system
- Compatible with Kinvaro D-M/D-S flap system
- Packaged in full boxes of 100. Available any quantity

Flap Hinges			
Item #	Description	Finish	Cup Depth
GTIOF053139671223	For Flap Thicknesses of 14-21mm	Nickel	12mm
GTIOF053139677223	For Flap Thicknesses of 14-21mm	Night	12mm
GTIOF053139672223	For Flap Thicknesses of 22-28mm	Nickel	17mm
GTIOF053139678223	For Flap Thicknesses of 22-28mm	Night	17mm

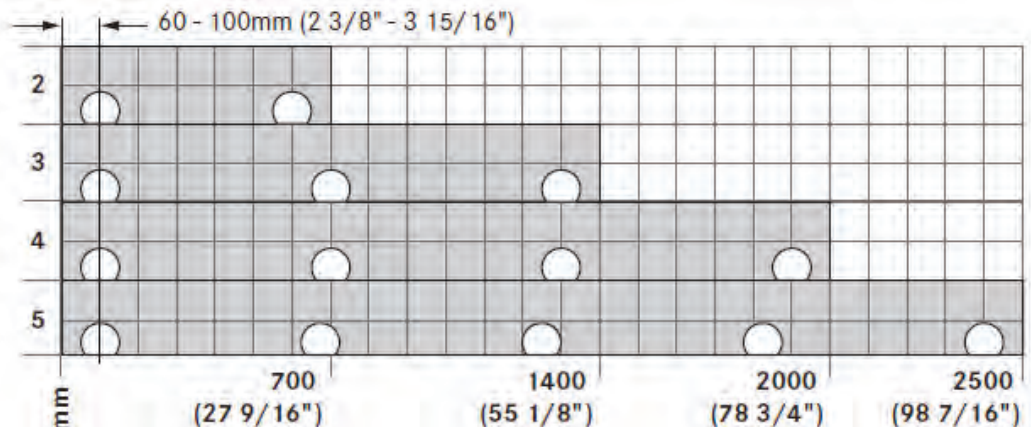


Cover Caps for Flap Hinges		
Item #	Description	Box Qty
GTIOF053139675223	Steel, Nickel-Plated	100
GTIOF053139683223	Steel, Night	100



1.5mm Spacers for Tiomos Flap Hinges		
Item #	Description	Box Qty
GTIOF053139676223	Steel, Nickel-Plated	100
GTIOF053139684223	Steel, Night	100

**Number of Flap Hinges Per Door**



**SALICE WIND LIFT SYSTEMS**



**Salice WIND Lift System**

**SALICE**

- Can be used with doors as small as 8-5/8" tall
- Can be mounted to the side or the top of the cabinet
- Can be used for very wide doors by simply adding additional mechanisms
- Simple motion speed adjustment after installation
- Multiple cover cap color choices
- Height, depth, and side adjustments by automatic cam
- Attached to the door using a standard 35mm bore
- See QR code for WIND installation video



**Soft-Close WIND System**

Item #	Type	Min Door Height	Max Door Height	Spring Color Code
SALFRAKFEXWSN9	W	8-5/8"	15-3/4"	White spring/free swing
SALFRAKFEXDSN9	D	8-5/8"	24"	Yellow spring/free swing
SALFRAKFEXISN9	I	12-9/16"	24"	Yellow spring/yellow spring
SALFRAKFEXFSN9	F	12-9/16"	24"	Black spring/black spring
SALFRAKFEXSSN9	S	12-9/16"	24"	Red spring/red spring

NOTE: Kit includes mechanism, left & right adapters, 2 door cups, and system screws

**Push-to-Open WIND System**

Item #	Type	Min Door Height	Max Door Height	Spring Color Code
SALFRAKFEPWSN9	W	8-5/8"	15-3/4"	White spring/free swing
SALFRAKFEPDSN9	D	8-5/8"	24"	Yellow spring/free swing
SALFRAKFEPISN9	I	12-9/16"	24"	Yellow spring/yellow spring
SALFRAKFEPFSN9	F	12-9/16"	24"	Black spring/black spring
SALFRAKFEPSSN9	S	12-9/16"	24"	Red spring/red spring

NOTE: Kit includes mechanism, left & right adapters, 2 door cups, and system screws



**WIND Cover Sets**

Item #	Color
SALSRXA78AMSXXXXF	Gray
SALSRXA78A1SNXXXXF	White
SALSRXA78AQSXXXXF	Glossy White
SALSRXA78AOSXXXXF	Satin Black
SALSRXA78ANSXXXXF	Glossy Black
SALSRXA78AISXXXXF	Steel
SALSRXA78ACSNXXXXF	Champagne

A  
B  
C  
D  
E  
F  
G  
H  
I  
J  
K  
L  
M  
N  
O  
P  
Q  
R  
S  
T  
U  
V  
W  
X  
Y

**A SALICE PACTA HINGES**



**Salice Pacta Hinge**

**SALICE**

- Compact hinge system for drop down doors without the need for additional cables or flap stays
- Ideal for use in kitchens, bathrooms, closets, and commercial applications
- Soft opening for a controlled and gradual opening
- In the fully open position, the door and cabinet bottom panel are aligned for a smooth surface
- A center hinge can be added for wider cabinet applications 30" or wider
- Available in Soft Opening with Self close **or** Soft Opening with Push-to-open for handle-less doors
- Covers are offered in a variety of finishes to complement and blend with any interior
- Minimum door height: 11"
- Maximum door height: 16"
- 50 lb. load rating



**Pacta Manual Open, Self-Close, Soft-Down**

Includes: Hinges, mounting plates, Smoves and screws

	Item #	Description
A	SALFRBKFEFWSN9	Pacta Type W Soft Close, Gray Smove, Light Duty
	SALFRBKFEFISN9	Pacta Type I Soft Close, Tan Smove, Medium Duty
	SALFRBKFEFSSN9	Pacta Type S Soft Close, Red Smove, Heavy Duty

**Pacta Push-to-Open, Soft-Down**

Includes: Hinges, mounting plates, Smoves, and screws. Magnetic release devices sold separately

	Item #	Description
A	SALFRBKFEFWSN9	Pacta Type W Push-Open, Gray Smove, Light Duty
	SALFRBKFEFISN9	Pacta Type I Push-Open, Tan Smove, Medium Duty
	SALFRBKFEFSSN9	Pacta Type S Push-Open, Red Smove, Heavy Duty



**Pacta Center Hinges**

Includes: (1) hinge, (1) hinge cover and Euro screws

	Item #	Description
B	SALFRCK59RUX1	Pacta Type 1 Center Hinge, White
	SALFRCK59RUXQ	Pacta Type Q Center Hinge, Glossy White
	SALFRCK59RUXM	Pacta Type M Center Hinge, Gray
	SALFRCK59RUX0	Pacta Type O Center Hinge, Satin Black



**Pacta Cover Kits**

Includes (2) covers

	Item #	Description
C	SALSRXB78A1XXXXF	Pacta Type 1 Cover Set, White
	SALSRXB78AQXXXXF	Pacta Type Q Cover Set, Glossy White
	SALSRXB78AMXXXXF	Pacta Type M Cover Set, Gray
	SALSRXB78A0XXXXF	Pacta Type O Cover Set, Satin Black



**STAYS**

A  
B  
C  
D  
E  
F  
G  
H  
I  
J  
K  
L  
M  
N  
O  
P  
Q  
R  
S  
T  
U  
V  
W  
X  
Y



**PRO Lift Systems**

- High quality, value priced lift systems perfect for your next project
- Easy installation - Every Pro Lift Stay comes individually packaged with easy to follow instructions
- Easy lift up or lift down



**Lifetime Warranty**

Once you install your Würth PRO Lift Stay, you can have peace of mind that your project will function properly for years to come.

**PRO Clock**

- 75°, 90°, and 110° opening angles
- Braking motion is adjustable
- Heavy duty zinc die cast construction
- Works as both a lid stay and flap stay
- Door mount and cabinet mount brackets included

<b>Item #</b>
PRO-CLOCK



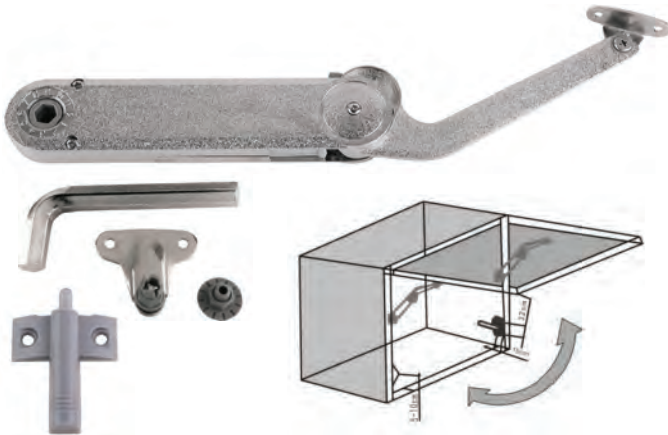
**PRO Up & Down Stays**

- Both feature soft motion movement
- Up Stays offer 75°, 90°, and 110° opening angles
- Use with 110 degree European hinges and plates
- Will hold securely in open and closed positions
- Door and cabinet brackets included



Item #	Style	Load Capacity
PRO-US-080N	Up Stay	80N (18 lbs)
PRO-US-100N	Up Stay	100N (22.5 lbs)
PRO-US-120N	Up Stay	120N (27 lbs)
PRO-DS-60N	Down Stay	60N (13.5 lbs)
PRO-DS-80N	Down Stay	80N (18 lbs)

**A STAYS**



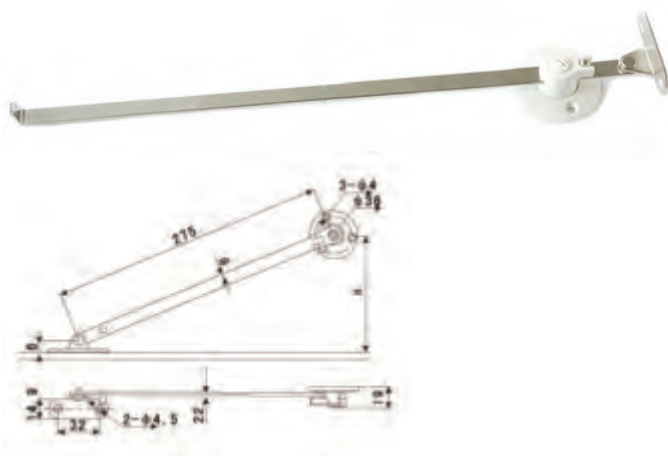
**PRO Heavy Duty Lid Stays**

- 90° Angle Opening
- Adjustable with hex key (included)
- Left or right mounted
- Soft-close damper included
- Nickel-plated



<b>Item #</b>
PRO-HD-LS

B  
C  
D  
E  
F  
G  
H  
I  
J  
K  
L  
M  
N  
O  
P  
Q  
R  
S  
T  
U  
V  
W  
X  
Y

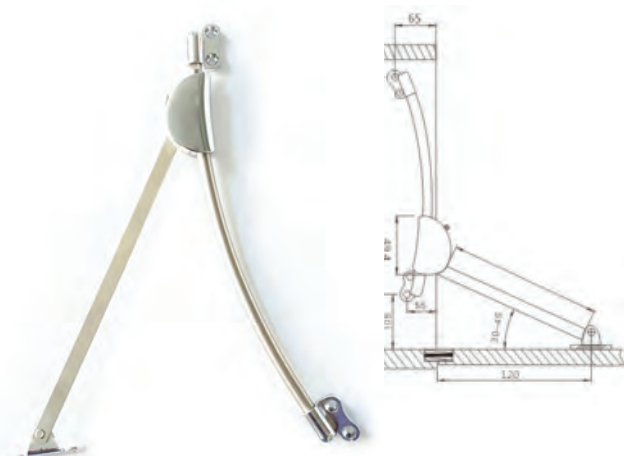


**PRO Drop Stays**

- Adjustable braking action
- Screw-mounted
- 8lb load capacity
- 15.5" minimum cabinet height needed
- Nickel-plated finish
- Non-handed; works on both right and left hand applications



<b>Item #</b>
PRO-DROPSTAY-23



**PRO Drop Stays**

- Adjustable braking action
- Screw-mounted
- 11lb load capacity
- Nickel-plated finish
- White plastic housing
- Non-handed; works on both right and left hand applications

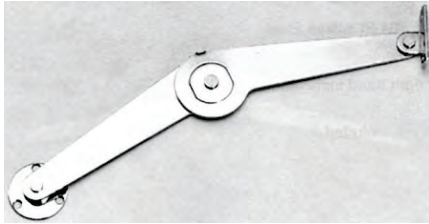


<b>Item #</b>
PRO-DROPSTAY-16

**LIFETIME WARRANTY**

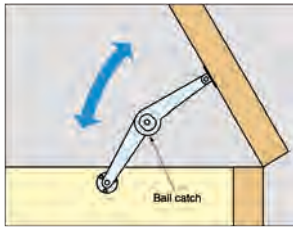
Once you install your Würth PRO Lift Stay, you can have peace of mind that your project will function properly for years to come.

**STAYS**



**Lid Support With Lock-Out**

- Friction lock in the open position. Apply pressure to release
- Pivot is fastened to the side wall of the cabinet. Foot mounts to underside of the lid
- Material/Finish: Steel, Chrome-Plated. Nylon washer
- Specifications: 8-1/2"L
- Catch holds cabinet door open
- Lid stay with ball catch for lightweight doors
- Catch automatically holds lid in opened position
- Can be installed individually or in pairs
- Handed: Specific left and right hand mounting



Item #	Mount Type	Sold In
SGS-20R	Right Hand	Per Each
SGS-20L	Left Hand	Per Each



**Drop Lid Support**

- A hinged lid support with a "snap-lock" in the fully open position
- Handed and sold by the pair
- Screws included



Item #	Length	Made of	Finish	Sold In
KV472-6	6"	Steel	Nickel Plated	Per Pair
KV472-10	10"	Steel	Nickel Plated	Per Pair



**Lid Stay**

- For downward-opening flap doors
- Can be installed individually or in pairs
- Non-handed, can be installed on left or right side
- Made of stainless steel



Item #	Size	Load Capacity	Sold In
SGHS-210	9-29/64"L	26.5 lbs.	Per Each
SGHS-240	10-5/8"L	28.5 lbs.	Per Each

A  
B  
C  
D  
E  
F  
G  
H  
I  
J  
K  
L  
M  
N  
O  
P  
Q  
R  
S  
T  
U  
V  
W  
X  
Y

## A STAYS



### Top-Opening Soft-Down Stay



- Designed to be used for top opening lids on chests
- Holds door in fully open position, at 105 degree position
- Unhanded
- Can be used with piano, concealed and drop hinges
- Tested up to 30,000 cycles with a torque rating of 35 per stay and 70 torque rating for a pair of stays used together
- Screws included

NOTE: Torque rating = lid height x lid weight x 1/2.

Item #	Degree of Opening	Finish	Sold In
SGSDS210-WH	105°	White	Per Each



### Top-Opening Adjustable Soft-Down Stays



- For top-opening lids, holds door in both closed position and open at 70 or 105° angles, depending on positioning
- Speed adjustment screw allows for varying speeds of soft-close downward movement
- Tested to 50,000 cycles, screws included
- Has adjustable 19 to 60 lbs. per square inch torque rating range per piece and 38 to 120 lbs. torque rating per pair

NOTE: Torque rating = lid height x lid weight x 1/2.

Item #	Description	Sold In
SGNSDX-20RK	Right Hand Up-Stay	Per Each
SGNSDX-20LK	Left Hand Up-Stay	Per Each



### Top-Opening Heavy Duty Soft-Down Stays



- Holds door in fully open position, at 70 degree position
- Can be used with piano, concealed and drop hinges
- Tested up to 90,000 cycles
- Screws included

NOTE: Torque rating = lid height x lid weight x 1/2, \* When used in pairs.

Item #	Type	Finish	Sold In
<b>Medium Duty - 173 To 216 Lbs. Per Sq. In Torque *</b>			
SGHDS-20ML/WHT	Medium-Duty (Left)	White	Per Each
SGHDS-20MR/WHT	Medium-Duty (Right)	White	Per Each
<b>Heavy Duty - 216 To 260 Lbs. Per Sq. In Torque *</b>			
SGHDS-20HL/WHT	Heavy-Duty (Left)	White	Per Each
SGHDS-20HR/WHT	Heavy-Duty (Right)	White	Per Each

**STAYS**

A  
B  
C  
D  
E  
F  
G  
H  
I  
J  
K  
L  
M  
N  
O  
P  
Q  
R  
S  
T  
U  
V  
W  
X  
Y



**Upward-Opening Soft-Down Stay**



- Designed for upward opening lids on cabinets
- Holds door in closed and open position at 90°
- Non-handed
- Single stays can handle torque from 35 to 60 lbs., two stays together can handle up to 120 lbs.
- Soft-close mechanism provides smooth slow closing through 90° of door movement
- Guaranteed up to 30,000 cycles, screws included
- Color: White

NOTE: Torque rating = lid height x lid weight x 1/2.

Item #	Sold In
SGSDSC301N-WH	Per Each



**Upward-Opening Adjustable Soft-Down Stays**



- Holds lid closed and opened at 80, 90 or 100 degrees
- Tested to 50,000 cycles
- Has soft-close movement that is adjustable with the turn of a screw
- Right-and left-hand mounting
- Accomodates torque range from 19 to 60 lbs. per square inch

NOTE: Torque rating = lid height x lid weight x 1/2

Right Hand Item #	Left Hand Item #	Sold In
SGNSDX-35RK	SGNSDX-35LK	Per Each



**Upward-Opening Heavy Duty Soft-Down Stays**



- Designed for top opening lids on cabinets, pianos, concealed and drop hinges
- Holds door in fully open position, at 80 degree position
- Left and right handed versions available
- Tested up to 90,000 cycles, screws included

NOTE: Torque rating = lid height x lid weight x 1/2

Item #	Type	Finish	Sold In
<b>Light Duty - Up To 170 Lbs. Per Sq. In Torque</b>			
SGHDS-30KL/WHT	Light Duty (Left)	White	Per Each
SGHDS-30KR/WHT	Light-Duty (Right)	White	Per Each
<b>Medium Duty - Up To 215 Lbs. Per Sq. In Torque</b>			
SGHDS-30ML/WHT	Medium-Duty (Left)	White	Per Each
SGHDS-30MR/WHT	Medium-Duty (Right)	White	Per Each
<b>Heavy Duty - Up To 260 Lbs. Per Sq. In Torque</b>			
SGHDS-30HL/WHT	Heavy-Duty (Left)	White	Per Each
SGHDS-30HR/WHT	Heavy-Duty (Right)	White	Per Each

**A STAYS**



**Upward-Opening Medium & Heavy Duty Soft-Close Stay**



- Lift-assisted mechanism for extra light-opening
- Door stays in any up position by opening the door to position and then letting go
- Damper equipped for soft & silent closing at the end
- Simple installation by aligning body to edge of cabinet
- Tested to 40,000 cycles, screws included
- Mechanism has light gray colored housing



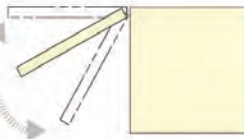
Item #	Type	Description	Sold In
SGSLS-ELAN-MR	M-Type	Medium Duty, Installed on Right	Per Each
SGSLS-ELAN-ML	M-Type	Medium Duty, Installed on Left	Per Each
SGSLS-ELAN-HR	H-Type	Heavy Duty, Installed on Right	Per Each
SGSLS-ELAN-HL	H-Type	Heavy Duty, Installed on Left	Per Each

**3 functions on 1 stay**

**1. Lift-assist**



**2. Free stop**



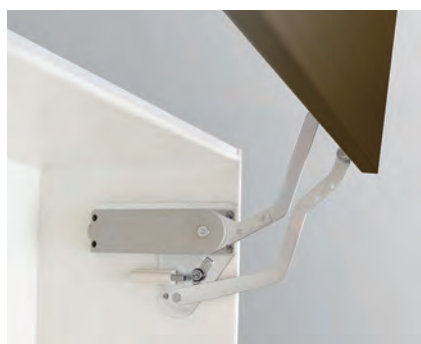
**3. Soft-close**



**Door Weight Range Table (lb)**

Door Height (Inch)	Single Use				Pair Use			
	M-Type		H-Type		M-Type		H-Type	
	Min	Max	Min	Max	Min	Max	Min	Max
12*	8.0	10.8	10.8	14.5	16.0	21.7	21.7	29.0
13*	7.4	10.0	10.0	13.4	14.8	20.0	20.0	26.8
14*	6.9	9.3	9.3	12.4	13.7	18.6	18.6	24.9
15*	6.4	8.7	8.7	11.6	12.8	17.3	17.3	23.2
16*	6.0	8.1	8.1	10.9	12.0	16.3	16.3	21.8
17*	5.6	7.6	7.6	10.2	11.3	15.3	15.3	20.5
18*	5.3	7.2	7.2	9.7	10.7	14.4	14.4	19.3
19*	5.1	6.8	6.8	9.2	10.1	13.7	13.7	18.3
20*	4.8	6.5	6.5	8.7	9.6	13.0	13.0	17.4
21*	4.6	6.2	6.2	8.3	9.1	12.4	12.4	16.6
22*	4.4	5.9	5.9	7.9	8.7	11.8	11.8	15.8
23*	4.2	5.7	5.7	7.6	8.3	11.3	11.3	15.1
24*	4.0	5.4	5.4	7.3	8.0	10.8	10.8	14.5
25*	3.8	5.2	5.2	7.0	7.7	10.4	10.4	13.9
26*	3.7	5.0	5.0	6.7	7.4	10.0	10.0	13.4
27*	3.5	4.8	4.8	6.4	7.1	9.6	9.6	12.9
28*	3.4	4.6	4.6	6.2	6.9	9.3	9.3	12.4

\*Single or pair depending on door size and weight.



**Vertical Swing Lift Up Mechanism, Soft-Close**



- Unique swing mechanism will lift cabinet doors up vertically and hold them in place
- Recommended for doors 24" to 35-1/2" wide and 15" to 18" tall
- Tested to perform over 30,000 cycles, screws included
- Designed to be used in pairs

Item #	Door Weight	Finish	Sold In
SGSLUN-3N	5.5 to 7.7 lb	Gray	Per Pair
SGSLUN-5N	10 to 11.4 lb	Gray	Per Pair

**STAYS**

A  
B  
C  
D  
E  
F  
G  
H  
I  
J  
K  
L  
M  
N  
O  
P  
Q  
R  
S  
T  
U  
V  
W  
X  
Y



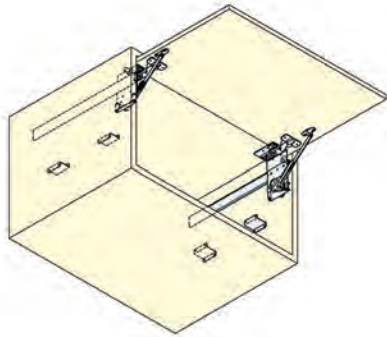
**Upward-Opening System w/Soft-Close For Inset Doors Only**



- Incorporates patented Lapcon technology for soft, smooth closing
- Adjustable closing speed
- Passed 30,000 open/close private cycle tests
- Set includes: (2) soft down stays, (2) slides, (2) hinges & (2) hinge plates

**Door Specifications:**

- Door thickness range: 19/32" - 51/64"
- Door maximum width: 47-1/4"
- Door weight range: 9.9 lbs. - 14.3 lbs.



Item #	Slide Length	Sold In
SGIF-102W-19	19"L	Per Set



**Downward-Opening Soft-Down Stay**



- Designed for downward opening lids, provides soft open upon opening motion being initiated
- Short arm type designed for small door applications, allows door to open to 90 degrees
- Single down stay can accommodate 10.4 lbs. per square inch torque
- Non-handed
- Without catch mechanism (magnetic catch required) to keep flap in closed position

NOTE: Torque rating = lid height x lid weight x 1/2

Item #	Sold In
SGSDSC100-WH	Per Each



**Downward-Opening Adjustable Soft-Down Stays**

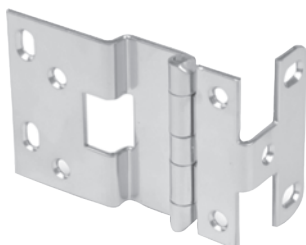


- Keeps flap/lid from slamming down
- Soft-down speed is adjustable
- Opening angle is adjustable by changing mounting position
- Designed to hold door in closed position
- Handed
- Torque Calculation: Torque = Door Height x 1/2 x Door Weight
- Per piece torque = 19-60 lbs-inch
- Per pair torque = 38-120 lbs-inch

Right Hand Item #	Left Hand Item #
SGNSDX-10RK	SGNSDX-10LK

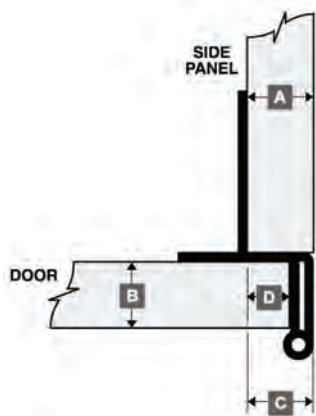
A  
B  
C  
D  
E  
F  
G  
H  
I  
J  
K  
L  
M  
N  
O  
P  
Q  
R  
S  
T  
U  
V  
W  
X  
Y

# INSTITUTIONAL HINGES



## Overlay 5 Knuckle Hinges

- Designed for 32mm hole system
- Hospital grade tips
- Frame leaf length: 1-3/4"
- Tight screw pin and elongated holes on both
- Barrel Height: 2-3/4"
- Material Thickness: .095" (2.4mm)
- Hinges come with screws



Finish	Item #	UOM	A Side Panel	B Door Thickness	C Hinge Overlay	D Door Overlay	Sold In
<b>Overlay Hinge - For 3/4" Thick Doors</b>							
Satin Black	RP374-1D	EA	3/4"	3/4"	23/32"	15/32"	Per Each
Dull Chrome	RP374-26D	EA	3/4"	3/4"	23/32"	15/32"	Per Each
Powder Chrome	RP374-PC28	EA	3/4"	3/4"	23/32"	15/32"	Per Each
<b>Overlay Hinge - For 13/16" Thick Doors</b>							
Satin Black	RP375-1D	EA	13/16"	13/16"	25/32"	17/32"	Per Each
Dull Chrome	RP375-26D	EA	13/16"	13/16"	25/32"	17/32"	Per Each
<b>Overlay Hinge - For 13/16" Thick Doors</b>							
Satin Black	RP376-1D	EA	3/4"	13/16"	23/32"	15/32"	Per Each
Dull Chrome	RP376-26D	EA	3/4"	13/16"	23/32"	15/32"	Per Each
Powder Chrome	RP376-PC28	EA	3/4"	13/16"	23/32"	15/32"	Per Each
White	RP376-E51	EA	3/4"	13/16"	23/32"	15/32"	Per Each
Stainless Steel	RP376SS	EA	3/4"	13/16"	23/32"	15/32"	Per Each
<b>Overlay Hinge - For 3/4" Thick Doors</b>							
Satin Black	RP454-1D	EA	3/4"	3/4"	23/32"	15/32"	Per Each
Dull Chrome	RP454-26D	EA	3/4"	3/4"	23/32"	15/32"	Per Each
<b>Overlay Hinge - For 13/16" Thick Doors</b>							
Satin Black	RP455-1D	EA	13/16"	13/16"	23/32"	17/32"	Per Each
Dull Chrome	RP455-26D	EA	13/16"	13/16"	23/32"	17/32"	Per Each
<b>Overlay Hinge - For 13/16" Thick Doors</b>							
Satin Black	RP456-1D	EA	3/4"	13/16"	23/32"	15/32"	Per Each
Dull Chrome	RP456-26D	EA	3/4"	13/16"	23/32"	15/32"	Per Each
Powder Chrome	RP456-PC27	EA	3/4"	13/16"	23/32"	15/32"	100/Box
<b>Overlay Hinge - For 1/2" Thick Doors</b>							
Stainless Steel	RP8314S	EA	1/2"	1/2"	1/2"	9/32"	Per Each
<b>Overlay Hinge - For 13/16" Thick Doors</b>							
Dull Chrome	RP8362-26D	EA	5/8"	13/16"	19/32"	11/32"	100/Box
<b>Overlay Hinge - For 1-1/16" Thick Doors</b>							
Dull Chrome	RP844-26D	EA	5/8"	1-1/16"	19/32"	11/32"	Per Each
<b>Overlay Hinge - For 13/16" Thick Doors</b>							
Dull Chrome	RP849-26D	EA	3/8"	13/16"	11/32"	1/8"	Per Each
<b>Overlay Hinge - For 13/16" Thick Doors</b>							
Dull Chrome	RP853-26D	EA	5/8"	13/16"	19/32"	11/32"	Per Each



**INSTITUTIONAL HINGES**



**Overlay Hinges, 5 Knuckle**

- Overlay Hinge 13/16" Thick Door
- Designed for a 32mm hole pattern; 2-3/4" five knuckle hinge
- Door Thickness :13/16"
- 095" Steel, hospital tip
- Includes #8 x 3/4" screws
- Pin Diameter 4.8mm



Item #	Finish	Sold In
JIH760-DC	Dull Chrome	Per Each
JIH760-PDC	Powder Dull Chrome	Per Each
JIH760-SS	Stainless Steel	Per Each

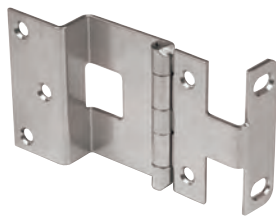


**Overlay Hinges, 5 Knuckle**

- Overlay Hinge 3/4" Thick Door
- Designed for 32mm hole pattern; 2-3/4" joint length five knuckle hinge
- Door Thickness 3/4"
- 095 inch Steel
- Hospital tip
- Includes #8 x 3/4" screws
- Pin Dia. 4.8mm



Item #	Finish	Side Panel	Door Thickness	Hinge Overlay	Door Overlay	Sold In
JIH740-DC	Dull Chrome	3/4"	13/16"	3/4"	1/2"	Per Each



**Overlay Hinges, 5 Knuckle For Doors Up To 1-3/8" Thick**

- Finish: Dull Chrome
- Barrel Height: 2-3/4" (51.63mm)
- Screws included



Item #	Side Panel	Door Thickness	Hinge Overlay	Door Overlay	Reveal	Material Thickness	Sold In
RP7036-26D	3/4"	1-3/8"	23/32"	15/32"	9/32"	.095"	Per Each



**Flush Door Hinges, 5 Knuckle For Doors 3/4" & 13/16" Thick**

- Barrel Height: 2-1/2" (63.5mm)
- Material Thickness: 0.083" (2.1mm)
- Screws included



Item #	Door Thickness	Door Clearance	Cabinet Wing Length	Finish	Sold In
RP860-26D	3/4"	7/32"	1-59/64"	Dull Chrome	Per Each

A  
B  
C  
D  
E  
F  
G  
H  
I  
J  
K  
L  
M  
N  
O  
P  
Q  
R  
S  
T  
U  
V  
W  
X  
Y

**A INSTITUTIONAL HINGES**



**MB Series Barrel Hinges**

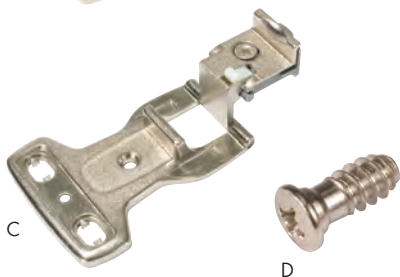
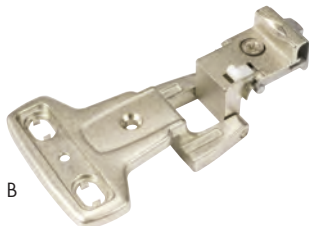
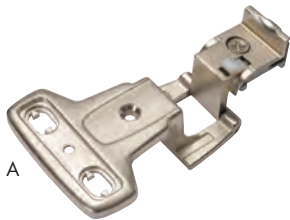
- Hinges made of zinc die-cast construction for extreme durability
- Recommended for side panel thicknesses of 19mm (3/4")
- Tool-free snap-on mounting - quick and easy installation
- All types of hinge mounting (corner and center wall)
- Side-to-side adjustment of -2mm (1/16")
- Height adjustment of +/- 2mm (1/16")
- Cover cap conceals mounting screws
- Available in black and nickel plated
- Designed for frameless cabinet construction
- Opening angles range from 180° to 270°
- Meets ANSI/BHMA A156.9 - Grade I requirements



**How to Order Grass Institutional Hinges:**

- 1) Choose screw-on or dowelled cup: one cup fits all hinge arms.
- 2) Choose hinge arm based on application (cover cap included).
- 3) Special #6.3 x 13.5mm Euro screws (2) required for hinge arm mounting. Must be ordered separately.

MB 8010 Hinge Cup - 45mm Pattern			
Item #	Finish	Fixing Type	Sold In
GM690.030.11.25	Nickel-Plated	Screw-On	Per Each
GM690.030.12.25	Nickel-Plated	Dowelled	Per Each
GF150145124233	Black	Dowelled	Per Each



Hinge Arms				
	Item #	Description	Finish	Sold In
A	GM811.328.11.25	MB 8310 Hinge Arm - Full Overlay - 15mm (19/32")	Nickel-Plated	Per Each
	GF150145125223	MB 8310 Hinge Arm - Full Overlay - 15mm (19/32")	Black	Per Each
B	GF150000015223	MB 8510 Hinge Arm - Half Overlay - 5.5mm (7/32")	Nickel-Plated	Per Each
C	GF150000007223	MB 6110 Hinge Arm - Inset	Nickel-Plated	Per Each

Euro Screws for Hinge Arm Mounting - 6.3 x 13.5mm			
	Item #	Finish	Sold In
D	GB405.000.51.25	Nickel-Plated	100/Box

**INSTITUTIONAL HINGES**

A  
B  
C  
D  
E  
F  
G  
H  
I  
J  
K  
L  
M  
N  
O  
P  
Q  
R  
S  
T  
U  
V  
W  
X  
Y



Hinge cup boring pattern: 45mm x 9.5mm  
 Hinge cup diameter: 35mm  
 Hinge cup depth: 12mm

**Adjustment Range**

Height adjustment: +2.0mm, -2mm  
 Depth adjustment: +2.8mm, -.5mm  
 Lateral adjustment: +4.5mm, -1.5mm



**Salice Institutional Hinges - Grade 1**

**SALICE**

- Series M hinges conform with FIRA level 5 and ANSI Grade 1 requirements and meets ISO 9001 and ISO 14001 environmental certification
- 270° opening for 19mm thick doors
- 180° opening for doors up to 24mm
- Compatible with all Salice Series 200 hinge mounting plates: both clip-on and slide-on
- Nickel plated for corrosion resistance
- Independent, automatic three dimensional adjustment
- Lifetime warranty

Hinge Type	Screw-on Item #	Press-in Dowel Item #	Sold In
<b>Full Overlay: Recessed Knuckle</b>			
Single pivot	SALCMP3A99	SALCMR3A99	Per Each
<b>Full Overlay: External Knuckle</b>			
Single pivot	SALCMP3A99	SALCMR3A99	Per Each
<b>Half Overlay: Recessed Knuckle</b>			
Single pivot	SALCMP3A99	SALCMR3A99	Per Each
<b>Inset: Recessed Knuckle</b>			
Single pivot	SALCMP3A99	SALCMR3A99	Per Each

<b>Accessory Items</b>		
Item #	Description	Sold In
AN203351	35mm Hinge Boring Bit	Per Each
AN301008	8mm LH Bit, 57mm L	Per Each

**A PIANO & BARREL HINGES**



**Piano Hinges**  
**Cut Lengths 48", 72", and 96"**



- High quality, .040 gauge steel piano hinges have a lifetime finish
- All cut lengths of hinges have countersunk screw holes spaced 2" apart on center
- 100 screws required per 6' length, all hinges use #5 flathead screws with the exception of 3" wide hinges that use #6 flathead screws (not included)
- Hinge widths (opened) are 1-1/16", 1-1/2", and 2"

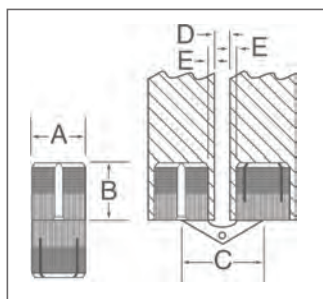
Open Width x Length	Bright Brass Item #	Bright Nickel Item #	Black Powder Item #	Sold In
1-1/16" x 72"	-	FE16-NP	-	Per Each
1-1/2" x 48"	THPP2-3303S-481	THPCP2-2203S-482	-	Per Each
1-1/2" x 72"	FE12-BP	FE12-NP	THPA112BLK	Per Each
1-1/2" x 96"	THPP2-3303S-961	-	-	Per Each
2" x 72"	FE2-BP	FE2-NP	-	Per Each



**Barrel Hinges**  
**SOSS Invisible Cylinder Hinge**



- Fully concealed hinges are solid brass with heavy duty brass linkage
- Five diameter sizes from 10mm diameter to 18mm diameter
- Easy to install, drill holes to exact diameter of hinge, tap hinge into hole until hinge is flush, tighten hinge set screw to expand wedge for permanent fastening

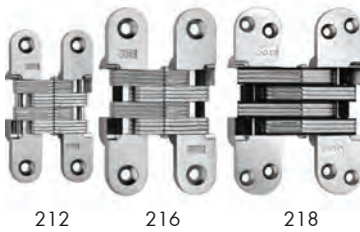
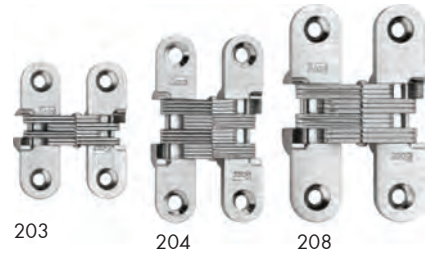
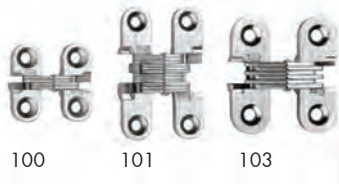


Item #	Hinge Diameter	Sold In
SOSBH104	10mm x 7/8"	Per Each
SOSBH124	12mm x 1-1/16"	Per Each
SOSBH144	14mm x 1-3/16"	Per Each
SOSBH164	16mm x 1-5/16"	Per Each
SOSBH184	18mm x 1-3/8"	Per Each



Item #	Min. Door Thickness	Drill Bit	A	B	C	D Minimum	E Minimum
SOSBH104	1/2"	10mm/ 25/64"	10mm	11mm	16.5mm	2.5mm	2mm
SOSBH124	5/8"	12mm/ 15/32"	12mm	13.5mm	20mm	2.5mm	2mm
SOSBH144	3/4"	14mm/ 35/64"	14mm	15.5mm	23mm	3mm	3mm
SOSBH164	7/8"	16mm/ 5/8"	16mm	16.5mm	25mm	3mm	3mm
SOSBH184	1-1/8"	18mm/ 45/64"	18mm	17.5mm	27mm	3mm	3mm

**SOSS INVISIBLE HINGES**



**SOSS Brand Invisible Hinges**

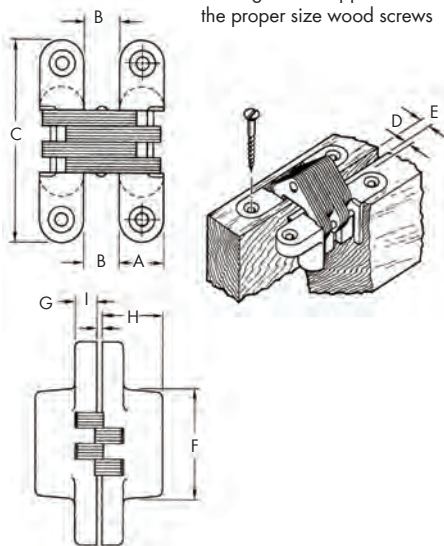
- Fully anchored in a deep mortise
- Zinc die cast with steel laminated links
- For use when a butt hinge is not needed
- 180 degree opening capacity



SOSS #	Satin Chrome Item #	Dull Brass Item #	Sold In
100	-	SOS100BP	Per Pair
101	SOS101-26D	SOS101BP	Per Pair
103	-	SOS103BP	Per Pair
203	SOS203-26D	SOS203BP	Per Pair
204	-	SOS204BP	Per Pair
208	-	SOS208BP	Per Each
212	SOS212-26D	SOS212BP	Per Each
216	SOS216-26D	SOS216BP	Per Each
218	-	SOS218BP	Per Each

**Key to Dimensions Shown in Charts**

All hinges are shipped with the proper size wood screws



**Router Guide Templates**

- Template is held on the door and jamb with nails, guide pins locate the deep mortise

Item #	Fits SOSS Hinge	Sold In
SOS204IT	204 Series	Per Each
SOS212IT	212 Series	Per Each
SOS216IT	216 Series	Per Each

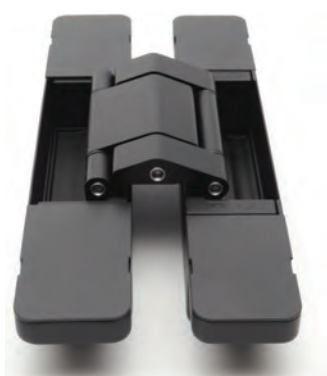
**Soss Hinge Dimensions**

Dimension	100	101	103	203	204	208	212	216	218
A	3/8"	3/8"	1/2"	1/2"	1/2"	5/8"	3/4"	1"	1-1/8"
B	9/32"	19/64"	3/8"	23/64"	23/64"	29/64"	17/32"	23/32"	7/8"
C	1"	1-11/16"	1-1/2"	1-3/4"	2-3/8"	2-3/4"	3-3/4"	4-5/8"	4-5/8"
D	3/32"	7/64"	1/8"	7/64"	7/64"	9/64"	5/32"	7/32"	3/8"
E	3/32"	3/32"	1/8"	1/8"	1/8"	5/32"	3/16"	1/4"	1/4"
F	3/8"	7/8"	11/16"	3/4"	1-1/4"	1-11/32"	2-1/16"	2-19/32"	2-7/16"
G	1/32"	1/32"	1/32"	1/32"	1/16"	3/64"	3/64"	1/16"	1/16"
H	15/32"	29/64"	19/32"	23/32"	23/32"	29/32"	1-5/64"	1-7/16"	1-41/64"
I	15/64"	7/32"	7/32"	3/16"	1/4"	9/32"	3/8"	15/32"	13/32"
Min. Thickness	1/2"	1/2"	3/4"	3/4"	3/4"	1"	1-1/8"	1-3/8"	1-3/4"
Hinge Weight	.04lbs.	.07 lbs.	.09 lbs.	.11 lbs.	.20 lbs.	.34 lbs.	.75 lbs.	1.65 lbs.	1.86 lbs.

A  
B  
C  
D  
E  
F  
G  
H  
I  
J  
K  
L  
M  
N  
O  
P  
Q  
R  
S  
T  
U  
V  
W  
X  
Y

**A CONCEALED HINGES**

B  
C  
D  
E  
F  
G  
H  
I  
J  
K  
L  
M  
N  
O  
P  
Q  
R  
S  
T  
U  
V  
W  
X  
Y



**3-Way Adjustable Concealed Door Hinge, Matte Black**



- 3-WAY adjustment function allows vertical, horizontal, and depth after hinge installed
- Passed 300,000 open/close private cycle tests
- Installation with LIFT-OFF FEATURE: can be split into 2 parts (one for the frame and one for the flap), can be temporarily hung and hold position without being affixed with screws
- Supplied with steel flat head screw
- Max door weight: (2) Hinges = 220 lbs. / (3) hinges = 275 lbs.
- Max door size: 94-1/2" height x 37-7/16" width
- Min door thickness: 1-1/2"

Item #	Hinge Size	Finish	Sold In
SGHES3D-E190BL	2.34" x 1.34" x 7.48"	Matte Black	Per Each



**3-Way Adjustable Concealed Door Hinge, Dull Chrome**



- 3-WAY adjustment function allows vertical, horizontal, and depth after hinge installed
- Passed 300,000 open/close private cycle tests
- Installation with LIFT-OFF FEATURE: can be split into 2 parts (one for the frame and one for the flap), can be temporarily hung and hold position without being affixed with screws
- Supplied with steel flat head screw
- Max door weight: (2) Hinges = 220 lbs. / (3) hinges = 275 lbs.
- Max door size: 94-1/2" height x 37-7/16" width
- Min door thickness: 1-1/2"

Item #	Hinge Size	Finish	Sold In
SGHES3D-E190DC	2.34" x 1.34" x 7.48"	Dull Chrome	Per Each



**3-Way Adjustable Concealed Door Hinge, Dull Nickel**



- 3-WAY adjustment allows vertical, horizontal, and depth after the hinge is installed
- Passed 300,000 open/close private cycle tests
- Installation with LIFT-OFF FEATURE: can be split into 2 parts (one for the frame and one for the flap), can be temporarily hung and hold position without being affixed with screws
- Supplied with steel flat head screw
- Max door weight: (2) Hinges = 220 lbs. / (3) hinges = 275 lbs.
- Max door size: 94-1/2" height x 37-7/16" width
- Min door thickness: 1-1/2"

Item #	Hinge Size	Finish	Sold In
SGHES3D-E190DN	2.34" x 1.34" x 7.48"	Dull Nickel	Per Each

**SELF-CLOSING WRAP & DEMOUNTABLE HINGES**



**Partial Wrap, Self-Closing Hinges  
Standard Tip, 1/4" &  
1/2" Overlays & 3/8" Inset**



- Two #6 x 5/8" and three #5 x 1/2" screws included

Finish	1/4" Overlay Item #	1/2" Overlay Item #	3/8" Inset Item #	Sold In
Burnished Brass	-	AM7550-BB	-	Per Pair
Flat Black	-	AM7550-FB	-	Per Pair
Oil Rub Bronze	AM7566-ORB	AM7550-ORB	AM7565-ORB	Per Pair
Satin Nickel	-	AM7550-G10	AM7565-G10	Per Pair
Weathered Nickel	-	AM7550-WN	-	Per Pair



**Partial Wrap, Single Demountable Hinges  
1/4", 1/2" Overlays**



- Two #6 x 5/8" screws included

Finish	1/4" Overlay Item #	1/2" Overlay Item #	Sold In
Oil Rub Bronze	AM8715O-RB	AM8719O-RB	Per Pair
Satin Nickel	-	AM8719-G10	Per Pair



**Double Demountable, Partial Wrap  
Self-Closing Hinges  
1/4", 1/2" Overlays & 3/8" Inset**



- Double demountable hinges feature clamping plates which clamp the hinge to both the door and the frame stile
- Full three way adjustability and easy mounting by slipping hinge into pre-routed slots

Finish	1/4" Overlay Item #	1/2" Overlay Item #	3/8" Inset Item #	Sold In
Burnished Brass	-	-	AM8700-BB	Per Pair
Oil Rub Bronze	-	AMC8704-ORB	AM8700O-RB	Per Pair
Satin Nickel	AM8701-G10	AM8704-G10	AM8700-G10	Per Pair

A  
B  
C  
D  
E  
F  
G  
H  
I  
J  
K  
L  
M  
N  
O  
P  
Q  
R  
S  
T  
U  
V  
W  
X  
Y

**A SELF-CLOSING FACE MOUNT HINGES**

B  
C  
D  
E  
F  
G  
H  
I  
J  
K  
L  
M  
N  
O  
P  
Q  
R  
S  
T  
U  
V  
W  
X  
Y



Variable Overlay



3/8" Inset

**Face Mount Standard & Heavy Duty Hinges  
Variable Overlay & 3/8" Inset**



- Traditional semi-concealed styling
- Dual compression spring mechanism
- Heavy duty hinges have wider and thicker door plates
- Standard Duty screws included: (2) #6 x 5/8" and (3) #6 x 1/2"
- Heavy Duty screws included: 7628 has (5) #5 x 5/8", 7629 has (2) #5 x 5/8" and (3) #5 x 1/2"

	Finish	Item #	Sold In
Variable Overlay	<b>Standard Duty</b>		
	Burnished Brass	AMC7139-BB	100 Pairs/Box
	Satin Nickel	AMC7139-G10	Per Pair
	Burnished Brass	AM3429-BB	Per Pair
	Flat Black	AM3429-FB	Per Pair
	Oil Rubbed Bronze	AM3429-ORB	Per Pair
	Satin Nickel	AM3429-G10	Per Pair
	<b>Heavy Duty</b>		
	Antique English	AM7629-AE	Per Pair
	Bright Chrome	AM7629-26	Per Pair
3/8" Inset	<b>Standard Duty</b>		
	Burnished Brass	AM3428-BB	Per Pair
	Flat Black	AM3428-FB	Per Pair
	Oil Rubbed Bronze	AM3428-ORB	Per Pair
	Satin Nickel	AM3428-G10	Per Pair
	<b>Heavy Duty</b>		
	Bright Chrome	AM7628-26	Per Pair

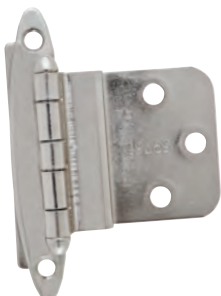


**Self-Closing Hinges  
Imperial Design, 3/8" Inset**



- Inset hinges have (5) #5 x 5/8" screws included

Finish	Item #	Sold In
Bright Chrome	AM7928-26	Per Pair
Oil Rub Bronze	AM7928-ORB	Per Pair
Satin Nickel	AM7928-G10	Per Pair



**Free Swinging Hinges  
Modern Design, 3/8" Inset**



- Heavy duty 5 knuckle design
- Non-self closing traditional semi-concealed styling
- (2) #5 x 5/8" and (3) #5 x 1/2" screws included

Finish	Item #	Sold In
Satin Nickel	AM3417-G10	Per Pair
Oil Rubbed Bronze	AM3417-ORB	Per Pair



**FREE SWINGING FULL INSET HINGES**



**Full Inset, Partial Wrap, Free Swinging Hinges  
Ball Tip for 3/4" Thick Doors**



- (2) #6 x 5/8" and (4) #6 x 1/2" screws included

Finish	Item #	Sold In
Oil Rubbed Bronze	AM3180TB-ORB	Per Each
Satin Nickel	AM3180TB-G10	Per Each



**Full Inset, Partial Wrap, Free Swinging Hinges  
Minaret Tip For 3/4" Thick Doors**



- (2) #6 x 5/8" and (4) #6 x 1/2" screws included

Finish	Item #	Sold In
Oil Rubbed Bronze	AM3180TM-ORB	Per Each
Satin Nickel	AM3180TM-G10	Per Each



**Full Inset, Full Wrap, Free Swinging Hinges  
Ball Tip for 3/4" Thick Doors**



- (3) #6 x 5/8" and (4) #6 x 1/2" screws included

Finish	Item #	Sold In
Flat Black	AM3175TB-FB	Per Each
Oil Rubbed Bronze	AM3175TB-ORB	Per Each
Satin Nickel	AM3175TB-G10	Per Each



**Full Inset, Full Wrap, Free Swinging Hinges  
Minaret Tip for 3/4" Thick Doors**



- Screws included: (3) #6 x 5/8" and (4) #6 x 1/2"

Finish	Item #	Sold In
Oil Rubbed Bronze	AM3175TM-ORB	Per Each
Satin Nickel	AM3175TM-G10	Per Each

A  
B  
C  
D  
E  
F  
G  
H  
I  
J  
K  
L  
M  
N  
O  
P  
Q  
R  
S  
T  
U  
V  
W  
X  
Y

**A PIN / KNIFE HINGES**

B  
C  
D  
E  
F  
G  
H  
I  
J  
K  
L  
M  
N  
O  
P  
Q  
R  
S  
T  
U  
V  
W  
X  
Y



**Non-Wrap Knife Pin Hinge, #4**



- 3/8" Inset
- Works on 3/8" lip inset doors only
- Minimum door thickness: 3/4"
- Door notch depth required: 11/16"
- Door notch length required: 1-3/4"
- All hinges come with (8) #6 x 5/8" screws
- Made in the USA
- Sold per pair and per box

Finish	Item # Per Pair	Item # 25 Pairs/Box	Item # 200 Pairs/Box
Antique Brass	YDL4ABP	YDL4AB	YDM4AB
Nickel	-	YDL4NK	-
White	YDL4WHP	YDL4WH	-



**Non-Wrap Knife Pin Hinge, #5**



- 1/4" Overlay
- Works on 1/4" to 5/16" overlay doors
- Minimum door edge thickness: 5/8"
- Door notch depth required: 9/16"
- Door notch length required: 1-7/8"
- All hinges come with (8) #6 x 5/8" screws
- Made in the USA
- Sold per box

Finish	Item # 25 Pairs/Box	Item # 200 Pairs/Box
Antique Brass	YDL5AB	YDM5AB
Nickel	YDL5NK	-
White	YDL5WH	-



**Non-Wrap Knife Pin Hinge, #6**



- 1/2" Overlay
- Works on 1/2" overlay doors
- Minimum door edge thickness: 5/8"
- Door notch depth required: 9/16"
- Door notch length required: 1-7/8"
- All hinges come with (8) #6 x 5/8" screws
- Made in the USA
- Sold per pair and per box

Finish	Item # Per Pair	Item # 25 Pairs/Box	Item # 200 Pairs/Box
Antique Brass	YDL6ABP	YDL6AB	YDM6AB
Nickel	-	YDL6NK	-
White	-	YDL6WH	-

**PIN / KNIFE HINGES**



**Non-Wrap Knife Pin Hinge, #65**



- 1/2" Overlay - low profile
- Works on 1/2" overlay doors
- Minimum door thickness: 1/2"
- Door notch depth required: 7/16"
- Door notch length required: 1-7/8"
- All hinges come with (8) #6 x 5/8" screws
- Made in the USA
- Sold per box

Finish	Item # 25 Pairs/Box	Item # 200 Pairs/Box
Antique Brass	YDL65AB	YDM65AB
Nickel	YDL65-NK	-
White	YDL65WH	-



**Non-Wrap Knife Pin Hinge, #8**



- 5/8" Overlay
- Works on 5/8" overlay doors
- Minimum door edge thickness: 3/4"
- Door notch depth required: 11/16"
- Door notch length required: 1-3/4"
- All hinges come with (8) #6 x 5/8" screws
- Made in the USA
- Sold per box

Finish	Item # 25 Pairs/Box
Antique Brass	YDL8AB



**Hinge Screws**

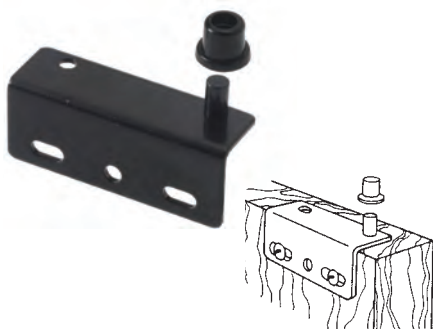


- Pan head phillips drive
- Course thread
- Type 17 point
- Sold per box

Finish	Size	Item # 1,000/Box
Antique Brass	#6 x 1"	YDS6X1AB
Nickel	#6 x 1"	YDS6X1NK
Nickel	#6 x 5/8"	YDSNK

**A PIVOT HINGES & BUTT HINGES**

B  
C  
D  
E  
F  
G  
H  
I  
J  
K  
L  
M  
N  
O  
P  
Q  
R  
S  
T  
U  
V  
W  
X  
Y



**Pivot Hinges For Inset Doors**



- Steel pivot hinge, black oxidized finish and 9mm nylon pivot bushing
- Accommodates door thicknesses of 1/2" to 5/8"
- Top and bottom door mount with 23/64" (9mm) dia. hole to accept nylon bushing
- Slotted screw holes allow for side-to-side adjustment, screws not included

Item #	Color	Sold In
SYHT-57	Black	Per Pair



**Concealed Pivot Hinge For Flush/Inset Doors**



- Die-cast metal door mounting plates fasten to the top and bottom of the door back allows for easy removal of door
- Pivot section inserts into the frame via a 23/64" hole for nylon bushing
- Allows for door adjustment of 3/16" side-to-side and 1/8" back-to-back
- Nickel plated and unhandled
- Accommodates wood door thicknesses from 9/16" to 3/4"
- Screws not included

Item #	Finish	Sold In
SYH-704U	Bright Nickel Plated	Per Each



**Butt Hinge, Fast (Non-Removable) Pin**



- All purpose, light duty utility hinges
- Countersunk holes for full surface or mortise application

Item #	Length x Open Width	Knuckles	Finish	Sold In
SYH666212Z	2-1/2" x 1-11/16"	5	Bright Zinc Plated	Per Each



**Narrow Butt Hinge**



- Designed for light duty use
- Tight pin design
- Screws sold separately
- Made of Steel

Item #	Size	Description	Finish	Sold In
FE666-1.5	1-1/2"	Steel Butt Hinge	Brass	Per Pair

**GLASS DOOR HINGES**

A  
B  
C  
D  
E  
F  
G  
H  
I  
J  
K  
L  
M  
N  
O  
P  
Q  
R  
S  
T  
U  
V  
W  
X  
Y



**Pivot Hinges For Inset Flush Doors**

- Screws lock hinge to glass
- Glass Thickness: 1/8" - 1/4"
- Angle of Opening: 140° when flush mounted
- Top/bottom mounting via a 5/16" diameter hole in both the top and bottom of the cabinet



Item #	Face Plate Size	Finish	Bullet Catch	Sold In
WDT2245	7/8"H x 1-15/16"W	Bright Chrome	No	Per Pair



**Pivot Hinge For Inset Doors**

- Screws lock hinge to glass
- Does not include bullet catch, requires the use of a latch to hold the door closed
- Glass Thickness: 1/8" - 3/16"
- Angle of Opening: 120° when flush mounted
- Top/bottom mounting via a 5/16" diameter hole in both the top and bottom of the cabinet



Item #	Face Plate Size	Finish	Sold In
WDT7026	1/2"H x 1-1/2"W	Bright Chrome	Per Pair



**Side Wall Mounted Hinges For Inset Doors**

- Self-locking, removable catch converts to free-swinging. Fully adjustable elongated screw holes
- Hinge is fixed to the door with a rubber backed metal clamp screw to prevent slip
- Glass Thickness: 3/16" - 1/4"      • Angle of Opening: 170°
- Mounting: Sidewall, Top & Bottom      • Min. Reveal Top & Bottom: 3/32"
- Glass Door Max. Weight and Size: 22 lbs., 39-3/8" x 23-5/8"



Item #	Face Plate Size	Finish	Sold In
WDT2249	1-3/16"H x 1-9/16"W	Black Painted	Per Pair
WDT2251	1-3/16"H x 1-9/16"W	Bright Chrome	Per Pair



**Glass Door Hinges w/Large Pocket Inset**

- Positive self-locking catch in this larger "pocket hinge" opens 160°
- Glass is secured with large rubber-tipped screw
- For glass up to 1/4" thick
- Screw holes in cabinet member on 16mm centers
- Die cast metal
- Sold per pair



Item #	Dimensions	Finish	Sold In
SYHT1027CH	1-3/16"H x 1-9/16"W	Bright Chrome	Per Pair

**A SPECIALTY HINGES**



**Folding Table Flap Hinge**

- Made of zinc die cast and is designed to be used in conjunction with a lid support as the hinge is free swinging
- Designed to be used with 5/8" thick material
- 3 way adjustability: 1/8" side-to-side, 1/8" back-to-back and 1/16" up and down
- Installation requires a 1-3/8" (35mm) dia. hole, 15/32" (12mm) D and centered 11/32" from edge of two surface opening angle is 90°
- Screws not included

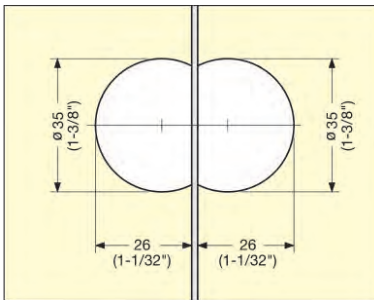


Item #	Size	Style	Sold In
WDT2351	57mm L x 38.6mm W	Free Swing	Per Each



**Drop Lid Adjustable Hinge**

- Opening angle 90°
- 2-way adjustment, overlay and door gap
- Flush when opened, ideal for writing desk application
- Can be used with soft down stay SDS-100, NSDX-10 or HDS-10
- Door Thickness: 5/8" - 3/4"
- Overlay Coverage: 9/16" - 5/8"
- Recommended use: 2 hinges panel size = 35-1/2"W x 20"H
- Recommended use: 3 hinges panel size = 47-1/4"W x 20"H
- Sold per each



**Bore Dimensions**

Right Hand Item #	Material	Finish	Sold In
SGSDH-001NI	Zinc Alloy	Nickel	Per Each



**Flap Hinges, Concealed Hinge Design  
90° Self Closing**

- Designed to be used for drop flaps opening to a 90 degree angle
- Mounting plate to be used in a 32mm hole pattern on cabinet side wall and will position hinge cup 1/8" (6mm) from the sidewall
- Hinge has front adjustment +2mm and -1.5mm and is available in left and right handed models
- Screws not included



Item #	Description	Material/Finish	Sold In
HET1083935	RH Hinge	Steel/Nickel Plated	Per Each
HET1083936	LH Hinge	Steel/Nickel Plated	Per Each
HET1079222	Mounting Plate	Steel/Nickel Plated	Per Each

**SECTION D - TABLE OF CONTENTS**

**Section D Contents:**

National Lock Overview ..... 2

Removacore Locks ..... 3

Disc Tumbler Locks ..... 4-7

Pin Tumbler Locks ..... 7-9

National Lock Accessories ..... 10-11

SlamCAM/SlamStrike ..... 12

Keyless Locks ..... 13-15

Timberline Lock Overview ..... 16

Timberline Lock Cylinder Bodies ..... 17-26

Anti-Tip Interlock System ..... 27

Glass Door Locks ..... 28-29

Timberline Lock Plugs  
& Accessories ..... 30-31

Olympus Lock overview ..... 32

Olympus Padlockable Camlock ..... 33

Olympus Pin Tumbler Locks ..... 34-35

Cam Lock Bodies ..... 36-37

Olympus SFIC Cylinders ..... 38

Olympus Lock Accessories ..... 39-41

Specialty & Showcase Locks ..... 42-44

Strikes & Catches ..... 45-55

A  
B  
C  
**D**  
E  
F  
G  
H  
I  
J  
K  
L  
M  
N  
O  
P  
Q  
R  
S  
T  
U  
V  
W  
X  
Y



**OLYMPUS  
LOCK**  
INC



## A NATIONAL LOCK OVERVIEW

### B A Lock Is A Lock.....Or Is It?

### C Disc Tumbler, Pin Tumbler & Deadbolt Locks:

**D Disc Tumbler Cam Locks** sometimes referred to as “wafer locks” are inexpensive, low security locks with limited keying capabilities. Master keying for disc tumbler locks is limited to only one level. The disc tumbler lock consists of chambers with only one disc per chamber which raises or lowers as the key passes through the window that is cut into the disc. Disc tumblers are not intended for high-use or high security applications because they wear out quicker and are easier to bypass than pin tumbler locks.

**G Pin Tumbler Cam Locks** are medium security utility locks that have greater keying capabilities. In commercial applications where large numbers of locks will be installed within a facility, pin tumbler locks are typically used because they allow the more complex master keying required in larger institutional settings such as schools, banks, and hospitals. The pin tumbler consists of chambers that contain at least two pins per chamber which raises or lowers as the key passes through. This type of lock is harder to bypass than disc tumbler locks.

**J Deadbolt Locks** are typically longer lasting than disc tumbler locks. A cam lock is chosen many times because it is the least expensive and most versatile alternative available. Cam locks, however, do not stand up to heavy use or provide the same level of security as a lock dedicated specifically for a door or drawer application. Dedicated door and drawer locks have a heavy duty deadbolt to secure the cabinet—a cam lock’s security is only as good as the screw which holds the cam in place.

#### L Understanding Keyed Locks:

**M 1. Keyed Different: (KD)** All locks in the item number will have a different key number. Each set of keys will only work with the lock it was supplied with. When ordering Keyed Different (KD) locks from our stock you do not need to choose a key number nor will you be able to specify a key number. The only way to specify certain key numbers is through **Special Order**. An example of an item number for keyed different lock is NC8173KD-26D. The KD in the part number denotes every lock you receive will have a different key number; **master keys will not work on these locks.**

**P 2. Keyed Alike: (KA)** All locks in the item number will have the same key number. Each set of keys will work with ALL locks ordered with the same key number. An example of an item number for keyed different lock is NC8053-C415A-14A. The KA in the part number denotes every lock you receive will have the same key number. There is no need for a master key with these locks as they will all open with each others’ key.

**R 3. Keyed Different, Master Keyed: (MKKD)** All locks in the item number will have a different key number. Each set of keys will only work with the lock it was supplied with. A Master Key (sold separately) will open all locks ordered. An example of an item number for keyed different lock is NC8053-MKKD-14A. The MKKD in the item number denotes every lock you receive will have a different key number, but you can order a Master Key which will open them all. **Remember, it is the lock that allows a master key to work, not the key itself.**

**S 4. Keyed Alike, Master Keyed** – Special Order Only. Used when locks are required to be keyed alike within groups and a different key number is required for each group. A Master Key (sold separately) will open all locks ordered. **Remember, it is the lock that allows a master key to work, not the key itself.**



**UNASSEMBLED DISC TUMBLER CAM LOCKS**



**Removacore™ Housings and Plugs Masterkeyed**



- 90° Cam turn locks come with one stop washer allowing cam to turn 90°
- Removacore locks are factory masterkeyed
- Once assembled, the masterkey for the Removacores will open any pre-assembled disc tumbler from CompX National that is factory masterkeyed
- For drawers, RH or LH doors either lipped, flush or overlay
- Requires 3/4" diameter hole for installation
- Key removable in both positions
- Control key is required to install core plugs into cylinder assembly
- Plugs supplied with 2 keys. Housing supplied with trim washer, spur washer (for wood), mounting nuts and two cams (Straight: 1-1/2" extension; Formed: 1-1/8" extension and 11/32" offset)
- Cannot mix assembled locks (i.e. C8053) with this product, they are not master keyed

**NOTE: Order cylinder assembly, core plug and control key separately.**

**Cylinder Assemblies Only**

Item #	Cylinder Length	Max Material Thickness	Cam Turn	Finish	Same as Assembled Lock
NCM57054C-14A	1-3/16"	7/8"	90°	Bright Nickel	NC8053
NCM57054L-14A	1-7/16"	1-1/8"	90°	Bright Nickel	NC8055
NCM57054N-14A	1-3/4"	1-7/16"	90°	Bright Nickel	NC8060



**Core Plugs for Above Cylinder Assemblies**

Keyed Alike Item #	Finish
NCM47054KA346-14A	Bright Nickel
NCM47054KA390-14A	Bright Nickel
NCM47054KA413-14A	Bright Nickel
NCM47054KA415-14A	Bright Nickel
NCM47054KA642-14A	Bright Nickel



Item #	Description
NE41A	MasterKey
ND8779	Control Key (used for installation)

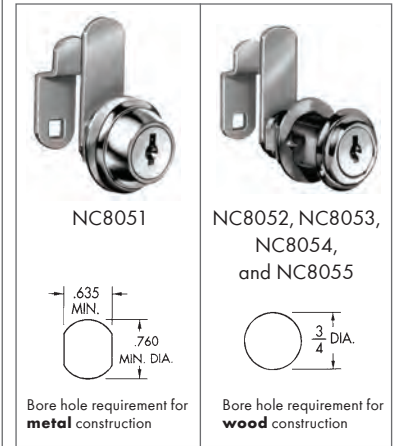
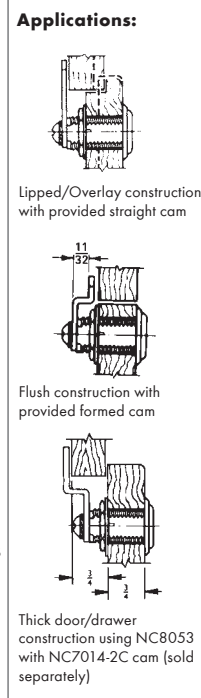
A  
B  
C  
D  
E  
F  
G  
H  
I  
J  
K  
L  
M  
N  
O  
P  
Q  
R  
S  
T  
U  
V  
W  
X  
Y

**A DISC TUMBLER CAM LOCKS**

**B For Doors And Drawers**

**C 90° Cam Turn, Flush or Lipped/Overlay Construction**

- Each lock comes with (1) stop washer which allows the cam to turn 90°
- For drawers, right-hand or left-hand doors
- Lipped/overlay construction (straight cam; 1-1/2" extension) or flush construction (formed cam; 1-1/8" extension, 11/32" offset)
- For overlay application, the combined thickness of front and frame cannot exceed the cylinder length listed below. To accommodate an overlay construction using a 3/4" front and a 3/4" frame, order the NC8053 lock and the NC7014-2C cam (see page D-10).
- Key removable in both locked and unlocked positions
- Includes two keys, trim washer, spur washer (for wood), mounting nut and two cams
- **Stock Keying is specified on table below:**  
 KA = All Keyed Alike to key number specified, master key will not work on these locks  
 KD = All Keyed Different, various lock numbers, master key will not work on these locks  
 MKKD = All Keyed Different and master keyed, master key will work on these locks
- Other key changes available from National Lock via Special Order



Unassembled Removacore versions of this lock available on page D-3.

Keying	Cylinder Length	Max Material Thickness	Antique Brass Item #	Bright Brass Item #	Bright Nickel Item #
KA 415	7/16"	7/64"	-	-	NC8051-C415A-14A
KA346	5/8"	15/64"	-	-	NC8052-C346A-14A
KA415	5/8"	15/64"	-	-	NC8052-C415A-14A
KA 346	15/16"	5/8"	-	-	NC8054-C346A-14A
KA 413	15/16"	5/8"	-	-	NC8054-C413A-14A
KA 415	15/16"	5/8"	-	-	NC8054-C415A-14A
KA 346	1-3/16"	7/8"	NC8053-346A-4G	NC8053-C346A-3	NC8053-C346A-14A
KA 390	1-3/16"	7/8"	-	-	NC8053-C390A-14A
KA 413	1-3/16"	7/8"	NC8053-C413A-4G	NC8053-C413A-3	NC8053-C413A-14A
KA 415	1-3/16"	7/8"	NC8053-C415A-4G	NC8053-C415A-3	NC8053-C415A-14A
KA 420	1-3/16"	7/8"	NC8053-C420A-4G	NC8053-C420A-3	NC8053-C420A-14A
KA 642	1-3/16"	7/8"	-	-	NC8053-C642A-14A
KD	1-3/16"	7/8"	NC8053-KD-4G	-	NC8053-KD-14A
MKKD	1-3/16"	7/8"	NC8053-MKKD-4G	NC8053-MKKD-3	NC8053-MKKD-14A
KA 346	1-7/16"	1-1/8"	NC8055-C346A-4G	NC8055-C346A-3	NC8055-C346A-14A
KA 390	1-7/16"	1-1/8"	-	-	NC8055-C390A-14A
KA 413	1-7/16"	1-1/8"	-	-	NC8055-C413A-14A
KA 415	1-7/16"	1-1/8"	NC8055-C415A-4G	NC8055-C415A-3	NC8055-C415A-14A
KA 420	1-7/16"	1-1/8"	-	-	NC8055-C420A-14A
KA 642	1-7/16"	1-1/8"	-	-	NC8055-C642A-14A
KD	1-7/16"	1-1/8"	-	-	NC8055-KD-14A
MKKD	1-7/16"	1-1/8"	-	-	NC8055-MKKD-14A

## DISC TUMBLER CAM LOCKS

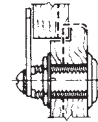
### For Doors And Drawers

#### 90° & 180° Cam Turn, Flush or Lipped/Overlay Construction

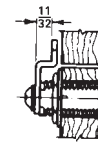
- Each lock comes with two stop washers allowing cam to turn either 90° or 180° based on application
- For drawers, right-hand or left-hand doors
- Lipped/overlay construction (straight cam; 1-1/2" extension) or flush construction (formed cam; 1-1/8" extension, 11/32" offset)
- For overlay application, the combined thickness of front and frame cannot exceed the cylinder length listed below. To accommodate an overlay construction using a 3/4" front and a 3/4" frame, order the NC8073 lock and the NC7014-2C cam (see page D-10).
- Key removable in both locked and unlocked positions
- Supplied with two keys, trim washer, spur washer (for wood), mounting nut, two cams and two stop washers
- Unassembled Removacore™ versions of this lock available on page D-3
- **Stock Keying is specified on table below:**  
 KA = All Keyed Alike to key number specified, master key will not work on these locks  
 KD = All Keyed Different, various lock numbers, master key will not work on these locks  
 MKKD = All Keyed Different and master keyed, master key will work on these locks
- Other key changes available from National Lock via Special Order



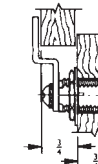
#### Applications:



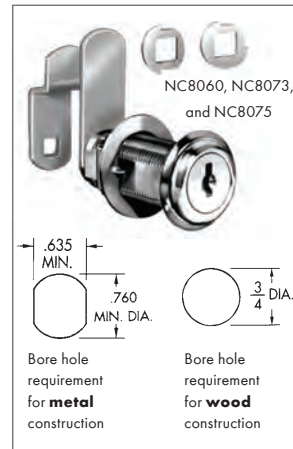
Lipped/Overlay construction with provided straight cam



Flush construction with provided formed cam



Thick door/drawer construction using NC8073 with NC7014-2C cam (sold separately)



**2" cylinder length now available!**  
see NC8061 below

Keying	Cylinder Length	Max Material Thickness	Antique Brass Item #	Bright Brass Item #	Bright Nickel Item #
KA 346	1-3/4"	1-7/16"	NC8060-C346A-4G	NC8060-C346A-3	NC8060-C346A-14A
KA 390	1-3/4"	1-7/16"	-	-	NC8060-C390A-14A
KA 413	1-3/4"	1-7/16"	-	-	NC8060-C413-14A
KA 415	1-3/4"	1-7/16"	NC8060-C415A-4G	NC8060-C415A-3	NC8060-C415A-14A
KA 420	1-3/4"	1-7/16"	-	-	NC8060-C420A-14A
KA 642	1-3/4"	1-7/16"	-	-	NC8060-C642A-14A
KD	1-3/4"	1-7/16"	-	-	NC8060-KD-14A
MKKD	1-3/4"	1-7/16"	-	-	NC8060-MKKD-14A
KA 346	1-3/16"	7/8"	-	-	NC8073-C346A-14A
KA 390	1-3/16"	7/8"	-	-	NC8073-C390A-14A
KA 413	1-3/16"	7/8"	-	-	NC8073-C413A-14A
KA 415	1-3/16"	7/8"	NC8073-C415A-4G	NC8073-C415A-3	NC8073-C415A-14A
KA 420	1-3/16"	7/8"	-	-	NC8073-C420A-14A
KA 642	1-3/16"	7/8"	-	-	-
KD	1-3/16"	7/8"	-	-	NC8073-KD-14A
KA 346	1-7/16"	1-1/8"	-	-	NC8075-C346A-14A
KA 415	1-7/16"	1-1/8"	-	-	NC8075-C415A-14A
KA 415	2"	1-13/16"	-	-	NC8061-C415A-14A

A  
B  
C  
D  
E  
F  
G  
H  
I  
J  
K  
L  
M  
N  
O  
P  
Q  
R  
S  
T  
U  
V  
W  
X  
Y

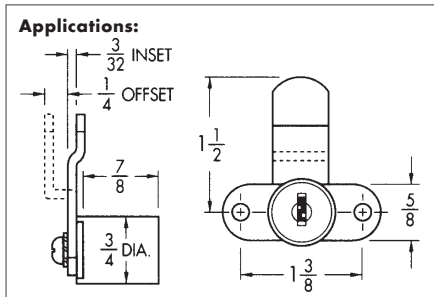
**A DISC TUMBLER CAM/DEADBOLT LOCKS**



NC8080

**Surface Mounted For Doors and Drawers  
90° and 180° Cam Turn, Flush or Lipped/  
Overlay Construction**

- Each lock comes with two stop washers allowing cam to turn either 90° or 180° based on application
- Key removable in both locked and unlocked positions
- Supplied with two keys, mounting screws, and two stop washers
- Other key changes available from National Lock via Special Order



Keying	Cylinder Length	Max Material Thickness	Bright Brass Item #	Bright Nickel Item #
KA 390	7/8"	7/8"	-	NC8080-C390A-14A
KA 415	7/8"	7/8"	NC8080-C415A-3	NC8080-C415A-14A
KD	7/8"	7/8"	-	NC8080-KD-14A



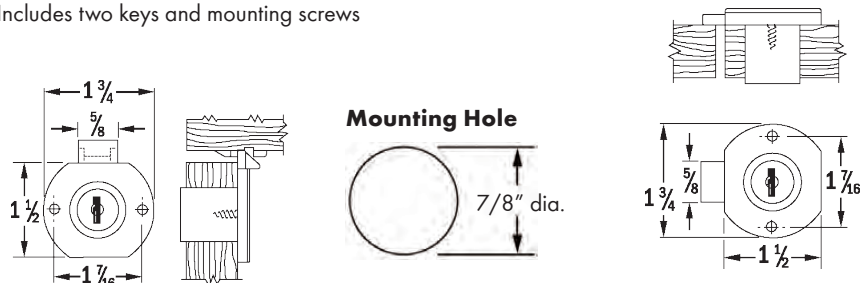
NC8703, 8705

NC8704

**Disc Tumbler Deadbolt Locks  
Surface Mounted for Drawers or Doors**



- Requires 7/8" diameter hole for cylinder
- Key required to engage lock and is removable in both locked and unlocked positions
- Includes two keys and mounting screws



NOTE: Other cylinder lengths, finishes and key codes available. Contact your Würth Louis and Company Representative for more information.

Keying	Cylinder Length	Max. Material Thickness	Antique Brass Item #	Bright Brass Item #	Bright Nickel Item #
<b>For Drawers</b>					
KA 346	15/16"	11/32"	-	-	NC8703-C346A-14A
KA 413	15/16"	11/32"	-	-	NC8703-C413A-14A
KA 415	15/16"	11/32"	NC8703-C415A-4G	NC8703-C415A-3	NC8703-C415A-14A
KD	15/16"	11/32"	-	-	NC8703-KD-14A
MKKD	15/16"	11/32"	-	-	NC8703-MKKD-14A
KA 415	1-3/16"	11/32"	-	-	NC8705-C415A-14A
<b>For Doors</b>					
KA 346	15/16"	11/32"	-	-	NC8704-346-14A
KA 415	15/16"	11/32"	NC8704-C415A-4G	-	NC8704-C415A-14A

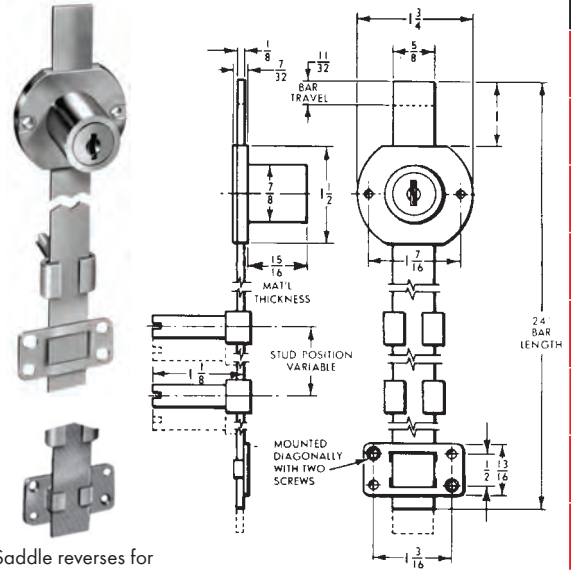
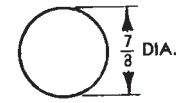
## DISC TUMBLER GANG/PIN TUMBLER CAM LOCKS

### Disc Tumbler Gang Lock Multiple Drawer Applications

- For locking drawers in desk pedestals and other multiple drawer applications
- Requires 7/8" diameter hole for cylinder, and dado for bar measuring 7/8" x 1/8" deep on inside of panel
- Key removable in both locked and unlocked positions
- Turning the key locks all drawers simultaneously (drawers must be in closed position); bar moves studs into notch in drawer or slide, preventing drawer movement
- Supplied with two keys, three locking studs, three stud slides, saddle and mounting screws. If trim ring is required, see NC2017 Series on page D-10.
- Stock Keying is specified on table below:  
KA = All Keyed Alike to key number specified, master key will not work on these locks

Keying	Cylinder Length	Bar Travel	Bright Nickel Item #
KA 415	15/16"	11/32"	ND8090-C415A-14A

Bore hole requirements; also requires 7/8" x 1/8" deep dado for bar on inside of panel

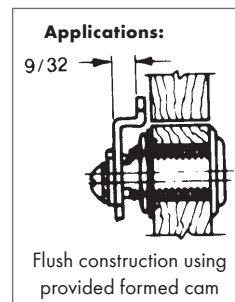


Saddle reverses for mortise application

### Pin Tumbler Cam Locks For Door And Drawers 90° Cam Turn, Flush Construction

- Each lock comes with one stop washer which allows the cam to turn 90°
- For drawers, right-hand or left-hand doors
- Key removable in both locked and unlocked positions
- Supplied with two keys, trim washer, spur washer (for wood), mounting nut and two cams (1-1/8" extension, 9/32" offset)
- Stock Keying is specified on table below:  
KA = All Keyed Alike to key number specified, master key will not work on these locks

Keying	Cylinder Length	Max Material Thickness	Satin Chrome Item #
KA107	1-7/16"	1-1/8"	NC8106-107-26D
KA 915	1-7/16"	1-1/8"	NC8106-915-26D
KA107	1-3/4"	1-3/8"	NC8108-107-26D
KA 915	1-3/4"	1-3/8"	NC8108-915-26D



NC8106, NC8108

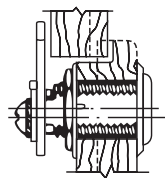
Bore hole requirement for **metal** construction

Bore hole requirement for **wood** construction

A  
B  
C  
D  
E  
F  
G  
H  
I  
J  
K  
L  
M  
N  
O  
P  
Q  
R  
S  
T  
U  
V  
W  
X  
Y

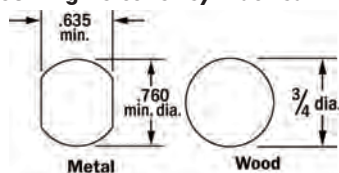
**A PIN TUMBLER CAM LOCKS**

B  
C  
D  
E  
F  
G  
H  
I  
J  
K  
L  
M  
N  
O  
P  
Q  
R  
S  
T  
U  
V  
W  
X  
Y



Lipped/Overlay

**Mounting Holes For Cylinder Cam Locks**



**Pin Tumbler Cam Locks 90° Cam Turn, Lipped/Overlay Construction**

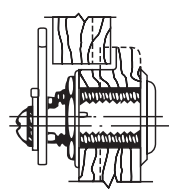


- For drawers, right-hand or left-hand doors
- For overlay application, the combined thickness of front and frame cannot exceed the cylinder length listed below
- Key removable in both locked and unlocked positions
- Includes 2 keys, trim washer, spur washer (for wood), mounting nut and 2 cams (1-1/8" extension)

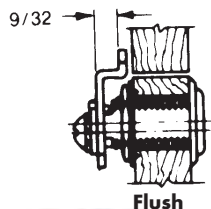
**Each lock contains 4 different Cams to accommodate most applications.**

NOTE: Other cylinder lengths, finishes and key codes available. Contact your Würth Louis and Company Representative for more information.

Keying	Cylinder Length	Max Material Thickness	Satin Brass Item #	Satin Chrome Item #
<b>90° Cam Turn</b>				
Key #101	1-3/16"	7/8"	-	NC8103-101-26D
Key #103	1-3/16"	7/8"	-	NC8103-103-26D
Key #107	1-3/16"	7/8"	-	NC8103-107-26D
Key #915	1-3/16"	7/8"	-	NC8103-C915A-26D
Key #915	1-3/4"	1-1/2"	NC8109-915-4	NC8109-915-26D
Key #101	1-3/4"	1-1/2"	-	NC8109-101-26D
Key #103	1-3/4"	1-1/2"	-	NC8109-103-26D
Key #107	1-3/4"	1-1/2"	-	NC8109-107-26D
Keyed Different	1-3/4"	1-1/2"	-	NC8109-KD-26D

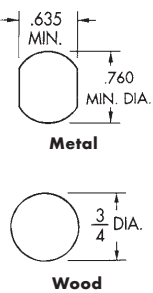


Lipped/Overlay



Flush

**Mounting Holes For Cylinder Cam Locks**



**Pin Tumbler Cam Locks For Door And Drawers 90° Cam Turn, Lipped/Overlay or Flush Construction**



- Multi-Functional Pin Tumbler Cam Lock with a 1-1/16" Cylinder Length
- The lock is packaged with four (4) cams, two straight and two double formed
- This allows the lock to be used for multiple applications for either drawer or right hand/left hand
- Key removable in both locked and unlocked positions doors with lipped or overlay construction
- Key removable in both locked and unlocked positions
- Supplied with two keys, trim washer, spur washer for wood, C2014 cam lock mounting plate for wood, mounting nut and two cams

Keying	Cylinder Length	Max Material Thickness	Satin Brass Item #	Satin Chrome Item #
KA 101	1-1/16"	3/4"	-	NC8102-101-26D
KA 103	1-1/16"	3/4"	-	NC8102-103-26D
KA 107	1-1/16"	3/4"	-	NC8102-107-26D
KA 915	1-1/16"	3/4"	NC8102-915-4	NC8102-915-26D
KD	1-1/16"	3/4"	-	NC8102-KD-26D

## PIN TUMBLER DEADBOLT LOCKS

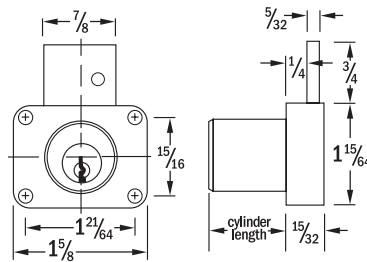
### Pin Tumbler Deadbolt Locks Surface Mounted for Drawers or Doors

- Requires 57/64" diameter hole for cylinder
- Key required to engage lock and is removable in both locked and unlocked positions
- Advantage PLUS feature makes key changes easier by allowing you to remove the cylinder while the lock remains in place with a 5/64" allen wrench- no mounting screws need to be removed
- All are ANSI/BHMA certified Grade 2 A156.11 (Grade 1 available special order)
- Supplied with two keys, strike and mounting screws

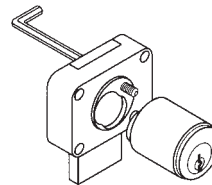
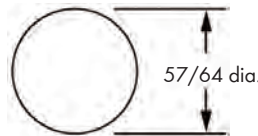
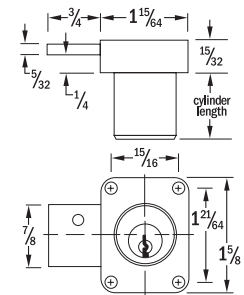
Non-Magnetic and  
Non-Ferrous versions  
available for MRI



NC8178, C8179,  
C8180



NC8173



For more information about  
BHMA certified locks,  
visit [comp.x.com/csp\\_bhma.html](http://comp.x.com/csp_bhma.html)

NOTE: Other cylinder lengths, finishes and key codes available. Contact your Würth Louis and Company Representative for more information.

Keying	Cylinder Length	Max Material Thickness	Satin Chrome Item #
<b>For Drawers</b>			
Key #101	7/8"	3/4"	NC8178-101-26D
Key #103	7/8"	3/4"	NC8178-C103A-26D
Key #107	7/8"	3/4"	NC8178-107-26D
Key #915	7/8"	3/4"	NC8178-915-26D
KD	7/8"	3/4"	NC8178-KD-26D
Key #915	1-1/8"	3/4"	NC8177-C915A-26D
Key #101	1-3/8"	3/4"	NC8179-101-26D
Key #103	1-3/8"	3/4"	NC8179-103-26D
Key #107	1-3/8"	3/4"	NC8179-107-26D
Key #915	1-3/8"	3/4"	NC8179-915-26D
Key #915	1-5/8"	3/4"	NC8180-C915A-26D
<b>For Doors</b>			
Key #101	7/8"	3/4"	NC8173-101-26D
Key #103	7/8"	3/4"	NC8173-103-26D
Key #103	7/8"	3/4"	NC8173-107-26D
Key #915	7/8"	3/4"	NC8173-915-26D
KD	7/8"	3/4"	NC8173-KD-26D
MKKD	7/8"	3/4"	NC8173-MKKD-26D

A  
B  
C  
D  
E  
F  
G  
H  
I  
J  
K  
L  
M  
N  
O  
P  
Q  
R  
S  
T  
U  
V  
W  
X  
Y

**A CAM LOCK ACCESSORIES**



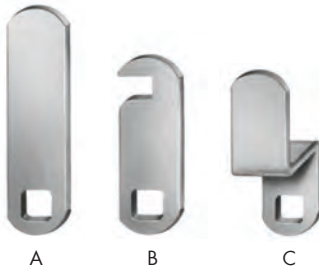
**Disc Tumbler Lock Keys**

NOTE: Masterkey will only work with Masterkeyed locks



Item #	Description
NE41A	5 disc tumbler replacement master key
NC8785-346	Cut Key #346 (non master key)
NC415A	Cut Key #415 (non master key)

B  
C  
D  
E  
F  
G  
H  
I  
J  
K  
L  
M  
N  
O  
P  
Q  
R  
S  
T  
U  
V  
W  
X  
Y



**Disc Tumbler Cams**

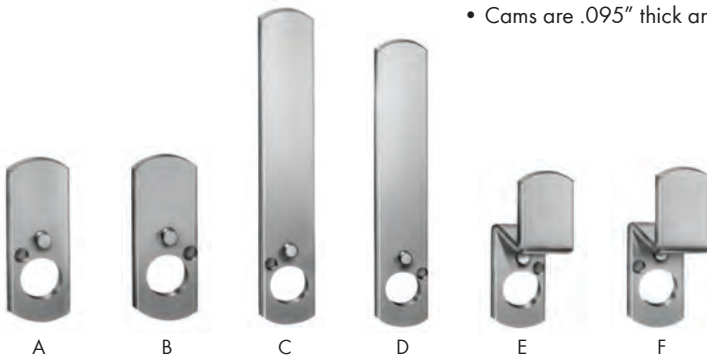
- Straight hook cams and double formed cams can be reversed when required



	Item #	Description	Length
A	NC7001-2C	Straight Cam	3/4"
	NC7004-2C	Straight Cam	2"
	NC7002	Straight Cam	1"
	NC7005-2C	Straight Cam	3"
	NC7003	Straight Cam	1-1/8"
B	NC7007-2C	Straight Hook Cam	1-1/8"
	NC7008-2C	Straight Hook Cam	1-1/2"
C	NC7009-2C	Double Formed Cam Offset	1-3/4" x 1/2" Offset
	NC7013-2C	Double Formed Cam Offset	1-1/8" x 3/8" Offset
	NC7014-2C	Double Formed Cam Offset	1-5/8" x 5/16" Offset

**Pin Tumbler Cams**

- Cams are .095" thick and .625" wide



	Item #	Description	Length	Offset
A	NC7101	Straight Cam	1-1/4"	-
B	NC7102	Straight Cam	1-1/4"	-
C	NC7104-2C	Straight Cam	3"	-
D	NC7105-2C	Straight Cam	3"	-
E	NC7114-2C	Double Formed Cam	1-5/8"	7/16"
F	NC7115-2C	Double Formed Cam	1-5/8"	7/16"



**Disc & Pin Tumbler Lock Trim Rings**

- 7/8" diameter trim ring
- Used to cover ragged edges around bored mounting holes



Item #	Finish
NC2017-26D	Satin Chrome



**CAM LOCK ACCESSORIES**



**Plastic Spacer, 1/8" Thick**

- Black Plastic Spacer for Pin Tumbler Door and Drawer Locks



<b>Item #</b>
NC2073



**Cam Lock Mounting Plate**

- Mounting plate for cam locks
- Screw mounted
- Use #8 screws, not included



Item #	Size	Finish
NC2016-2C	2-3/16" x 1-1/4"	Zinc Plated

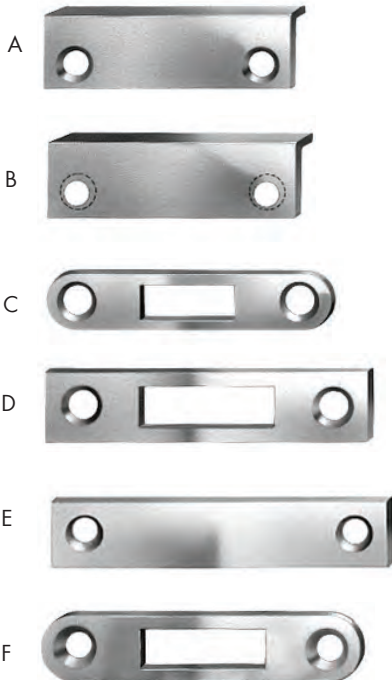


**Cam Lock Mounting Plate**

- Prevents entire cam lock from spinning in the application
- Recommended #8 screw, not included



Item #	Size	Finish
NC2014-2C	1-25/64" x 1-1/4"	Zinc Plated



**Strikes For Disc & Pin Tumbler Locks**

- Optional strikes for both disc and pin tumbler locks
- Furnished with screws to match the strike



	Bright Nickel Item #	Description	Overall Dimensions
A	NC2001-14A	Formed strike, no bolt hole	1-3/4" x 1/2" with 3/16" Form
B	NC2002-14A	Formed strike, no bolt hole, countersunk holes reserved	1-3/4" x 1/2" with 3/16" Form
C	NC2003-14A	Flat strike with rounded ends, 3/4" x 7/32" bolt hole	1-5/16" x 3/8"
D	NC2004-14A	Flat strike with square ends, 7/8" x 17/64" bolt hole	2-5/32" x 1/2"
E	NC2005-14A	Flat strike with square ends, no bolt hole	1-15/16" x 3/8"
F	NC2007-14A	Flat strike with rounded ends, 1-1/16" x 17/64" bolt hole	2-5/32" x 1/2"

A  
B  
C  
D  
E  
F  
G  
H  
I  
J  
K  
L  
M  
N  
O  
P  
Q  
R  
S  
T  
U  
V  
W  
X  
Y

A  
B  
C  
D  
E  
F  
G  
H  
I  
J  
K  
L  
M  
N  
O  
P  
Q  
R  
S  
T  
U  
V  
W  
X  
Y

# SLAMCAM/SLAMSTRIKE



## SlamCAM Spring Loaded Latch



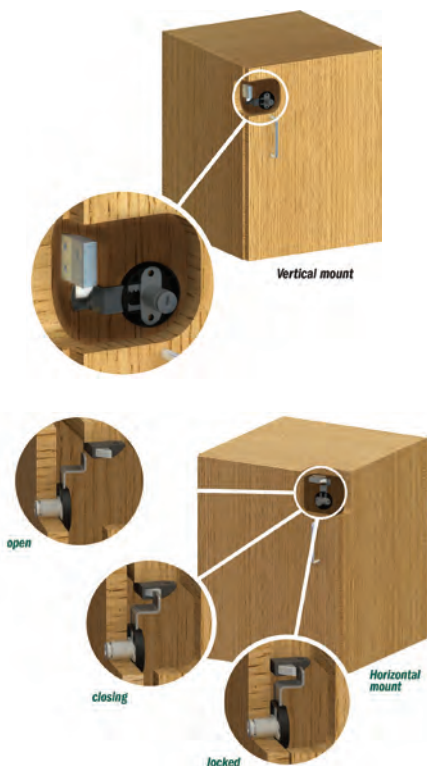
- Upgrade CompX National cam locks (C8051-C8075) to SlamCAM
- Self-locking feature uses spring tension to conveniently return the lock to the locked position
- Replacing steel cams with SlamCAM eliminates steel cams that crash into furniture or strikes while in the latched position
- Bent cams can cause locks not to secure properly or secure at all

**NOTE: Using the self-locking component adds 5/16" to the length of the lock.**

Additional note: Key removable only in "locked" position.

Item #	Size	Finish
<b>90° &amp; 180° Cam Turn</b>		
NC7017	13/16" W x 1-7/16"H x 25/32" D	Bright Nickel

## SlamStrike, Self-Locking, Spring Loaded



- Helps prevent damage if doors or drawers are closed with the lock in the latched position
- Mount either vertically or horizontally
- Fits within a 1/2" drawer slide clearance
- For new and retrofit applications, can be used with ANY CompX Lock separately
- Can be used with multiple drawer locking systems
- Minimum setback is 23/32"

NOTE: -B item numbers are Black; -W item numbers are white

Slam Strike Placement	Vertical Mount		Horizontal Mount	
	Black	White	Black	White
Hinge on Right	TMBSST-100B	TMBSST-100W	TMBSST-100B or TMBSST-200B	TMBSST-100W or TMBSST-200W
Hinge on Left	TMBSST-200B	TMBSST-200W	TMBSST-100B or TMBSST-200B	TMBSST-100W or TMBSST-200W



## KEYLESS LOCKS



### StealthLock, Keyless Cabinet Locking System, Radio Frequency Controlled

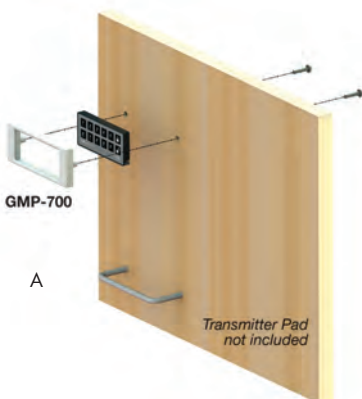


- For use in wood and wood product applications, phenolic resin and glass
- Radio frequency technology permits the Transmitter Pad to be stored anywhere
- Allows multiple cabinet doors or drawers to be locked from a single transmitter pad within a 15' range - one transmitter pad can activate an unlimited number of receiver latches
- Separate user and supervisor codes (4 to 8 digits) to operate the lock(s) - user programmable
- Low battery indicator on transmitter pad
- Designed to pass the ANSI/BIFMA 50 lb. pull strength specification

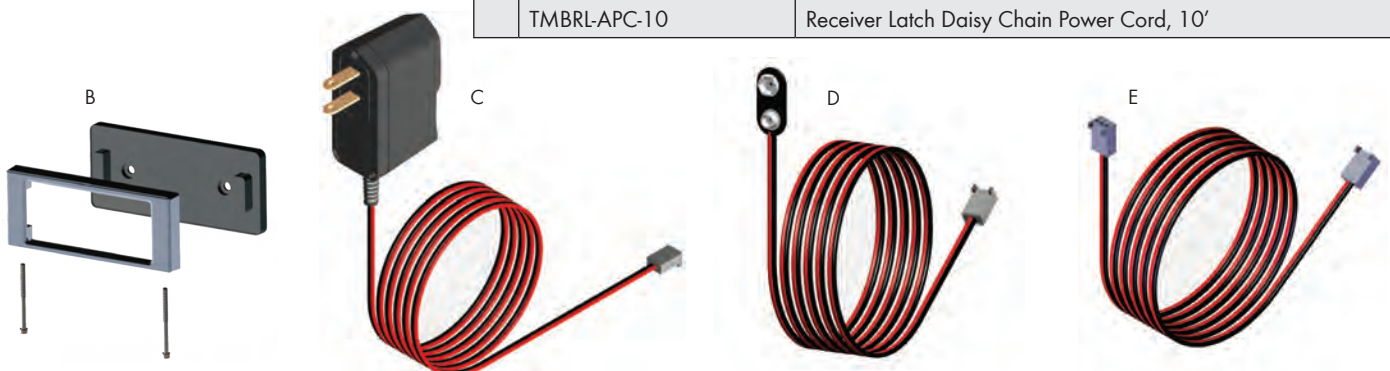
Visit [stealthlock.com](http://stealthlock.com) for additional information!

Item #	Description
TMBSL-100	Kit contains all parts necessary to lock one door or drawer. Includes: (1) receiver latch, (1) standard transmitter pad, (1) door/drawer strike plate, and (1) installation tool
TMBRL-110	Add-on Kit is needed to lock each additional door drawer operated by an existing transmitter pad. Includes (1) receiver latch and (1) door/drawer strike plate.
TMBMP-300SN	Backmounted bracket for securing transmitter pad, Satin Nickel
TMBRL-100	Receiver Latch Only
TMBTP-100	Standard Transmitter Pad only
TMBSP-600	Door/Drawer Strike Plate only
TMBTL-600	Installation Tool
TMBMP-300	Dedicated Transmitter Pad (Special Order only due to factory programmed settings)

### StealthLock Accessories



Item #	Description	
A	TMBMP-700	Mounting Plate, Satin Nickel
	TMBMP-700B	Mounting Plate, Black
B	TMBMP-300SN	Wall Mounting Plate, Satin Nickel
	TMBMP-300B	Wall Mounting Plate, Black
C	TMBRLAP1	Power Supply, 5-1/2' Cord
D	TMBRLAPC9VJ10	Power Cord, 9v Jump, 10' Cord
	TMBRLAPC3	Receiver Latch Daisy Chain Power Cord, 3'
	TMBRL-APC-5	Receiver Latch Daisy Chain Power Cord, 5'
E	TMBRL-APC-10	Receiver Latch Daisy Chain Power Cord, 10'



A  
B  
C  
D  
E  
F  
G  
H  
I  
J  
K  
L  
M  
N  
O  
P  
Q  
R  
S  
T  
U  
V  
W  
X  
Y

A  
B  
C  
D  
E  
F  
G  
H  
I  
J  
K  
L  
M  
N  
O  
P  
Q  
R  
S  
T  
U  
V  
W  
X  
Y

## KEYLESS LOCKS

### RegulatoR, Keyless/Push Button Lock

Keyless locking made easy! Electronic push button cabinet locks can be installed easily on new or retrofit applications.



Visit [compxregulator.com](http://compxregulator.com) for additional information!

**RegulatoR comes in 2 locking versions:**

- Self-locking features SlamCAM, a spring loaded latch, which allows the user simply to close the cabinet door or drawer – no need to return the knob to the locked position
- Manual locking version requires users to rotate the knob into the unlocked and locked positions

**RegulatoR is easy to use:**

- 20 codes per lock: 19 user codes and one supervisor code; code length is 4-8 digits

**RegulatoR is easy to maintain:**

- 75,000 cycles; extended battery life with low battery indicator
- Battery compartment is easily accessible from the outside of the cabinet

**RegulatoR is easy to install:**

- Four different keypad configurations: left and right hand, vertical and top vertical
- Install on new or retrofit applications; uses 3/4" diameter mounting hole

Item #	Lock Version	Mount Style	Cylinder Length
<b>Manual Locking</b>			
NCREGMLH-1	Manual	LH, Door - hinge on left side when facing cabinet	7/16"
NCREGMLH-3	Manual	LH, Door - hinge on left side when facing cabinet	1-3/16"
NCREGMLH-5	Manual	LH, Door - hinge on left side when facing cabinet	1-3/4"
NCREGMRH-1	Manual	RH, Door - hinge on right side when facing cabinet	7/16"
NCREGMRH-3	Manual	RH, Door - hinge on right side when facing cabinet	1-3/16"
NCREGMRH-5	Manual	RH, Door - hinge on right side when facing cabinet	1-3/4"
NCREGMT-1	Manual	Knob located at top, vertical application	7/16"
NCREGMT-3	Manual	Knob located at top, vertical application	1-3/16"
NCREGMT-5	Manual	Knob located at top, vertical application	1-3/4"
NCREGMV-1	Manual	Vertical Mount, knob located at bottom	7/16"
NCREGMV-3	Manual	Vertical Mount, knob located at bottom	1-3/16"
NCREGMV-5	Manual	Vertical Mount, knob located at bottom	1-3/4"
<b>Self-Locking</b>			
NCREGSL-1	Self-Locking	LH, Door - hinge on left side when facing cabinet	7/16"
NCREGSL-3	Self-Locking	LH, Door - hinge on left side when facing cabinet	1-3/16"
NCREGSL-5	Self-Locking	LH, Door - hinge on left side when facing cabinet	1-3/4"
NCREGSR-1	Self-Locking	RH, Door - hinge on right side when facing cabinet	7/16"
NCREGSR-3	Self-Locking	RH, Door - hinge on right side when facing cabinet	1-3/16"
NCREGSR-5	Self-Locking	RH, Door - hinge on right side when facing cabinet	1-3/4"
NCREGST-1	Self-Locking	Knob located at top, vertical application	7/16"
NCREGST-3	Self-Locking	Knob located at top, vertical application	1-3/16"
NCREGST-5	Self-Locking	Knob located at top, vertical application	1-3/4"
NCREGSV-1	Self-Locking	Vertical Mount, knob located at bottom	7/16"
NCREGSV-3	Self-Locking	Vertical Mount, knob located at bottom	1-3/16"
NCREGSV-5	Self-Locking	Vertical Mount, knob located at bottom	1-3/4"

## KEYLESS LOCKS

### ecoForce, No-Battery Push Button Cabinet Lock



**No battery**

- CompX ecoForce is a keyless, push button cabinet lock that does NOT require batteries, which is good for the environment and saves money

**Pushbutton Combination**

- Allows for one user code, from one to five digits long. Users can also simultaneously press up to five digits at one time
- If a user code is forgotten, ecoForce has a code discoverable feature

**Key Override**

- Unique key and keyway allow for access when combination is forgotten

**Available in two locking versions**

- Self-locking features SlamCAM, a spring loaded latch, allowing the user simply to close the cabinet door or drawer – no need to return the knob to the locked position
- Manual locking version requires the knob to be rotated into the unlocked and locked positions

**Four keypad configurations**

- LH Door/Drawer, RH Door/Drawer, Vertical - Door Application, Horizontal - Door Application



NOTE: Special order. Contact your Würth Louis and Company Sales or Customer Service Representative for additional information.

Visit [compxecoforce.com](http://compxecoforce.com) for additional information!



### Keyless Combination Cam Lock DualAxes, 90° Cam Turn



- Access the lock by combination or with a twist of the key
- All come masterkeyed
- 10,000 possible code combinations
- Retrofits into existing 3/4" wood or metal mounting holes, no need for additional modification
- Secure combinations, code can only be changed with the proper key and correct combination

Keying	Cylinder Length	Max. Material Thickness	Color	Item #
KA 108	7/8"	5/8"	Black	ND8030-DA108-19
KA 120	7/8"	5/8"	Black	ND8030-DA120-19
KD	7/8"	5/8"	Black	ND8030-KD-19
KA 108	1-3/8"	1-1/8"	Black	ND8031-DA108-19
KA 124	1-3/8"	1-1/8"	Black	ND8031-DA124-19
KD	1-3/8"	1-1/8"	Black	ND8031-KD-19

DualAxes Accessory Items:	
Description	Item #
Master key for use with Dual Axes Locks	ND8772
Lock plug removal key for Dual Axes Locks	ND8771
Key blank for use with Dual Axes Locks	ND8770

No Batteries Required!

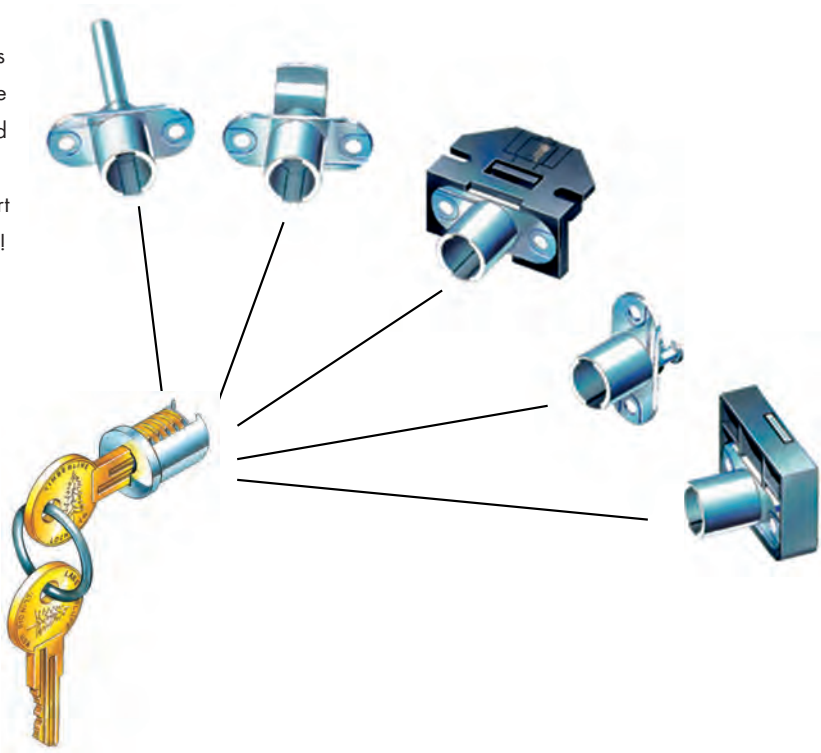
A  
B  
C  
D  
E  
F  
G  
H  
I  
J  
K  
L  
M  
N  
O  
P  
Q  
R  
S  
T  
U  
V  
W  
X  
Y

**A TIMBERLINE LOCK OVERVIEW**

**B Timberline Interchangeable Lock Plug System**  
**C One Lock Plug Fits All Cylinder Body Applications**



**D Why Interchangeable Lock Plugs?**  
 If a new key is required to work a series of locks, substantial time is spent removing the locks and rekeying them. In some instances, the cabinet locks are so difficult to rekey they are replaced and the old locks are scrapped - that cost adds up over time. With an interchangeable lock plug system, key changes are easy - simply insert the control key, remove the lock plug, and insert the new lock plug!



**H ANY LOCK PLUG**  
**I INSERTS INTO**  
**J ANY CYLINDER**  
**K BODY!**

- L Complete Keying Versatility:**
- M** • In the plant...furniture can be keyed easily to the customer's requirements at any time
  - N** • In the field...key numbers can be readily installed at installation time or easily changed later by your customer

**O Ease of Finishing:** Furniture may be finished without lock plug installed, eliminating the need for masking  
**P Simplified Inventory Management:** One stock of lock plugs fulfills all types of locking requirements

**R Lock Plug + Cylinder Body = Assembled Lock**



When assembled, most Timberline locks are designed for mounting in 3/4" panels, with or without a veneer or laminate face.

**3/4" Core**

**Veneer or Laminate**

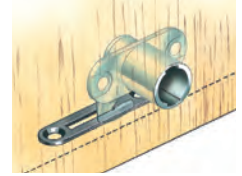
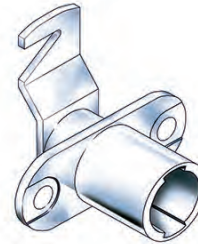
**All Timberline Locks Mount Easily With #6 Screws**

Most Timberline locks are used in a 16.5mm hole (drill bit TMBDB-165). Optional bezels are available that allow use of locks in holes from 3/4" to 7/8" in diameter.

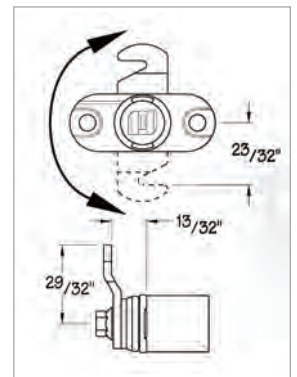
## CYLINDER BODIES

### Flipper/Tambour Door Cylinder Body, Horizontal Mount Mounts 3/4" Material

- Cam lock with hooked cam for horizontal flipper or tambour doors
- Lock must be mounted counter-clockwise to lock
- Cylinder length is 3/4"
- Requires 16.5mm diameter bore hole
- TMBS-181 Series Strike Plate sold separately (See page D-30)



Item #	Description	Cylinder Length	Setback	Cam Rotation	Cam Extension
TMBCB-181	Cylinder Body	3/4"	13/32"	180°	29/32"
TMBS-181	Strike Plate, Black	-	-	-	-
TMBS-181-BN	Strike Plate, Bright Nickel	-	-	-	-



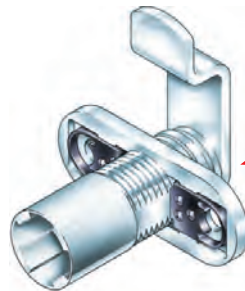
Order Lock Plug & Strike separately, see page D-30

Applications:



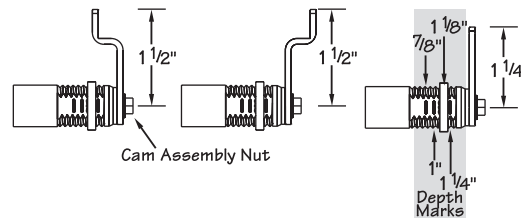
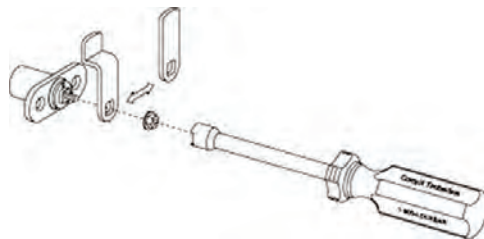
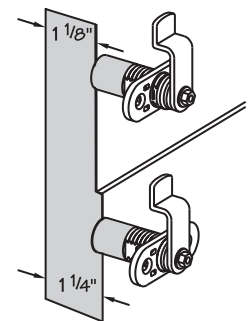
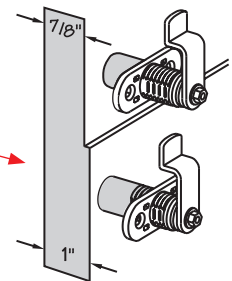
### Thick Panel Cylinder Bodies Vertical Material Thickness 7/8" - 1-1/4"

- Universal type lock for doors or drawers
- Lock comes packaged with a straight cam extending 1-1/4" and a bent arm cam extending 1-1/2"
- Cylinder length adjusts from 7/8" to 1-1/4" lengths by screwing the cylinder body in/out
- Requires 16.5mm diameter bore hole
- Counter-clockwise to lock at a 90° rotation (only)
- Supplied with nickel plated finish cup



Mounting flange adjusts to allow lock to be mounted in panels from 7/8" thick up to 1-3/8" thick

**CB-170**  
Type 170 Cylinder Body



The 'thick panel lock' comes packaged with 2 different cams which can be assembled to the lock in any of the 3 orientations illustrated above. This offers sufficient flexibility to adapt to most locking situations.

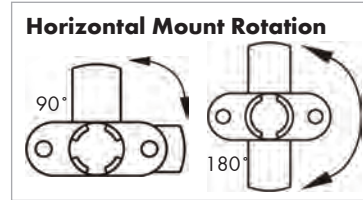
Item #	Cam Extension	Cam Rotation
TMBCB-170	Straight: 1-1/4", Bent Cam: 1-1/2"	90°

Order Lock Plug & Strike separately, see page D-30

**A CAM LOCK CYLINDER BODIES, HORIZONTAL MOUNT**

**B Cam Locks, Horizontal Mount**  
**C 90° or 180° Rotation**

- All locks require a 16.5 mm diameter bore hole
- Designed to mount in 3/4" thick material with 3/4" long cylinder
- Locks must be installed to lock in a counter clockwise position



	90° Rotation	180° Rotation		90° Rotation	180° Rotation
	<b>(A)</b> TMBCB-080	<b>(H)</b> TMBCB-180		<b>(D)</b> TMBCB-087	<b>(K)</b> TMBCB-187
	<b>(B)</b> TMBCB-083	<b>(I)</b> TMBCB-183		<b>(E)</b> TMBCB-085	<b>(L)</b> TMBCB-185
	<b>(C)</b> TMBCB-084	<b>(J)</b> TMBCB-184		<b>(F)</b> TMBCB-088	<b>(M)</b> TMBCB-188
 <b>Order Lock Plug &amp; Strike separately, See Page D-30</b>				<b>(G)</b> TMBCB-089	<b>(N)</b> TMBCB-189

90° Rotation				
Item #	Cylinder Length	Setback	Cam Extension	
A	TMBCB-080	3/4"	3/32"	13/16"
B	TMBCB-083	3/4"	3/32"	1-1/4"
C	TMBCB-084	3/4"	9/32"	1-1/4"
D	TMBCB-087	3/4"	9/32"	1-23/32"
E	TMBCB-085	3/4"	15/32"	13/16"
F	TMBCB-088	3/4"	15/32"	1-1/4"
G	TMBCB-089	3/4"	7/8"	1-1/4"

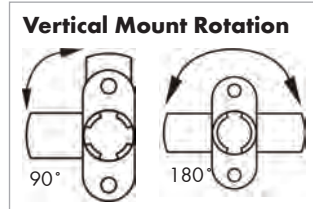
180° Rotation				
Item #	Cylinder Length	Setback	Cam Extension	
H	TMBCB-180	3/4"	3/32"	13/16"
I	TMBCB-183	3/4"	3/32"	1-1/4"
J	TMBCB-184	3/4"	9/32"	1-1/4"
K	TMBCB-187	3/4"	9/32"	1-23/32"
L	TMBCB-185	3/4"	15/32"	13/16"
M	TMBCB-188	3/4"	15/32"	1-1/4"
N	TMBCB-189	3/4"	7/8"	1-1/4"



## CAM LOCK CYLINDER BODIES, VERTICAL MOUNT

### Cam Locks, Vertical Mount 90° or 180° Rotation

- All locks require a 16.5 mm diameter bore hole
- Designed to mount in 3/4" thick material with 3/4" long cylinder
- Locks must be installed to lock in a counter clockwise position



	90° Rotation	180° Rotation		90° Rotation	180° Rotation
	<b>(A)</b> TMBCB-090 	<b>(H)</b> TMBCB-190 		<b>(D)</b> TMBCB-097 	
	<b>(B)</b> TMBCB-093 	<b>(I)</b> TMBCB-193 		<b>(E)</b> TMBCB-095 	<b>(K)</b> TMBCB-195 
	<b>(C)</b> TMBC-094 	<b>(J)</b> TMBCB-194 		<b>(F)</b> TMBCB-098 	<b>(L)</b> TMBCB-198 
	<b>Order Lock Plug &amp; Strike separately, See Page D-30</b>			<b>(G)</b> TMBC-099 	

90° Rotation				
Item #	Cylinder Length	Setback	Cam Extension	
A	TMBCB-090	3/4"	3/32"	13/16"
B	TMBCB-093	3/4"	3/32"	1-1/4"
C	TMBC-094	3/4"	9/32"	1-1/4"
D	TMBCB-097	3/4"	9/32"	1-23/32"
E	TMBCB-095	3/4"	15/32"	13/16"
F	TMBCB-098	3/4"	15/32"	1-1/4"
G	TMBC-099	3/4"	7/8"	1-1/4"

180° Rotation				
Item #	Cylinder Length	Setback	Cam Extension	
H	TMBCB-190	3/4"	3/32"	13/16"
I	TMBCB-193	3/4"	3/32"	1-1/4"
J	TMBCB-194	3/4"	9/32"	1-1/4"
K	TMBCB-195	3/4"	15/32"	13/16"
L	TMBCB-198	3/4"	15/32"	1-1/4"

A  
B  
C  
D  
E  
F  
G  
H  
I  
J  
K  
L  
M  
N  
O  
P  
Q  
R  
S  
T  
U  
V  
W  
X  
Y

**A DEADBOLT LOCK CYLINDER BODIES, HORIZONTAL MOUNT**



Round Cylinder



Rectangular Cylinder

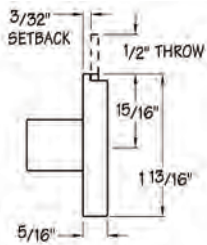
**Deadbolt Locks, Horizontal Mount  
Mounts in 3/4" Material**



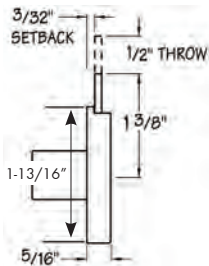
- Surface mounted lock for locking doors or drawers
- All locks cylinders are 3/4" L
- Requires 16.5mm diameter bore hole
- 180° key rotation
- Key removable in locked and unlocked positions
- Tough nylon housing

Order Lock Plug & Strike separately, see page D-30

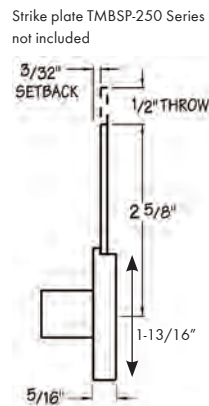
(A) TMBCB-230



(B) TMBCB-231

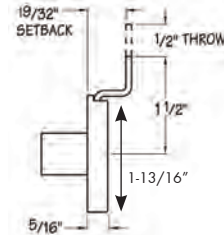


(C) TMBCB-232

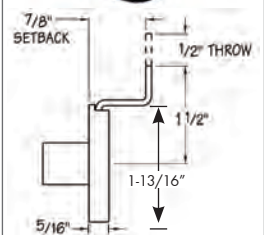
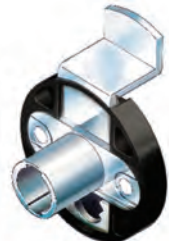


Strike plate TMBCSP-250 Series not included

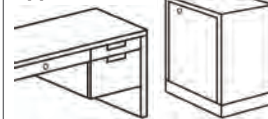
(D) TMBCB-234



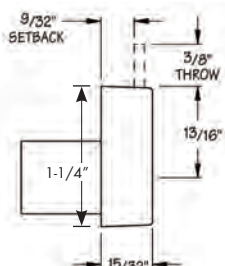
(E) TMBCB-235



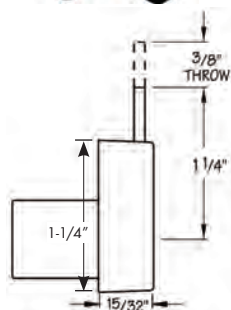
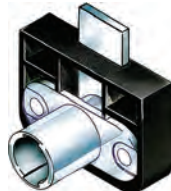
**Applications:**



(F) TMBCB-280



(G) TMBCB-281

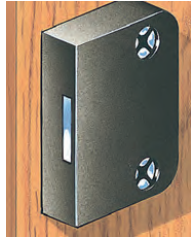


	Item #	Cam Setback	Cam Extension	Cam Throw
A	TMBCB-230	3/32"	15/16"	1/2"
B	TMBCB-231	3/32"	1-3/8"	1/2"
C	TMBCB-232	3/32"	2-5/8"	1/2"
D	TMBCB-234	19/32"	1-1/2"	1/2"
E	TMBCB-235	7/8"	1-1/2"	1/2"
F	TMBCB-280	9/32"	13/16"	3/8"
G	TMBCB-281	9/32"	1-1/4"	3/8"

**DEADBOLT LOCK CYLINDER BODIES, VERTICAL MOUNT**



Round Cylinder

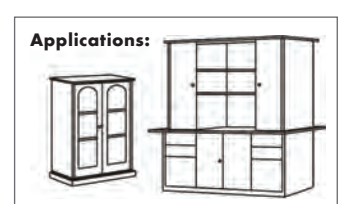
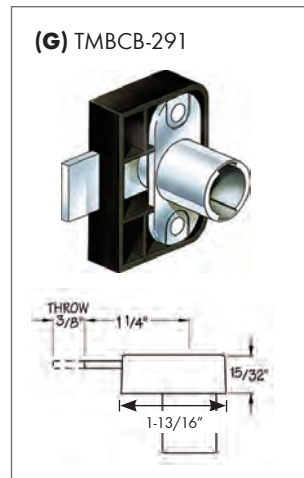
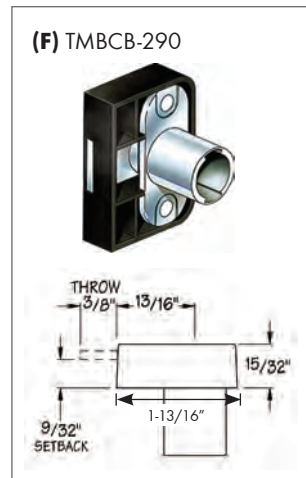
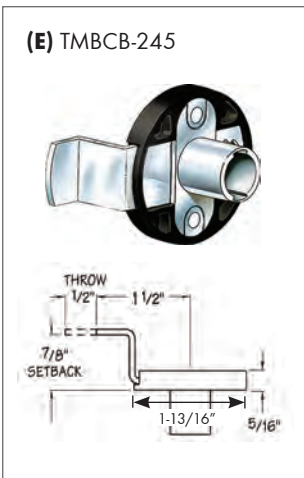
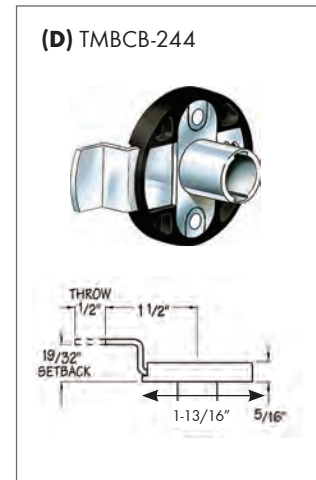
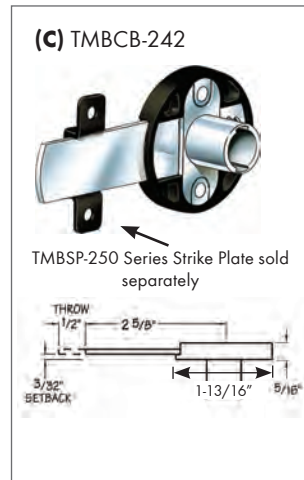
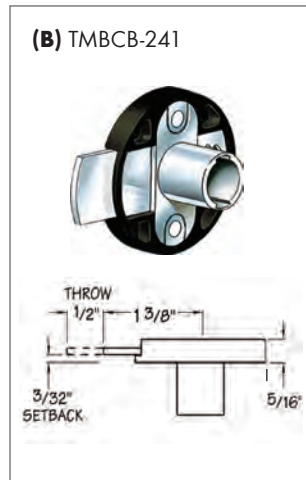
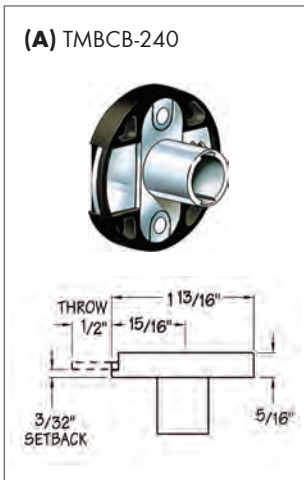


Rectangular Cylinder

**Deadbolt Locks, Vertical Mount  
Mounts in 3/4" Material**



- Surface mounted lock for locking doors
- All locks have 3/4" long cylinders
- Requires 16.5mm diameter bore hole
- 180° key rotation
- Key removable in both locked and unlocked positions
- Tough nylon housing



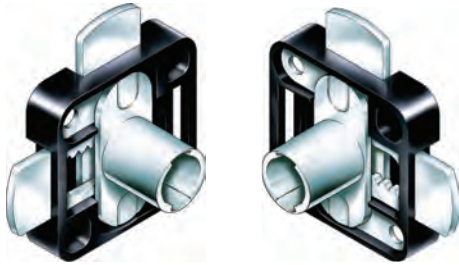
**Order Lock Plug & Strike separately, see page D-30**

	Item #	Cylinder Length	Cam Setback	Cam Extension	Cam Throw
A	TMBCB-240	3/4"	3/32"	15/16"	1/2"
B	TMBCB-241	3/4"	3/32"	1-3/8"	1/2"
C	TMBCB-242	3/4"	3/32"	2-5/8"	1/2"
D	TMBCB-244	3/4"	19/32"	1-1/2"	1/2"

	Item #	Cylinder Length	Cam Setback	Cam Extension	Cam Throw
E	TMBCB-245	3/4"	7/8"	1-1/2"	1/2"
F	TMBCB-290	3/4"	9/32"	13/16"	3/8"
G	TMBCB-291	3/4"	9/32"	1-1/4"	3/8"

A  
B  
C  
D  
E  
F  
G  
H  
I  
J  
K  
L  
M  
N  
O  
P  
Q  
R  
S  
T  
U  
V  
W  
X  
Y

**A DOUBLE DOOR LOCK CYLINDER BODIES**

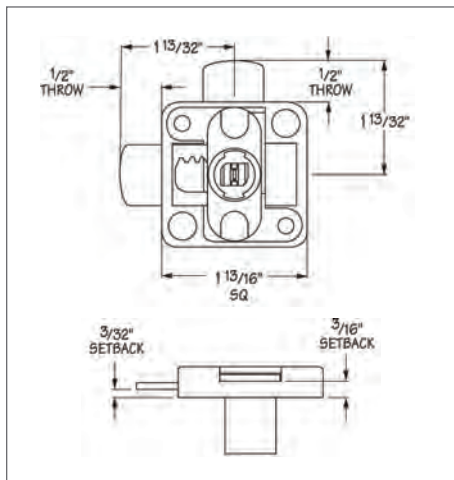
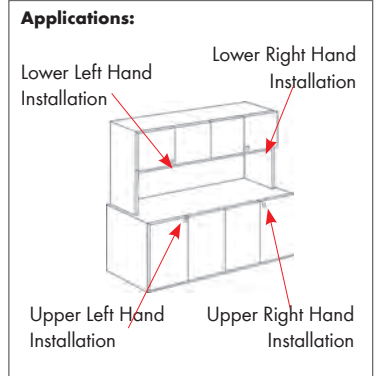


A. TMBCB-250

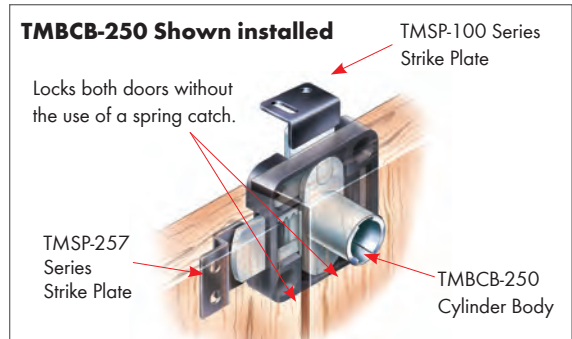
B. TMBCB-255

**Double Door Cylinder Body Mounts in 3/4" Material**

- Timberline Type 250 Double Door Lock
- Surface mounted lock for locking two adjacent doors
- Locks both doors without the use of a spring catch
- Works with either overlay or inset doors
- Requires 16.5mm diameter bore hole
- Turn key counter-clockwise to lock
- Key removable in both locked and unlocked positions
- TMSP-100 and TMSP-257 Series strike plates sold separately (1 each required per lock) See page D-30



**Order Lock Plug & Strike separately, see page D-30**



	Item #	Description	Application
A	TMBCB-250	Double Door Lock	Lower left hand or upper right hand installation
B	TMBCB-255	Opposite Mount Double Door Lock	Lower right hand or upper left hand installation



**Thumb Knob**

- For use with all CompX Timberline cylinder bodies
- Works as a general thumb latch when keyed lock plugs are not required
- Can use as a shipping plug, or an insert for testing locks during manufacturing



<b>Item #</b>
TMBLPTK03

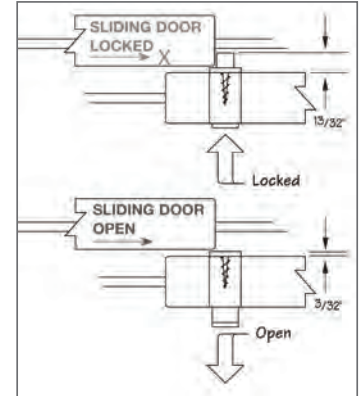
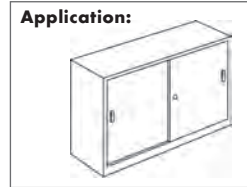
## SLIDING DOOR & GANG LOCK CYLINDER BODIES

### Sliding Door Push Lock Cylinder Body Mounts in 3/4" Material

- For locking sliding, bypass type doors
- Requires 3/4" diameter hole in front door for cylinder
- Pushing in cylinder locks doors, with or without key; 45° key rotation allows cylinder to pop back out to unlock doors
- Lock throw length is 5/16"
- Optional TMBBZ-110 finish cup for back door requires 1/2" hole

Item #	Description	Cylinder Length
TMBCB-175	Cylinder Body	3/4"
TMBBZ-110	Optional Finish Cup, Nickel Finish	-

Order Lock Plug & Strike separately, see page D-30

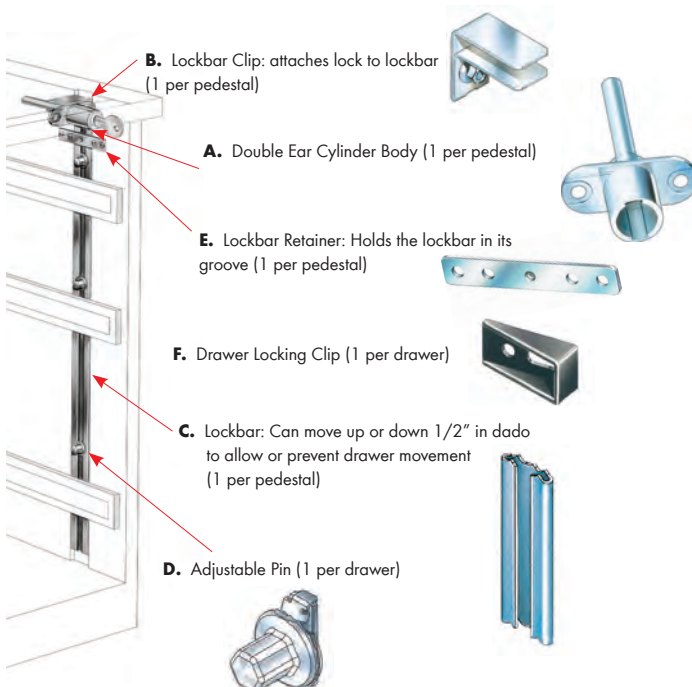


### Gang Lock Cylinder Bodies

- Designed to have lock cylinder mount into fixed cabinet top rail
- Mounts in 3/4" material
- Lockbar stocked in four standard lengths; can be cut to size by user



NOTE: Additional styles available. Contact your Würth Louis and Company Representative for more information.



Item #	Description
A	TMBCB-100 Cylinder Body, 3/4" L
B	TMBLC-100 Lockbar Clip
C	TMBLB-120 Lockbar, 18" (cut to size)
	TMBLB-240 Lockbar, 24" (cut to size)
	TMBLB-360 Lockbar, 36" (cut to size)
	TMBLB-480 Lockbar, 48" (cut to size)
D	TMBAP-037 Adjustable Pin, 3/8"
E	TMBLR-100 Lockbar Retainer
F	TMBDC-500 Drawer Locking Clip

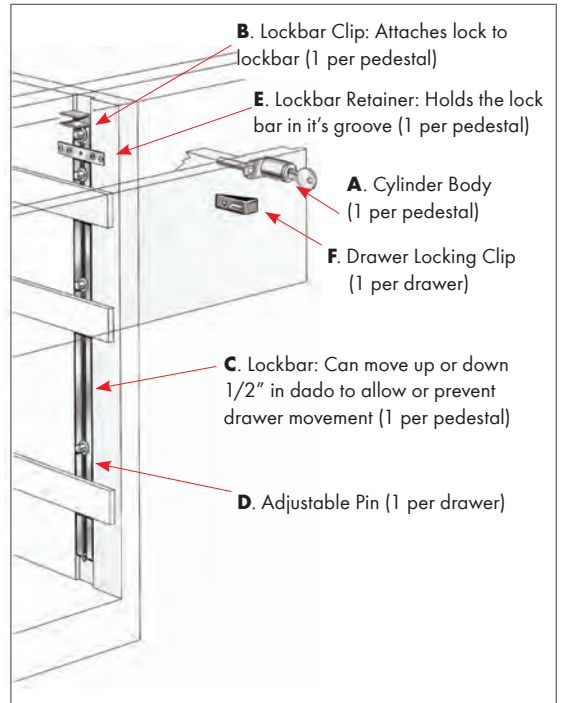
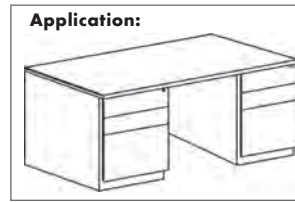
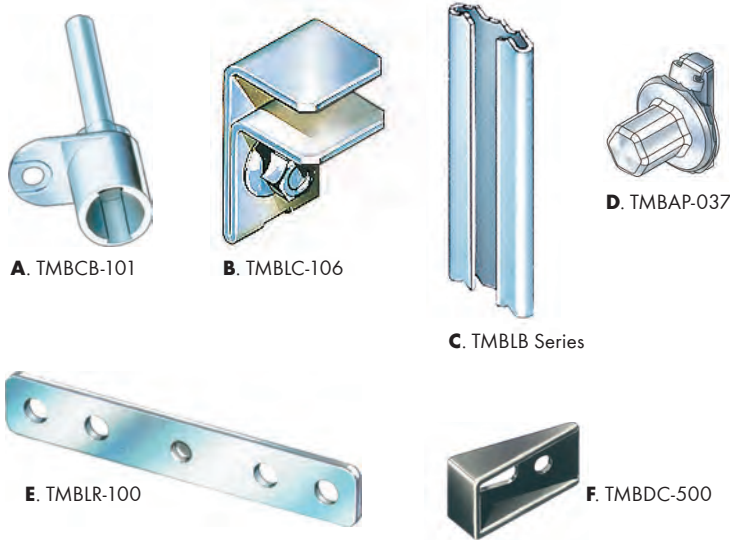
Order Lock Plug & Strike separately, see page D-30

A  
B  
C  
D  
E  
F  
G  
H  
I  
J  
K  
L  
M  
N  
O  
P  
Q  
R  
S  
T  
U  
V  
W  
X  
Y

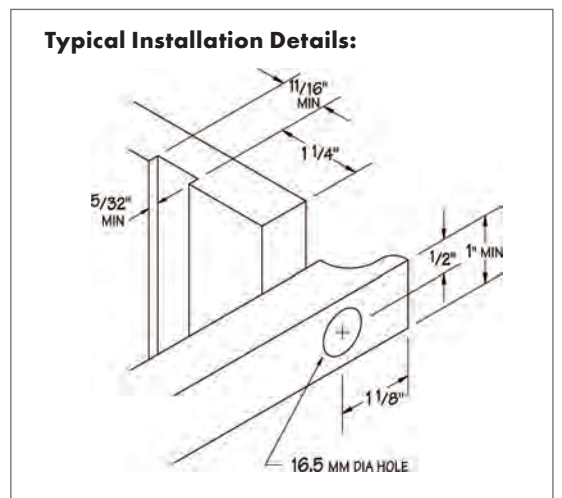
**A GANG LOCK CYLINDER BODIES**

**Multiple Drawer Gang Lock, Drawer Front Mount  
For use with Hanging Files, 3/4" Material**

- Timberline System 101 is designed to have lock cylinder mounted in drawer front
- Minimizes interference with hanging files
- Full 1/2" lockbar throw
- Fits within 1/2" drawer slide clearance
- Minimal machining required; drawer front hole for lock and cabinet groove for lockbar
- Lockbar stocked in four standard lengths as shown below; can be cut to size by user
- Lockbar must be restrained from dropping when in the locked position



Item #	Description
A	TMBCB-101 Cylinder Body, 3/4" Length
B	TMBLC-106 Lockbar Clip
C	TMBLB-120 Lockbar, 18"
	TMBLB-240 Lockbar, 24"
	TMBLB-360 Lockbar, 36"
	TMBLB-480 Lockbar, 48"
D	TMBAP-037 Adjustable Pin, 3/8"
E	TMBLR-100 Lockbar Retainer
F	TMBDC-500 Drawer Locking Clip



**Order Lock Plug & Strike separately,  
see page D-30**

## GANG LOCK CYLINDER BODIES

### Multiple Drawer Gang Lock, Side Mount For 3/4" Material

- Timberline System 150
- Full 1/2" lockbar throw
- Fits within 1/2" drawer slide clearance
- Lock cylinder length is 3/4" and mounted in side panel
- Minimal machining required; hole for lock and groove for lockbar
- Lockbar stocked in standard sizes as shown below; can be cut to size by user



A. TMBCB-150



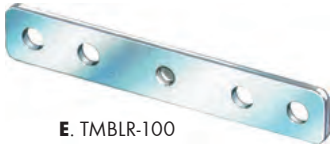
B. TMBLC-150



C. TMBLB Series



D. TMBAP-037



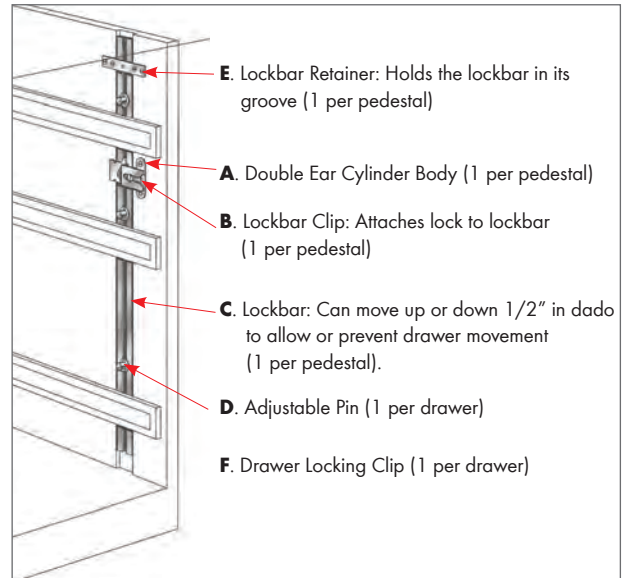
E. TMBLR-100



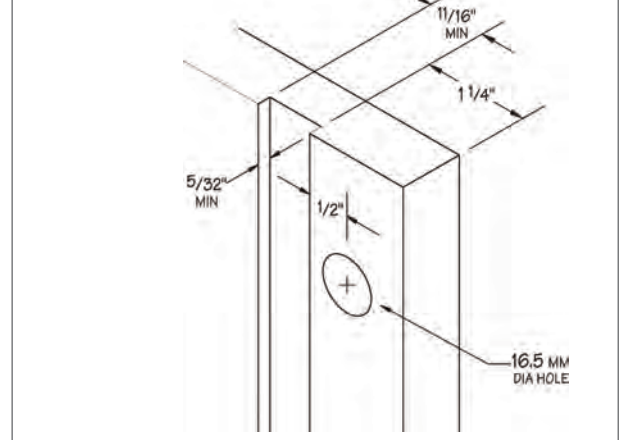
F. TMBDC-500

	Item #	Description
A	TMBCB-150	Cylinder Body, 3/4" Length
B	TMBLC-150	Lockbar Clip
C	TMBLB-120	Lockbar, 18"
	TMBLB-240	Lockbar, 24"
	TMBLB-360	Lockbar, 36"
	TMBLB-480	Lockbar, 48"
D	TMBAP-037	Adjustable Pin, 3/8"
E	TMBLR-100	Lockbar Retainer
F	TMBDC-500	Drawer Locking Clip

Application:



Typical Installation Details:



Order Lock Plug & Strike separately,  
see page D-30

A  
B  
C  
D  
E  
F  
G  
H  
I  
J  
K  
L  
M  
N  
O  
P  
Q  
R  
S  
T  
U  
V  
W  
X  
Y

## WARDROBE LOCK CYLINDER BODIES/STRIKE PLATES



### Wardrobe Lock Cylinder Body



- For use on vertical wardrobe doors, 3/4" material
- Full 1/2" wardrobe bar throw
- Center line of lock must be minimum of 1" from edge of door
- 16.5mm lock hole only machining required
- Wardrobe bar supports used every 18". All locks require a 16.5 mm diameter bore hole.

Item #	Description
TMBCB-260	Wardrobe Lock Cylinder Body
TMBWB-480	50" Wardrobe Bar (cut to size)
TMBSP-260	Wardrobe Bar Support (every 18")
TMBSP-101	Strike Plate, Black
TMBSP101-SN	Strike Plate, Bright Nickel

Order Lock Plug separately, see page D-30.  
Order Strike Plate separately, see below.

### Strike Plates

- Strike plates are sold without screws
- TMBSP-181 and TMBSP-185 use #6 x 1/2" Flathead screws
- TMBSP-500 uses #8 x 1/2" Flathead screws
- All others use #6 x 1/2" Panhead screws



	Black Item #	Bright Nickel Item #
A	TMBSP-100	TMBSP100-SN
B	TMBSP-101	TMBSP101-SN
C	TMBSP-181	TMBSP-181-BN
D	TMBSP-185	TMBSP-185SN
E	TMBSP-250	TMBSP-250SN
F	TMBSP-251	TMBSP-251-BN
G	TMBSP-255	TMBSP-255SN
H	TMBSP-256	TMBSP-256-BN
I	TMBSP-257	-
J	TMBSP-258	TMBSP-258-BN
K	-	TMBSP-500

**A**

Use with: Cam, deadbolt or wardrobe locks

**B**

Use with: Cam, deadbolt or wardrobe locks

**C**

Use with: Horizontal flipper/tambour door locks

**D**

Use with: Cam, deadbolt or glass door locks

**E**

Use with: Deadbolt locks

**F**

Use with: Deadbolt locks

**G**

Use with: Cam or deadbolt locks

**H**

Use with: Cam or deadbolt locks

**I**

Use with: Double door locks

**J**

Use with: Double door locks

**K**

Screws to case side. Use when no stringer is available.




## ANTI-TIP INTERLOCK SYSTEM

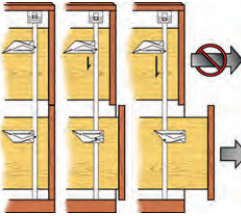
### For 2 or 3-4 Drawer Lateral File



- Prevents more than one drawer from being opened at a time
- Used on file cabinets where no lock is present
- Meets BIFMA standards for strength and durability
- All components are surface mounted
- 1/2" drawer slide clearance required
- Lockbar can be cut to size by user

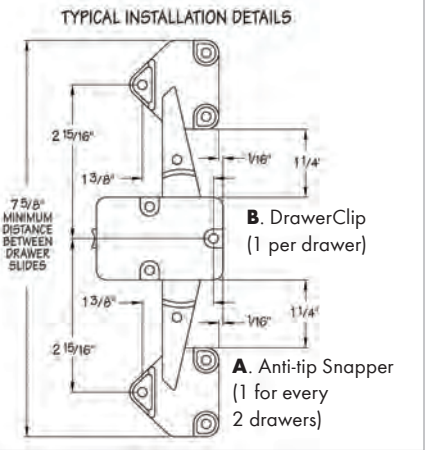


**2-Drawer lateral (no lock)**



When either drawer is pulled open, the drawer clip on that drawer moves the snapper into a locked position. Thereby preventing any further drawers from being opened.

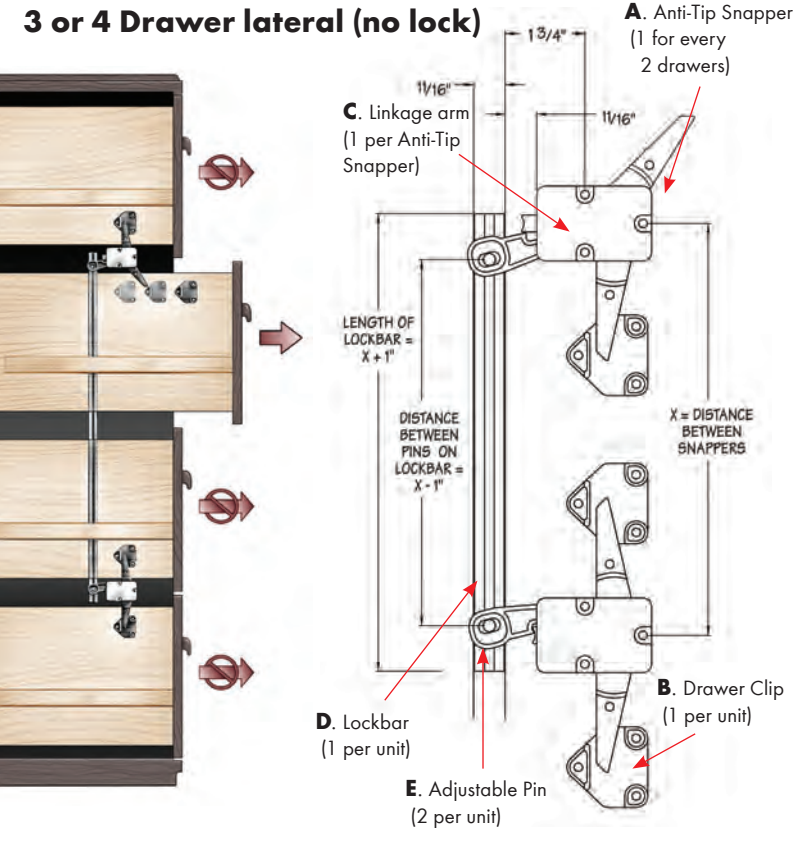
**TYPICAL INSTALLATION DETAILS**



**B. DrawerClip** (1 per drawer)

**A. Anti-tip Snapper** (1 for every 2 drawers)

**3 or 4 Drawer lateral (no lock)**



**A. Anti-Tip Snapper** (1 for every 2 drawers)

**C. Linkage arm** (1 per Anti-Tip Snapper)

**D. Lockbar** (1 per unit)

**E. Adjustable Pin** (2 per unit)

**B. Drawer Clip** (1 per unit)

13/4" (height of snapper)

1/16" (height of linkage arm)

1/16" (height of linkage arm)

LENGTH OF LOCKBAR =  $X + 1"$

DISTANCE BETWEEN PINS ON LOCKBAR =  $X - 1"$

X = DISTANCE BETWEEN SNAPPERS

Item #	Description	2 Drawer Files	3-4 Drawer Files
A	TMBSN-400 Anti-Tip Snapper	1	2
B	TMBDC-400 Drawer Clip	1 per drawer	1 per drawer
C	TMBSN-410 Linkage Arm	0	1 per Anti-Tip Snapper
D	TMBLB-240 Lockbar, 24"	0	1 per unit
	TMBLB-360 Lockbar, 36"	0	1 per unit
E	TMBAP-037 Adjustable Pin, 3/8"	0	2 per unit

**Order Lock Plug & Strike separately, see page D-30**

A  
B  
C  
D  
E  
F  
G  
H  
I  
J  
K  
L  
M  
N  
O  
P  
Q  
R  
S  
T  
U  
V  
W  
X  
Y

**A GLASS DOOR LOCKS**

**B Bore Hole, No Bore Hole & Double Door**

**C**

**D**

**E**

**F**

**G**

**H**

**I**

**J**

**K**

**L**

**M**

**N**

**O**

**P**

**Q**

**R**

**S**

**T**

**U**

**V**

**W**

**X**

**Y**

**Bore Hole Style Vertical Mount**

**CAM MUST ROTATE COUNTERCLOCKWISE TO LOCK.**

FINISH CAP IS ATTACHED TO GIVE FINISHED APPEARANCE

NUT WASHER IS HAND TIGHTENED TO FASTEN CYLINDER BODY TO GLASS

7/8" DIAMETER HOLE BORED IN GLASS CENTERED 7/8" FROM EDGE

**Application:**

**Details on next page** →

**K**

**L**

**M**

**N**

**O**

**P**

**Q**

**R**

**S**

**T**

**U**

**V**

**W**

**X**

**Y**

**No Bore Hole Style Vertical Mount**

Set screw tightens lock to glass using a flat-blade screwdriver

**Application:**

LOCK SLIPS ONTO EDGE OF GLASS DOOR AT ANY LOCATION

NO BORING REQUIRED

**No Bore Hole Style Horizontal Mount**

**Details on next page** →

**T**

**U**

**V**

**W**

**X**

**Y**

**Double Glass Door Lock Style**

SET SCREW TIGHTENS LOCK TO GLASS DOOR

**Details on next page** →

## GLASS DOOR LOCKS

### Bore Style, Glass Door Lock For Glass Doors Up To 3/8" Thick



- Designed for swing style doors
- Fully cushioned lock clamping to avoid glass damage
- Horizontal and vertical mount lock to side or bottom of cabinet
- 2 piece lock design for quick mounting - no cam assembly needed
- Requires 7/8" dia. hole bored in glass centered 7/8" from edge
- Cam must rotate counterclockwise to lock with an extension of 7/8" and a setback of 15/16"
- Finish cap is attached to give finished appearance

Order Lock Plug & Strike separately, see page D-30

Item #	Description	Finish
<b>Vertical Mount</b>		
TMBCB-311	Lock Body	Bright Nickel
TMBCB-315	Lock Body	Brass
TMBCB-317	Lock Body	Satin Nickel
<b>Horizontal Mount</b>		
TMBCB-301	Lock Body	Bright Nickel
TMBCB-307	Lock Body	Satin Nickel
<b>Strike Plates</b>		
TMBSP-185	Strike Plate	Black
TMBSP-185SN	Strike Plate	Bright Nickel

### No Bore Style, Glass Door Lock For 1/4" - 5/16" Thick Glass Doors



- Designed for swing style doors
- Non-bore glass door locks - lock slips onto edge of glass door
- Lock is fully cushioned to avoid glass damage
- Horizontal and vertical mount lock to side or bottom of cabinet
- Lock throw is 1/2"
- Vertical or horizontal mounts on glass from 1/4" - 5/16" thick

Order Lock Plug & Strike separately, see page D-30

Item #	Description	Finish
<b>Vertical Mount</b>		
TMBCB-361	Lock Body	Bright Nickel
TMBCB-367	Lock Body	Satin Nickel
<b>Horizontal Mount</b>		
TMBCB-351	Lock Body	Bright Nickel
<b>Strike Plates</b>		
TMBSP-185	Strike Plate	Black
TMBSP-185SN	Strike Plate	Bright Nickel

### Double Glass Door Lock For 1/4" - 5/16" Thick Glass Doors - Vertical Mount



- Designed for swing style doors when left and right doors locking simultaneously is desired
- Non-bore glass door locks - lock slips onto edge of glass
- Fully cushioned lock to avoid glass damage
- Two lock throws extend 1/2" from bottom and left (as you face the lock) side of lock housing

Order Lock Plug & Strike separately, see page D-30

Item #	Description	Finish
TMBCB-371	Lock Body	Bright Nickel
TMBCB-377	Lock Body	Satin Nickel
<b>Strike Plates</b>		
TMBSP-185	Strike Plate	Black
TMBSP-185SN	Strike Plate	Bright Nickel

**A TIMBERLINE LOCK ACCESSORIES**



**Master Keyed Lock Plugs**

- All lock plugs shown will work with all Timberline cylinder bodies
- Choose lock plug based on finish and key numbers your job requires
- Key number coded on face and keys (two keys included with each lockplug)
- All lock plugs are masterkeyed

Additional key numbers available.

NOTE: Contact your Würth Louis and Company Representative for more information.



Key #	Bright Nickel Item #	Antique English Item #	Black Item #	Statuary Bronze Item #	Bright Brass Item #	Satin Nickel Item #
Keyed Different	TMBLP100-KD	-	TMBLP300-KD	-	-	TMBLP700-KD
100TA	TMBLP-100-100TA	TMBLP-200-100TA	TMBLP-300-100TA	TMBLP-400-100TA	TMBLP-500-100TA	TMBLP-700-100TA
101TA	TMBLP-100-101TA	TMBLP-200-101TA	TMBLP-300-101TA	TMBLP-400-101TA	TMBLP-500-101TA	TMBLP-700-101TA
102TA	TMBLP-100-102TA	TMBLP-200-102TA	TMBLP-300-102TA	TMBLP-400-102TA	TMBLP-500-102TA	TMBLP-700-102TA
103TA	TMBLP-100-103TA	TMBLP-200-103TA	TMBLP-300-103TA	TMBLP-400-103TA	TMBLP-500-103TA	TMBLP-700-103TA
104TA	TMBLP-100-104TA	-	TMBLP-300-104TA	TMBLP-400-104TA	TMBLP-500-104TA	TMBLP-700-104TA
105TA	TMBLP-100-105TA	-	TMBLP-300-105TA	TMBLP-400-105TA	TMBLP-500-105TA	TMBLP-700-105TA
106TA	TMBLP-100-106TA	-	TMBLP-300-106TA	TMBLP-400-106TA	TMBLP-500-106TA	TMBLP-700-106TA
107TA	TMBLP-100-107TA	-	TMBLP-300-107TA	TMBLP-400-107TA	TMBLP-500-107TA	TMBLP-700-107TA
108TA	TMBLP-100-108TA	-	TMBLP-300-108TA	TMBLP-400-108TA	TMBLP-500-108TA	TMBLP-700-108TA
109TA	TMBLP-100-109TA	-	TMBLP-300-109TA	TMBLP-400-109TA	TMBLP-500-109TA	TMBLP-700-109TA

**A**

Use with: Cam, deadbolt or wardrobe locks

**B**

Use with: Cam, deadbolt or wardrobe locks

**C**

Use with: Horizontal flipper/tambour door locks

**Strike Plates**

- Strike plates are sold without screws
- TMBSP-181 and TMBSP-185 use #6 x 1/2" Flathead screws
- TMBSP-500 uses #8 x 1/2" Flathead screws
- All others use #6 x 1/2" Panhead screws

**D**

Use with: Cam, deadbolt or glass door locks

**E**

Use with: Deadbolt locks

**F**

Use with: Deadbolt locks

**G**

Use with: Cam or deadbolt locks

**H**

Use with: Cam or deadbolt locks

**I**

Use with: Double door locks

**J**

Use with: Double door locks

**K**

Screws to case side. Use when no stringer is available.

	Black Item #	Bright Nickel Item #
A	TMBSP-100	TMBSP100-SN
B	TMBSP-101	TMBSP101-SN
C	TMBSP-181	TMBSP-181-BN
D	TMBSP-185	TMBSP-185SN
E	TMBSP-250	TMBSP-250SN
F	TMBSP-251	TMBSP-251-BN
G	TMBSP-255	TMBSP-255SN
H	TMBSP-256	TMBSP-256-BN
I	TMBSP-257	-
J	TMBSP-258	TMBSP-258-BN
K	-	TMBSP-500

**TIMBERLINE LOCK ACCESSORIES**



**Timberline Keys**



Item #	Description
TMBKY-500-TA	Lock plug change key required to remove lock plugs from cylinder body
TMBKY-101	Masterkey for use with Timberline locks



**Bezels**

- Allows cylinder bodies to be used with 3/4" - 7/8" diameter holes
- Permits use of locks in 7/8" thick panels



Item #	Finish
TMBBZ-100	Nickel
TMBBZ-200	Old English
TMBBZ-300	Black
TMBBZ-400	Statuary Bronze
TMBBZ-500	Polished Brass
TMBBZ-700	Satin Nickel

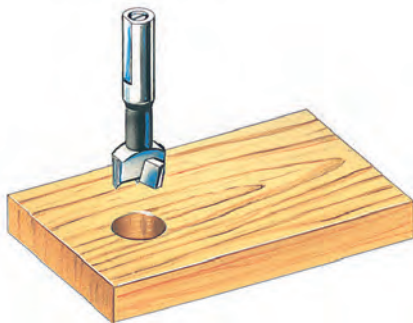


**Spacer**

- Allows cam lock cylinder bodies to be used in 5/8" thick panels



Item #
TMBSP-300



**Drill Bit**

- 16.5mm drill bit
- 10mm shank diameter
- Drills the proper diameter hole for most Timberline cylinder bodies



Item #
TMBDB-165

**A OLYMPUS LOCK OVERVIEW**

**B Olympus Lock**

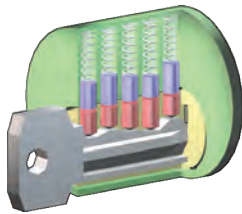


Olympus Lock manufactures institutional grade cabinet locks that reflect the company’s culture of design and ingenuity. The company pioneered rekeyable cabinet locks and holds numerous North American patents speaking to those inventions. By incorporating feedback from locksmiths at airports, casinos, schools, and hospitals, Olympus engineered its products to be both durable and easy to work with, making it the preferred choice of institutional locksmiths.

The Company has been around for over three decades, is still family owned and operated, and boasts industry leading ship times.

**Institutional Grade Cabinet Locks - Heavy duty locks for high use applications**

What are the benefits of a pin tumbler versus a disc tumbler? Pin tumbler key systems provide significantly more key changes than disc tumbler systems. See the chart below for the typical number of allowable key changes under a single master key:



**Additional Pin tumbler Features:**

- 5 or 6 chambers, pin #s 0-9 (10 total steps per chamber)
- 2000+ keyed different and master keyed total key changes
- Can be grand master keyed
- More secure keyway
- For high-use commercial applications



<b>US26D / 626</b> Satin Chrome Plated	<b>US3 / 605</b> Polished Brass	<b>US10B / 613</b> Oil Rubbed Bronze	<b>US4 / 606</b> Satin Brass	<b>US26 / 625</b> Polished Chrome
---	------------------------------------	---	---------------------------------	--------------------------------------

**Why Olympus Lock?**

- **Speed** is **KEY** - 98% of orders ship within 24-48 hours, over 350,000 locks on the floor!
- **Versatility** is **KEY** - all locks are rekeyable in 4 minutes or less!
- **Quality** is **KEY** - tested to ANSI/BHMA standards where applicable!
- **Innovation** is **KEY** - over 22 North American patents, always improving or adding features, no “me-too’s”!
- **Security** is **KEY** - all pin tumbler locks, complex masterkeying beyond grandmaster is available!
- **Support** is **KEY** - factory direct assistance and submittal samples always available!
- **Order History** is **KEY** - need to add on to a job? Electronic key records are kept for all specialty orders!

# PADLOCKABLE CAM LOCK

## DCP Series Padlockable Cam Lock



**Specifications**

**Function:** Cam lock for use with padlock as locking device.

Functions on doors or drawers. Ideal for locker applications.

**Through-hole:** 0.4"

**Padlocks:** Not included; accepts most standard padlocks with a shackle diameter 3/8" or less

**Max. Material Thickness:** 1-1/8"

**Barrel Diameter:** 3/4"

**Finishes:** 26D, 26 (3, 19 available via direct ship)

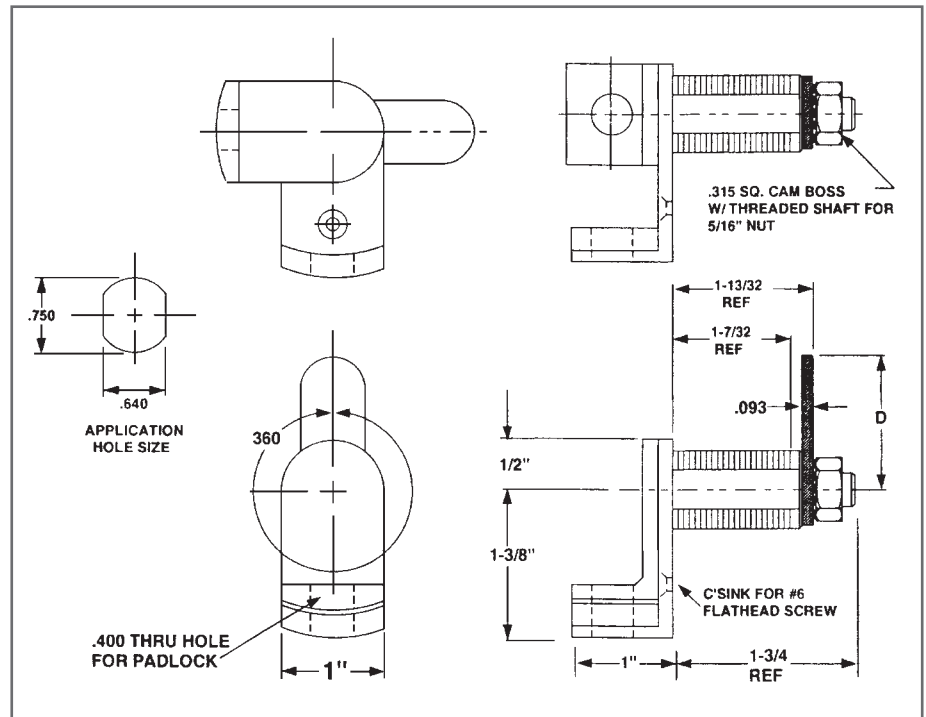
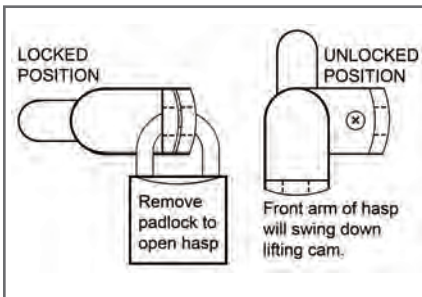
**Included Accessories:**

DCP-LC straight 1-1/4" cam;

DCNP-SPW pronged wood washer

Available with thumb pull via direct ship.

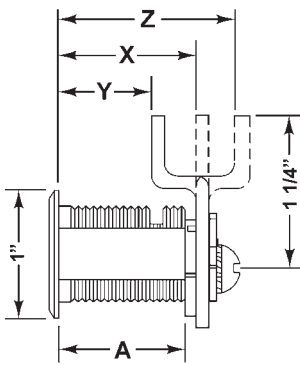
Item #	Finish	Cyl Length	Description
OLDCP-26D	Satin Chrome	1-7/32"	Padlock not included
OLDCP-US26	Polished Chrome	1-7/32"	Padlock not included



A  
B  
C  
D  
E  
F  
G  
H  
I  
J  
K  
L  
M  
N  
O  
P  
Q  
R  
S  
T  
U  
V  
W  
X  
Y

**A PIN TUMBLER CAM LOCKS**

**B DCN Series Pin Tumbler Cam Locks**



**DIMENSIONS**

	For Mat. Thickness	Straight Cam (X)	Inbent Cam (Y)	Outbent Cam (Z)	Cylinder Length (A)
DCN1	3/4"	1-1/16"	3/4"	1-3/8"	1"
DCN2	7/8"	1-3/16"	7/8"	1-1/2"	1-1/8"
DCN3	1-1/8"	1-7/16"	1-1/8"	1-3/4"	1-3/8"
DCN4	1-1/2"	1-13/16"	1-1/2"	2-1/8"	1-3/4"

**Specifications**

**Keying:** Can be keyed together with other N Series locks

**Rekeyable:** Easily rekeyable via cylinder retainer clip

**ANSI/BHMA:** Passed ANSI/BHMA A156.11 Grade 1 performance requirements.

Equivalent to E07261 / E07271.

**Woodwork Institute:** (WI) acknowledged product

**Body:** Zinc die cast; **Cylinder:** Zinc die cast, pin tumbler

**Standard function:** Key removable in locked or unlocked position.

**Cams:** 2 reversible cams work in all positions

**Face:** 1" face covers splintering, no additional trim ring required

**Finishes:** 26D, 3, 10B

**Keying Information**

**Keyway:** N Series (equivalent to National D4291 4-pin or D4292 5-pin system)

**Keys:** Includes 2 keys per lock

**Stock keying:** KD/KA - 4 pin standard

**Stock KA#:** 101, 103, 107, 915

**Masterkeyed:** 5 pin standard; **Grand masterkeyed:** Available

**Included Accessories**

DCNP-100-SC straight cam, DCNP-100-BC offset reversible cam, DCNP-500-ARP anti-rotation plate, DCNP-200-OCD lost-motion cam shifter

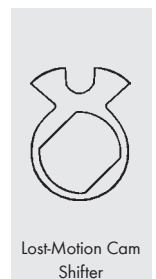
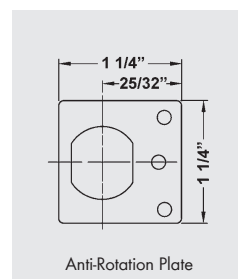
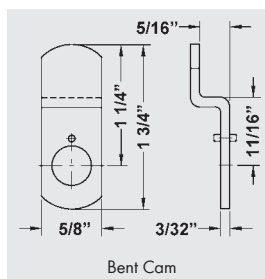
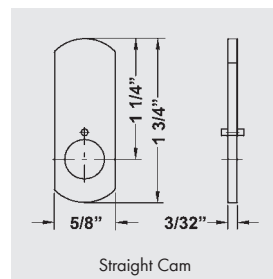
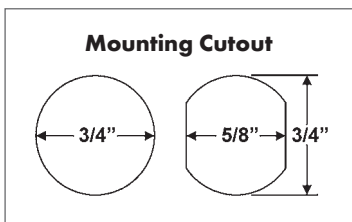
**Custom Keying Available**

Finish	Item #	Cyl Length (as measured with straight cam)
Satin Chrome	OLDCN1-26D.**	1-1/16"
Oil Rubbed Bronze	OLDCN1-10B.**	1-1/16"
Bright Brass	OLDCN1-US3.**	1-1/16"
Satin Chrome	OLDCN2-26D.**	1-3/16"
Oil Rubbed Bronze	OLDCN2-10B.**	1-3/16"
Bright Brass	OLDCN2-US3.**	1-3/16"
Satin Chrome	OLDCN3-26D.**	1-7/16"
Oil Rubbed Bronze	OLDCN3-10B.**	1-7/16"
Bright Brass	OLDCN3-US3.**	1-7/16"
Satin Chrome	OLDCN4-26D.**	1-3/4"
Oil Rubbed Bronze	OLDCN4-10B.**	1-3/4"
Bright Brass	OLDCN4-US3.**	1-3/4"

**Locks in all eight positions with 2 reversible cams**

\*\* Insert KD for Keyed Differently or Key Number for Keyed Alike (101, 103, 107, 915) or KDMK for Keyed Different, Master Keyed.

**Included Accessories**





## DEADBOLT DOOR AND DRAWER LOCKS

### 100DR and 200DW Series Deadbolt Door and Drawer Locks



**OL100DR Series**



**Specifications**

- Keying:** Can be keyed together with other N Series locks
- Rekeyable:** Easily rekeyable via set screw cylinder release mechanism
- ANSI/BHMA:** Passed ANSI/BHMA A156.11 Grade 1 performance requirements. Equivalent to E07121(100DR) / E07041(200DW)
- Standard function:** Key removable in locked or unlocked position (removable in locked position only, available via direct ship). Standard function locks are non-handed.
- Body:** Zinc die cast; **Cylinder:** Solid brass, pin tumbler
- Cylinder length:** 15/16", 1-3/8" or 1-5/8"; Barrel diameter: 7/8"

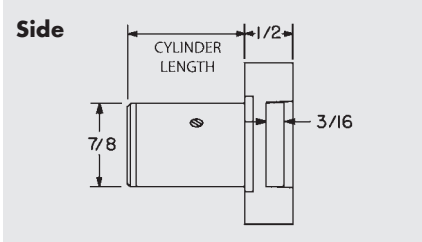
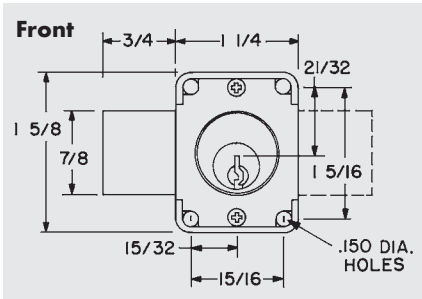
**Keying Information**

- Keyway:** N Series (equivalent to National D4291 4-pin or D4292 5-pin system)
- Keys:** Includes 2 keys per lock
- Stock keying:** KD/KA - 4 pin standard
- Stock KA#:** 101, 103, 107, 915
- Masterkeyed:** 5 pin standard; **Grand masterkeyed:** Available

**Included Accessories**

- 100DR:** 2 keys, 56-1 bar strike, and lock mounting screws
- 200DW:** 2 keys, 12-3 angle strike, and lock mounting screws

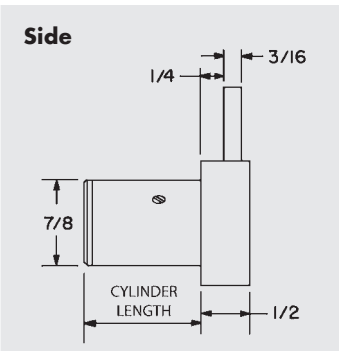
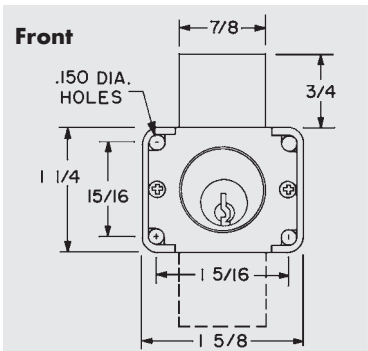
**Custom Keying Available**



**OL200DW Series**



Finish	Item #	Function	Cyl Length	Mtrl Thickness
Satin Chrome	OL100DR-26D78-**	Door	15/16"	7/8"
Satin Brass	OL100DR-US478-**	Door	15/16"	7/8"
Oil Rubbed Bronze	OL100DR-10B78-**	Door	15/16"	7/8"
Satin Chrome	OL100DR-26D138-**	Door	1-7/16"	1-3/8"
Satin Brass	OL100DR-US4138-**	Door	1-7/16"	1-3/8"
Oil Rubbed Bronze	OL100DR-10B138-**	Door	1-7/16"	1-3/8"
Satin Chrome	OL200DW-26D78-**	Drawer	15/16"	7/8"
Satin Brass	OL200DW-US478-**	Drawer	15/16"	7/8"
Oil Rubbed Bronze	OL200DW-10B78-**	Drawer	15/16"	7/8"
Satin Chrome	OL200DW-26D138-**	Drawer	1-7/16"	1-3/8"
Satin Brass	OL200DW-US4138-**	Drawer	1-7/16"	1-3/8"
Oil Rubbed Bronze	OL200DW-10B138-**	Drawer	1-7/16"	1-3/8"
Satin Chrome	OL200DW-26D158-**	Drawer	1-11/16"	1-5/8"
Oil Rubbed Bronze	OL200DW-10B158-**	Drawer	1-11/16"	1-5/8"



\*\* Insert KD for Keyed Differently or Key Number for Keyed Alike (101, 103, 107, 915) or KDMK for Keyed Different, Master Keyed.

**"M" series MRI locks available via direct ship.**

A  
B  
C  
D  
E  
F  
G  
H  
I  
J  
K  
L  
M  
N  
O  
P  
Q  
R  
S  
T  
U  
V  
W  
X  
Y

**A CAM LOCK BODIES**

**B 720 Series Cam Lock (core not included)**



For BEST style interchangeable core cylinders



**Specifications**

**Retrofits:** Best 1E7E4

**ANSI/BHMA:** Passed ANSI/BHMA A156.11 Grade 1 performance requirements. Equivalent to E07261/E07271.

**Cylinder diameter:** 1-1/8"

**Across flats:** 7/8"

**Max. material thickness:** 1-1/8"

**Min. material thickness:** 0.08"

**Functions:** Includes parts for key-retaining or non-key-retaining function

**Body:** Zinc die cast

**Finish:** 26D, 26 or 3 (via direct ship)

**Keying Information**

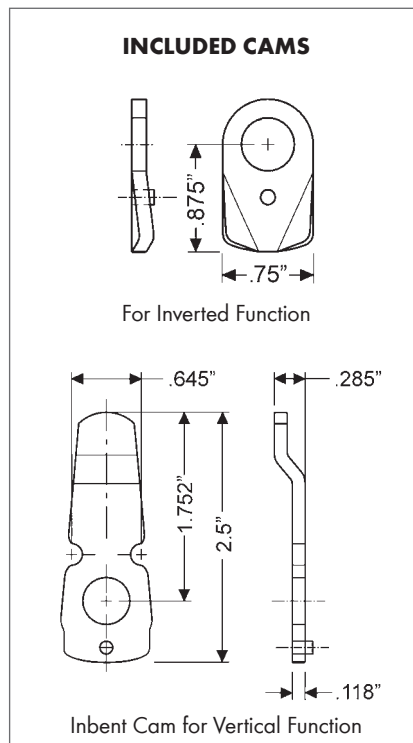
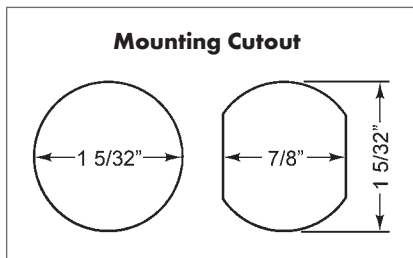
**Cores:** Not included.

**Accepts:** Best, Arrow, Falcon, KSP, Schlage SFIC or equivalent small format interchangeable cores

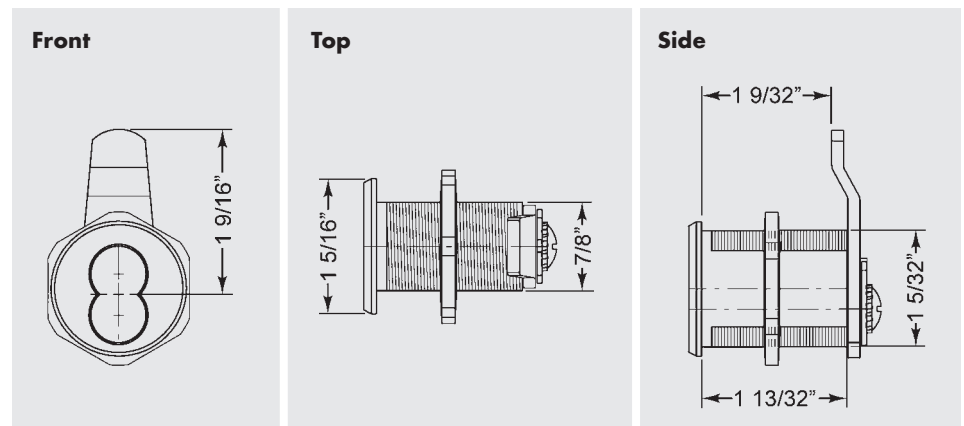
**Compatible electronic cylinders:** Medeco Nexgen XT or VIDEX CyberLock SFIC cylinders

**Includes**

725-PA plastic thumbturn, 720-PL3 stabilizer plate, 725-1 spacer to fit 6 or 7 pin cores, 720-3-1 short inverted cam, 720-3-2 long vertical cam, 720-CDLM lost motion cam shifter, 720-CDDM key retaining door cam shifter, 720-KR key retaining drawer cam shifter.



Finish	Item #	Cyl Dia.	Max Thickness
Satin Chrome	OL720LM/DM-US26	1-1/8"	Up to 1-1/8"
Satin Chrome	OL720LM/DM-26D	1-1/8"	Up to 1-1/8"



## DEADBOLT DOOR AND DRAWER LOCK BODIES

### 721 Series Deadbolt Door and Drawer Locks (core not included)



**OL721DR Series**



**Specifications**

**Retrofits:** Best 3L

**Reversible:** Field reversible between door and drawer functions

**ANSI/BHMA:** Passed ANSI/BHMA A156.11 Grade 1 performance requirements. Equivalent to E07121 (721DR) / E07041 (721DW)

**Woodwork Institute:** (WI) acknowledged product

**Standard function:** Key removable in locked and unlocked position (removable in locked position only, available via direct ship)

**Barrel diameter:** 1-1/8"; Cylinder length: 1-1/4" or 1-3/8"

**Body:** Zinc die cast

**Finishes:** 26D, 10B (3 and US26 available via direct ship)

**Keying Information**

**Cores:** Not included

**Accepts:** Best, Arrow, Falcon, KSP, Schlage SFIC or equivalent small format interchangeable cores

**Compatible electronic cylinders:** Medeco Nexgen XT or VIDEX CyberLock SFIC cylinders

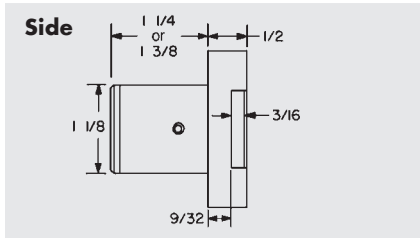
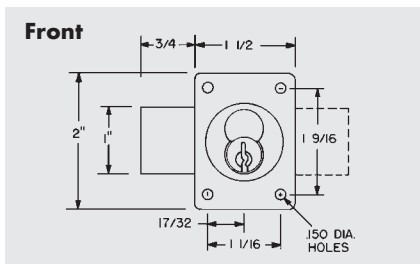
**Included Accessories**

**For 1-1/4" barrel length locks:**

725-1 spacer to fit 6 or 7 pin cores; 725-PA plastic thumbturn; 10-350 (qty 3) plastic spacers; 10-054 1/4" plastic bar strike; 10-057 .65" plastic bar strike

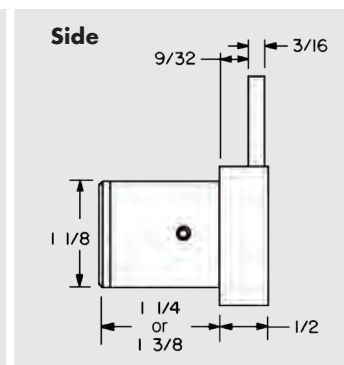
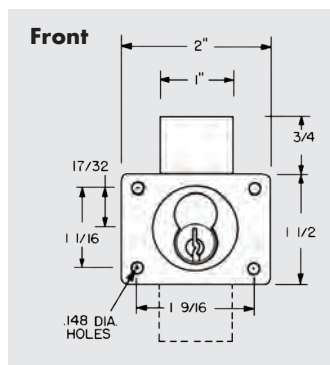
**For 1-3/8" barrel length locks:**

725-1 spacer to fit 6 or 7 pin cores; 725-PA plastic thumbturn; 10-054 1/4" plastic bar strike.



Finish	Item #	Function	Cyl Length	Description
Satin Chrome	OL721DR-26D	Door	1-1/4"	Lock body ONLY - For small format IC
Oil Rubbed Bronze	OL721DR-10B	Door	1-1/4"	Lock body ONLY - For small format IC
Satin Chrome	OL721DR-138-26D	Door	1-3/8"	Lock body ONLY - For small format IC
Satin Chrome	OL721DW-26D	Drawer	1-1/4"	Lock body ONLY - For small format IC
Oil Rubbed Bronze	OL721DW-10B	Drawer	1-1/4"	Lock body ONLY - For small format IC
Satin Chrome	OL721DW-138-26D	Drawer	1-3/8"	Lock body ONLY - For small format IC

**OL721DW Series**



A  
B  
C  
D  
E  
F  
G  
H  
I  
J  
K  
L  
M  
N  
O  
P  
Q  
R  
S  
T  
U  
V  
W  
X  
Y

**A SFIC CYLINDERS**

**206 Series SFIC Cylinders**



**Specifications**

**206 Series:** 6 pin core; **207 Series:** 7 pin core

**Cores:** Equivalent to Best, Arrow, Falcon or similar small format interchangeable cores

**Standard finish:** 26D

**Keying Information**

**Uncombined:** Core only (does not include pins, springs or keys)

**Keyed cores:** Specify KA, KD or MK (direct ship). Keyed cores include 2 change keys per core. 2 additional cut keys (master keys and/or control keys) are shipped with each project. Additional keys are available separately.

**Stamping/Engraving:** Custom stamping or engraving for cores and keys is available for an additional charge.



For BEST style interchangeable core cylinders

Custom Keying Available

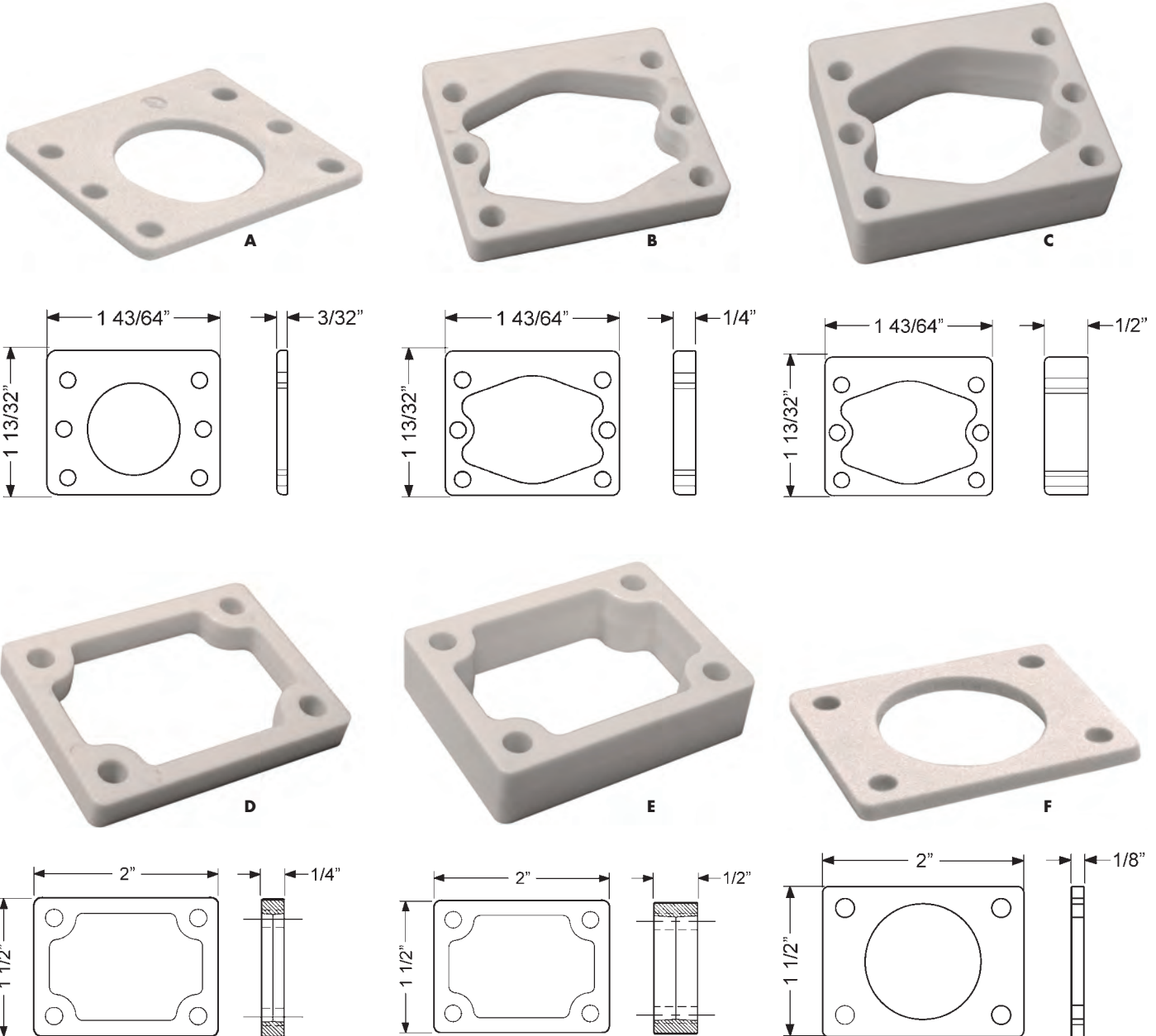
Finish	Item #	Description
Satin Chrome	OL206-*-26D	6 pin core, KA, KD or MK (Direct Ship)
Satin Chrome	OL207-*-26D	7 pin core, KA, KD or MK (Direct Ship)

\* = Insert KD for Keyed Different or Key way number for Keyed Alike (see below chart)

A	B	C	D	E	F	G	H	
J	K	L	M	Q	1C	1D	KMT300	

**SPACERS**

**Spacers, 7/8" and 1-1/8" Diameter Locks**



	Item #	Thickness	Lock Diameter	For Use With
A	OLWP21	3/32"	7/8"	100, 200, 500, 600, L20V, N078, R078
B	OLWP22	1/4"	7/8"	100, 200, 500, 600, L20V, N078, R078
C	OLWP23	1/2"	7/8"	100, 200, 500, 600, L20V, N078, R078
D	OL10-348	1/4"	1-1/8"	700, 721, 754, 777, 800, 850, 854, 888, 931, 950, L92, L72
E	OL10-349	1/2"	1-1/8"	700, 721, 754, 777, 800, 850, 854, 888, 931, 950, L92, L72
F	OL10-350	1/8"	1-1/8"	700, 721, 754, 777, 800, 850, 854, 888, 931, 950, L92, L72

A  
B  
C  
D  
E  
F  
G  
H  
I  
J  
K  
L  
M  
N  
O  
P  
Q  
R  
S  
T  
U  
V  
W  
X  
Y

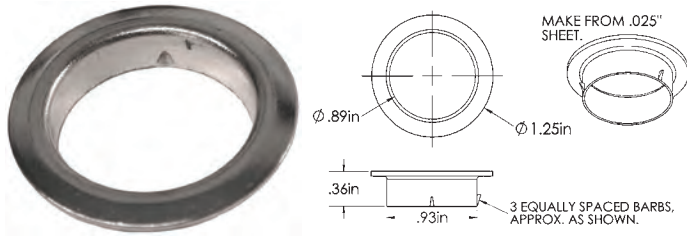
## A LOCK ACCESSORIES

### B Trim Rings, 7/8" and 1-1/8" Diameter Locks

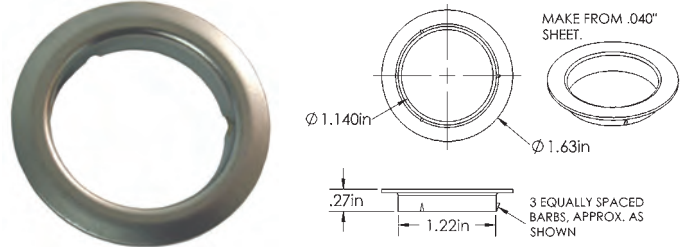
Trim rings cover chips or gouges in the laminate or wood hole that can be seen from the outside of the cabinet. They are used primarily to enhance the appearance of the overall lock installation.



#### OLTR1256 Series

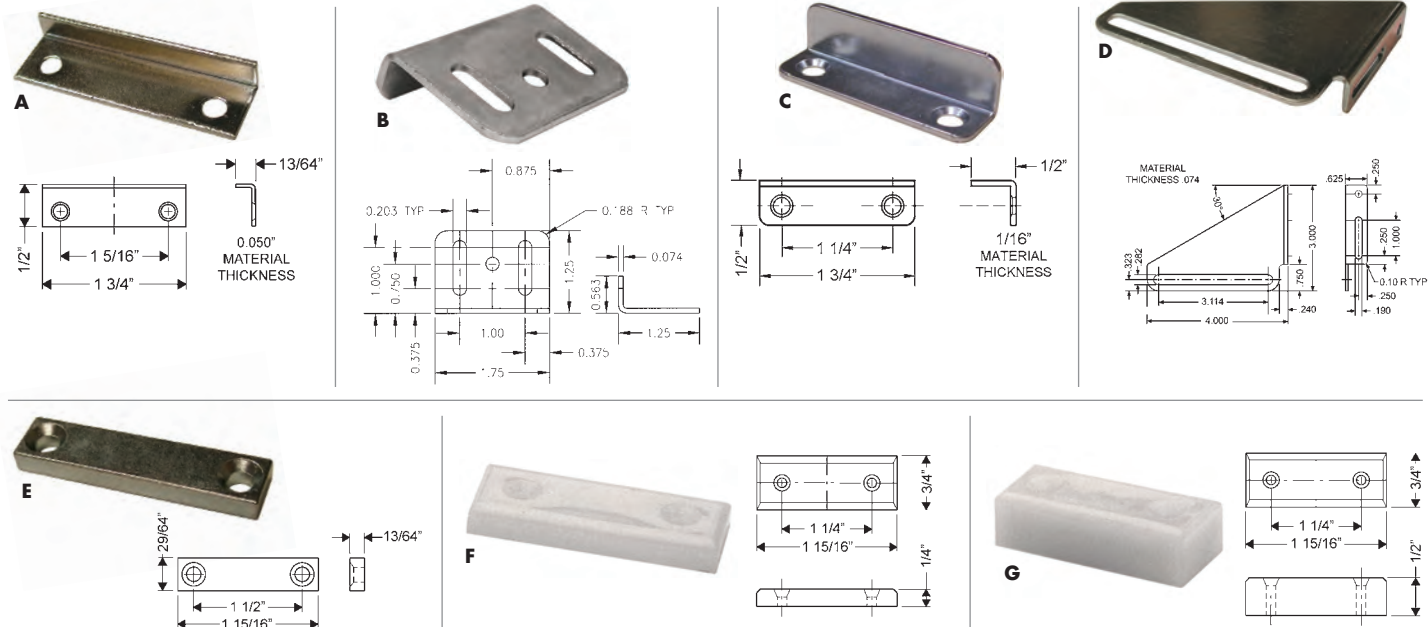


#### OLTR78 Series



Item #	Finish	Lock Dia	For Use With
OLTR1256-US3	Bright Brass	7/8"	100, 200, N078, 999, 998, 500, 600, R078, 997, 996, L20V
OLTR1256-10B	Oil Rubbed Bronze	7/8"	100, 200, N078, 999, 998, 500, 600, R078, 997, 996, L20V
OLTR1256-26D	Satin Chrome	7/8"	100, 200, N078, 999, 998, 500, 600, R078, 997, 996, L20V
OLTR78-US3	Bright Brass	1-1/8"	700, 800, 850, 950, 721, 725, 754, 854, 777, 888, 931, L72, L78, L92
OLTR78-10B	Oil Rubbed Bronze	1-1/8"	700, 800, 850, 950, 721, 725, 754, 854, 777, 888, 931, L72, L78, L92
OLTR78-26D	Satin Chrome	1-1/8"	700, 800, 850, 950, 721, 725, 754, 854, 777, 888, 931, L72, L78, L92

### Strikes



Item #	Style	Finish	
A	OL12-1-26D	Angle Strike	Satin Chrome
B	OL12-2-26D	Angle Strike, Heavy Duty	Satin Chrome
C	OL12-3-26D	Angle Strike, Medium	Satin Chrome
D	OL12-4-ZP	Frameless Drawer Strike	Zinc Plated

Item #	Style	Finish	
E	OL56-1-26D	Bar Strike	Satin Chrome
F	OL10-054	Bar Strike, 1/4"	White Plastic
G	OL10-055	Bar Strike, 1/2"	White Plastic

**LOCK ACCESSORIES**

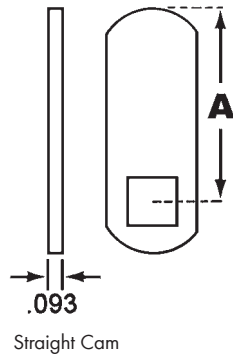
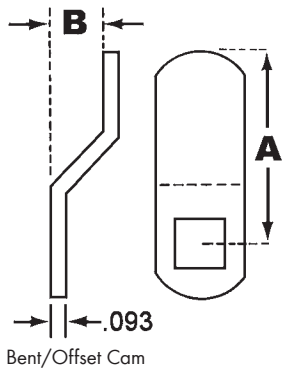
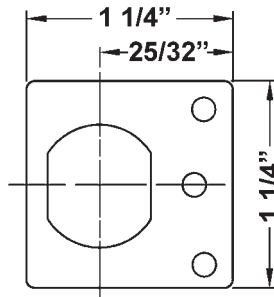


**Anti-Rotation Plate**

- For use with DCN and DCP Series Locks



<b>Item #</b>
OLDCNP-500-ARP



**Offset and Straight Cams**

- For use with DCP Series Locks

Item #	Type	Dim A	Dim B
OLDCP-114-18	Bent/Offset	1-1/4"	1/8"
OLDCP-LBC	Bent/Offset	1-1/4"	1/4"
OLDCP-LC-112	Straight	1-1/2"	-



**N Series Keys**

- Cut keys for N Series keyways

Item #	Description
OLKB-101-NP	Cut key for KA101 locks
OLKB-103-NP	Cut key for KA103 locks
OLKB-107-NP	Cut key for KA107 locks
OLKB-915-NP	Cut key for KA915 locks
OLKB-GM2MK-NP	Cut master key for GM2 (5-pin) master key system*

A  
B  
C  
D  
E  
F  
G  
H  
I  
J  
K  
L  
M  
N  
O  
P  
Q  
R  
S  
T  
U  
V  
W  
X  
Y

**A SPECIALTY LOCKS**



**Chest/Lid Locks, Surface Mounted**



- Lid locks for cedar chest application and other lid locking requirements
  - Surface mounted and requires a 9/16" diameter hole for cylinder
  - Key removable in both locked and unlocked positions, all keyed alike
  - Safety feature requiring operation of pushbutton to lock or latch lid closed
- Includes: Lock, one key, strike, and mounting screws

Item #	Bolt Type	Cylinder Length	Finish
NC8414-4G	Internal, Engages Strike	7/8"	Antique Brass



**Drawer Locks**



- Mounting flange: 1-1/2" x 2" wide with screw holes on 1-7/16" centers
  - Barrel OD: 7/8"
  - Bolt travel: 3/8"
  - Keyed: Alike
- Sold In: 1 Each

Item #	Description	Finish
KV986NP	Drawer Lock, mounts to material up to 7/8" thick	Nickel



**Aluminum Door Latches**



- For one way swinging gates
- Reversible for either right or left hand operation

Item #	Dimensions	Material	Finish	Box Qty
KV989-AL	2-3/8"W x 2"H	Aluminum	Aluminum	12



**Magnetic Cabinet Door Locks**



- A magnetic key placed on the outside of the cabinet door releases the catch; remove the magnetic key and the catch springs back
- The lock is not visible on the outside of the cabinet
- Maximum Door Thickness: 1 inch, requires 9/32 in. diameter plunger hole in door back
- **RVRAL-101-1:** Starter kit includes 5 locks with strike plates, templates, sets of screws, 2 keys, 1 drill stop and instructions in one carton. Sold as complete kits only.
- **RVRL201:** Lock is individually polybagged with a strike plate, screws and templates
- **RVRL202:** Magnetic key

Item #	Description	Box Qty
RVRAL-101-1	Starter Kit	1
RVRL201	Lock with Strike Plate	25
RVRL202	Magnetic Key	25



**SPECIALTY LOCKS**



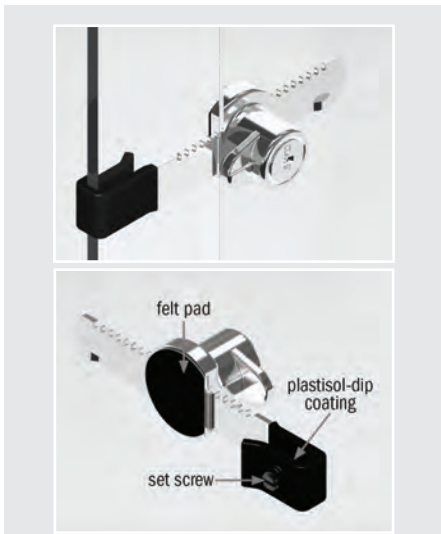
**By-Passing (Sliding) Door Lock  
For Doors up to 1" Thick**



- All keyed alike
- Changes are available Special Order

Item #	Keying	Finish
KV984KA	Keyed Alike	Bright Nickel

A  
B  
C  
D  
E  
F  
G  
H  
I  
J  
K  
L  
M  
N  
O  
P  
Q  
R  
S  
T  
U  
V  
W  
X  
Y



**Sliding Glass Door Lock**



- For glass 1/4" and thinner
- Plastisol dip coating reduces glass rattling with a snug fit
- Set screw keeps the lock from "drooping" down when in the locked position
- Felt pad eliminates rattling between the glass door and the lock body

NOTE: Other key codes available.

Contact your Würth Louis and Company representative for more information.

Item #	Keying	Finish
<b>CompX National Key Codes</b>		
NC8040-C346A-14A	Key #346	Bright Nickel
NC8040-C415A-14A	Key #415	Bright Nickel
NC8040-MMKD-14A	Keyed Different, Masterkeyed	Bright Nickel
<b>CompX Timberline Key Codes</b>		
TMB1-330-101TA	Key # 101	Bright Nickel
TMB1-330-102TA	Key # 102	Bright Nickel
TMB1-330-103TA	Key # 103	Bright Nickel
TMB1-330-104TA	Key # 104	Bright Nickel
TMB1-330-105TA	Key # 105	Bright Nickel

**Key your glass door locks to match your CompX National or Timberline disc tumbler door cabinet locks!**



FRONT



REAR

**Disc Tumbler Sliding Door Lock**



- For wood sliding doors - requires a 7/8" diameter hole in front door
- Pushing in cylinder locks doors
- Key removable in both locked and unlocked positions
- Supplied with two keys, strike and mounting screws
- If trim ring is required, order NC2017 separately (see page D-10)

Item #	Bolt Type	Cylinder Length	Bolt Travel
NC8043-C415A-14A	Plunger	1"	7/16"

A  
B  
C  
D  
E  
F  
G  
H  
I  
J  
K  
L  
M  
N  
O  
P  
Q  
R  
S  
T  
U  
V  
W  
X  
Y

**RATCHET LOCKS/DOUBLE DOOR LATCH**

**Sliding Door Locks**

• Sold by the each



A

	Item #	Type	Keyed	Finish	Material Thickness	Material Use	Size
A	KV962-CH	Adjustable Ratchet Lock	Alike	Chrome	Up to 3/4"	Any	3/4" to 3-3/8"
B	KV963-CH	Adjustable Ratchet Lock	Alike	Chrome	1/4"	Glass	3/4" to 3-3/8"
C	KV965-NK	Ratchet Lock	Alike	Polished Nickel	1/4"	Glass	1" to 3-3/8"



B



C



Example is TMBL200 with lock (sold separately) on right hand door:

**Double Door Latch**



- Eliminates the need for an elbow catch or other devices - allows hardware to be installed out of the way
- No need to reach inside cabinet to release elbow catch
- Doors can be closed in any order
- Low profile latch mechanism reduces product footprint inside cabinet
- Requires use of a single lock (sold separately)
- Allows 2 or 3 point locking for standard or wardrobe style double door cabinets used with a lock
- Exceeds pull force above 150lbs

**How To Order:**

1. Determine location of lock – right hand or left hand
2. Decide where latch is needed – top or bottom mount
3. Choose color – black or white

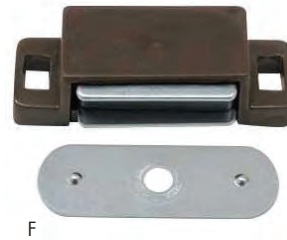
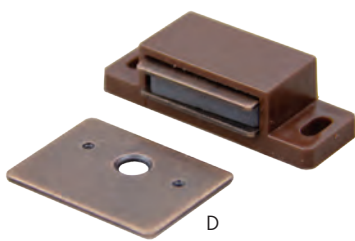
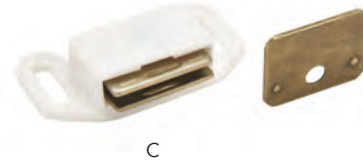
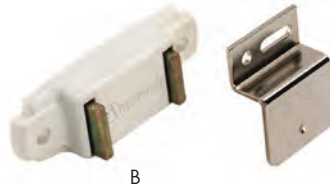
Lock Placement	Top Mount Kit Black Item #	Top Mount Kit White Item #
Lock on Right Door	TMBDL-200	TMBDL-200-W
Lock on Left Door	TMBDL-300	TMBDL-300-W

Lock Placement	Bottom Mount Kit Black Item #	Bottom Mount Kit White Item #
Lock on Right Door	TMBDL-300	TMBDL-300-W
Lock on Left Door	TMBDL-200	TMBDL-200-W

**MAGNETIC CATCHES & STRIKE PLATES**

**Plastic Casing Magnets and Strike Plates**

- All necessary screws included
- Magnets listed in order of pull force



	Pull Force (lbs.)	Magnet Design	Features	Magnet Housing/ Strike Plate Size	Case/Strike Finish	Item #	Sold In
A	5 lb	Double Pole	Includes three strike types: Flat for inset, L-shaped for overlay and Z-shaped for full inset doors	1-15/16"H x 3/4"D x 11/16"L/ (Flat) 1-1/8" H x 3/4" L (L-shaped) 1-1/8"H x 7/8"D x 3/4"L (Z-shaped) 1-1/8"H x 1/2"D x 1-1/2"L	Tan/Zinc	AM9765-TN	1
					White/Zinc	AM97653-W	1
B	5 lb	Double Pole	Z-shaped strike for full inset door applications	11/16"H x 3/4"D x 15/16"L/ 1-1/8"H x 1/2"D x 1-1/2"L	Tan/Zinc	AMCM9765-FPT	1
C	7.5 lb	Double Pole	-	1/2"H x 1-1/8"D x 2"L/ 3/4"H x 1-1/8"L	Tan	AM3473-PT	1
					White	AM3473-W	1
					Burnished Brass	AM9773-TN	1
D	9 lb	Double Pole	-	1/2"H x 7/8"D x 1-3/4"L/ 1/2"H x 1-3/8"L	Brown/Copper	JIC509.BN/AC	1
E	10 lb	Dual Dble Pole	-	17/32" H x 13/16"D x 2-7/8"L/ (2) 1-3/18"H x 7/8"L	White/ Zinc	EP1015WH	1
					Brown/Copper	EP1015BRP	1
F	5-11	Double Pole	-	15/16"W x 1/2"D	Brown / Zinc	FE298	1
G	8.81 lb	Double Pole	Includes strike and screws	1/2"H x 1-1/2"L	Brown	FUT50601-BRN	1
					White	FUT50601-WH	1

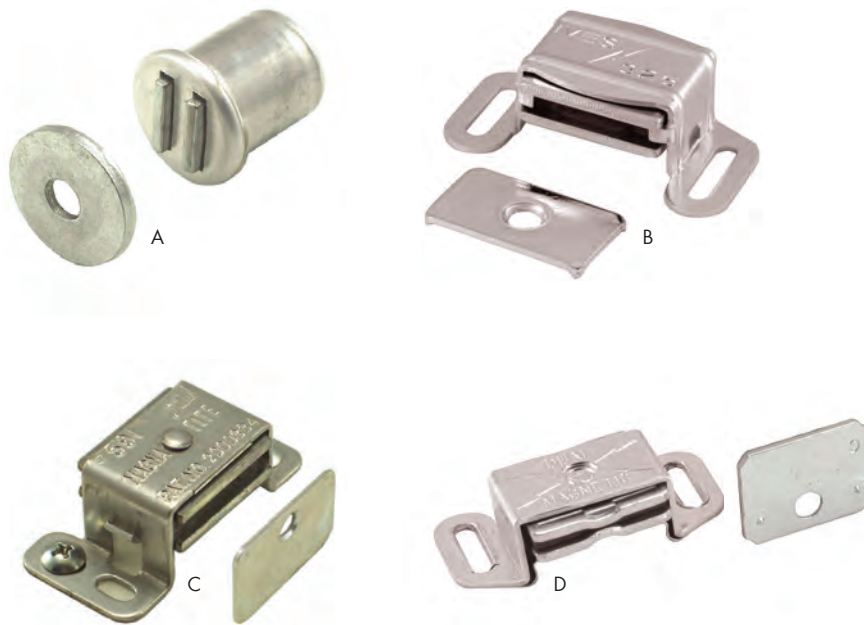
A  
B  
C  
D  
E  
F  
G  
H  
I  
J  
K  
L  
M  
N  
O  
P  
Q  
R  
S  
T  
U  
V  
W  
X  
Y

**A MAGNETIC CATCHES & STRIKE PLATES**

**Aluminum Casing Magnets and Strike Plates**  
**Standard Duty, Light Pull Force**



- Light pull force (4 to 7.5 lbs.) magnetic catches
- All necessary screws included
- Magnets listed in order of pull force

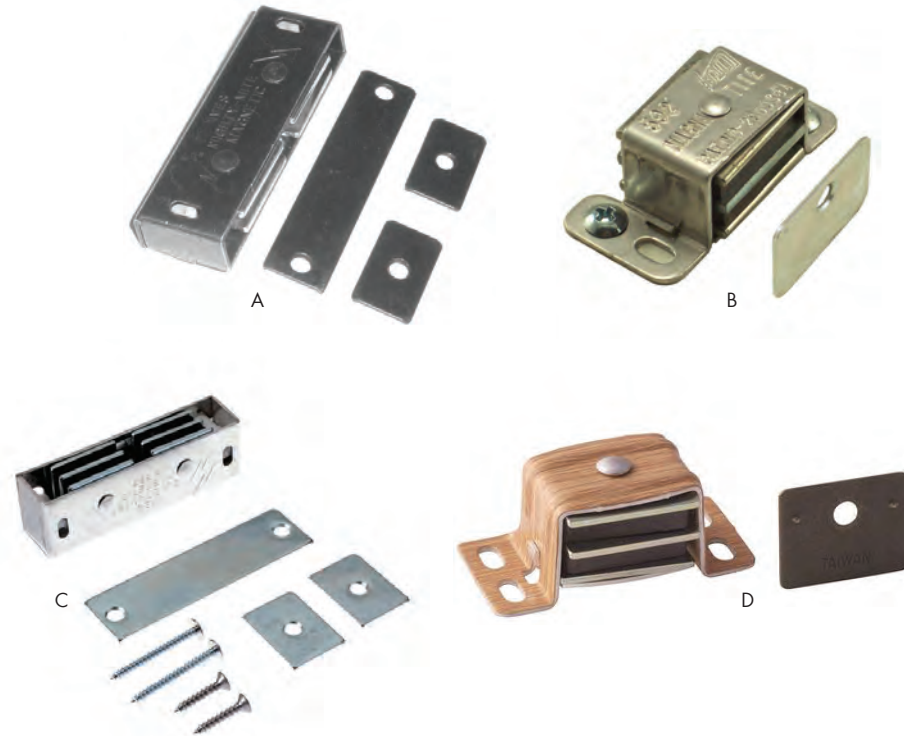


	Pull Force (lbs.)	Magnet Design	Features	Magnet Housing/ Strike Plate Size	Casing/ Strike Finish	Item #	Sold In
A	4 lbs.	Double Pole	Drive in magnet casing	5/8" Dia. x 3/4" Deep/3/4" Dia.	Aluminum/ Aluminum	EP600	1
B	5 lbs.	Double Pole	3 finishes	2-1/16"H x 1-1/8" D x 5/8"L / 5/8"H x 1-1/8"L	Alum./Alum.	IV325A-92	1
C	6.5 lbs.	Double Pole	Magnets rotate within casing to maintain maximum contact to strike	47/64"H x 3/4"D x 2-1/16" L / 13/16"H x 1-1/8"L	Aluminum/Zinc	EP591P	1
						EP591	250
D	7.5 lbs.	Double Pole	Magnets rotate within casing to maintain maximum contact to strike	1/2"H x 1"D x 2-3/16"L / 3/4"H x 1-1/8" L	Aluminum/ Aluminum	AM9783-AL	1

**MAGNETIC CATCHES & STRIKE PLATES**

**Aluminum Casing Magnets and Strike Plates**  
**Heavy Duty, Strong Pull Force**

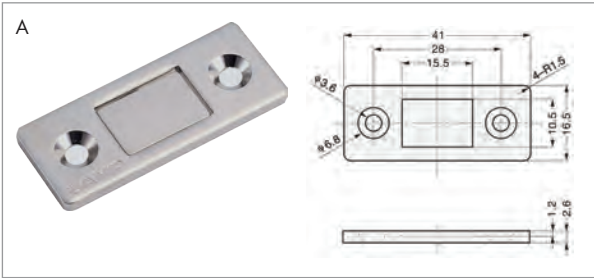
- Heavy pull force (9 lb to 16 lb)
- All necessary screws included
- Magnets listed in order of pull force



	<b>Pull Force (lb)</b>	<b>Magnet Design</b>	<b>Features</b>	<b>Magnet Housing/ Strike Plate Size</b>	<b>Casing / Strike Finish</b>	<b>Item #</b>	<b>Sold In</b>
A	9 lb	Dual Dble Pole	<ul style="list-style-type: none"> <li>• Magnets rotate within casing to maintain maximum contact to strike</li> </ul>	1-1/8"H x 2-1/16"D x 5/8"L/ Strike: (1) 11/16"H x 3-1/8" L Strike: (2) 5/8" H x 1-1/8" L	Aluminum/ Aluminum	IV326A-92	1
B	13 lb	Triple Pole	<ul style="list-style-type: none"> <li>• Magnets rotate within casing to maintain maximum contact to strike</li> </ul>	47/64" H x 1" D x 2-1/16" L/ 3/4"H x 1-1/8" L	Aluminum / Zinc	EP592P EP592B	1 250
C	14 lb	Dual Trple Pole	<ul style="list-style-type: none"> <li>• Magnets rotate within casing to maintain maximum contact to strikes</li> </ul>	3/4" H x 1"D x 3-1/8" L/ Strike: (1) 7/8" H x 3-1/8" L Strike: (2) 13/16"H x 1-1/8" L	Aluminum / Zinc	IV327A-92	1
D	16 lb	Triple Pole	<ul style="list-style-type: none"> <li>• Magnets rotate within casing to maintain maximum contact to strikes</li> <li>• Aluminum casing is a simulated wood grain</li> </ul>	13/16"H x 1-1/16"D x -1/32"L/ 3/4"H x 1"L	Woodgrain / Burnished Brass	AM9798-AW	1

A  
B  
C  
D  
E  
F  
G  
H  
I  
J  
K  
L  
M  
N  
O  
P  
Q  
R  
S  
T  
U  
V  
W  
X  
Y

**A SPECIALTY MAGNETIC CATCHES**

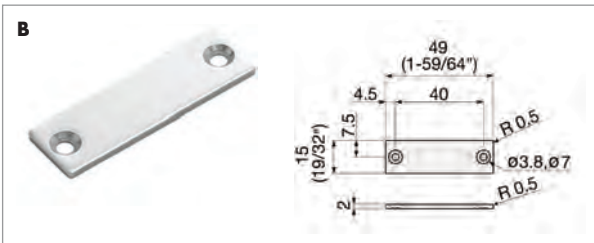


**Ultra Thin Magnet & Catch  
Pull Force 8.8 lbs.**



- Ultra thin magnet design is only 2.6mm thick
- Strike plate (sold separately) made of 316 stainless steel, 0.5mm thick
- Strike and screws sold separately

	Item #	Description	Finish
A	SGMC-159	Base	Nickel
B	SGMC-159-PLATE	Strike Plate	Nickel



**Ultra Thin Magnetic Catch**



- Unique ultra thin magnetic catch design ideal for tight spaces
- Counterplate included

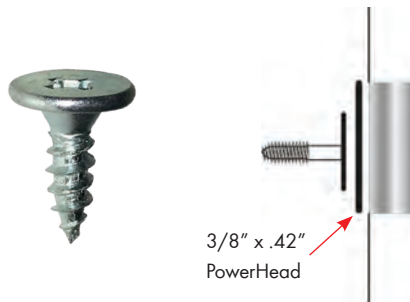
Item #	C/C	Dimensions	Magnetic Force
SGYN-001P	1"	1-3/8"W x 1/2"H x 3/32"Thick	5.9 lbs.



**Magnetic Catch, PowerMags**



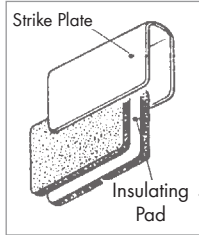
- High performance neodymium magnets inserts into a hole in cabinet frame
- Cabinet frame hole can be covered over using covercaps
- 3/8" L x .42" Dia. PowerHead screw is inserted into door to act as magnetic catch (sold separately)
- All sold in full packs as noted below



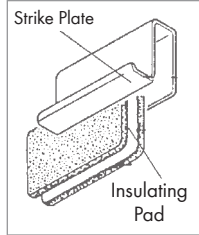
Item #	Magnet Size	Power	Description/Packing
FCPOWERMAG	9/16" x 3/16"	6 lb.	10 each Magnets
FCPOWERMAG18MM	9/16" x 3/16"	11 lb.	10 each Magnets
FCPOWERMAG3/4	3/4" x 3/8"	19 lb.	2 each Magnets
FCPHKMT.42-200PC	200 each PowerHead Screws		

## STRIKE PLATES

### Flush Style



### Pull Style



### Glass Door Strike Plates

- Designed for 1/4" thick glass doors
- No bore strike plates clamp to glass firmly with use of insulating pads (pads included)
- For use with magnetic push/touch latches



Item #	Finish	Dimensions
<b>Flush Style</b>		
WDT2942BLK	Black	29/32"H x 1-9/16"W x 5/16"D
WDT2942C	Bright Nickel	
<b>Pull Style</b>		
WDT7015	Black	15/15"H x 1-9/16"W x 7/16" Proj.
WDT7016	Bright Nickel	



### Strike Plates

- Galvanized steel strike plates for use with magnetic push/touch latches
- Zinc finish
- Recommended screw is WUMS5X12FPFZH (QUICK CODE L40205), (screws not included)



Item #	Type	Dimensions
WDT7080	Round	1.5mm Diameter, 1.5mm thick
WDT7082	Oval	35mm length x 12mm width, 1.5mm thick



### Non-Magnetic Push/Touch Latch Metal Housing

- For use on wood cabinets
- Opens cabinet doors automatically with a gentle touch of finger, arm or elbow
- Individually polypagged with screws and includes latch and catch



Item #	Finish
SYMTCHLCHJZ	Zinc Plated

**A MAGNETIC PUSH/TOUCH LATCHES**

B  
C  
D  
E  
F  
G  
H  
I  
J  
K  
L  
M  
N  
O  
P  
Q  
R  
S  
T  
U  
V  
W  
X  
Y



**Magnetic Push/Touch Latches**

- Polybagged with strike plate and screws



Item #	Color	Type	Pull Force	C/C	Latch Dimensions
FUT50703-BK	Black	Single	6.61 lbs	7/8"	1-5/8"W x 1-1/8"D
FUT50703-WH	White	Single	6.61 lbs	7/8"	1-5/8"W x 1-1/8"D
FUT50723-BK	Black	Double	13.23 lbs	2"	2-1/4"W x 1-7/8"D
FUT50723-WH	White	Double	13.23 lbs	2"	2-1/4"W x 1-7/8"D

**Magnetic Push/Touch Latches**

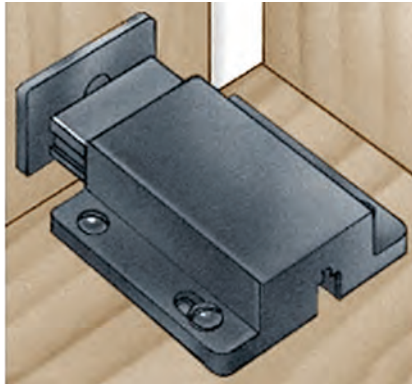
- Polybagged with strike plate and screws



Item #	Color	Throw Length	Type	Latch Dimensions
EP507BK	Black	7/16"	Single	1-11/32"L x 1-3/32"W x 5/8"H
EP507WH	White	7/16"	Single	1-11/32"L x 1-3/32"W x 5/8"H
EP508BK	Black	7/16"	Double	1-11/32"L x 2-5/16"W x 11/16"H



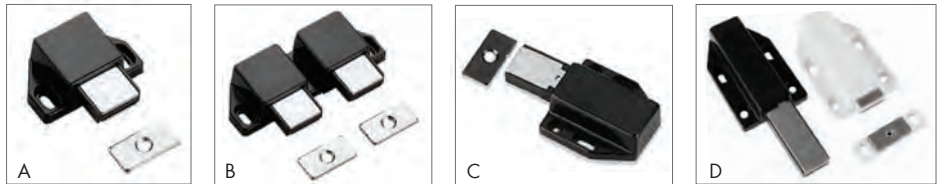
**MAGNETIC PUSH/TOUCH LATCHES**



**Magnetic Touch Latches**  
**Short, Medium & Long Throw Lengths**



- Spring-loaded mechanism pushes door open, when pushed in
- Latches have short, medium and long throw distances
- Strike plates included with all latches
- Single (one door) and double (two door) types available
- Plastic housing available in brown, black and white colors
- Magnetic pull force: A) 2.6 lbs., B) 2.6 lbs., C) 3.5 lbs., D) 5.2 lbs.
- Mounting screws not included



	Item #	Color	Throw Length	Type	Latch Dimensions	Strike Dimensions
A	SGML-30S/WHT	White	.33" Short	Single	1.2"L x 1.69"W x .63"H	.91"L x .47"W x .055" Thick
	SGML-30S/BRN	Brown	.33" Short	Single	1.2"L x 1.69"W x .63"H	.91"L x .47"W x .055" Thick
B	SGML-30W/BRN	Brown	.33" Short	Double	1.2"L x 1.69"W x .63"H	.91"L x .47"W x .055" Thick
	SGML-30W/WHT	White	.33" Short	Double	1.2"L x 1.69"W x .63"H	.91"L x .47"W x .055" Thick
C	SGML80-BN	Brown	.59" Medium	Single	1.72"L x 1.69"W x .59"H	.91"L x .47"W x .055" Thick
	SGML80-BK	Black	.59" Medium	Single	1.72"L x 1.69"W x .59"H	.91"L x .47"W x .055" Thick
	SGML80-WH	White	.59" Medium	Single	1.72"L x 1.69"W x .59"H	.91"L x .47"W x .055" Thick
D	SGML-120/BRN	Brown	1.57" Long	Single	2.97"L x 1.81"W x .67"H	1.34"L x 1.47"W x .20"Thick
	SGML-120/WHT	White	1.57" Long	Single	2.97"L x 1.81"W x .67"H	1.34"L x 1.47"W x .20"Thick



**Standard Retaining Force**

- Made of ABS black plastic, retaining force of 6.6 lbs.
  - Touch latch allows door to pop out when door is pushed in
  - Allow 3mm (1/8") space for push in release
- NOTE: Screws, latch and catch included.



Item #	Color
SGMC-28/BLK	Black



**Strong Retaining Force**

- Constructed of ABS plastic, retaining force of 17.6 lbs.
  - Floating strike for easy alignment
  - Allow 3mm (1/8") space for push in release
- NOTE: Screws, latch and catch included.



Item #	Color
SGMC37-BK	Black
SGMC-37/BRN-1	Brown
SGMC-37/WHT-1	White

A  
B  
C  
D  
E  
F  
G  
H  
I  
J  
K  
L  
M  
N  
O  
P  
Q  
R  
S  
T  
U  
V  
W  
X  
Y

**NON-MAGNETIC TOUCH LATCHES & TENSION CATCHES**



**Non-Magnetic Push/Touch Latches**



- Can be used on overlay, flush, and inset doors
- Mounts either horizontally or vertically
- Individually polypagged with screws. Latch and strike sold together

Item #	Strike Finish	Latch Finish
EP505BP	Brown Plastic	Brass Plated
EP505NP	White Plastic	Nickel Plated



**Tension Ball Catches**



- Retaining pressure adjustable (screw)
- Made of Brass
- Mounting screws not included
- Use 5 x 5/8" screw

Item #	Size	Description	Finish
FE511-1	1-1/4"	Brass Tension Ball Catch	Brass
FE511-2	2"	Brass Tension Ball Catch	Brass
FE511-3	2-3/4"	Brass Tension Ball Catch	Brass
FE511-4	2-3/8"	Brass Tension Ball Catch	Brass



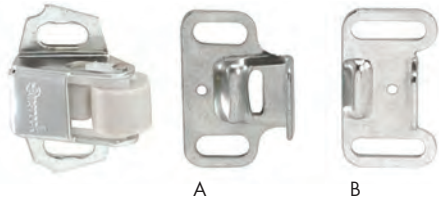
**Adjustable Tension Ball Catches**



- Solid brass catch and strike
- Screw on top and bottom provide adjustable tension
- Strike may enter from side or front

Item #	Finish	Catch Dimensions	Strike Dimensions	Screws Included
AD5111-PB	Bright Brass	1-11/16" L x 5/16" W x 3/8" D	1" L x 5/16" W x 3/8" D	No
EP1012DB	Dull Brass	1-15/16" L x 23/64" W x 7/16" D	1-7/64" L x 5/16" W x 23/64" D	Yes
EP1012DC	Dull Chrome	1-15/16" L x 23/64" W x 7/16" D	1-7/64" L x 5/16" W x 23/64" D	Yes
FUT7351255084	Bright Brass	2-3/8" L x 7/16" W x 1/2" D	1-7/16" L x 7/16" W x 1/2" D	No
EP1017DB	Dull Brass	2-23/32" L x 1/2" W x 37/64" D	1-21/32" L x 7/16" W x 37/64" D	Yes
SYMKK240CC	Bright Nickel	2-3/4" L x 1/2" W x 5/8" D	1-5/8" L x 1/2" W x 5/8" D	No

**ROLLER CATCHES**



**Small Metal Single Roller Catch**



- Base Size: 1-1/4" L x 1-3/8" W x 5/8" H
- Strike Size: (A) For Inset Doors: 1-3/4" L x 1-1/4" W x 1/2" H  
(B) For Overlay or Flush Doors: 1-3/4" L x 1-1/8" W x 1/2" H
- Screws and both strikes included

Item #	Finish
AM9823	Bright Zinc



**Large Metal Single Roller Catch**



- Base Size: 1-1/2" L x 2-1/8" W x 7/8" H
- Strike Size: 1/16" x 1-3/4"
- Screws included. Catch and strike sold together

Item #	Finish
AM9745-2G	Bright Zinc



**Plastic Double Roller Catches**



- Polyacetal plastic catch and polyamide finish strike
- Durability proven by 3,000,000 cycle test
- Catch and strike sold together
- Mounting screws not included

Item #	Pull Force	Color
SG6900-WH	3.5 lbs.	White
SG6901-WH	7.0 lbs.	White



**Metal Double Roller Catch**



- Steel with spring-cushioned polyethylene rollers
- Screws and strike included
- Base Size: 1-17/64" L x 9/16" W x 9/16" H
- Strike Size: 1-1/4" L x 3/8" H
- Screws included. Catch and strike sold together

Item #	Finish
EP5041P	Zinc Plated Steel



**Plastic Friction Catch, Non-Adjustable**



- White polyacetal catch and polyamide finish strike
- Mounting screws not included. Catch and strike sold together

Item #	Pull Force
SGK-CATCH-WH	15.6 Lbs.

A  
B  
C  
D  
E  
F  
G  
H  
I  
J  
K  
L  
M  
N  
O  
P  
Q  
R  
S  
T  
U  
V  
W  
X  
Y

**A FRICTION CATCHES & BULLET CATCHES**

B  
C  
D  
E  
F  
G  
H  
I  
J  
K  
L  
M  
N  
O  
P  
Q  
R  
S  
T  
U  
V  
W  
X  
Y



**Metal Friction Catch**

- Base Size: 1-5/16"L x 1-3/16"W x 1/2"H
- Strike Size: 1-1/4"L x 3/8"W x 5/8" H
- Screws included. Catch and strike sold together

Item #	Finish
AM34712-G	Zinc Plated Steel



**Metal Double Roller Catch**

- Overall Length: 1"
- Projection: 1/2"
- Width: 1-1/16"
- Screws included. Catch and strike sold together

Item #	Finish
AM3474-14	Nickel Plated Steel



**Bullet Catch**

- Furnished with strike and nail
- Made of Brass

Item #	Bore Dia.	Bore Depth	Finish
FE300-2	3/8"	7/16"	Bright Brass



**Bullet Catch**

- Furnished with strike and nail
- Catch and strike sold together

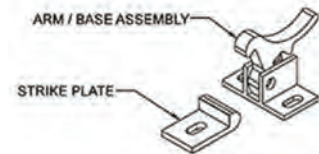
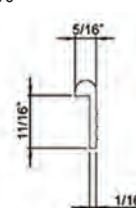
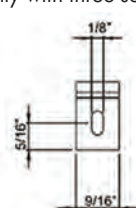
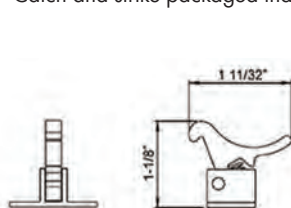
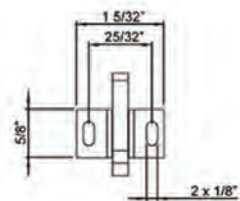
Item #	Bore Dia.	Bore Depth	Finish
SYM-12-3/8P	3/8"	7/16"	Bright Brass



**Elbow Catch**

- Used to secure one door to the cabinet in double door applications
- Allows for door to lock shut when pushed
- Requires releasing hook to open the door
- Meets ANSI/BHMA A156.9 B33023
- Woodwork Institute (WI) acknowledged product
- Can be used on left-hand or right-hand cabinet doors
- Catch and strike packaged individually with three screws

Item #	Finish
OLEC-2-26D	Satin Chrome



**Elbow Catch**

- Both catch and strike have slots to provide adjustment
- Strike plate has extra screw hole to prevent spinning on plastic laminate
- Made of Solid Brass
- Catch Size: 1-9/64" x 45/64"
- Strike Size: 7/8" length x 45/64" wide
- Individually polybagged with screws

Item #	Finish
EP1018N	Bright Chrome



**ELBOW & BALL CATCHES**



**Elbow Catch**



- Strike plate has extra screw hole to prevent spinning on plastic laminate
- Catch Size: 1-5/16" L x 1" W x 1" H
- Strike Size: 1" L x 7/16" W x 1/4" H
- Screws included. Catch and strike sold together

Item #	Finish
AM3675-2G	Bright Zinc

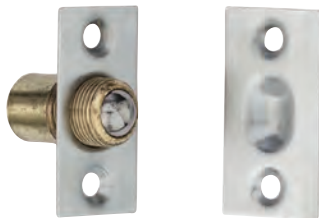


**Elbow Catches**



- Catch Size: 1-3/8" x 5/8"
- Strike Size: 13/16" x 5/8"
- Conforms to design requirements of ANSI/BHMA A156.9
- Catch and strike sold together

Item #	Finish
IV2AM	Natural Aluminum
IV2NK	Bright Nickel
IV2BR	Bright Brass



**Ball Catches, Small Adjustable**



- Adjustable threaded barrel compensates (up to 1/4") for various door clearances
- Adjustable spring tension
- Made from Wrought Brass
- Meets ANSI/BHMA A156.9 B23013
- Catch and strike sold together

Item #	Face Plate	Bore	Strike	Lip To Center	Finish
IV345B-26	3/4"W x 1-1/2"H	1"D x 9/16"Dia.	25/32"W x 1-1/2"H	13/32"	Bright Chrome
IV345B-10B	3/4"W x 1-1/2"H	1"D x 9/16"Dia.	25/32"W x 1-1/2"H	13/32"	Dark Satin Bronze
IV345B-5	3/4"W x 1-1/2"H	1"D x 9/16"Dia.	25/32"W x 1-1/2"H	13/32"	Antique Brass
IV345BR	3/4"W x 1-1/2"H	1"D x 9/16"Dia.	25/32"W x 1-1/2"H	13/32"	Bright Brass



**Ball Catch, Large Dual Adjustment**



- Catch is mounted in the door and the strike is mounted on the jamb
- Dual adjustment for door clearance and holding strength
- Adjustable threaded barrel compensates for various door clearances
- Adjustable spring tension
- Made from Wrought Brass, meets ANSI/BHMA A156.9 B23013
- Catch and strike sold together

Item #	Face Plate	Bore	Strike	Lip To Center	Finish
IV347B-26D	3/4"W x 1-1/2"H	1-3/8"D x 7/8"Dia.	1-3/8"W x 2-1/8"H	7/8"	Satin Chrome

A  
B  
C  
D  
E  
F  
G  
H  
I  
J  
K  
L  
M  
N  
O  
P  
Q  
R  
S  
T  
U  
V  
W  
X  
Y

**A PUSH KNOB CABINET LOCK**



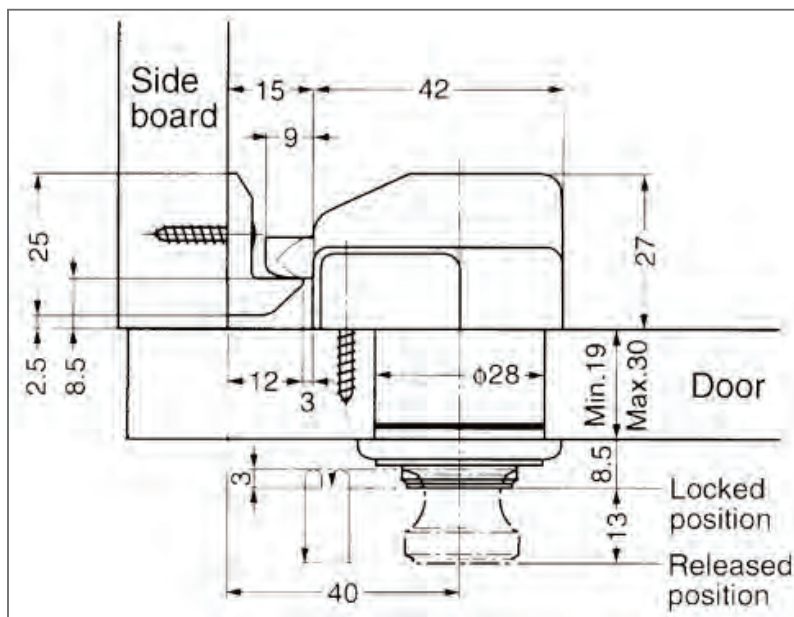
**Push Knob Cabinet Lock**

- Pushing in the button activates and secures the latch so the door will not open until the button is pushed again
- Suitable for left or right side use, and inset as well as overlay mounting
- Used for door thickness from 19mm up to 30mm
- Holding force of up to 44 lbs.
- Supplied with stainless steel screws
- Latch body is made of Polyamide; Push button is Solid Brass; and the base is made from Zinc Alloy

NOTE: Latch body and push button and base sold separately.



Item #	Description	Finish
SGTLP-BB/CH	Push Button and Base	Chrome
SGTLP-LBM/WHT	Latch Body	White



**SECTION E - TABLE OF CONTENTS**

**Section E Contents:**

Epoxy Drawer Slides.....2-7  
 PRO Full Extension & Soft-Close  
 Drawer Slides ..... 8-12  
 KV Light-Duty Drawer Slides ..... 13-14  
 KV Medium-Duty Drawer Slides..... 15-22  
 KV Heavy Duty Drawer Slides ..... 23-30  
 KV Keyboard & Specialty Slides.....31-33  
 Sugatsune Stainless Steel  
 Drawer Slides ..... 34-35  
 King Slide Soft-Close  
 Drawer Slides .....35  
 PRO Undermount Drawer Slides..... 36-39  
 Blum Undermount Drawer Slides ..... 40-67  
 Grass Undermount Drawer Slides..... 68-77  
 Hettich Undermount Drawer Slides...78-86  
 King Slide Undermount  
 Drawer Slides ..... 87  
 KV Undermount Drawer Slides..... 88-90  
 Salice Undermount Drawer Slides .... 91-95  
 Brackets, Spacers, & Accessories..... 96-99  
 File Drawer Frame Systems..... 100-103  
 Drawer Front Mounting Brackets  
 & Adjusters..... 104-105  
 Drawer Pushers, Label Holders,  
 & Index Followers..... 106  
 KV Pocket Door Slides ..... 107-110



- A
- B
- C
- D
- E**
- F
- G
- H
- I
- J
- K
- L
- M
- N
- O
- P
- Q
- R
- S
- T
- U
- V
- W
- X
- Y



NOTE: Some of the items in this section are not available in all markets. Please contact your Würth Louis and Company representative for more information.

**A PRO 50 SERIES EPOXY DRAWER SLIDES**

**B PRO 50 Series 3/4 Extension Epoxy Self-Closing Drawer Slides**



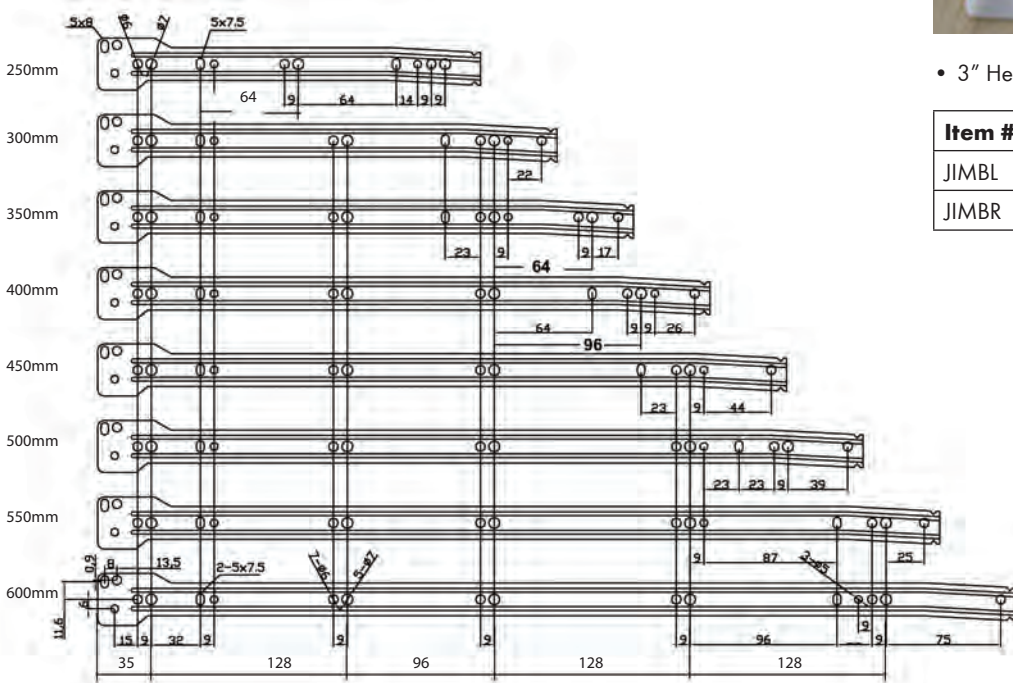
- Mounting: Bottom
- Weight Rating: 75 lb.
- Clearance: 1/2" + 1/32" - 0
- Material: Cold Rolled Steel
- Hole Pattern: 32mm
- Finish: Cream White
- Single captive design
- Double out stop with lift out disconnect
- Designed for face frame and frameless applications



White Epoxy Drawer Slides			White Epoxy Drawer Slides - Bulk Pack		
Size	Item #	Box Qty	Size	Item #	Box Qty
14"	J14000-14WH	25 Pair	12"	J14000-12WHB	100 Pair
16"	J14000-16WH	25 Pair	14"	J14000-14WHB	100 Pair
18"	J14000-18WH	25 Pair	16"	J14000-16WHB	100 Pair
20"	J14000-20WH	25 Pair	18"	J14000-18WHB	100 Pair
22"	J14000-22WH	25 Pair	20"	J14000-20WHB	100 Pair
24"	J14000-24WH	25 Pair	22"	J14000-22WHB	100 Pair



- 3" Heavy Duty Rear Mounting Brackets



Item #	Description	Box Qty
JIMBL	Left Hand	500
JIMBR	Right Hand	500



**GRASS EPOXY DRAWER SLIDES**

A  
B  
C  
D  
E  
F  
G  
H  
I  
J  
K  
L  
M  
N  
O  
P  
Q  
R  
S  
T  
U  
V  
W  
X  
Y

**6600 Series 75lb Side Mounted/Bottom Lip Drawer Slides**



- Side mounted with bottom lip for easy location
- Higher side screws prevent drawer sides from splitting
- Features 86mm (3-3/8") self-closing action, stability washer behind captive roller
- Profiled to prevent contact with possible protruding screw heads
- Side clearance 12.7mm (1/2")
- Extended length accommodates face frame cabinet depth
- Features extended front to provide clearance for inset trays, no extra blocking required
- Ideal for 3/8" lipped drawer fronts
- Face frame screw hole centers at 3/8", can also be stapled
- Made in the USA



**6600 Epoxy Drawer Slides - Bulk Packs**

Item #	Finish	Length	Box Qty
G6600-20WHB	White	20" (500mm)	20
G6600-22WHB	White	22" (550mm)	20
G6600-23WHB	White	22-1/2" (570mm)	20

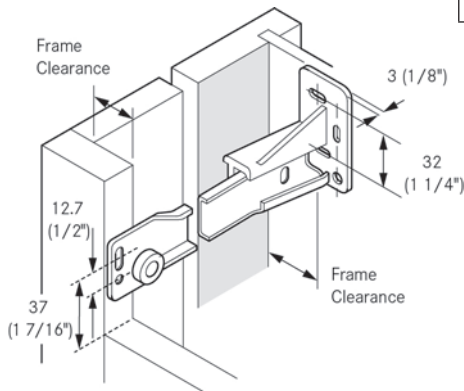
**6600 Epoxy Drawer Slides - Production Packs**

Item #	Finish	Length	Box Qty	Box Qty
G01225-09	White	22-1/2" (570mm)	Drawer Member Left	100
G01248-09	White	22-1/2" (570mm)	Drawer Member Right	100
G01376-09	White	23" (582mm)	Cabinet Member Left	100
G01415-09	White	23" (582mm)	Cabinet Member Right	100



**Face Frame Sockets**

Item #	Description	Box Qty
G00693-17	6600 Socket, Screw on, Left	500
G00694-17	6600 Socket, Screw on, Right	500



A  
B  
C  
D  
E  
F  
G  
H  
I  
J  
K  
L  
M  
N  
O  
P  
Q  
R  
S  
T  
U  
V  
W  
X  
Y

## GRASS EPOXY DRAWER SLIDES



### 6610 Series 75lb Bottom Mounted Epoxy Drawer Slides



- Bottom mounted with additional side mounting holes for convenience
- Features 60mm (2-5/8") parallel self-closing action
- Adapts to frame or frameless construction
- Available in almond and white epoxy finish
- Side clearance 12.7mm (1/2")
- Made in the USA



#### 6610 Epoxy Drawer Slides - White

Item #	Length	Box Qty
G6610-14WHB	14" (350mm)	20
G6610-16WHB	16" (400mm)	20
G6610-18WHB	18" (450mm)	20
G6610-20WHB	20" (500mm)	20
G6610-22WHB	22" (550mm)	20

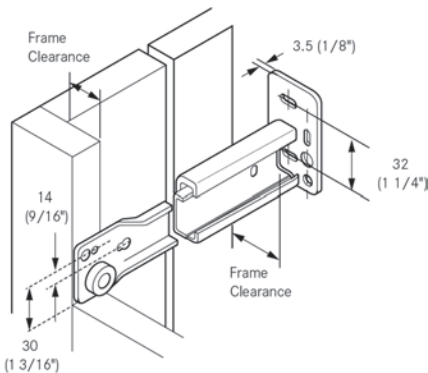
#### 6610 Epoxy Drawer Slides - Almond

Item #	Length	Box Qty
G6610-18ALB	18" (450mm)	20
G6610-20ALB	20" (500mm)	20
G6610-22ALB	22" (550mm)	20



#### 6610 Face Frame Sockets

Item #	Description	Box Qty
G13156-17	6610 Adapter Socket, Screw on, Left	500
G13157-17	6610 Adapter Socket, Screw on, Right	500



**GRASS EPOXY DRAWER SLIDE ACCESSORIES**

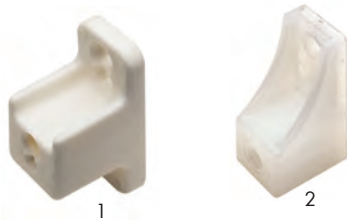


**6196 Bracket**

- Attaches cabinet member of drawer slide if no side panel is available
- Bracket can be used for right or left



Item #	Box Qty
G6196WH	50



**6195 Spacers for Cabinet Members**

- Designed for doors protruding into the cabinet and for inset drawers
- White finish



	Item #	Description	Box Qty
1	G6195	6195 Spacer, 1" (25mm), Screw-On	20
2	G13097	6195 Spacer/Pin, 1" (25mm), Screw-On with Pin	20

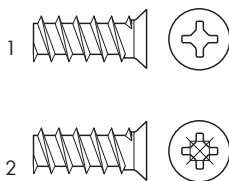


**Door/Drawer Protector**

- Attaches to side of wooden pull-out
- Designed for inset pull-out trays for frame or frameless cabinetry
- White finish



Item #	Box Qty
G13096	500



**Euro Screws, Nickel-Plated**



	Item #	Description	Box Qty
	G83001-43	7.5mm Euro Screw (5/16")	500
1	G81015	13mm Euro Screw (1/2")	500
	G83000	18mm Euro Screw (11/16")	500
2	G499.360.61.1015	11mm Euro Screw (7/16") Pozi	500



**Wood Screws, Nickel-Plated**



Item #	Description	Box Qty
G81014-43	#6 x 1/2" Phillips Head	500
G81001-43	#6 x 5/8" Phillips Head	500
G6X34FHNI	#6 x 3/4" Phillips Head	500



**Pozidrive Screwdriver**

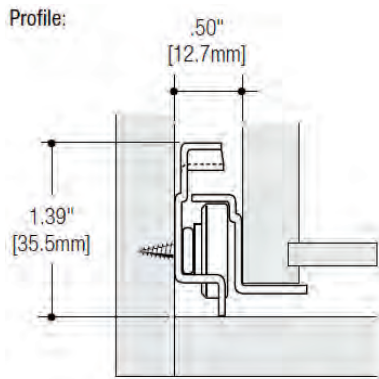


Item #	Description
GPD	#2 Pozidrive Screwdriver

A  
B  
C  
D  
E  
F  
G  
H  
I  
J  
K  
L  
M  
N  
O  
P  
Q  
R  
S  
T  
U  
V  
W  
X  
Y

**A KV 1805 EPOXY DRAWER SLIDES**

**B KV 1805 Epoxy-Coated Drawer Slides**



- 32mm mounting hole pattern
- Lift out disconnect
- Self-close design
- Recommended maximum drawer width 18"
- Mounting: Side
- Action: Rollers
- Load Rating: 75 lb. class
- Height: 1.39" (35.5mm)
- Clearance: .50" + .03" - 0" on each side
- Finish: White
- Q-packs packaged 100 pair per carton without screws, multiple cartons
- T-packs are packaged 1 pair taped together without screws. 20 pair per carton

1805 White Finish		
Length	T-Pack Item #	Q-Pack Item #
11-13/16" (300mm)	KV1805-12WHT	KV1805-12WHQ
13-3/4" (350mm)	KV1805-14WHT	KV1805-14WHQ
15-3/4" (400mm)	KV1805-16WHT	KV1805-16WHQ
17-3/4" (450mm)	KV1805-18WHT	KV1805-18WHQ
19-3/4" (500mm)	KV1805-20WHT	KV1805-20WHQ
21-5/8" (550mm)	KV1805-22WHT	KV1805-22WHQ
23-5/8" (600mm)	KV1805-24WHT	-



Mounting Brackets		
Item #	Description	Box Qty
KV1805-401RH	Right Hand Rear Mounting Bracket (4" socket)	50
KV1805-401LH	Left Hand Rear Mounting Bracket (4" socket)	50

## SALICE ADAR 208 EPOXY DRAWER SLIDES



### Adar 208 Series, 75lb 3/4 Extension Self-Closing Drawer Slides

- Salice Adar Series epoxy drawer slides are made in Italy
- Sturdy nylon wheel for a perfect motion
- Self-closing design with double safety pull out stop
- Model A280R has a cam height adjustment feature +1.5mm affixed to each of the drawer members
- Load capacity: 75 lb dynamic, 100 lb static
- Exceeds ANSI Grade 1 certification for commercial applications
- White epoxy finish

**SALICE**



#### White Epoxy Drawer Slides

Item #	Length	Box Qty
SAL20830	12"	25
SAL20835	14"	25
SAL20840	16"	25
SAL20845	18"	25
SAL20850	20"	25
SAL20855	22"	25
SAL20860	24"	25

#### White Epoxy Drawer Slides - Bulk Pack

Item #	Length	Box Qty
SAL20830.1	12"	100
SAL20835.1	14"	100
SAL20845.1	18"	100
SAL20850.1	20"	100
SAL20855.1	22"	100
SAL20860.1	24"	100



### Adar Rear Mounting Brackets

- Support Single Extension Epoxy Drawer Slides
- Brackets attach to the backside of a cabinet

Item #	Description	Box Qty
SALASO208NANDR	Right Hand Rear Bracket	200
SALASO208NANDL	Left Hand Rear Bracket	200

A  
B  
C  
D  
E  
F  
G  
H  
I  
J  
K  
L  
M  
N  
O  
P  
Q  
R  
S  
T  
U  
V  
W  
X  
Y

**A PRO 2.0 SERIES BALL BEARING DRAWER SLIDES**

B  
C  
D  
E  
F  
G  
H  
I  
J  
K  
L  
M  
N  
O  
P  
Q  
R  
S  
T  
U  
V  
W  
X  
Y



**PRO 2.0 Series 100 lb. Full Extension Ball Bearing Drawer Slides**



- Weight Rating: 100 lb.
- Type: Full Extension Ball Bearing
- Mounting: Side
- Material: Cold Rolled Steel
- Industry Rated: BHMA, KCMA, BIFMA, ANSI, SEFA 8.99
- Hole Pattern: 32mm
- Finish: Bright Zinc
- Clearance: 1/2" + 1/32" -0
- Continuous bearings ensure smooth and quiet performance
- Unhanded
- Lever disconnect
- Fixed rear brackets available

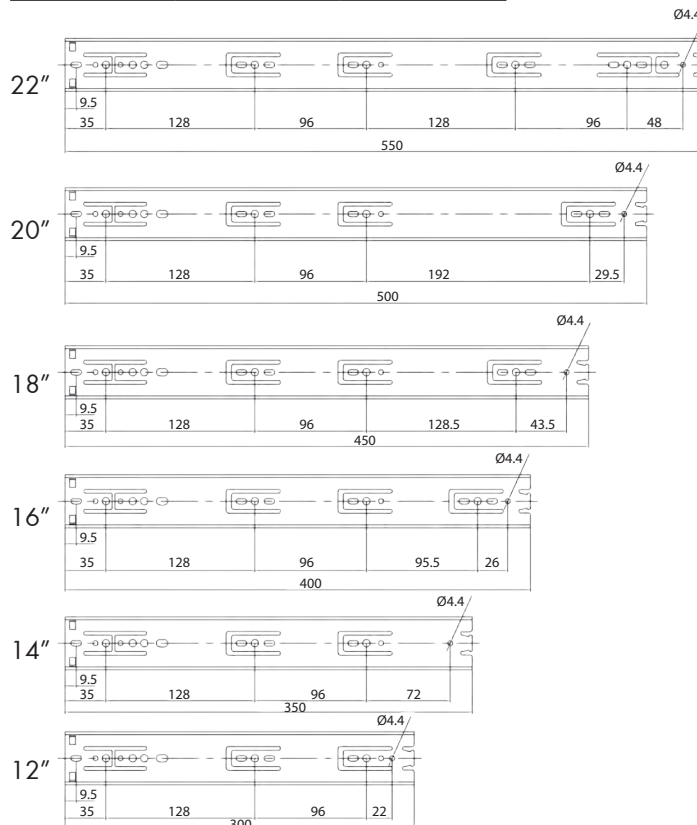
Item #	Size	Box Qty
PRO2.0-12	12"	10 Pair
PRO2.0-14	14"	10 Pair
PRO2.0-16	16"	10 Pair
PRO2.0-18	18"	10 Pair
PRO2.0-20	20"	10 Pair
PRO2.0-22	22"	10 Pair



**Fixed Rear Brackets**

- Two required per pair of slides

Item #	Box Qty
PRO2.0-RB	400



**PRO ECO BALL BEARING DRAWER SLIDES**



**PRO ECO Series, 100lb Ball Bearing Full Extension Drawer Slides**



- Weight Rating: 100 lbs
- Type: Full Extension Ball Bearing
- Clearance: 1/2" + 1/32" -0
- Pattern: 32mm
- Mounting: Side Mount
- Material: Cold Rolled Steel
- Extra smooth and quiet operation
- Lever disconnect
- ANSI/KCMA161.1-12

Item #	Length	Box Qty
PROECOB-12B	12"	15 Pair
PROECOB-14B	14"	15 Pair
PROECOB-16B	16"	15 Pair
PROECOB-18B	18"	15 Pair
PROECOB-20B	20"	15 Pair
PROECOB-22B	22"	15 Pair



**PRO ECO Rear Mounting Brackets**

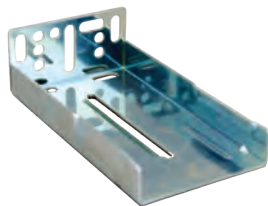
- Designed for PRO ECO Series Ball Bearing Drawer Slides

Item #	Description
PROECOB-RB	Rear Mounting Brackets

A  
B  
C  
D  
E  
F  
G  
H  
I  
J  
K  
L  
M  
N  
O  
P  
Q  
R  
S  
T  
U  
V  
W  
X  
Y

A  
B  
C  
D  
E  
F  
G  
H  
I  
J  
K  
L  
M  
N  
O  
P  
Q  
R  
S  
T  
U  
V  
W  
X  
Y

**PRO 100 SERIES BALL BEARING DRAWER SLIDES**

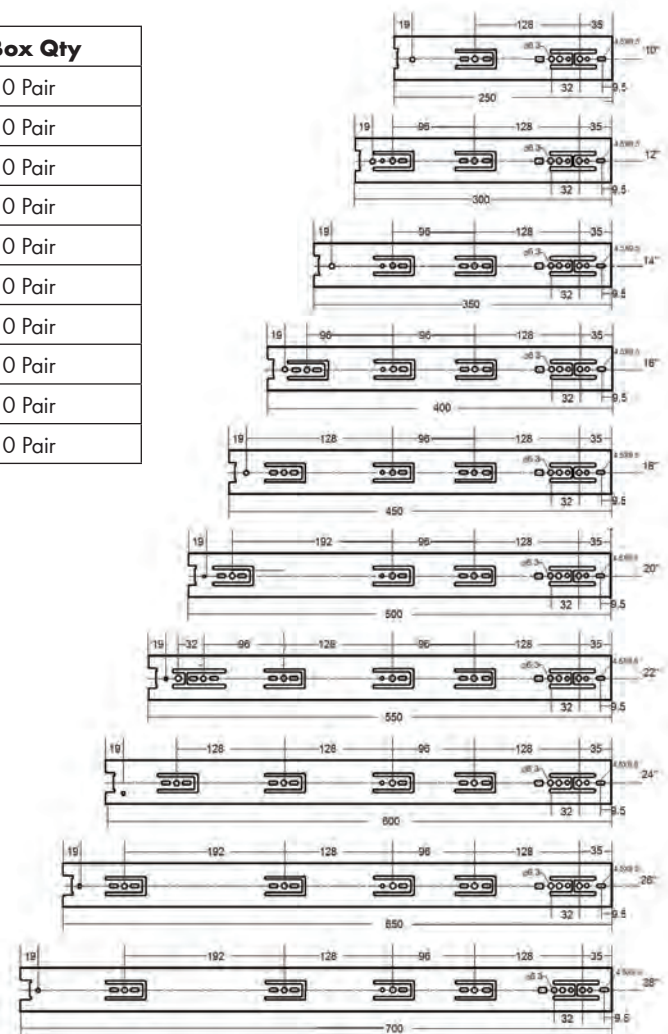


**PRO 100 Series 100 lb. Full Extension Ball Bearing Drawer Slides**



- Type: Full Extension Ball Bearing
- Mounting: Side
- Weight Rating: 100 lb.
- Clearance: 1/2" + 1/32" -0
- Material: Cold Rolled Steel
- Hole Pattern: 32mm
- Finish: Bright Zinc
- Industry Rated: BHMA, KCMA, BIFMA, ANSI, SEFA 8.99
- Front slotted hole for mounting directly to face frame
- Continuous bearings ensure smooth and quiet performance
- Unhanded
- Lever disconnect

Item #	Size	Box Qty
PRO100-10BM	10"	10 Pair
PRO100-12BM	12"	10 Pair
PRO100-14BM	14"	10 Pair
PRO100-16BM	16"	10 Pair
PRO100-18BM	18"	10 Pair
PRO100-20BM	20"	10 Pair
PRO100-22BM	22"	10 Pair
PRO100-24BM	24"	10 Pair
PRO100-26BM	26"	10 Pair
PRO100-28BM	28"	10 Pair



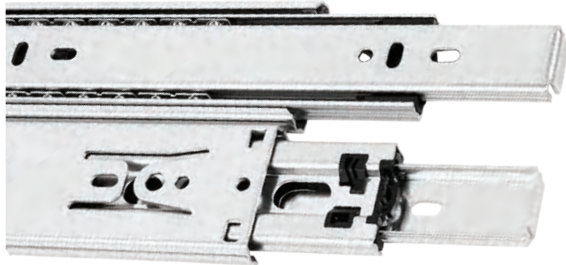
**Accessories:**

- Two required per pair of slides

Item #	Box Qty
PRO100RB	100



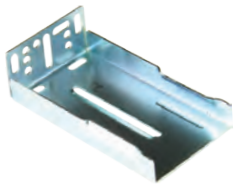
## PRO 100SC SUPER RAIL SOFT-CLOSE DRAWER SLIDES



### PRO 100SC Super Rail Soft-Close Drawer Slides



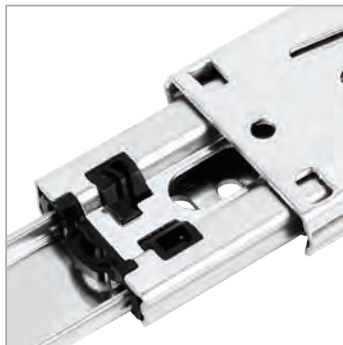
- Type: Full Extension Soft-Close Ball Bearing
- Mounting: Side
- Weight Rating: 100 lb.
- Clearance: 1/2" + 1/32" -0
- Material: Cold Rolled Steel
- Hole Pattern: 32mm
- Finish: Bright Zinc
- Industry Rated: BHMA, KCMA, BIFMA, ANSI, SEFA 8.99
- \*14" size is 7/8 extension
- Low pull-out force allows drawers to open easily
- Metal piston in soft-close device ensures smooth action
- Unhanded slides with lever disconnects
- Designed for frameless and face frame applications
- Backed by a limited lifetime warranty



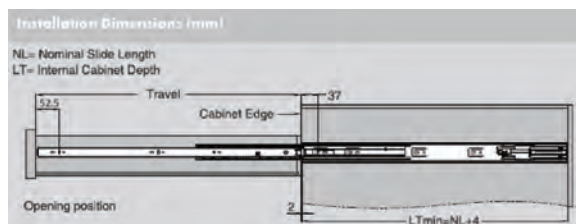
**Accessories:**

Item #	Box Qty
PRO100SC-RB	100 Pair

Item #	Size	Box Qty
PRO100SC-14BM	14"	10 Pair
PRO100SC-16BM	16"	10 Pair
PRO100SC-18BM	18"	10 Pair
PRO100SC-20BM	20"	10 Pair
PRO100SC-22BM	22"	10 Pair
PRO100SC-24BM	24"	10 Pair



### PRO 100SC Super Rail Drilling Instructions

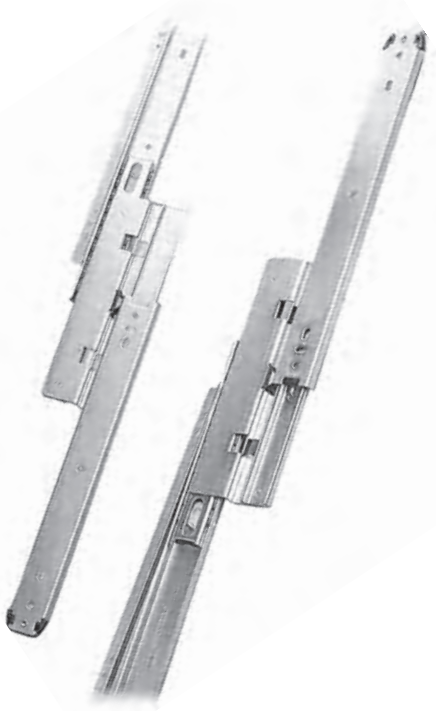
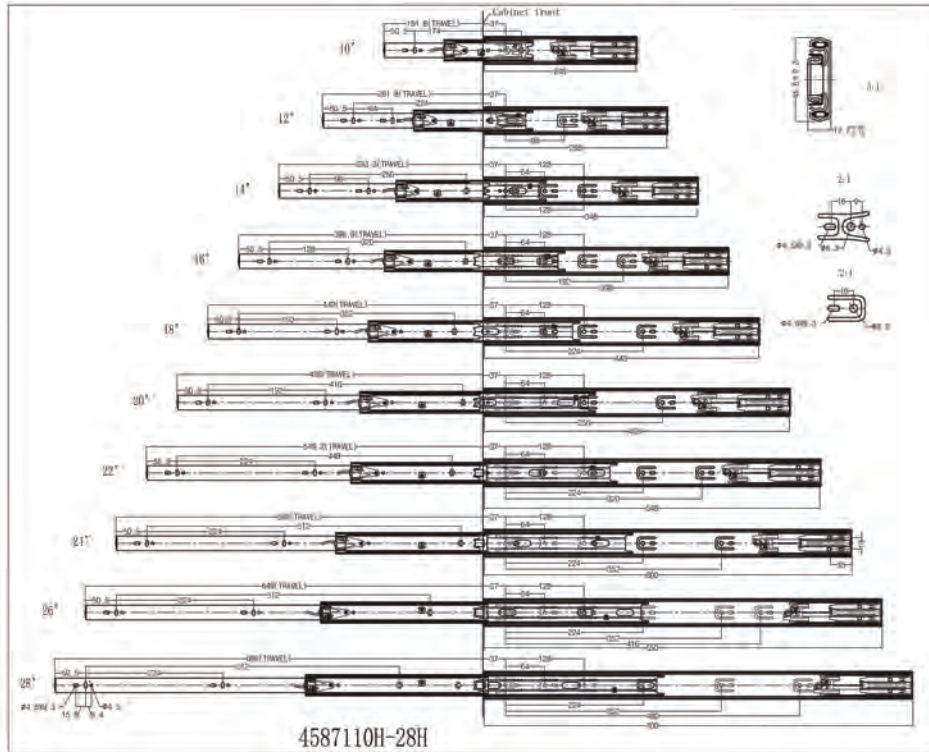


A  
B  
C  
D  
E  
F  
G  
H  
I  
J  
K  
L  
M  
N  
O  
P  
Q  
R  
S  
T  
U  
V  
W  
X  
Y

**A PRO 100SC SPECS & PRO 150 LB. FILE DRAWER SLIDES**

B  
C  
D  
E  
F  
G  
H  
I  
J  
K  
L  
M  
N  
O  
P  
Q  
R  
S  
T  
U  
V  
W  
X  
Y

**PRO100SC  
Super Rail Specs**



**Side Mount 150 Lb. Ball Bearing Slides  
1" Overtravel Economy File Drawer Slides**



- Non-handed
- Side Clearance: 1/2" Height: 3.79"
- 32mm Pattern: Yes
- Available finishes: Bright Zinc
- Recommended Fasteners: #8 x 7/16" Phillips Pan Head (WUMS8X716RSPZT)
- Features: Heavy duty extension with progressive movement. Very quiet and smooth function for both box drawer and lateral drawer applications. Drawer rail disconnects from slide with a quick release clip. Handed slide members with unhandled rails. Product can be used in lateral applications up to 30" in width

Item #	Size	Box Qty
J15000-14-ZPOT	14"	10 Pair
J15000-16-ZPOT	16"	10 Pair
J15000-18-ZPOT	18"	10 Pair
J15000-20-ZPOT	20"	10 Pair
J15000-22-ZPOT	22"	10 Pair
J15000-26-ZPOT	26"	10 Pair

## KV 1300 LIGHT-DUTY DRAWER SLIDES

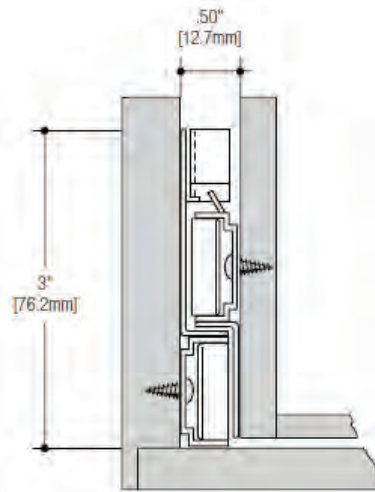


### KV 1300 3/4 Extension Drawer Slides



- Positive stop lever
- Stay close design
- Recommended maximum drawer width 18"
- Mounting: Side
- Action: Ball-bearing rollers
- Load Rating: 75 lb. class
- Height: 3" (76.2mm)
- Clearance: .50" + .03" - 0" on each side
- Finish: Zinc
- Bulk items packaged 10 pair per box without screws
- Polybag items packaged 1 pair per bag with screws

1300 Zinc Finish		
Length	Bulk Item #	Polybag Item #
12"	-	KV1300-12
14"	-	KV1300-14
16"	KV1300-16B	KV1300-16
18"	KV1300-18B	KV1300-18
20"	KV1300-20B	KV1300-20
22"	KV1300-22B	KV1300-22
24"	KV1300-24B	KV1300-24
26"	-	KV1300-26



A  
B  
C  
D  
E  
F  
G  
H  
I  
J  
K  
L  
M  
N  
O  
P  
Q  
R  
S  
T  
U  
V  
W  
X  
Y

**A KV 4400 LIGHT-DUTY DRAWER SLIDES**

B  
C  
D  
E  
F  
G  
H  
I  
J  
K  
L  
M  
N  
O  
P  
Q  
R  
S  
T  
U  
V  
W  
X  
Y



**KV 4400 Low Profile Full Extension Drawer Slides**

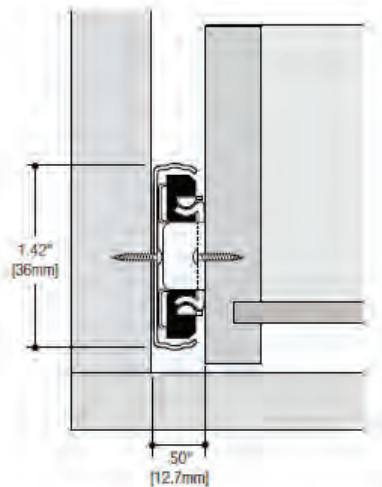


- Lever release
- Hold-in detent
- Recommended maximum drawer width 24"
- Mounting: Side
- Action: Telescopic movement on ball-bearings
- Load Rating: 65 lb. class
- Height: 1.42" (36mm)
- Clearance: .50" + .03" - 0" on each side
- Finish: Zinc (ZC)

4400 Zinc Finish		
Length	Item #	Box Qty
10"	KV4400-10B	10 Pair
12"	KV4400-12B	10 Pair
14"	KV4400-14B	10 Pair
16"	KV4400-16B	10 Pair
18"	KV4400-18B	10 Pair
20"	KV4400-20B	10 Pair
22"	KV4400-22B	10 Pair



Mounting Brackets			
	Item #	Description	Box Qty
1	KV4101B	Rear Mounting Bracket - Unhanded	20
2	KV4104B	Front Face Frame Bracket - Unhanded	20

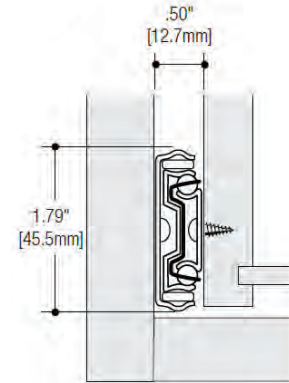


# KV 8400 MEDIUM-DUTY DRAWER SLIDES

## KV 8400 Full Extension Drawer Slides



- 32mm hole pattern with direct access mounting
- Lever disconnect for easy drawer removal
- Non-handed design
- Recommended maximum drawer width 24"
- Mounting: Side
- Action: Telescopic movement on ball-bearings
- Load Rating: 100 lb. class
- Height: 1.79" (45.5mm)
- Clearance: .50" + .03" - 0" on each side
- Finish: Anochrome (ANO), Ebony Black (EB), White (WH)
- Bulk items packaged in full boxes of 10 pair without screws
- Polybag items packaged 1 pair per bag with screws
- Q-packs (50 pair per box without screws) also available



8400 Anochrome Finish		
Length	Bulk Item #	Polybag Item #
8"	KV8400-8B	KV8400-8
10"	KV8400-10B	KV8400-10
12"	KV8400-12B	KV8400-12
14"	KV8400-14B	KV8400-14
16"	KV8400-16B	KV8400-16
18"	KV8400-18B	KV8400-18
20"	KV8400-20B	KV8400-20
22"	KV8400-22B	KV8400-22
24"	KV8400-24B	KV8400-24
26"	KV8400-26B	KV8400-26
28"	KV8400-28B	KV8400-28

8400 Ebony Black Finish		
Length	Bulk Item #	Polybag Item #
8"	KV8400-8BKB	-
10"	KV8400-10BKB	-
12"	KV8400-12BKB	-
14"	KV8400-14BKB	-
16"	KV8400-16BKB	KV8400-16BK
18"	KV8400-18BKB	KV8400-18BK
20"	KV8400-20BKB	KV8400-20BK
22"	KV8400-22BKB	KV8400-22BK
24"	KV8400-24BKB	KV8400-24BK
26"	KV8400-26BKB	-
28"	KV8400-28BKB	-

8400 White Finish	
Length	Bulk Item #
8"	KV8400-8WHB
10"	KV8400-10WHB
12"	KV8400-12WHB
14"	KV8400-14WHB
16"	KV8400-16WHB
18"	KV8400-18WHB
20"	KV8400-20WHB
22"	KV8400-22WHB
24"	KV8400-24WHB
26"	KV8400-26WHB
28"	KV8400-28WHB

Mounting Brackets		
Item #	Description	Box Qty
KV8401	Rear Zinc Mounting Bracket	20
KV8402B	Rear Zinc Mounting Bracket	20
KV8402BBL	Rear Zinc Mounting Bracket	400
KV8404ANO	Front Zinc Mounting Bracket	20
KV8404ANOB	Front Zinc Mounting Bracket	100
KV8404ANOBBL	Front Zinc Mounting Bracket	400
KV8404BK	Front Black Mounting Bracket	20
KV8404ANOKIT	2 (8403) + 2 (8404) + Screws	1

A  
B  
C  
D  
E  
F  
G  
H  
I  
J  
K  
L  
M  
N  
O  
P  
Q  
R  
S  
T  
U  
V  
W  
X  
Y

**A KV 8405 MEDIUM-DUTY DRAWER SLIDES**

B  
C  
D  
E  
F  
G  
H  
I  
J  
K  
L  
M  
N  
O  
P  
Q  
R  
S  
T  
U  
V  
W  
X  
Y



**KV 8405 Over-Travel Drawer Slides**

- 1" over travel for full access to drawer contents
- Lever disconnect for easy drawer removal
- Non-handed design
- Recommended maximum drawer width 24"
- Mounting: Side
- Action: Telescopic action on ball-bearings
- Load Rating: 100 lb. class
- Height: 1.79" (45.5mm)
- Clearance: .50" + .03" - 0" on each side
- Finish: Anochrome (ANO), Ebony Black (EB)
- Bulk items packaged in full boxes of 10 pair without screws
- Polybag items packaged 1 pair per bag with screws



8405 Anochrome Finish		
Length	Bulk Item #	Polybag Item #
10"	KV8405-10B	KV8405-10
12"	KV8405-12B	KV8405-12
14"	KV8405-14B	KV8405-14
16"	KV8405-16B	KV8405-16
18"	KV8405-18B	KV8405-18
20"	KV8405-20B	KV8405-20
22"	KV8405-22B	KV8405-22
24"	KV8405-24B	KV8405-24
26"	KV8405-26B	KV8405-26
28"	KV8405-28B	KV8405-28
28"	KV8400-28B	KV8400-28

8405 Ebony Black Finish	
Length	Bulk Item #
14"	KV8405-14BKB
18"	KV8405-18BKB
20"	KV8405-20BKB
22"	KV8405-22BKB



8401

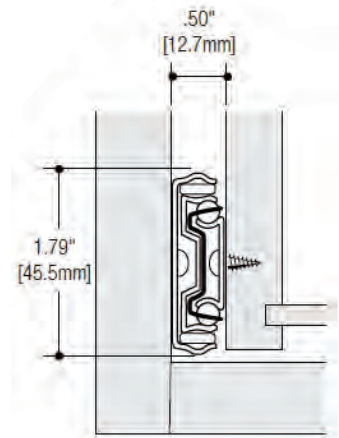


8402



8404

Mounting Brackets		
Item #	Description	Box Qty
KV8401	Rear Zinc Mounting Bracket	20
KV8402B	Rear Zinc Mounting Bracket	20
KV8402BBL	Rear Zinc Mounting Bracket	400
KV8404ANO	Front Zinc Mounting Bracket	20
KV8404ANOB	Front Zinc Mounting Bracket	100
KV8404ANOBBL	Front Zinc Mounting Bracket	400
KV8404BK	Front Black Mounting Bracket	20
KV8404ANOKIT	2 (8403) + 2 (8404) + Screws	1



# KV 8407 MEDIUM-DUTY DRAWER SLIDES

## KV 8407 Full Extension Drawer Slides with Shelf Tabs



- 32mm hole pattern with direct access mounting
- Lever disconnect for easy drawer removal
- Integrated shelf tabs
- Recommended maximum drawer width 24"
- Mounting: Side
- Action: Telescopic movement on ball-bearings
- Load Rating: 100 lb. class
- Height: 1.79" (45.5mm)
- Clearance: .50" + .03" - 0" on each side
- Finish: Anochrome (ANO); Ebony Black (EB) special order
- Bulk items packaged in full boxes of 10 pair without screws
- Polybag items packaged 1 pair per bag with screws



Tab Detail



8401



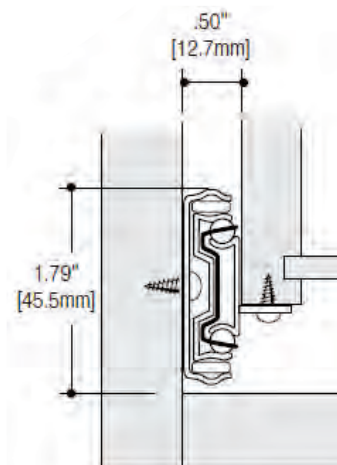
8402



8404

8407 Anochrome Finish	
Length	Polybag Item #
16"	KV8407-16
18"	KV8407-18
20"	KV8407-20
22"	KV8407-22

Mounting Brackets		
Item #	Description	Box Qty
KV8401	Rear Zinc Mounting Bracket	20
KV8402B	Rear Zinc Mounting Bracket	20
KV8402BBL	Rear Zinc Mounting Bracket	400
KV8404ANO	Front Zinc Mounting Bracket	20
KV8404ANOB	Front Zinc Mounting Bracket	100
KV8404ANOBBL	Front Zinc Mounting Bracket	400
KV8404BK	Front Black Mounting Bracket	20
KV8404ANOKIT	2 (8403) + 2 (8404) + Screws	1



A  
B  
C  
D  
E  
F  
G  
H  
I  
J  
K  
L  
M  
N  
O  
P  
Q  
R  
S  
T  
U  
V  
W  
X  
Y

**A KV 8414 MEDIUM-DUTY DRAWER SLIDES**

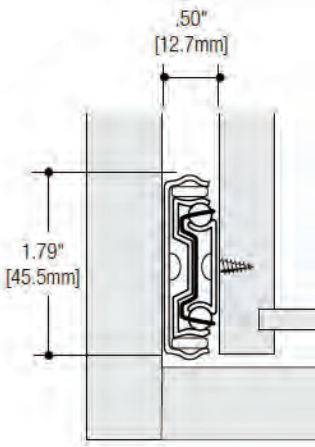
B  
C  
D  
E  
F  
G  
H  
I  
J  
K  
L  
M  
N  
O  
P  
Q  
R  
S  
T  
U  
V  
W  
X  
Y



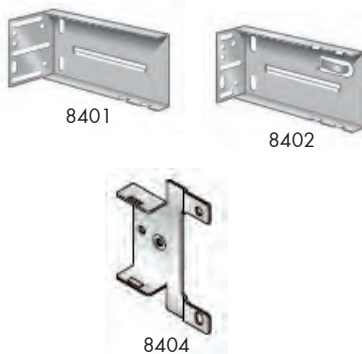
**KV 8414 Full Extension Hold-Out Precision Drawer Slides**



- 32mm hole pattern with direct access mounting
- Lever disconnect for easy drawer removal
- Hold-out feature holds slide in place when drawer is open
- Recommended maximum drawer width 24"
- Mounting: Side
- Action: Telescopic movement on ball-bearings
- Load Rating: 100 lb. class
- Height: 1.79" (45.5mm)
- Clearance: .50" + .03" - 0" on each side
- Finish: Anochrome (ANO); Ebony Black (EB) special order
- Bulk items packaged in full boxes of 10 pair without screws
- Polybag items packaged 1 pair per bag with screws



8414 Anochrome Finish		
Length	Bulk Item #	Polybag Item #
12"	KV8414-12B	KV8414-12
14"	KV8414-14B	KV8414-14
16"	KV8414-16B	KV8414-16
18"	KV8414-18B	KV8414-18
20"	KV8414-20B	KV8414-20
22"	KV8414-22B	KV8414-22
24"	KV8414-24B	-



Mounting Brackets		
Item #	Description	Box Qty
KV8401	Rear Zinc Mounting Bracket	20
KV8402B	Rear Zinc Mounting Bracket	20
KV8402BBL	Rear Zinc Mounting Bracket	400
KV8404ANO	Front Zinc Mounting Bracket	20
KV8404ANOB	Front Zinc Mounting Bracket	100
KV8404ANOBBL	Front Zinc Mounting Bracket	400
KV8404BK	Front Black Mounting Bracket	20
KV8404ANOKIT	2 (8403) + 2 (8404) + Screws	1

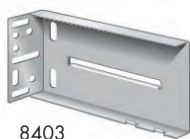
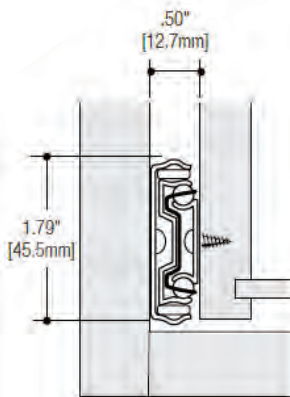


# KV 8417/8419/8400RV MEDIUM-DUTY DRAWER SLIDES

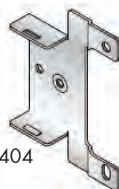
## KV 8417, 8419, 8400RV Self-Closing Drawer Slides



- 32mm hole pattern with direct access mounting
- Self-closing feature
- 8400RV features a stronger spring for mobile applications
- Recommended maximum drawer width 24"
- 8417: Self-closing full extension drawer slide
- 8419: Self-closing 1" over travel drawer slide
- 8400RV: Heavy-Duty self-closing full extension drawer slide
- Mounting: Side
- Action: Telescopic movement on ball-bearings
- Load Rating: 100 lb. class (8417/8400RV); 90 lb. class (8419)
- Height: 1.79" (45.5mm)
- Clearance: .50" + .03" - 0" on each side
- Finish: Anochrome (ANO)
- Bulk items packaged in full boxes of 10 pair without screws
- Polybag items packaged 1 pair per bag with screws



8403



8404

### 8417 Full Extension Series Drawer Slides

Length	Anochrome Bulk Item #	Anochrome Polybag Item #
12"	KV8417-12B	KV8417-12
14"	KV8417-14B	KV8417-14
16"	KV8417-16B	KV8417-16
18"	KV8417-18B	KV8417-18
20"	KV8417-20B	KV8417-20
22"	KV8417-22B	KV8417-22
24"	KV8417-24B	KV8417-24
26"	KV8417-26B	KV8417-26

### 8419 Overtravel Slides - Anochrome Finish

Length	Bulk Item #	Polybag Item #
14"	-	KV8419-14
16"	-	KV8419-16
18"	-	KV8419-18
20"	KV8419-20B	KV8419-20
22"	KV8419-22B	KV8419-22
24"	KV8419-24B	KV8419-24
26"	-	KV8419-26

### 8400RV Heavy Duty Full Extension - Anochrome Finish

Length	Bulk Item #	Length	Bulk Item #
10"	KV8400-10BRV	20"	KV8400-20BRV
12"	KV8400-12BRV	22"	KV8400-22BRV
14"	KV8400-14BRV	24"	KV8400-24BRV
16"	KV8400-16BRV	26"	KV8400-26BRV
18"	KV8400-18BRV	28"	KV8400-28BRV

### Mounting Brackets

Item #	Description	Box Qty
KV8403B	Rear Zinc Mounting Bracket	20
KV8403BBL	Rear Zinc Mounting Bracket	400
KV8404ANO	Front Zinc Mounting Bracket	20
KV8404ANOB	Front Zinc Mounting Bracket	100
KV8404ANOBBL	Front Zinc Mounting Bracket	400
KV8404BK	Front Black Mounting Bracket	20
KV8404ANOKIT	2 (8403) + 2 (8404) + Screws	1

A  
B  
C  
D  
E  
F  
G  
H  
I  
J  
K  
L  
M  
N  
O  
P  
Q  
R  
S  
T  
U  
V  
W  
X  
Y

**A KV 8450FM/8455FM MEDIUM-DUTY DRAWER SLIDES**

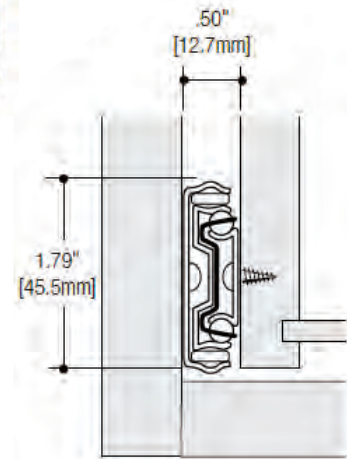
**B KV 8450FM/8455FM Soft-Close Drawer Slides**



- Patented Force Management™ (FM) soft-close technology
- 32mm hole pattern with direct access mounting
- Lever disconnect for easy drawer removal
- Non-handed design
- Recommended maximum drawer width 24"
- 8450FM: Full extension
- 8455FM: 1" Over travel
- Action: Telescopic movement on ball-bearings
- Load Rating: 8450FM: 100 lb. class
- Load Rating: 8455FM: 90 lb. class
- Height: 1.79" (45.5mm)
- Clearance: .50" + .03" - 0" on each side
- Finish: Anochrome (ANO), Ebony Black (EB)
- Bulk items packaged in full boxes of 10 pair without screws
- Polybag items packaged 1 pair per bag with screws



Soft-Close Mechanism



**8450FM Full Extension Soft-Close Drawer Slides**

Length	Anochrome Bulk Item #	Anochrome Polybag Item #	Ebony Black Bulk Item #
12"	KV8450FM-12B	KV8450FM-12	-
14"	KV8450FM-14B	KV8450FM-14	-
16"	KV8450FM-16B	KV8450FM-16	KV8450FM-16BKB
18"	KV8450FM-18B	KV8450FM-18	KV8450FM-18BKB
20"	KV8450FM-20B	KV8450FM-20	KV8450FM-20BKB
22"	KV8450FM-22B	KV8450FM-22	KV8450FM-22BKB
24"	KV8450FM-24B	KV8450FM-24	-
26"	KV8450FM-26B	KV8450FM-26	-
28"	KV8450FM-28B	KV8450FM-28	-

NOTE: 12" slide has 10.2" extension

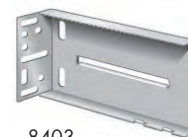
**8455FM 1" Overtravel Soft-Close Drawer Slides**

Length	Anochrome Bulk Item #	Anochrome Polybag Item #	Ebony Black Bulk Item #
16"	KV8455FM-16B	-	KV8455FM-16BKB
18"	KV8455FM-18B	-	KV8455FM-18BKB
20"	KV8455FM-20B	KV8455FM-20	-
22"	KV8455FM-22B	KV8455FM-22	KV8455FM-22BKB
24"	KV8455FM-24B	-	-
26"	KV8455FM-26B	-	-
28"	KV8455FM-28B	-	-

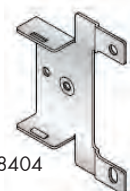
NOTE: 12" slide has 10.2" extension

**Mounting Brackets**

Item #	Description	Box Qty
KV8403B	Rear Zinc Mounting Bracket	20
KV8403BBL	Rear Zinc Mounting Bracket	400
KV8404ANO	Front Zinc Mounting Bracket	20
KV8404ANOB	Front Zinc Mounting Bracket	100
KV8404ANOBBL	Front Zinc Mounting Bracket	400
KV8404BK	Front Black Mounting Bracket	20
KV8404ANOKIT	2 (8403) + 2 (8404) + Screws	1



8403



8404

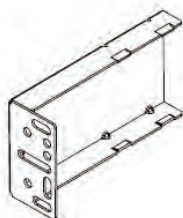
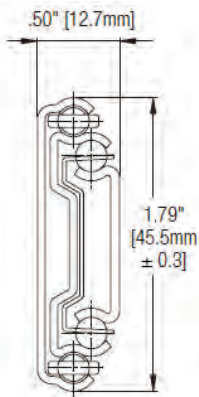
**KV 4200/4205 MEDIUM-DUTY DRAWER SLIDES**



**KV G-Slide 4200 Full Extension & 4205 1" Overtravel Drawer Slides**



- 32mm hole pattern
- Lever disconnect for easy drawer removal
- Hold-in detent
- Non-handed design
- Recommended maximum drawer width 24"
- 4200: Full extension
- 4205: 1" Over travel
- Mounting: Side
- Action: Telescopic movement on ball-bearings
- Load Rating: 4200: 100 lb. class
- Load Rating: 4205: 90 lb. class
- Height: 1.79" (45.5mm)
- Clearance: .50" + .03" - 0" on each side
- Finish: Zinc (ZC); Black (EB) special order
- Packaged in full boxes of 10 pair without screws



G-Slide 4200 Full Extension Slides Zinc Finish	
Length	Item #
10"	KVGS4200-10
12"	KVGS4200-12
14"	KVGS4200-14
16"	KVGS4200-16
18"	KVGS4200-18
20"	KVGS4200-20
22"	KVGS4200-22
24"	KVGS4200-24
26"	KVGS4200-26
28"	KVGS4200-28

G-Slide 4205 Overtravel Slides Zinc Finish	
Length	Item #
10"	KV4205-10
12"	KV4205-12
14"	KV4205-14
16"	KV4205-16
18"	KV4205-18
20"	KV4205-20
22"	KV4205-22
24"	KV4205-24
26"	KV4205-26
28"	KV4205-28

Mounting Brackets		
Item #	Description	Box Qty
KVGS4340RB	Rear Zinc Mounting Bracket	200

A  
B  
C  
D  
E  
F  
G  
H  
I  
J  
K  
L  
M  
N  
O  
P  
Q  
R  
S  
T  
U  
V  
W  
X  
Y

**A KV 4270 / 4260 MEDIUM-DUTY DRAWER SLIDES**

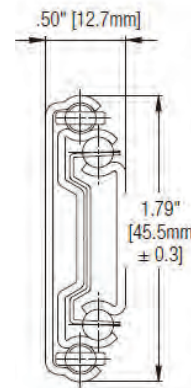
**B KV G-Slide 4270 Soft-Close Drawer Slides**



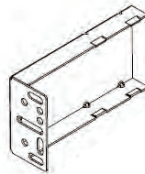
- Soft-close module
- 32mm hole pattern
- Lever disconnect for easy drawer removal
- Non-handed design
- Recommended maximum drawer width 24"
- Mounting: Side
- Action: Telescopic movement on ball-bearings
- Load Rating: 100 lb. class
- Height: 1.79" (45.5mm)
- Clearance: .50" + .03" - 0" on each side
- Finish: Zinc (ZC)
- Packaged in full boxes of 10 pair without screws



G-Slide 4270 Full Extension Slides	
Length	Item #
12"	KVGS4270-12
14"	KVGS4270-14
16"	KVGS4270-16
18"	KVGS4270-18
20"	KVGS4270-20
22"	KVGS4270-22
24"	KVGS4270-24
26"	KVGS4270-26
28"	KVGS4270-28
28"	KVGS4200-28



Mounting Brackets		
Item #	Description	Box Qty
KVGS4340RB	Rear Zinc Mounting Bracket	200



NOTE: 12" slide has an 8.4" extension and 14" slide has an 11.9" extension.

**P KV G-Slide 4260 Push-Open Drawer Slides**

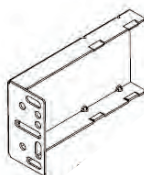


- Push-open feature holds a drawer or tray in the closed position until activated by a slight push
- 32mm hole pattern
- Lever disconnect for easy drawer removal
- Non-handed design
- Recommended maximum drawer width 24"
- Mounting: Side
- Action: Telescopic movement on ball-bearings
- Load Rating: 100 lb. class
- Height: 1.79" (45.5mm)
- Clearance: .50" + .03" - 0" on each side
- Finish: Zinc (ZC)
- Packaged in full boxes of 10 pair without screws



G-Slide 4260 Full Extension Slides	
Length	Item #
12"	KVGS4260-12
14"	KVGS4260-14
16"	KVGS4260-16
18"	KVGS4260-18
20"	KVGS4260-20
22"	KVGS4260-22
24"	KVGS4260-24
26"	KVGS4260-26
28"	KVGS4260-28

Mounting Brackets		
Item #	Description	Box Qty
KVGS4340RB	Rear Zinc Mounting Bracket	200



**KV 6500/6505 HEAVY-DUTY DRAWER SLIDES**

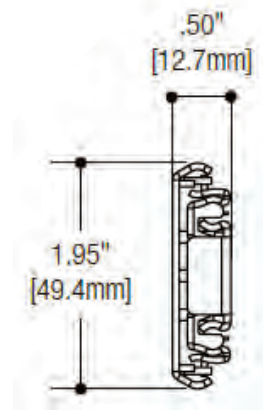


**KV 6500 Full Extension  
Drawer Slides**

- Lever disconnect for easy drawer removal
- Closed position hold-in detent
- Non-handed design
- Recommended maximum drawer width 30"
- Mounting: Side
- Action: Telescopic movement on ball-bearings

Length	Item #
12"	KV6500-12B
14"	KV6500-14B
16"	KV6500-16B
18"	KV6500-18B
20"	KV6500-20B
22"	KV6500-22B
24"	KV6500-24B
26"	KV6500-26B
28"	KV6500-28B

- Load Rating: 125 lb. class
- Height: 1.95" (49.4mm)
- Clearance: .50" + .03" - 0" on each side
- Finish: Zinc (ZC)
- Packaged in full boxes of 5 pair without screws

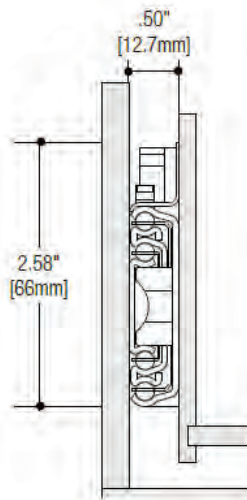


**KV 6505 Over-Travel  
Drawer Slides**

- 1" over travel for easy access to drawer contents
- Closed position hold-in detent
- Lever disconnect for easy drawer removal
- Recommended maximum drawer width 30"
- Mounting: Side
- Action: Telescopic movement on ball-bearings

Length	Item #
12"	KV6505-12B
14"	KV6505-14B
16"	KV6505-16B
18"	KV6505-18B
20"	KV6505-20B
22"	KV6505-22B
24"	KV6505-24B
26"	KV6505-26B
28"	KV6505-28B

- Load Rating: 125 lb. class
- Height: 2.58" (66mm)
- Clearance: .50" + .03" - 0" on each side
- Finish: Zinc (ZC)
- Packaged in full boxes of 5 pair without screws



A  
B  
C  
D  
E  
F  
G  
H  
I  
J  
K  
L  
M  
N  
O  
P  
Q  
R  
S  
T  
U  
V  
W  
X  
Y

A  
B  
C  
D  
E  
F  
G  
H  
I  
J  
K  
L  
M  
N  
O  
P  
Q  
R  
S  
T  
U  
V  
W  
X  
Y

**KV 8500/8505 HEAVY-DUTY DRAWER SLIDES**

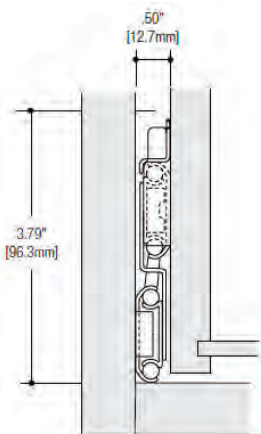


**KV 8500/8505 Heavy Duty File or Lateral Drawer Slides**



- 32mm hole pattern
- Non-handed quick disconnect drawer members
- Hold-in feature to prevent bounce back
- Recommended maximum drawer width: 8500: 36" | 8505: 30"
- 8500: Full extension drawer slide
- 8505: 1.25" over travel drawer slide
- Mounting: Side
- Action: Progressive movement on ball-bearings
- Load Rating: 150 lb. class
- Height: 3.79" (96.3mm) (includes quick disconnect rail)
- Clearance: .50" + .03" - 0" on each side
- Finish: Anochrome (ANO); Ebony Black (EB) also available
- Bulk items packaged 5 pair per box without screws
- Polybag items packaged 1 pair per bag with screws

8500 Full Extension Drawer Slides - Anochrome Finish		
Length	Anochrome Bulk Item #	Anochrome Polybag Item #
12"	KV8500-12X	KV8500-12
14"	KV8500-14X	KV8500-14
16"	KV8500-16X	KV8500-16
18"	KV8500-18X	KV8500-18
20"	KV8500-20X	KV8500-20
22"	KV8500-22X	KV8500-22
24"	KV8500-24X	KV8500-24
26"	KV8500-26X	KV8500-26
28"	KV8500-28X	KV8500-28
30"	KV8500-30X	KV8500-30



8505 Over-Travel Drawer Slides - Anochrome Finish		
Length	Anochrome Bulk Item #	Anochrome Polybag Item #
12"	KV8505-12X	KV8505-12
14"	KV8505-14X	KV8505-14
16"	KV8505-16X	KV8505-16
18"	KV8505-18X	KV8505-18
20"	KV8505-20X	KV8505-20
22"	KV8505-22X	KV8505-22
24"	KV8505-24X	KV8505-24
26"	KV8505-26X	KV8505-26
28"	KV8505-28X	KV8505-28
30"	KV8505-30X	KV8505-30

**KV 8520/8525 HEAVY-DUTY DRAWER SLIDES**



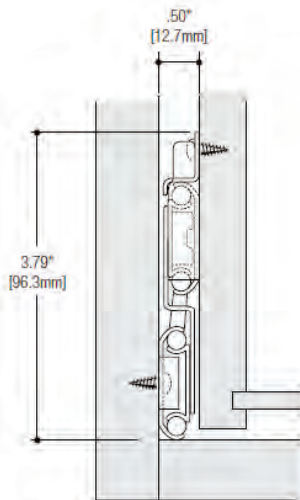
**KV 8520/8525 Extra Heavy-Duty File or Lateral Drawer Slides**



- 32mm hole pattern
- Non-handed quick disconnect drawer members
- Hold-in feature to prevent bounce back
- Recommended maximum drawer width:
  - 8520: 42"
  - 8525: 36"
- 8520: Full extension drawer slide
- 8525: 1.25" over travel drawer slide
- Mounting: Side
- Action: Progressive movement on ball-bearings
- Load Rating: 175 lb. class
- Height: 3.79" (96.3mm) (includes quick disconnect rail)
- Clearance: .50" + .03" - 0" on each side
- Finish: Anochrome (ANO)
- Polybag items packaged 1 pair per bag with screws

8520 Full Extension Drawer Slides	
Length	Polybag Item #
18"	KV8520-18
20"	KV8520-20

8525 Over-Travel Drawer Slides	
Length	Polybag Item #
16"	KV8525-16
18"	KV8525-18
20"	KV8525-20



A  
B  
C  
D  
E  
F  
G  
H  
I  
J  
K  
L  
M  
N  
O  
P  
Q  
R  
S  
T  
U  
V  
W  
X  
Y

**A KV 8600/8605 HEAVY-DUTY DRAWER SLIDES**

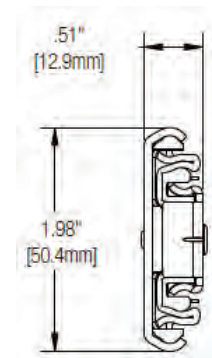
**B KV 8600 Heavy-Duty Full Extension Drawer Slides**



- C** • Butterfly lever disconnect
- D** • Non-handed design
- E** • Recommended maximum drawer width 36"
- F** • Mounting: Side
- G** • Action: Telescopic movement on ball-bearings
- H** • Height: 1.98" (50.4mm)
- I** • Clearance: .51" + .01" - 0" on each side
- J** • Finish: Zinc (ZC)
- K** • Packaged 5 pair per box without screws
- L** • Load Rating (based on application):



Length	Item #
12"	KV8600-12B
14"	KV8600-14B
16"	KV8600-16B
18"	KV8600-18B
20"	KV8600-20B
22"	KV8600-22B
24"	KV8600-24B
26"	KV8600-26B
28"	KV8600-28B



- M** **Load:** 150 lb.:
- Max. Drawer Width: 36"
  - Slides: 18"
  - Drawer Width: 36"
  - Cycles: 50,000 (center pull)
- N** **Load:** 200 lb.:
- Max. Drawer Width: 18"
  - Slides: 18"
  - Drawer Width: 18"
  - Cycles: 25,000 (center pull)

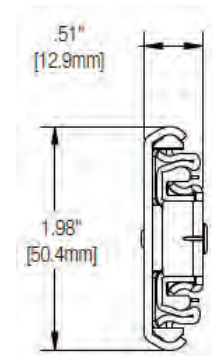
**O KV 8605 Heavy-Duty Over-Travel Drawer Slides**



- P** • Butterfly lever disconnect
- Q** • Non-handed design
- R** • Recommended maximum drawer width 36"
- S** • Action: Telescopic movement on ball-bearings
- T** • Height: 1.98" (50.4mm)
- U** • Clearance: .51" + .01" - 0" on each side
- V** • Finish: Zinc (ZC)
- W** • Packaged 5 pair per box without screws
- X** • Load Rating (based on application):



Length	Item #
12"	KV8605-12B
14"	KV8605-14B
16"	KV8605-16B
18"	KV8605-18B
20"	KV8605-20B
22"	KV8605-22B
24"	KV8605-24B
26"	KV8605-26B
28"	KV8605-28B



- Y** **Load:** 140 lb.:
- Max. Drawer Width: 36"
  - Slides: 18"
  - Drawer Width: 36"
  - Cycles: 50,000 (center pull)
- Z** **Load:** 190 lb.:
- Max. Drawer Width: 18"
  - Slides: 18"
  - Drawer Width: 18"
  - Cycles: 25,000 (center pull)



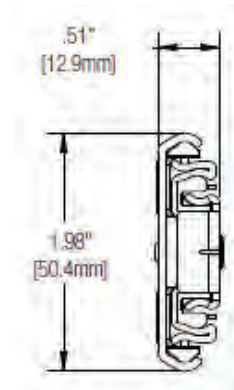
## KV 8650FM / 8655FM HEAVY-DUTY DRAWER SLIDES

### KV 8650FM Full Extension Soft-Close Drawer Slides

- Patented Force Management (FM) Soft-Close Technology
  - Butterfly lever disconnect
  - Non-handed design
  - Recommended maximum drawer width 36"
  - Mounting: Side
  - Action: Telescopic movement on ball-bearings
  - Load: 150 lb.
    - Max. Drawer Width: 36"
    - Slides: 18"
    - Drawer Width: 36"
    - Cycles: 50,000 (center pull)
  - Height: 1.98" (50.4mm)
  - Clearance: .51" + .01" - 0" on each side
  - Finish: Zinc (ZC)
  - Packaged 5 pair per box without screws
- NOTE: 14" slide has an 11" extension and 16" slide has a 15" extension.



Length	Item #
14"	KV8650FM-14B
16"	KV8650FM-16B
18"	KV8650FM-18B
20"	KV8650FM-20B
22"	KV8650FM-22B
24"	KV8650FM-24B
26"	KV8650FM-26B
28"	KV8650FM-28B

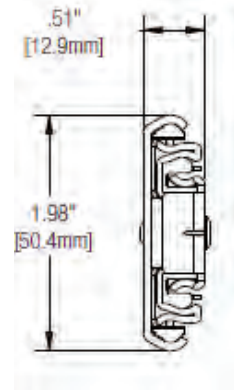


### KV 8655FM Heavy-Duty Soft-Close Over-Travel Drawer Slides

- Patented Force Management (FM) Soft-Close Technology
- 1" over travel
- Butterfly lever disconnect
- Non-handed design
- Recommended maximum drawer width 36"
- Mounting: Side
- Action: Telescopic movement on ball-bearings
- Load: 140 lb.
  - Max. Drawer Width: 36"
  - Slides: 18"
  - Drawer Width: 36"
  - Cycles: 50,000 (center pull)
- Height: 1.98" (50.4mm)
- Clearance: .51" + .01" - 0" on each side
- Finish: Zinc (ZC)
- Packaged 5 pair per box without screws



Length	Item #
18"	KV8655FM-18B
20"	KV8655FM-20B
22"	KV8655FM-22B
24"	KV8655FM-24B
26"	KV8655FM-26B
28"	KV8655FM-28B



A  
B  
C  
D  
E  
F  
G  
H  
I  
J  
K  
L  
M  
N  
O  
P  
Q  
R  
S  
T  
U  
V  
W  
X  
Y

**A KV 8810/8815 HEAVY-DUTY DRAWER SLIDES**

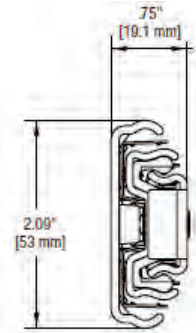
**B KV 8810 Heavy-Duty Full Extension  
C Drawer Slides**



- Non-handed design for easy installation
- Closed-position hold-in detent
- Butterfly lever release
- Recommended maximum drawer width 42"
- Mounting: Side
- Action: Telescopic movement on ball-bearings
- Load Rating: 200 lb. class; 100 lb. flat mount rating
- Height: 2.09" (53mm)
- Clearance: .75" + .03" - 0" on each side
- Finish: Zinc (ZC)
- Packaged 4 pair per box without screws



Length	Item #
10"	KV8810-10B
12"	KV8810-12B
14"	KV8810-14B
16"	KV8810-16B
18"	KV8810-18B
20"	KV8810-20B
22"	KV8810-22B
24"	KV8810-24B
26"	KV8810-26B
28"	KV8810-28B



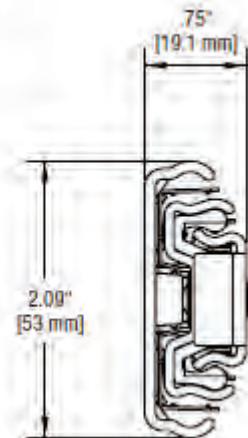
**O KV 8815 Heavy-Duty Over-Travel  
P Drawer Slides**



- Non-handed design for easy installation
- Ideal for large storage drawer applications
- 1" over travel allows for easy access to drawer contents
- Butterfly lever release
- Recommended maximum drawer width 42"
- Mounting: Side
- Action: Telescopic movement on ball-bearings
- Load Rating: 190 lb. class
- Height: 2.09" (53mm)
- Clearance: .75" + .03" - 0" on each side
- Finish: Zinc (ZC)
- Packaged 4 pair per box without screws



Length	Item #
12"	KV8815-12B
14"	KV8815-14B
16"	KV8815-16B
18"	KV8815-18B
20"	KV8815-20B
22"	KV8815-22B
24"	KV8815-24B
26"	KV8815-26B
28"	KV8815-28B

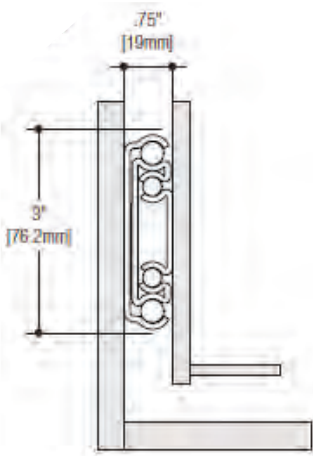


## KV 8900 HEAVY-DUTY DRAWER SLIDES



### KV 8900 Extra Heavy-Duty Full Extension Drawer Slides

- Heavy-Duty stops are designed to withstand rough use
- Non-handed design for easy installation
- Full extension travel
- Non-disconnect
- Mounting: Side
- Action: Telescopic movement on ball-bearings
- Load Rating: 100–500 lb. class depending on application
- 100 lb. flat mount rating
- Height: 3" (76.2mm)
- Clearance: .75" + .03" - 0" on each side
- Finish: Zinc (ZC)
- Bulk items 40" - 60" sold 1 pair per box
- Polybag items 12" - 36" sold 1 pair per bag



8900 Polybag Slides	
Length	Polybag Item #
12"	KV8900-12
14"	KV8900-14
16"	KV8900-16
18"	KV8900-18
20"	KV8900-20
22"	KV8900-22
24"	KV8900-24

8900 Polybag Slides	
Length	Polybag Item #
26"	KV8900-26
28"	KV8900-28
30"	KV8900-30
32"	KV8900-32
34"	KV8900-34
36"	KV8900-36

8900 Bulk Slides	
Length	Bulk Item #
40"	KV8900-40B
42"	KV8900-42B
44"	KV8900-44B
48"	KV8900-48B
60"	KV8900-60B

Load Rating Chart		
Load Rating	Test Condition	Open/Close Cycle Tested
500 lb.	18" slide in 18" width drawer	10,000
400 lb.	18" slide in 42" width drawer	30,000
300 lb.	18" slide in 36" width drawer	75,000
100 lb. flat load	18" slide in 32" width drawer	10,000

A  
B  
C  
D  
E  
F  
G  
H  
I  
J  
K  
L  
M  
N  
O  
P  
Q  
R  
S  
T  
U  
V  
W  
X  
Y

**A KV 8908 HEAVY-DUTY DRAWER SLIDES**

B  
C  
D  
E  
F  
G  
H  
I  
J  
K  
L  
M  
N  
O  
P  
Q  
R  
S  
T  
U  
V  
W  
X  
Y



**KV 8908 Extra Heavy-Duty Full Extension Locking Drawer Slides**

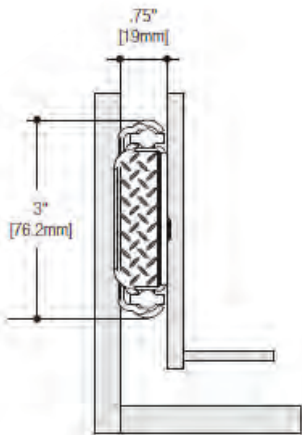


- Automatic lock-in/lock-out feature
- Intuitive uni-directional release/closure
- Removable, ergonomic handle
- Spring-activated latches for vertical and horizontal mounting
- Non-disconnect
- 8908: Extra Heavy-Duty full extension lock-in/lock-out slide
- Mounting: Side or flat mount
- Action: Telescopic movement on ball-bearings
- Load Rating: 100–500 lb. class depending on application
  - 100 lb. flat mount rating
- Height: 3" (76.2mm)
- Clearance: .75" + .03" - 0" on each side

**Packaging Info:**

- 12" - 20": 8 slides per box without screws
- 22" - 28": 6 slides per box without screws
- 30" - 36": 4 slides per carton without screws
- 40" - 60": 2 slides per box without screws
- Each slide is poly-bagged with instructions included

NOTE: Each item is sold per slide, not the pair.



Length	Item #
12"	KV8908-12
14"	KV8908-14
16"	KV8908-16
18"	KV8908-18
20"	KV8908-20
22"	KV8908-22
24"	KV8908-24
26"	KV8908-26
28"	KV8908-28

Length	Item #
30"	KV8908-30
32"	KV8908-32
36"	KV8908-36
40"	KV8908-40
42"	KV8908-42
44"	KV8908-44
48"	KV8908-48
60"	KV8908-60

**KV KEYBOARD SLIDES**



**8150 & 8157 3/4 Extension Variable Height Keyboard Slides**



- Mounting brackets adjust to seven different heights and can be reversed for in-board/out-board mounting
- Hold-out feature keeps drawer securely in the open position
- Hold-in feature prevents keyboard tray bounce back
- 8150: 3/4 extension keyboard slide
- 8157: 3/4 extension keyboard slide with shelf tabs
- Mounting: Under surface
- Load Rating: 75 lb. class
- Height: Overall drop height adjusts from 2.34" (59.4mm) to 3.68" (93.5mm) in 7/32" increments
- Clearance: 1.62" (41mm) per side out-board; .62 (15.7mm) per side in-board
- Finish: Anochrome (ANO), Ebony Black (EB)
- Packaged 1 pair per bag with screws

8150 Slides		
Length	Anochrome Item #	Black Item #
12"	KV8150-12	KV8150-12BK
14"	KV8150-14	KV8150-14BK
16"	KV8150-16	KV8150-16BK
18"	KV8150-18	KV8150-18BK
20"	KV8150-20	KV8150-20BK

8157 Slides		
Length	Anochrome Item #	Black Item #
14"	KV8157-14	KV8157-14BK
16"	KV8157-16	KV8157-16BK
18"	KV8157-18	KV8157-18BK
20"	KV8157-20	KV8157-20BK

**8250 3/4 Extension Variable Height Pencil or Center Drawer Slides**



- Mounting brackets adjust to seven heights and can be reversed for in-board and out-board mounting
- Anti-rebound stay-close design holds pencil drawer in closed position yet allows for easy opening
- Mounting: Under surface
- Load Rating: 75 lb. class
- Height: Overall drop height 2.34" [59.4mm] to 3.68" [93.5mm] in 7/32" increments
- Clearance: 1.62" [41mm] per side out-board; .53" [13.5mm] per side in-board
- Finish: Anochrome (ANO); Ebony Black (EB) special order
- Packaged 1 pair per bag with screws

Length	Item #
12"	KV8250-12
14"	KV8250-14
16"	KV8250-16
18"	KV8250-18
20"	KV8250-20
22"	KV8250-22

A  
B  
C  
D  
E  
F  
G  
H  
I  
J  
K  
L  
M  
N  
O  
P  
Q  
R  
S  
T  
U  
V  
W  
X  
Y

**A KV HINGED DOOR SLIDES**

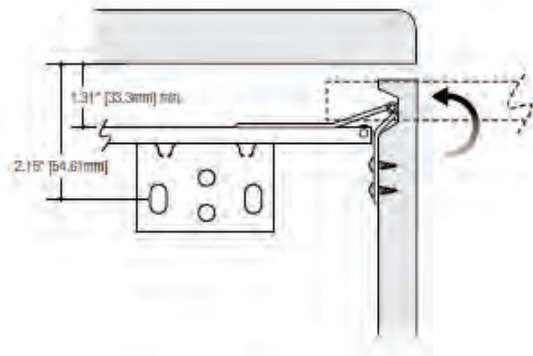
**B KV 8050 Hinged Door Slides**



- One-piece, non-marring roller
- Permanently staked hinge pin
- Mounting: Under surface
- Action: Ball-bearing movement
- Load Rating: 20 lb. class
- Clearance: 1.31" [33.3mm] minimum
- Finish: Anochrome (ANO)
- Polybag items packaged 1 pair per bag with screws



Length	Polybag Item #
12"	KV8050-12
14"	KV8050-14
16"	KV8050-16
18"	KV8050-18
20"	KV8050-20
22"	KV8050-22



Search for product or scan a barcode...



Shopping Cart  
\$0.00

Shop By Category

Home

**CLAMPS**  
**WITHOUT COMPROMISE**

**NOW HIRING!**

Apply at:  
[wurthlac.com/careers](http://wurthlac.com/careers)

**SUPPLY CHAIN CHALLENGES?**  
We have you COVERED.

[LEARN MORE](#)

**GOVERNMENT**

We are a SAM Approved U.S. Government Vendor

**CATALOGS & LITERATURE**

Digital versions to download

**MACHINERY**

Explore our full line of woodworking machinery

## KV 8000 & 6400 SPECIALTY DRAWER SLIDES

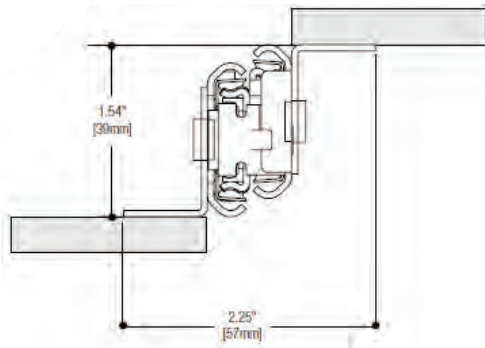
### KV 8000 Over-Travel Undermount Pantry Drawer Slides



- Removable mounting brackets
- Hold-in detent
- Key-hole style mounting holes
- 1" over travel
- Mounting: Bottom mount
- Action: Telescopic movement on ball-bearings
- Load Rating: 130 lb. class
- Height: 1.54" (39mm) / 2.25" (57mm) (includes brackets)
- Clearance: 3/4" (slide only); 2-1/4" (with brackets)
- Finish: Anochrome (ANO)
- Packaged 1 pair per bag with screws



Length	Item #
12"	KV8000-12
14"	KV8000-14
16"	KV8000-16
18"	KV8000-18
20"	KV8000-20
22"	KV8000-22
24"	KV8000-24
26"	KV8000-26
28"	KV8000-28



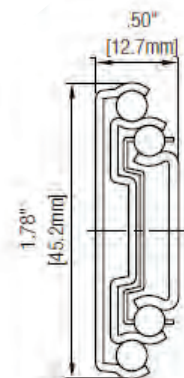
### KV 6400 Stainless Steel Drawer Slides



- 304-Grade stainless steel
- Ideal for use in wet or corrosive environments
- USDA H-1 approved grease
- Lever disconnect
- Recommended drawer width 24"
- Mounting: Side
- Action: Telescopic movement on ball-bearings
- Load Rating: 100 lb. class
- Height: 1.78" [45.2mm]
- Clearance: .50" + .03" - 0" on each side
- Finish: Stainless Steel (SS)
- Packaged in full boxes of 10 pair without screws



Length	Item #
10"	KV6400-10
12"	KV6400-12
14"	KV6400-14
16"	KV6400-16
18"	KV6400-18
20"	KV6400-20
22"	KV6400-22
24"	KV6400-24
26"	KV6400-26
28"	KV6400-28



A  
B  
C  
D  
E  
F  
G  
H  
I  
J  
K  
L  
M  
N  
O  
P  
Q  
R  
S  
T  
U  
V  
W  
X  
Y

**A SUGATSUNE STAINLESS STEEL BALL BEARING DRAWER SLIDES**

B  
C  
D  
E  
F  
G  
H  
I  
J  
K  
L  
M  
N  
O  
P  
Q  
R  
S  
T  
U  
V  
W  
X  
Y



**Sugatsune ESR-3813 Series Stainless Steel Drawer Slides**



- Full extension
- Front disconnect
- Positive stop
- Hold-in detent
- Non-handed
- Mount with M4 or #8 Binding, Pan, or Truss head screws
- Screws are not included

Item #	Size	Load Rating Per Pair	Material	Box Qty
SGESR-3813-8	8"	98 Lbs.	304 Stainless Steel	10 Pair
SGESR-3813-10	10"	92 Lbs.	304 Stainless Steel	10 Pair
SGESR-3813-12	12"	88 Lbs.	304 Stainless Steel	10 Pair
SGESR-3813-14	14"	84 Lbs.	304 Stainless Steel	10 Pair
SGESR-3813-16	16"	79 Lbs.	304 Stainless Steel	10 Pair
SGESR-3813-18	18"	75 Lbs.	304 Stainless Steel	10 Pair
SGESR-3813-20	20"	73 Lbs.	304 Stainless Steel	10 Pair
SGESR-3813-22	22"	68 Lbs.	304 Stainless Steel	10 Pair
SGESR-3813-24	24"	64 Lbs.	304 Stainless Steel	10 Pair

**Sugatsune ESR-DC4513 Series Stainless Steel Drawer Slides**



- Full extension
- Front disconnect
- Positive stop
- Hold-in detent
- Non-handed
- Mount with M4 or #8 Binding, Pan, or Truss head screws
- Screws are not included



Item #	Size	Load Rating Per Pair	Material	Box Qty
SGESR-DC4513-10	10"	115 Lbs.	304 Stainless Steel	10 Pair
SGESR-DC4513-12	12"	111 Lbs.	304 Stainless Steel	10 Pair
SGESR-DC4513-14	14"	108 Lbs.	304 Stainless Steel	10 Pair
SGESR-DC4513-16	16"	104 Lbs.	304 Stainless Steel	10 Pair
SGESR-DC4513-18	18"	100 Lbs.	304 Stainless Steel	10 Pair
SGESR-DC4513-20	20"	97 Lbs.	304 Stainless Steel	10 Pair
SGESR-DC4513-22	22"	95 Lbs.	304 Stainless Steel	10 Pair
SGESR-DC4513-24	24"	92 Lbs.	304 Stainless Steel	10 Pair
SGESR-DC4513-26	26"	90 Lbs.	304 Stainless Steel	10 Pair
SGESR-DC4513-28	28"	87 Lbs.	304 Stainless Steel	10 Pair



**BALL BEARING DRAWER SLIDES W/SOFT-CLOSE**



**Sugatsune ESR-SC4513 Series Stainless Steel Ball Bearing Full Extension Slides w/Soft-Close**



- Soft close feature for smooth, silent movement
- Stainless steel runners and ball bearings
- Full extension
- Front disconnect
- Positive stop
- Hold-in detent
- Sold in pairs
- Mount with M4 or #8 Binding, Pan, or Truss head screws
- Screws are not included

Item #	Size	Load Rating Per Pair	Material	Sold In	Box Qty
SGESR-SC4513-16	16"	82 Lbs.	304 Stainless Steel	Pair	10
SGESR-SC4513-18	18"	79 Lbs.	304 Stainless Steel	Pair	10
SGESR-SC4513-20	20"	77 Lbs.	304 Stainless Steel	Pair	10
SGESR-SC4513-22	22"	75 Lbs.	304 Stainless Steel	Pair	10
SGESR-SC4513-24	24"	73 Lbs.	304 Stainless Steel	Pair	10
SGESR-SC4513-26	26"	70 Lbs.	304 Stainless Steel	Pair	10
SGESR-SC4513-28	28"	68 Lbs.	304 Stainless Steel	Pair	10



**100 Lb Ball Bearing Full Extension Drawer Slides w/Soft Close**



- Side mount ball bearing slide with soft close function - ultra smooth gliding motion with high stability and durability
- 50,000 life cycles under correct installation and normal usage
- Side Space: 13mm (+0.5mm/-0.3mm)
- Height: 45.6mm (1.80")
- Max. Loading: 45kg (100lb)
- Mount: Side-mount type
- Disconnects: Disconnects with release lever
- Material: cold rolled steel

Length	Item #	Box Qty
12"	KNGBBSFT-12B	10
14"	KNGBBSFT-14B	10
16"	KNGBBSFT-16B	10
18"	KNGBBSFT-18B	10

Length	Item #	Box Qty
20"	KNGBBSFT-20B	10
22"	KNGBBSFT-22B	10
24"	KNGBBSFT-24B	10



Brackets (Sold Separately)			
Item #	Description	Sold In	Box Qty
KNGBB-RB	Rear Mounting Bracket	Each	60

A  
B  
C  
D  
E  
F  
G  
H  
I  
J  
K  
L  
M  
N  
O  
P  
Q  
R  
S  
T  
U  
V  
W  
X  
Y

**A PRO 500 SERIES UNDERMOUNT DRAWER SLIDES**



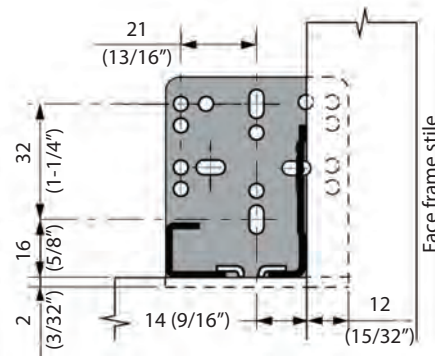
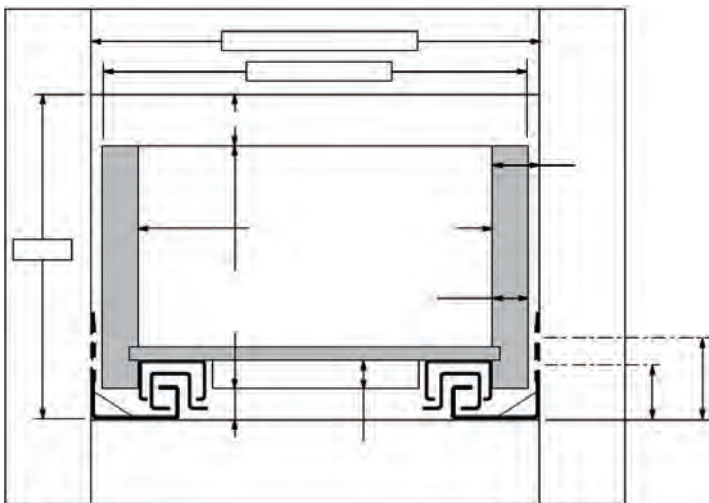
Includes: Slides, front clips and rear sockets.

**PRO 500 Series 75 lb. Full Extension Concealed Undermount Drawer Slides**

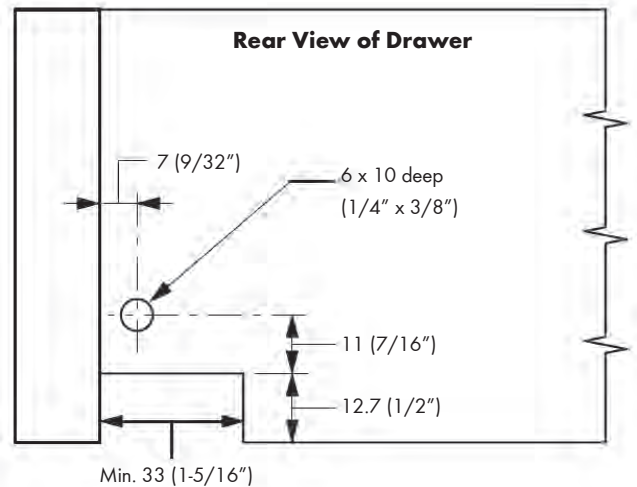


- Type: Soft-Close, Full Extension Concealed Undermount Slides
- Weight Rating: 75 lbs.
- Material: Cold Rolled Steel
- Hole Pattern: 32mm
- Finish: Zinc
- Industry Rated: BHMA, KCMA, BIFMA, ANSI
- Front roller allows for smooth, quiet operation and dramatically reduces deflection when fully extended
- Front clip has a three screw mounting design to allow attachment to front and side of drawer. An optimal fourth hole can be used to attach to drawer bottom when needed
- Soft-close activated at 2 inches
- One item number includes everything (slides, front clips and rear sockets)
- Slotted mounting holes for depth adjustment, ideal for inset applications

Item #	Size	Box Qty
PRO500-12B	12"	6
PRO500-15B	15"	6
PRO500-18B	18"	6
PRO500-21B	21"	6



Use #8 pan head for rear bracket.



Use Euro screw or #8 flat head screw for cabinet member installation.

Outside Drawer Dimension					
For drawer side thickness	16 (5/8")	15	14	13	12 (1/2")
Deduct from inside cabinet width	10 (3/8")	13	14	16	18 (23/32")

NOTE: Due to material thickness variance, it is best to work from inside of drawer dimension.

**PRO ECO UNDERMOUNT DRAWER SLIDES**



**PRO ECO Series, 75lb Undermount Full Extension Soft-Closing Drawer Slides**



- Weight Rating: 75 lbs.
- Type: Soft Close Full Extension Undermount Slides
- For 1/2" & 5/8" drawers
- Pattern: 32mm
- Mounting: Undermount
- Material: Cold Rolled Steel
- Smooth and silent soft close
- Finish: Bright Zinc

Item #	Length	Box Qty
PROECOUM-12B	12"	6 Pair
PROECOUM-15B	15"	6 Pair
PROECOUM-18B	18"	6 Pair
PROECOUM-21B	21"	6 Pair



**PRO ECO Locking Devices, 6-Way Adjustable**

- Designed for PRO ECO Series Undermount Drawer Slides
- 6-way adjustable

Item #	Description
PROECOUM-FLD	Left & Right Locking Devices



**PRO ECO Rear Mounting Brackets**

- Designed for PRO ECO Series Undermount Drawer Slides

Item #	Description
PROECOUM-RB	Rear Mounting Brackets

A  
B  
C  
D  
**E**  
F  
G  
H  
I  
J  
K  
L  
M  
N  
O  
P  
Q  
R  
S  
T  
U  
V  
W  
X  
Y

A  
B  
C  
D  
E  
F  
G  
H  
I  
J  
K  
L  
M  
N  
O  
P  
Q  
R  
S  
T  
U  
V  
W  
X  
Y

**PRO 600 SERIES UNDERMOUNT DRAWER SLIDES**



**PRO 600 & 634 Series  
100lb. Undermount, Full Extension  
with Optional 2-D & 3-D Adjustment Clips**



- Full extension soft-close undermount drawer slides
- Slotted mounting holes for depth adjustment, ideal for inset applications  
4-way and 6-way adjustment front locking devices available
- 2D Adjustment: Up/Down 0-3mm, Side-to-Side +/- 1.5mm
- 3D Adjustment: Up/Down 0-3mm, Side-to-Side +/- 1.5mm, Depth 0-3.5mm
- Slides made from cold rolled steel
- 32mm hole pattern
- Zinc finish
- BHMA, KCMA, & BIFMA rated
- 100lb. load rating

**TESTED OVER  
100,000 CYCLES  
TWICE THE INDUSTRY  
STANDARD!**

5/8" Material Thickness Item #	3/4" Material Thickness Item #	Length	Box Qty
PRO600-09	PRO634-09B	9"	6
PRO600-12	PRO634-12B	12"	6
PRO600-15	PRO634-15B	15"	6
PRO600-18	PRO634-18B	18"	6
PRO600-21	PRO634-21B	21"	6



1



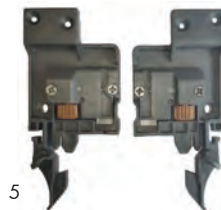
2



3



4



5



6

**PRO600 Accessories**

Item #	Description	Box Qty
1	PRO600-FCLIP2D Left/Right 2-D Front Locking Devices	100
2	PRO600-FCLIP2D-NF Left/Right 2-D Front Locking Devices - No Flange	100
3	PRO600-FCLIP3D Left/Right 3-D Front Locking Devices	100
4	PRO600-FCLIP3D-NF Left/Right 3-D Front Locking Devices - No Flange	100
5	PRO600-FCLIPNARROW Narrow Front Locking Devices	100
6	PRO600-RB Rear Metal Face Frame Bracket	200

**PRO 600 HEAVY DUTY UNDERMOUNT DRAWER SLIDES**



**PRO 600 Heavy Duty Undermount Drawer Slides**



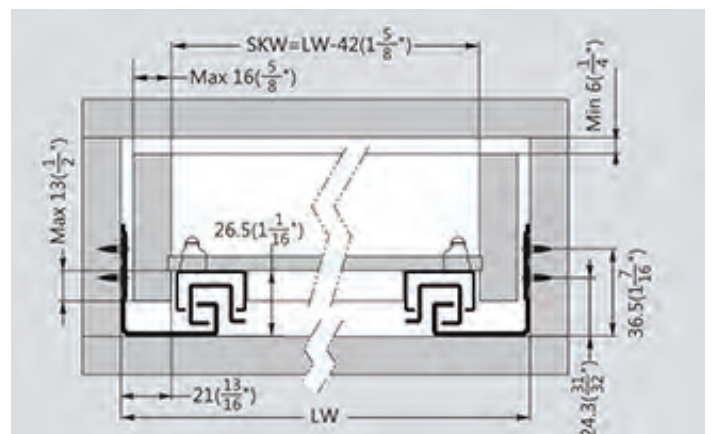
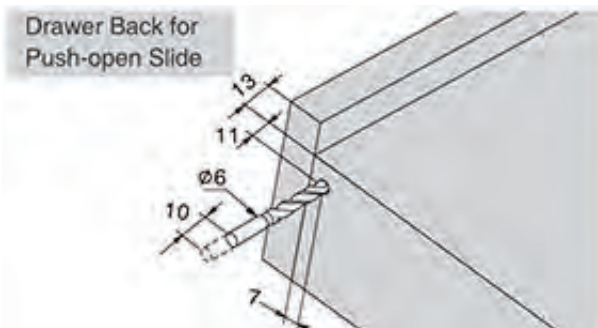
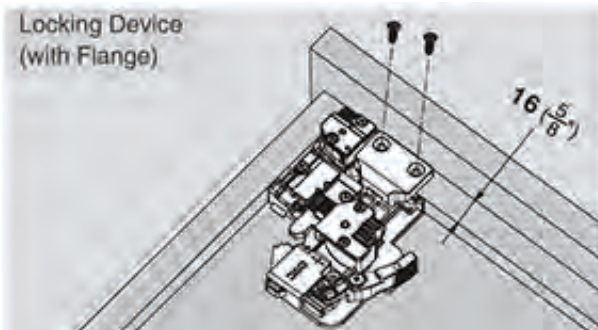
- 150 lb load capacity
- 6-way front clips included with drawer slides
- Available in 3 different lengths
- ANSI/KCMA/BIFMA certified
- Elongated holes for easy installation adjustments
- Bottom roller on cabinet member supports smooth and quiet movement

**3-D Front Locking Device**



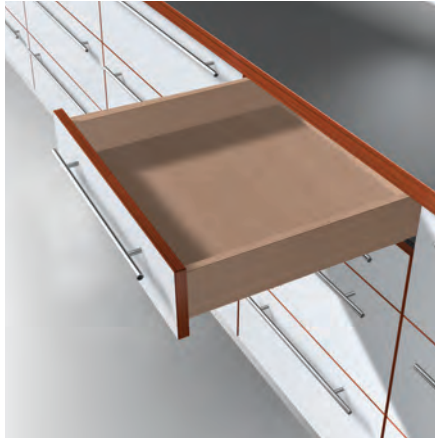
1. Side: +1.5mm
2. Up & Down: 0-3mm
3. Depth: 0-3.5mm

Item #	Description	Full Box Qty
PRO600-24HD	24" Heavy Duty PRO 600 Undermount Slide w/Front Clips	3
PRO600-27HD	27" Heavy Duty PRO 600 Undermount Slide w/Front Clips	3
PRO600-30HD	30" Heavy Duty PRO 600 Undermount Slide w/Front Clips	3



A  
B  
C  
D  
E  
F  
G  
H  
I  
J  
K  
L  
M  
N  
O  
P  
Q  
R  
S  
T  
U  
V  
W  
X  
Y

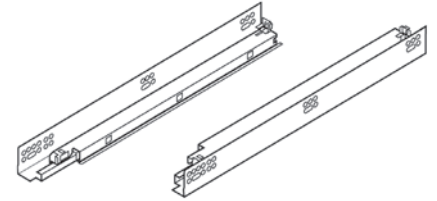
## BLUM TANDEM UNDERMOUNT DRAWER SLIDES



### TANDEM plus BLUMOTION 563H/563F Series



- Four-dimensional adjustment
- Elongated holes for depth adjustment
- Bottom mount holes for 15", 18", and 21" slides
- 100 lb static/90 lb dynamic load capacity
- Full extension concealed runners
- For face frame or frameless cabinets
- BLUMOTION soft-closing
- TANDEM smooth running action
- Available in 9" to 21" lengths
- Made in the USA



563H 1/2" (13mm) to 5/8" (16mm) Drawer Thickness		
Item #	Length	Box Qty
B563H2290B	9"	6
B563H3050B	12"	6
B563H3810B	15"	6
B563H4570B	18"	6
B563H5330B	21"	6

563F 5/8" (16mm) to 3/4" (19mm) Drawer Thickness		
Item #	Length	Box Qty
B563F2290B10	9"	6
B563F3050B	12"	6
B563F3810B	15"	6
B563F4570B	18"	6
B563F5330B	21"	6



### Standard Locking Devices with Side-to-Side Adjustment

- One right and one left required per drawer
- Captive right and self-aligning left device
- Self-adjusting drawer length tolerance
- Steel base with synthetic, spring-loaded release levers
- Minimum inside drawer width 6-11/16" (170mm)
- Height adjustment +1/8" (3mm)
- Side-to-side adjustment +/- 1/16" (1.5mm)

Item #	Description	Box Qty
BT51.1901R	Right Front Locking Device	100
BT51.1901L	Left Front Locking Device	100



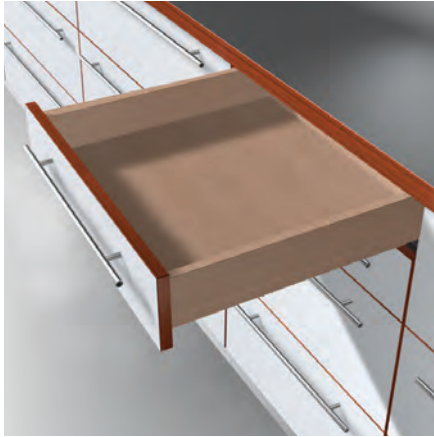
### Rear Mounting Bracket for Face Frame Cabinets

- For use when installing TANDEM in face frame cabinets
- Not necessary for frameless cabinet installation
- Two required per drawer
- Zinc-coated steel

Item #	Box Qty
B295.3750.02	100

## BLUM TANDEM UNDERMOUNT DRAWER SLIDES

A  
B  
C  
D  
**E**  
F  
G  
H  
I  
J  
K  
L  
M  
N  
O  
P  
Q  
R  
S  
T  
U  
V  
W  
X  
Y



### TANDEM plus BLUMOTION 563. Series

- Four-dimensional adjustment
- Elongated holes for depth adjustment
- Bottom mount holes
- 100 lb static/90 lb dynamic load capacity
- Full extension concealed runners
- Frameless or blocked-out face frame cabinets
- BLUMOTION soft closing
- TANDEM smooth running action
- Available in 18" and 21" lengths
- 13mm (1/2") to 16mm (5/8") drawer thickness
- Made in the USA



Item #	Length	Box Qty
B563.4570B	18"	6
B563.5330B	21"	6

NOTE: For 563. series runners, rear brackets and sockets cannot be used. Cabinet sides must be blocked-out flush with the inside of the frame.



### Standard Locking Devices with Side-to-Side Adjustment

- One right and one left required per drawer
- Captive right and self-aligning left device
- Self-adjusting drawer length tolerance
- Steel base with synthetic, spring-loaded release levers
- Minimum inside drawer width 6-11/16" (170mm)
- Height adjustment +1/8" (3mm)
- Side-to-side adjustment +/- 1/16" (1.5mm)

Item #	Description	Box Qty
BT51.1901R	Right Front Locking Device	100
BT51.1901L	Left Front Locking Device	100

**A BLUM TANDEM FRONT LOCKING DEVICES**

B  
C  
D  
E  
F  
G  
H  
I  
J  
K  
L  
M  
N  
O  
P  
Q  
R  
S  
T  
U  
V  
W  
X  
Y



**Standard Locking Devices with Side-to-Side Adjustment**



- One right and one left required per drawer
- Captive right and self-aligning left device
- Steel base with synthetic, spring-loaded release levers
- Minimum inside drawer width 6-11/16" (170mm)
- Side-to-side adjustment +/- 1/16" (1.5mm)
- Self-adjusting drawer length tolerance
- Height adjustment +1/8" (3mm)

Item #	Description	Box Qty
BT51.1901R	Right Front Locking Device	100
BT51.1901L	Left Front Locking Device	100



**Vertical Mount Locking Devices with Side-to-Side Adjustment**

- One right and one left required per drawer
- Vertical mount locking device used to minimize sub-front splitting
- Captive right device and self-aligning left device
- Steel base with synthetic, spring-loaded release levers
- Minimum inside drawer width 6-11/16" (170mm)
- Side-to-side adjustment +/- 1/16" (1.5mm)
- Minimum sub-front thickness 5/8" (16mm)
- Designed for 1/2" (13mm) drawer bottom recess
- Self-adjusting drawer length tolerance
- Height adjustment +1/8" (3mm)

Item #	Description	Box Qty
BT51.1901.20R	Right Front Locking Device	100
BT51.1901.20L	Left Front Locking Device	100



**Depth Adjustable Locking Devices with Side-to-Side Adjustment**

- One right and one left required per drawer
- Captive right device and self-aligning left device
- Steel base with synthetic, spring-loaded release levers
- Minimum inside drawer width 6-11/16" (170mm)
- Side-to-side adjustment +/- 1/16" (1.5mm)
- Depth adjustment +3/32" (2.5mm), preset at 0
- Minimum sub-front thickness 1/2" (13mm)
- Designed for 1/2" (13mm) drawer bottom recess
- Integrated 1/8" (3mm) distance bumper for inset or overlay SERVO-DRIVE applications
- Self-adjusting drawer length tolerance
- Height adjustment +1/8" (3mm)

Item #	Description	Box Qty
BT51.1901PSR	Right Front Locking Device	100
BT51.1901PSL	Left Front Locking Device	100



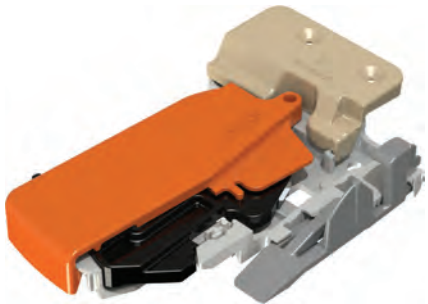
## BLUM TANDEM FRONT LOCKING DEVICES



### Standard Locking Devices without Side-to-Side Adjustment

- One right and one left required per drawer
- For use with standard applications
- Captive right device and self-aligning left device
- Self-adjusting drawer length tolerance
- Zinc die-cast with synthetic, spring-loaded release levers
- Minimum inside drawer width 4-7/8" (124mm)
- Height adjustment +1/8" (3mm)

Item #	Description	Box Qty
BT51.1801R	Right Front Locking Device	300
BT51.1801L	Left Front Locking Device	300



### Vertical Mount Locking Devices without Side-to-Side Adjustment

- Vertical mount locking device used to minimize sub-front splitting
- Captive right device and self-aligning left device
- Self-adjusting drawer length tolerance
- Zinc die-cast with synthetic, spring-loaded release levers
- Minimum inside drawer width 4-7/8" (124mm)
- Height adjustment +1/8" (3mm)
- Minimum sub-front thickness 5/8" (16mm)
- Designed for 1/2" (13mm) drawer bottom recess

Item #	Description	Box Qty
BT51.1801.20R	Right Front Locking Device	300
BT51.1801.20L	Left Front Locking Device	300



### Narrow Drawer Locking Devices

- One right and one left required per drawer
- For use with narrow drawers
- Maximum dynamic load capacity 25 lb
- Captive right device and self-aligning left device
- Self-adjusting drawer length tolerance
- Vertical mount, two-piece nylon
- Minimum inside drawer width 3-3/4" (95mm)
- Height adjustment +1/8" (3mm)
- Minimum sub-front thickness 5/8" (16mm)
- Designed for 1/2" (13mm) drawer bottom recess

Item #	Description	Box Qty
BT51.0801.20R	Right Front Locking Device	100
BT51.0801.20L	Left Front Locking Device	100

**A BLUM TANDEM REAR ATTACHMENT OPTIONS**

B  
C  
D  
E  
F  
G  
H  
I  
J  
K  
L  
M  
N  
O  
P  
Q  
R  
S  
T  
U  
V  
W  
X  
Y



**Screw-on Bracket**



- Two required per drawer
- For TANDEM 563 H/F series runners only
- Lateral self-alignment 1/8" (3mm)
- Non-handed, one-piece stamped steel design, zinc-coated
- Use at least three #6 wood screws
- Not for use with 9" runners

Item #	Box Qty
B295.3750.02	100



**Narrow Screw-On Bracket**

- Two required per drawer
- For applications with side recess space limitations (end panel)
- Maximum dynamic load capacity 45 lb
- Lateral self-alignment 1/8" (3mm)
- Non-handed, one-piece stamped steel design, zinc-coated
- Maximum inside cabinet depth is 19/32" (15mm) less than B295.3750.02 allows
- Use at least three #6 wood screws
- Not for use with 9" runners

Item #	Box Qty
B295.3550	100



**Plug-in Socket**

- Two required per drawer
- For TANDEM 563 H/F series runners only
- Lateral self-alignment feature
- Non-handed, two-piece design
- Synthetic, natural color
- Non-detachable 5/16" (8mm) dowels, 3/8" (9.5mm) long
- (1/4") minimum back panel thickness
- Use at least two #6 flat head wood screws
- Not for use with 9" runners

Item #	Box Qty
B295.6410	125

**BLUM TANDEM REAR ATTACHMENT OPTIONS**



**Screw-on Socket**

- Two required per drawer
- For TANDEM 563 H/F series runners only
- Lateral self-alignment
- Non-handed, two-piece design
- Synthetic, natural color
- Use two #6 flat head wood screws
- Not for use with 9" runners

Item #	Box Qty
B295.6400	125



**Screw-on Socket for 9" TANDEM plus BLUMOTION Runners**

- For TANDEM 563 H/F series 9" runners only
- For use only when installing 9" runners in face frame cabinets
- For inside cabinet depths 10-15/32" (266mm) to 11-3/32" (282mm)
- Minimum opening width 6-5/32" (156mm)
- Lateral self-alignment
- Non-handed, one piece design
- Synthetic, natural color
- Use at least three #6 wood screws

Item #	Box Qty
B295.3700.21	100



**Screw-on Socket for 9" TANDEM plus BLUMOTION Runners**

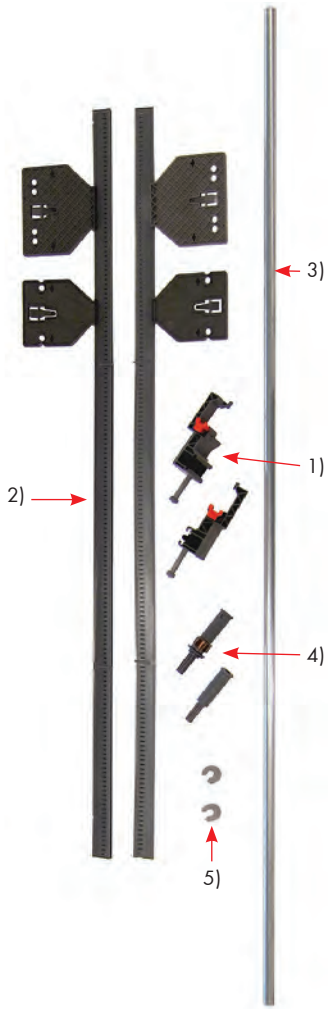
- For TANDEM 563 H/F series 9" runners only
- For use only when installing 9" runners in face frame cabinets
- For inside cabinet depths 11-5/32" (283mm) to 11-25/32" (299mm)
- Minimum opening width 6-5/32" (156mm)
- Lateral self-alignment
- Non-handed, one piece design
- Synthetic, natural color
- Use at least three #6 wood screws

Item #	Box Qty
B295.3700.22	100

A  
B  
C  
D  
E  
F  
G  
H  
I  
J  
K  
L  
M  
N  
O  
P  
Q  
R  
S  
T  
U  
V  
W  
X  
Y

**A BLUM TANDEM UNDERMOUNT DRAWER SLIDES**

B  
C  
D  
E  
F  
G  
H  
I  
J  
K  
L  
M  
N  
O  
P  
Q  
R  
S  
T  
U  
V  
W  
X  
Y



**Lateral Stabilizer for 563 Series**



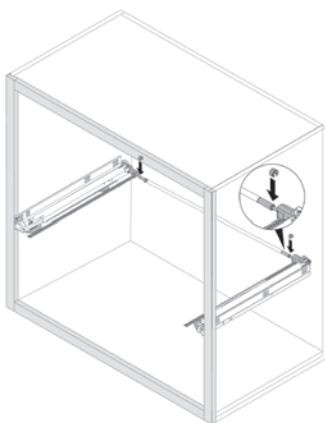
- Increases lateral stability
- Synchronizes left and right runners to prevent drawer racking
- Ideal for wide applications using TANDEM 563H/563./563F Series
- Does not increase load capacity
- Frameless and blocked-out face frame applications 9" (229mm) to 27" (686mm) length drawers
- Face frame applications with rear attachment 12" (305mm) to 21" (533mm) length drawers
- Recommended for opening widths 24" (610mm) and wider

**Set includes:**

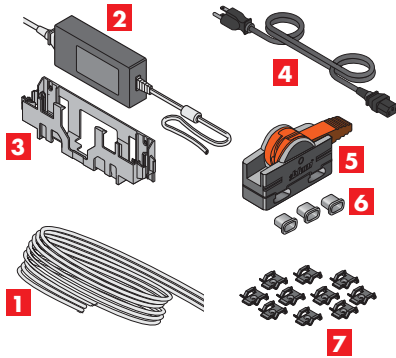
1. Pinion housing (qty 2)
2. Gear rack with locating tabs (qty 2)
3. Linkage rod, 41-1/2" (1054mm) length
4. Pinion adapter (qty 2)
5. Locking clip (qty 2)

Installation sheet

Item #	Box Qty
BZST.686TU.01	10



# BLUM SERVO-DRIVE FOR TANDEM PLUS BLUMOTION



## Power Supply Set

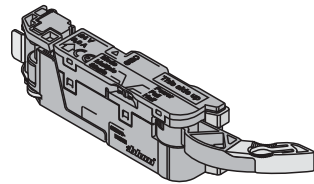
- Supplies power to the drive units

### Set Includes:

1. 19 ft universal cable
2. 24 watt power supply
3. Wall mount bracket
4. Three-prong cord
5. INSERTA cable connector
6. Cable end protectors (qty 3)
7. Cable clips (qty 10)

Also includes installation template, instructions, and user manual

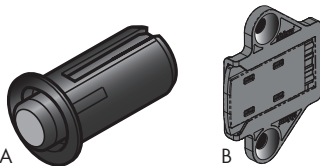
<b>Item #</b>
BZ10NE03UG10



## Drive Unit

- Nylon
- Dust gray finish

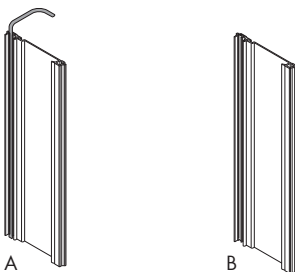
<b>Item #</b>
BZ10A3000.03



## Distance Bumpers

- Provides 1/8" (3mm) gap

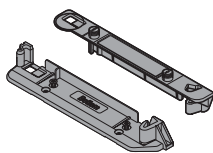
	Item #	Description
A	B993.0531	5mm Bumper
B	B993.1220	Screw-on Bumper



## Vertical Aluminum Profile

- Can be cut to size

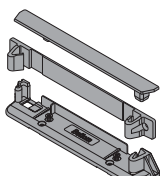
	Item #	Description
A	BZ10T720AB	Profile w/cable, length 28-3/8" (720mm) - cable length 31-1/2" (800mm)
B	BZ10T1170A	Profile without cable, length 46" (1170mm)



## Top and Bottom Adapter Set

- For use with horizontal stretcher rail

<b>Item #</b>
BZ10D01E0



## Back and Bottom Adapter Set

- For use with back stretcher rail

<b>Item #</b>
BZ10D01EA

A  
B  
C  
D  
E  
F  
G  
H  
I  
J  
K  
L  
M  
N  
O  
P  
Q  
R  
S  
T  
U  
V  
W  
X  
Y

A  
B  
C  
D  
E  
F  
G  
H  
I  
J  
K  
L  
M  
N  
O  
P  
Q  
R  
S  
T  
U  
V  
W  
X  
Y

**BLUM SERVO-DRIVE FOR TANDEM PLUS BLUMOTION**

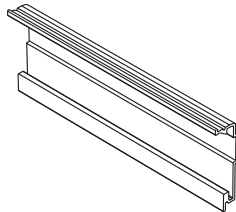


**SERVO-DRIVE Locking Device with Integrated Bumper**



- One right and one left required per drawer
- Captive right device and self-aligning left device
- Self-adjusting drawer length tolerance
- Steel base with synthetic, spring-loaded release levers
- Minimum inside drawer width 6-11/16" (170mm)
- Height adjustment +1/8" (3mm)
- Side-to-side adjustment +/- 1/16" (1.5mm)
- Depth adjustment +3/32" (2.5mm), preset at 0
- Minimum sub-front thickness 1/2" (13mm)
- Designed for 1/2" (13mm) drawer bottom recess
- Integrated 1/8" (3mm) distance bumper for inset or overlay SERVO-DRIVE applications

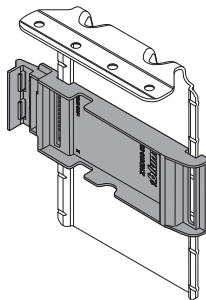
Item #	Description	Box Qty
BT51.1901PSR	Right Front Locking Device	100
BT51.1901PSL	Left Front Locking Device	100



**Horizontal Aluminum Profile**

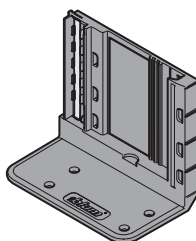
- Profile length 45" (1143mm) cut to size

<b>Item #</b>
BZ10T1143B



**Top Bracket with Adapter**

<b>Item #</b>
BZ10D6252



**Bottom Bracket**

- 31-1/2" (800mm) universal cable is included

<b>Item #</b>
BZ10D7201

## BLUM SERVO-DRIVE FOR TANDEM PLUS BLUMOTION



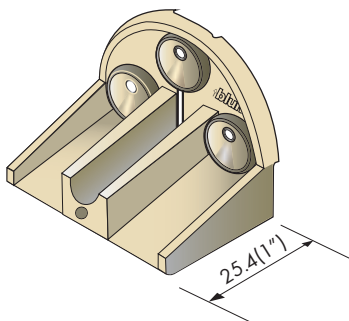
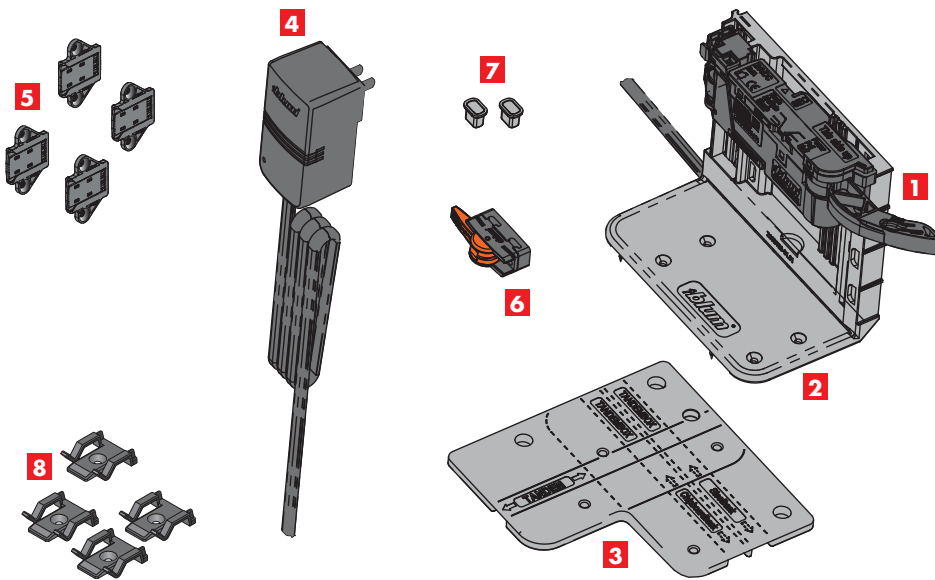
### SERVO-DRIVE Waste/Recycle Set



**Set Includes:**

1. Drive unit (pre-attached)
  2. Double bottom bracket with #6 x 1" wood screws (qty 2)
  3. Cable clips (qty 4)
  4. Adapter plate
  5. INSERTA cable connector
  6. Screw-on distance bumpers (qty 4) with #6 x 5/8" wood screws for installation (qty 8)
  7. 110 volt plug-in power supply with six feet of universal cable
  8. Cable end protectors (qty 2)
- Installation template, instructions, and user manual

<b>Item #</b>
BZ10NA30UGUS



### TANDEM Inset Spacer

- For applications where there would not be enough space behind the drawer box to add SERVO-DRIVE due to cabinet construction, plumbing, etc.
- Two required per drawer

<b>Item #</b>
BT59.A5PO

A  
B  
C  
D  
E  
F  
G  
H  
I  
J  
K  
L  
M  
N  
O  
P  
Q  
R  
S  
T  
U  
V  
W  
X  
Y

A  
B  
C  
D  
E  
F  
G  
H  
I  
J  
K  
L  
M  
N  
O  
P  
Q  
R  
S  
T  
U  
V  
W  
X  
Y

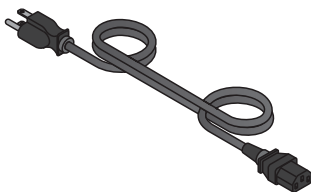
**BLUM SERVO-DRIVE FOR TANDEM PLUS BLUMOTION**



**SERVO-DRIVE Power Supply**

- Supplies power to the drive units
- Energy Star Level VI
- UL Certified
- Can power up to 50 drive units
- Connect to switched GFCI outlet
- 6 ft cable length
- Three-prong power cord required

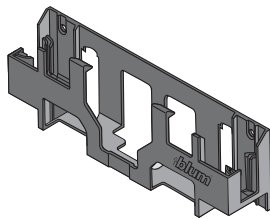
<b>Item #</b>
BZ10NE030G



**Power Cord with Three-Prong Plug**

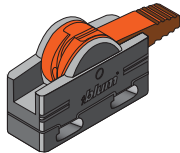
- Must be plugged into a switched GFCI outlet

<b>Item #</b>
BZ10M200U



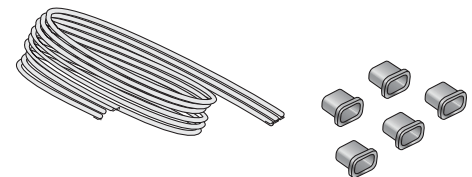
**Wall Mount Bracket for Power Supply**

<b>Item #</b>
BZ10NG100



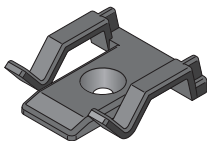
**Inserta Cable Connector**

<b>Item #</b>
BZ10V1000



**Universal Cable**

- 26 ft length with five cable end protectors

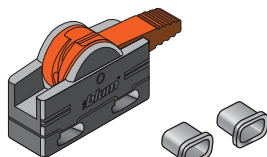


**Cable Clip**

- Adhesive back and/or screw-on

<b>Item #</b>
BZ10K0009

<b>Item #</b>
BZ10K800AE

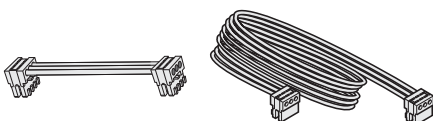


**INSERTA Cable Connector Set**

**Set Includes:**

- INSERTA cable connector
- Cable end protector (qty 2)

**Synchronization Cables**



Item #	Description
BZ10K008S	3" (80mm) synchronization cable
BZ10K120S	4' (1200mm) synchronization cable

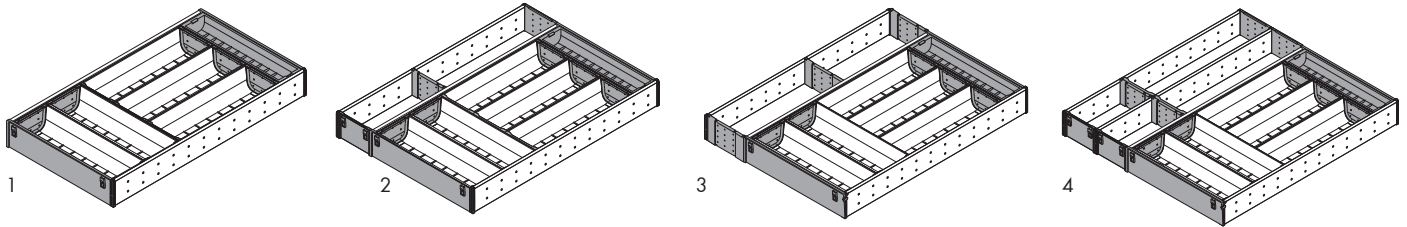


## BLUM TANDEM ORGA-LINE

### ORGA-LINE



- Adjustable organization solution for wood drawers that ideal for storing items in the kitchen and through the home
- Spring loaded compensation tray and side rails ensure that each kit will fit into an inside drawer length from 19-1/4" to 20"
- Removable trays are made of high quality nylon and stainless steel
- Dishwasher safe up to 170° F



#### Flatware - For 21" Drawers

Item #	Width	Height
1 BZHI.533BI3A	11-1/4" (285mm)	2-5/8" (66mm)
2 BZHI.533KI4A	15" (381mm)	2-5/8" (66mm)
3 BZHI.533TI4A	15-11/16" to 16-7/16" (399mm to 417mm)	2-5/8" (66mm)
4 BZHI.533TI5A	18-3/4" to 19-7/16" (477mm to 494mm)	2-5/8" (66mm)



#### Cutlery Sets - For 21" Drawers

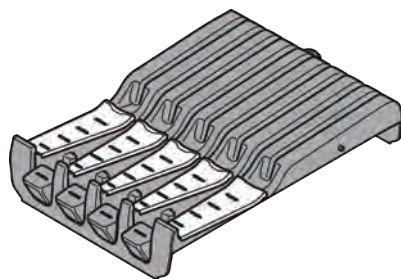
Item #	Width	Height
1 BZHI.533BI1A	4-1/4" (108mm)	2-5/8" (66mm)
2 BZHI.533MI3A	11-7/8" (302mm)	2-5/8" (66mm)



#### Utensils - For 21" Drawers

Item #	Width	Height
1 BZHI.533FI1A	4-1/4" (108mm)	2-5/8" (66mm)
2 BZHI.533FI3A	11-9/16" (294mm)	2-5/8" (66mm)

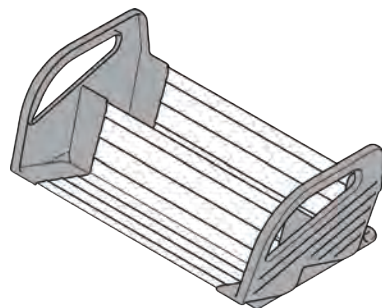
A  
B  
C  
D  
E  
F  
G  
H  
I  
J  
K  
L  
M  
N  
O  
P  
Q  
R  
S  
T  
U  
V  
W  
X  
Y

**A BLUM TANDEM ORGA-LINE**

**ORGA-LINE Knife Holder**

- Length 11-1/8" (282mm)
- Width 7" (178mm)
- Height 2-3/16" (56mm)
- Holds up to nine knives of different sizes
- High quality nylon and stainless steel
- Dishwasher safe up to 170°F
- Handle support (qty 4)


**Item #**

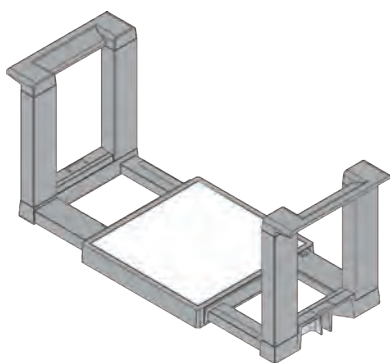
BZSZ.02MO


**ORGA-LINE Spice Tray**

- Width 11-1/8" (282mm) - Inside storage width 10-1/4" (260mm)
- Height 4-3/4" (121mm)
- Easy removal from drawer
- High quality nylon and stainless steel
- Set includes two trays and four feet

**Item #**

BZfZ.38G0I-HGL


**ORGA-LINE Plate Holder**

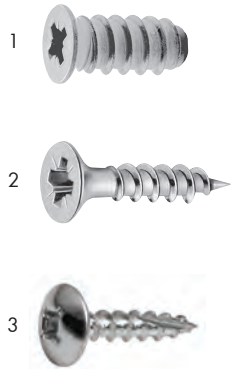
- Plate diameter 6-9/16" to 12-5/16" (167mm to 312mm)
- Overall width 9-3/4" to 15-7/16" (247mm to 392mm)
- Overall height 6-11/16" (170mm)
- Holds up to 12 plates
- Non-slip bottom
- High quality nylon and stainless steel

**Item #**

BZC7T0350-GR

**BLUM TANDEM ACCESSORIES**

**Wood & Euro Screws**



	Item #	Description	Box Qty
1	B661.1000.HG	6.1mm x 10mm, #2 POZI	1,000
	B661.1150.HG	6.1mm x 11.5mm, #2 POZI	1,000
	B661.1300.HG	6.1mm x 13mm, #2 POZI	1,000
	BSS-14.5MM	6.1mm x 14.5mm, #2 POZI	1,000
	B661.2000.HG	6.1mm x 20mm, #2 POZI	1,000
	B661.2500.HG	6.1mm x 25mm, #2 POZI	1,000
2	B606P-1000	#6 x 5/8", #2 POZI	1,000
3	B612TH	#6 x 1/2", #2 POZI Truss Head	1,000

**Pozi Driver and Bits**



Item #	Description
BPD	#2 POZI Driver
B2X1POZIBIT	#2 x 1" POZI bit insert

**Side Spacer**



- For spacing our TANDEM runners from the cabinet side for clearance in interior roll-out applications
- 1" thick

Item #	Box Qty
BT59.3570	100

**TANDEM End Caps**



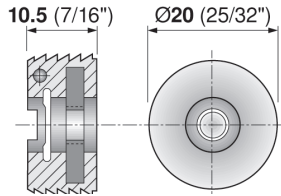
- To cover the front edge of TANDEM runners when used in an interior roll-out application
- Can be used with TANDEM 563/H/F runners

Item #	Description	Box Qty
B295.5520R	Right End Cap	500
B295.5520L	Left End Cap	500

A  
B  
C  
D  
**E**  
F  
G  
H  
I  
J  
K  
L  
M  
N  
O  
P  
Q  
R  
S  
T  
U  
V  
W  
X  
Y

**A BLUM TANDEM ACCESSORIES**

B  
C  
D  
E  
F  
G  
H  
I  
J  
K  
L  
M  
N  
O  
P  
Q  
R  
S  
T  
U  
V  
W  
X  
Y

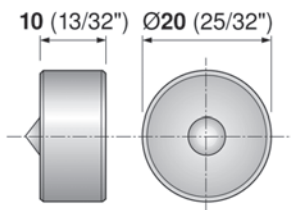


**Drawer Front Adjusters**

- Nylon housing with pre-mounted 8-32 steel nut
- For four-sided drawers
- Adjusts height and side-to-side by 3/16" (5mm)



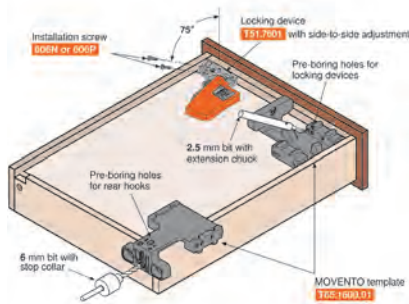
Item #	Box Qty
B295.100	1,000



**Marking Gauge**

- For marking center holes for knock-in drawer front adjusters
- For wooden 3-sided drawers

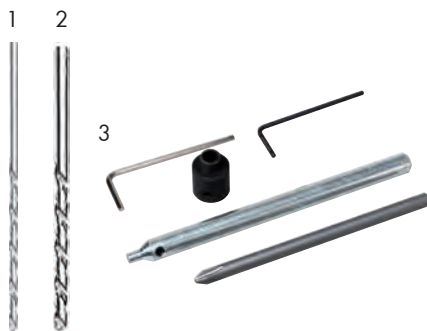
Item #	Box Qty
B65.2950	10



**Concealed Runner Template**

- Essential tool for drawers using any series TANDEM runners
- To bore 6mm holes for rear hooks
- Pre-bore 2.5mm hole for TANDEM locking devices at the required angle

Item #
BT65.1600.01



**Concealed Runner Template Accessories**

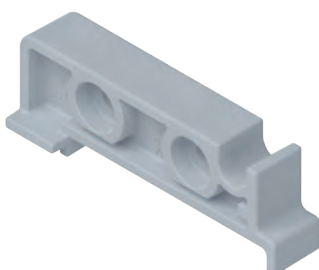
Item #	Description
1	BDB-2.5mm 2.5mm Drill Bit RH
2	BDB-6mm 6mm Drill Bit RH
3	BT65.9000 Tool Set*

\* Set includes 2.5mm drill bit extension, 6mm stop collar, #2 Phillips screwdriver tip, and allen wrenches

**Roll-out Shelf Rear Mounting Block**

- Eliminates the need to edge bore holes for hooks on roll-outs
- Attach rear mounting block to the back of the shelf instead of notching and boring

Item #
BT51.7000



**BLUM TANDEM ASSEMBLY AIDS**

A  
B  
C  
D  
**E**  
F  
G  
H  
I  
J  
K  
L  
M  
N  
O  
P  
Q  
R  
S  
T  
U  
V  
W  
X  
Y



**Universal Individual Template**



- For pre-boring MOVENTO and TANDEM drawer runners
- Also used for marking/pre-boring other Blum drawer systems, AVENTOS locating pins, hinge mounting plates, BLUMOTION adapters, and TIP-ON adapters
- Calibrated scales for accurate setting
- Set Includes: Universal individual template, 2.5mm and 5mm stop collars, allen wrench

<b>Item #</b>
B65.1051.02



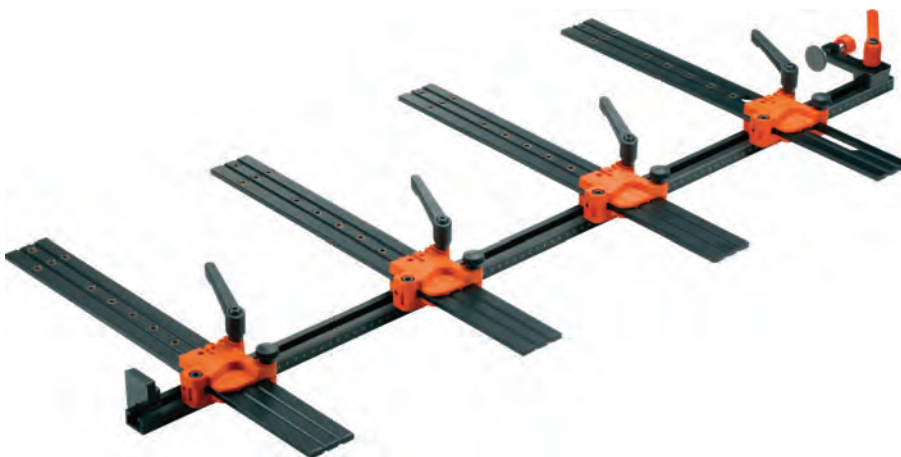
**Cabinet Profile Template Set**

- Used for pre-boring holes for MOVENTO and TANDEM drawer runners
- Also used for marking/pre-boring other Blum drawer systems, AVENTOS locating pins and hinge mounting plates

**\*Set Includes:**

- Rail, 1 meter long
- Replacement template (qty 4)
- 2.5mm stop collar
- 5mm stop collar
- Allen wrench

Item #	Description
B65.1000.01	Cabinet Profile Template*
BDB-2.5MM	2.5mm Drill Bit
BDB-5MM	5mm Drill Bit



A  
B  
C  
D  
E  
F  
G  
H  
I  
J  
K  
L  
M  
N  
O  
P  
Q  
R  
S  
T  
U  
V  
W  
X  
Y

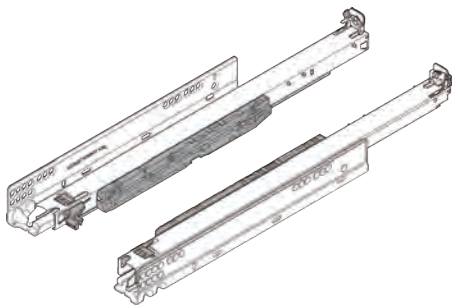
## BLUM MOVENTO DRAWER SYSTEMS



### MOVENTO 763H Standard Duty Drawer Slides



- Four-dimensional adjustment
- Elongated holes for depth adjustment
- 125 lb static load capacity
- Face frame or frameless cabinets
- Smooth running action
- Available in 12" to 21" lengths
- 1/2" (13mm) to 5/8" (16mm) drawer thickness
- Compatible with TIP-ON BLUMOTION and SERVO-DRIVE
- Bottom mount holes
- Full extension concealed runners
- BLUMOTION soft closing



#### MOVENTO 763H Drawer Slides

Item #	Length	Box Qty
B763H3050S	12"	6
B763H3810S	15"	6
B763H4570S	18"	6
B763H5330S	21"	6



#### Standard Locking Device with Side-to-Side Adjustment

- One right and one left required per drawer
- Self-adjusting drawer length tolerance
- Steel base with synthetic, spring-loaded release levers
- Minimum inside drawer width 6-11/16" (170mm)
- Side-to-side adjustment +/- 1/16" (1.5mm)
- Captive right and self-aligning left device
- For use with MOVENTO runners only

Item #	Description	Box Qty
BT51.7601R	Right front locking device	100
BT51.7601L	Left front locking device	100



#### Locking Device Spacer for Thin Fronts

- Works with MOVENTO locking devices
- 15/32" (12mm) and 1/2" (13mm) sub-fronts only

Item #
BT59.K010M



#### Rear Mounting Brackets for Face Frame Cabinets

- For use when installing MOVENTO runners in face frame cabinets
- Not necessary for frameless cabinet installation
- Two required per drawer
- Depth and lateral self-alignment
- Zinc-coated steel
- Not for use with TIP-ON BLUMOTION

Item #	Box Qty
B295.3750.02	100

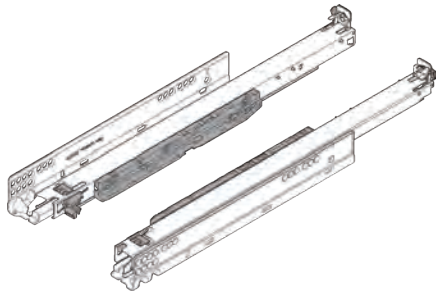
## BLUM MOVENTO DRAWER SYSTEMS



### MOVENTO 763 Standard Duty Drawer Slides



- Four-dimensional adjustment
- Elongated holes for depth adjustment
- Bottom mount holes
- 125 lb static load capacity
- Full extension concealed runners
- Frameless or blocked-out face frame cabinets
- BLUMOTION soft closing
- Smooth running action
- Available in 12" to 21" lengths
- 1/2" (13mm) to 5/8" (16mm) drawer thickness
- Compatible with TIP-ON BLUMOTION and SERVO-DRIVE



#### MOVENTO 763 Drawer Slides

Item #	Length	Box Qty
B763.3050S	12"	6
B763.3810S	15"	6
B763.4570S	18"	6
B763.5330S	21"	6

NOTE: For 763. series runners, rear brackets and sockets cannot be used. Cabinet sides must be blocked-out flush with the inside of the frame.

#### Standard Locking Device with Side-to-Side Adjustment

- One right and one left required per drawer
- Captive right and self-aligning left device
- Self-adjusting drawer length tolerance
- Steel base with synthetic, spring-loaded release levers
- Minimum inside drawer width 6-11/16" (170mm)
- Side-to-side adjustment +/- 1/16" (1.5mm)
- For use with MOVENTO runners only



Item #	Description	Box Qty
BT51.7601R	Right front locking device	100
BT51.7601L	Left front locking device	100

#### Locking Device Spacer for Thin Fronts

- Works with MOVENTO locking devices
- 15/32" (12mm) and 1/2" (13mm) sub-fronts only

Item #
BT59.K010M



A  
B  
C  
D  
E  
F  
G  
H  
I  
J  
K  
L  
M  
N  
O  
P  
Q  
R  
S  
T  
U  
V  
W  
X  
Y

A  
B  
C  
D  
E  
F  
G  
H  
I  
J  
K  
L  
M  
N  
O  
P  
Q  
R  
S  
T  
U  
V  
W  
X  
Y

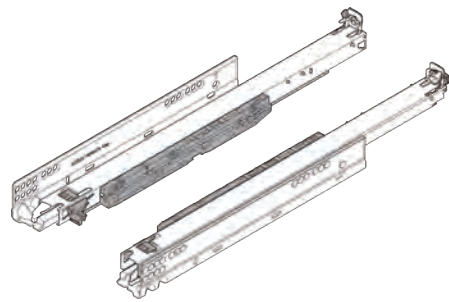
**BLUM MOVENTO DRAWER SYSTEMS**



**MOVENTO 769 Heavy Duty Drawer Slides**



- Four-dimensional adjustment
- Elongated holes for depth adjustment
- 170 lb static load capacity
- Full extension concealed runners
- Frameless or blocked-out face frame cabinets
- BLUMOTION soft closing
- Smooth running action
- Available in 18" to 30" lengths
- 1/2" (13mm) to 5/8" (16mm) drawer thickness
- Compatible with TIP-ON BLUMOTION and SERVO-DRIVE



**MOVENTO 769. Heavy Duty Slides**

Item #	Length	Box Qty
B769.4570S	18"	6
B769.5330S	21"	6
B769.6100S	24"	6
B769.6860S	27"	4
B769.7620S	30"	4

NOTE: For 769. series runners, rear brackets and sockets cannot be used. Cabinet sides must be blocked-out flush with the inside of the frame.



**Standard Locking Device with Side-to-Side Adjustment**

- One right and one left required per drawer
- Captive right and self-aligning left device
- Self-adjusting drawer length tolerance
- Steel base with synthetic, spring-loaded release levers
- Minimum inside drawer width 6-11/16" (170mm)
- Side-to-side adjustment +/- 1/16" (1.5mm)
- For use with MOVENTO runners only
- Packed in full boxes of 100. Available any quantity

Item #	Description	Box Qty
BT51.7601R	Right front locking device	100
BT51.7601L	Left front locking device	100



**Locking Device Spacer for Thin Fronts**

- Works with MOVENTO locking devices
- 15/32" (12mm) and 1/2" (13mm) sub-fronts only

Item #
BT59.K010M



## BLUM MOVENTO DRAWER SYSTEMS



### TIP-ON BLUMOTION for MOVENTO



- Enables MOVENTO drawers to be opened with just a light touch of the drawer front
- Same installation dimensions as MOVENTO
- Fully mechanical motion
- Smooth running action
- Four-dimensional adjustment
- Load capacity of runner remains unchanged
- Can be used with or without pulls
- Frameless or blocked out face frame applications



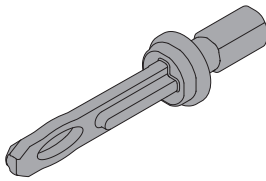
#### TIP-ON BLUMOTION Unit & Triggers

##### Sets Include:

- Left and right TIP-ON units and triggers
- Two synchronization adapters

Drawer Length	S1 (0 - 44 lb)	L1 (0 - 44 lb)	L3 (44 - 88 lb)	L5 (88 - 155 lb)
30"	—	—	—	BT60L7570
27"	—	—	—	BT60L7570
24"	—	—	—	BT60L7570
21"	—	BT60L7340	BT60L7540	BT60L7570
18"	—	BT60L7340	BT60L7540	BT60L7570
15"	—	BT60L7340	BT60L7540	—
12"	BT60L7140	—	—	—

### Required Parts



#### Synchronization Adapters

- To be used with the T60L1118W synchronization rod

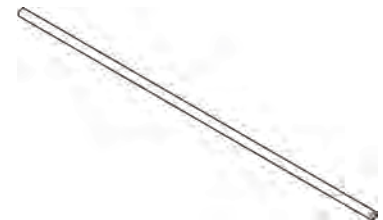
Item #
BT60.000D



#### TIP-ON BLUMOTION for MOVENTO Front Gap Template

- For creating a 1/8" (3.5mm) front gap
- For use with TIP-ON BLUMOTION for MOVENTO only
- Not for use with 769R series runners

Item #
B65.5632.US



#### Synchronization Rod

- Recommended for all cabinet widths for optimal function
- Opening width: 12-3/8" (314mm) minimum, 54-1/2" (1385mm) maximum
- Length 44-1/32" (1118mm), cut to size

Item #
BT60L1118W



#### TIP-ON BLUMOTION Synchronization for Narrow Applications

- Opening width: 11-1/16" (281mm) minimum, 12" (305mm) maximum
- Length 2-1/2" (64mm), cut to size

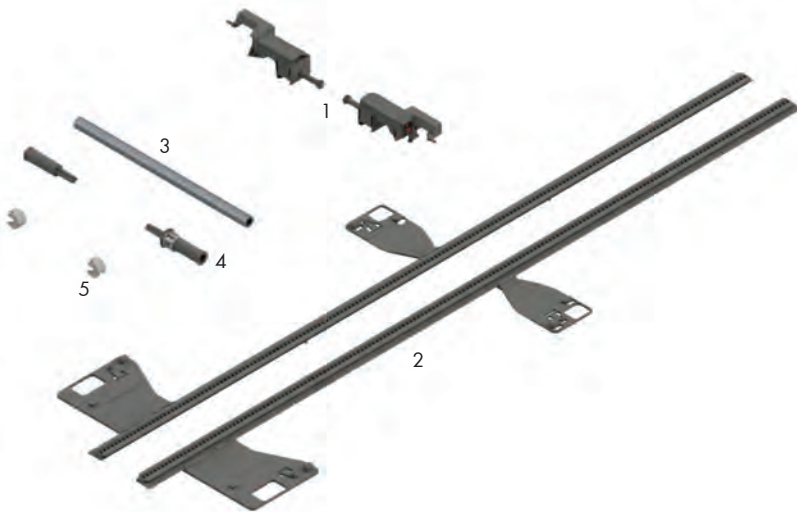
Item #
BT60.300D

**A BLUM MOVENTO DRAWER SYSTEMS**

**B Lateral Stabilizer for MOVENTO 763H/763. and 769. Series**



- Synchronizes left and right runners to prevent drawer racking and increases lateral stability
- Ideal for wide applications using MOVENTO
- Does not increase load capacity
- Frameless and blocked-out face frame applications 12" (305mm) to 27" (686mm) drawers
- Recommended for opening widths 24" (610mm) and wider



**Lateral Stabilizer Set**

**Set Includes:**

1. Pinion housing (qty 2)
  2. Gear rack with locating tabs (qty 2)
  3. Linkage rod, 41-3/8" (1051mm) length
  4. Pinion adapter (qty 2)
  5. Locking clip (qty 2)
- Also includes installation instructions

<b>Item #</b>
BZS7M686MU-GR

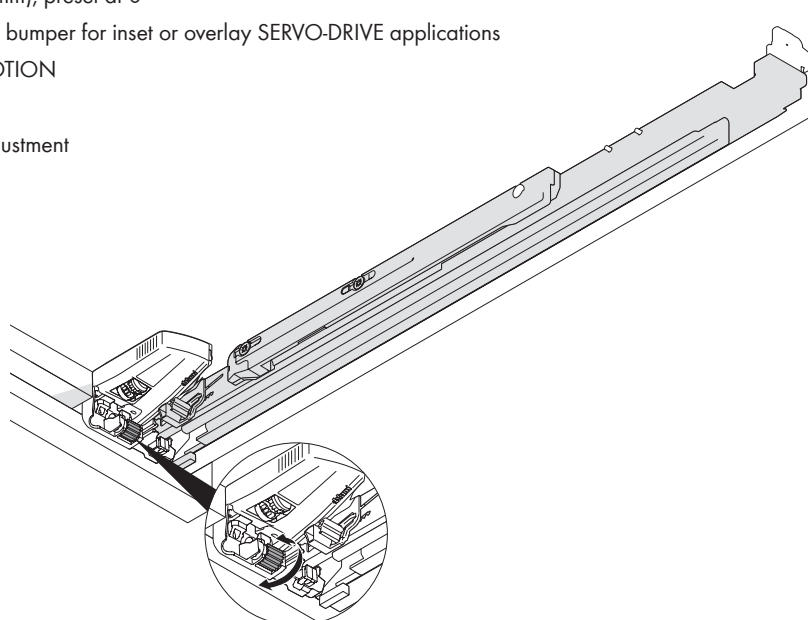
**O Optional Add-On Depth Adjustment without TIP-ON BLUMOTION**

- Uses the same 763 or 769 runner
- Requires increased setback of the runner
- 763H/763. and 769. frame applications require blocking-out behind the face frame
- Depth adjustment +/- 3/32" (2mm), preset at 0
- Integrated 1/8" (3mm) distance bumper for inset or overlay SERVO-DRIVE applications
- Not for use with TIP-ON BLUMOTION

**Set Includes:**

- Right and left add-on depth adjustment
- Installation instructions

<b>Item #</b>
B298.7600



## BLUM MOVENTO DRAWER SYSTEMS

A  
B  
C  
D  
**E**  
F  
G  
H  
I  
J  
K  
L  
M  
N  
O  
P  
Q  
R  
S  
T  
U  
V  
W  
X  
Y

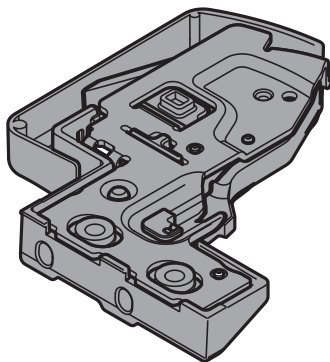


### Standard Locking Device with Side-to-Side Adjustment



- One right and one left required per drawer
- Captive right and self-aligning left device
- Steel base with synthetic, spring-loaded release levers
- Minimum inside drawer width 6-11/16" (170mm)
- Side-to-side adjustment +/- 1/16" (1.5mm)
- For use with MOVENTO runners only
- Self-adjusting drawer length tolerance

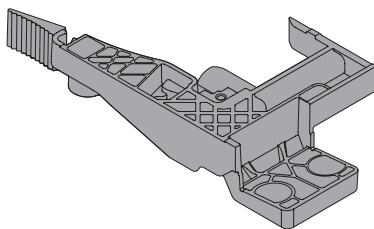
Item #	Description	Box Qty
BT51.7601R	Right front locking device	100
BT51.7601L	Left front locking device	100



### Vertical Mount Locking Device with Side-to-Side Adjustment

- One right and one left required per drawer
- Captive right and self-aligning left device
- Steel base with synthetic, spring-loaded release levers
- Minimum inside drawer width 6-11/16" (170mm)
- Side-to-side adjustment +/- 1/16" (1.5mm)
- Minimum sub-front thickness 5/8" (16mm)
- Designed for 1/2" (13mm) drawer bottom recess
- Used to minimize sub-front splitting
- Self-adjusting drawer length tolerance

Item #	Description	Box Qty
BT51.7601.20R	Right front locking device	100
BT51.7601.20L	Left front locking device	100



### Narrow Drawer Locking Devices

- One right and one left required per drawer
- Maximum dynamic load capacity 25 lb
- Self-adjusting drawer length tolerance
- Minimum inside drawer with 3-3/4" (95mm) without TIP-ON BLUMOTION
- Minimum sub-front thickness 5/8" (16mm)
- Designed for 1/2" (13mm) drawer bottom recess
- For use with narrow drawers
- Captive right and self-aligning left device
- Vertical mount, two-piece nylon

Item #	Description	Box Qty
BT51.0501.20R	Right front locking device	100
BT51.0501.20L	Left front locking device	100



### Locking Device Spacer for Thin Fronts

- Works with MOVENTO locking devices
- 15/32" (12mm) and 1/2" (13mm) sub-fronts only

Item #
BT59.K010M

A  
B  
C  
D  
E  
F  
G  
H  
I  
J  
K  
L  
M  
N  
O  
P  
Q  
R  
S  
T  
U  
V  
W  
X  
Y

## BLUM MOVENTO DRAWER SYSTEMS



### Screw-On Rear Bracket

- For MOVENTO 763H series runners
- Lateral self-alignment 1/8" (3mm)
- Non-handed, one-piece stamped steel design, zinc-coated
- Use at least three #6 wood screws
- Not for use with TIP-ON BLUMOTION



Item #	Box Qty
B295.3750.02	100



### Screw-On Socket

- For MOVENTO 763H series runners
- Lateral self-alignment
- Non-handed, two-piece design
- Synthetic, natural color
- Use two #6 flat head wood screws
- Not for use with TIP-ON BLUMOTION

Item #	Box Qty
B295.6400	125



### Plug-in Socket

- For MOVENTO 763H series runners
- Lateral self-alignment feature
- Non-handed, two-piece design
- Synthetic, natural color
- Non-detachable 5/16" (8mm) dowels, 3/8" (9.5mm) long
- 1/4" (6mm) minimum back panel thickness
- Use two #6 flat head wood screws
- Not for use with TIP-ON BLUMOTION

Item #	Box Qty
B295.6410	125

## BLUM MOVENTO DRAWER SYSTEMS



### Waste/Recycle Drawer with Motion Technologies



- Pre-assembled bottom mount set
- MOVENTO heavy duty full extension concealed runners with BLUMOTION
- For 12", 15", and 18" minimum opening widths
- 1/2" (13mm) to 5/8" (16mm) drawer thickness
- 3/4" (19mm) over extension
- For face frame and frameless applications
- Tool-free side-to-side, height and tilt adjustment
- Maximum 1/4" (6mm) cabinet bottom recess
- 135 lb static load capacity
- Compatible with TIP-ON BLUMOTION and SERVO-DRIVE

#### MOVENTO Waste/Recycle Set

• **Set Includes:**

1. MOVENTO heavy duty runner set with pre-mounted #6 x 1" wood screw for installation (qty 8)
  2. Standard locking device (qty 2) with #6 x 5/8" wood screws for installation (qty 4)
- Also includes installation template and instructions

NOTE: Lateral stabilizer cannot be used with 769R series runners.



Item #	Description	Drawer Length
B769R5337SB	For 12" minimum opening width	21" (533mm)
B769R5337SD	For 15" minimum opening width	21" (533mm)
B769R5337SF	For 18" minimum opening width	21" (533mm)

#### SERVO-DRIVE Waste/Recycle Set (Optional)

• **Set Includes:**

- Drive unit (pre-attached)
- Double bottom bracket with #6 x 1" wood screws (qty 2)
- Cable clips (qty 4)
- Adapter plate
- INSERTA cable connector
- Screw-on distance bumpers (qty 4) with #6 x 5/8" wood screws for installation (qty 8)
- 110 volt plug-in power supply with six feet of universal cable



Item #
BZ10NA30UGUS

#### TIP-ON BLUMOTION for MOVENTO Waste/Recycle Set

- Fully mechanical touch-to-open solution for waste/recycle sets
- Heavy duty L5 TIP-ON BLUMOTION units and triggers
- TIP-ON BLUMOTION synchronization rod, pre-cut per width
- TIP-ON BLUMOTION synchronization adapters\*
- Instruction sheet

\* NOTE: T60L7570.B does not use TIP-ON BLUMOTION synchronization adapters

Item #	Description
BT60L7570B	For 769R5337SB set
BT60L7570D	For 769R5337SD set
BT60L7570F	For 769R5337SF set

A  
B  
C  
D  
E  
F  
G  
H  
I  
J  
K  
L  
M  
N  
O  
P  
Q  
R  
S  
T  
U  
V  
W  
X  
Y

A  
B  
C  
D  
E  
F  
G  
H  
I  
J  
K  
L  
M  
N  
O  
P  
Q  
R  
S  
T  
U  
V  
W  
X  
Y

## BLUM MOVENTO DRAWER SYSTEMS



### MOVENTO Bottom Mount Drawer - Heavy Duty



- MOVENTO heavy duty full extension concealed runners with BLUMOTION
- 1/2" (13mm) to 5/8" (16mm) drawer thickness
- 3/4" (19mm) over extension
- For face frame and frameless applications
- Tool-free side-to-side, height and tilt adjustment
- Maximum 1/4" (6mm) cabinet bottom recess
- 135 lb static load capacity
- Designed to be used with SERVO-DRIVE or TIP-ON BLUMOTION



### MOVENTO Bottom Mount Runner Set

- One set required per drawer
  - **Set Includes:**
    1. MOVENTO heavy duty runner set with pre-mounted #6 x 1" wood screws for installation (qty 8)
    2. Standard locking device (qty 2) with #6 x 5/8" wood screws for installation (qty 4)
- Also includes installation instructions

NOTE: Interior roll-outs and roll-out shelf applications must be mounted to the bottom of the cabinet or to a fixed shelf panel. Pre-attached 1/4" spacers should not be removed. Cabinet bottom recess must be 1/4" (6mm) less. Lateral stabilizer cannot be used with 769R series runners.

<b>Item #</b>
B769R5330S



### SERVO-DRIVE Waste/Recycle Set (Optional)

- **Set Includes:**
  - Drive unit (pre-attached)
  - Double bottom bracket with #6 x 1" wood screws (qty 2)
  - Cable clips (qty 4)
  - Adapter plate
  - INSERTA cable connector
  - Screw-on distance bumpers (qty 4) with #6 x 5/8" wood screws for installation (qty 8)
  - 110 volt plug-in power supply with six feet of universal cable
  - Cable end protectors (qty 2)
  - Installation template, instructions, and user manual

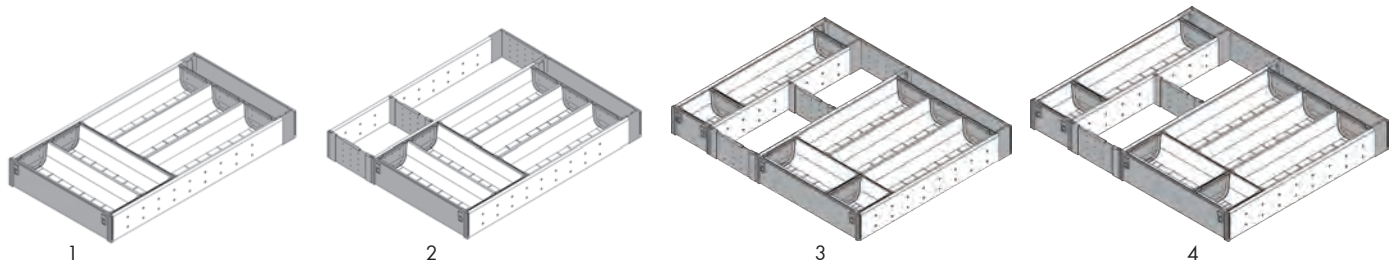
<b>Item #</b>
BZ10NA30UGUS

## BLUM MOVENTO ORGA-LINE

### ORGA-LINE

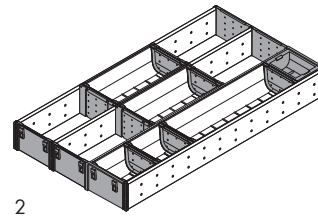
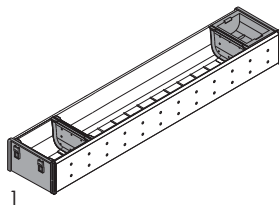


- Adjustable organization solution for wood drawers that are ideal for storing items in the kitchen and throughout the home
- Spring loaded compensation tray and side rails ensure that each kit will fit into an inside drawer length from 19-1/4" to 20"
- Removable trays are made of high quality nylon and stainless steel
- Dishwasher safe up to 170° F



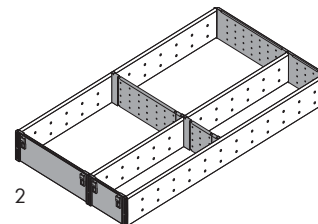
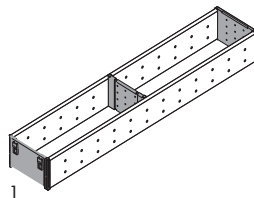
#### Flatware - For 21" Drawers

Item #	Width	Height
1 BZHI.533BI3A	11-1/4" (285mm)	2-5/8" (66mm)
2 BZHI.533KI4A	15" (381mm)	2-5/8" (66mm)
3 BZHI.533TI4A	15-11/16" to 16-7/16" (399mm to 417mm)	2-5/8" (66mm)
4 BZHI.533TI5A	18-3/4" to 19-7/16" (477mm to 494mm)	2-5/8" (66mm)



#### Cutlery Sets - For 21" Drawers

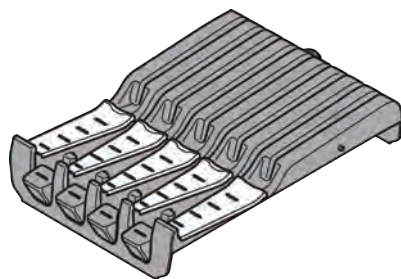
Item #	Width	Height
1 BZHI.533BI1A	4-1/4" (108mm)	2-5/8" (66mm)
2 BZHI.533MI3A	11-7/8" (302mm)	2-5/8" (66mm)



#### Utensils - For 21" Drawers

Item #	Width	Height
1 BZHI.533FI1A	4-1/4" (108mm)	2-5/8" (66mm)
2 BZHI.533FI3A	11-9/16" (294mm)	2-5/8" (66mm)

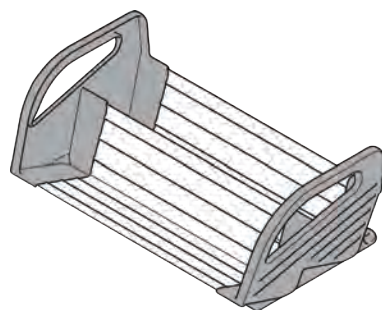
A  
B  
C  
D  
E  
F  
G  
H  
I  
J  
K  
L  
M  
N  
O  
P  
Q  
R  
S  
T  
U  
V  
W  
X  
Y

**A BLUM MOVENTO ORGA-LINE**

**ORGA-LINE Knife Holder**

- Length 11-1/8" (282mm)
- Width 7" (178mm)
- Height 2-3/16" (56mm)
- Holds up to nine knives of different sizes
- High quality nylon and stainless steel
- Dishwasher safe up to 170°F
- Handle support (qty 4)


**Item #**

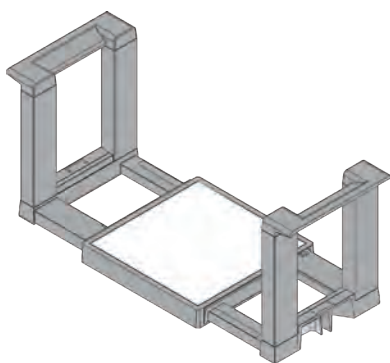
BZSZ.02MO


**ORGA-LINE Spice Tray**

- Width 11-1/8" (282mm) - Inside storage width 10-1/4" (260mm)
- Height 4-3/4" (121mm)
- Easy removal from drawer
- High quality nylon and stainless steel
- Set includes two trays and four feet

**Item #**

BZfZ.38G0IHGL


**ORGA-LINE Plate Holder**

- Plate diameter 6-9/16" to 12-5/16" (167mm to 312mm)
- Overall width 9-3/4" to 15-7/16" (247mm to 392mm)
- Overall height 6-11/16" (170mm)
- Holds up to 12 plates
- Non-slip bottom
- High quality nylon and stainless steel

**Item #**

BZC7T0350-GR



## BLUM MOVENTO ASSEMBLY AIDS & ACCESSORIES

A  
B  
C  
D  
E  
F  
G  
H  
I  
J  
K  
L  
M  
N  
O  
P  
Q  
R  
S  
T  
U  
V  
W  
X  
Y



### Universal Individual Template

- For pre-boring MOVENTO drawer runners
- Also used for marking/pre-boring other Blum drawer systems, AVENTOS locating pins, hinge mounting plates, BLUMOTION adapters, and TIP-ON adapters
- Calibrated scales for accurate setting
- Set includes: Universal individual template, 2.5mm and 5mm stop collars, allen wrench

Item #
B65.1051.02



### Cabinet Profile Template Set

- Used for pre-boring holes for MOVENTO drawer runners
- Also used for marking/pre-boring other Blum drawer systems, AVENTOS locating pins and hinge mounting plates

**\* Set Includes:**

- Rail, 1 meter long
- Replacement template (qty 4)
- 2.5mm stop collar
- 5mm stop collar
- Allen wrench

Item #	Description
B65.1000.01	Cabinet Profile Template*
BDB-2.5MM	2.5mm Drill Bit
BDB-6MM	6mm Drill Bit



### Concealed Runner Template

- Essential tool for drawers using any MOVENTO or TANDEM runners
- To bore 6mm holes for rear hooks
- Pre-bore 2.5mm hole for MOVENTO locking devices at the required angle

Item #
BT65.1600.01

### Concealed Runner Template Accessories

Item #	Description
BDB-2.5MM	2.5mm Drill Bit
BDB-6MM	6mm Drill Bit
BT65.9000	Tool Set*

\* Set includes 2.5mm drill bit extension, 6mm stop collar, #2 Phillips screwdriver tip, and allen wrenches



### Wood and Euro Screws

	Item #	Description	Box Qty
1	B661.1150.HG	#6 x 11.5mm, #2 POZI	1,000
2	B612TH	#6 x 1/2", #2 Phillips	100



**A GRASS DYNAPRO2.0 UNDERMOUNT DRAWER SLIDES**

B  
C  
D  
E  
F  
G  
H  
I  
J  
K  
L  
M  
N  
O  
P  
Q  
R  
S  
T  
U  
V  
W  
X  
Y



**Dynapro2.0 Full Extension Undermount Slides w/Soft-Close - For 16mm (5/8") Drawer Material**

- Face frame or frameless applications from 12.7mm (1/2") to 16mm (5/8") drawer material
- Full extension with a synchronized mechanism
- Soft-close liquid damping system
- Self-latching front locking devices have release levers for drawer removal and installation
- Height adjustment +3.5mm with suitable front locking device
- Side adjustment ±1.5mm with suitable front locking device
- Depth adjustment +3.0mm forward with suitable front locking device
- 100 lb static, 90 lb dynamic load rating



Item #	Description	Box Qty
GDYNAPRO2-09B	9" Length, For 5/8" Drawer Material	5
GDYNAPRO2-12B	12" Length, For 5/8" Drawer Material	5
GDYNAPRO2-15B	15" Length, For 5/8" Drawer Material	5
GDYNAPRO2-18B	18" Length, For 5/8" Drawer Material	5
GDYNAPRO2-21B	21" Length, For 5/8" Drawer Material	5
GDYNAPRO2-15BB	15" Length, For 5/8" Drawer Material	200
GDYNAPRO2-18BB	18" Length, For 5/8" Drawer Material	200
GDYNAPRO2-21BB	21" Length, For 5/8" Drawer Material	200



**Dynapro2.0 Full Extension Undermount Slides w/Soft-Close - For 19mm (3/4") Drawer Material**

- Face frame or frameless applications from 16mm (5/8") to 19mm (3/4")
- Full extension with a synchronized mechanism
- Soft-close liquid damping system
- Self-latching front locking devices have release levers for drawer removal and installation
- Height adjustment +3.5mm with suitable front locking device
- Side adjustment ±1.5mm with suitable front locking device
- Depth adjustment +3.0mm forward with suitable front locking device
- 100 lb static, 90 lb dynamic load rating



Item #	Description	Box Qty
GDYNAPRO234-09B	9" Length, For 3/4" Drawer Material	5
GDYNAPRO234-12B	12" Length, For 3/4" Drawer Material	5
GDYNAPRO234-15B	15" Length, For 3/4" Drawer Material	5
GDYNAPRO234-18B	18" Length, For 3/4" Drawer Material	5
GDYNAPRO234-21B	21" Length, For 3/4" Drawer Material	5
GDYNAPRO234-18BB	18" Length, For 3/4" Drawer Material	200
GDYNAPRO234-21BB	21" Length, For 3/4" Drawer Material	200

## GRASS DYNAPRO2.0 FRONT LOCKING DEVICES



### Dynapro2.0 2D Front Locking Devices Standard Mount



- Minimum inside drawer width 150mm (5-7/8")
- Height adjustment range: +3.5mm
- Side adjustment range: ±1.5mm
- Pre-drilling recommended Ø2.5mm (3/32")

Description	Left Item #	Right Item #	Box Qty
2D Front Locking Device	GDPF134108950233	GDPF134108951233	200



### Dynapro2.0 2D Front Locking Devices Flange Mount



- Minimum inside drawer width 150mm (5-7/8")
- Height adjustment range: +3.5mm
- Side adjustment range: ±1.5mm
- Pre-drilling recommended Ø2.5mm (3/32")

Description	Left Item #	Right Item #	Box Qty
2D Front Locking Device, Flanged	GDPF134108944233	GDPF134108945233	200



### Dynapro2.0 3D Front Locking Devices Standard Mount



- Minimum inside drawer width 150mm (5-7/8")
- Height adjustment range: +3.5mm
- Side adjustment range: ±1.5mm
- Depth adjustment range: +3.0mm forward adjustment
- Pre-drilling recommended Ø2.5mm (3/32")

Description	Left Item #	Right Item #	Box Qty
3D Front Locking Device	GDPF134108947233	GDPF134108948233	200



### Dynapro2.0 3D Front Locking Devices Flange Mount



- Minimum inside drawer width 150mm (5-7/8")
- Height adjustment range: +3.5mm
- Side adjustment range: ±1.5mm
- Depth adjustment range: +3.0mm forward adjustment
- Pre-drilling recommended Ø2.5mm (3/32")

Description	Left Item #	Right Item #	Box Qty
3D Front Locking Device, Flanged	GDPF134108942233	GDPF134108943233	200

A  
B  
C  
D  
E  
F  
G  
H  
I  
J  
K  
L  
M  
N  
O  
P  
Q  
R  
S  
T  
U  
V  
W  
X  
Y

**A GRASS DYNAPRO2.0 FRONT LOCKING DEVICES**

B  
C  
D  
E  
F  
G  
H  
I  
J  
K  
L  
M  
N  
O  
P  
Q  
R  
S  
T  
U  
V  
W  
X  
Y



**Dynapro2.0 1D Front Locking Devices  
Flange Mount**



- Minimum inside drawer width 150mm (5-7/8")
- Height adjustment range: +3.5mm
- Pre-drilling recommended Ø2.5mm (3/32")

Description	Left Item #	Right Item #	Box Qty
1D Front Locking Device, Flanged	GDPF134116420233	GDPF134116421233	200

Description	Item #	Box Qty
1D Front Locking Devices, Flanged Set (LH & RH)	GDPF134116422204	5



**Dynapro2.0 1D Front Locking Devices  
Standard Mount**



- Minimum inside drawer width 150mm (5-7/8")
- Height adjustment range: +3.5mm
- Pre-drilling recommended Ø2.5mm (3/32")

Description	Left Item #	Right Item #	Box Qty
1D Front Locking Device	GDPF134101221233	GDPF134101222233	200



**Dynapro2.0 Narrow Front Locking Devices  
Standard Mount**



- Works with all narrow drawer applications
- Minimum inside drawer width 95mm (3-3/4")
- Height adjustment range: +3.5mm
- Pre-drilling recommended Ø2.5mm (3/32")

Description	Left Item #	Right Item #	Box Qty
Narrow Front Locking Device	GDPF134100699233	GDPF134100700233	200

**GRASS DYNAPRO2.0 REAR BRACKETS**



**Standard Screw-On Rear Bracket for Dynapro2.0**



- For 12" - 21" drawers
- For face frame application
- Non-handed
- Made of metal
- Pre-drilling recommended Ø2.5mm (3/32")
- Use a minimum of 3 screws per bracket, #6 x 1/2" truss head screws

Item #	Description	Box Qty
G7950.VE300	Screw-On Metal Rear Bracket, Standard	300



**Narrow Screw-On Rear Bracket for Dynapro2.0**



- For 12" - 21" drawers
- For face frame application with narrow recess of side panel
- Non-handed
- Made of metal
- Pre-drilling recommended Ø2.5mm (3/32")

Item #	Description	Box Qty
G7951.VE300	Screw-On Metal Rear Bracket, Narrow	300



**Screw-On Rear Bracket Set for 9" Dynapro2.0**



- For 9" drawer
- For face frame application
- For installation depth min 269mm (10-19/32") to 352mm (13-7/8")
- Pre-drilling recommended Ø2.5mm (3/32")
- Set includes: (1) left bracket, (1) right bracket and (4) #M5 x 8 screws

Item #	Description	Box Qty
GDPO0433-37	Rear Mounting Bracket Set for 9" Slides	5

A  
B  
C  
D  
E  
F  
G  
H  
I  
J  
K  
L  
M  
N  
O  
P  
Q  
R  
S  
T  
U  
V  
W  
X  
Y

**A GRASS ACCESSORIES**

B  
C  
D  
E  
F  
G  
H  
I  
J  
K  
L  
M  
N  
O  
P  
Q  
R  
S  
T  
U  
V  
W  
X  
Y



**Drilling Template for Drawer**



- For front locking device, drawer hole hook, and adjustment adapter

Item #	Description	Box Qty
GF146109874299	Drilling template - Drawer	1



**Drilling Template for Cabinet Member**



- For front locking device, drawer hole hook, and adjustment adapter

Item #	Description	Box Qty
GF146101348507	Drilling template - Cabinet Member	1



**Elite Plus Drilling Template**



- Use to precisely bore holes in the drawer back
- Use with a standard 1/4" (6mm) drill bit and stop collar

Item #	Description	Box Qty
G02511-01	Elite Plus Drilling Template	1



**Centering Drill Bit Ø 2.5mm**



- Used for pre-drilling countersink wood screws, Ø 2.5mm

Item #	Description	Box Qty
G35692-01	Centering Drill Bit Ø 2.5mm	1

**GRASS ACCESSORIES**

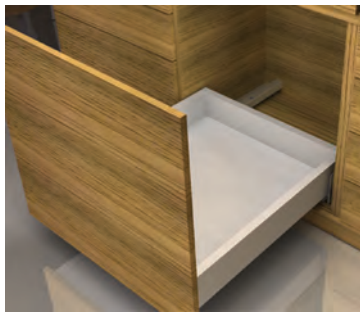


**Inset Bracket Set**



- For face frame inset applications with Dynapro2.0
- Works with all inset applications
- Bracket mounts behind the face frame, minimum 12.7mm (1/2") frame offset required
- Slide attaches easily with one screw
- Includes guide markings for proper setback
- Set includes: (2) Universal Inset Bracket, (2) 8 x 32 Tapped Insert for Inset bracket, (4) #7 x 2" mounting screws, (2) #8 - 32 x 1/2" Machine Screw FHP & (1) Instructions

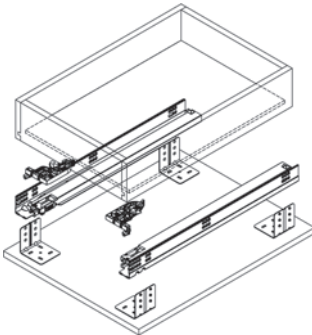
Item #	Description	Box Qty
G13901-37	Inset Bracket Set	1
G13901-08	Inset Bracket Set	50



**Interior Drawer Bracket Set**



- Used to mount slides to a cabinet bottom or shelf for interior roll out trays
- Works with Dynapro2.0, Dynapro, and Nova Pro Scala drawer slides
- Set includes:
  - (4) non-handed, zinc plated, steel brackets
  - (8) M4 screws to attach slides to brackets
  - (8) #8 x 5/8" PHP screws to mount brackets to cabinet



Item #	Description	Box Qty
G00443-40	Interior Drawer Bracket Set	25



**Euro Screw, Nickel-Plated**



Item #	Description	Box Qty
G499.360.61.1015	Euro Screw 11mm (7/16") Pozi	500



**Wood Screws, Nickel-Plated**



Item #	Description	Box Qty
G81001-43	#6 x 5/8" FHP, Nickel	500
G6X34FHNI	#6 x 3/4" FHP, Nickel	500

## GRASS DYNAPRO UNDERMOUNT DRAWER SLIDES



### Heavy Duty and Extended Length Soft-Close Undermount Slides



- 16mm (5/8") and 19mm (3/4") Material
- Face frame application must be blocked out
- Full extension with a synchronized mechanism
- Soft-close liquid damping system
- Self-latching front locking devices have comfortable release levers for drawer removal and installation
- Height adjustment +3.5mm
- Side adjustment ±1.5mm
- Tilt adjustment +4.0mm
- Depth adjustment +4.5mm (optional)
- 132 lb load rating (60 kg) heavy duty
- 110 lb load rating (50 kg) extended length

Dynapro 16mm (5/8") Heavy Duty Full Extension Slides, 132lb (60kg) and 110lb (50kg)					
Item #	Drawer Length	Nominal Length	Min Installation Depth	Load Rating	Box Qty
GDPF130135008204	18" (457mm)	18-11/16" (475mm)	18-27/32" (479mm)	132lb (60kg)	5
GDPF130135009204	21" (533mm)	21-11/16" (551mm)	21-27/32" (555mm)	132lb (60kg)	5
GDPF130135010204	24" (610mm)	24-23/32" (628mm)	24-7/8" (632mm)	132lb (60kg)	5
GDPF130135011203	27" (686mm)	27-23/32" (704mm)	27-7/8" (708mm)	110lb (50kg)	4
GDPF130135012203	30" (762mm)	30-23/32" (780mm)	30-7/8" (784mm)	110lb (50kg)	4

Dynapro 19mm (3/4") Heavy Duty Full Extension Slides, 132lb (60kg) and 110lb (50kg)					
Item #	Drawer Length	Nominal Length	Min Installation Depth	Load Rating	Box Qty
GDPF130135028604	18" (457mm)	18-11/16" (475mm)	18-27/32" (479mm)	132lb (60kg)	5
GDPF130135028604	21" (533mm)	21-11/16" (551mm)	21-27/32" (555mm)	132lb (60kg)	5
GDPF130135427204	24" (610mm)	24-23/32" (628mm)	24-7/8" (632mm)	132lb (60kg)	5
GDPF130136064604	27" (686mm)	27-23/32" (704mm)	27-7/8" (708mm)	110lb (50kg)	4
GDPF130135029604	30" (762mm)	30-23/32" (780mm)	30-7/8" (784mm)	110lb (50kg)	4

### Tilt Adjustment Adapters

- Provides tilt adjustment for Dynapro heavy duty and Dynapro extended lengths
- Tilt adjustment range: 5/32" (+4mm)
- For both frameless and face frame applications



Item #	Description	Box Qty
GDPF13412500-ALR	Left/Right Rear Tilt Adjustment Adapters	200

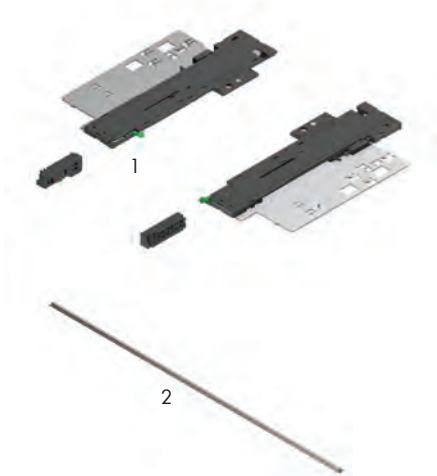


## GRASS DYNAPRO TIPMATIC SOFT-CLOSE



### Dynapro Soft-Close Tipmatic

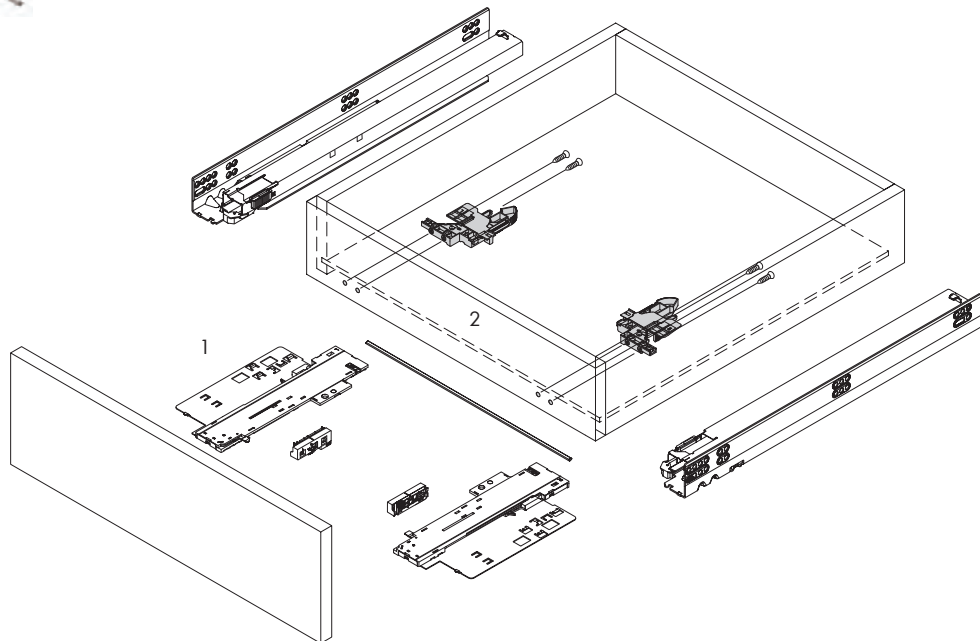
- Mechanical opening system for handle-free fronts
- Combines Tipmatic function with Soft-close damping
- Tool-free assembly of the Tipmatic Soft-close unit
- One unit for nominal lengths 305mm (12") up to 762mm (30")
- 3 tier adjustment for the opening force
- Wide activation zone due to synchronization bar
- Works with all Dynapro types including heavy duty
- Works with Vionaro drawers
- Dynapro Tipmatic Soft-close works with all Dynapro front locking devices
- For drawer widths up to 1200mm



**Tipmatic Soft-Close for 16mm (5/8") and 19mm (3/4") Material**

Item #	Description	Box Qty
1	GDPF134109323607 Tipmatic Soft-Close Set, Unit and Activator	10
2	GDPF134109410207 Tipmatic Synchronization Bar - Cut to Length 37-1/2" (952mm)	10

NOTE: Tipmatic Soft-Close does not work with 9" slides.



A  
B  
C  
D  
E  
F  
G  
H  
I  
J  
K  
L  
M  
N  
O  
P  
Q  
R  
S  
T  
U  
V  
W  
X  
Y

A  
B  
C  
D  
E  
F  
G  
H  
I  
J  
K  
L  
M  
N  
O  
P  
Q  
R  
S  
T  
U  
V  
W  
X  
Y

## GRASS ELITE PLUS UNDERMOUNT DRAWER SLIDES

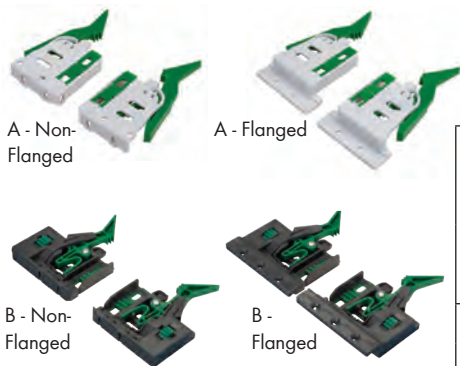


### Soft-Close Full Extension Undermount Slides for up to 5/8" Drawer Material



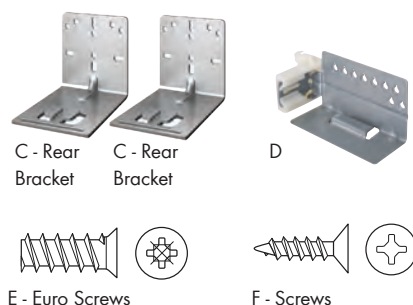
- Zinc-plated, roll formed steel components
- Precision, smooth-running synthetic roller carriages
- Self-latching front locking devices have comfortable release levers for drawer removal
- Front locking device height adjustable 2.5mm (3/32")
- Positive tracked right side, ± 1.5mm (1/16") side tolerance on left side
- Self-closing springs engage 30mm (1-1/4") before closed position
- Weight capacity: 75 lbs. dynamic, 100 lbs. static
- Exceeds ANSI/BHMA 156.9, Grade 1, Type B05011 drawer slide, test standards

Elite Plus Undermount Slides		
Item #	Description	Box Qty
GEP13132-09B	9" Elite Plus Undermount Drawer Slide	5
GEP13133-12B	12" Elite Plus Undermount Drawer Slide	5
GEP13363-15B	15" Elite Plus Undermount Drawer Slide	5
GEP13364-18B	18" Elite Plus Undermount Drawer Slide	5
GEP13365-21B	21" Elite Plus Undermount Drawer Slide	5
GEP13363-15BB	15" Elite Plus Undermount Drawer Slide - Bulk	200
GEP13364-18BB	18" Elite Plus Undermount Drawer Slide - Bulk	200
GEP13365-21BB	21" Elite Plus Undermount Drawer Slide - Bulk	200



### Front Locking Devices

	Non-flanged Item #	Flanged Item #	Description	Box Qty
A	G02614	-	7523 Front locking device, universal, 1D, kit (kit includes: Left/Right locking device, (4) #6 x 1/2" flat head Phillips screws)	5
	GEP2498-LH	G02495-12	7523 Front locking device, universal, 1D, left	200
	GEP2499-RH	G02496-12	7523 Front locking device, universal, 1D, right	200
B	GEP80051-LH	G80053-12	75X3 Front locking device, universal, 2D, left	200
	GEP80052-RH	G80054-12	75X3 Front locking device, universal, 2D, right	200



### Rear Mounting Brackets and Screws

	Item #	Description	Box Qty
C	G7950.VE300	Universal rear mount bracket	200
D	G02216	V-Notch, Metal with Socket, Left	200
	G02217	V-Notch, Metal with Socket, Right	200
E	G499.360.61.1015	11mm (7/16") Pozi Euro Screw	500
F	G81001-43	#6 X 5/8" FHP, Nickel Screw	500
	G6X34FHNI	#6 X 3/4" FHP, Nickel Screw	500

## GRASS MAXCESS UNDERMOUNT DRAWER SLIDES

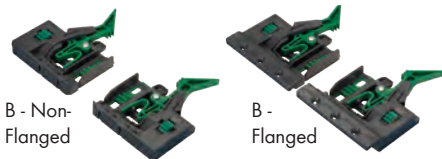


### Full Access Undermount Drawer Slides



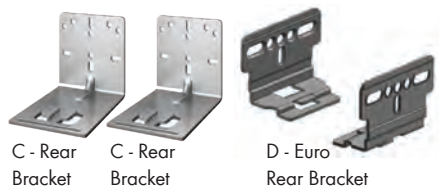
- Slide is concealed to give a full view of drawers
- Applications from 12.7mm (1/2") up to 16mm (5/8") drawer material
- Zinc-plated, roll formed steel components
- Precision, smooth-running synthetic roller carriages
- German technology liquid damper with smooth closing action
- Self-latching front locking devices have easy release levers for drawer removal and installation
- Weight capacity: 75 lb dynamic; 100 lb static
- Meets and exceeds ANSI/BHMA A156.9, Grade 1

Maxcess Drawer Slides					
Item #	Drawer Length	Cab Mem Length	Min Installation Depth	Max Installation Depth	Box Qty
G13301-09B	9" (229mm)	10-3/32" (256mm)	10-3/4" (273mm)	11-13/16" (300mm)	5
G13302-12B	12" (305mm)	12-7/16" (316mm)	13-3/4" (349mm)	14-3/16" (360mm)	5
G13303-15B	15" (381mm)	15-7/16" (392mm)	16-25/32" (426mm)	17-5/32" (436mm)	5
G13304-18B	18" (457mm)	18-7/16" (468mm)	19-3/4" (502mm)	20-5/32" (512mm)	5
G13305-21B	21" (533mm)	21-15/32" (545mm)	22-3/4" (578mm)	23-3/16" (589mm)	5
G13303-15BB	15" (381mm)	15-7/16" (392mm)	16-25/32" (426mm)	17-5/32" (436mm)	200
G13304-18BB	18" (457mm)	18-7/16" (468mm)	19-3/4" (502mm)	20-5/32" (512mm)	200
G13305-21BB	21" (533mm)	21-15/32" (545mm)	22-3/4" (578mm)	23-3/16" (589mm)	200



### Front Locking Devices

	Non-flanged Item #	Flanged Item #	Description	Box Qty
A	G02614	-	7523 Front locking device, universal, 1D, kit (kit includes: Left/Right locking device, (4) #6 x 1/2" flat head Phillips screws)	5
	GEP2498-LH	G02495-12	7523 Front locking device, universal, 1D, left	200
	GEP2499-RH	G02496-12	7523 Front locking device, universal, 1D, right	200
B	GEP80051-LH	G80053-12	75X3 Front locking device, universal, 2D, left	200
	GEP80052-RH	G80054-12	75X3 Front locking device, universal, 2D, right	200



### Rear Mounting Brackets and Screws

	Item #	Description	Box Qty
C	G7950.VE300	Universal rear mount bracket	200
D	G13380-12	Rear Screw-on Mounting Bracket for Frameless (Euro) Applications	200
E	G499.360.61.1015	11 mm (7/16") Pozi Euro Screw	500
F	G81001-43	#6 X 5/8" FHP, Nickel Screw	500
	G6X34FHNI	#6 X 3/4" FHP, Nickel Screw	500

A  
B  
C  
D  
E  
F  
G  
H  
I  
J  
K  
L  
M  
N  
O  
P  
Q  
R  
S  
T  
U  
V  
W  
X  
Y

A  
B  
C  
D  
E  
F  
G  
H  
I  
J  
K  
L  
M  
N  
O  
P  
Q  
R  
S  
T  
U  
V  
W  
X  
Y

## HETTICH QUADRO V6 UNDERMOUNT DRAWER SLIDES



### Quadro V6 Full Extension Undermount Slides w/Silent System or Push To Open



- Slide on installation with catches and tool-less height adjustment
- Side adjustment up to +/- 2 mm with 2D front fixing clips
- Convenient slide on installation with catches and tool-less drawer adjustment
- Optionally upgradeable with Push to open Silent: convenient opening mechanism in combination with silent and soft closing; upgradeable with synchronization
- Load capacity up to 90 lbs dynamic (100 lbs static), as per ANSI / BHMA 156.9 grade 1 specifications on a 21" length slide
- For 1/2" (13 mm) or 5/8" (16 mm) drawer side thickness

Quadro V6 Full Extension Drawer Slides w/Silent System			
Description	Left Hand Item #	Right Hand Item #	Box Qty
9" Length w/Silent System	HET9304255	HET9304256	20
12" Length w/Silent System	HET9304258	HET9304259	10
15" Length w/Silent System	HET9304261	HET9304262	10
18" Length w/Silent System	HET9304271	HET9304272	10
21" Length w/Silent System	HET9304280	HET9304281	10
24" Length w/Silent System	HET9304283	HET9304284	10

Quadro V6 Full Extension Drawer Slides w/Push To Open			
Description	Left Hand Item #	Right Hand Item #	Box Qty
12" Length w/Push To Open	HET9304312	HET9304313	10
15" Length w/Push To Open	HET9304315	HET9304316	10
18" Length w/Push To Open	HET9304319	HET9304320	10
21" Length w/Push To Open	HET9304322	HET9304323	10
24" Length w/Push To Open	HET9304308	HET9304309	10

## HETTICH QUADRO V6 FRONT FIXING CLIPS - 2D SERIES



### Quadro V6 2D Front Fixing Clip Sets, Front Mount 5/8"

- Set contains one front fixing clip left / right each
- Side adjustment up to +/- 2 mm
- For 16 mm (5/8") drawer material thickness with +3 mm toolless height adjustment
- Minimum drawer inside width = 130 mm (5-1/8")
- Installation recommended with two # 6 x 5/8" flat head screws per clip



Description	100 Box Qty Item #	10 Box Qty Item #
Fixing Clip Set, Front Mount 5/8"	HET9306536	HET9308640



### Quadro V6 2D Front Fixing Clip Sets, Front Mount 1/2"

- Set contains one front fixing clip left / right each
- Side adjustment up to +/- 2 mm
- For 13 mm (1/2") drawer material thickness with +3 mm toolless height adjustment
- Minimum drawer inside width = 130 mm (5-1/8")
- Installation recommended with two # 6 x 5/8" flat head screws per clip



Description	100 Box Qty Item #	10 Box Qty Item #
Fixing Clip Set, Front Mount 1/2"	HET9306535	HET9308639



### Quadro V6 2D Front Fixing Clip Sets, Top Mount 5/8"

- Set contains one front fixing clip left / right each
- Side adjustment up to +/- 2 mm
- For 16 mm (5/8") drawer material thickness with +3 mm toolless height adjustment
- Minimum drawer inside width = 130 mm (5-1/8")
- Installation recommended with two # 6 x 5/8" flat head screws per clip



Description	100 Box Qty Item #	10 Box Qty Item #
Fixing Clip Set, Top Mount 5/8"	HET9306540	HET9308664



### Quadro V6 2D Front Fixing Clip Sets, Top Mount 1/2"

- Set contains one front fixing clip left / right each
- Side adjustment up to +/- 2 mm
- For 13 mm (1/2") drawer material thickness with +3 mm toolless height adjustment
- Minimum drawer inside width = 130 mm (5-1/8")
- Installation recommended with two # 6 x 5/8" flat head screws per clip



Description	100 Box Qty Item #	10 Box Qty Item #
Fixing Clip Set, Top Mount 1/2"	HET9306539	HET9308663

A  
B  
C  
D  
E  
F  
G  
H  
I  
J  
K  
L  
M  
N  
O  
P  
Q  
R  
S  
T  
U  
V  
W  
X  
Y

## HETTICH QUADRO V6 FRONT FIXING CLIPS - 1D SERIES



### Quadro V6 1D Front Fixing Clip Sets, Front Mount 5/8"

- Set contains one front fixing clip left / right each
- For 16 mm (5/8") drawer material thickness with +3 mm toolless height adjustment
- Minimum drawer inside width = 95 mm (3-23/32")
- Installation recommended with two # 6 x 3/4" flat head screws per clip



Description	100 Box Qty Item #	20 Box Qty Item #
Fixing Clip Set, Front Mount 5/8"	HET9306534	HET9308638



### Quadro V6 1D Front Fixing Clip Sets, Front Mount 1/2"

- Set contains one front fixing clip left / right each
- For 13 mm (1/2") drawer material thickness with +3 mm toolless height adjustment
- Minimum drawer inside width = 95 mm (3-23/32")
- Installation recommended with two # 6 x 3/4" flat head screws per clip



Description	100 Box Qty Item #	20 Box Qty Item #
Fixing Clip Set, Front Mount 1/2"	HET9306533	HET9308637



### Quadro V6 1D Front Fixing Clip Sets, Top Mount 5/8"

- Set contains one front fixing clip left / right each
- For 16 mm (5/8") drawer material thickness with +3 mm toolless height adjustment
- Minimum drawer inside width = 95 mm (3-23/32")
- Installation recommended with two # 6 x 3/4" flat head screws per clip



Description	100 Box Qty Item #	20 Box Qty Item #
Fixing Clip Set, Top Mount 5/8"	HET9306538	HET9308662



### Quadro V6 1D Front Fixing Clip Sets, Top Mount 1/2"

- Set contains one front fixing clip left / right each
- For 13 mm (1/2") drawer material thickness with +3 mm toolless height adjustment
- Minimum drawer inside width = 95 mm (3-23/32")
- Installation recommended with two # 6 x 3/4" flat head screws per clip



Description	100 Box Qty Item #	20 Box Qty Item #
Fixing Clip Set, Top Mount 1/2"	HET9306537	HET9308661

## HETTICH QUADRO V6 REAR BRACKETS

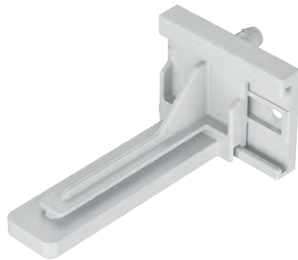


### Screw-On Metal Rear Bracket Set for Quadro V6

- Set contains 2 metal rear mount brackets
- For up to 37 mm (1-7/16") depth adjustment and +/- 2 mm (3/32") side adjustment
- Additional adjustment via oblong holes
- Installation recommended with min. two # 6 pan head screws



Description	Item #	Box Qty
Rear Screw-On Bracket Set	HET9308864	10



### Dowelled Plastic Rear Brackets for Quadro V6

- Plastic rear mount bracket with connector
- For up to 26 mm (1") depth adjustment and +/- 16 mm (5/8") side-to-side self-alignment
- Non-detachable 8 mm dowels
- For 1/8" rear panel material thickness



Description	Left Hand Item #	Right Hand Item #	Box Qty
Rear Plastic Bracket w/Dowels	HET9308854	HET9308855	100



### Screw-On Plastic Rear Brackets for Quadro V6

- Plastic rear mount bracket with connector
- For up to 26 mm (1") depth adjustment and +/- 12 mm (15/32") side-to-side self-alignment
- Installation recommended with four # 8 flat head screws per bracket



Description	Left Hand Item #	Right Hand Item #	Box Qty
Rear Plastic Bracket, Screw-On	HET9308856	HET9308857	100

A  
B  
C  
D  
E  
F  
G  
H  
I  
J  
K  
L  
M  
N  
O  
P  
Q  
R  
S  
T  
U  
V  
W  
X  
Y

A  
B  
C  
D  
E  
F  
G  
H  
I  
J  
K  
L  
M  
N  
O  
P  
Q  
R  
S  
T  
U  
V  
W  
X  
Y

## HETTICH QUADRO 4D V6 UNDERMOUNT DRAWER SLIDES



### Quadro 4D V6 Full Extension Slide w/Silent System



- Slide on installation with 4D front fixing clips and tilt adjustment
- Optionally upgradable with Push to open Silent: convenient opening mechanism in combination with silent and soft closing; upgradable with synchronisation
- Tool-less, intuitive height adjustment up to +2 mm, side adjustment up to +/- 1.5 mm, depth adjustment up to +/- 2 mm, and tilt adjustment
- For up to 5/8" (16mm) drawer side thickness, for face frame or frameless applications
- Meets or exceeds ANSI/BHMA 156.9 grade 1 requirements
- Load capacity up to 90 lbs dynamic (100 lbs static), as per ANSI/BHMA 156.9 grade 1 specification on a 21" length slide

**Quadro 4D V6 Full Extension Drawer Slides w/Silent System**

Description	Left Hand Item #	Right Hand Item #	Box Qty
9" Length w/Silent System	HET9262842	HET9262843	10
12" Length w/Silent System	HET9262844	HET9262845	10
15" Length w/Silent System	HET9262846	HET9262847	10
18" Length w/Silent System	HET9262848	HET9262849	10
21" Length w/Silent System	HET9262850	HET9262851	10
24" Length w/Silent System	HET9262852	HET9262853	10





## HETTICH QUADRO 4D V6 FRONT FIXING CLIPS & TILT ADJUSTERS



### Quadro 4D V6 Front Fixing Clips

- Quadro 4D V6 Front fixing clips for up to 5/8" drawer material
- For securely connecting the slides and wooden drawer without the need for tools
- Tool-less height adjustment up to +2 mm and side adjustment up to +/- 1.5 mm



Description	Left Hand Item #	Right Hand Item #	Box Qty
Quadro 4D Locking Device	HET9247355	HET9247356	100



### Quadro 4D V6 Front Fixing Clip Set w/Spacers

- Quadro 4D V6 Front fixing clips w/spacers for up to 5/8" drawer material
- For securely connecting the slides and wooden drawer without the need for tools
- Tool-less height adjustment up to +2 mm and side adjustment up to +/- 1.5 mm
- Set includes: (10) LH Front Fixing Clips, (10) RH Front Fixing Clips  
(20) Spacers for 1/2" drawer box material



Description	Item #	Box Qty
Quadro 4D V6 Front Fixing Clip Set w/Spacers	HET9218980	10



### Quadro 4D V6 Tilt Adjuster For Wooden Drawers

- Large range within which the rear hook can be inserted in the slide for safe installation, even when the adjustment range is fully used



Description	Left Hand Item #	Right Hand Item #	Box Qty
Quadro 4D Tilt Adjuster	HET9205924	HET9205925	100



### Quadro 4D V6 Front Fixing Clip Set w/Tilt Adjusters & Spacers

- Set includes: (10) LH Front Fixing Clips, (10) RH Front Fixing Clips, (10) LH Tilt Adjusters  
(10) RH Tilt Adjusters, (20) Spacers for 1/2" drawer box material



Description	Item #	Box Qty
Quadro 4D V6 Front Fixing Clip Set w/Tilt Adjusters & Spacers	HET9218979	10

A  
B  
C  
D  
E  
F  
G  
H  
I  
J  
K  
L  
M  
N  
O  
P  
Q  
R  
S  
T  
U  
V  
W  
X  
Y

**A HETTICH QUADRO 4D V6 REAR BRACKETS**

**Screw-On Metal Rear Bracket Set for Quadro 4D V6**

- Set contains 2 metal rear mount brackets and 2 plastic connectors
- Non-handed, two-piece design
- For up to 50 mm (1-15/16") depth adjustment and  $\pm 1.5$  mm (1/16") side adjustment
- Additional adjustment via oblong holes
- Installation recommended with min. four # 6 pan head screws



Description	Item #	Box Qty
Rear Screw-On Bracket Set	HET9055093	10


**Dowelled Plastic Rear Brackets for Quadro 4D V6**

- Plastic rear mount bracket with connector
- For up to 27 mm (1-1/16") depth adj. and  $\pm 16$  mm (5/8") side-to-side self-alignment
- Non-detachable 8 mm dowels
- For 1/8" rear panel material thickness
- Order 2 per drawer



Description	Item #	Box Qty
Rear Plastic Bracket w/Dowels	HET1135174	100


**Screw-On Plastic Rear Brackets for Quadro 4D V6**

- Plastic rear mount bracket with connector
- For up to 27 mm (1-1/16") depth adj. and  $\pm 12$  mm (15/32") side-to-side self-alignment
- Installation recommended with four # 8 flat head screws per bracket
- Order 2 per drawer



Description	Item #	Box Qty
Rear Plastic Bracket, Screw-On	HET1135181	100


**Spacer Block for Quadro 4D V6**

- 25 mm (1") distance block
- For Setback blocking, frameless construction, internal pullouts, etc.
- Installation recommended with one  $\varnothing 6.3$  mm Euro screw or # 8 flat head screw per spacer
- Installation of slide to spacer recommended with one  $\varnothing 6.3$  mm Euro screw per spacer



Description	Item #	Box Qty
Spacer Block	HET1130537	200

## HETTICH QUADRO ACCESSORIES



### Push To Open Silent Set For Quadro V6 w/Silent System



- Units: 20 kg (45 lbs), 40 kg (90 lbs)
- Optional, upgradeable for all nominal lengths without tools
- Internal cabinet body width > 200 mm (7-7/8"), minimal drawer front gap of 2.5 mm (3/32")
- Drawers can still be pulled open / guided closed
- Set Includes: (1) Push to open Silent unit, left and right, (1) activator, left and right (2) adapters for mounting optional synchronization

Total Weight - Lbs.	Quadro - Lbs.	Nominal Length	Item #	Box Qty
15 - 45	66	12" - 24"	HET9308679	1
25 - 90	90	15" - 24"	HET9308678	1



### Push To Open Silent Set For Quadro 4D V6 w/Silent System



- Units: 20 kg (45 lbs), 40 kg (90 lbs)
- Optional, upgradeable for all nominal lengths without tools
- Internal cabinet body width > 200 mm (7-7/8"), minimal drawer front gap of 2.5 mm (3/32")
- Drawers can still be pulled open / guided closed
- Set Includes: (1) Push to open Silent unit, left and right, (1) activator, left and right (2) adapters for mounting optional synchronization

Total Weight - Lbs.	Quadro - Lbs.	Nominal Length	Item #	Box Qty
15 - 45	66	12" - 24"	HET9246315	1
25 - 90	90	12" - 24"	HET9246316	1



### Optional Synchronization For Push To Open Silent



- Synchronization bar for cutting to length, 2000 mm (78-24/32")
- Connector for minimizing of cut waste
- For cabinet bodies in widths of > 600 mm (24"); can be used from 275 mm (11")

Description	Item #	Box Qty
Anodized Aluminum Synchronization Bar	HET9236718	100
Synchronization Bar Connector, Gray Plastic	HET9221295	20



### Synchronization For Quadro V6 w/Push To Open



- Synchronization bar for cutting to length, 2000 mm (78-24/32")
- Adapter Type A for Quadro V6

Description	Item #	Box Qty
Anodized Aluminum Synchronization Bar	HET9236718	100
Adapter Type A	HET9219966	200
Connectors	HET9221295	20

**A HETTICH QUADRO V6+ UNDERMOUNT DRAWER SLIDES**



**Quadro V6+ Full Extension Undermount Slide w/Silent System - Heavy Duty**



- Silent System: the integrated Silent System closes the drawer quietly and gently
- Convenient slide on installation with catches and tool-less height adjustment
- Meets or exceeds ANSI/BHMA 156.9 grade 1 requirements
- Load capacity up to 130 lbs dynamic (170 lbs static), as per ANSI/BHMA 156.9 grade 1 specifications on a 21" length slide
- Galvanized steel, suitable for rooms exposed to moisture
- For 5/8" (16 mm) drawer side thickness
- **For frameless application only**

Quadro V6+ Full Extension Drawer Slides w/Silent System			
Description	Left Hand Item #	Right Hand Item #	Box Qty
15" Length w/Silent System	HET9248619	HET9248620	8
18" Length w/Silent System	HET9244389	HET9244390	8
21" Length w/Silent System	HET9244387	HET9244388	8
24" Length w/Silent System	HET9236068	HET9236069	8



**Quadro V6+ Front Fixing Clips**



- Set contains one front fixing clip left/right each
- For safely connecting the Quadro runner and wooden drawer without the need for tools
- Height adjustment up to +2 mm via a knurled wheel

Description	Item #	Box Qty
Quadro V6+ Front Fixing Clip, Left Hand	HET9117483	100
Quadro V6+ Front Fixing Clip, Right Hand	HET9117485	100
Quadro V6+ Front Fixing Clip, Set	HET9117492	5

## KING SLIDE UNDERMOUNT DRAWER SLIDES

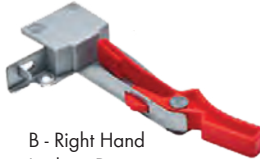


### 100 Lb Undermount Full Extension Drawer Slides w/Soft Close

- Concealed undermount slide with soft close function - ultra smooth gliding motion with high stability and durability
- Quick release front levers - effortless assembly and removal of drawers
- Tool-less height adjustment - fine tune the front panel alignment
- High dynamic loading capacity - 40kg (88lb) for 100,000 life cycles or 45kg (100lb) for 50,000 life cycles
- Maximum Drawer Side Thickness: 16mm (5/8")
- Max. Loading: 45kg (100lb)
- Height adjustment: +3.5mm



A - Left Hand Locking Device



B - Right Hand Locking Device



C - Rear Bracket

Length	Item #	Sold In	Box Qty
12"	KNGUM-12B	Pair	6
15"	KNGUM-15B	Pair	6
18"	KNGUM-18B	Pair	6
21"	KNGUM-21B	Pair	6

#### Locking Devices & Rear Brackets (Sold Separately)

Item #	Description	Sold In	Box Qty
A	KNGFLD-LH Left Hand Locking Device for KNGUM Series	Each	270
B	KNGFLD-RH Right Hand Locking Device for KNGUM Series	Each	270
C	KNGUM-RB Rear Mounting Bracket	Each	870

A  
B  
C  
D  
E  
F  
G  
H  
I  
J  
K  
L  
M  
N  
O  
P  
Q  
R  
S  
T  
U  
V  
W  
X  
Y

**A KV MUV+ UNDERMOUNT DRAWER SLIDES**

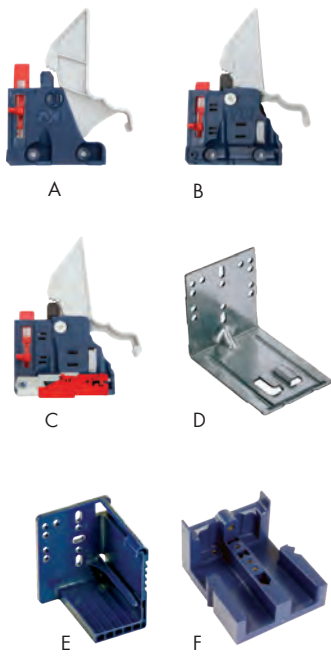


**Soft-Close Undermount Slides with Optional 2-D & 3-D Adjustment**

- Redesigned pivoting latch increases dampening for a quieter close
- Soft-close module allows pull-force adjustment to maintain smooth operation
- Three release levers allow adjustments on installed drawers
- Bottom mounting holes for flat-surface mounting
- Load rating: MUV+ - 75 lbs



Size	1/2" to 5/8" Thick Drawer Material Item #	Box Qty
18"	KVMUVP-18B	6
21"	KVMUVP-21B	6



KV MUV+ Accessories		
Item #	Description	Box Qty
A	KVMUVRL-1D Up/Down Height Adjustment Release Lever	60
B	KVMUVRL-2D Up/Down Height, Side-to-Side Adjustment Release Lever	24
C	KVMUVRL-3D Up/Down Height, Side-to-Side Adjustment, In/Out Adj Release Lever	12
D	KVMUVRBM Rear Mounting Bracket for Lengths 14" and Up	12
E	KVMUVRBP Rear Mounting Bracket for 9", 10", and 12"	8
F	KVMUV-124B Drilling Jig	1

## KV SAMET UNDERMOUNT DRAWER SLIDES

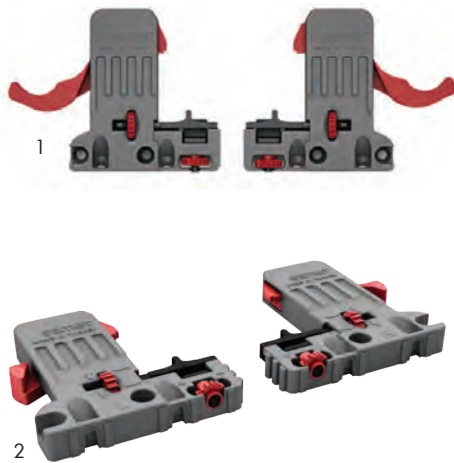


### Samet Full Extension Undermount Smart Slides w/Soft-Close



- Soft close system with adaptive damping
- Full extension with synchronization travel
- 1/2" (12mm) to 5/8" (16mm) drawer thickness
- 2D (4-way) adjustable front locking devices
- Height adjustment: +/- 3/32" (2mm)
- Side-to-side adjustment: +/- 1/16" (1.5mm)
- Exceeds ANSI/BHMA A156.9-2010 technical specifications

Item #	Description	Box Qty
KVSUNDM-09B	9" Length, Smart Slide Full Fit Power Soft-Close	6
KVSUNDM-12B	12" Length, Smart Slide Full Fit Power Soft-Close	6
KVSUNDM-15B	15" Length, Smart Slide Full Fit Power Soft-Close	6
KVSUNDM-18B	18" Length, Smart Slide Full Fit Power Soft-Close	6
KVSUNDM-21B	21" Length, Smart Slide Full Fit Power Soft-Close	6



### Samet Smart Front Locking Devices



- 2D (4-Way) Micro Roller Adjustable
- Height adjustment +/- 3/32" (2 mm)
- Side-to-side adjustment +/- 1/16" (1.5 mm)

Item #	Description	Box Qty	
1	KVSUNDM-2DL	Left Hand Standard Front Locking Device	120
	KVSUNDM-2DR	Right Hand Standard Front Locking Device	120
2	KVSUNDM-2DNL	Narrow Left Hand Standard Front Locking Device	120
	KVSUNDM-2DNR	Narrow Right Hand Standard Front Locking Device	120



### Samet Screw-On Rear Mounting Bracket



- Metal rear mounting bracket for all KV Samet undermount drawer slides

Item #	Description	Box Qty
KVSUNDM-RB	Rear Mounting Bracket	180

A  
B  
C  
D  
E  
F  
G  
H  
I  
J  
K  
L  
M  
N  
O  
P  
Q  
R  
S  
T  
U  
V  
W  
X  
Y

**A KV G-SLIDE SOFT-CLOSE UNDERMOUNT DRAWER SLIDES**

B  
C  
D  
E  
F  
G  
H  
I  
J  
K  
L  
M  
N  
O  
P  
Q  
R  
S  
T  
U  
V  
W  
X  
Y

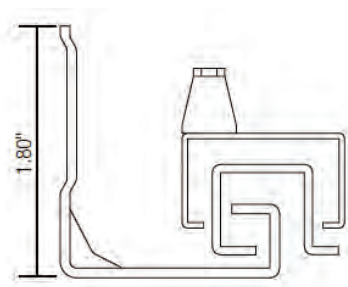


**G-Slide 2070B Full Extension Undermount Drawer Slides**

- For use with drawer material thickness from 1/2" to 5/8"
- 32mm hole pattern matches existing industry standards
- Full extension travel
- Mounting: Undermount
- Action: Telescopic action
- Load Rating: 75 lb. class
- Height: 1.80" [45.7mm]
- Finish: Zinc (ZC)



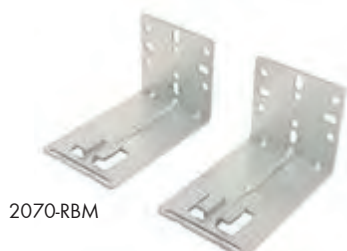
G-Slide 2070B Full Extension Slides		
Length	Item #	Box Qty
9"	KVGS2070-09B	6
12"	KVGS2070-12B	6
15"	KVGS2070-15B	6
18"	KVGS2070-18B	6
21"	KVGS2070-21B	6



**Front Release Levers**

- + 1/8" (3mm) height adjustment
- +/- 1/16" (1.5mm) side-to-side adjustment

Item #	Description	Box Qty
KVGS2070-2D-RL	Left/Right Set of Front Release Levers	30



2070-RBM

**Mounting Brackets**

Item #	Description	Box Qty
KVGS2070-RBM	Metal rear mounting brackets	60
KVGS2070-RBP	Plastic rear mounting brackets	60



2070-RBP



**SALICE FUTURA UNDERMOUNT DRAWER SLIDES**

**SALICE**

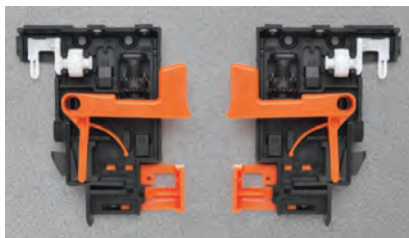
**Futura Full Extension Undermount Slides For up to 5/8" Drawer Material**



- Full extension
- Load capacity: 100 lbs static, 75 lbs dynamic
- For 16mm (5/8") max drawer material

Soft-Close		
Item #	Length	Box Qty
SALA7555/229-CP6	9"	6
SALA7555/305-CP6	12"	6
SALA7555/381-CP6	15"	6
SALA7555/457-CP6	18"	6
SALA7555/533-CP6	21"	6

Push-To-Open		
Item #	Length	Box Qty
SALA7557-12B	12"	6
SALA7557-15B	15"	6
SALA7557-18B	18"	6
SALA7557-21B	21"	6



**Locking Device, 6-Way Adjustable**

- For all Futura drawer slides

Item #	Description	Box Qty
SALA750.010	Left and Right 6-Way Front Locking Devices	100 Pairs



**Locking Device, Standard Mount w/Vertical Adjustment**

- For all Futura drawer slides

Item #	Description	Box Qty
SALA710.610	Left and Right Standard Front Locking Device	100 Pairs



**Standard Screw-On Bracket**

- For all Futura drawer slides

Item #	Description	Box Qty
SALAGSKXC5	Rear Mounting Bracket	100

A  
B  
C  
D  
E  
F  
G  
H  
I  
J  
K  
L  
M  
N  
O  
P  
Q  
R  
S  
T  
U  
V  
W  
X  
Y

**A SALICE F70 SMOVE UNDERMOUNT DRAWER SLIDES**



**F70 Smove Series w/Soft-Close  
Face Frame or Frameless Application**

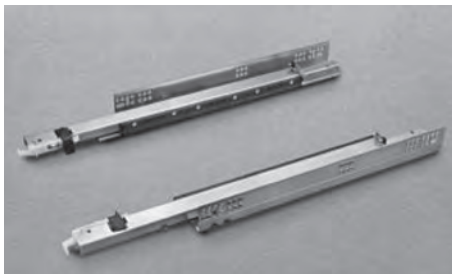
**SALICE**

- Full extension slide for 1/2" (12mm) to 5/8" (16mm) drawer thickness
- Smove: soft-close mechanism fully integrated into the slide
- 150 Lbs Dynamic, 170 Lbs Static load capacity
- Elongated holes for depth and height adjustment
- Adj. clips allow for easy drawer insertion/removal; special clip for narrow drawers
- Integrated tool free height adjustments + 2.5 mm
- Tool free depth adjustments +/- 3 mm
- Tool free side adjustments +/- 1.5 mm
- Optional tool free tilt adjustment +3 mm
- 100% Made in Italy

NOTE: any load over 75 Lbs requires a filler in addition to rear sockets.

Item #	Length	Box Qty
SALF70FFSC-15B	15"	6
SALF70FFSC-18B	18"	6
SALF70FFSC-21B	21"	6

B  
C  
D  
E  
F  
G  
H  
I  
J  
K  
L  
M  
N  
O  
P  
Q  
R  
S  
T  
U  
V  
W  
X  
Y



**F70 Smove Series w/Soft-Close  
Frameless Application**

**SALICE**

- Full extension slide for 1/2" (12mm) to 5/8" (16mm) drawer thickness
- Smove: soft-close mechanism fully integrated into the slide
- 150 Lbs Dynamic, 170 Lbs Static load capacity
- Elongated holes for depth and height adjustment
- Adj. clips allow for easy drawer insertion/removal; special clip for narrow drawers
- Integrated tool free height adjustments + 2.5 mm
- Tool free depth adjustments +/- 3 mm
- Tool free side adjustments +/- 1.5 mm
- Optional tool free tilt adjustment +3 mm
- Can be used for face frame application with block out
- 100% Made in Italy

Item #	Length	Box Qty
SALF70FLSC-18B	18"	6
SALF70FLSC-21B	21"	6
SALF70FLSC-24B	24"	4
SALF70FLSC-27B	27"	4
SALF70FLSC-30B	30"	4

**SALICE F70 PUSH UNDERMOUNT DRAWER SLIDES**

A  
B  
C  
D  
**E**  
F  
G  
H  
I  
J  
K  
L  
M  
N  
O  
P  
Q  
R  
S  
T  
U  
V  
W  
X  
Y



**F70 Push Series w/ Push To Open Face Frame or Frameless Application**

**SALICE**

- Full extension slide for 1/2" (12mm) to 5/8" (16mm) drawer thickness
- Push: opening system for handle-less drawers, fully integrated into the slide
- Slight pressure of the drawer front is enough for the drawer to open
- 150 Lbs Dynamic, 170 Lbs Static load capacity
- Integrated Push opening system
- Elongated holes for depth and height adjustment
- Adj. clips allow for easy drawer insertion/removal; special clip for narrow drawers
- The drawer is latched when closed
- Integrated tool free height adjustments + 2.5 mm
- Tool free depth adjustments +/- 3 mm
- Tool free side adjustments +/- 1.5 mm
- Optional: tool free tilt adjustment +3 mm or F70 Push Synchronizer
- 100% Made in Italy

NOTE: any load over 75 Lbs requires a filler in addition to rear sockets.

Item #	Length	Box Qty
SALF70FFPO-15B	15"	6
SALF70FFPO-18B	18"	6
SALF70FFPO-21B	21"	6



**F70 Push Series w/ Push To Open Frameless Application**

**SALICE**

- Full extension slide for 1/2" (12mm) to 5/8" (16mm) drawer thickness
- Smove: soft-close mechanism fully integrated into the slide
- 150 Lbs Dynamic, 170 Lbs Static load capacity
- Elongated holes for depth and height adjustment
- Adj. clips allow for easy drawer insertion/removal; special clip for narrow drawers
- Integrated tool free height adjustments + 2.5 mm
- Tool free depth adjustments +/- 3 mm
- Tool free side adjustments +/- 1.5 mm
- Optional tool free tilt adjustment +3 mm
- Can be used for face frame application with block out
- 100% Made in Italy

Item #	Length	Box Qty
SALF70FLPO-18B	18"	6
SALF70FLPO-21B	21"	6
SALF70FLPO-24B	24"	4
SALF70FLPO-27B	27"	4
SALF70FLPO-30B	30"	4

**A SALICE F70 PUSH SYNCHRONIZER & FRONT LOCKING DEVICES**

B  
C  
D  
E  
F  
G  
H  
I  
J  
K  
L  
M  
N  
O  
P  
Q  
R  
S  
T  
U  
V  
W  
X  
Y



**Locking Device, Standard Mount**

**SALICE**

- Dual steel/plastic construction
- For all F70 runner versions
- Tool free lateral and depth adjustments
- Pre-drilling recommended  $\varnothing$  2.5 mm (3/32")

Item #	Description	Box Qty
SALF70CLIP-SLR	Right & Left 4-Way Adjustable Locking Devices, (Left/Right & In/Out)	100



**Locking Device, Vertical Mount**

**SALICE**

- Dual steel/plastic construction
- For all F70 runner versions
- Tool free lateral and depth adjustment
- Overhang must be 13 mm (1/2")
- Pre-drilling recommended  $\varnothing$  2.5 mm (3/32")

Item #	Description	Box Qty
SALF70CLIP-VLR	Right & Left 4-Way Adjustable Locking Devices, (Left/Right & In/Out)	100



**Narrow Drawer Clip**

**SALICE**

- For use with narrow drawers
- For all F70 runner versions
- Overhang must be 13 mm (1/2")
- Pre-drilling recommended  $\varnothing$  2.5 mm (3/32")

Item #	Description	Box Qty
SALF70CLIP-NLR	Narrow Front Locking Devices	100



**F70 Push Synchronizer Kit**

**SALICE**

- Frameless or blocked out face frame applications
- Smooth running action
- Load capacity of the slides remains unchanged
- Available on all F70 drawer lengths
- Minimum opening (X) = 11.0236" (280 mm)
- Maximum opening (X) = 51.3779" (1305 mm)
- Bar length = 45.2755" (1150mm) cut to size
- Kit Includes: (1) stabilizer bar, (2) driver pins & (2) carrier plates

Item #	Description	Box Qty
SALF70-SYNC	F70 Push Synchronizer Kit	20

**SALICE F70 ACCESSORIES**



**Standard Screw-On Bracket**

**SALICE**

- For F70 full extension slides, non-handed
- Lateral self-alignment feature
- One piece stamped steel, zinc-coated

Item #	Description	Box Qty
SALF70-SRB	2"W Steel Rear Bracket	100

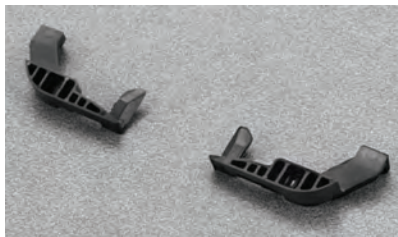


**Narrow Screw-On Bracket**

**SALICE**

- For F70 full extension runners, non-handed
- Lateral self-alignment feature
- One piece stamped steel, zinc-coated
- Use a minimum of 4 screws per socket

Item #	Description	Box Qty
SALF70-NRB	1-1/2"W Steel Rear Bracket	100



**Tilt Adjustment Lever**

**SALICE**

- Left and right levers
- For all F70 runner versions

Item #	Description	Box Qty
SALF70TILT-LR	Tilt Adjustment Left & Right Levers with 3mm Tilt	12



**Side Spacer**

**SALICE**

- Spaces out F70 slides for clearance on interior roll-outs

Item #	Description	Box Qty
SALASPACERFUT	1" Side Spacer for Undermount Slides	100



**Drilling Templates for Drawers**

**SALICE**

- Template for F70 slides
- Correct and level mounting assures a smooth assembly of the drawer slide

Item #	Description	Box Qty
SALSGD704UGXA	Drilling Template for Drawers	1

A  
B  
C  
D  
E  
F  
G  
H  
I  
J  
K  
L  
M  
N  
O  
P  
Q  
R  
S  
T  
U  
V  
W  
X  
Y

**A SLIDE BRACKETS**



**Rear Epoxy Slide Brackets  
Top & Bottom Mount Adapter Brackets**



- Drawer slide adapter bracket allows for easy installation of pull out shelves, silverware drawers or pencil drawers without the use of side panels
- Brackets are non-handed and can be used left or right with white finish  
Bracket is held to the slide with 6-32 machine screws with lock nuts (supplied)
- Includes: (4) brackets per bag with 4 #6-32 x 1/2" machine screws, 4 #6-32 locking nuts

<b>Item #</b>
G00432-08

B  
C  
D  
E  
F  
G  
H  
I  
J  
K  
L  
M  
N  
O  
P  
Q  
R  
S  
T  
U  
V  
W  
X  
Y

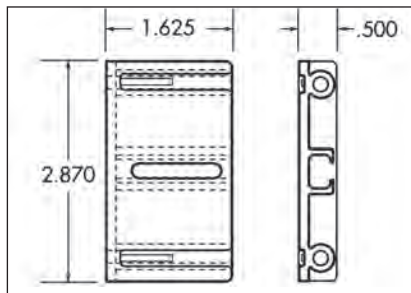


**Inset Drawer Brackets  
Universal Undermount Bracket Kit**



- Gray ABS plastic bracket provides 1/2" back and forth adjustment of undermount slides
- Bracket requires only 1/2" face frame offset
- Packing: Kit includes: (1) pair of universal inset brackets, (2) #8 - 32 x 1/2" machine screws to fasten slide to bracket and (4) #7 x 2" washer head combo screws to attach brackets to face frame

<b>Item #</b>
TNTB394



**SLIDE BRACKETS**



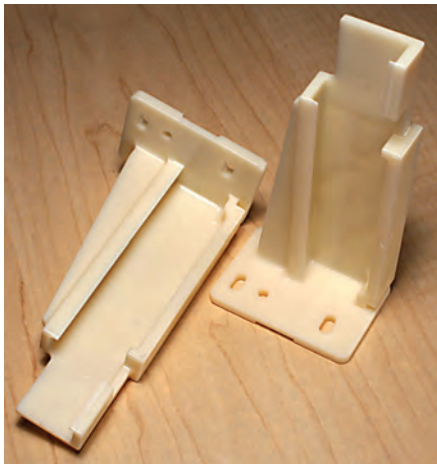
**Rear Undermount Slide Brackets, Screw-On**



- Works with most full extension undermount slides
- Simply screw on cabinet back
- Over 17mm of side to side adjustment
- Allows slide to be pushed all the way to the back panel

Item #	Sold-In
TNTC280-02	Per Each

A  
B  
C  
D  
E  
F  
G  
H  
I  
J  
K  
L  
M  
N  
O  
P  
Q  
R  
S  
T  
U  
V  
W  
X  
Y



**Rear Side Mount Slide Brackets, Screw-On**



- Works with many generic self-closing epoxy side mount slides
- Made from strong ABS polymer, perform well in hot or cold environments
- 1 left and 1 right are normally required per drawer

**NOTE: A trail mounting is strongly suggested.**

Item #	Description	Sold-In
TNTC302-02	Left Bracket	Per Each
TNTC302-03	Right Bracket	Per Each



**Rear Ball Bearing Slide Brackets, Screw-On**



- For Hettich 5632, PRO 100
- Simply screw on cabinet back
- 1 left and 1 right are normally required per drawer

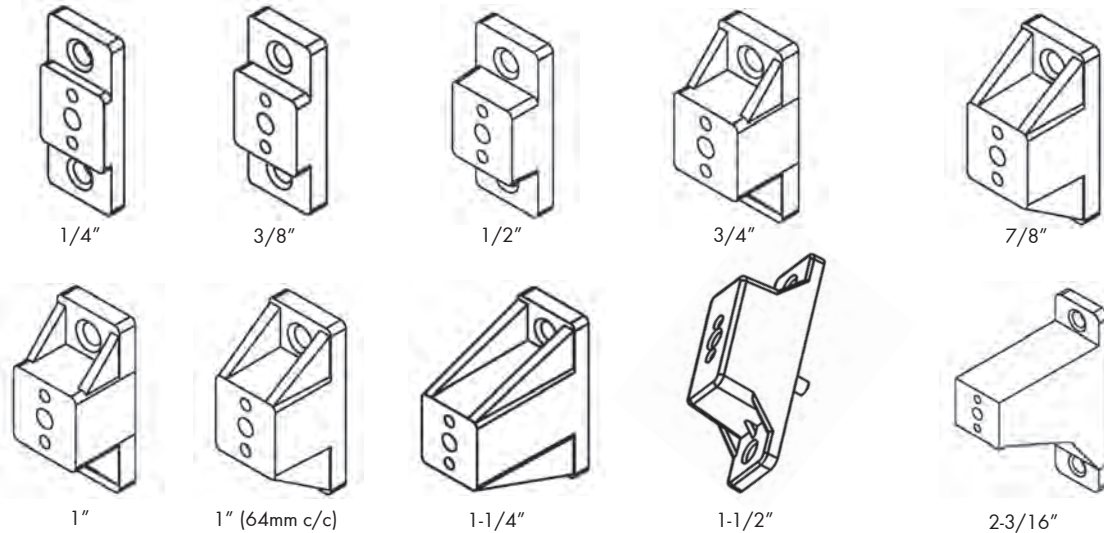
Item #	Description	Sold-In
TNTC603	Left Bracket	Per Each
TNTC603-01	Right Bracket	Per Each



**A DRAWER SLIDE SPACERS**

**Drawer Slide Spacers**

- For use with any drawer slides, used to clear face frames
- Spacers are available in depths from 1/4" to 2-3/16" and in white and almond colors
- Spacers have two cabinet mounting holes spaced 32mm apart and one center euro screw to mount the drawer slide to the spacer
- Item #BA3616 has cabinet mounting holes that are 64mm apart



Spacer Depth	White Item # - Sold In 50 Per Pack	White Item # - Sold In Each	Almond Item # - Sold In Each	Black Item # - Sold In Each
1/4"	-	BA3606-WH	BA3606-AL	BA3606-BK
3/8"	-	BA3605-WH	BA3605-AL	BA3605-BK
1/2"	BA3600-WHP	BA3600-WH	BA3600-AL	BA3600-BK
3/4"	BA3682-WH	-	-	BA3682-BK
7/8"	-	BA3607-WH	BA3607-AL	BA3607-BK
1"	BA3602-WHP	BA3602-WH	BA3602-AL	BA3602-BK
1" (64mm c/c)	BA3616-WHP	-	BA3616-AL	-
1-1/4"	BA3604-WHP	BA3604-WH	BA3604-AL	BA3604-BK
1-1/2"	BA3608-WHP	BA3675-WH	BA3675-AL	BA3675-BK
2-3/16"	-	BA3613-WH	BA3613-AL	-



**Miller FastBlock, Adjustable Spacer**



- For roll outs and soft close slides, this spacer adjusts to a perfect fit
- Sliding block accepts a euro screw in front or can be flipped around to use with slide screws
- Up and down adjustment of 3/16"; in and out adjustment 5/8" (flat) to 1" extended
- Load rating of 100 lb.

Item #	Color	Pack Qty
FCMILLERFB-2	White	2 Each
FCMILLERFB-100	White	100 Each



## DRAWER BUMPERS/STOPS



### Undermount Drawer Slide Spacer 1-1/4"

- Made of plastic
- Size: 1-1/4"H x 5/8"L



Item #	Description	Finish	Unit of Measure	Box Qty
BA3633ACS-32	Undermount Drawer Slide Spacer	Silver	Box	100



### Drawer Bumpers

- Attaches to side of wooden pullout. For inset pullout trays for frame or frameless cabinetry
- Protects the inside of doors from damage when pullouts are used
- Quick and easy installation



Item #
G13096



### Drawer Bumpers, PSA Adhered

- Protects doors from being unintentionally marred from drawer pull-outs
- Can be applied with supplied PSA backing or screwed in, or both
- Convenient to apply on the job site



Item #	Description	Pack Qty
FCDWRBMPR	Drawer Bumper, White	10



### Inset Door Stops, Adjustable

- Constructed of soft rubber
- Door stops are .575" in diameter and .3125" tall
- Off center screw hole allows door stop to be rotated to varied distances from door



Item #	Color	Pack Qty
<b>Without Screws</b>		
FCEDS-BN	Dark Brown	10
FCEDS-CL	Clear	10
FCEDS-WH	White	10
<b>With Screws</b>		
FCEDS-BNWS	Dark Brown	10
FCEDS-CLWS	Clear	10
FCEDS-WHWS	White	10
<b>Bulk, Without Screws</b>		
FCEDS-BN100	Dark Brown	100
FCEDS-CL100	Clear	100
FCEDS-WH100	White	100

A  
B  
C  
D  
E  
F  
G  
H  
I  
J  
K  
L  
M  
N  
O  
P  
Q  
R  
S  
T  
U  
V  
W  
X  
Y

**A FILE DRAWER FRAME SYSTEMS**



**Side Mount Pull-Out File Drawer Frame System**



- Able to hold either letter or legal folders
- Includes side mounted full-extension ball bearing slides and door mount brackets
- Designed to fit 18" base cabinets with a 1-1/2" face frame

Item #	Description	Dimensions
RVRAS-FDSM-DM15	15" W Side Mounted File Drawer	15"W X 17.75"D X 10.5"H

B  
C  
D  
E  
F  
G  
H  
I  
J  
K  
L  
M  
N  
O  
P  
Q  
R  
S  
T  
U  
V  
W  
X  
Y

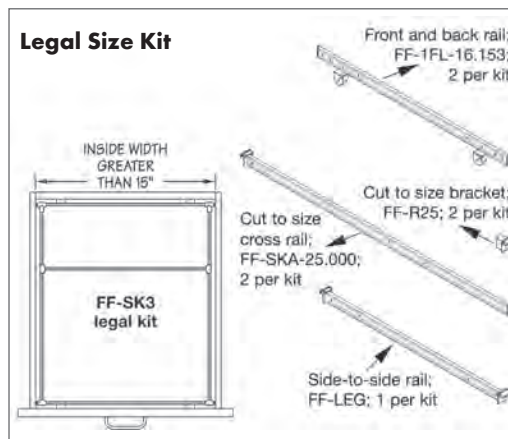
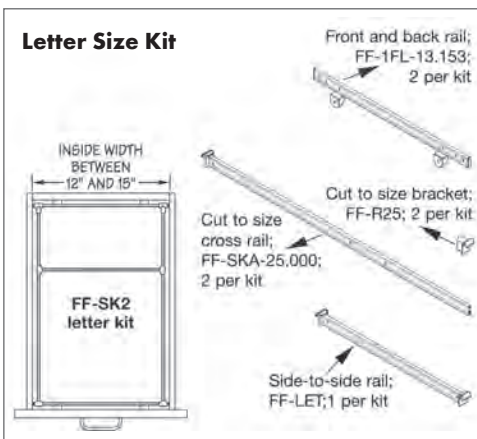


**File Drawer Frame System Pendaflex Letter Size and Legal Size Kits**



- Available in two sizes: legal and letter size
- The letter size kit includes: (2) 13-1/8"L front and rear rail brackets designed to screw mount into the front/back of the drawer box, (2) 25"L front to back side rails, (1) 12"L side-to-side rail and two clips designed to be used with the front-to-back side rail
- The legal size kit includes: (2) 16-1/8"L front and rear rail bracket designed to screw mount into the front/back of the cabinet, (2) 25"L front to back side rails, (1) 15"L side-to-side rail and (2) clips designed to be used with the front-to-back side rail
- Easy to install:
  - Step 1) Screw the front and rear rail brackets into the drawer box
  - Step 2) Cut to length (with a hacksaw) the side rails which snap onto the front and rear rail brackets
  - Step 3) Snap center rail into place
- Made of metal with a black finish. Finish is guaranteed to withstand 50,000 cycles with no paint wear or other degradation

Item #	File Drawer Type	Color
TMFFSK2	Letter Kit System	Black
TMFFSK2-W	Letter Kit System	White
TMFFSK3	Legal Kit System	Black



**FILE DRAWER FRAME SYSTEMS**

A  
B  
C  
D  
E  
F  
G  
H  
I  
J  
K  
L  
M  
N  
O  
P  
Q  
R  
S  
T  
U  
V  
W  
X  
Y



**File Drawer System  
Two Tier, For 18" W Base  
Cabinets**



- Full extension 100 lb. rated ball bearing slides are mounted to a heavy duty metal frame, chrome finish
- The frame has a telescoping rear bracket that allows the frame to be securely fastened to cabinets with a depth range of 19-3/4" to 24"
- Frame requires a minimum cabinet opening of 14-1/2"W x 20-1/2" H

Item #	Dimensions
RVRAS-FD-KIT	14-3/4" W x 19-3/4" - 24" D x 22-5/8" H



**File Drawer Systems**



- Black metal frame kit that includes:  
Front-to-back/left and right frame corner connectors to secure frame to wood front and back drawer and cross T-rod
- Designed for 18" and 21" base cabinets

Item #	Dimensions
RVRAS-SMFD	Letter Size 13" W x 19-1/4" L x 9-3/4" H
RVRAS-LGFD	Legal Size 15-7/8" W x 19-1/4" L x 9-3/4" H

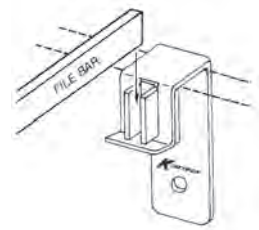
**A FILE DRAWER FRAME SYSTEMS**

**B Pendaflex Brackets & Hanger Rail**

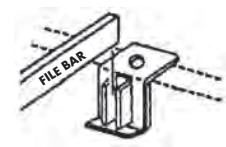


Pendaflex brackets are constructed of 16 gauge steel, are designed to affix 1/8" thick file rail and are available in four fastening varieties:

- Pendaflex hanger rail is constructed of 1/8" thick aluminum flat stock



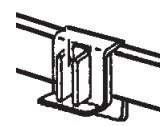
**A** - Designed to affix to the top of the drawer box side and fasten (via screw) to outside of drawer box. This brackets come in (2) finishes and (3) drawer box thicknesses.



**B** - Designed to fasten to the top of the drawer box and be screwed into the top of the drawer side material.



**C** - Designed to be flush/surface mounted to interior of the drawer box side/front/back material.

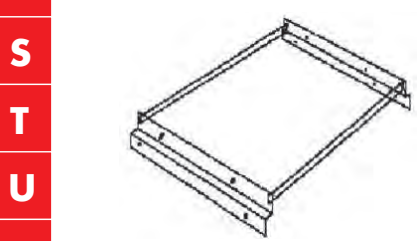


**D** - Designed to mount to 1/8" thick pendeflex rail and affix 1/8" pendeflex cross bar.



	Item #	Description	Bracket Style	Finish	Sold In
A	KIKHFB	Pendaflex Steel Brackets	Side Mount For 1/2" Thick Drawer Sides	Zinc	Per Each
	KIKHFBBLK	Pendaflex Steel Brackets	Side Mount For 1/2" Thick Drawer Sides	Black	Per Each
	KIKHFB58ZC	Pendaflex Steel Brackets	Side Mount For 5/8" Thick Drawer Sides	Zinc	Per Each
B	KIKHFBTMZC	Pendaflex Steel Brackets	Top Mount	Zinc	Per Each
C	KIKHFMBZC	Pendaflex Steel Brackets	Flush Mount	Zinc	Per Each
D	KIKHFBSS18ZC	Pendaflex Steel Brackets	Cross Bar Mount	Zinc	Per Each

	Item #	Description	Size	Finish	Sold In
E	KICFB22ALU	Pendaflex Aluminum Hanger Rail	1/8"Thick x 5/8"H x 22"L	Aluminum	Per Each
	KICFB60ALU	Pendaflex Aluminum Hanger Rail	1/8"Thick x 5/8"H x 60"L	Aluminum	Per Each



**L-Shaped Hanging File Rail**

- Made of aluminum, walls .125" thick
- Locating tab for easy installation on top of drawer sides



Item #	Dimensions	Finish	Sold In
PR6063-22AM	1/2"W x 1/2"H x 21"L	Aluminum	Per Each
PR6063-8AM	1/2"W x 1/2"H x 96"L	Aluminum	Per Each



**Hanging File Rail**

- Made of aluminum



Item #	Dimensions	Finish	Sold In
PR2126-144AM	1/8"W x 3/4"H x 144"L	Aluminum	Per Each

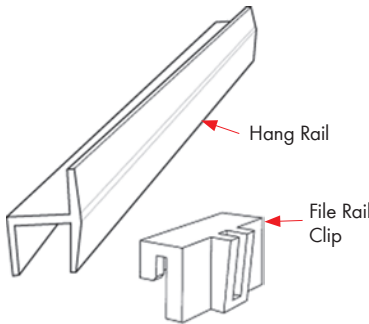
## HANGING FILE RAIL SYSTEMS



### Plastic Rails

- Plastic hanging rail is designed to snap onto the top of 1/2" or 5/8" thick drawer sides and remain snugly in place
- Made of black plastic, available in length of 98-1/2", and is easy to cut to needed lengths
- File rail clips mount to hang rail and allow for a standard 1/8" thick bar stock to cross from drawer side-to-side

Item #	Description	Finish
CPF-312501	98-1/2"L Hang Rail for 1/2" thick drawer sides material	White
CPF-580FR	98-1/2"L Hang Rail fo 5/8" thick drawer sides material	Black
CPF-581FR	98-1/2"L Hang Rail fo 5/8" thick drawer sides material	White



Item #	Description	Bag Qty
CPF-900K	File Rail Clip	100



### Hanging File Rail

- Snap on railing for 1/2" drawer side material
- No tools required to mount to drawer
- Easily cuts to length



Item #	Color	Size	Sold In
KP2309BK	Black	1/2" x 8' Length	Per Each
KP2309WH	White	1/2" x 8' Length	Per Each



### Hanging File Clip

- Snap onto railing
- No tools required to mount



Item #	Color	Sold In
KPFCBK	Black	Per Each

**A DRAWER FRONT MOUNTING BRACKETS & ADJUSTERS**

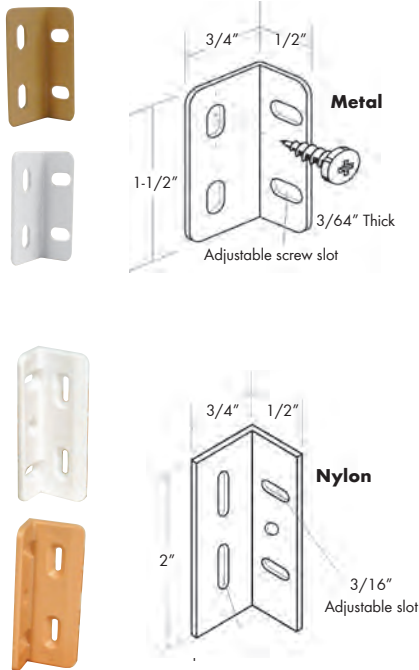


**Kolbe Korner Drawer Front Mounting Brackets**

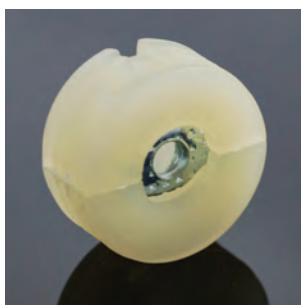


- Gives you the ability to adjust drawer fronts both horizontally and vertically, no need for drawer front adjusters
- Quick and easy mounting of shaker and other style drawer fronts
- Nylon brackets include screws and covers

Description	Box Qty	Item #	Box Qty	Item #
<b>Standard - 3/4" Leg</b>				
Metal, Aluminum	50	FCKK50ALUM	-	-
Metal, Tan	50	FCMCK50TN	500	FCMCK500TAN
Metal, White	50	FCMCK50WH	500	FCMCK500WHITE
Nylon, Black	50	FCKK50BL	500	FCKK500BL
Nylon, Clear Maple	50	FCKK50CM	500	FCKK500CM
Nylon, Light Maple	50	FCKK50LM	500	FCKK500LM
Nylon, White	50	FCKK50WH	500	FCKK500WH
<b>Extended - 1-1/8" Leg</b>				
Metal, Tan	50	FCKK50LONGTN	-	-
Metal, White	50	FCKK50LONGWH	-	-
<b>Screw Packs</b>				
Screw & Caps, Tan	50	FCMK50SCRTAN	-	-
Screw & Caps, White	50	FCMKK50SCRWH	-	-



A  
B  
C  
D  
E  
F  
G  
H  
I  
J  
K  
L  
M  
N  
O  
P  
Q  
R  
S  
T  
U  
V  
W  
X  
Y



**Drawer Front Adjusters**



- Instead of removing the drawer repeatedly to move the adjustment screw in the slides, the adjusting is done by moving the drawer front itself
- Also allows all of the slide screws to be installed at the shop, not the job site. The fitting allows about 1/4" of movement up or down and left or right. The reverse barb design of the cam provides a tight fit and retards the chance of the cam pulling out
- Material: Nylon cam with steel threaded "floating" insert
- Specifications: 20mm diameter - The cam accepts #8 -32 thread machine screws. The length is dependent on the thickness of the sub-front and the drawer front

Item #	Description	Box Qty
PT16-9234-50WH	Adjusters	50
PT16-9234-250WH	Adjusters	250
PT16-9234-000	Adjusters	1000

**DRAWER PUSHERS, LABEL HOLDERS & INDEX FOLLOWERS**

A  
B  
C  
D  
**E**  
F  
G  
H  
I  
J  
K  
L  
M  
N  
O  
P  
Q  
R  
S  
T  
U  
V  
W  
X  
Y



**Flexa-Touch Drawer Pushers**

- “Flush” drawers can be installed with no visible hardware using this pusher
- Push drawer in 1/8” and it pops open
- Mount either on the back of the drawer or through the back of the drawer (1” hole required)
- Adjustment 7/8” with 2-1/8” minimum to 3” maximum
- Includes: Screws and instructions



<b>Item #</b>
BA1021

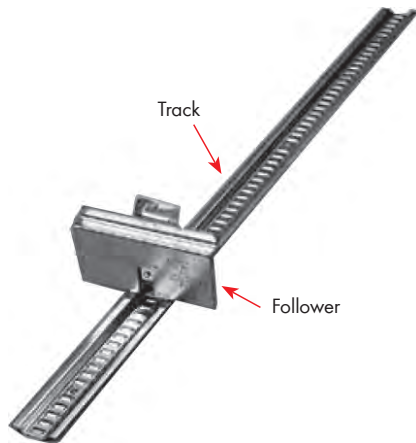


**Label Holders**

- Model: KV701/704
- Made of steel with anochrome finish
- Fastened by three screws per holders, screws included



Item #	Card Size	Overall Holder Size
KV701-ANO	2” x 1”	2-5/8 x 1-7/16
KV704-ANO	2-15/16” x 1-1/2”	3-1/2 X 1-3/4



**Index Followers and Tracks**

- Model: KV475/476 series
- Made of steel with anochrome finish
- Used to keep papers or files to the front of a drawer
- Followers come in two sizes:
  - Small for library cards, index cards or service cards
  - Large for file drawers
- Bottom track can be surfaced or recessed mounted
- Track can be cut to length



NOTE: Order follower and track separately.

Item #	Description	Follower Size
KV475F-ZC	Follower Small	4-3/4” Wide x 2-3/4” High from Track
KV476F-ZC	Follower Large	10-3/4” Wide x 7-5/8” High from Track
KV476T-ZC	Track	Track Length 26”

**A DRAWER FRONT ADJUSTERS & SCREWS**

B  
C  
D  
E  
F  
G  
H  
I  
J  
K  
L  
M  
N  
O  
P  
Q  
R  
S  
T  
U  
V  
W  
X  
Y

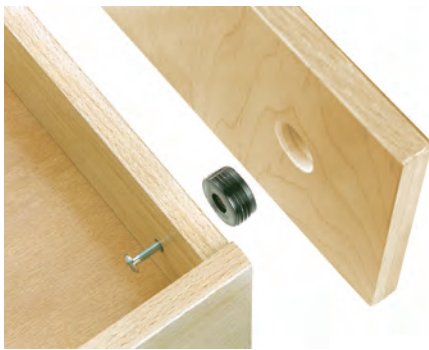


**Drawer Front Adjuster**

- This adjuster allows perfect false front alignment featuring 360° of movement for any applied false front drawer face
- One part drawer front adjusting fitting fits into a 25mm dia. hole in the drawer front
- Does not include a screw

**Titus**

Item #	Description	Box Qty
TI6309K	Drawer front adjuster	2,500

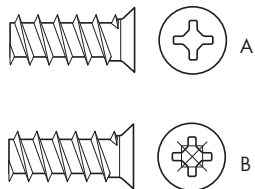
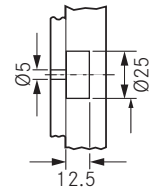


**Drawer Front Adjusters**

- For precise drawer front alignment
- Includes 4 x 22mm screw

**G\*GRASS®**

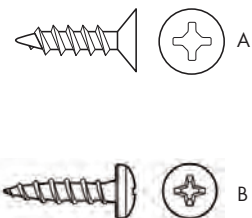
Item #	Box Qty
G351.002.01.2662	200



**Euro Screws, Nickel-Plated**

**G\*GRASS®**

	Item #	Description	Box Qty
A	G83001-43	7.5mm Euro Screw (5/16")	500
	G81015	13mm Euro Screw (1/2")	500
	G83000	18mm Euro Screw (1 1/16")	500
B	G499.360.61.1015	Euro Screw 11mm (7/16") Pozi	500



**Wood Screws, Nickel-Plated**

**G\*GRASS®**

	Item #	Description	Box Qty
A	G81014-43	Wood Screw No. 6 X 1/2" FHP, Nickel	500
	G81001-43	Wood Screw No. 6 X 5/8" FHP, Nickel	500
	G6X34FHNI	Wood Screw No. 6 X 3/4" FHP, Nickel	500
B	G81007-43	Wood Screw No. 10 X 3/4" PHP, Nickel	500

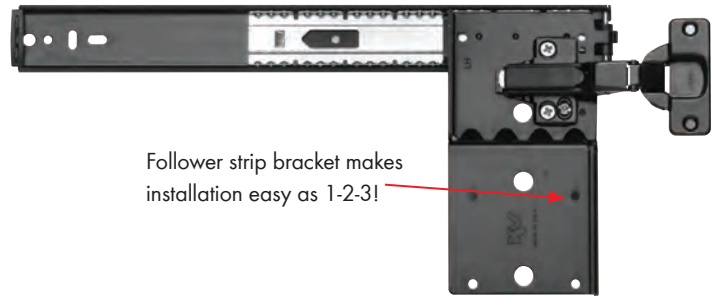


**POCKET DOOR SLIDES**

**KV Pivot Door Slides 8070/8071/8072**



- 8070: 3/4 extension slide with self-close 35mm inset hinge and baseplate
- 8071: 3/4 extension slide without hinge and baseplate
- 8072: 3/4 extension slide with included hinge baseplate
- Cabinet acts as installation jig
- Cushioned stops and door hold-out
- Mounting: Side
- Action: Ball-bearing movement
- Load Rating: 30 lb. class
- Maximum Dimensions:
  - Vertical doors: 42" high x 24" wide
  - Horizontal pivot doors: 24" high x 48" wide
- Packaged 1 pair per bag with screws



8070EZ Ebony Black		8071EZ Ebony Black		8072EZ Ebony Black	
Includes standard inset hinge and baseplate		Hinges and baseplates are not included		Baseplate included; must order hinges separately	
Size	Item #	Size	Item #	Size	Item #
12"	KV8070-12BK	12"	KV8071-12BK	12"	KV8072-12BK
14"	KV8070-14BK	14"	KV8071-14BK	14"	KV8072-14BK
16"	KV8070-16BK	16"	KV8071-16BK	16"	KV8072-16BK
18"	KV8070-18BK	18"	KV8071-18BK	18"	KV8072-18BK
20"	KV8070-20BK	20"	KV8071-20BK	20"	KV8072-20BK
22"	KV8070-22BK	22"	KV8071-22BK	22"	KV8072-22BK
24"	KV8070-24BK	24"	KV8071-24BK	24"	KV8072-24BK



**Hinge Kit Options**

- Packaged 2 hinges per kit

Item #	Hinge Cup Size	Door Thickness	Application
<b>Ebony Black Hinges</b>			
KV8080H-EZS-BK	35mm	3/4"	Inset
KV8080H-EZL-BK	40mm	3/4"	Overlay
KV8080-HKEZF	35mm	3/4"	Inset - Free Swing



**KV 8090P CR Raised Panel Cassette Roller**

- Additional protection for raised panel doors
- Packaged 1 per polypack with screws

Item #
KV8090P-CR

A  
B  
C  
D  
E  
F  
G  
H  
I  
J  
K  
L  
M  
N  
O  
P  
Q  
R  
S  
T  
U  
V  
W  
X  
Y

A  
B  
C  
D  
E  
F  
G  
H  
I  
J  
K  
L  
M  
N  
O  
P  
Q  
R  
S  
T  
U  
V  
W  
X  
Y

**POCKET DOOR SLIDES**



**KV Pivot Door Slides, 8080/8081/8082**

- 8080: 3/4 extension slide with self-close 35mm inset hinge and baseplate
- 8081: 3/4 extension slide without hinge and baseplate
- 8082: 3/4 extension slide with attached hinge baseplate
- Cushioned stops and door hold-out
- Mounting: Side
- Action: Ball-bearing movement
- Load Rating: 30 lb. class
- Maximum Dimensions:
  - Vertical doors: 42" high x 24" wide
  - Horizontal pivot doors: 24" high x 48" wide
- Packaged 1 pair per bag with screws



Includes Hinges And Bases			No Hinges Or Bases		Hinge Base Only		
	8080EZ Anochrome	8080EZ Ebony Black		8081EZ Anochrome		8082EZ Anochrome	8082EZ Ebony Black
Size	Item #	Item #	Size	Item #	Size	Item #	Item #
12"	KV8080-12	KV8080-12BK	12"	KV8081-12	12"	KV8082-12	KV8082-12BK
14"	KV8080-14	KV8080-14BK	14"	KV8081-14	14"	KV8082-14	KV8082-14BK
16"	KV8080-16	KV8080-16BK	16"	KV8081-16	16"	KV8082-16	KV8082-16BK
18"	KV8080-18	KV8080-18BK	18"	KV8081-18	18"	KV8082-18	KV8082-18BK
20"	KV8080-20	KV8080-20BK	20"	KV8081-20	20"	KV8082-20	KV8082-20BK
22"	KV8080-22	KV8080-22BK	22"	KV8081-22	22"	KV8082-22	KV8082-22BK
24"	KV8080-24	KV8080-24BK	24"	KV8081-24	24"	KV8082-24	KV8082-24BK



**Hinge Kit Options**

- Packaged 2 hinges per kit

Item #	Hinge Cup Size	Door Thickness	Application
<b>Ebony Black Hinges</b>			
KV8080H-EZS-BK	35mm	3/4"	Inset
KV8080H-EZL-BK	40mm	3/4"	Overlay
KV8080-HKEZF	35mm	3/4"	Inset - Free Swing



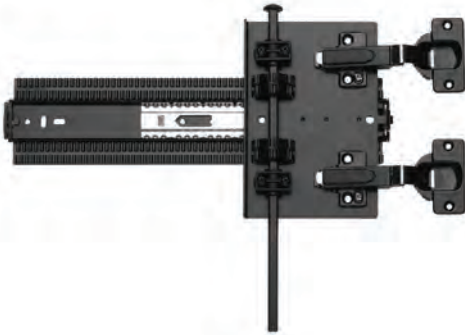
**KV 8090P CR Raised Panel Cassette Roller**

- Additional protection for raised panel doors
- Packaged 1 per polypack with screws

<b>Item #</b>
KV8090P-CR

**POCKET DOOR SLIDES**

**KV Pivot Door Slides 8091/8092**



- 8091: Hinge and baseplate not included
- 8092: Baseplate attached; hinge must be ordered separately
- Rack and pinion design
- Greatly reduces door sag
- Action: Ball-bearing movement
- Maximum Dimensions: Vertical Doors: 72" high x 26" wide
- Multiple hinge options
- Mounting: Side
- Load Rating: 75 lb class

8091 Ebony Black		8092 Ebony Black	
Hinge and baseplate not included		Baseplate attached; hinges must be ordered separately	
Size	Item #	Size	Item #
12"	KV8091-12BK	12"	KV8092-12BK
13"	KV8091-13BK	13"	KV8092-13BK
14"	KV8091-14BK	14"	KV8092-14BK
15"	KV8091-15BK	15"	KV8092-15BK
16"	KV8091-16BK	16"	KV8092-16BK
18"	KV8091-18BK	18"	KV8092-18BK
20"	KV8091-20BK	20"	KV8092-20BK
22"	KV8091-22BK	22"	KV8092-22BK
24"	KV8091-24BK	24"	KV8092-24BK
26"	KV8091-26BK	26"	KV8092-26BK
28"	KV8091-28BK	28"	KV8092-28BK
30"	KV8091-30BK	30"	KV8092-30BK



**Hinge Kit Options**

- Packaged 2 hinges per kit

Item #	Hinge Cup Size	Door Thickness	Application
<b>Ebony Black Hinges</b>			
KV8080H-EZS-BK	35mm	3/4"	Inset
KV8080H-EZL-BK	40mm	3/4"	Overlay
KV8080H-KEZF	35mm	3/4"	Inset - Free Swing

**KV 8090P CR Raised Panel Cassette Roller**

- Additional protection for raised panel doors
- Packed 1 per poly pack with screws; 20 per box



<b>Item#</b>
KV8090P-CR

**KV 8092 Pinion Shafts for 4x4 Pocket Door Slides**

- 1 pair of shafts per pack

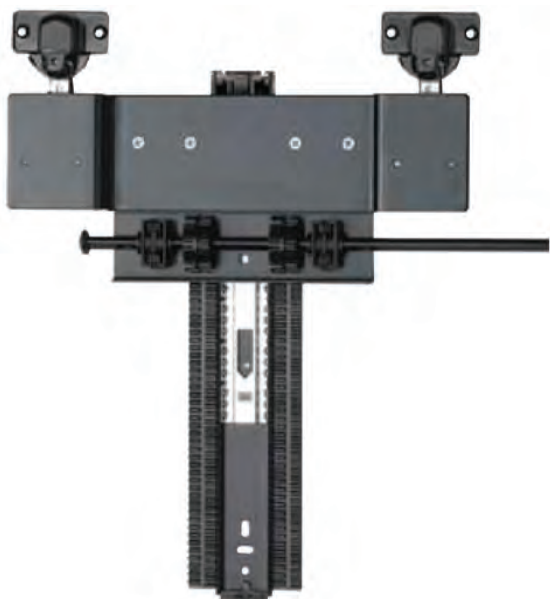


Length	Item #
36"	KV8092FR-36BK
48"	KV8092FR-48BK
72"	KV8092FR-72BK

A  
B  
C  
D  
E  
F  
G  
H  
I  
J  
K  
L  
M  
N  
O  
P  
Q  
R  
S  
T  
U  
V  
W  
X  
Y

**A POCKET DOOR SLIDES**

B  
C  
D  
E  
F  
G  
H  
I  
J  
K  
L  
M  
N  
O  
P  
Q  
R  
S  
T  
U  
V  
W  
X  
Y

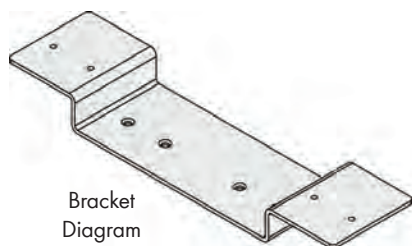


**KV 4X4 Pocket Door Slides Full Overlay Kit**



- Provides a full door overlay on doors up to .75" thick
- Does not compromise key performance features of 4X4 pocket door system
- Mounts directly to KV 8091 series slides
- Accommodates doors up to 75 lb and 72" in height
- Designed to meet or exceed ANSI performance standards as established by BIFMA, BHMA, and KCMA
- Finish: Black
- Polybag kit includes:
  - 2 brackets
  - 4 overlay hinges
  - 4 hinge bases
  - 4 hinge cover caps
  - 4 protective door felt pads
  - All necessary mounting hardware

Item #	Description
KV8091-3/4	Pocket Door Slide Kit with Grass Overlay Hinges
KV8091-3/4S	Pocket Door Slide Kit with Salice Overlay Hinges



Bracket Diagram

**Full Overlay Kit Installation Requirements**

- Overlay kits require the use of a KV 8091 series slide
- Overlay kits require the use of a pinion shaft
- Overlay kits require the use of a partition wall within the cabinet

**Typical Overlay Applications**

Door Thickness	Amount of Overlay	Pocket Width
3/4"	3/4"	1-3/4"
13/16"	11/16"	1-13/16"
7/8"	5/8"	1-7/8"
15/16"	9/16"	1-15/16"
1"	1/2"	2"
1-1/16"	7/16"	2-1/16"
1-1/8"	3/8"	2-1/8"
1-3/16"	5/16"	2-3/16"
1-1/4"	1/4"	2-1/4"

- Minimum Door Height: 24"
- Maximum Door Height: 72"



Notes:																									
A																									
B																									
C																									
D																									
E																									
F																									
G																									
H																									
I																									
J																									
K																									
L																									
M																									
N																									
O																									
P																									
Q																									
R																									
S																									
T																									
U																									
V																									
W																									
X																									
Y																									

**SECTION F - TABLE OF CONTENTS**

**Section F Contents:**

PRO Standards, Brackets  
& Pilasters ..... 2-3

KV Single Slot Standards  
& Brackets ..... 4-11

KV Double Slot Standards  
& Brackets ..... 12-15

KV Pilasters ..... 16-18

Reeve Recessed Standards  
& Brackets ..... 19

Reeve Single Slot Standards  
& Brackets ..... 20-23

Reeve Double Slot Standards  
& Brackets ..... 23

Reeve Standard & Bracket  
Accessories ..... 24

Reeve Slatwall Accessories ..... 24



A  
B  
C  
D  
E  
F  
G  
H  
I  
J  
K  
L  
M  
N  
O  
P  
Q  
R  
S  
T  
U  
V  
W  
X  
Y

**A PRO STANDARDS & BRACKETS**

**B  
C  
D  
E  
F  
G  
H  
I  
J  
K  
L  
M  
N  
O  
P  
Q  
R  
S  
T  
U  
V  
W  
X  
Y**

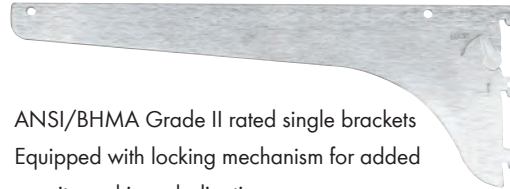


**PRO Value Single Standards**

- ANSI/BHMA Grade II rated single standards
- Standard single slots are spaced in 2" increments
- Material: Heavy Duty 12-gauge steel
- Finish: Zinc
- Dimensions: 7/8"W x 11/16"D
- Packaging: Full boxes of 10 standards

Standard Item #	Size
PROSSNGL-24ZC	24"
PROSSNGL-30ZC	30"
PROSSNGL-36ZC	36"
PROSSNGL-48ZC	48"
PROSSNGL-60ZC	60"
PROSSNGL-72ZC	72"
PROSSNGL-84ZC	84"
PROSSNGL-96ZC	96"

**PRO Value Single Brackets**



- ANSI/BHMA Grade II rated single brackets
- Equipped with locking mechanism for added security and immobilization
- Load Ratings of 250-425 lb per pair (based on length of bracket)
- Material: Heavy Duty 12-gauge steel
- Finish: Zinc
- Packaging: Full boxes of 20 brackets

Bracket Item #	Size
PROBSNGL-08ZC	8"
PROBSNGL-10ZC	10"
PROBSNGL-12ZC	12"
PROBSNGL-14ZC	14"
PROBSNGL-16ZC	16"
PROBSNGL-18ZC	18"
PROBSNGL-20ZC	20"
PROBSNGL-22ZC	22"
PROBSNGL-24ZC	24"



**PRO Value Premier Double Standards**

- ANSI/BHMA Grade II rated double standards
- Standard double slots are spaced in 1" increments
- Pre-drilled for ease of installation and a smooth finish
- Material: 14-gauge steel
- Finish: White
- Dimensions: 1.05" W x 0.69" D
- Packaging: Full boxes of 10 standards

Standard Item #	Size
PROSPRDBL-16WH	16.5"
PROSPRDBL-28WH	28"
PROSPRDBL-39WH	39"
PROSPRDBL-48WH	48"
PROSPRDBL-63WH	63"
PROSPRDBL-78WH	78"
PROSPRDBL-94WH	94"

**PRO Value Premier Double Brackets**



- ANSI/BHMA Grade II rated double brackets
- Load Ratings of 200-425 lb per pair (based on length of bracket)
- Material: 14-gauge steel
- Finish: White
- Packaging: Full boxes of 10 brackets

Bracket Item #	Size
PROBPRDBL-05WH	5"
PROBPRDBL-07WH	7"
PROBPRDBL-09WH	9"
PROBPRDBL-10WH	10.5"
PROBPRDBL-12WH	12.5"
PROBPRDBL-14WH	14.5"
PROBPRDBL-18WH	18.5"
PROBPRDBL-24WH	24.5"



**PRO STANDARDS, BRACKETS & PILASTERS**

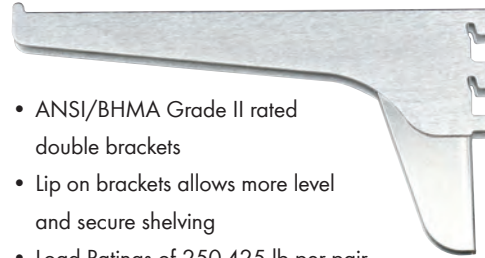
A  
B  
C  
D  
E  
F  
G  
H  
I  
J  
K  
L  
M  
N  
O  
P  
Q  
R  
S  
T  
U  
V  
W  
X  
Y

**Pro Value Double Standards**

- ANSI/BHMA Grade II rated double standards
- Standard double slots are spaced in 1" increments
- Material: 16-gauge steel
- Finish: Zinc
- Dimensions: 1-1/4" W x 1/2" D
- Packaging: Full boxes of 20 standards (sizes: 24" - 60") and 10 standards (sizes: 72" - 96")

Standard Item #	Size
PROSDBL-24ZC	24"
PROSDBL-36ZC	36"
PROSDBL-48ZC	48"
PROSDBL-60ZC	60"
PROSDBL-72ZC	72"
PROSDBL-84ZC	84"
PROSDBL-96ZC	96"

**Pro Value Double Brackets**



- ANSI/BHMA Grade II rated double brackets
- Lip on brackets allows more level and secure shelving
- Load Ratings of 250-425 lb per pair (based on length of bracket)
- Material: 16-gauge steel
- Finish: Zinc
- Packaging: Full boxes of 20 brackets

Bracket Item #	Size
PROBDBL-08ZC	8"
PROBDBL-10ZC	10"
PROBDBL-12ZC	12"
PROBDBL-14ZC	14"
PROBDBL-16ZC	16"
PROBDBL-18ZC	18"
PROBDBL-20ZC	20"
PROBDBL-22ZC	22"
PROBDBL-24ZC	24"

**Pro Value Pilasters & Clips**

- ANSI/BHMA Grade II rated single pilasters
- Designed to hold various shelf materials such as glass, particle board, and wood
- Spaced in 1/2" increments for stability
- Pre-drilled nail holes and stamped numbers for easy installation
- Finish: Zinc
- Load rating of 100 lb
- Packaging: Full boxes of 10 pilasters



Pilaster Item #	Size
PROPILSTR-18ZC	18"
PROPILSTR-24ZC	24"
PROPILSTR-30ZC	30"
PROPILSTR-36ZC	36"
PROPILSTR-48ZC	48"

Pilaster Item #	Size
PROPILSTR-60ZC	60"
PROPILSTR-72ZC	72"
PROPILSTR-84ZC	84"
PROPILSTR-96ZC	96"

Clip Item #	Box Qty	Clip Item #	Box Qty
PROCLIP-ZC	100	PROCLIP-BZC	1000

**A KV 80/180 REGULAR DUTY STANDARDS & BRACKETS**

B  
C  
D  
E  
F  
G  
H  
I  
J  
K  
L  
M  
N  
O  
P  
Q  
R  
S  
T  
U  
V  
W  
X  
Y



**KV 80 Series Standards**

- Single slot design
- 1" vertical slot adjustability
- BHMA Grade 2 Compliant
- Limited lifetime warranty
- Dimensions: 5/8" wide x 13/32" deep x selected length
- Material: 16 gauge steel
- Countersunk screw holes
- Safety lead-in at top of standards
- Embossed "up" and arrow to show correct orientation and precision cut lengths
- Center aligned slots and screw holes
- Packed 10 standards per box



Length	Anochrome Item #	Black Item #	White Item #
12"	KV80ANO12	-	-
18"	KV80ANO18	-	-
24"	KV80ANO24	KV80BLK24	KV80WH24
36"	KV80ANO36	KV80BLK36	KV80WH36
48"	KV80ANO48	KV80BLK48	KV80WH48
60"	KV80ANO60	KV80BLK60	KV80WH60
72"	KV80ANO72	KV80BLK72	KV80WH72
84"	KV80ANO84	-	-
96"	KV80ANO96	KV80BLK96	-



**KV 180 Series Brackets**

- For use with KV 80 series standards
- Material: 14 and 16 gauge steel
- Holds up to 320 lbs. per pair
- Two complete locking teeth
- Spring steel clip for stability and friction lock
- Shelf retaining clip
- Packed 10 brackets per box



Length	Anochrome Item #	Black Item #	White Item #
4"	KV18ANO4	-	-
6"	KV18ANO6	KV180BLK06	-
8"	KV18ANO8	-	-
10"	KV18ANO10	KV180BLK10	-
12"	KV18ANO12	KV180BLK12	KV180WH12
14"	KV18ANO14	KV180BLK14	KV180WH14
16"	KV18ANO16	KV180BLK16	KV180WH16
18"	KV18ANO18	-	-
20"	KV18ANO20	-	-

## KV 80/180 SERIES STANDARD & BRACKET ACCESSORIES



### KV 160LL Series Lock Lever Brackets



- For use with 1" adjustable 80 series standards
- Material: 14 gauge steel
- Finish: Anochrome (ANO)
- Two locking teeth
- Lever lock for extra secure mounting and stability
- Shelf retaining lip
- Packed 10 brackets per box

Length	Item #
12"	KV160ANO12
16"	KV160ANO16



### KV 179 Series Adjustable Angle Brackets



- For use with 1" adjustable 80 series standards
- Material: 14 and 16 gauge steel
- Finish: Anochrome (ANO)
- Two complete locking teeth
- Shelf retaining clip
- Spring clip for stability and friction locking
- Adjusts to 15°, 30°, 45° and level
- Packed 10 brackets per box

Length	Item #
10"	KV179ANO10
12"	KV179ANO12
14"	KV179ANO14



A



B



C



D



E



F

### KV 80/180 Series Accessories



- Packed 100 per box

	Item #	Description
A	KV103-PLAS	Clear plastic front rest
B	KV104-PLAS	Clear plastic back rest
C	KV119	Gray rubber cushion to use with metal rests
D	KV129R	Gray rubber cushion to use with plastic rests
E	KV136	Socket-#80 standard bottom socket
F	KV137	Socket-#80 standard top socket

A  
B  
C  
D  
E  
F  
G  
H  
I  
J  
K  
L  
M  
N  
O  
P  
Q  
R  
S  
T  
U  
V  
W  
X  
Y

**A KV 83 / 183 SERIES HEAVY-DUTY STANDARDS & BRACKETS**

B  
C  
D  
E  
F  
G  
H  
I  
J  
K  
L  
M  
N  
O  
P  
Q  
R  
S  
T  
U  
V  
W  
X  
Y



**KV 83 Series Oversized Standards**

- Single slot design
- 1" vertical slot adjustability
- BHMA Grade 2 Compliant
- Limited lifetime warranty
- Dimensions: 3/4" W x 1/2" D x selected length
- Material: 16 gauge steel
- Finish: Anochrome (ANO)
- Safety lead-in at top of standard
- Embossed logo to show correct orientation
- Countersunk screw holes
- Center aligned slots and screw holes
- Precision cut lengths
- Packed 10 standards per box



Length	Item #
24"	KV83ANO24
36"	KV83ANO36
48"	KV83ANO48
60"	KV83ANO60
72"	KV83ANO72
84"	KV83ANO84
96"	KV83ANO96



Right Bracket

**KV 183 Series Brackets**

- For use with KV 83 series standards
- 183R: Right Flange Bracket
- 183L: Left Flange Bracket
- 183C: Center Flange Bracket
- Material: 16 gauge steel
- Finish: Anochrome (ANO)
- Holds up to 460 lbs. per pair of brackets
- Bracket flanges allows for simple attachment to wooden shelves
- Brackets may also be used with 85 series standards for added supports on long shelves
- Packed 10 brackets per box



Left Bracket



Center Bracket

Length	Right Bracket Item #	Left Bracket Item #	Center Bracket Item #
8"	KV183RANO8	KV183LANO8	KV183CANO8
10"	KV183RANO10	KV183LANO10	KV183CANO10
12"	KV183RANO12	KV183LANO12	KV183CANO12
14"	KV183RANO14	KV183LANO14	KV183CANO14
16"	KV183RANO16	KV183LANO16	KV183CANO16
18"	KV183RANO18	KV183LANO18	KV183CANO18
20"	KV183RANO20	KV183LANO20	KV183CANO20

**KV 83/183 SERIES STANDARD & BRACKET ACCESSORIES**



**KV 113L/113R Panel Clips**

- Used to attach display and wall panels into vertical position
- Finish: Anochrome
- Packed and sold in 50 per box



Item #	Description
KV113L	Left-Hand Anochrome Panel Clip
KV113R	Right-Hand Anochrome Panel Clip

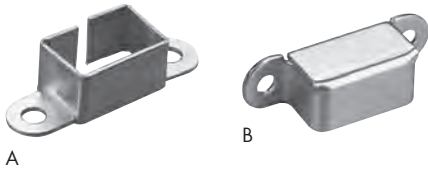


**KV 119 Gray Rubber Cushion**

- Packed 100 per box



Item #
KV119



**KV 134/135 Sockets**

- Packed 100 per box



	Item #	Description	Sold In
A	KV134-ANO	#83 Standard Bottom Socket	Per Each
B	KV135	#83 Standard Top Socket	Per Each



**KV 191/192 Hang Rod Saddles**

- 191 bolts to 183L & 183R or 185 brackets to hold 1-1/16" O.D. tubing
- 192 bolts to 183L & 183R or 185 brackets to hold 1-5/16" O.D. tubing
- Finish: Anochrome



Item #	Description	Sold In
KV191-ANO	To hold 1-1/16" O.D. tubing	Per Each
KV192	To hold 1-5/16" O.D. tubing	Per Each



**KV 161LL Lock Lever Brackets**

- Finish: Anochrome (ANO)
- Three locking teeth
- Lever lock for extra secure mounting
- Packed 10 per box



Item #	Size
KV161ANO24	24"

**A KV 87 / 186 / 187 SERIES SUPER-DUTY STANDARDS & BRACKETS**

B  
C  
D  
E  
F  
G  
H  
I  
J  
K  
L  
M  
N  
O  
P  
Q  
R  
S  
T  
U  
V  
W  
X  
Y



Anochrome

White

**KV 87 Series Standards**

- Single slot design
- BHMA Grade 2 Compliant
- Material: 12 gauge steel
- Countersunk screw holes
- Dimensions: 7/8"W x 1 1/16"D x selected height
- Embossed logo to show correct orientation
- Precision cut lengths
- Packed 5 standards per box
- 2" vertical slot adjustability
- Limited lifetime warranty
- Finish: Anochrome (ANO), White (WH)
- Center aligned slots and screw holes



Length	Anochrome Item #	White Item #
24"	KV87ANO24	KV87WH24
36"	KV87ANO36	KV87WH36
48"	KV87ANO48	KV87WH48
60"	KV87ANO60	KV87WH60
72"	KV87ANO72	KV87WH72
84"	KV87ANO84	KV87WH84
96"	KV87ANO96	KV87WH96



186 Series Anochrome

186 Series White

**KV 186LL and 187LL Series Lock Lever Brackets**

- For use with KV 87 series standards
- Material: 12 gauge steel
- Finish: Anochrome (ANO), White (WH)
- Holds up to 1,060 lbs. per pair of brackets
- Utilizes an easy-to-install unique cam lock that secures bracket to the standard
- Two or three complete locking teeth
- Predrilled holes for mounting 1987 series shelves or attaching shelf rests
- Packed 10 brackets per box



187 Series Anochrome

187 Series White

Length	Anochrome Item #	White Item #
<b>186 Series Brackets</b>		
8"	KV186ANO8	KV186WH8
10"	KV186ANO10	KV186WH10
<b>187 Series Brackets</b>		
12"	KV187ANO12	KV187WH12
14"	KV187ANO14	KV187WH14
16"	KV187ANO16	KV187WH16
18"	KV187ANO18	KV187WH18
20"	KV187ANO20	KV187WH20
22"	KV187ANO22	KV187WH22
24"	KV187ANO24	KV187WH24

**KV 87 / 187 SERIES STANDARD & BRACKET ACCESSORIES**



**KV 119 Gray Rubber Cushion**

- For use with metal rests
- Recommended for use when supporting glass shelves
- Packed 100 per box



<b>Item #</b>
KV119

A  
B  
C  
D  
E  
F



**KV 129 Gray Rubber Cushion**

- For use with metal and plastic rests
- Recommended for use when supporting glass shelves
- Packed 100 per box



<b>Item #</b>
KV129R

G  
H  
I  
J  
K



A

**KV Front and Center Rests**

- Recommended for use with 186 and 187 series brackets
- For anchoring shelf to brackets
- Packed 100 per box



	<b>Item #</b>	<b>Description</b>
A	KV210	Anochrome End Rest with Screw
	KV210-WH	White End Rest with Screw
B	KV211	Anochrome Center Rest with Screw
	KV211-WH	White Center Rest with Screw
C	KV212	Anochrome Front Rest with Screw
D	KV213-ZC	Zinc Snap-in Center Rest

L  
M  
N  
O  
P  
Q  
R  
S  
T  
U  
V  
W  
X  
Y



B



C



D

**A KV 87 / 186 / 187 SUPER-DUTY STAINLESS STEEL STANDARDS & BRACKETS**

**B**  
**C**  
**D**  
**E**  
**F**  
**G**  
**H**  
**I**  
**J**  
**K**  
**L**  
**M**  
**N**  
**O**  
**P**  
**Q**  
**R**  
**S**  
**T**  
**U**  
**V**  
**W**  
**X**  
**Y**



**KV 87 Super-Duty Stainless Steel Standards**



- Single slot design
- 2" vertical slot adjustability
- BHMA Grade 2 Compliant
- Limited lifetime warranty
- Dimensions: 7/8" wide x 11/16" deep x selected length
- Material: 14 gauge, 304 grade stainless steel
- Finish: Stainless Steel (SS)
- Countersunk screw holes
- Center aligned slots and screw holes
- Precision cut lengths
- Packed and sold in 5 standards per box

Length	Item #
24"	KV87SS24
36"	KV87SS36
48"	KV87SS48
60"	KV87SS60
72"	KV87SS72



**KV 187LL Series Stainless Steel Lock Lever Brackets**



- For use with KV 87 series stainless steel standards
- Material: 14 gauge, 304 grade stainless steel
- Finish: Brushed Stainless Steel (SS)
- Holds up to 560 lbs. per pair of brackets
- Lever lock for easy installation, stability and safety
- Predrilled holes for mounting 1987 series shelving or attaching shelf rests
- Two or three complete locking teeth
- Packed and sold in 10 brackets per box

Length	Item #
12"	KV187SS12
14"	KV187SS14
16"	KV187SS16
24"	KV187SS24



**KV 71/170 REGULAR-DUTY STANDARDS & BRACKETS**



**KV 71 Series Narrow Standards**



- Single slot system
- 1" vertical slot adjustment
- BHMA Grade 2 Compliant
- Limited lifetime warranty
- Dimensions: 5/16" wide x 13/32" deep x selected length
- Material: 13 gauge steel
- Finish: Anochrome (ANO)
- Narrow design to fit between prefabricated wall panels for flush wall mount
- Countersunk screw holes
- Center aligned slots and screw holes
- Precision cut lengths
- Packed and sold in boxes of 10 per box

Length	Item #
48"	KV71ANO48
72"	KV71ANO72
96"	KV71ANO96



**KV 170 Series Brackets**



- For use with KV 71 series narrow standards
- Material: 14 gauge steel
- Finish: Anochrome (ANO)
- Holds up to 210 lb per pair
- Two locking teeth
- Shelf retaining clip
- Stamped wing stabilizer
- Packed and sold in boxes of 50 per carton

Length	Item #
12"	KV170ANO12
14"	KV170ANO14

A  
B  
C  
D  
E  
F  
G  
H  
I  
J  
K  
L  
M  
N  
O  
P  
Q  
R  
S  
T  
U  
V  
W  
X  
Y

**A KV 85 / 185 SERIES EXTRA-DUTY STANDARDS & BRACKETS**



Anochrome

White

**KV 85 Series Standards**

- Double slot design
- BHMA Grade 2 Compliant
- Material: 16 gauge steel
- Safety lead-in at top of standard
- Countersunk screw holes
- Precision cut lengths
- Dimensions: 1-1/4" wide x 1/2" deep x selected length
- Packed 10 standards per box
- 1" vertical slot adjustability
- Limited lifetime warranty
- Finish: Anochrome (ANO), White (WH)
- Embossed logo to show correct orientation
- Center aligned slots and screw holes



Length	Anochrome Item #	White Item #
24"	KV85ANO24	-
36"	KV85ANO36	-
48"	KV85ANO48	KV85WH48
60"	KV85ANO60	KV85WH60
72"	KV85ANO72	KV85WH72
84"	KV85ANO84	KV85WH84
96"	KV85ANO96	KV85WH96



Anochrome



White

**KV 185 Series Brackets**

- For use with KV 85 series standards
- Material: 14 and 16 gauge steel
- Finish: Anochrome (ANO), White (WH)
- Holds up to 680 lbs. per pair of brackets
- Shelf retaining lip on brackets
- Four locking teeth and two lugs for safety and stability
- Shelf fastening screw holes
- Packed 10 brackets per box



Length	Anochrome Item #	White Item #
8"	KV185ANO8	KV185WH8
10"	KV185ANO10	KV185WH10
12"	KV185ANO12	KV185WH12
14"	KV185ANO14	KV185WH14
16"	KV185ANO16	KV185WH16
18"	KV185ANO18	KV185WH18
20"	KV185ANO20	KV185WH20
22"	KV185ANO22	KV185WH22
24"	KV185ANO24	KV185WH24

**KV 85 / 185 SERIES STANDARD & BRACKET ACCESSORIES**



**KV 106 Shelf Rest**

- Used to join two shelves at one bracket
- Finish: Anochrome
- Packed 50 per box



<b>Item #</b>
KV106



**KV 107 Hang Rod Clamp**

- Bolts for 183 and 185 brackets to hold rods securely
- Finish: Anochrome
- Packed and sold in 20 per box



<b>Item #</b>
KV107



**KV 113L/113R Panel Clips**

- Used to attach display and wall panels into vertical position
- Finish: Anochrome
- Packed and sold in 50 per box



Item #	Description
KV113L	Left-Hand Anochrome Panel Clip
KV113R	Right-Hand Anochrome Panel Clip



**KV 129 Gray Rubber Cushion**

- For use with metal and plastic rests
- Packed 100 per box



<b>Item #</b>
KV129R



**KV 191/192 Hang Rod Saddles**

- 191 bolts to 183L & 183R or 185 brackets to hold 1-1/16" O.D. tubing
- 192 bolts to 183L & 183R or 185 brackets to hold 1-5/16" O.D. tubing
- Finish: Anochrome



Item #	Description	Sold In
KV191-ANO	To hold 1-1/16" O.D. tubing	Per Each
KV192	To hold 1-5/16" O.D. tubing	10/Box

A  
B  
C  
D  
E  
F  
G  
H  
I  
J  
K  
L  
M  
N  
O  
P  
Q  
R  
S  
T  
U  
V  
W  
X  
Y

**A KV 82/182 SERIES HEAVY-DUTY STANDARDS & BRACKETS**



Black Titanium White

**KV 82 Series Standards**



- Double slot design
- 1-1/4" vertical slot adjustability
- BHMA Grade 2 Compliant
- Limited lifetime warranty
- Dimensions: 1-1/16" W x 11/16" D x selected length
- Material: 14 gauge steel
- Strength enhancing ribs
- Countersunk screw holes
- Embossed "up" and arrow to show correct orientation
- Center aligned slots and screw holes
- Precision cut lengths
- Packed 10 standards per box

Length	Black Item #	Titanium Item #	White Item #
16.5"	-	KV82TI16.5	KV82WH16.5
28"	KV82BLK28	KV82TI28	KV82WH28
39"	KV82BLK39	KV82TI39	KV82WH39
48"	KV82BLK48	KV82TI48	KV82WH48
63"	KV82BLK63	KV82TI63	KV82WH63
78"	KV82BLK78	KV82TI78	KV82WH78
94"	KV82BLK94	KV82TI94	KV82WH94



Black

**KV 182 Series Brackets**



- For use with KV 82 series standards
- Material: 16 gauge steel
- Holds up to 450 lbs. per pair of brackets
- Four complete locking teeth
- Countersunk screw holes to fasten shelves
- Packed 10 brackets per box



Titanium

Length	Black Item #	Titanium Item #	White Item #
5"	KV182BLK5	-	KV182WH5
7"	KV182BLK7	KV182TI7	KV182WH7
9"	KV182BLK9	KV182TI9	KV182WH9
10.5"	KV182BLK10.5	KV182TI10.5	KV182WH10.5
12.5"	KV182BLK12.5	KV182TI12.5	KV182WH12.5
14.5"	KV182BLK14.5	KV182TI14.5	KV182WH14.5
18.5"	KV182BLK18.5	KV182TI18.5	KV182WH18.5
24"	KV182BLK24	KV182TI24	KV182WH24



White

**KV 82/182 SERIES STANDARD & BRACKET ACCESSORIES**

A  
B  
C  
D  
E  
F  
G  
H  
I  
J  
K  
L  
M  
N  
O  
P  
Q  
R  
S  
T  
U  
V  
W  
X  
Y



**KV 182 Bookend**

- Finish: White (WH)



Length	Item #	Sold In
9"	KV182BE09WH	Per Each
10"	KV182BE10.5WH	Per Each



**KV 82 Screw Pack**

- Finish: Zinc
- Packed 20 bags per box (6 screws + 6 anchors per bag)



Item #
KV82DP-SCREW-ZC



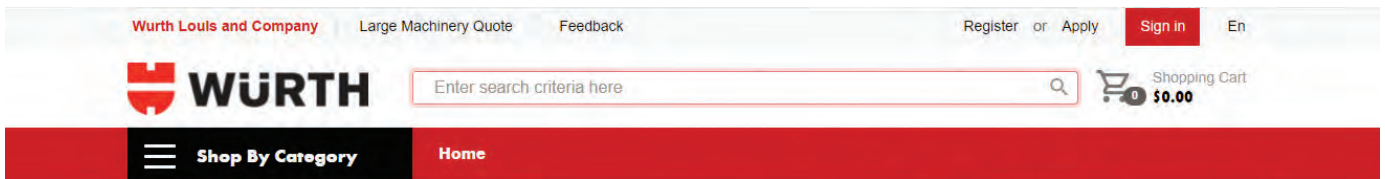
**KV 182 Bracket Lock**

- Finish: Black rubber
- Packed 20 bags per box (6 locks per bag)



Item #	Sold In
KV182LKBLK	20/Bag

**Visit us on our website: [wurthlac.com](http://wurthlac.com)**



**Würth Louis and Company**  
Introduces:

**RGB TUNABLE FLEXTAPE®**

Creating dramatic lighting with 16 million color combinations is now a reality with RGB Standard color-changing FlexTape®.



**NOW HIRING!**

Apply at:  
[wurthlac.com/careers](http://wurthlac.com/careers)

**SUPPLY CHAIN CHALLENGES? We have you COVERED.**

[LEARN MORE](#)

A  
B  
C  
D  
E  
F  
G  
H  
I  
J  
K  
L  
M  
N  
O  
P  
Q  
R  
S  
T  
U  
V  
W  
X  
Y

**KV 255 SERIES STEEL AND ALUMINUM PILASTERS**



Almond Brass-look Brown



White Zinc

**KV 255 Series Steel Pilasters**

- Holds up to 500 lbs. per shelf
- 1/2" vertical slot adjustment
- Full finish coverage to deter corrosion
- BHMA Grade 1 Compliant
- Dimensions: 5/8" width x 3/16" deep x selected length
- Material: 23 gauge high strength steel
- 18" - 60" sizes packed 100 standards per carton
- 72 - 96" sizes packed 50 standards per carton



Length	Almond Item #	Brass-Look Item #	Brown Item #	White Item #	Zinc Item #
18"	KV255AL18	KV255BR18	KV255BRN18	-	KV255ZC18
24"	KV255AL24	-	KV255BRN24	KV255WH24	KV255ZC24
30"	KV255AL30	-	-	KV255WH30	KV255ZC30
36"	KV255AL36	KV255BR36	KV255BRN36	KV255WH36	KV255ZC36
48"	-	KV255BR48	KV255BRN48	KV255WH48	KV255ZC48
60"	KV255AL60	KV255BR60	KV255BRN60	-	KV255ZC60
72"	KV255AL72	KV255BR72	KV255BRNZC72	KV255WH72	KV255ZC72
84"	KV255AL84	-	-	KV255WH84	KV255ZC84
96"	KV255AL96	KV255BR96	KV255BRNZC96	KV255WH96	KV255ZC-96

**KV 255 Series Aluminum Pilasters**

- Holds up to 500 lbs. per shelf
- Material: 17 gauge aluminum
- 18" - 60" sizes packed 100 standards per carton.
- 72 - 96" sizes packed 50 standards per carton



Natural Aluminum Brass-look

Length	Natural Aluminum Item #	Brass-Look Item #
18"	KV255AM18	KV255ALBR18
24"	-	KV255AMBR24
30"	-	KV255ALBR30
36"	-	KV255AMBR36
48"	KV255AM48	KV255ALBR48
60"	-	KV255AMBR60
72"	KV255AM72	KV255AMBR72
84"	KV255AM84	-
96"	KV255AM96	KV255AMBR96

**KV 255 / 256 SERIES SHELF SUPPORTS & ACCESSORIES**



**KV 256 Series Pilaster Shelf Supports**



- For use with 255 series steel and aluminum pilasters
- Material: High strength steel
- Patented design
- Full coverage finish to resist corrosion
- Strength increasing dimple
- \* Use with 255BRN

	Item #	Description	Finish	Sold In
A	KV256-AL	Shelf support	Almond	Per Each
B	KV256-BR	Shelf support	Brass-look	Per Each
	KV256B-BR	Shelf support	Brass-look	100/Box
C	KV256-WAL	Shelf support	Walnut*	Per Each
	KV256B-WAL	Shelf support	Walnut*	100/Box
D	KV256-WH	Shelf support	White	Per Each
E	KV256-ZC	Shelf support	Zinc	Per Each
	KV256B-ZC	Shelf support	Zinc	1,000/Box
F	KV256AMNAT	Shelf support	Natural Aluminum	Per Each
G	KV239-ZC	Shelf support - Woodwork Institute Acknowledged Product	Zinc	Per Each
H	KV243-ZC	3" shelf bracket (non-handed)	Zinc	Per Each
I	KV244-ANO	Wire shelf support	Zinc	Per Each
J	KV757-ANO	Flange for 1-1/16" OD closet rod	Zinc	Per Each

**Nails for KV 255 Series Pilasters**



- Approximately 650 nails per bag



Item #	Finish	Use with:	Sold In
KVN-AL	Almond	255ALM	5/Bags
KVN-BR	Brass-look	255BR, 255AL BR	1/Bag
KVN-AMWAL	Bronzed	255BRN, 255AL BRN	1/Bag
KVN-WH	White	255WH	1/Bag
KVN-ZC	Zinc	255ZC, 255AL	1/Bag

A  
B  
C  
D  
E  
F  
G  
H  
I  
J  
K  
L  
M  
N  
O  
P  
Q  
R  
S  
T  
U  
V  
W  
X  
Y

**A KV 233 PILASTERS & ACCESSORIES**

B  
C  
D  
E  
F  
G  
H  
I  
J  
K  
L  
M  
N  
O  
P  
Q  
R  
S  
T  
U  
V  
W  
X  
Y

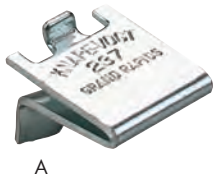


**KV 233 Surface Mount Steel Pilasters**

- Holds up to 500 lb per shelf
- 1/2" vertical slot adjustability
- BHMA Grade 1 Compliant
- Limited lifetime warranty
- Dimensions: 13/16" width x 3/16" deep x selected height
- Material: 23 gauge high-strength steel
- Numbered slots for quick, accurate clip insertion
- Countersunk nail, screw and staple holes
- Full finish coverage to deter corrosion
- Precision cut lengths



Length	Zinc Item #	Sold In
18"	KV233ZC18	100/Box
36"	KV233ZC36	100/Box
48"	KV233ZC48	100/Box
60"	KV233ZC60	100/Box
72"	KV233ZC72	50/Box
96"	KV233ZC96	50/Box

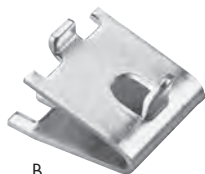


A

**KV 233 Pilaster Shelf Supports**



	Item #	Description	Finish	Sold In
A	KV237-ZC	Shelf support for 233 pilasters	Zinc	Per Each
B	KV238ANO	Shelf support with locator tab	Zinc	100/Box



B



**Nails for KV 233 Series Pilasters**

- Approximately 650 nails per bag



Item #	Finish	Use with:	Sold In
KVN-BR	Brass-look	233BR	Per Bag
KVN-ZC	Zinc	233ZC	Per Bag



**REEVE HEAVY DUTY SHELF STANDARDS & BRACKETS**

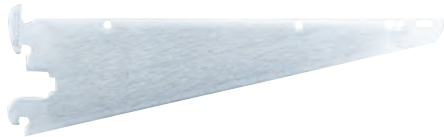


**Heavy Duty Shelf Standard  
Concealed/Recessed**



- Used with RVS767 series bracket
- 1-1/2" W x 11/16" D
- Brillatone (Zinc)
- .125" thick cold rolled steel
- Adjustable in 2" increments
- Screwholes 6" centers staggered each side
- Recommended fasteners (sold separately): #10 Flat Head screw
- Packed: 10 standards per box

Length	Item #
72"	RVS704-6
96"	RVS704-8



**Heavy Duty Shelf Bracket  
For Concealed/Recessed Standards**



- Used with RVS704 series standard
- 1/8" thick tempered steel
- Brillatone (Zinc)
- Weight rating of 675 to 1,325 lbs. per pair (based on length)
- Bracket features two engagement teeth, top tooth has uphook design to increase bracket's hold to the standard
- Packed: 24 brackets per box

Length	Item #
10"	RVS767-10
12"	RVS767-12
14"	RVS767-14
16"	RVS767-16

A  
B  
C  
D  
E  
F  
G  
H  
I  
J  
K  
L  
M  
N  
O  
P  
Q  
R  
S  
T  
U  
V  
W  
X  
Y

**A REEVE SINGLE SLOT STANDARDS**

**B**  
**C**  
**D**  
**E**  
**F**  
**G**  
**H**  
**I**  
**J**  
**K**  
**L**  
**M**  
**N**  
**O**  
**P**  
**Q**  
**R**  
**S**  
**T**  
**U**  
**V**  
**W**  
**X**  
**Y**



**Standard Duty Shelf Standard  
Single Slotted, 11/16" W**



- Used with RVS41, RVS43, RVS81 and RVS83 series brackets
- Brillatone (Zinc)
- .0625" thick cold rolled steel
- Adjustable in 1" increments
- Screwholes on 6" centers
- Recommended Fasteners (sold separately): #7 Flat Head screw
- Packed: 10 standards per box

Length	Item #
24"	RVS40-2
30"	RVS40-2.5
36"	RVS40-3
48"	RVS40-4
60"	RVS40-5
72"	RVS40-6
84"	RVS40-7
96"	RVS40-8



**Heavy Duty Shelf Standards  
Single Slotted, 11/16" W**



- Used with RVS41, RVS43, RVS81 and RVS83 series brackets.
- Brillatone (Zinc)
- .090" thick cold rolled steel
- Adjustable in 1" increments
- Screwholes on 12" centers
- Recommended Fasteners (sold separately): #7 Flat Head screw
- Packed: 10 standards per box

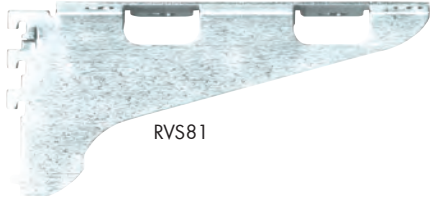
Length	Item #
48"	RVS20-4
60"	RVS20-5
72"	RVS20-6
84"	RVS20-7
96"	RVS20-8

**REEVE SINGLE SLOT BRACKETS**

A  
B  
C  
D  
E  
F  
G  
H  
I  
J  
K  
L  
M  
N  
O  
P  
Q  
R  
S  
T  
U  
V  
W  
X  
Y



RVS41



RVS81

**Standard & Heavy Duty Shelf Brackets With & Without Flange**



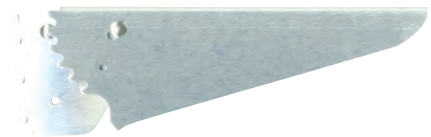
- Used with RVS20 & RVS40 series standards
- RVS41 is .080" thick tempered steel, RVS81 is .085" thick tempered steel, Brillatone (Zinc)
- Weight rating: 130-350 lbs. (RVS41), 200-450 lbs. (RVS81) per pair
- RVS41 has a shelf lip at the end of the bracket with no flange, RVS81 is available in left, right and center flange styles
- Brackets are designed with stabilizers to reduce sway
- RVS41 has two engagement teeth, while RVS81 has three
- Packed: RVS41 series 24 brackets per box; RVS81 series 12 brackets per box

Standard Duty - RVS41 (Without Flange)	
Length	Item #
6"	RVS41-6
8"	RVS41-8
10"	RVS41-10
12"	RVS41-12
14"	RVS41-14
16"	RVS41-16
18"	RVS41-18

Heavy Duty - RVS81 (With Flange) Brillatone-Zinc Finish			
Length	Right Flange Item #	Left Flange Item #	Center Flange Item #
5"	RVS81-R-5	RVS81-L-5	-
8"	RVS81-R-8	RVS81-L-8	-
10"	RVS81-R-10	RVS81-L-10	RVS81-C-10
12"	RVS81-R-12	RVS81-L-12	RVS81-C-12
14"	RVS81-R-14	RVS81-L-14	RVS81-C-14
16"	RVS81-R-16	RVS81-L-16	RVS81-C-16
18"	RVS81-R-18	RVS81-L-18	RVS81-C-18
20"	RVS81-R-20	RVS81-L-20	RVS81-C-20
22"	RVS81-R-22	RVS81-L-22	RVS81-C-22
24"	RVS81-R-24	RVS81-L-24	RVS81-C-24



RVS43



RVS83

**Standard Duty Shelf Brackets Adjustable Downslant, With & Without Flange**



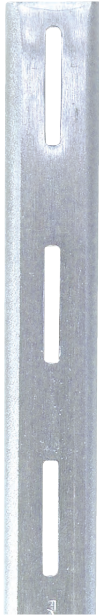
- Used with RVS20 & RVS40 series standards
- Weight rating: 50 lbs. per pair (for both RVS43 & RVS83), Brillatone (Zinc)
- .080" thick tempered steel
- Adjusted to straight, 7°, 15°, 30°, 45° downslants, (14" & 16" length can be adjusted to 60° downslant)
- RVS43 has two engagement teeth and a shelf lip
- RVS83 comes in left and right flange versions and has three engagement teeth
- Packed: 12 brackets per box

RVS43 (Without Flange)	
Length	Item #
10"	RVS43-10
12"	RVS43-12
14"	RVS43-14
16"	RVS43-16

RVS83 (With Flange)		
Length	Right Flange Item #	Left Flange Item #
8"	RVS83-R-8	RVS83-L-8
10"	RVS83-R-10	RVS83-L-10
12"	RVS83-R-12	RVS83-L-12
14"	RVS83-R-14	RVS83-L-14
16"	RVS83-R-16	RVS83-L-16

**A REEVE SINGLE SLOT STANDARDS**

B  
C  
D  
E  
F  
G  
H  
I  
J  
K  
L  
M  
N  
O  
P  
Q  
R  
S  
T  
U  
V  
W  
X  
Y

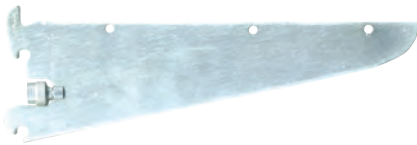


**Extra Heavy Duty Shelf Standards  
Single Slotted, 7/8" W x 5/8" D**



- Used with RVS723 & RVS766 Series bracket
- Brillatone (Zinc)
- .125" thick cold rolled steel
- Adjustable in 2" increments; Screwholes 12" on centers
- Packed: 10 standards per box

Length	#14 Screwhole Item #
36"	RVS700-3
48"	RVS700-4
60"	RVS700-5
72"	RVS700-6
84"	RVS700-7
96"	RVS700-8
120"	RVS700-10
144"	RVS700-12



**Extra Heavy Duty Shelf Brackets  
Single Slotted**



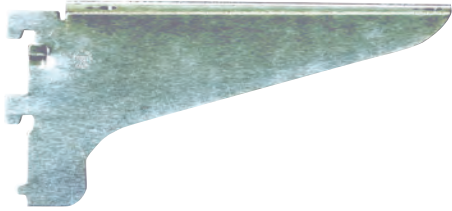
- Used with RVS700 Series standard
- Brillatone (Zinc)
- 1/8" thick tempered steel; Weight rating of 675 to 1,325 lbs. per pair (based on length)
- Bracket comes standard with locknut thumb screw to reduce sway
- Two engagement teeth, one tooth has an uphook design for additional stability and holding power
- Packed: 12 brackets per box

Length	Item #
8"	RVS766-8
10"	RVS766-10
12"	RVS766-12
14"	RVS766-14
16"	RVS766-16

Length	Item #
18"	RVS766-18
20"	RVS766-20

**For Heavy Duty Flanged Brackets, see next page**

**REEVE FLANGED BRACKETS / DOUBLE SLOTTED STANDARDS / BRACKETS**



**Extra Heavy Duty Shelf Brackets  
Single Slotted Flanged Bracket**



- Used with RVS700 Series standard
- .085" thick tempered steel; Weight rating: 230-520 lbs. per pair (based on length), Brillatone (Zinc)
- Flange has keyhole slots for shelf mounting
- Bracket has two engagement teeth and stabilizer tooth (to reduce sway) to secure bracket to standard
- Packed: 12 brackets per box

Length	Right Flange Item #	Left Flange Item #	Length	Right Flange Item #	Left Flange Item #
10"	RVS723-R-10	RVS723-L-10	18"	RVS723-R-18	RVS723-L-18
12"	RVS723-R-12	RVS723-L-12	20"	RVS723-R-20	RVS723-L-20
14"	RVS723-R-14	RVS723-L-14	22"	RVS723-R-22	RVS723-L-22
16"	RVS723-R-16	RVS723-L-16			



**Heavy Duty Standards  
Double Slotted, 1-1/4" W x 1/2" D**



- Used with RVS485 series bracket
- .074" thick steel, Brillatone (Zinc)
- Adjustable in 1" increments
- Screwholes are placed 6" apart on centers
- Recommended Fasteners (sold separately): #10 Flat Head screw
- Packed: 10 standards per box

Length	Item #	Length	Item #
24"	RVS44-2	60"	RVS44-5
30"	RVS44-2.5	72"	RVS44-6
36"	RVS44-3	96"	RVS44-8
48"	RVS44-4	120"	RVS44-10



**Heavy Duty Double Slotted Brackets**



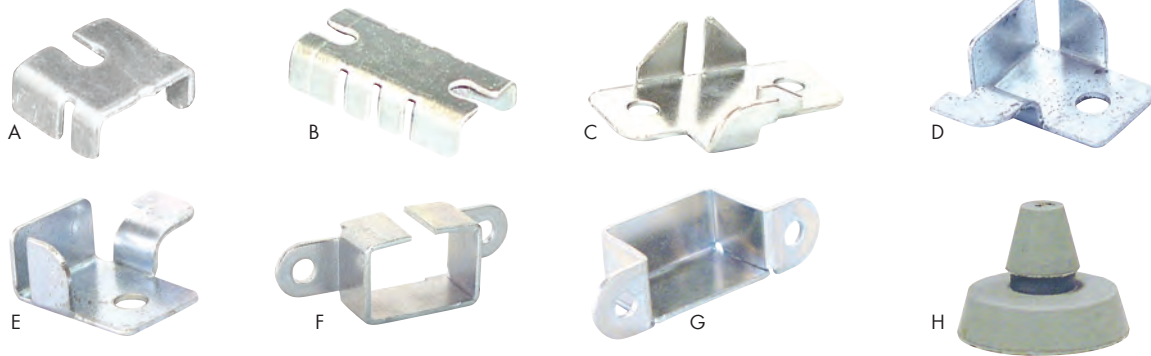
- Used with RVS44 series standard
- .080" thick cold rolled steel (based on size), Brillatone (Zinc)
- Weight rating of 335-710 lbs. per pair (based on length)
- Bracket has 2 engagement teeth to fasten standard to bracket and shelf lip at end of bracket
- For use in long runs of shelving
- Packed: 10 brackets per box

Length	Item #	Length	Item #
8"	RVS485-8	18"	RVS485-18
10"	RVS485-10	20"	RVS485-20
12"	RVS485-12	22"	RVS485-22
14"	RVS485-14	24"	RVS485-24

A  
B  
C  
D  
E  
F  
G  
H  
I  
J  
K  
L  
M  
N  
O  
P  
Q  
R  
S  
T  
U  
V  
W  
X  
Y

**A REEVE ACCESSORIES**

**Steel Shelf Rests, Sockets, and Rubber Cushions**



\* = Sold in full boxes only.

	Item #	Description	Box Qty	Finish
A	RVS43-1	Use with right or left RV81 Series Brackets, RV4 Rubber Cushions included	144	Brillatone (Zinc)
B	RVS43-2	Use with RV41, 43, 81CZC and 485 Series Brackets, RV4 Rubber Cushions included	144	Brillatone (Zinc)
C	RVS743-C	Center Shelf Rest supports with mounting holes, RV4 Rubber Cushions included	144	Brillatone (Zinc)
D	RVS743-L	Left Shelf Rest supports with mounting holes, RV4 Rubber Cushions included	144	Brillatone (Zinc)
E	RVS743-R	Right Shelf Rest supports with mounting holes, RV4 Rubber Cushions included	144	Brillatone (Zinc)
F	RVS49-B	Bottom Socket for stabilizing RV20/40 Series Standards	100	Brillatone (Zinc)
G	RVS49-T	Top Socket for stabilizing RV20/40 Series Standards	100	Brillatone (Zinc)
H	RVS4	Rubber Cushion, 1/2" diameter, suction surface holds glass in place	100*	Gray



**Shelf Bracket For Slatwall**

- 14 gauge backplate, tempered steel bracket
- Finish: Chrome



Item #	Length
RVS108-10	10"
RVS108-12	12"
RVS108-14	14"
RVS108-16	16"



**1/4" Diameter Hook For Slatwall**

- 14 gauge cold rolled steel, 1"W
- Finishes: Chrome and Zinc

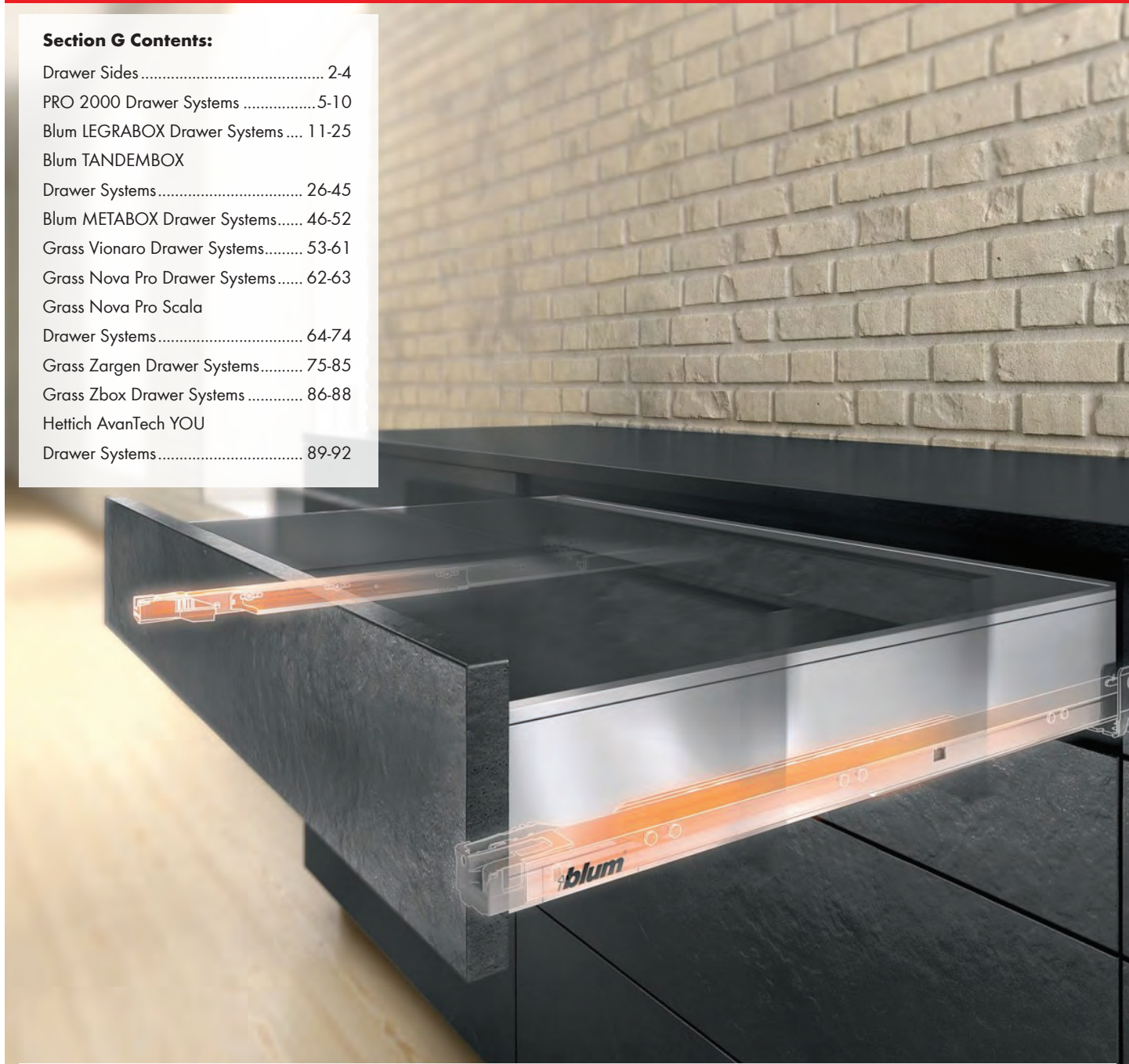


Length	Chrome Item #	Zinc Item #
4"	RVS91-4CH	RVS91-4-ZC
6"	RVS91-6CH	-
8"	RVS91-8CH	RVS91-8-ZC
10"	RVS91-10CH	RVS91-10-ZC
12"	RVS91-12CH	RVS91-12-ZC

**SECTION G - TABLE OF CONTENTS**

**Section G Contents:**

Drawer Sides ..... 2-4  
 PRO 2000 Drawer Systems ..... 5-10  
 Blum LEGRABOX Drawer Systems .... 11-25  
 Blum TANDEMBOX  
 Drawer Systems ..... 26-45  
 Blum METABOX Drawer Systems ..... 46-52  
 Grass Vionario Drawer Systems ..... 53-61  
 Grass Nova Pro Drawer Systems ..... 62-63  
 Grass Nova Pro Scala  
 Drawer Systems ..... 64-74  
 Grass Zargen Drawer Systems ..... 75-85  
 Grass Zbox Drawer Systems ..... 86-88  
 Hettich AvanTech YOU  
 Drawer Systems ..... 89-92



- A
- B
- C
- D
- E
- F
- G**
- H
- I
- J
- K
- L
- M
- N
- O
- P
- Q
- R
- S
- T
- U
- V
- W
- X
- Y



NOTE: Some of the items in this section are not available in all markets. Please contact your Würth Louis and Company representative for more information.

A  
B  
C  
D  
E  
F  
**G**  
H  
I  
J  
K  
L  
M  
N  
O  
P  
Q  
R  
S  
T  
U  
V  
W  
X  
Y

**DRAWER SIDES**



**Wood Drawer Sides,  
0.47" Thick With 9/32" Groove**



- Slightly bull-nosed on top edge
- Grooved 1/2" from the bottom - enough clearance for under-mount slides
- Zero VOC UV Treated Clearcoat on both sides
- CARB II Compliant (California Air Resources Board Phase II)

Item #	Thickness	Height	Length	Groove	Species	Sold In
WWRB12MM60-3-1/2	0.47"	3-1/2"	60"	9/32"	Baltic Birch	Per Each
WWRB12MM60-4	0.47"	4"	60"	9/32"	Baltic Birch	Per Each
WWRB12MM60-6	0.47"	6"	60"	9/32"	Baltic Birch	Per Each
WWRB12MM60-8	0.47"	8"	60"	9/32"	Baltic Birch	Per Each
WWRB12MM60-10	0.47"	10"	60"	9/32"	Baltic Birch	Per Each
WWRB12MM60-11-5/8	0.47"	11-5/8"	60"	9/32"	Baltic Birch	Per Each



**Wood Drawer Sides,  
0.59" Thick With 9/32" Groove**



- Slightly bull-nosed on top edge
- Grooved 1/2" from the bottom - enough clearance for under-mount slides
- Zero VOC UV Treated Clearcoat on both sides
- CARB II Compliant (California Air Resources Board Phase II)

Item #	Thickness	Height	Length	Groove	Species	Sold In
WWRB15MM60-2	0.59"	2"	60"	9/32"	Baltic Birch	Per Each
WWRB15MM60-3-1/2	0.59"	3-1/2"	60"	9/32"	Baltic Birch	Per Each
WWRB15MM60-4	0.59"	4"	60"	9/32"	Baltic Birch	Per Each
WWRB15MM60-6	0.59"	6"	60"	9/32"	Baltic Birch	Per Each
WWRB15MM60-8	0.59"	8"	60"	9/32"	Baltic Birch	Per Each
WWRB15MM60-10	0.59"	10"	60"	9/32"	Baltic Birch	Per Each
WWRB15MM60-11-5/8	0.59"	11-5/8"	60"	9/32"	Baltic Birch	Per Each



**DRAWER SIDES**



**Wood Drawer Sides,  
0.47" Thick With 1/4" Groove**



- Slightly bull-nosed on top edge
- Grooved 1/2" from the bottom - enough clearance for under-mount slides
- Zero VOC UV Treated Clearcoat on both sides
- CARB II Compliant (California Air Resources Board Phase II)

Item #	Thickness	Height	Length	Groove	Species	Sold In
WWRB12MM60-3-1/2Q	0.47"	3-1/2"	60"	1/4"	Baltic Birch	Per Each
WWRB12MM60-4Q	0.47"	4"	60"	1/4"	Baltic Birch	Per Each
WWRB12MM60-6Q	0.47"	6"	60"	1/4"	Baltic Birch	Per Each
WWRB12MM60-8Q	0.47"	8"	60"	1/4"	Baltic Birch	Per Each
WWRB12MM60-10Q	0.47"	10"	60"	1/4"	Baltic Birch	Per Each

**Drawer Side Material For Closets  
1/2" Thick Miterfold White Vinyl Wrapped Blanks**



- Designed for standard 18" and 24" W x 14" D closet openings
- Drawers assemble quickly from blanks by using wood glue, folding sides around matching drawer bottom and closing remaining side onto dowels
- BHK miterfold white vinyl drawer sides are sealed with "Durawrap", an abrasion resistant surface that is durable and easy to clean
- Vinyl material is 8 mil thick and is non-flammable, the core is made of high density particle board for greater screw holding strength
- All vinyl miterfold drawers have 1/4" drawer bottom dado and 3/8" bottom reveal

NOTE: Other sizes and colors/woodgrains available with 100 piece minimum per size.

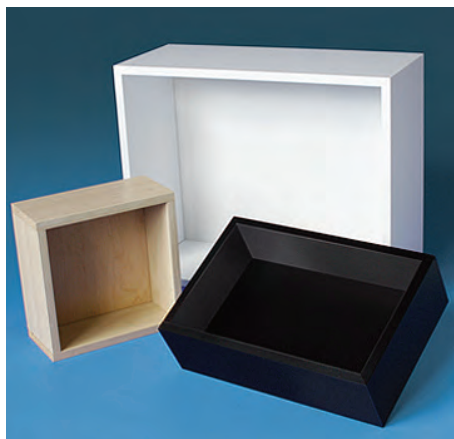


Item #	Size
<b>Drawer Sides For 18" W x 14" D Opening</b>	
BHKSFBDM18	13.77" (350mm) D x 16.96" (431mm) W x 7" (178mm) H
<b>Drawer Sides For 24" W x 14" D Opening</b>	
BHKSFBDS24	13.77" (350mm) D x 22.95" (583mm) W x 2.75" (70mm) H
BHKSFDA24	13.77" (350mm) D x 22.95" (583mm) W x 4.5" (114mm) H
BHKSFBDM24	13.77" (350mm) D x 22.95" (583mm) W x 7" (178mm) H
<b>Drawer Bottom For Above 18" Wide Drawer</b>	
BHKSFBBT18	1/4" Thick x 13.18" (335mm) D x 16.38"(416mm) W
<b>Drawer Bottom For Above 24" Wide Drawer</b>	
BHKSFBBT24	1/4" Thick x 13.18" (335mm) D x 22.36" (568mm) W

A  
B  
C  
D  
E  
F  
G  
H  
I  
J  
K  
L  
M  
N  
O  
P  
Q  
R  
S  
T  
U  
V  
W  
X  
Y

A  
B  
C  
D  
E  
F  
G  
H  
I  
J  
K  
L  
M  
N  
O  
P  
Q  
R  
S  
T  
U  
V  
W  
X  
Y

## DRAWER SIDES



### 1/2" Thick Solid Wood, Wood Veneer Plywood & Vinyl Wrapped Blanks



- Vinyl "Durawrap" material is 8 mil thick and non-flammable, blanks have a core made of high density particle board for greater screw holding strength
- Pre-finished with "Endura" ultra violet cured top coat and are ready to assemble
- All drawer blanks have 1/4" drawer bottom dado and a 3/8" bottom reveal
- In-stock 1/2" Maple Plywood, Baltic Birch Plywood and SuperMatte Vinyl in Black and White colors
- Baltic Birch Plywood blanks are made from 1st quality Baltic Birch veneers, bonded to ANSI/BIFMA spec 7 layer plywood cores
- Blanks have a square edge profile

NOTE: Other heights and species available.  
Also available in complete assembled or unassembled drawers.

Wood Drawer Sides - 8' Length (Except Baltic Birch is 5' Length)		
Drawer Height	1/2" Thick Maple Item #	12mm Thick Baltic Birch Item #
2-3/4"	-	BHK02.75X5G-RB
3"	BHK03X8G-MPL	BHK03X5G-RB
4"	BHK04X8G-MPL	BHK04X5G-RB
5"	BHK05X8G-MPL	BHK05X5G-RB
6"	BHK06X8G-MPL	BHK06X5G-RB
7"	BHK07X8G-MPL	-
8"	BHK08X8G-MPL	BHK08X5G-RB
10"	BHK10X8G-MPL	BHK10X5G-RB
1/2" Thick Vinyl Drawer Sides - 8' Length		
Drawer Height	White Vinyl Item #	Black Vinyl Item #
2-3/4"	BHK02.75X8G-WH	-
3"	BHK3X8G-WH	-
3-1/2"	BHK03.5X8G-WH	-
4"	BHK4X8G-WH	BHK4X8G-BLK
5"	BHK05X8G-WH	-
5-1/2"	BHK5.5X8G-WH	-
6"	BHK06X8G-WH	-
7"	BHK07X8G-WH	-
7-3/4"	BHK7.75X8G-WH	-
10"	BHK10X8G-WH	BHK10X8G-BLK

**PRO 2000 GREY DOUBLE WALL DRAWER KITS**

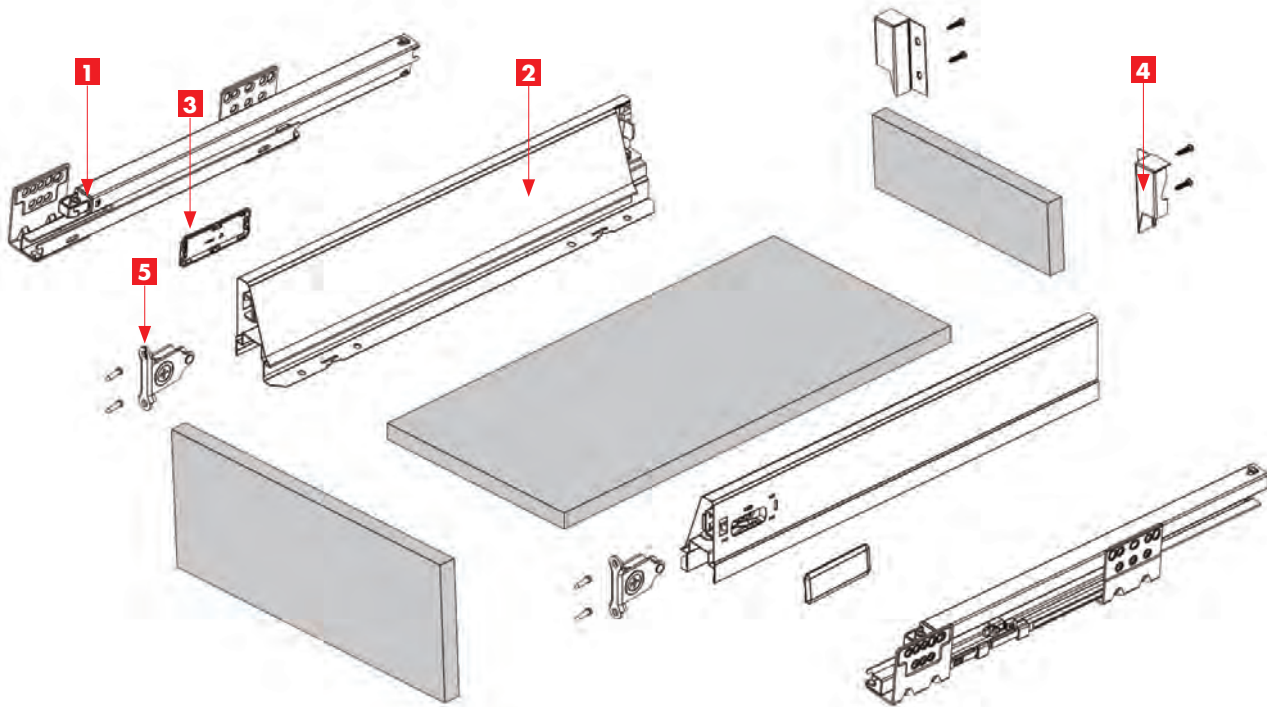


- Full extension synchronized drawer slides allow for easy use of the entire drawer, with no wasted space
- Soft-close for a smooth and quiet closing action
- 2D adjustment with vertical and horizontal adjustment of the front panel
- Silver drawer kits available Special Order

**Kit Includes (see diagram):**

1. Concealed Drawer Runners - Left & Right
2. Powder-Coated Drawer Sides - Left & Right
3. Polymer Cover Caps - Left & Right
4. 86mm/3.39" Back Panel Adapters - Left & Right
5. Front Fixing Brackets (w/dowel) - 2 pieces

Item #	Height	Length
PRO2000SLDG-270	86mm/3.39"	270mm/10"
PRO2000SLDG-300	86mm/3.39"	300mm/12"
PRO2000SLDG-350	86mm/3.39"	350mm/14"
PRO2000SLDG-400	86mm/3.39"	400mm/16"
PRO2000SLDG-450	86mm/3.39"	450mm/18"
PRO2000SLDG-500	86mm/3.39"	500mm/20"
PRO2000SLDG-550	86mm/3.39"	550mm/22"



A  
B  
C  
D  
E  
F  
G  
H  
I  
J  
K  
L  
M  
N  
O  
P  
Q  
R  
S  
T  
U  
V  
W  
X  
Y

**A PRO 2000 GALLERY RAIL REAR BRACKETS (OPTIONAL)**



H130 Single Gallery Rail

**Extends the Drawer Height for Base Drawers**

Turn 86mm/3.39" drawers into 130mm/5.12" or 190mm/7.48" heights without having to change the slide mechanism!



**Steps:**

- 1.) Choose drawer system from previous page
- 2.) Choose rear adapter to achieve desired height and number of gallery rails (below)
- 3.) Choose style and length of the gallery rail (next page)

**Rear Adapters**

Sold as a pair - includes left & right bracket

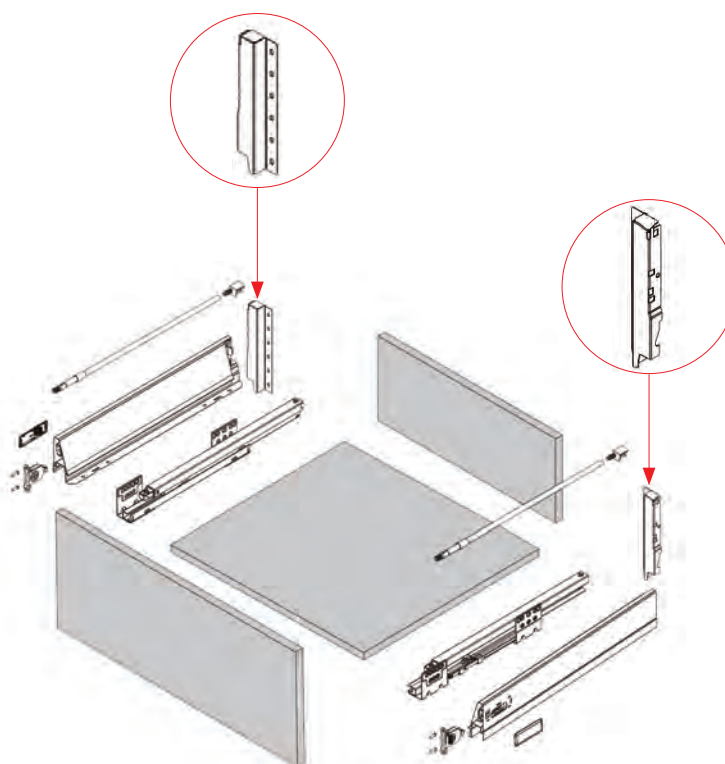


H190 Single Gallery Rail

Item #	Height	Style
PRO2000RBG-130	130mm/5.12"	Rear Adapter for 1 Gallery Rail
PRO2000RBG190	190mm/7.48"	Rear Adapter for 1 & 2 Gallery Rails



H190 Double Gallery Rail



A  
B  
C  
D  
E  
F  
G  
H  
I  
J  
K  
L  
M  
N  
O  
P  
Q  
R  
S  
T  
U  
V  
W  
X  
Y

## PRO 2000 GALLERY RAILS (OPTIONAL)

- A variety of styles with single round, double round, and single square options available
- Both round and square gallery rails are compatible with the same rear bracket
- H130/H190 drawers can be used in multiple applications such as in kitchen pan drawers and office file drawers



Single Square Gallery Rails



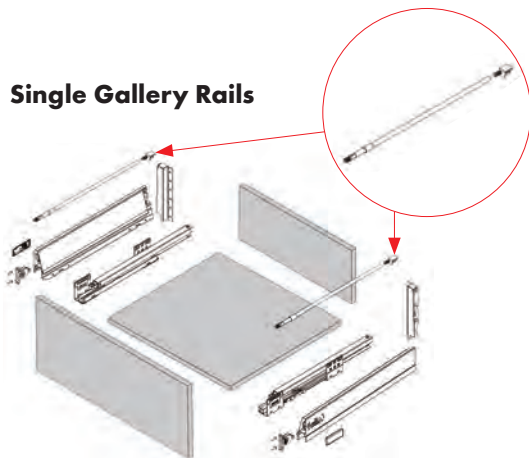
Single Round Gallery Rails



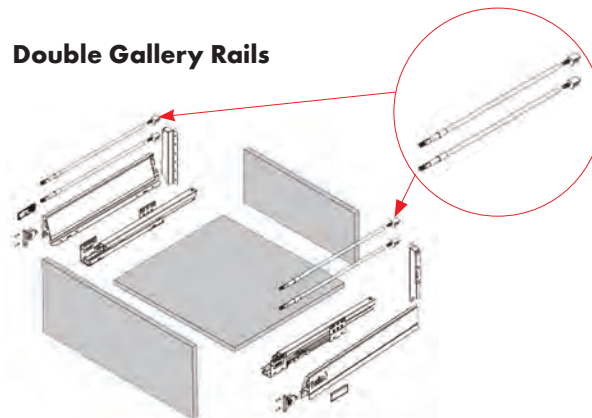
Double Round Gallery Rails

Item #	Length
<b>Single Square Gallery Rails - Includes 2 gallery rails plus clips to mount to rear brackets</b>	
PRO2000SSQG-270	270mm/10"
PRO2000SSQG-300	300mm/12"
PRO2000SSQG-350	350mm/14"
PRO2000SSQG-400	400mm/16"
PRO2000SSQG-450	450mm/18"
PRO2000SSQG-500	500mm/20"
PRO2000SSQG-550	550mm/22"
<b>Single Round Gallery Rails - Includes 2 gallery rails plus clips to mount onto rear brackets</b>	
PRO2000SRDG-270	270mm/10"
PRO2000SRDG-300	300mm/12"
PRO2000SRDG-350	350mm/14"
PRO2000SRDG-400	400mm/16"
PRO2000SRDG-450	450mm/18"
PRO2000SRDG-500	500mm/20"
PRO2000SRDG-550	550mm/22"
<b>Double Round Gallery Rails - Includes 4 gallery rails plus clips to mount onto rear brackets</b>	
PRO2000DRDG-270	270mm/10"
PRO2000DRDG-300	300mm/12"
PRO2000DRDG-350	350mm/14"
PRO2000DRDG-400	400mm/16"
PRO2000DRDG-450	450mm/18"
PRO2000DRDG-500	500mm/20"
PRO2000DRDG-550	550mm/22"

Single Gallery Rails



Double Gallery Rails



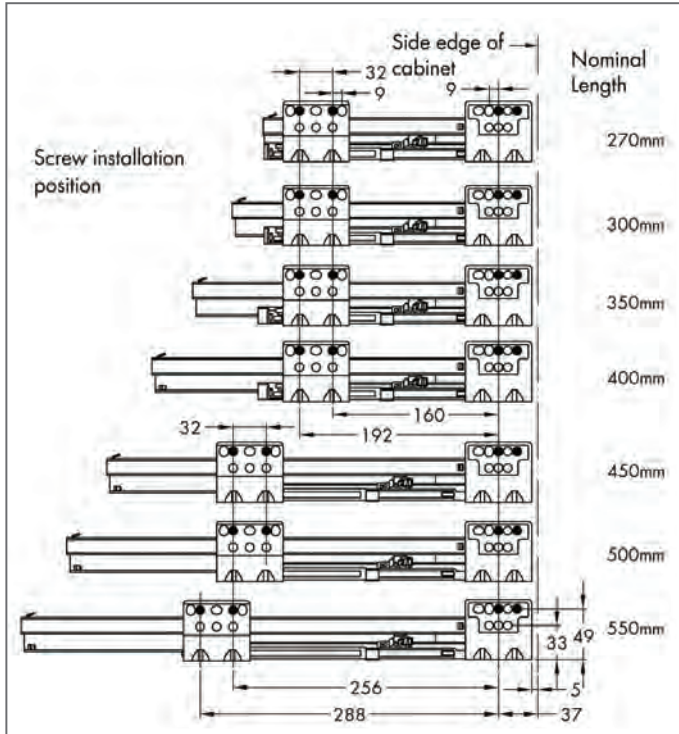
A  
B  
C  
D  
E  
F  
G  
H  
I  
J  
K  
L  
M  
N  
O  
P  
Q  
R  
S  
T  
U  
V  
W  
X  
Y

**A PRO 2000 INSTALLATION INSTRUCTIONS & SPECS**

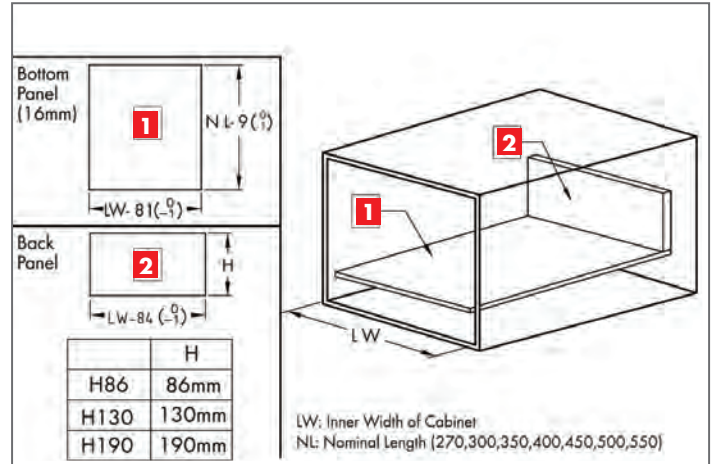
**B  
C  
D  
E  
F  
G  
H  
I  
J  
K  
L  
M  
N  
O  
P  
Q  
R  
S  
T  
U  
V  
W  
X  
Y**



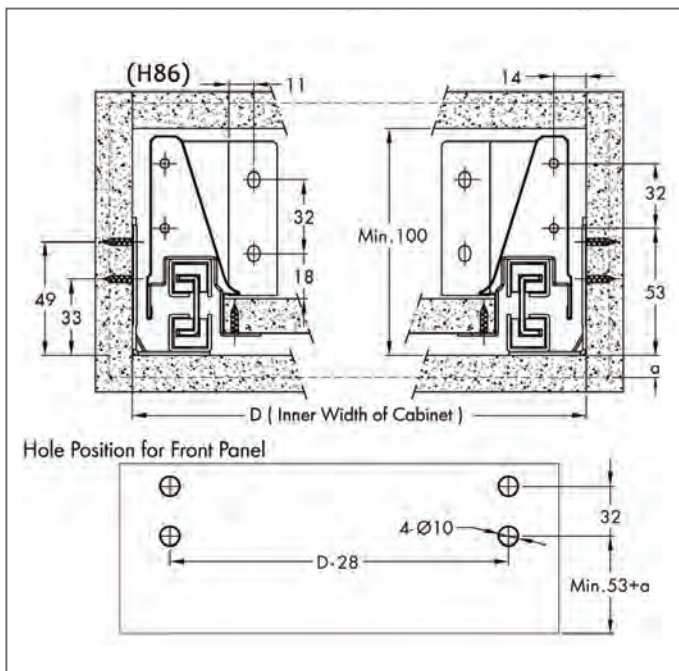
**Runner Installation**



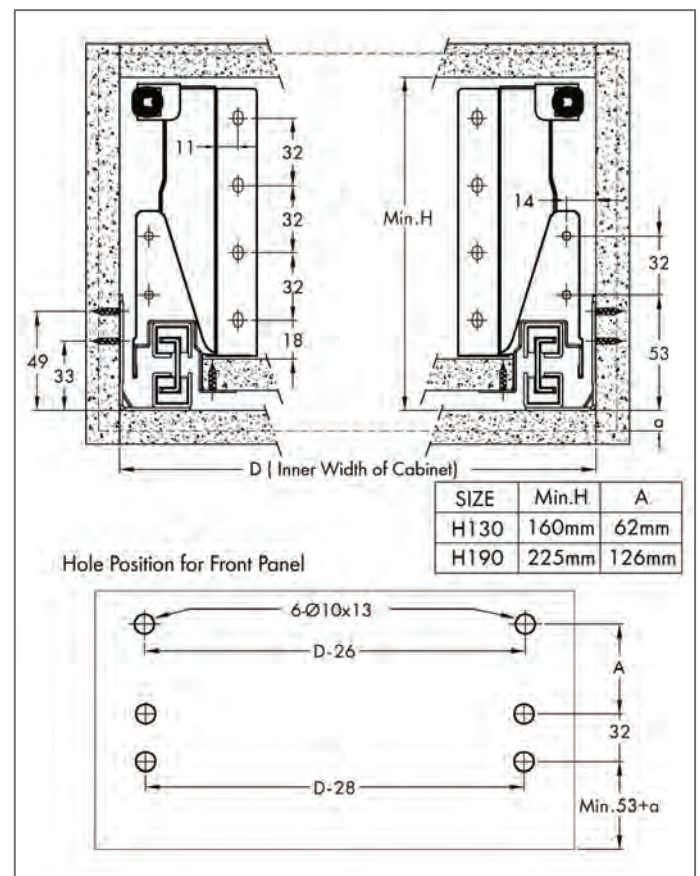
**Blanking Size of Bottom & Back Panel**



**Drawer Box Installation (H86)**



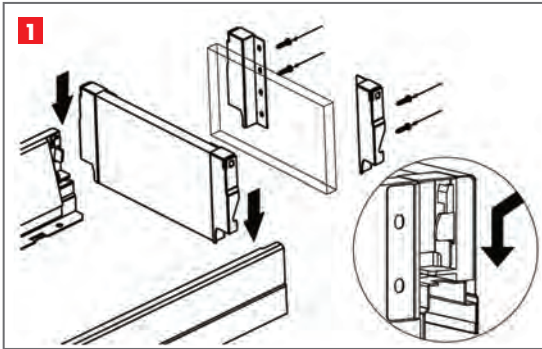
**Drawer Box Installation (H130/H190)**



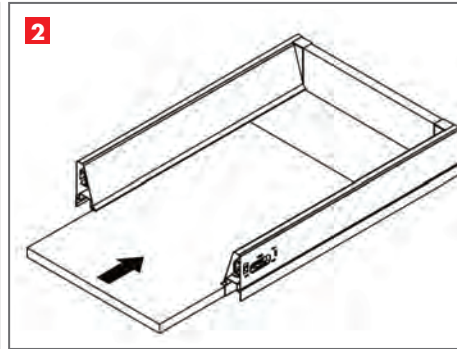
**PRO 2000 ASSEMBLY INSTRUCTIONS**



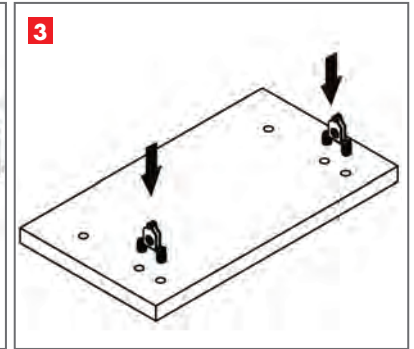
**Back assembly**



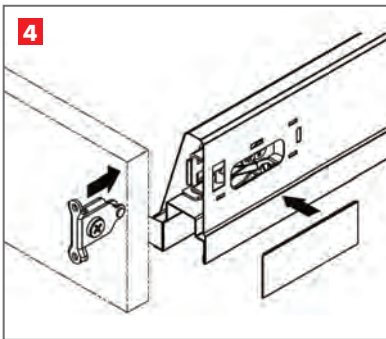
**Bottom assembly**



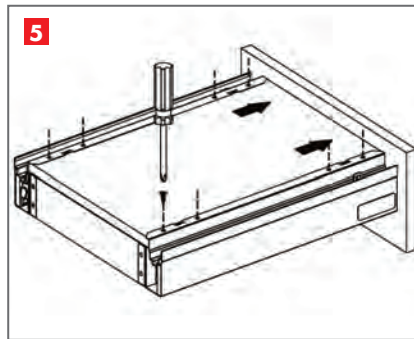
**Front assembly**



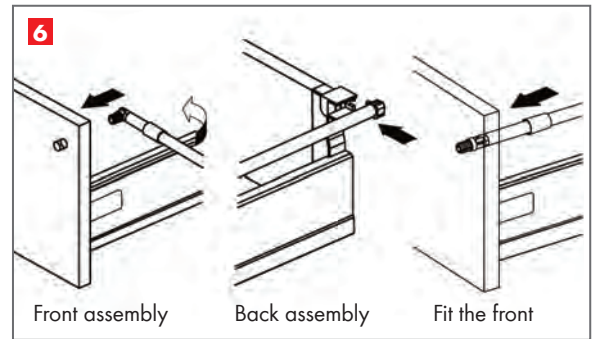
**Front assembly**



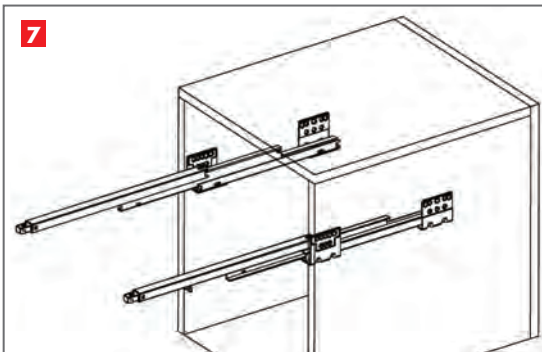
**Fix screws**



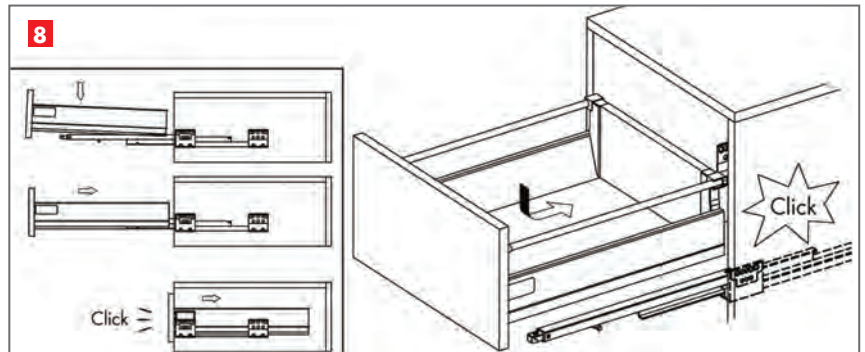
**Rails assembly**



**Fix slides**



**Slide into the cabinet**



- A
- B
- C
- D
- E
- F
- G**
- H
- I
- J
- K
- L
- M
- N
- O
- P
- Q
- R
- S
- T
- U
- V
- W
- X
- Y

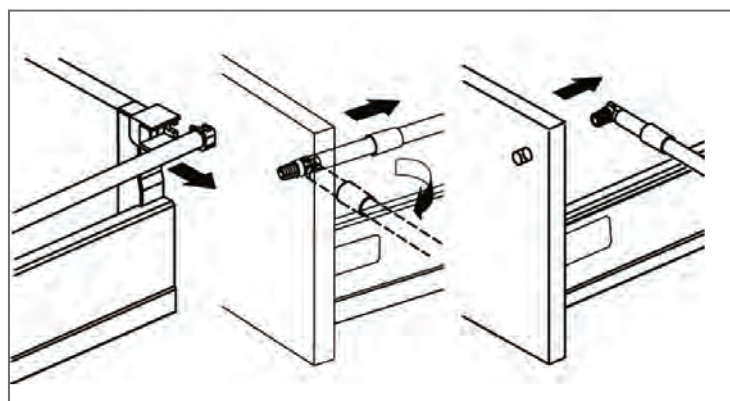
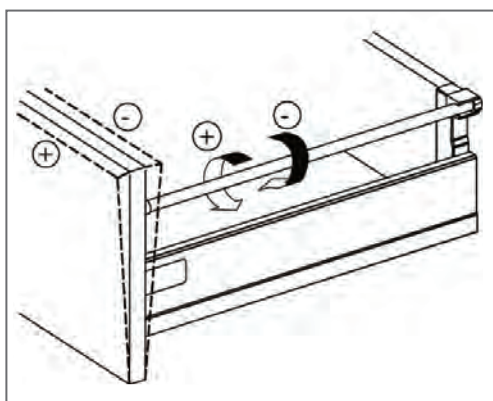
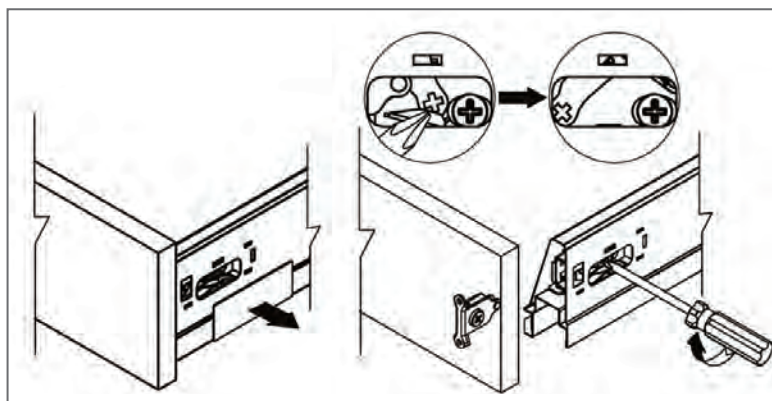
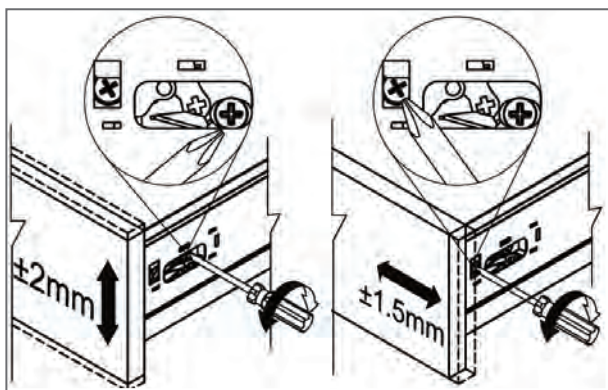
**A PRO 2000 ADJUSTMENT & DISASSEMBLY INSTRUCTIONS**

**A**  
**B**  
**C**  
**D**  
**E**  
**F**  
**G**  
**H**  
**I**  
**J**  
**K**  
**L**  
**M**  
**N**  
**O**  
**P**  
**Q**  
**R**  
**S**  
**T**  
**U**  
**V**  
**W**  
**X**  
**Y**

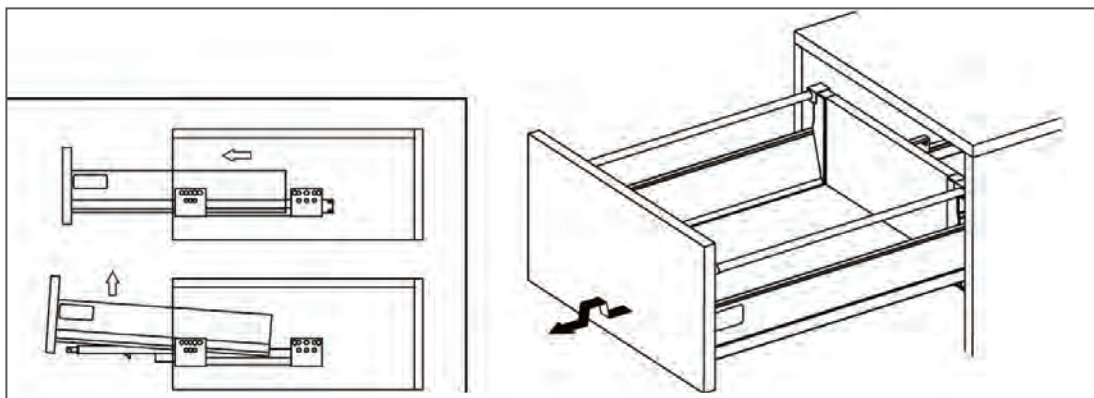


Tip up the cover and pull out

Pull out the drawer



Pull out the drawer





**BLUM LEGRABOX PREMIUM METAL DRAWER SYSTEMS**

A  
B  
C  
D  
E  
F  
**G**  
H  
I  
J  
K  
L  
M  
N  
O  
P  
Q  
R  
S  
T  
U  
V  
W  
X  
Y



**LEGRABOX 2-5/8" (66.5mm) N Height  
Drawer Kits**



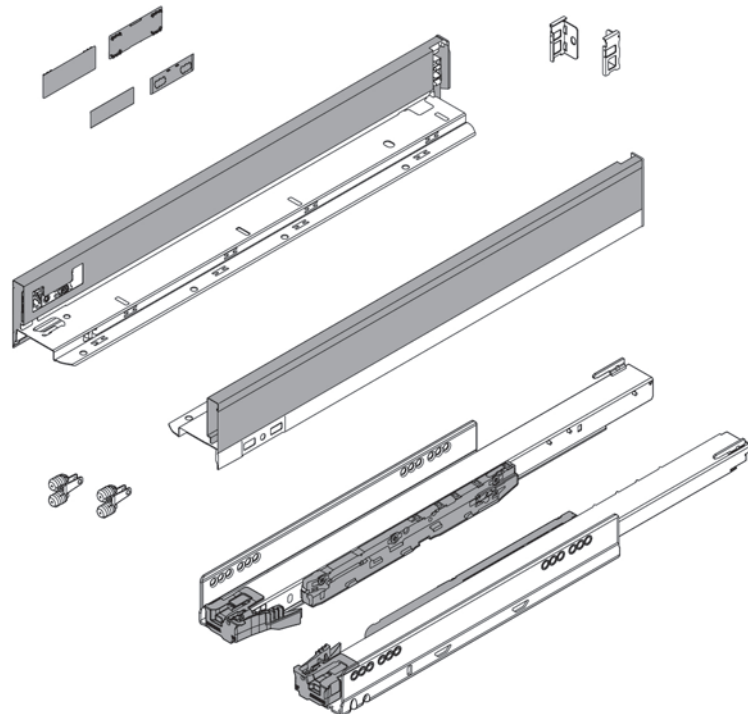
- Full extension drawer system with BLUMOTION
- Smooth running action
- Two-dimensional drawer front adjustment
- Compatible with TIP-ON BLUMOTION and SERVO-DRIVE
- Available finishes: orion gray and stainless steel

**Drawer kit includes:**

- (1) pair of drawer profiles (color coordinated cover caps included in a drawer profile box inside the kit)
- (1) pair of cabinet profiles
- (1) pair of rear fixing brackets
- (1) set of front fixing brackets

Orion Gray Item #	Stainless Steel Item #	Length	Load Capacity
<b>125 lb Static/110 lb Dynamic</b>			
B770N45S-18GR	B770N45S-18SS	18"	125 lb Static/110 lb Dynamic
B770N50S-20GR	B770N50S-20SS	20"	125 lb Static/110 lb Dynamic
B770N55S-22GR	B770N55S-22SS	22"	125 lb Static/110 lb Dynamic

**Components:**



A  
B  
C  
D  
E  
F  
G  
H  
I  
J  
K  
L  
M  
N  
O  
P  
Q  
R  
S  
T  
U  
V  
W  
X  
Y

**BLUM LEGRABOX PREMIUM METAL DRAWER SYSTEMS**



**LEGRABOX 3-9/16" (90.5mm)  
M Height Drawer Kits**



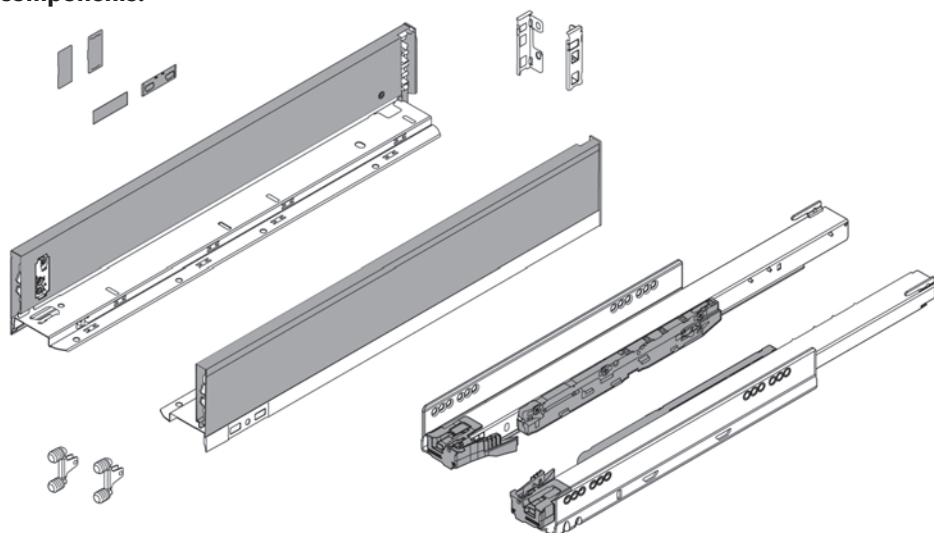
- Full extension drawer system with BLUMOTION
- Smooth running action
- Two-dimensional drawer front adjustment
- Compatible with TIP-ON BLUMOTION and SERVO-DRIVE
- Available finishes: orion gray and stainless steel

**Drawer kit includes:**

- (1) pair of drawer profiles (color coordinated cover caps included in a drawer profile box inside the kit)
- (1) pair of cabinet profiles
- (1) pair of rear fixing brackets
- (1) set of front fixing brackets

Orion Gray Item #	Stainless Steel Item #	Length	Load Capacity
<b>125 lb Static/110 lb Dynamic</b>			
B770M27S-11GR	B770M27S-11SS	11"	125 lb Static/110 lb Dynamic
B770M35S-14GR	B770M35S-14SS	14"	125 lb Static/110 lb Dynamic
B770M40S-16GR	B770M40S-16SS	16"	125 lb Static/110 lb Dynamic
B770M45S-18GR	B770M45S-18SS	18"	125 lb Static/110 lb Dynamic
B770M50S-20GR	B770M50S-20SS	20"	125 lb Static/110 lb Dynamic
B770M55S-22GR	B770M55S-22SS	22"	125 lb Static/110 lb Dynamic
<b>170 lb Static/155 lb Dynamic</b>			
B773M45S-18GR	B773M45S-18SS	18"	170 lb Static/155 lb Dynamic
B773M50S-20GR	B773M50S-20SS	20"	170 lb Static/155 lb Dynamic
B773M55S-22GR	B773M55S-22SS	22"	170 lb Static/155 lb Dynamic
B773M60S-24GR	B773M60S-24SS	24"	170 lb Static/155 lb Dynamic
B773M65S-26GR	B773M65S-26SS	26"	170 lb Static/155 lb Dynamic

**Components:**



**BLUM LEGRABOX PREMIUM METAL DRAWER SYSTEMS**

A  
B  
C  
D  
E  
F  
G  
H  
I  
J  
K  
L  
M  
N  
O  
P  
Q  
R  
S  
T  
U  
V  
W  
X  
Y

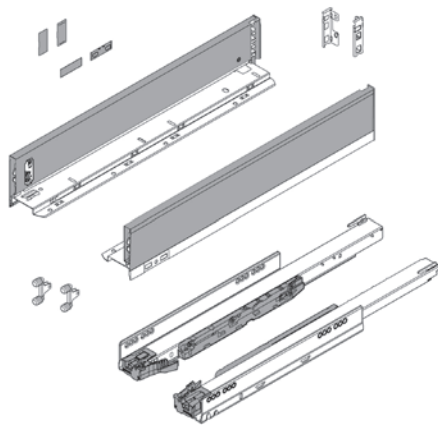


**LEGRABOX 3-9/16" (90.5mm)  
M Height Drawer Kits w/Interior Roll Out**

- Full extension drawer system with BLUMOTION
- Smooth running action
- Two-dimensional drawer front adjustment
- Compatible with TIP-ON BLUMOTION and SERVO-DRIVE
- Available finishes: orion gray and stainless steel

**Drawer kit includes:**

- (1) pair of drawer profiles (color coordinated cover caps included in a drawer profile box inside the kit)
- (1) pair of cabinet profiles
- (1) pair of rear fixing brackets
- (1) set of front fixing brackets



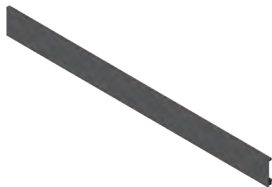
Orion Gray Item #	Stainless Steel Item #	Length	Load Capacity
<b>125 lb Static/110 lb Dynamic</b>			
B770M27S-11GR	B770M27S-11SS	11"	125 lb Static/110 lb Dynamic
B770M35S-14GR	B770M35S-14SS	14"	125 lb Static/110 lb Dynamic
B770M40S-16GR	B770M40S-16SS	16"	125 lb Static/110 lb Dynamic
B770M45S-18GR	B770M45S-18SS	18"	125 lb Static/110 lb Dynamic
B770M50S-20GR	B770M50S-20SS	20"	125 lb Static/110 lb Dynamic
B770M55S-22GR	B770M55S-22SS	22"	125 lb Static/110 lb Dynamic
<b>170 lb Static/155 lb Dynamic</b>			
B773M45S-18GR	B773M45S-18SS	18"	170 lb Static/155 lb Dynamic
B773M50S-20GR	B773M50S-20SS	20"	170 lb Static/155 lb Dynamic
B773M55S-22GR	B773M55S-22SS	22"	170 lb Static/155 lb Dynamic
B773M60S-24GR	B773M60S-24SS	24"	170 lb Static/155 lb Dynamic
B773M65S-26GR	B773M65S-26SS	26"	170 lb Static/155 lb Dynamic

**Required Components for Interior Roll Out**

**Front Piece**

- Length 41-1/16" (1043mm), cut to size

Orion Gray Item #	Stainless Steel Item #
BZV7.1043C01-GR	BZV7.1043C01-ELN

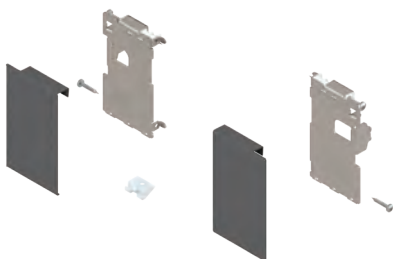


**Interior Front Fixing Bracket Set**

**Set Includes:**

- Left and right front fixing brackets
- Left and right outer cover caps
- Locking piece
- Screws

Orion Gray Item #	Stainless Steel Item #
BZ17.0MS0-GR	BZ17.0MI0-IGL



**A BLUM LEGRABOX PREMIUM METAL DRAWER SYSTEMS**

**B  
C  
D  
E  
F  
G  
H  
I  
J  
K  
L  
M  
N  
O  
P  
Q  
R  
S  
T  
U  
V  
W  
X  
Y**



**LEGRABOX 5-1/16" (128.5mm)**

**K Height Drawer Kits**



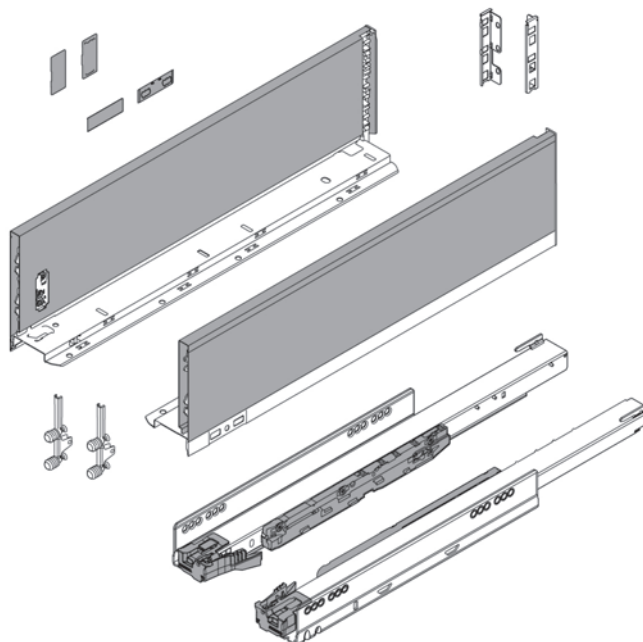
- Full extension drawer system with BLUMOTION
- Smooth running action
- Two-dimensional drawer front adjustment
- Compatible with TIP-ON BLUMOTION and SERVO-DRIVE
- Available finishes: orion gray and stainless steel

**Drawer kit includes:**

- (1) pair of drawer profiles (color coordinated cover caps included in a drawer profile box inside the kit)
- (1) pair of cabinet profiles
- (1) pair of rear fixing brackets
- (1) set of front fixing brackets

Orion Gray Item #	Stainless Steel Item #	Length	Load Capacity
<b>125 lb Static/110 lb Dynamic</b>			
B770K35S-14GR	B770K35S-14SS	14"	125 lb Static/110 lb Dynamic
B770K40S-16GR	B770K40S-16SS	16"	125 lb Static/110 lb Dynamic
B770K45S-18GR	B770K45S-18SS	18"	125 lb Static/110 lb Dynamic
B770K50S-20GR	B770K50S-20SS	20"	125 lb Static/110 lb Dynamic
B770K55S-22GR	B770K55S-22SS	22"	125 lb Static/110 lb Dynamic
<b>170 lb Static/155 lb Dynamic</b>			
B773K45S-18GR	B773K45S-18SS	18"	170 lb Static/155 lb Dynamic
B773K50S-20GR	B773K50S-20SS	20"	170 lb Static/155 lb Dynamic
B773K55S-22GR	B773K55S-22SS	22"	170 lb Static/155 lb Dynamic

**Components:**



## BLUM LEGRABOX PREMIUM METAL DRAWER SYSTEMS



### LEGRABOX 7" (177mm) C Height Drawer Kits



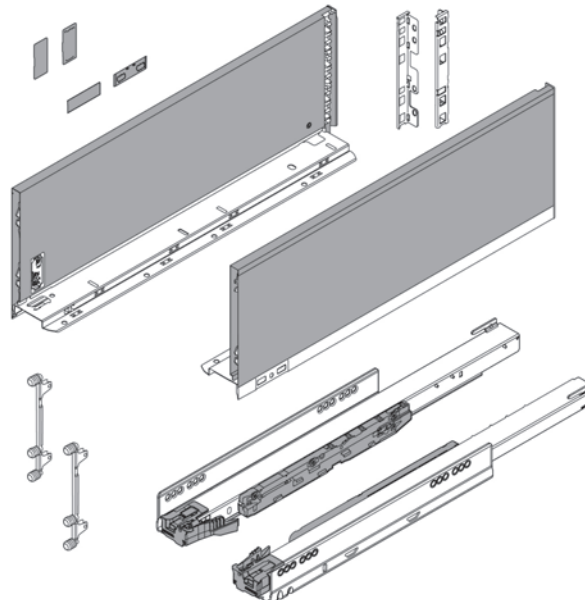
- Full extension drawer system with BLUMOTION
- Smooth running action
- Two-dimensional drawer front adjustment
- Compatible with TIP-ON BLUMOTION and SERVO-DRIVE
- Available finishes: orion gray and stainless steel

**Drawer kit includes:**

- (1) pair of drawer profiles (color coordinated cover caps included in a drawer profile box inside the kit)
- (1) pair of cabinet profiles
- (1) pair of rear fixing brackets
- (1) set of front fixing brackets

Orion Gray Item #	Stainless Steel Item #	Length	Load Capacity
<b>125 lb Static/110 lb Dynamic</b>			
B770C27S-11GR	B770C27S-11SS	11"	125 lb Static/110 lb Dynamic
B770C35S-14GR	B770C35S-14SS	14"	125 lb Static/110 lb Dynamic
B770C40S-16GR	B770C40S-16SS	16"	125 lb Static/110 lb Dynamic
B770C45S-18GR	B770C45S-18SS	18"	125 lb Static/110 lb Dynamic
B770C50S-20GR	B770C50S-20SS	20"	125 lb Static/110 lb Dynamic
B770C55S-22GR	B770C55S-22SS	22"	125 lb Static/110 lb Dynamic
<b>170 lb Static/155 lb Dynamic</b>			
B773C45S-18GR	B773C45S-18SS	18"	170 lb Static/155 lb Dynamic
B773C50S-20GR	B773C50S-20SS	20"	170 lb Static/155 lb Dynamic
B773C55S-22GR	B773C55S-22SS	22"	170 lb Static/155 lb Dynamic
B773C60S-24GR	B773C60S-24SS	24"	170 lb Static/155 lb Dynamic
B773C65S-26GR	B773C65S-26SS	26"	170 lb Static/155 lb Dynamic

**Components:**



A  
B  
C  
D  
E  
F  
G  
H  
I  
J  
K  
L  
M  
N  
O  
P  
Q  
R  
S  
T  
U  
V  
W  
X  
Y

A  
B  
C  
D  
E  
F  
G  
H  
I  
J  
K  
L  
M  
N  
O  
P  
Q  
R  
S  
T  
U  
V  
W  
X  
Y

**BLUM LEGRABOX PREMIUM METAL DRAWER SYSTEMS**



**LEGRABOX 7" (177mm)**

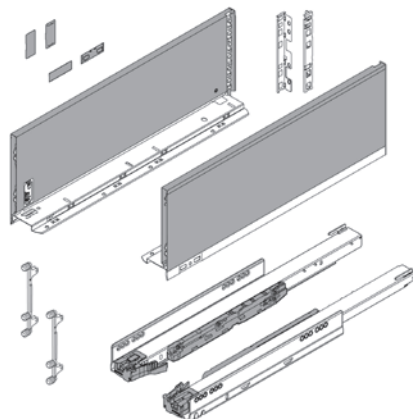
**C Height Drawer Kits w/Interior Roll Out**



- Full extension drawer system with BLUMOTION
- Smooth running action
- Two-dimensional drawer front adjustment
- Compatible with TIP-ON BLUMOTION and SERVO-DRIVE
- Available finishes: orion gray and stainless steel

**Drawer kit includes:**

- (1) pair of drawer profiles (color coordinated cover caps included in a drawer profile box inside the kit)
- (1) pair of cabinet profiles
- (1) pair of rear fixing brackets
- (1) set of front fixing brackets



Orion Gray Item #	Stainless Steel Item #	Length	Load Capacity
<b>125 lb Static/110 lb Dynamic</b>			
B770C27S-11GR	B770C27S-11SS	11"	125 lb Static/110 lb Dynamic
B770C35S-14GR	B770C35S-14SS	14"	125 lb Static/110 lb Dynamic
B770C40S-16GR	B770C40S-16SS	16"	125 lb Static/110 lb Dynamic
B770C45S-18GR	B770C45S-18SS	18"	125 lb Static/110 lb Dynamic
B770C50S-20GR	B770C50S-20SS	20"	125 lb Static/110 lb Dynamic
B770C55S-22GR	B770C55S-22SS	22"	125 lb Static/110 lb Dynamic
<b>170 lb Static/155 lb Dynamic</b>			
B773C45S-18GR	B773C45S-18SS	18"	170 lb Static/155 lb Dynamic
B773C50S-20GR	B773C50S-20SS	20"	170 lb Static/155 lb Dynamic
B773C55S-22GR	B773C55S-22SS	22"	170 lb Static/155 lb Dynamic
B773C60S-24GR	B773C60S-24SS	24"	170 lb Static/155 lb Dynamic
B773C65S-26GR	B773C65S-26SS	26"	170 lb Static/155 lb Dynamic

**Required Components for Interior Roll Out**

**Front Piece**

- Length 41-1/16" (1043mm), cut to size

Orion Gray Item #	Stainless Steel Item #
BZV7.1043C01-GR	BZV7.1043C01-ELN

**Interior Front Fixing Bracket Set, Set Includes:**

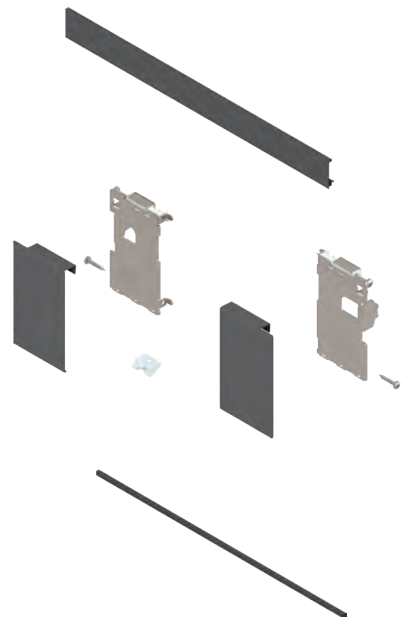
- Left and right front fixing brackets
- Left and right outer cover caps
- Locking piece
- Screws

Orion Gray Item #	Stainless Steel Item #
BZI7.0MS0-GR	BZI7.0MI0-IGL

**Cross Gallery Rail**

- Length 42-1/2" (1080mm), cut to size

Orion Gray Item #	Stainless Steel Item #
BZR7.1080U-GR	BZR7.1080U-ELN



**BLUM LEGRABOX PREMIUM METAL DRAWER SYSTEMS**

A  
B  
C  
D  
E  
F  
G  
H  
I  
J  
K  
L  
M  
N  
O  
P  
Q  
R  
S  
T  
U  
V  
W  
X  
Y



**LEGRABOX 9-1/2" (241mm)**

**F Height Drawer Kits**



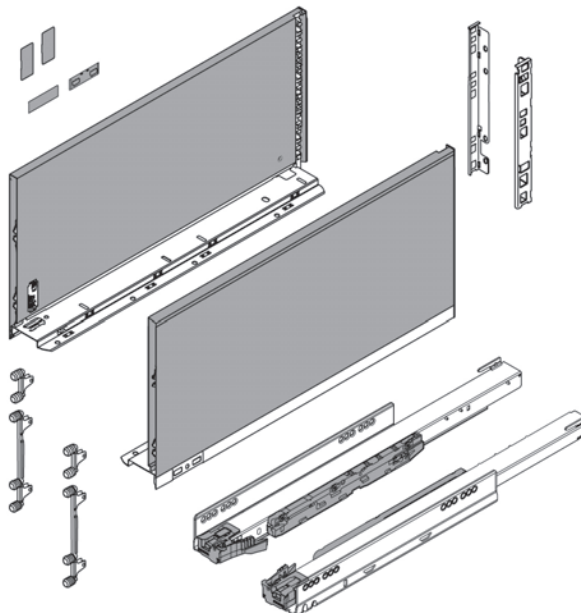
- Full extension drawer system with BLUMOTION
- Smooth running action
- Two-dimensional drawer front adjustment
- Compatible with TIP-ON BLUMOTION and SERVO-DRIVE
- Available finishes: orion gray and stainless steel

**Drawer kit includes:**

- (1) pair of drawer profiles (color coordinated cover caps included in a drawer profile box inside the kit)
- (1) pair of cabinet profiles
- (1) pair of rear fixing brackets
- (1) set of front fixing brackets

Orion Gray Item #	Stainless Steel Item #	Length	Load Capacity
<b>125 lb Static/110 lb Dynamic</b>			
B770F40S-16GR	B770F40S-16SS	16"	125 lb Static/110 lb Dynamic
B770F45S-18GR	B770F45S-18SS	18"	125 lb Static/110 lb Dynamic
B770F50S-20GR	B770F50S-20SS	20"	125 lb Static/110 lb Dynamic
B770F55S-22GR	B770F55S-22SS	22"	125 lb Static/110 lb Dynamic
<b>170 lb Static/155 lb Dynamic</b>			
B773F45S-18GR	B773F45S-18SS	18"	170 lb Static/155 lb Dynamic
B773F50S-20GR	B773F50S-20SS	20"	170 lb Static/155 lb Dynamic
B773F55S-22GR	B773F55S-22SS	22"	170 lb Static/155 lb Dynamic
B773F65S-26GR	B773F65S-26SS	26"	170 lb Static/155 lb Dynamic

**Components:**



**BLUM LEGRABOX PREMIUM METAL DRAWER SYSTEMS**



**LEGRABOX TIP-ON BLUMOTION**



- Enables LEGRABOX drawer to be opening with just a light touch of the drawer front
- Fully mechanical motion
- Smooth running action

**TIP-ON BLUMOTION Unit and Triggers**

**Sets Include:**

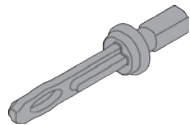
1. Left and right TIP-ON units and triggers
2. Two synchronization adapters



**Synchronization Adapters**

- To be used with the T60L1118W synchronization rod

<b>Item #</b>
BT60.000D

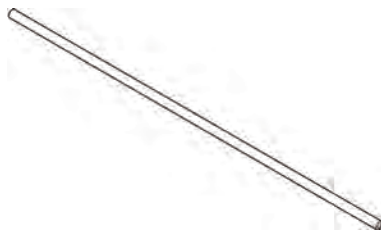


Drawer Length	S1 (0 - 44 lb)	L1 (0 - 44 lb)	L3 (44 - 88 lb)	L5 (88 - 155 lb)
11"	BT60L7140	-	-	-
14"	-	BT60L7340	BT60L7540	-
16"	-	BT60L7340	BT60L7540	-
18"	-	BT60L7340	BT60L7540	BT60L7570
20"	-	BT60L7340	BT60L7540	BT60L7570
22"	-	BT60L7340	BT60L7540	BT60L7570
24"	-	-	-	BT60L7570
26"	-	-	-	BT60L7570

**Synchronization Rod**

- Recommended for all cabinet widths for optimal function
- Opening width: 11-9/16" (294mm) minimum, 53-3/4" (1365mm) maximum
- Length 44-1/32" (1118mm), cut to size

<b>Item #</b>
BT60L1118W



**TIP-ON BLUMOTION Synchronization for Narrow Applications**

- Opening width: 10-9/32" (261mm) minimum, 11-7/32" (285mm) maximum
- Length 2-1/2" (64mm), cut to size

<b>Item #</b>
BT60.300D



**TIP-ON BLUMOTION Front Gap Template**

- For creating a 3/32" (2.5mm) front gap

<b>Item #</b>
B65.5631.US



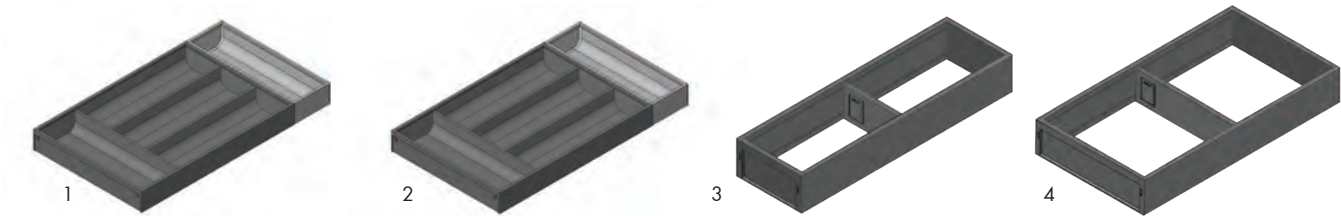


**BLUM LEGRABOX AMBIA-LINE BOX DRAWER ORGANIZERS**

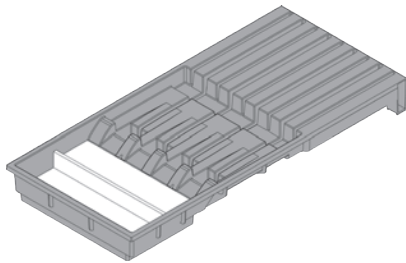
**AMBIA-LINE**



- Provides a clean, harmonious look and function to the interior of drawers
- Orion gray finish
- To calculate inside drawer width available: LEGRABOX - Inside cabinet width - 1-5/8" (41mm)



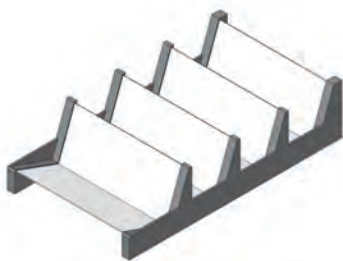
	Item #	Type	Length	Width	Height
1	BZC7S500BS3-GR	Flatware Insert	20" (500mm)	12" (300mm)	2" (51mm)
2	BZC7S550BS3-GR	Flatware Insert	22" (550mm)	12" (300mm)	2" (51mm)
3	BZC7S500RS1-GR	Narrow Utensil Insert	20" (500mm)	4" (100mm)	2" (51mm)
	BZC7S550RS1-GR	Narrow Utensil Insert	22" (550mm)	4" (100mm)	2" (51mm)
4	BZC7S500RS2-GR	Wide Utensil Insert	20" (500mm)	8" (200mm)	2" (51mm)
	BPZC7S550RS2	Wide Utensil Insert	22" (550mm)	8" (200mm)	2" (51mm)



**Knife Holder**

- Length 16-1/8" (409mm)
- Width 7-3/8" (187mm)
- Height 1-11/16" (43mm)
- Holds 9 knives
- High quality nylon and stainless steel
- Use with wide utensil insert

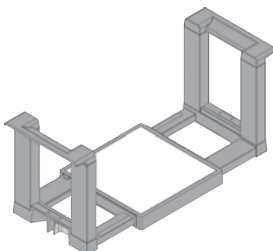
<b>Item #</b>
BZC7M0200-GR



**Spice Tray**

- Length 14" (356mm)
- Width 7-7/8" (200mm)
- Height 3-5/16" (84mm)
- Non-slip bottom
- High quality nylon and stainless steel
- Use with deep drawer insert

<b>Item #</b>
BZC7G0P0I-HGL



**Plate Holder**

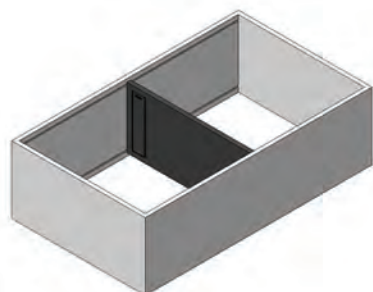
- Adjustable width 7-5/16" - 12-11/16" (186mm to 322mm)
- Overall height 6-11/16" (170mm)
- Holds up to 12 plates
- Non-slip bottom
- High quality nylon and stainless steel

<b>Item #</b>
BZC7T0350-GR

A  
B  
C  
D  
E  
F  
**G**  
H  
I  
J  
K  
L  
M  
N  
O  
P  
Q  
R  
S  
T  
U  
V  
W  
X  
Y

**A BLUM LEGRABOX AMBIA-LINE BOX DRAWER ORGANIZERS**

B  
C  
D  
E  
F  
G  
H  
I  
J  
K  
L  
M  
N  
O  
P  
Q  
R  
S  
T  
U  
V  
W  
X  
Y



**AMBIA-LINE Deep Drawer Insert**



- Length 14-9/16" (370mm)
- Width 8-9/16" (218mm)
- Height 4-3/8" (111mm)
- Includes adjustable cross divider (qty 1)
- Steel frame
- For C and F Height drawers
- Magnetic back
- Non-slip rubber feet

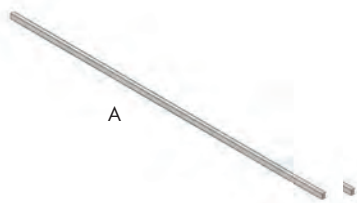
<b>Item #</b>
BZC7F400RSP-GR



**Adapter Plate**

- Length 8-9/16" (218mm)
- Height 5-13/16" (148mm)
- To be used with deep drawer insert BZC7F400RSP-GR

<b>Item #</b>
BZC7A0POC-GR

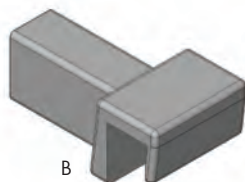


**Deep Drawer Gallery Rail**

**A. Cross Gallery Rail**

- Length 42-1/2" (1080mm)
- Cut cross rail to size
- Inside cabinet width minus 3-17/32" (90mm)

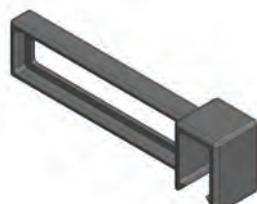
Item #	Finish
BZR7.1080U-GR	Grey
BZR7.1080U-ELN	Stainless Steel



**B. Connector**

- 2 required per cross rail set-up (order each separately)
- Dust gray finish

<b>Item #</b>
BZC7U10E0-GR



**C. Lateral Divider**

- Dust gray finish

<b>Item #</b>
BZC7U10F0-GR

**BLUM LEGRABOX ACCESSORIES**

A  
B  
C  
D  
E  
F  
**G**  
H  
I  
J  
K  
L  
M  
N  
O  
P  
Q  
R  
S  
T  
U  
V  
W  
X  
Y

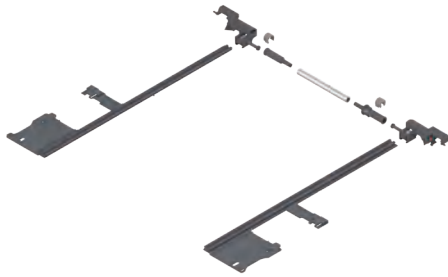


**Side Spacer**

- For spacing cabinet profiles for clearance on interior roll-out trays



<b>Item #</b>
BT59.3570



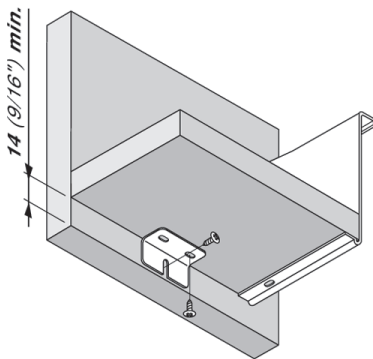
**Lateral Stabilizer Set**

- Recommended for cabinet widths from 35-7/16" - 55-1/8" (900mm to 1400mm)
- Minimum space requirement (depth) AL + 15mm (AL = Actual cabinet profile length)

**Set Includes:**

1. Linkage rod 42-5/32" (1071mm)
2. Pinion gears (qty 2)
3. Left and right rear brackets
4. Left and right gear racks

Item #	Description
BZS7.400LU-GR	11" - 16" (270mm - 400mm) Runner Lengths
BZS7.650LU-GR	18" - 26" (450mm - 650mm) Runner Lengths



**Drawer Front Support Bracket**

- Add-on bracket for wide drawers to keep the front tight to the drawer bottom
- Attach with 612TH screws #6 x 1/2" trusshead

<b>Item #</b>
BZSB.0090.01



**Front Stabilization Bracket**

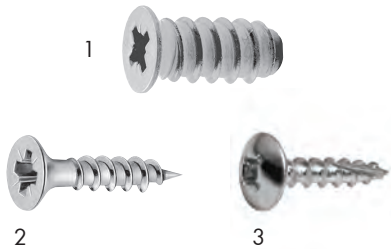
- Used for stabilizing wide drawers and/or tall drawer fronts
- Reinforces the connection between the drawer bottom and the front
- One required per drawer, center on drawer bottom

<b>Item #</b>
BZ96.10E1

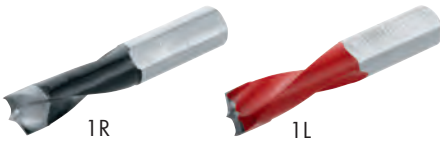
**A BLUM LEGRABOX ACCESSORIES**



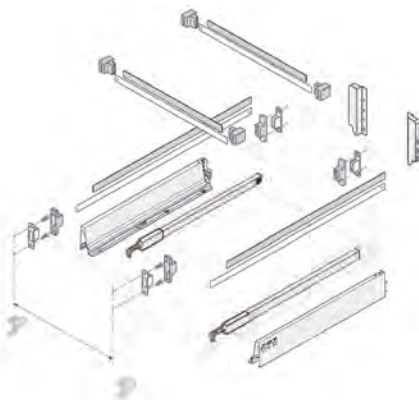
POZI Driver and Bit	
Item #	Description
BPD	#2 POZI Driver
B2X1POZIBIT	#2 x 1" POZI bit insert



Wood & Euro Screws			
	Item #	Description	Box Qty
1	B661.1000.HG	6.1mm x 10mm, #2 POZI	1,000
	B661.1150.HG	6.1mm x 11.5mm, #2 POZI	1,000
	B661.1300.HG	6.1mm x 13mm, #2 POZI	1,000
	BSS-14.5MM	6.1mm x 14.5mm, #2 POZI	1,000
	B661.2000.HG	6.1mm x 20mm, #2 POZI	1,000
	B661.2500.HG	6.1mm x 25mm, #2 POZI	1,000
2	B606P-1000	#6 x 5/8", #2 POZI	1,000
3	B612TH	#6 x 1/2", #2 POZI Truss Head	1,000



Drill Bits		
Item #	Description	
1	BM01ZB10.02	10mm Right Hand Drill Bit for MINIPRESS/MINIDRILL
	BM01ZB10.03	10mm Left Hand Drill Bit for MINIPRESS/MINIDRILL



**Metafile Set**

- Set makes one standard hanging file
- Recommended for use in combination with B Height drawer
- **Set Includes:**
  - Steel hanging rails (qty 4) - 1/8" x 1/2" x 21-5/8" (3mm x 13mm x 550mm)
  - Rail support brackets (qty 4)
  - Rail support covers (qty 4)
  - Glide profiles (qty 4) - length 21-5/8" (550mm)
  - Lateral brackets (qty 4)
  - Flathead wood screws (qty 8) - #6 x 3/4" (19mm)

Item #	Description
BZRM.5500.USGR	Dust Gray Metafile Set
BZRM.5500.US	Zinc Metafile Set
BZRM.5500.USWH	White Metafile Set
BZRM.0003.10CM	Cream Rail Support Covers
BZRM.0003.10WH	White Rail Support Covers

**BLUM LEGRABOX ASSEMBLY AIDS**

A  
B  
C  
D  
E  
F  
**G**  
H  
I  
J  
K  
L  
M  
N  
O  
P  
Q  
R  
S  
T  
U  
V  
W  
X  
Y



**Cabinet Profile Template Set**

- Used for pre-boring holes for drawer runners
- Also used for marking/pre-boring other Blum drawer systems, AVENTOS locating pins and hinge mounting plates



Item #	Description
B65.1000.01	Cabinet Profile Template*
BDB-2.5MM	2.5mm RH Drill Bit
BDB-6MM	6mm RH Drill Bit



**\* Set includes:**

1. Rail, 1 meter long
2. Replacement template (qty 4)
3. 2.5mm stop collar
4. 5mm stop collar
5. Allen wrench



**Universal Individual Template**

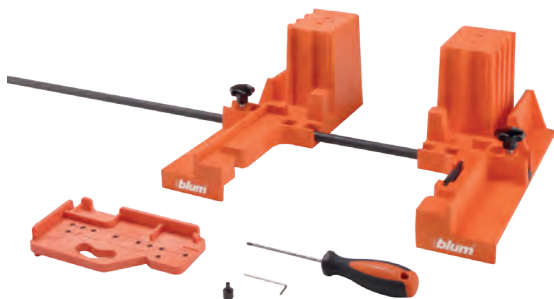
- For pre-boring drawer runners
- Also used for marking/pre-boring other Blum drawer systems, AVENTOS locating pins, hinge mounting plates, BLUMOTION adapters, and TIP-ON adapters
- Calibrated scales for accurate setting
- Set includes: Universal individual template, 2.5mm and 5mm stop collars, allen wrench



Item #
B65.1051.02

**A BLUM LEGRABOX ASSEMBLY AIDS**

B  
C  
D  
E  
F  
G  
H  
I  
J  
K  
L  
M  
N  
O  
P  
Q  
R  
S  
T  
U  
V  
W  
X  
Y



**LEGRABOX Starter Kit**

- For all LEGRABOX heights and lengths
- For cabinet widths 9-13/16" to 47-1/4" (250mm to 1200mm)
- For cabinet back heights up to 9-13/16" (250mm)

**Set Includes:**

1. BOXFIX E-L
2. LEGRABOX boring template
3. TORX 20 screwdriver
4. VIX bit

<b>Item #</b>
BZMM.0700.20



**BOXFIX E-L**

- For manual assembly of LEGRABOX pull-outs

<b>Item #</b>
BZMM.0700



**BOXFIX P**

- For all LEGRABOX heights and lengths
- One adjustable stop for drawer width included (additional stops available)
- For cabinet widths 10-13/16" to 47-1/4" (275mm to 1200mm)
- For back heights up to 13-3/4" (350mm)

<b>Item #</b>
BZMM.2750.01

**BLUM LEGRABOX ASSEMBLY AIDS**



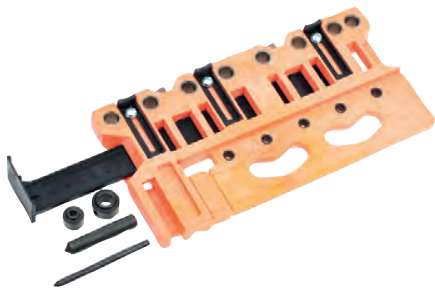
**LEGRABOX Boring Template**

- For exact pre-boring of drawer bottom and back
- Pre-bore dimension 2.5mm x 2mm
- 2.5mm stop collar
- 2.5mm allen wrench



<b>Item #</b>
BZML.7000

A  
B  
C  
D  
E  
F  
**G**  
H  
I  
J  
K  
L  
M  
N  
O  
P  
Q  
R  
S  
T  
U  
V  
W  
X  
Y



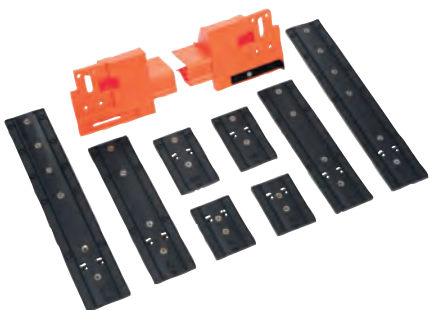
**Universal Boring Template**

- Used for boring drawer fronts and located all fixing positions
- Used to pre-bore for drawer fronts, bottoms and backs for LEGRABOX, TANDEMBOX, METABOX drawer systems, and AVENTOS mounting plates

**Set includes:**

1. Template
2. 5mm marking pin
3. 10mm marking pin
4. 5mm stop collar
5. 10mm stop collar

<b>Item #</b>
BZML.0040



**Front Marking Template**

- For precise marking of the front fixing bracket locations
- Accommodates LEGRABOX N, M, K, C, and F Height

<b>Item #</b>
BZML.3710

A  
B  
C  
D  
E  
F  
G  
H  
I  
J  
K  
L  
M  
N  
O  
P  
Q  
R  
S  
T  
U  
V  
W  
X  
Y

**BLUM TANDEMBOX METAL DRAWER SYSTEMS**



**TANDEMBOX 2-11/16" (69mm) N Height**

- Full extension drawer system with BLUMOTION
- TANDEM smooth running mechanism
- Two-dimensional drawer front adjustment
- Dynamic load capacity of 75lb

**Cabinet Profile Sets**

- Packed 10 pair per box

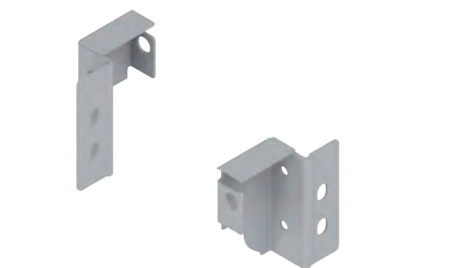
Item #	Length
B578.400B	16"
B578.450B	18"
B578.500B	20"
B578.550B	22"



**Drawer Profile Sets**

- Gray finish
- Includes cover caps
- Packed 10 pair per box

Item #	Length
B378N4002SA-GR	16"
B378N4502SA-GR	18"
B378N5002SA-GR	20"
B378N5502SA-GR	22"



**Rear Fixing Bracket Set**

- Includes left and right bracket
- Gray finish
- Packed 50 pair per box

Item #
BZ30N000S.04GR



**Front Fixing Brackets**

- Two required per drawer
- For use with N and M height drawer profiles only
- Packed 200 per box

	Item #	Description
1	BZSF.39A2	INSERTA Front Fixing Bracket
2	BZSF.35A2	Screw-On Front Fixing Bracket*

\* Use of #6 x 3/4" minimum truss head screw is recommended.



# BLUM TANDEMBOX METAL DRAWER SYSTEMS



## TANDEMBOX 3-5/16" (84mm) M Height



- Full extension drawer system with BLUMOTION
- TANDEM smooth running mechanism
- Two-dimensional drawer front adjustment
- Dynamic load capacities of 75lb and 150lb



### Cabinet Profile Sets

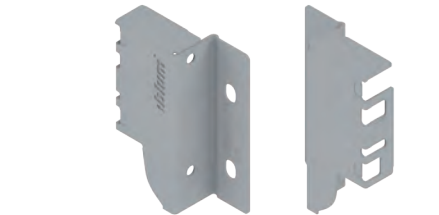
Length	75lb Item #	Box Qty	150lb Item #	Box Qty
11"	B578.270B	10	-	-
14"	B578.350B	10	-	-
16"	B578.400B	10	-	-
18"	B578.450B	10	B576.4501B	8
20"	B578.500B	10	B576.5001B	8
22"	B578.550B	10	B576.5501B	8
24"	-	-	B576.6001B	6
26"	-	-	B576.6501B	6



### Drawer Profile Sets

- Gray finish
- Includes cover caps
- Packed 6 pair per box

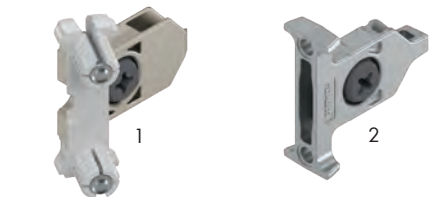
Item #	Length
B378M2702SA-GR	11"
B378M3502SA-GR	14"
B378M4002SA-GR	16"
B378M4502SA-GR	18"
B378M5002SA-GR	20"
B378M5502SA-GR	22"
B378M6002SA-GR	24"
B378M6502SA-GR	26"



### Rear Fixing Bracket Set

- Includes left and right bracket
- Gray finish
- Packed 50 pair per box

Item #
BZ30M000S.04GR



### Front Fixing Brackets

- Two required per drawer
- For use with N and M height drawer profiles only
- Packed 200 per box

	Item #	Description
1	BZSF.39A2	INSERTA Front Fixing Bracket
2	BZSF.35A2	Screw-On Front Fixing Bracket*

\* Use of #6 x 3/4" minimum truss head screw is recommended

A  
B  
C  
D  
E  
F  
G  
H  
I  
J  
K  
L  
M  
N  
O  
P  
Q  
R  
S  
T  
U  
V  
W  
X  
Y

A  
B  
C  
D  
E  
F  
G  
H  
I  
J  
K  
L  
M  
N  
O  
P  
Q  
R  
S  
T  
U  
V  
W  
X  
Y

## BLUM TANDEMBOX METAL DRAWER SYSTEMS



### TANDEMBOX 3-5/16" (84mm) M Height with Single Gallery Interior Roll-out



- Full extension drawer system with BLUMOTION
- TANDEM smooth running mechanism
- Two-dimensional drawer front adjustment
- Dynamic load capacities of 75lb and 150lb



Cabinet Profile Sets				
Length	75lb Item #	Box Qty	150lb Item #	Box Qty
11"	B578.270B	10	-	-
14"	B578.350B	10	-	-
16"	B578.400B	10	-	-
18"	B578.450B	10	B576.4501B	8
20"	B578.500B	10	B576.5001B	8
22"	B578.550B	10	B576.5501B	8
24"	-	-	B576.6001B	6
26"	-	-	B576.6501B	6

#### Drawer Profile Sets

- Gray finish
- Includes cover caps
- Packed 6 pair per box



Item #	Length
B378M2702SA-GR	11"
B378M3502SA-GR	14"
B378M4002SA-GR	16"
B378M4502SA-GR	18"
B378M5002SA-GR	20"
B378M5502SA-GR	22"
B378M6002SA-GR	24"
B378M6502SA-GR	26"

#### Front Piece

- Length 40-13/16" (1036mm), cut to size
- Gray finish

Item #
BZ31L1036AGR



#### Interior Front Handle

- Dust gray finish

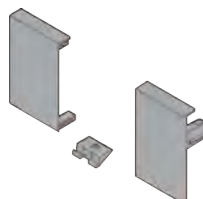
Item #
BZIF.80M5-GR



#### Front Fixing Bracket Set - Nylon

- Set includes: Left and right bracket, bottom support
- Gray finish

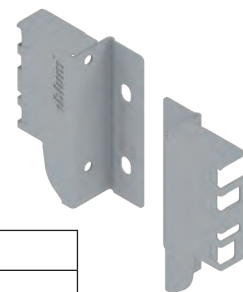
Item #
BZIF.71M0



#### Rear Fixing Bracket Set

- Includes left and right bracket
- Gray finish
- Packed 50 pair per box

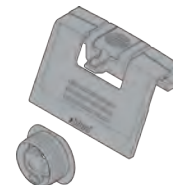
Item #
BZ30M000S.04GR



#### Interior Front Handle with Latch

- Dust gray finish

Item #
BZIF.80M7-GR



**BLUM TANDEMBOX METAL DRAWER SYSTEMS**

A  
B  
C  
D  
E  
F  
**G**  
H  
I  
J  
K  
L  
M  
N  
O  
P  
Q  
R  
S  
T  
U  
V  
W  
X  
Y



**TANDEMBOX 5-3/4" (146mm) B Height with Single Gallery**

- Full extension drawer system with BLUMOTION
- TANDEM smooth running mechanism
- Three-dimensional drawer front adjustment
- Dynamic load capacities of 75lb and 150lb



Cabinet Profile Sets				
Length	75lb Item #	Box Qty	150lb Item #	Box Qty
16"	B578.400B	10	-	-
18"	B578.450B	10	B576.4501B	8
20"	B578.500B	10	B576.5001B	8
22"	B578.550B	10	B576.5501B	8
24"	-	-	B576.6001B	6
26"	-	-	B576.6501B	6

**Drawer Profile Sets**

- Gray finish
- Includes cover caps
- Packed 6 pair per box



Item#	Length
B378M4002SA-GR	16"
B378M4502SA-GR	18"
B378M5002SA-GR	20"
B378M5502SA-GR	22"
B378M6002SA-GR	24"
B378M6502SA-GR	26"

**Top Gallery Rail**

- Left and right gallery rail



Item #	Length
BZRG.337RSIC-GR	16"
BZRG.387RSIC-GR	18"
BZRG.437RSIC-GR	20"
BZRG.487RSIC-GR	22"
BZRG.537RSIC-GR	24"
BZRG.587RSIC-GR	26"

**Rear Fixing Brackets**

- Left and right bracket
- Gray finish
- Packed 30 pair per box

Item #
BZ30B000S.04GR

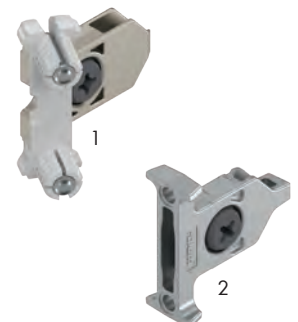


**Front Fixing Brackets**

- Two required per drawer
- For use with N and M height drawer profiles only
- Packed 200 per box

\* Use of #6 x 3/4" minimum truss head screw is recommended

Item #	Description
1	BZSF.39A2 INSERTA Front Fixing Bracket
2	BZSF.35A2 Screw-On Front Fixing Bracket*



A  
B  
C  
D  
E  
F  
G  
H  
I  
J  
K  
L  
M  
N  
O  
P  
Q  
R  
S  
T  
U  
V  
W  
X  
Y

## BLUM TANDEMBOX METAL DRAWER SYSTEMS



### TANDEMBOX 8-1/8" (207mm) D Height with Single Gallery

- Full extension drawer system with BLUMOTION
- TANDEM smooth running mechanism
- Three-dimensional drawer front adjustment
- Dynamic load capacities of 75lb and 150lb



Cabinet Profile Sets				
Length	75lb Item #	Box Qty	150lb Item #	Box Qty
16"	B578.400B	10	-	-
18"	B578.450B	10	B576.4501B	8
20"	B578.500B	10	B576.5001B	8
22"	B578.550B	10	B576.5501B	8
24"	-	-	B576.6001B	6
26"	-	-	B576.6501B	6

#### Drawer Profile Sets

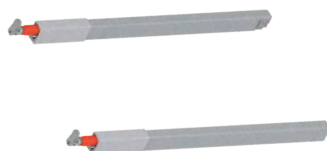
- Gray finish
- Includes cover caps
- Packed 6 pair per box



Item #	Length
B378M4002SA-GR	16"
B378M4502SA-GR	18"
B378M5002SA-GR	20"
B378M5502SA-GR	22"
B378M6002SA-GR	24"
B378M6502SA-GR	26"

#### Top Gallery Rail

- Left and right gallery rail



Item #	Length
BZRG.337RSIC-GR	16"
BZRG.387RSIC-GR	18"
BZRG.437RSIC-GR	20"
BZRG.487RSIC-GR	22"
BZRG.537RSIC-GR	24"
BZRG.587RSIC-GR	26"

#### Rear Fixing Brackets

- Left and right bracket
- Gray finish
- Packed 50 pair per box

Item #
BZ30D000SL-GR



#### Front Fixing Brackets

- Two required per drawer
- For use with N and M height drawer profiles only
- Packed 200 per box

	Item #	Description
1	BZSF.39A2	INSERTA Front Fixing Bracket
2	BZSF.35A2	Screw-On Front Fixing Bracket*



\* Use of #6 x 3/4" minimum truss head screw is recommended

**BLUM TANDEMBOX METAL DRAWER SYSTEMS**

A  
B  
C  
D  
E  
F  
**G**  
H  
I  
J  
K  
L  
M  
N  
O  
P  
Q  
R  
S  
T  
U  
V  
W  
X  
Y



**TANDEMBOX 8-1/8" (207mm) D Height with Single Gallery Interior Roll-out**



- Full extension drawer system with BLUMOTION
- TANDEM smooth running mechanism
- Three-dimensional drawer front adjustment
- Dynamic load capacities of 75lb and 150lb

Cabinet Profile Sets				
Length	75lb Item #	Box Qty	150lb Item #	Box Qty
16"	B578.400B	10	-	-
18"	B578.450B	10	B576.4501B	8
20"	B578.500B	10	B576.5001B	8
22"	B578.550B	10	B576.5501B	8
24"	-	-	B576.6001B	6
26"	-	-	B576.6501B	6

**Drawer Profile Sets**

- Gray finish
- Includes cover caps
- Packed 6 pair per box



Item #	Length
B378M4002SA-GR	16"
B378M4502SA-GR	18"
B378M5002SA-GR	20"
B378M5502SA-GR	22"
B378M6002SA-GR	24"
B378M6502SA-GR	26"

**Top Gallery Rail**

- Left and right gallery rail



Item #	Length
BZRG.337RSIC-GR	16"
BZRG.387RSIC-GR	18"
BZRG.437RSIC-GR	20"
BZRG.487RSIC-GR	22"
BZRG.537RSIC-GR	24"
BZRG.587RSIC-GR	26"

**Rear Fixing Brackets**

- Left and right bracket
- Gray finish
- Packed 50 pair per box



Item #
BZ30D000SL-GR

**Front Piece**

- Length 40-13/16" (1036mm), cut to size
- Gray finish



Item #
BZ31L1036AGR

**Cross Rail**

- Length 41-3/16" (1046mm), cut to size
- Gray finish



Item #
BZRG.1046Z-GR

**Front Fixing Bracket Set - Nylon**

- Set includes: left and right bracket, bottom support
- Gray finish



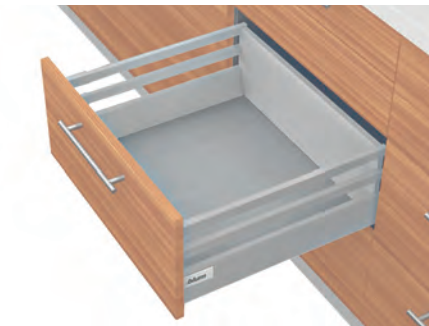
Item #
BZIF.75D0.US

**BLUM TANDEMBOX METAL DRAWER SYSTEMS**



**TANDEMBOX 8-1/8" (207mm) D Height with Double Gallery**

- Full extension drawer system with BLUMOTION
- TANDEM smooth running mechanism
- Three-dimensional drawer front adjustment
- Dynamic load capacities of 75lb and 150lb



Cabinet Profile Sets				
Length	75lb Item #	Box Qty	150lb Item #	Box Qty
16"	B578.400B	10	-	-
18"	B578.450B	10	B576.4501B	8
20"	B578.500B	10	B576.5001B	8
22"	B578.550B	10	B576.5501B	8

**Drawer Profile Sets**

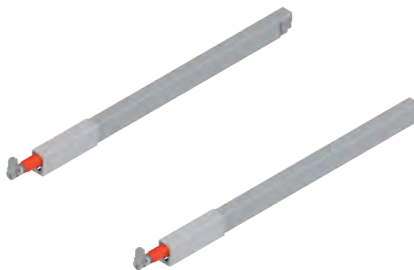
- Gray finish
- Includes cover caps
- Packed 6 pair per box



Item #	Length
B378M4002SA-GR	16"
B378M4502SA-GR	18"
B378M5002SA-GR	20"
B378M5502SA-GR	22"

**Top Gallery Rail**

- Left and right gallery rail



Item #	Length
BZRG.337RSIC-GR	16"
BZRG.387RSIC-GR	18"
BZRG.437RSIC-GR	20"
BZRG.487RSIC-GR	22"

**Rear Fixing Brackets**

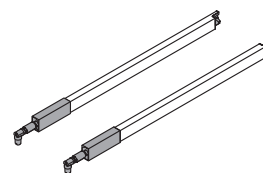
- Left and right bracket
- Gray finish
- Packed 50 pair per box

Item #
BZ30D000SL-GR



**Center Gallery Rail**

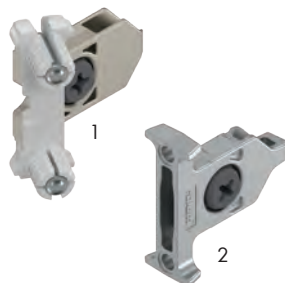
- Left and right gallery rail



Item #	Length
BZRG.337RSIE-GR	16"
BZRG.387RSIE-GR	18"
BZRG.437RSIE-GR	20"
BZRG.487RSIE-GR	22"

**Front Fixing Brackets**

- Two required per drawer
- For use with N and M height drawer profiles only
- Packed 200 per box



	Item #	Description
1	BZSF.39A2	INSERTA Front Fixing Bracket
2	BZSF.35A2	Screw-On Front Fixing Bracket*

\* Use of #6 x 3/4" minimum truss head screw is recommended

# BLUM TANDEMBOX METAL DRAWER SYSTEMS

## TANDEMBOX 8-1/8" (207mm) D Height with Double Gallery Interior Roll-out



- Full extension drawer system with BLUMOTION
- TANDEM smooth running mechanism
- Three-dimensional drawer front adjustment
- Dynamic load capacities of 75lb and 150lb



Cabinet Profile Sets				
Length	75lb Item #	Box Qty	150lb Item #	Box Qty
16"	B578.400B	10	-	-
18"	B578.450B	10	B576.4501B	8
20"	B578.500B	10	B576.5001B	8
22"	B578.550B	10	B576.5501B	8

### Drawer Profile Sets

- Gray finish
- Includes cover caps
- Packed 6 pair per box



Item #	Length
B378M4002SA-GR	16"
B378M4502SA-GR	18"
B378M5002SA-GR	20"
B378M5502SA-GR	22"

### Front Fixing Bracket Set - Nylon

- Set includes: left and right bracket, bottom support
- Gray finish

Item #
BZIF.75D0.US



### Top Gallery Rail

- Left and right gallery rail



Item #	Length
BZRG.337RSIC-GR	16"
BZRG.387RSIC-GR	18"
BZRG.437RSIC-GR	20"
BZRG.487RSIC-GR	22"

### Front Piece

- Length 40-13/16" (1036mm), cut to size
- Gray finish

Item #
BZ31L1036AGR



### Rear Fixing Brackets

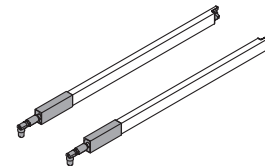
- Left and right bracket
- Gray finish
- Packed 50 pair per box

Item #
BZ30D000SL-GR



### Center Gallery Rail

- Left and right gallery rail



Item #	Length
BZRG.337RSIE-GR	16"
BZRG.387RSIE-GR	18"
BZRG.437RSIE-GR	20"
BZRG.487RSIE-GR	22"

### Cross Rail

- Length 41-3/16" (1046mm), cut to size
- Gray finish

Item #
BZRG.1046Z-GR



A  
B  
C  
D  
E  
F  
G  
H  
I  
J  
K  
L  
M  
N  
O  
P  
Q  
R  
S  
T  
U  
V  
W  
X  
Y

**A BLUM TANDEMBOX METAL DRAWER SYSTEMS**

B  
C  
D  
E  
F  
G  
H  
I  
J  
K  
L  
M  
N  
O  
P  
Q  
R  
S  
T  
U  
V  
W  
X  
Y



**TANDEMBOX SPACE CORNER M Height**



- Full extension drawer system with BLUMOTION
- TANDEM smooth running mechanism
- Two-dimensional drawer front adjustment
- Dynamic load capacities of 150lb



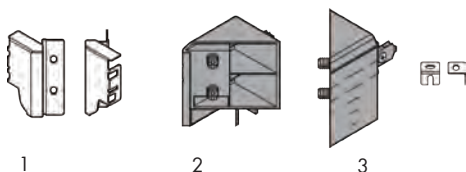
Cabinet Profile Sets	
150lb Item #	Box Qty
B576.6001B	6
B576.6501B	6



**Drawer Profile Sets**

- Gray finish
- Includes cover caps
- Packed 6 pair per box

Item #	Length
B378M6002SA-GR	24"
B378M6502SA-GR	26"



**Space Corner Set - M Height**

**Set Includes:**

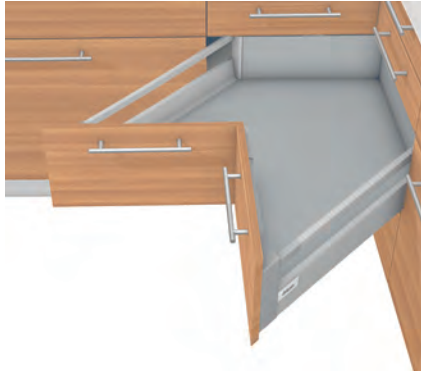
1. Corner rear fixing bracket (qty 2)
2. Corner front piece (gray only) (qty 2)
3. Drawer front support bracket (qty 2)

Item #
BZSF.340E.M-GR



# BLUM TANDEMBOX METAL DRAWER SYSTEMS

A  
B  
C  
D  
E  
F  
**G**  
H  
I  
J  
K  
L  
M  
N  
O  
P  
Q  
R  
S  
T  
U  
V  
W  
X  
Y



## TANDEMBOX SPACE CORNER D-Height with Single Gallery



- Full extension drawer system with BLUMOTION
- TANDEM smooth running mechanism
- Three-dimensional drawer front adjustment
- Dynamic load capacities of 150lb

Cabinet Profile Sets	
150lb Item #	Box Qty
B576.6001B	6
B576.6501B	6



### Metal Design Element

- Two required per drawer
- Gray finish

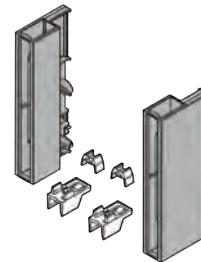


Item #
BZ37A617D-GR

### Gallery Bracket Set

Set Includes:

1. Left and right rear brackets
2. Front fixing clips (qty 4)
3. Gray finish



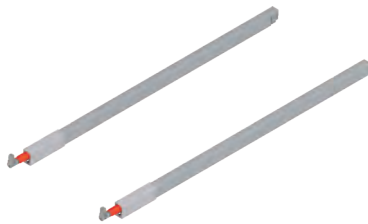
Item #
BZ36D0080



### Drawer Profile Sets

- Gray finish
- Includes cover caps
- Packed 6 pair per box

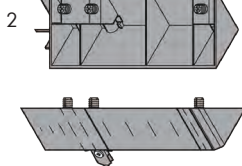
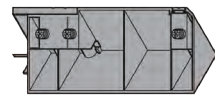
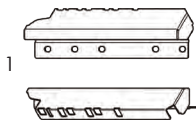
Item #	Length
B378M6002SA-GR	24"
B378M6502SA-GR	26"



### Top Gallery Rail

- Left and right gallery rail

Item #	Length
BZRG.537RSIC-GR	24"
BZRG.587RSIC-GR	26"



### Space Corner Set - D Height

#### Set includes:

1. Corner rear fixing bracket (qty 2)
2. Corner front piece (gray only) (qty 2)
3. Drawer front support bracket (qty 2)

Item #
BZSF.345ED-GR

A  
B  
C  
D  
E  
F  
G  
H  
I  
J  
K  
L  
M  
N  
O  
P  
Q  
R  
S  
T  
U  
V  
W  
X  
Y

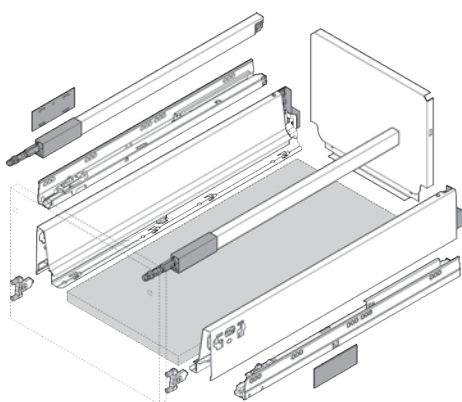
**BLUM TANDEMBOX METAL DRAWER SYSTEMS**



**TANDEMBOX Waste/Recycle Set with SERVO-DRIVE**



- Pre-assembled bottom mount solution
- TANDEMBOX heavy duty full extension drawer system
- For 12", 15" and 18" minimum opening widths
- For face frame and frameless applications
- Three-dimensional drawer front adjustment
- Maximum 1/4" (4mm) cabinet bottom recess
- TANDEM smooth running action
- 175 lb static, 150 lb dynamic load rating
- SERVO-DRIVE touch-to-open feature



TANDEMBOX Waste/Recycle Set		
Item #	Description	Drawer Length
B376M55B7SAB	For 12" minimum opening width	21-5/8" (550mm)
B376M55B7SAD	For 15" minimum opening width	21-5/8" (550mm)
B376M55B7SAF	For 18" minimum opening width	21-5/8" (550mm)

**Set Includes:**

1. TANDEMBOX heavy duty runner set with pre-mounted #6 x 3/4" wood screws for installation (qty 8)
2. Pre-assembled silk white TANDEMBOX drawer
3. Includes installation template, and instructions
4. #6 x 5/8" wood screws for attachment to drawer front (qty 10)  
TANDEMBOX cover caps (qty 2)

**SERVO-DRIVE Waste/Recycle Set**

**Set Includes:**

1. Drive unit (pre-attached)
2. Double bottom bracket with #6 x 1" wood screws (qty 2)
3. Cable clips (qty 4)
4. Adapter plate
5. INSERTA cable connector
6. Screw-on distance bumpers (qty 4) with #6 x 5/8" wood screws for installation (qty 8)
7. 110 volt plug-in power supply with six feet of universal cable
8. Cable end protectors (qty 2)
9. Includes installation template, instructions, and user manual



Item #
BZ10NA30UGUS

## BLUM SERVO-DRIVE FOR TANDEMBOX



### Power Supply Set

- Supplies power to the drive units

**Set Includes:**

1. 19 ft universal cable
2. 24 watt power supply
3. Wall mount bracket
4. Three-prong cord
5. INSERTA cable connector
6. Cable end protectors (qty 3)
7. Cable clips (qty 10)
8. Includes installation template, instructions, and user manual



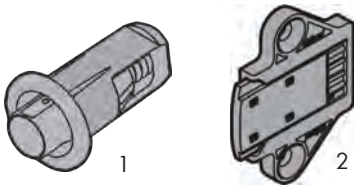
Item #
BZ10NE03UG10



### Drive Unit

- Nylon
- Dust gray finish

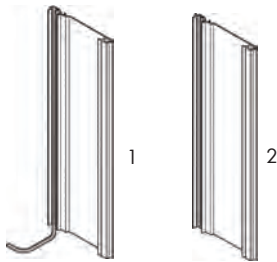
Item #
BZ10A3000.03



### Distance Bumpers

- Provides 1/8" (3mm) gap

	Item #	Description
1	B993.0531	5mm Bumper
2	B993.1220	Screw-on Bumper



### Vertical Aluminum Profile

- Can be cut to size

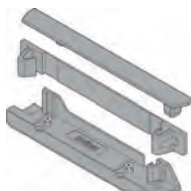
	Item #	Description
1	BZ10T720AB	Profile with cable, length 28-3/8" (720mm) - cable length 31-1/2" (800mm)
2	BZ10T1170A	Profile without cable, length 46" (1170mm)



### Top and Bottom Adapter Set

- For use with horizontal stretcher rail

Item #
BZ10D01E0



### Back and Bottom Adapter Set

- For use with back stretcher rail

Item #
BZ10D01EA

A  
B  
C  
D  
E  
F  
G  
H  
I  
J  
K  
L  
M  
N  
O  
P  
Q  
R  
S  
T  
U  
V  
W  
X  
Y

**A BLUM SERVO-DRIVE FOR TANDEMBOX**

**B**  
**C**  
**D**  
**E**  
**F**  
**G**  
**H**  
**I**  
**J**  
**K**  
**L**  
**M**  
**N**  
**O**  
**P**  
**Q**  
**R**  
**S**  
**T**  
**U**  
**V**  
**W**  
**X**  
**Y**

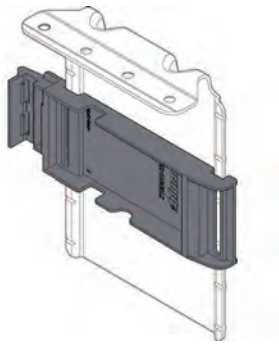


**Horizontal Aluminum Profile**

- Profile length 45" (1143mm) cut to size



<b>Item #</b>
BZ10T1 143B



**Top Bracket with Adapter**

<b>Item #</b>
BZ10D6252



**Bottom Bracket**

- 31-1/2" (800mm) universal cable is included

<b>Item #</b>
BZ10D7201

**BLUM SERVO-DRIVE FOR TANDEMBOX**

A  
B  
C  
D  
E  
F  
**G**  
H  
I  
J  
K  
L  
M  
N  
O  
P  
Q  
R  
S  
T  
U  
V  
W  
X  
Y

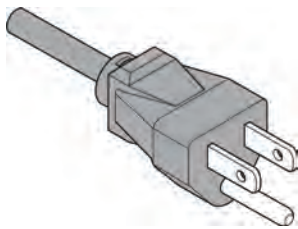


**SERVO-DRIVE Power Supply**



- Supplies power to the drive units
- Energy Star Level VI
- UL Certified
- Can power up to 50 drive units
- Connect to switched GFCI outlet
- 6' cable length
- Three-prong power cord required

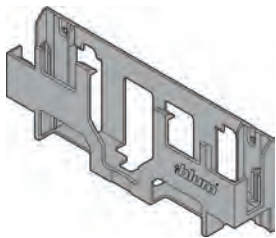
<b>Item #</b>
BZ10NE030G



**Power Cord with Three-Prong Plug**

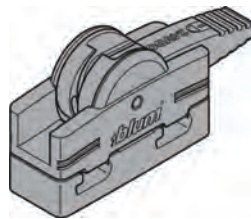
- Must be plugged into a switched GFCI outlet

<b>Item #</b>
BZ10M200U



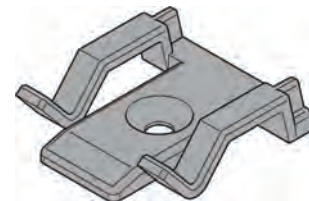
**Wall Mount Bracket for Power Supply**

<b>Item #</b>
BZ10NG100



**Inserta Cable Connector**

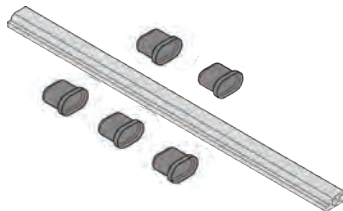
<b>Item #</b>
BZ10V1000



**Cable Clip**

- Adhesive back and/or screw-on

<b>Item #</b>
BZ10K0009



**Universal Cable**

- 26 ft length with five cable end protectors

<b>Item #</b>
BZ10K800AE

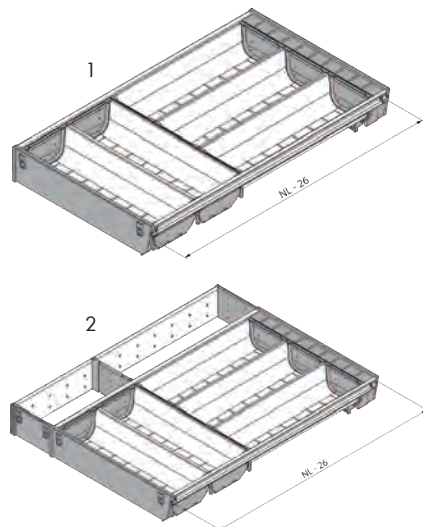


**Synchronization Cables**

Item #	Description
BZ10K008S	3" (80mm) synchronization cable
BZ10K120S	4' (1200mm) synchronization cable

A  
B  
C  
D  
E  
F  
G  
H  
I  
J  
K  
L  
M  
N  
O  
P  
Q  
R  
S  
T  
U  
V  
W  
X  
Y

## BLUM TANDEMBOX ORGA-LINE

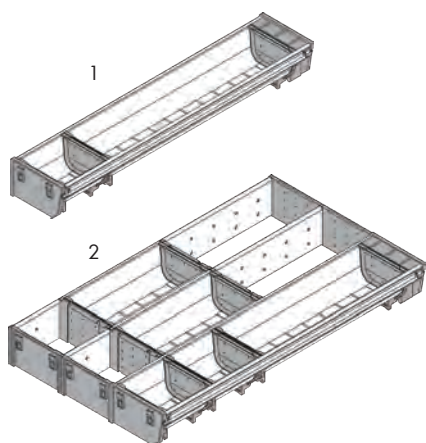


### TANDEMBOX ORGA-LINE

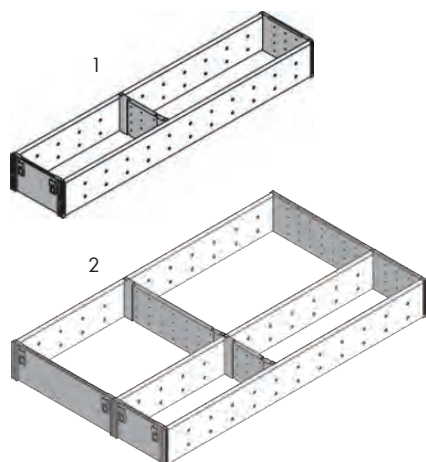
- Adjustable organization solution for TANDEMBOX that can be customized to fit individual needs
- Removable trays are made of high quality nylon and stainless steel
- Dishwasher safe up to 170 °F



Flatware				
	Item #	Length	Width	Height
1	BZSI.500BI3	20"	11" (280mm)	2-1/2" (64mm)
	BZSI.550BI3	22"	11" (280mm)	2-1/2" (64mm)
2	BZSI.500KI4	20"	14-13/16" (377mm)	2-1/2" (64mm)
	BZSI.550KI4	22"	14-13/16" (377mm)	2-1/2" (64mm)



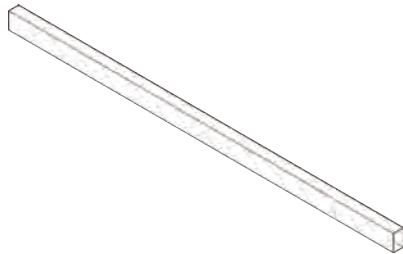
Cutlery Sets				
	Item #	Length	Width	Height
1	BZSI.500BI1	20"	4-1/16" (103mm)	2-1/2" (64mm)
	BZSI.550BI1	22"	4-1/16" (103mm)	2-1/2" (64mm)
2	BZSI.500MI3	20"	11-11/16" (297mm)	2-1/2" (64mm)
	BZSI.550MI3	22"	11-11/16" (297mm)	2-1/2" (64mm)



Utensils				
	Item #	Length	Width	Height
1	BZSI.500FI1	20"	4-1/8" (105mm)	2-1/2" (64mm)
	BZSI.550FI1	22"	4-1/8" (105mm)	2-1/2" (64mm)
2	BZSI.500FI3	20"	11-7/16" (291mm)	2-1/2" (64mm)
	BZSI.550FI3	22"	11-7/16" (291mm)	2-1/2" (64mm)

**BLUM TANDEMBOX ORGA-LINE ACCESSORIES**

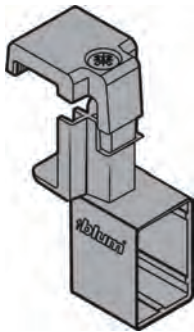
**B or D Height TANDEMBOX with Gallery Rails**



**Cross Gallery Rail Divider**

- Length 44-1/32" (1118mm)
- Opening width minus 2-1/2" (63mm)
- Gray finish

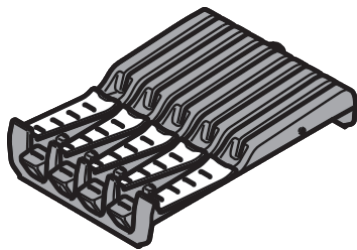
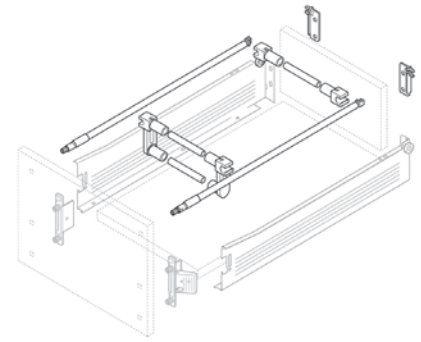
<b>Item #</b>
BZRG.1118Q-GR



**Cross Gallery Rail Connector**

- Two required
- Gray finish

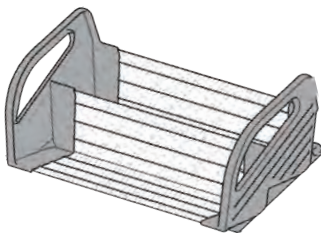
<b>Item #</b>
BZRU.01E0-GR



**ORGA-LINE Knife Holder**

- Length 11" (280mm)
- Width 7-1/8" (180mm)
- Holds up to nine knives of different sizes
- High quality nylon and stainless steel
- Dishwasher safe up to 170°F
- Handle support (qty 4)

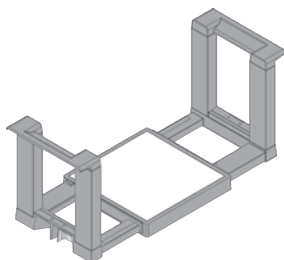
<b>Item #</b>
BZSZ.02MO



**ORGA-LINE Spice Tray**

- Width 11-1/8" (282mm) - Inside storage width 10-1/4" (260mm)
- Height 4-3/4" (121mm)
- Easy removal from drawer
- High quality nylon and stainless steel
- Set includes two trays and four feet

<b>Item #</b>
BZfZ.38G0-I-GL



**ORGA-LINE Plate Holder**

- Adjustable width 7-5/16" to 12-11/16" (186mm to 322mm)
- Overall height 6-11/16" (170mm)
- Holds up to 12 plates
- Non-slip bottom
- High quality nylon and stainless steel

<b>Item #</b>
BZC7T0350-GR

A  
B  
C  
D  
E  
F  
G  
H  
I  
J  
K  
L  
M  
N  
O  
P  
Q  
R  
S  
T  
U  
V  
W  
X  
Y

**A BLUM TANDEMBOX ACCESSORIES**

**B  
C  
D  
E  
F  
G  
H  
I  
J  
K  
L  
M  
N  
O  
P  
Q  
R  
S  
T  
U  
V  
W  
X  
Y**



**Front Stabilization Bracket**

- Used for stabilizing wide drawers and/or tall drawer fronts
- Reinforces the connection between the drawer bottom and the front
- One required per drawer, center on drawer bottom
- Packaged in full boxes of 250



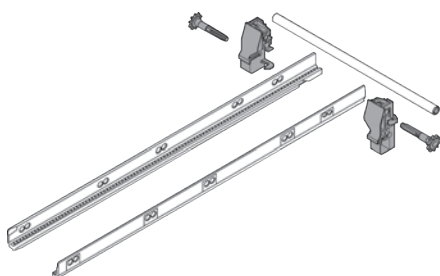
<b>Item #</b>
BZ96.10E1



**Side Spacer**

- For spacing TANDEM runners from the cabinet side for clearance in interior roll-out applications
- 1" thick
- Packaged in full boxes of 100

<b>Item #</b>
BT59.3570



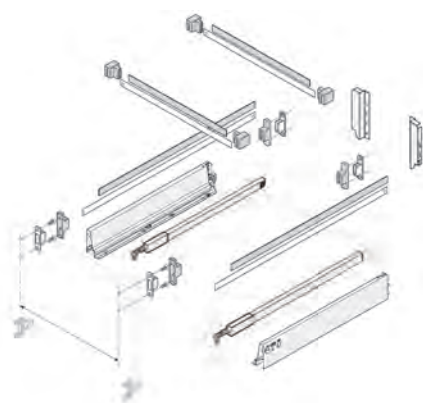
**Lateral Stabilizer Set**

- Recommended for cabinets 35" to 47" (900mm to 1200mm) wide

**Set Includes:**

1. Linkage rod, 42-3/8" (1076mm) cut to size
2. Pinion gears (qty 2)
3. Rear brackets, left and right
4. Gear racks, left and right

Item #	Length
BZST.500B	20"



**Metafile Set**

- Set makes one standard hanging file
- Recommended for use in combination with B Height drawer

**Set Includes:**

1. Steel hanging rails (qty 4) - 1/8" x 1/2" x 21-5/8" (3mm x 13mm x 550mm)
2. Rail support brackets (qty 4)
3. Rail support covers (qty 4)
4. Glide profiles (qty 4) - length 21-5/8" (550mm)

Item #	Description
BZRM.5500.USGR	Dust Gray Metafile Set
BZRM.5500.US	Zinc Metafile Set
BZRM.5500.USWH	White Metafile Set
BZRM.0003.10CM	Cream Rail Support Covers
BZRM.0003.10WH	White Rail Support Covers



## BLUM TANDEMBOX ACCESSORIES

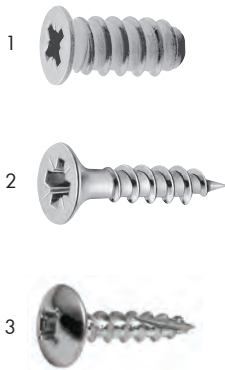


### POZI Driver and Bit



Item #	Description
BPD	#2 POZI Driver
B2X1POZIBIT	#2 x 1" POZI bit insert

### Wood & Euro Screws



	Item #	Description	Box Qty
1	B661.1000.HG	6.1mm x 10mm, #2 POZI	1,000
	B661.1150.HG	6.1mm x 11.5mm, #2 POZI	1,000
	B661.1300.HG	6.1mm x 13mm, #2 POZI	1,000
	BSS-14.5MM	6.1mm x 14.5mm, #2 POZI	1,000
	B661.2000.HG	6.1mm x 20mm, #2 POZI	1,000
	B661.2500.HG	6.1mm x 25mm, #2 POZI	1,000
2	B606P-1000	#6 x 5/8", #2 POZI	1,000
3	B612TH	#6 x 1/2", #2 POZI Truss Head	1,000



### Drill Bits

	Item #	Description
1R	BM01ZB10.02	10mm Right Hand Drill Bit for MINIPRESS/MINIDRILL
1L	BM01ZB10.03	10mm Left Hand Drill Bit for MINIPRESS/MINIDRILL

Visit us on our website: [wurthlac.com](http://wurthlac.com)

**A BLUM TANDEMBOX ASSEMBLY AIDS**

B  
C  
D  
E  
F  
G  
H  
I  
J  
K  
L  
M  
N  
O  
P  
Q  
R  
S  
T  
U  
V  
W  
X  
Y



**Cabinet Profile Template**



- Used for pre-boring holes for LEGRABOX, TANDEMBOX, and TANDEM drawer runners
- Can also be used to pre-bore AVENTOS locating pins and pre-boring for hinge mounting plates

**Set Includes:**

1. Rail, 1 meter long (qty 1)
2. 2.5mm stop collar (qty 1)
3. 5mm stop collar (qty 1)
4. Replacement template (qty 4)
5. Allen wrench (qty 1)

Item #	Description
B65.1000.01	Cabinet Profile Template
BDB-2.5MM	2.5mm RH Drill Bit



**Universal Individual Template**



- Used for pre-boring holes for LEGRABOX, TANDEMBOX, and TANDEM drawer runners
- Can also be used to pre-bore for AVENTOS locating pins and pre-boring for hinge mounting plates
- Calibrated scales for accurate setting
- Set includes: Universal individual template, 2.5mm and 5mm stop collars, allen wrench

Item #
B65.1051.02

**BLUM TANDEMBOX ASSEMBLY AIDS**

A  
B  
C  
D  
E  
F  
**G**  
H  
I  
J  
K  
L  
M  
N  
O  
P  
Q  
R  
S  
T  
U  
V  
W  
X  
Y



**Universal Boring Template**



- Used for boring drawer fronts and located all fixing positions
- Used to pre-bore for drawer fronts, bottoms and backs for LEGRABOX, TANDEMBOX, METABOX drawer systems, and AVENTOS mounting plates

**Set Includes:**

1. Template
2. 5mm marking pin
3. 10mm marking pin
4. 5mm stop collar
5. 10mm stop collar

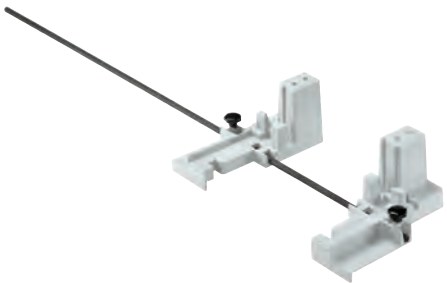
<b>Item #</b>
BZML.0040



**TANDEMBOX Front Marking Templates**

- Used for marking front fixing locations
- TANDEMBOX 37XM/L drawer profiles
- Includes marking template (left and right), marking flag for 37XL drawer profile (left and right)

<b>Item #</b>
BZML.3580



**BOXFIX E-T**

- For all TANDEMBOX heights and lengths
- For cabinet widths 9-13/16" to 47-1/4" (250mm to 1200mm)
- For cabinet back heights up to 9-13/16" (250mm)

<b>Item #</b>
BZMM.0350



**BOXFIX P**

Using the BOXFIX P you can assemble TANDEMBOX and LEGRABOX faster than ever. Its easy setup, pneumatic clamps, and comfortable work height all contribute to faster, more efficient assembly.

- For all LEGRABOX and TANDEMBOX heights and lengths
- One adjustable stop for drawer width included (additional stops available)
- For cabinet widths 10-13/16" to 47-1/4" (275mm to 1200mm)
- For back heights up to 13-3/4" (350mm)

<b>Item #</b>
BZMM.2750.01

A  
B  
C  
D  
E  
F  
G  
H  
I  
J  
K  
L  
M  
N  
O  
P  
Q  
R  
S  
T  
U  
V  
W  
X  
Y

**BLUM METABOX METAL DRAWER SYSTEMS**



**METABOX 320 Series - 3/4 Extension**



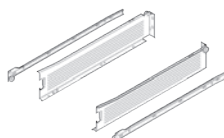
- Complements the style of panel cabinetry and allows effective use of cabinet interior space
- Fully compatible with the 32mm cabinet construction system, installation is quick and precise
- Three-dimensional front adjustment with easy cam height adjustment
- Simple insertion and removal of drawers
- With BLUMATIC self-closing feature
- Single extension is available with BLUMOTION soft-closing option
- Static load capacity of 100lb and dynamic capacity of 75lb



**320N 2-1/8" (54mm) Drawer Height**

- 3/4 Extension
- Packed 10 pair per box

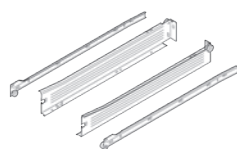
Item #	Length
B320N11WH	11"
B320N14WHC15	14"
B320N16WHC15	16"
B320N18WHC15	18"
B320N20WHC15	20"
B320N22WHC15	22"



**320M 3-3/8" Drawer Height**

- 3/4 Extension
- Packed 10 pair per box

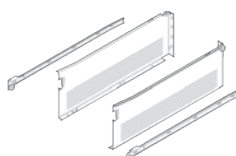
Item #	Length
B320M11WHC15	11"
B320M14WHC15	14"
B320M16WHC15	16"
B320M18WHC15	18"
B320M20WHC15	20"
B320M22WHC15	22"



**320K 4-5/8" (118mm) Drawer Height**

- 3/4 Extension
- Packed 10 pair per box

Item #	Length
B320K14WHC15	14"
B320K16WHC15	16"
B320K18WHC15	18"
B320K20WHC15	20"
B320K22WHC15	22"



**320H 5-7/8" (150mm) Drawer Height**

- 3/4 Extension
- Packed 10 pair per box

Item #	Length
B320H14WHC15	14"
B320H16WHC15	16"
B320H18WHC15	18"
B320H20WHC15	20"
B320H22WHC15	22"

**BLUM METABOX METAL DRAWER SYSTEMS**

**METABOX 320 Series - 3/4 Extension - continued**



**Front Fixing Brackets**

Item #	Type		Description
1	BZSF.1510.04	Standard	Screw-on Right Hand - For 320N Metabox Series
	BZSF.1510.05	Standard	Screw-on Left Hand - For 320N Metabox Series
	BZSF.1610.04	Standard	Dowel Right Hand - For 320N Metabox Series
	BZSF.1610.05	Standard	Dowel Left Hand - For 320N Metabox Series
2	BZSF.1700R	Standard	Screw-on Right Hand - For 320 M, K & H Series
	BZSF.1700L	Standard	Screw-on Left Hand - For 320 M, K & H Series
	BZSF.1800R	Standard	Dowel Right Hand - For 320 M, K & H Series
	BZSF.1800L	Standard	Dowel Left Hand - For 320 M, K & H Series
3	BZSF1200R	Clip	Screw-on Right Hand - For 320 M, K & H Series
	BZSF1200L	Clip	Screw-on Left Hand - For 320 M, K & H Series
	BZSF1300R	Clip	Dowel Right Hand - For 320 M, K & H Series
	BZSF1300L	Clip	Dowel Left Hand - For 320 M, K & H Series
	BZSF.130ER	Clip	Expando Right Hand - For 320 M, K & H Series
	BZSF.130EL	Clip	Expando Left Hand - For 320 M, K & H Series



**Standard Cover Caps**

- Nylon white
  - Packed in full boxes of 1,000
- Available any quantity.

<b>Item #</b>
BZAA.3500WH

A  
B  
C  
D  
E  
F  
G  
H  
I  
J  
K  
L  
M  
N  
O  
P  
Q  
R  
S  
T  
U  
V  
W  
X  
Y

**A BLUM METABOX METAL DRAWER SYSTEM ACCESSORIES**

B  
C  
D  
E  
F  
G  
H  
I  
J  
K  
L  
M  
N  
O  
P  
Q  
R  
S  
T  
U  
V  
W  
X  
Y



**BLUMOTION for METABOX**

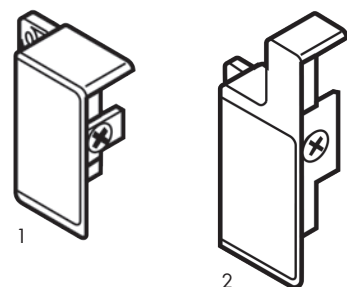
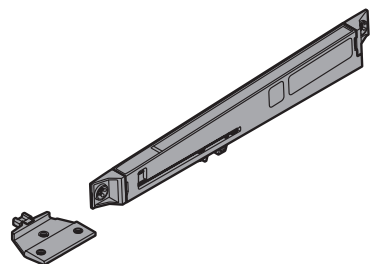


- Soft-close mechanism for METABOX 320 series
- Designed for single extension C15 only
- Minimal opening force required
- One BLUMOTION required for cabinets up to 35" wide
- BLUMATIC self-closing and BLUMOTION in one mechanism

**Set Includes:**

1. Gray mechanism
2. White latch

Item #	Sold In
BZ70.0320B	100
BZ70.0320	1



**Screw-on Interior Front Fixing Brackets**



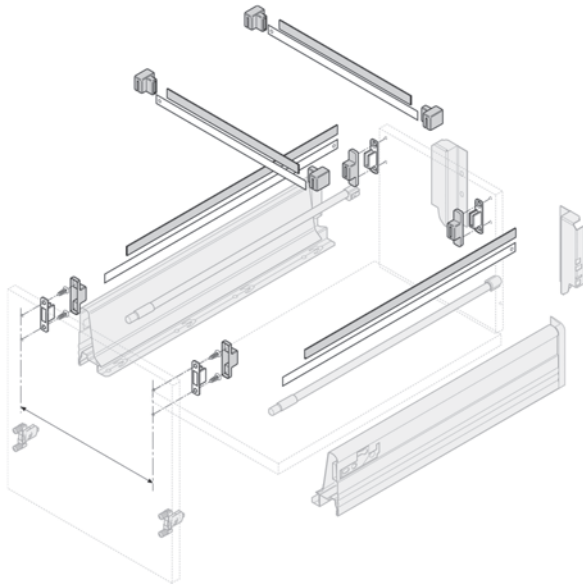
- For interior drawer applications
- White nylon

	Item #	Description
1	BZIF3010.02W	Right Hand Bracket for 320N Series
	BZIF3010.03W	Left Hand Bracket for 320N Series
2	BZIF3000.02W	Right Hand Bracket for 320M Series
	BZIF3000.03W	Left Hand Bracket for 320M Series
3	BZIF305002WH	Right Hand Bracket for 320H Series
	BZIF305003WH	Left Hand Bracket for 320H Series



**BLUM METABOX METAL DRAWER SYSTEM ACCESSORIES**

A  
B  
C  
D  
E  
F  
**G**  
H  
I  
J  
K  
L  
M  
N  
O  
P  
Q  
R  
S  
T  
U  
V  
W  
X  
Y



**METAFILE Set**

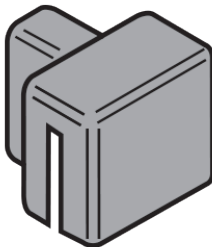
- Includes components to make one standard hanging file system

**Set Includes:**

1. 3mm x 13mm x 550mm steel hanging rails (qty 2)
2. Rail support brackets (qty 4)
3. Rail support covers (qty 4)
4. 550mm length glide profiles (qty 2)
5. #6 x 3/4" flathead wood screws, nickel (qty 8)

Item #	Finish
BZRM.5500.US	Zinc
BZRM.5500.USWH	White

**Lateral File Accessories**

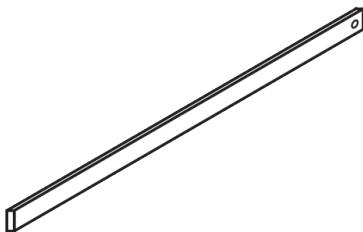


**Lateral Bracket**

- Four required per drawer
- Cream finish

Item #
BZRM.0004.10CM

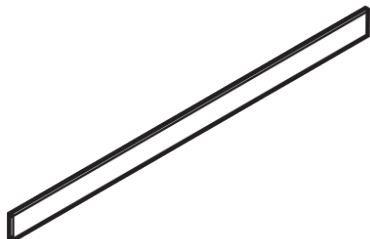
**Hanging Rail**



- Steel hanging rail, zinc
- 3mm x 13mm x 1100mm cut to length

Item #
BZRM.1100SV

**Glide Profile**

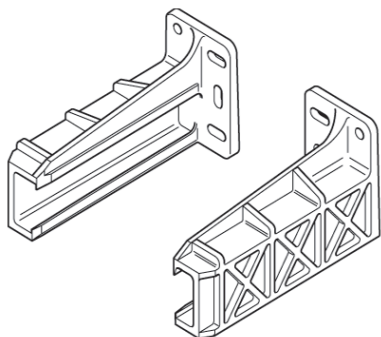


- 1100mm long, cut to length
- White finish

Item #
BZRM.1100GWH

## A BLUM METABOX METAL DRAWER SYSTEM ACCESSORIES

B  
C  
D  
E  
F  
G  
H  
I  
J  
K  
L  
M  
N  
O  
P  
Q  
R  
S  
T  
U  
V  
W  
X  
Y

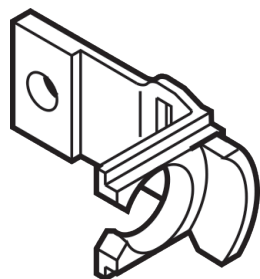


### Rear Mount Sockets

- For use with METABOX 320N, 320M, 320K, 320H, and STANDARD 230M runners in frame cabinets
- Synthetic, cream color
- Attach with Blum #6 x 1/2" 612TH trusshead screws
- Cannot be used in conjunction with POSI-STOPS
- Includes left and right sockets
- Packed 100 pair per box



<b>Item #</b>
B602320

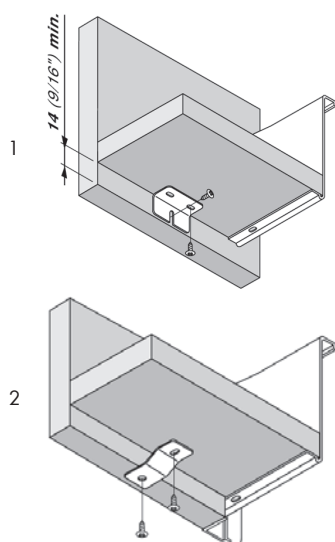


### POSI-STOP Assembly

- Add-on device to keep drawer front from contacting the cabinet face
- Available in thicknesses of 1/16" (1.5mm) or 1/8" (3mm)
- Synthetic, natural finish
- Non-handed
- Use two per drawer
- Snap in place and secure with wood screw
- Will not work with rear mount sockets
- Packed in full boxes of 1,000



Item #	Gap
B298.3210	1/16" (1.5mm)
B298.3230	1/8" (3mm)



### Drawer Front Support Brackets

- Add-on brackets for wide drawers to keep the front tight to the drawer bottom
- Stainless steel finish
- Attach with 612TH #6 x 1/2" trusshead screws
- Packed in full boxes of 500



	Item #	Description
1	BZSB.0090.01	For standard drawers
2	BZSB.0045	For interior roll-out trays



## BLUM METABOX METAL DRAWER SYSTEM ACCESSORIES



### Wood & Euro Screws



Item #	Description	Box Qty
B661.1000.HG	6.1mm x 10mm, #2 POZI	1,000
B661.1150.HG	6.1mm x 11.5mm, #2 POZI	1,000
B661.1300.HG	6.1mm x 13mm, #2 POZI	1,000
BSS-14.5MM	6.1mm x 14.5mm, #2 POZI	1,000
B661.2000.HG	6.1mm x 20mm, #2 POZI	1,000
B661.2500.HG	6.1mm x 25mm, #2 POZI	1,000
2 B606P-1000	#6 x 5/8", #2 POZI	1,000
3 B612TH	#6 x 1/2", #2 POZI Truss Head	1,000



### POZI Driver and Bit

Item #	Description
BPD	#2 POZI Driver
B2X1POZIBIT	#2 x 1" POZI bit insert



### Replacement Dowel and Screw

- Replacement dowel and screw for METABOX front fixing brackets

Item #	Description
B80.3532	10.4mm x 11.4mm nylon dowel
B608.1200	3.5 x 12mm for mounting dowels

Visit us on our website: [wurthlac.com](http://wurthlac.com)

A  
B  
C  
D  
E  
F  
G  
H  
I  
J  
K  
L  
M  
N  
O  
P  
Q  
R  
S  
T  
U  
V  
W  
X  
Y

A  
B  
C  
D  
E  
F  
G  
H  
I  
J  
K  
L  
M  
N  
O  
P  
Q  
R  
S  
T  
U  
V  
W  
X  
Y

## BLUM METABOX METAL DRAWER SYSTEM ASSEMBLY AIDS



### Universal Boring Template Set

- Used for boring drawer fronts and locating all fixing positions
- Used to pre-bore for drawer fronts, bottoms and backs for LEGRABOX, TANDEMBOX, METABOX drawer systems, and AVENTOS mounting plates

**Set includes:**

1. Template
2. 5mm marking pin
3. 10mm marking pin
4. 5mm stop collar
5. 10mm stop collar

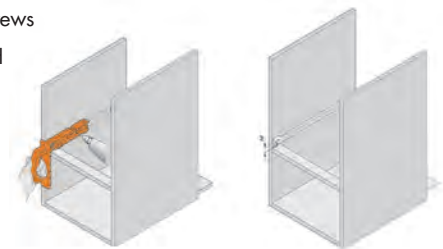
<b>Item #</b>
BZML.0040



### MINIFIX

- For precise positioning of cabinet profile fixing screws
- For METABOX series 320N, 320M, 320K, 320H and 230M STANDARD runners

<b>Item #</b>
B65.3300



### Cabinet Profile Template Set

- Used for pre-boring holes for TANDEM drawer runners
- Also used for marking/pre-boring other Blum drawer systems, AVENTOS locating pins and hinge mounting plates

**\* Set includes:**

1. Rail, 1 meter long
2. Replacement template (qty 4)
3. 2.5mm stop collar
4. 5mm stop collar
5. Allen wrench

Item #	Description
B65.1000.01	Cabinet Profile Template*
BDB-2.5MM	2.5mm RH Drill Bit
BDB-6MM	6mm RH Drill Bit



**GRASS VIONARO DRAWER SYSTEMS**



**H89, 89mm (3-1/2") Side Height**



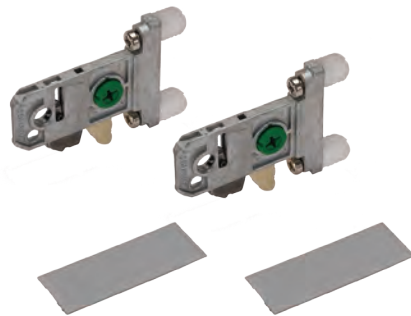
- Cubist design with 90° angles
- Slimline 13mm (1/2") side width
- 3 dimensional adjustment
- Integrated side and height adjustment, tilt angle adjustment at back
- Plus and minus adjustments for all dimensions
- Bottom panel is cut to size without notching
- Tool-free front assembly
- For frame and frameless cabinetry
- Compatible with Dynapro 16 with 2D or 3D adjustment
- Packaged 10 pair per box



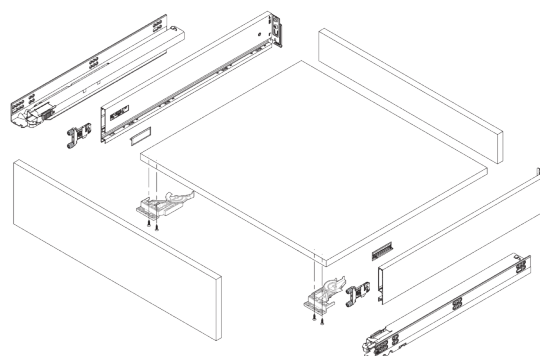
Vionaro H89 - 89mm (3-1/2") Side Height			
Drawer Length	White Item #	Silver Grey Item #	Graphite Item #
15"	GVIF135121403211	GVIF135121303211	GVIF135121353211
18"	GVIF135121406211	GVIF135121306211	GVIF135121356211
21"	GVIF135121409211	GVIF135121309211	GVIF135121359211



Front Locking Devices		
Item #	Description	Box Qty
GDPF134116420233	Left front locking device with flange	200
GDPF134116421233	Right front locking device with flange	200



Adapter Sets for 89mm Height: Includes 2 front connectors with 10mm dowels and 2 interior cover caps		
Item #	Color	Box Qty
GVIF136135095517	White	50
GF136106491517	Silver Grey	50
GF136106492517	Graphite	50



A  
B  
C  
D  
E  
F  
G  
H  
I  
J  
K  
L  
M  
N  
O  
P  
Q  
R  
S  
T  
U  
V  
W  
X  
Y

A  
B  
C  
D  
E  
F  
G  
H  
I  
J  
K  
L  
M  
N  
O  
P  
Q  
R  
S  
T  
U  
V  
W  
X  
Y

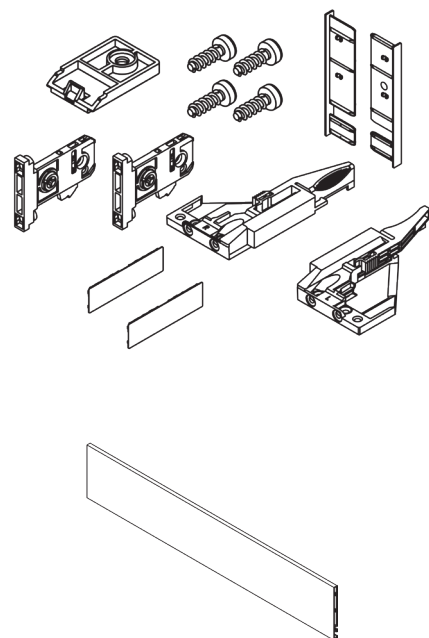
## GRASS VIONARO DRAWER SYSTEMS



### H89 Inset Front Panel and Accessory Set



- Color-coordinated aluminum front panel profile
- 89mm (3-1/2") side height
- Cubist design with 90° angles
- Slimline 13mm (1/2") side width
- Bottom panel is cut to size without notching

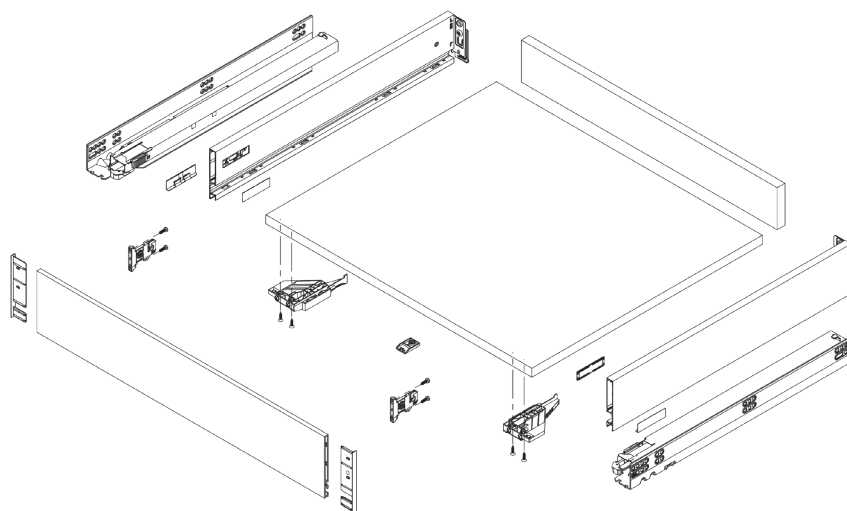


H89 Inset Drawer Accessory Sets*		
Item #	Color	Box Qty
GVIF136100279517	White	50
GVIF136100277517	Silver Grey	50
GVIF136100278517	Graphite	50

\* Accessory set consists of: (2) Cover Caps, (1) Front Locking Device Set, Left/Right, (2) Front Connectors, (4) Front Connector Screws, (1) Front Bottom Connector, (2) End Caps

H89 Inset Front Panels - 45-11/16" (1160mm)*		
Item #	Color	Box Qty
GVIF136120569507	White	10
GVIF136122619507	Silver Grey	10
GVIF136120538507	Graphite	10

\* H89 inset front panels can be cut to length. One side is pre-drilled and a drilling template is provided for the other side for accurate installation. Assembly instructions for the accessory set are included with each panel.



**GRASS VIONARO DRAWER SYSTEMS**



**H121, 121mm (4-3/4") Side Height**



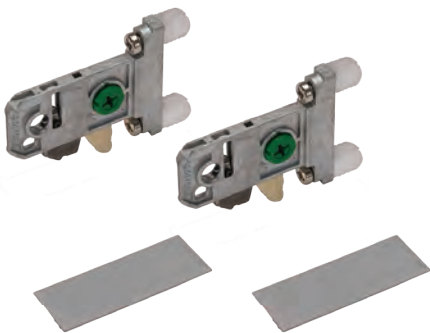
- Cubist design with 90° angles
- Slimline 13mm (1/2") side width
- 3 dimensional adjustment
- Integrated side and height adjustment, tilt angle adjustment at back
- Plus and minus adjustments for all dimensions
- Bottom panel is cut to size without notching
- Tool-free front assembly
- For frame and frameless cabinetry
- Compatible with Dynapro 16 with 2D or 3D adjustment
- Packaged 10 pair per box



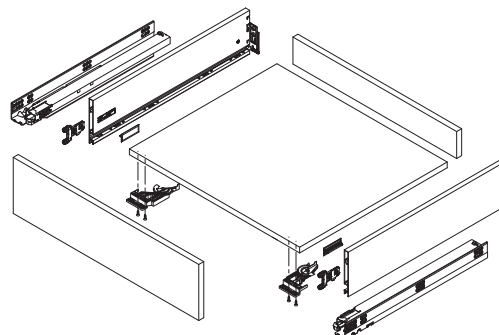
Vionaro H121 - 121mm (4-3/4") Side Height			
Drawer Length	White Item #	Silver Grey Item #	Graphite Item #
15"	GVIF135135041207	GVIF135135050207	GVIF135135059207
18"	GVIF135135044207	GVIF135135053207	GVIF135135062207
21"	GVIF135135047207	GVIF135135056207	GVIF135135065207



Front Locking Devices		
Item #	Description	Box Qty
GDPF134116420233	Left front locking device with flange	200
GDPF134116421233	Right front locking device with flange	200



Adapter Sets for 121mm (4-3/4") Height: Includes 2 front connectors with 10mm dowels and 2 interior cover caps		
Item #	Color	Box Qty
GVIF136135095517	White	50
GF136106491517	Silver Grey	50
GF136106492517	Graphite	50



A  
B  
C  
D  
E  
F  
G  
H  
I  
J  
K  
L  
M  
N  
O  
P  
Q  
R  
S  
T  
U  
V  
W  
X  
Y

A  
B  
C  
D  
E  
F  
G  
H  
I  
J  
K  
L  
M  
N  
O  
P  
Q  
R  
S  
T  
U  
V  
W  
X  
Y

## GRASS VIONARO DRAWER SYSTEMS



### H185, 185mm (7-1/4") Side Height



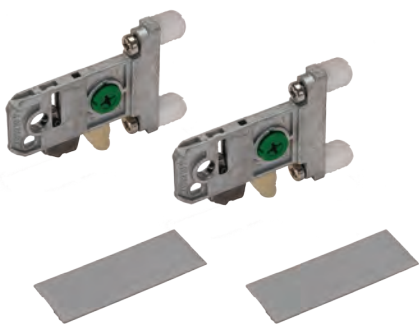
- Cubist design with 90° angles
- Slimline 13mm (1/2") side width
- 3 dimensional adjustment
- Integrated side and height adjustment, tilt angle adjustment at back
- Plus and minus adjustments for all dimensions
- Bottom panel is cut to size without notching
- Tool-free front assembly
- For frame and frameless cabinetry
- Compatible with Dynapro 16 with 2D or 3D adjustment
- Packaged 5 pair per box



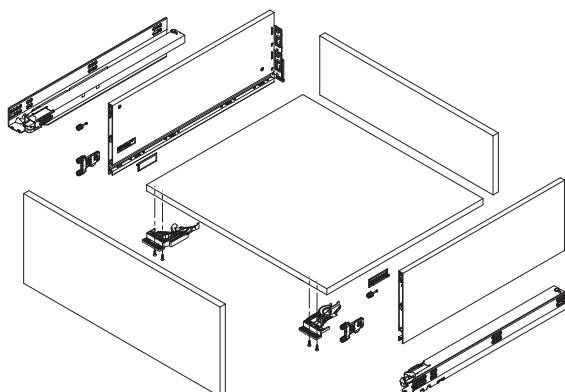
Vianaro H185 - 185mm (7-1/4") Side Height			
Drawer Length	White Item #	Silver Grey Item #	Graphite Item #
15"	GVIF135121603207	GVIF135121503207	GVIF135121553207
18"	GVIF135121606207	GVIF135121506207	GVIF135121556207
21"	GVIF135121609207	GVIF135121509207	GVIF135121559207



Front Locking Devices		
Item #	Description	Box Qty
GDPF134116420233	Left front locking device with flange	200
GDPF134116421233	Right front locking device with flange	200



Adapter Sets for 185mm (4-3/4") Height: Includes 2 front connectors with 10mm dowels and 2 interior cover caps		
Item #	Color	Box Qty
GVIF136120589507	White	50
GVIF136122669507	Silver Grey	50
GVIF136120539507	Graphite	50



**GRASS VIONARO DRAWER SYSTEMS**

A  
B  
C  
D  
E  
F  
G  
H  
I  
J  
K  
L  
M  
N  
O  
P  
Q  
R  
S  
T  
U  
V  
W  
X  
Y



**H185 Inset Front Panel and Accessory Set**

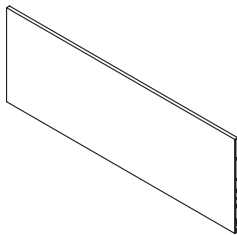
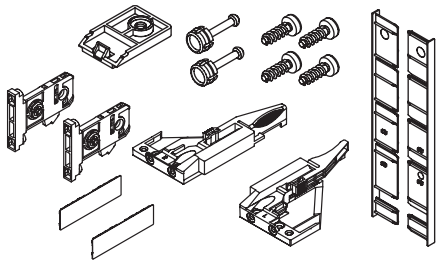


- Color-coordinated aluminum front panel profile
- 185mm (7-1/4") side height
- Cubist design with 90° angles
- Slimline 13mm (1/2") side width
- Bottom panel is cut to size without notching

**H185 Inset Drawer Accessory Sets\***

Item #	Color	Box Qty
GVIF136100320517	White	50
GVIF136100318517	Silver Grey	50
GVIF136100319517	Graphite	50

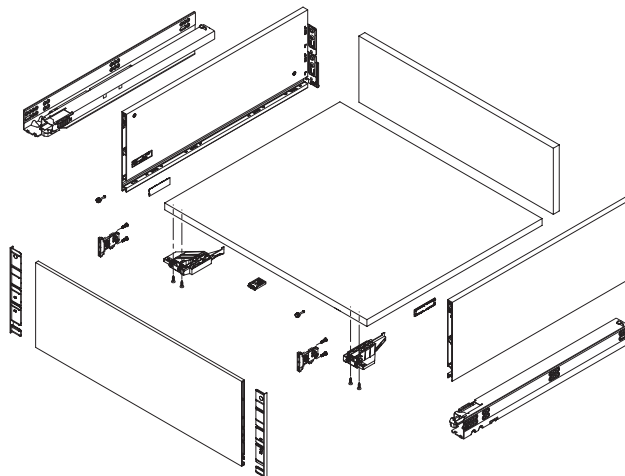
\* Accessory set consists of: (2) Cover Caps, (1) Front Locking Device Set, Left/Right, (2) Front Connectors, (4) Front Connector Screws, (1) Front Bottom Connector, (2) End Caps, and (2) Front stabilizers with 8mm dowels



**H185 Inset Front Panels - 45-11/16" (1160mm)\***

Item #	Color	Box Qty
GVIF136120589507	White	10
GVIF136122669507	Silver Grey	10
GVIF136120539507	Graphite	10

\* H185 inset front panels can be cut to length. One side is pre-drilled and a drilling template is provided for the other side for accurate installation. Assembly instructions for the accessory set are included with each panel.



A  
B  
C  
D  
E  
F  
G  
H  
I  
J  
K  
L  
M  
N  
O  
P  
Q  
R  
S  
T  
U  
V  
W  
X  
Y

## GRASS VIONARO DRAWER SYSTEMS



### H249, 249mm (9-3/4") Side Height



- Cubist design with 90° angles
- Slimline 13mm (1/2") side width
- 3 dimensional adjustment
- Integrated side and height adjustment, tilt angle adjustment at back
- Plus and minus adjustments for all dimensions
- Bottom panel is cut to size without notching
- Tool-free front assembly
- For frame and frameless cabinetry
- Compatible with Dynapro 16 with 2D or 3D adjustment
- Packaged 5 pair per box



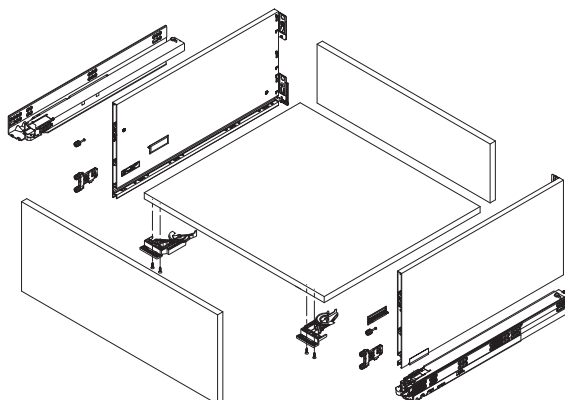
H249 - 249mm (9-3/4") Side Height			
Drawer Length	White Item #	Silver Grey Item #	Graphite Item #
15"	GVIF135135068207	GVIF135135077207	GVIF135135086207
18"	GVIF135135071207	GVIF135135080207	GVIF135135089207
21"	GVIF135135074207	GVIF135135083207	GVIF135135092207



Front Locking Devices		
Item #	Description	Box Qty
GDPF134116420233	Left front locking device with flange	200
GDPF134116421233	Right front locking device with flange	200



Adapter Sets for 249mm (4-3/4") Height: Includes 2 front connectors with 10mm dowels and 2 interior cover caps		
Item #	Color	Box Qty
GVIF136100320517	White	50
GVIF136100318517	Silver Grey	50
GVIF136100320517	Graphite	50





**GRASS VIONARO DRAWER SYSTEMS**



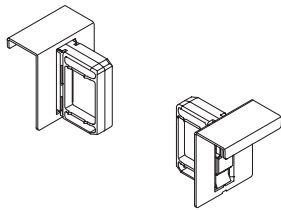
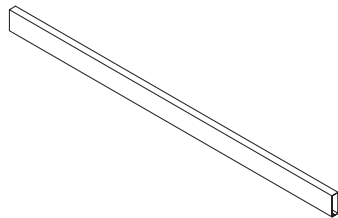
**Cross-Divider Railing System**



- Cross-divider for all Vionaro drawers
- Simple installation by mounting on the drawer side
- Can be retrofitted at any time
- Tool-free adjustment

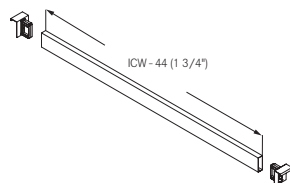
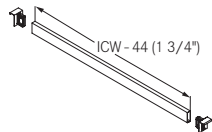
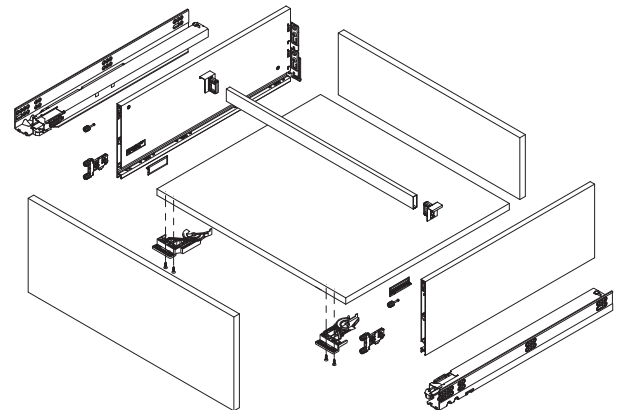
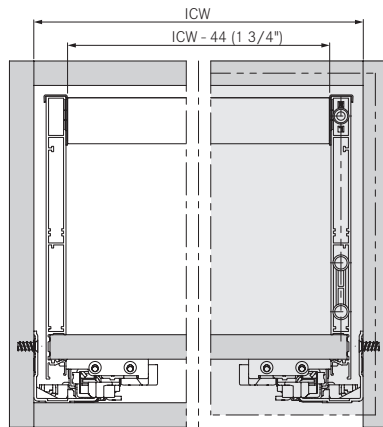
**Cross-Divider: 1124mm (44-1/4") Can be cut to length**

Item #	Color	Box Qty
GVIF136107417507	White	10
GVIF136107415507	Silver Grey	10
GVIF136107416507	Graphite	10



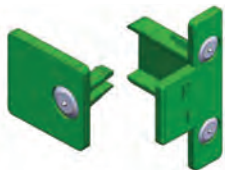
**Holder for Cross-Divider**

Item #	Color	Box Qty
GVIF136107481533	White	200
GVIF136107479533	Silver Grey	200
GVIF136107480533	Graphite	200



A  
B  
C  
D  
E  
F  
**G**  
H  
I  
J  
K  
L  
M  
N  
O  
P  
Q  
R  
S  
T  
U  
V  
W  
X  
Y

**A GRASS VIONARO DRAWER SYSTEMS**



**Marking Jig**



- For exact marking of the drilled holes for the Vionaro front adapter
- Set contains: (1) marking jig for front connector and (1) marking jig for front stabilizer

Item #
GVIF146100545513



**Drilling Jig**

- Front drilling jig for Vionaro front adapter

Item #
GVIF146100562201



**Punching Tool for Vionaro Front Stabilizer**

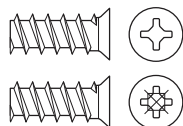
Item #
GVIF146116216299



Drill Bits for Aluminum Front Pull Outs	
Item #	Description
G00156-01	3mm, RH, for Vionaro
G00158-01	8mm, RH, for Vionaro



Wood Screw, Nickel-Plated		
Item #	Description	Box Qty
G6X58FHNI	#6 X 5/8" FHP, Nickel	500
G6X34FHNI	#6 X 3/4" FHP, Nickel	500



Euro Screw, Nickel-Plated		
Item #	Description	Box Qty
G499.360.61.1015	11mm (7/16") Pozi	500

**Visit us on our website: wurthlac.com**

The screenshot shows the Wurth website interface. At the top, there are navigation links for 'Wurth Louis and Company', 'Large Machinery Quote', and 'Feedback'. On the right, there are links for 'Register or Apply', 'Sign in', and 'En'. The main header features the WÜRTH logo, a search bar with the placeholder 'Enter search criteria here', and a shopping cart icon showing '\$0.00'. Below the header, there is a 'Shop By Category' menu and a 'Home' link. The main content area includes a large banner for 'Wurth Louis and Company Introduces: RGB TUNABLE FLEXTAPE®' with a background image of a modern interior. To the right of this banner are two smaller promotional boxes: one for 'NOW HIRING!' with the text 'Apply at: wurthlac.com/careers' and another for 'SUPPLY CHAIN CHALLENGES? We have you COVERED.' with a 'LEARN MORE' button.

**GRASS VIONARO DRAWER SYSTEMS**



**ZRAM**



- Designed for manual assembly of dowelled Zargen 6036, 6035, 6136, 6236, 6436 and 6026
- Operated by foot pedal - air required
- No adjustment required when using various drawer lengths
- Economical solution for drawer assembly

<b>Item #</b>
G93250



A  
B  
C  
D  
E  
F  
**G**  
H  
I  
J  
K  
L  
M  
N  
O  
P  
Q  
R  
S  
T  
U  
V  
W  
X  
Y

A  
B  
C  
D  
E  
F  
G  
H  
I  
J  
K  
L  
M  
N  
O  
P  
Q  
R  
S  
T  
U  
V  
W  
X  
Y

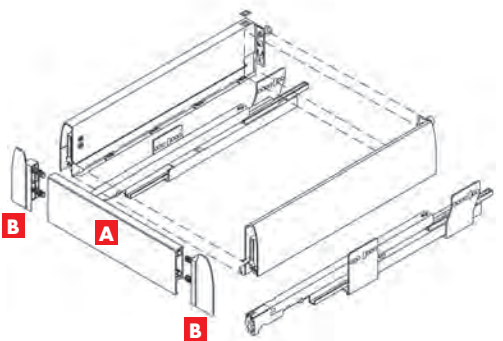
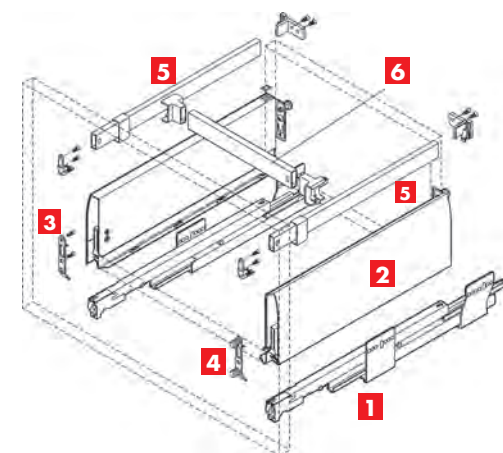
## GRASS NOVA PRO DRAWER SYSTEMS



### Nova Pro 90mm (3-1/2") Drawer Sides



- Full extension for maximum access to drawer contents
- Available load capacities: 88lb (40kg) and 154lb (70kg) dynamic
- Soft-close liquid damping system
- Tool-free drawer front removal and installation
- Cam height adjustment and tool-free side adjustment of drawer front
- Metallic finish



#### Cabinet Members

	Length	88lb Item #	Box Qty	154lb Item #	Box Qty
1	11"	GNP904-11B	10	-	-
	12"	GNP904-12B	10	-	-
	14"	GNP904-14B	10	-	-
	16"	GNP904-16B	10	-	-
	18"	GNP904-18B	10	GNP907-18B	5
	20"	GNP904-20B	10	GNP907-20B	5
	22"	GNP904-22B	10	GNP907-22B	5
	24"	GNP904-24B	10	GNP907-24B	5
	26"	-	-	GNP907-26B	5

#### Drawer Members - 90mm (3-1/2") - Metallic Finish

	Item #	Length	Box Qty
2	GNP65000-11MET	11"	10
	GNP65006-14MET	14"	10
	GNP65009-16MET	16"	10
	GNP65012-18MET	18"	10
	GNP65016-20MET	20"	10
	GNP65018-22MET	22"	10

#### Front Brackets - 2 Required per Drawer

	Item #	Description	Box Qty
3	GNP21855	Screw-on Bracket	100
4	GNP21854	Dowelled Bracket	100

#### Side Railing Sets with Tilt Adjustment - Metallic Finish

	Item #	Length	Box Qty
5	GNP45861-18MET	18"	10
	GNP45862-20MET	20"	10
	GNP45863-22MET	22"	10

#### Divider Railing Set

	Item #	Length	Box Qty
6	GVIF136107417507	44-1/4" (1124M)	10

#### Panel Holder Set - For All Lengths

	Item #	Box Qty
A	GNP66501-MET	5

#### Front Panel Set

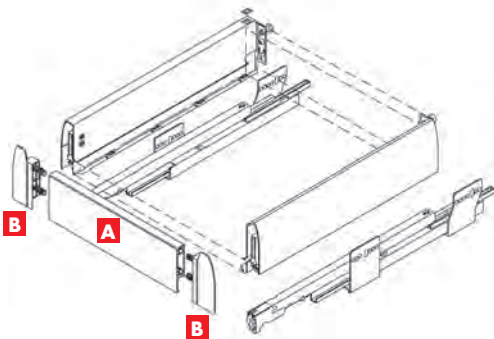
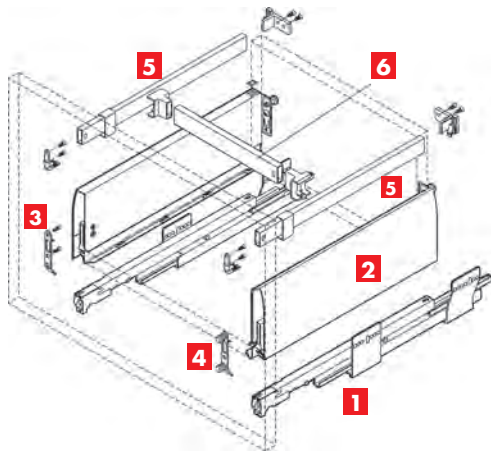
	Item #	Length	Box Qty
B	GNP51147-MET	47" (1200mm)	10

## GRASS NOVA PRO DRAWER SYSTEMS



### Nova Pro 122mm (4-3/4") Drawer Sides

- Full extension for maximum access to drawer contents
- Available load capacities: 88lb (40kg) and 154lb (70kg) dynamic
- Soft-close liquid damping system
- Tool-free drawer front removal and installation
- Cam height adjustment and tool-free side adjustment of drawer front
- Metallic finish



#### Cabinet Members

	Length	88lb Item #	Box Qty	154lb Item #	Box Qty
1	11"	GNP904-11B	10	-	-
	12"	GNP904-12B	10	-	-
	14"	GNP904-14B	10	-	-
	16"	GNP904-16B	10	-	-
	18"	GNP904-18B	10	GNP907-18B	5
	20"	GNP904-20B	10	GNP907-20B	5
	22"	GNP904-22B	10	GNP907-22B	5
	24"	GNP904-24B	10	GNP907-24B	5
	26"	-	-	GNP907-26B	5

#### Drawer Members - 122mm (4-3/4") - Metallic Finish

	Item #	Length	Box Qty
2	GNP65156-16MET	16"	10
	GNP65159-18MET	18"	10
	GNP65162-20MET	20"	10
	GNP65165-22MET	22"	10

#### Front Brackets - 2 Required per Drawer

	Item #	Description	Box Qty
3	GNP21855	Screw-on Bracket	100
4	GNP21854	Dowelled Bracket	100

#### Side Railing Sets with Tilt Adjustment - Metallic Finish

	Item #	Length	Box Qty
5	GNP45861-18MET	18"	10
	GNP45862-20MET	20"	10
	GNP45863-22MET	22"	10

#### Divider Railing Set

	Item #	Length	Box Qty
6	GVIF136107417507	44-1/4" (1124M)	10

#### Panel Holder Set - For All Lengths

	Item #	Box Qty
A	GNP66501-MET	5

#### Front Panel Set

	Item #	Length	Box Qty
B	GNP51147-MET	47" (1200mm)	10

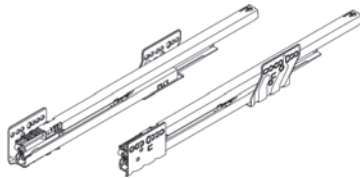
**A GRASS NOVA PRO SCALA DRAWER SYSTEMS**



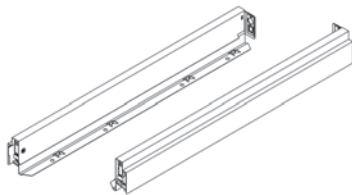
**Nova Pro Scala, Shallow Drawer  
H63 Series - 63mm (2-1/2") Side Height  
Drawer System**



- Extremely shallow drawer for limited heights
- Full extension for maximum access to drawer contents
- Integrated height and side adjustment
- Compatible with Tipmatic soft-close
- Tool-free drawer front removal and installation
- Available load capacities: 88 lb (40kg) and 154 lb (70kg) dynamic
- Fully synchronized slide technology
- Soft-close damping system



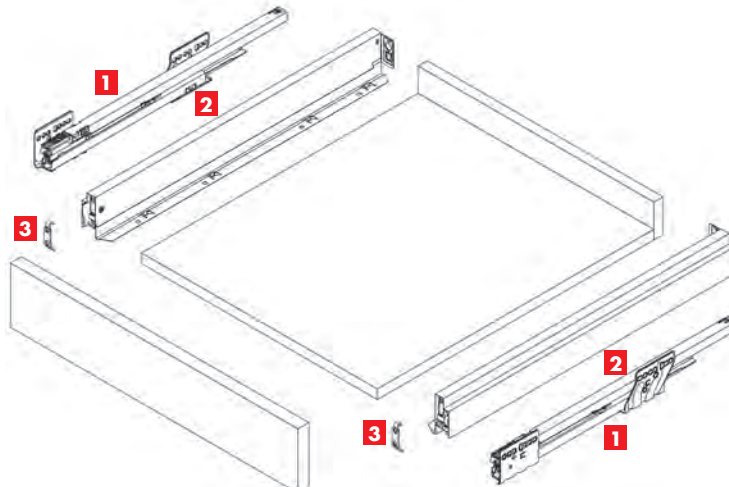
Cabinet Member Sets					
	Length	88 lb Item #	Box Qty	154 lb Item #	Box Qty
1	400mm (16")	GNP904-16B	10	-	-
	450mm (18")	GNP904-18B	10	GNP907-18B	5
	500mm (20")	GNP904-20B	10	GNP907-20B	5
	550mm (22")	GNP904-22B	10	GNP907-22B	5



Drawer Member Sets					
	Length	Stone Item #	Ice Item #	Silver Item #	Box Qty
2	400mm (16")	GNPH63S-400MM	GNPH63I-400MM	GNPH63SL-400MM	10
	450mm (18")	GNPH63S-450MM	GNPH63I-450MM	GNPH63SL-450MM	10
	500mm (20")	GNPH63S-500MM	GNPH63I-500MM	GNPH63SL-500MM	10
	550mm (22")	GNPH63S-550MM	GNPH63I-550MM	GNPH63SL-550MM	10

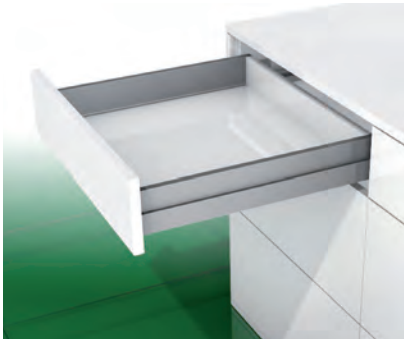


Front Brackets - NOTE: Two brackets are required per drawer			
Item #	Description	Box Qty	
3	GNPH63FFB-SO	Screw-on H63 Bracket	100
	GNPH63FFB-DWL	Dowelled H63 Bracket, 10mm	100



A  
B  
C  
D  
E  
F  
G  
H  
I  
J  
K  
L  
M  
N  
O  
P  
Q  
R  
S  
T  
U  
V  
W  
X  
Y

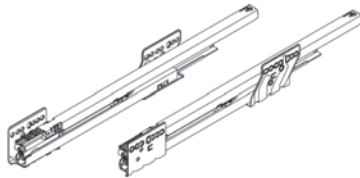
# GRASS NOVA PRO SCALA DRAWER SYSTEMS



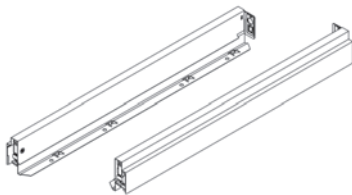
## Nova Pro Scala, Standard Drawer H90 Series - 90mm (3-1/2") Side Height Drawer System



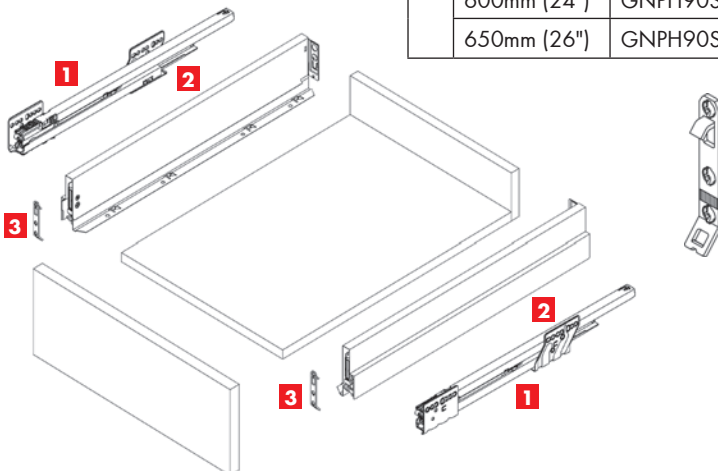
- Practical standard drawer for all applications
- Full extension for maximum access to drawer contents
- Integrated height and side adjustment
- Tool-free drawer front removal and installation
- Available load capacities: 88 lb (40kg) and 154 lb (70kg) dynamic
- Fully synchronized slide technology
- Compatible with Tipmatic soft-close
- Soft-close damping system



Cabinet Member Sets				
Length	88 lb Item #	Box Qty	154 lb Item #	Box Qty
270mm (11")	GNP904-11B	10	-	-
300mm (12")	GNP904-12B	10	-	-
350mm (14")	GNP904-14B	10	-	-
400mm (16")	GNP904-16B	10	-	-
450mm (18")	GNP904-18B	10	GNP907-18B	5
500mm (20")	GNP904-20B	10	GNP907-20B	5
550mm (22")	GNP904-22B	10	GNP907-22B	5
600mm (24")	GNP904-24B	10	GNP907-24B	5
650mm (26")	-	-	GNP907-26B	5



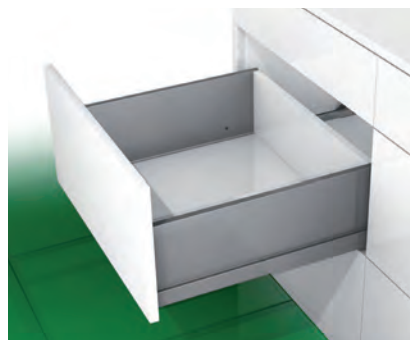
Drawer Member Sets				
Length	Stone Item #	Ice Item #	Silver Item #	Box Qty
270mm (11")	GNPH90S-270MM	GNPH90I-270MM	GNPH90SL-270MM	10
300mm (12")	GNPH90S-300MM	GNPH90I-300MM	GNPH90SL-300MM	10
350mm (14")	GNPH90S-350MM	GNPH90I-350MM	GNPH90SL-350MM	10
400mm (16")	GNPH90S-400MM	GNPH90I-400MM	GNPH90SL-400MM	10
450mm (18")	GNPH90S-450MM	GNPH90I-450MM	GNPH90SL-450MM	10
500mm (20")	GNPH90S-500MM	GNPH90I-500MM	GNPH90SL-500MM	10
550mm (22")	GNPH90S-550MM	GNPH90I-550MM	GNPH90SL-550MM	10
600mm (24")	GNPH90S-600MM	GNPH90I-600MM	GNPH90SL-600MM	10
650mm (26")	GNPH90S-650MM	GNPH90I-650MM	GNPH90SL-650MM	10



Front Brackets - NOTE: Two brackets are required per drawer		
Item #	Description	Box Qty
GNPH90FFB-SO	Screw-on Bracket	100
GNPH90FFB-DWL	Dowelled Bracket, 10mm	100

A  
B  
C  
D  
E  
F  
G  
H  
I  
J  
K  
L  
M  
N  
O  
P  
Q  
R  
S  
T  
U  
V  
W  
X  
Y

**GRASS NOVA PRO SCALA DRAWER SYSTEMS**



**Nova Pro Scala, Deep Drawer  
H186 Series - 186mm (7-5/16") Side Height  
Drawer System**



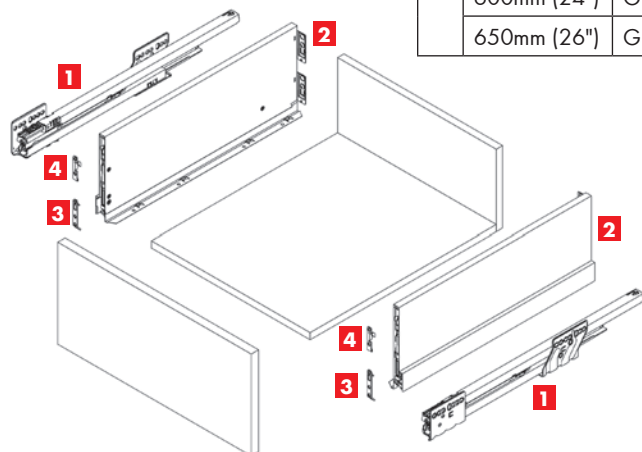
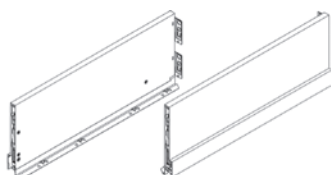
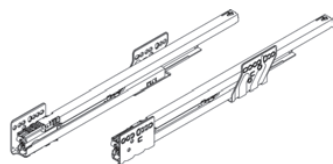
- Available load capacities: 88 lb (40kg) and 154 lb (70kg) dynamic
- High stability up to a front height of 780mm (30-11/16")
- Full extension for maximum access to drawer contents
- Tool-free drawer front removal and installation
- Fully synchronized slide technology
- Slim, deep drawer side
- Integrated height and side adjustment
- Compatible with Tipmatic soft-close
- Soft-close damping system

**Cabinet Member Sets**

Length	88 lb Item #	Box Qty	154 lb Item #	Box Qty
270mm (11")	GNP904-11B	10	-	-
300mm (12")	GNP904-12B	10	-	-
350mm (14")	GNP904-14B	10	-	-
400mm (16")	GNP904-16B	10	-	-
450mm (18")	GNP904-18B	10	GNP907-18B	5
500mm (20")	GNP904-20B	10	GNP907-20B	5
550mm (22")	GNP904-22B	10	GNP907-22B	5
600mm (24")	GNP904-24B	10	GNP907-24B	5
650mm (26")	-	-	GNP907-26B	5

**Drawer Member Sets**

Length	Stone Item #	Ice Item #	Silver Item #	Box Qty
270mm (11")	GNPH186S-270MM	GNPH186I-270MM	GNPH186SL-270MM	10
300mm (12")	GNPH186S-300MM	GNPH186I-300MM	GNPH186SL-300MM	10
350mm (14")	GNPH186S-350MM	GNPH186I-350MM	GNPH186SL-350MM	10
400mm (16")	GNPH186S-400MM	GNPH186I-400MM	GNPH186SL-400MM	10
450mm (18")	GNPH186S-450MM	GNPH186I-450MM	GNPH186SL-450MM	10
500mm (20")	GNPH186S-500MM	GNPH186I-500MM	GNPH186SL-500MM	10
550mm (22")	GNPH186S-550MM	GNPH186I-550MM	GNPH186SL-550MM	10
600mm (24")	GNPH186S-600MM	GNPH186I-600MM	GNPH186SL-600MM	10
650mm (26")	GNPH186S-650MM	GNPH186I-650MM	GNPH186SL-650MM	10



**Front Brackets**

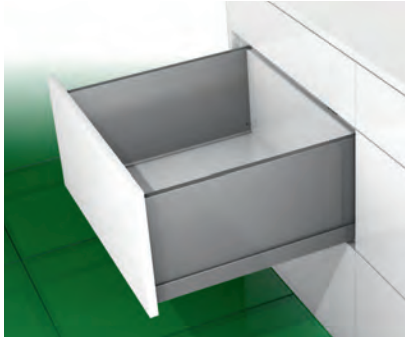
Item #	Description	Box Qty
GNPH90FFB-SO	Screw-on Bracket	100
GNPH90FFB-DWL	Dowelled Bracket, 10mm	100

**Front Clips**

Item #	Description	Box Qty
GNPH186FFB-SO	Screw-on Front Clip	100
GNPH186FFB-DWL	Dowelled Front Clip, 10mm	100



# GRASS NOVA PRO SCALA DRAWER SYSTEMS



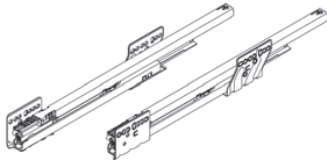
## Nova Pro Scala, Deep Drawer H250 Series - 250mm (9-13/16") Side Height Drawer System



- Full extension for maximum access to drawer contents
- Tool-free drawer front removal and installation
- Available load capacities: 88 lb (40kg) and 154 lb (70kg) dynamic
- Slim, deep drawer side
- High stability up to a front height of 780mm (30-11/16")
- Integrated height and side adjustment
- Compatible with Tipmatic soft-close
- Fully synchronized slide technology
- Soft-close damping system

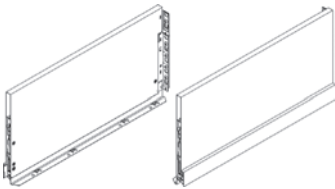
### Cabinet Member Sets

	Length	88 lb Item #	Box Qty	154 lb Item #	Box Qty
1	400mm (16")	GNP904-16B	10	—	—
	450mm (18")	GNP904-18B	10	GNP907-18B	5
	500mm (20")	GNP904-20B	10	GNP907-20B	5
	550mm (22")	GNP904-22B	10	GNP907-22B	5
	600mm (24")	GNP904-24B	10	GNP907-24B	5



### Drawer Member Sets

	Length	Stone Item #	Ice Item #	Silver Item #	Box Qty
2	400mm (16")	GNPH250S-400MM	GNPH250I-400MM	GNPH250SL-400MM	5
	450mm (18")	GNPH250S-450MM	GNPH250I-450MM	GNPH250SL-450MM	5
	500mm (20")	GNPH250S-500MM	GNPH250I-500MM	GNPH250SL-500MM	5
	550mm (22")	GNPH250S-550MM	GNPH250I-550MM	GNPH250SL-550MM	5
	600mm (24")	GNPH250S-600MM	GNPH250I-600MM	GNPH250SL-600MM	5



### Front Brackets

	Item #	Description	Box Qty
3	GNPH90FFB-SO	Screw-on Bracket	100
	GNPH90FFB-DWL	Dowelled Bracket, 10mm	100



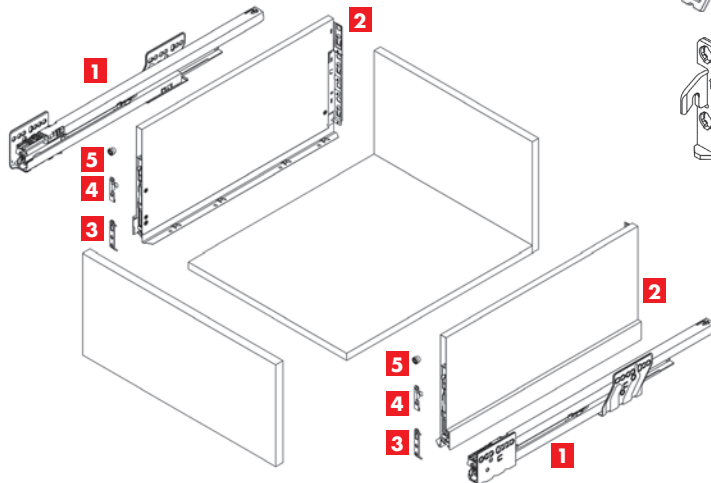
### Front Clips

	Item #	Description	Box Qty
4	GNPH186FFB-SO	Screw-on Front Clip	100
	GNPH186FFB-DWL	Dowelled Front Clip, 10mm	100



### Front Stabilizer

	Item #	Description	Box Qty
5	GNPDFS	Front Stabilizer	100



A  
B  
C  
D  
E  
F  
G  
H  
I  
J  
K  
L  
M  
N  
O  
P  
Q  
R  
S  
T  
U  
V  
W  
X  
Y

**A GRASS NOVA PRO SCALA DRAWER SYSTEMS**

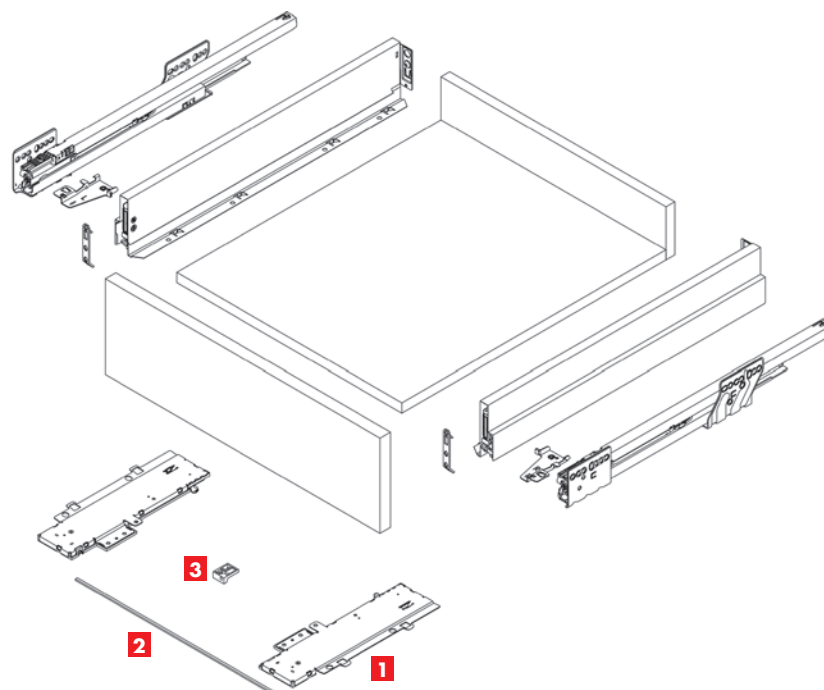
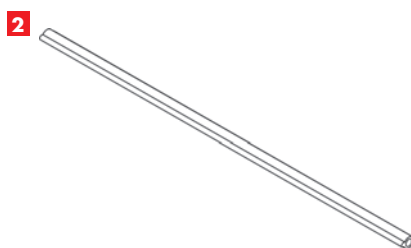
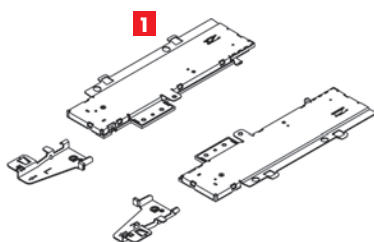


**Nova Pro Scala Tipmatic Soft-Close  
Tipmatic Full Extension with Soft-Close Action**



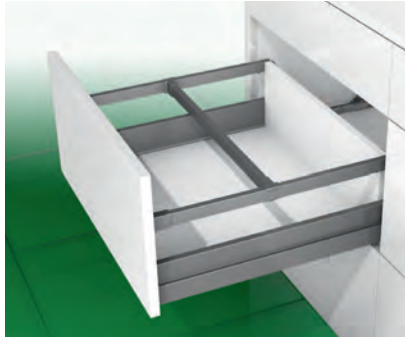
- Mechanical opening system for handle free fronts
- Combines Tipmatic function with Soft-close damping
- Tool-free assembly of the Tipmatic Soft-close unit
- One unit for all Nova Pro Scala lengths and weight classes
- 3 tier adjustment for the opening force
- Wide activation zone due to synchronization bar

Tipmatic Soft-Close			
	Item #	Description	Box Qty
1	GNP-TIPMATIC	Tipmatic Soft-Close Set, Unit & Activator	10
2	GNP-TIPMATICBAR	Tipmatic Synchronization Bar - Cut to Length, 962mm (37-7/8")	10
3	GNP-TIPMATICBARS	Tipmatic Synchronization Bar Support - Screw-on	10



A  
B  
C  
D  
E  
F  
G  
H  
I  
J  
K  
L  
M  
N  
O  
P  
Q  
R  
S  
T  
U  
V  
W  
X  
Y

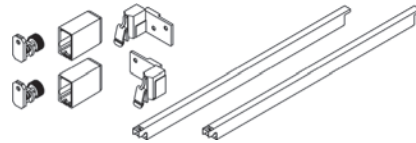
# GRASS NOVA PRO SCALA DRAWER SYSTEMS



## Nova Pro Scala Rectangular Railing



- Snug-fitting rectangular railing
- Flush-fitting back panel adapter
- Easy installation
- Easy tilt adjustment
- For use with Nova Pro Scala drawer sides
- Complete set packaging

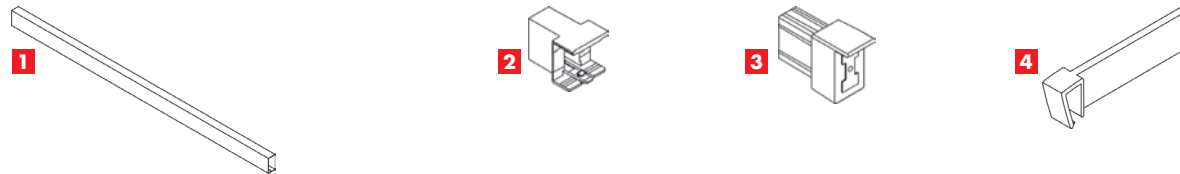


### Rectangular Railing Sets - Includes (2) railings, (2) cover caps, railing bracket front L/R, and railing bracket back L/R

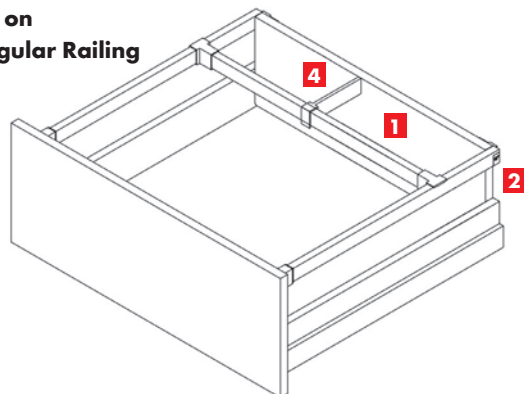
Length	Stone Item #	Ice Item #	Silver Item #	Box Qty
270mm (11")	GNPSRS-270MM	GNPSRI-270MM	GNPSRSL-270MM	10
300mm (12")	GNPSRS-300MM	GNPSRI-300MM	GNPSRSL-300MM	10
350mm (14")	GNPSRS-350MM	GNPSRI-350MM	GNPSRSL-350MM	10
400mm (16")	GNPSRS-400MM	GNPSRI-400MM	GNPSRSL-400MM	10
450mm (18")	GNPSRS-450MM	GNPSRI-450MM	GNPSRSL-450MM	10
500mm (20")	GNPSRS-500MM	GNPSRI-500MM	GNPSRSL-500MM	10
550mm (22")	GNPSRS-550MM	GNPSRI-550MM	GNPSRSL-550MM	10
600mm (24")	GNPSRS-600MM	GNPSRI-600MM	GNPSRSL-600MM	10
650mm (26")	GNPSRS-650MM	GNPSRI-650MM	GNPSRSL-650MM	10

### Drawer Member Sets

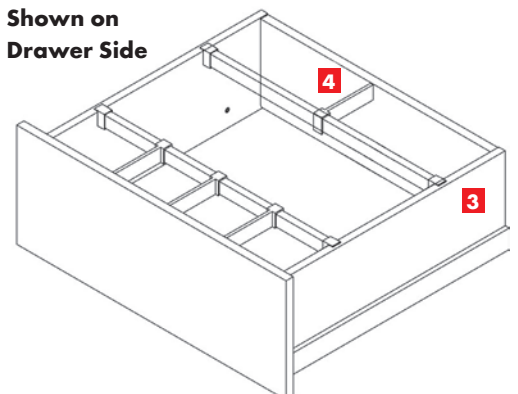
Description	Stone Item #	Ice Item #	Silver Item #	Box Qty
1 Divider Railing - Cut to Length - 1150mm (45-1/2")	GNPDRS-1150MM	GNPDRI-1150MM	GNPDRSL-1150MM	100
2 Divider Railing Clip - For Railing	GNPDRS-CLIP	GNPDRI-CLIP	GNPDRSL-CLSLP	100
3 Divider Railing Clip - For Drawer Side	GNPDRSA-CLIP	GNPDRIA-CLIP	GNPDRSLA-CLSLP	100
4 Cross Divider for Railing	GNPDRS-CLSP	GNPDRS-CLIP	GNPDRS-CLSLP	100



Shown on Rectangular Railing

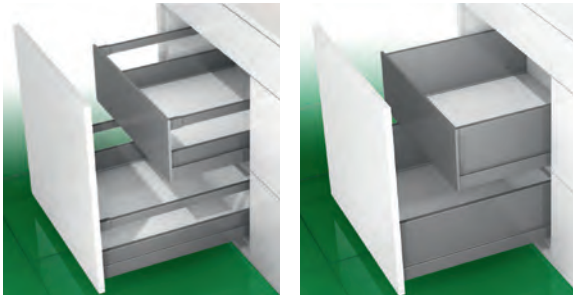


Shown on Drawer Side



A  
B  
C  
D  
E  
F  
G  
H  
I  
J  
K  
L  
M  
N  
O  
P  
Q  
R  
S  
T  
U  
V  
W  
X  
Y

**GRASS NOVA PRO SCALA DRAWER SYSTEMS**



**Nova Pro Scala Inset  
Drawer System  
H90/H90 with Railing/H186**



- Color coordinated aluminum front panel profile
- For 90mm (3-1/2") and 186mm (7-5/16") side heights

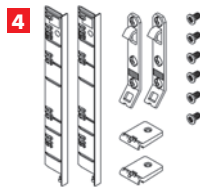
**Inset Panels - Cut to Length**

Description	Length	Stone Item #	Ice Item #	Silver Item #	Box Qty
1 Inset Panel for H90	1160mm (45-11/16")	GNPH90S-INSET	GNPH90I-INSET	GNPH90SL-SLNSET	20
2 Inset Panel for H186 or H90 with Railing	1160mm (45-11/16")	GNPH090S-INSET	GNPH090I-INSET	GNPH090SL-INSET	10



**Accessory Sets**

Description	Stone Item #	Ice Item #	Silver Item #	Box Qty
3 Inset Panel H90 Accessory Set	GNPH90S-INSETK	GNPH90I-INSETK	GNPH90SL-SLNSETK	50
4 Inset Panel H90 with Railing Accessory Set	GNPH90S-INSETR	GNPH90I-INSETR	GNPH90SL-SLNSETR	50
5 Inset Panel H186 Accessory Set	GNPH186S-INSET	GNPH186I-INSET	GNPH186SL-INSET	50



**H90 Accessory Set Includes:**

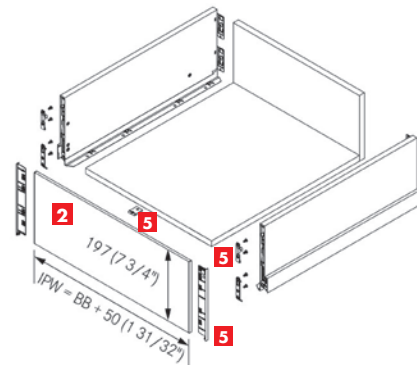
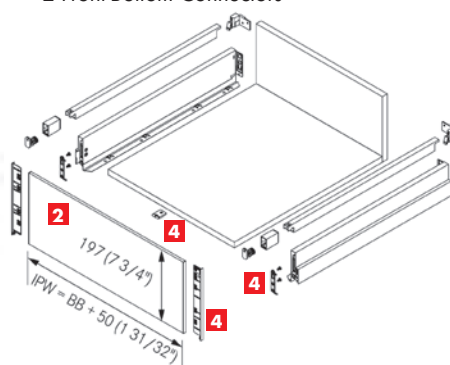
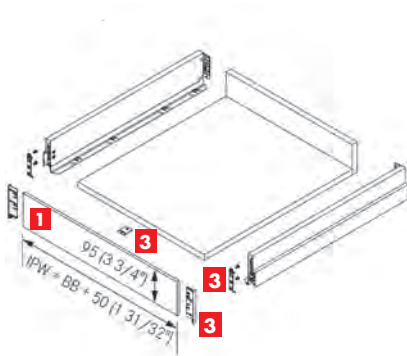
- 2 Cover Caps
- 2 Installation Brackets
- 4 Special Screws
- 2 Front Bottom Connectors

**H186 Accessory Set Includes:**

- 2 Cover Caps
- 2 Installation Brackets
- 2 Front Clips
- 8 Special Screws
- 2 Front-Bottom Connectors

**H186/H90 w/Railing Accessory Set Includes:**

- 2 Cover Caps
- 2 Installation Brackets
- 6 Special Screws
- 2 Front Bottom Connectors



**GRASS NOVA PRO SCALA DRAWER SYSTEMS**



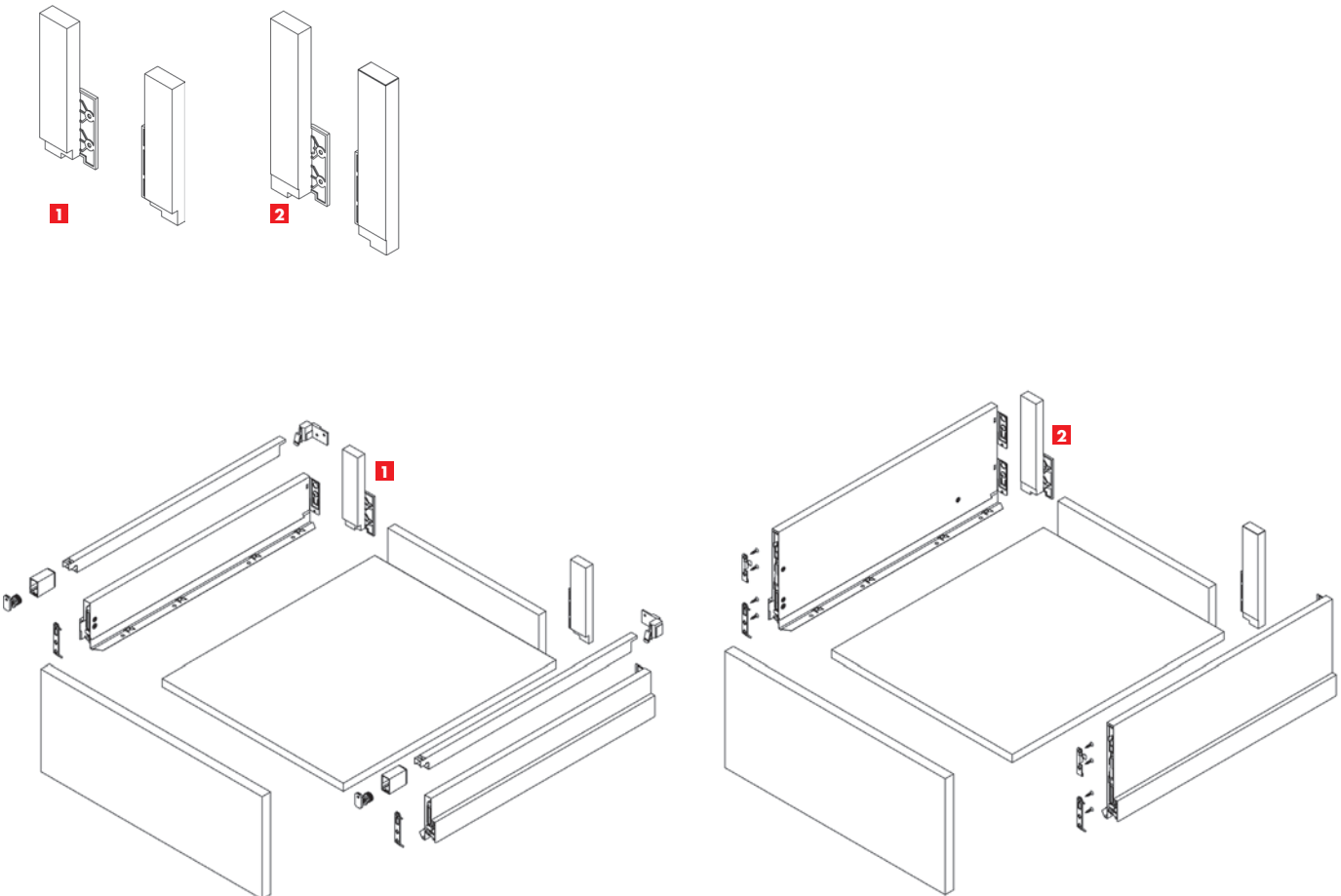
**Nova Pro Scala, Sink Back Panel Holder H90 with Railing of H186**



- Sink back panel holder for H90 with Rectangular Railing and H186 Drawer Sides
- Easy and quick production of drawers
- Provides a trap cut-out using rectangular wooden back panel
- Color-coordinated with all Nova Pro Scala drawer sides

A  
B  
C  
D  
E  
F  
**G**  
H  
I  
J  
K  
L  
M  
N  
O  
P  
Q  
R  
S  
T  
U  
V  
W  
X  
Y

Sink Back Panel Holders					
	Description	Stone Item #	Ice Item #	Silver Item #	Box Qty
1	Sink Back Panel Holder for H90 with Railing - Left	GNPH90S-SBLH	GNPH90I-SBLH	GNPH186SL-INSET	50
	Sink Back Panel Holder for H90 with Railing - Right	GNPH90S-SBRH	GNPH90I-SBRH	GNPH90SL-SBRH	50
2	Sink Back Panel Holder for H186 - Set	GNPH186S-SB	GNPH186I-SB	GNPH186SL-SB	10

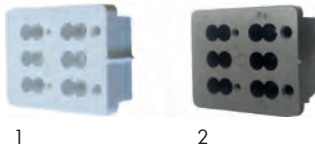


**GRASS NOVA PRO SCALA ACCESSORIES**

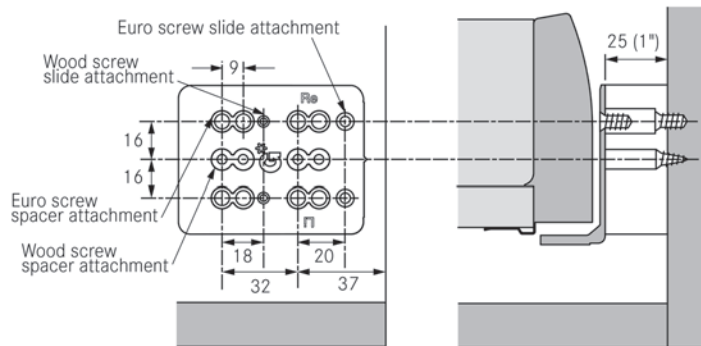


**Cabinet Member Spacers**

- Used to space slides away from the cabinet sides for interior drawer applications
- Thickness 25mm (1")
- Universal, non-handed
- Can be mounted with euro or wood screws
- Use (2) per side



Item #	Description	Box Qty
1	Nova Pro Spacer - White	20
2	Nova Pro Spacer - Stone	20



**Bottom Mount Bracket**

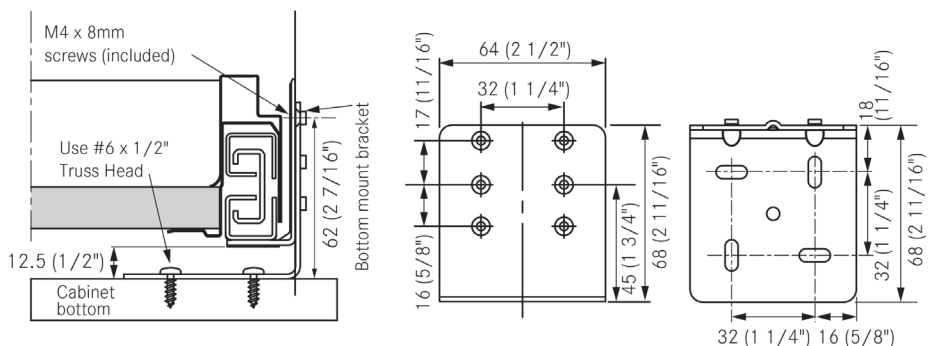
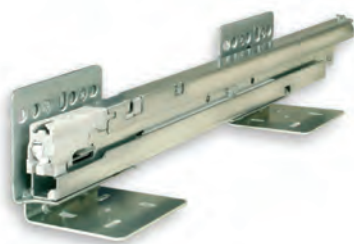
- Used to mount slides to a cabinet bottom of shelf for interior roll out trays
- Works with Dynapro and Nova Pro Scala drawer slides



Item #	Description	Box Qty
G00443-40	Interior Drawer Bracket, Set	25

**Set Includes:**

- (4) non-handed, zinc plated, steel brackets
- (8) M4 screws to attach slides to brackets
- (8) #8 x 5/8" PHP screws to mount brackets to cabinet



**GRASS NOVA PRO SCALA MACHINERY**

A  
B  
C  
D  
E  
F  
**G**  
H  
I  
J  
K  
L  
M  
N  
O  
P  
Q  
R  
S  
T  
U  
V  
W  
X  
Y



<b>Item #</b>
GF146131003299

**Tecmator ZP-N-E2**



**Machine Application:**

- Suitable for assembling Nova Pro Scala drawers – without having to change the press-in brackets
- Suitable for assembling wooden back panels
- Can be used to assemble wooden back panels with Nova Pro Scala H250 (3 dowels)
- For drawer widths up to 1200mm

**Features:**

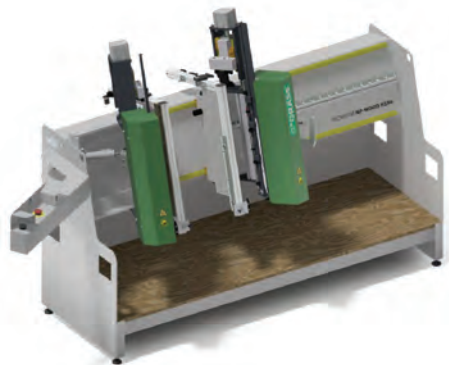
- Nova Pro Scala drawers can be assembled in 10 seconds
- Easy handling of parts on the machine
- Sturdy frame construction
- Flexible adjustment of the drawer width using the wooden back panel template (as standard or can also be retrofitted)
- The width is easily adjustable using pneumatic clamping
- Fast operating sequences

**Standard equipment:**

- Bottom claw pressing for all nominal lengths
- Stop set for cabinet width 250 – 1200 (50 mm increments)
- Stops for wooden back panel heights

**Technical Data:**

- Pneumatic Connections: min 6 bar to max 10 bar
- Dimensions: 2.45m W x 1.0m D x 2.2m H (96-7/16" W x 39-3/8" D x 86-5/8" H)
- Weight: 220 kg (485 lbs)



<b>Item #</b>
GF146032089299

**Tecmator ZP-N-Wood H186**

**Machine Application:**

- For Nova Pro Scala drawers with wooden backs
- Assembles side heights up to 186mm
- For cabinet widths 250mm -1200mm

**Features:**

- Easy and fast drawer assembly
- Easy handling of parts on the machine
- Sturdy frame construction
- Suitable for rapid production
- Flexible setting of the drawer width with a wooden back panel gauge
- Easy width adjustment

**Standard equipment:**

- Bottom claw pressing for all nominal lengths
- Stop set for cabinet width 250 – 1200 (50 mm increments)
- Stops for the wooden back panel depth

**Technical Data:**

- Pneumatic Connections: min 6 bar to max 8 bar
- Dimensions: 2.65m W x .92m D x 2.3m H (104-5/16" W x 36-1/4" D x 90-9/16" H)
- Weight: 249 kg (549 lbs)

A  
B  
C  
D  
E  
F  
G  
H  
I  
J  
K  
L  
M  
N  
O  
P  
Q  
R  
S  
T  
U  
V  
W  
X  
Y

**GRASS NOVA PRO SCALA MACHINERY & ASSEMBLY AIDS**



<b>Item #</b>
GF146132388201

**ZMV-FIX H250**

**Machine Application:**

- Tabletop drawer press suitable for pressing Grass double wall drawer systems including Nova Pro Scala and Vionaro
- For drawers with wooden back panels
- Drawer side heights of up to 250mm
- Variable drawer width up to 1200mm

**Features:**

- Easy and straightforward handling of the individual parts on the machine
- Light frame construction 12 kg (26.5 lb)
- Suitable for individual production
- Flexible setting of the drawer width with a wooden back panel gauge (standard)
- Easy width adjustment

**Standard equipment:**

- Flexible setting of the stops for the drawer depth
- Flexible setting of the stops for the wooden back panel heights
- Flexible setting of the drawer width with a wooden back panel gauge

**Insertion Die for Dowelled Front Brackets**

- For use with Nova Pro Scala front brackets
- Works with Grass Ecopress machine



<b>Item #</b>
GNP94488



**Marking Jig Set**

- For exact marking of the drill holes for Nova Pro Scala front brackets

Item #	Description
GF146094036513	Nova Pro Scala H63
GF146092050513	Nova Pro Scala H90
GF146101908513	Nova Pro Scala H186/H250



**Front Drilling Jig**

- For Nova Pro Scala front fastening, railing and add-on systems
- Can be used for drilling drawer sides of all heights
- High-quality aluminum construction

<b>Item #</b>
GF146130983201

**Punch-In Tool for Front Brackets**

- Positions and installs front brackets for Nova Pro Scala H63, H90, and H186



Item #	Description
GF146094035501	Nova Pro Scala H63
GF146091555501	Nova Pro Scala H90/H186

**Punch-in Tool for Front Clip**

- Positions and installs the front clip for Nova Pro Scala H186



<b>Item #</b>
GF146102472101

**Punch-In Tool for Front-Bottom Connector**

- Positions and installs the front-bottom connector



<b>Item #</b>
GF146083271101



**GRASS ZARGEN STEEL DRAWER SYSTEMS**



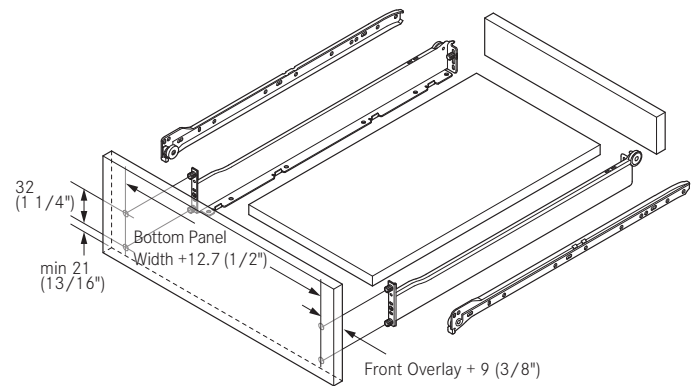
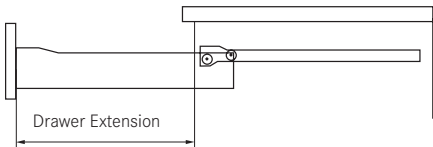
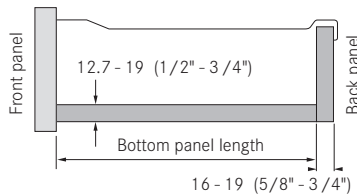
**Zargen 6035 1-11/16" (43mm) Side Height**



- Integrated drawer slide and drawer side
- Self-closing feature with 60mm (2-3/8") closing range
- Built-in drawer front bumpers
- Quick assembly through dowelled and integrated front fixing brackets
- White epoxy finish
- Tolerance adjustment 2mm (3/32")
- Load capacity: 100 lb
- Adjustments: Cam height ( $\pm 2$ mm), side ( $\pm 1.5$ mm)
- Made in the USA



Item #	Length	Box Qty
G6035-14WHL	13-3/4" (350mm)	10
G6035-16WHL	15-3/4" (400mm)	10
G6035-18WHL	17-3/8" (440mm)	10
G6035-19WHL	18-1/2" (470mm)	10
G6035-20WHL	20-1/16" (510mm)	10
G6035-22WHL	21-5/8" (550mm)	10



Slide Length	Bottom Panel Length		Extension	
	16mm (5/8") Back Panel	19mm (3/4") Back Panel	Single Stop	Double Stop
350 (13 3/4")	331 (13 1/16")	328 (12 15/16")	280 (11")	-
400 (15 3/4")	381 (15")	378 (14 7/8")	300 (11 13/16")	314 (12 3/8")
440 (17 3/8")	421 (16 9/16")	418 (16 7/16")	340 (13 3/8")	354 (13 15/16")
470 (18 1/2")	451 (17 3/4")	448 (17 5/8")	370 (14 9/16")	384 (15 1/8")
510 (20 1/16")	491 (19 5/16")	488 (19 3/16")	410 (16 1/8")	424 (16 11/16")
550 (21 5/8")	531 (20 7/8")	528 (20 13/16")	450 (17 11/16")	464 (18 1/4")

A  
B  
C  
D  
E  
F  
G  
H  
I  
J  
K  
L  
M  
N  
O  
P  
Q  
R  
S  
T  
U  
V  
W  
X  
Y

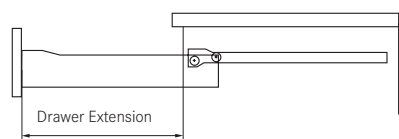
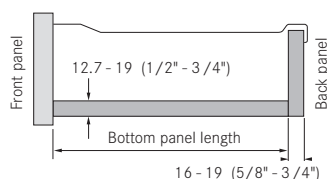
## GRASS ZARGEN STEEL DRAWER SYSTEMS



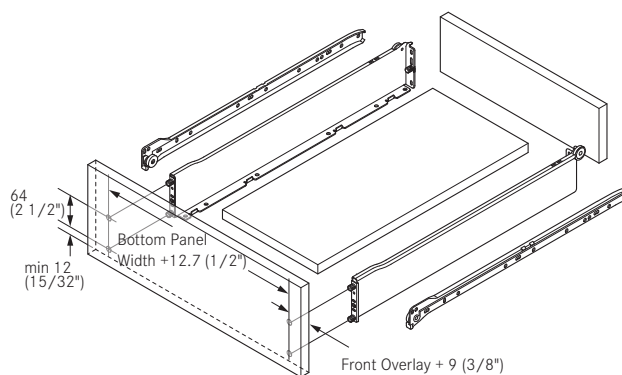
### Zargen 6036 3-3/8" (85mm) Side Height



- Integrated drawer slide and drawer side
- Self-closing feature with 60mm (2-3/8") closing range
- Built-in drawer front bumpers
- Quick assembly through dowelled and integrated front fixing brackets
- White epoxy finish
- Tolerance adjustment 2mm (3/32")
- Load capacity: 100 lb
- Adjustments: Cam height ( $\pm 2$ mm), side ( $\pm 1.5$ mm)
- Made in the USA



Item #	Length	Box Qty
G6036-10WHL	10-5/8" (270mm)	10
G6036-14WHL	13-3/4" (350mm)	10
G6036-16WHL	15-3/4" (400mm)	10
G6036-18WHL	17-3/8" (440mm)	10
G6036-19WHL	18-1/2" (470mm)	10
G6036-20WHL	20-1/16" (510mm)	10
G6036-22WHL	21-5/8" (550mm)	10
G6036-20WHLB	20-1/16" (510mm)	300
G6036-22WHLB	21-5/8" (550mm)	300



Slide Length	Bottom Panel Length		Extension	
	16mm (5/8") Back Panel	19mm (3/4") Back Panel	Single Stop	Double Stop
350 (13 3/4")	331 (13 1/16")	328 (12 15/16")	280 (11")	-
400 (15 3/4")	381 (15")	378 (14 7/8")	300 (11 13/16")	314 (12 3/8")
440 (17 3/8")	421 (16 9/16")	418 (16 7/16")	340 (13 3/8")	354 (13 15/16")
470 (18 1/2")	451 (17 3/4")	448 (17 5/8")	370 (14 9/16")	384 (15 1/8")
510 (20 1/16")	491 (19 5/16")	488 (19 3/16")	410 (16 1/8")	424 (16 11/16")
550 (21 5/8")	531 (20 7/8")	528 (20 13/16")	450 (17 11/16")	464 (18 1/4")

## GRASS ZARGEN STEEL DRAWER SYSTEMS



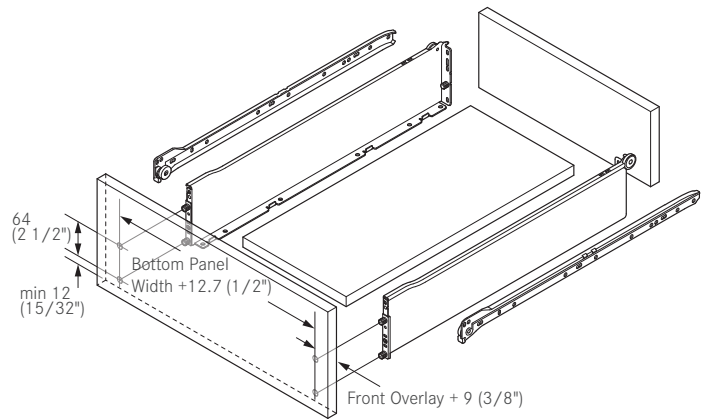
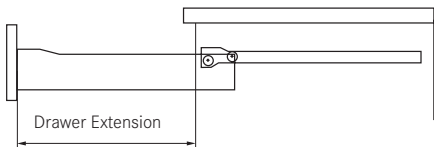
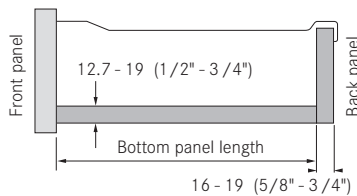
### Zargen 6136 4-5/8" (117mm) Side Height



- Integrated drawer slide and drawer side
- Self-closing feature with 60mm (2-3/8") closing range
- Built-in drawer front bumpers
- Quick assembly through dowelled and integrated front fixing brackets
- White epoxy finish
- Tolerance adjustment 2mm (3/32")
- Load capacity: 100 lb
- Adjustments: Cam height ( $\pm 2$ mm), side ( $\pm 1.5$ mm)
- Made in the USA



Item #	Length	Box Qty
G6136-14WHB	13-3/4" (350mm)	5
G6136-16WHB	15-3/4" (400mm)	5
G6136-18WHB	17-3/8" (440mm)	5
G6136-19WHB	18-1/2" (470mm)	5
G6136-20WHB	20-1/16" (510mm)	5
G6136-22WHB	21-5/8" (550mm)	5



Slide Length	Bottom Panel Length		Extension	
	16mm (5/8") Back Panel	19mm (3/4") Back Panel	Single Stop	Double Stop
350 (13 3/4")	331 (13 1/16")	328 (12 15/16")	280 (11")	-
400 (15 3/4")	381 (15")	378 (14 7/8")	300 (11 13/16")	314 (12 3/8")
440 (17 3/8")	421 (16 9/16")	418 (16 7/16")	340 (13 3/8")	354 (13 15/16")
470 (18 1/2")	451 (17 3/4")	448 (17 5/8")	370 (14 9/16")	384 (15 1/8")
510 (20 1/16")	491 (19 5/16")	488 (19 3/16")	410 (16 1/8")	424 (16 11/16")
550 (21 5/8")	531 (20 7/8")	528 (20 13/16")	450 (17 11/16")	464 (18 1/4")

A  
B  
C  
D  
E  
F  
G  
H  
I  
J  
K  
L  
M  
N  
O  
P  
Q  
R  
S  
T  
U  
V  
W  
X  
Y

**GRASS ZARGEN STEEL DRAWER SYSTEMS**



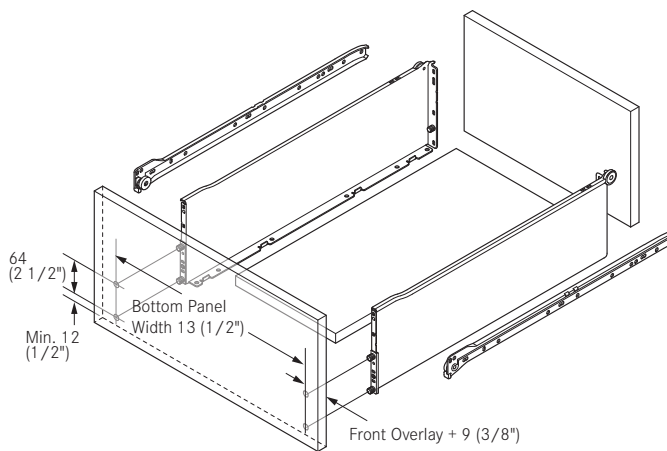
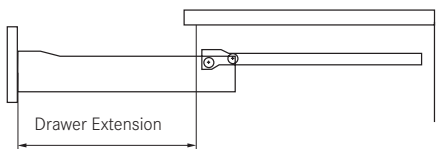
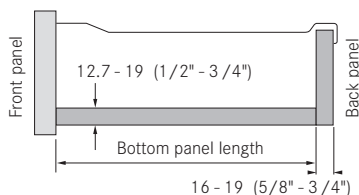
**Zargen 6236 5-7/8" (149mm) Side Height**



- Integrated drawer slide and drawer side
- Self-closing feature with 60mm (2-3/8") closing range
- Built-in drawer front bumpers
- Quick assembly through dowelled and integrated front fixing brackets
- White epoxy finish
- Tolerance adjustment 2mm (3/32")
- Load capacity: 100 lb
- Adjustments: Cam height ( $\pm 2$ mm), side ( $\pm 1.5$ mm)
- Made in the USA



Item #	Length	Box Qty
G6236-14WH	13-3/4" (350mm)	5
G6236-16WH	15-3/4" (400mm)	5
G6236-18WH	17-3/8" (440mm)	5
G6236-19WH	18-1/2" (470mm)	5
G6236-20WH	20-1/16" (510mm)	5
G6236-22WH	21-5/8" (550mm)	5



Slide Length	Bottom Panel Length		Extension	
	16mm (5/8") Back Panel	19mm (3/4") Back Panel	Single Stop	Double Stop
350 (13 3/4")	331 (13 1/16")	328 (12 15/16")	280 (11")	-
400 (15 3/4")	381 (15")	378 (14 7/8")	300 (11 13/16")	314 (12 3/8")
440 (17 3/8")	421 (16 9/16")	418 (16 7/16")	340 (13 3/8")	354 (13 15/16")
470 (18 1/2")	451 (17 3/4")	448 (17 5/8")	370 (14 9/16")	384 (15 1/8")
510 (20 1/16")	491 (19 5/16")	488 (19 3/16")	410 (16 1/8")	424 (16 11/16")
550 (21 5/8")	531 (20 7/8")	528 (20 13/16")	450 (17 11/16")	464 (18 1/4")

**GRASS ZARGEN STEEL DRAWER SYSTEMS**

A  
B  
C  
D  
E  
F  
**G**  
H  
I  
J  
K  
L  
M  
N  
O  
P  
Q  
R  
S  
T  
U  
V  
W  
X  
Y



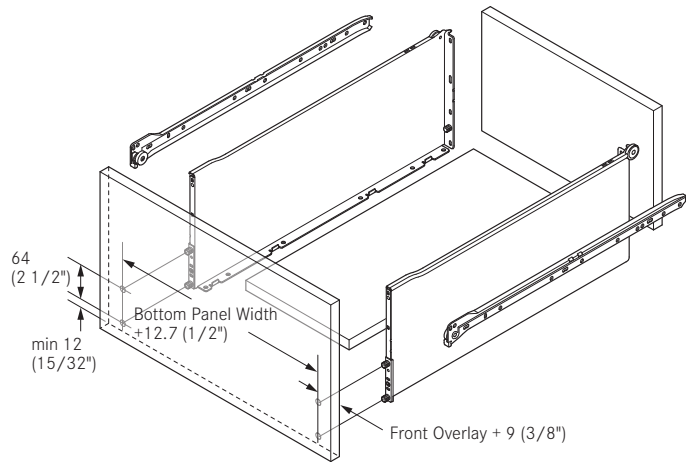
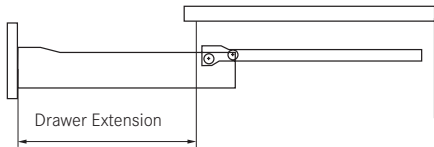
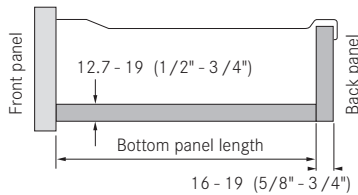
**Zargen 6436 8-3/8" (213mm) Side Height**



- Integrated drawer slide and drawer side
- Self-closing feature with 60mm (2-3/8") closing range
- Built-in drawer front bumpers
- Quick assembly through dowelled and integrated front fixing brackets
- White epoxy finish
- Tolerance adjustment 2mm (3/32")
- Load capacity: 100 lb
- Adjustments: Cam height ( $\pm 2$ mm), side ( $\pm 1.5$ mm)
- Made in the USA



Item #	Length	Box Qty
G6436-14WH	13-3/4" (350mm)	5
G6436-16WH	15-3/4" (400mm)	5
G6436-18WH	17-3/8" (440mm)	5
G6436-19WH	18-1/2" (470mm)	5
G6436-20WH	20-1/16" (510mm)	5
G6436-22WH	21-5/8" (550mm)	5



Slide Length	Bottom Panel Length		Extension	
	16mm (5/8") Back Panel	19mm (3/4") Back Panel	Single Stop	Double Stop
350 (13 3/4")	331 (13 1/16")	328 (12 15/16")	280 (11")	-
400 (15 3/4")	381 (15")	378 (14 7/8")	300 (11 13/16")	314 (12 3/8")
440 (17 3/8")	421 (16 9/16")	418 (16 7/16")	340 (13 3/8")	354 (13 15/16")
470 (18 1/2")	451 (17 3/4")	448 (17 5/8")	370 (14 9/16")	384 (15 1/8")
510 (20 1/16")	491 (19 5/16")	488 (19 3/16")	410 (16 1/8")	424 (16 11/16")
550 (21 5/8")	531 (20 7/8")	528 (20 13/16")	450 (17 11/16")	464 (18 1/4")

# GRASS ZARGEN STEEL DRAWER SYSTEMS

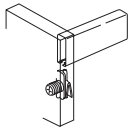


## 6100 Railing System

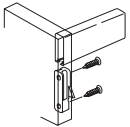


- Designed for use with Systems 6610, 6035, 6036, 6026, 6136, 6236, and 6436
- Easy to construct
- Allows end user to customize storage space
- Includes convenient rail dividers
- Available in white

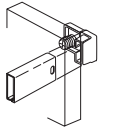
**1** Front railing clip, Dowelled



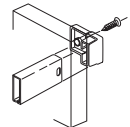
**2** Front partition clip, Screw-on



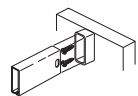
**3** Back railing clip, Dowelled



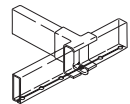
**4** Back railing clip, Screw-on



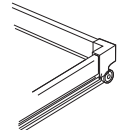
**5** Back partition clip, Screw-on



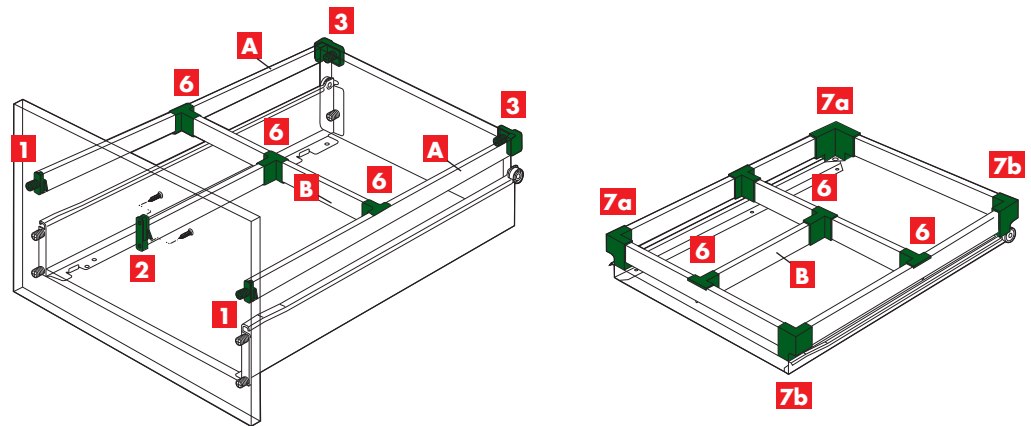
**6** Divider railing clip



**7** Corner Bracket

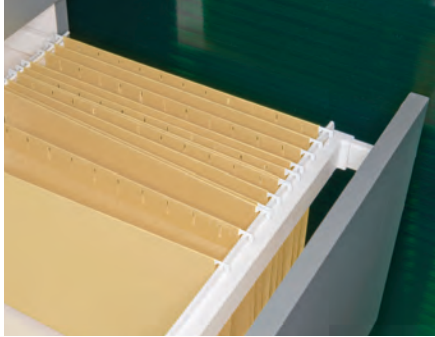


6100 Railing System			
	Item #	Length	Box Qty
A	G98128-05	13-3/4" (350mm)	20
	G6100-16WH	15-3/4" (400mm)	20
	G6100-20WH	20-1/16" (510mm)	20
	G6100-22WH	21-5/8" (550mm)	20
B	G6100-40WH	39-3/8" (1000mm) Divider Railing Cut to Size	20



6100 Railing System Accessories			
	Item #	Description	Box Qty
1	G6150-01WHD	Front Railing Clip, Dowelled	20
2	G6150-HFWH	Front Partition Clip, 4.2mm Screw-on	20
3	G6150-02WHD	Back Railing Clip, Dowelled	100
4	G6150-03WH	Back Railing Clip, 4.2mm Screw-On	20
5	G6150-20WH	Back Partition Clip, 4.2mm Screw-on	20
6	G6180WH	Divider Railing Clip	20
7a	G96771	Corner Bracket, LH	20
7b	G96772	Corner Bracket, RH	20

## GRASS ZARGEN STEEL DRAWER SYSTEMS



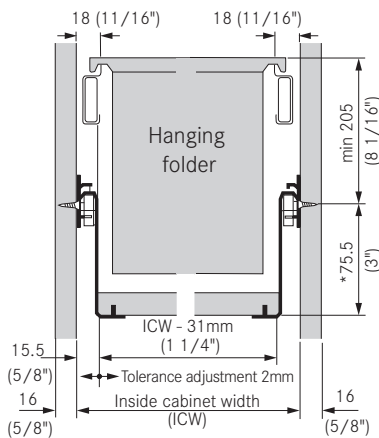
### Pendaflex 6110 File Railing



- The Pendaflex Rail 6110 provides a lip for drop in file folders
- Cut to a desired length and attached over the 6100 side railing
- Use in conjunction with Zargen
- Easy to construct
- White plastic

Rile Rail 6110			
Item #	Description	Box Qty	
1	G6110-04WH	43-5/16" (1100mm) Pendaflex Rail 6110	20
2	G6150-01WHD	Front Railing Clip, Dowelled, White	100
3	G6150-02WHD	Back Railing Clip, Dowelled, White	100

### Drawer Measurements



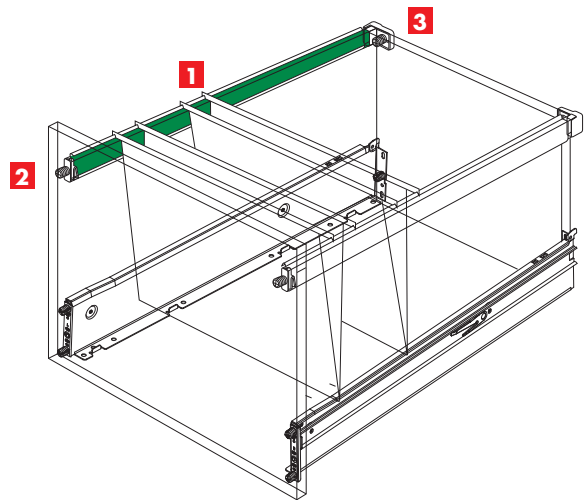
Legal Size Paper:

IWC = 418mm (16 7/16")

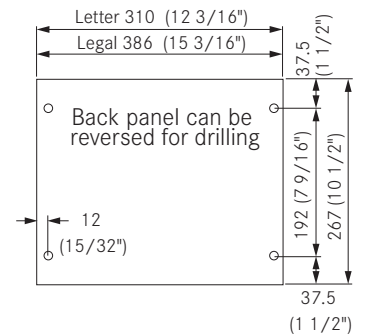
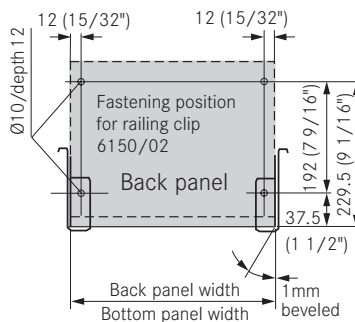
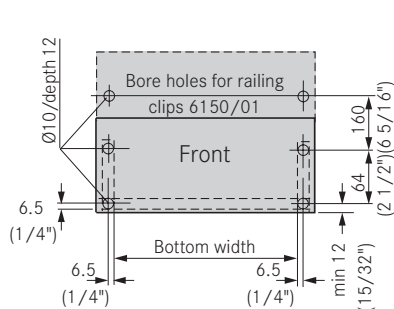
Letter size Paper:

IWC = 342mm (13 7/16")

Note: ICW = Inside Cabinet



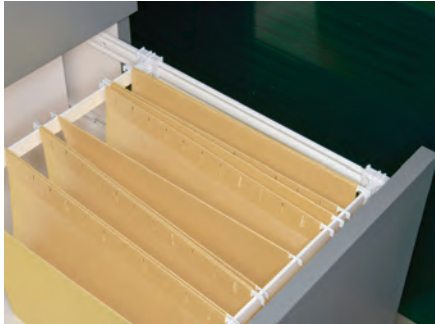
### Drilling Patterns for Pendaflex File Drawers



A  
B  
C  
D  
E  
F  
G  
H  
I  
J  
K  
L  
M  
N  
O  
P  
Q  
R  
S  
T  
U  
V  
W  
X  
Y

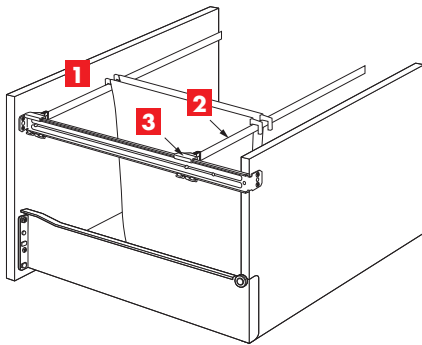
A  
B  
C  
D  
E  
F  
G  
H  
I  
J  
K  
L  
M  
N  
O  
P  
Q  
R  
S  
T  
U  
V  
W  
X  
Y

**GRASS ZARGEN STEEL DRAWER SYSTEMS**

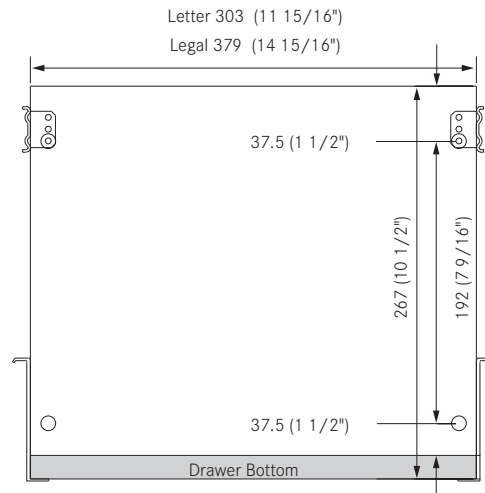
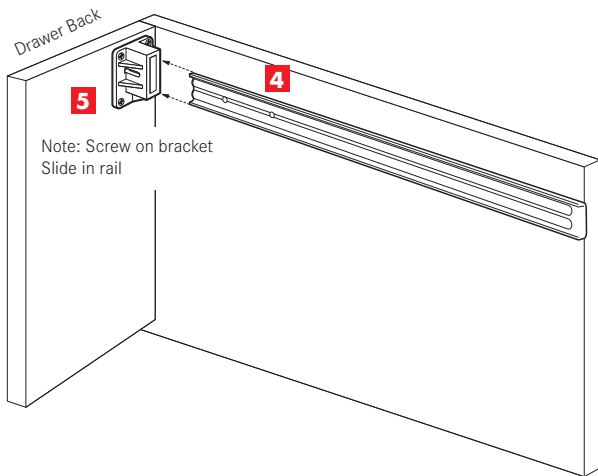


**Pendaflex File Railing**

- Designed for use with metal drawer system or wood drawer application
- File bar accommodates lateral file application
- Easy to construct
- Available in white finish
- Full boxes of 20



File Railing			
	Item #	Description	Use with Slide Length
1	G01692	US/468.5 Side Rail	18-1/2" (470mm)
	G01690	US/508.5 Side Rail	20-1/16" (510mm)
	G01686	US/548.5 Side Rail	21-5/8" (550mm)
2	G30890	28" (711mm) File Bar	—
3	G30954	Lateral File Clip	—
4	G01693	US/442.5 Partition Rail	18-1/2" (470mm)
	G01691	US/482.5 Partition Rail	20-1/16" (510mm)
	G01687	US/522.5 Partition Rail	21-5/8" (550mm)
5	G30956	Partition Bracket	—





**GRASS ZARGEN ACCESSORIES**



**ZRAM**

- Designed for manual assembly of Zargen slides
- Operated by foot pedal - air required
- No adjustment required when using various drawer lengths
- Economical solution for drawer assembly

<b>Item #</b>
G93250



**Zargen Rear Mounting Sockets**

- Drawer slide can slide in or out to achieve different cabinet depth
- Extra long length
- Socket can be stapled or screwed
- Full boxes of 500

Item #	Description
G13946	Rear Mounting Socket, Left
G13947	Rear Mounting Socket, Right

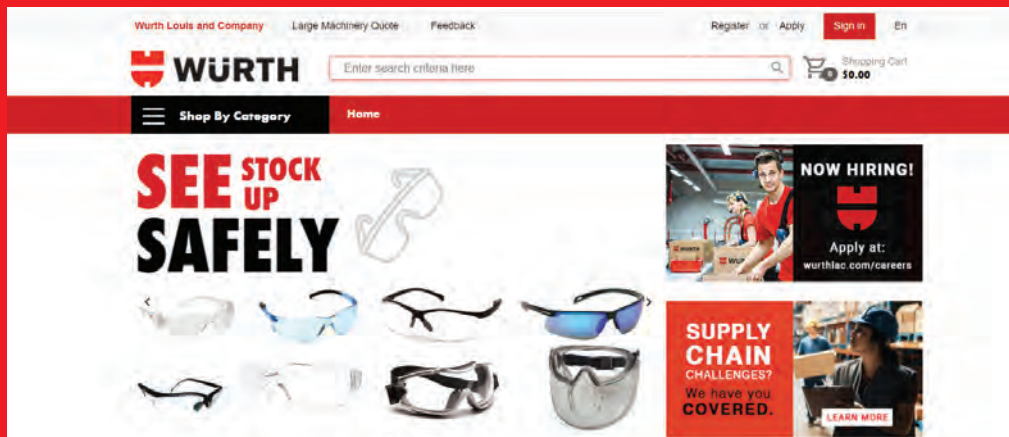


**6195 Spacers for Cabinet Members**

- Designed for doors protruding into the cabinet and for inset drawers
- White finish
- Full boxes of 20

Item #	Description
G13097	6195 Spacer/Pin, 1" (25mm), Screw-on with Pin

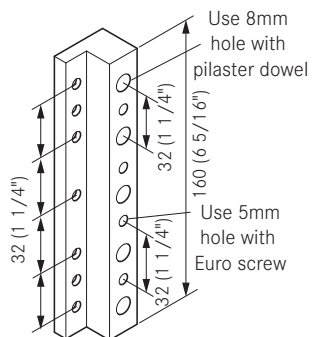
**Visit us on our website: [wurthlac.com](http://wurthlac.com)**



A  
B  
C  
D  
E  
F  
G  
H  
I  
J  
K  
L  
M  
N  
O  
P  
Q  
R  
S  
T  
U  
V  
W  
X  
Y

## A GRASS ZARGEN ACCESSORIES

B  
C  
D  
E  
F  
G  
H  
I  
J  
K  
L  
M  
N  
O  
P  
Q  
R  
S  
T  
U  
V  
W  
X  
Y



### Pilaster Mounting Bracket



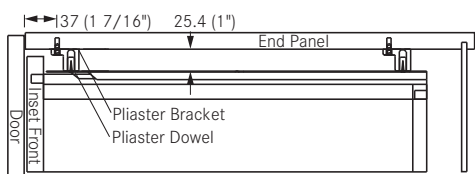
- Fits over 32mm line boring patterns
- Attaches to cabinet with Euro or wood screws
- Allows use of pilaster dowel on cabinet member for an adjustable roll out shelf
- Allows roll out shelves to be adjustable in 32mm increments
- Full boxes of 200

<b>Item #</b>
G30912



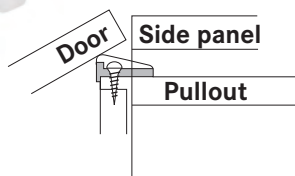
### Pilaster Dowels

- Allows for construction of adjustable pull-outs with any Zargen slides when attached to cabinet member
- Dowel requires an 8mm x 5/8" deep hole
- Attaches with a #6 x 5/8" or #6 x 1/2" screw
- Full boxes of 500



Example shown using 6036 slide with 19mm (3/4") front material

<b>Item #</b>
G00395



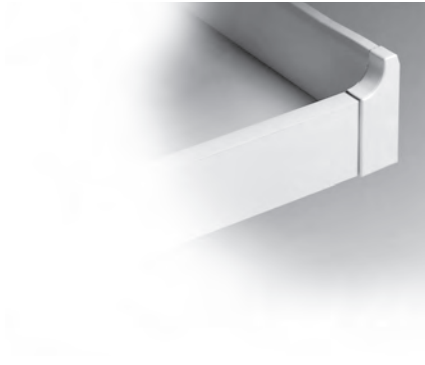
### Door/Drawer Protector

- Attaches to side of wooden pull-out.
- Designed for inset pull-out trays for frame or frameless cabinetry
- White finish
- Full boxes of 500

<b>Item #</b>
G13096

**GRASS ZARGEN ACCESSORIES**

A  
B  
C  
D  
E  
F  
**G**  
H  
I  
J  
K  
L  
M  
N  
O  
P  
Q  
R  
S  
T  
U  
V  
W  
X  
Y



**Roll-Out Tray Bracket**

- Allows 6036/6026 slides to be used as roll out trays
- Tray front is 2-5/16" (59mm)
- Bracket mounts to front of slide
- Color: white

Polybag consists of: 2 - Brackets, LH and RH; 2 - Clamps; 4 - #4 X 3/8", NI screws

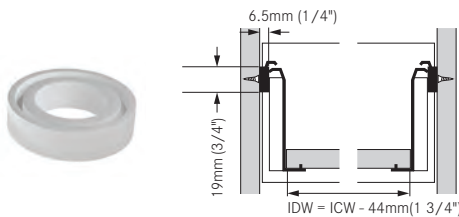
<b>Item #</b>
G30570



**6036 Support Bracket**

- Attaches to the center of wide drawers for support
- Elongated holes for drawer front adjustments
- Full boxes of 100

<b>Item #</b>
G22226-42



**6036 Spacer for Inset Drawers**

<b>Item #</b>
G00035



**Euro Screws, Nickel-Plated**

- Sold in full boxes of 500 only

Item #	Description
G499.360.61.1015	11mm Euro Screw (7/16") Pozzi



**Wood Screws, Nickel-Plated**

- Sold in full boxes of 500 only

Item #	Description
G6X58FHNI	#6 x 5/8" Phillips Head
G6X34FHNI	#6 x 3/4" Phillips Head

A  
B  
C  
D  
E  
F  
G  
H  
I  
J  
K  
L  
M  
N  
O  
P  
Q  
R  
S  
T  
U  
V  
W  
X  
Y

**GRASS ZBOX METAL DRAWER SYSTEMS**



**Grass ZBox Metal Drawer System**



- Integrated side mount ball bearing drawer slide and metal drawer side
- Ball bearing telescopic full extension
- Hold-in detent ensures drawers stay closed
- Easy lever disconnect for removal of drawer box from cabinet member
- Frameless or face frame application
- Front slotted hole for face frame mounting
- Face frame rear mounting bracket available
- Meets and exceeds ANSI/BHMA 156.9 Grade 1 testing requirements
- Drawer side - white epoxy finish; Drawer slide - Zinc coated steel
- Load capacity: 100 lbs.
- Adjustments: Cam Height  $\pm 2\text{mm}$ , Side  $\pm 1.5\text{mm}$
- Zargen is made in the USA, ZBox is assembled in the USA

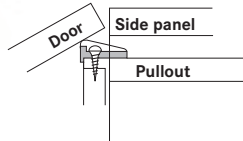


Item #	Length	Height	Box Qty
<b>Zbox 6023 - 3-3/8" (85mm) Side Height</b>			
GZBOX6023-14WH	13-3/4" (350mm)	3-3/8" (85mm)	5
GZBOX6023-16WH	15-3/4" (400mm)	3-3/8" (85mm)	5
GZBOX6023-18WH	18-1/2" (470mm)	3-3/8" (85mm)	5
GZBOX6023-20WH	20-1/16" (510mm)	3-3/8" (85mm)	5
GZBOX6023-22WH	21-5/8" (550mm)	3-3/8" (85mm)	5
<b>Zbox 6223 - 5-7/8" (149mm) Side Height</b>			
GZBOX6223-14WH	13-3/4" (350mm)	5-7/8" (149mm)	5
GZBOX6223-16WH	15-3/4" (400mm)	5-7/8" (149mm)	5
GZBOX6223-18WH	18-1/2" (470mm)	5-7/8" (149mm)	5
GZBOX6223-20WH	20-1/16" (510mm)	5-7/8" (149mm)	5
GZBOX6223-22WH	21-5/8" (550mm)	5-7/8" (149mm)	5
<b>Zbox 6423 - 8-3/8" (213mm) Side Height</b>			
GZBOX6423-14WH	13-3/4" (350mm)	8-3/8" (213mm)	5
GZBOX6423-16WH	15-3/4" (400mm)	8-3/8" (213mm)	5
GZBOX6423-18WH	18-1/2" (470mm)	8-3/8" (213mm)	5
GZBOX6423-20WH	20-1/16" (510mm)	8-3/8" (213mm)	5
GZBOX6423-22WH	21-5/8" (550mm)	8-3/8" (213mm)	5



<b>Zbox Rear Mounting Bracket</b>		
Item #	Description	Box Qty
G30102-15	Face frame rear mounting bracket	300

**GRASS ZBOX METAL DRAWER SYSTEM ACCESSORIES**



**Door/Drawer Protector**

- Attaches to side of wooden pull-out
- Designed for inset pull-out trays for frame or frameless cabinetry



<b>Item #</b>
G13096

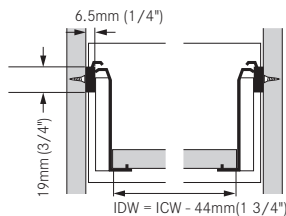


**6036 Support Bracket**

- Attaches to the center of wide drawers for support
- Elongated holes for drawer front adjustments
- Full boxes of 100

Available any quantity.

<b>Item #</b>
G22226-42



**6036 Spacer for Inset Drawers**

<b>Item #</b>
G00035

**Visit us on our website: [wurthlac.com](http://wurthlac.com)**

A  
B  
C  
D  
E  
F  
**G**  
H  
I  
J  
K  
L  
M  
N  
O  
P  
Q  
R  
S  
T  
U  
V  
W  
X  
Y

**A GRASS ZBOX MACHINERY**

B  
C  
D  
E  
F  
G  
H  
I  
J  
K  
L  
M  
N  
O  
P  
Q  
R  
S  
T  
U  
V  
W  
X  
Y



**Grass PRO1**



- Depth stop can be adjusted to material thickness
- Functional design with fast and efficient operation
- 3 spindle gear box
- 45mm pattern

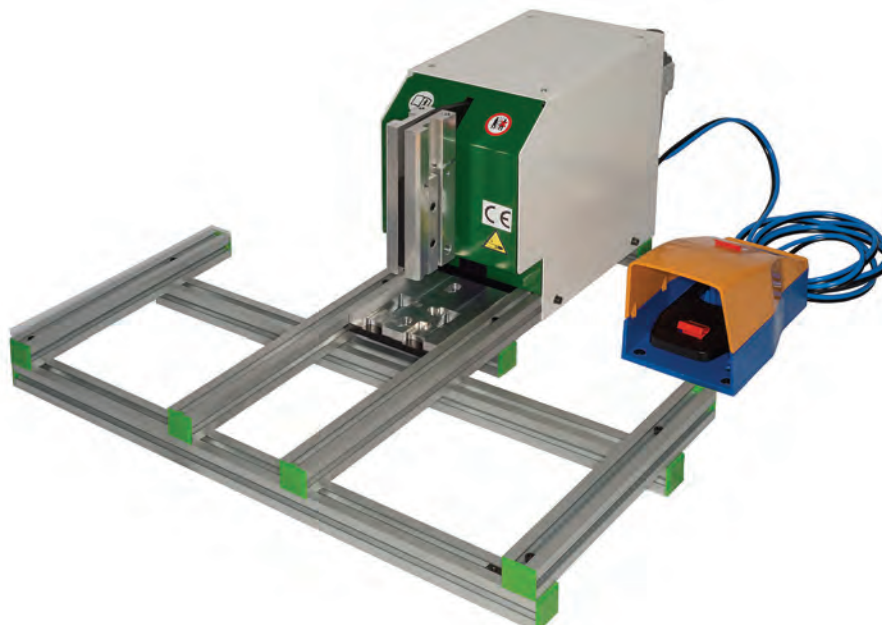
Item #	Description
G94559-01	220v Single Phase Pneumatic Machine
G94560-01	220V Three Phase Pneumatic Machine
G94561-01	110V Single Phase Pneumatic Machine



**ZRAM**

- Designed for manual assembly of dowelled ZBOX 6023, 6223, and 6423
- Operated by a foot pedal - air required
- No adjustment required when using various drawer heights
- Economical solution for drawer assembly

Item #
G93250



**AVANTECH YOU DOUBLE WALL DRAWER BOX SYSTEMS**

A  
B  
C  
D  
E  
F  
**G**  
H  
I  
J  
K  
L  
M  
N  
O  
P  
Q  
R  
S  
T  
U  
V  
W  
X  
Y



**AvanTech YOU Double Wall Drawer Sides - Complete Sets**

- Packed in sets
- Integrated vertical, lateral, depth, and tilt adjustment
- Powder coated steel
- Anthracite finish

Item #	Height	Length
HET9296750	101mm (3.98")	350mm (13.78")
HET9296751	187mm (7.36")	350mm (13.78")
HET9296752	101mm (3.98")	450mm (17.72")
HET9296753	101mm (3.98")	500mm (19.69")
HET9296754	187mm (7.36")	500mm (19.69")
HET9296755	251mm (9.88")	500mm (19.69")
HET9296756	101mm (3.98")	550mm (21.65")
HET9296757	187mm (7.36")	550mm (21.65")
HET9296758	251mm (9.88")	550mm (21.65")

**Each Kit Contains:**

- (1) Drawer side profile left
- (1) Drawer side profile right
- (2) Designer profiles
- (2) Drawer front connectors
- (1) Rear panel stabilizer

**AvanTech YOU Double Wall Drawer Sides - Individual**

- Integrated vertical, lateral, depth, and tilt adjustment
- Powder coated steel
- Anthracite finish

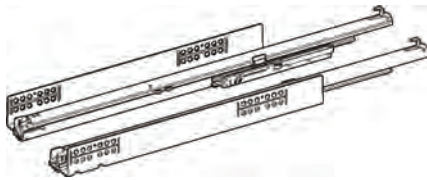
**NOTE: Cabinet members, front connectors, designer profiles and accessories can be found on page G-92**

Item #	Height	Length	Description	Box Qty
HET925517200	101mm (3.98")	350mm (13.78")	Left Hand Drawer Side - Anthracite	20
HET925517300	101mm (3.98")	350mm (13.78")	Right Hand Drawer Side - Anthracite	20
HET925522600	251mm (9.88")	350mm (13.78")	Left Hand Drawer Side - Anthracite	10
HET925522700	251mm (9.88")	350mm (13.78")	Right Hand Drawer Side - Anthracite	10
HET925523000	251mm (9.88")	450mm (17.72")	Left Hand Drawer Side - Anthracite	10
HET925523100	251mm (9.88")	450mm (17.72")	Right Hand Drawer Side - Anthracite	10



A  
B  
C  
D  
E  
F  
G  
H  
I  
J  
K  
L  
M  
N  
O  
P  
Q  
R  
S  
T  
U  
V  
W  
X  
Y

## AVANTECH YOU DOUBLE WALL DRAWER BOX SYSTEMS

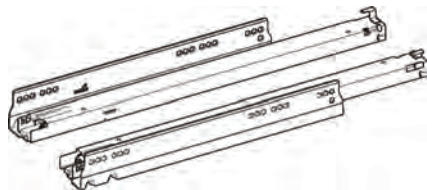


### Quadro YOU Drawer Runners with Silent System



- Full extension runner for combining AvanTech YOU system drawer or wooden drawer with catches
- Integrated silent system
- Optionally upgradable with Push-to-Open Silent
- Load capacity 90 lbs dynamic
- Load capacity to EN 15338, Level 3
- Galvanized steel

Item #	Description	Box Qty
HET9256854	270mm (10.63") Left Hand Drawer Slide	20
HET9256855	270mm (10.63") Right Hand Drawer Slide	20
HET9256860	350mm (13.78") Left Hand Drawer Slide	20
HET9256861	350mm (13.78") Right Hand Drawer Slide	20
HET9256864	400mm (15.75") Left Hand Drawer Slide	20
HET9256865	400mm (15.75") Right Hand Drawer Slide	20
HET9256868	450mm (17.72") Left Hand Drawer Slide	20
HET9256869	450mm (17.72") Right Hand Drawer Slide	20
HET9256872	500mm (19.69") Left Hand Drawer Slide	20
HET9256873	500mm (19.69") Right Hand Drawer Slide	20
HET9256876	550mm (21.65") Left Hand Drawer Slide	20
HET9256877	550mm (21.65") Right Hand Drawer Slide	20



### Actro YOU Drawer Runners with Silent System

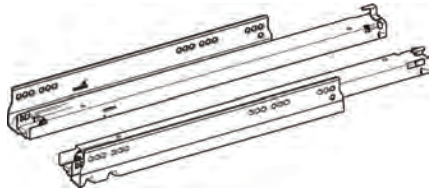
- Full extension runner for combining AvanTech YOU system drawer or wooden drawer with catches
- Integrated silent system
- Optionally upgradable with Push-to-Open Silent
- Load capacity 88/154 lbs
- Load capacity to EN 15338, Level 3
- Galvanized steel

	Item #	Description	Box Qty
<b>88 lb Drawer Slides</b>	HET9256974	270mm (10.63") Left Hand Drawer Slide	10
	HET9256975	270mm (10.63") Right Hand Drawer Slide	10
	HET9256980	350mm (13.78") Left Hand Drawer Slide	10
	HET9256981	350mm (13.78") Right Hand Drawer Slide	10
	HET9256984	400mm (15.75") Left Hand Drawer Slide	10
	HET9256985	400mm (15.75") Right Hand Drawer Slide	10
	HET9256988	450mm (17.72") Left Hand Drawer Slide	10
	HET9256989	450mm (17.72") Right Hand Drawer Slide	10
	HET9256992	500mm (19.69") Left Hand Drawer Slide	10
	HET9256993	500mm (19.69") Right Hand Drawer Slide	10
	HET9256996	550mm (21.65") Left Hand Drawer Slide	10
	HET9256997	550mm (21.65") Right Hand Drawer Slide	10

	Item #	Description	Box Qty
<b>154 lb Drawer Slides</b>	HET9257013	450mm (17.72") Left Hand Drawer Slide	10
	HET9257014	450mm (17.72") Right Hand Drawer Slide	10
	HET9257017	500mm (19.69") Left Hand Drawer Slide	10
	HET9257018	500mm (19.69") Right Hand Drawer Slide	10
	HET9257021	550mm (21.65") Left Hand Drawer Slide	10
	HET9257022	550mm (21.65") Right Hand Drawer Slide	10
	HET9257027	650mm (25.59") Left Hand Drawer Slide	5
	HET9257028	650mm (25.59") Right Hand Drawer Slide	5



**AVANTECH YOU DOUBLE WALL DRAWER BOX SYSTEMS**



**Actro 5D Full Extension Runners with Silent System**



- Integrated Silent System closes the drawer quietly and gently
- Catch for convenient slide on installation must be ordered separately
- Vertical adjustment up to +3mm
- Lateral adjustment up to +/- 1.5mm
- Radial adjustment up to +/- 1.5mm
- Tilt adjustment +4mm
- Optional depth adjustment up to +/- 2mm
- Optional Push-to-Open Silent opening system
- Load capacity to EN 15338, Level 3
- Galvanized steel, suitable for rooms exposed to moisture

88 lb Drawer Slides		
Item #	Description	Box Qty
HET9257069-380LH	380mm (14.96") Left Hand Drawer Slide	10
HET9257070-380RH	380mm (14.96") Right Hand Drawer Slide	10
HET9257075-450LH	450mm (17.72") Left Hand Drawer Slide	10
HET9257076-450RH	450mm (17.72") Right Hand Drawer Slide	10
HET9257079-500LH	500mm (19.69") Left Hand Drawer Slide	10
HET9257080-500RH	500mm (19.69") Right Hand Drawer Slide	10
HET9257083-550LH	550mm (21.65") Left Hand Drawer Slide	10
HET9257084-550RH	550mm (21.65") Right Hand Drawer Slide	10
HET9268682-600LH	600mm (23.62") Left Hand Drawer Slide	10
HET9268683-600RH	600mm (23.62") Right Hand Drawer Slide	10

154 lb Drawer Slides		
Item #	Description	Box Qty
HET9257106-520LH	520mm (20.47") Left Hand Drawer Slide	10
HET9257107-520RH	520mm (20.47") Right Hand Drawer Slide	10
HET9257108-550LH	550mm (21.65") Left Hand Drawer Slide	10
HET9257109-550RH	550mm (21.65") Right Hand Drawer Slide	10
HET9257112-600LH	600mm (23.62") Left Hand Drawer Slide	10
HET9257113-600RH	600mm (23.62") Right Hand Drawer Slide	10
HET9257114-650LH	650mm (25.59") Left Hand Drawer Slide	5
HET9257115-650RH	650mm (25.59") Right Hand Drawer Slide	5
HET9257116-700LH	700mm (27.56") Left Hand Drawer Slide	5
HET9257117-700RH	700mm (27.56") Right Hand Drawer Slide	5
HET9257118-750LH	750mm (29.53") Left Hand Drawer Slide	5
HET9257119-750RH	750mm (29.53") Right Hand Drawer Slide	5



**ACTRO 5D Left/Right Front Locking Devices**



- Tool-less, intuitive side adjustment up to +/- 1.5mm
- Height adjustment up to +3mm
- Constructed of die-cast zinc and plastic
- Anthracite finish

Item #	Box Qty
HET9257268	5 Pair

A  
B  
C  
D  
E  
F  
G  
H  
I  
J  
K  
L  
M  
N  
O  
P  
Q  
R  
S  
T  
U  
V  
W  
X  
Y

A  
B  
C  
D  
E  
F  
G  
H  
I  
J  
K  
L  
M  
N  
O  
P  
Q  
R  
S  
T  
U  
V  
W  
X  
Y

## AVANTECH YOU DRAWER SYSTEM ACCESSORIES

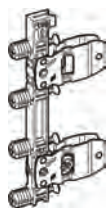


### Drawer Side Profiles

- For clipping on AvanTech YOU drawer sides
- Plastic, solid colored
- Anthracite finish



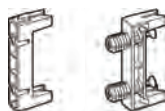
Item #	Description	Box Qty
HET9255824	350mm (13.78") Design Profile	1/200 EA
HET925582600	450mm (17.72") Design Profile	1/200 EA



### Drawer Front Connector for Drawer Side Profile - Height 187mm/251mm

- Dowelled
- Made of steel

Item #	Box Qty
HET925583901	1/200 EA



### Drawer Front Connector Side Profile - Stabilizer - Height 251mm

- Dowelled
- Plastic, anthracite

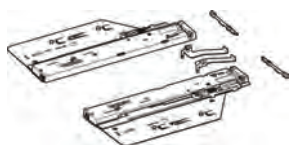
Item #	Box Qty
HET925788800	1/50 EA



### Rear Panel Stabilizer

- For wooden and aluminum rear panels
- 1 each for cabinet body width < 600mm
- 2 each >= 600mm
- 3 each >= 800mm
- 5 each = 1200mm
- Made of plastic

Item #	Box Qty
HET9257702	1/200 EA



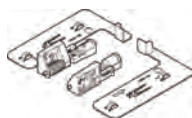
### Push-to-Open Silent Opening System for Actro YOU

- Can be used with AvanTech YOU system drawer on Actro YOU drawer runner with Silent System

#### Set Includes:

- (1) Push-to-Open Silent unit, left and right
- (1) Activator, left and right
- (2) Adapters for Synchronization

Item #	Load Class	Length	Box Qty
HET9257892	88 lbs	270mm (10.63") - 650mm (25.59")	1 Set
HET9257893	154 lbs	400mm (15.75") - 650mm (25.59")	1 Set



### Depth Adjustment

- Tool-less installation and adjustment up to +4mm
- For optional use with inset front panels
- Plastic, grey

#### Set Includes:

- (2) Depth adjusters
- (2) Activators

Item #	Box Qty
HET9257706	1 Set

**SECTION H - TABLE OF CONTENTS**

**Section H Contents:**

Standoffs.....2-4  
 Grommets ..... 5-14  
 Wire Management..... 15  
 Keyboard Trays ..... 16



A  
B  
C  
D  
E  
F  
G  
H  
I  
J  
K  
L  
M  
N  
O  
P  
Q  
R  
S  
T  
U  
V  
W  
X  
Y



**A STANDOFFS**



**Aluminum 4 Piece Standoff Kits  
Aluminum Finish**



- Complete standoff kit with everything you need to install a sign or display
- Material: 6061 aluminum
- Finish: clear anodized aluminum
- Includes installation instructions

Item #	Kit Includes						Designed for Material Thickness
	(4) Barrels	(4) Caps	(4) Studs for Material Thickness	(4) Studs for Material Thickness	(4) Screws	(4) Multi-Purpose Anchors	
PROG4007	3/8"Dia. x 1/2"L	3/8"Dia.	For 1/8" Thick	For 1/2" Thick	Wood Hanger	Nylon	1/8" or 1/2"
PROG4009	5/8"Dia. x 1/2"L	5/8"Dia.	For 1/4"-3/8" Thick	-	Combo	Nylon	1/4" - 3/8"
PROG4012	5/8"Dia. x 3/4"L	5/8"Dia.	For Up to 1/2" Thick	-	Combo	Nylon	Up to 1/2"
PROG4014	5/8"Dia. x 1"L	5/8"Dia.	For Up to 1/2" Thick	-	Combo	Nylon	Up to 1/2"
PROG4016	3/4"Dia. x 3/4"L	3/4"Dia.	For Up to 1/2" Thick	-	Combo	Nylon	Up to 1/2"
PROG4017	3/4"Dia. x 1"L	3/4"Dia.	For Up to 1/2" Thick	-	Combo	Nylon	Up to 1/2"
PROG4018	3/4"Dia. x 1-1/4"L	3/4"Dia.	For Up to 1/2" Thick	-	Combo	Nylon	Up to 1/2"
PROG4004	1"Dia. x 1/2"L	1"Dia.	For Up to 3/8" Thick	-	Combo	Nylon	Up to 3/8"
PROG4001	1"Dia. x 1"L	1"Dia.	For Up to 1/2" Thick	-	Combo	Nylon	Up to 1/2"
PROG4019	1"Dia. x 1-1/2"L	1"Dia.	For Up to 1/2" Thick	-	Combo	Nylon	Up to 1/2"
PROG4021	1"Dia. x 2"L	1"Dia.	For Up to 3/4" Thick	-	Combo	Nylon	Up to 3/4"
PROG4022	1-1/4"Dia. x 1"L	1-1/4"Dia.	For Up to 1/2" Thick	-	Combo	Nylon	Up to 1/2"
PROG4023	1-1/4"Dia. x 2"L	1-1/4"Dia.	For Up to 3/4" Thick	-	Combo	Nylon	Up to 3/4"
PROG4024	1-1/2"Dia. x 1"L	1-1/2"Dia.	For Up to 1/2" Thick	-	Combo	Nylon	Up to 1/2"
PROG4025	1-1/2"Dia. x 2"L	1-1/2"Dia.	For Up to 3/4" Thick	-	Combo	Nylon	Up to 3/4"

**For Workstation Brackets,  
see Section I & Section N**

**STANDOFFS**



**Aluminum 4 Piece Standoff Kits  
Black Finish**



- Complete standoff kit with everything you need to install a sign or display
- Material: 6061 aluminum
- Finish: black anodized
- Includes installation instructions

Kit Includes							
Item #	(4) Barrels	(4) Caps	(4) Studs for Material Thickness	(4) Studs for Material Thickness	(4) Screws	(4) Multi-Purpose Anchors	Designed for Material Thickness
PROG4008	3/8"Dia. x 1/2"L	3/8"Dia.	For 1/8" Thick	For 1/2" Thick	Wood Hanger	Nylon	1/8" or 1/2"
PROG4010	5/8"Dia. x 1/2"L	5/8"Dia.	For 1/4"-3/8" Thick	-	Combo	Nylon	1/4" - 3/8"
PROG4013	5/8"Dia. x 3/4"L	5/8"Dia.	For Up to 1/2" Thick	-	Combo	Nylon	Up to 1/2"
PROG4015	5/8"Dia. x 1"L	5/8"Dia.	For Up to 1/2" Thick	-	Combo	Nylon	Up to 1/2"
PROG4005	1"Dia. x 1/2"L	1"Dia.	For Up to 3/8" Thick	-	Combo	Nylon	Up to 3/8"
PROG4002	1"Dia. x 1"L	1"Dia.	For Up to 1/2" Thick	-	Combo	Nylon	Up to 1/2"
PROG4020	1"Dia. x 1-1/2"L	1"Dia.	For Up to 1/2" Thick	-	Combo	Nylon	Up to 1/2"



**Aluminum 4 Piece Standoff Kits  
Brass Finish**



- Complete standoff kit with everything you need to install a sign or display
- Material: 6061 aluminum
- Finish: brass anodized
- Includes installation instructions

Kit Includes						
Item #	(4) Barrels	(4) Caps	(4) Studs for Material Thickness	(4) Screws	(4) Multi-Purpose Anchors	Designed for Material Thickness
PROG4011	5/8"Dia. x 1/2"L	5/8"Dia.	For 1/4"-3/8" Thick	Combo	Nylon	1/4" - 3/8"
PROG4006	1"Dia. x 1/2"L	1"Dia.	For Up to 3/8" Thick	Combo	Nylon	Up to 3/8"
PROG4003	1"Dia. x 1"L	1"Dia.	For Up to 1/2" Thick	Combo	Nylon	Up to 1/2"

A  
B  
C  
D  
E  
F  
G  
H  
I  
J  
K  
L  
M  
N  
O  
P  
Q  
R  
S  
T  
U  
V  
W  
X  
Y

**A STANDOFFS / EDGE GRIPS / PANEL FLUSH MOUNTS**

B  
C  
D  
E  
F  
G  
H  
I  
J  
K  
L  
M  
N  
O  
P  
Q  
R  
S  
T  
U  
V  
W  
X  
Y



**Stainless Steel 4 Piece Standoff Kits**  
**Stainless Steel Finish**



- Complete standoff kit with everything you need to install a sign or display
- Material: 316 stainless steel
- Finish: machined stainless steel
- Includes installation instructions

**Kit Includes**

Item #	(4) Barrels	(4) Caps	(4) Studs for Material Thickness	(4) Studs for Material Thickness	(4) Screws	(4) Multi-Purpose Anchors	Designed for Material Thickness
PROG4026	1/2"Dia. x 1/2"L	1/2"Dia.	For 1/8" Thick	For 1/4" Thick	Wood Hanger	Nylon	1/8" or 1/4"
PROG4027	1"Dia. x 1"L	1"Dia.	For Up to 1/2" Thick	-	Combo	Nylon	Up to 1/2"



**Aluminum 4 Piece Edge Grip Kits**  
**Aluminum Finish**



- Edge grips are a great solution for installing your photos, artwork or glass without having to drill into the material
- Weight capacity: 20 lbs.
- Material: 6061 aluminum
- Finish: clear anodized aluminum
- Includes installation instructions

**Kit Includes**

Item #	Size	(4) Edge Grips	(4) Phillip Head Screws	(4) Multi-Purpose Anchors	Designed for Material Thickness
PROG4028	3/4"Dia. x 1"L	3/4"Dia.	1-1/4" Length	Nylon	Up To 1/4"
PROG4029	1"Dia. x 1-1/4"L	1"Dia.	1-1/4" Length	Nylon	1/8" Up To 1/2"
PROG4030	1-1/4"Dia. x 1-1/2"L	1-1/4"Dia.	1-1/4" Length	Nylon	1/8" Up To 3/4"



**Aluminum 4 Piece Panel Flush Mount Kits**  
**Aluminum Finish**



- Flush mount kits are a great solution for mounting a sign, artwork or mirror flush against a wall, without having to drill into the panel
- Brushed aluminum discs attach with VHB to deter tampering
- Material: 6061 aluminum
- Finish: clear anodized aluminum
- Includes installation instructions

**Kit Includes**

Item #	(4) Panel Clips	(4) Finishing Discs	(4) Installation Screws	(8) Vinyl Shims	(4) Multi-Purpose Anchors
PROG4031	1"Dia.	Alum.	#8 x 1-1/2"L	1/16"	Nylon
PROG4032	1-1/4"Dia.	Alum.	#8 x 1-1/2"L	1/16"	Nylon

## PLASTIC GROMMETS



### One Piece Plastic, 1" Bore Hole

- Cap has pivot hinge hole for wire
- One piece design with integral cap and liner



Item #	Bore Hole Dia.	Liner Depth	Overall Dia.	Color
HC6330014-BK	1"	1/4"	1-1/4"	Black

### Two Piece Plastic, 3/4" To 3" Bore Hole

- Cap has pivot hinge hole for wire
- Cap and liner sold together



Item #	Color	Bore Hole Dia.	Hole Liner Depth	Overall Dia.
HC6605014-BK	Black	3/4"	5/8"	1"
HC6610010-WH	White	1"	5/8"	1-1/4"
HC6610014-BK	Black	1"	5/8"	1-1/4"
HC6615014-BK	Black	1-1/4"	5/8"	1-1/2"
HC6615010-WH	White	1-1/4"	5/8"	1-1/2"
HC6620010-WH	White	1-1/2"	5/8"	1-3/4"
HC6620014-BK	Black	1-1/2"	5/8"	1-3/4"
HC6626010-WH	White	1-3/4"	1"	2"
HC6626014-BK	Black	1-3/4"	1"	2"
HC6630010-WH	White	2"	5/8"	2-1/4"
HC6630014-BK	Black	2"	5/8"	2-1/4"
HC6630021-GR	Gray	2"	5/8"	2-1/4"
HC6630029-AL	Almond	2"	5/8"	2-1/4"
HC6630058-BR	Brown	2"	5/8"	2-1/4"
HC6637010-WH	White	2-3/8"	5/8"	2-5/8"
HC6637014-BK	Black	2-3/8"	5/8"	2-5/8"
HC6640010-WH	White	2-1/2"	5/8"	2-3/4"
HC6640014-BK	Black	2-1/2"	5/8"	2-3/4"
HC6640021-GR	Gray	2-1/2"	5/8"	2-3/4"
HC6640029-AL	Almond	2-1/2"	5/8"	2-3/4"
HC6640058-BR	Brown	2-1/2"	5/8"	2-3/4"
HC6650010-WH	White	3"	5/8"	3-1/4"
HC6650014-BK	Black	3"	5/8"	3-1/4"
HC6650021-GR	Gray	3"	5/8"	3-1/4"
HC6660014-BK	Black	3-1/2"	5/8"	3-3/4"



### Two Piece Plastic, 1-3/4" Bore Hole

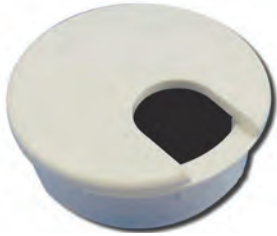
- 2" Overall diameter
- Overlapping trim edge with smooth finish
- Liner depth is 3/4"
- Cap has built-in permanent wire hole



Color	Hole Liner Item #	Hole Liner & Cap Item #
White	HC6320010-WH	HC6325010-WH
Black	HC6320014-BK	HC6325014-BK

A  
B  
C  
D  
E  
F  
G  
H  
I  
J  
K  
L  
M  
N  
O  
P  
Q  
R  
S  
T  
U  
V  
W  
X  
Y

**A PLASTIC GROMMETS**



**Two Piece Plastic, 2" to 2-1/2" Bore Hole**

- Cap has permanent wire hole cutout
- Two colors with smooth finish
- Liner depth: 5/8"
- Cap and liner included



Color	Bore Hole Dia.: 2" Overall Dia.: 2-1/2"	Bore Hole Dia.: 2-3/8" Overall Dia.: 2-7/8"	Bore Hole Dia.: 2-1/2" Overall Dia.: 3"
White	HC6730010-WH	-	HC6740010-WH
Black	HC6730014-BK	HC6737014-BK	HC6740014-BK



**Three Piece Plastic, 50mm Bore Hole**

- Multi-opening wire grommets
- Fine pebble texture finish
- Sold as three piece kit



Item #	Bore Hole Dia.	Liner Depth	Overall Dia.	Color
HC6200-010	50mm	25mm	62mm	White
HC6200-014	50mm	25mm	62mm	Black
HC6200-021	50mm	25mm	62mm	Gray
HC6200-058	50mm	25mm	62mm	Brown



**Three Piece Plastic, 60mm Bore Hole**

- Multi-opening wire grommets
- Fine pebble texture finish
- Sold as three piece kit



Item #	Bore Hole Dia.	Liner Depth	Overall Dia.	Color
HC6237-010	60mm	25mm	72mm	White
HC6237-014	60mm	25mm	72mm	Black
HC6237-021	60mm	25mm	72mm	Gray
HC6237-029	60mm	25mm	72mm	Almond
HC6237-058	60mm	25mm	72mm	Brown
HC6237-075	60mm	25mm	72mm	Gold Plated
HC6237-079	60mm	25mm	72mm	Chrome Plated



**Three Piece Plastic, 70mm Bore Hole**

- Multi-opening wire grommets
- Fine pebble texture finish
- Sold as three piece kit



Item #	Bore Hole Dia.	Liner Depth	Overall Dia.	Color
HC6243BK	70mm	25mm	82mm	Black
HC6243AL	70mm	25mm	82mm	Almond
HC6243GR	70mm	25mm	82mm	Gray



## PLASTIC GROMMETS



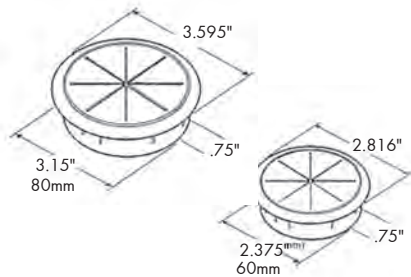
### One Piece Plastic 2-3/8" & 3-5/32" Bore Hole



- Flexigrom® wire grommets control wire feeds to work surfaces
- Patented flexible top allows for multiple wires from various directions
- One piece construction eliminates lost inserts

Packing: As shown below.

Sold In: Full box quantities only.



Finish	Bore Hole Diameter: 2-3/8" Overall Diameter: 2-13/16" Liner Depth: 3/4" Box Qty: 100 Item #	Bore Hole Diameter: 3-5/32" Overall Diameter: 3-19/32" Liner Depth: 3/4" Box Qty: 100 Item #
Black	CPF-2670	CPF-2870
White	CPF-2671	-



### Three Piece Plastic, 1-7/8", 2-3/8" & 3-1/8" Bore Hole



- This style grommet has three pieces; grommet cap, rotary cap and hole liner
- Rotating liner enables grommet cap wire opening to be adjusted to three positions; closed, half open and fully opened

NOTE: \*Sold in box quantities of 100

Black Item #	White Item #	Brown Item #	Gray Item #	Almond Item#	Bore Hole Diameter	Hole Liner Depth	Overall Diameter
CPF-2500	CPF-2501	CPF-2502	CPF-2503	CPF-2504	1-7/8"	1"	2-1/2"
CPF-2600	CPF-2601	CPF-2602	CPF-2603	CPF-2604	2-3/8"	1"	2-7/8"
CPF-2800	CPF-2801	-	-	CPF-2804*	3-1/8"	1"	3-5/8"



### Two Piece Plastic, 1" to 3" Bore Hole



- Removable cap
- Made of plastic
- Cap and liner sold together

Black Item #	White Item #	Almond Item #	Description	Bore Hole	Liner Depth
BA1041BK	BA1041WH	-	Plastic Round Wire Grommet	1" Dia.	5/8" Deep
BA1037BK	BA1037WH	-	Plastic Round Wire Grommet	1-1/2" Dia.	5/8" Deep
BA1039BK	BA1039WH	-	Plastic Round Wire Grommet	1-3/4" Dia.	5/8" Deep
BA1035BK	BA1035WH	-	Plastic Round Wire Grommet	2" Dia.	5/8" Deep
BA1033BK	BA1033WH	-	Plastic Round Wire Grommet	2-1/2" Dia.	5/8" Deep
BA1043BK	BA1043WH	BA1043AL	Plastic Round Wire Grommet	3" Dia.	5/8" Deep

**A PLASTIC GROMMETS**



**Two Piece Plastic, 3/4" To 4" Bore Hole**

- Cap has permanent cut out for wires
  - 5/8" depth (Bore hole diameter of 4" has 3/4" depth)
  - Available in eight sizes from 3/4" bore hole depth dia. to 4" bore hole dia.
- Packing: Cap and liner sold together.



Black

Light Grey

Putty

White

Polished Brass

Polished Chrome

Color	Inside Dia.: 9/16" Bore Hole Dia.: 3/4" O.A. Dia.: 1"	Inside Dia.: 13/16" Bore Hole Dia.: 1" O.A. Dia.: 1-5/16"	Inside Dia.: 1-5/16" Bore Hole Dia.: 1-1/2" O.A. Dia.: 1-3/4"	Inside Dia.: 1-9/16" Bore Hole Dia.: 1-3/4" O.A. Dia.: 2"
Black	DGAG-3BK	DGOG-3BK	DGBG-3BK	DGSG-3BK
Light Gray	-	-	DGBG-3LG	DGSG-3LG
Putty	DGAG393-PY	DGOG3-93	DGBG3-93	DGSG-3PY
White	DGAG-3WH	DGOG-3WH	DGBG-3WH	DGSG-3WH
Pol. Brass Plated	-	-	-	DGSG-5BR
Pol. Chrome Plated	-	-	DGBG-5CH	DGSG-5CH

Color	Inside Dia.: 1-7/8" Bore Hole Dia.: 2" O.A. Dia.: 2-3/8"	Inside Dia.: 2-9/32" Bore Hole Dia.: 2-1/2" O.A. Dia.: 3"	Inside Dia.: 2-13/16" Bore Hole Dia.: 3" O.A. Dia.: 3-1/2"	Inside Dia.: 3-7/8" Bore Hole Dia.: 4" O.A. Dia.: 4-1/2"
Black	DGTG-3BK	DGEDP-3BK	DGXG-3BK	DGZG-3BK
Light Gray	DGTG-3LG	DGEDP-3LG	DGXG-3LG	DGZG-3LG
Putty	DGTG3-93	DGEDP3-93	DGXG3-93	DGZG3-93
White	DGTG-3WH	DGEDP-3WH	DGXG-3WH	DGZG-3WH
Pol. Brass Plated	DGTG-5BR	-	DGXG5-3	-
Pol. Chrome Plated	DGTG-5CH	DGEDP-5CH	DGXG-5CH	-

**PLASTIC & METAL GROMMETS**



**Dually Grommet, 2-1/2" Bore**



- Finished look on both sides
- No gluing required
- Works with depths from 3/4" - 2-1/2"
- Trim marks every 1/4"
- Two Piece Plastic
- Sold by the each

Item #	Color
FCDUALLY2.5-AL	Almond
FCDUALLY2.5-BL	Black
FCDUALLY2.5-HR	Hardrock Maple
FCDUALLY2.5-WH	White



**Two Piece Metal  
2-23/64" Bore Hole**



- 2 piece metal grommet (liner & cap) with locking top and wire brush cable passage

Item #	Bore Hole Dia.	Overall Dia.	Finish
CPF-04-60-22-NS	2-23/64"	2-11/16"	Dull Chrome



**Round Wire Grommets, 1-3/4" Bore Hole  
Two Piece Solid Brass**



- Solid brass, hand machined grommet caps and liners
- Sits 1/16" above the desktop
- Cap has permanent cut out for wires
- Grommet liner and grommet cap sold separately
- Three finishes available

Packing: Caps and liners sold separately. Full box quantities of liners & caps are 5.

Item #	Bore Hole	Depth	Overall Dia.	Finish
<b>Hole Liners</b>				
DGMM-3ABR	1-3/4"	1-3/4"	1-7/8"	Bright Brass
DGMM-3ACH	1-3/4"	1-3/4"	1-7/8"	Bright Chrome
DGMM3A-10B	1-3/4"	1-3/4"	1-7/8"	English Antique
<b>Grommet caps</b>				
DGMM-3BR	-	-	2"	Bright Brass
DGMM-3CH	-	-	2"	Bright Chrome
DGMM3-10B	-	-	2"	English Antique

**A OVAL GROMMETS**



**Oval Wire Grommets, Two Piece Plastic**



- Overall dimensions are 6-1/2" long x 3" wide fitting into an oval bore slot of 6" x 2-1/2"

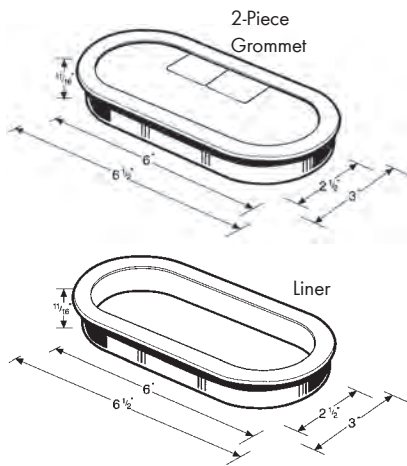
- Textured cap has an "invisible" 3-1/2" x 1" hinged wire access slot

Packing: Cap and liner are sold together. Full box quantity of 5.

Sold In: Full box quantity only.

Item #	Color	Box Qty
DGLO-3BK	Black	5
DGLO-3LG	Light Gray	5
DGLO-3PY	Putty	5
DGLO-3WH	White	5

B  
C  
D  
E  
F  
G  
H  
I  
J  
K  
L  
M  
N  
O  
P  
Q  
R  
S  
T  
U  
V  
W  
X  
Y

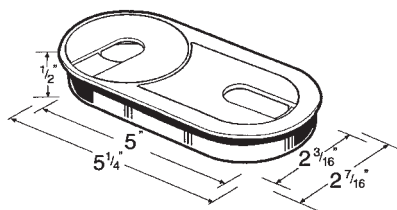


**Oval Wire Grommets Two Piece Plastic**



- Fine pebble texture
- Cap has two independent pivot hinges for wires

Color	Liner & Cap Item #	Liner Only Item #	Bore Hole	Liner Depth	Overall Size
White	HC6399010-WH	HC6398010-WH	6"L x 2-1/2"W	11/16"	6-1/2" L x 3"W
Black	HC6399014-BK	HC6398014-BK	6"L x 2-1/2"W	11/16"	6-1/2" L x 3"W
Gray	HC6399021-GR	HC6398021-GR	6"L x 2-1/2"W	11/16"	6-1/2" L x 3"W
Almond	HC6399029-AL	HC6398029-AL	6"L x 2-1/2"W	11/16"	6-1/2" L x 3"W
Brown	HC6399058-BR	HC6398058-BR	6"L x 2-1/2"W	11/16"	6-1/2" L x 3"W



**Oval Wire Grommets, Three Piece Plastic**



- Grommets include: grommet hole liner, round cap and oval cap
- Both caps have fixed hole cut out for wires
- Fine pebble texture
- Two caps and liner sold together

Color	Item #	Bore Hole	Liner Depth	Overall Size
White	HC6385010-WH	5"L x 2-3/16"W	1/2"	5-1/4" L x 2-7/16"W
Black	HC6385014-BK	5"L x 2-3/16"W	1/2"	5-1/4" L x 2-7/16"W
Almond	HC6385029-AL	5"L x 2-3/16"W	1/2"	5-1/4" L x 2-7/16"W
Brown	HC6385058-BR	5"L x 2-3/16"W	1/2"	5-1/4" L x 2-7/16"W

## TRASH GROMMETS



### Trash Grommets, 3" To 12" Bore Hole One Piece Stainless Steel



- High quality stainless steel material and finish

Item #	Bore Hole	Liner Depth	Overall Diameter	Finish
HC6123279-SS	3"	2"	3-3/4"	Polished
HC6124279-CH	4"	2"	4-3/4"	Polished
HC6143100-SS	6"	1"	6-3/4"	Brushed
HC6143179-SS	6"	1"	6-3/4"	Polished
HC6143279-SS	6"	2"	6-3/4"	Polished
HC6143479-SS	6"	4"	6-3/4"	Polished
HC6143679-SS	6"	6"	6-3/4"	Polished
HC6148179-SS	8"	1"	8-3/4"	Polished
HC6148279-SS	8"	2"	8-3/4"	Polished
HC6150179-SS	10"	1"	10-3/4"	Polished
HC6150279-SS	10"	2"	10-3/4"	Polished
HC6152179-SS	12"	1"	12-3/4"	Polished
HC6152279-SS	12"	2"	12-3/4"	Polished
HC6152679-SS	12"	6"	12-3/4"	Polished



### Trash Grommets, 6" & 8" Bore Hole One Piece Plastic & Stainless Steel

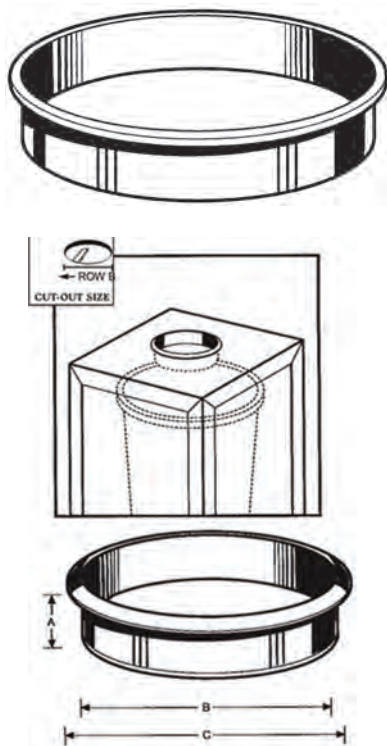


- Plastic and polished stainless steel trash grommets
- Polished stainless steel liners meet local codes for restaurant kitchens and public installations
- Simple installation, just rout or drill a 6" or 8" hole and insert liner

Item #	Bore Hole	Liner Depth	Overall Diameter	Finish
<b>Plastic</b>				
DGTM-1BK	6"	1"	6-3/4"	Black
DGTM-1LG	6"	1"	6-3/4"	Light Gray
DGTM-1PY	6"	1"	6-3/4"	Putty
DGTM1-95	6"	1"	6-3/4"	White
<b>Stainless Steel</b>				
DGTM4-SSS	4"	1"	4 7/8"	Satin
DGTM-1PSS	6"	1"	6-3/4"	Polished
DGTM1B-PSS	6"	2"	6-3/4"	Polished
DGTM-1APSS	6"	6"	6-3/4"	Polished
DGTM-2PSS	8"	1"	8-5/8"	Polished
DGTM-2BPSS	8"	2"	8-5/8"	Polished

**A TRASH & VENTILATION GROMMETS**

B  
C  
D  
E  
F  
G  
H  
I  
J  
K  
L  
M  
N  
O  
P  
Q  
R  
S  
T  
U  
V  
W  
X  
Y



**Trash Grommets, 4-1/8" & 6" Bore Hole  
One Piece Plastic Grommets**



• Available in six colors

Item #	Liner Depth (A)	Bore Hole (B)	Overall Dia. (C)	Color
HC6122010-WH	7/8"	4-1/8"	4-3/8"	White
HC6122014-BK	7/8"	4-1/8"	4-3/8"	Black
HC6122021-GR	7/8"	4-1/8"	4-3/8"	Gray
HC6122029-AL	7/8"	4-1/8"	4-3/8"	Almond
HC6122075-GLD	7/8"	4-1/8"	4-3/8"	Gold
HC6144WH	1"	6"	6-3/4"	White
HC6144BK	1"	6"	6-3/4"	Black
HC6144021-GR	1"	6"	6-3/4"	Gray
HC6144029-AL	1"	6"	6-3/4"	Almond
HC6144058-BR	1"	6"	6-3/4"	Brown



**Ventilation Grommets,  
4-1/4" L x 3-1/4" W Bore Hole  
Two Piece Plastic**



• One liner and one cap, cap is designed to lock on the liner

Item #	Liner Depth	Overall Size	Color
HC6437010-WH	5/8"	4-1/2" L x 3-1/2" W	White
HC6437-014	5/8"	4-1/2" L x 3-1/2" W	Black
HC6437021-GR	5/8"	4-1/2" L x 3-1/2" W	Gray



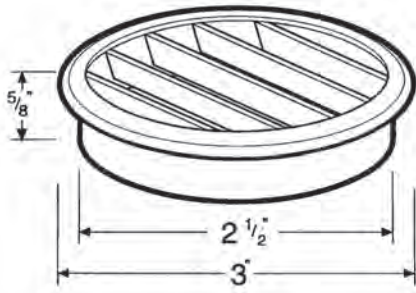
**Ventilation Grommets, 2-1/2" Bore Hole  
One Piece Round Plastic**



• Round plastic rings that can be used for air vents in computer cabinetry, stereo/TV cabinetry, etc.

Item #	Color	Bore Hole	Liner Depth	Overall Diameter
DGAVG-3BK	Black	2-1/2"	2-5/16"	3"
DGAVG-3PY	Putty	2-1/2"	2-5/16"	3"
DGAVG-3WH	White	2-1/2"	2-5/16"	3"

**VENTILATION & SPECIALTY GROMMETS**

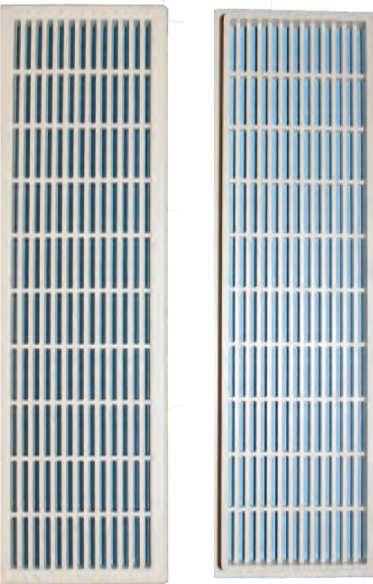


**Ventilation Grommets, 2-1/2" Bore Hole, One Piece Round Plastic**



- Available in four colors; black, gray, almond and brown

Item #	Bore Hole	Liner Depth	Overall Diameter	Color
HC6435014-BK	2-1/2"	5/8"	3"	Black
HC6435021-GR	2-1/2"	5/8"	3"	Gray
HC6435029-AL	2-1/2"	5/8"	3"	Almond
HC6435058-BR	2-1/2"	5/8"	3"	Brown



**Ventilation Grommets One Piece Rectangular Plastic**



- Plastic entertainment center vent grill
- Provides air circulation where needed
- Hole size 2-3/8" x 8-5/8"; no lip
- Easy to install; simply glue in

Item #	Color	Box Qty
BA4503AL	Almond	50
BA4503BK	Black	50
BA4503DB	Brown	50
BA1970-GR	Gray	50
BA4503WH	White	50



**One Piece Plastic Paper Slot Grommets**



- Made of plastic
- Slight outward bow, to keep grommet in place after installation
- Sold by the each

Item #	Overall Dimensions	Finish
CPF-21500	1.41"W x 12.80"L x 1.10"H	Black
CPF-21750	1.41"W x 16.96"L x 1.10"H	Black

A  
B  
C  
D  
E  
F  
G  
H  
I  
J  
K  
L  
M  
N  
O  
P  
Q  
R  
S  
T  
U  
V  
W  
X  
Y

**A SPECIALTY GROMMETS**



**One Piece Plastic Paper Slot Grommets**



- Two sizes available: 12" and 17-3/8" L, 1" liner depth
- Full relief groove all around the overlapping trim edge

Item #	Bore Hole	Overall Size	Color
HC6307-12BK	12"L x 1-5/8"W	12-3/4"L x 2-7/16"W	Black



Hair Dryer Grommet

**Round Vanity Grommets  
One Piece Grommet**



- Hair dryer grommet is made of a special rubber and plastic composition that "gives" when the hair dryer is inserted, and the top rim is fashionably textured for a well groomed appearance, resists heat
- Curling iron holders are made of a thick steel tube that absorbs heat well
- Scissor grommet has a steel bottom added with a rubber bottom pad inside so the scissors points won't get dull or bent



Curling Iron & Scissor Grommet

Item #	Type	Bore Hole	Overall Dia.	Inside Dia.	Liner Depth	Finish
DGHD-1BK	Hair Dryer	3"	4"	2-7/8"	1-1/2"	Black
DGCT-1BK	Small Curling Iron	1-1/2"	1-7/8"	1-3/8"	4-11/16"	Black
DGCT-1CH	Small Curling Iron	1-1/2"	1-7/8"	1-3/8"	4-11/16"	Polished Chrome
DGCT-2BK	Large Curling Iron	2-1/2"	3-1/32"	2-3/8"	4-25/32"	Black
DGCT-2CH	Large Curling Iron	2-1/2"	3-1/32"	2-3/8"	4-25/32"	Polished Chrome
DGCT3-90	Scissors	2-1/2"	3-1/32"	2-3/8"	4-27/32"	Black



DGJB-1BK

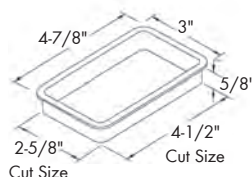
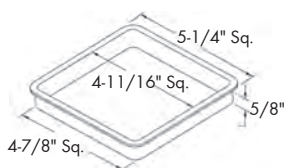
DGJB-2BK

**Junction Box Grommets, One Piece Plastic**



- Junction box grommets are perfect for finishing off wall coverings or furniture with junction boxes
- Grommets are available for either 2 outlet (rectangular) or four outlet (square) junction boxes
- Both grommets have 3/8" wide lip
- Double box dimensions are 5-1/4" square outside size, fitting into a 4-13/16" square hole
- Single box dimensions are 5" x 3" outside size fitting into a 4-1/2" x 2-5/8" hole

Finish	Single Box Item #	Double Box Item #
Black	DGJB-1BK	DGJB-2BK
White	DGJB-1WH	DGJB-2WH





**WIRE MANAGEMENT**



Single Trim Ring

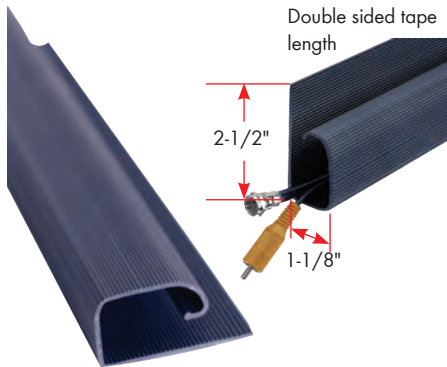
Double Trim Ring

**Trimnable Junction Box Grommets,  
One Piece Plastic Electric Trim Ring**



- Designed to clean up electrical cutouts in the back of cabinets
  - Single box inside opening dimensions are 3-1/2" wide and 5.3125" tall, double box inside dimensions are 5-5/16" wide and tall
  - 1-1/4" liner depth can be trimmed in perforated 1/4" increments
- Packing & Sold in: Full box quantities as shown below. Sold by the box.

Single Trim Ring Item #	Double Trim Ring Item #	Finish	UM	Box Qty
FCETRSG-L-BL	FCETRDBL-BL	Black	EA	1
FCETRSG-L-BL10	FCETRDBL-BL10	Black	PK	10
FCETRSG-L-HM	-	Hardrock Maple	EA	1
FCETRSG-L-WH	FCETRDBL-WH	White	EA	1
FCETRSG-L-WH10	FCETRDBL-WH10	White	PK	10

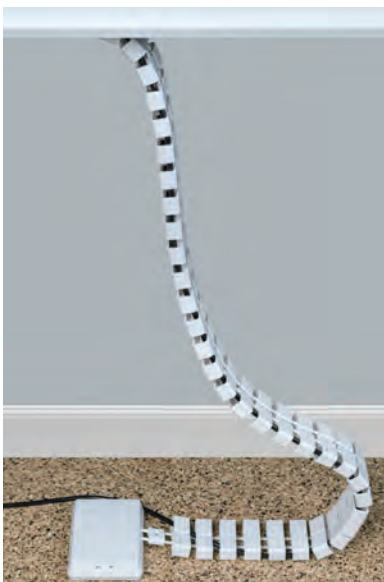


**Snap Open/Close  
Square Wire Channels**



- Plastic channel tracks snap closed, have double sided self-adhesive tape on rear and have serrated edges to hide fingerprints
- Channel clips: 2"L, wire channel tracks: 98"L
- Material: Black ABS plastic

Item #
CPF-31500T



**Cable Manager Kit  
Link 360**



- Kit Includes: (45) Link Elements, (1) Quad Connector, (1) Dumbbell Connector, (1) Foot Assembly, & (2) Magnetic Clips
- 51" Length

Item #	Description	Finish
CPF-75361M	Link 360 Cable Manager Kit, 51" Length	Black
CPF-75362M	Link 360 Cable Manager Kit, 51" Length	White
CPF-75364M	Link 360 Cable Manager Kit, 51" Length	Translucent

A  
B  
C  
D  
E  
F  
G  
H  
I  
J  
K  
L  
M  
N  
O  
P  
Q  
R  
S  
T  
U  
V  
W  
X  
Y

**A PULL-OUT KEYBOARD TRAYS**

B  
C  
D  
E  
F  
G  
H  
I  
J  
K  
L  
M  
N  
O  
P  
Q  
R  
S  
T  
U  
V  
W  
X  
Y



**Standard Pull-Out Keyboard Trays  
With Built-In Wrist Pad & Mouse Pad**



- Brackets mount in outboard position under work surface for widths 23" or greater or in the inboard position for widths less than 20 -3/4"
- Precision ball bearing slides with lockout provide 75 lbs. load rating
- Height adjustment 2-1/4" to 3-5/8" from bottom of work surface
- Integrated 23" long Lycra gel cushion wrist rest wraps around front edges of drawer

	Item #	Description	Tray Size	Finish
A	KVKD-100	Standard	19-1/2"L x 10"W	Black
B	KVKD-110	With 8" Dia. Mouse Pad	19-1/2"L x 10"W	Black



**Pull-Out Keyboard Trays Extra Wide**



- Brackets mount in outboard position under work surface for applications 29" W or greater or in the inboard position for 26 -3/4"W or less
- Precision ball bearing slides with lockout provide 75 lbs. load rating
- Integrated 28-3/4"L Lycra gel cushion wrist rest wraps around front edges of drawer

Item #	Tray Size	Finish
KVKD-1000	28-3/4"L x 10" W	Black



**Pencil Drawer Pull-Outs  
Top Mount Tray**



- Epoxy slides are used to provide full extension access to drawer contents
- Trays require 1/2" space on each side of slide to be properly mounted
- Each tray has a 75 lb. load capacity



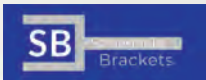
	Item #	Tray Size	Slide Length	Finish
A	FT1550	12-5/8"W x 16"L	18"	Black
B	FT1560	22"W x 20"L	20"	Black

**SECTION I - TABLE OF CONTENTS**

**Section I Contents:**

Countertop &  
 Shelf Supports/Brackets .....2-7  
 Table Hardware ..... 8  
 Table Legs ..... 9-11  
 Furniture & Cabinet Levelers ..... 12-17  
 Glides..... 18-20  
 Bumpers .....21-25  
 Casters .....26-32

A  
 B  
 C  
 D  
 E  
 F  
 G  
 H  
**I**  
 J  
 K  
 L  
 M  
 N  
 O  
 P  
 Q  
 R  
 S  
 T  
 U  
 V  
 W  
 X  
 Y



A  
B  
C  
D  
E  
F  
G  
H  
I  
J  
K  
L  
M  
N  
O  
P  
Q  
R  
S  
T  
U  
V  
W  
X  
Y

**SHELF & COUNTERTOP SUPPORTS**



**EH Series Surface Mount Brackets**

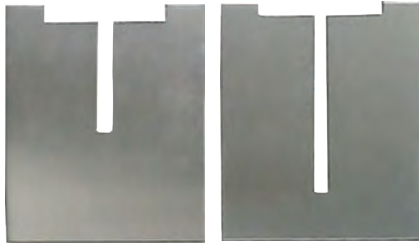
**Rakks®**

- Rakks Counter Support Brackets keep work areas open and accessible
- They provide heavy duty support for counters up to 30" deep while improving the handicapped accessibility and ergonomics of the work area
- Rakks counter support brackets are manufactured from easy-to-recycle structural aluminum
- Sold by the each

	Item #	Size	Counter Depth	Weight Capacity	Finish
Surface Mount 12" x 9"	RKKEH-1209	12" x 9"	13"	650 lb per bracket	Mill
	RKKEH-1209-A	12" x 9"	13"	650 lb per bracket	Almond
	RKKEH-1209-B	12" x 9"	13"	650 lb per bracket	Black
	RKKEH-1209-W	12" x 9"	13"	650 lb per bracket	Off-White/Primed
Surface Mount 12" x 12"	RKKEH-1212	12" x 12"	18"	650 lb per bracket	Mill
	RKKEH-1212-A	12" x 12"	18"	650 lb per bracket	Almond
	RKKEH-1212-B	12" x 12"	18"	650 lb per bracket	Black
	RKKEH-1212-W	12" x 12"	18"	650 lb per bracket	Off-White/Primed
Surface Mount 18" x 18"	RKKEH-1818	18" x 18"	24"	450 lb per bracket	Mill
	RKKEH-1818-A	18" x 18"	24"	450 lb per bracket	Clear Ano
	RKKEH-1818-B	18" x 18"	24"	450 lb per bracket	Black
	RKKEH-1818-W	18" x 18"	24"	450 lb per bracket	Off-White/Primed
Surface Mount 18" x 24"	RKKEH-1824	18" x 24"	30"	450 lb per bracket	Mill
	RKKEH-1824-A	18" x 24"	30"	450 lb per bracket	Clear Ano
	RKKEH-1824-B	18" x 24"	30"	450 lb per bracket	Black
	RKKEH-1824-W	18" x 24"	30"	450 lb per bracket	Off-White/Primed
Flush Mount 12" x 9"	RKKEH-1209FM	12" x 9"	13"	430 lb per bracket	Mill
	RKKEH-1209FM-B	12" x 9"	13"	430 lb per bracket	Black
	RKKEH-1209FM-W	12" x 9"	13"	430 lb per bracket	Off-White/Primed
Flush Mount 12" x 12"	RKKEH-1212FM	12" x 12"	18"	430 lb per bracket	Mill
	RKKEH-1212FM-A	12" x 12"	18"	430 lb per bracket	Clear Ano
	RKKEH-1212FM-B	12" x 12"	18"	430 lb per bracket	Black
	RKKEH-1212FM-W	12" x 12"	18"	430 lb per bracket	Off-White/Primed
Flush Mount 18" x 18"	RKKEH-1818FM	18" x 18"	24"	300 lb per bracket	Mill
	RKKEH-1818FM-A	18" x 18"	24"	300 lb per bracket	Clear Ano
	RKKEH-1818FM-B	18" x 18"	24"	300 lb per bracket	Black
	RKKEH-1818FM-W	18" x 18"	24"	300 lb per bracket	Off-White/Primed
Flush Mount 18" x 24"	RKKEH-1824FM	18" x 24"	30"	300 lb per bracket	Mill
	RKKEH-1824FM-A	18" x 24"	30"	300 lb per bracket	Clear Ano
	RKKEH-1824FM-B	18" x 24"	30"	300 lb per bracket	Black
	RKKEH-1824FM-W	18" x 24"	30"	300 lb per bracket	Off-White/Primed

**SHELF & COUNTERTOP SUPPORTS**

A  
B  
C  
D  
E  
F  
G  
H  
I  
J  
K  
L  
M  
N  
O  
P  
Q  
R  
S  
T  
U  
V  
W  
X  
Y

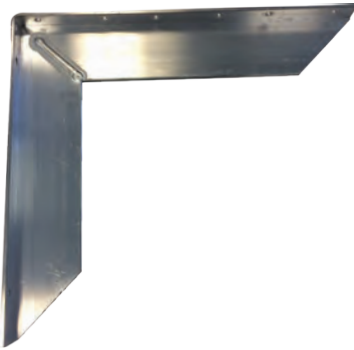


**Inside Wall Counter Support Face Plate**

**Rakks®**

- Designed to work with Rakks EH-1818, EH-1824, EH-1212 and EH-1209 Flush-Mount Counter Supports
- Adhesive backed plate fits over the supporting arm of the bracket and eliminates the need to patch and fill the drywall
- Sold by the each

Item #	Size	Finish	Use With
RKKEH-FP22	2" x 2" x 1/4"	Aluminum	EH-1818, EH-1212 and EH-1209 Flush Mount Supports
RKKEH-FP23	2" x 3" x 3/16"	Aluminum	EH-1824 Flush Mount Supports



**EH B Series Surface Mount Bench Support Bracket**

**Rakks®**

- Used for seating applications incorporating 5" wooden planking
- The supporting arm is pre-drilled with 12 holes to provide secure installation
- Manufactured from 2" x 3" "T" to provide maximum stiffness
- Sold by the each

Item #	Weight Capacity	Size	Finish
RKKEH-1416B	450 lb per bracket	14-3/4" x 15-3/4"	Mill



**FB Sill Support Bracket**

**Rakks®**

- Manufactured from structural aluminum angle
- These brackets can be used anywhere low profile support or bracing is required
- Sold by the each

Item #	Weight Capacity	Size	Finish
RKKFB-0406	150 lb per bracket	4" D x 6" H	Mill



**EH Series Vanity Brackets**

**Rakks®**

- ADA compliant aluminum vanity brackets simplify and reduce the cost of installing sinks and provide a stable and sturdy mounting surface for custom-built enclosures
- Vanity Brackets are supplied with wooden strips on the front faces to provide for the convenient mounting, or removal, of laminated or solid surface panels
- Sold by the each

Item #	Weight Capacity	Size	Finish
RKKEH-1818-LV	450 lb. per Bracket	18" x 21-1/2"	Mill

**A WORKSTATION BRACKETS**



**Shelf & Countertop Supports  
Rigid, Heavy Duty**



- Load rating 1,000 lbs. per pair
  - 1/8" steel
  - Multiple 1/4" mounting hole locations (mounting hardware not included)
  - For use in workbenches, workstations, garage storage, ADA stations, computer stations, etc.
  - Reversible design makes brackets versatile and easy to use
  - Packaged in equal quantities of "rights" and "lefts"
  - The six larger sizes have a 3" x 3" - 45° notch that allows for wall cleat and wire run clearance
- Packing and sold in: As shown below. Available in any quantity of pairs.

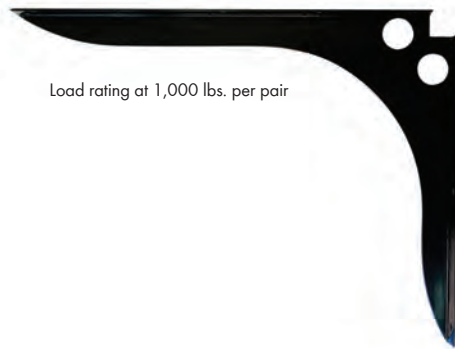
Almond Item #	Black Item #	Gray Item #	Primed Item #	Stainless Steel Item #	White Item #	Box Qty
<b>5" Shelf Length x 8" Wall Length</b>						
PROWSB05X08-AL	PROWSB05X08-BL	PROWSB05X08-GR	-	-	PROWSB05X08-WH	5 Pair
<b>8" Shelf Length x 12" Wall Length</b>						
PROWSB08X12-AL	PROWSB08X12-BL	PROWSB08X12-GR	-	-	PROWSB08X12-WH	5 Pair
<b>12" Shelf Length x 18" Wall Length</b>						
-	PROWSB12X18-BL	PROWSB12X18-GR	-	-	PROWSB12X18-WH	3 Pair
<b>15" Shelf Length x 21" Wall Length</b>						
PROWSB15X21-AL	PROWSB15X21-BL	PROWSB15X21-GR	PROWSB15X21-PR	PROWSB15X21-SS	PROWSB15X21-WH	3 Pair
<b>18" Shelf Length x 18" Wall Length</b>						
PROWSB18X18-AL	PROWSB18X18-BL	PROWSB18X18-GR	PROWSB18X18-PR	-	PROWSB18X18-WH	3 Pair
<b>18" Shelf Length x 24" Wall Length</b>						
PROWSB18X24-AL	PROWSB18X24-BL	PROWSB18X24-GR	PROWSB18X24-PR	-	PROWSB18X24-WH	3 Pair
<b>24" Shelf Length x 24" Wall Length</b>						
PROWSB24X24-AL	PROWSB24X24-BL	PROWSB24X24-GR	-	-	PROWSB24X24-WH	3 Pair
<b>24" Shelf Length x 29" Wall Length</b>						
PROWSB24X29-AL	PROWSB24X29-BL	PROWSB24X29-GR	-	-	PROWSB24X29-WH	2 Pair

## SHELF & COUNTERTOP SUPPORTS

### Speed Brace, Heavy Duty Brackets



- 1-1/2" x 1-1/2" notching system for quick alignment/installation (3/4" x 1-1/2" on FCSB5X8 Series)
- Cable management holes
- Countersunk screw holes
- Fasteners not included (FCSB-ANCHOR, pack of 10)
- Sold by the each



Black Item #	Primed Item #	Stainless Steel Item #	White Item #
<b>5" Shelf Length x 8" Wall Length</b>			
FCSB5X8-BL	-	-	FCSB5X8-WH
<b>8" Shelf Length x 12" Wall Length</b>			
FCSB8X12-BL	FCSB8X12-PRIME	FCSB8X12-SS	FCSB8X12-WH
<b>15" Shelf Length x 18" Wall Length</b>			
FCSB15X18-BL	FCSB15X18-PR	FCSB15X18-SS	FCSB15X18-WH
<b>21" Shelf Length x 24" Wall Length</b>			
FCSB21X24-BL	FCSB21X24-PR	FCSB21X24-SS	FCSB21X24-WH
<b>21" Shelf Length x 28" Wall Length</b>			
FCSB21X27-BL	FCSB21X28-PR	FCSB21X27-SS	FCSB21X27-WH

### Concealed Brackets Without Upper Extension



- 1/4" steel
- Includes mounting hardware 3/8" x 4" carriage bolts, hex nuts and flat washers
- Mounts directly to wall studs
- Load limit over 1,000 lbs. per pair
- All welds on reverse for easy, clean install
- Sold by the each



Item #	Depth	Overall Height	Color
<b>9" Support Arm Length</b>			
PROWCB-09AL	9"	12"	Almond
PROWCB-09BL	9"	12"	Black
PROWCB-09GR	9"	12"	Gray
PROWCB-09WH	9"	12"	White
<b>12" Support Arm Length</b>			
PROWCB-12AL	12"	12"	Almond
PROWCB-12BL	12"	12"	Black
PROWCB-12GR	12"	12"	Gray
PROWCB-12WH	12"	12"	White
<b>18" Support Arm Length</b>			
PROWCB-18AL	18"	18"	Almond
PROWCB-18BL	18"	18"	Black
PROWCB-18GR	18"	18"	Gray
PROWCB-18WH	18"	18"	White
<b>24" Support Arm Length</b>			
PROWCB-24AL	24"	18"	Almond
PROWCB-24BL	24"	18"	Black
PROWCB-24GR	24"	18"	Gray
PROWCB-24WH	24"	18"	White

A  
B  
C  
D  
E  
F  
G  
H  
I  
J  
K  
L  
M  
N  
O  
P  
Q  
R  
S  
T  
U  
V  
W  
X  
Y

**A SHELF & COUNTERTOP SUPPORTS**



**Concealed Brackets With Upper Extension**



- 1/4" steel
- Includes mounting hardware 3/8" x 4" carriage bolts, hex nuts and flat washers
- Mounts directly to wall studs
- Load limit over 1,000 lbs. per pair
- All welds on reverse for easy, clean install
- Sold by the each in multiples of 2

Item #	Depth	Overall Height	Color	Box Qty
<b>9" Support Arm Length</b>				
PROWCBE-09BL	9"	20"	Black	2 Each
PROWCBE-09WH	9"	20"	White	2 Each
<b>12" Support Arm Length</b>				
PROWCBE-12BL	12"	20"	Black	2 Each
PROWCBE-12WH	12"	20"	White	2 Each
<b>18" Support Arm Length</b>				
PROWCBE-18BL	18"	26"	Black	2 Each
PROWCBE-18WH	18"	26"	White	2 Each
<b>24" Support Arm Length</b>				
PROWCBE-24BL	24"	26"	Black	2 Each
PROWCBE-24WH	24"	26"	White	2 Each



**Stealth Brace**

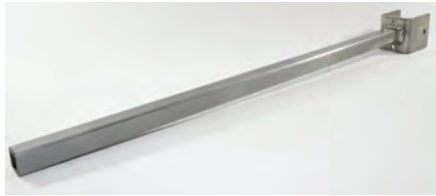


- Support countertop and bar overhangs with no visible kicker or corbels
- Each brace will support 200 pounds of weight
- 1/4" steel is powder-coated
- Countersunk screwholes
- Simply route a 3-1/2" slot in the substrate and mount
- Sold by the each

Size	Weight Capacity	Black Item #	Prime Item #	White Item #
<b>Standard Duty</b>				
3-1/2" x 12" x 3/16"	300 lb per pair	FCSTEALTH	-	FCSTEALTH-WHITE
3-1/2" x 16" x 3/16"	300 lb per pair	FCSBSTEALTH-16BL	FCSBSTEALTH-16PR	-
3-1/2" x 24" x 3/16"	300 lb per pair	FCSBSTEALTH-24BL	FCSBSTEALTH-24PR	-
3-1/2" x 30" x 3/16"	300 lb per pair	FCSTEALTH-30BL	FCSTEALTH-30PRIMED	-
<b>Heavy Duty</b>				
3-1/2" x 12" x 1/4"	500 lb per pair	FCSBSTEALTHHD-12BL	FCSBSTEALTHHD-12PR	-
3-1/2" x 16" x 3/8"	500 lb per pair	FCSBSTEALTHHD-16BL	-	-
3-1/2" x 24" x 3/8"	500 lb per pair	FCSBSTEALTHHD-24BL	-	-
3-1/2" x 30" x 3/8"	500 lb per pair	FCSBSTEALTHHD-30BL	-	-



## FLOATING BRACKETS



### Floating Vanity Brackets

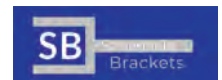
- Innovative floating shelf brackets post sheetrock installation eliminates the need to patch and repaint sheet rock
- "U" shaped design allows for easy install after sheetrock with only a 2" x 2" hole
- Front holes at top and bottom allow for easy install and leveling
- 3/4" tube steel bars welded to "U" bracket to allow plenty of support for heavy items
- 3/4" tube allows for extra weight of floating vanity to be easily supported even with heavy granite or concrete counter tops
- Support bar can be cut to length as needed
- Accessory kit available, includes 1 Wall Cover, 1 End Cap, and 1 Mid Clip
- Patent Pending
- Sold by the each

For dimensional line drawing, see our website.

Item #	Description	Weight Capacity
SHBFS-20	20" Floating Vanity Bracket	200 lb
SHBFS-20KIT-BL	Vanity Access Kit, Black	-
SHBFS-20KIT-WH	Vanity Access Kit, White	-



With included faceplate



### Concealed Floating Countertop Brackets

- Perfect for any floating countertops
- From laminate to granite and everything in between, these brackets are easy to install and stay out of your way
- Wire management hole
- Faceplate included for a finished look
- Patent Pending
- Sold by the each

For dimensional line drawing, see our website.

Item #	Description	Weight Capacity
SHBCT-18BL	18" Bracket, Black	350 lb
SHBCT-18WH	18" Bracket, White	350 lb
SHBCT-22BL	22" Bracket, Black	350 lb
SHBCT-22WH	22" Bracket, White	350 lb



### Speed Brace, T Brace

- The SpeedBrace T-Brace is the perfect way to create the illusion of free-floating shelves
- Strong enough to support over 300 lbs per pair (sold by each)
- Ideal for new construction but can be used in a remodeling application when an access hole is cut into the drywall for attachment
- Reversible - mounting holes on both sides
- Sold by the each

Item #	Finish	Leg Length	Overall Length	Thickness
FCSB11-TBRACE-BL	Black	11"	12-1/2"	3/4"
FCSB16-TBRACE-BL	Black	16"	17-1/2"	3/4"

A  
B  
C  
D  
E  
F  
G  
H  
I  
J  
K  
L  
M  
N  
O  
P  
Q  
R  
S  
T  
U  
V  
W  
X  
Y

**A TABLE HARDWARE**



**Aluminum Folding Bracket**

- Drop leaf support is constructed from aluminum
- Automatically locks when flap is in open position
- Has release lever for unlocking
- For panel thickness 19/32"- 1-3/8"
- Max. Width for 1 drop leaf support is 23-5/8"
- Max. Width for 2 drop leaf supports is 51-3/16"
- Aluminum Material with an Anodized Aluminum Finish
- Installation screws not included



Item #	Closed Dimensions	Extended Length	Weight Capacity	Sold In
SG38820-25	3-1/32"W x 1-31/32"H x 4-31/64"L	7-3/32"L	77 lbs	Per Each
SG38830-25	3-1/32"W x 1-31/32"H x 6-5/8"L	10-7/8"L	121 lbs	Per Each
SG38845-25	3-1/32"W x 1-31/32"H x 10-1/8"L	16-31/32"L	132 lbs	Per Each
SG38860-25	3-1/32"W x 1-31/32"H x 14-1/2"L	23-1/16"L	176 lbs	Per Each



**Drop-Leaf Hinges, Heavy Duty**

- Table flaps are held securely under the table top
- The leaves open 180° and automatically lock into position
- Converts small rectangular tables to larger circular tables or to add length to oblong tops
- Installation screws are included



Item #	Steel Gauge	Finish	Sold In
SYH899P	Heavy DutySteel, .098 Gauge	Brass Plated	8/Set

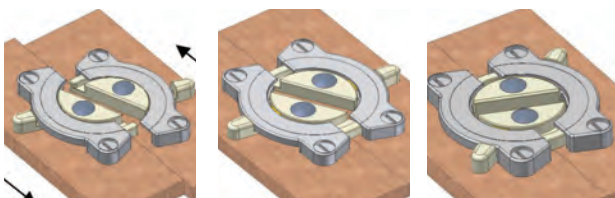


**Table Apron Leg Brackets**

- Heavy gauge steel brackets to hold together the four corners of the table apron and provide a means of fastening the leg to the bracket
- A hanger screw is driven into the leg and locked into place through the bracket with a wing nut
- Screws not included



Item #	Size	Sold In
SYS3620U	1-1/2"W x 3"L	Per Each
SYS3622U	2"W x 4-3/4"L	Per Each



Attach one half of connector to each tabletop

Twist...

And lock into place!

**Table Clamps**

- Peter Meier's Conny Connector
- Innovative way to firmly link table tops together
- Clamp is made up of two pieces (see images to the left)
- Screws not included



Item #	Dimension	Material	Finish	Sold In
PT812-02-NY	3-1/2" Dia.	Steel	Zinc	Per Each

## FOLDING TABLE LEGS



### Game Table Design Table Leg, Black



- Used to create picnic tables, display tables, card tables, ping-pong tables, and casino tables
- Easy to fold: includes screws and plastic floor protectors
- Table top minimum of 36" square for the legs to fold correctly underneath the table
- Leg is made of 1" diameter steel tubing, 29" leg height
- Set includes: 4 legs complete with mounting hardware including screws and protective caps

Item #	Color
EBFLS4	Black



### Banquet Table Design Table Legs



- Multi-purpose steel legs for making all sorts of folding tables
- Locking device made from heavy gauge steel
- Legs are 1" tubular steel
- Tightly welded joints and protective plastic tips
- Available in two finishes: Black and Chrome
- Includes: 2 legs per set, complete with nuts, bolts and protective tips

Item #	Finish	Height	Base Width
EBCAPF-BLK	Black	29"	24"
EBCPF-CHR	Chrome	29"	24"



### Folding Leg Brackets, Surface Mount



- For lightweight table legs, with a maximum table leg width of 1-1/2"
- Steel unit has positive locking in open and closed positions with thumb pressure release
- Sold without screws

Item #	Size	Finish
SYS149L	2-1/2 L" x 2-1/2"L	Dark Copper

**A STEEL TABLE LEGS**

B  
C  
D  
E  
F  
G  
H  
I  
J  
K  
L  
M  
N  
O  
P  
Q  
R  
S  
T  
U  
V  
W  
X  
Y



**Hamburg Series  
Steel Table Legs, 2-3/8" Diameter**



- Load bearing capacity of 660 lbs. per leg
- 2-3/8" diameter, 27-3/4" L (table height), 28-7/8" L full extension
- All legs come with separate brackets to attach the leg to the table and all necessary screws
- Legs have 1-1/8" adjustment built in feet
- Single packs include: (1) leg, (1) bracket and screws
- Four leg packs include: (4) legs, (4) brackets and screws

Finish	Single Pack Item #	Four Pack Item #
Flat Black	PT615-7S-19	-
Brushed Steel	PT615-7S-ST	PT615-70-ST



**Prisma Series  
Steel Table Legs, 2-3/8" Diameter 4 Leg Packs**



- Load bearing capacity of 660 lbs. per leg
- 2-3/8" diameter, 27-3/4" L (table height) and 34-1/4" L (counter height)
- Include separate brackets to attach the leg to the table and all necessary screws
- Legs have built in 1-1/8" adjustable feet
- Packs include: (4) legs, (4) brackets and screws

Finish	Table Height Item #	Counter Height Item #
Brushed Steel	PT330-70-ST	PT330-87-ST
Chrome	PT330-70-CH	PT330-87-CH
Glossy Black	PT330-70-BK	-
Matte Black	PT330-70-MT	PT330-87-MT



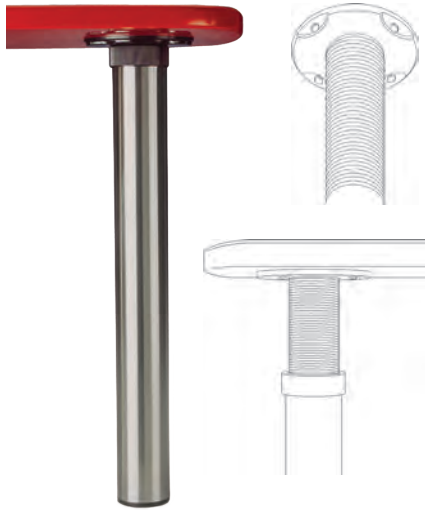
**Heidelberg Series  
Steel Table Legs, 3" Diameter**



- Load bearing capacity of 660 lbs. per leg
- 3" diameter, 27-3/4" L (table height), 34-1/4" L (counter height)
- The leg features a non-visible "adapter" used to attach the leg to a table
- Legs have built in 1-1/8" adjustable feet
- Packs include: (1) leg, (1) bracket, (1) adapter and screws

Finish	Table Height Item #	Counter Height Item #
Brushed Steel	PT620-7S-ST	PT620-8S-ST

**STEEL TABLE LEGS & TABLE BASES**



**Isola Series  
Steel Table Leg, 3" Diameter**



- Load bearing capacity of 660 lbs. per leg
- 3" diameter, 27-3/4" length (table height)
- Mounting plate is welded to leg extension and has a 6" diameter and four screws holes
- Legs can be extended by 9" by rotating the top of the leg
- Packs include: (1) leg and screws

Finish	Item #
Brushed Chrome	PT624-7S-ST



**Table Bases, T-Style,  
Cross-Style & Round**

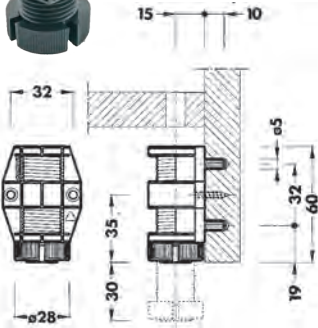


- All tables bases include: floor protecting glides, a spider, a column, and a base
- Spiders and columns are made of steel and bases are made of cast iron
- All table bases require assembly
- Available in two heights: standard height is 29" and bar height is 40-3/4"

	Item #	Base Spread	Column Diameter	Mount Plate (Spider) Size	Height	Finish
<b>T-Style</b>						
A	PT2001-28-MT	5" x 22"	3"	7-1/2"W x 7-1/2"L	29"	Black Matte
<b>Cross-Style</b>						
B	PT2022-28-MT	22" x 22"	3"	7-1/2"W x 7-1/2"L	29"	Black Matte
	PT2002-40-MT	22" x 30"	3"	7-1/2"W x 7-1/2"L	40-3/4"	Black Matte
	PT2030-28-MT	30" x 30"	3"	7-1/2"W x 7-1/2"L	29"	Black Matte
	PT2036-28-MT	36" x 36"	4"	8"W x 8"L	29"	Black Matte
<b>Round</b>						
C	PT3022-29-MT	22" Diameter	3"	7-1/2"W x 7-1/2"L	29"	Black Matte
	PT3030-29-MT	30" Diameter	4"	8"W x 8"L	29"	Black Matte

A  
B  
C  
D  
E  
F  
G  
H  
I  
J  
K  
L  
M  
N  
O  
P  
Q  
R  
S  
T  
U  
V  
W  
X  
Y

**A FURNITURE LEVELERS**

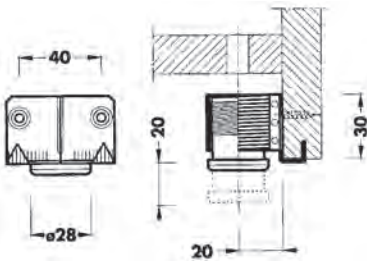
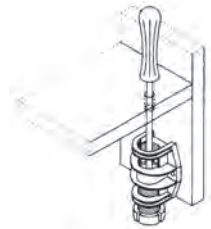


**Economy ABS Plastic Leveler, One Piece**

- Designed to attach to panel
- Two 5mm dowels spaced 32mm apart for line boring and 2 holes for wood screws
- Can be adjusted with slotted screwdriver
- Leveler's base extends 1"



Item #	Weight Capacity	Base Diameter	Height	Sold In
PT302	170 lbs.	1-1/16"	1-7/64"	Per Each

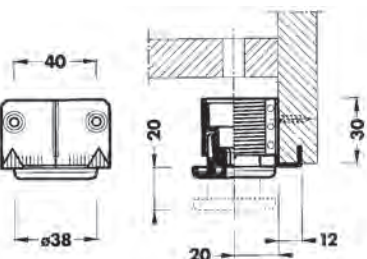


**Regular Duty Metal Leveler, One Piece**

- Designed to attach to panel
- Metal leveler with threaded ABS insert
- Slotted screwdriver adjustment
- Leveler's base extends 1"



Item #	Weight Capacity	Base Diameter	Height	Sold In
PT300	220 lbs.	1-1/8"	1-9/32"	Per Each



**Heavy Duty Metal Leveler, One Piece**

- Designed to attach to panel
- Metal leveler with metal insert and large floating ABS foot
- Adjusted with hex key (key included)
- Leveler's base extends 1"

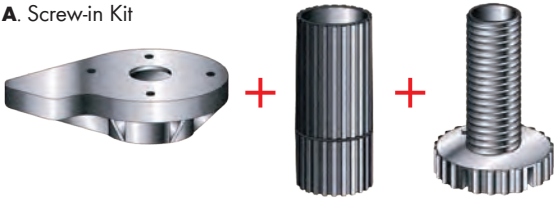


Item #	Weight Capacity	Base Diameter	Height	Sold In
PT300HD	330 lbs.	1-1/2"	1-5/16"	Per Each

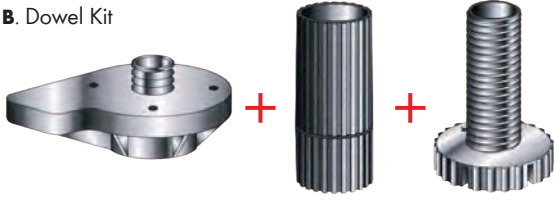


**PLASTIC CABINET LEVELERS**

**A. Screw-in Kit**



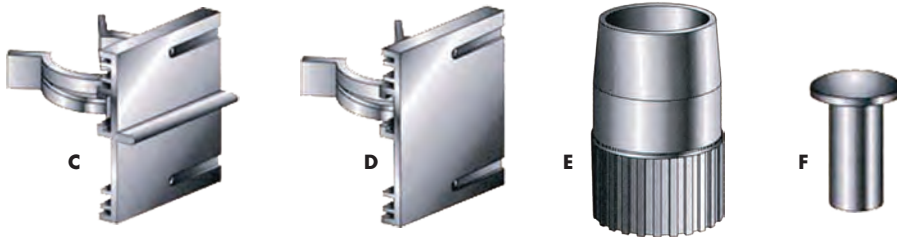
**B. Dowel Kit**



**Plastic Cabinet Leveler Kits  
Heavy Duty Leveler,  
Leveler Tube & Socket Kits**



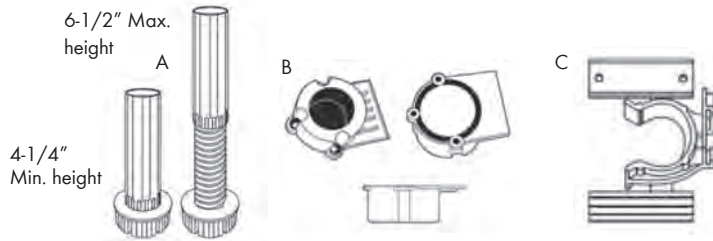
- Hardware Concepts' Heavy Duty cabinet leveler kits
- Leveler/Socket Kits are available in two versions: screw in (A) and 25/32" diameter dowel sockets (B) and all levelers are adjustable from 3-7/8" to 5-3/4" with a 2-1/4" diameter foot
- Optional items:
  - Toe Kick Clips are available in two versions: screw in (C) and spline (D)
  - Leveler Extension (E) is available in one version: 1-1/2" extension
  - 25/32" Diameter Cover Caps (F) for Dowel Sockets
- Maximum height of leveler with leveler extension is 7-1/4"
- 1,500 lbs. maximum weight capacity for a set of 4 levelers
- Made of High Impact Polypropelene



Item #	Finish	Product Dimensions	Description	Sold In	
<b>Adjustable Plastic Leveler/Socket Kit</b>					
A	HC5600000-BK	Black	Adj. Height - 3-7/8" to 5-3/4" w/ 2-1/4" Diameter Foot	Kit Includes: Adj. Leveler, Leveler Tube & Screw In Socket, with a weight capacity of 375 lbs. per leveler	100/Box
B	HC5620000-BK	Black	Adj. Height - 3-7/8" to 5-3/4" w/ 2-1/4" Diameter Foot	Kit Includes: Adj. Leveler, Leveler Tube & Dowel Socket w/ 25/32" Dia. Dowel, with a weight capacity of 375 lbs. per leveler	100/Box
<b>Optional - Toe Kick Clip</b>					
C	HC5696-000	-	2-1/8"H x 1-1/2"W	Toe Kick Clips Includes: White Clip & Black Screw In Plate	Per Each
D	HC5695-000	-	1-3/8"H x 1-3/8"W	Toe Kick Clip Includes: White Clip & Black Spline Plate	Per Each
<b>Optional - Leveler Extension</b>					
E	HC5675000-BK	Black	1-1/2" Extension Height	Designed for Leveler HC5600 Series Kits to add 1-1/2" Height for a Total Height of 7-1/4"	Per Each
<b>Optional - Dowel Socket Cover Caps</b>					
F	HC5720014-BK	Black	25/32" Diameter	Designed for HC5620 Series Kits to Cover the Socket's Dowel	Per Each

A  
B  
C  
D  
E  
F  
G  
H  
I  
J  
K  
L  
M  
N  
O  
P  
Q  
R  
S  
T  
U  
V  
W  
X  
Y

**A PLASTIC CABINET LEVELERS**



**Leveler, Socket & Toe Kick Clip**

- Made of high impact polypropylene
- Black finish



Item #	Product Dimensions	Description	Sold In
<b>Adjustable Plastic Leveler</b>			
A	HC5858335-BK	Adj. Height - 4-1/4" to 6-1/2" w/ 1-5/8" Dia. Foot	Weight capacity of 420 lbs. per leveler Per Each
<b>Plastic Socket</b>			
B	HC5800000-BK	Screw-In Socket	Per Each
<b>Toe Kick Clip</b>			
C	HC5897000	Plastic Clip w/Screw-On & Spline	Per Each
D	HC5899000	Metal Clip - with Plastic Plate w/Double Sided Adhesive	Per Each



**Plastic Levelers, Sockets & Toe Kick Clips**

- Adjustable plastic levelers allow for precision adjustment of cabinetry
- All leveler components are made of virgin ABS
- Levelers have a weight bearing capacity of 330 lbs. per leveler



Type	Item #	Description	Sold In
<b>Cabinet Levelers</b>			
A	1" Adjustable	PT415-10-P2	3-3/4"-4-3/4", Black Plastic Per Each
	1" Adjustable	PT415-11-P2	4-1/8"-5-1/8", Black Plastic Per Each
	1" Adjustable	PT415-13-P2	4-7/8"-5-7/8", Black Plastic Per Each
B	2-1/2" Adjustable	PT418-10-P2	3-3/4"-6-1/4", Black Plastic (NOTE: Does not work with Socket PT840-00-RIB) Per Each
<b>Cabinet Leveler Sockets</b>			
C	10mm Dowel & Screw Mount	PT840-10-P2	With "V" Plate, 10mm Dowel and Screw Mount, Black Plastic Per Each
	15mm Dowel & Screw Mount	PT840-15-P2	With "V" Plate, 15mm Dowel and Screw Mount, Black Plastic Per Each
D	Screw Mount with "V" Plate	PT840-H5-P2	With "V" Plate, Screw Mount, Black Plastic Per Each
E	Hollow Bolt & Screw Mount	PT840-00-R1	With M10 Hollow Bolt, Screw Mount, Black Plastic (NOTE: Does not work with Leveler PT418-10-P2B) Per Each
<b>Toe Kick Clips</b>			
F	Black	PT202ANC2	4-Finger Clip/Groove Mount Per Each
G	Black	PT202V1T2	4-Finger Clip/Screw Mount Per Each
H	Black	PT228G	2-Finger Clip/Groove Mount Per each
I	Black	PT228S	2-Finger Clip/Screw Mount Per Each



**PLASTIC CABINET LEVELERS**



A



B

**Cabinet Leg Levelers**

**Titus**

- Legs are made of plastic w/black finish
- Drilling Distance: 24mm

	Item #	Description	Height Adjustment	Sold In
A	TI02570-BK	Adj. leg leveler	2.36" - 3.54"	Per Each
	TI02666LA	Adj. leg leveler	3.64" - 5.91"	Per Each
	TI02653-BK	Adj. leg leveler	4.92" - 7.28"	Per Each
B	TI02571-BK	1.97"H leg extension	-	Per Each



A



B



C

**Cabinet Leg Leveler Sockets**

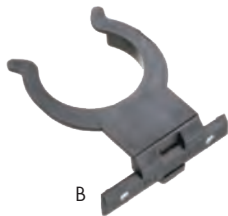
**Titus**

- Sockets are made of plastic w/black finish

	Item #	Description	Sold In
A	TI02558-BK	Knock-in socket w/10mm dowel	Per Each
B	TI02559-BK	Screw-on socket	Per Each
C	TI02560-BK	Socket w/15mm rivet	Per Each



A



B

**Cabinet Leg Leveler Plinths**

**Titus**

- Plinths are made of plastic w/black finish

	Item #	Description	Sold In
A	TI02523-BK	Knock-in plinth clip	Per Each
B	TI02578-BK	Screw-on plinth clip	Per Each



**Cabinet Leg Leveler Set**

**Titus**

- Set is made of plastic w/black finish
- Leg levelers height adjustment: 3.64" - 5.91"

Item #	Description	Sold In
TI02609-BK	(4) Legs, (4) Screw-on sockets & (2) Screw-on plinths	Per Set



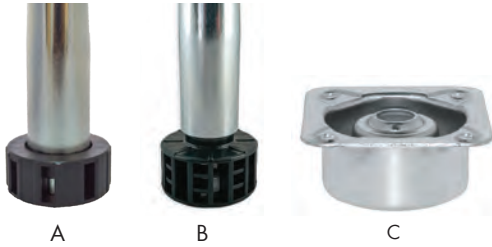
**One Piece Leveler/Socket, Black Finish**

**PMM**  
PETER MEIER INC

- Leveler & socket combo, (socket molded to leveler)
- All plastic levelers are made of virgin ABS which provides extra strength and stability
- Leveler is 3-3/4" tall fully compacted and extends to a maximum of 5-3/4"
- Plastic levelers and sockets weight capacity per unit: 330 lbs.
- Includes hollow bolt to mount socket/leveler to cabinet

Item #	Height Range	Weight Capacity	Mounting	Sold In
PT446P2S3K	Height Adj. 3-3/4" - 5-3/4"	330 lbs.	Hollow-Bolt	Per Each

**A METAL CABINET LEVELERS**



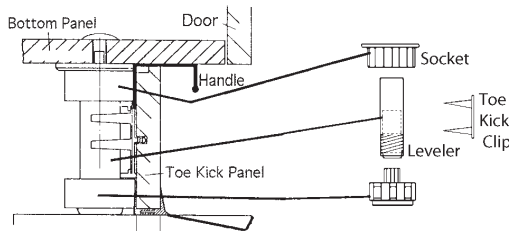
**Metal Cabinet Levelers, Sockets & Toe Kick Clips**



- Adjustable metal levelers allow for precision adjustment of cabinetry
- Metal levelers have ABS plastic feet
- Levelers feature tapered tops, which ensures a tight connection with the socket
- Levelers have a weight bearing capacity of 330 lbs. per leveler



	Item #	Description	Mounting	Finish	Sold In
<b>Metal Leveler</b>					
A	PT3451002	Height Adj. 4" - 6"	-	Metal	Per Each
B	PT3501002	Height Adj. 3-1/2" - 4-3/4"	-	Metal	Per Each
<b>Metal Sockets</b>					
C	PT835E100	2-3/8" Square Screw-In Socket	Screw-In	Metal	Per Each
<b>Toe Kick Clips</b>					
D	PT202ANC2	4-Finger Clip	Groove Mount	Black	Per Each
E	PT202V1T2	4-Finger Clip	Screw Mount	Black	Per Each
F	PT228G	2-Finger Clip	Groove Mount	Black	Per Each
G	PT228S	2-Finger Clip	Screw Mount	Black	Per Each



**T 4-PIECE METAL CABINET LEVELER SET**



**4-Piece Metal Cabinet Leveler Set**



- Levelers have a weight bearing capacity of 330 lbs. per leveler
- Metal levelers have ABS plastic feet
- **Set Includes:**
  - (4) Metal Leg Levelers (PT3451002), height adj. 4"-6"
  - (4) Metal Sockets (PT835E100), screw mount
  - (2) Toe Kick Clips (PT202V1T2), screw mount w/4-fingers

Item #	Description	Sold In
PT400-028B	4-Piece Leg Leveler Set	Per Set

**METAL CABINET LEGS**



**Foldable Plastic Cabinet Levelers  
One Piece Leveler/Socket/Toe Kick Clip**



- Screw-on version is a leveler/socket/toe kick clip that is constructed to form a single piece
- Adjustable plastic leveler/socket/toe kick clip combos allow for precision adjustment of cabinetry
- All plastic levelers are made of virgin ABS which provides extra strength and stability
- Leveler is 3-1/2" tall, fully compacted and extends to a maximum of 6-1/2"
- One simple motion takes the leveler to the desired position
- Includes: leveler/socket and both push-down and adhesive toe kick clips

Item #	Product Dimension	Mounting	Finish	Sold In
PT478-10-P2	Height Adj. 3-1/2" to 6-1/2"	Screw-On	Black	Per Each



**Leveling Wedge, Breakaway**



- Black nylon wedge with 8 section snap-off units sized from 1/16" to 5/16" thick
- Complete/full wedges are 13/16" wide x 4" long

Item #	Sold In
SYP460	Per Each



**Como Series  
Steel Cabinet Legs, 2" Diameter**



- Weight capacity per leg is 660 lbs.
- 1-1/8" adjustable black plastic foot
- All cabinet legs are individually packed to include cabinet leg, 3" square mounting plate (screws are not included)

Alumina Item #	Brushed Steel Item #	Chrome Item #	Matte Black Item #	Height	Sold In
PT552-10-AO	PT552-10-ST	PT552-10-C1	PT552-10-19	4"	Per Each



**Sedona Series  
Aluminum Cabinet Leg**

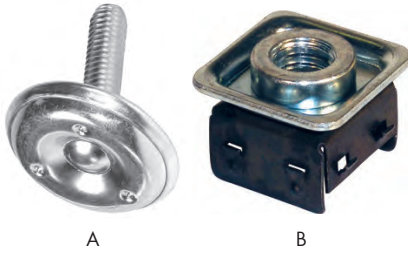


- Made of 100% aluminum
- Bottom of legs feature an attached thick felt pad
- 1" adjustable foot
- Includes Mounting Plate

Item #	Finish	Height	Foot Size	Mounting Plate Size	Sold In
PT08-6-M	Matte Aluminum	6"	1-3/4 Diameter	3-1/8"W x 3-1/8"L	Per Each

A  
B  
C  
D  
E  
F  
G  
H  
I  
J  
K  
L  
M  
N  
O  
P  
Q  
R  
S  
T  
U  
V  
W  
X  
Y

**A GLIDES**



**Leveling Swivel Glides, Adjustable**



- Glides have either metal or plastic floor base and swivel from stem
- Optional 1" square metal insert bushing is designed for the 1" square table legs; sold separately

Item #	Base Material	Base Color/Shape	Base Dia.	Stem Thread (Dia. x Gauge)	Stem Length
<b>Swivel Glides</b>					
A P7433-24	Plastic	Nickel/Round	1-1/8"	1/4"-20	1"
P9601-24	Metal	Zinc/Round	1-3/4"	3/8"-16	1-1/4"
<b>Optional, Metal Insert Bushing for 1" Square Legs</b>					
B P3066-4-4S-55	Metal	Black/Metal/Square	-	1/4"-20	-
P3060-6-4S-55	Metal	Black/Metal/Square	-	3/8"-16	-

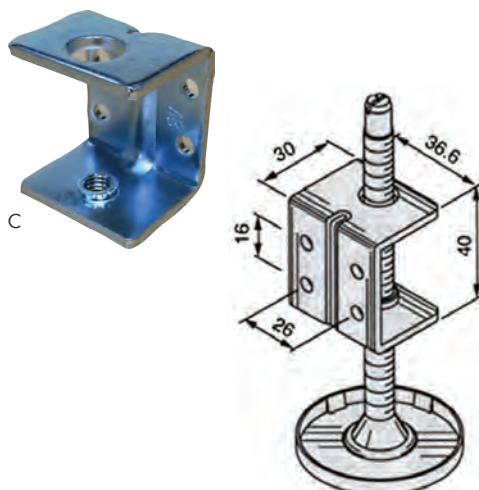


**Leveling Swivel Glide Systems**



- Slotted tops, swivel base and clear protective plastic cap bottom
- Glides, t-nuts and u-brackets have corresponding metric M8 thread pattern
- Glides are available in 2", 2-3/4" and 4" total lengths
- T-nuts are .43"H

Item #	Glide Length
<b>Glides - 33mm Dia. (Approx. 1-5/16")</b>	
A WDT4062	2"
WDT4064	2-3/4"
WDT4066	4"
<b>T-Nuts</b>	
B WDT4090	-
<b>U-Bracket - 1-1/2" x 1-1/2" x 1-1/2"</b>	
C WDT4060	-



**GLIDES**



**Windsor Adjustable Glide**

- Adjustable glide, light duty (not non-skid)
- Sold per each

Item #	Base Dia.	Thread	Stem Length	Base Material	Base Color
P76327-2510	1-1/8"	1/4"-20	1"	Plastic	White
P76321-2510	1-1/8"	1/4"-20	1"	Plastic	Black
P76327-3110	1-1/8"	5/16"-18	1"	Plastic	White



**Monaco Adjustable Glide**

- Adjustable glide, light duty (not non-skid)
- Sold per each

Item #	Base Dia.	Thread	Stem Length	Base Material	Base Color
P78327-3115	1-1/8"	5/16"-18	1-1/2"	Plastic	Nickel-Plated Steel Shell



**Samson Adjustable Glide**

- Non-skid adjustable glide, medium duty
- Sold per each

Item #	Base Dia.	Thread	Stem Length	Base Material	Base Color
P67490-2510	1-1/8"	1/4"-20	1"	Vinyl	Black
P67490-3110	1-1/8"	5/16"-18	1"	Vinyl	Black



**Silencer Adjustable Glide**

- Cushioned adjustable glide, medium duty
- Sold per each

Item #	Base Dia.	Thread	Stem Length	Base Material	Base Color
P75001-5741	1-1/4"	1/4"-20	1"	Steel	Steel
P75001-5541	15/16"	1/4"-20	1"	Steel	Steel



**Cushion Adjustable Glide**

- Cushioned adjustable glide, medium duty
- Sold per each

Item #	Base Dia.	Thread	Stem Length	Base Material	Base Color
DHADJC7814	7/8"	1/4"-20	1"	Steel	Steel



**Yukon Adjustable Glide**

- Non-skid adjustable glide, heavy duty
- Sold per each

Item #	Base Dia.	Thread	Stem Length	Base Material	Base Color
SU7532-5S	1-3/8"	5/16"-18	1-1/2"	Thermoplastic Rubber	Nickel-Plated Steel Shell



**Titan Adjustable Glide**

- Non-skid adjustable glide, heavy duty
- Sold per each

Item #	Base Dia.	Thread	Stem Length	Base Material	Base Color
P75202-6363	1-3/8"	5/16"-18	1-1/2"	Thermoplastic Rubber	Nickel-Plated Steel Shell



**A GLIDES**

B  
C  
D  
E  
F  
G  
H  
I  
J  
K  
L  
M  
N  
O  
P  
Q  
R  
S  
T  
U  
V  
W  
X  
Y

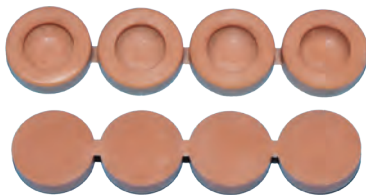


**Nail Glides**

- Base made of plastic
- Sold per thousand



Base Diameter	Nail Size	Plastic Base Color	1,000/Box Item #
5/8"	1/16"Thick x 3/4"L	White	PTG-58WH
3/4"	1/16"Thick x 3/4"L	Brown	PTG-BN
3/4"	1/16"Thick x 3/4"L	White	PTG-WH
7/8"	1/16"Thick x 3/4"L	White	PTG-78WH



**Plastic Glide Strips, Staple-On**

- Strip of 4 allows easy stapling of one button then a quick twist frees remaining buttons
- 5/8" outside diameter x 3/16" thick with interior diameter of 3/8" to apply staple
- Sold in full box quantities



Item #	Glide Color	Sold In
BA295T-TN	Tan	Per Each



**Drawer Bumpers  
Screw-On**

- Made of Plastic
- Sold without screws



	Size	Description	White Item #	Almond Item #
A	1/2"Thick x 1"L	With Reference Tab	BA1937-WH	BA1937-AL
B	1/2"Thick x 1-1/4"L	With Reference Tab	BA4602-WH	BA4602-AL
C	1/2"Thick x 1-1/4"L	No Reference Tab	BA1938-WH	BA1938-AL
D	3/4"Thick x 2"L	With Reference Tab	BA1939-WH	BA1939-AL



C



D

**BUMPERS**



**Bumpers**

- Easy “Peel-Off” & “Quick Stick”
- Vibration and Shock Dampening
- Crack-Resistant and Resilient
- Non-Staining and Non-Marring
- RoHS Compliant
- Sold by the sheet in full bag quantities

NOTE: Items with “SD” in item number denote “Sound Dampening”



A



B



C



D

	Item #	Color	Size	Bumpers per Sheet	Sheets per Bag
A. Hemispherical	WRBS02-BLK	Black	0.437" Dia x 0.2"H	50	5
	WRBS02-BRN	Brown	0.437" Dia x 0.2"H	50	5
	WRBS02-CLR	Clear	0.437" Dia x 0.2"H	50	5
	WRBS02-WHT	White	0.437" Dia x 0.2"H	50	5
	WRBS12-BLK	Black	0.375" Dia x 0.15"H	50	6
	WRBS12-CLR	Clear	0.375" Dia x 0.15"H	50	6
	WRBS12SD-CLR	Clear	0.375" Dia x 0.15"H	50	6
	WRBS12-WHT	White	0.375" Dia x 0.15"H	50	6
	WRBS27-CLR	Clear	0.335" Dia x 0.85"H	75	6
	WRBS07-BLK	Black	0.312" Dia x 0.085"H	75	6
	WRBS07-CLR	Clear	0.312" Dia x 0.085"H	75	6
	WRBS07-WHT	White	0.312" Dia x 0.085"H	75	6
B. Specialty	WRBS33-CLR	Clear	0.5" Dia x 0.14"H	50	4
	WRBS58-CLR	Clear	0.5" Dia x 0.2"H	50	4
C. Cylindrical	WRBS80-CLR	Clear	0.65" Dia x 0.4"H	32	4
	WRBS01-BRN	Brown	0.5" Dia x 0.14"H	50	4
	WRBS01-CLR	Clear	0.5" Dia x 0.14"H	50	4
	WRBS01SD-CLR	Clear	0.5" Dia x 0.14"H	50	4
	WRBS06-CLR	Clear	0.5" Dia x 0.25"H	50	4
	WRBS34-BLK	Black	0.4" Dia x 0.125"H	40	7
	WRBS34-CLR	Clear	0.4" Dia x 0.125"H	40	7
	WRBS34-WHT	White	0.4" Dia x 0.125"H	40	7
WRBS67-CLR	Clear	0.375" Dia x 0.19"H	50	5	
D. Square	WRBS32-CLR	Clear	0.5" Sq x 0.12"H	50	4

A  
B  
C  
D  
E  
F  
G  
H  
I  
J  
K  
L  
M  
N  
O  
P  
Q  
R  
S  
T  
U  
V  
W  
X  
Y

A  
B  
C  
D  
E  
F  
G  
H  
I  
J  
K  
L  
M  
N  
O  
P  
Q  
R  
S  
T  
U  
V  
W  
X  
Y

## POLYURETHANE BUMPERS

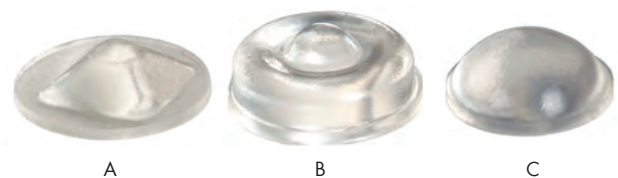


### Polyurethane Bumpers Adhesive Backed



- Made of durable polyurethane polymer
- High quality pressure sensitive adhesive backing

	Item #	Size	Shape	Color	Sold In	Box Qty
A	BS1	1/2" Dia. x 9/64" Thick	Cylindrical	Clear	200 Bumpers Per Sheet	5,000
B	BS1-WH	1/2" Dia. x 9/64" Thick	Cylindrical	White	200 Bumpers Per Sheet	5,000



### Sound Dampening Bumpers Adhesive Backed



- Made of durable polyurethane polymer
- High quality pressure sensitive adhesive backing

	Item #	Size	Shape	Color	Sold In	Box Qty
A	BS33-SD	1/2" Dia. x 5/32" Thick	Cylindrical	Clear	200 Bumpers Per Sheet	5,000
B	BS58-SD	1/2" Dia. x 7/32" Thick	Cylindrical	Clear	200 Bumpers Per Sheet	5,000
C	BS12-SD288	3/8" Dia. x 5/32" Thick	Hemispherical	Clear	288 Bumpers Per Sheet	7,200



### Polyurethane Premium Round Shaped, Adhesive Backed



- Premium self adhesive bumpers provide protection
- Close doors without an annoying thud
- High quality polyurethane stays soft, no drying or cracking over time

	Item #	Color	Size	Sold In
A	G31002	Clear	7/16" Dia. x 1/8" Thick	500/Box
B	G31004-43	Clear	7/16" Dia. x 1/16" Thick	500/Box
C	G63481-43	Clear Airsoft	15/32" Dia. x 3/16" Thick	500/Box



# BUMPERS



Hemisphere Shaped



Hexagon/Cone Shaped



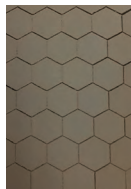
Hexagon/Hemisphere Shaped

## 3M "Bumpon" Bumpers



- 3M brand adhesive backing which bonds fast and permanently to most clean, dry and smooth surfaces
- Resilient material will not dry out, rot or become brittle over time
- Sold in per sheet or per box

Thickness	Size	Transparent Item #	Sold In
<b>Hemisphere Shaped</b>			
5/32"	3/8" Diameter	MH6506	5,000/Box
<b>Hexagon/Cone Shaped</b>			
1/8"	7/16" Diameter	MH6553	132/Sheet
<b>Hexagon/Hemisphere Shaped</b>			
5/32"	7/16" Diameter	MH6561	132/Sheet



## Urethane Foam Bumpers, Hex Shaped



- Hex-shaped soft urethane sponge pads with self adhesive backs
- Sold by the roll

Item #	Size	Color	Roll Qty
DF38T	3/8"Dia. x 1/8"Thick	Tan	5,000
DF38W	3/8"Dia. x 1/8" Thick	White	5,000

Visit us on our website: [wurthlac.com](http://wurthlac.com)

A  
B  
C  
D  
E  
F  
G  
H  
I  
J  
K  
L  
M  
N  
O  
P  
Q  
R  
S  
T  
U  
V  
W  
X  
Y

A  
B  
C  
D  
E  
F  
G  
H  
I  
J  
K  
L  
M  
N  
O  
P  
Q  
R  
S  
T  
U  
V  
W  
X  
Y

**BUMPERS/STOPS**



**Cork Door Bumpers**

- Made of cork
- Natural finish
- Sold by the roll



Item #	Dimensions	Sold In
DCCP5	3/8"Dia. x 3/32"Thick	5,000/Roll



**Felt Door Bumpers**

- Adhesive backing for easy surface mount
- Made of felt
- Sold by the roll



Item #	Dimensions	Color	Sold In
DCFP1WH	3/8"Dia. x 1/8"Thick	White	1,000/Roll
DCFP5WH	3/8"Dia. x 1/8"Thick	White	5,000/Roll



**Cabinet Door Protector Bumpers**

- Protects doors from being unintentionally marred from drawer pull-outs
- Bumpers have PSA backing which can be used by removing protective liner
- Bumpers can be applied with supplied PSA or screwed in, or both
- Sold by the pack



Item #	Description	Pack Qty
FCDWRBMPR	Drawer Bumper, White	10

**BUMPERS/STOPS**



**Inset Door Stops, Adjustable**



- Constructed of soft rubber
- Door stops are .575" in diameter and .3125" tall
- Off center screw hole allows door stop to be rotated to varied distances from door
- Sold by the pack

Item #	Color	Pack Qty
<b>Without Screws</b>		
FCEDS-BN	Dark Brown	10
FCEDS-CL	Clear	10
FCEDS-WH	White	10
<b>With Screws</b>		
FCEDS-BNWS	Dark Brown	10
FCEDS-CLWS	Clear	10
FCEDS-WHWS	White	10
<b>Bulk, Without Screws</b>		
FCEDS-BN100	Dark Brown	100
FCEDS-CL100	Clear	100
FCEDS-WH100	White	100

**Inset Door Stop, Plastic**



- Used primarily as a door stop for inset doors hung with European concealed hinges to ensure a "flat" cabinet face
- European hinges "over-close" without the cabinet side to rest against, the door goes beyond 90°
- By mounting this stop on the cabinet floor, the door's closing is stopped at 90 degree flat position
- Specifications: 7/16"W x 1/2"H
- Sold in full box quantities

Item #	Color	Box Qty
HGH950CL1000	Clear	1000

A  
B  
C  
D  
E  
F  
G  
H  
I  
J  
K  
L  
M  
N  
O  
P  
Q  
R  
S  
T  
U  
V  
W  
X  
Y

**A PLATE MOUNTED CASTERS**



**Roller Swivel Furniture Casters Without Brake  
Light Duty, 65 lbs. Weight Capacity**



- Plate finish is Zinc with a white plastic wheel
- Smooth and easy rolling
- Plate size: 1-5/8" x 1-1/4"
- Applications: Office furniture, light duty carts, juvenile furniture

Item #	Wheel Dia.	Tread Width	Overall Height
DHCR158POZ	1-5/8"	5/8"	1-7/8"



**Double Ball-Bearing Swivel Casters  
Without Brake Light Duty, 70 to 80 lbs.  
Weight Capacity**



- Used for wood base office furniture
- Plate Size: 1-1/8" x 2"
- Plate Fastening: 2" x 1-3/16" with (4) #8 holes
- Finish: Copper Oxide with a soft black rubber wheel
- Sold in full box quantity only

Item #	Wheel Dia.	Weight Capacity	Overall Height	Box
SCPPY1.12	1-5/8"	70 lbs.	2-5/16"	100

**Visit us on our website: [wurthlac.com](http://wurthlac.com)**

The screenshot shows the Wurth website interface. At the top, there are navigation links for 'Wurth Louis and Company', 'Large Machinery Quote', and 'Feedback'. On the right, there are links for 'Register', 'Apply', 'Sign in', and 'En'. The main header features the WÜRTH logo, a search bar with the placeholder 'Enter search criteria here', and a shopping cart icon showing '\$0.00'. Below the header, there are two main promotional banners. The left banner is for 'Würth Louis and Company Introduces: RGB TUNABLE FLEXTAPE®', featuring an image of a modern kitchen with colorful lighting. The right banner is for 'NOW HIRING!' with the Wurth logo and the text 'Apply at: wurthlac.com/careers'. Below these banners, there is another banner for 'SUPPLY CHAIN CHALLENGES? We have you COVERED.' with a 'LEARN MORE' button. The bottom of the screenshot shows a pagination bar with the number '3' highlighted.

**PLATE MOUNTED CASTERS**



Rigid without brake



Swivel with brake

**Swivel & Rigid Casters  
Medium Duty, 90 to 300 lbs. Weight Capacity**



- With side locking brake or without brake, rigid and swivel design
- Available in hard rubber, plastic and non-marking rubber wheel material types
- Finish is corrosion-resistant Zinc Plated

	Item #	Wheel Dia.	Tread Width	Wheel Material	Weight Capacity	Swivel Radius	Plate Size	Overall Height
Without Brake	DHCGD20PR	2"	15/16"	Plastic	125 lbs.	Rigid	1-1/2"W x 2-21/32"L	2-7/16"
	DHCGD20MRR	2"	15/16"	Non-Marking Gray	125 lbs.	Rigid	1-1/2"W x 2-21/32"L	2-7/16"
	DHCGD20HRR	2"	15/16"	Hard Rubber	125 lbs.	Rigid	1-1/2"W x 2-21/32"L	2-7/16"
	DHCGD20RS	2"	15/16"	Soft Rubber	90 lbs.	1-3/4"	1-7/8"W x 2-9/16"L	2-7/16"
	DHCGD20PS	2"	15/16"	Plastic	125 lbs.	1-3/4"	1-7/8"W x 2-9/16"L	2-7/16"
	DHCGD20MRS	2"	15/16"	Non-Marking Gray	125 lbs.	1-3/4"	1-7/8"W x 2-9/16"L	2-7/16"
	DHCGD20HRS	2"	15/16"	Hard Rubber	125 lbs.	1-3/4"	1-7/8"W x 2-9/16"L	2-7/16"
	DHCGD25HRR	2-1/2"	1-1/8"	Hard Rubber	200 lbs.	Rigid	2-1/4"W x 4-7/16"L	3-1/4"
	DHCGD25MRR	2-1/2"	1-1/8"	Non-Marking Gray	175 lbs.	Rigid	2-1/4"W x 4-7/16"L	3-1/4"
	DHCGD25PS	2-1/2"	1-1/8"	Plastic	175 lbs.	2-3/8"	2-3/4"W x 3-27/32"L	3-1/4"
	DHCGD25MRS	2-1/2"	1-1/8"	Non-Marking Gray	175 lbs.	2-3/8"	2-3/4"W x 3-27/32"L	3-1/4"
	DHCGD25HRS	2-1/2"	1-1/8"	Hard Rubber	200 lbs.	2-3/8"	2-3/4" x 3-27/32"L	3-1/4"
	DHCGD30PR	3"	1-1/4"	Plastic	220 lbs.	Rigid	2-1/2"W x 4-7/8"L	3-13/16"
	DHCGD30HRR	3"	1-1/4"	Hard Rubber	220 lbs.	Rigid	2-1/2"W x 4-7/8"L	3-13/16"
	DHCGD30MRR	3"	1-1/4"	Non-Marking Gray	225 lbs.	Rigid	2-1/2"W x 4-7/8"L	3-13/16"
	DHCGD30RS	3"	1-1/4"	Soft Rubber	125 lbs.	2-7/16"	3-1/8" W x 4-1/16"L	3-13/16"
	DHCGD30PS	3"	1-1/4"	Plastic	220 lbs.	2-7/16"	3-1/8" W x 4-1/16"L	3-13/16"
	DHCGD30HRS	3"	1-1/4"	Hard Rubber	220 lbs.	2-7/16"	3-1/8" W x 4-1/16"L	3-13/16"
	DHCGD30MRS	3"	1-1/4"	Non-Marking Gray	225 lbs.	2-7/16"	3-1/8" W x 4-1/16"L	3-13/16"
	DHCGD40HRR	4"	1-1/4"	Hard Rubber	300 lbs.	Rigid	2-3/4"W x 6"L	5"
DHCGD40PS	4"	1-1/4"	Plastic	225 lbs.	3-1/4"	4"W x 5-1/18"L	5"	
DHCGD40HRS	4"	1-1/4"	Hard Rubber	300 lbs.	3-1/4"	4"W x 5-1/18"L	5"	
With Brake	DHCGD20PSB	2"	15/16"	Plastic	125 lbs.	1-3/4"	1-7/8"W x 2-9/16"L	2-7/16"
	DHCGD20HR SB	2"	15/16"	Hard Rubber	125 lbs.	1-3/4"	1-7/8"W x 2-9/16"L	2-7/16"
	DHCGD20MR SB	2"	15/16"	Non-Marking Gray	125 lbs.	1-3/4"	1-7/8"W x 2-9/16"L	2-7/16"
	DHCGD25RSB	2-1/2"	1-1/8"	Soft Rubber	100 lbs.	2-3/8"	2-3/4"W x 3-27/32"L	3-1/4"
	DHCGD25PSB	2-1/2"	1-1/8"	Plastic	175 lbs.	2-3/8"	2-3/4"W x 3-27/32"L	3-1/4"
	DHCGD25HR SB	2-1/2"	1-1/8"	Hard Rubber	200 lbs.	2-3/8"	2-3/4"W x 3-27/32"L	3-1/4"
	DHCGD25MR SB	2-1/2"	1-1/8"	Non-Marking Gray	175 lbs.	2-3/8"	2-3/4"W x 3-27/32"L	3-1/4"
	DHCGD30RSB	3"	1-1/4"	Soft Rubber	125 lbs.	2-7/16"	3-1/8" W x 4-1/16"L	3-13/16"
	DHCGD30PSB	3"	1-1/4"	Plastic	220 lbs.	2-7/16"	3-1/8"W x 4-1/16"L	3-13/16"
	DHCGD30HR SB	3"	1-1/4"	Hard Rubber	220 lbs.	2-7/16"	3-1/8"W x 4-1/16"L	3-13/16"
	DHCGD30MR SB	3"	1-1/4"	Non-Marking Gray	225 lbs.	2-7/16"	3-1/8"W x 4-1/16"L	3-13/16"
	DHCGD40HR SB	4"	1-1/4"	Hard Rubber	300 lbs.	3-1/4"	4"W x 5-1/18"L	5"

A  
B  
C  
D  
E  
F  
G  
H  
I  
J  
K  
L  
M  
N  
O  
P  
Q  
R  
S  
T  
U  
V  
W  
X  
Y

A  
B  
C  
D  
E  
F  
G  
H  
I  
J  
K  
L  
M  
N  
O  
P  
Q  
R  
S  
T  
U  
V  
W  
X  
Y

**PLATE MOUNTED CASTERS**



Rigid without brake

Swivel with brake

**Swivel & Rigid Casters**  
**Medium Duty, 220 to 300 lbs. Weight Capacity**



- With or without brake, rigid and swivel types
- Available wheel material: Rubber, Non-Marking and Polyurethane
- Hardened raceway and yoke for extra strength

	Item #	Wheel Dia.	Tread Width	Wheel Material	Weight Capacity	Swivel Radius	Plate Size	Overall Height
Without Brake	DHCLM35P1TPS	3-1/2"	1-1/4"	Non-Marking (Gray)	220 lbs.	3-1/16"	2-3/8"W x 3-5/8"L	4-11/16"
	DHCLM4P1PUR	4"	1-1/4"	Polyurethane	275 lbs.	Rigid	2-3/8"W x 3-5/8"L	5-1/8"
	DHCLM4P1MR	4"	1-1/4"	Non-Marking (Gray)	240 lbs.	Rigid	2-3/8"W x 3-5/8"L	5-1/8"
	DHCLM4P1RR	4"	1-1/4"	Rubber	265 lbs.	Rigid	2-3/8"W x 3-5/8"L	5-1/8"
	DHCLM4P1PUS	4"	1-1/4"	Polyurethane	275 lbs.	3-1/2"	2-3/8"W x 3-5/8"L	5-1/8"
	DHCLM4P1MS	4"	1-1/4"	Non-Marking (Gray)	240 lbs.	3-1/2"	2-3/8"W x 3-5/8"L	5-1/8"
	DHCLM4P1RS	4"	1-1/4"	Rubber	265 lbs.	3-1/2"	2-3/8"W x 3-5/8"L	5-1/8"
	DHCLM5P1TPS	5"	1-1/4"	Soft Rubber	225 lbs.	4"	2-3/8"W x 3-5/8"L	6-5/32"
	DHCLM5P1PUS	5"	1-1/4"	Polyurethane	300 lbs.	4"	2-3/8"W x 3-5/8"L	6-5/32"
With Brake	DHCLM35P1TPSB	3-1/2"	1-1/4"	Non-Marking (Gray)	220 lbs.	3-1/16"	2-3/8"W x 3-5/8"L	4-11/16"
	DHCLM4P1TPSB	4"	1-1/4"	Non-Marking (Gray)	240 lbs.	3-1/2"	2-3/8"W x 3-5/8"L	5-1/8"
	DHCLM4P1RSB	4"	1-1/4"	Rubber	265 lbs.	3-1/2"	2-3/8"W x 3-5/8"L	5-1/8"
	DHCLM4P1PUSB	4"	1-1/4"	Polyurethane	275 lbs.	3-1/2"	2-3/8"W x 3-5/8"L	5-1/8"
	DHCLM5P1TPSB	5"	1-1/4"	Soft Rubber	225 lbs.	4"	2-3/8"W x 3-5/8"L	6-5/32"
	DHCLM5P1PUSB	5"	1-1/4"	Polyurethane	300 lbs.	4"	2-3/8"W x 3-5/8"L	6-5/32"



**Swivel Casters With Supreme Locking Brake**  
**Medium Duty, 265 to 275 lbs. Weight Capacity**



- Total locking when engaged "Supreme" brake locks both wheel and yoke
- 4" wheel diameter
- Wheel material available: Soft Rubber Black and Polyurethane Blue
- Hardened raceway and yoke for extra strength
- Applications: Shop carts and equipment, industrial carts and store fixtures

Item #	Wheel Dia.	Tread Width	Wheel Material	Weight Capacity	Swivel Radius	Plate Size	Overall Height
DHCML4P1PUS	4"	1-1/4"	Polyurethane Blue	275 lbs.	3-1/2"	2-3/8"W x 3-5/8"L	5-1/8"
DHCML4P1RS	4"	1-1/4"	Soft Rubber Black	265 lbs.	3-1/2"	2-3/8"W x 3-5/8"L	5-1/8"

**PLATE MOUNTED CASTERS**



**Swivel & Rigid Casters Without Brake  
Low Profile, Heavy Duty, 440 lbs. Weight Capacity**



- Low profile twin wheel design for heavy weight capacity
- Excellent mobility
- Applications: Heavy equipment, stock carts

Item #	Wheel Dia.	Tread Width	Wheel Material	Weight Capacity	Swivel Radius	Plate Size	Overall Height
DHCBU3P2NR	3"	1-13/16"	Nylon	440 lbs.	Rigid	3-1/4"W x 4-1/4"L	4-3/16"
DHCBU3P2NS	3"	1-13/16"	Nylon	440 lbs.	2-5/16"	3-1/4"W x 4-1/4"L	4-3/16"



**Swivel & Rigid Casters Without Brake  
Heavy Duty, 400 to 1,000 lbs. Weight Capacity**



- Wheel material available in Molden Rubber (Rubber & Steel) and Phenolic
- Wheel diameter from 4" to 6"
- Leg double welded for extra strength

Item #	Wheel Dia.	Tread Width	Wheel Material	Weight Capacity	Swivel Radius	Plate Size	Overall Height
DHCMHD4PNR	4"	2"	Phenolic	800 lbs.	Rigid	3-15/16"W x 4-1/2"L	5-5/8"
DHCMHD4PNS	4"	2"	Phenolic	800 lbs.	3-3/16"	3-15/16"W x 4-1/2"L	5-5/8"
DHCMHD5MRS	5"	2"	Moldon Rubber	400 lbs.	3-7/8"	3-15/16"W x 4-1/2"L	6-1/2"
DHCMHD5PNS	5"	2"	Phenolic	900 lbs.	3-7/8"	3-15/16"W x 4-1/2"L	6-1/2"
DHCMHD6PNR	6"	2"	Phenolic	1000 lbs.	Rigid	3-15/16"W x 4-1/2"L	7-1/2"
DHCMHD6PNS	6"	2"	Phenolic	1000 lbs.	4-37/64"	3-15/16"W x 4-1/2"L	7-1/2"
DHCMHD8PNS	8"	2"	Phenolic	1000 lbs.	6"	3-15/16"W x 4-1/2"L	9-1/2"

**Visit us on  
our website:  
wurthlac.com**

The screenshot shows the WÜRTH website interface. At the top, there's a search bar and a shopping cart icon. Below the navigation bar, there are three main promotional banners: 'LEAVE THE DUST BEHIND WITH 3M XTRACT™ ABRASIVES!' featuring a large image of a 3M Xtract abrasive disc; 'NOW HIRING!' with an image of a worker and a 'Apply at: wurthlac.com/careers' link; and 'SUPPLY CHAIN CHALLENGES? We have you COVERED.' with a 'LEARN MORE' link. At the bottom, there are three categories: 'GOVERNMENT' (We are a SAM Approved U.S. Government Vendor), 'CATALOGS & LITERATURE' (Digital versions to download), and 'MACHINERY' (Explore our full line of woodworking machinery).

A  
B  
C  
D  
E  
F  
G  
H  
I  
J  
K  
L  
M  
N  
O  
P  
Q  
R  
S  
T  
U  
V  
W  
X  
Y

**A STEM MOUNTED CASTERS**



**Twin Wheel Swivel Casters,  
Black Finish Light Duty, 70 to 85 lbs.  
Weight Capacity Plate**



Threaded without Brake

- Stem/socket and threaded mounting - with or without brake
- Easy and smooth rolling on carpet or floor
- Applications: Office furniture, store fixture and all purpose carts



Stem & Socket w/Bracket



Plate

Item #	Wheel Dia.	Wheel Material	Weight Cap.	Mount Type	Stem Size (Dia. x Gauge x L) Plate Size (W x L)	Overall Height
<b>Without Brake</b>						
DHCT20T1BK	2"	Plastic	85 lbs.	Threaded	5/16"D - 18 Gauge x 1"L	2-1/8"
DHCT20S1BK	2"	Plastic	85 lbs.	Stem & Socket	5/16"D - 18 Gauge x 1-1/2" L	2-1/8"
DHCT15P1BK	1-1/2"	Plastic	70 lbs.	Plate	1-1/2"W x 1-1/2"L	1-3/4"
DHCT20P1BK	2"	Plastic	85 lbs.	Plate	1-1/2"W x 1-1/2"L	2-1/8"
<b>With Brake</b>						
DHCT20T1BKB	2"	Plastic	85 lbs.	Threaded	5/16"D - 18 Gauge x 1"L	2-1/8"
DHCT20S1BKB	2"	Plastic	85 lbs.	Stem & Socket	5/16"D - 18 Gauge x 1-1/2" L	2-1/8"
DHCT15P1BKB	1-1/2"	Plastic	70 lbs.	Plate	1-1/2"W x 1-1/2"L	1-3/4"
DHCT20P1BKB	2"	Plastic	85 lbs.	Plate	1-1/2"W x 1-1/2" L	2-1/8"

**Metal Hooded Swivel Casters  
Light Duty, 90 lbs. Weight Capacity,  
Stem & Socket Mount**



- Rubber ball wheels easily roll on carpet
- Application: Widely used on furniture for low-pile carpeting and all hard flooring
- Socket sold separately



Item #	Wheel Dia.	Finish	Stem Thread Size	Overall Height
DHCH20S1BR	2"	Brass	5/16"D x 1-1/2"L	2-1/2"
DHCH20S1CR	2"	Chrome	5/16"D x 1-1/2"L	2-1/2"
<b>Socket</b>				
DHMS516	-	Metal	5/16"D	1-1/2"



**STEM MOUNTED CASTERS**



**Threaded Stem Swivel Casters With Brake  
Light Duty, 100 lbs. Store Fixture Caster**

- Store fixture caster with octagonal upper cup for easy assembling
- Excellent floor protection has easy rolling, non-marking gray wheel



Item #	Wheel Dia.	Tread Width	Wheel Material	Swivel Radius	Stem Thread Size	Overall Height
DHCLI30T6MSB	3"	1"	Non-Marking Gray	2-5/8"	1/2"D - 13 Gauge x 5/8"L	3-3/4"



Without brake



With brake

**Threaded Stem Mount Swivel Casters  
Light Duty, 66 to 110 lbs. Weight Capacity**

- With or without brakes
- Available in Black Rubber and Non-Marking Gray
- Embossed Zinc Plated yoke



Item #	Wheel Diameter	Tread Width	Wheel Material	Weight Capacity	Swivel Radius	Stem Thread Size	Overall Height
<b>Without Brake</b>							
DHCL20T2RS	2"	13/16"	Rubber	77 lbs.	1-13/16"	3/8" D - 16 Gauge x 1-1/4"L	2-5/8"
DHCL20T1RS	2"	13/16"	Rubber	77 lbs.	1-13/16"	5/16" D - 18 Gauge x 1" L	2-5/8"
DHCL20T2MS	2"	13/16"	Non-Marking	66 lbs.	1-13/16"	3/8"D - 16 Gauge x 1-1/4"L	2-5/8"
DHCL20T1MS	2"	13/16"	Non-Marking	66 lbs.	1-13/16"	5/16"D - 18 Gauge x 1" L	2-5/8"
DHCL30T2MS	3"	13/16"	Non-Marking	100 lbs.	2-3/8"	3/8"D - 16 Gauge x 1-1/4" L	3-5/8"
DHCL30T2RS	3"	13/16"	Rubber	110 lbs.	2-3/8"	3/8"D - 16 Gauge x 1-1/4" L	3-5/8"
<b>With Brake</b>							
DHCL20T2RSB	2"	13/16"	Rubber	77 lbs.	1-13/16"	3/8"D - 16 Gauge x 1-1/4"L	2-5/8"
DHCL20T1RSB	2"	13/16"	Rubber	77 lbs.	1-13/16"	5/16"D - 18 Gauge x 1" L	2-5/8"
DHCL20T2MSB	2"	13/16"	Non-Marking	66 lbs.	1-13/16"	3/8" D - 16 Gauge x 1-1/4"L	2-5/8"
DHCL20T1MSB	2"	13/16"	Non-Marking	66 lbs.	1-13/16"	5/16"D - 18 Gauge x 1" L	2-5/8"
DHCL30T2RSB	3"	13/16"	Rubber	110 lbs.	2-3/8"	3/8"D - 16 Gauge x 1-1/4" L	3-5/8"
DHCL30T2MSB	3"	13/16"	Non-Marking	110 lbs.	2-3/8"	3/8"D - 16 Gauge x 1-1/4" L	3-5/8"

A  
B  
C  
D  
E  
F  
G  
H  
I  
J  
K  
L  
M  
N  
O  
P  
Q  
R  
S  
T  
U  
V  
W  
X  
Y

**A STEM MOUNTED CASTERS**



**Threaded Stem Mount Casters  
Medium Duty, 220 lbs. Weight Capacity**

- With or without brake
- Made of Black Rubber
- Hardened raceway and yoke for extra strength



Item#	Wheel Dia.	Tread Width	Weight Capacity	Swivel Radius	Stem Thread Size	Overall Height
<b>Without Brake</b>						
DHCLM3T3RS	3"	1-1/4"	220 lbs.	2-3/4"	1/2" D - 13 Gauge x 1-1/2" L	4-1/4"
<b>With Brake</b>						
DHCLM3T3RSB	3"	1-1/4"	220 lbs.	2-3/4"	1/2" D - 13 Gauge x 1-1/2" L	4-1/4"



**Shopping Cart Casters  
Medium Duty, 200 lbs. Weight Capacity**

- Deeply embossed formed yoke
- Corrosion resistant Zinc Plated finish
- Excellent mobility



Item #	Wheel Dia.	Tread Width	Wheel Material	Weight Capacity	Swivel Radius	Stem Thread Size	Overall Height
DHCSC5T1PS	5"	1-1/4"	Polyurethane	200 lbs.	4"	1/2" D - 13 Gauge x 7/8" L	5-29/32"

**Visit us on  
our website:  
wurthlac.com**

The screenshot shows the WÜRTH website interface. At the top, there is a search bar and a shopping cart icon with a \$0.00 total. Below the navigation bar, there are three main promotional banners:
 

- 3M XTRACT ABRASIVES:** A large graphic of a purple abrasive wheel with the text "LEAVE THE DUST BEHIND WITH 3M XTRACT™ ABRASIVES!" and "TRY-IT PACKS!" showing 8" and 6" discs.
- NOW HIRING!** A banner with a person working and the text "Apply at: wurthlac.com/careers".
- SUPPLY CHAIN CHALLENGES?** A banner with the text "We have you COVERED." and a "LEARN MORE" button.

 At the bottom of the screenshot, there are three categories:
 

- GOVERNMENT:** "We are a SAM Approved U.S. Government Vendor".
- CATALOGS & LITERATURE:** "Digital versions to download".
- MACHINERY:** "Explore our full line of woodworking machinery".

**SECTION J - TABLE OF CONTENTS**

**Section J Contents:**

PRO LED Tape Lights ..... 2-9

PRO LED Stick Lights..... 10-11

PRO LED Puck Lights..... 12-13

PRO Power Supplies, PRO Switches  
& Accessories ..... 14-15

Tresco LED RGB-CCT Tape Lights ..... 16-24

Tresco Cabinet Sized LED Kits..... 25-30

Tresco Infinex..... 31-34

Tresco LED Tape Lights ..... 35-39

Tresco LED Linear Lights ..... 40-42

Tresco LED Puck Lights..... 43-46

Tresco Power Supplies..... 47-51

Tresco Accessories ..... 52-64

Tresco Snap LED Panels ..... 65

Tresco LED 120 Volt Puck Lights..... 66

Tresco Countertop Displays..... 67

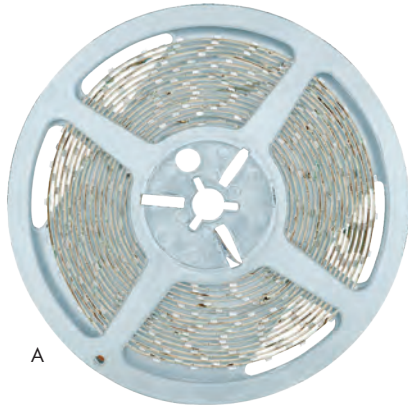
Puck Light Jig..... 68



A  
B  
C  
D  
E  
F  
G  
H  
I  
J  
K  
L  
M  
N  
O  
P  
Q  
R  
S  
T  
U  
V  
W  
X  
Y



**A PRO 0.8W LED TAPE**



**PRO 0.8W LED Tape**

- 0.8 Watt per 12", 12 V, Bulb Life: 25,000 hrs.
- 100° Beam Spread, 1 Year Warranty
- Size: 16.4' L x 3/8" W x 5/64" H (can be cut every 4")
- **Required Component:** 79" Lead Cord - sold separately below (B)
- **Required Component:** Dimmable Driver - If you are dimming from a wall dimmer sold separately below (C) **-OR-**
- **Required Component:** Power Supply - If you are **NOT** dimming from a wall dimmer sold separately on next page (F)



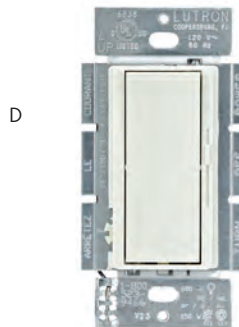
Item #	Description
A	PROPT08W-3R Pro 0.8W LED Tape, 16.4' Roll, 12 Volts, Warm White (3000K)
	PROPT08W-5R Pro 0.8W LED Tape, 16.4' Roll, 12 Volts, Cool White (5000K)
<b>⚡ Required Component - Must purchase to get power to PRO 0.8W LED Tape</b>	
B	PROPTPCL-79IN 79" Lead Cord, Connects Tape to Power Supply



**Required Component - If you are dimming from a wall dimmer.**

Note: Must purchase Hardwire Power Supply with Wall Dimmer Switches.

Used to dim LED Tape with a Wall Dimmer.  
Hardwire directly to a wall dimmer switch.



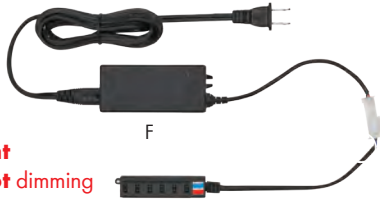
Item #	Description	Tape Capacity
<b>⚡ Required Component - If you are dimming from a wall dimmer</b>		
C	RVDCE30D-CON 30W, 12V Dim Driver w/6 AMP Ports	37.5'
	RVDCE60D-CON 60W, 12V Dim Driver w/6 AMP Ports	75'
<b>LED Wall Dimmer Switches</b>		
D	PROPRODIAWH 150W, Lutron Diva® C•L™ Dimmer w/out plate	
E	PROPROSKYWH 150W, Lutron Skylark Contour C•L™ Dim w/out plate	

**PRO 0.8W LED TAPE**



**Required Component**

If you are **not** dimming from a wall dimmer

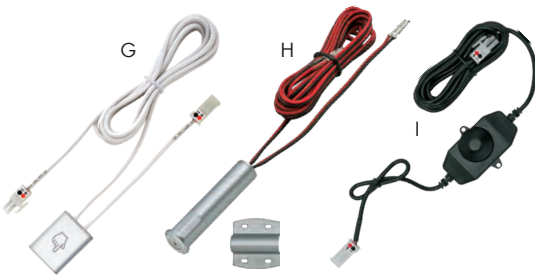


**Power Supplies**



Item #	Description	Tape Cap.
<b>Required Component - If you are NOT dimming from a wall dimmer</b>		
F	RVDC-EQ30	30W, 12V Power Supply w/6 AMP Ports
	RVDC-EQ60	60W, 12V Power Supply w/6 AMP Ports
<b>12V Dimmer Switches</b> (Used with Power Supply)		
G	PROSQRD-NI	60W, Sq. Touch Dimmer w/96" Input - 6" Output Wires
H	PRORNDTD-NI	60W, Round Touch Dimmer w/79" Input - 6" Output Wires
I	PROROTDIM-BL	48W, Rotary Dimmer w/79" Input - 8" Output Wires
<b>12V On/Off Switches</b> (Used with Power Supply)		
J	PRORNDDS-NI	60W, Round Door Sensor w/79" Input - 6" Output Wires
K	PRORNDPS-NI	60W, Rnd Proximity Switch w/79" Input - 6" Output Wires
L	PRORNDON-BL	60W, Rnd On/Off Switch w/79" Input - 6" Output Wires

**Dimmer Switches**

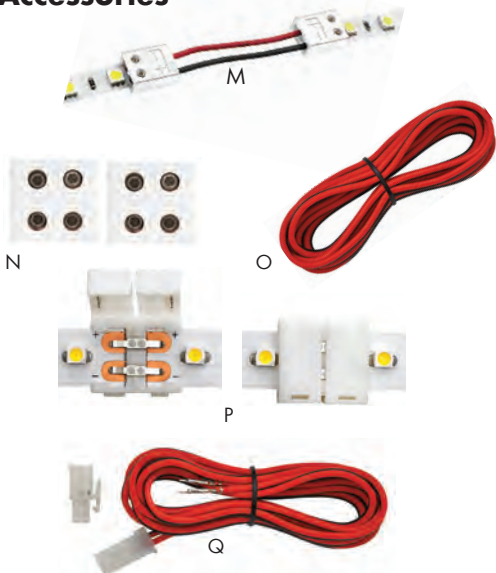


**On/Off Switches**



**Accessories**

**Accessories**

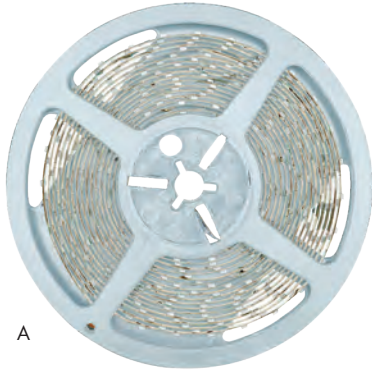


<b>Linking Wires</b>		
M	PROPTCON-2IN	2" Linking Wire, Links Two Tapes Together
	PROPTCON-6IN	6" Linking Wire, Links Two Tapes Together
	PROPTCON-10IN	10" Linking Wire, Links Two Tapes Together
	PROPTCON-24IN	24" Linking Wire, Links Two Tapes Together
	PROPTCON-48IN	48" Linking Wire, Links Two Tapes Together
	PROPTCON-72IN	72" Linking Wire, Links Two Tapes Together
<b>Connectors for Creating Custom Lengths of Linking Wire</b>		
N	PROPTCIC-WH	Custom Interlink Connectors (CIC), Used to Create Custom Lengths of Linking Wire, Packed in Pairs
O	PROPWIRE25-RB	25' Roll, 18 Gauge Wire, Red/Black Color
<b>End-To-End Connector</b>		
P	PROPTBTB-WH	End-To-End Connector
<b>Extension Cords</b>		
Q	PROEXTCON-3IN	3" Extension Cord
	PROEXTCON-6IN	6" Extension Cord
	PROEXTCON-10IN	10" Extension Cord
	PROEXTCON-24IN	24" Extension Cord
	PROEXTCON-48IN	48" Extension Cord
	PROEXTCON-72IN	72" Extension Cord
	PROEXTCON-96IN	96" Extension Cord

A  
B  
C  
D  
E  
F  
G  
H  
I  
J  
K  
L  
M  
N  
O  
P  
Q  
R  
S  
T  
U  
V  
W  
X  
Y

A  
B  
C  
D  
E  
F  
G  
H  
I  
J  
K  
L  
M  
N  
O  
P  
Q  
R  
S  
T  
U  
V  
W  
X  
Y

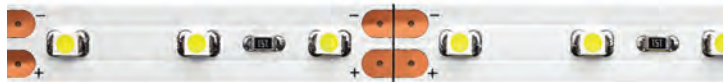
## PRO 1.5W LED TAPE



A

### PRO 1.5W LED Tape

- 1.5 Watts per 12", 12 V, Bulb Life: 25,000 hours
- 100° Beam Spread, 1 Year Warranty
- Size: 16.4'L x 3/8"W x 5/64"H (can be cut every 2")
- **Required Component:** 79" Lead Cord - sold separately below (B)
- **Required Component:** Dimmable Driver - If you are dimming from a wall dimmer - sold separately below (C) **-OR-**
- **Required Component:** Power Supply - If you are **NOT** dimming from a wall dimmer - sold separately on next page (F)



B

Item #	Description
A	PROPT15W-3R Pro 1.5W LED Tape, 16.4' Roll, 79" Lead Cord Sold Separately, 12 Volts, Warm White (3000K)
A	PROPT15W-5R Pro 1.5W LED Tape, 16.4' Roll, 79" Lead Cord Sold Separately, 12 Volts, Cool White (5000K)
<b>⚡ Required Component - Must purchase to get power to PRO 1.5W LED Tape</b>	
B	PROPTPCL-79IN 79" Lead Cord, Connects Tape to Power Supply



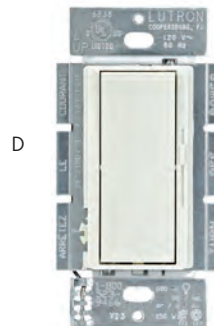
### Required Component - If you are dimming from a wall dimmer.

Note: Must purchase Hardwire Power Supply with Wall Dimmer Switches.

Used to dim LED Tape with a Wall Dimmer.  
Hardwire directly to a wall dimmer switch.



C



D



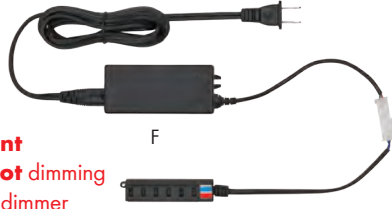
E

Item #	Description	Tape Capacity
<b>⚡ Required Component - If you are dimming from a wall dimmer</b>		
C	RVDCE30D-CON 30W, 12V Dim Driver w/6 AMP Ports	20'
C	RVDCE60D-CON 60W, 12V Dim Driver w/6 AMP Ports	40'
<b>LED Wall Dimmer Switches</b>		
D	PROPRODIVAWH 150W, Lutron Diva® C•L™ Dimmer w/out plate	
E	PROPROSKYWWh 150W, Lutron Skylark Contour C•L™ Dim w/out plate	

**PRO 1.5W LED TAPE**



**Required Component**  
If you are **not** dimming from a wall dimmer

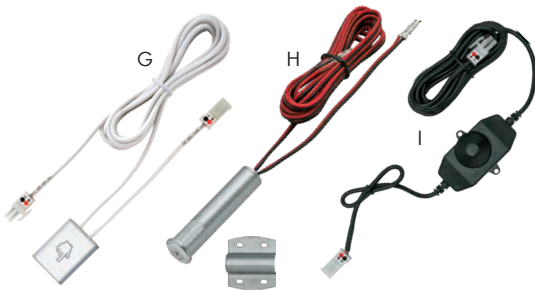


**Power Supplies**



Item #	Description	Tape Cap.
<b>Required Component - If you are NOT dimming from a wall dimmer</b>		
F	RVDC-EQ30	30W, 12V Power Supply w/6 AMP Ports
	RVDC-EQ60	60W, 12V Power Supply w/6 AMP Ports

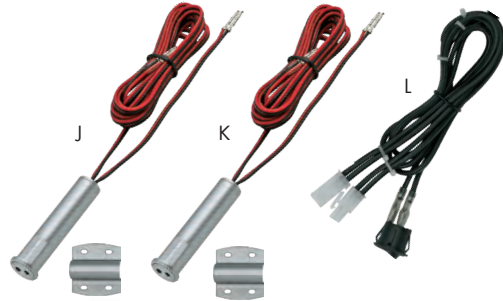
**Dimmer Switches**



**12V Dimmer Switches** (Used with Power Supply)

G	PROSQRD-NI	60W, Sq. Touch Dimmer w/96" Input - 6" Output Wires
H	PRORNDTD-NI	60W, Round Touch Dimmer w/79" Input - 6" Output Wires
I	PROROTDIM-BL	48W, Rotary Dimmer w/79" Input - 8" Output Wires

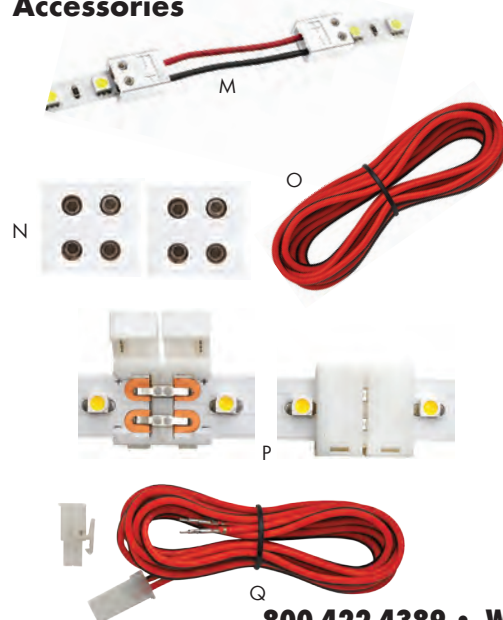
**On/Off Switches**



**12V On/Off Switches** (Used with Power Supply)

J	PRORNDDS-NI	60W, Round Door Sensor w/79" Input - 6" Output Wires
K	PRORNDPS-NI	60W, Round Proximity Switch w/79" Input - 6" Output Wires
L	PRORNDON-BL	60W, Round On/Off Switch w/79" Input - 6" Output Wires

**Accessories**



**Accessories**

**Linking Wires**

M	PROPTCON-2IN	2" Linking Wire, Links Two Tapes Together
	PROPTCON-6IN	6" Linking Wire, Links Two Tapes Together
	PROPTCON-10IN	10" Linking Wire, Links Two Tapes Together
	PROPTCON-24IN	24" Linking Wire, Links Two Tapes Together
	PROPTCON-48IN	48" Linking Wire, Links Two Tapes Together
	PROPTCON-72IN	72" Linking Wire, Links Two Tapes Together

**Connectors for Creating Custom Lengths of Linking Wire**

N	PROPTCIC-WH	Custom Interlink Connectors (CIC), Used to Create Custom Lengths of Linking Wire, Packed in Pairs
O	PROPWIRE25-RB	25' Roll, 18 Gauge Wire, Red/Black Color

**End-To-End Connector**

P	PROPTBTB-WH	End-To-End Connector
---	-------------	----------------------

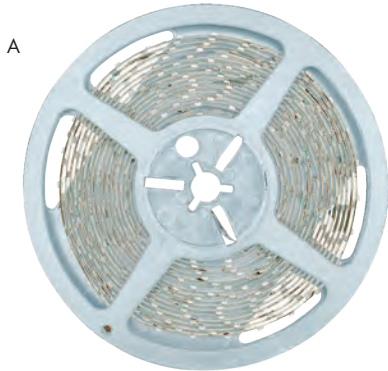
**Extension Cords**

Q	PROEXTCON-3IN	3" Extension Cord
	PROEXTCON-6IN	6" Extension Cord
	PROEXTCON-10IN	10" Extension Cord
	PROEXTCON-24IN	24" Extension Cord
	PROEXTCON-48IN	48" Extension Cord
	PROEXTCON-72IN	72" Extension Cord
	PROEXTCON-96IN	96" Extension Cord

A  
B  
C  
D  
E  
F  
G  
H  
I  
J  
K  
L  
M  
N  
O  
P  
Q  
R  
S  
T  
U  
V  
W  
X  
Y

A  
B  
C  
D  
E  
F  
G  
H  
I  
J  
K  
L  
M  
N  
O  
P  
Q  
R  
S  
T  
U  
V  
W  
X  
Y

**PRO 3W LED TAPE**



**PRO 3W LED Tape**

- 3 Watts per 12", 12 Volts, Bulb Life: 25,000 hours
- 100° Beam Spread, 1 Year Warranty
- Size: 16.4'L x 3/8"W x 5/64"H (can be cut every 1")
- **Required Component:** 79" Lead Cord - sold separately below (B)
- **Required Component:** Dimmable Driver - If you are dimming from a wall dimmer - sold separately below (C) **-OR-**
- **Required Component:** Power Supply - If you are **NOT** dimming from a wall dimmer - sold separately on next page (F)



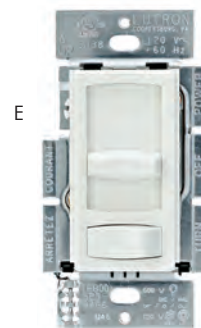
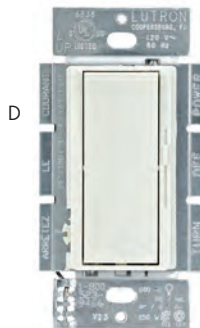
Item #	Description
A	PROPT3W-3R PRO 3W LED Tape, 16.4' Roll, 79" Lead Cord Sold Separately, 12 Volts, Warm White (3000K)
A	PROPT3W-5R PRO 3W LED Tape, 16.4' Roll, 79" Lead Cord Sold Separately, 12 Volts, Cool White (5000K)
<b>⚡ Required Component - Must purchase to get power to PRO 3W LED Tape</b>	
B	PROPTPCL-79IN 79" Lead Cord, Connects Tape to Power Supply



**Required Component - If you are dimming from a wall dimmer.**

NOTE: Must purchase Hardwire Power Supply with Wall Dimmer Switches.

Used to dim LED Tape with a Wall Dimmer.  
Hardwire directly to a wall dimmer switch.



Item #	Description	Tape Capacity
<b>⚡ Required Component - If you are dimming from a wall dimmer</b>		
C	RVDCE30D-CON 30W, 12V Dim Driver w/6 AMP Ports	10'
C	RVDCE60D-CON 60W, 12V Dim Driver w/6 AMP Ports	20'
<b>LED Wall Dimmer Switches</b>		
D	PROPRODIVAWH 150W, Lutron Diva® C • L™ Dimmer w/out plate	
E	PROPROSKYWH 150W, Lutron Skylark Contour C • L™ Dim w/out plate	

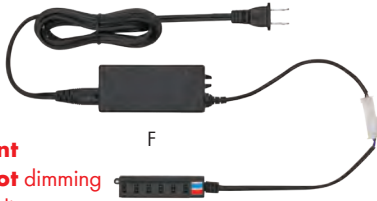


# PRO 3W LED TAPE



**Required Component**

If you are **not** dimming from a wall dimmer

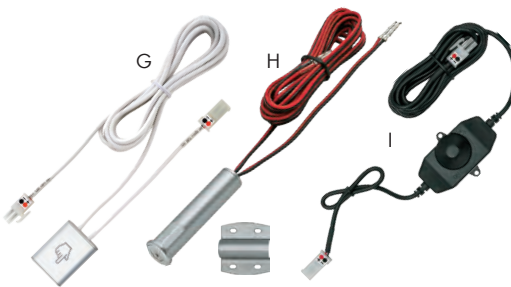


**Power Supplies**



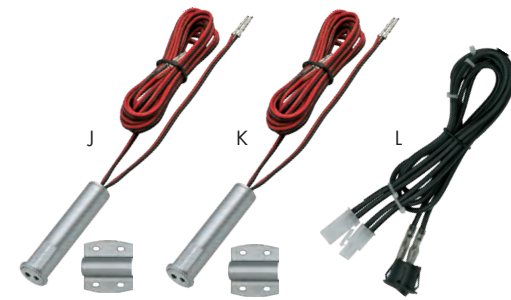
Item #	Description	Tape Cap.	
<b>Required Component - If you are NOT dimming from a wall dimmer</b>			
F	RVDC-EQ30	30W, 12V Power Supply w/6 AMP Ports	10'
	RVDC-EQ60	60W, 12V Power Supply w/6 AMP Ports	20'

**Dimmer Switches**



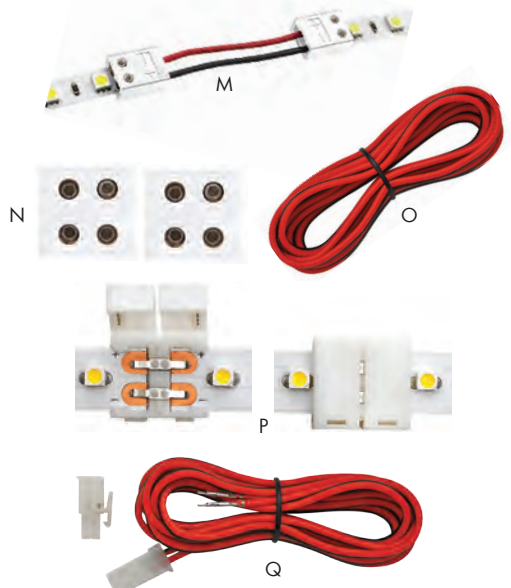
<b>12V Dimmer Switches</b> (Used with Power Supply)		
G	PROSQRTD-NI	60W, Sq. Touch Dimmer w/96" Input - 6" Output Wires
H	PRORNDTD-NI	60W, Round Touch Dimmer w/79" Input - 6" Output Wires
I	PROROTDIM-BL	48W, Rotary Dimmer w/79" Input - 8" Output Wires

**On/Off Switches**



<b>12V On/Off Switches</b> (Used with Power Supply)		
J	PRORNDSDS-NI	60W, Round Door Sensor w/79" Input - 6" Output Wires
K	PRORNDPS-NI	60W, Rnd Proximity Switch w/79" Input - 6" Output Wires
L	PRORNDON-BL	60W, Rnd On/Off Switch w/79" Input - 6" Output Wires

**Accessories**



**Accessories**

<b>Linking Wires</b>		
M	PROPTCON-2IN	2" Linking Wire, Links Two Tapes Together
	PROPTCON-6IN	6" Linking Wire, Links Two Tapes Together
	PROPTCON-10IN	10" Linking Wire, Links Two Tapes Together
	PROPTCON-24IN	24" Linking Wire, Links Two Tapes Together
	PROPTCON-48IN	48" Linking Wire, Links Two Tapes Together
	PROPTCON-72IN	72" Linking Wire, Links Two Tapes Together

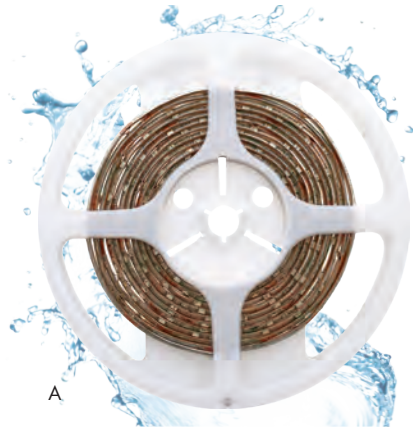
<b>Connectors for Creating Custom Lengths of Linking Wire</b>		
N	PROPTCIC-WH	Custom Interlink Connectors (CIC), Used to Create Custom Lengths of Linking Wire, Packed in Pairs
O	PROPWIRE25-RB	25' Roll, 18 Gauge Wire, Red/Black Color

<b>End-To-End Connector</b>		
P	PROPTBTB-WH	End-To-End Connector

<b>Extension Cords</b>		
Q	PROEXTCON-3IN	3" Extension Cord
	PROEXTCON-6IN	6" Extension Cord
	PROEXTCON-10IN	10" Extension Cord
	PROEXTCON-24IN	24" Extension Cord
	PROEXTCON-48IN	48" Extension Cord
	PROEXTCON-72IN	72" Extension Cord
	PROEXTCON-96IN	96" Extension Cord

A  
B  
C  
D  
E  
F  
G  
H  
I  
J  
K  
L  
M  
N  
O  
P  
Q  
R  
S  
T  
U  
V  
W  
X  
Y

**A PRO 1.5W LED SPLASH PROOF TAPE**



**PRO 1.5W LED Splash Proof Tape**

- 1.5 Watts per 12", 12 Volts, Bulb Life: 25,000 hours
- 100° Beam Spread, 1 Year Warranty
- Size: 16.4'L x 3/8"W x 5/64"H (can be cut every 2")
- **Required Component:** 79" Lead Cord - sold separately below (B)
- **Required Component:** Dimmable Driver - If you are dimming from a wall dimmer - sold separately below (C) **-OR-**
- **Required Component:** Power Supply - If you are **NOT** dimming from a wall dimmer - sold separately on next page (F)

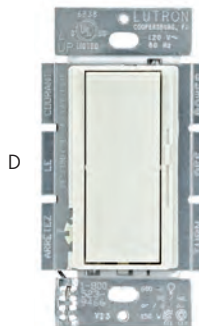


PRO 1.5W LED Splash Proof Tape Accessories listed on following page

Item #	Description
A	PROPT15W-SP-3R Splash Proof Tape (Clear Plastic Covering over the Tape), 16.4' Roll, 12 Volts, Warm White (3000K)
	PROPT15W-SP-5R Splash Proof Tape (Clear Plastic Covering over the Tape), 16.4' Roll, 12 Volts, Cool White (5000K)
<b>⚠ Required Component - Must purchase to get power to PRO 1.5W LED Splash Proof Tape</b>	
B	PROPTPCL-79IN 79" Lead Cord, Connects Tape to Power Supply

**⚠ Required Component - If you are dimming from a wall dimmer.**  
 Note: Must purchase Hardwire Power Supply with Wall Dimmer Switches.

Used to dim LED Tape with a Wall Dimmer. Hardwire directly to a wall dimmer switch.

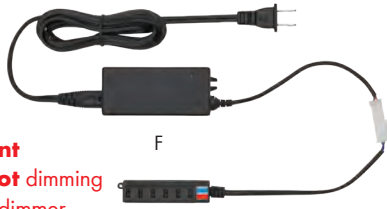


Item #	Description	Tape Capacity
<b>⚠ Required Component - If you are dimming from a wall dimmer</b>		
C	RVDCE30D-CON 30W, 12V Dim Driver w/6 AMP Ports	20'
	RVDCE60D-CON 60W, 12V Dim Driver w/6 AMP Ports	40'
<b>LED Wall Dimmer Switches</b>		
D	PROPRODIVAWH 150W, Lutron Diva® C•L™ Dimmer w/out plate	
E	PROPROSKYWH 150W, Lutron Skylark Contour C•L™ Dim w/out plate	

**PRO 1.5W LED SPLASH PROOF TAPE**



**Required Component**  
If you are **not** dimming from a wall dimmer

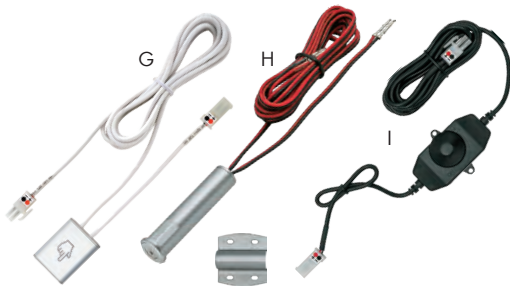


**Power Supplies**



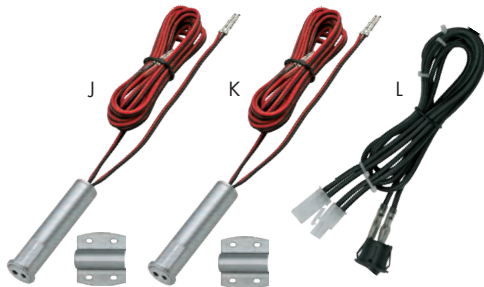
Item #	Description	Tape Cap.
<b>Required Component - If you are NOT dimming from a wall dimmer</b>		
F	RVDC-EQ30	30W, 12V Power Supply w/6 AMP Ports
	RVDC-EQ60	60W, 12V Power Supply w/6 AMP Ports

**Dimmer Switches**



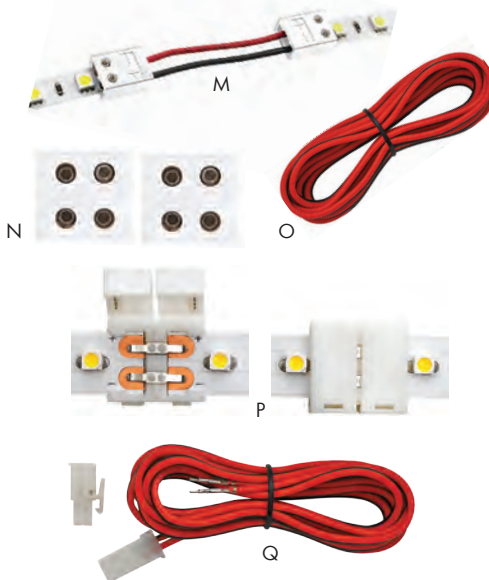
<b>12V Dimmer Switches</b> (Used with Power Supply)		
G	PROSQRTD-NI	60W, Sq. Touch Dimmer w/96" Input - 6" Output Wires
H	PRORNDTD-NI	60W, Round Touch Dimmer w/79" Input - 6" Output Wires
I	PROROTDIM-BL	48W, Rotary Dimmer w/79" Input - 8" Output Wires

**On/Off Switches**



<b>12V On/Off Switches</b> (Used with Power Supply)		
J	PRORNDSDS-NI	60W, Round Door Sensor w/79" Input - 6" Output Wires
K	PRORNDPS-NI	60W, Rnd Proximity Switch w/79" Input - 6" Output Wires
L	PRORNDON-BL	60W, Rnd On/Off Switch w/79" Input - 6" Output Wires

**Accessories**



**Accessories**

<b>Linking Wires</b>		
M	PROPTCON-2IN	2" Linking Wire, Links Two Tapes Together
	PROPTCON-6IN	6" Linking Wire, Links Two Tapes Together
	PROPTCON-10IN	10" Linking Wire, Links Two Tapes Together
	PROPTCON-24IN	24" Linking Wire, Links Two Tapes Together
	PROPTCON-48IN	48" Linking Wire, Links Two Tapes Together
	PROPTCON-72IN	72" Linking Wire, Links Two Tapes Together

<b>Connectors for Creating Custom Lengths of Linking Wire</b>		
N	PROPTCIC-WH	Custom Interlink Connectors (CIC), Used to Create Custom Lengths of Linking Wire, Packed in Pairs
O	PROPWIRE25-RB	25' Roll, 18 Gauge Wire, Red/Black Color

<b>End-To-End Connector</b>		
P	PROPTBTB-WH	End-To-End Connector

<b>Extension Cords</b>		
Q	PROEXTCON-3IN	3" Extension Cord
	PROEXTCON-6IN	6" Extension Cord
	PROEXTCON-10IN	10" Extension Cord
	PROEXTCON-24IN	24" Extension Cord
	PROEXTCON-48IN	48" Extension Cord
	PROEXTCON-72IN	72" Extension Cord
	PROEXTCON-96IN	96" Extension Cord

A  
B  
C  
D  
E  
F  
G  
H  
I  
J  
K  
L  
M  
N  
O  
P  
Q  
R  
S  
T  
U  
V  
W  
X  
Y

# PRO 1.5W LED STICK

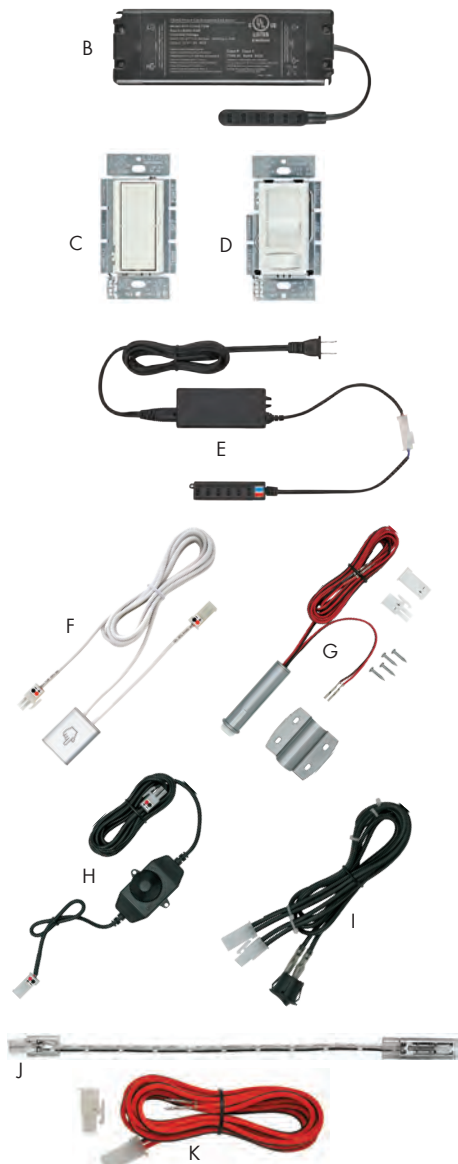
## PRO 1.5W LED Stick

- 1.5 Watts, 12 Volts, Bulb Life: 25,000 Hours
- Each 1.5W LED Stick includes a 79" Lead Cord and Install Brackets
- 90° Beam Spread, 1 Year Warranty

- **Required Component:** Dimmable Driver - If you are dimming from a wall dimmer - sold separately below (B) **-OR-**
- **Required Component:** Power Supply - If you are **NOT** dimming from a wall dimmer - sold separately below (E)



Item #	Description
A	PRO11SK15W-3PL PRO 1.5W LED Stick, 11"L, Includes 79" Lead Cord and Install Brackets, 12 Volts, Warm White (3000K)
	PRO11SK15W-5PL PRO 1.5W LED Stick, 11"L, Includes 79" Lead Cord and Install Brackets, 12 Volts, Cool White (5000K)



Item #	Description	Stick Capacity
<b>⊕ Required Component - If you are dimming from a wall dimmer</b>		
B	RVDCE30D-CON 30W, 12V Dim Driver w/6 AMP Ports	20'
	RVDCE60D-CON 60W, 12V Dim Driver w/6 AMP Ports	40'
<b>LED Wall Dimmers used with Dimmable Drivers</b>		
C	PROPRODIAWH 150W, Lutron Diva® C•L™ Dimmer without plate	
D	PROPROSKYWH 150W, Lutron Skylark Contour C•L™ Dim without plate	
<b>⊕ Required Component - If you are NOT dimming from a wall dimmer</b>		
E	RVDC-EQ30 30W, 12V Power Supply w/6 AMP Ports	20'
	RVDC-EQ60 60W, 12V Power Supply w/6 AMP Ports	40'
<b>12V Dimmer Switches &amp; On/Off Switches (Used with Power Supplies)</b>		
F	PROSQRTD-NI 60W, Sq. Touch Dimmer w/96" Input - 6" Output Wires	
	PRORNDTD-NI 60W, Round Touch Dimmer w/79" Input - 6" Output Wires	
G	PRORNDPS-NI 60W, Rnd Proximity Switch w/79" Input - 6" Output Wires	
	PRORNDSD-NI 60W, Round Door Sensor w/79" Input - 6" Output Wires	
H	PROROTDIM-BL 48W, Rotary Dimmer w/79" Input - 8" Output Wires	
I	PRORNDON-BL 60W, Rnd On/Off Switch w/79" Input - 6" Output Wires	

Linking Wires (Links 2 Sticks Together)	
Item #	Size
J	PROSKLNK-2IN 2"
	PROSKLNK-6IN 6"
	PROSKLNK-10IN 10"
	PROSKLNK-24IN 24"
	PROSKLNK-48IN 48"
	PROSKLNK-72IN 72"
	PROSKLNK-96IN 96"

Extension Cords	
Item #	Size
K	PROEXTCON-3IN 3"
	PROEXTCON-6IN 6"
	PROEXTCON-10IN 10"
	PROEXTCON-24IN 24"
	PROEXTCON-48IN 48"
	PROEXTCON-72IN 72"
	PROEXTCON-96IN 96"

# PRO 3W LED STICK

## PRO 3W LED Stick

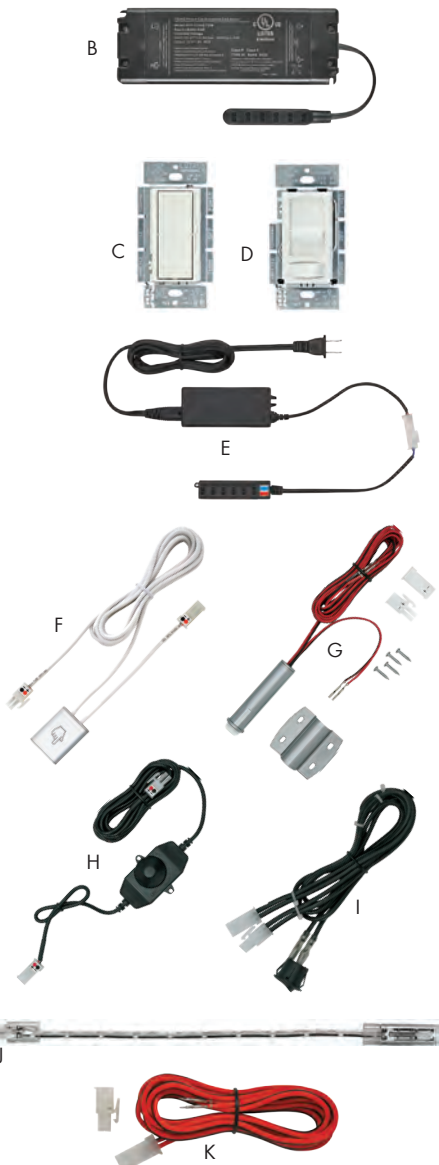


- 3 Watts, 12 Volts, Bulb Life: 25,000 Hours
- Each 3W LED Stick includes a 79" Lead Cord and Install Brackets
- 90° Beam Spread, 1 Year Warranty

- **Required Component:** Dimmable Driver - If you are dimming from a wall dimmer - sold separately below (B) **-OR-**
- **Required Component:** Power Supply - If you are **NOT** dimming from a wall dimmer - sold separately below (E)



Item #	Description
A	PRO 11SK3W-3PL PRO 3W LED Stick, 11" L, Includes 79" Lead Cord and Install Brackets, 12 Volts, Warm White (3000K)
	PRO 11SK3W-5PL PRO 3W LED Stick, 11" L, Includes 79" Lead Cord and Install Brackets, 12 Volts, Cool White (5000K)



Item #	Description	Stick Capacity
<b>Required Component - If you are dimming from a wall dimmer</b>		
B	RVDCE30D-CON 30W, 12V Dim Driver w/6 AMP Ports	10'
	RVDCE60D-CON 60W, 12V Dim Driver w/6 AMP Ports	20'
<b>LED Wall Dimmers used with Dimmable Drivers</b>		
C	PROPRODIVAWH 150W, Lutron Diva® C•L™ Dimmer without plate	
D	PROPROSKYWH 150W, Lutron Skylark Contour C•L™ Dim without plate	
<b>Required Component - If you are NOT dimming from a wall dimmer</b>		
E	RVDC-EQ30 30W, 12V Power Supply w/6 AMP Ports	10'
	RVDC-EQ60 60W, 12V Power Supply w/6 AMP Ports	20'
<b>12V Dimmer Switches &amp; On/Off Switches (Used with Power Supplies)</b>		
F	PROSQRTD-NI 60W, Sq. Touch Dimmer w/96" Input - 6" Output Wires	
G	PRORNDTD-NI 60W, Round Touch Dimmer w/79" Input - 6" Output Wires	
	PRORNDPS-NI 60W, Rnd Proximity Switch w/79" Input - 6" Output Wires	
	PRORNDSD-NI 60W, Round Door Sensor w/79" Input - 6" Output Wires	
H	PROROTDIM-BL 48W, Rotary Dimmer w/79" Input - 8" Output Wires	
I	PRORNDON-BL 60W, Rnd On/Off Switch w/79" Input - 6" Output Wires	

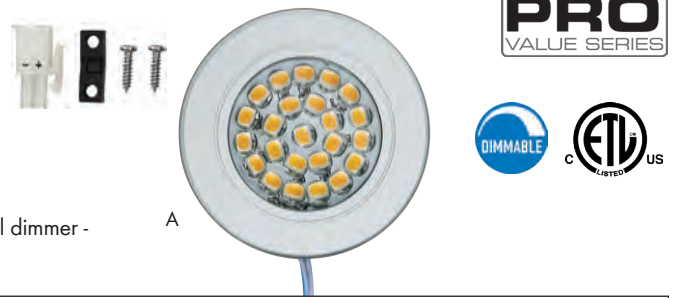
Linking Wires (Links 2 Sticks Together)	
Item #	Size
J	PROSKLNK-2IN 2"
	PROSKLNK-6IN 6"
	PROSKLNK-10IN 10"
	PROSKLNK-24IN 24"
	PROSKLNK-48IN 48"
	PROSKLNK-72IN 72"
	PROSKLNK-96IN 96"

Extension Cords	
Item #	Size
K	PROEXTCON-3IN 3"
	PROEXTCON-6IN 6"
	PROEXTCON-10IN 10"
	PROEXTCON-24IN 24"
	PROEXTCON-48IN 48"
	PROEXTCON-72IN 72"
	PROEXTCON-96IN 96"

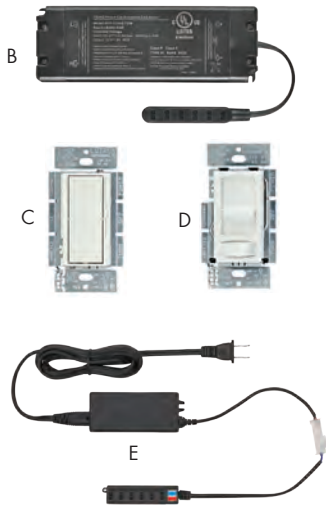
**A PRO 2W LED PUCKS**

**PRO 2W LED Pucks**

- 2 Watts, 12 Volts, Bulb Life: 25,000 hours
- Size: 2-1/4" Diameter Bore Hole x 1/2" Height
- 53° Beam Spread, 1 Year Warranty
- **Required Component:** Dimmable Driver - If dimming from a wall dimmer - sold separately below (B) **-OR-**
- **Required Component:** Power Supply - If you are **NOT** dimming from a wall dimmer - sold separately below (E). Includes attached 79" Connecting Cable



	Black Item #	Nickel Item #	Description
A	PROPK2W-3BL	PROPK2W-3NI	PRO 2W LED Puck w/ 79" cord, 12 Volts, Recess Mount, Warm White (3000K)
	PROPK2W-5BL	PROPK2W-5NI	PRO 2W LED Puck w/ 79" cord, 12 Volts, Recess Mount, Cool White (5000K)



Item #	Description	Stick Capacity
<b>⊕ Required Component - If you are dimming from a wall dimmer</b>		
B	RVDCE30D-CON 30W, 12V Dim Driver w/6 AMP Ports	15'
	RVDCE60D-CON 60W, 12V Dim Driver w/6 AMP Ports	30'
<b>LED Wall Dimmers used with Dimmable Drivers</b>		
C	PROPRODIVAWH 150W, Lutron Diva® C•L™ Dimmer without plate	
D	PROPROSKYWH 150W, Lutron Skylark Contour C•L™ Dim without plate	
<b>⊕ Required Component - If you are NOT dimming from a wall dimmer</b>		
E	RVDC-EQ30 30W, 12V Power Supply w/6 AMP Ports	15'
	RVDC-EQ60 60W, 12V Power Supply w/6 AMP Ports	30'
<b>12V Dimmer Switches &amp; On/Off Switches (Used with Power Supplies)</b>		
F	PROSQRTD-NI 60W, Sq. Touch Dimmer w/96" Input - 6" Output Wires	
G	PRORNDTD-NI 60W, Round Touch Dimmer w/79" Input - 6" Output Wires	
	PRORNDPS-NI 60W, Rnd Proximity Switch w/79" Input - 6" Output Wires	
	PRORNDDS-NI 60W, Round Door Sensor w/79" Input - 6" Output Wires	
H	PROROTDIM-BL 48W, Rotary Dimmer w/79" Input - 8" Output Wires	
I	PRORNDON-BL 60W, Rnd On/Off Switch w/79" Input - 6" Output Wires	

**Surface Mount Ring**

	Black Item #	Nickel Item #	Description
J	PROPKSMR-BL	PROPKSMR-NI	PRO LED Puck Surface Mount Ring

**Extension Cords**

	Item #	Size	Item #	Size
K	PROEXTCON-3IN	3" Extension Cord	PROEXTCON-48IN	48" Extension Cord
	PROEXTCON-6IN	6" Extension Cord	PROEXTCON-72IN	72" Extension Cord
	PROEXTCON-10IN	10" Extension Cord	PROEXTCON-96IN	96" Extension Cord
	PROEXTCON-24IN	24" Extension Cord		



## PRO 3W LED PUCKS

### PRO 3W LED Pucks

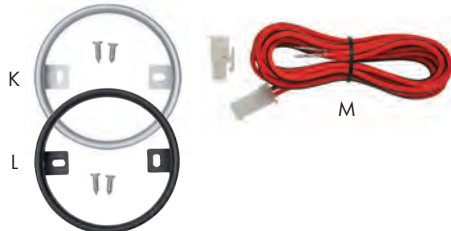
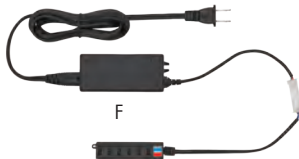
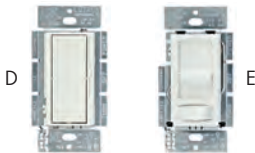
- 3 Watts, 12 Volts, Bulb Life: 25,000 hours
- Size: 2-1/4" Diameter Bore Hole x 7/16" Height
- 100° Beam Spread, 1 Year Warranty
- **Required Component:** Dimmable Driver - If you are dimming from a wall dimmer - sold separately below (C) **-OR-**
- **Required Component:** Power Supply - If you are **NOT** dimming from a wall dimmer - sold separately below (F)



Packing & Sold In: Each (Includes attached 79" Connecting Cable, Frosted Lens, Recess Mount)

Item #	Description
A	PROPK3W-3NI Warm White (3000K), Nickel Finish
	PROPK3W-5NI Cool White (5000K), Nickel Finish

Item #	Description
B	PROPK3W-3BL Warm White (3000K), Black Finish
	PROPK3W-5BL Cool White (5000K), Black Finish



Item #	Description	Stick Capacity
<b>Required Component - If you are dimming from a wall dimmer</b>		
C	RVDC-EQ30 30W, 12V Dim Driver w/6 AMP Ports	10'
	RVDC-EQ60 60W, 12V Dim Driver w/6 AMP Ports	20'
<b>LED Wall Dimmers used with Dimmable Drivers</b>		
D	PROPRODIAVWH 150W, Lutron Diva® C•L™ Dimmer without plate	
E	PROPROSKYWH 150W, Lutron Skylark Contour C•L™ Dim without plate	
<b>Required Component - If you are NOT dimming from a wall dimmer</b>		
F	RVDC-EQ30 30W, 12V Power Supply w/6 AMP Ports	10'
	RVDC-EQ60 60W, 12V Power Supply w/6 AMP Ports	20'
<b>12V Dimmer Switches &amp; On/Off Switches (Used with Power Supplies)</b>		
G	PROSQRTD-NI 60W, Sq. Touch Dimmer w/96" Input - 6" Output Wires	
H	PRORNDTD-NI 60W, Round Touch Dimmer w/79" Input - 6" Output Wires	
	PRORNDPS-NI 60W, Rnd Proximity Switch w/79" Input - 6" Output Wires	
	PRORNDSDS-NI 60W, Round Door Sensor w/79" Input - 6" Output Wires	
I	PROROTDIM-BL 48W, Rotary Dimmer w/79" Input - 8" Output Wires	
J	PRORNDON-BL 60W, Rnd On/Off Switch w/79" Input - 6" Output Wires	

### Accessories

Surface Mount Rings	
Item #	Description
K	PROPKSMR-NI Pro LED Puck Surface Mount Ring, Nickel
L	PROPKSMR-BL Pro LED Puck Surface Mount Ring, Black

Extension Cords	
Item #	Description
M	PROEXTCON-3IN 3" Extension Cord
	PROEXTCON-6IN 6" Extension Cord
	PROEXTCON-10IN 10" Extension Cord
	PROEXTCON-24IN 24" Extension Cord
	PROEXTCON-48IN 48" Extension Cord
	PROEXTCON-72IN 72" Extension Cord
PROEXTCON-96IN 96" Extension Cord	

**A PRO POWER SUPPLIES & SWITCHES**

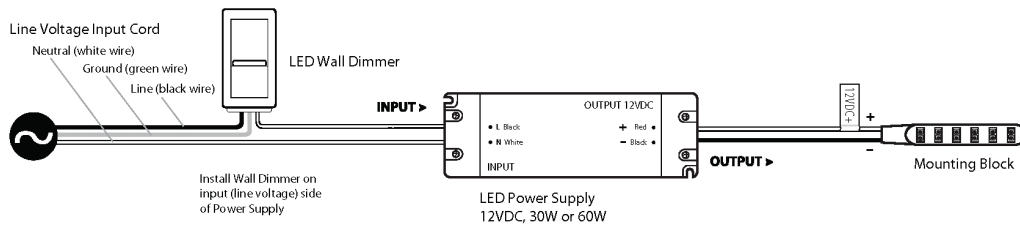
**Wall Dimmable LED Power Supply**

- Dimmable by standard LED wall dimmers
- Electronic units are lower profile and generate less heat than magnetic transformers
- Quiet operation (no humming)
- Works with all PRO 12VDC dimmable LED fixtures
- One 6-Snap Mounting Block included
- High Power Factor (PF >.95)
- RFI protection
- cULus Listed Class 2 with short circuit and automatic reset
- Install Instructions: Input cord is NOT included, remove cover on input side and insert 120V directly into the unit



Compatible PRO Wall Dimmers (see below)

Item #	Description	Size
RVDCE30D-CON	30W Wall Dimmable Hardwire Power Supply with 6 AMP Ports	2-1/8"W x 6-1/8"L x 13/16"H
RVDCE60D-CON	60W Wall Dimmable Hardwire Power Supply with 6 AMP Ports	2-3/8"W x 7"L x 15/16"H



**120V LED Wall Dimmers**

**Lutron Diva® C•L™ Dimmer**

- Large paddle switch with a captive linear-slide dimmer for a standard designer wallplate opening
- Preset dimmer
- Offers more reliable dimming performance over standard dimmers
- HED™ technology with advanced dimming circuitry designed for compatibility with most high-efficiency light bulbs
- Low-end adjustment dial
- 150W Capacity

**Lutron Skylark Contour C•L™ Dimmer**

- On/off rocker switch with a captive linear-slide dimmer for a standard designer wallplate opening
- Switch returns light to preset light level
- Offers more reliable dimming performance over standard dimmers
- HED™ technology with advanced dimming circuitry designed for compatibility with most high-efficiency light bulbs
- Low-end adjustment dial
- 150W Capacity

**Lutron Diva® C•L™ Dimmer**

**Lutron Skylark Contour C•L™ Dimmer**



Item #	Description
PROPRODIAVWH	Lutron Diva® C•L™ Dimmer w/out plate
PROPROSKYWWH	Lutron Skylark Contour C•L™ Dimmer w/out plate



**PRO POWER SUPPLIES FOR WALL DIMMING APPLICATIONS**



**Power Supplies**

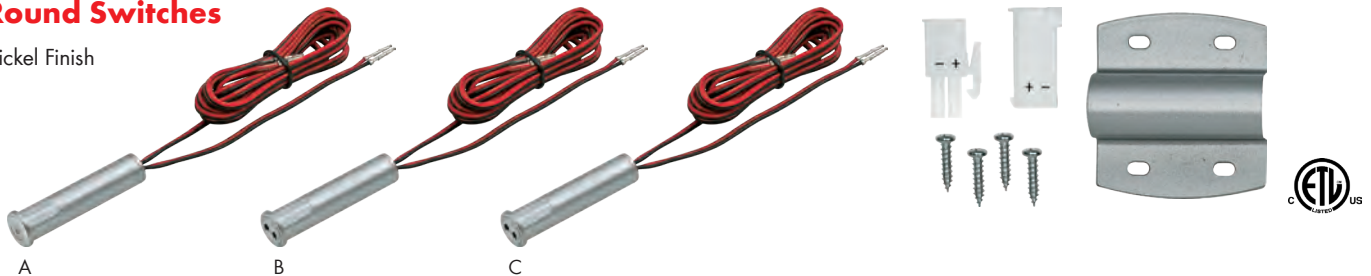
- Installs by plugging the Power Supply into an outlet
- Dimmable on the trailing edge (12V side), Class 2
- Short circuit protection (automatic reset, no fuses)
- 12V DC output, constant voltage, overcurrent protection, overload protection, RFI protection



Item #	Description
RVDC-EQ30	30 Watts/12 Volts Power Supply, Includes Terminal Block with 6 AMP Ports (Terminal Block has 6" cord) and 72" Plug-In Power Cord, Size of Power Supply: 6-1/8" L X 2-1/8" W X 13/16" H
RVDC-EQ60	60 Watts/12 Volts Power Supply, Includes Terminal Block with 6 AMP Ports (Terminal Block has 6" cord) and 72" Plug-In Power Cord, Size of Power Supply: 7" L X 2-3/8" W X 15/16" H

**Round Switches**

Nickel Finish



Item #	Description
A PRORNDTD-NI	60W, 12V Round Touch Dimmer w/79" Input - 6" Output Wires, Touch On/Off and 0-100% dimming control, Size: 17/32" Bore Hole Dia. x 2-3/8" L, Includes: Install Bracket and Screws
B PRORNDPS-NI	60W, 12V Round Proximity Switch w/79" Input - 6" Output Wires, Swipe Hand Across (2" Range) to turn On/Off, Size: 17/32" Bore Hole Dia. x 2-3/8" L, Includes: Install Bracket and Screws
C PRORNDSD-NI	60W, 12V Round Door Sensor w/79" Input - 6" Output Wires, Open Door Light is On, Close Door Light is Off (2" Range), Size: 17/32" Bore Hole Dia. x 2-3/8" L, Includes: Install Bracket and Screws

**Square Dimmer Switch**



Item #	Description
PROSQRTD-NI	60W, 12V Sq. Touch Dimmer with 96" Input / 6" Output Wires, Touch On/Off and 0-100% dimming control Size: 1-9/16" L x 1-1/4" W x 3/8" H, Nickel Finish

**Rotary Dimmer Switch**



Item #	Description
PROROTDIM-BL	48W, 12V Rotary Dimmer with 79" Input / 8" Output Wires, On/Off and 0-100% dimming control Size: 2-1/2" L x 1-1/4" W x 1-5/8" H, Black Finish

**Round On/Off Switch**



Black Finish

Item #	Description
PRORNDON-BL	60W, 12V Round On/Off Rocker Switch w/79" Input - 6" Output Wires, Size: 3/4" Dia. Bore Hole x 5/8" Depth

A  
B  
C  
D  
E  
F  
G  
H  
I  
J  
K  
L  
M  
N  
O  
P  
Q  
R  
S  
T  
U  
V  
W  
X  
Y

**A TRESCO WHITE TUNABLE FLEXTAPE®**



2700K



3500K



6500K

Changing your light source's color temperature is easy with Tresco® Lighting's White Tunable CCT FlexTape®. Select between a warmer temperature that highlights natural wood grains and earth tones or cool to highlight whites. Eliminate the guesswork and get the LED that pairs perfectly with your general lighting and overall design.



**Features:**

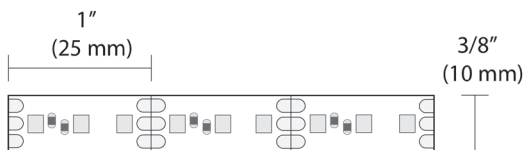
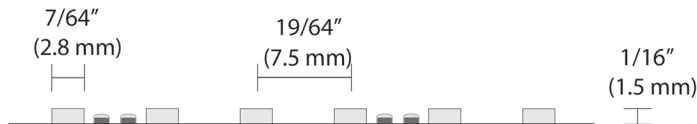
- 115-degree beam spread excellent for illuminating cabinets, displays, store fixtures and more
- High output at 345 lumens per ft.
- Cutable and linkable with simple FlexConnect connectors and DIY accessories allowing customization for your project
- Precision tuning from Warm (2700K) to Cool (6500K) with parent controller/receiver (sold separately)
- Dimmable with optional tunable wireless remote or wall dimmer (sold separately)
- Low-profile 300 LSE adhesive 3M™ backing allows versatility to install in a multitude of places
- 5-year commercial-grade warranty



3W/ft.  
(9.8W/m)



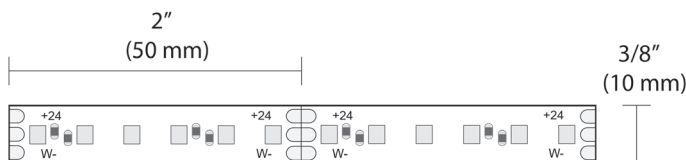
**Dimensions:**



12VDC



12VDC



24VDC

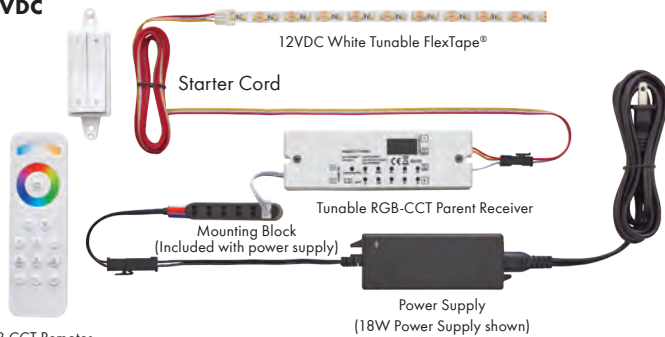


24VDC

## TRESCO WHITE TUNABLE FLEXTAPE® cont'd

### Typical Setup:

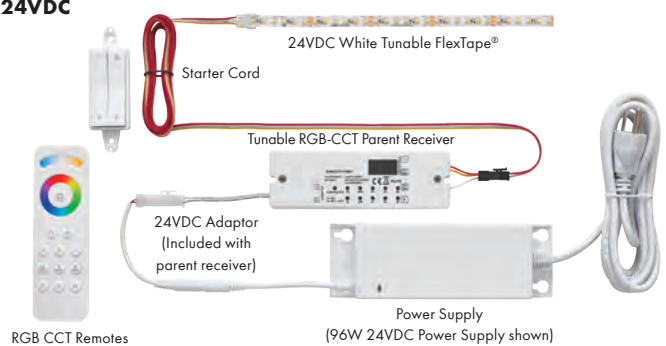
#### 12VDC



RGB CCT Remotes

NOTE: Power Supplies on pages J-47 to J-51 and accessories on pages J-22 to J-24

#### 24VDC



RGB CCT Remotes

### White Tunable (CCT) FlexTape® and Required Components

#### 12/24VDC White Tunable FlexTape®



Item #	Quick Code	Description
RVFLXTP12CCT	T667	12V, 16.4' Roll, 3W/FT
RVFLXTP24CCT	T669	24V, 16.4' Roll, 3W/FT

#### 12/24VDC CCT Starter Cord



Item #	Quick Code	Desc.
RVTPEPKT2IN-CCT	T711	2"L
RVTPEPKT2M-CCT	T701	79"L

#### 12/24VDC RGB-CCT Parent Receiver



Item #	Quick Code	Desc.
RVRGCCT1-PREC	T673	Parent Receiver

### White Tunable (CCT) FlexTape® Optional Components

#### 12/24VDC Starter CCT Extension Leads



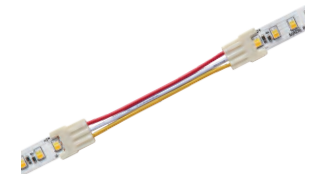
Item #	Quick Code	Desc.
RVCCTEXT-60	T659	24"L
RVCCTEXT20	T658	48"L

#### 12/24VDC RGB-CCT Child Receiver



Item #	Quick Code	Desc.
RVRGCCT1-CREC	T672	Child Receiver

#### 12/24VDC CCT Link Cords



#### 12/24VDC CCT Back-to-Back Connector



Item #	Quick Code
RVTPELNK-BTB	T479

#### 12/24VDC RGB-CCT Remotes



Item #	Quick Code	Description
RVRGCCT-RMT	T674	Wireless Remote
RVWLCCT-WH	T703	Deco Wall Dimmer, White

#### 12/24VDC CCT DIY Wire and Terminal Block



Item #	Quick Code	Desc.
RVCCTWIRE25	T660	25' 20AWG CCT Wire Roll
RVBS4PBL	T657	Barrier Splice 4 Position

Wire and terminal block can be used as a DIY option to create longer extensions.

#### 12/24VDC 6 Output Adaptor



Item #	Quick Code
RV4P6O	T656

Connects to output of parent receiver to control multiple lines of tape.

Item #	Quick Code	Desc.
RVLED-TPELNK-5	T144	2"L
RVTPELNK15-CCT	T691	6"L
RVLED-TPELNK-25	T143	10"L
RVLED-TPELNK-60	T145	24"L
RVLED-TPELNK-120	T140	48"L
RVLED-TPELNK-180	T142	72"L

NOTE: All product dimensions and specifications are subject to change without prior notice.

**A TRESCO COB FLEXTAPE®**

Chip on Board or "COB" LED tape is the latest advancement in tape lighting. With diodes directly mounted on a printed circuit board and a continuous fortified coating, this flexible, high density LED lighting strip creates our Luniform look without dark spots - no covers or filters needed!



**Features:**

- New generation of tape lighting with encapsulated diodes to protect from splashes, dust and moisture
- 115° beam angle excellent for illuminating store fixtures, backlighting, edge lighting and more
- Cutable and linkable with our standard FlexTape® link cords, tee connector and 90-degree connector
- Available in 2700K, 3000K, 3500K, 4800K or 6500K
- Low-profile 300 LSE adhesive 3M™ backing allows versatility to install in a multitude of places
- Dimmable with optional controllers (sold separately)
- 5-year commercial-grade warranty



**12VDC**



4.4W/ft.  
(14.5W/m)

245 Lumens per ft.  
(809 per meter)



**24VDC**

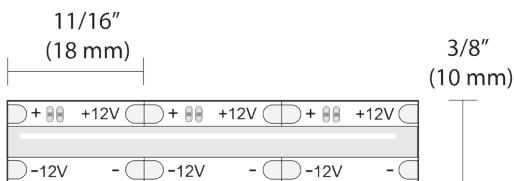


5.5W/ft.  
(18.1W/m)

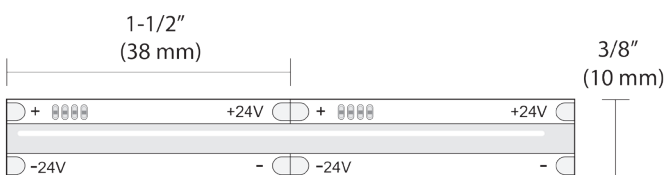
420 Lumens per ft.  
(1386 per meter)



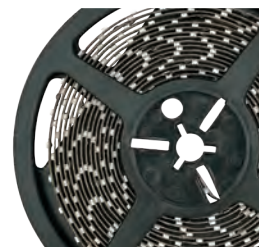
**Dimensions:**



**12VDC**



**24VDC**



Sold by the roll

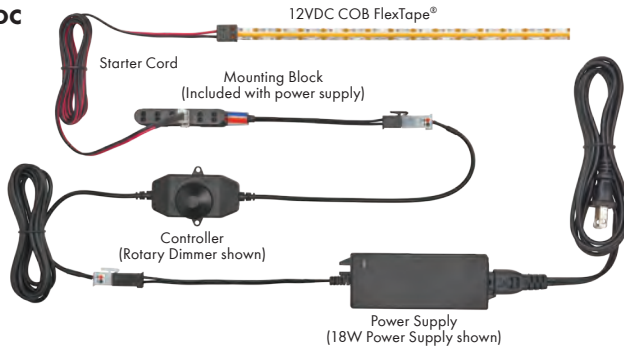


Strong 300 LSE 3M™ adhesive backing

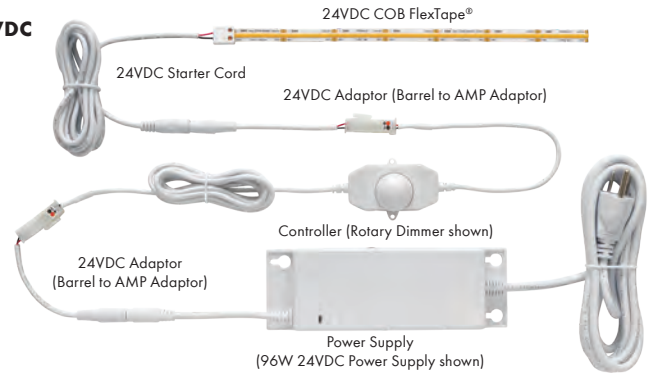
## TRESCO COB FLEXTAPE® cont'd

### Typical Setup:

#### 12VDC



#### 24VDC



NOTE: Power Supplies on pages J-47 to J-51 and accessories on pages J-22 to J-24

### 12VDC COB FlexTape® and Required Starter Cord Options

#### 12VDC COB FlexTape® 4.4W



Item #	Quick Code	Description
RVFLXCOB12-27RV	T661	12V, 13' Roll, 2700K, 4.4W/FT
RVFLXCOB12-30RV	T662	12V, 13' Roll, 3000K, 4.4W/FT
RVFLXCOB12-35RV	T716	12V, 13' Roll, 3500K, 4.4W/FT
RVFLXCOB12-48RV	T663	12V, 13' Roll, 4800K, 4.4W/FT
RVFLXCOB12-65RV	T717	12V, 13' Roll, 6500K, 4.4W/FT

#### 12VDC Starter Cord for Single Color Tape



Item #	Quick Code	Description
RVLED-TPEPKT-2M	T147	79" L Starter Cord
RVTPPEPKT2IN-CCT	T711	2" L Starter Cord

#### 12VDC Tee Starter Cord for Single Color Tape



Item #	Quick Code	Desc.
RVLED-TPEPKT-2MTEE	T180	79" L Tee Starter Cord

#### 12VDC Extension Lead (Optional)



Item #	Quick Code	Desc.
RVLED-LINKD-8	T351	3" L
RVLED-LINKD-15	T844	6" L
RVLED-LINKD-25	T194	10" L
RVLED-LINKD-60	T195	24" L
RVLED-LINKD-120	T203	48" L
RVLED-LINKD-180	T190	72" L
RVLEDLINKD-245	T447	96" L

### COB FlexTape® and Required Starter Cord Options

#### 24VDC COB FlexTape® 5.5W



Item #	Quick Code	Description
RVFLXCOB24-27RU	T664	24V, 16.4' Roll, 2700K, 5.5W/FT
RVFLXCOB24-30RU	T665	24V, 16.4' Roll, 3000K, 5.5W/FT
RVFLXCOB24-35RU	T714	24V, 16.4' Roll, 3500K, 5.5W/FT
RVFLXCOB24-48RU	T666	24V, 16.4' Roll, 4800K, 5.5W/FT
RVFLXCOB24-65RU	T715	24V, 16.4' Roll, 6500K, 5.5W/FT

#### 24VDC Starter Cord for COB



Item #	Quick Code	Description
RV24B2SPKT-2M	T648	79" L Starter Cord

#### 24VDC Tee Starter Cord for COB



Item #	Quick Code	Desc.
RV24B2SPKT2M-TEE1	T649	79" L Tee Starter Cord

#### 24VDC Extension Lead (Optional)



Item #	Quick Code	Description
RV24BBEXTM	T650	39" Barrel Extension Cord
RV24BBEXT-2M	T651	79" Barrel Extension Cord
RV24BBEXT-3M	T652	119" Barrel Extension Cord

### 12VDC – 24VDC COB FlexTape® Optional Components

#### 12/24VDC Link Cord for Single Color Tape



Item #	Quick Code	Desc.
RVLED-TPELNK-5	T144	2" L
RVLED-TPELNK-15	T141	6" L
RVLED-TPELNK-25	T143	10" L
RVLED-TPELNK-60	T145	24" L
RVLED-TPELNK-120	T140	48" L
RVLED-TPELNK-180	T142	72" L

#### 12/24VDC Tee Connector for Single Color Tape



Item #	Quick Code
RVLED-TPELNK-TEE	T146

#### 12/24VDC Right Angle Connector for Single Color Tape



Item #	Quick Code
RVLEDTPELNK-CON90	T152

#### 12/24VDC Back-to-Back Connector for COB



Item #	Quick Code
RVTPELNK-BTB	T479

NOTE: All product dimensions and specifications are subject to change without prior notice.

## A TRESKO RGB TUNABLE FLEXTAPE®

### B STANDARD

Creating dramatic lighting with 16 million color combinations is now a reality with RGB Standard color-changing FlexTape®. Created and priced for everyday projects.



### C BALANCE

RGB Balance FlexTape® goes the distance with the addition of On-Board Constant Current Regulators. By mitigating voltage drop, the On-Board Constant Current Regulators ensure a balanced color from start to finish. Created for high-end projects including residential, hospitality and commercial.

#### Features:

- 120-degree beam spread excellent for illuminating cabinets, displays, store fixtures and more
- Cutable and linkable with simple FlexConnect connectors and DIY accessories allowing customization for your project
- Precision tuning of R, G and B with parent controller/receiver (sold separately)
- Dimmable with optional tunable wireless remote or wall dimmer (sold separately)
- Low-profile 300 LSE adhesive 3M™ backing allows versatility to install in a multitude of places
- 5-year commercial-grade warranty



**4.4W/ft.**  
(14.4W/m)

**UL** US  
LISTED

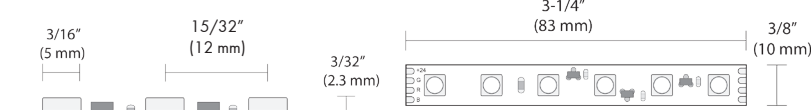
#### Dimensions:

##### 12VDC Balance



12VDC Balance

##### 24VDC Balance



24VDC Balance

##### 24VDC Standard

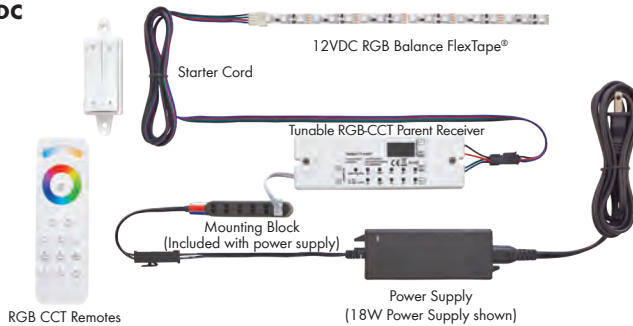


24VDC Standard

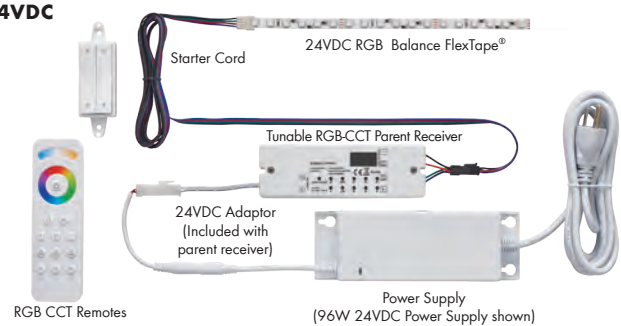
## TRESCO RGB TUNABLE COB FLEXTAPE® cont'd

### Typical Setup:

#### 12VDC



#### 24VDC



NOTE: Power Supplies on pages J-47 to J-51 and accessories on pages J-22 to J-24

### RGB Tunable FlexTape® and Required Components

#### 12/24VDC RGB Balance Tunable FlexTape®



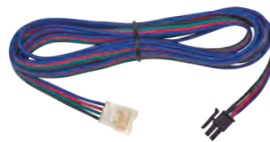
Item #	Quick Code	Description
RVFLXTPE2RGB	T668	12V, 13' Roll, 4.4W/FT
RVFLXTPE-24RGB	T712	24V, 16.4' Roll, 4.4W/FT

#### 24VDC RGB Standard FlexTape®



Item #	Quick Code	Description
RVTPELED-24RGB	T686	24V, 16.4' Roll, 4.4W/FT

#### 12/24VDC RGB Starter Cord



Item #	Quick Code	Desc.
RVTPEPKT2IN-RGB	T713	2" L Starter Cord
RVTPEPKT2M-RGB	T702	79" L Starter Cord

#### 12/24VDC RGB-CCT Parent Receiver



Item #	Quick Code	Description
RVRGBCCT1-PREC	T673	Parent Receiver

### RGB Tunable FlexTape® Optional Components

#### 12/24VDC Starter RGB Extension Leads



Item #	Quick Code	Desc.
RVRGBEXT-60	T676	24" L
RVRGBEXT20	T675	48" L

#### 12/24VDC RGB-CCT Child Receiver



Item #	Quick Code	Desc.
RVRGBCCT1-CREC	T672	Child Receiver

#### 12/24VDC RGB Back-to-Back Connector



Item #	Quick Code
RVTPELNK-BTB	T479

#### 12/24VDC RGB DIY Wire and Terminal Block



Item #	Quick Code	Desc.
RVRGBWIRE25	T677	25' 20AWG RGB Wire Roll
RVBS4PBL	T657	Barrier Splice 4 Position

Wire and terminal block can be used as a DIY option to create longer extensions.

#### 12/24VDC RGB-CCT Remotes



Item #	Quick Code	Desc.
RVRGBCCT-RMT	T674	Wireless Remote
RVWLDRGB-WH	T704	Deco Wall Dimmer, White

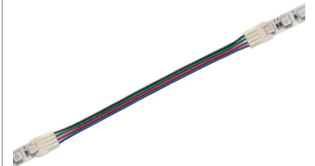
#### 12/24VDC 6 Output Adaptor



Item #	Quick Code
RV4P6O	T656

Connects to output of parent receiver to control multiple lines of tape.

#### 12/24VDC RGB Link Cords



Item #	Quick Code	Desc.
RVTPELNK5-RGB	T698	2" L
RVTPELNK15-RGB	T692	6" L
RVTPELNK25-RGB	T696	10" L
RVTPELNK60-RGB	T700	24" L
RVTPELNK120-RGB	T690	48" L
RVTPELNK180-RGB	T694	72" L

NOTE: All product dimensions and specifications are subject to change without prior notice.

## TRESCO 4W CCT POWER POKKIT & RGB-CCT ACCESSORIES



### 24 Volt 4W CCT Power Pockit

- Aluminum die cast construction w/79" cord and milk lens
- 2-1/4" Bore Hole Dia x 1/2"D
- 105-degree beam spread
- Recess or surface mount
- White Tunable from 2700K-6500K (2700K = 236 lumens / 6500K = 280 lumens)

NOTE: Power Supplies on pages J-47 to J-51 & accessories on pages J-22 to J-24



Black Item #	Quick Code	Color	Description
RVPOC-4CCT24-BL	T900	Black	24V 4W CCT Puck Light
RVPOC-4CCT24-NI	T901	Nickel	24V 4W CCT Puck Light
RVPOC-4CCT24-WH	T902	White	24V 4W CCT Puck Light



### RGB-CCT Controller/Receivers 12 VOLT / 24 VOLT

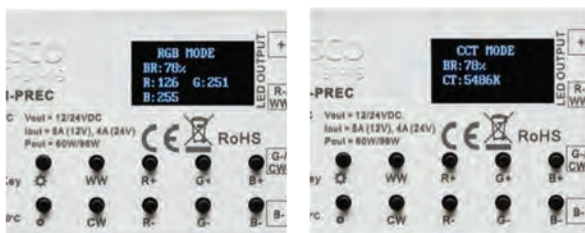


A  
(Parent)



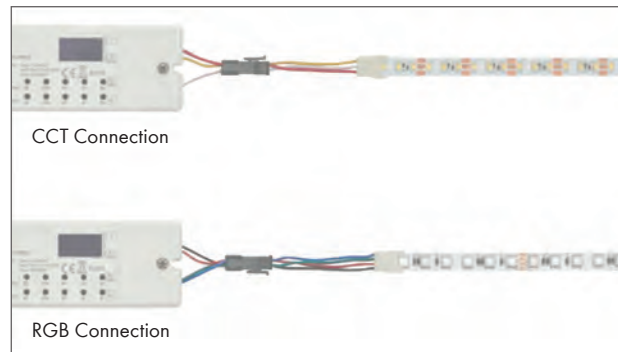
B  
(Child)

- 60W capacity (12VDC); 96W capacity (24VDC)
- Digital user interface
- Power failure memory
- Simple one-button programming of FREEDiM Series wireless controls
- Compatible Tresco® FREEDiM series RGB or CCT hand and wall controllers (sold separately)
- Works with any 12/24VDC Tresco® RGB or CCT low voltage lights
- Complete with pigtails for RGB or CCT connection
- Tuning of the RGB or Color temperature from 2700K-6500K



Display in RGB mode. RGB values can be tuned in increments of 1

Display in CCT mode. CCT values can be tuned in increments of 15-16K (Color temperature is range)

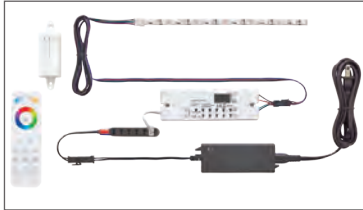


	Item #	Quick Code	Description	Size
A	RVRGBCCT1-PREC	T673	12VDC/24VDC RGB-CCT Parent Controller/Receiver	1-13/16"W x 5/8"H x 5-3/4"L
B	RVRGBCCT1-CREC	T672	12VDC/24VDC RGB-CCT Child Controller/Receiver	1-13/16"W x 5/8"H x 5-3/4"L

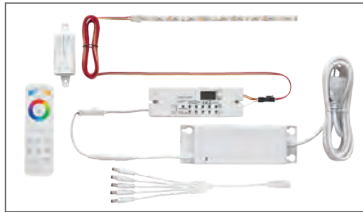


**TRESCO RGB-CCT ACCESSORIES**

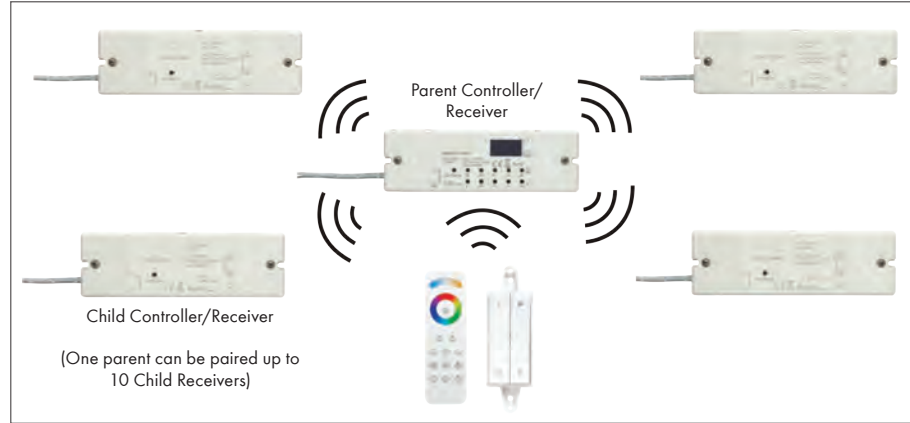
**RGB-CCT Controllers/Receivers Set Up**



12 Volt Set Up



24 Volt Set Up



**Wireless remote controls 1 parent per zone and 10 child receivers per parent**

**RGB-CCT Wall Controllers**



- (2) configurations: RGB or CCT (White tunable)
- Can be programmed with up to (1) parent and (10) child receivers
- Fits Decora® style wall plates
- 65 ft. (19 m) range of control from dimmer to receiver
- Controls all Tresco RGB or CCT low voltage lights
- RGB/CCT receivers required (sold separately)
- Long-lasting CR1625/1620 battery (included)

**CCT – White tunable**

- Easy touch warm 2700K to daylight 6500K and on/off/dimming controls

**RGB**

- Easy touch Red, Green, Blue and on/off/dimming controls

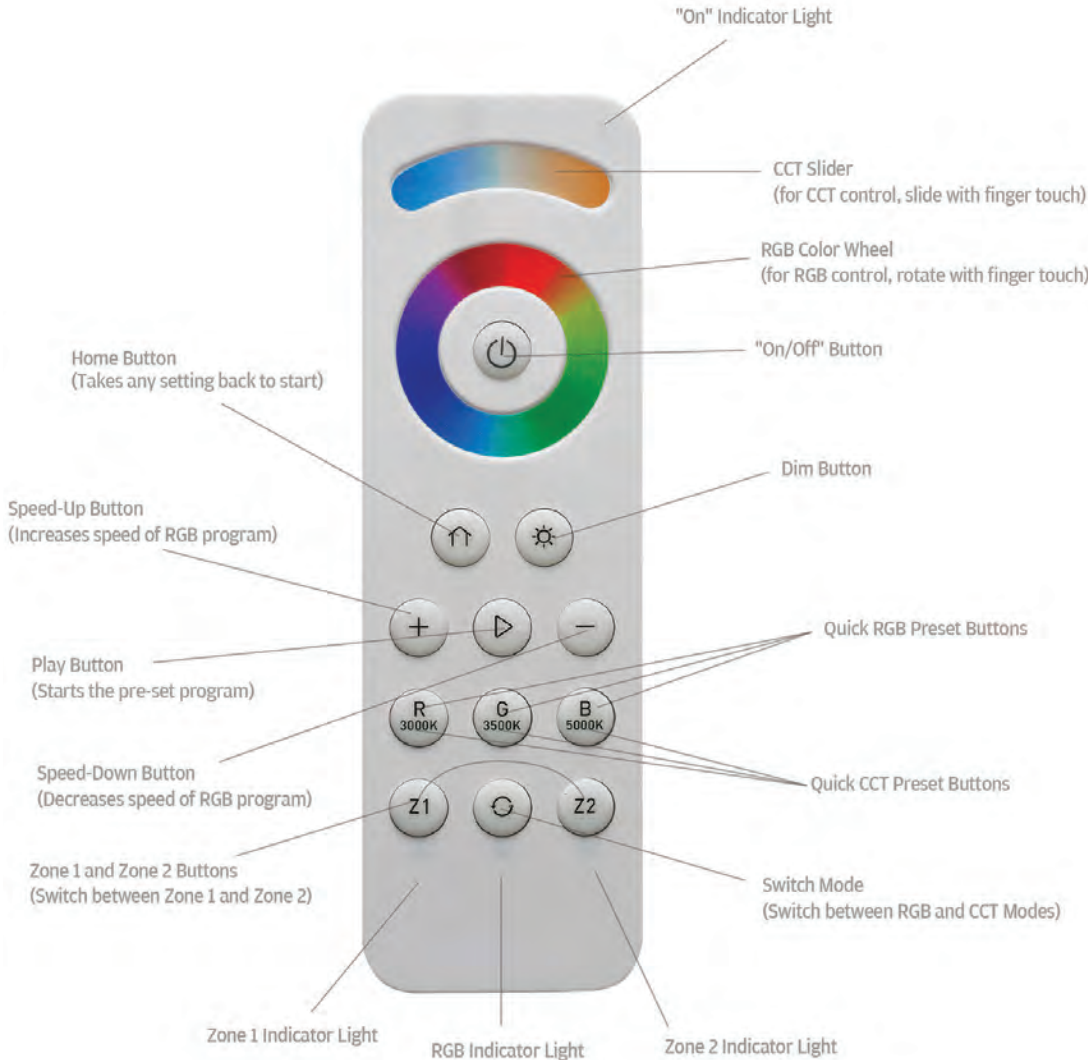


	Item #	Quick Code	Description
A	RVWDCCT-WH	T703	CCT FREEDiM Deco Wall Dimmer White
B	RVWDRGB-WH	T704	RGB FREEDiM Deco Wall Dimmer White

A  
B  
C  
D  
E  
F  
G  
H  
I  
J  
K  
L  
M  
N  
O  
P  
Q  
R  
S  
T  
U  
V  
W  
X  
Y

**A TRESCO RGB-CCT ACCESSORIES**

**B RGB-CCT Wireless Remote**



- Intuitive and ergonomic design
- Can control RGB and CCT
- Touch control for color mixing
- Quick set buttons for common CCT and static RGB values
- Program up to (2) separate zones and control independently
- (10) preset RGB sequences with speed control (i.e. fade in, fade out)
- A single remote can control 1 parent and 10 child receivers per zone



Item #	Quick Code	Description	Size
RVRGBCCT-RMT	T674	RGB-CCT Wireless Hand Remote	1-23/32"W x 5-17/32"L

## TRESCO CABINET SIZED LED LIGHT KITS

# TRESCO'S CABINET SIZED LED LINEAR LIGHT KITS ARE EASY!



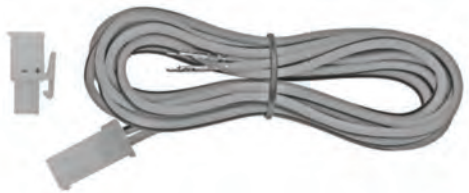
### Easy Sizes

Tresco's Cabinet Sized LED Linear Lights are sized specifically to fit your cabinets. One light per cabinet, no more dark spots.



### Easy Kits

Tresco Cabinet Sized Light Kits have all the components needed to install. Kits include: (1) Aluminum LED Linear Light w/3" Input & 3" Output Cords, (2) 72" Extension Cords, (2) Mounting Clips, (2) Magnets, and (1) Milk Diffuser.



### Extra 72" L Extension Wire

An extra wire extension is also included just in case you need it. Installers will never be short of what they need, when they need it.



### Easy Packaging

A wall 18" cabinet will use a W18-XXXX light. Installers will immediately know what light goes with what cabinet.



**3M VHB™**

### Easy Mounting

Light kits mount magnetically to metal mounting plates (included) and adhere to the cabinet with 3M VHB tape or you can mount with the included screw-in clips.

A

B

C

D

E

F

G

H

I

J

K

L

M

N

O

P

Q

R

S

T

U

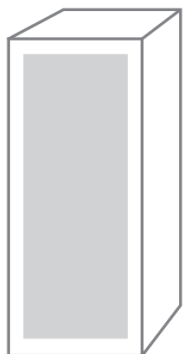
V

W

X

Y

**A TRESKO CABINET SIZED LED LIGHT KITS**



**9"W - 18"W Face Frame Wall Cabinets**



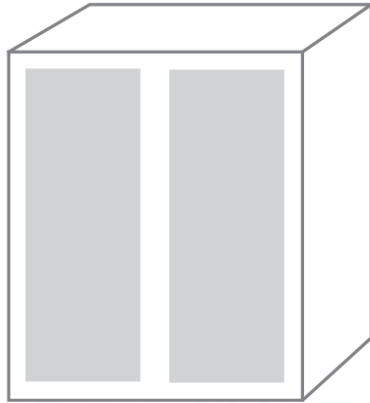
- Cabinet Sized LED Linear Lights for 9"W - 18"W Face Frame Wall Cabinets
  - Package is labeled with the cabinet size the fixture is designed to fit
  - Maximum Continuous Run: 16 Feet (192")
  - Dimmable by using low voltage dimmer switches and LED Wall Dimmer Switches
  - Bulb Life: 50,000 Hours
  - 12 Volt, Beam Spread: 120°
  - Lumens Per Foot: 150
  - Made of Aluminum (aluminum acts as a heat sink to extend the life of the LEDs)
  - Surface Mounted
- Kit Includes:**
- (1) Aluminum LED Linear Light w/3"Input & 3"Output Cords (Attached)
  - (2) 72" Extension Cords
  - (2) Mounting Clips
  - (2) Magnets
  - (1) Milk Diffuser
- Required Component:** Power Supply
- Optional Associated Items: linkable cords, dimmer switches, and ON/OFF switch available (sold separately)
  - Sold In: Per Kit

Item #	Quick Code	Fits Face Frame Wall Cabinet	Light Length	Watts	Light Fixture Size	Color Temp.	Light Color	Finish
RVW9-XSQRSCN1	T583	9"W	7"L	1.75	7"L x 11/16"W x 1/2"H	3500K	Neutral	Satin Nickel
RVW12-XSQRSCN1	T584	12"W	10"L	2.50	10"L x 11/16"W x 1/2"H	3500K	Neutral	Satin Nickel
RVW15-XSQRSCN1	T585	15"W	13"L	3.25	13"L x 11/16"W x 1/2"H	3500K	Neutral	Satin Nickel
RVW18-XSQRSCN1	T586	18"W	16"L	4.00	16"L x 11/16"W x 1/2"H	3500K	Neutral	Satin Nickel

NOTE: Power Supplies on pages J-47 to J-51 and accessories on pages J-52 to J-64

A  
B  
C  
D  
E  
F  
G  
H  
I  
J  
K  
L  
M  
N  
O  
P  
Q  
R  
S  
T  
U  
V  
W  
X  
Y

## TRESCO CABINET SIZED LED LIGHT KITS



### 21" W - 48" W Face Frame Wall Cabinets



- Cabinet Sized LED Linear Lights for 21" W - 48" W Face Frame Wall Cabinets
- Package is labeled with the cabinet size the fixture is designed to fit
- Maximum Continuous Run: 16 Feet (192")
- Dimmable by using low voltage dimmer switches and LED Wall Dimmer Switches
- Bulb Life: 50,000 Hours
- 12 Volt, Beam Spread: 120°
- Lumens Per Foot: 150
- Made of Aluminum (aluminum acts as a heat sink to extend the life of the LEDs)
- Surface Mounted

**Kit Includes:**

- (1) Aluminum LED Linear Light w/3" Input & 3" Output Cords (Attached)
- (2) 72" Extension Cords
- (2) Mounting Clips
- (2) Magnets
- (1) Milk Diffuser

**Required Component:** Power Supply

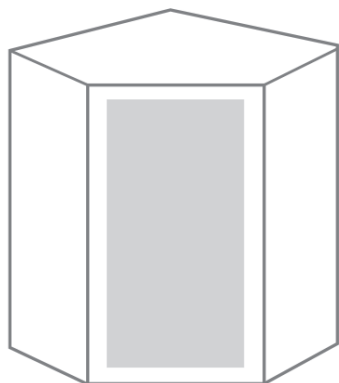
- Optional Associated Items: linkable cords, dimmer switches, and ON/OFF switch available (sold separately)
- Sold In: Per Kit

Item #	Quick Code	Fits Face Frame Wall Cabinet	Light Length	Watts	Light Fixture Size	Color Temp.	Light Color	Finish
RVW21-XSQRSCN1	T587	21"W	19"L	4.75	19"L x 1 1/16"W x 1/2"H	3500K	Neutral	Satin Nickel
RVW24-XSQRSCN1	T588	24"W	22"L	5.50	22"L x 1 1/16"W x 1/2"H	3500K	Neutral	Satin Nickel
RVW27-XSQRSCN1	T589	27"W	25"L	6.25	25"L x 1 1/16"W x 1/2"H	3500K	Neutral	Satin Nickel
RVW30-XSQRSCN1	T590	30"W	28"L	7.00	28"L x 1 1/16"W x 1/2"H	3500K	Neutral	Satin Nickel
RVW33-XSQRSCN1	T591	33"W	31"L	7.75	31"L x 1 1/16"W x 1/2"H	3500K	Neutral	Satin Nickel
RVW36-XSQRSCN1	T592	36"W	34"L	8.50	34"L x 1 1/16"W x 1/2"H	3500K	Neutral	Satin Nickel
RVW39-XSQRSCN1	T593	39"W	37"L	9.25	37"L x 1 1/16"W x 1/2"H	3500K	Neutral	Satin Nickel
RVW42-XSQRSCN1	T594	42"W	40"L	10.00	40"L x 1 1/16"W x 1/2"H	3500K	Neutral	Satin Nickel
RVW45-XSQRSCN1	T595	45"W	43"L	10.75	43"L x 1 1/16"W x 1/2"H	3500K	Neutral	Satin Nickel
RVW48-XSQRSCN1	T596	48"W	46"L	11.50	46"L x 1 1/16"W x 1/2"H	3500K	Neutral	Satin Nickel

NOTE: Power Supplies on pages J-47 to J-51 and accessories on pages J-52 to J-64

A  
B  
C  
D  
E  
F  
G  
H  
I  
J  
K  
L  
M  
N  
O  
P  
Q  
R  
S  
T  
U  
V  
W  
X  
Y

**A TRESKO CABINET SIZED LED LIGHT KITS**



**24" W & 27" W Face Frame Wall Angled Corner Cabinets**



- Cabinet Sized LED Linear Lights for 24" W & 27" W Face Frame Wall Angled Corner Cabinets
- Package is labeled with the cabinet size the fixture is designed to fit
- Maximum Continuous Run: 16 Feet (192")
- Dimmable by using low voltage dimmer switches and LED Wall Dimmer Switches
- Bulb Life: 50,000 Hours
- 12 Volt, Beam Spread: 120°
- Lumens Per Foot: 150
- Made of Aluminum (aluminum acts as a heat sink to extend the life of the LEDs)
- Surface Mounted

**Kit Includes:**

- (1) Aluminum LED Linear Light w/3" Input & 3" Output Cords (Attached)
- (2) 72" Extension Cords
- (2) Mounting Clips
- (2) Magnets
- (1) Milk Diffuser

**Required Component:** Power Supply

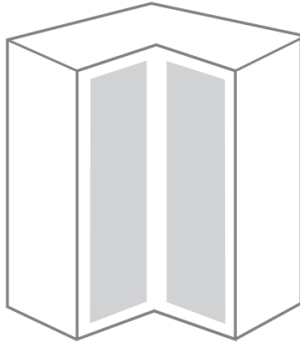
- Optional Associated Items: linkable cords, dimmer switches, and ON/OFF switch available (sold separately)
- Sold In: Per Kit

Item #	Quick Code	Fits Face Frame Wall Cabinet	Light Length	Watts	Light Fixture Size	Color Temp.	Light Color	Finish
RVWAC24-XSQRSCN1	T597	24"W	22"L	5.50	22"L x 11/16"W x 1/2"H	3500K	Neutral	Satin Nickel
RVWAC27-XSQRSCN1	T598	27"W	25"L	6.25	25"L x 11/16"W x 1/2"H	3500K	Neutral	Satin Nickel

NOTE: Power Supplies on pages J-47 to J-51 and accessories on pages J-52 to J-64

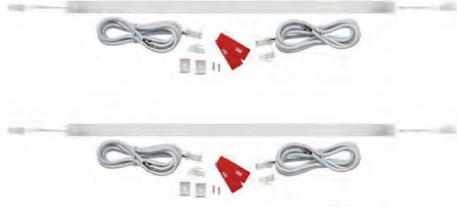
A  
B  
C  
D  
E  
F  
G  
H  
I  
J  
K  
L  
M  
N  
O  
P  
Q  
R  
S  
T  
U  
V  
W  
X  
Y

**TRESCO CABINET SIZED LED LIGHT KITS**



**24" W Face Frame Wall Square Corner Cabinet**

- Cabinet Sized LED Linear Lights for 24" W Face Frame Wall Square Corner Cabinet
- Package is labeled with the cabinet size the fixture is designed to fit
- Maximum Continuous Run: 16 Feet (192")
- Dimmable by using low voltage dimmer switches and LED Wall Dimmer Switches
- Bulb Life: 50,000 Hours
- 12 Volt, Beam Spread: 120°
- Lumens Per Foot: 150
- Made of Aluminum (aluminum acts as a heat sink to extend the life of the LEDs)
- Surface Mounted



- **Kit Includes:**
  - (2) Aluminum LED Linear Light w/3" Input & 3" Output Cords (Attached)
  - (4) 72" Extension Cords
  - (4) Mounting Clips
  - (4) Magnets
  - (2) Milk Diffuser
- **Required Component:** Power Supply
- Optional Associated Items: linkable cords, dimmer switches, and ON/OFF switch available (sold separately)
- Sold In: Per Kit

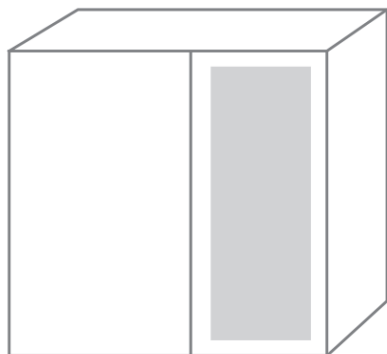
Item #	Quick Code	Fits Face Frame Wall Cabinet	Light Length	Watts	Light Fixture Size	Color Temp.	Light Color	Finish
RVWSC24-XSQRSCN1	T599	24"W	10"L	2.50	10"L x 11/16"W x 1/2"H	3500K	Neutral	Satin Nickel

NOTE: Power Supplies on pages J-47 to J-51 and accessories on pages J-52 to J-64

A  
B  
C  
D  
E  
F  
G  
H  
I  
J  
K  
L  
M  
N  
O  
P  
Q  
R  
S  
T  
U  
V  
W  
X  
Y

A  
B  
C  
D  
E  
F  
G  
H  
I  
J  
K  
L  
M  
N  
O  
P  
Q  
R  
S  
T  
U  
V  
W  
X  
Y

**CABINET SIZED LED LIGHT KITS**



**24" W Face Frame Wall Square Blind Corner Cabinet**

- Cabinet Sized LED Linear Lights for 24" W - 30" W Face Frame Wall Blind Corner Cabinets
- Package is labeled with the cabinet size the fixture is designed to fit
- Maximum Continuous Run: 16 Feet (192")
- Dimmable by using low voltage dimmer switches and LED Wall Dimmer Switches
- Bulb Life: 50,000 Hours
- 12 Volt, Beam Spread: 120°
- Lumens Per Foot: 150
- Made of Aluminum (aluminum acts as a heat sink to extend the life of the LEDs)
- Surface Mounted



- **Kit Includes:**
  - (1) Aluminum LED Linear Light w/3" Input & 3" Output Cords (Attached)
  - (2) 72" Extension Cords
  - (2) Mounting Clips
  - (2) Magnets
  - (1) Milk Diffuser
- **Required Component:** Power Supply
- Optional Associated Items: linkable cords, dimmer switches, and ON/OFF switch available (sold separately)
- Sold In: Per Kit

Item #	Quick Code	Fits Face Frame Wall Cabinet	Light Length	Watts	Light Fixture Size	Color Temp.	Light Color	Finish
RVWBC24-XSQRSCN1	T600	24"W	22"L	5.50	22"L x 1 1/16"W x 1/2"H	3500K	Neutral	Satin Nickel
RVWBC27-XSQRSCN1	T601	27"W	25"L	6.25	25"L x 1 1/16"W x 1/2"H	3500K	Neutral	Satin Nickel
RVWBC30-XSQRSCN1	T602	30"W	28"L	7.00	30"L x 1 1/16"W x 1/2"H	3500K	Neutral	Satin Nickel

NOTE: Power Supplies on pages J-47 to J-51 and accessories on pages J-52 to J-64



**TRESCO® INFINEX**

# HOW TO ORDER INFINEX



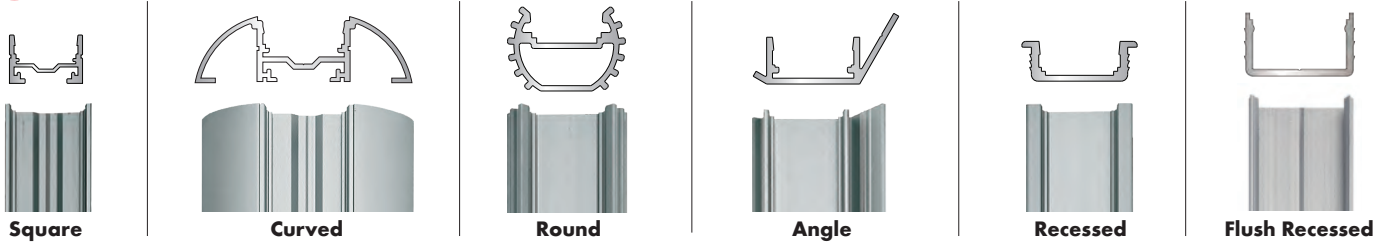
- 1 CHOOSE YOUR ALUMINUM CHANNEL STYLE & FINISH**
- 2 CHOOSE YOUR DIFFUSERS**
- 3 CHOOSE YOUR LED TAPE**
- 4 CHOOSE YOUR END CAPS & STARTER CORD**
- 5 CUT TO SIZE & ASSEMBLE**
- 6 OPTIONS**

A
B
C
D
E
F
G
H
I
J
K
L
M
N
O
P
Q
R
S
T
U
V
W
X
Y

A  
B  
C  
D  
E  
F  
G  
H  
I  
J  
K  
L  
M  
N  
O  
P  
Q  
R  
S  
T  
U  
V  
W  
X  
Y

**TRESCO® INFINEX**

**1 CHOOSE YOUR ALUMINUM CHANNEL STYLE & FINISH**



**72" (1.8m) Extruded Aluminum Channels**

Shape	Clear Aluminum Item #	Quick Code	White Item #	Quick Code	Black Item #	Quick Code
Square	RVXSQR72-SC	T394	RVXSQR72-WH	T552	RVXSQR72-BL	T551
Curved	RVXCRV72-SC	T405	RVXCRV72-WH	T827	RVXCRV72-BL	T828
Round	RVXRND72-SC	T397	-	-	RVXRND72-BL	T829
Angle	RVXANG72-SC	T407	RVXANG72-WH	T830	-	-
Recessed	RVXREC72-SC	T401	-	-	RVXREC72-BL	T582
Flush Recessed (Includes Milk Diffuser)	RVXFL72-SC-10	T546				

**94" Extruded Aluminum Channel**

Flushed Recessed (Includes Milk Diffuser)	RVXFL96-SC	T547
---	------------	------

**2 CHOOSE YOUR DIFFUSERS**

**Clear Diffuser**



1.5W FlexTape



3W FlexTape



4.4W FlexTape

**Frosted Diffuser**



1.5W FlexTape



3W FlexTape



4.4W FlexTape

**Milk Diffuser**



1.5W FlexTape

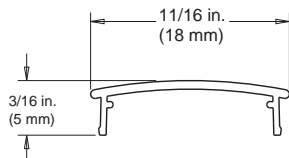


3W FlexTape



4.4W FlexTape

**Diffusers**



Required Items		
Item #	Quick Code	Description
RVX72-DIFF-CL	T409	72" (1.8 m) Diffuser Clear
RVX72-DIFF-FR	T408	72" (1.8 m) Diffuser Frosted
RVX72-DIFF-MLK	T544	72" (1.8m) Diffuser Milk

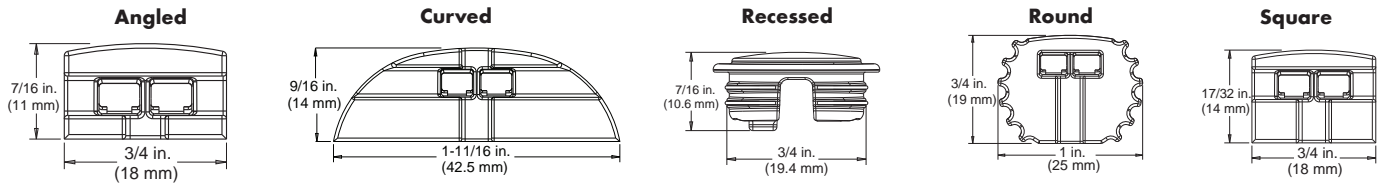
**TRESCO® INFINEX**

**3 CHOOSE FLEXTAPE**

(See Tape options on pages J-35 - J-39)



**4 CHOOSE END CAPS, STARTER CORD & LINKING CORDS**



End Caps for Extruded Aluminum Channels						
Shape	Gray Finish Item #	Quick Code	White Finish Item #	Quick Code	Black Finish Item #	Quick Code
Angled	RVXANGECP-GY	T406	RVXANGECP-WH	T831	-	-
Curved	RVXCRVECP-GY	T404	RVXCRVECP-WH	T832	RVXCRVECP-BL	T833
Recessed	RV-XRECECP-GY	T400	-	-	RV-XRECECP-BL	T834
Round	RV-XRNDECP-GY	T396	-	-	RV-XRNDECP-BL	T835
Square	RV-XSQRECP-GY	T393	RVXSQRECP-WH	T554	RV-XSQRECP-BL	T553



**79" (2 m) Starter Cord**

Black Finish Item #	Quick Code	White Finish Item #	Quick Code
RVXPKT-2M-BL	T403	RVXPKT-2M-WH	T402



**Linking Cords**

White Finish Item #	Quick Code	Black Finish Item #	Quick Code	Description
RVXLNK-WH	T484	RVXLNK-BL	T489	15 cm (6") Length
RVXLNK-25-WH	T485	RVXLNK-25-BL	T490	25 cm (10") Length
RVXLNK-60-WH	T486	RVXLNK-60-BL	T491	60 cm (24") Length
RVXLNK-120-WH	T487	RVXLNK-120-BL	T492	120 cm (48") Length
RVXLNK-180-WH	T488	RVXLNK-180-BL	T493	180 cm (72") Length

A  
B  
C  
D  
E  
F  
G  
H  
I  
**J**  
K  
L  
M  
N  
O  
P  
Q  
R  
S  
T  
U  
V  
W  
X  
Y

**A TRESKO® INFINEX**

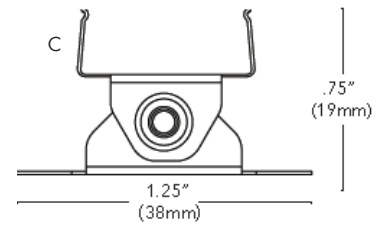
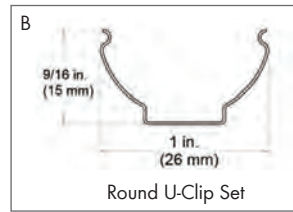
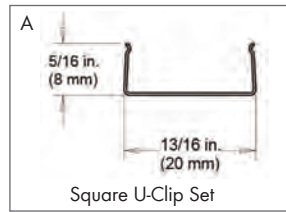
**5 CUT TO SIZE & ASSEMBLE**



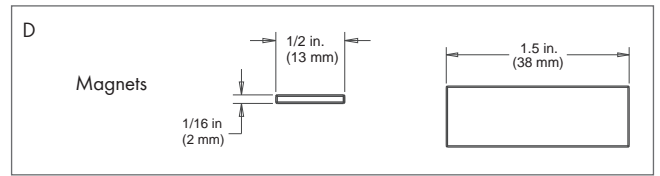
Aluminum extrusions can be cut on a variety of equipment. For the best performance and longest life, use a saw blade designed for non-ferrous, thin stock, on your miter saw. It is also highly recommended to cut extrusion with diffuser securely attached via clamps, tape, stretch wrap etc. to prevent unwanted cracking of diffuser.

**6 OPTIONS**

**U-Clips/Magnets**



	Item #	Quick Code	Description
A	RVXSQRSWCLP	T555	Square/Curved U-Clips Set (2 Clips)
B	RV-XRND-UCLP	T398	Round U-Clips Set (2 Clips)
C	RV-XSQR-UCLP	T395	Swivel Clips Set (2 Clips)
D	RV-XRM42-155	T399	Set of 2 Magnets



**Back-to-Back Connectors**

- Used with Square & Curved Channels Only
- 10 Per Pack

Item #	Quick Code	Description
RVEXTBTB10	T545	Back-to-Back Connectors (10 Per Pack)

## TRESCO® FLEXTAPE 1.5W



Sold by roll

**Specifications:**

- Lumens: 150 per ft. (492 per m)
- Lamp Life: 50,000 Hours
- Mounting: Surface
- Warranty: 5 years
- Beam Angle: 115°
- Maximum continuous run in 20'
- Maximum per power supply is 40'
- Cutable every 2"
- To be used on clean, smooth surfaces



**Front**  
3/8"  
(10 mm)

**Back**



Required Items		
Item #	Quick Code	Description
RVLEDFLXTPE-WROLL	T151	1.5W Per Foot, 20' FlexTape Roll, 2700K
RVLEDFLXTPE-NROLL	T445	1.5W Per Foot, 20' FlexTape Roll, 3500K
RVLEDFLXTPE-CROLL	T150	1.5W Per Foot, 20' FlexTape Roll, 4800K
RVLEDFLXTPE-DROLL	T823	1.5W Per Foot, 20' FlexTape Roll, 6500K

**FlexTape 1.5W works with all TreSCO 12VDC power supplies.**

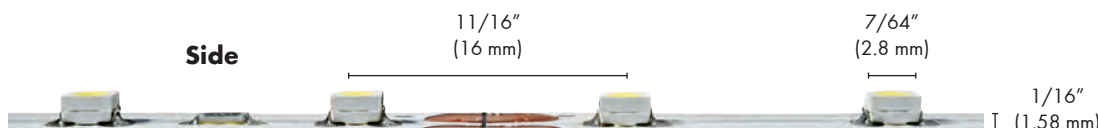
Required Items		
Item #	Quick Code	Description
RVTPEPKT-2IN1	T824	2" 12VDC FlexTape Straight Starter Lead
RVLED-TPEPKT-2M	T147	79" (2 m) 12VDC FlexTape Straight Starter Lead
RVLED-TPEPKT-2MTEE	T180	79" (2 m) 12VDC FlexTape Tee Starter Lead

Optional Items		
Item #	Quick Code	Description
RVTPELNK-BTB	T479	Back-to-Back Connector
RVLED-TPELNK-TEE	T146	Tee Link Connector
RVLEDTPELNK-CON90	T152	90° Link Connector

Cutable every 2" (50 mm)

Item #	Quick Code	Description
RVLED-TPELNK-5	T144	2" (5 cm) 12VDC FlexTape Link Cord
RVLED-TPELNK-15	T141	6" (15 cm) 12VDC FlexTape Link Cord
RVLED-TPELNK-25	T143	10" (25 cm) 12VDC FlexTape Link Cord
RVLED-TPELNK-60	T145	24" (60 cm) 12VDC FlexTape Link Cord
RVLED-TPELNK-120	T140	48" (120 cm) 12VDC FlexTape Link Cord
RVLED-TPELNK-180	T142	72" (180 cm) 12VDC FlexTape Link Cord

NOTE: Power Supplies on pages J-47 to J-51 and accessories on pages J-52 to J-64



A  
B  
C  
D  
E  
F  
G  
H  
I  
J  
K  
L  
M  
N  
O  
P  
Q  
R  
S  
T  
U  
V  
W  
X  
Y

**A TRESCO® FLEXTAPE 3W**



Sold by roll

**Specifications:**

- Lumens: 365 per ft. (1197 per m)
- Lamp Life: 50,000 Hours
- Mounting: Surface
- Warranty: 5 years
- Beam Angle: 120°
- Maximum continuous run in 20'
- Maximum per power supply is 40'
- Cuttable every 2"
- To be used on clean, smooth surfaces



**Front**

3/8"  
(10 mm)

**Back**



Cuttable every 2" (49 mm)

Required Items		
Item #	Quick Code	Description
RVLED-FLXTPE-WRHO	T318	3W Per Foot, 16.4' FlexTape Roll, 2700K
RVLED-FLXTPE-NRHO	T444	3W Per Foot, 16.4' FlexTape Roll, 3500K
RVLED-FLXTPE-CRHO	T319	3W Per Foot, 16.4' FlexTape Roll, 4800K
RVLED-FLXTPE-DRHO	T825	3W Per Foot, 16.4' FlexTape Roll, 6500K

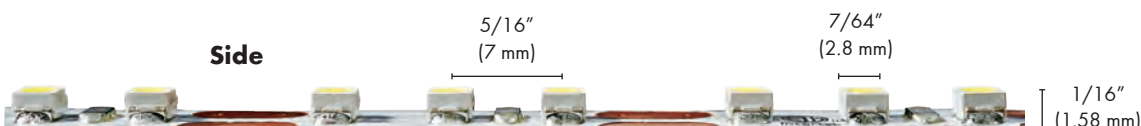
**FlexTape 3W works with all TreSCO 12VDC power supplies.**

Required Items		
Item #	Quick Code	Description
RVTPEPKT-2IN1	T824	2" 12VDC FlexTape Straight Starter Lead
RVLED-TPEPKT-2M	T147	79" (2 m) 12VDC FlexTape Straight Starter Lead
RVLED-TPEPKT-2MTEE	T180	79" (2 m) 12VDC FlexTape Tee Starter Lead

Optional Items		
Item #	Quick Code	Description
RVTPELNK-BTB	T479	Back-to-Back Connector
RVLED-TPELNK-TEE	T146	Tee Link Connector
RVLED-TPELNK-CON90	T152	90° Link Connector

Item #	Quick Code	Description
RVLED-TPELNK-5	T144	2" (5 cm) 12VDC FlexTape Link Cord
RVLED-TPELNK-15	T141	6" (15 cm) 12VDC FlexTape Link Cord
RVLED-TPELNK-25	T143	10" (25 cm) 12VDC FlexTape Link Cord
RVLED-TPELNK-60	T145	24" (60 cm) 12VDC FlexTape Link Cord
RVLED-TPELNK-120	T140	48" (120 cm) 12VDC FlexTape Link Cord
RVLED-TPELNK-180	T142	72" (180 cm) 12VDC FlexTape Link Cord

NOTE: Power Supplies on pages J-47 to J-51 and accessories on pages J-52 to J-64



## TRESCO® FLEXTAPE 4.4W



Sold by roll

**Specifications:**

- Lumens: 420 per ft. (2017 per m)
- Lamp Life: 50,000 Hours
- Mounting: Surface
- Warranty: 5 years
- Beam Angle: 115°
- Maximum continuous run in 13'
- Maximum per power supply is 13'
- Cuttable every 2"
- To be used on clean, smooth surfaces



Front  
3/8"  
(10 mm)

Back



Cuttable every  
2" (50 mm)

Required Items		
Item #	Quick Code	Description
RVFLXTPE-WRV	T411	4.4W Per Foot, 13' FlexTape Roll, 2700K
RVFLXTPE-NRV	T438	4.4W Per Foot, 13' FlexTape Roll, 3500K
RVFLXTPE-CRV	T846	4.4W Per Foot, 13' FlexTape Roll, 4800K
RVFLXTPE-DRV	T826	4.4W Per Foot, 13' FlexTape Roll, 6500K

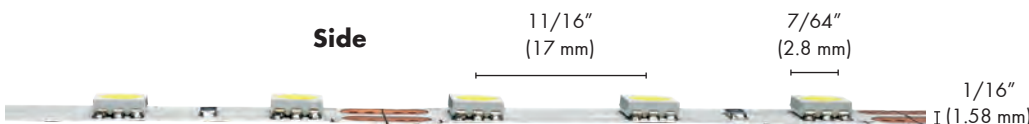
FlexTape 4.4W works with all TreSCO 12VDC power supplies.

Required Items		
Item #	Quick Code	Description
RVTPEPKT-2IN1	T824	2" 12VDC FlexTape Straight Starter Lead
RVLED-TPEPKT-2M	T147	79" (2 m) 12VDC FlexTape Straight Starter Lead
RVLED-TPEPKT-2MTEE	T180	79" (2 m) 12VDC FlexTape Tee Starter Lead

Optional Items		
Item #	Quick Code	Description
RVTPELNK-BTB	T479	Back-to-Back Connector
RVLED-TPELNK-TEE	T146	Tee Link Connector
RVLED-TPELNK-CON90	T152	90° Link Connector

Item #	Quick Code	Description
RVLED-TPELNK-5	T144	2" (5 cm) 12VDC FlexTape Link Cord
RVLED-TPELNK-15	T141	6" (15 cm) 12VDC FlexTape Link Cord
RVLED-TPELNK-25	T143	10" (25 cm) 12VDC FlexTape Link Cord
RVLED-TPELNK-60	T145	24" (60 cm) 12VDC FlexTape Link Cord
RVLED-TPELNK-120	T140	48" (120 cm) 12VDC FlexTape Link Cord
RVLED-TPELNK-180	T142	72" (180 cm) 12VDC FlexTape Link Cord

NOTE: Power Supplies on pages J-47 to J-51 and accessories on pages J-52 to J-64



**A TRESCO® EQUILINE TAPE LED 1.5W**



**Specifications:**

- Input Voltage: 12VDC
- Lamp Life: 25,000 Hours
- Mounting: Surface
- Warranty: 2 years
- Maximum continuous run in 20'
- Maximum per power supply is 40'
- Cutable every 2"
- To be used on clean, smooth surfaces



Sold by roll

Required Items		
Item #	Quick Code	Description
RV-TPELED-27SER	T415	1.5W Per Foot, 20' Equiline FlexTape Roll, 2700K
RV-TPELED-35SER	T474	1.5W Per Foot, 20' Equiline FlexTape Roll, 3500K
RV-TPELED-48SER	T413	1.5W Per Foot, 20' Equiline FlexTape Roll, 4800K
RV-TPELED-65SER	T843	1.5W Per Foot, 20' Equiline FlexTape Roll, 6500K

**EquiLine Tape 1.5W works with all TreSCO 12VDC power supplies.**

Required Items		
Item #	Quick Code	Description
RVTPEPKT-2IN1	T824	2" 12VDC Straight Starter Lead
RVLED-TPEPKT-2M	T147	79" (2 m) 12VDC Straight Starter Lead
RVLED-TPEPKT-2MTEE	T180	79" (2 m) 12VDC Tee Starter Lead

Optional Items		
Item #	Quick Code	Description
RVTPELNK-BTB	T479	Back-to-Back Connector
RVLED-TPELNK-TEE	T146	Tee Link Connector
RVLED-TPELNK-CON90	T152	90° Link Connector

Item #	Quick Code	Description
RVLED-TPELNK-5	T144	2" (5 cm) 12VDC FlexTape Link Cord
RVLED-TPELNK-15	T141	6" (15 cm) 12VDC FlexTape Link Cord
RVLED-TPELNK-25	T143	10" (25 cm) 12VDC FlexTape Link Cord
RVLED-TPELNK-60	T145	24" (60 cm) 12VDC FlexTape Link Cord
RVLED-TPELNK-120	T140	48" (120 cm) 12VDC FlexTape Link Cord
RVLED-TPELNK-180	T142	72" (180 cm) 12VDC FlexTape Link Cord

NOTE: Power Supplies on pages J-47 to J-51 and accessories on pages J-52 to J-64

Front

3/8"  
(10 mm)

Back

Cutable every  
2" (50 mm)



Side

11/16"  
(16 mm)

9/64"  
(3.5 mm)

1/16"  
(1.58 mm)



## TRESCO® EQUILINE TAPE LED 3W



Sold by roll

**Specifications:**

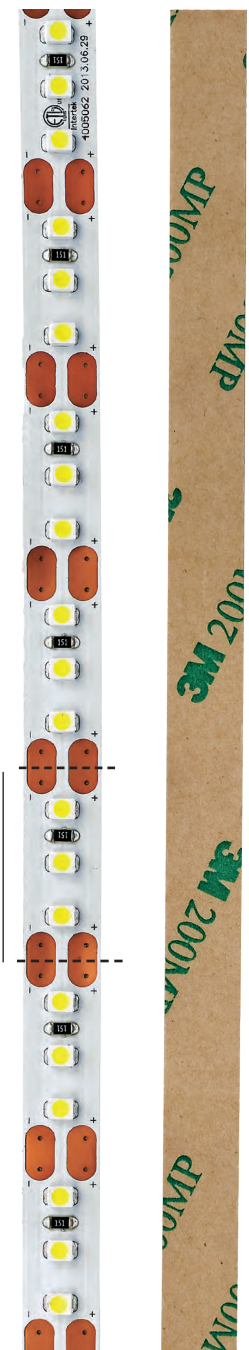
- Input Voltage: 12VDC
- Lamp Life: 25,000 Hours
- Mounting: Surface
- Warranty: 2 years
- Maximum continuous run in 16.4'
- Maximum per power supply is 20'
- Cuttable every 1"
- To be used on clean, smooth surfaces



Front

3/8"  
(10 mm)

Back



Cuttable every  
1" (25 mm)

Required Items		
Item #	Quick Code	Description
RVTPELED-27HER	T416	3W Per Foot, 16.4' EquiLine FlexTape Roll, 2700K
RVTPELED-35HER	T473	3W Per Foot, 16.4' EquiLine FlexTape Roll, 3500K
RVTPELED-48HER	T414	3W Per Foot, 16.4'T EquiLine FlexTape Roll, 4800K
RVTPELED-65HER	T420	3W Per Foot, 16.4'T EquiLine FlexTape Roll, 6500K

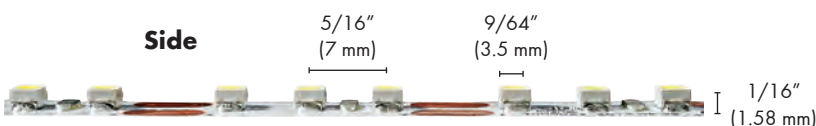
EquiLine Tape 3W works with all Treco 12VDC power supplies.

Required Items		
Item #	Quick Code	Description
RVTPEPKT-2IN1	T824	2" 12VDC Straight Starter Lead
RVLED-TPEPKT-2M	T147	79" (2 m) 12VDC Straight Starter Lead
RVLED-TPEPKT-2MTEE	T180	79" (2 m) 12VDC Tee Starter Lead

Optional Items		
Item #	Quick Code	Description
RVTPELNK-BTB	T479	Back-to-Back Connector
RVLED-TPELNK-TEE	T146	Tee Link Connector
RVLEDTPELNK-CON90	T152	90° Link Connector

Item #	Quick Code	Description
RVLED-TPELNK-5	T144	2" (5 cm) 12VDC FlexTape Link Cord
RVLED-TPELNK-15	T141	6" (15 cm) 12VDC FlexTape Link Cord
RVLED-TPELNK-25	T143	10" (25 cm) 12VDC FlexTape Link Cord
RVLED-TPELNK-60	T145	24" (60 cm) 12VDC FlexTape Link Cord
RVLED-TPELNK-120	T140	48" (120 cm) 12VDC FlexTape Link Cord
RVLED-TPELNK-180	T142	72" (180 cm) 12VDC FlexTape Link Cord

NOTE: Power Supplies on pages J-47 to J-51 and accessories on pages J-52 to J-64



A  
B  
C  
D  
E  
F  
G  
H  
I  
J  
K  
L  
M  
N  
O  
P  
Q  
R  
S  
T  
U  
V  
W  
X  
Y

## A TRESKO® EUROLINX

### B Specifications:

Lumens: 216 per ft. (708 per m)

Warranty: 5 years

Each light includes: 79" Starter Cord

Lamp Life: 50,000 Hours

Beam Angle: 120°

with AMP Connector and U-Clips for

Mounting: Surface

Linkable up to 10'

mounting.

U-Clip mounted



**Front**

1-3/16"  
(30 mm)

**Side**

5/16"  
(8 mm)

Required Items		
Item #	Quick Code	Description
RVEUL3W-197CAL	T428	7.75" L, 3 Watts, 5000K
RVEUL3W-197WAL	T429	7.75" L, 3 Watts, 3000K
RVEUL4W-273CAL	T613	10.75" L, 4 Watts, 5000K
RVEUL4W-273WAL	T548	10.75" L, 4 Watts, 3000K
RVEUL7W-502CAL	T430	19.75" L, 7 Watts, 5000K
RVEUL7W-502WAL	T431	19.75" L, 7 Watts, 3000K
RVEUL11W-06CAL	T424	31.75" L, 11 Watts, 5000K
RVEUL11W-06WAL	T425	31.75" L, 11 Watts, 3000K
RVEUL15W1111CAL	T426	43.75" L, 15 Watts, 5000K
RVEUL15W1111WAL	T427	43.75" L, 15 Watts, 3000K

7-3/4"  
(197 mm)  
  
10-3/4"  
(273 mm)  
  
19-3/4"  
(502 mm)  
  
31-3/4"  
(806 mm)  
  
43-3/4"  
(1111 mm)

Power Supplies		
Item #	Quick Code	Description
RVDC-ELT6WP-CON	T543	6W Wall Mount with 3 AMP Ports Mounting Block
RVDC-ELT15WP-CON	T362	15W Wall Mount with 6 AMP Ports Mounting Block
RVDC-ELT18-CON	T100	18W with 6 AMP Ports Mounting Block
RVDC-EQ30	T605	30W Power Supply with 6 AMP Ports Mounting Block
RVDC-EQ60	T606	60W with 6 AMP Ports Mounting Block
RVDCE30D-CON	T611	30W Wall Dimmable Hardwire Power Supply with 6 AMP Ports
RVDCE60D-CON	T537	60W Wall Dimmable Hardwire with 6 AMP Ports

Optional Items - Link Cord, Links Two Eurolinx Together					
Item #	Quick Code	Size	Item #	Quick Code	Size
RVEULNK-WH	T433	6"	RVEULNK-120-WH	T432	48"
RVEULNK-25-WH	T435	10"	RVEULNK-180-WH	T434	72"
RVEULNK-60-WH	T436	24"			

Item #	Quick Code	Description
RVEUL-GTD	T423	27 Watts Inline Gradual Touch Dimmer, Controls up to 6.75' of Eurolinx lights (maximum 27 watts)
RVEUL-UCLP1	T821	Extra U-Clips (2 Pack)
RVEULNK-BTBGY1	T822	Extra Back-to-Back Link

NOTE: Power Supplies on pages J-47 to J-51 and accessories on pages J-52 to J-64

# TRESCO® SIMPLED 2.0

**Specifications:**

Lumens: 470 per ft. (1,541 per m)  
 Lamp Life: 50,000 Hours  
 Mounting: Surface

Warranty: 3 years  
 Beam Angle: 110°  
 Linkable up to 10'

Each light includes: 3 different diffusers (Clear, Frosted and Milk) and 79" Starter Cord with AMP Connector and U-Clips for mounting.

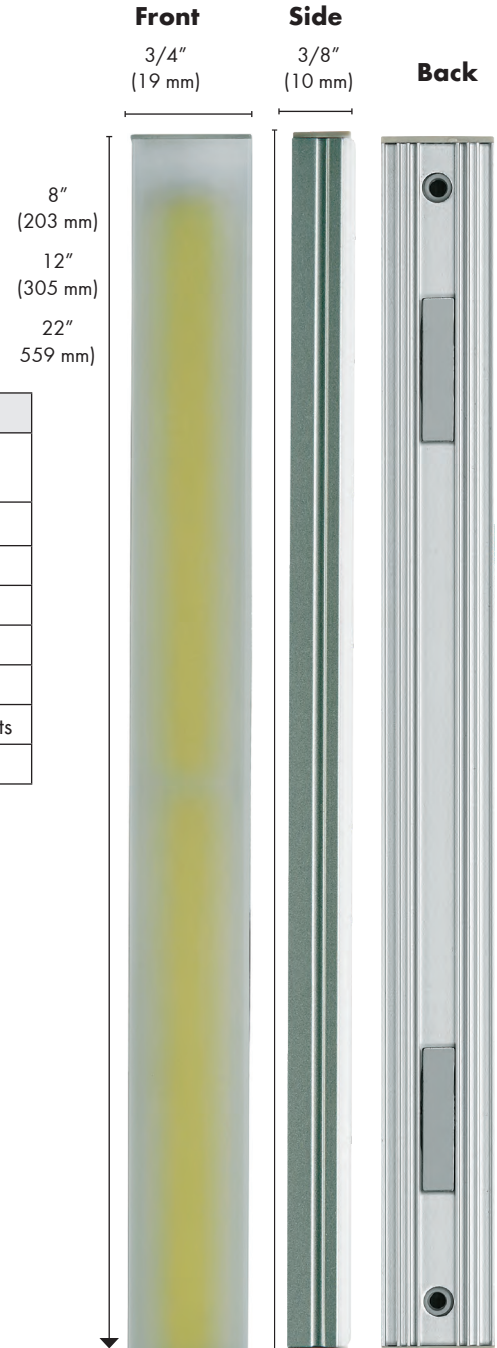


Required Items		
Item #	Quick Code	Description
RVSMPHO8-CNI	T469	SimpLED 2.0, 8" Length, 3.35 Watts, 5000K
RVSMPHO8-WNI	T470	SimpLED 2.0, 8" Length, 3.35 Watts, 3000K
RVSMPHO12-CNI	T465	SimpLED 2.0, 12" Length, 5 Watts, 5000K
RVSMPHO12-WNI	T466	SimpLED 2.0, 12" Length, 5 Watts, 3000K
RVSMPHO22-CNI	T467	SimpLED 2.0, 22" Length, 9.2 Watts, 5000K
RVSMPHO22-WNI	T468	SimpLED 2.0, 22" Length, 9.2 Watts, 3000K

Power Supplies		
Item #	Quick Code	Description
RVDC-ELT6WP-CON	T543	6W Wall Mount Power w/3 AMP Ports Mount Block
RVDC-ELT15WP-CON	T362	15W Wall Mount Supply w/6 AMP Ports Mount Block
RVDC-ELT18-CON	T100	18W Power Supply with 6 AMP Ports Mounting Block
RVDC-EQ30	T605	30W Power Supply with 6 AMP Ports Mounting Block
RVDC-EQ60	T606	60W Power Supply with 6 AMP Ports Mounting Block
RVDC-30D-CON	T611	30W Wall Dimmable Hardwire Power Supply with 6 AMP Ports
RVDC-60D-CON	T537	60W Wall Dimmable Hardwire Power Supply w/6 AMP Ports

Optional Items		
Item #	Quick Code	Description
RVLED-SMPLNK-5	T123	2" Link Cord, Links Two SimplEDs Together
RVLED-SMPLNK-15	T529	6" Link Cord, Links Two SimplEDs Together
RVLED-SMPLNK-25	T122	10" Link Cord, Links Two SimplEDs Together
RVLED-SMPLNK-60	T124	24" Link Cord, Links Two SimplEDs Together
RVLED-SMPLNK-120	T119	48" Link Cord, Links Two SimplEDs Together
RVLED-SMPLNK-180	T121	72" Link Cord, Links Two SimplEDs Together

Item #	Quick Code	Description
RVLED-SMPMOT	T125	27 W, Inline Motion Sensor, 4-1/8"L x 3/4"W x 3/8"H, Max of 5.5' of SimplED 2.0 lights
RVLED-SMPHOTO	T245	27 W, Inline Photo Sensor, 2-3/4"L x 3/4"W x 3/8"H, Max of 5.5' of SimplED 2.0 lights
RVLED-SMPTD4	T126	27 W, Inline Touch Dimmer, 2-3/4"L x 3/4"W x 3/8"H, Max of 5.5' of SimplED 2.0 lights



NOTE: Power Supplies on pages J-47 to J-51 and accessories on pages J-52 to J-64

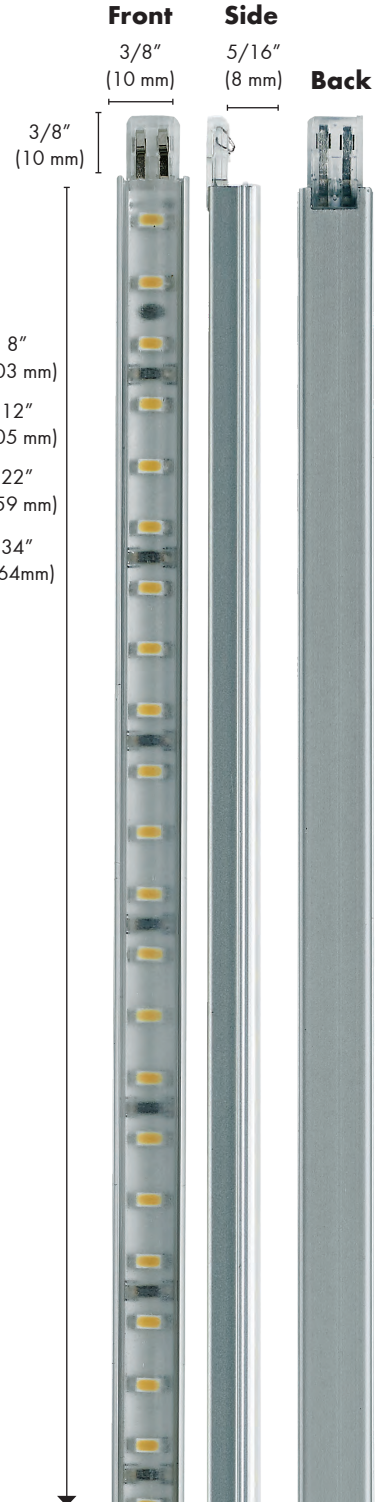
**A TRESKO® FINELINE 2.0**

**Specifications:**

Lumens: 330 per ft. (1082 per m)  
 Lamp Life: 50,000 Hours  
 Mounting: Surface  
 U-Clip mounted  
 4.4W per ft.

Warranty: 5 years  
 Beam Angle: 120°  
 Linkable up to 12'

Each light includes: 79" Starter Cord with AMP Connector and U-Clips for mounting.



Required Items - Finline Stick LED Light		
Item #	Quick Code	Description
RVSTKHO8-CNI	T637	8"L, 2.93W, 5000K, Nickel Finish
RVSTKHO8-WNI	T638	8"L, 2.93W, 3000K, Nickel Finish
RVSTKHO12-CNI	T631	12"L, 4.4W, 5000K, Nickel Finish
RVSTKHO12-WNI	T632	12"L, 4.4W, 3000K, Nickel Finish
RVSTKHO22-CNI	T633	22"L, 8.07W, 5000K, Nickel Finish
RVSTKHO22-WNI	T634	22"L, 8.07W, 3000K, Nickel Finish
RVSTKHO34-CNI	T635	34"L, 12.47W, 5000K, Nickel Finish
RVSTKHO34-WNI	T636	34"L, 12.47W, 3000K, Nickel Finish

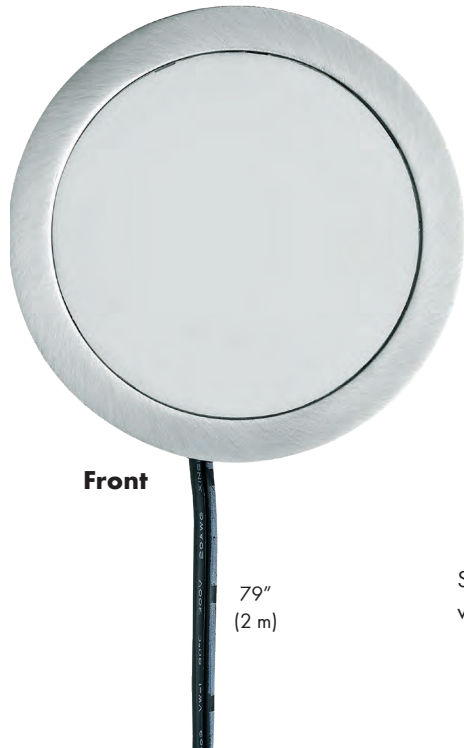
Power Supplies		
Item #	Quick Code	Description
RVDC-ELT6WP-CON	T543	6W Wall Mount with 3 AMP Ports Mounting Block
RVDC-ELT15WP-CON	T362	15W Wall Mount with 6 AMP Ports Mounting Block
RVDC-ELT18-CON	T100	18W with 6 AMP Ports Mounting Block
RVDC-EQ30	T605	30W Power Supply with 6 AMP Ports Mounting Block
RVDC-EQ60	T606	60W with 6 AMP Ports Mounting Block
RVDCE30D-CON	T611	30W Wall Dimmable Hardwire Power Supply with 6 AMP Ports
RVDCE60D-CON	T537	60W Wall Dimmable Hardwire with 6 AMP Ports

Optional Items		
Item #	Quick Code	Description
RVLED-STKDIM-TD4	T133	Inline Touch Dimmer, 4 Step (low, medium, high, off)

Item #	Quick Code	Description
RVLED-STKLNK-5	T138	2" Finline Stick Linking Cord
RVLED-STKLNK-15	T135	6" Finline Stick Linking Cord
RVLED-STKLNK-25	T137	10" Finline Stick Linking Cord
RVLED-STKLNK-60	T139	24" Finline Stick Linking Cord
RVLED-STKLNK-120	T134	48" Finline Stick Linking Cord
RVLED-STKLNK-180	T136	72" Finline Stick Linking Cord

NOTE: Power Supplies on pages J-47 to J-51 and accessories on pages J-52 to J-64

**TRESCO® POWER POCKET® 3W**



2-1/2"  
(63 mm)

**Specifications:**

Lumens: 234

Lamp Life: 50,000 Hours

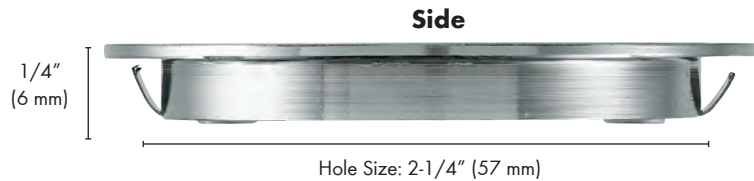
Mounting: Recess/Surface

Warranty: 5 years

Beam Angle: 120°

\* Dimmable on trailing edge (12V side). Mounting block and power cord included.

† No minimum load when controlled by dimmer, mounting block sold separately.



1/4"  
(6 mm)

Hole Size: 2-1/4" (57 mm)

Surface Mount Ring is included with each light.



Item #	Quick Code	Description
<b>3W LED Power Pocket, 5000K</b>		
RVPOC-3LEDSFR-CBL	T191	Black Finish
RVPOC-3LEDSFR-CNI	T232	Nickel Finish
RVPOC-3LEDSFR-CWH	T294	White Finish
<b>3W LED Power Pocket, 3000K</b>		
RVPOC-3LEDSFR-WBL	T162	Black Finish
RVPOC-3LEDSFR-WCH	T293	Chrome
RVPOC-3LEDSFR-WNI	T163	Nickel Finish
RVPOC3LEDSFR-WORB	T166	Oil Rubbed Bronze Finish
RVPOC-3LEDSFR-WWH	T164	White Finish

<b>Power Supplies</b>		
Item #	Quick Code	Description
RVDC-ELT6WP-CON	T543	6W Wall Mount Power Supply with 3 AMP Ports Mounting Block
RVDC-ELT15WP-CON	T362	15W Wall Mount Power Supply with 6 AMP Ports Mounting Block
RVDC-ELT18-CON	T100	18W Power Supply with 6 AMP Ports Mounting Block
RVDC-EQ30	T605	30W Power Supply with 6 AMP Ports Mounting Block
RVDC-EQ60	T606	60W Power Supply with 6 AMP Ports Mounting Block
RVDC-30D-CON	T611	30W Wall Dimmable Hardwire Power Supply with 6 AMP Ports
RVDC-60D-CON	T537	60W Wall Dimmable Hardwire Power Supply with 6 AMP Ports

NOTE: Power Supplies on pages J-47 to J-51 and accessories on pages J-52 to J-64

A  
B  
C  
D  
E  
F  
G  
H  
I  
J  
K  
L  
M  
N  
O  
P  
Q  
R  
S  
T  
U  
V  
W  
X  
Y

**A TRESCO® POWER POCKIT® 5W**



Front

79"  
(2 m)

2-1/2"  
(63 mm)

**Specifications:**

- Lumens: 290
- Lamp Life: 50,000 Hours
- Mounting: Recess/Surface
- Warranty: 5 years
- Beam Angle: 100°



\* Dimmable on trailing edge (12V side). Mounting block and power cord included.  
 † No minimum load when controlled by dimmer, mounting block sold separately.



Side

1/4"  
(6 mm)

Hole Size: 2-1/4" (57 mm)

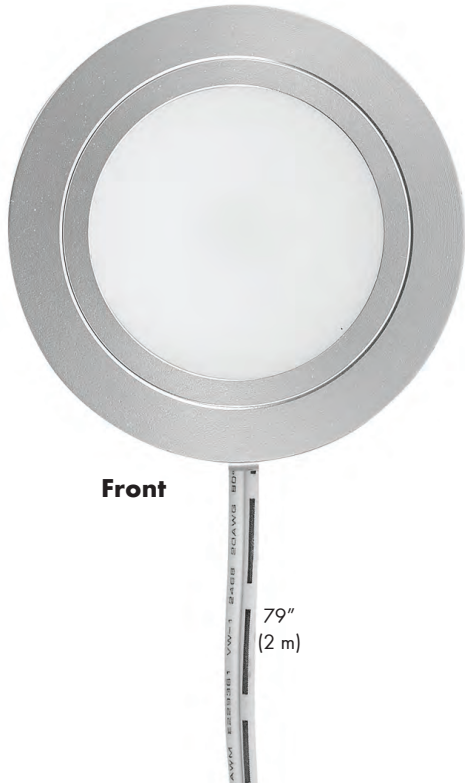


Item #	Quick Code	Description
RVPOC-5LEDSCL-CBL	T458	5W LED Power Pockit with Luniform Technology, 5000K, Black Finish
RVPOC-5LEDSCL-CNI	T459	5W LED Power Pockit with Luniform Technology, 5000K, Nickel Finish
RVPOC-5LEDSCL-CWH	T460	5W LED Power Pockit with Luniform Technology, 5000K, White Finish
RVPOC-5LEDSCL-WBL	T461	5W LED Power Pockit with Luniform Technology, 3000K, Black Finish
RVPOC-5LEDSCL-WNI	T462	5W LED Power Pockit with Luniform Technology, 3000K, Nickel Finish
RVPOC-5LEDSCL-WORB	T463	5W LED Power Pockit with Luniform Technology, 3000K, Oil Rubbed Bronze Finish
RVPOC-5LEDSCL-WWH	T464	5W LED Power Pockit with Luniform Technology, 3000K, White Finish

Power Supplies		
Item #	Quick Code	Description
RVDC-ELT6WP-CON	T543	6W Wall Mount Power Supply with 3 AMP Ports Mounting Block
RVDC-ELT15WP-CON	T362	15W Wall Mount Power Supply with 6 AMP Ports Mounting Block
RVDC-ELT18-CON	T100	18W Power Supply with 6 AMP Ports Mounting Block
RVDC-EQ30	T605	30W Power Supply with 6 AMP Ports Mounting Block
RVDC-EQ60	T606	60W Power Supply with 6 AMP Ports Mounting Block
RVDCE30D-CON	T611	30W Wall Dimmable Hardwire Power Supply with 6 AMP Ports
RVDCE60D-CON	T537	60W Wall Dimmable Hardwire Power Supply with 6 AMP Ports

NOTE: Power Supplies on pages J-47 to J-51 and accessories on pages J-52 to J-64

**TRESCO® EQUILINE PUCK**



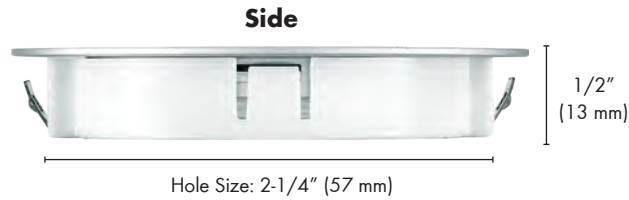
2-1/2"  
(64 mm)

**Specifications:**

- Lumens: 218
- Lamp Life: 25,000 Hours
- Mounting: Recess/Surface
- Warranty: 2 years
- Beam Angle: 100°



\* Dimmable on trailing edge (12V side). Mounting block and power cord included.  
 † No minimum load when controlled by dimmer, mounting block sold separately.



Item #	Quick Code	Description
RVPOC-3EQFR-WBL	T556	3W, 12V EquiLine Puck Light, 3000K, Black Finish
RVPOC-3EQFR-WNI	T539	3W, 12V EquiLine Puck Light, 3000K, Nickel Finish
RVPOC-3EQFR-CBL	T864	3W, 12V EquiLine Puck Light, 5000K, Black Finish
RVPOC-3EQFR-CNI	T538	3W, 12V EquiLine Puck Light, 5000K, Nickel Finish

Power Supplies		
Item #	Quick Code	Description
RVDC-ELT6WP-CON	T543	6W Wall Mount Power Supply with 3 AMP Ports Mounting Block
RVDC-ELT15WP-CON	T362	15W Wall Mount Power Supply with 6 AMP Ports Mounting Block
RVDC-ELT18-CON	T100	18W Power Supply with 6 AMP Ports Mounting Block
RVDC-EQ30	T605	30W Power Supply with 6 AMP Ports Mounting Block
RVDC-EQ60	T606	60W Power Supply with 6 AMP Ports Mounting Block
RVDCE30D-CON	T611	30W Wall Dimmable Hardwire Power Supply with 6 AMP Ports
RVDCE60D-CON	T537	60W Wall Dimmable Hardwire Power Supply with 6 AMP Ports

Optional Items		
Item #	Quick Code	Description
RVSMR-2LED-BLK	T645	EquiLine Puck Light Surface Mount Ring, Black Finish
RVSMR-2LED-NI	T360	EquiLine Puck Light Surface Mount Ring, Nickel Finish

NOTE: Power Supplies on pages J-47 to J-51 and accessories on pages J-52 to J-64

A  
B  
C  
D  
E  
F  
G  
H  
I  
J  
K  
L  
M  
N  
O  
P  
Q  
R  
S  
T  
U  
V  
W  
X  
Y

**A TRESCO® POCKIT POINT & LAZY SUSAN LIGHT KIT**



**Tresco Pockit Point**

**Specifications:**

- Lumens: 69
- Beam Angle: 90°
- Lamp Life: 30,000 Hours
- Input Voltage: 12VDC
- Mounting: Recessed
- Bore Hole: 1" Dia.
- Warranty: 1 Year
- Height: 1/2"
- Includes: 79" Cord
- Includes: Mini converter



Item #	Quick Code	Description
RVLED-1EB-CBL	T274	1W Pockit Point, 5000K, Black Finish
RVLED-1EB-CWH	T865	1W Pockit Point, 5000K, White Finish
RVLED-1EB-WBL	T111	1W Pockit Point, 3000K, Black Finish
RVLED-1EB-WNI	T112	1W Pockit Point, 3000K, Nickel Finish
RVLED-1EB-WWH	T113	1W Pockit Point, 3000K, White Finish

**Power Supplies**

Item #	Quick Code	Description
RVDC-ELT6WP-CON	T543	6W Wall Mount Power Supply with 3 AMP Ports Mounting Block
RVDC-ELT15WP-CON	T362	15W Wall Mount Power Supply with 6 AMP Ports Mounting Block
RVDC-ELT18-CON	T100	18W Power Supply with 6 AMP Ports Mounting Block
RVDC-EQ30	T605	30W Power Supply with 6 AMP Ports Mounting Block
RVDC-EQ60	T606	60W Power Supply with 6 AMP Ports Mounting Block
RVDCE30D-CON	T611	30W Wall Dimmable Hardwire Power Supply with 6 AMP Ports
RVDCE60D-CON	T537	60W Wall Dimmable Hardwire Power Supply with 6 AMP Ports

NOTE: Power Supplies on pages J-47 to J-51 and accessories on pages J-52 to J-64

B  
C  
D  
E  
F  
G  
H  
I  
J  
K  
L  
M  
N  
O  
P  
Q  
R  
S  
T  
U  
V  
W  
X  
Y

**Tresco Lazy Susan Light Kit**

- Kit Includes:
- 23"L Angled Elli LED Linear Light
  - Door Sensor
  - 6W Plug-In Power Supply w/Terminal Block
  - Wire Management Clips



Item #	Quick Code	Description
RVLED-LSKA1	T383	6W, 23"L, Lazy Susan Light Kit





**TRESCO POWER SUPPLIES**



**12 Volt Commercial Plug-In Power Supply  
18 Watts**



- 12VDC constant voltage output
- Short circuit protection\*
- Overcurrent protection
- Overload protection\*
- RFI protection
- Dimmable on trailing edge (12VDC side)
- **Includes: mounting block w/6 ports & 6' power cord**
- Compatible with all Tresco® low voltage dimmers
- **NOT compatible with hardwire wall dimmers**
- \* Automatic reset (no fuses)



Item #	Quick Code	Description	Size
RVDC-ELT18-CON	T100	12VDC/18W Power Supply w/6 Snap Mounting Block	1-11/16"W x 1-1/4"H x 4-1/4"L



A

**12 Volt Commercial Plug-In Power Supplies  
30 Watts & 60 Watts**



- Slim design, under 1" height
- 12VDC constant voltage output
- High power factor (PF > .95)
- Short circuit protection\*
- Overcurrent protection
- Overload protection\*
- RFI protection
- Dimmable on trailing edge (12VDC side)
- Class 2
- **Includes: mounting block w/6 ports & 8' power cord**
- Compatible with all Tresco® low voltage dimmers
- **NOT compatible with hardwire wall dimmers**
- \* Automatic reset (no fuses)



B



Item #	Quick Code	Description	Size	
A	RVDC-SLELT30	T625	12VDC/30W Power Supply w/Mounting Block	2-1/8"W x 13/16"H x 6-1/8"L
B	RVDC-SLELT60	T626	12VDC/60W Power Supply w/Mounting Block	2-3/8"W x 15/16"H x 7"L

A  
B  
C  
D  
E  
F  
G  
H  
I  
J  
K  
L  
M  
N  
O  
P  
Q  
R  
S  
T  
U  
V  
W  
X  
Y

**A TRESCO POWER SUPPLIES**



10' Cord from Plug to Barrel Connector

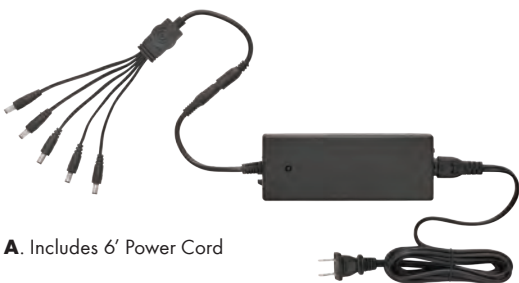


**24 Volt Commercial Plug-In Power Supply 15 Watts**



- 24VDC constant voltage output
- Fully enclosed wall mount plastic case
- Single barrel connector output
- Short circuit protection\*
- Overcurrent protection
- Overload protection \*
- RFI protection
- Dimmable on trailing edge (24VDC side)
- Class 2, 2-Year warranty
- Compatible with all Tresco low voltage dimmers
- **NOT compatible with hardwire wall dimmers**
- \* Automatic Reset (no fuses)

Item #	Quick Code	Description	Size
RV24DCELT15WP	T841	24VDC/15W Wall Mnt Power Supply w/Barrel Connector	1-5/8"W x 1-1/4"H x 3"L



A. Includes 6' Power Cord



B. Includes 8' Power Cord



**24 Volt Commercial Plug-In Power Supplies 48 Watts & 96 Watts**



- Slim design, under 1.6" height
- 24VDC constant voltage output
- High power factor (Pf > .95) 96W only
- Short circuit protection\*
- Overcurrent protection
- Overload protection \*
- RFI protection
- Dimmable on trailing edge (24VDC side)
- Class 2
- **Includes: 5 barrel wires**
- Compatible with all Tresco® low voltage dimmers
- **NOT compatible with hardwire wall dimmers**
- \* Automatic reset (no fuses)

	Item #	Quick Code	Description	Size
A	RV24DCELT48-BL	T653	24VDC/48W Power Supply w/5 Barrel Wires - Black	2-3/8"W x 1-1/2"H x 6"L
B	RV24DCELT96	T577	24VDC/96W Power Supply w/5 Barrel Wires - White	2-5/16"W x 1-5/16"H x 7-1/16"L

**TRESCO POWER SUPPLIES**



**12 Volt EquiLine  
Plug-In Power Supplies  
6 Watts / 15 Watts / 30 Watts / 60 Watts**



A. 10' Cord from Plug to Mounting Block



B. 10' Cord from Plug to Mounting Block

- 12VDC constant voltage output
- Short circuit protection\*
- Overcurrent protection
- Overload protection\*
- RFI protection
- Dimmable on trailing edge (12VDC side)
- Class 2
- 2-Year warranty
- **Includes: mounting block**
- Compatible with all Tresco® low voltage dimmers
- **NOT compatible with hardwire wall dimmers**
- \* Automatic reset (no fuses)



C. Includes 8' Power Cord



D. Includes 8' Power Cord

	Item #	Quick Code	Description	Size
A	RVDC-ELT6WP-CON	T543	12VDC/6W Power Supply & Mnting Block w/3 Ports	1-1/2"W x 1-1/2"H x 2-3/4"L
B	RVDC-ELT15WP-CON	T362	12VDC/15W Power Supply & Mnting Block w/6 Ports	1-5/8"W x 1-1/4"H x 3"L
C	RVDC-EQ30	T605	12VDC/30W Power Supply & Mnting Block w/6 Ports	2-1/8"W x 13/16"H x 6-1/8"L
D	RVDC-EQ60	T606	12VDC/60W Power Supply & Mnting Block w/6 Ports	2-3/8"W x 15/16"H x 7"L

**A TRESCO POWER SUPPLIES**

B  
C  
D  
E  
F  
G  
H  
I  
J  
K  
L  
M  
N  
O  
P  
Q  
R  
S  
T  
U  
V  
W  
X  
Y



A



B

**12 Volt Commercial Wall Dimmable Hardwire Power Supplies  
30 Watts & 60 Watts**



- Under 1" height
- 12VDC constant voltage output
- High power factor (Pf > .95)
- Dimmable by standard LED wall dimmers
- Continuous smooth dimming
- Wire directly into unit
- Quiet operation
- Electronic units are lower profile and generate less heat than magnetic transformers
- Includes: mounting block w/6 ports
- Dimmable by LED line voltage (120V) wall dimmers
- RFI Protection
- Class 2 with short circuit and automatic reset



	Item #	Quick Code	Description	Size
A	RVDCE30D-CON	T611	12VDC/30W Wall Dimmable Hardwire Power Supply	2-1/8"W x 13/16"H x 6-1/8"L
B	RVDCE60D-CON	T537	12VDC/60W Wall Dimmable Hardwire Power Supply	2-3/8"W x 15/16"H x 7"L



A



B

**12 Volt Industrial Wall Dimmable Hardwire Power Supplies  
60 Watts & 180 Watts**



- Slim design, under 2" height
- 12VDC constant voltage output
- High power factor (Pf > .95)
- Built-in hardwire compartment
- All metal construction
- Short circuit protection\*
- Overcurrent protection
- Overload protection\*
- RFI protection
- Dimmable by standard LED wall dimmers
- Class 2
- Compatible with all Tresco® low voltage dimmers
- Compatible with hardwired LED wall dimmers
- Does not include mounting block
- Requires electrician to install
- \* Automatic reset (no fuses)



	Item #	Quick Code	Description	Size
A	RV12DCH60X1	T621	12VDC/60W Industrial Wall Dimmable Hardwire Power Supply	3-5/8"W x 1-11/16"H x 7-3/8"L
B	RV12DCH60X3	T622	12VDC/180W Industrial Wall Dimmable Hardwire Power Supply	4-1/4"W x 1-3/4"H x 10-15/16"L

## TRESCO POWER SUPPLIES & TERMINAL BLOCKS



A



B

### 24 Volt Industrial Wall Dimmable Hardwire Power Supplies 96 Watts & 288 Watts



- Slim design, under 2" height
- 24VDC constant voltage output
- High power factor (PF>.95)
- Built-in hardwire compartment
- All metal construction
- Short circuit protection\*
- Overcurrent protection
- Overload protection\*
- RFI protection
- Dimmable by standard LED wall dimmers
- Class 2
- Compatible with all Tresco® low voltage dimmers
- Compatible with hardwired LED wall dimmers
- Does not include 5 Output Barrel
- Mounting block not included
- Requires electrician to install
- Dimmable by LED line voltage (120V) wall dimmers
- \* Automatic reset (no fuses)



Item #	Quick Code	Description	Size	
A	RV24DCH96X1	T623	24VDC/96W Hardwire Wall Dimmable Power Supply	3-11/16"W x 1-11/16"H x 8-11/16"L
B	RV24DCH96X3	T624	24VDC/288W Hardwire Wall Dimmable Power Supply	4-1/4"W x 1-3/4"H x 11-15/16"L



### Extra 5 Output Barrel Splice



- Designed for Tresco's 24 Volt Power Supplies
- 5 Barrel Connector Wires

Item #	Quick Code	Description
RV1BRL5	T574	Extra 5 Output Barrel Splice



### Terminal Block



- Compatible with all Tresco low voltage dimmers
- NOT compatible with hardwire wall dimmers

Item #	Quick Code	Description	Finish
RVTRANS-MNT-BL	T179	Additional Terminal Block with 6 AMP Ports, Cord is 6"L	Black

**A TRESKO SWIDGET**

Tresco has developed the Swidget line which consists of “smart” outlets and switches. The outlets and switches can be controlled remotely from your mobile phone via the Swidget App.



**Swidget App**

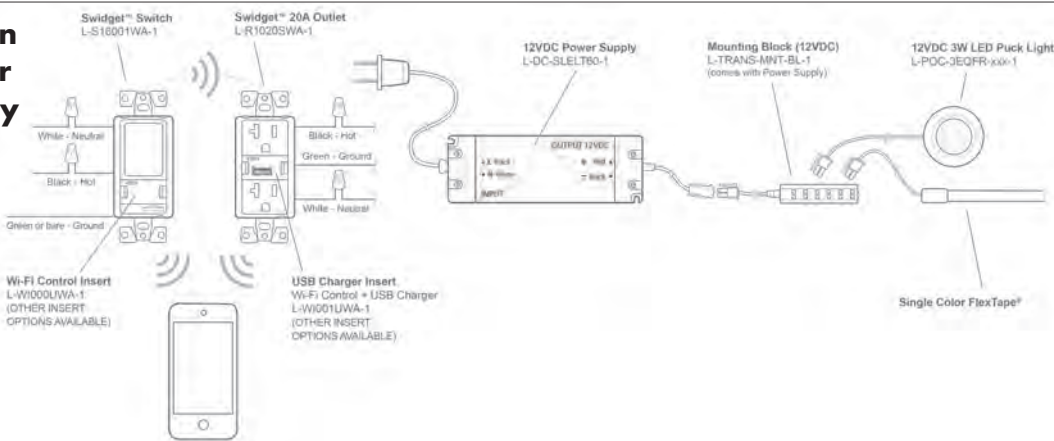


With knowledge and control at your fingertips, the Swidget App allows you to control your device while 12VDC constant voltage output monitoring power consumption accurately and in real-time.

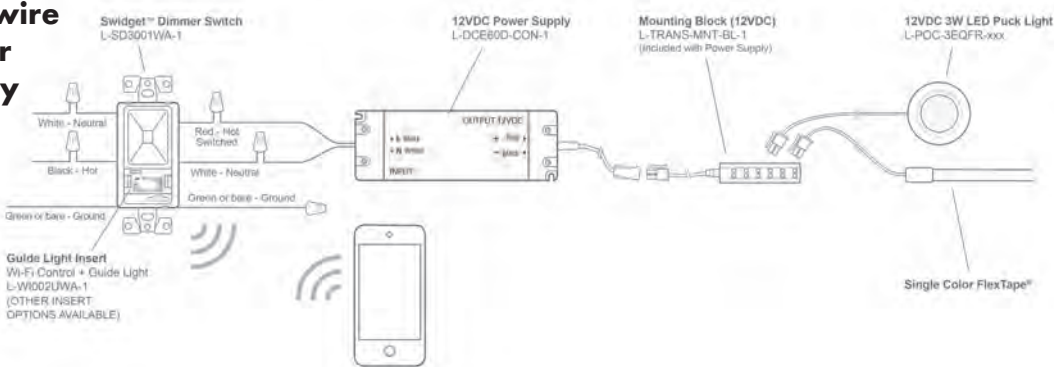
- Power On/Of your outlet or switch
- Program schedules, create scenes and set automations
- Monitor your energy consumption and set automatic notifications including when power consumption is too high
- Connect inserts to trigger one another for a complete smart home system
- Voice control your Swidget Wi-Fi connected inserts by using Alexa, Google Assistant and IFTTT enabled devices

**Swidget Set Up**

**Plug-In Power Supply**



**Hardwire Power Supply**



## TRESCO SWIDGET

### Swidget Devices with Wi-Fi Control Inserts



#### Swidget Outlet w/Wi-Fi Control Insert

- Independent power monitoring for each of the (2) receptacles with Wi-Fi enabled control insert with the Swidget App
- **Top receptacle** is always "on" and allows for wireless power monitoring
- **Bottom receptacle** allows for wireless "on/off" control and power monitoring
- Fits all electrical boxes 3" x 2" x 2.5" and larger
- Tamper resistant shutters for safe operation
- Wireless Band: 2.4GHz
- Device Compatibility: Amazon Alexa, Google Assistant, IFTTT
- Neutral wire required for installation
- Electrician required for install, works with all standard rocker switch plates (not included)



Item #	Quick Code	Description	Color
RVR1020WI000	T929	120VAC 20A Swidget Outlet, w/ Wi-Fi Control Insert	White

A  
B  
C  
D  
E  
F  
G  
H  
I  
J  
K  
L  
M  
N  
O  
P  
Q  
R  
S  
T  
U  
V  
W  
X  
Y



#### Swidget Standard Switch w/Wi-Fi Control Insert

- Single pole and 3-way wiring compatible for lighting and fan applications
- Capability for scene programming with Wi-Fi control insert
- 300W LED/CFL load rating
- Fits all electrical boxes 3" x 2" x 2.5" and larger
- Wireless Band: 2.4GHz
- Device Compatibility: Amazon Alexa, Google Assistant, IFTTT
- Neutral wire required for installation
- Electrician required for install, works with all standard rocker switch plates (not included)



Item #	Quick Code	Description	Color
RVS16001WI000	T927	120VAC 300W/600W Swidget On/Of Switch w/Wi-Fi Control	White



#### Swidget Dimmer Switch w/Wi-Fi Control Insert

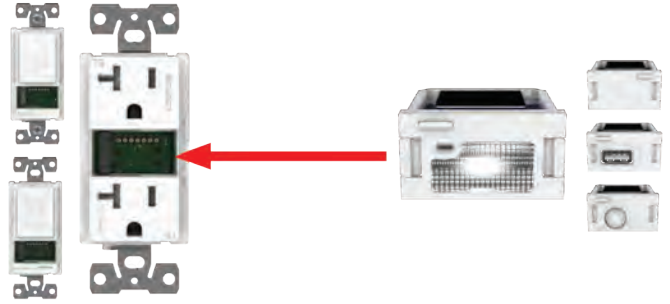
- Unique on/of /dimmer control in a single pad with the capability for scene programming with a Wi-Fi control insert
- 150W LED/CFL load rating
- Compatible with all Tresco dimmable power supplies
- Fits all electrical boxes 3" x 2" x 2.5" and larger
- Wireless Band: 2.4GHz
- Device Compatibility: Amazon Alexa, Google Assistant, IFTTT
- Neutral wire required for installation
- Electrician required for install, works with all standard rocker switch plates (not included)



Item #	Quick Code	Description	Color
RVSD300WI000	T928	120VAC 150W/300W Swidget Dimmer Switch w/Wi-Fi Control	White

**A TRESCO SWIDGET**

If you are looking for more options than just standard Wi-Fi Control, then Swidget Devices without Inserts are the answer. They allow you to choose Wi-Fi Inserts that have options like a USB Charger, Night Light or Motion Sensor (see Inserts on next page).



**Swidget Devices without Inserts**



**Swidget Outlet w/o Insert (Insert on Next Page)**

- Independent power monitoring for each of the (2) receptacles with Wi-Fi enabled insert (sold separately) and the Swidget App
- **Top receptacle** is always “on” and allows for wireless power monitoring
- **Bottom receptacle** allows for wireless “on/off” control and power monitoring
- Fits all electrical boxes 3” x 2” x 2.5” and larger
- Tamper resistant shutters for safe operation
- Neutral wire required for installation
- Electrician required for install, works with all standard rocker switch plates (not included)



Item #	Quick Code	Description	Color
RVR1020SWA	T922	120VAC 20A Swidget Outlet, w/o Insert	White



**Swidget On/Of Switch w/o Insert (Insert on Next Page)**

- Single pole and 3-way wiring compatible for lighting and fan applications
- Capability for scene programming with a Wi-Fi enabled insert (sold separately)
- 300W LED/CFL load rating
- Fits all electrical boxes 3” x 2” x 2.5” and larger
- Neutral wire required for installation
- Electrician required for install, works with all standard rocker switch plates (not included)



Item #	Quick Code	Description	Color
RVS16001WA	T921	120VAC 300W/600W Swidget On/Of Switch, w/o Insert	White



**Swidget Dimmer Switch w/o Insert (Insert on Next Page)**

- Unique on/off/dimmer control in a single pad with the capability for scene programming with a Wi-Fi enabled insert (sold separately)
- 150W LED/CFL load rating
- Compatible with all Tresco dimmable power supplies
- Fits all electrical boxes 3” x 2” x 2.5” and larger
- Neutral wire required for installation
- Electrician required for install, works with all standard rocker switch plates (not included)



Item #	Quick Code	Description	Color
RVSD3001WA	T920	120VAC 150W/300W Swidget Dimmer Switch, w/o Insert	White



## TRESCO SWIDGET

### Swidget Wi-Fi Inserts



#### Swidget Wi-Fi Control Insert

- Wi-Fi Control Insert transforms a Swidget device into a smart device
- Control an outlet (lights, appliances or anything plugged in) from anywhere
- Wireless Band: 2.4GHz
- Device Compatibility: Amazon Alexa, Google Assistant, IFTTT



Item #	Quick Code	Description	Color
RVWI000UWA	T923	Swidget Wi-Fi Control Insert	White

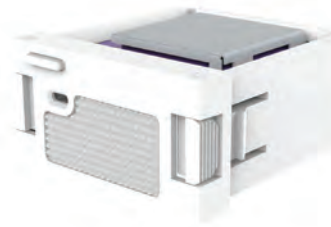


#### Swidget Wi-Fi Control + USB Charger Insert

- Type A USB connector to allow for fast-charging of your devices
- USB output up to a 2.0A rating
- Class 2 output certified
- Wireless Band: 2.4GHz
- Device Compatibility: Amazon Alexa, Google Assistant, IFTTT



Item #	Quick Code	Description	Color
RVWI001UWA	T924	Swidget Wi-Fi Control + USB Charger Insert	White

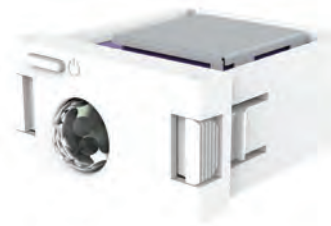


#### Swidget Wi-Fi Control + Guide/Night Light Insert

- Basic night light functionality with automatic light sensor trigger
- Warm white high efficient LED
- Wireless Band: 2.4GHz
- Device Compatibility: Amazon Alexa, Google Assistant, IFTTT



Item #	Quick Code	Description	Color
RVWI002UWA	T925	Swidget Wi-Fi Control + Guide/Night Light Insert	White



#### Swidget Wi-Fi Control + Motion Sensor Insert

- Wireless Infrared Detection (PIR) Panasonic Motion Sensor
- Occupancy/Vacancy detection
- Vacancy timer adjustable between 1-60 minutes
- 120-degree detection angle with a 10' (3 m) detection range
- When connected to Wi-Fi, it can be used to create sensor-based automations, where motion or occupancy can trigger actions in switches, outlets, send notifications and more
- Automatically turns on lights when someone enters or turns of lights when no motion is detected
- Wireless Band: 2.4GHz
- Device Compatibility: Amazon Alexa, Google Assistant, IFTTT



Item #	Quick Code	Description	Color
RVWI004UWA	T926	Swidget Wi-Fi Control + Motion Sensor Insert	White

**A TRESCO 120 VOLT LED WALL DIMMERS**

B  
C  
D  
E  
F  
G  
H  
I  
J  
K  
L  
M  
N  
O  
P  
Q  
R  
S  
T  
U  
V  
W  
X  
Y



**Lutron Diva C-L Dimmer**  
**150 Watts**



- Large paddle switch with a captive linear-slide dimmer for a standard designer wall plate opening
- Switch returns light to preset light level
- Offers more reliable dimming performance over standard dimmers
- HED technology with advanced dimming circuitry designed for compatibility with most high-efficiency light bulbs
- Adjustment switch to modify the minimum light level in order to maximize the dimming range if flickering occurs at lower dimming levels

Item #	Quick Code	Description
RVDVCL-153PH-WH	T321	150W Lutron Diva Dimmer without plate



**Lutron Skylark Contour Diva C-L Dimmer**  
**150 Watts**



- On/off rocker switch with a captive linear-slide dimmer for a standard designer wallplate opening
- Switch returns light to preset light level
- Offers more reliable dimming performance over standard dimmers
- HED technology with advanced dimming circuitry designed for compatibility with most high-efficiency light bulbs
- Low-end adjustment dial

Item #	Quick Code	Description
RVCTCL-153P-WH	T320	150W Lutron Skylark Dimmer without plate



**Leviton Decora LED Dimmer**  
**300 Watts**



- Large paddle switch with a captive linear-slide dimmer for a standard designer wall plate opening
- Packaged with White, Ivory, and Light Almond color change kits
- Switch returns light to preset light level
- No neutral wire required for installation
- Adjustment switch to modify the minimum light level in order to maximize the dimming range if flickering occurs at lower dimming levels

Item #	Quick Code	Description
RVDSL06-1LZ	T608	300W Leviton Decora Dimmer w/WH-IV-LA Color Kits

**TRESCO® ACCESSORIES**

**INSTALLATION SET-UP  
FOR FREEDIM WIRELESS  
CONTROLLERS**

**(Micro Dimmer,  
Deco Wall Dimmer  
& Multi-Zone  
Remotes)**



**FREEDIM**  
WIRELESS CONTROL

LED Light

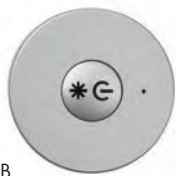
Universal Receiver

FreeDim  
Wireless  
Controllers

Tresco Power Supply



A



B



**Micro Dimmer**

- Single zone wireless dimmer
- Sleek Black or Nickel finish
- Easy to replace, long life lithium battery
- 65 ft. range of control from dimmer to receiver
- Mounting case can be mounted with screws or to a metallic surface
- A single dimmer can be programmed to up to 10 different receivers; a single receiver can be programmed to up to 8 different dimmers
- Required Component: Universal Receiver, must purchase to operate Micro Dimmers



C

Item #	Quick Code	Description
A RVWLD-1RND-BL	T494	0-100% Dim and On/Off Switch, Includes Lithium Battery (Type CR2025), Black Finish
B RVWLD-1RND-NI	T495	0-100% Dim and On/Off Switch, Includes Lithium Battery (Type CR2025), Nickel Finish
<b>Required Component: Must purchase the Universal Receiver in order to operate the Micro Dimmer</b>		
C RVWLD-1REC	T496	60 Watts, 12VDC, Universal Receiver (Must purchase to operate Micro Dimmer)

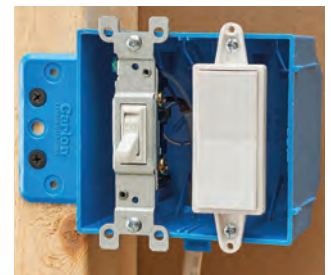
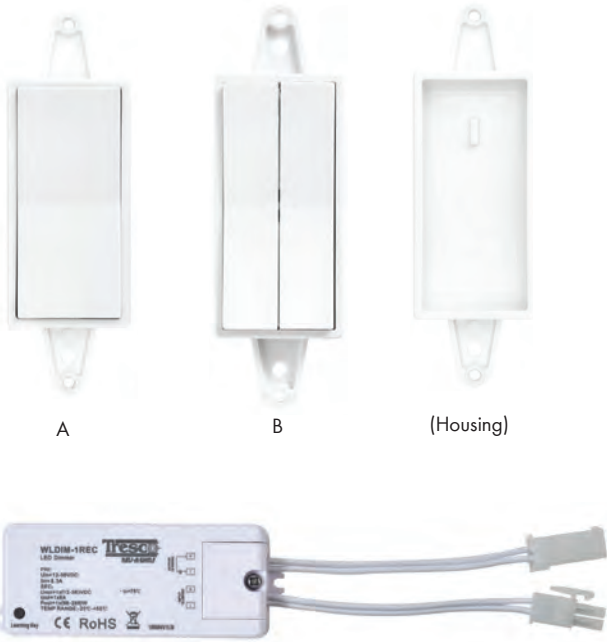
A  
B  
C  
D  
E  
F  
G  
H  
I  
J  
K  
L  
M  
N  
O  
P  
Q  
R  
S  
T  
U  
V  
W  
X  
Y

**TRESCO® ACCESSORIES**



**Deco Wall Dimmer**

- Single & Two zone wireless dimmers
- Sleek Black, White or Light Almond finish
- Easy to replace, long life lithium battery
- 65 ft. range of control from dimmer to receiver
- Can be mounted to standard wall electrical boxes or directly to drywall
- A single dimmer can be programmed to up to 10 different receivers; a single receiver can be programmed to up to 8 different dimmers
- Required Component: Universal Receiver, must purchase to operate Deco Wall Dimmers



Item #	Quick Code	Finish
<b>Single Zone - 0-100% Dim and On/Off Switch, Includes Lithium Battery (Type CR1620)</b>		
A RVWLD-1WAL-WH	T530	White Finish
A RVWLD-1WAL-BL	T531	Black Finish
RVWLD-1WAL-AL	T532	Light Almond Finish
<b>Two Zone - 0-100% Dim and On/Off Switch, Includes Lithium Battery (Type CR1620)</b>		
B RVWLD-2WAL-WH	T541	White Finish
B RVWLD-2WAL-LA	T542	Light Almond Finish
<b>Required Component: Must purchase the Universal Receiver in order to operate the Deco Wall Dimmer</b>		
C RVWLD-1REC	T496	60 Watts, 12VDC, Universal Receiver (Must purchase to operate Deco Wall Dimmer)

**TRESCO® ACCESSORIES**

A  
B  
C  
D  
E  
F  
G  
H  
I  
**J**  
K  
L  
M  
N  
O  
P  
Q  
R  
S  
T  
U  
V  
W  
X  
Y

**Multi-Zone Remote**



- Independent control of three lighting zones (respectively) from single remote
- Program additional Receivers to separate the lighting in a room into multiple Zones that you can control independently
- Set brightness levels of all of the Zones to a desired level then save as a "Scene"
- Integrated magnet allows for mounting to refrigerator or other metallic surfaces
- Includes: magnetic mounting tray that can be screw mounted
- 65 ft. range of control from remote to Receiver
- Required Component: Universal Receiver, must purchase to operate Multi-Zone Remote

	Item #	Quick Code	Description
A	RVWLD-3RMT-BL	T646	3-Zone Remote Dimmer, 0-100% Dim and On/Off Switch, Includes Magnetic Mounting Tray and Lithium Battery (Type CR2032)
<b>Required Component: Must purchase the Universal Receiver in order to operate the Multi-Zone Remote</b>			
B	RVWLD-1REC	T496	60 Watts, 12VDC, Universal Receiver (Must purchase to operate Multi-Zone Remotes)



A. 3-Zone Remote

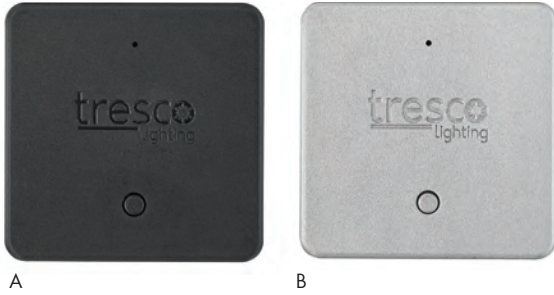


B



Magnetic Mounting Tray

**A TRESCO ACCESSORIES**



**Wireless Door Sensor**



- Allows light to be controlled by multiple doors
- Simple push-button pairing with receiver (sold separately)
- Program up to (4) sensors to a single receiver
- No cumbersome, messy wires to have to hide inside your cabinetry
- Mounting hardware (included)
- **Required Component: Wireless Door Sensor Receiver (see below)**

	Item #	Quick Code	Description	Size
A	RVWLDS-BL	T615	FREEDiM Wireless Door Sensor - Black Finish	1-13/16" Sq. x 5/8"H
B	RVWLDS-NI	T614	FREEDiM Wireless Door Sensor - Nickel Finish	1-13/16" Sq. x 5/8"H

**J**

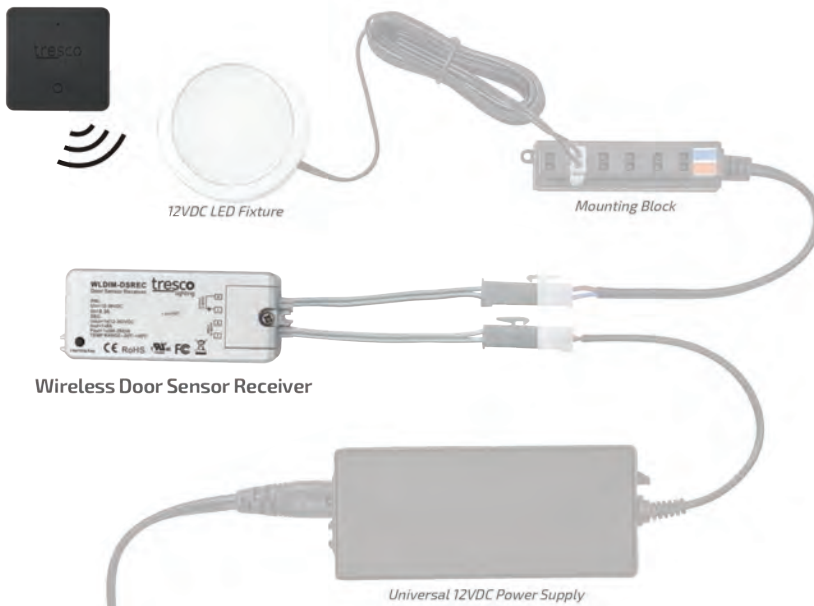


**Wireless Door Sensor Receiver**

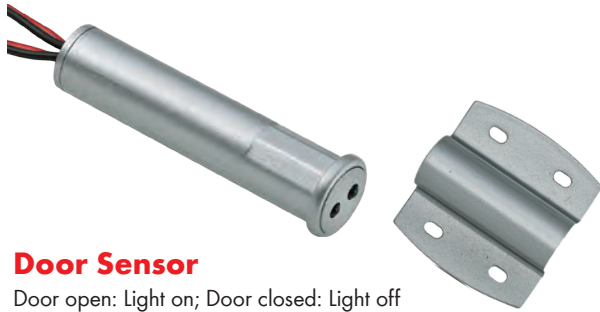


- 60W capacity (12VDC); 96W capacity (24VDC)
- Power failure memory
- Install inline between power supply and lights
- Simple one button pairing with Wireless Door Sensors
- Single receiver can be programmed with up to (4) sensors
- Allows for up to 4 doors to control the same light fixtures
- **Required component for Wireless Door Sensors**

Item #	Quick Code	Description	Size
RVWLDSREC	T616	12/24VDC Wireless Door Sensor Receiver	1-3/8"W x 7/8"H x 3-1/4"L



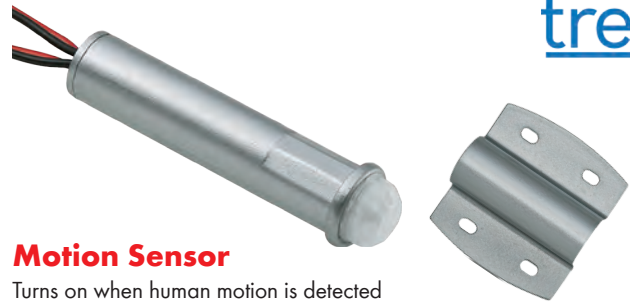
**TRESCO® ACCESSORIES**



**Door Sensor**

Door open: Light on; Door closed: Light off

- Max wattage: 60W
- Sensor range: 2" (50 mm)
- Cable input: 79" (2 m)
- Cable output: 6" (152 mm)
- Finish: Nickel/Black



**Motion Sensor**

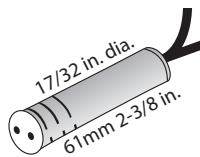
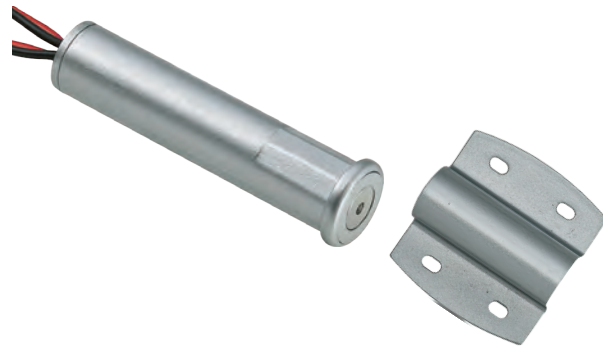
Turns on when human motion is detected

- Max wattage: 60W
- Sensor range: 0-5' (1500 mm)
- Viewing degree: 100°
- Time on: 30 secs if no motion
- Cable input: 79" (2 m)
- Cable output: 6" (152 mm)
- Finish: Nickel/Black

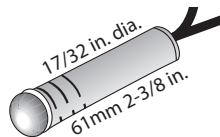
**Touch Dimmer Sensor**

Touch on/off and 1-100% dimming control

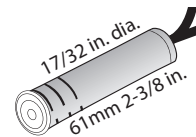
- Max wattage: 60W
- Cable input: 79" (2 m)
- Cable output: 6" (152 mm)
- Finish: Nickel/Black
- \* Hold finger down for dimming



Door Sensor



Motion Sensor



Touch Dimmer Sensor

**12VDC Oval Controllers, 27W Recess/Surface Mount**

Item #	Quick Code	Description
RVLED-OVLDS-BL	T387	Door Sensor, Black Finish
RVLED-OVLDS-NI	T354	Door Sensor, Nickel Finish
RVLED-OVLMS-NI	T355	Motion Sensor, Nickel Finish
RVLED-OVLTD-NI	T357	Touch Dimmer Sensor, Nickel Finish

A  
B  
C  
D  
E  
F  
G  
H  
I  
J  
K  
L  
M  
N  
O  
P  
Q  
R  
S  
T  
U  
V  
W  
X  
Y

**A TRESKO® ACCESSORIES**

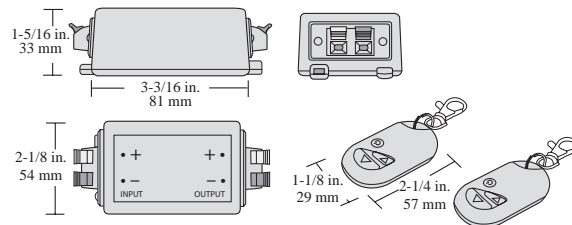
**B 12VDC Remote Control Dimmers**

Remote Control LED Dimmers feature radio-frequency, remote-control dimming to adjust lights from anywhere in the room up to 30' (9 m). The remote control provides on/off power and dims lights from 100%-1%.



**C Universal Remote Dimmer**

- Controls up to 5A/60W of LED lighting
- Features a built-in memory that recalls the last setting when turned on
- Comes with two remote controls (one extra, as a backup)
- No line of sight required
- Can control multiple dimmers in same room with single remote control for universal dimming



**D Dedicated Remote Dimmer**

- Controls up to 5A/60W of LED lighting
- Features a built-in memory that recalls the last setting when turned on
- No line of sight required
- Comes with two remote controls (one extra, as a backup) that are synchronized to control the same dimmer
- Can use multiple independently controlled dimmers in the same room

**\*Recommended not to exceed 3 per room**

Placement of multiple dimmers in a room may be critical for proper function depending on set-up and obstacles.

Item #	Quick Code	Description
RVLEDDIMRMT-12V8A	T148	LED Dedicated Dimmer
RVLEDDIMRMT-12V8AU	T149	LED Universal Dimmer

Both models of the Remote Control LED Dimmer provide on/off power and dim lights from 100%-1%. The dedicated Remote Control independently controls one specific dimmer in a room. The Universal Remote Control (U) controls multiple dimmers in a room.

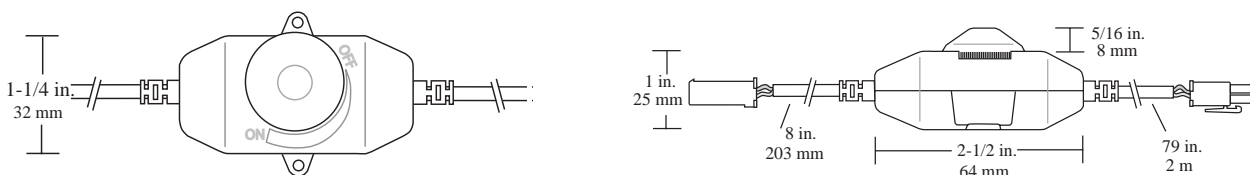
**R 12VDC Manual In-Line Rotary Dimmer**



- 4A/48W capacity
- 100-0% dimming and on/off power
- 79" (2 m) input lead snaps into power supply mounting block with male AMP® connector
- 8" (203 mm) output connects to run of light with female AMP® connector



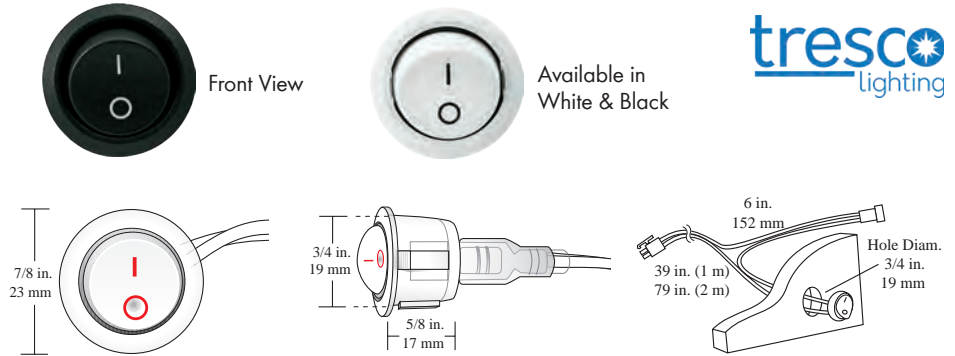
Item #	Quick Code	Description
RVLED-DIMCON-BL	T114	LED Black Inline Rotary Dimmer, 12VDC 48W
RVLED-DIMCON-WH	T115	LED White Inline Rotary Dimmer, 12VDC 48W





**TRESCO® ACCESSORIES**

**Round Switch - 12V**



Available in White & Black

Item #	Quick Code	Description
RVRDSW-2M-BL	T167	Black Rocker Switch w/ 79" (2 m) Lead, 12VAC/DC
RVRDSW-2M-WH	T168	White Rocker Switch w/ 79" (2 m) Lead, 12VAC/DC

3/4" (19mm) hole required.

**Starter/Extension Cord**



- Low-voltage wire
- Used to extend the starter leads for any Tresco 12VDC lights
- Eight lengths to choose from

Item #	Quick Code	Description
RVLED-LINKD-8	T351	3" (8 cm) 12VDC Starter/Link/Extension Cord
RVLED-LINKD-15	T844	6" (15 cm) 12VDC Starter/Link/Extension Cord
RVLED-LINKD-25	T194	10" (25 cm) 12VDC Starter/Link/Extension Cord
RVLED-LINKD-60	T195	24" (60 cm) 12VDC Starter/Link/Extension Cord
RVLED-LINKD-120	T203	48" (120cm) 12VDC Starter/Link/Extension Cord
RVLED-LINKD-180	T190	72" (180cm) 12VDC Starter/Link/Extension Cord
RVLEDLINKD-245	T447	96" (245 cm) 12VDC Starter/Link/Extension Cord

Hole size: 1/2" (13 mm) required

**Dual USB Charging Station**



Installation Set-Up

- USB charging station ties into Tresco power supplies
- Max. load capacity = 1 port x 2.1 Amp or 2 ports x 1.05 Amp
- 79" start cord is attached
- Two interchangeable face plates included (Black & Nickel)
- Draws 10W at max capacity while charging
- Has auto shut-off
- Size: 28mm (1-7/64") Diameter Body x 32mm (1-1/4") Height
- Face Plate Size: 37mm (1-29/64")

Item #	Quick Code	Description
RVHUSB2-BLNI	T528	USB Charging Station w/2 Ports, Recess Mounted, 79" Wire, Black or Nickel Finish

**A TRESKO® INSTALL ACCESSORIES**

B  
C  
D  
E  
F  
G  
H  
I  
J  
K  
L  
M  
N  
O  
P  
Q  
R  
S  
T  
U  
V  
W  
X  
Y



**Class 2, 16 Gauge Wire & Barrel Connectors**



- Rated for low-voltage in-wall use
- 16 Gauge Wire & Barrel Connectors are designed to be used together

Item #	Quick Code	Description
RV16CL2-WH50	T836	50' Roll, 16 AWG 12V Class 2 Wire, White Finish
RVLED-WCON-WH-5	T305	12V DIY Barrel Connectors, White Finish, (10 Per Bag)



**VHB Tape**

- Automotive grade VHB
- Used to mount all light fixtures
- Used as a base layer for mounting Tape LED products

Item #	Quick Code	Description
RVVHBTPPE-1134	T480	7/16"W x 111-1/2"L VHB Adhesive Tape Roll



**Plastic Channels for Wire Management**



- Fits all of Tresco's wires
- Easy cut-to-size in field
- Durable adhesive mounting
- Size: 9/32"W x 15/32"D x 60"L

Item #	Quick Code	Description
RVWM5-BL-1	T417	60"L Plastic Channel for Wire Management, Black Finish
RVWM5-BR-1	T482	60"L Plastic Channel for Wire Management, Brown Finish
RVWM5-WH-1	T418	60"L Plastic Channel for Wire Management, White Finish
RVWCLP-WH	T607	Wire Management Adhesive Clips, White Finish (10 Per Bag)



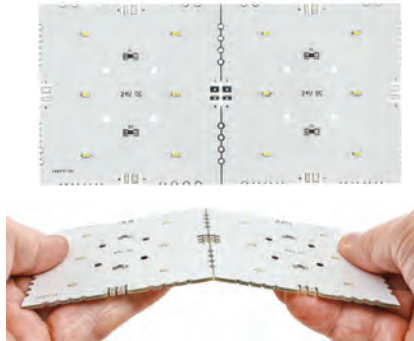
**Extraction Tool & AMP Connectors**



- Extraction Tool safely removes AMP Connectors

Item #	Quick Code	Description
RVPINEXT-1	T557	Extraction Tool, Removes AMP Connctors
RVMALE-AMP	T346	AMP Connectors (10 Per Bag)

## 8W & 15W SNAP PANELS



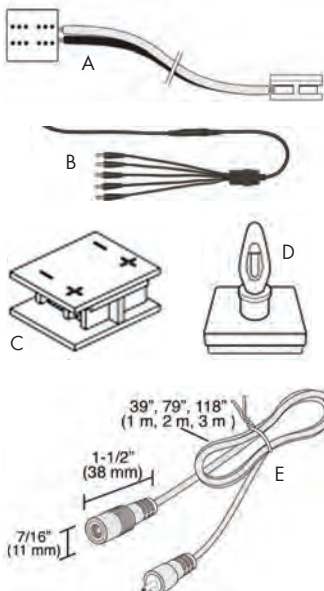
### 8W & 15W Snap Panels

- **8W Snap Panel:** 900 Lumens Per Sq. Foot, 50,000 Hrs of Lamp Life
- **8W Snap Panel:** 8 Watts Per Sq. Foot, 0.5 Watt Per 3" Square
- **15W Snap Panel:** 1,670 Lumens Per Sq Foot, 50,000 Hrs of Lamp Life
- **15W Snap Panel:** 15 Watts per Sq. Ft, 0.94 Watt Per 3" Square
- 120° Beam Spread
- Size of Individual Panel: 3"H x 3"W x 1/16"Thick
- Warm White (3000K), Natural (4000K)
- Cool White (5000K), and Daylight (6500K)
- Sold in: 12" x 12" squares
- Plastic clips and screws are included with each panel for mounting purposes



8W Snap Panel Item #	Quick Code	15W Snap Panel Item #	Quick Code	Description
RVSP8WA-30K	T558	RVSP15WA-30K	T837	24VDC, LED Snap Panel, 3000K, Warm White, Includes Mounting Screws & Clips
RVSP8WA-40K	T559	RVSP15WA-40K	T838	24VDC, LED Snap Panel, 4000K, Natural, Includes Mounting Screws & Clips
RVSP8WA-50K	T560	RVSP15WA-50K	T839	24VDC, LED Snap Panel, 5000K, Cool White, Includes Mounting Screws & Clips
RVSP8WA-65K	T561	RVSP15WA-65K	T840	24VDC, LED Snap Panel, 6500K, Daylight, Includes Mounting Screws & Clips

Required Items	Item #	Quick Code	Description
	RV24DCELT96	T577	24VDC 96W, Power Supply with 5-Barrel Connectors
	RVSPPKT-305MM	T562	12"L Snap Panel Starter Lead
	RVSPPKT-1M	T563	39"L Snap Panel Starter Lead
	RVSPPKT-3M	T564	118"L Snap Panel Starter Lead



Optional Items			
	Item #	Quick Code	Description
A	RVSPLNK8	T568	3" Snap Panel Linking Cord
	RVSPLNK25	T569	10" Snap Panel Linking Cord
	RVSPLNK60	T570	24" Snap Panel Linking Cord
	RVSPLNK120	T571	48" Snap Panel Linking Cord
B	RV1BRL5	T574	Extra 5-Barrel Connectors
C	RVSPBTB10-10	T581	Snap Panel Back-To-Back Link, 10 Per Pack
D	RVSPCLP6	T573	Extra Snap Panel Mounting Clips, 6 Per Pk
E	RVSPEXT-1M	T565	39" Snap Panel Starter Lead Ext.Cord
	RVSPEXT-2M	T566	79" Snap Panel Starter Lead Ext. Cord
	RVSPEXT-3M	T567	118" Snap Panel Starter Lead Ext.Cord



A  
B  
C  
D  
E  
F  
G  
H  
I  
J  
K  
L  
M  
N  
O  
P  
Q  
R  
S  
T  
U  
V  
W  
X  
Y

**A TRESKO® POCKIT® 120-M**

B  
C  
D  
E  
F  
G  
H  
I  
J  
K  
L  
M  
N  
O  
P  
Q  
R  
S  
T  
U  
V  
W  
X  
Y



**Specifications:**  
 Lumens: 270  
 Lamp Life: 30,000 Hours  
 Mounting: Recess/Surface  
 Warranty: 3 years  
 Beam Angle: 100°  
 Link up to 45 fixtures



Item #	Quick Code	Description
<b>120V, 4W Pockit 120-M LED Puck, Non-Linkable, 9" Input Cord, 3000K</b>		
RVMPOC4W120NLWBL	T814	Black Finish
RVMPOC4W120NLWNI	T815	Nickel Finish
RVMPOC4W120NLWWH	T816	White Finish
<b>120V, 4W Pockit 120-M LED Puck, Linkable, 9" Input Cord &amp; Output Cord, 3000K</b>		
RVMPOC4W120LWBL	T451	Black Finish
RVMPOC4W120LWNI	T452	Nickel Finish
RVMPOC4W120LWWH	T453	White Finish
<b>96" Starter Cord, plugs into wall outlet</b>		
RVMPOC-PKT8-BL	T454	Black Finish
RVMPOC-PKT8-WH	T455	White Finish

Optional Items				
Black Finish Item #	Quick Code	White Finish Item #	Quick Code	Description
RVRDSW2M120BL	T817	RVRDSW-2M-120-WH	T311	Rocker Switch with 79" Cord
RVFPOCLINKA-25-BL	T818	RVFPOC-LINKA-25	T333	10" Linking Cord
RVFPOCLINKA-60-BL	T104	RVFPOCLINKA-60-WH	T105	24" Linking Cord
RVFPOCLINKA120-BL	T106	RVFPOCLINKA120-WH	T107	48" Black Linking Cord
RVFPOCLINKA180-BL	T108	RVFPOCLINKA180-WH	T109	72" Black Linking Cord
RVHWBBLT5S1	T819	RVHWBWHT5S1	T820	Hardwire Box with Switch

**COUNTERTOP DISPLAYS**

A  
B  
C  
D  
E  
F  
G  
H  
I  
J  
K  
L  
M  
N  
O  
P  
Q  
R  
S  
T  
U  
V  
W  
X  
Y



**Option A:**  
**Equiline Tape / Puck**

- 1.5W 2700K Equiline Tape LED
- 3W 4800K Equiline Tape LED
- Equiline Puck 3000K
- FREEDiM Wireless Micro Dimmer

**Item #:** RVLKDCDA-1



**Option B:**  
**Fineline / Equiline Puck**

- Fineline 3000K
- Fineline 5000K
- Equiline Puck 3000K
- FREEDiM Wireless Micro Dimmer

**Item #:** RVKDCDB-1



**Option C:**  
**Premium Flex Tape**

- 1.5W 2700K FlexTape
- 3W 3500K FlexTape
- 4.4W 4800K FlexTape
- 5.5W 6500K FlexTape
- FREEDiM Wireless Deco Dimmer

**Item #:** RVKDCDC-1



**Option D:**  
**Premium Variety**

- Eurolinx 3000K
- SimpLED 2.0 5000K
- 3W Power Pockit® 3000K
- FREEDiM Wireless Deco Dimmer

**Item #:** RVKDCDD-1



**Option E:**  
**Premium Linear / Puck (1)**

- Eurolinx 3000K
- Eurolinx 5000K
- 3W Power Pockit® 3000K
- FREEDiM Wireless Deco Dimmer

**Item #:** RVKDCDE-1



**Option F:**  
**Premium Linear / Puck (2)**

- SimpLED 2.0 3000K
- SimpLED 2.0 5000K
- 3W Power Pockit® 3000K
- FREEDiM Wireless Deco Dimmer

**Item #:** RVKDCDF-1

**A PUCK LIGHT JIG**



Can also be used to hide wiring for strip lights and switches.

**Revolutionary design eliminates false bottom/cabinet build-ups!**



Most cabinetmakers know that the installation of under mount cabinet lighting in upper cabinets or shelves typically requires a "false bottom" or "build up" to hide the wire for the light. **Not Anymore!** TP Tools light jig easily and accurately eliminates false bottoms. Conceal wires directly in the cabinet bottom or shelf. Now you can install a puck light, strip light, switch or whatever you can think of in 3/4" or 5/8" material using this patented 3/8" wire concealing kit!

**Includes:** 12" x 3/8" drill bit, 2-1/8" and 2-1/4" Forstner bits with depth stops and blow molded case. Requires 1/2" hand drill for installation.



<b>Item #</b>
TP-PLJ

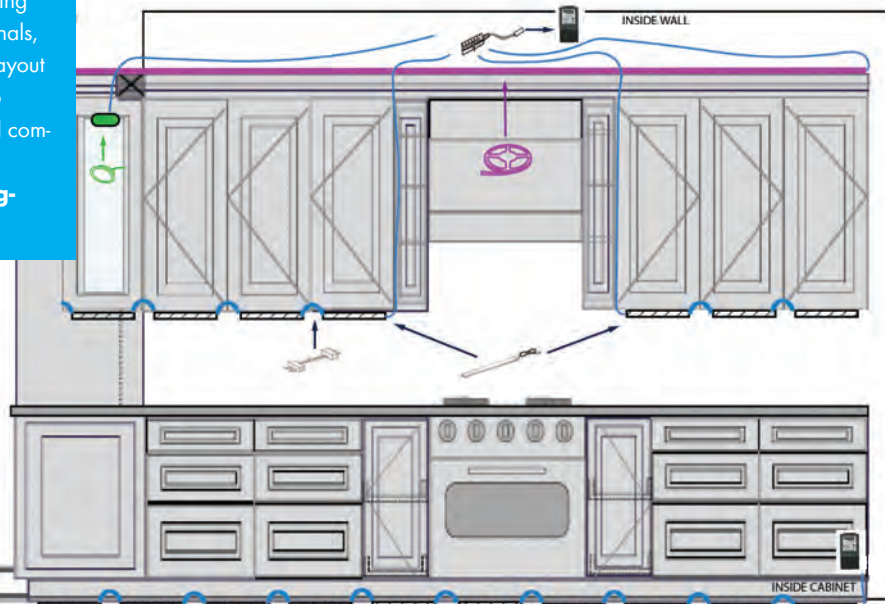


*Bushings are backed with a lifetime warranty.*

NOTE: Other size set-ups (35mm, 55mm and 68mm) and 18" drill bits also available (sold separately). Please contact your Würth Louis and Company Representative for additional information.

**TRESCO FREE LIGHTING LAYOUT ASSISTANCE!**

Because application of LED lighting is new to many design professionals, Tresco is now offering Lighting Layout Assistance to help specify Tresco products for both residential and commercial lighting design projects. [trescolighting.com/lighting-layout-request](http://trescolighting.com/lighting-layout-request)



FlexTape



Power Supply



Wall Dimmers



Starter Cords



Link Connector



SimpLED



SimpLED Connector

**SECTION K - TABLE OF CONTENTS**

**Section K Contents:**

PRO Waste Bin Pull-Outs .....2  
 Wurth/Vauth-Sagel Kitchen  
 Accessories ..... 3-31  
 Century Components X-Brackets ..... 32  
 Tenn-Tex QuickTRAY ..... 33-34  
 Docking Drawer Outlets ..... 35-37  
 Omega National Products Kitchen  
 Accessories ..... 38-46  
 Woodfold Wood Kitchen  
 Accessories ..... 47-48  
 Knapé & Vogt Kitchen Accessories... 49-55  
 Triangle Bearings..... 56  
 PRO Modesty Panel Brackets ..... 57  
 Toe Kicks ..... 58  
 Iron-A-Way ..... 59-60  
 Rev-A-Shelf Kitchen & Bath  
 Accessories ..... 61-180



A  
B  
C  
D  
E  
F  
G  
H  
I  
J  
K  
L  
M  
N  
O  
P  
Q  
R  
S  
T  
U  
V  
W  
X  
Y



**A PRO WASTE BIN PULL-OUTS**

**B Wood Waste Bin Pull-Outs**



Single Waste Bin Pull-Out



Double Waste Bin Pull-Out

**Bottom Mount Waste Bin Pull-Out w/Soft-Close & Wood Carriage**

- Soft-close undermount slides
  - Weight rating: 100 Lbs. static / 75 Lbs. dynamic
  - Exceeds BHMA requirements of 50,000 cycles
  - Patented slide strap “step” to clear face frame
  - 4 screw installation
  - Solid maple top frame & plywood box
  - Dovetail construction
  - Single units: additional storage space for trash bags
  - Door mount bracket adjustments provide 4.55” of adjustability
- **Single kit includes:**
    - (1) wood carriage w/soft-close slides,
    - (2) door mount brackets & (1) waste bin
  - **Double kit includes:**
    - (1) wood carriage w/soft-close slides,
    - (2) door mount brackets & (2) waste bins

Item #	Bin Size	Min. Cabinet Opening for Face Frame	Min. Cabinet Opening for Frameless	Designed for Base Cabinet Size	Height	Depth
<b>Single Wood Waste Bin Pull-Out w/Soft-Close Slides</b>						
PROWWB35WH-1	35 Qt.	11.5"W	11.75"W	15"W	19.64"	21.54"
PROWWB50WH-1	50 Qt.	11.5"W	11.75"W	15"W	23.54"	21.54"
<b>Double Wood Waste Bin Pull-Out w/Soft-Close Slides</b>						
PROWWB35WH-2	35 Qt.	14.5"W	14.75"W	18"W	19.64"	21.54"
PROWWB50WH-2	50 Qt.	15"W	15"W	18"W	23.54"	21.54"



## WÜRTH/VAUTH-SAGEL WASTE BIN PULL-OUTS

### Würth/Vauth-Sagel Kitchen Accessories Program



Würth and Vauth-Sagel have partnered to create a premium line of kitchen accessories. The very essence of the product line can be summed up in one phrase, "German craftsmanship with American inspiration."



#### Baskets in the Program

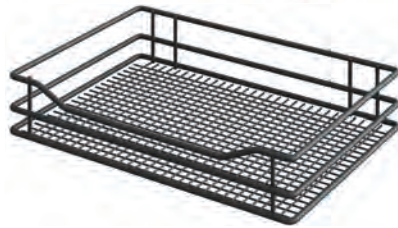
##### Planero® (PL)

- Solid steel rim wraps the outside of the basket
- A rubber insert lines the inside gap between the rim and the bottom of the basket
- Steel rim is offered in the Carbon Steel Gray finish
- Bottom of the basket is offered in Carbon Steel Gray and Walnut finishes



##### Scalea (SC)

- Thick wire wraps the outside of the basket
- Wire rim is offered in the Carbon Steel Gray finish
- Bottom of the basket is offered in Carbon Steel Gray, Walnut and Maple finishes



##### Saphir (SA)

- Thick wire wraps the outside of the basket
- Bottom of the basket is made of a wire mesh
- Wire rim is offered in the Carbon Steel Gray finish
- Bottom of the basket is offered in the Carbon Steel Gray finish

## CUSTOMIZABLE PANELS FOR VS ENVI® BMT PLANERO®



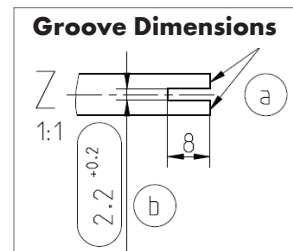
**VS ENVI® BMT Planero® Waste Container Pull-Outs are designed with the option of customizing its side panels**

Add your Custom Made Panels to the ENVI BMT Planero Waste Container Pull-Out and turn the Pull-Out into the signature piece of a kitchen.



### 3 Easy Steps to Customized Panels

1. Side panels can be made of solid wood, melamine, or laminate panels
2. **Cut your side panel to the size:**  
 Panel Size: Inch (mm): 21.85"(555mm)W x 7.60"(193mm) D x 0.31"(8mm) Thick  
 Dimension of Groove Deep = 0.31"(8mm)Deep x 0.09"(2.2mm)Groove Width
3. Slide the side panel into your unit for a customized look



A  
B  
C  
D  
E  
F  
G  
H  
I  
J  
K  
L  
M  
N  
O  
P  
Q  
R  
S  
T  
U  
V  
W  
X  
Y

**WÜRTH/VAUTH-SAGEL WASTE BIN PULL-OUTS**



**VS ENVI® BMT**

**Planero® Bottom Mount Waste Container Pull-Outs w/Soft-Close, Single Bin**



- Available in 35QT & 50QT
- Cam Adjustable Door Mount System
- Carbon Steel Gray Finish
- **Kit Includes:**
  - (1) Planero® Carriage w/Soft-Close
  - (1) Waste Bin
  - (1) Mini Storage Bin
- Sold in Kits

Item #	Bin Size	Min. Cabinet Opening for Face Frame	Min. Cabinet Opening for Frameless	Designed for Cabinet Size	Product Dimensions	Finish
WRENVIBMTPL135CSG	35QT	12"W	13"W	15" Base	11.26"W x 22.09"D x 19.30"H	Carbon Steel Gray
WRENVIBMTPL150CSG	50QT	12"W	13"W	15" Base	11.26"W x 22.09"D x 23.23"H	Carbon Steel Gray



**VS ENVI® BMT**

**Planero® Bottom Mount Waste Container Pull-Outs w/Soft-Close, Double Bins**



- Available in 35QT & 50QT
- Cam Adjustable Door Mount System
- Carbon Steel Gray Finish
- **Kit Includes:**
  - (1) Planero® Carriage w/Soft-Close
  - (2) Waste Bins
- Sold in Kits

Item #	Bin Size	Min. Cabinet Opening for Face Frame	Min. Cabinet Opening for Frameless	Designed for Cabinet Size	Product Dimensions	Finish
WRENVIBMTPL235CSG	35QT	15"W	16"W	18" Base	14.29"W x 22.09"D x 19.30"H	Carbon Steel Gray
WRENVIBMTPL250CSG	50QT	15"W	16"W	18" Base	14.29"W x 22.09"D x 23.23"H	Carbon Steel Gray

**WÜRTH/VAUTH-SAGEL WASTE BIN PULL-OUTS**



**VS ENVI® BMT, Platinum Line**  
**Planero® Bottom Mount Waste Container**  
**Pull-Outs w/Soft-Close, Single Bin**



- Available in 35QT & 50QT
- Cam Adjustable Door Mount System
- Platinum
- **Kit Includes:**
  - (1) Planero® Carriage w/Soft-Close
  - (1) Waste Bin
  - (1) Mini Storage Bin
- Sold in Kits

Item #	Bin Size	Min. Cabinet Opening for Face Frame	Min. Cabinet Opening for Frameless	Designed for Cabinet Size	Product Dimensions	Finish
WRENVIBMTPL135PLT	35QT	12"W	13"W	15" Base	11.26"W x 22.09"D x 19.30"H	Platinum
WRENVIBMTPL150PLT	50QT	12"W	13"W	15" Base	11.26"W x 22.09"D x 23.23"H	Platinum



**VS ENVI® BMT, Platinum Line**  
**Planero® Bottom Mount Waste Container**  
**Pull-Outs w/Soft-Close, Double Bins**



- Available in 35QT & 50QT
- Cam Adjustable Door Mount System
- Platinum
- **Kit Includes:**
  - (1) Planero® Carriage w/Soft-Close
  - (2) Waste Bins
- Sold in Kits

Item #	Bin Size	Min. Cabinet Opening for Face Frame	Min. Cabinet Opening for Frameless	Designed for Cabinet Size	Product Dimensions	Finish
WRENVIBMTPL235PLT	35QT	15"W	16"W	18" Base	14.29"W x 22.09"D x 19.30"H	Platinum
WRENVIBMTPL250PLT	50QT	15"W	16"W	18" Base	14.29"W x 22.09"D x 23.23"H	Platinum

A  
B  
C  
D  
E  
F  
G  
H  
I  
J  
K  
L  
M  
N  
O  
P  
Q  
R  
S  
T  
U  
V  
W  
X  
Y

**A WÜRTH/VAUTH-SAGEL WASTE BIN PULL-OUTS**

B  
C  
D  
E  
F  
G  
H  
I  
J  
K  
L  
M  
N  
O  
P  
Q  
R  
S  
T  
U  
V  
W  
X  
Y

**VS ENVI® BMT**

**Planero® Bottom Mount Waste Pull-Outs w/Soft-Close, Single Bin & Side Panels**

- Available in 35QT & 50QT
- Cam Adjustable Door Mount System
- Carbon Steel Gray Finish with either Maple or Walnut Side Panels
- **Kit Includes:**
  - (1) Planero Carriage w/Soft-Close
  - (1) Waste Bin
  - (1) Mini Storage Bin
  - (2) Side Panels
- Sold in Kits



Item #	Bin Size	Min. Cabinet Opening for Face Frame	Min. Cabinet Opening for Frameless	Designed for Cabinet Size	Product Dimensions	Finish	Side Panel Finish
WRENVIBMTPL135MPL	35QT	12"W	13"W	15" Base	11.26"W x 22.09"D x 19.30"H	Carbon Steel Gray	Maple
WRENVIBMTPL135WNT	35QT	12"W	13"W	15" Base	11.26"W x 22.09"D x 19.30"H	Carbon Steel Gray	Walnut
WRENVIBMTPL150MPL	50QT	12"W	13"W	15" Base	11.26"W x 22.09"D x 23.23"H	Carbon Steel Gray	Maple
WRENVIBMTPL150WNT	50QT	12"W	13"W	15" Base	11.26"W x 22.09"D x 23.23"H	Carbon Steel Gray	Walnut

**VS ENVI® BMT**

**Planero® Bottom Mount Waste Pull-Outs w/Soft-Close, Double Bins & Side Panels**

- Available in 35QT & 50QT
- Cam Adjustable Door Mount System
- Carbon Steel Gray Finish
- **Kit Includes:**
  - (1) Planero Carriage w/Soft-Close
  - (2) Waste Bins
  - (2) Side Panels
- Sold in Kits



Item #	Bin Size	Min. Cabinet Opening for Face Frame	Min. Cabinet Opening for Frameless	Designed for Cabinet Size	Product Dimensions	Finish	Side Panel Finish
WRENVIBMTPL235MPL	35QT	15"W	16"W	18" Base	14.29"W x 22.09"D x 19.30"H	Carbon Steel Gray	Maple
WRENVIBMTPL235WNT	35QT	15"W	16"W	18" Base	14.29"W x 22.09"D x 19.30"H	Carbon Steel Gray	Walnut
WRENVIBMTPL250MPL	50QT	15"W	16"W	18" Base	14.29"W x 22.09"D x 23.23"H	Carbon Steel Gray	Maple
WRENVIBMTPL250WNT	50QT	15"W	16"W	18" Base	14.29"W x 22.09"D x 23.23"H	Carbon Steel Gray	Walnut

**WÜRTH/VAUTH-SAGEL WASTE BIN PULL-OUTS**



**VS ENVI® BMT, Platinum Line**  
**Planero® Bottom Mount Waste Pull-Outs**  
**w/Soft-Close, Single Bin & Side Panels**



- Available in 35QT & 50QT
- Cam Adjustable Door Mount System
- Platinum with Maple Side Panels
- **Kit Includes:**
  - (1) Planero® Carriage w/Soft-Close
  - (1) Waste Bin
  - (1) Mini Storage Bin
  - (2) Side Panels
- Sold in Kits

Item #	Bin Size	Min. Cabinet Opening for Face Frame	Min. Cabinet Opening for Frameless	Designed for Cabinet Size	Product Dimensions	Finish	Side Panel Finish
WRENVIBMTPL135P-M	35QT	12"W	13"W	15" Base	11.26"W x 22.09"D x 19.30"H	Platinum	Maple
WRENVIBMTPL150P-M	50QT	12"W	13"W	15" Base	11.26"W x 22.09"D x 23.23"H	Platinum	Maple



**VS ENVI® BMT, Platinum Line**  
**Planero® Bottom Mount Waste Pull-Outs**  
**w/Soft-Close, Double Bins & Side Panels**



- Available in 35QT & 50QT
- Cam Adjustable Door Mount System
- Platinum with Maple Side Panels
- **Kit Includes:**
  - (1) Planero® Carriage w/Soft-Close
  - (2) Waste Bins
  - (2) Side Panels
- Sold in Kits

Item #	Bin Size	Min. Cabinet Opening for Face Frame	Min. Cabinet Opening for Frameless	Designed for Cabinet Size	Product Dimensions	Finish	Side Panel Finish
WRENVIBMTPL235P-M	35QT	15"W	16"W	18" Base	14.29"W x 22.09"D x 19.30"H	Platinum	Maple
WRENVIBMTPL250P-M	50QT	15"W	16"W	18" Base	14.29"W x 22.09"D x 23.23"H	Platinum	Maple

A  
B  
C  
D  
E  
F  
G  
H  
I  
J  
**K**  
L  
M  
N  
O  
P  
Q  
R  
S  
T  
U  
V  
W  
X  
Y

**A WÜRTH/VAUTH-SAGEL WASTE BIN PULL-OUTS**

B  
C  
D  
E  
F  
G  
H  
I  
J  
K  
L  
M  
N  
O  
P  
Q  
R  
S  
T  
U  
V  
W  
X  
Y



**VS ENVI® BMT**

**Saphir Bottom Mount Waste Container Pull-Outs w/Soft-Close, Single Bin**



- Available in 35QT & 50QT
- Adjustable Door Mount System
- **Kit Includes:**
  - (1) Saphir Carriage w/Soft-Close
  - (1) Waste Bin
  - (1) Mini Storage Bin
- Sold in Kits

Item #	Bin Size	Min. Cabinet Opening for Face Frame	Min. Cabinet Opening for Frameless	Designed for Cabinet Size	Product Dimensions	Finish
WRENVIBMTSA135CSG	35QT	12"W	13"W	15" Base	11.26"W x 21.97"D x 19.30"H	Carbon Steel Gray
WRENVIBMTSA150CSG	50QT	12"W	13"W	15" Base	11.26"W x 21.97"D x 23.23"H	Carbon Steel Gray



**VS ENVI® BMT**

**Saphir Bottom Mount Waste Container Pull-Outs w/Soft-Close, Double Bins**



- Available in 35QT & 50QT
- Adjustable Door Mount System
- Carbon Steel Gray Finish
- **Kit Includes:**
  - (1) Saphir Carriage w/Soft-Close
  - (2) Waste Bins
- Sold in Kits

Item #	Bin Size	Min. Cabinet Opening for Face Frame	Min. Cabinet Opening for Frameless	Designed for Cabinet Size	Product Dimensions	Finish
WRENVIBMTSA235CSG	35QT	15"W	16"W	18" Base	14.29"W x 21.97"D x 19.30"H	Carbon Steel Gray
WRENVIBMTSA250CSG	50QT	15"W	16"W	18" Base	14.29"W x 21.97"D x 23.23"H	Carbon Steel Gray

**WÜRTH/VAUTH-SAGEL WASTE BIN PULL-OUTS**



**VS ENVI® BMT, Platinum Line**  
**Saphir Bottom Mount Waste Container**  
**Pull-Outs w/Soft-Close, Single Bin**



- Available in 35QT & 50QT
- Adjustable Door Mount System
- Platinum Finish
- **Kit Includes:**
  - (1) Saphir® Carriage w/Soft-Close
  - (1) Waste Bin
  - (1) Mini Storage Bin
- Sold in Kits

Item #	Bin Size	Min. Cabinet Opening for Face Frame	Min. Cabinet Opening for Frameless	Designed for Cabinet Size	Product Dimensions	Finish
WRENVIBMTSA135PLT	35QT	12"W	13"W	15" Base	11.26"W x 21.97"D x 19.30"H	Platinum
WRENVIBMTSA150PLT	50QT	12"W	13"W	15" Base	11.26"W x 21.97"D x 23.23"H	Platinum



**VS ENVI® BMT, Platinum Line**  
**Saphir Bottom Mount Waste Container**  
**Pull-Outs w/Soft-Close, Double Bins**



- Available in 35QT & 50QT
- Adjustable Door Mount System
- Platinum Finish
- **Kit Includes:**
  - (1) Saphir® Carriage w/Soft-Close
  - (2) Waste Bins
- Sold in Kits

Item#	Bin Size	Min. Cabinet Opening for Face Frame	Min. Cabinet Opening for Frameless	Designed for Cabinet Size	Product Dimensions	Finish
WRENVIBMTSA235PLT	35QT	15"W	16"W	18" Base	14.29"W x 21.97"D x 19.30"H	Platinum
WRENVIBMTSA250PLT	50QT	15"W	16"W	18" Base	14.29"W x 21.97"D x 23.23"H	Platinum

A  
B  
C  
D  
E  
F  
G  
H  
I  
J  
K  
L  
M  
N  
O  
P  
Q  
R  
S  
T  
U  
V  
W  
X  
Y

**A WÜRTH/VAUTH-SAGEL WASTE BIN PULL-OUTS**

B  
C  
D  
E  
F  
G  
H  
I  
J  
K  
L  
M  
N  
O  
P  
Q  
R  
S  
T  
U  
V  
W  
X  
Y

**VS ENVI® Space XX**

**Top Mount Waste Container Pull-Outs w/Soft-Close, Single Bin**



- Available in 31QT
  - Face Frame Pull-Out Designed for 1-1/2" Face Frame
  - Integrated cam shaft 3-D front adjustment
  - Integrated soft-closing and self-closing in both synchronized runners
  - EasyFit: tool-free installation of bin support onto the runners
  - Integral installation template: no measuring necessary when installing into cabinet
  - Minimum installation depth: 20.3125"
  - Cabinet Opening Height: 20-1/2"
  - Carbon Steel Gray Finish
  - Sold in Kits
- Kit Includes:
- (1) Top Mount Carriage w/Lid & Soft-Close
  - (1) 31QT Waste Bin w/Collapsible Handles
  - (1) 1.5QT Mini Bin



Item #	Bin Size	Designed for Cabinet Size	Cabinet Opening	Product Dimensions	Finish	Type of Cabinet
WRENVIS131FF15CSG	31QT	15" Base	12"W	12"W x 20.35"D x 19.05"H	Carbon Steel Gray	Face Frame
WRENVIS131FL15CSG	31QT	15" Base	13.5"W	13.50"W x 20.31"D x 18.90"H	Carbon Steel Gray	Frameless

**VS ENVI® Space XX**

**Top Mount Waste Container Pull-Outs w/Soft-Close, Double Bins**



- Available in 31QT
- Face Frame Pull-Out Designed for 1-1/2" Face Frame
- Integrated cam shaft 3-D front adjustment
- Integrated soft-closing and self-closing in both synchronized runners
- EasyFit: tool-free installation of bin support onto the runners
- Integral installation template: no measuring necessary when installing into cabinet
- Minimum installation depth: 20.3125"
- Cabinet Opening Height: 20-1/2"
- Carbon Steel Gray Finish
- Kit Includes:
- (1) Top Mount Carriage w/Lid & Soft-Close
- (2) 31QT Waste Bins w/Collapsible Handles
- Sold in Kits



Item #	Bin Size	Designed for Cabinet Size	Cabinet Opening	Product Dimensions	Finish	Type of Cabinet
WRENVIS231FF18CSG	31QT	18" Base	15"W	15"W x 20.35"D x 19.05"H	Carbon Steel Gray	Face Frame
WRENVIS231FL18CSG	31QT	18" Base	16.5"W	16.50"W x 20.31"D x 18.90"H	Carbon Steel Gray	Frameless
WRENVIS231FF21CSG	31QT	21" Base	18"W	18"W x 20.35"D x 19.05"H	Carbon Steel Gray	Face Frame
WRENVIS231FL21CSG	31QT	21" Base	19.5"W	19.5"W x 20.31"D x 18.90"H	Carbon Steel Gray	Frameless



## WÜRTH/VAUTH-SAGEL WASTE BIN PULL-OUTS

### VS ENVI® Space XX, Platinum Line

#### Top Mount Waste Container Pull-Outs w/Soft-Close, Single Bin



- Available in 31QT
  - Face Frame Pull-Out Designed for 1-1/2" Face Frame
  - Integrated cam shaft 3-D front adjustment
  - Integrated soft-closing and self-closing in both synchronized runners
  - EasyFit: tool-free installation of bin support onto the runners
  - Integral installation template: no measuring necessary when installing into cabinet
  - Minimum installation depth: 20-5/16"
  - Cabinet Opening Height: 20-1/2"
  - Platinum Finish
  - Sold in Kits
- Kit Includes:**
- (1) Top Mount Carriage w/Lid & Soft-Close
  - (1) 31QT Waste Bin w/Collapsible Handles
  - (1) 1.5QT Mini Bin

Item #	Bin Size	Designed for Cabinet Size	Cabinet Opening	Product Dimensions	Finish	Type of Cabinet
WRENVIS131FF15PLT	31QT	15" Base	12"W	12"W x 20.35"D x 19.05"H	Platinum	Face Frame
WRENVIS131FL15PLT	31QT	15" Base	13.5"W	13.50"W x 20.31"D x 18.90"H	Platinum	Frameless

### VS ENVI® Space XX, Platinum Line

#### Top Mount Waste Container Pull-Outs w/Soft-Close, Double Bins



- Available in 31QT
- Face Frame Pull-Out Designed for 1-1/2" Face Frame
- Integrated cam shaft 3-D front adjustment
- Integrated soft-closing and self-closing in both synchronized runners
- EasyFit: tool-free installation of bin support onto the runners
- Integral installation template: no measuring necessary when installing into cabinet
- Minimum installation depth: 20-5/16"
- Cabinet Opening Height: 20-1/2"
- Platinum Finish
- **Kit Includes:**
  - (1) Top Mount Carriage w/Lid & Soft-Close
  - (2) 31QT Waste Bins w/Collapsible Handles
- Sold in Kits

Item #	Bin Size	Designed for Cabinet Size	Cabinet Opening	Product Dimensions	Finish	Type of Cabinet
WRENVIS231FF18PLT	31QT	18" Base	15"W	15"W x 20.35"D x 19.05"H	Platinum	Face Frame
WRENVIS231FL18PLT	31QT	18" Base	16.5"W	16.50"W x 20.31"D x 18.90"H	Platinum	Frameless
WRENVIS231FF21PLT	31QT	21" Base	18"W	18"W x 20.35"D x 19.05"H	Platinum	Face Frame
WRENVIS231FL21PLT	31QT	21" Base	19.5"W	19.5"W x 20.31"D x 18.90"H	Platinum	Frameless

A  
B  
C  
D  
E  
F  
G  
H  
I  
J  
K  
L  
M  
N  
O  
P  
Q  
R  
S  
T  
U  
V  
W  
X  
Y

**A WÜRTH/VAUTH-SAGEL WASTE BIN PULL-OUTS**

**B**  
**C**  
**D**  
**E**  
**F**  
**G**  
**H**  
**I**  
**J**  
**K**  
**L**  
**M**  
**N**  
**O**  
**P**  
**Q**  
**R**  
**S**  
**T**  
**U**  
**V**  
**W**  
**X**  
**Y**

**VS ENVI® Space XX**



**Top Mount Waste Container Pull-Outs w/Soft-Close, Three Bins**

- Available in 31QT
- Face Frame Pull-Out Designed for 1-1/2" Face Frame
- Integrated cam shaft 3-D front adjustment
- Integrated soft-closing and self-closing in both synchronized runners
- EasyFit: tool-free installation of bin support onto the runners
- Integral installation template: no measuring necessary when installing into cabinet
- Minimum installation depth: 20.3125"
- Cabinet Opening Height: 20-1/2"
- Carbon Steel Gray Finish
- **Kit Includes:**
  - (1) Top Mount Carriage w/Lid & Soft-Close
  - (2) 31QT Waste Bins w/Collapsible Handles
  - (1) Mini Bin
- Sold in Kits



Item #	Bin Size	Designed for Cabinet Size	Cabinet Opening	Product Dimensions	Finish	Type of Cabinet
WRENVIS231FF24CSG	(2) 31QT & (1) 10QT	24" Base	21"W	21"W x 20.35"D x 19.05"H	Carbon Steel Gray	Face Frame
WRENVIS231FL24CSG	(2) 31QT & (1) 22QT	24" Base	22.5"W	22.50"W x 20.31"D x 18.90"H	Carbon Steel Gray	Frameless



## WÜRTH/VAUTH-SAGEL WASTE BIN PULL-OUTS

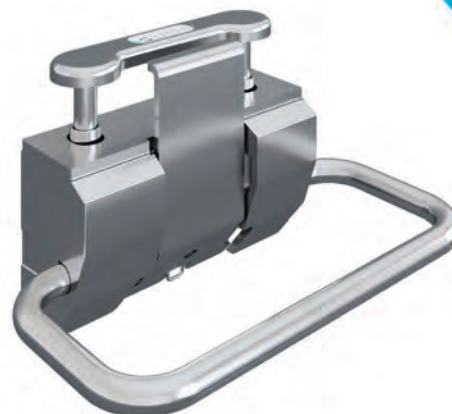
### VS ENVI® Space XX, Platinum Line Top Mount Waste Container Pull-Outs w/Soft-Close, Three Bins



- Available in 31QT
- Face Frame Pull-Out Designed for 1-1/2" Face Frame
- Integrated cam shaft 3-D front adjustment
- Integrated soft-closing and self-closing in both synchronized runners
- EasyFit: tool-free installation of bin support onto the runners
- Integral installation template: no measuring necessary when installing into cabinet
- Minimum installation depth: 20-5/16"
- Cabinet Opening Height: 20-1/2"
- Platinum Finish
- **Kit Includes:**
  - (1) Top Mount Carriage w/Lid & Soft-Close
  - (2) 31QT Waste Bins w/Collapsible Handles
  - (1) Mini Bin
- Sold in Kits

Item #	Bin Size	Designed for Cabinet Size	Cabinet Opening	Product Dimensions	Finish	Type of Cabinet
WRENVIS231FF24PLT	(2) 31QT & (1) 10QT	24" Base	21"W	21"W x 20.35"D 19.05"H	Platinum	Face Frame
WRENVIS231FL24PLT	(2) 31QT & (1) 10QT	24" Base	22.5"W	22.50"W x 20.31"D 18.90"H	Platinum	Frameless

### VS ENVI® Kick Hands-Free Door Opening Foot Pedal



- Simple and hands-free door opening using foot pedal
- Minimum toe kick height: 70 mm, **Frameless Cabinets ONLY**
- For all front pull-outs for example VS ENVI Space with self-closing and soft-closing
- Easy installation with installation template provided with the kit
- Minimum required space under the waste bin systems or drawers
- Pedal is returned to starting position by a string
- Virtually silent
- A thick plastic sticker is included to protect door

Item #	Description	Type of Cabinet
WRENVIKICKFLCHR	Hands-free door opening foot pedal	Frameless

A  
B  
C  
D  
E  
F  
G  
H  
I  
J  
K  
L  
M  
N  
O  
P  
Q  
R  
S  
T  
U  
V  
W  
X  
Y

A  
B  
C  
D  
E  
F  
G  
H  
I  
J  
K  
L  
M  
N  
O  
P  
Q  
R  
S  
T  
U  
V  
W  
X  
Y

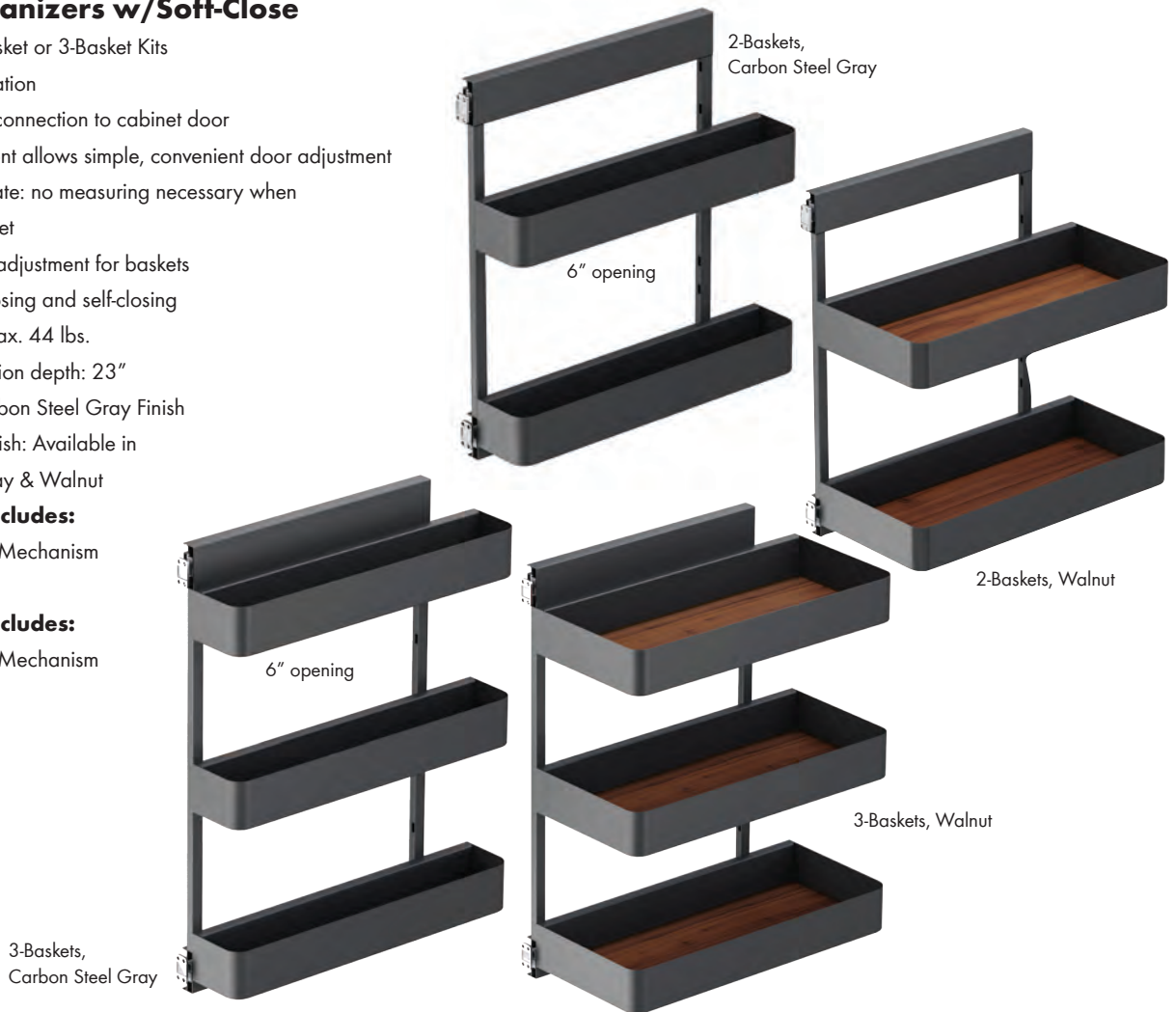
# WÜRTH/VAUTH-SAGEL BASE CABINET PULL-OUT ORGANIZERS

## VS SUB® Side



### Planero® 2-Baskets & 3-Baskets Base Cabinet Organizers w/Soft-Close

- Available in 2-Basket or 3-Basket Kits
- Unhanded installation
- EasyFit: tool-free connection to cabinet door
- 3D front adjustment allows simple, convenient door adjustment
- Installation template: no measuring necessary when installing in cabinet
- Individual height adjustment for baskets
- Integrated soft-closing and self-closing
- Load capacity: max. 44 lbs.
- Minimum installation depth: 23"
- Frame Finish: Carbon Steel Gray Finish
- Basket Bottom Finish: Available in Carbon Steel Gray & Walnut
- **2-Basket Kit Includes:**
  - (1) Frame/Slide Mechanism
  - (2) Baskets
- **3-Basket Kit Includes:**
  - (1) Frame/Slide Mechanism
  - (3) Baskets
- Sold in Kits



Carbon Steel Gray Basket Item #	Walnut Basket Item #	Number of Baskets	Designed for Cab Size	Minimum Cabinet Opening Sizes	Basket Size
WRSUBPL2B620CSG	WRSUBPL2B620WNT	2	9" Base	6"W x 20.5"H	4.09"W x 22.05"D x 3.15"H
WRSUBPL2B625CSG	WRSUBPL2B625WNT	2	9" Base	6"W x 25.5"H	4.09"W x 22.05"D x 3.15"H
WRSUBPL2B630CSG	WRSUBPL2B630WNT	2	9" Base	6"W x 30.5"H	4.09"W x 22.05"D x 3.15"H
WRSUBPL2B1220CSG	WRSUBPL2B1220WNT	2	15" Base	12"W x 20.5"H	10.05"W x 22.05"D x 3.15"H
WRSUBPL2B1225CSG	WRSUBPL2B1225WNT	2	15" Base	12"W x 25.5"H	10.05"W x 22.05"D x 3.15"H
WRSUBPL2B1230CSG	WRSUBPL2B1230WNT	2	15" Base	12"W x 30.5"H	10.05"W x 22.05"D x 3.15"H
WRSUBPL3B625CSG	WRSUBPL3B625WNT	3	9" Base	6"W x 25.5"H	4.09"W x 22.05"D x 3.15"H
WRSUBPL3B630CSG	WRSUBPL3B630WNT	3	9" Base	6"W x 30.5"H	4.09"W x 22.05"D x 3.15"H
WRSUBPL3B1225CSG	WRSUBPL3B1225WNT	3	15" Base	12"W x 25.5"H	10.05"W x 22.05"D x 3.15"H
WRSUBPL3B1230CSG	WRSUBPL3B1230WNT	3	15" Base	12"W x 30.5"H	10.05"W x 22.05"D x 3.15"H

# WÜRTH/VAUTH-SAGEL BASE CABINET PULL-OUT ORGANIZERS

## VS SUB® Side



### Scalea 2-Baskets & 3-Baskets Base Cabinet Organizers w/Soft-Close

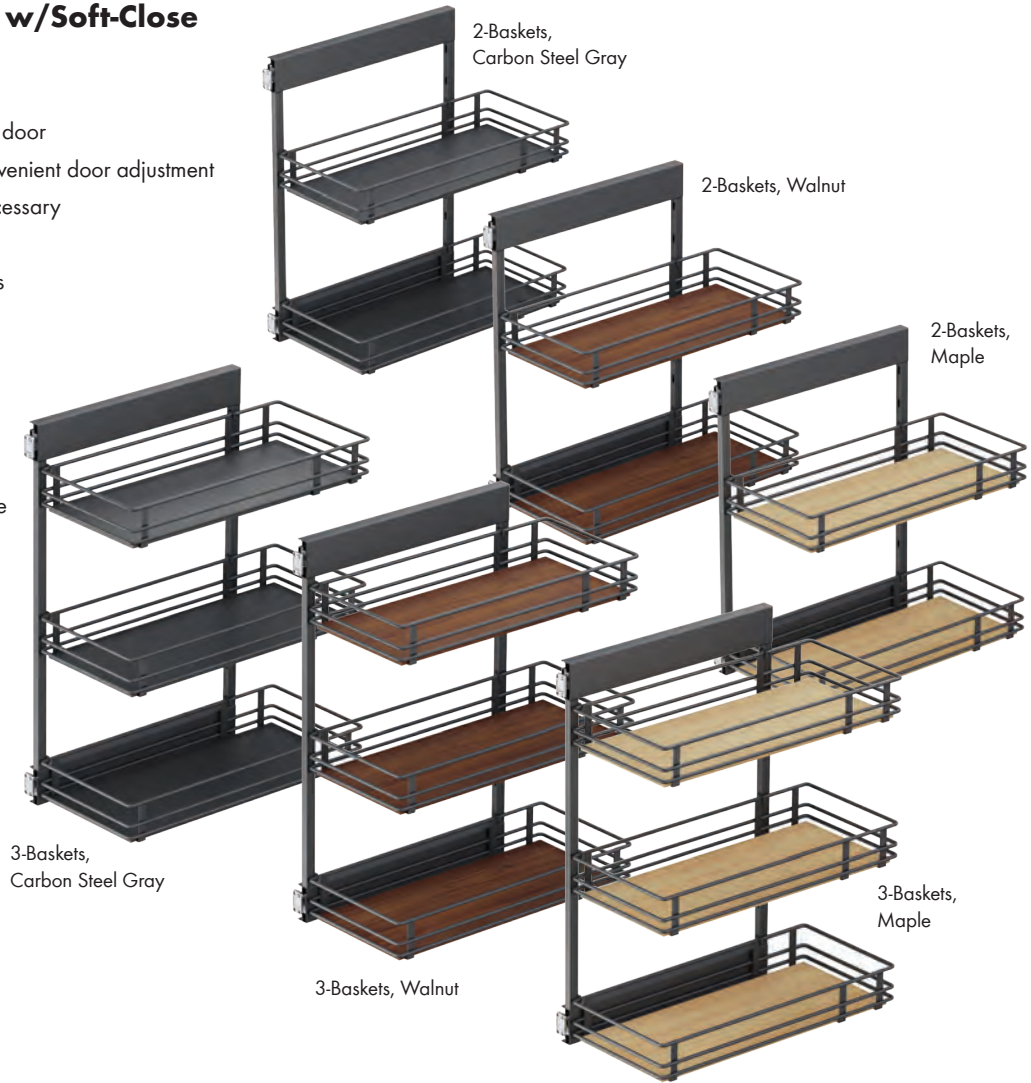
- Available in 2-Basket or 3-Basket Kits
- Unhanded installation
- EasyFit: tool-free connection to cabinet door
- 3D front adjustment allows simple, convenient door adjustment
- Installation template: no measuring necessary when installing in cabinet
- Individual height adjustment for baskets
- Integrated soft-closing and self-closing
- Load capacity: max. 44 lbs.
- Minimum installation depth: 23"
- Frame Finish: Carbon Steel Gray Finish
- Basket Bottom Finish: Available in Carbon Steel Gray, Walnut and Maple

**• 2-Basket Kit Includes:**

- (1) Frame/Slide Mechanism
- (2) Baskets

**• 3-Basket Kit Includes:**

- (1) Frame/Slide Mechanism
- (3) Baskets
- Sold in Kits



Carbon Steel Gray Baskets Item #	Walnut Baskets Item #	Maple Baskets Item #	# of Baskets	For Cab Size	Min. Cab Opening	Basket Size
WRSUBSC2B620CSG	WRSUBSC2B620WNT	WRSUBSC2B620MPL	2	9" Base	6"W x 20.5"H	4.09"W x 22.05"D x 3.15"H
WRSUBSC2B625CSG	WRSUBSC2B625WNT	WRSUBSC2B625MPL	2	9" Base	6"W x 25.5"H	4.09"W x 22.05"D x 3.15"H
WRSUBSC2B630CSG	WRSUBSC2B630WNT	WRSUBSC2B630MPL	2	9" Base	6"W x 30.5"H	4.09"W x 22.05"D x 3.15"H
WRSUBSC2B1220CSG	WRSUBSC2B1220WNT	WRSUBSC2B1220MPL	2	15" Base	12"W x 20.5"H	10.05"W x 22.05"D x 3.15"H
WRSUBSC2B1225CSG	WRSUBSC2B1225WNT	WRSUBSC2B1225MPL	2	15" Base	12"W x 25.5"H	10.05"W x 22.05"D x 3.15"H
WRSUBSC2B1230CSG	WRSUBSC2B1230WNT	WRSUBSC2B1230MPL	2	15" Base	12"W x 30.5"H	10.05"W x 22.05"D x 3.15"H
WRSUBSC3B625CSG	WRSUBSC3B625WNT	WRSUBSC3B625MPL	3	9" Base	6"W x 25.5"H	4.09"W x 22.05"D x 3.15"H
WRSUBSC3B630CSG	WRSUBSC3B630WNT	WRSUBSC3B630MPL	3	9" Base	6"W x 30.5"H	4.09"W x 22.05"D x 3.15"H
WRSUBSC3B1225CSG	WRSUBSC3B1225WNT	WRSUBSC3B1225MPL	3	15" Base	12"W x 25.5"H	10.05"W x 22.05"D x 3.15"H
WRSUBSC3B1230CSG	WRSUBSC3B1230WNT	WRSUBSC3B1230MPL	3	15" Base	12"W x 30.5"H	10.05"W x 22.05"D x 3.15"H

A  
B  
C  
D  
E  
F  
G  
H  
I  
J  
K  
L  
M  
N  
O  
P  
Q  
R  
S  
T  
U  
V  
W  
X  
Y

**A WÜRTH/VAUTH-SAGEL BASE CABINET PULL-OUT ORGANIZERS**

**VS SUB® Side, Platinum Line  
Scalea 2-Baskets & 3-Baskets  
Base Cabinet Organizers w/Soft-Close**



- Available in 2-Basket or 3-Basket Kits
- Unhanded installation
- EasyFit: tool-free connection to cabinet door
- 3D front adjustment allows simple, convenient door adjustment
- Installation template: no measuring necessary when installing in cabinet
- Individual height adjustment for baskets
- Integrated soft-closing and self-closing
- Load capacity: max. 44 lbs.
- Minimum installation depth: 23"
- Frame Finish: Platinum Finish
- Basket Bottom Finish: Maple
- **2-Basket Kit Includes:**
  - (1) Frame/Slide Mechanism
  - (2) Baskets
- **3-Basket Kit Includes:**
  - (1) Frame/Slide Mechanism
  - (3) Baskets
- Sold in Kits



Item #	# of Baskets	For Cabinet Size	Minimum Cabinet Opening	Basket Size	Basket Bottom Finish
WRSUBSC2B620P-M	2	9" Base	6"W x 20.5"H	4.09"W x 22.05"D x 3.15"H	Maple
WRSUBSC2B625P-M	2	9" Base	6"W x 25.5"H	4.09"W x 22.05"D x 3.15"H	Maple
WRSUBSC2B630P-M	2	9" Base	6"W x 30.5"H	4.09"W x 22.05"D x 3.15"H	Maple
WRSUBSC2B1220P-M	2	15" Base	12"W x 20.5"H	10.05"W x 22.05"D x 3.15"H	Maple
WRSUBSC2B1225P-M	2	15" Base	12"W x 25.5"H	10.05"W x 22.05"D x 3.15"H	Maple
WRSUBSC2B1230P-M	2	15" Base	12"W x 30.5"H	10.05"W x 22.05"D x 3.15"H	Maple
WRSUBSC3B625P-M	3	9" Base	6"W x 25.5"H	4.09"W x 22.05"D x 3.15"H	Maple
WRSUBSC3B630P-M	3	9" Base	6"W x 30.5"H	4.09"W x 22.05"D x 3.15"H	Maple
WRSUBSC3B1225P-M	3	15" Base	12"W x 25.5"H	10.05"W x 22.05"D x 3.15"H	Maple
WRSUBSC3B1230P-M	3	15" Base	12"W x 30.5"H	10.05"W x 22.05"D x 3.15"H	Maple

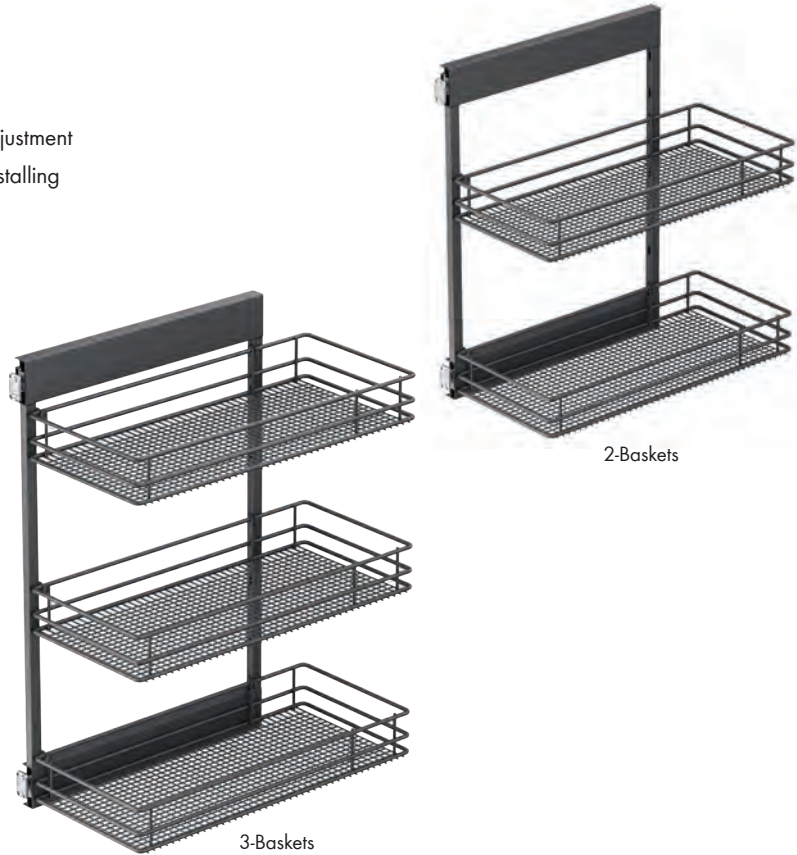
**WÜRTH/VAUTH-SAGEL BASE CABINET PULL-OUT ORGANIZERS**

**VS SUB® Side**

**Saphir 2-Baskets & 3-Baskets  
Base Cabinet Organizers w/Soft-Close**



- Available in 2-Basket or 3-Basket Kits
- Unhanded installation
- EasyFit: tool-free connection to cabinet door
- 3D front adjustment allows simple, convenient door adjustment
- Installation template: no measuring necessary when installing in cabinet
- Individual height adjustment for baskets
- Integrated soft-closing and self-closing
- Load capacity: max. 44 lbs.
- Minimum installation depth: 23"
- Frame Finish: Carbon Steel Gray Finish
- Basket Bottom Finish: Carbon Steel Gray
- **2-Basket Kit Includes:**
  - (1) Frame/Slide Mechanism
  - (2) Baskets
- **3-Basket Kit Includes:**
  - (1) Frame/Slide Mechanism
  - (3) Baskets
- Sold in Kits



2-Baskets

3-Baskets

Item #	Number of Baskets	Designed for Cab Size	Minimum Cabinet Opening Sizes	Basket Size	Basket Bottom Finish
WRSUBSA2B620CSG	2	9" Base	6"W x 20.5"H	4.09"W x 22.05"D x 3.15"H	Carbon Steel Gray
WRSUBSA2B625CSG	2	9" Base	6"W x 25.5"H	4.09"W x 22.05"D x 3.15"H	Carbon Steel Gray
WRSUBSA2B630CSG	2	9" Base	6"W x 30.5"H	4.09"W x 22.05"D x 3.15"H	Carbon Steel Gray
WRSUBSA2B1220CSG	2	15" Base	12"W x 20.5"H	10.05"W x 22.05"D x 3.15"H	Carbon Steel Gray
WRSUBSA2B1225CSG	2	15" Base	12"W x 25.5"H	10.05"W x 22.05"D x 3.15"H	Carbon Steel Gray
WRSUBSA2B1230CSG	2	15" Base	12"W x 30.5"H	10.05"W x 22.05"D x 3.15"H	Carbon Steel Gray
WRSUBSA3B625CSG	3	9" Base	6"W x 25.5"H	4.09"W x 22.05"D x 3.15"H	Carbon Steel Gray
WRSUBSA3B630CSG	3	9" Base	6"W x 30.5"H	4.09"W x 22.05"D x 3.15"H	Carbon Steel Gray
WRSUBSA3B1225CSG	3	15" Base	12"W x 25.5"H	10.05"W x 22.05"D x 3.15"H	Carbon Steel Gray
WRSUBSA3B1230CSG	3	15" Base	12"W x 30.5"H	10.05"W x 22.05"D x 3.15"H	Carbon Steel Gray

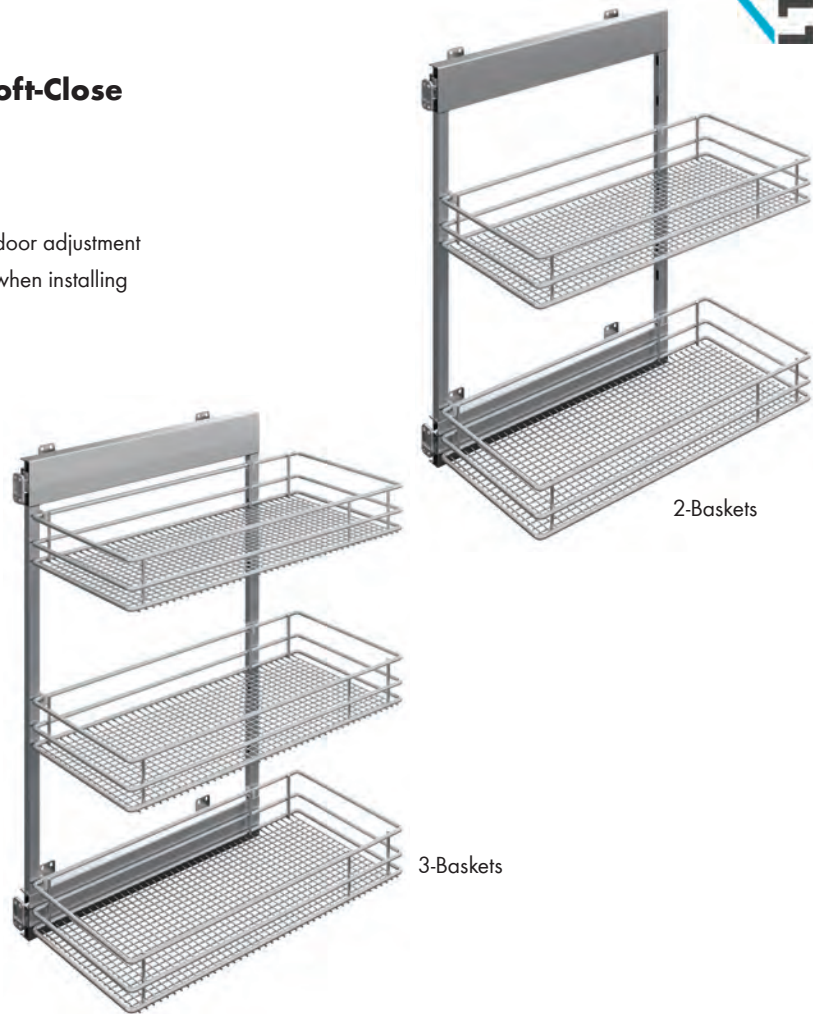
A  
B  
C  
D  
E  
F  
G  
H  
I  
J  
K  
L  
M  
N  
O  
P  
Q  
R  
S  
T  
U  
V  
W  
X  
Y

**A WÜRTH/VAUTH-SAGEL BASE CABINET PULL-OUT ORGANIZERS**

**B**  
**C**  
**D**  
**E**  
**F**  
**G**  
**H**  
**I**  
**J**  
**K**  
**L**  
**M**  
**N**  
**O**  
**P**  
**Q**  
**R**  
**S**  
**T**  
**U**  
**V**  
**W**  
**X**  
**Y**

**VS SUB® Side, Platinum Line Saphir 2-Baskets & 3-Baskets Base Cabinet Organizers w/Soft-Close**

- Available in 2-Basket or 3-Basket Kits
- Unhanded installation
- EasyFit: tool-free connection to cabinet door
- 3D front adjustment allows simple, convenient door adjustment
- Installation template: no measuring necessary when installing in cabinet
- Individual height adjustment for baskets
- Integrated soft-closing and self-closing
- Load capacity: max. 44 lbs.
- Minimum installation depth: 23"
- Frame Finish: Platinum Finish
- Basket Bottom Finish: Maple
- **2-Basket Kit Includes:**
  - (1) Frame/Slide Mechanism
  - (2) Baskets
- **3-Basket Kit Includes:**
  - (1) Frame/Slide Mechanism
  - (3) Baskets
- Sold in Kits



2-Baskets

3-Baskets

Item #	# of Baskets	For Cabinet Size	Minimum Cabinet Opening	Basket Size
WRSUBSA2B620PLT	2	9" Base	6"W x 20.5"H	4.09"W x 22.05"D x 3.15"H
WRSUBSA2B625PLT	2	9" Base	6"W x 25.5"H	4.09"W x 22.05"D x 3.15"H
WRSUBSA2B630PLT	2	9" Base	6"W x 30.5"H	4.09"W x 22.05"D x 3.15"H
WRSUBSA2B1220PLT	2	15" Base	12"W x 20.5"H	10.05"W x 22.05"D x 3.15"H
WRSUBSA2B1225PLT	2	15" Base	12"W x 25.5"H	10.05"W x 22.05"D x 3.15"H
WRSUBSA2B1230PLT	2	15" Base	12"W x 30.5"H	10.05"W x 22.05"D x 3.15"H
WRSUBSA3B625PLT	3	9" Base	6"W x 25.5"H	4.09"W x 22.05"D x 3.15"H
WRSUBSA3B630PLT	3	9" Base	6"W x 30.5"H	4.09"W x 22.05"D x 3.15"H
WRSUBSA3B1225PLT	3	15" Base	12"W x 25.5"H	10.05"W x 22.05"D x 3.15"H
WRSUBSA3B1230PLT	3	15" Base	12"W x 30.5"H	10.05"W x 22.05"D x 3.15"H



**WÜRTH/VAUTH-SAGEL BLIND CORNER ORGANIZERS**

**CORNERSTONE® MAXX**

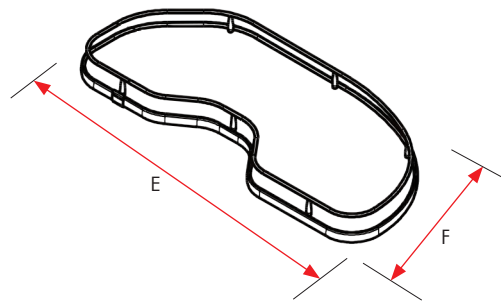


**Planero® Blind Corner Pull-Out w/PAM® & Soft-Close**

- Load capacity: max. 55 lbs. per shelf
- Unhanded installation
- Installation height: 25-1/5" - 33-1/2"
- EasyFit: tool-free assembly of shelf elements on the support arms
- PAM®: power assisted movement for soft-open and soft-close
- Installation template: no measuring necessary when installing
- Simple height adjustment, even when installed
- Shelves can be moved in and out independently
- Floating design due to hidden fastening
- Frame Finish: Carbon Steel Gray Finish
- Tray Bottom Finish: Available in Carbon Steel Gray & Walnut
- If the blind space is to the right, then the correct trays are Cornerstone Maxx Left Trays
- If the blind space is to the left, then the correct trays are Cornerstone Maxx Right Trays

**• 2-Tray Kit Includes:**

- (1) Slide Mechanism w/PAM Movement
  - (2) Trays
- Sold in Kits



Left Tray Kit Item #	Right Tray Kit Item #	Designed for Cabinet Size	Min Cab Opening Size	Tray Size	Tray Bottom Finish
WRCMAXXPL15LCSG	WRCMAXXPL15RCSG	36"W Blind	15"W	33"W ( E ) x 14.68"D ( F ) x 2.56"H	Carbon Steel Gray
WRCMAXXPL15LWNT	WRCMAXXPL15RWNT	36"W Blind	15"W	33"W ( E ) x 14.68"D ( F ) x 2.56"H	Walnut
WRCMAXXPL18LCSG	WRCMAXXPL18RCSG	39"W Blind	18"W	37"W ( E ) x 16.65"D ( F ) x 2.56"H	Carbon Steel Gray
WRCMAXXPL18LWNT	WRCMAXXPL18RWNT	39"W Blind	18"W	37"W ( E ) x 16.65"D ( F ) x 2.56"H	Walnut
WRCMAXXPL21LCSG	WRCMAXXPL21RCSG	39"W Blind	21"W	37"W ( E ) x 18.19"D ( F ) x 2.56"H	Carbon Steel Gray
WRCMAXXPL21LWNT	WRCMAXXPL21RWNT	39"W Blind	21"W	37"W ( E ) x 18.19"D ( F ) x 2.56"H	Walnut

A  
B  
C  
D  
E  
F  
G  
H  
I  
J  
K  
L  
M  
N  
O  
P  
Q  
R  
S  
T  
U  
V  
W  
X  
Y

A

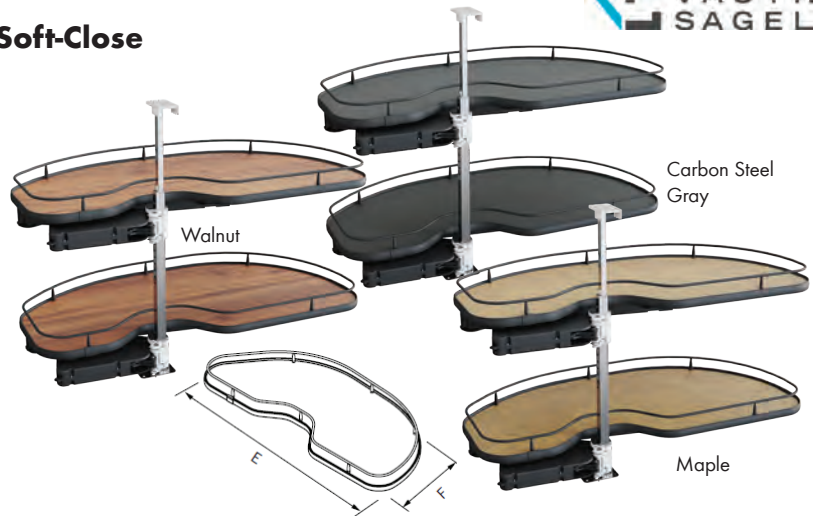
# WÜRTH/VAUTH-SAGEL BLIND CORNER ORGANIZERS

B

## CORNERSTONE® MAXX

### Scalea Blind Corner Pull-Out w/PAM® & Soft-Close

- Load capacity: max. 55 lbs. per shelf
- Installation height: 25-1/5" - 33-1/2"
- PAM®: power assisted movement for soft-open and soft-close
- Installation template: no measuring necessary when installing
- Shelves can be moved in and out independently
- Frame Finish: Carbon Steel Gray Finish
- If the blind space is to the right, then the correct trays are Cornerstone Maxx Left Trays
- If the blind space is to the left, then the correct trays are Cornerstone Maxx Right Trays
- **2-Tray Kit Includes:**
  - (1) Slide Mechanism w/PAM Movement
  - (2) Trays
- Sold in Kits



C

D

E

F

G

H

I

J

K

Left Tray Kit Item #	Right Tray Kit Item #	Designed for Cabinet Size	Min. Cabinet Opening Size	Tray Size	Tray Bottom Finish
WRCMAXXSC15LCSG	WRCMAXXSC15RCSG	36"W Blind	15"W	33"W ( E ) x 14.68"D ( F ) x 2.36"H	Carbon Steel Gray
WRCMAXXSC15LWNT	WRCMAXXSC15RWNT	36"W Blind	15"W	33"W ( E ) x 14.68"D ( F ) x 2.36"H	Walnut
WRCMAXXSC15LMPL	WRCMAXXSC15RMPL	36"W Blind	15"W	33"W ( E ) x 14.68"D ( F ) x 2.36"H	Maple
WRCMAXXSC18LCSG	WRCMAXXSC18RCSG	39"W Blind	18"W	37"W ( E ) x 16.65"D ( F ) x 2.36"H	Carbon Steel Gray
WRCMAXXSC18LWNT	WRCMAXXSC18RWNT	39"W Blind	18"W	37"W ( E ) x 16.65"D ( F ) x 2.36"H	Walnut
WRCMAXXSC18LMPL	WRCMAXXSC18RMPL	39"W Blind	18"W	37"W ( E ) x 16.65"D ( F ) x 2.36"H	Maple
WRCMAXXSC21LCSG	WRCMAXXSC21RCSG	39"W Blind	21"W	37"W ( E ) x 18.19"D ( F ) x 2.36"H	Carbon Steel Gray
WRCMAXXSC21LWNT	WRCMAXXSC21RWNT	39"W Blind	21"W	37"W ( E ) x 18.19"D ( F ) x 2.36"H	Walnut
WRCMAXXSC21LMPL	WRCMAXXSC21RMPL	39"W Blind	21"W	37"W ( E ) x 18.19"D ( F ) x 2.36"H	Maple

L

M

N

O

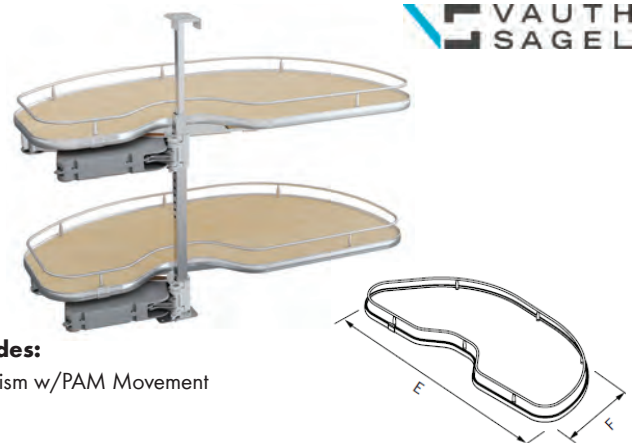
P

Q

## CORNERSTONE® MAXX, Platinum Line

### Scalea Blind Corner Pull-Out w/PAM® & Soft-Close

- Load capacity: max. 55 lbs. per shelf
- Installation height: 25-1/5" - 33-1/2"
- PAM®: power assisted movement for soft-open and soft-close
- Installation template: no measuring necessary when installing
- Shelves can be moved in and out independently
- Frame Finish: Platinum & Tray Bottom Finish: Maple
- If the blind space is to the right, then the correct trays are Cornerstone Maxx Left Trays
- If the blind space is to the left, then the correct trays are Cornerstone Maxx Right Trays
- Sold in Kits



- **2-Tray Kit Includes:**
  - (1) Slide Mechanism w/PAM Movement
  - (2) Trays

R

S

T

U

V

W

X

Y

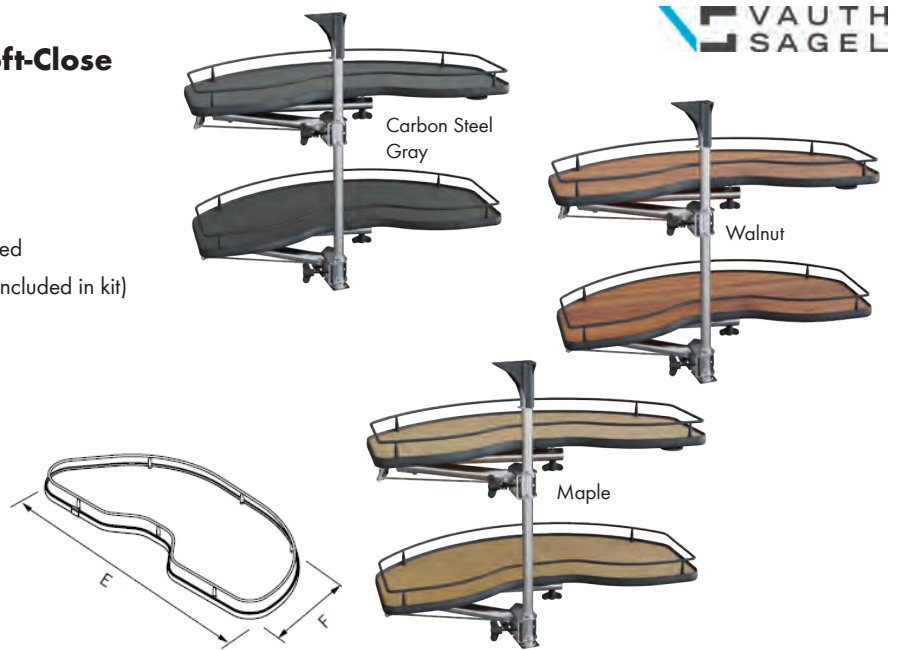
Left Tray Kit Item #	Right Tray Kit Item #	For Cabinet Size	Min. Cabinet Opening	Tray Size	Tray Bottom
WRCMAXXSC15LP-M	WRCMAXXSC15RP-M	36"W Blind	15"W	33"W ( E ) x 14.68"D ( F ) x 2.36"H	Maple
WRCMAXXSC18LP-M	WRCMAXXSC18RP-M	39"W Blind	18"W	37"W ( E ) x 16.65"D ( F ) x 2.36"H	Maple
WRCMAXXSC21LP-M	WRCMAXXSC21RP-M	39"W Blind	21"W	37"W ( E ) x 18.19"D ( F ) x 2.36"H	Maple

## WÜRTH/VAUTH-SAGEL BLIND CORNER ORGANIZERS

### CORNERSTONE® Swing

#### Scalea Blind Corner Pull-Out w/Soft-Close

- Load capacity: max. 40 lbs. per shelf
- Minimum installation depth: 19.3125"
- Unhanded installation
- Installation height: 25.6" - 27.2"
- Easy assembly - only support tube needs to be mounted
- Bottom shelf has the option of attaching to the door (included in kit)
- Post Hardware Finish: Silver
- Tray Bottom Finish: Available in Carbon Steel Gray, Walnut and Maple
- **2-Tray Kit Includes:**
  - (1) Slide Mechanism w/Soft-Close & (2) Trays and Door Mount hardware for bottom tray
- Sold in Kits



Carbon Steel Gray Tray Item #	Walnut Tray Item #	Maple Tray Item #	Designed for Cabinet Size	Min. Cabinet Opening	Tray Size
WRCSWINGSC18CSG	WRCSWINGSC18WNT	WRCSWINGSC18MPL	36"W Blind	18"W	30.55"W ( E ) x 14.80"D ( F ) x 2.36"H
WRCSWINGSC21CSG	WRCSWINGSC21WNT	WRCSWINGSC21MPL	39"W Blind	21"W	32.16"W ( E ) x 15.98"D ( F ) x 2.36"H
WRCSWINGSC24CSG	WRCSWINGSC24WNT	WRCSWINGSC24MPL	39"W Blind	24"W	36.18"W ( E ) x 15.90"D ( F ) x 2.36"H

### CORNERSTONE® Swing, Platinum Line

#### Scalea Blind Corner Pull-Out w/Soft-Close

- Load capacity: max. 40 lbs. per shelf
- Minimum installation depth: 19.3125"
- Unhanded installation
- Installation height: 25.6" - 27.2"
- Easy assembly - only support tube needs to be mounted
- Bottom shelf has the option of attaching to the door (included in kit)
- Post Hardware Finish: Platinum
- Tray Bottom Finish: Maple
- **2-Tray Kit Includes:**
  - (1) Slide Mechanism w/Soft-Close & (2) Trays and Door Mount hardware for bottom tray
- Sold in Kits



Maple Tray Item #	For Cabinet Size	Min Cabinet Opening	Tray Size	Tray Bottom
WRCSWINGSC18P-M	36"W Blind	18"W	30.55"W ( E ) x 14.80"D ( F ) x 2.36"H	Maple
WRCSWINGSC21P-M	39"W Blind	21"W	32.16"W ( E ) x 15.98"D ( F ) x 2.36"H	Maple
WRCSWINGSC24P-M	39"W Blind	24"W	36.18"W ( E ) x 15.90"D ( F ) x 2.36"H	Maple

A  
B  
C  
D  
E  
F  
G  
H  
I  
J  
K  
L  
M  
N  
O  
P  
Q  
R  
S  
T  
U  
V  
W  
X  
Y

**A WÜRTH/VAUTH-SAGEL BLIND CORNER ORGANIZERS**

B  
C  
D  
E  
F  
G  
H  
I  
J  
K  
L  
M  
N  
O  
P  
Q  
R  
S  
T  
U  
V  
W  
X  
Y

**VS COR® Flex**

**Planero® Full Access Blind Corner Pull-Out w/Soft-Close**



- Minimum installation depth: 21-5/8"
- Minimum installation height: 20-1/3"
- Unhanded installation
- Integrated soft-closing and self-closing on both pull-outs
- Installation template: no measuring necessary
- Maximum load: 17 lbs. per shelf
- Frame Finish: Carbon Steel Gray
- Tray Bottom Finish: Available in Carbon Steel Gray & Walnut

**• 4-Tray Kit Includes:**

- (1) Frame/Slide Mechanism w/Soft-Close
- (4) Trays
- Sold in Kits



Carbon Steel Gray Tray Item #	Walnut Tray Item #	Designed for Cabinet Size	Min Cab Opening Size	Front Tray Size	Back Tray Size
WRCORFLEXPL15CSG	WRCORFLEXPL15WNT	36"W Blind	15"W	11.02"W x 16.34"D x 3.15"H	11.02"W x 19.69"D x 3.15"H
WRCORFLEXPL17CSG	WRCORFLEXPL17WNT	39"W Blind	17.5"W	13.78"W x 16.34"D x 3.15"H	12.80"W x 19.69"D x 3.15"H

**VS COR® Flex**

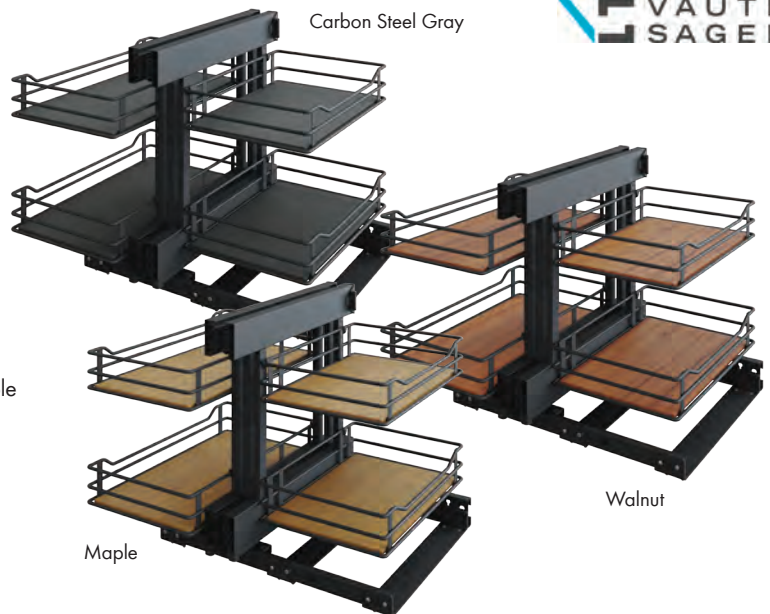
**Scalea Full Access Blind Corner Pull-Out w/Soft-Close**



- Minimum installation depth: 21-5/8"
- Minimum installation height: 20-1/3"
- Unhanded installation
- Integrated soft-closing and self-closing on both pull-outs
- Installation template: no measuring necessary
- Maximum load: 17 lbs. per shelf
- Frame Finish: Carbon Steel Gray
- Tray Bottom Finish: Available in Carbon Steel Gray, Walnut & Maple

**• 4-Tray Kit Includes:**

- (1) Frame/Slide Mechanism w/Soft-Close
- (4) Trays
- Sold in Kits



Carbon Steel Gray Tray Item #	Walnut Tray Item #	Maple Tray Item #	Designed for Cabinet Size	Min. Cabinet Opening Size	Front Tray Size	Back Tray Size
WRCORFLEXSC15CSG	WRCORFLEXSC15WNT	WRCORFLEXSC15MPL	36"W Blind	15"W	11.02"W x 16.34"D x 3.15"H	11.02"W x 19.69"D x 3.15"H
WRCORFLEXSC17CSG	WRCORFLEXSC17WNT	WRCORFLEXSC17MPL	39"W Blind	17.5"W	13.78"W x 16.34"D x 3.15"H	12.80"W x 19.69"D x 3.15"H

**WÜRTH/VAUTH-SAGEL BLIND CORNER ORGANIZERS**

A  
B  
C  
D  
E  
F  
G  
H  
I  
J  
K  
L  
M  
N  
O  
P  
Q  
R  
S  
T  
U  
V  
W  
X  
Y



**VS COR® Flex, Platinum Line**



**Scalea Full Access Blind Corner Pull-Out w/Soft-Close**

- Minimum installation depth: 21-5/8"
- Minimum installation height: 20-1/3"
- Unhanded installation
- Integrated soft-closing and self-closing on both pull-outs
- Installation template: no measuring necessary
- Maximum load: 17 lbs. per shelf
- Frame Finish: Platinum
- Tray Bottom Finish: Maple
- **4-Tray Kit Includes:**
  - (1) Frame/Slide Mechanism w/Soft-Close
  - (4) Trays
- Sold in Kits

Maple Tray Item #	Designed For Cabinet Size	Min. Cabinet Opening Size	Front Tray Size	Back Tray Size
WRCORFLEXSC15P-M	36"W Blind	15"W	11.02"W x 16.34"D x 3.15"H	11.02"W x 19.69"D x 3.15"H
WRCORFLEXSC17P-M	39"W Blind	17.5"W	13.78"W x 16.34"D x 3.15"H	12.80"W x 19.69"D x 3.15"H



**A WÜRTH/VAUTH-SAGEL BLIND CORNER ORGANIZERS**

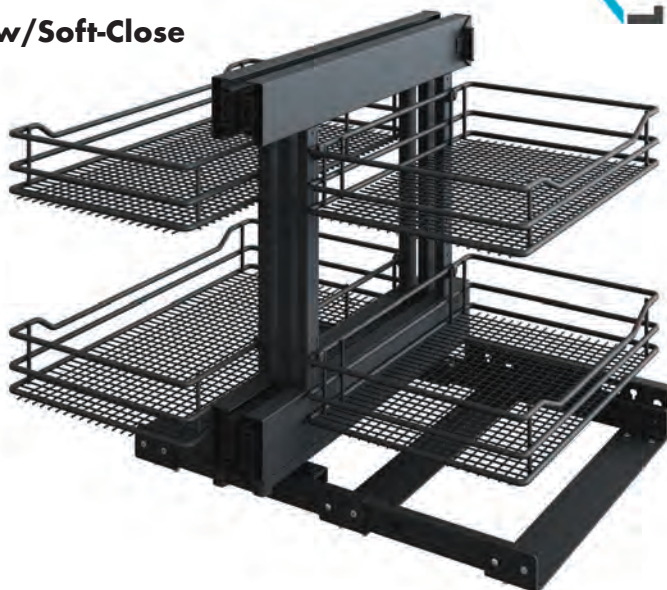
B  
C  
D  
E  
F  
G  
H  
I  
J  
K  
L  
M  
N  
O  
P  
Q  
R  
S  
T  
U  
V  
W  
X  
Y

**VS COR® Flex**

**Saphir Full Access Blind Corner Pull-Out w/Soft-Close**



- Minimum installation depth: 21-5/8"
- Minimum installation height: 20-1/3"
- Unhanded installation
- Integrated soft-closing and self-closing on both pull-outs
- Installation template: no measuring necessary
- Maximum load: 17 lbs. per shelf
- Frame Finish: Carbon Steel Gray
- Tray Bottom Finish: Carbon Steel Gray Wire
- **4-Tray Kit Includes:**
  - (1) Frame/Slide Mechanism w/Soft-Close
  - (4) Trays
- Sold in Kits



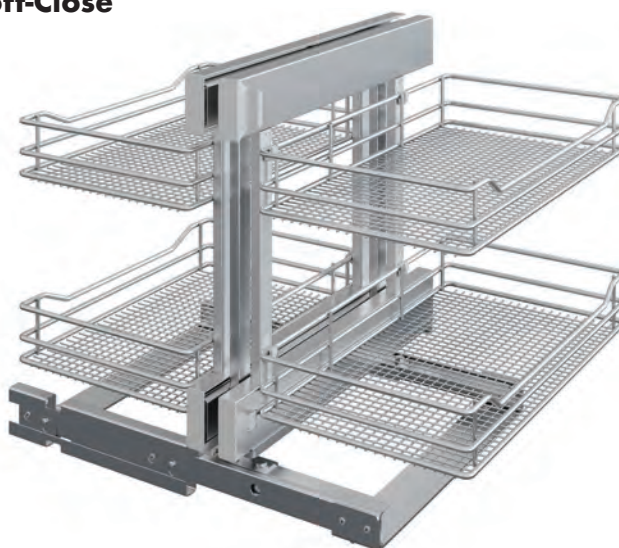
Carbon Steel Gray Tray Item #	Designed for Cabinet Size	Min. Cabinet Opening Size	Front Tray Size	Back Tray Size
WRCORFLEXSA15CSG	36"W Blind	15"W	11.02"W x 16.34"D x 3.15"H	11.02"W x 19.69"D x 3.15"H
WRCORFLEXSA17CSG	39"W Blind	17.5"W	13.78"W x 16.34"D x 3.15"H	12.80"W x 19.69"D x 3.15"H

**VS COR® Flex, Platinum Line**

**Saphir Full Access Blind Corner Pull-Out w/Soft-Close**



- Minimum installation depth: 21-5/8"
- Minimum installation height: 20-1/3"
- Unhanded installation
- Integrated soft-closing and self-closing on both pull-outs
- Installation template: no measuring necessary
- Maximum load: 17 lbs. per shelf
- Frame Finish: Platinum
- Tray Bottom Finish: Platinum
- **4-Tray Kit Includes:**
  - (1) Frame/Slide Mechanism w/Soft-Close
  - (4) Trays
- Sold in Kits



Platinum Item #	Designed For Cabinet Size	Min. Cabinet Opening Size	Front Tray Size	Back Tray Size
WRCORFLEXSA15PLT	36"W Blind	15"W	11.02"W x 16.34"D x 3.15"H	11.02"W x 19.69"D x 3.15"H
WRCORFLEXSA17PLT	39"W Blind	17.5"W	13.78"W x 16.34"D x 3.15"H	12.80"W x 19.69"D x 3.15"H

## WÜRTH/VAUTH-SAGEL BLIND CORNER ORGANIZERS

### VS COR® Wheel Pro



#### Planero® 2-Tray Kidney & Round "Poleless" Lazy Susan Kits

- Poleless design has 20% more storage space vs a design with a pole
- Minimum height: 24.375"
- Minimum side installation depth: 19.29"
- EasyFit: tool-free installation of storage units onto the supporting arms
- Load capacity: max. 60 lbs. per shelf
- Can be installed into an existing kitchen
- Frame Finish: Carbon Steel Gray
- Tray Bottom Finish: Available in Carbon Steel Gray & Walnut
- **2-Tray Kit Includes:**
  - (1) Frame & (2) Trays
- Sold in Kits



Kidney, Carbon Steel Gray

Round, Walnut

Carbon Steel Gray Tray Item #	Walnut Tray Item #	Lazy Susan Shape	Designed for Cabinet Size	Tray Size
WRCORWHPLK27CSG	WRCORWHPLK27WNT	Kidney	32" x 32"	26.75" Dia.
WRCORWHPLK29CSG	WRCORWHPLK29WNT	Kidney	36" x 36"	30" Dia.
WRCORWHPLR27CSG	WRCORWHPLR27WNT	Full Round	32" x 32"	26.75" Dia.
WRCORWHPLR29CSG	WRCORWHPLR29WNT	Full Round	36" x 36"	30" Dia.

### VS COR® Wheel Pro



#### Scalea 2-Tray Kidney & Round "Poleless" Lazy Susan Kits

- Poleless design has 20% more storage space vs a design with a pole
- Minimum height: 24.375"
- Minimum side installation depth: 19.29"
- EasyFit: tool-free installation of storage units onto the supporting arms
- Load capacity: max. 60 lbs. per shelf
- Can be installed into an existing kitchen
- Frame Finish: Carbon Steel Gray
- Tray Bottom Finish: Available in Carbon Steel Gray, Walnut & Maple
- **2-Tray Kit Includes:**
  - (1) Frame & (2) Trays
- Sold in Kits



Kidney, Carbon Steel Gray

Round, Walnut

Kidney, Maple

Carbon Steel Gray Tray Item #	Walnut Tray Item #	Maple Tray Item #	Lazy Susan Shape	Designed for Cabinet Size	Tray Size
WRCORWHSCCK27CSG	WRCORWHSCCK27WNT	WRCORWHSCCK27MPL	Kidney	32" x 32"	26.75" Dia.
WRCORWHSCCK29CSG	WRCORWHSCCK29WNT	WRCORWHSCCK29MPL	Kidney	36" x 36"	30" Dia.
WRCORWHSCR27CSG	WRCORWHSCR27WNT	WRCORWHSCR27MPL	Full Round	32" x 32"	26.75" Dia.
WRCORWHSCR29CSG	WRCORWHSCR29WNT	WRCORWHSCR29MPL	Full Round	36" x 36"	30" Dia.

A  
B  
C  
D  
E  
F  
G  
H  
I  
J  
K  
L  
M  
N  
O  
P  
Q  
R  
S  
T  
U  
V  
W  
X  
Y

A  
B  
C  
D  
E  
F  
G  
H  
I  
J  
K  
L  
M  
N  
O  
P  
Q  
R  
S  
T  
U  
V  
W  
X  
Y

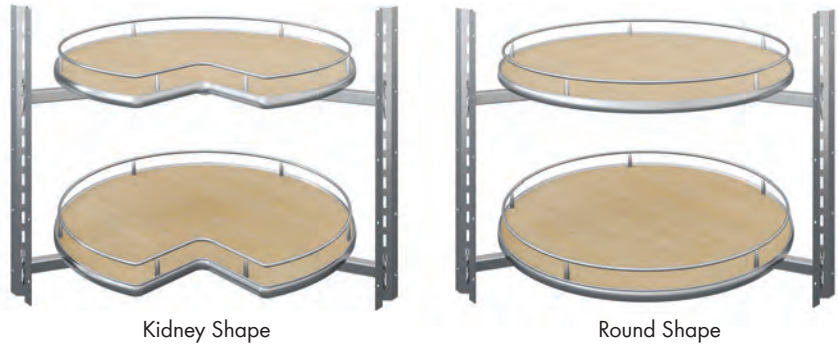
## WÜRTH/VAUTH-SAGEL BLIND CORNER ORGANIZERS

### VS COR® Wheel Pro, Platinum Line



#### Scalea 2-Tray Kidney & Round "Poleless" Lazy Susan Kits

- Poleless design has 20% more storage space vs a design with a pole
- Minimum height: 24.375"
- Minimum side installation depth: 19.29"
- EasyFit: tool-free installation of storage units onto the supporting arms
- Load capacity: max. 60 lbs. per shelf
- Can be installed into an existing kitchen
- Frame Finish: Platinum
- Tray Bottom Finish: Maple
- **2-Tray Kit Includes:**
  - (1) Frame & (2) Trays
- Sold in Kits



Kidney Shape

Round Shape

Maple Tray Item #	Lazy Susan Shape	Designed For Cabinet Size	Tray Size
WRCORWHSCCK27P-M	Kidney	32" x 32"	26.75" Dia.
WRCORWHSCCK29P-M	Kidney	36" x 36"	30" Dia.
WRCORWHSCR27P-M	Full Round	32" x 32"	26.75" Dia.
WRCORWHSCR29P-M	Full Round	36" x 36"	30" Dia.

### VS COR Susan, Platinum Line



#### Polymer Lazy Susan Kits

- Rigid double wall construction with conical ribs guarantee a high weight capacity
- Independent rotation of trays
- Telescoping post: 26" - 32"
- Available in round & kidney shapes
- Post Finish: Platinum
- Tray Finish: White
- **2-Tray Kit Includes:**
  - (1) Post & (2) Trays
- Sold in Kits



Kidney Shape

Round Shape

Maple Tray Item #	Lazy Susan Shape	Designed For Cabinet Width Size	Tray Size
WRVSUSANK18WHT	Kidney	24"	18" Dia.
WRVSUSANK24WHT	Kidney	27"	24" Dia.
WRVSUSANK28WHT	Kidney	39"	28" Dia.
WRVSUSANK32WHT	Kidney	42"	32" Dia.
WRVSUSANR18WHT	Full Round	24"	18" Dia.
WRVSUSANR24WHT	Full Round	27"	24" Dia.
WRVSUSANR28WHT	Full Round	39"	28" Dia.
WRVSUSANR32WHT	Full Round	42"	32" Dia.



## WÜRTH/VAUTH-SAGEL PANTRY PULL-OUT ORGANIZERS

### VS TAL® Pantry

#### Planero® 3-Basket, 4-Basket & 5-Basket Pantry Pull-Outs w/PAM® & Soft-Close



- Available in 3-Basket, 4-Basket, or 5-Basket Kits
- Unhanded installation
- EasyFit: self-locking system for tool-free installation of frame into upper and lower guide rails
- 3-D front adjustment allows for simple door adjustment
- Individual height adjustment for baskets
- Heavy-duty, noise-reducing roller guides
- Synchronized upper and lower end stops
- Full synchronized bottom runner
- PAM Power Assisted Movement In Pull-Out Direction
- Self-closing and soft-closing
- Minimum Installation Depth: 23"
- Total load capacity: max. 265 lbs.
- Frame Finish: Carbon Steel Gray Finish
- Basket Bottom Finish: Available in Carbon Steel Gray & Walnut
- 3-Basket Kit Includes: (1) Frame/Glides, (1) PAM Mechanism & (3) Baskets
- 4-Basket Kit Includes: (1) Frame/Glides, (1) PAM Mechanism & (4) Baskets
- 5-Basket Kit Includes: (1) Frame/Glides, (1) PAM Mechanism & (5) Baskets
- Sold in Kits



Carbon Steel Gray Basket Item #	Walnut Basket Item #	# of Baskets	Min. Cabinet Width Opening	Cabinet Height Opening	Designed For Cabinet Size	Basket Size
WRTALPPL3B937CSG	WRTALPPL3B937WNT	3	9"	37.5" - 47.25"	12"	8.50"W x 20.98"D x 3.15H
WRTALPPL3B1237CSG	WRTALPPL3B1237WNT	3	12"	37.5" - 47.25"	15"	11.50"W x 20.98"D x 3.15H
WRTALPPL3B1537CSG	WRTALPPL3B1537WNT	3	15"	37.5" - 47.25"	18"	14.50"W x 20.98"D x 3.15H
WRTALPPL3B1837CSG	WRTALPPL3B1837WNT	3	18"	37.5" - 47.25"	21"	17.50"W x 20.98"D x 3.15H
WRTALPPL3B2137CSG	WRTALPPL3B2137WNT	3	21"	37.5" - 47.25"	24"	20.47"W x 20.98"D x 3.15H
WRTALPPL4B947CSG	WRTALPPL4B947WNT	4	9"	47.25" - 57"	12"	8.50"W x 20.98"D x 3.15H
WRTALPPL4B1247CSG	WRTALPPL4B1247WNT	4	12"	47.25" - 57"	15"	11.50"W x 20.98"D x 3.15H
WRTALPPL4B1547CSG	WRTALPPL4B1547WNT	4	15"	47.25" - 57"	18"	14.50"W x 20.98"D x 3.15H
WRTALPPL4B1847CSG	WRTALPPL4B1847WNT	4	18"	47.25" - 57"	21"	17.50"W x 20.98"D x 3.15H
WRTALPPL4B2147CSG	WRTALPPL4B2147WNT	4	21"	47.25" - 57"	24"	20.47"W x 20.98"D x 3.15H
WRTALPPL4B957CSG	WRTALPPL4B957WNT	4	9"	57" - 67"	12"	8.50"W x 20.98"D x 3.15H
WRTALPPL4B1257CSG	WRTALPPL4B1257WNT	4	12"	57" - 67"	15"	11.50"W x 20.98"D x 3.15H
WRTALPPL4B1557CSG	WRTALPPL4B1557WNT	4	15"	57" - 67"	18"	14.50"W x 20.98"D x 3.15H
WRTALPPL4B1857CSG	WRTALPPL4B1857WNT	4	18"	57" - 67"	21"	17.50"W x 20.98"D x 3.15H
WRTALPPL4B2157CSG	WRTALPPL4B2157WNT	4	21"	57" - 67"	24"	20.47"W x 20.98"D x 3.15H
WRTALPPL5B967CSG	WRTALPPL5B967WNT	5	9"	67" - 76.75"	12"	8.50"W x 20.98"D x 3.15H
WRTALPPL5B1267CSG	WRTALPPL5B1267WNT	5	12"	67" - 76.75"	15"	11.50"W x 20.98"D x 3.15H
WRTALPPL5B1567CSG	WRTALPPL5B1567WNT	5	15"	67" - 76.75"	18"	14.50"W x 20.98"D x 3.15H
WRTALPPL5B1867CSG	WRTALPPL5B1867WNT	5	18"	67" - 76.75"	21"	17.50"W x 20.98"D x 3.15H
WRTALPPL5B2167CSG	WRTALPPL5B2167WNT	5	21"	67" - 76.75"	24"	20.47"W x 20.98"D x 3.15H

A  
B  
C  
D  
E  
F  
G  
H  
I  
J  
K  
L  
M  
N  
O  
P  
Q  
R  
S  
T  
U  
V  
W  
X  
Y

**A WÜRTH/VAUTH-SAGEL PANTRY PULL-OUT ORGANIZERS**

B  
C  
D  
E  
F  
G  
H  
I  
J  
K  
L  
M  
N  
O  
P  
Q  
R  
S  
T  
U  
V  
W  
X  
Y

**VS TAL® Pantry**

**Scalea 3-Basket, 4-Basket & 5-Basket Pantry Pull-Outs w/PAM® & Soft-Close**

- Available in 3-Basket, 4-Basket, or 5-Basket Kits
- Unhanded installation
- EasyFit: self-locking system for tool-free installation of frame into upper and lower guide rails
- 3-D front adjustment allows for simple door adjustment
- Individual height adjustment for baskets
- Heavy-duty, noise-reducing roller guides
- Synchronized upper and lower end stops
- Full synchronized bottom runner
- PAM Power Assisted Movement In Pull-Out Direction
- Self-closing and soft-closing
- Minimum Installation Depth: 23"
- Total load capacity: max. 265 lbs.
- Frame Finish: Carbon Steel Gray Finish
- Basket Bottom Finish: Available in Carbon Steel Gray, Walnut & Maple
- **3-Basket Kit Includes:** (1) Frame/Glides, (1) PAM Mechanism & (3) Baskets
- **4-Basket Kit Includes:** (1) Frame/Glides, (1) PAM Mechanism & (4) Baskets
- **5-Basket Kit Includes:** (1) Frame/Glides, (1) PAM Mechanism & (5) Baskets
- Sold in Kits



Carbon Steel Gray Basket Item #	Walnut Basket Item #	Maple Basket Item #	# of Baskets	Min. Cab. Width Opening	Cabinet Height Opening	For Cab Size	Basket Size
WRTALPSC3B937CSG	WRTALPSC3B937WNT	WRTALPSC3B937MPL	3	9"W	37.5" - 47.25"	12"	8.50"W x 20.98"D x 3.15"H
WRTALPSC3B1237CSG	WRTALPSC3B1237WNT	WRTALPSC3B1237MPL	3	12"W	37.5" - 47.25"	15"	11.50"W x 20.98"D x 3.15"H
WRTALPSC3B1537CSG	WRTALPSC3B1537WNT	WRTALPSC3B1537MPL	3	15"W	37.5" - 47.25"	18"	14.50"W x 20.98"D x 3.15"H
WRTALPSC3B1837CSG	WRTALPSC3B1837WNT	WRTALPSC3B1837MPL	3	18"W	37.5" - 47.25"	21"	17.50"W x 20.98"D x 3.15"H
WRTALPSC3B2137CSG	WRTALPSC3B2137WNT	WRTALPSC3B2137MPL	3	21"W	37.5" - 47.25"	24"	20.47"W x 20.98"D x 3.15"H
WRTALPSC4B947CSG	WRTALPSC4B947WNT	WRTALPSC4B947MPL	4	9"W	47.25" - 57"	12"	8.50"W x 20.98"D x 3.15"H
WRTALPSC4B1247CSG	WRTALPSC4B1247WNT	WRTALPSC4B1247MPL	4	12"W	47.25" - 57"	15"	11.50"W x 20.98"D x 3.15"H
WRTALPSC4B1547CSG	WRTALPSC4B1547WNT	WRTALPSC4B1547MPL	4	15"W	47.25" - 57"	18"	14.50"W x 20.98"D x 3.15"H
WRTALPSC4B1847CSG	WRTALPSC4B1847WNT	WRTALPSC4B1847MPL	4	18"W	47.25" - 57"	21"	17.50"W x 20.98"D x 3.15"H
WRTALPSC4B2147CSG	WRTALPSC4B2147WNT	WRTALPSC4B2147MPL	4	21"W	47.25" - 57"	24"	20.47"W x 20.98"D x 3.15"H
WRTALPSC4B957CSG	WRTALPSC4B957WNT	WRTALPSC4B957MPL	4	9"W	57" - 67"	12"	8.50"W x 20.98"D x 3.15"H
WRTALPSC4B1257CSG	WRTALPSC4B1257WNT	WRTALPSC4B1257MPL	4	12"W	57" - 67"	15"	11.50"W x 20.98"D x 3.15"H
WRTALPSC4B1557CSG	WRTALPSC4B1557WNT	WRTALPSC4B1557MPL	4	15"W	57" - 67"	18"	14.50"W x 20.98"D x 3.15"H
WRTALPSC4B1857CSG	WRTALPSC4B1857WNT	WRTALPSC4B1857MPL	4	18"W	57" - 67"	21"	17.50"W x 20.98"D x 3.15"H
WRTALPSC4B2157CSG	WRTALPSC4B2157WNT	WRTALPSC4B2157MPL	4	21"W	57" - 67"	24"	20.47"W x 20.98"D x 3.15"H
WRTALPSC5B967CSG	WRTALPSC5B967WNT	WRTALPSC5B967MPL	5	9"W	67" - 76.75"	12"	8.50"W x 20.98"D x 3.15"H
WRTALPSC5B1267CSG	WRTALPSC5B1267WNT	WRTALPSC5B1267MPL	5	12"W	67" - 76.75"	15"	11.50"W x 20.98"D x 3.15"H
WRTALPSC5B1567CSG	WRTALPSC5B1567WNT	WRTALPSC5B1567MPL	5	15"W	67" - 76.75"	18"	14.50"W x 20.98"D x 3.15"H
WRTALPSC5B1867CSG	WRTALPSC5B1867WNT	WRTALPSC5B1867MPL	5	18"W	67" - 76.75"	21"	17.50"W x 20.98"D x 3.15"H
WRTALPSC5B2167CSG	WRTALPSC5B2167WNT	WRTALPSC5B2167MPL	5	21"W	67" - 76.75"	24"	20.47"W x 20.98"D x 3.15"H

## WÜRTH/VAUTH-SAGEL PANTRY PULL-OUT ORGANIZERS

### VS TAL® Pantry, Platinum Line Scalea 3-Basket, 4-Basket & 5-Basket Pantry Pull-Outs w/PAM® & Soft-Close

- Available in 3-Basket, 4-Basket or 5-Basket Kits
- Unhanded installation
- EasyFit: self-locking system for tool-free installation of frame into upper and lower guide rails
- 3-D front adjustment allows for simple door adjustment
- Individual height adjustment for baskets
- Heavy-duty, noise-reducing roller guides
- Synchronized upper and lower end stops
- Full synchronized bottom runner
- PAM Power Assisted Movement In Pull-Out Direction
- Self-closing and soft-closing
- Minimum Installation Depth: 23"
- Total load capacity: max. 265 lbs.
- Frame Finish: Platinum
- Basket Bottom Finish: Maple
- **3-Basket Kit Includes:** (1) Frame/Glides, (1) PAM Mechanism & (3) Baskets
- **4-Basket Kit Includes:** (1) Frame/Glides, (1) PAM Mechanism & (4) Baskets
- **5-Basket Kit Includes:** (1) Frame/Glides, (1) PAM Mechanism & (5) Baskets
- Sold in Kits



Maple Basket Item #	# of Baskets	Min. Cabinet Width Opening	Cabinet Height Opening	For Cab Size	Basket Size
WRTALPSC3B937P-M	3	9"W	37.5" - 47.25"	12"	8.50"W x 20.98"D 3.15"H
WRTALPSC3B1237P-M	3	12"W	37.5" - 47.25"	15"	11.50"W x 20.98"D 3.15"H
WRTALPSC3B1537P-M	3	15"W	37.5" - 47.25"	18"	14.50"W x 20.98"D 3.15"H
WRTALPSC3B1837P-M	3	18"W	37.5" - 47.25"	21"	17.50"W x 20.98"D 3.15"H
WRTALPSC3B2137P-M	3	21"W	37.5" - 47.25"	24"	20.47"W x 20.98"D 3.15"H
WRTALPSC4B947P-M	4	9"W	47.25" - 57"	12"	8.50"W x 20.98"D 3.15"H
WRTALPSC4B1247P-M	4	12"W	47.25" - 57"	15"	11.50"W x 20.98"D 3.15"H
WRTALPSC4B1547P-M	4	15"W	47.25" - 57"	18"	14.50"W x 20.98"D 3.15"H
WRTALPSC4B1847P-M	4	18"W	47.25" - 57"	21"	17.50"W x 20.98"D 3.15"H
WRTALPSC4B2147P-M	4	21"W	47.25" - 57"	24"	20.47"W x 20.98"D 3.15"H
WRTALPSC4B957P-M	4	9"W	57" - 67"	12"	8.50"W x 20.98"D 3.15"H
WRTALPSC4B1257P-M	4	12"W	57" - 67"	15"	11.50"W x 20.98"D 3.15"H
WRTALPSC4B1557P-M	4	15"W	57" - 67"	18"	14.50"W x 20.98"D 3.15"H
WRTALPSC4B1857P-M	4	18"W	57" - 67"	21"	17.50"W x 20.98"D 3.15"H
WRTALPSC4B2157P-M	4	21"W	57" - 67"	24"	20.47"W x 20.98"D 3.15"H
WRTALPSC5B967P-M	5	9"W	67" - 76.75"	12"	8.50"W x 20.98"D 3.15"H
WRTALPSC5B1267P-M	5	12"W	67" - 76.75"	15"	11.50"W x 20.98"D 3.15"H
WRTALPSC5B1567P-M	5	15"W	67" - 76.75"	18"	14.50"W x 20.98"D 3.15"H
WRTALPSC5B1867P-M	5	18"W	67" - 76.75"	21"	17.50"W x 20.98"D 3.15"H
WRTALPSC5B2167P-M	5	21"W	67" - 76.75"	24"	20.47"W x 20.98"D 3.15"H

**A WÜRTH/VAUTH-SAGEL PANTRY PULL-OUT ORGANIZERS**

**VS TAL® Pantry**  
**Saphir 3-Basket, 4-Basket & 5-Basket Pantry**  
**Pull-Outs w/PAM® & Soft-Close**



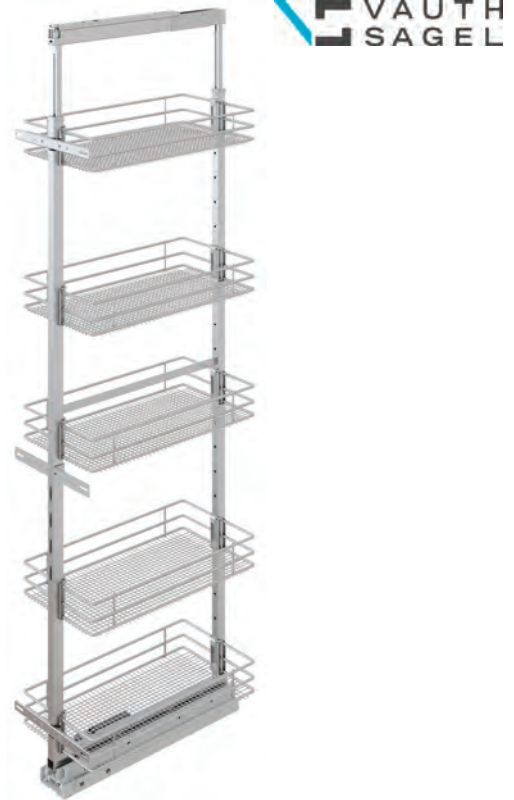
- Available in 3-Basket, 4-Basket or 5-Basket Kits
- Unhanded installation
- EasyFit: self-locking system for tool-free installation of frame into upper and lower guide rails
- 3-D front adjustment allows for simple door adjustment
- Individual height adjustment for baskets
- Heavy-duty, noise-reducing roller guides
- Synchronized upper and lower end stops
- Full synchronized bottom runner
- PAM Power Assisted Movement In Pull-Out Direction
- Self-closing and soft-closing
- Minimum Installation Depth: 23"
- Total load capacity: max. 265 lbs.
- Frame Finish: Carbon Steel Gray Finish
- Basket Bottom Finish: Available in Carbon Steel Gray
- **3-Basket Kit Includes:** (1) Frame/Glides, (1) PAM Mechanism & (3) Baskets
- **4-Basket Kit Includes:** (1) Frame/Glides, (1) PAM Mechanism & (4) Baskets
- **5-Basket Kit Includes:** (1) Frame/Glides, (1) PAM Mechanism & (5) Baskets
- Sold in Kits

Carbon Steel Gray Basket Item #	# of Baskets	Min. Cab. Width Opening	Cabinet Height Opening	For Cabinet Size	Basket Size
WRTALPSA3B937CSG	3	9"	37.5" - 47.25"	12"	8.50"W x 20.98"D x 3.15"H
WRTALPSA3B1237CSG	3	12"	37.5" - 47.25"	15"	11.50"W x 20.98"D x 3.15"H
WRTALPSA3B1537CSG	3	15"	37.5" - 47.25"	18"	14.50"W x 20.98"D x 3.15"H
WRTALPSA3B1837CSG	3	18"	37.5" - 47.25"	21"	17.50"W x 20.98"D x 3.15"H
WRTALPSA3B2137CSG	3	21"	37.5" - 47.25"	24"	20.47"W x 20.98"D x 3.15"H
WRTALPSA4B947CSG	4	9"	47.25" - 57"	12"	8.50"W x 20.98"D x 3.15"H
WRTALPSA4B1247CSG	4	12"	47.25" - 57"	15"	11.50"W x 20.98"D x 3.15"H
WRTALPSA4B1547CSG	4	15"	47.25" - 57"	18"	14.50"W x 20.98"D x 3.15"H
WRTALPSA4B1847CSG	4	18"	47.25" - 57"	21"	17.50"W x 20.98"D x 3.15"H
WRTALPSA4B2147CSG	4	21"	47.25" - 57"	24"	20.47"W x 20.98"D x 3.15"H
WRTALPSA4B957CSG	4	9"	57" - 67"	12"	8.50"W x 20.98"D x 3.15"H
WRTALPSA4B1257CSG	4	12"	57" - 67"	15"	11.50"W x 20.98"D x 3.15"H
WRTALPSA4B1557CSG	4	15"	57" - 67"	18"	14.50"W x 20.98"D x 3.15"H
WRTALPSA4B1857CSG	4	18"	57" - 67"	21"	17.50"W x 20.98"D x 3.15"H
WRTALPSA4B2157CSG	4	21"	57" - 67"	24"	20.47"W x 20.98"D x 3.15"H
WRTALPSA5B967CSG	5	9"	67" - 76.75"	12"	8.50"W x 20.98"D x 3.15"H
WRTALPSA5B1267CSG	5	12"	67" - 76.75"	15"	11.50"W x 20.98"D x 3.15"H
WRTALPSA5B1567CSG	5	15"	67" - 76.75"	18"	14.50"W x 20.98"D x 3.15"H
WRTALPSA5B1867CSG	5	18"	67" - 76.75"	21"	17.50"W x 20.98"D x 3.15"H
WRTALPSA5B2167CSG	5	21"	67" - 76.75"	24"	20.47"W x 20.98"D x 3.15"H

## WÜRTH/VAUTH-SAGEL PANTRY PULL-OUT ORGANIZERS

### VS TAL® Pantry, Platinum Line Saphir 3-Basket, 4-Basket & 5-Basket Pantry Pull-Outs w/PAM® & Soft-Close

- Available in 3-Basket, 4-Basket or 5-Basket Kits
- Unhanded installation
- EasyFit: self-locking system for tool-free installation of frame into upper and lower guide rails
- 3-D front adjustment allows for simple door adjustment
- Individual height adjustment for baskets
- Heavy-duty, noise-reducing roller guides
- Synchronized upper and lower end stops
- Full synchronized bottom runner
- PAM Power Assisted Movement In Pull-Out Direction
- Self-closing and soft-closing
- Minimum Installation Depth: 23"
- Total load capacity: max. 265 lbs.
- Frame Finish: Platinum
- Basket Bottom Finish: Platinum
- **3-Basket Kit Includes:** (1) Frame/Glides, (1) PAM Mechanism & (3) Baskets
- **4-Basket Kit Includes:** (1) Frame/Glides, (1) PAM Mechanism & (4) Baskets
- **5-Basket Kit Includes:** (1) Frame/Glides, (1) PAM Mechanism & (5) Baskets
- Sold in Kits



Platinum Item #	# of Baskets	Min. Cabinet Width Opening	Cabinet Height Opening	For Cab Size	Basket Size
WRTALPSA3B937PLT	3	9"	37.5" - 47.25"	12"	8.50"W x 20.98"D x 3.15"H
WRTALPSA3B1237PLT	3	12"	37.5" - 47.25"	15"	11.50"W x 20.98"D x 3.15"H
WRTALPSA3B1537PLT	3	15"	37.5" - 47.25"	18"	14.50"W x 20.98"D x 3.15"H
WRTALPSA3B1837PLT	3	18"	37.5" - 47.25"	21"	17.50"W x 20.98"D x 3.15"H
WRTALPSA3B2137PLT	3	21"	37.5" - 47.25"	24"	20.47"W x 20.98"D x 3.15"H
WRTALPSA4B947PLT	4	9"	47.25" - 57"	12"	8.50"W x 20.98"D x 3.15"H
WRTALPSA4B1247PLT	4	12"	47.25" - 57"	15"	11.50"W x 20.98"D x 3.15"H
WRTALPSA4B1547PLT	4	15"	47.25" - 57"	18"	14.50"W x 20.98"D x 3.15"H
WRTALPSA4B1847PLT	4	18"	47.25" - 57"	21"	17.50"W x 20.98"D x 3.15"H
WRTALPSA4B2147PLT	4	21"	47.25" - 57"	24"	20.47"W x 20.98"D x 3.15"H
WRTALPSA4B957PLT	4	9"	57" - 67"	12"	8.50"W x 20.98"D x 3.15"H
WRTALPSA4B1257PLT	4	12"	57" - 67"	15"	11.50"W x 20.98"D x 3.15"H
WRTALPSA4B1557PLT	4	15"	57" - 67"	18"	14.50"W x 20.98"D x 3.15"H
WRTALPSA4B1857PLT	4	18"	57" - 67"	21"	17.50"W x 20.98"D x 3.15"H
WRTALPSA4B2157PLT	4	21"	57" - 67"	24"	20.47"W x 20.98"D x 3.15"H
WRTALPSA5B967PLT	5	9"	67" - 76.75"	12"	8.50"W x 20.98"D x 3.15"H
WRTALPSA5B1267PLT	5	12"	67" - 76.75"	15"	11.50"W x 20.98"D x 3.15"H
WRTALPSA5B1567PLT	5	15"	67" - 76.75"	18"	14.50"W x 20.98"D x 3.15"H
WRTALPSA5B1867PLT	5	18"	67" - 76.75"	21"	17.50"W x 20.98"D x 3.15"H
WRTALPSA5B2167PLT	5	21"	67" - 76.75"	24"	20.47"W x 20.98"D x 3.15"H

A  
B  
C  
D  
E  
F  
G  
H  
I  
J  
K  
L  
M  
N  
O  
P  
Q  
R  
S  
T  
U  
V  
W  
X  
Y

A  
B  
C  
D  
E  
F  
G  
H  
I  
J  
K  
L  
M  
N  
O  
P  
Q  
R  
S  
T  
U  
V  
W  
X  
Y

## CENTURY COMPONENTS X-BRACKETS



### X-Bracket Kits

- X-Brackets screw to undermount or sidemount slides
- Tool-free adjustability
- Prefinished solid maple pilasters
- Sold-in: Kits (X-Brackets & Wood Pilasters)
- Includes screws



Item #	Kit Includes	Pilaster Dimensions	Designed For
CCXB150N	(8) X-Brackets & (4) Wood Pilasters	20-7/8"H x 1-1/4"W	(2) Pull-Out Shelves
CCXB150W	(8) X-Brackets & (4) Wood Pilasters	20-7/8"H x 2-1/2"W	(2) Pull-Out Shelves
CCXB150N-BP	(80) X-Brackets & (40) Wood Pilasters	20-7/8"H x 1-1/4"W	(20) Pull-Out Shelves
CCXB150W-BP	(80) X-Brackets & (40) Wood Pilasters	20-7/8"H x 2-1/2"W	(20) Pull-Out Shelves
CCXB250N	(8) X-Brackets & (4) Wood Pilasters	27-1/8"H x 1-1/4"W	(2) Pull-Out Shelves
CCXB250W	(8) X-Brackets & (4) Wood Pilasters	27-1/8"H x 2-1/2"W	(2) Pull-Out Shelves
CCXB550N	(20) X-Brackets & (4) Wood Pilasters	58-5/8"H x 1-1/4"W	(5) Pull-Out Shelves
CCXB550W	(20) X-Brackets & (4) Wood Pilasters	58-5/8"H x 2-1/2"W	(5) Pull-Out Shelves



### X-Brackets Only

- X-Brackets screw to undermount or sidemount slides
- Tool-free adjustability
- Sold-in: Sets of X-Brackets Only
- Includes screws



Item #	Description	Designed For
CCXBONLY1	(1) X-Bracket Set (Contains 4 Brackets)	(1) Pull-Out Shelf
CCXBONLY20	(20) X-Bracket Sets (Contains 80 Brackets)	(20) Pull-Out Shelves
CCXBONLY50	(50) X-Bracket Sets (Contains 200 Brackets)	(50) Pull-Out Shelves



### X-Bracket Pilasters Only

- Prefinished solid maple pilasters
- Made in USA
- Sold-in: Packs of 250 or 500 X-Bracket Pilasters Only



Item #	Description	Size	Packed
CCXPL021PF-N250	Prefinished Solid Maple Pilasters	20-7/8"H x 1-1/4"W	250 Pilasters Only
CCXPL021PF-N500	Prefinished Solid Maple Pilasters	20-7/8"H x 1-1/4"W	500 Pilasters Only
CCXPL028PF-N250	Prefinished Solid Maple Pilasters	27-1/8"H x 1-1/4"W	250 Pilasters Only
CCXPL028PF-N500	Prefinished Solid Maple Pilasters	27-1/8"H x 1-1/4"W	500 Pilasters Only
CCXPL060PF-N250	Prefinished Solid Maple Pilasters	58-5/8"H x 1-1/4"W	250 Pilasters Only
CCXPL060PF-N500	Prefinished Solid Maple Pilasters	58-5/8"H x 1-1/4"W	500 Pilasters Only
CCXPL060PF-W250	Prefinished Solid Maple Pilasters	58-5/8"H x 2-1/2"W	250 Pilasters Only
CCXPL060PF-W500	Prefinished Solid Maple Pilasters	58-5/8"H x 2-1/2"W	500 Pilasters Only

**TENN-TEX QUICKTRAYS**

A  
B  
C  
D  
E  
F  
G  
H  
I  
J  
K  
L  
M  
N  
O  
P  
Q  
R  
S  
T  
U  
V  
W  
X  
Y



1.03"D Pilaster



Hook Dowels



Machine Screws

**QuickTRAY Kits - 1.03" Pilaster**

- Kit includes: plastic pilasters, hook dowels and machine screws
- Hook dowels (T-506) are designed for side mount slides
- Includes instruction sheet



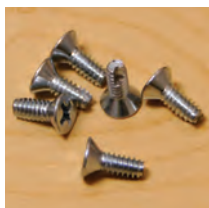
Item #	Color	Pilaster	Kit Quantities			
			Pilasters	Hook Dowels	Mach Screws	Mounting Screws
TNTB500-BGB	Beige	1.03"D x 20.157"H	100	200	200	-
TNTB500-WHB	White	1.03"D x 20.157"H	100	200	200	-
TNTB520-BG	Beige	1.03"D x 20.157"H	4	8	8	20
TNTB520-WH	White	1.03"D x 20.157"H	4	8	8	20



1.275"D Pilaster



Hook Dowels



Machine Screws

**QuickTRAY Kits - 1.275" Pilaster**

- Kit includes: plastic pilasters, hook dowels and machine screws
- Hook dowels (T-506) are designed for side mount slides
- Includes instruction sheet



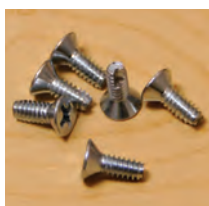
Item #	Color	Pilaster	Kit Quantities			
			Pilasters	Hook Dowels	Mach Screws	Mounting Screws
TNTB502-BGB	Beige	1.275"D x 20.157"H	100	200	200	-
TNTB502-WHB	White	1.275"D x 20.157"H	100	200	200	-
TNTB522-BG	Beige	1.275"D x 20.157"H	4	8	8	20
TNTB522-WH	White	1.275"D x 20.157"H	4	8	8	20
TNTB523-BG	Beige	1.275"D x 3.76"H	4	4	4	20
TNTB523-WH	White	1.275"D x 3.76"H	4	4	4	20



2"D Pilaster



Hook Dowels



Machine Screws

**QuickTRAY Kits - 2" Pilaster**

- Kit includes: plastic pilasters, hook dowels and machine screws
- Hook dowels (T-506) are designed for side mount slides
- Includes instruction sheet



Item #	Color	Pilaster	Kit Quantities			
			Pilasters	Hook Dowels	Mach Screws	Mounting Screws
TNTB503-BGB	Beige	2"D x 20.157"H	48	100	100	-
TNTB503-WHB	White	2"D x 20.157"H	48	100	100	-
TNTB525-BG	Beige	2"D x 20.157"H	4	8	8	20
TNTB525-WH	White	2"D x 20.157"H	4	8	8	20

A  
B  
C  
D  
E  
F  
G  
H  
I  
J  
K  
L  
M  
N  
O  
P  
Q  
R  
S  
T  
U  
V  
W  
X  
Y

**TENN-TEX QUICKTRAYS**



**QuickTRAY Accessory - Center Partition Support**



- For 3" center stile
- Sold in box quantities only

Item #	Color	Pilaster	Size	Sold In
TNTHAR034	White	QuickTRAY Center Partition Support	2.5"W x 2.37"D x 20.12"H	24 Per Box



**QuickTRAY Accessory - Hook Dowels For Side Mount Slides**



- For side mount slides
- Includes screws

Item #	Finish	Pilaster	Size	Sold In
TNTB266	Metal	T-506 Hook Dowels	.378"W x .332"D	8 Per Bag



**QuickTRAY Accessory - Hook Dowels For Side Mount Slides w/1/4" Spacer**



- For side mount slides
- Includes screws

Item #	Finish	Pilaster	Size	Sold In
TNTB308	Metal	T-507 Hook Dowels	.580"W x .685"D	8 Per Bag



**QuickTRAY Accessory - Hook Dowels For Undermount Slides**



- For undermount slides

Item #	Finish	Pilaster	Size	Sold In
TNTB309	Metal	T-508 Hook Dowels w/Screws	.378"W x .332"D	8 Per Bag
TNTB307	Metal	T-508 Hook Dowels - No Screws	.378"W x .332"D	200 Per Bag



## DOCKING DRAWER INSIDE DRAWER OUTLETS

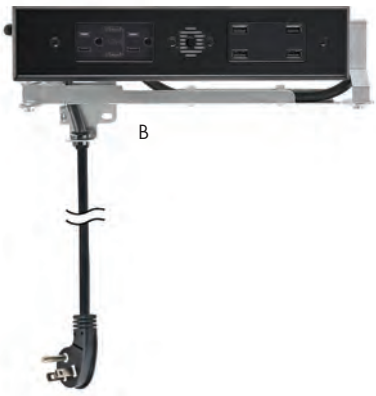
### Inside Drawer Outlets

### Docking Drawer®

Docking Drawer Blade Duo 1514 Series outlets can be installed at any point, whether you are undergoing a complete renovation or simply want to add an in-drawer outlet to an existing drawer.

- Assemblies are cycle tested over 500,000 times to ensure a long life of safe operation
- 4 1/2' cord with a NEMA 5-15P plug (All 15 amp Blade Series outlets)
- ETL Listed

	Item #	Receptacle	Application	Color
A	DDR1514-232-WHT	(2) AC, (2) USB-C (PD) & (4) USB-A	Most popular for kitchen drawers, bathroom vanities, and bedroom nightstands	White
B	DDR1514-232-BLK	(2) AC, (2) USB-C (PD) & (4) USB-A	Most popular for kitchen drawers, bathroom vanities, and bedroom nightstands	Black
C	DDR1514-266-WHT	(4) AC	Ideal for bathroom vanities and those connecting more devices	White
D	DDR1514-266-BLK	(4) AC	Ideal for bathroom vanities and those connecting more devices	Black



**A DOCKING DRAWER INSIDE DRAWER OUTLETS**

A  
B  
C  
D  
E  
F  
G  
H  
I  
J  
K  
L  
M  
N  
O  
P  
Q  
R  
S  
T  
U  
V  
W  
X  
Y

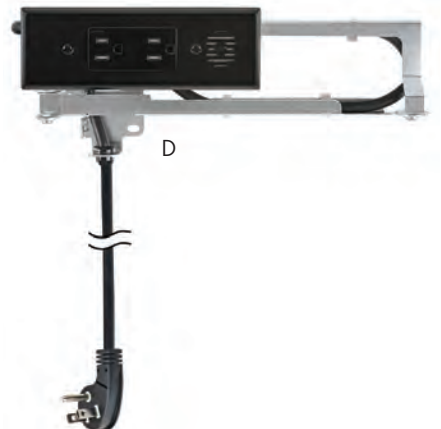
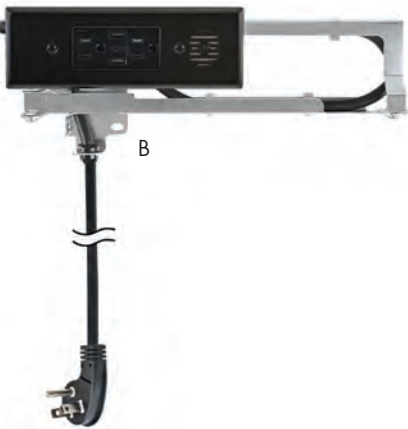


**Inside Drawer Outlets**

**Docking Drawer®**

Docking Drawer Blade 1514 Series outlets can be installed at any point, whether you are undergoing a complete renovation or simply want to add an in-drawer outlet to an existing drawer.

- Assemblies are cycle tested over 500,000 times to ensure a long life of safe operation
- 4 1/2' cord with a NEMA 5-15P plug (All 15 amp Blade Series outlets)
- ETL Listed



	Item #	Receptacle	Application	Color
A	DDR1514-110-WHT	(2) AC & (2) USB-A	Ideal for kitchen drawers and bedroom nightstands	White
B	DDR1514-110-BLK	(2) AC & (2) USB-A	Ideal for kitchen drawers and bedroom nightstands	Black
C	DDR1514-160-WHT	(2) AC	Most popular for bathroom vanities	White
D	DDR1514-160-BLK	(2) AC	Most popular for bathroom vanities	Black



## DOCKING DRAWER INSIDE DRAWER OUTLETS

Specify Docking Drawer Outlet by Drawer Type

Docking Drawer\*

If your drawer type is the following...

		Min Drawer Box Width (OD)	Min Interior Drawer Box Height	Min Space Behind Drawer Box	Max Base Cabinet Depth	Specify Item#
	<b>Shallow Drawer</b> Most often found in kitchens, closets, offices, side tables, entryway tables, and retail projects.	15" or more	3" or more	2" or more	24" or less	<b>(Blade Duo)</b> DDR1514-232 or <b>(Blade)</b> DDR1514-110
	<b>Tall Drawer</b> Most often found in bathroom vanities and with above-glide mounting.	13" or more	4" or more	2" or more	24" or less	<b>(Blade Duo)</b> DDR1514-266 or <b>(Blade)</b> DDR1514-160
	<b>Narrow Drawer</b> Most often found in bathroom vanities and with over-glide mounting. Requires a channel to be cut in the cabinet sidewall.	9" or more	4" or more	2" or more	24" or less	<b>(Blade)</b> DDR1514-160
	<b>Vertical Drawer</b> Most often found in bathroom vanities and kitchen pull outs.	8" or more	13" or more	2" or more	24" or less	<b>(Blade)</b> DDR1514-160

A  
B  
C  
D  
E  
F  
G  
H  
I  
J  
K  
L  
M  
N  
O  
P  
Q  
R  
S  
T  
U  
V  
W  
X  
Y

**A OMEGA NATIONAL WOOD HOODS**

**B Signature Range Hood Straight / Arched Front**



- Available with either straight or arched raised panel valance
- Designed for easy installation, featuring a removable matching trimmable chimney (sold separately)
- Available in Red Oak, Maple, Hickory, Cherry and Alder; ready to finish
- Available in 30", 36", 42" and 48" widths
- Includes a silver metallic powdercoated liner that accommodates all Broan ventilation offered by Omega National Products
- Installs easily using our standard patent-pending French cleat hanging system



Matching Trimmable Chimney (sold separately)



Signature Range Hood w/Straight Front & Chimney



Signature Range Hood w/Arched Front & Chimney

Width	Species	Signature Wood Range Hood - Straight Front Item #	Signature Wood Range Hood - Arched Front Item #
30"	Cherry	OMR2130SMB1CUF1	OMR2630SMB1CUF1
30"	Hickory	OMR2130SMB1HUF1	OMR2630SMB1HUF1
30"	Maple	OMR2130SMB1MUF1	OMR2630SMB1MUF1
30"	Red Oak	OMR2130SMB1OUF1	OMR2630SMB1OUF1
30"	Alder	OMR2130SMB1QUF1	OMR2630SMB1QUF1
36"	Cherry	OMR2136SMB1CUF1	OMR2636SMB1CUF1
36"	Hickory	OMR2136SMB1HUF1	OMR2636SMB1HUF1
36"	Maple	OMR2136SMB1MUF1	OMR2636SMB1MUF1
36"	Red Oak	OMR2136SMB1OUF1	OMR2636SMB1OUF1
36"	Alder	OMR2136SMB1QUF1	OMR2636SMB1QUF1
42"	Cherry	OMR2142SMB1CUF1	OMR2642SMB1CUF1
42"	Hickory	OMR2142SMB1HUF1	OMR2642SMB1HUF1
42"	Maple	OMR2142SMB1MUF1	OMR2642SMB1MUF1
42"	Red Oak	OMR2142SMB1OUF1	OMR2642SMB1OUF1
42"	Alder	OMR2142SMB1QUF1	OMR2642SMB1QUF1
48"	Cherry	OMR2148SMB1CUF1	OMR2648SMB1CUF1
48"	Hickory	OMR2148SMB1HUF1	OMR2648SMB1HUF1
48"	Maple	OMR2148SMB1MUF1	OMR2648SMB1MUF1
48"	Red Oak	OMR2148SMB1OUF1	OMR2648SMB1OUF1
48"	Alder	OMR2148SMB1QUF1	OMR2648SMB1QUF1

Matching Trimmable Chimney, 23-1/2"H Item #	Matching Trimmable Chimney, 31"H Item #
OMRCH30CUF1	OMRCHT30CUF1
OMRCH30HUF1	OMRCHT30HUF1
OMRCH30MUF1	OMRCHT30MUF1
OMRCH30OUF1	OMRCHT30OUF1
OMRCH30QUF1	OMRCHT30QUF1
OMRCH36CUF1	OMRCHT36CUF1
OMRCH36HUF1	OMRCHT36HUF1
OMRCH36MUF1	OMRCHT36MUF1
OMRCH36OUF1	OMRCHT36OUF1
OMRCH36QUF1	OMRCHT36QUF1
OMRCH42CUF1	OMRCHT42CUF1
OMRCH42HUF1	OMRCHT42HUF1
OMRCH42MUF1	OMRCHT42MUF1
OMRCH42OUF1	OMRCHT42OUF1
OMRCH42QUF1	OMRCHT42QUF1
OMRCH48CUF1	OMRCHT48CUF1
OMRCH48HUF1	OMRCHT48HUF1
OMRCH48MUF1	OMRCHT48MUF1
OMRCH48OUF1	OMRCHT48OUF1
OMRCH48QUF1	OMRCHT48QUF1

**OMEGA NATIONAL WOOD HOODS**



**Artisan Range Hoods**

- Elegant design provides a custom look that compliments most any kitchen
- Chimney allows 12" of trim
- Available in Red Oak, Maple, Cherry and Alder
- 36", 42" and 48" widths
- Includes a silver metallic powdercoated liner that accommodates all Broan ventilation offered by Omega National Products
- Installs easily using our standard patent-pending French cleat hanging system



Width	Species	Item #	Width	Species	Item #	Width	Species	Item #
36"	Cherry	OMR3036SMB1CUF1	42"	Cherry	OMR3042SMB1CUF1	48"	Cherry	OMR3048SMB1CUF1
36"	Maple	OMR3036SMB1MUF1	42"	Maple	OMR3042SMB1MUF1	48"	Maple	OMR3048SMB1MUF1
36"	Red Oak	OMR3036SMB1OUF1	42"	Red Oak	OMR3042SMB1OUF1	48"	Red Oak	OMR3048SMB1OUF1
36"	Alder	OMR3036SMB1QUF1	42"	Alder	OMR3042SMB1QUF1	48"	Alder	OMR3048SMB1QUF1

**Canopy Range Hoods: Select / Omega / Classic Series**

- Includes a silver metallic powdercoated liner that accommodates all Broan ventilation offered by Omega National Products
- Mounts between wall cabinets



Select Series			Omega Series			Classic Series		
Width	Species	Item #	Width	Species	Item #	Width	Species	Item #
30"	Cherry	OMR1630CUF1	30"	Cherry	OMR1130SMB1CUF1	30"	Cherry	OMR70302SMB1CUF1
30"	Hickory	OMR1630HUF1	30"	Hickory	OMR1130SMB1HUF1	30"	Hickory	OMR70302SMB1HUF1
30"	Maple	OMR1630MUF1	30"	Maple	OMR1130SMB1MUF1	30"	Maple	OMR70302SMB1MUF1
30"	Red Oak	OMR1630OUF1	30"	Red Oak	OMR1130SMB1OUF1	30"	Red Oak	OMR70302SMB1OUF1
30"	Alder	OMR1630QUF1	30"	Alder	OMR1130SMB1QUF1	30"	Alder	OMR70302SMB1QUF1
36"	Cherry	OMR1636CUF1	36"	Cherry	OMR1136SMB1CUF1	36"	Cherry	OMR70362SMB1CUF1
36"	Hickory	OMR1636HUF1	36"	Hickory	OMR1136SMB1HUF1	36"	Hickory	OMR70362SMB1HUF1
36"	Maple	OMR1636MUF1	36"	Maple	OMR1136SMB1MUF1	36"	Maple	OMR70362SMB1MUF1
36"	Red Oak	OMR1636OUF1	36"	Red Oak	OMR1136SMB1OUF1	36"	Red Oak	OMR70362SMB1OUF1
36"	Alder	OMR1636QUF1	36"	Alder	OMR1136SMB1QUF1	36"	Alder	OMR70362SMB1QUF1

A  
B  
C  
D  
E  
F  
G  
H  
I  
J  
K  
L  
M  
N  
O  
P  
Q  
R  
S  
T  
U  
V  
W  
X  
Y

**A OMEGA NATIONAL VENTILATORS**

B  
C  
D  
E  
F  
G  
H  
I  
J  
K  
L  
M  
N  
O  
P  
Q  
R  
S  
T  
U  
V  
W  
X  
Y



**Range Hood Power Ventilators, 500 CFM**

- Broan's high performance centrifugal blower delivers 500 CFM/8.2 Sones
- Stainless steel brushed #4 finish, 3 speeds, includes 2-20W halogen bulbs



<b>Item #</b>
OMRHVBB30SS

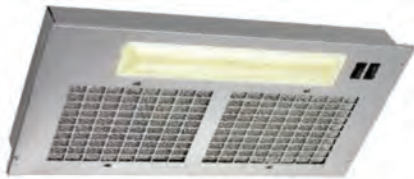


**Range Hood Power Ventilators, 390 CFM**

- Broan® Select Series ventilator delivers 390 CFM/6 Sones
- Features silver metallic finish, 3 fan speed slide control and two 40W light placement (bulbs not included)



<b>Item #</b>
OMRHVBB20SM

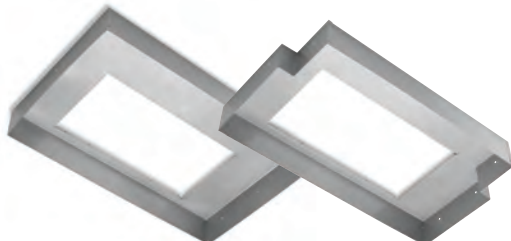


**Range Hood Power Ventilators, 250 CFM**

- Broan® Select Series ventilator delivers 250 CFM/8 Sones
- Features silver metallic finish, rocker switch for 2-speed fan and two 40W light placements (bulbs not included)



<b>Item #</b>
OMRHVBF10SM



Rectangular      Notched

**Range Hood Liners, Rectangular & Notched Plastic**

- Designed for Broan® Ventilators (sold separately)



Rectangular Item #	Notched Item #	Size	Color
OM090656SM2	OM090654SM2	30"	Silver Metallic
OM090657SM2	OM090655SM2	36"	Silver Metallic

**Replacement Charcoal Filter**

- Replacement Charcoal Filter Designed for Broan® Ventilators



<b>Item #</b>
OM903720000

**Interior Ductwork Kit**

- Interior Duct Kit for ducting range hood exhaust back into the kitchen
- Complete with charcoal filter
- Designed for Broan® Ventilators



<b>Item #</b>
OM90358DUC1

**OMEGA NATIONAL LAZY SUSANS**

A  
B  
C  
D  
E  
F  
G  
H  
I  
J  
K  
L  
M  
N  
O  
P  
Q  
R  
S  
T  
U  
V  
W  
X  
Y



**Full Circle Shaped Wood Lazy Susan, Premium Single Shelf w/Bearing**



- 10" Diameter, Perfect for 12" deep cabinets
- Independently Rotating
- Includes 4" attached bearing with non-slip feet
- 1" lip, plywood core

Item #	Description	Shelf Size
OMT7210MNL1	Spice Susan w/Bearing Attached (without stop)	10" Dia.



**Kidney-Shaped Wood Lazy Susans Shelves w/Pre-mounted Aluminum Bearings**



- Features a high-impact 10 ply maple rim and 12mm multi-directional plywood shelves
- Pre-mounted on patented diecast aluminum bearing for ultra smooth movement
- Bore and dowel butt joints; no finger joints
- Lip height: 1-3/4"
- Weight capacity: 360 lbs.
- Designed for fixed shelf applications

Size	2-Shelf Set Item #	Single Shelf Item #
32"	OMT8332K30TRDCBMNL	OMT8332TRDCBMNL5



**Pie-Cut Shaped Wood Lazy Susan, Premium Super Susan Single Shelf w/Bearing**



- Shelf features a 6" deep lip
- Hard maple and birch wood construction with UV-cured clear coat
- Solid maple rim with bore and dowel butt joints; no finger joints
- Premounted on patented diecast aluminum bearings, 360 lb. weight capacity



Item #	Description	Shelf Size
OMT8530K30TR6DCBMN	Single Shelf w/Aluminum Bearing Attached (with stop)	30" Dia.



**Premium 12" Diameter Cast Aluminum Bearing**



- 12" diameter lazy susan aluminum swivel bearing is heavy duty and quiet
- Manufactured with 98 ball bearings for the smoothest susan operation
- Includes a removable detent and has 360 lb. weight capacity

Item #	Description
OMB41848UF8	Aluminum Swivel Bearing, w/Removable Detent

**A OMEGA NATIONAL BLIND CORNER & TRAY DIVIDERS**

B  
C  
D  
E  
F  
G  
H  
I  
J  
K  
L  
M  
N  
O  
P  
Q  
R  
S  
T  
U  
V  
W  
X  
Y



**Wood Blind Corner Pantry**

- Designed for those hard-to-reach areas in a blind corner cabinet
- Swing-out pantry features heavy duty hardware, 15mm prefinished Maple storage bin and professional grade rollout shelf kit
- Perfect for bulk storage, occasional-use items or countertop appliances
- Premounted on KV8405 100 lb. ball bearing 1" overtravel slides for easy installation
- Designed for 15" or larger openings, accessible from both sides
- Includes a 2 shelf roll-out kit and all hardware
- Reversible piano hinge allows for left or right applications



Item #	Dimensions of Swing-Out Pantry	Dimensions of 2 Drawer Box
OMP0650MNL1	14-7/32"W x 22-3/32"D x 19-9/16"H	20-1/2"W x 22-3/8"D x 13-3/16"H



**Base Cabinet Tray Dividers/Wood**

- Omega National Tra-Sta premium stationary wood tray dividers
- 4 pre-finished maple veneer dividers slide in solid maple grooved and pre-drilled top and bottom rails
- Designed to be fastened in multiple locations to accept a variety of pots, pans or lids
- Includes: (4) trimmable dividers and (8) drilled rails



Item #	Dimensions
OMTS2424	3/16"W x 23-3/4"D x 23-3/4"H



**Wood Pull-Out Tray Divider**

- Organizer designed for 9", 12" or 15" wide face frame cabinet with 1-1/2" frame openings
- Provides practical space for those hard to store and hard to reach pans, trays or serving platters
- Constructed from prefinished plywood with KV8405 100 lb. ball bearing 1" over travel slides
- Interior partitions are removable for ultimate flexibility
- Made in the USA



Item #	Dimensions	# of Slots	Slide Color/Weight Rating
OMT3194MNL1	5"W x 21-3/4"D x 10"H	1	Zinc/100 lb.
OMT3195MNL1	8"W x 21-3/4"D x 10"H	2	Zinc/100 lb.
OMT3196MNL1	11"W x 21-3/4"D x 10"H	3	Zinc/100 lb.



**OMEGA NATIONAL DRAWER INSERTS**

A  
B  
C  
D  
E  
F  
G  
H  
I  
J  
K  
L  
M  
N  
O  
P  
Q  
R  
S  
T  
U  
V  
W  
X  
Y



**3-Part Wood Deep Drawer Organizer**

- Modular and adjustable organizer
- Design segments for any size storage or any size deep drawer
- Features 3 prefinished 11" x 24" maple dividers and 6 predrilled solid maple wood mounting rails
- Easily trimmed for various drawer depths
- Made in the USA



<b>Item #</b>
OMC0480MNL1



**Universal Drawer Insert Kit**

- Omega's patented real wood insert kit is a versatile and economic system that will allow for the configuration of any flatware or kitchen utensil drawer
- Constructed of clear catalyzed UV coated maple hardwood, this kit is completely modular
- Kit includes: (6) L-shaped pieces and (1) flat filler piece per set



Item #	Size	Finish
OMC0491MNL1	19-3/4"L x 2-15/16"W x 2"H	Maple Wood



**Universal Spice Tray Kits**

- Spice drawer kits are designed for storage of all types of spice jars
- Kits are 19-1/2"D x 2"H with (3) 33° angled surfaces to hold spice jars
- Available in (6) widths: 10", 13", 16", 19", 22" and 60"
- Produced from Baltic Birch plywood with durable UV coating



Item #	Dimensions	Finish
OMS9510DNL1	10"W x 19-1/2"D x 2"H	Birch
OMS9513DNL1	13"W x 19-1/2"D x 2"H	Birch
OMS9516DNL1	16"W x 19-1/2"D x 2"H	Birch
OMS9519DNL1	19"W x 19-1/2"D x 2"H	Birch
OMS9522DNL1	22"W x 19-1/2"D x 2"H	Birch
OMS9560DNL1	60"W x 19-1/2"D x 2"H	Birch

**A OMEGA NATIONAL STEMWARE RACKS**

B  
C  
D  
E  
F  
G  
H  
I  
J  
K  
L  
M  
N  
O  
P  
Q  
R  
S  
T  
U  
V  
W  
X  
Y



**Individual Mouldings**

- Available in 2 profiles: L-shaped (end piece) and T-shaped (middle piece)
- Both profiles are 62" in length allowing for custom installation



Item #	Description	Species
OMM4600MUF2	L Moulding 62"	Maple
OMM4600OUF2	L Moulding 62"	Red Oak
OMM4640QUF2	T Moulding 62"	Alder
OMM4640CUF2	T Moulding 62"	Cherry
OMM4640MUF2	T Moulding 62"	Maple
OMM4640OUF2	T Moulding 62"	Red Oak



**Stemware Rack, Wood, Single Piece**

- Fully assembled single piece stemware rack
- Available in 18", 30" and 36" lengths with a standard 12" depth
- Available in three solid unfinished wood species
- Accommodates most stemware styles from 4, 7 or 8 rows of glasses



Item #	Species	Size	Glass Rows
OMS9600MUF1	Maple	18"L x 12"D	4
OMS9620QUF1	Alder	30"L x 12"D	7
OMS9620CUF1	Cherry	30"L x 12"D	7
OMS9620MUF1	Maple	30"L x 12"D	7
OMS9620OUF1	Red Oak	30"L x 12"D	7
OMS9630QUF1	Alder	36"L x 12"D	8
OMS9630MUF1	Maple	36"L x 12"D	8



**Solid Wood Bottle Rack, Unfinished**

- 1 front/1 rear rail (radiused edges)
- Front rail holds bottle front, rear holds rear of bottle



Item #	Species	Size	Bottle Capacity
OMS9220MUF1	Maple	24"L x 2"H	5
OMS9210MUF1	Maple	30"L x 2"H	7
OMS9200MUF1	Maple	48"L x 2"H	11

**OMEGA NATIONAL WINE RACKS**



**Solid Wood Wine Racks, Style A**

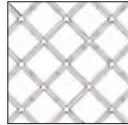
- Inverted design
- Glued and mechanically fastened at joints
- Sold per pair (one front and one back, interchangeable)



**Style A**  
4" x 4"  
Bottle Opening



Size	Bottle Capacity	Alder Species	Maple Species
24" x 43"	28	OMWRL2443AL	OMWRL2443MA
24" x 30"	18	OMWRL2430AL	OMWRL2430MA

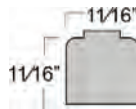


**Solid Wood Wine Racks, Style B**

- Premium design
- Glued and mechanically fastened at joints
- Sold per pair (one front and one back, interchangeable)



**Style B**  
4-1/4" x 4-1/4"  
Bottle Opening



Size	Bottle Capacity	Maple Species
24" x 43"	28	OMWRLR2443MA
24" x 30"	18	OMWRLR2430MA

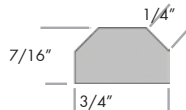


**Solid Wood Wine Racks, Style C**

- Deluxe design
- Glued and mechanically fastened at joints
- Sold per each (need to purchase two interchangeable racks, one for front and one for back)



**Style C**  
3-3/4" x 3-3/4"  
Bottle Opening



Size	Bottle Capacity	Alder Species	Maple Species	Red Oak Species
23" x 42"	28	OML3320QUF2	OML3320MUF2	OML3320OUF2
23" x 29"	18	-	OML3340MUF2	OML3340OUF2
17" x 36"	14	-	OML3360MUF2	OML3360OUF2
17" x 29"	11	OML3380QUF2	OML3380MUF2	OML3380OUF2

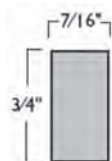


**Solid Wood Wine Racks, Style D**

- Square design
- Glued and mechanically fastened at joints
- Sold per each (need to purchase two interchangeable racks, one for front and one for back)



**Style D**  
3-3/4" x 3-3/4"  
Bottle Opening



Size	Bottle Capacity	Alder Species	Maple Species	Red Oak Species
23" x 42"	28	OML3020QUF2	OML3020MUF2	OML3020OUF2
23" x 29"	18	-	OML3040MUF2	OML3040OUF2
17" x 36"	14	-	OML3060MUF2	OML3060OUF2
17" x 29"	11	OML3080QUF2	OML3080MUF2	OML3080OUF2

**A OMEGA NATIONAL PLATE RACKS & APPLIANCE GARAGES**



Assembled Units

**Plate Racks Ready To Assemble Kits & Assembled Wood Units**

- Assembled kits come in pairs (front and back) each rack is 13-1/16" H, 36" L and has 14 dowels
- RTA kits (to make a front and back pair of racks) include 36" L top and bottom pre-drilled rails and (28) 12" long dowels in round or fluted styles, assembled height is 13-1/16"
- For both assembled and RTA versions, dowels are 3/8" dia. and 2" on center



Unassembled Units

Item #	Dimensions	Species
<b>Assembled Units</b>		
OMNPD-36-MA	13-1/16" H x 3/4" W x 36" L	Maple
OMNPD-36-RO	13-1/16" H x 3/4" W x 36" L	Red Oak
<b>Round Dowels Unassembled Units, RTA (Ready to Assemble)</b>		
OMNPD-36-RTAMA	13-1/16" H x 3/4" W x 36" L	Maple
<b>Fluted Dowels Unassembled Units, RTA (Ready to Assemble)</b>		
OMP1100MUF2	Rail Length: 34-1/2", Dowel Length: 12"	Maple



**Tambour Door Kits Designed for Face Frame Cabinets**

- One tambour door set includes a solid wood tambour door with wood pull handle and a spring tension tambour track system
- Track system consists of two PVC guide rails, wood dowels, donut(s) and tension spring
- Tambour is solid wood 3/16" thick and 3/4" wide slats with cloth backing



Solid Cherry Item #	Solid Hickory Item #	Solid Maple Item #	Solid Red Oak Item #	Door Size
OMC02-SCH-1	OMC02-SHI-1	OMC02-SMA-1	OMC02-SRO-1	15" W x 18" H
-	-	OMC02-SMA-2	OMC02-SRO-2	24" W x 18" H
-	-	OMC02-SMA-3	-	30" W x 18" H



**Appliance Garage Sets, Corner Units**

- Designed for 24" corner applications
- Available in solid wood or wood veneer tambour door mounted to solid wood face frame
- End panels are veneer faced and backed on 3/8" MDF, using plain-sliced veneer
- Kit includes: (1) tambour door, (2) end panels and spring tension track system
  - Door Width: 17" W x 18-1/2" H x 11-7/8" D
  - Door Opening: 13-3/4" W x 16-1/2" H



Tambour Door Type	Alder Item #	Cherry Item #	Hickory Item #	Maple Item #	Red Oak Item #
Solid Wood	OMAG-100CSAL	OMAG-100CSC	OMAG-100CSH	OMAG-100CSM	OMAG-100CSR
Veneer	OMAG-100CVAL	-	OMAG-100CVH	OMAG-100CVM	OMAG-100CVR

## WOODFOLD TAMBOURS



### Solid Hardwood Tambours

- Solid wood construction and backed with nylon filament fabric with a silicone adhesive
- Includes tambour only
- Track and pulls sold separately
- Pre-sanded and ready to finish

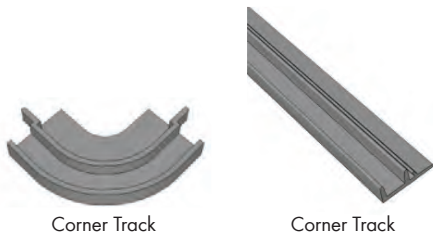


Flat w/Radius

Half Round

Pencil

Item #	Size	Profile	Species
MRTB24X48	48" Roll Length x 24" Slat Length	Flat w/Radius	Oak
MRTB24X48A	48" Roll Length x 24" Slat Length	Flat w/Radius	Alder
MRTB24X48M	48" Roll Length x 24" Slat Length	Flat w/Radius	Maple
MRTB24X96M	96" Roll Length x 24" Slat Length	Flat w/Radius	Maple
MRTB48X48	48" Roll Length x 48" Slat Length	Flat w/Radius	Oak
MRTB48X48A	48" Roll Length x 48" Slat Length	Flat w/Radius	Alder
MRTB48X48M	48" Roll Length x 48" Slat Length	Flat w/Radius	Maple
MRTB48X96	96" Roll Length x 48" Slat Length	Flat w/Radius	Oak
MRTBHR24X48	48" Roll Length x 24" Slat Length	Half Round	Oak
MRTBHR48X48	48" Roll Length x 48" Slat Length	Half Round	Oak
MRTBP48X48OAK	48" Roll Length x 48" Slat Length	Pencil	Oak



Corner Track

Corner Track

### Tambour Track

- Designed to fit all Woodfold tambour profiles
- Brown color that blends well with cabinet interiors



Item #	Description	Color
MR4C55	Left or Right Corner Tambour Track	Brown
MRAT54	48" Straight Tambour Track	Brown

**A WOODFOLD BREADBOARDS & DRAWERS**

B  
C  
D  
E  
F  
G  
H  
I  
J  
K  
L  
M  
N  
O  
P  
Q  
R  
S  
T  
U  
V  
W  
X  
Y



**Breadboards**

- Edge grain hardwood
- Grooved finger pull at each end
- Reversible
- Sealed against moisture
- Tongue and groove construction with square edges
- Permanently laminated to assure years of use and are sealed to resist moisture penetration with a safe FDA approved coating, except item numbers ending with the letter "U" are unfinished



Item #	Size	Board Species	Pull Species	Coating
MRBB1622	16"W x 22"L x 3/4"Thick	Alder	Alder	FDA safe coating
MRBB1622O	16"W x 22"L x 3/4"Thick	Alder	Oak	FDA safe coating
MRBB1822	18"W x 22"L x 3/4"Thick	Alder	Alder	FDA safe coating
MRBB1822O	18"W x 22"L x 3/4"Thick	Alder	Oak	FDA safe coating
MRBB1822OU	18"W x 22"L x 3/4"Thick	Alder	Oak	Unfinished
MRBB2422	24"W x 22"L x 3/4"Thick	Alder	Alder	FDA safe coating
MRBB2422O	24"W x 22"L x 3/4"Thick	Alder	Oak	FDA safe coating
MRBB2422OU	24"W x 22"L x 3/4"Thick	Alder	Oak	Unfinished



**Breadboard Slides**

- Designed for 3/4" thick breadboards
- Designed for face frame and frameless cabinets



Item#	Size	Finish	Sold In
HKBB	21-1/2"L	Zinc	Pairs



**Cabinet Drawer Kits  
w/Cutting Board & Knife Block**

- Knife storage with cutlery storage and 1" thick cutting board
- Cutting board top is made of alder
- Drawer front not included
- Cutting block features a permanent washable finish
- Requires 4" clearance for both knife insert and cutting board
- Includes drawer frame, knife insert and cutting board



Item #	Size	Designed Cabinet Size	Hinges
<b>Face Frame Application</b>			
MRDIM15	11-11/16"W x 22-1/2"D x 3-7/8"H	15" Face Frame	Included
MRDIM18	14-11/16"W x 22-1/2"D x 3-7/8"H	18" Face Frame	Included
MRDIM24	20-11/16"W x 22-1/2"D x 3-7/8"H	24" Face Frame	Included
<b>Frameless Application</b>			
MREDIM15	13-11/16"W x 22-1/2"D x 3-7/8"H	15" Frameless	Not Included
MREDIM18	16-11/16"W x 22-1/2"D x 3-7/8"H	18" Frameless	Not Included
MREDIM21	19-11/16"W x 22-1/2"D x 3-7/8"H	21" Frameless	Not Included
MREDIM24	22-11/16"W x 22-1/2"D x 3-7/8"H	24" Frameless	Not Included

## KNAPE & VOGT WASTE BIN PULL-OUTS



### USC Series Single & Double Trash Pull-Outs

- Features an aluminum/polymer carriage with solid bottom and backsplash
- Solid bottom and backplash prevent debris from falling below/behind pull-out
- Full-Extension Soft-Close Slides
- 100 Lb. Weight Rating
- Includes aluminum/polymer carriage, slides, trash bin(s), and door mounting brackets



Item #	Description	Product Dimensions
<b>Single Bin Trash Pull-Outs with Soft-Close Slides</b>		
KVUSC12-1-35PT	Single 35QT, Trash Pull-Out, Platinum Bin	11-13/16"W x 22-7/16"D x 19-3/16"H
KVUSC12-1-50PT	Single 50QT, Trash Pull-Out, Platinum Bin	11-13/16"W x 22-7/16"D x 23-1/4"H
<b>Double Bin Trash Pull-Outs with Soft-Close Slides</b>		
KVUSC15-2-35PT	Double 35QT, Trash Pull-Out, Platinum Bins	14-13/16"W x 22-7/16"D x 19-3/16"H
KVUSC15-2-35WH	Double 35QT, Trash Pull-Out, White Bins	14-13/16"W x 22-7/16"D x 19-3/16"H
KVUSC18-2-50PT	Double 50QT, Trash Pull-Out, Platinum Bins	15-3/8"W x 23-1/4"D x 22-7/16"H
KVUSC18-2-50WH	Double 50QT, Trash Pull-Out, White Bins	15-3/8"W x 23-1/4"D x 22-7/16"H



### WUSC Series Double Trash Pull-Outs

- Features a wood carriage
- Full-Extension Soft-Close Slides
- 100 Lb. Weight Rating
- Includes wood carriage, slides, trash bins, and door mounting brackets



Item #	Description	Product Dimensions
KVWUSC15-2-35PT	Double 35QT, Trash Pull-Out, Platinum Bins	14-5/8"W x 22-3/8"D x 19-5/8"H
KVWUSC15-2-35WH	Double 35QT, Trash Pull-Out, White Bins	14-5/8"W x 22-3/8"D x 19-5/8"H



### SCB Series Double Trash Pull-Outs

- Features a metal wire carriage
- 1" Over-Travel Ball Bearing Soft-Close Slide
- 80 Lb. Weight Rating (30Lb. Max Per Bin)
- Includes wood carriage, slides, and trash bins



Item #	Description	Product Dimensions
KVSCB15-2-35PT	Double 35QT, Trash Pull-Out, Platinum Bins	14-3/8"W x 23-1/8"D x 18-13/16"H
KVSCB15-2-35WH	Double 35QT, Trash Pull-Out, White Bins	14-3/8"W x 23-1/8"D x 18-13/16"H
KVPDMKTPT	Door Mount Kit, Frosted Nickel Finish	

**A KNAPE & VOGT WASTE BIN PULL-OUTS**

B  
C  
D  
E  
F  
G  
H  
I  
J  
K  
L  
M  
N  
O  
P  
Q  
R  
S  
T  
U  
V  
W  
X  
Y



**PDMTM Series Double Trash Pull-Outs**

- Features a multi-ply birch veneered plywood carriage
- Full Extension Ball Bearing Standard-Close Slides
- 100 Lb. Weight Rating
- Includes wood carriage, slides, trash bin(s) and door mounting brackets



Item #	Description	Product Dimensions
KVPDMTM15-2-35WH	Double 35QT, Trash Pull-Out, White Bins	15"W x 22-1/2"D x 17-1/2"H
KVPDMTM17.5-2-35WH	Double 35QT, Trash Pull-Out, White Bins	17-1/2"W x 22-1/2"D x 17-1/2"H



**TSC Series Double Trash Pull-Outs**

- Features a multi-ply birch veneered plywood carriage
- 1" Over-Travel Ball Bearing Soft-Close Slides
- 100 Lb. Weight Rating
- Includes wood carriage, slides, trash bin(s), and door mounting brackets

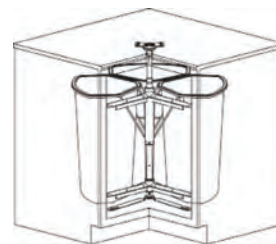


Item #	Description	Product Dimensions
KVTSC15-2-35PT	Double 35QT, Trash Pull-Out, Platinum Bins	15"W x 23-3/16"D x 17-1/2"H
KVTSC15-2-35WH	Double 35QT, Trash Pull-Out, White Bins	15"W x 23-3/16"D x 17-1/2"H



**3 Bin Corner Recycling Center**

- KV RRC Series specialty corner recycling center
- 32 Quart, No Lid
- White, Plastic
- Unit rotates 360°
- Designed to fit in 36" base corner cabinet
- Installs with 8 screws



Item #	Min. Cabinet Width & Opening	Post Height Range	Door Mount
KVRRC28KWH	14-3/8" / 21"	28-1/2" to 30-1/2"	No Door Mount Hardware



**Plastic Door Mounted Bin**

- KV DWB975 Series door mounted trash pull-out
- Waste bins are available in white only
- Installs easily with only two screws
- Removable bin mounts on white wire frame



Item #	Dimensions	Bin Description
KVDWB975WH	9-1/2" W x 7"D x 11-1/8"H	White, 9 qt., No Lid



**KNAPE & VOGT REPLACEMENT WASTE BINS**

**Plastic Waste Bins, Lids & Door Mount Kits**



A



B



C



NOTE: These lids will add to the height of the waste containers. It is recommended adding 3/4" of height to the product you are using. Take this into account when measuring your cabinet.

**Replacement Plastic Waste Bins**

	Platinum Item #	White Item #	Bin Size	Bin Capacity	Sold In
A	KVQT20PB-PT	KVQT20PB-WH	14-15/16"W x 7-1/4"D x 16"H	20 qt.	6
	KVQT27PB-PT	KVQT27PB-WH	11-7/16"W x 11-7/16"D x 17-3/4"H	27 qt.	1
	KVQT35PB-PT	KVQT35PB-WH	14-15/16"W x 9-5/16"D x 17-1/2"H	35 qt.	6
	KVQT50PB-P	KVQT50PB-W	15-3/8"W x 11-1/8"D x 21-5/8"H	50 qt.	8

**Lids**

	Platinum Item #	White Item #	Lid Size	Fits Bin Size	Sold In
B	KVQT20LBPT	KVQT20LB-WH	14-1/2"W x 7-7/16"D x 3/4"H	20 qt.	1
	KVQT35LB-PT	KVQT35LB-WH	14-1/2"W x 9-9/16"D x 3/4"H	35 qt.	1

**Heavy Duty Door Mount Kits Only - PSW Series**

	Item #	Kit Includes	Finish	Sold In
C	KVPDMKTPT	Instructions and hardware	Frosted Nickel	1

A  
B  
C  
D  
E  
F  
G  
H  
I  
J  
K  
L  
M  
N  
O  
P  
Q  
R  
S  
T  
U  
V  
W  
X  
Y

**A** **KNAPE & VOGT BASE ORGANIZER & MIXER LIFT**

**B**  
**C**  
**D**  
**E**  
**F**  
**G**  
**H**  
**I**  
**J**  
**K**  
**L**  
**M**  
**N**  
**O**  
**P**  
**Q**  
**R**  
**S**  
**T**  
**U**  
**V**  
**W**  
**X**  
**Y**



**Cabinet Pot & Pan Organizer Pull-Out**



- Base unit includes: (4) full extension 100 lb. ball bearing slides and (2) independent pull out shelves, top shelf also has tray/plate on left and right sides
- Wall unit includes: 100 lb. rated ball bearing slides, (6) movable rubber hooks
- Base Pot & Pan Organizer installs easily by screwing the slide bracket to the base of the cabinet
- Cannot be door mounted

Item #	Dimensions	Cabinet Type/ Min. Opening	Slide Color/ Weight Rating	Finish
<b>Base Pot &amp; Pan Organizer, Ball Bearing, Full Extension Slide</b>				
KVSPS21-FN	19-1/2"W x 22-1/4"D x 14-1/4"H	Base, Framed, 20"	Zinc/100 lb.	Frosted Nickel



**Heavy Duty Base Cabinet Mixer Lift System**

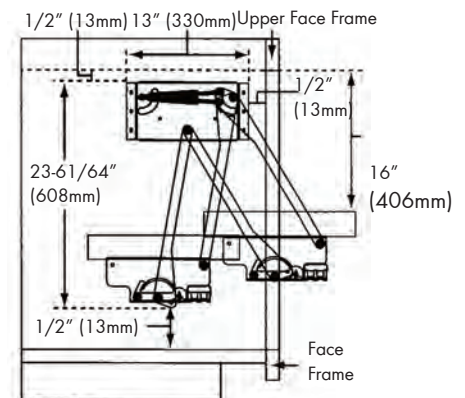


Heavy-duty mixer features built-in shock dampers which allow for a smooth movement when going up or down. This lift also features an adjustable spring tension mechanism which helps ease the effort of lifting or lowering the mixer. The mixer lift can be adjusted to several different weight capacities: 0-20 lbs, 20-30 lbs and 30-60 lbs.

- Cabinet Depth: 24" Minimum
- Cabinet Height: Full height with no drawer
- To help determine the width of your shelf install the mounting plates and then measure the distance between them minus 1-1/4"
- Cabinet Frame Opening: 12-1/2" Minimum
- Shelf Size: 3/4" thick x 20-1/2" length Minimum
- Requires: #10 x 3/4 screws & #8 x 1/2 screws

**Specifications:**

- Weight: 60lb Maximum
- Height: 17-9/16" Maximum
- **No Shelf Included**



Note Install 1/2" down and 1/2" back from upper Face Frame (as shown)



Features adjustable spring tension and built-in shock dampers

Item #	Dimensions	Description	Finish
KVHAL-20	See diagram above	Hardware Mechanism, Left and Right Arm	Platinum

**KNAPE & VOGT TRAY DIVIDERS & TOWEL BAR PULL-OUT**



A. Wood Roll Out Tray Divider



B. Melamine Roll Out Tray



C. Stationary Tray Dividers

**Pull-Out & Stationary Tray Dividers**



- Wood roll out divider platform made of birch veneer
- The roll out tray dividers cannot be door mounted
- The roll out tray dividers install by screwing the slide bracket to the base of the cabinet
- The standard tray dividers install with 4 screws

Item #	Dimensions	Tray Divider Type	Slide Color/ Weight Rating	Finish	
<b>Wood Base Roll Out Tray Divider, Ball Bearing, Full Extension Slide</b>					
A	KVTDRO-FNW-06	5-15/16"W x 22-1/4"D x 14"H	Wood Roll Out 3 dividers	Zinc/100 lb.	Frosted Nickel
	KVTDRO-FNW-09	8-11/16"W x 22-1/4"D x 14"H	Wood Roll Out 4 dividers	Zinc/100 lb.	Frosted Nickel
<b>Melamine Base Roll Out Tray Dividers, Euro Slide, 3/4" Extension</b>					
B	KVTDRO6WH	6"W x 22"D x 19-1/2"H	Melamine Roll Out 3 dividers	White/75 lb.	White
	KVTDRO9WH	9"W x 22"D x 19-1/2"H	Melamine Roll Out 4 dividers	White/75 lb.	White

<b>Stationary Tray Divider (15/16"W x 19-1/2"D)</b>				
Single Pack Item #	Height	Tray Divider Type	Finish	
C	KVTD12FN-1	12"H	Single Divider	Frosted Nickel
	KVTD18FN-1	18"H	Single Divider	Frosted Nickel
	KVTD18WH-1	18"H	Single Divider	White



**Towel Bar Pull-Outs**

- Standard towel bar pull outs for base cabinets
- Designed with 3 prongs, can be mounted on the right or left sides of the cabinet
- Ball bearing full extension slides in which all three prongs pull-out at once
- Easy installation by screwing the slide bracket to the side of the cabinet



Item #	Dimensions	Slide Color/ Weight Rating
KV793-ANO	4-13/16"W x 17-3/4"D x 1-5/16"H	Zinc/20 lb.

A  
B  
C  
D  
E  
F  
G  
H  
I  
J  
K  
L  
M  
N  
O  
P  
Q  
R  
S  
T  
U  
V  
W  
X  
Y

A

**KNAPE & VOGT TIP-OUT TRAYS & LAZY SUSANS**

B

C

D

E

F

G

H

I

J

K

L

M

N

O

P

Q

R

S

T

U

V

W

X

Y



A - Tip-Out Tray, No Tabs

**Individual Tip-Out Tray Packs**

- White plastic sink tip-out trays and hinges
- Depths: Slim (1-5/8"), Standard (2") and (2-3/4")
- Sizes range from 8-5/8" to 30-1/4"W
- Sink Tip-Out Hinges sold separately below



B - Scissor Hinge

	Item #	Dimensions	Description	Sold In
A	KVPSF11PF-WH	11"L x 1-5/8"D x 3"H	Slim Depth, No Tab Stops	10 Each
	KVPSF14PF-WH	14"L x 1-5/8"D x 3"H	Slim Depth, No Tab Stops	10 Each
	KVPSF8.62W	8-5/8"L x 2"D x 3"H	Std. Depth, No Tab Stops	1 Each
	KVPSF11W	11"L x 2"D x 3"H	Std. Depth, No Tab Stops	1 Each
	KVPSF2425W	24-1/4"L x 2"D x 3"H	Std. Depth, No Tab Stops	1 Each
	KVPSF3025W	30-1/4"L x 2"D x 3"H	Std. Depth, No Tab Stops	1 Each



C - Euro Hinge

	Item #	Dimensions	Packaging	Color	Sold In
B	KV-SH	2-7/8"W x 1-7/8"D x 3-13/16"H	Pair of 40° Scissor Hinges	Nickel Plated	1 Pair
C	KVETHNI	2-7/8"W x 2-1/4"D x 3-3/4"H	Pair of 45° Euro Hinges	Nickel Plated	10 Pair

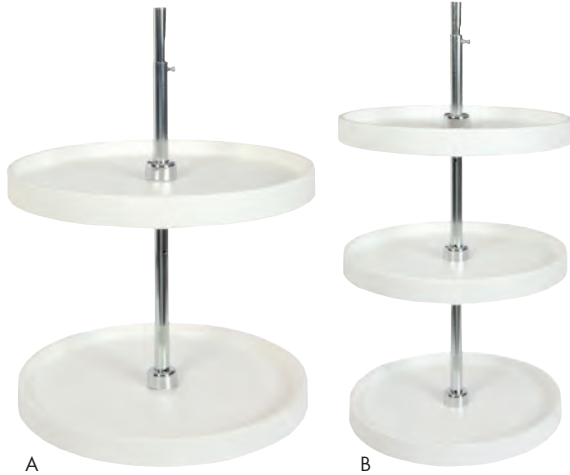
**Kidney-Shaped Plastic Lazy Susans, Premium Two Shelf Sets**

- Independently Rotating
- Double wall polymer and sturdy rib construction for maximum strength
- Shelf lip is 1" high
- Two shelf sets have a post height range of 25-1/2" - 31-1/2"
- Standard pack includes shelves, one post and installation hardware



Item #	Description	Shelf Size
KVPKN18ST-W	Two Shelf Set w/Hardware	18" Dia.
KVPKS24WH	Two Shelf Set w/Hardware	24" Dia.
KVPKS28WH	Two Shelf Set w/Hardware	28" Dia.
KVPKNS32WH	Two Shelf Set w/Hardware	32" Dia.

## KNAPE & VOGT LAZY SUSANS



### Full Circle Lazy Susans, Independent Rotating, Plastic Two & Three Shelf Sets



- Made of double wall White polymer and sturdy rib construction for maximum strength
- Shelf lip is 1" high
- Two shelf sets have a post height range of 25-1/2" - 31-1/2"
- Three shelf sets have a post height range of 35-1/2" - 40-1/4"
- Pack includes shelves, one post, installation template and hardware

	Item #	Description	Shelf Size
A	KVPFR18WH	Two Shelf Set w/Hardware	18" Dia.
	KVPFR20WH	Two Shelf Set w/Hardware	20" Dia.
	KVPFR28WH	Two Shelf Set w/Hardware	28" Dia.
	KVPFR32WH	Two Shelf Set w/Hardware	32" Dia.
B	KVPFR18WH3	Three Shelf Set w/Hardware	18" Dia.
	KVPFR20S3TWH	Three Shelf Set w/Hardware	20" Dia.

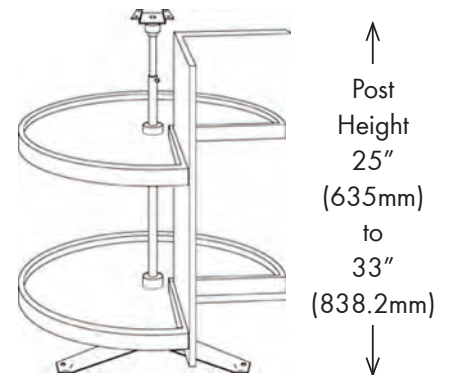
A  
B  
C  
D  
E  
F  
G  
H  
I  
J  
K  
L  
M  
N  
O  
P  
Q  
R  
S  
T  
U  
V  
W  
X  
Y



### Pie-Cut Shaped Plastic Lazy Susans, Premium Two Shelf Sets



- Made of double wall polymer and sturdy rib construction
- Dependently Rotating, Door Mounted
- Shelf lip is 1" high
- Shelves available in white
- Two shelf sets have a post height range for interior cabinet heights of 25" to 33"
- Pack includes: (2) Shelves, (1) Telescoping Shaft, installation template and hardware



Item #	Description	Shelf Size
KVPPN24SW	Two Shelf Set, w/Hardware	24" Dia.
KVPPN28SW	Two Shelf Set, w/Hardware	28" Dia.

**TRIANGLE BEARINGS & WOOD TECHNOLOGY SILVERWARE KIT**



A



B

**Zinc Plated Steel Round & Square Bearings**



- Zinc coated for rust resistance and have up to 1,000 lb. weight capacity
- Manufactured with a large ball race designed for maximum stability
- Only 5/16" thick and can be recessed into surfaces which will reduce space to 1/8" (Also can be inverted)
- Single piece, pre-assembled so there is no contact under load except through the rolling balls
- 360° interlock prevents separation of moving parts. Bearing is interlocked for lifetime of unit. No rivet to work loose or bind

Item #	Description	Maximum Recommended Shelf Diameter	Bearing Dimensions
<b>Square</b>			
A	TN3 Steel Swivel Bearing, 200 lbs weight capacity	18"	3" x 3"
	TN6 Steel Swivel Bearing, 500 lbs weight capacity	30"	6" x 6"
<b>Round - With And Without Detent</b>			
B	TN9 Steel Swivel Bearing, 750 lbs weight capacity	35"	9" Diameter
	TN12 Steel Swivel Bearing, 1,000 lbs weight capacity	48"	12" Diameter
	TN12D Steel Swivel Bearing, 1,000 lbs weight capacity, w/ Detent	48"	12" Diameter



Self Adhesive Felt Roll

**Felt Roll & Silverware Kit**



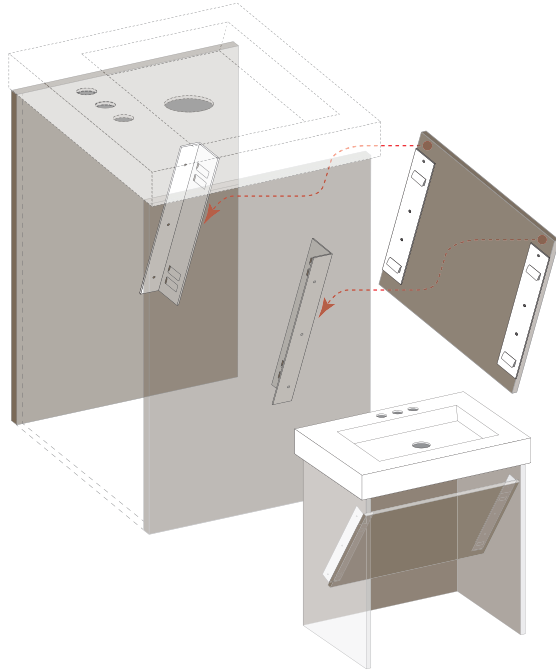
- Roll felt material is 17-23/32"W x 39-3/8"L with an anti-tarnish brown felt cloth
- Trim to fit roll easily can be cut to any size
- Kit includes (1) 17-23/32"W x 39-3/8"L felt roll and (11) pieces capable of storing 70 utensils
- Kit pieces have self adhesive backings for fast and secure installation



Silverware Kit

Item #	Drawer Felt Lining Type	Color
WDT0701	(1) Self Adhesive Felt Roll	Brown
WDT0700-BN	Silverware Kit; (1) Self Adhesive Roll & Holders for 70 utensils	Brown

**PRO MODESTY PANEL BRACKET & FALSE FRONT BRACKETS**



**ADA Modesty Panel Bracket  
For Removable Plumbing Panel**



- Powder coated white
- Lift and pull to remove for easy access to plumbing
- 2 panel members and 2 interchangeable cabinet members included
- 2mm adjustment side to side
- Uses 5mm Euro Screw
- Patent Pending
- 12 per box. Available any quantity.

<b>Item #</b>
DDLMPB-WH

A  
B  
C  
D  
E  
F  
G  
H  
I  
J  
K  
L  
M  
N  
O  
P  
Q  
R  
S  
T  
U  
V  
W  
X  
Y



**Snap In False Front Clips**



- Two-piece clear plastic set is screwed to the back of the false front and the side of the face frame
- Sold in full box quantities

<b>Item #</b>	<b>Box Qty</b>
TNT190191	100



**False Front Bracket, Chrome**



- Universal connecting bracket with 32mm hole spacing
- Used for false front panels which are to be permanently affixed to the cabinet
- Sold in boxes of 250 pieces

<b>Item #</b>	<b>Box Qty</b>
HET24832	250



**Steel Connecting Strip**



- Material: steel, white epoxy coated
- With 4 holes, diameter: 1/4"

<b>Base Diameter</b>	<b>Dimensions</b>	<b>Finish</b>
FUTHD12753031	8"L x 13/16"W x 1/8"Thick	White

**A SUNBELT & PRO TOE KICKS**



**Pre Fab Plastic Toe Kick**

With the Americans with Disabilities Act, it was required that the floor space in front of a sink in a public facility be clear to allow forward approach. As a result, commercial builders had to make modifications to take the disabled into consideration when constructing any facility in the United States. Base cabinets could no longer be attached to the floor in front of a sink. Instead, contractors use a toe kick product, which is a recess or indentation at the bottom of a cabinet to provide room to allow the user to stand closer without “kicking the toe.” Toe kicks are used to create a clean look at the base of a cabinet. It attaches to the front to hide the seams when cabinets are attached to each other. However, building these toe kicks has been a time consuming and costly expenditure and contractors need a quick solution that will save them time and money.

Item #	Description	Finish
ADATK36.2	PF Toe Kick with 2" Setback, Includes: (1) 17" Left Toe Kick, (1) 17" Right Toe Kick and (8) screws	White
ADATK36.3	PF Toe Kick with 3" Setback, Includes: (1) 17" Left Toe Kick, (1) 17" Right Toe Kick and (8) screws	White
ADATK48.2	PF Toe Kick with 2" Setback, Includes: (1) 23" Left Toe Kick, (1) 23" Right Toe Kick and (8) screws	White
ADATK48.3	PF Toe Kick with 3" Setback, Includes: (1) 23" Left Toe Kick, (1) 23" Right Toe Kick and (8) screws	White

**EZ-Kick Metal ADA Toe Kicks**



**Perfect solution to complying with the Americans with Disabilities Act (ADA)**

EZ-Kick Toe Kick's 18 gauge steel powder coated brackets allows the toe kick to swing out with the cabinet door allowing unimpeded access for wheel chairs to sink, counter, desk, or other work areas.

- Two offsets available: 3", 4"
- Two colors available: Black and White powdercoat
- Packaged 10 pair per box; available any quantity of pairs.



Item #	Description	Finish
EZ2000-3WH	Toe Kick with 3" Offset, Includes: (1) 12" Left, (1) 12" Right Toe Kick and (8) screws	White
EZ2000-3BK	Toe Kick with 3" Offset, Includes: (1) 12" Left, (1) 12" Right Toe Kick and (8) screws	Black
EZ2000-4WH	Toe Kick with 4" Offset, Includes: (1) 12" Left, (1) 12" Right Toe Kick and (8) screws	White
EZ2000-4BK	Toe Kick with 4" Offset, Includes: (1) 12" Left, (1) 12" Right Toe Kick and (8) screws	Black



**IRON-A-WAY IRONING BOARD CABINETS**

A  
B  
C  
D  
E  
F  
G  
H  
I  
J  
K  
L  
M  
N  
O  
P  
Q  
R  
S  
T  
U  
V  
W  
X  
Y



**Ironing Board Cabinet, 42" Deluxe, Swiveling Board**



- 42" Swivel Ironing Board, Electrical System, No Door
- Outside Dimensions: 15" x 52" x 7-3/4"
- Rough-In Opening Size: 14-3/8" x 51-1/4" x 3-7/8"
- Sold in Each

**Includes:**

- 42" Ventilated Steel Ironing Board, Hot Iron Storage
- Storage Shelves, Ironing Board (Cover & Pad)
- Electrical System: (Motor Timer, Safety Disconnect Switch Appliance Outlet, & Indicator Light)
- Electrical Cord Wrap, Garment Bar, Spotlight (No Bulb)

Item #	Interior Color	Exterior Finish
IRAE42NDU	Cool Gray	Unfinished



**Ironing Board Cabinet, 42" Deluxe, Non-Swiveling Board**



- 42" Ironing Board, Electrical System, No Door
- Outside Dimensions: 15" x 52" x 7-3/4"
- Rough-In Opening Size: 14-3/8" x 51-1/4" x 3-7/8"
- Sold in Each

**Includes:**

- 42" Ventilated Steel Ironing Board, Hot Iron Storage
- Storage Shelves, Ironing Board (Cover & Pad)
- Electrical System: (Motor Timer, Safety Disconnect Switch Appliance Outlet, & Indicator Light),
- Electrical Cord Wrap, Garment Bar, Spotlight (No Bulb)

Item #	Interior Color	Exterior Finish
IRE42NDU	Cool Gray	Unfinished



**Ironing Board Cabinet, 42" Deluxe, Wood Door, Non-Swiveling Board**



- 42" Ironing Board, Non-Electric, Wood Flat Door
- Outside Dimensions: 15" x 52" x 7-3/4"
- Rough-In Opening Size: 14-3/8" x 51-1/4" x 3-7/8"
- Outside Door Dimensions: 15" x 52" x 3/4"
- Sold in Each

**Includes:**

- 42" Ventilated Steel Ironing Board, Hot Iron Storage
- Storage Shelves, Full Length Piano Hinge, Ironing Board (Cover & Pad)
- Garment Bar, Wood Flat Door (Unfinished, Maple Veneer)
- Garment Bar, Spotlight (No Bulb)

Item #	Interior Color	Exterior Finish
IRNE42WDU	Cool Gray	Unfinished

**A IRON-A-WAY IRONING BOARD CABINETS**

B  
C  
D  
E  
F  
G  
H  
I  
J  
K  
L  
M  
N  
O  
P  
Q  
R  
S  
T  
U  
V  
W  
X  
Y



**Ironing Board Cabinet, 42" Electric Deluxe With Wood Door & Adjustable Swiveling Board**



- 42" Ironing Board, Electric, Wood Flat Door (Right Side)
  - Outside Dimensions: 15" x 52" x 7-3/4"
  - Rough-In Opening Size: 14-3/8" x 51-1/4" x 3-7/8"
  - Outside Door Dimensions: 15" x 52" x 3/4"
  - Sold in Each
- Includes:**
- 42" Ventilated Steel Swiveling Ironing Board and Hot Iron Storage
  - Storage Shelves, Ironing Board (Cover & Pad)
  - Electrical System: (Motor Timer, Safety Disconnect Switch Appliance Outlet, & Indicator Light)
  - Electrical Cord Wrap, Garment Bar, Spotlight (No Bulb)

Item #	Interior Color	Exterior Finish
IRAE42	Cool Gray	Unfinished



**Ironing Board Cabinet, 46" Electric Premium With Wood Door & Adjustable Swiveling Board**



- 46" Ironing Board, Electric, Wood Flat Door (Right Side)
  - Outside Dimensions: 15" x 60" x 7-3/4"
  - Rough-In Opening Size: 14-3/8" x 59-7/8" x 3-7/8"
  - Outside Door Dimensions: 15" x 60" x 3/4"
  - Sold in Each
- Includes:**
- 46" Ventilated Steel Swiveling Ironing Board and Hot Iron Storage
  - Storage Shelves, Ironing Board (Cover & Pad)
  - Electrical System: (Motor Timer, Safety Disconnect Switch Appliance Outlet, & Indicator Light)
  - Electrical Cord Wrap, Garment Bar, Spotlight (No Bulb)

Item #	Interior Color	Exterior Finish
IRAE46WDU	Cool Gray	Unfinished



**Ironing Board Cabinet, 42", Non-Swiveling Board**



- 42" Ironing Board, Non-Electric, No Door
  - Outside Dimensions: 14-1/2" x 51" x 3-3/4"
  - Rough-In Opening Size: 14-1/2" x 51" x 3-7/8"
  - Sold in Each
- Includes:**
- 42" Ventilated Steel Ironing Board
  - Ironing Board Cover & Pad

Item #	Interior Color	Exterior Finish
IRIAW42NDU	Cool Gray	Unfinished

**SECTION K - REV-A-SHELF TABLE OF CONTENTS**

**Section K REV-A-SHELF Contents:**

Base/Wall Cabinet Pull-Out  
 Organizers..... 62-80  
 Pantry Pull-Outs..... 81-90  
 Drawer/Shelf Pull-Outs ..... 91-98  
 Glideware..... 99-100  
 Blind Corner Pull-Outs..... 101-107  
 Undersink Organizers ..... 108-110  
 Tray Dividers..... 110-111  
 Mixer Lifts..... 111-112  
 Drip Trays..... 113  
 Tip-Out Trays..... 113-116  
 Drawer Inserts..... 117-122  
 Drawers..... 123-128  
 Charging Drawer &  
 Cutting Board Racks..... 129  
 Cabinet Door Organizers..... 130-133  
 Stemware Racks ..... 134  
 Pull-Down Shelves..... 135  
 Bottom Mount Waste Bin  
 Pull-Outs..... 136-145  
 Top Mount Waste Bin Pull-Outs..... 146-148  
 Replacement Waste Bins ..... 149  
 Full Circle Lazy Susans..... 150-155  
 D-Shaped Lazy Susans ..... 156-158  
 Kidney Lazy Susans ..... 159-165  
 Pie-Cut/Half Moon Lazy Susans... 165-168  
 Lazy Susan Hardware..... 169  
 Vanity Base Pull-Out Organizers... 170-171  
 Vanity Pull-Out Hampers/  
 Waste Bins..... 172-175  
 Vanity Drawers ..... 176-177  
 Vanity Pull-Out Shelf Organizers..... 178  
 Vanity Cabinet Door Organizers ..... 179  
 Pull-Out Ironing Boards..... 180



- A
- B
- C
- D
- E
- F
- G
- H
- I
- J
- K**
- L
- M
- N
- O
- P
- Q
- R
- S
- T
- U
- V
- W
- X
- Y

**A REV-A-SHELF BASE/WALL CABINET PULL-OUT ORGANIZERS**

B  
C  
D  
E  
F  
G  
H  
I  
J  
K  
L  
M  
N  
O  
P  
Q  
R  
S  
T  
U  
V  
W  
X  
Y



**Side and Bottom Mount Base Pull-Out w/Knife Block**



- Designed for 12" full height base cabinets
- Face Frame fit 1-3/4", 1-1/2" and 1-5/8"
- Full Access fit 3/4" and 5/8"
- Natural maple construction with semi-gloss finish
- Full-extension, TANDEM, 110 lb. rated concealed slides with BLUMOTION soft-close
- Knife block features flex rod technology that adjust to securely hold knives
- Includes: (4) flexible plastic cutting mats & (1) 2 qt. removable stainless steel bin
- Mounts to cabinet door, floor and side
- Patented foldable slide set for easy installation (US Patent No. 10,799,020)
- Patented door mount brackets provide 5" of adjustability and include micro-trim adjuster (US Patent No. 8,388,076)



Frameless slide location



Face Frameless slide location



Item #	Dimensions	Description	Cabinet Type / Size
RV449KB-BCSC-8C	9-9/32"W x 21-3/4"D x 25-19/32"H	Base Organizer w/ (1) Bin	Framed, 12"

**REV-A-SHELF BASE/WALL CABINET PULL-OUT ORGANIZERS**



**Side and Bottom Mount Base Pull-Out w/Utensil Bins**



- Designed for 12" full height base cabinets
- Face Frame fit 1-3/4", 1-1/2" and 1-5/8"
- Full Access fit 3/4" and 5/8"
- Natural maple construction with semi-gloss finish
- Full-extension, TANDEM, 110 lb. rated concealed slides with BLUMOTION soft-close
- Includes: (3) 1-1/4 qt. removable stainless steel bins
- Mounts to cabinet door, floor and side
- Patented foldable slide set for easy installation (US Patent No. 10,799,020)
- Patented door mount brackets provide 5" of adjustability and include micro-trim adjuster (US Patent No. 8,388,076)



Frameless slide location



Face Frameless slide location



Item #	Dimensions	Description	Cabinet Type / Size
RV449UT-BCSC-5C	6-1/4"W x 21-3/4"D x 25-19/32"H	Utensil Organizer w/3 Bins	Framed, 9"
RV449UT-BCSC-8C	9-1/4"W x 21-3/4"D x 25-19/32"H	Utensil Organizer w/3 Bins	Framed, 12"
RV449UT-BCSC-7C	7-1/2"W x 21-3/4"D x 25-1/4"H	Utensil Organizer w/3 Bins	Frameless, 9"
RV449UT-BCSC-10C	10-1/2"W x 21-3/4"D x 25-1/4"H	Utensil Organizer w/3 Bins	Frameless, 12"

A  
B  
C  
D  
E  
F  
G  
H  
I  
J  
K  
L  
M  
N  
O  
P  
Q  
R  
S  
T  
U  
V  
W  
X  
Y

**REV-A-SHELF BASE/WALL CABINET PULL-OUT ORGANIZERS**

A  
B  
C  
D  
E  
F  
G  
H  
I  
J  
K  
L  
M  
N  
O  
P  
Q  
R  
S  
T  
U  
V  
W  
X  
Y



**Side and Bottom Mount Base Pull-Outs**



- Designed for 12" full height base cabinets
- Face Frame fit 1-3/4", 1-1/2" and 1-5/8"
- Full Access fit 3/4" and 5/8"
- Natural maple construction with semi-gloss finish
- Full-extension, TANDEM, 110 lb. rated concealed slides with BLUMOTION soft-close
- Mounts to cabinet door, floor and side
- Patented foldable slide set for easy installation (US Patent No. 10,799,020)
- Patented door mount brackets provide 5" of adjustability and include micro-trim adjuster (US Patent No. 8,388,076)



Frameless slide location



Face Frameless slide location



Item #	Dimensions	Description	Cabinet Type / Size
RV449-BCSC-5C	6-1/4"W x 21-3/4"D x 25-19/32"H	Utensil Organizer	Framed, 9"
RV449-BCSC-8C	9-1/4"W x 21-3/4"D x 25-19/32"H	Utensil Organizer	Framed, 12"
RV449-BCSC-7C	7-1/2"W x 21-3/4"D x 25-1/4"H	Utensil Organizer	Frameless, 9"
RV449-BCSC-10C	10-1/2"W x 21-3/4"D x 25-1/4"H	Utensil Organizer	Frameless, 12"

**REV-A-SHELF BASE / WALL CABINET PULL-OUT ORGANIZERS**



**Paper Towel Pull-Outs**

- Natural maple construction with a semi-gloss finish
- Full-extension, TANDEM, 110 lb. rated concealed slides with BLUMOTION soft-close
- Patented mounting straps (US Patent No. 9,756,941)
- Adjustable rub bushings
- Patented door mount brackets provide 5" of adjustability and include micro-trim adjuster (US Patent No. 8,388,076)
- Refillable paper towel holder
- TSCA Title VI Compliant



Item #	Dimensions	Description	Cabinet Type / Size
RV448PTH-BCSC-6C	6-7/8"W x 21-3/4"D x 26-29/32"H	Paper Towel Pullout	Framed, 12"
RV448PTH-BCSC-8C	8-3/4"W x 21-3/4"D x 26-29/32"H	Paper Towel Pullout	Framed, 12"

A  
B  
C  
D  
E  
F  
G  
H  
I  
J  
K  
L  
M  
N  
O  
P  
Q  
R  
S  
T  
U  
V  
W  
X  
Y

**A REV-A-SHELF BASE/WALL CABINET PULL-OUT ORGANIZERS**

B  
C  
D  
E  
F  
G  
H  
I  
J  
K  
L  
M  
N  
O  
P  
Q  
R  
S  
T  
U  
V  
W  
X  
Y



**Base Cabinet Pullout w/ Knife Block & Utensil Bins**



- Designed for 9", 12" and 15" full height face frame base cabinets and 12" full height full access cabinets
- Natural maple construction with a semi-gloss finish
- Full-extension slides with BLUMOTION soft-close
- Patented mounting straps (US Patent No. 9,756,941)
- 448KB-BCSC-11C Includes (1) 2 qt. & (3) 1.25 qt. removable stainless steel bins
- 448KB-BCSC-5C, 8C & 9C Includes (1) 2 qt. removable stainless steel bin
- Knife block features flex rod technology that adjust to securely hold knives
- (4) flexible plastic cutting mats
- Adjustable rear wall
- Adjustable accessory shelf and lower static shelf with chrome rails
- Patented door mount brackets provide 5" of adjustability and include micro-trim adjuster (US Patent No. 8,388,076)
- TSCA Title VI compliant



Adjustable threaded rubber bushings included for custom applications



Includes flexible cutting mats

Item #	Dimensions	Description	Cabinet Type / Size
RV448KB-BCSC-5C	6"W x 21-5/8"D x 25-1/2"H	Base Organizer w/ (1) Bin	Framed, 9"
RV448KB-BCSC-8C	8-3/4"W x 21-5/8"D x 25-1/2 - 29-1/2"H	Base Organizer w/ (1) Bin	Framed, 12"
RV448KB-BCSC-11C	11-3/4"W x 21-5/8"D x 25-1/2 - 29-1/2"H	Base Organizer w/ (4) Bins	Framed, 15"
RV448KB-BCSC-9C	10-1/4"W x 21-5/8"D x 25-1/2 - 29-1/2"H	Base Organizer w/ (1) Bin	Frameless, 12"



## REV-A-SHELF BASE/WALL CABINET PULL-OUT ORGANIZERS



A. RV448-BC-14C

### 5" - 14" Wide Base Organizers

- Rev-A-Shelf's 448 Series
- Offered in Standard-Close & Soft-Close Versions
- 3 adjustable shelves w/chrome rails
- Includes rub bushings for 1-1/2" or 1-3/4" face frames
- Standard-Close Organizers are equipped with "tri-slides" on base
- Made of wood
- Spice Rack wood inserts available for 8"W and 11"W organizers



B. (Optional) RV448-SR Series



Tri-Slide

Item #	Dimensions	Slide Type	Cabinet Type / Size
<b>Base Cabinet Organizers, Full Extension Pull-Outs</b>			
RV448-BC19-5C	5"W x 19"D x 25-1/2"H	Ball Bearing w/Std-Close	Framed, 9" (19"D)
RV448-BC19SC-5C	6"W x 19-9/16"D x 25-1/2"H	Blum w/Soft-Close	Framed, 9" (19"D)
RV448-BC-05C	5"W x 22-1/2"D x 25-1/2"H	Ball Bearing w/Std-Close	Framed, 9"
RV448-BCBBSC-5C	5"W x 21-21/32"D x 25-1/2"-29-1/2"H	Ball Bearing w/Soft-Close	Framed, 9"
RV448-BCSC-5C	6"W x 21-5/8"D x 25-1/2"-29-1/2"H	Blum w/Soft-Close	Framed, 9"
RV448-BC-6C	6-1/2"W x 22-1/2"D x 25-1/2"H	Ball Bearing w/Std-Close	Frameless, 9"
RV448-BCSC-6C	7-1/4"W x 21-5/8"D x 25-1/2"-29-1/2"H	Blum w/Soft-Close	Frameless, 9"
RV448-BC19-8C	8"W x 19"D x 25-1/2"H	Ball Bearing w/Std-Close	Framed, 12" (19"D)
RV448-BC19SC-8C	8-3/4"W x 19-9/16"D x 25-1/2"H	Blum w/Soft-Close	Framed, 12" (19"D)
RV448-BC-08C	8"W x 22-1/2"D x 25-1/2"H	Ball Bearing w/Std-Close	Framed, 12"
RV448-BCBBSC-8C	8"W x 21-21/32"D x 25-1/2"-29-1/2"H	Ball Bearing w/Soft-Close	Framed, 12"
RV448-BCSC-8C	8-3/4"W x 21-5/8"D x 25-1/2"-29-1/2"H	Blum w/Soft-Close	Framed, 12"
RV448-BCSC-9C	10-1/4"W x 21-5/8"D x 25-1/2"-29-1/2"H	Blum w/Soft-Close	Frameless, 12"
RV448-BC-11C	11"W x 22-1/2"D x 25-1/2"H	Ball Bearing w/Std-Close	Framed, 15"
RV448-BCSC-11C	11-3/4"W x 21-5/8"D x 25-1/2"-29-1/2"H	Blum w/Soft-Close	Framed, 15"
RV448-BC-14C	14"W x 22-1/2"D x 25-1/2"H	Ball Bearing w/Std-Close	Framed, 18"
RV448-BCSC-14C	14-3/4"W x 21-5/8"D x 25-1/2"-29-1/2"H	Blum w/Soft-Close	Framed, 18"

Item #	Dimensions	448 Series Base Cabinet
<b>Spice Rack Insert, Only Designed for 8"W &amp; 11"W RV448 Base Cabinet Organizers</b>		
RV448-SR8-1	7"W x 21"D x 4-7/8"H	8"W, RV448-BC-8C
RV448-08SC-SRI-1	7"W x 19-7/16"D x 4-7/8"H	8"W, RV448-BCBBSC-8C
RV448-SR11-1	10"W x 21"D x 4-7/8"H	11"W, RV448-BC-11C
RV448-11SC-SRI-1	10"W x 19-7/16"D x 4-7/8"H	11"W, RV448-BCSC-11C

A  
B  
C  
D  
E  
F  
G  
H  
I  
J  
K  
L  
M  
N  
O  
P  
Q  
R  
S  
T  
U  
V  
W  
X  
Y

**A REV-A-SHELF BASE/WALL CABINET PULL-OUT ORGANIZERS**

A  
B  
C  
D  
E  
F  
G  
H  
I  
J  
K  
L  
M  
N  
O  
P  
Q  
R  
S  
T  
U  
V  
W  
X  
Y

**Specialty Base Organizers**



- Rev-A-Shelf's 448-BDD / 448OXO / 448UT
- 448-BDD are designed to have a drawer above
- 448OXO Includes: 7 OXO Containers
- 448UT Includes: 3 Stainless Steel Bins
- Base organizers are made of wood



A



B



C

	Item #	Dimensions	Slide Type	Cabinet Type/Size
<b>448 Series Maples Drawer/Door Base Organizer w/BLUMOTION Soft-Close</b>				
A	RV448-BDDSC-5C	5-29/32"W x 21-5/8"D x 19-3/8" - 23-3/8"H	Blum w/Soft-Close	Framed, 9"
	RV448-BDDSC-8C	8-3/4"W x 21-5/8"D x 19-3/8" - 23-3/8"H	Blum w/Soft-Close	Framed, 12"
	RV448-BDDSC-11C	11-3/4"W x 21-5/8"D x 19-3/8" - 23-3/8"H	Blum w/Soft-Close	Framed, 15"
<b>448OXO Series Base Cabinet Organizers, Full Extension Pull-Outs</b>				
B	RV448OXO-BCSC-8C	8-3/4"W x 21-5/8"D x 25-1/2"H - 29-1/2"H	Blum w/Soft-Close	Framed, 12"
<b>448UT Series Base Cabinet Organizers, Full Extension Pull-Outs</b>				
C	RV448UT-BCSC-5C	6"W x 21-5/8"D x 25-1/2"H - 29-1/2"H	Blum w/Soft-Close	Framed, 9"
	RV448UT-BCSC-8C	8-3/4"W x 21-5/8"D x 25-1/2"H - 29-1/2"H	Blum w/Soft-Close	Framed, 12"

**REV-A-SHELF BASE/WALL CABINET PULL-OUT ORGANIZERS**

A  
B  
C  
D  
E  
F  
G  
H  
I  
J  
K  
L  
M  
N  
O  
P  
Q  
R  
S  
T  
U  
V  
W  
X  
Y



**Specialty Base Organizers**



- Rev-A-Shelf's 438 Series
- Designed for full height 6" and 9" base cabinets
- Fully assembled maple construction with chrome accents
- (2) slide configurations:
  - Full extension, ball bearing, 100 lb rated slides
  - Full extension, 110 lb rated concealed slides with BLUMOTION soft-close
- Trimmable to 26-3/8"H for custom cabinets
- Adjustable shelves
- Designed with top slide for complete stability
- TSCA Title VI compliant

Item #	Description	Dimensions
<b>RV438 Series Maple Base Organizers w/BLUMOTION Soft-Close</b>		
RV438-BCSC-3C	Organizer for 6" Cabinet w/Soft-Close	3"W x 23"D x 27-5/16"H
RV438-BCSC-6C	Organizer for 9" Cabinet w/Soft-Close	6"W x 23"D x 27-5/16"H
<b>438 Series Base Cabinet Organizers, Full Extension Pull-Outs</b>		
RV438-BC-3C	Organizer for 6" Cabinet w/Ball Bearing w/Std Close	3"W x 23"D x 27-5/16"H
RV438-BC-6C	Organizer for 9" Cabinet w/Ball Bearing w/Std Close	6"W x 23"D x 27-5/16"H



**5" & 8" Wide Organizers With Tray Divider/Foil Wrap Holder**



- Rev-A-Shelf's 447 Series
- 447 Organizers are offered in Soft-Close
- 447 Organizers have a center tray divider and T-Bars that allow for customization
- Includes rub bushings for 1-1/2" or 1-3/4" face frames
- Standard-Close Organizers are equipped with "tri-slides" on base
- 447 Organizers are made of wood



Item #	Dimensions	Slide Type	Cabinet Type / Size
RV447-BCBBSC-5C	5.26"W x 21-21/32"D x 19-1/2"H	Ball Bearing w/Soft-Close	Framed, 9"
RV447-BCSC-5C	6"W x 21-21/32"D x 19-1/2"H	Blum Slides w/Soft-Close	Framed, 9"
RV447-BCSC-8C	8-3/4"W x 21-21/32"D x 19-1/2"H	Blum Slides w/Soft-Close	Framed, 12"
RV447-BCBBSC-8C	8"W x 21-21/32"D x 19-1/2"H	Ball Bearing w/Soft-Close	Framed, 12"

A  
B  
C  
D  
E  
F  
G  
H  
I  
J  
K  
L  
M  
N  
O  
P  
Q  
R  
S  
T  
U  
V  
W  
X  
Y

**REV-A-SHELF BASE/WALL CABINET PULL-OUT ORGANIZERS**



**5" & 8" Wide Wall Cabinet Organizers**



- Rev-A-Shelf's 448 Series
- Wall organizers are offered in Standard-Close and Soft-Close
- Includes rub bushings for 1-1/2" or 1-3/4" face frames
- Wall organizers are made of Maple wood

Item #	Dimensions	Description	Used For
<b>Wall Cabinet Pull-Out Organizer with Soft-Close</b>			
RV448-BBSCWC-5C	5"W x 10-3/4"D x 26-5/32"H	Pull-Out w/Soft-Close	Framed, 9"
RV448-BBSCWC-8C	8"W x 10-3/4"D x 26-5/32"H	Pull-Out w/Soft-Close	Framed, 12"
RV448-BBSCWC-6C	6-1/2"W x 10-3/4"D x 26-5/32"H	Pull-Out w/Soft-Close	Frameless, 9"
RV448-BBSCWC-9C	9-1/2"W x 10-3/4"D x 26-5/32"H	Pull-Out w/Soft-Close	Frameless, 12"
RV448-BBSCWC36-5C	5"W x 10-3/4"D x 32-5/32"H	Pull-Out w/Soft-Close	Framed, 9"
RV448-BBSCWC36-8C	8"W x 10-3/4"D x 32-3/32"H	Pull-Out w/Soft-Close	Framed, 12"
<b>Wall Cabinet Pull-Out Organizer with Standard Close</b>			
RV448-WC-5C	5"W x 10-3/4"D x 26-1/4"H	Pull-Out w/Std-Close	Framed, 9"
RV448-WC-8C	8"W x 10-3/4"D x 26-1/4"H	Pull-Out w/Std-Close	Framed, 12"
RV448-HP-523C	5"W x 10-3/4"D x 23"H	Pull-Out w/Std-Close	Range Hood, Framed, 9", 12"



**5" & 8" Wide Shelf Pull-Outs With Perforated Stainless Steel Panels**



- All RV444 Series wood pull outs are fully assembled with perforated stainless steel panels and adjustable door mount brackets
- The perforated stainless steel panel is magnetic and allows for customization of storage
- Includes the patented bottom mounted "tri-slides" that prevent any side-to-side motion and provide complete stability when pulled out of the cabinet, rated at 100 lb. load capacity (110 lb. w/Blumotion slides)
- Includes rub bushings for 1-1/2" or 1-3/4" face frames
- All RV444 Series come standard with a variety of rubberized black hooks and pegs listed below

Item #	Dimensions	Slides/Weight Rating	Included Rubberized Hooks & Pegs
<b>Base Cabinet Organizer - For Framed, 12" Cabinet</b>			
A	RV444-BC-8SS	8"W x 22-1/2"D x 25-1/2"H	Ball Bearing/100 lb. (6) RV434-S3, (12) RV434-S6, (6) RV434-D3, (12) RV434-D6
	RV444-BCSC-8SS	8"W x 21-21/32"D x 25-1/2"H	Blumotion Soft-Close/ 110 lb. (6) RV434-S3, (12) RV434-S6, (6) RV434-D3, (12) RV434-D6
<b>Wall Cabinet Organizer - For Framed, 9" Cabinet</b>			
B	RV444-WC-5SS	5"W x 10-3/4"D x 26-1/4"H	Ball Bearing/100 lb. (8) RV434-S3, (8) RV434-PEG3, (4) RV434-D3



**REV-A-SHELF BASE/WALL CABINET PULL-OUT ORGANIZERS**



**Modern Base Organizers for Frameless Cabinets**

- Rev-A-Shelf's RV5322 Series
- All Modern Organizers are equipped with Blum Soft-Close Slides
- All Modern Organizers are offered with Gray or Maple shelving
- All Modern Organizers have two tiers
- RV5322KB 8"W Includes: 1 Stainless Steel Bin & Knife Block
- RV5322KB 11"W Includes: 4 Stainless Steel Bins & Knife Block
- RV5322UT Includes: 3 Stainless Steel Bins



Base Organizer



Knife Block Base Organizer



Utensil Base Organizer

Item #	Dimensions	Shelving Finish	Weight Rating	Cabinet Type / Size
<b>RV5322 Series Base Organizers w/BLUMOTION Soft-Close</b>				
RV5322-BCSC-6-GR	7-1/4"W x 21-11/16"D x 24-1/4"H	Gray	110 lbs.	Frameless, 9"
RV5322-BCSC-6-MP	7-1/4"W x 21-11/16"D x 24-1/4"H	Maple	110 lbs.	Frameless, 9"
RV5322-BCSC-9-GR	10-1/4"W x 21-11/16"D x 24-1/4"H	Gray	110 lbs.	Frameless, 12"
RV5322-BCSC-9-MP	10-1/4"W x 21-11/16"D x 24-1/4"H	Maple	110 lbs.	Frameless, 12"
<b>RV5322 Series Knife Block Base Organizers w/BLUMOTION Soft-Close</b>				
RV5322KB-BCSC-6-GR	7-1/4"W x 21-11/16"D x 24-1/4"H	Gray	110 lbs.	Frameless, 9"
RV5322KB-BCSC-6-MP	7-1/4"W x 21-11/16"D x 24-1/4"H	Maple	110 lbs.	Frameless, 9"
RV5322KB-BCSC-9-GR	10-1/4"W x 21-11/16"D x 24-1/4"H	Gray	110 lbs.	Frameless, 12"
RV5322KB-BCSC-9-MP	10-1/4"W x 21-11/16"D x 24-1/4"H	Maple	110 lbs.	Frameless, 12"
<b>RV5322 Series Utensil Base Organizers w/BLUMOTION Soft-Close</b>				
RV5322UT-BCSC-6-GR	7-1/4"W x 21-11/16"D x 24-1/4"H	Gray	110 lbs.	Frameless, 9"
RV5322UT-BCSC-6-MP	7-1/4"W x 21-11/16"D x 24-1/4"H	Maple	110 lbs.	Frameless, 9"

A  
B  
C  
D  
E  
F  
G  
H  
I  
J  
K  
L  
M  
N  
O  
P  
Q  
R  
S  
T  
U  
V  
W  
X  
Y

## REV-A-SHELF BASE/WALL CABINET PULL-OUT ORGANIZERS

### Modern Base Organizers for Framed Cabinets



- Rev-A-Shelf's 5322 / 5322UT / 5322KB Series
- All Modern Organizers are equipped with Blum Soft-Close Slides
- All Modern Organizers are offered with Gray or Maple shelving
- All Modern Organizers have two tiers
- 5322KB 8"W Includes: 1 Stainless Steel Bin & Knife Block
- 5322KB 11"W Includes: 4 Stainless Steel Bins & Knife Block
- 5322UT Includes: 3 Stainless Steel Bins



Base Organizer



Knife Block Base Organizer



Utensil Base Organizer

Item #	Dimensions	Shelving Finish	Weight Rating	Cabinet Type / Size
<b>5322 Series Base Cabinet Organizers, Full Extension Pull-Outs</b>				
RV5322-BCSC-5GR	6"W x 22-1/8"D x 24-1/2"H	Gray	110 lbs.	Framed, 9"
RV5322-BCSC-5MP	6"W x 22-1/8"D x 24-1/2"H	Maple	110 lbs.	Framed, 9"
RV5322-BCSC-8GR	8-1/4"W x 21-11/16"D x 24-1/2"H	Gray	110 lbs.	Framed, 12"
RV5322-BCSC-8MP	8-1/4"W x 21-11/16"D x 24-1/2"H	Maple	110 lbs.	Framed, 12"
RV5322-BCSC-11GR	11-3/4"W x 21-11/16"D x 24-1/2"H	Gray	110 lbs.	Framed, 15"
RV5322-BCSC-11MP	11-3/4"W x 21-11/16"D x 24-1/2"H	Maple	110 lbs.	Framed, 15"
<b>5322KB Series Base Cabinet Knife Block Organizers, Full Extension Pull-Outs</b>				
RV5322KB-BCSC-8GR	8-3/4"W x 21-11/16"D x 24-1/4"H	Gray	110 lbs.	Framed, 12"
RV5322KB-BCSC-8MP	8-3/4"W x 21-11/16"D x 24-1/4"H	Maple	110 lbs.	Framed, 12"
RV5322KB-BCSC-11GR	11-3/4"W x 21-11/16"D x 24-1/4"H	Gray	110 lbs.	Framed, 15"
RV5322KB-BCSC-11MP	11-3/4"W x 21-11/16"D x 24-1/4"H	Maple	110 lbs.	Framed, 15"
<b>5322UT Series Base Cabinet Utensil Organizers, Full Extension Pull-Outs</b>				
RV5322UT-BCSC-8GR	8-3/4"W x 21-11/16"D x 24-1/4"H	Gray	110 lbs.	Framed, 12"
RV5322UT-BCSC-8MP	8-3/4"W x 21-11/16"D x 24-1/4"H	Maple	110 lbs.	Framed, 12"

**REV-A-SHELF BASE / WALL CABINET PULL-OUT ORGANIZERS**

**Modern Base Organizers with Orion Gray Finish for Frameless Cabinets**



- Rev-A-Shelf's 5322 Series
- All Modern Organizers are equipped with Blum Soft-Close Slides
- All Modern Organizers are offered with solid bottom shelves with flat wire and textured linen finish
- All Modern Organizers have two tiers
- RV5322KB 6-1/2"W Includes: 1 Stainless Steel Bin & Knife Block
- RV5322UT Includes: 3 Stainless Steel Bins



Two-Tier Organizer



Two-Tier Knife Block Organizer



Two-Tier Utensil Organizer

Item #	Dimensions	Shelving Finish	Weight Rating	Cabinet Type / Size
<b>Two-Tier Organizer with Blum Soft-Close and Orion Gray Finish</b>				
RV5322-BCSC-6-FOG	7-1/4"W x 21-11/16"D x 24-1/4"H	Orion Gray	110 lbs.	Frameless, 9"
RV5322-BCSC-9-FOG	10-1/4"W x 21-11/16"D x 24-1/4"H	Orion Gray	110 lbs.	Frameless, 12"
<b>Two-Tier Knife Block and Utensil Base Organizer with Blum Soft-Close and Orion Gray Finish</b>				
RV5322KBBCSC6-FOG	7-1/4"W x 21-11/16"D x 24-1/4"H	Orion Gray	110 lbs.	Frameless, 9"
<b>Two-Tier Utensil Base Organizer with Blum Soft-Close and Orion Gray Finish</b>				
RV5322UTBCSC6-FOG	7-1/4"W x 21-11/16"D x 24-1/4"H	Orion Gray	110 lbs.	Frameless, 9"

A  
B  
C  
D  
E  
F  
G  
H  
I  
J  
K  
L  
M  
N  
O  
P  
Q  
R  
S  
T  
U  
V  
W  
X  
Y

A  
B  
C  
D  
E  
F  
G  
H  
I  
J  
K  
L  
M  
N  
O  
P  
Q  
R  
S  
T  
U  
V  
W  
X  
Y

## REV-A-SHELF BASE/WALL CABINET PULL-OUT ORGANIZERS



### Base Cabinet Pull-Out w/Polymer Shelves



- Designed for use in both 12" full height or drawer/door cabinet applications
- (2) adjustable polymer shelves with chrome accents
- Ball-bearing, patented tri-slide system
- Patented door mounting system (US Patent No: 7,204,569)

Item #	Dimensions	Designed For
RV548-BC-8C	7-29/32"W x 22-1/2"D x 19-5/16"H	12" Face Frame



### Base Cabinet Pull-Out w/Side Mount Slides



- Rev-A-Shelf 548 Series is premium pull outs for 9" wide base cabinets
- Two tiered pull outs designed for 2 liter bottles
- Available in chrome wire and includes reversible ball bearing slides (for mounting on left or right side of cabinet)
- Designed to mount to cabinet side wall and include mounting screws and spacers for the slides
- Can be door mounted

Packing & Sold In: Each

Item #	Dimensions	Pull-Out Type	Finish
RV548-06CR	5-1/2"W x 19-3/4"D x 19-1/2"H	Side & Door Mount	Chrome



### Towel Bar Base Filler Pull-Outs



- Designed for 3" and 6" base cabinet applications
- Natural maple construction with semi-gloss finish
- Full-extension, ball-bearing slides with soft-close
- Mounts between cabinets
- TSCA Title VI compliant

Item #	Dimensions	Description
RV432TB-BFBBSC-3C	3"W x 23"D x 30"H	3" Filler w/(2) Towel Bars
RV432TB-BFBBSC-6C	6"W x 23"D x 30"H	6" Filler w/(2) Towel Bars



**REV-A-SHELF BASE/WALL CABINET PULL-OUT ORGANIZERS**

**3", 6" & 9" Wide Wood Fillers**



- Rev-A-Shelf's 432 Series
- Offered in 3"W, 6"W, & 9"W sizes
- Offered in Standard-Close & Soft-Close Versions
- Adjustable shelves w/chrome rails
- Made of wood



A



B



C

A  
B  
C  
D  
E  
F  
G  
H  
I  
J  
K  
L  
M  
N  
O  
P  
Q  
R  
S  
T  
U  
V  
W  
X  
Y

	Item #	Dimensions	Slide Type	# of Shelves
<b>Base Cabinet Fillers, Full Extension Pull-Outs</b>				
A	RV432-BF-3C	3"W x 23"D x 30"H	Ball Bearing w/Standard-Close	3
	RV432-BFBBSC-3C	3"W x 23"D x 30"H	Ball Bearing w/Soft-Close	3
	RV432-BFSC-3C	3"W x 23"D x 30"H	Blum w/Soft-Close	3
B	RV432-BF-6C	6"W x 23"D x 30"H	Ball Bearing w/Standard-Close	3
	RV432-BFBBSC-6C	6"W x 23"D x 30"H	Ball Bearing w/Soft-Close	3
	RV432-BFSC-6C	6"W x 23"D x 30"H	Blum w/Soft-Close	3
C	RV432-BF-9C	9"W x 23"D x 30"H	Ball Bearing w/Standard-Close	3
	RV432-BFSC-9C	9"W x 23"D x 30"H	Blum w/Soft-Close	3

A  
B  
C  
D  
E  
F  
G  
H  
I  
J  
K  
L  
M  
N  
O  
P  
Q  
R  
S  
T  
U  
V  
W  
X  
Y

**REV-A-SHELF BASE/WALL CABINET PULL-OUT ORGANIZERS**



RV432-WFBBSC36-3C



RV432-WFBBSC33-6C



RV5KCUP-432

**3" & 6" Wide Wall Fillers**



- Rev-A-Shelf's 432 Series
- Offered in 3"W & 6"W sizes
- Adjustable shelves w/chrome rails
- 3 slide design which provides stability
- Made of wood, finish is Maple
- Available heights: 30", 33", 36", 39", & 42"

Item #	Description	Dimensions
<b>3" Width Wall Filler Pull-Out w/Soft-Close</b>		
RV432-WFBBSC30-3C	30"H Wall Filler w/Ball Bearing Soft-Close	3"W x 11-1/8"D x 30"H
RV432-WFBBSC33-3C	33"H Wall Filler w/Ball Bearing Soft-Close	3"W x 11-1/8"D x 33"H
RV432-WFBBSC36-3C	36"H Wall Filler w/Ball Bearing Soft-Close	3"W x 11-1/8"D x 36"H
RV432-WFBBSC39-3C	39"H Wall Filler w/Ball Bearing Soft-Close	3"W x 11-1/8"D x 39"H
RV432-WFBBSC42-3C	42"H Wall Filler w/Ball Bearing Soft-Close	3"W x 11-1/8"D x 42"H
<b>6" Width Wall Filler Pull-Out w/Soft-Close</b>		
RV432-WFBBSC30-6C	30"H Wall Filler w/Ball Bearing Soft-Close	6"W x 11-1/8"D x 30"H
RV432-WFBBSC33-6C	33"H Wall Filler w/Ball Bearing Soft-Close	6"W x 11-1/8"D x 33"H
RV432-WFBBSC36-6C	36"H Wall Filler w/Ball Bearing Soft-Close	6"W x 11-1/8"D x 36"H
RV432-WFBBSC39-6C	39"H Wall Filler w/Ball Bearing Soft-Close	6"W x 11-1/8"D x 39"H
RV432-WFBBSC42-6C	42"H Wall Filler w/Ball Bearing Soft-Close	6"W x 11-1/8"D x 42"H
<b>3" Width Wall Filler Pull-Out w/Standard Close</b>		
RV432-WF-3C	30"Wall Filler w/ Ball Bearing Standard-Close	3"W x 11-1/8"D x 30"H
RV432-WF33-3C	33"Wall Filler w/ Ball Bearing Standard-Close	3"W x 11-1/8"D x 33"H
RV432-WF36-3C	36"Wall Filler w/ Ball Bearing Standard-Close	3"W x 11-1/8"D x 36"H
RV432-WF-39-3C	39"Wall Filler w/ Ball Bearing Standard-Close	3"W x 11-1/8"D x 39"H
RV432-WF42-3C	42"Wall Filler w/ Ball Bearing Standard-Close	3"W x 11-1/8"D x 42"H
<b>6" Width Wall Filler Pull-Out w/Standard Close</b>		
RV432-WF-6C	30"Wall Filler w/ Ball Bearing Standard-Close	6"W x 11-1/8"D x 30"H
RV432-WF33-6C	33"Wall Filler w/ Ball Bearing Standard-Close	6"W x 11-1/8"D x 33"H
RV432-WF36-6C	36"Wall Filler w/ Ball Bearing Standard-Close	6"W x 11-1/8"D x 36"H
RV432-WF-39-6C	39"Wall Filler w/ Ball Bearing Standard-Close	6"W x 11-1/8"D x 39"H
RV432-WF42-6C	42"Wall Filler w/ Ball Bearing Standard-Close	6"W x 11-1/8"D x 42"H
<b>Accessory</b>		
RV5KCUP-432	K-Cup Accessory to 432 Series 3" Wall Filler	Fits all 432 Series 3" Wall Fillers

**REV-A-SHELF BASE / WALL CABINET PULL-OUT ORGANIZERS**

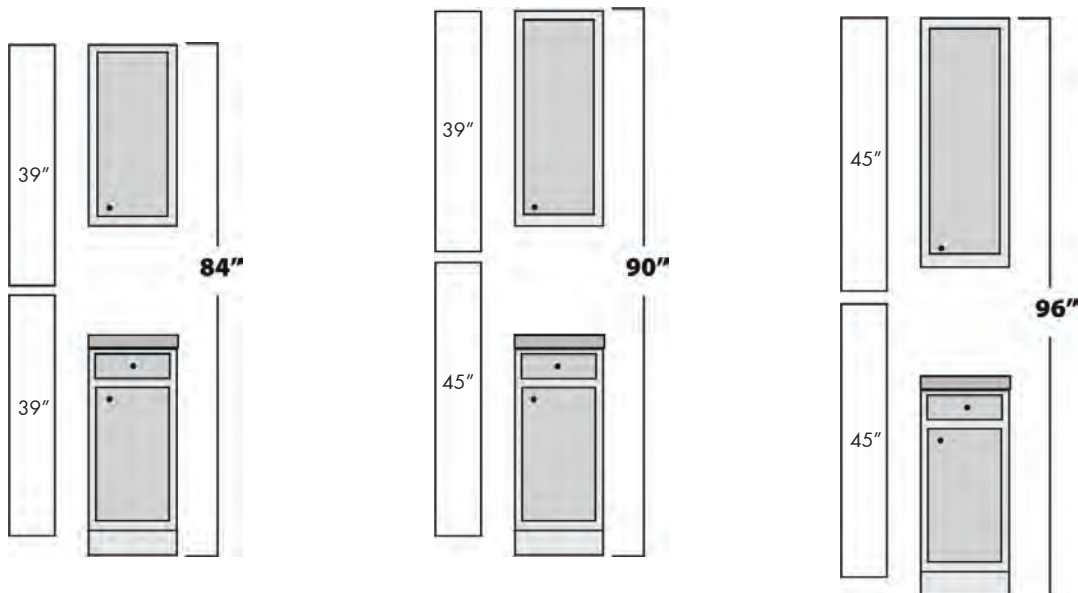


**6" Wide Fillers For 84", 90" or 96" Applications**

- Rev-A-Shelf 432TF Series
- RV432TF Series are fully assembled with 5 shelves for 39", 6 shelves for 45"
- All cabinet fillers have three premounted full extension ball bearing slides, providing a load rating of (one top slide, 2 bottom slides) 150 lb.
- 39" & 45" heights can be used alone or in top/bottom pairs to meet total height requirements of 84", 90" or 96" heights (see illustration below)
- All fillers come with mending plates that securely fastens the frames of the two fillers



Item #	Dimensions	Slide Color/Weight	Finish	Accessories Included
<b>RV432TF Series, Adjustable Wood Shelves - Ball Bearing, Full Extension Slides</b>				
RV432-TF39-6C	6"W x 23"D x 38-1/2"H	Zinc/150 lb.	Maple	5 Wood Chrome Rail Shelves
RV432-TF45-6C	6"W x 23"D x 44-1/2"H	Zinc/150 lb.	Maple	6 Wood Chrome Rail Shelves



NOTE: Different combinations permit use in 30", 36" and 42" wall applications.

A  
B  
C  
D  
E  
F  
G  
H  
I  
J  
K  
L  
M  
N  
O  
P  
Q  
R  
S  
T  
U  
V  
W  
X  
Y

**A REV-A-SHELF BASE/WALL CABINET PULL-OUT ORGANIZERS**

B  
C  
D  
E  
F  
G  
H  
I  
J  
K  
L  
M  
N  
O  
P  
Q  
R  
S  
T  
U  
V  
W  
X  
Y



**434 Series Tall Stainless Filler Organizers**



- Available for 6" applications in 39" and 45" heights
- Use alone or in conjunction with others to reach 84", 90", or 96" heights
- Features magnetic grade stainless steel panel and chrome accents
- Includes a variety of accessory hooks
- Full-extension, ball-bearing slides, 150 lb. rated
- Features three-slide design that provides for the most stable function on the market
- TSCA Title VI compliant

Item #	Dimensions	Slide Color/Weight	Finish	Accessories Included
<b>RV434TF Series, Stainless Steel Panels Left &amp; Right Version - Ball Bearing, Full Extension Slides</b>				
RV434-TF39-6SS (Left)	6"W x 23"D x 38-1/2"H	Zinc/150 lb.	Wood	(6) RV434-S3, (12) RV434-S6, (6) RV434-D6, (12) RV434-PEG6
RV434-TF39R-6SS (Right)	6"W x 23"D x 38-1/2"H	Zinc/150 lb.	Wood	(6) RV434-S3, (12) RV434-S6, (6) RV434-D6, (12) RV434-PEG6
RV434-TF45-6SS (Left)	6"W x 23"D x 44-1/2"H	Zinc/150 lb.	Wood	(6) RV434-S3, (12) RV434-S6, (6) RV434-D6, (12) RV434-PEG6
RV434-TF45R-6SS (Right)	6"W x 23"D x 44-1/2"H	Zinc/150 lb.	Wood	(6) RV434-S3, (12) RV434-S6, (6) RV434-D6, (12) RV434-PEG6



RV434-S3



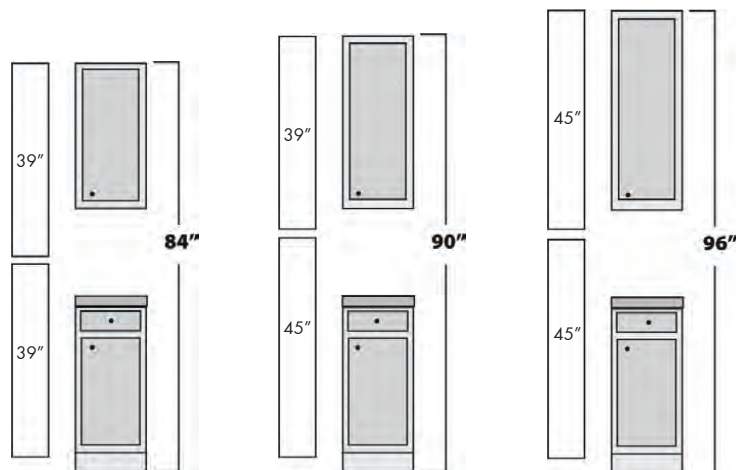
RV434-S6



RV434-D6



RV434-PEG6



NOTE: Different combinations permit use in 30", 36" and 42" wall applications.

**REV-A-SHELF BASE/WALL CABINET PULL-OUT ORGANIZERS**

A  
B  
C  
D  
E  
F  
G  
H  
I  
J  
K  
L  
M  
N  
O  
P  
Q  
R  
S  
T  
U  
V  
W  
X  
Y



**3"W & 6"W Base Cabinet Fillers w/Perforated Stainless Steel Panels**



- Rev-A-Shelf 434 Series
- Fully assembled with perforated stainless steel panels
- Stainless steel panel is magnetized and allows for customized storage
- Equipped with 3 full extension heavy duty ball bearing slides
- Include a variety of rubberized black hooks and pegs, detailed below

Item #	Dimensions	Slide / Wt Rating	Finish	Includes Rubberized Hooks & Pegs
RV434-BF-3SS	3"W x 23"D x 30"H	Full Ext./100 lb.	Wood	(12) RV434-S3, (6) RV434-D3, (12) RV434-PEG3
RV434-BF-6SS	6"W x 23"D x 30"H	Full Ext./100 lb.	Wood	(6) RV434-S3, (12) RV434-S6, (6) RV434-D6, (12) RV434-PEG6



**9"W Base Cabinet Filler With Perforated Stainless Steel Panel & Adjustable Shelves**



- Rev-A-Shelf 433 Series includes a perforated stainless steel panel on one side and four wood shelves on the other side
- Fully assembled w/perforated stainless steel, magnetic panel and adjustable shelves
- Equipped with 3 full extension heavy duty ball bearing slides
- Four adjustable wood shelves are 2-3/4" wide and have a chrome fence

Item #	Dimensions	Slide / Wt Rating	Finish	Includes Rubberized Hooks & Pegs
RV433-BF-9C	9"W x 23"D x 30"H	Full Ext./150 lb.	Wood	(6) RV434-S3, (12) RV434-S6, (6) RV434-D6, (12) RV434-PEG6
RV433-BFBSC-9C	9"W x 23"D x 30"H	Soft-Close/150 lb.	Wood	(6) RV434-S3, (12) RV434-S6, (6) RV434-D6, (12) RV434-PEG6



**3"W Wall Cabinet Fillers w/Perforated Stainless Steel Panels**



- Rev-A-Shelf 434 Series
- Fully assembled with perforated stainless steel panels
- Stainless steel panel is magnetized and allows for customized storage
- Equipped with 3 full extension heavy duty ball bearing slides
- Include a variety of rubberized black hooks and pegs, detailed below

Item #	Dimensions	Slide / Wt Rating	Finish	Includes Rubberized Hooks & Pegs
RV434-WF-3SS	3"W x 11-1/8"D x 30"H	Full Ext./100 lb.	Wood	(8) RV434-S3, (4) RV434-D3, (8) RV434-PEG3

A  
B  
C  
D  
E  
F  
G  
H  
I  
J  
K  
L  
M  
N  
O  
P  
Q  
R  
S  
T  
U  
V  
W  
X  
Y

## REV-A-SHELF BASE/WALL CABINET PULL-OUT ORGANIZERS



3" Single Hook



6" Single Hook



3" Double Hook



6" Double Hook



3" Peg



6" Peg

### Accessories for Cabinet Filler Steel Panels



Packing: See table below.  
Sold In: Full box quantities only

Item #	Description	Box Qty
RV434-S3	3" Extension, Single Hook	5
RV434-S6	6" Extension, Single Hook	5
RV434-D3	3" Extension, Double Hook	5
RV434-D6	6" Extension, Double Hook	5
RV434-PEG3	3" Extension, Peg	6
RV434-PEG6	6" Extension, Peg	6



### Wine Base Organizer



- Designed for a 15" minimum cabinet opening
- Chrome-plated round wire
- Gas spring assist soft-open/soft-close
- Holds (20) wine bottles, 150 lb. capacity
- Patented AMB door mount brackets that provide up to 5" of adjustability (US Patent No. 8,047,621)
- Universal for left or right handed cabinets

Item #	Description	Dimensions
RV5375-40WR-1CR	Wine Base Organizer for 15" Min. Cabinet Opening	14-1/8"W x 17"D x 25-3/4"H

**REV-A-SHELF PANTRY PULL-OUTS**



**5" - 14" Wide  
Pantry Pull-Outs**

- Rev-A-Shelf's 448-TP Series
- Ships Ready to assemble
- Kit Includes: Heavy Duty Gas-Assisted Soft-Close Slides, Mounting Hardware and Rub bushings for 1-1/2", 1-5/8" or 1-3/4" face frames
- TSCA Title VI compliant
- 250 Lbs. recommended use with pantry
- Wood Finish
- Ships by Truck
- Pull-force is equal to high-end refrigerator
- Cabinet pull should be centrally mounted



Adjustable shelves



Heavy Duty  
Gas-Assisted Soft-Close Slides

Item #	Number of Shelves	Width	Depth	Height (Min.)	Height (Max.)	Minimum Cabinet Opening
<b>Wood Pantry Pull-Outs, Full Extension</b>						
RV448-TP43-5-1	5	5"	22"	43-1/4"	51-13/16"	5-1/2"
RV448-TP51-5-1	6	5"	22"	50-3/4"	59-5/16"	5-1/2"
RV448-TP58-5-1	7	5"	22"	58-1/4"	66-13/16"	5-1/2"
RV448-TP43-8-1	5	8"	22"	43-1/4"	51-13/16"	8-1/2"
RV448-TP51-8-1	6	8"	22"	50-3/4"	59-5/16"	8-1/2"
RV448-TP58-8-1	7	8"	22"	58-1/4"	66-13/16"	8-1/2"
RV448-TP43-11-1	5	11"	22"	43-1/4"	51-13/16"	11-1/2"
RV448-TP51-11-1	6	11"	22"	50-3/4"	59-5/16"	11-1/2"
RV448-TP58-11-1	7	11"	22"	58-1/4"	66-13/16"	11-1/2"
RV448-TP43-14-1	5	14"	22"	43-1/4"	51-13/16"	14-1/2"
RV448-TP51-14-1	6	14"	22"	50-3/4"	59-5/16"	14-1/2"
RV448-TP58-14-1	7	14"	22"	58-1/4"	66-13/16"	14-1/2"

A  
B  
C  
D  
E  
F  
G  
H  
I  
J  
K  
L  
M  
N  
O  
P  
Q  
R  
S  
T  
U  
V  
W  
X  
Y

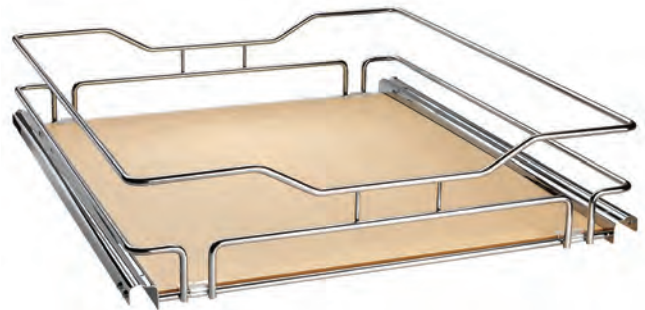
**A REV-A-SHELF PANTRY PULL-OUTS**



**8-5/8" - 14-1/2" Wide Pantry Pull-Outs**



- Rev-A-Shelf's 5200 MP Series
- Available in three heights and two widths
- Feature adjustable maple shelves with Stylinox, an anti-skid transparent coating
- 250 Lbs. rated soft-closing slide
- Packed as a Kit
- Kit Includes: frame, baskets, and door mounting brackets
- Baskets are adjustable, first basket mounts on top of the slide, 6" from floor, holes then every 4" above first basket
- Individual Basket Dimensions: 17-1/4"D x 3"H
- Must ship by truck



B

		Product Dimensions				# of Baskets	Finish
Item #	Description	Width	Depth	Height (Min.)	Height (Max.)		
<b>Pantry Pull-Outs, Full Extension</b>							
A	RV5225-09-MP	3 Baskets/2 Door Mount Brackets	8-5/8"	19-1/2"	26-3/4"	35"	3 Maple Shelves w/Chrome Rail
B	RV5258-09-MP	5 Baskets/3 Door Mount Brackets	8-5/8"	20"	59-1/2"	66-7/8"	5 Maple Shelves w/Chrome Rail
	RV5258-14-MP	5 Baskets/3 Door Mount Brackets	14-1/2"	20"	59-1/2"	66-7/8"	5 Maple Shelves w/Chrome Rail
	RV5273-09-MP	6 Baskets/4 Door Mount Brackets	8-5/8"	20"	74-7/8"	81-7/8"	6 Maple Shelves w/Chrome Rail
	RV5273-14-MP	6 Baskets/4 Door Mount Brackets	14-1/2"	20"	74-7/8"	81-7/8"	6 Maple Shelves w/Chrome Rail



**REV-A-SHELF PANTRY PULL-OUTS**



Pantry Pull-Out with Soft-Close



Baskets in Maple or Gray solid bottoms

**Pantry Pull-Outs w/Solid Bottom Shelves for Frameless Cabinets**



- Rev-A-Shelf's 5300 Series
- Available in five widths and four height ranges for frameless 24" deep cabinets
- Full-extension slides with soft-close, 250 lbs. rated
- Micro-adjustment door mounting brackets
- Kit packaged with frame, baskets and hardware
- Basket shelves are offered in maple or gray solid bottoms
- TSCA Title VI compliant
- Ships by truck

Gray Basket Item #	Maple Basket Item #	# of Baskets	Door Mount Brkts.	Min. Cabinet Opening	Min. Height	Max. Height
<b>Pantry Pull-Out Series - Solid Shelves, 250 Lbs Full Extension w/Soft-Close Slide System, Product Depth 21-11/16"</b>						
RV5343-08-GR	RV5343-08-MP	4	2	8-1/2"	43-13/32"	50-3/4"
RV5343-10-GR	RV5343-10-MP	4	2	10-1/2"	43-13/32"	50-3/4"
RV5343-13-GR	RV5343-13-MP	4	2	13-1/2"	43-13/32"	50-3/4"
RV5343-16-GR	RV5343-16-MP	4	2	16-1/2"	43-13/32"	50-3/4"
RV5343-19-GR	RV5343-19-MP	4	2	19-1/2"	43-13/32"	50-3/4"
RV5350-08-GR	RV5350-08-MP	4	2	8-1/2"	50-3/4"	58-9/32"
RV5350-10-GR	RV5350-10-MP	4	2	10-1/2"	50-3/4"	58-9/32"
RV5350-13-GR	RV5350-13-MP	4	2	13-1/2"	50-3/4"	58-9/32"
RV5350-16-GR	RV5350-16-MP	4	2	16-1/2"	50-3/4"	58-9/32"
RV5350-19-GR	RV5350-19-MP	4	2	19-1/2"	50-3/4"	58-9/32"
RV5358-08-GR	RV5358-08-MP	5	3	8-1/2"	58-1/4"	65-3/4"
RV5358-10-GR	RV5358-10-MP	5	3	10-1/2"	58-1/4"	65-3/4"
RV5358-13-GR	RV5358-13-MP	5	3	13-1/2"	58-1/4"	65-3/4"
RV5358-16-GR	RV5358-16-MP	5	3	16-1/2"	58-1/4"	65-3/4"
RV5358-19-GR	RV5358-19-MP	5	3	19-1/2"	58-1/4"	65-3/4"
RV5373-08-GR	RV5373-08-MP	6	4	8-1/2"	73-5/8"	80-3/4"
RV5373-10-GR	RV5373-10-MP	6	4	10-1/2"	73-5/8"	80-3/4"
RV5373-13-GR	RV5373-13-MP	6	4	13-1/2"	73-5/8"	80-3/4"
RV5373-16-GR	RV5373-16-MP	6	4	16-1/2"	73-5/8"	80-3/4"
RV5373-19-GR	RV5373-19-MP	6	4	19-1/2"	73-5/8"	80-3/4"

A  
B  
C  
D  
E  
F  
G  
H  
I  
J  
K  
L  
M  
N  
O  
P  
Q  
R  
S  
T  
U  
V  
W  
X  
Y

A  
B  
C  
D  
E  
F  
G  
H  
I  
J  
K  
L  
M  
N  
O  
P  
Q  
R  
S  
T  
U  
V  
W  
X  
Y

## REV-A-SHELF PANTRY PULL-OUTS



### Pantry Pull-Outs w/Wire Shelves for Frameless Cabinets



- Rev-A-Shelf's 5700 Series
- Available in six widths and four height ranges for frameless 24" deep cabinets
- Full-extension slides with soft-close, 250 lbs. rated
- Micro-adjustment door mounting brackets
- Kit packaged with frame, baskets and hardware
- Ships by truck

Item #	# of Baskets	Door Mount Brackets	Minimum Cabinet Opening	Minimum Height	Maximum Height
<b>Pantry Pull-Out Series - Wire Shelves, 250 Lbs Full Extension w/Soft-Close Slide System, Product Depth 21-11/16"</b>					
RV5743-04CR	4	3	4-1/2"	43-13/32"	50-3/4"
RV5743-08CR	4	3	8-1/2"	43-13/32"	50-3/4"
RV5743-10CR	4	3	10-1/2"	43-13/32"	50-3/4"
RV5743-14-CR-1	4	3	14-7/8"	43-13/32"	50-3/4"
RV5743-16CR	4	3	16-1/2"	43-13/32"	50-3/4"
RV5743-20CR	4	3	20-1/2"	43-13/32"	50-3/4"
RV5750-04-CR-1	4	3	4-1/2"	50-3/4"	58-9/32"
RV5750-08-CR-1	4	3	8-1/2"	50-3/4"	58-9/32"
RV5750-10-CR-1	4	3	10-1/2"	50-3/4"	58-9/32"
RV5750-14-CR-1	4	3	14-7/8"	50-3/4"	58-9/32"
RV5750-16-CR-1	4	3	16-1/2"	50-3/4"	58-9/32"
RV5750-20-CR-1	4	3	20-1/2"	50-3/4"	58-9/32"
RV5758-04-CR-1	5	4	4-1/2"	58-1/4"	65-3/4"
RV5758-08-CR-1	5	4	8-1/2"	58-1/4"	65-3/4"
RV5758-10-CR-1	5	4	10-1/2"	58-1/4"	65-3/4"
RV5758-14-CR-1	5	4	14-7/8"	58-1/4"	65-3/4"
RV5758-16-CR-1	5	4	16-1/2"	58-1/4"	65-3/4"
RV5758-20CR	5	4	20-1/2"	58-1/4"	65-3/4"
RV5773-04CR	6	4	4-1/2"	73-5/8"	80-3/4"
RV5773-08-CR-1	6	4	8-1/2"	73-5/8"	80-3/4"
RV5773-10-CR-1	6	4	10-1/2"	73-5/8"	80-3/4"
RV5773-14CR	6	4	14-7/8"	73-5/8"	80-3/4"
RV5773-16-CR-1	6	4	16-1/2"	73-5/8"	80-3/4"
RV5773-20-CR-1	6	4	20-1/2"	73-5/8"	80-3/4"

**REV-A-SHELF PANTRY PULL-OUTS**



**Swing-Out Pantry Pull-Outs for Frameless Cabinets**

- Rev-A-Shelf's 5300-FOG Series
- Designed for frameless 18" and 24" width pantry cabinets
- Overall height 74"
- (2) door mounting brackets
- (5) easy-to-adjust shelves
- Solid bottom shelves with textured linen finish
- Swing out hardware allows complete access to pantry
- Orion gray finish and flat wire construction
- Carb II compliant
- Ships by truck



Orion Gray finish with flat wire construction

Item #	Dimensions	Cabinet Application
RV5374-18FL-FOG	14-1/4"W x 18-1/2"D x 74-1/16"H	For 18" Frameless Cabinet
RV5374-24FL-FOG	22-1/16"W x 18-1/2"D x 74-1/16"H	For 24" Frameless Cabinet



Two door mounting brackets positioned at top and bottom of pantry



A  
B  
C  
D  
E  
F  
G  
H  
I  
J  
K  
L  
M  
N  
O  
P  
Q  
R  
S  
T  
U  
V  
W  
X  
Y

**A REV-A-SHELF PANTRY PULL-OUTS**

B  
C  
D  
E  
F  
G  
H  
I  
J  
K  
L  
M  
N  
O  
P  
Q  
R  
S  
T  
U  
V  
W  
X  
Y



**Wood Swing Out Pantry**

- Designed for 36" pantry cabinets
- Adjustable interior door and pantry shelves
- Adjustable mounting brackets with 5" of adjustability (US Patent No: 7,204,569)
- Removable chrome accents
- Maple construction with semi-gloss finish
- Swings out on an industrial piano hinge
- Complete kit: (2) swing out units and (2) door storage units
- Center divider not included
- TSCA Title VI compliant



Minimum Height  
without top rails

RV4WP18-45-KIT  
45-3/4" Height

RV4WP18-51-KIT  
52" Height

RV4WP18-57-KIT  
57-3/4" Height



Minimum Height: RV4WBP18-25-KIT 25-3/4"H



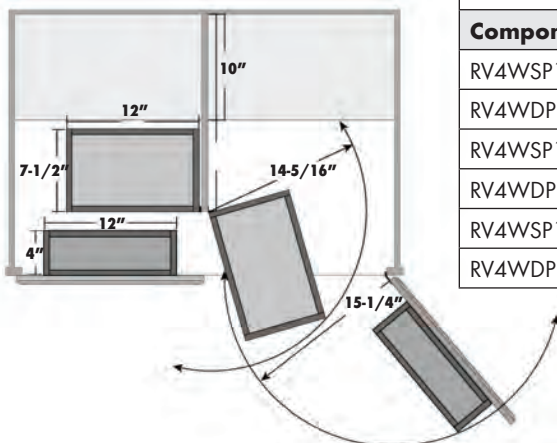
Chrome top rails can be installed to store items



Adjustable shelves

Item #	Description	Minimum Cabinet Opening
<b>Wood Swing Out Pantry Kits</b>		
RV4WP18-45-KIT	45" Swing Out Pantry Kit - Includes (2) 4WDP18-45 & (2) 4WSP18-45	33"
RV4WP18-51-KIT	51" Swing Out Pantry Kit - Includes (2) 4WSP18-51 & (2) 4WDP18-51	33"
RV4WP18-57-KIT	57" Swing Out Pantry Kit - Includes (2) 4WDP18-57 & (2) 4WSP18-57	33"

Item #	Description	Dimensions	Minimum Cabinet Opening
<b>Components</b>			
RV4WSP18-45	45" Swing Out Pantry (w/Hardware)	12"W x 7-1/2"D x 45"H	33"
RV4WDP18-45	45" Pantry Door Unit (w/Hardware)	12"W x 4"D x 45"H	15-1/4"
RV4WSP18-51	51" Swing Out Pantry (w/Hardware)	12"W x 7-1/2"D x 51-1/4"H	33"
RV4WDP18-51	51" Pantry Door Unit (w/Hardware)	12"W x 4"D x 51-1/4"H	15-1/4"
RV4WSP18-57	57" Swing Out Pantry (w/Hardware)	12"W x 7-1/2"D x 57"H	33"
RV4WDP18-57	57" Pantry Door Unit (w/Hardware)	12"W x 4"D x 57"H	15-1/4"



**REV-A-SHELF PANTRY PULL-OUTS**



**Wood D-Shaped Pantry Set**



- Designed for pantry/tall cabinet applications
- (5) wood D-Shaped shelves
- Natural maple construction with semi-gloss finish
- 5/8" thick high density multi-ply shelf
- 1" high solid wood rim
- Independent rotating hardware, chrome
- 56" - 62" telescoping post
- Mounts to cabinet ceiling and floor
- TSCA Title VI compliant

**Storage Trays (sold separately)**

- Available in 20" width trays
- Natural maple construction with semi-gloss finish and chrome accents
- Install on 26" or 58" standard with clips (sold separately)
- Mounts to cabinet door
- TSCA Title VI compliant

Item #	Dimensions	Description
<b>(5) Shelf Wood D-Shaped Pantry Set</b>		
RV4265-22	D-Shape Set	22" Diameter
<b>(5) Wood Door Storage Tray w/ Screw in Clips</b>		
RV4235-20	20" Door Storage Tray	19-3/4"W x 4-1/4"D x 3-5/8"H
<b>Standards w/ Clips</b>		
RV6232-58AM	Standards w/ (10) Clips	58"L



Close-up of wood shelves



A  
B  
C  
D  
E  
F  
G  
H  
I  
J  
K  
L  
M  
N  
O  
P  
Q  
R  
S  
T  
U  
V  
W  
X  
Y

**A REV-A-SHELF PANTRY PULL-OUTS**

B  
C  
D  
E  
F  
G  
H  
I  
J  
K  
L  
M  
N  
O  
P  
Q  
R  
S  
T  
U  
V  
W  
X  
Y



**Full Circle Lazy Susans,  
5-Shelf Sets**



- Includes (5) shelves
- Includes Telescoping Shaft 56" - 62"H

White Item #	Almond Item #	Description	Shelf
<b>5-Shelf Set, Plastic</b>			
RV6065-16-11	RV6065-16-15	Full Circle 5-Shelf Set	16" Dia.
RV6065-18-11	RV6065-18-15	Full Circle 5-Shelf Set	18" Dia.
RV6065-20-11	RV6065-20-15	Full Circle 5-Shelf Set	20" Dia.
RV6065-24-11	-	Full Circle 5-Shelf Set	24" Dia.
RV6065-32-11	-	Full Circle 5-Shelf Set	32" Dia.
<b>5-Door Storage Trays</b>			
RV6235-8WH	RV6235-08-15	5-Door Storage Trays	7-1/8"W
RV6235-14WH	RV6235-14-15	5-Door Storage Trays	13-3/4"W
<b>Hardware for 5-Door Storage Trays</b>			
RV6232-58AM	(2) Standards & (10) Clips		



**Chef's Roll-Out Pantry with  
Door Storage**



- Designed for 36" pantry applications
- (20) large interior chrome shelves
- (10) door mount shelves
- Door mount brackets
- Pivot sliding hardware allows full access to the back shelves

Item #	Description	Product Dimensions
RV5722-36CR	Chef's Roll-Out Pantry	30-3/4"W x 19-7/8"D x 49-1/4" - 52-1/4"H



**Above Appliance Pull-Out, 13"W**



- Fits 24" deep wall cabinetry
- Minimum cabinet opening width and height: 14-3/4"
- Reversible design; attaches to either side of cabinet
- Adjustable door mount brackets for perfect fit

Item #	Description	Product Dimensions
RV5708-15CR	Above Appliance Pull-Out	13"W x 19"D x 14-3/4"H

**REV-A-SHELF PANTRY PULL-OUTS**



**Pantry System Container Organizers**



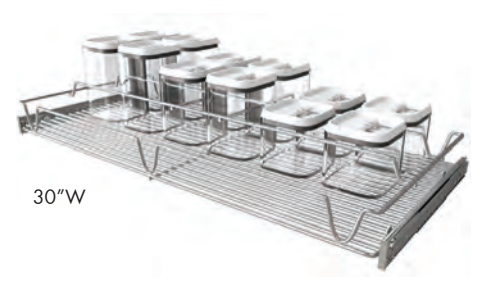
- Available in (3) widths, 18", 24" or 30"
- Fits 14"+ deep pantry panel systems
- Anodized Chrome Finish
- Full-extension, 75 lb. rated, ballbearing slides (included)
- BPA-free acrylic container set includes (1) 1.04 qt canister, (1) 1.55 qt canister, (1) 2.07 qt canister
- Container sets include: (1) small, (1) medium and (1) large bin:
  - 18" = (2) container sets
  - 24" = (3) container sets
  - 30" = (4) container sets
- Installs easily in 32 mm applications
- Additional containers (sold separately)
- 9" Recommended height between organizers, but they may be spaced more closely



18"W



24"W



30"W



Small



Medium



Large



Container Set

Item #	Dimensions	Description	Min. Cabinet Opening
RV5WCOR-18CR-1	18"W x 14"D x 8-11/32"H	Pantry Container Organizer w/(2) Container Sets	18"
RV5WCOR-24CR-1	24"W x 14"D x 8-11/32"H	Pantry Container Organizer w/(3) Container Sets	24"
RV5WCOR-30CR-1	30"W x 14"D x 8-11/32"H	Pantry Container Organizer w/(4) Container Sets	30"
Additional Containers			
RVCO-03S-1	3-15/16"W x 3-15/16"D x 3-27/32"H	Small Container, 1.04 Qt.	-
RVCO-05M-1	3-15/16"W x 3-15/16"D x 5-25/32"H	Medium Container, 1.55 Qt.	-
RVCO-07L-1	3-15/16"W x 3-15/16"D x 7-23/32"H	Large Container, 2.07 Qt.	-
RVCO-SET-1	3-15/16"W x 3-15/16"D x 7-23/32"H	Container Set: (1) Small, (1) Medium & (1) Large	-

A  
B  
C  
D  
E  
F  
G  
H  
I  
J  
K  
L  
M  
N  
O  
P  
Q  
R  
S  
T  
U  
V  
W  
X  
Y

**A REV-A-SHELF PANTRY PULL-OUTS**

B  
C  
D  
E  
F  
G  
H  
I  
J  
K  
L  
M  
N  
O  
P  
Q  
R  
S  
T  
U  
V  
W  
X  
Y



**Wine/Bottle Rack Pull-Out**



- Available in (3) widths, 18", 24" or 30"
- Fits 14"+ deep pantry panel systems
- Polished Chrome Finish
- Full-extension, 75 lb. rated, ball bearing slides (included)
- Rack holds items right reading, angled to face you
- Bottle capacity: 18" = (4), 24" = (6) and 30" = (7)
- Installs easily in 32 mm applications

Item #	Dimensions	Description	Minimum Cabinet Opening
RV5WBR-18CR	18"W x 14"D x 2-13/16"H	18" Wine/Bottle Rack	18"
RV5WBR-24CR	24"W x 14"D x 2-13/16"H	24" Wine/Bottle Rack	24"
RV5WBR-30CR	30"W x 14"D x 2-13/16"H	30" Wine/Bottle Rack	30"



**Spice/Can Rack Pull-Out**



- Available in (3) widths, 18", 24" or 30"
- Fits 14"+ deep pantry panel systems
- Polished Chrome Finish
- Full-extension, 75 lb. rated, ball bearing slides (included)
- Rack holds items right reading, angled to face you
- Spice bottle capacity: 18" = (16), 24" = (22) and 30" = (26)
- 10.75 oz. Can capacity: 18" = (8), 24" = (10) and 30" = (12)
- Installs easily in 32 mm applications

Item #	Dimensions	Description	Minimum Cabinet Opening
RV5WSCR-18CR	18"W x 14"D x 2-13/16"H	18" Spice/Can Rack	18"
RV5WSCR-24CR	24"W x 14"D x 2-13/16"H	24" Spice/Can Rack	24"
RV5WSCR-30CR	30"W x 14"D x 2-13/16"H	30" Spice/Can Rack	30"



**REV-A-SHELF DRAWER/SHELF PULL-OUTS**



**Pull-Out Wire Shelves w/Soft-Close**



- Designed for 15", 18", 24" and 36" base cabinets
- Chrome-plated round wire
- Full-extension, undermount slides with soft-close
- Adjustable mounting brackets

Item #	Description	Dimensions
RV5730-12CR	For Base 15"	11-1/2"W x 21-3/4"D x 5-3/16"H
RV5730-15CR	For Base 18"	14-1/2"W x 21-3/4"D x 5-3/16"H
RV5730-21CR	For Base 24"	20-1/2"W x 21-3/4"D x 5-3/16"H
RV5730-33CR	For Base 36"	32-1/2"W x 21-3/4"D x 5-3/16"H
Accessory		
RV5789CR	Drop In Cookware Organizer	14-1/16"W x 9-1/2"D x 7-11/16"H

A  
B  
C  
D  
E  
F  
G  
H  
I  
J  
K  
L  
M  
N  
O  
P  
Q  
R  
S  
T  
U  
V  
W  
X  
Y



**Woven Basket Pull-Outs w/Rails**



- (1) Machine washable canvas liner
- 6-screw installation
- Carb II compliant
- Designed for 15" and 18" base cabinets
- Mounts to cabinet side walls
- Trim-to-fit rails
- Includes: (1) Nylon Basket, (2) Wood Rails, & (1) Canvas Liner

Item #	Description	Designed For	Finish
RV4WV-15MP	Woven Basket Pull-Out w/Rails	Base 15"	Maple
RV4WV-15WN	Woven Basket Pull-Out w/Rails	Base 15"	Walnut
RV4WV-18MP	Woven Basket Pull-Out w/Rails	Base 18"	Maple
RV4WV-18WN	Woven Basket Pull-Out w/Rails	Base 18"	Walnut



RV4WV-15MP



RV4WV-15WN



RV4WV-18WN

**A REV-A-SHELF DRAWER/SHELF PULL-OUTS**



**Pilaster Drawer Pull-Out System - Kits**



- Rev-A-Shelf's 4PIL Series
- Designed to fit 18" and 24" Framed Base Cabinets
- 2-Drawer and 3-Drawer Kits are available
- Drawers equipped with BLUMOTION soft-close slides
- Stackable for use in a pantry applications
- Easily adjustable drawer height locations for storing tall and short items
- TSCA Title VI compliant
- 2-Drawer Kit Includes: (1) Tall Drawers w/Pegs & Metal Dividers, (1) Short Drawer, (4) Pilasters, & (12) Buttons
- 3-Drawer Kit Includes: (1) Tall Drawers w/Pegs & Metal Dividers, (2) Short Drawers, (4) Pilasters, & (12) Buttons

**Designed for 18" Framed Base Cabinet**



Item #	Description	Dimensions	Pilaster Finish	
A	RV4PIL-18SC-2	2-Drawer Kit	16-1/2"W x 22-1/16"D x 21-1/4"H	Brown
B	RV4PIL-18SC-SV-2	2-Drawer Kit	16-1/2"W x 22-1/16"D x 21-1/4"H	Silver
C	RV4PIL-18SC-3	3-Drawer Kit	16-1/2"W x 22-1/16"D x 23-3/4"H	Brown
D	RV4PIL-18SC-SV-3	3-Drawer Kit	16-1/2"W x 22-1/16"D x 23-3/4"H	Silver

**Designed for 24" Framed Base Cabinet**



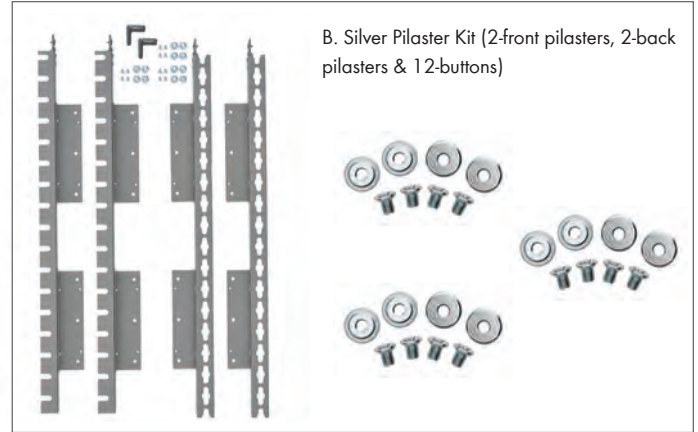
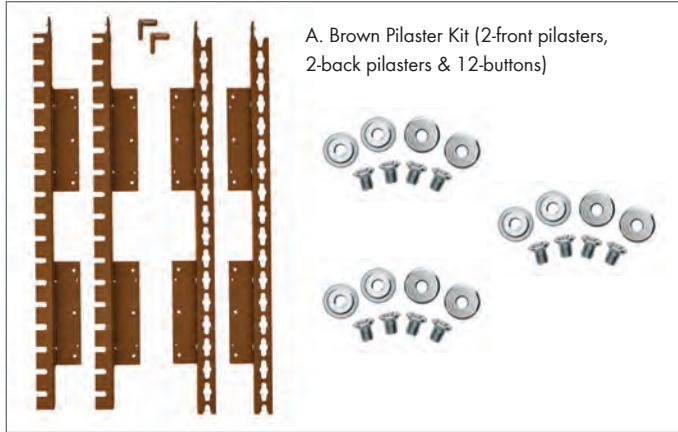
Item #	Description	Dimensions	Pilaster Finish	
A	RV4PIL-24SC-2	2-Drawer Kit	22-1/2"W x 22-1/16"D x 21-1/4"H	Brown
B	RV4PIL-24SC-SV-2	2-Drawer Kit	22-1/2"W x 22-1/16"D x 21-1/4"H	Silver
C	RV4PIL-24SC-3	3-Drawer Kit	22-1/2"W x 22-1/16"D x 23-3/4"H	Brown
D	RV4PIL-24SC-SV-3	3-Drawer Kit	22-1/2"W x 22-1/16"D x 23-3/4"H	Silver

## REV-A-SHELF DRAWER/SHELF PULL-OUTS

### Pilaster Drawer Pull-Out System - Individual Parts



- Rev-A-Shelf's 4PIL Series
- Components to order: Pilaster Kit & Drawers
- Wood Drawers are equipped with Blumotion Soft-Close Slides
- 7"H Drawers feature peg board bottoms, pegs, and metal dividers
- Pilaster uprights are available in brown and silver finishes
- Designed to fit 18" and 24" Framed Base Cabinets



	Item #	Dimensions	Pilaster Finish	Sold In
A	RV4PIL-21-10	1"W x 1"D x 21-1/4"H	Brown	10 Sets/Box
B	RV4PIL-21-SV-10	1"W x 1"D x 21-1/4"H	Silver	10 Sets/Box

### Drawers with BLUMOTION Soft-Close Slides



	Item #	Dimensions	Cabinet Type	Sold In
C	RV4WDB4-PIL-18SC	13-3/8"W x 21"D x 4"H	Base, 18" Framed	Per Each
D	RV4WDB7-PIL-18SC	13-3/8"W x 21"D x 7"H	Base, 18" Framed	Per Each
E	RV4WDB4-PIL-24SC	19-3/8"W x 21"D x 4"H	Base, 24" Framed	Per Each
F	RV4WDB7-PIL-24SC	19-3/8"W x 21"D x 7"H	Base, 24" Framed	Per Each

### Accessory

Button Kit, (4) Buttons, used to attached the pilaster to the slide



Item #	Description	Sold In
RV4PIL-BUTTON-12	Button Kit (Extra Buttons to add extra drawers)	12 Kits/Box

**A REV-A-SHELF DRAWER/SHELF PULL-OUTS**

B  
C  
D  
E  
F  
G  
H  
I  
J  
K  
L  
M  
N  
O  
P  
Q  
R  
S  
T  
U  
V  
W  
X  
Y



Premier Pull-Out Shelves

**Premier Pull-Out Shelves - Solid Bottom for Framed Cabinets**



- Rev-A-Shelf's 5330 Series
- Designed to fit 15", 18", 24", and 36" framed base cabinets
- Full-extension slides with BLUMOTION soft-close
- Side and bottom mounting brackets
- Door mounting brackets included
- TSCA Title VI compliant



Solid bottom shelves in Maple or Gray



Door mount brackets included

Gray Basket Item #	Maple Basket Item #	Dimensions	Cabinet Application
<b>Premier Pull-Out Shelves w/Blum Soft-Close and Solid Basket Bottoms</b>			
RV5330-12BCSC-GR	RV5330-12BCSC-MP	11-11/16"W x 21-17/32"D x 5-5/8"H	For 15" Cabinet
RV5330-15BCSC-GR	RV5330-15BCSC-MP	14-11/16"W x 21-17/32"D x 5-5/8"H	For 18" Cabinet
RV5330-21BCSC-GR	RV5330-21BCSC-MP	20-11/16"W x 21-17/32"D x 5-5/8"H	For 24" Cabinet
RV5330-33BCSC-GR	RV5330-33BCSC-MP	32-11/16"W x 21-17/32"D x 5-5/8"H	For 36" Cabinet



**Premier Pull-Out Shelves - Solid Bottom for Frameless Cabinets**



- Rev-A-Shelf's 5330 Series
- Designed to fit 36" frameless base cabinets
- Full-extension slides with BLUMOTION soft-close
- Side and bottom mounting brackets
- Door mounting brackets included
- TSCA Title VI compliant

Item #	Description	Dimensions
<b>5330 Series Pull-Out Shelf w/BLUMOTION Soft-Close</b>		
RV5330-33BCSCFLFOG	Orion Gray Pull-Out Shelf w/Soft-Close, for 36" Base Cabinet	32-11/16"W x 21-3/4"D x 5-1/16"H

## REV-A-SHELF DRAWER/SHELF PULL-OUTS



### Drawer Pull-Outs w/3/4 Extension Soft-Close



- Designed for 12", 15", 18" and 21" base cabinets
- 12" available in two depths, 18" and 22"
- Natural maple dovetail construction with semi-gloss finish
- 3/4 extension, 33 lb. rated slides with soft-close
- Mounts to cabinet floor
- TSCA Title VI compliant

Item #	Dimensions	Description	Cabinet Type / Size
RV4WDB-1218SC-1	11"W x 18-3/8"D x 5-21/32"H	Drawer Pull-Out	Framed, 15"
RV4WDB-1222SC-1	11"W x 22-3/8"D x 5-21/32"H	Drawer Pull-Out	Framed, 15"
RV4WDB-1522SC-1	14"W x 22-3/8"D x 5-21/32"H	Drawer Pull-Out	Framed, 18"
RV4WDB-1822SC-1	17"W x 22-3/8"D x 5-21/32"H	Drawer Pull-Out	Framed, 21"
RV4WDB-2122SC-1	20"W x 22-3/8"D x 5-21/32"H	Drawer Pull-Out	Framed, 24"



Wood Drawer



3/4 extension soft-close slide

### Wood Drawer Pull-Outs



- Rev-A-Shelf's 4WDB Series
- Designed for 18" and 24" base cabinets
- Features dovetail constructed veneer plywood
- 8"H Drawers come with pegs and dividers



A



B



C



D

Item #	Dimensions	Description	
<b>Wood Drawer Pull-Outs, Blum Soft-Close Slides, 100 lb. Weight Rating, Full Extension</b>			
A	RV4WDB4-18SC	14"W x 21-5/8"D x 4-7/8"H	Pull-Out Drawer w/Blum Soft-Close, for 18" Base Cabinet
B	RV4WDB7-18SC	14"W x 21-5/8"D x 8"H	Pull-Out Drawer w/Blum Soft-Close, for 18" Base Cabinet, includes pegs and dividers
C	RV4WDB4-24SC	20"W x 21-5/8"D x 4-7/8"H	Pull-Out Drawer w/Blum Soft-Close, for 24" Base Cabinet
D	RV4WDB7-24SC	20"W x 21-5/8"D x 8"H	Pull-Out Drawer w/Blum Soft-Close, for 24" Base Cabinet, includes pegs and dividers

**A REV-A-SHELF DRAWER / SHELF PULL-OUTS**

B  
C  
D  
E  
F  
G  
H  
I  
J  
K  
L  
M  
N  
O  
P  
Q  
R  
S  
T  
U  
V  
W  
X  
Y



**Two-Tier Cookware Organizer**



- Designed for 18" and 24" base cabinets
- Natural maple dovetail construction with semi-gloss finish
- Full-extension with 3/4" overtravel, undermount, 110 lb. rated slides with BLUM MOVENTO soft-close
- Up to 220 pre-drilled peg holes (4) matching, press-in pegs
- Top shelf holds lids w/ (1 w/18") or (2 w/24") lid organizers
- Mounts to cabinet floor
- TSCA Title VI compliant

Item #	Dimensions	Description
RV4CW2-18SC-1	14-1/2"W x 22-1/4"D x 18-7/8"H	For 18" Base Cabinet
RV4CW2-24SC-1	20-1/2"W x 22-1/4"D x 18-7/8"H	For 24" Base Cabinet



**Wood Food Storage Container Organizer Pull-Outs**



- Rev-A-Shelf's 4FSCO Series
- Offered w/Blum Soft-Close
- Designed for 18" and 24" base cabinets
- Features sturdy dovetail construction
- Includes 7 "U" Pegs for customization
- Adjustable clip-on dividers (5 with 18") and (7 with 24")

A

B

Item #	Dimensions	Description
<b>Food Storage Container Organizers, Blum Soft-Close, Full Extension Slide</b>		
A RV4FSCO-18SC	14-1/2"W x 22-1/4"D x 18-7/8"H	For 18" Base Cabinet
B RV4FSCO-24SC	20-1/2"W x 22-1/4"D x 18-7/8"H	For 24" Base Cabinet

**REV-A-SHELF DRAWER/SHELF PULL-OUTS**

A  
B  
C  
D  
E  
F  
G  
H  
I  
J  
K  
L  
M  
N  
O  
P  
Q  
R  
S  
T  
U  
V  
W  
X  
Y



**Two-Tier Pull-Out Cookware Organizers**



- Rev-A-Shelf's 5CW2 Series
- Offered in Standard-Close and Soft-Close Slides
- Designed for 15" and 24" base cabinets
- Features independently operating shelves that accommodate a variety of cookware sizes and brands
- Top-tier organizes lids
- Bottom-tier features adjustable dividers to store a variety of larger pots and pans
- Made with a heavy-duty chrome plated wire frame
- Bottom, side, and rear mounts
- Includes: (2) U-Brackets, (2) Back Mounting Brackets (attach to slides)

Item #	Dimensions	Minimum Opening
<b>Two-Tier Cookware Organizer, Full Extension Ball Bearing Slides w/ Standard-Close, 100 lb. Weight Rating</b>		
RV5CW2-1222CR	11-3/4"W x 22"D x 18"H	12"
RV5CW2-2122-CR	20-3/4"W x 22"D x 18-1/8"H	21"
<b>Two-Tier Cookware Organizer, Full Extension Ball Bearing Slides w/ Soft-Close, 100 lb. Weight Rating</b>		
RV5CW2-1222SC-CR	11-3/4"W x 22"D x 18"H	12"
RV5CW2-2122SC-CR	20-3/4"W x 22"D x 18-1/8"H	21"
<b>Door Mount Kit</b>		
RVDM17-KIT	Door Mount Kit	



**Two-Tier Pull-Out Shelves**



- Rev-A-Shelf's 5WB Series
- Offered in Standard-Close
- Heavy-Duty Chrome plated baskets
- Telescoping rear mounting bracket
- Features U-Shaped support bracket
- Includes: (2) Wire Shelves, (2) U-Brackets and (1) Adjustable Rear Mounting Bracket

Item #	Dimensions	Minimum Opening
<b>Two-Tier Pull-Out Shelves, Full Extension Ball Bearing Slides w/ Standard-Close, 100 lb. Weight Rating</b>		
RV5WB2-0918CH	8-3/4"W x 18-1/2"D x 19"H	8-1/2"
RV5WB2-1218CH	11-3/4"W x 18-1/2"D x 19"H	11-1/2"
RV5WB2-1222CH	11-3/4"W x 22-1/4"D x 19"H	11-1/2"
RV5WB2-1522CH	14-3/4"W x 22-1/4"D x 19"H	14-1/2"
RV5WB2-1822CH	17-3/4"W x 22-1/4"D x 19"H	17-1/2"
RV5WB2-2122CH	20-3/4"W x 22-1/4"D x 19"H	20-1/2"
<b>Door Mount Kit</b>		
RV5WB-DMKIT	Door Mount Kit	



Door Mount Kit

**A REV-A-SHELF DRAWER / SHELF PULL-OUTS**

B  
C  
D  
E  
F  
G  
H  
I  
J  
K  
L  
M  
N  
O  
P  
Q  
R  
S  
T  
U  
V  
W  
X  
Y



**Single Shelf Pull-Outs**



- Designed for 12", 15", 18", 21" and 24" base cabinets
- Chrome-plated round wire frame ideal for organizing bulky items
- Full-extension, ball bearing slides available in 18", 20" and 22" depths
- Easy 4-screw installation
- Door mount brackets available (sold separately)

Item #	Dimensions	Minimum Opening
<b>Two-Tier Pull-Out Shelves, Full Extension Ball Bearing Slides w/Standard-Close, 100 lb. Weight Rating</b>		
RV5WB1-0918CH	8-1/2"W x 18"D x 5-9/16"H	8-1/2"
RV5WB1-1218CH	11-1/2"W x 18"D x 5-9/16"H	11-1/2"
RV5WB1-1220-CR	11-1/2"W x 19-3/4"D x 5-9/16"H	11-1/2"
RV5WB1-1520CH	14-1/2"W x 19-3/4"D x 5-9/16"H	14-1/2"
RV5WB1-1222CH	11-1/2"W x 22"D x 5-9/16"H	11-1/2"
RV5WB1-1522CH	14-1/2"W x 22"D x 5-9/16"H	14-1/2"
RV5WB1-1822CH	17-1/2"W x 22"D x 5-9/16"H	17-1/2"
RV5WB1-2122CH	20-1/2"W x 22"D x 5-9/16"H	20-1/2"
<b>Door Mount Kit</b>		
RVDM17-KIT	Door Mount Kit	





## REV-A-SHELF GLIDEWARE

### Glideware Maple Pull-Outs with Soft-Close



Available in 5 & 7 Hooks



Item #	Description	Dimensions
<b>Glideware Pull-Outs w/BLUMOTION Soft-Close - Maple Finish</b>		
RVGLDW14-BC-5	5-Hooks, 14"D	6"W x 14"D x 5-1/16"H
RVGLDW16-BC-5	5-Hooks, 16-3/4"D	6"W x 16-3/4"D x 5-1/16"H
RVGLDW22-BC-7	7-Hooks, 22-3/4"D	6"W x 22-3/4"D x 5-1/16"H

### Glideware Gray Pull-Outs with Soft-Close



Available in 7 Hooks



Item #	Description	Dimensions
<b>Glideware Pull-Outs w/BLUMOTION Soft-Close - Gray Finish</b>		
RVGLDW22-BG-7	7-Hooks, 22-3/4"D	6"W x 22-3/4"D x 5-1/16"H

### Glideware Outdoor Pull-Out w/Stainless Steel Slides



Available in 5 Hooks



Item #	Description	Dimensions
<b>Glideware Outdoor Pull-Out w/Stainless Steel Slides - White Finish</b>		
RVGLDP22-SSW-5	5-Hooks, 22-3/4"D	4-1/4"W x 22-3/4"D x 5-1/8"H

**A REV-A-SHELF GLIDWARE**

B  
C  
D  
E  
F  
G  
H  
I  
J  
K  
L  
M  
N  
O  
P  
Q  
R  
S  
T  
U  
V  
W  
X  
Y

**Glideware Maple Pull-Outs with Soft-Close**



Available in 5 & 7 Hooks



Item #	Description	Dimensions
<b>Glideware Pull-Outs w/BLUMOTION Soft-Close - Maple Finish</b>		
RVGLD-W14-SC-5	5-Hooks, 14-3/4"D	4"W x 14-3/4"D x 4-1/8"H
RVGLDW22-SC-7	7-Hooks, 22-3/4"D	4"W x 22-3/4"D x 4-1/8"H

**Glideware Accessories - Hooks**



Other finish options available via Special Order:



Item #	Description	Dimensions
<b>Glideware Replacement - Extra Hooks, Zinc Finish</b>		
RVGLDHK-S-ZC-7	Glideware Short Hook	1"W x 1-1/2"W x 3-1/8"H
RVGLDHK-L-ZC-7	Glideware Long Hook	1"W x 1-1/2"W x 4"H

**REV-A-SHELF BLIND CORNER PULL-OUTS**



1 Shelf Cloud



2 Shelf Cloud

**The Cloud,  
Blind Corner  
Pull-Out**



- The Cloud has a "Standard-Close" action for the shelves
- All of The Cloud products can be modified to have Soft-Close shelves, Soft-Close Kits are sold separately (see below)

Item #	Description	For Cabinet Opening	Shelf Finish	Product Dimensions
<b>1 Shelf Clouds - Standard Close</b>				
RV5371-15-MP-R	For Right Door/Blind Left	15"	Maple	33"W x 21-7/8"D x 6-1/2"H
RV5371-15-MP-L	For Left Door/Blind Right	15"	Maple	33"W x 21-7/8"D x 6-1/2"H
RV5371-15-GR-R	For Right Door/Blind Left	15"	Grey	33"W x 21-7/8"D x 6-1/2"H
RV5371-15-GR-L	For Left Door/Blind Right	15"	Grey	33"W x 21-7/8"D x 6-1/2"H
RV5371-18-MP-R	For Right Door/Blind Left	18"	Maple	37-5/8"W x 21-9/16"D x 6-1/2"H
RV5371-18-MP-L	For Left Door/Blind Right	18"	Maple	37-5/8"W x 21-9/16"D x 6-1/2"H
RV5371-18-GR-R	For Right Door/Blind Left	18"	Grey	37-5/8"W x 21-9/16"D x 6-1/2"H
RV5371-18-GR-L	For Left Door/Blind Right	18"	Grey	37-5/8"W x 21-9/16"D x 6-1/2"H
RV5371-21-MP-R	For Right Door/Blind Left	21"	Maple	39"W x 21-3/4"D x 6-1/2"H
RV5371-21-MP-L	For Left Door/Blind Right	21"	Maple	39"W x 21-3/4"D x 6-1/2"H
RV5371-21-GR-R	For Right Door/Blind Left	21"	Grey	39"W x 21-3/4"D x 6-1/2"H
RV5371-21-GR-L	For Left Door/Blind Right	21"	Grey	39"W x 21-3/4"D x 6-1/2"H
RV5371-SC-KIT	1-Shelf Soft-Close Kit			
<b>2 Shelf Clouds - Standard Close</b>				
RV5372-15-MP-R	For Right Door/Blind Left	15"	Maple	33"W x 21-7/8"D x 24-7/16" - 30-1/4"H
RV5372-15-MP-L	For Left Door/Blind Right	15"	Maple	33"W x 21-7/8"D x 24-7/16" - 30-1/4"H
RV5372-15-GR-R	For Right Door/Blind Left	15"	Grey	33"W x 21-7/8"D x 24-7/16" - 30-1/4"H
RV5372-15-GR-L	For Left Door/Blind Right	15"	Grey	33"W x 21-7/8"D x 24-7/16" - 30-1/4"H
RV5372-18-MP-R	For Right Door/Blind Left	18"	Maple	37-5/8"W x 21-9/16"D x 24-7/16" - 30-1/4"H
RV5372-18-MP-L	For Left Door/Blind Right	18"	Maple	37-5/8"W x 21-9/16"D x 24-7/16" - 30-1/4"H
RV5372-18-GR-R	For Right Door/Blind Left	18"	Grey	37-5/8"W x 21-9/16"D x 24-7/16" - 30-1/4"H
RV5372-18-GR-L	For Left Door/Blind Right	18"	Grey	37-5/8"W x 21-9/16"D x 24-7/16" - 30-1/4"H
RV5372-21-MP-R	For Right Door/Blind Left	21"	Maple	39"W x 21-3/4"D x 24-7/16" - 30-1/4"H
RV5372-21-MP-L	For Left Door/Blind Right	21"	Maple	39"W x 21-3/4"D x 24-7/16" - 30-1/4"H
RV5372-21-GR-R	For Right Door/Blind Left	21"	Grey	39"W x 21-3/4"D x 24-7/16" - 30-1/4"H
RV5372-21-GR-L	For Left Door/Blind Right	21"	Grey	39"W x 21-3/4"D x 24-7/16" - 30-1/4"H
RV5372-SC-KIT	2-Shelf Soft-Close Kit			

A  
B  
C  
D  
E  
F  
G  
H  
I  
J  
K  
L  
M  
N  
O  
P  
Q  
R  
S  
T  
U  
V  
W  
X  
Y

A  
B  
C  
D  
E  
F  
G  
H  
I  
J  
K  
L  
M  
N  
O  
P  
Q  
R  
S  
T  
U  
V  
W  
X  
Y

## REV-A-SHELF BLIND CORNER PULL-OUTS

### The Cloud Orion Gray Blind Corner



- Rev-A-Shelf's 5370-XX-FOG Series
- Designed for 15", 18", and 21" blind corner cabinet openings
- Single and double full depth solid bottom shelves, orion gray
- Flat wire accents and textured linen finish
- Bottom Mount, smooth glide track system
- Available for left or right hand applications
- 45 lb. capacity per shelf
- Soft-close slides kit available (sold separately)
- TSCA Title VI compliant



1-Shelf Cloud



2-Shelf Cloud

Item #	Description	Dimensions	For Cabinet Opening	Cabinet Application
<b>1-Shelf Clouds with Orion Gray Finish</b>				
RV5371-15-FOG-R	Right Hand, Standard Close	33"W x 21-7/8"D x 6-1/2"H	15"	For Right Door / Blind Left Cab.
RV5371-15-FOG-L	Left Hand, Standard Close	33"W x 21-7/8"D x 6-1/2"H	15"	For Left Door / Blind Right Cab.
RV5371-18-FOG-R	Right Hand, Standard Close	37-5/8"W x 21-9/16"D x 6-1/2"H	18"	For Right Door / Blind Left Cab.
RV5371-18-FOG-L	Left Hand, Standard Close	37-5/8"W x 21-9/16"D x 6-1/2"H	18"	For Left Door / Blind Right Cab.
RV5371-21-FOG-R	Right Hand, Standard Close	39"W x 21-3/4"D x 6-1/2"H	21"	For Right Door / Blind Left Cab.
RV5371-21-FOG-L	Left Hand, Standard Close	39"W x 21-3/4"D x 6-1/2"H	21"	For Left Door / Blind Right Cab.
RV5371-SC-KIT	Soft-Close Kit			
<b>2-Shelf Clouds with Orion Gray Finish</b>				
RV5372-15-FOG-R	Right Hand, Standard Close	33"W x 21-7/8"D x 24-1/2" - 30-1/4"H	15"	For Right Door / Blind Left Cab.
RV5372-15-FOG-L	Left Hand, Standard Close	33"W x 21-7/8"D x 24-1/2" - 30-1/4"H	15"	For Left Door / Blind Right Cab.
RV5372-18-FOG-R	Right Hand, Standard Close	37-5/8"W x 21-9/16"D x 24-1/2" - 30-1/4"H	18"	For Right Door / Blind Left Cab.
RV5372-18-FOG-L	Left Hand, Standard Close	37-5/8"W x 21-9/16"D x 24-1/2" - 30-1/4"H	18"	For Left Door / Blind Right Cab.
RV5372-21-FOG-R	Right Hand, Standard Close	39"W x 21-3/4"D x 24-1/2" - 30-1/4"H	21"	For Right Door / Blind Left Cab.
RV5372-21-FOG-L	Left Hand, Standard Close	39"W x 21-3/4"D x 24-1/2" - 30-1/4"H	21"	For Left Door / Blind Right Cab.
RV5372-SC-KIT	Soft-Close Kit			

**REV-A-SHELF BLIND CORNER PULL-OUTS**



**The Curve, Luxury Two-Tier Blind Corner**

- Rev-A-Shelf's 582 Series
- Available for left and right hand blind corners
- 775 sq. inches of surface area
- The shelves feature maple with Stylinox, an anti-skid transparent coating
- Individual door mountable shelves
- Features innovative roller coaster design and heavy-duty soft-closing slides
- Weight Capacity per shelf is 60 lbs.



Item #	Description	Product Dimensions	Minimum Cabinet Opening
RV582-18-LMP	Left Door Mount, Maple Shelf	36-5/8"W x 18-5/8"D x 24"H	18"W x 18-5/8"D x 22"H
RV582-18-RMP	Right Door Mount, Maple Shelf	36-5/8"W x 18-5/8"D x 24"H	18"W x 18-5/8"D x 22"H



**Maple Blind Corner**

- Rev-A-Shelf's 599 Series
- Designed for full height blind corner cabinet
- As you pull open the cabinet door the rear baskets automatically move into sight
- Each rear basket operates independently
- Shelves feature Styleinox and anti-skid transparent coating
- Features Soft-Close Slides



Item #	Description	Product Dimensions	Minimum Cabinet Opening
RV599-18-LMP	Blind Corner Pull-Out, Left Door Mount, Maple Shelf	34"W x 19-3/4"D x 27"H	17-3/4"W x 19-3/4"D x 26-5/8"H
RV599-18-RMP	Blind Corner Pull-Out, Right Door Mount, Maple Shelf	34"W x 19-3/4"D x 27"H	17-3/4"W x 19-3/4"D x 26-5/8"H

**A REV-A-SHELF BLIND CORNER PULL-OUTS**

**B Walnut Two-Tier Door Mount Blind Corner Pull-Out**



- Rev-A-Shelf's 499 Series
- Designed for 18" blind corner cabinet openings
- Two-tier frame, orion gray
- (4) drawers, walnut dovetail construction with satin finish
- Full-extension, TANDEM, 110 lb. rated slides with BLUMOTION soft-close
- Mounts to cabinet floor and side wall
- Left or right handed options
- 20 lb. capacity per shelf
- Patented door mount brackets with micro-adjustment
- Carb II compliant



A Left Door Mount



B Right Door Mount

Item #	Description	Dimensions
<b>Door Mount Two-Tier Solid Bottom Walnut Blind Corner Organizer w/BLUMOTION Soft-Close</b>		
A RV499-18-LWN	Left Door Mount Organizer for 18" Blind Right Corner Cabinets	33-3/16"W x 21-13/16"D x 26"H
B RV499-18-RWN	Right Door Mount Organizer for 18" Blind Left Corner Cabinets	33-3/16"W x 21-13/16"D x 26"H

**Q Optimizers - Two-Tier Blind Corner Pull-Out Solid Shelf Bottom, Orion Gray**



Item #	Description	Size
RV53PSP-15SC-FOG	2-Tiered Solid Bottom Orion Gray Blind Corner Optimizer (Unhanded), 15" Min. Cabinet Opening	26.25"W x 20.25"D x 21"H
RV53PSP-18SC-FOG	2-Tiered Solid Bottom Orion Gray Blind Corner Optimizer (Unhanded), 18" Min. Cabinet Opening	32.25"W x 20.25"D x 21"H

## REV-A-SHELF BLIND CORNER PULL-OUTS



Gray Blind Corner Pull-Out



Maple Blind Corner Pull-Out

### Optimizers - Two-Tier Blind Corner Pull-Out Solid Shelf Bottom



- Rev-A-Shelf's 53PSP Series
- Designed for 15" and 18" blind corner cabinet openings
- Full-extension, ball bearing, 100 lb. rated soft-close slides
- Two-solid bottom shelves, gray or maple
- Chrome wire accents
- Universal mounting, non-handed
- 27 lb. capacity for 15" and 34 lb. for the 18" per shelf
- Mounts to cabinet floor
- TSCA Title VI compliant

Item #	Shelf Finish	Dimensions	Cabinet Application
<b>53PSP Series Two Tier Blind Corner Pull-Outs</b>			
RV53PSP-15SC-GR	Gray	26-1/4"W x 20-1/4"D x 21"H	For 15" Opening
RV53PSP-15SC-MP	Maple	26-1/4"W x 20-1/4"D x 21"H	For 15" Opening
RV53PSP-18SC-GR	Gray	32-1/4"W x 20-1/4"D x 21"H	For 18" Opening
RV53PSP-18SC-MP	Maple	32-1/4"W x 20-1/4"D x 21"H	For 18" Opening



### Optimizers - Three-Tier Blind Corner Pull-Out Solid Shelf Bottom



- Rev-A-Shelf's 53PSP3 Series
- Designed for 15" and 18" blind corner cabinet openings
- Full-extension, ball bearing, 100 lb. rated soft-close slides
- Three-solid bottom shelves, gray or maple
- Chrome wire accents
- Universal mounting, non-handed
- 27 lb. capacity for 15" and 34 lb. for the 18" per shelf
- Mounts to cabinet floor
- TSCA Title VI compliant

All six baskets can be pulled out of the cabinet for easy access



Item #	Shelf Finish	Dimensions	Cabinet Application
<b>3-Tier Solid Bottom Soft-Close Blind Corner Optimizer - Non Handed</b>			
RV53PSP3-15SC-GR	Gray	26-1/4"W x 20-1/4"D x 24"H	For 15" Opening
RV53PSP3-15SC-MP	Maple	26-1/4"W x 20-1/4"D x 24"H	For 15" Opening
RV53PSP3-18SC-GR	Gray	32-1/4"W x 20-1/4"D x 24"H	For 18" Opening
RV53PSP3-18SC-MP	Maple	32-1/4"W x 20-1/4"D x 24"H	For 18" Opening

A  
B  
C  
D  
E  
F  
G  
H  
I  
J  
K  
L  
M  
N  
O  
P  
Q  
R  
S  
T  
U  
V  
W  
X  
Y

## REV-A-SHELF BLIND CORNER PULL-OUTS



### Optimizers - Two-Tier Blind Corner Pull-Out - Wire Shelves



- Rev-A-Shelf's 5PSP Series
- Designed for 15" and 18" blind corner cabinet openings
- Full-extension, ball bearing, 100 lb. rated slides
- Soft-close available (2-units w/soft-close & 2-units without soft-close)
- Two-tier chrome wire bottom shelves
- Chrome wire accents
- Universal mounting, non-handed
- Includes: Frame with (4) chrome baskets, slides, and hardware
- First set of shelves slide out and over, providing easy access to rear shelves
- 15 lb. capacity per shelf

Item #	Shelf Finish	Dimensions	Cabinet Application
<b>Two-Tier Blind Corner Optimizer, Unhanded, 100 lb. Full Extension Ball Bearing Slides with Standard-Close</b>			
RV5PSP-15CR	Chrome	26-1/4"W x 20-1/4"D x 21"H	15" Opening
RV5PSP-18CR	Chrome	32-1/4"W x 20-1/4"D x 21"H	18" Opening
<b>Two-Tier Blind Corner Optimizer, Unhanded, 100 lb. Full Extension Ball Bearing Slides with Soft-Close</b>			
RV5PSP-15SC-CR	Chrome	26-1/4"W x 20-1/4"D x 21"H	15" Opening
RV5PSP-18SC-CR	Chrome	32-1/4"W x 20-1/4"D x 21"H	18" Opening



### Optimizers - Three-Tier Blind Corner Pull-Out - Wire Shelves



- Rev-A-Shelf's 5PSP3 Series
- Designed for 15" and 18" blind corner cabinet openings
- Full-extension, ball bearing, 100 lb. rated slides w/soft-close
- Three-tier chrome wire bottom shelves
- Chrome wire accents
- Universal mounting, non-handed
- Includes: Frame with (6) chrome baskets, slides, and hardware
- First set of shelves slide out and over, providing easy access to rear shelves
- 15 lb. capacity per shelf



Item #	Shelf Finish	Dimensions	Cabinet Application
<b>Three-Tier Blind Corner Optimizer, Unhanded, 100 lb. Full Extension Ball Bearing Slides with Soft-Close</b>			
RV5PSP3-15SC	Chrome	26-1/4"W x 20-1/4"D x 24"H	15" Opening
RV5PSP3-18SC	Chrome	32-1/4"W x 20-1/4"D x 24"H	18" Opening



## REV-A-SHELF BLIND CORNER PULL-OUTS

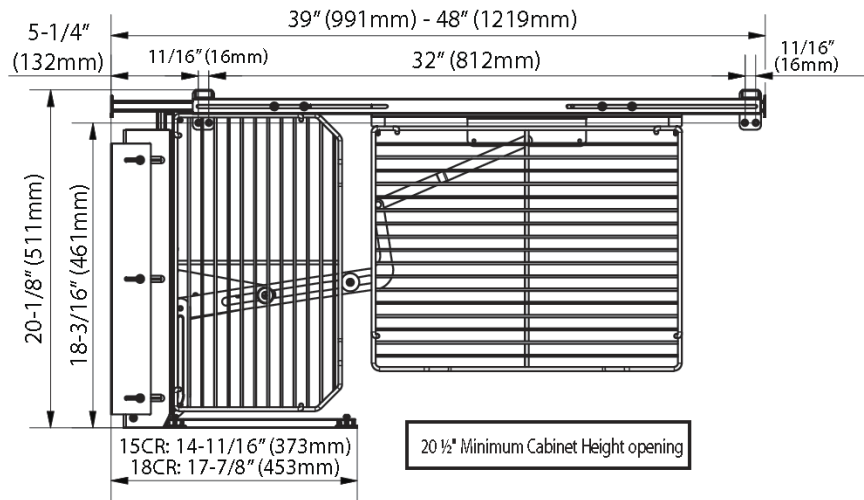


### Blind Corner Pull-Out, Two Tier-Wire Bottom



- Designed for 15" and 18" blind corner cabinet openings
- Two-tier chrome wire bottom shelves
- Chrome wire accents
- Soft-close slides
- Rear shelves slide forward as cabinet door opens
- Universal door mounting hardware
- Front shelves feature 23 lb. capacity and rear shelves feature 36 lb. capacity per shelf
- Door tilt adjustment screws for precise alignment
- 20-1/2" Minimum Cabinet Height opening

Item #	Description	Product Dimensions
RV5707-15CR	Blind Corner Organizer for 15" Opening	See below illustration
RV5707-18CR	Blind Corner Organizer for 18" Opening	See below illustration



### Removable Under Sink Caddy



- Rev-A-Shelf 544 Series premier pull out system for under sinks
- RV544 is a removable caddy and allows you to carry the entire pull out around the house
- The adjustable handle and reversible/removable top tray accommodates plumbing fixtures
- Easy installation by screwing the slide bracket to the base of the cabinet
- Full extension Euro style slides are rated at 75 lb. with Zinc finish
- Door mount brackets are not available



Item #	Dimensions	Finish
<b>Under Sink Pull-Outs, 3/4" Euro, Full Extension Slides</b>		
RV544-10C	11-1/4"W x 16-1/4"D x 19-1/2"H	Chrome

**A REV-A-SHELF UNDERSINK ORGANIZERS**

**Two-Tier Sink Base Organizer Pull-Out**


- Designed for 30" sink base cabinets
- Chrome-plated wire L-shaped frame
- Mounts to cabinet side walls
- Universal mounting, non-handed hardware
- Fits around plumbing

Item #	Dimensions	Designed For
RV548-10CR	9-3/4"W x 16"D x 18"H	30" Sink Base


**Cleaning Caddy Pull-Outs**


- Designed for 24" and larger sink base cabinets
- (2) 1 L spray bottles with removable storage rack
- Door mount kit available (sold separately)
- Full-extension, under mount, 75 lb. rated, concealed slides with soft-close
- Mounts to cabinet floor
- Single polyethylene removable container with handle

Item #	Description	Dimensions
RV5CC-915S-WH	Cleaning Caddy Pull-Out, White	9-1/4"W x 18-5/8"D x 18-1/2"H
RV5CC-915S-BK	Cleaning Caddy Pull-Out, Black	9-1/4"W x 18-5/8"D x 18-1/2"H
RV5CC-915S-OG	Cleaning Caddy Pull-Out, Orion Gray	9-1/4"W x 18-5/8"D x 18-1/2"H


**Door Mount Cleaning Caddy**


- Designed for 24" and larger sink base cabinets
- Single polyethylene removable container with handle
- Mounts to cabinet door

Item #	Description	Dimensions
RV5CCSO12-WH	Door Mount Cleaning Caddy, White	9-3/4"-13"W x 9-3/4"D x 8-1/4"H
RV5CCSO12-BK	Door Mount Cleaning Caddy, Black	9-3/4"-13"W x 9-3/4"D x 8-1/4"H
RV5CCSO12-OG	Door Mount Cleaning Caddy, Orion Gray	9-3/4"-13"W x 9-3/4"D x 8-1/4"H

**REV-A-SHELF UNDERSINK ORGANIZERS**



**U-Shaped Pull-Out Shelves, Solid Bottom**



- Designed for face frame or full access (frameless) 33" and 36" sink base cabinets
- Pullout shelves available in maple or gray solid bottoms
- Full-extension, 110 lb. rated, concealed slides with BLUMOTION soft-close
- Both side and bottom mounting brackets included
- Door mounting bracket
- TSCA Title VI compliant

Gray Basket Item #	Maple Basket Item #	Dimensions	Cabinet Application
<b>U-Shaped Pull-Out Shelves w/Blum Soft-Close and Solid Basket Bottoms</b>			
RV5386-30BCSC-GR	RV5386-30BCSC-MP	29-1/2" to 31-3/4"W x 22"D x 5-1/4"H	For 33" Cabinet
RV5386-33BCSC-GR	RV5386-33BCSC-MP	32-1/2" to 34-3/4"W x 22"D x 5-1/4"H	For 36" Cabinet



**U-Shaped Pull-Out Shelf with Soft-Close**



- Designed for 33" and 36" sink base cabinets
- Flat wire orion gray accents
- Shelves available in orion gray with textured linen finish
- Full-extension, 110 lb. rated, concealed slides with BLUMOTION soft-close
- Textured linen finish
- Mounts to cabinet side or floor
- TSCA Title VI compliant

Item #	Description	Dimensions
<b>RV5386 Series U-Shaped Pull-Out Shelves w/BLUMOTION Soft-Close</b>		
RV5386-30BCSCFLFOG	Orion Gray U-Shaped Pull-Out w/Soft-Close, for 33" Sink Base Cabinet	29-11/16" - 32"W x 21-17/32"D x 5-1/16"H
RV5386-33BCSCFLFOG	Orion Gray U-Shaped Pull-Out w/Soft-Close, for 36" Sink Base Cabinet	32-11/16" - 35"W x 21-17/32"D x 5-1/16"H

A  
B  
C  
D  
E  
F  
G  
H  
I  
J  
K  
L  
M  
N  
O  
P  
Q  
R  
S  
T  
U  
V  
W  
X  
Y

**A REV-A-SHELF UNDERSINK ORGANIZERS**



A

**Towel Bar Pull-Outs & Stationary Towel Holder**



- Rev-A-Shelf 563 Series standard towel bar pull outs for base cabinets
- RV563 Series designed with 2 or 3 prongs
- RV56347 has a 12" ball bearing extension and includes face frame spacers
- All RV563 Series include mounting screws
- All RV563 Series are universal and can be mounted on the right or left sides of the cabinet
- RV563 Series are available in white or chrome
- Slide bracket installs to the side of the cabinet



B



C

	Item #	Dimensions	Pull-Out Type	Slide Color/ Weight Rating	Finish
<b>2-Prong Pull-Out, Ball Bearing, Full Extension Slide</b>					
A	RV563-51CH	3-7/8"W x 12-7/8"D x 1-1/2"H	2-Prong Pull Out	Zinc/30 lb.	Chrome
<b>3-Prong Pull-Out, Ball Bearing, Full Extension Slide</b>					
B	RV56347CR	5"W x 17-3/4"D x 1-1/4"H	3-Prong Pull Out	Zinc/30 lb.	Chrome
	RV56347WH	5"W x 17-3/4"D x 1-1/4"H	3-Prong Pull Out	Zinc/30 lb.	White
<b>Stationary Towel Holders</b>					
C	RV563-32CH	12-3/4"W x 3-1/2"D x 6-1/2"H	Stationary Towel Holder	-	Chrome
	RV563-32	12-3/4"W x 3-1/2"D x 6-1/2"H	Stationary Towel Holder	-	White



**Stationary Metal Clip-Less Tray Dividers**



- Rev-A-Shelf Lazy Daisy Series standard clip-less tray dividers
- No fastening clips needed because the tray dividers are constructed with screw holes punched through the bottom of the frame of the divider
- Lazy Daisy Series tray dividers install with 4 screws
- 1/4"W x 20"D available in 12"H and 18"H

Single Pack Item #	Bulk Pack Item # (10 Per Pack)	Height	Finish
RVLD-597-12CR	RVLD-597-12CRB	12"H	Chrome
RVLD-597-18CR	RVLD-597-18CRB	18"H	Chrome

## REV-A-SHELF TRAY DIVIDERS & MIXER LIFTS



A

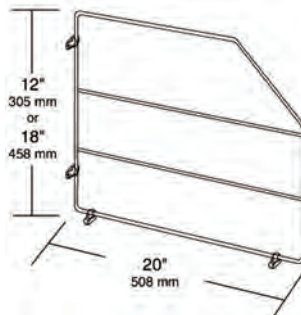


B

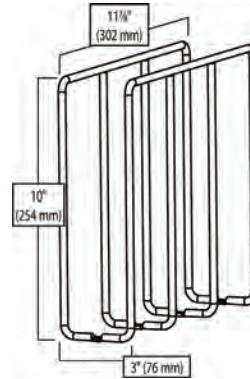
### Metal Stationary U-Shaped & Standard Tray Dividers



- Rev-A-Shelf 596 & 597 Series metal tray dividers
- Available in white or chrome finishes and heights of 10", 12" and 18"
- 596 Series dividers are "U-Shaped" and do not require clips to mount to base of cabinet, screws go through pre-made holes positioned at the bottom of the divider
- 597 Series single piece dividers mount using four screw-on clips per divider screws and clips are included



RV597-12CH or RV597-18CH



RV596-10CH

	Item #	Description	Dimensions	Finish	Sold In
A	RV597-12WHB	Tray Dividers With Clips	3/4"W x 20"D x 12"H	White	Per Each
	RV597-18WHB	Tray Dividers With Clips	3/4"W x 20"D x 18"H	White	Per Each
	RV597-12CH	Tray Dividers With Clips	3/4"W x 20"D x 12"H	Chrome	Per Each
	RV597-18CH	Tray Dividers With Clips	3/4"W x 20"D x 18"H	Chrome	Per Each
B	RV596-10CH	U-Shaped Tray Dividers	3"W x 11-7/8"D x 10"H	Chrome	Per Each



### Heavy Duty Base Cabinet Mixer Lift Hardware, No Shelf



- Fits all cabinet sizes
- Works with your custom shelf
- Mounts to cabinet side
- Adjustable spring tension
- Available with built-in shock dampeners
- Holds appliances up to 60 lbs.
- **No Shelf Included**



Item #	Description	Finish	Product Size			Min. Cabinet Opening Face Frame	Min. Cabinet Opening Frameless
			Min Width	Max Width	Dimensions		
RVML-HDCR	Standard-Close	Silver	12"	24"	22-1/2"D x 20-5/8"H	12"W x 23"D x 23-1/2"H	12-1/8"W x 23"D x 23-3/4"H
RVML-HDSC	Soft-Close	Silver	12"	24"	22-1/2"D x 20-5/8"H	12"W x 23"D x 23-1/2"H	12-1/8"W x 23"D x 23-3/4"H
RVML-HDSCOG	Soft-Close	Orion Gray	12"	24"	22-1/2"D x 20-5/8"H	12"W x 23"D x 23-1/2"H	12-1/8"W x 23"D x 23-3/4"H

A  
B  
C  
D  
E  
F  
G  
H  
I  
J  
K  
L  
M  
N  
O  
P  
Q  
R  
S  
T  
U  
V  
W  
X  
Y

**A REV-A-SHELF MIXER LIFTS**

B  
C  
D  
E  
F  
G  
H  
I  
J  
K  
L  
M  
N  
O  
P  
Q  
R  
S  
T  
U  
V  
W  
X  
Y



**Heavy Duty Base Cabinet Mixer Lift Kits**



- Silver Mixer Lift Kit:
  - Designed for 18" face frame base cabinets
  - Maple shelf
- Orion Gray Mixer Lift Kit:
  - Designed for 18" frameless base cabinets
  - Walnut shelf
- Mounts to cabinet side
- Adjustable spring tension
- Built-in shock dampeners
- Holds appliances up to 60 lbs.
- Includes: Mixer Lift Hardware & (1) Shelf
- Soft-Close
- **Shelf Included In Kit**



Mixer Lift w/Maple Shelf



Mixer Lift w/Walnut Shelf

Item #	Description	Hardware Finish	Designed for Base Cabinet	Shelf	Shelf Size
RVML-MPHDSCCR-18	Silver Mixer Lift w/Soft-Close	Silver	18" Face Frame	Maple	11-3/4"W x 20"D x 1-3/8"H
RVML-WNHDS COG-18FL	Orion Gray Mixer Lift w/Soft-Close	Orion Gray	18" Frameless	Walnut	13-1/4"W x 20"D x 1-3/8"H

**REV-A-SHELF DRIP TRAYS & TIP-OUT TRAYS**



**Plastic Drip Tray**



- Rev-A-Shelf's SBDT Series
- Designed to protect a sink cabinet from minor leaks
- Holds 1.75 quarts of water
- Available in Almond, Silver, and Orion Gray
- Designed to install into a new 36" sink base cabinet, but it can be cut down to fit a 33" cabinet
- Universal mounting, non-handed
- Note: recommended for new cabinetry

NOTE: Product may be difficult to install after sink and counter top are installed.

Almond Finish Item #	Orion Gray Finish Item #	Silver Finish Item #	Dimensions	Cabinet Application
RVSBDT-2730-A-1	RVSBDT-2730-OG	RVSBDT-2730-S-1	28.5"W x 23.25"D x .75"H	30" Sink Base Cabinet
RVSBDT-3336-AL	RVSBDT-3336-OG	RVSBDT-3336-SIL	34.5"W x 23.25"D x .75"H	36" Sink Base Cabinet
RVSBDT-3942-A-1	RVSBDT-3942-OG	RVSBDT-3942-S-1	40.5"W x 23.25"D x .75"H	42" Sink Base Cabinet

A  
B  
C  
D  
E  
F  
G  
H  
I  
J  
K  
L  
M  
N  
O  
P  
Q  
R  
S  
T  
U  
V  
W  
X  
Y



**Economy, Tip-Out Tray Kits**



- Kits include:
- (1) Deluxe Tray &
- (1) Pair of 45° Hinges



45° Hinges

White Item #	Almond Item #	Dimensions	Packaging
<b>Standard Depth – 2-1/8" / No Tab Stops</b>			
RVLD-6591-22	RVLD-6591-22AL	22"L x 2-1/8"D x 3-13/16"H	(1) Del. Tray & (1) Pair Pivot Hinges
RVLD-6591-24	RVLD-6591-24AL	24"L x 2-1/8"D x 3-13/16"H	(1) Del. Tray & (1) Pair Pivot Hinges
RVLD-6591-30	RVLD-6591-30AL	30-1/2"L x 2-1/8"D x 3-13/16"H	(1) Del. Tray & (1) Pair Pivot Hinges

**A REV-A-SHELF TIP-OUT TRAYS**

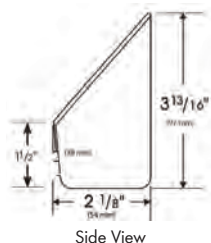
B  
C  
D  
E  
F  
G  
H  
I  
J  
K  
L  
M  
N  
O  
P  
Q  
R  
S  
T  
U  
V  
W  
X  
Y



**Plastic Standard Depth Tip-Out Trays with Tab Stops**



- Rev-A-Shelf's 6562/6561 Series
- All trays are 2-1/8"D x 3-13/16"H
- Available in White and Almond Colors



White Item #	Almond Item #	Size	Sold In
RV6562-11WH	RV6562-11AL	11"L	(2) Trays
RV6561-11WH	-	11"L	(1) Tray
RV6562-14-11-52	RV6562-14AL	14"L	(2) Trays
RV6561-14WH	RV6561-14ALB	14"L	(1) Tray



**Plastic Slim Depth Tip-Out Trays**



- Rev-A-Shelf's 6542/6541 Series
- All trays are 1-11/16"D x 3-15/16"H
- Available in White and Almond Colors



White Item #	Almond Item #	Size	Sold In
RV6542-11WH	RV6542-11AL	11"L	(2) Trays & (2) Pair Pivot Hinges
RV6542-14WH	RV6542-14AL	14"L	(2) Trays & (2) Pair Pivot Hinges
RV6541-52WH	RV6541-36-52AL	36"L	(1) Tray & (2) Pair Pivot Hinges & (1) Pair End Caps
RV6541-50WH	RV6541-36-50AL	36"L	(1) Tray & (1) Pair Pivot Hinges & (1) Pair End Caps
RV6541-36SC-11-50	RV6541-36SC-15-50	36"L	(1) Tray, (1) Pair Soft-Close Hinges & (1) Pair Caps
RV6541-36WH	RV6541-36AL	36"L	(1) Tray



**Plastic Deep Depth Tip-Out Trays**

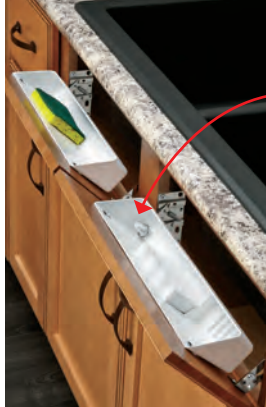


- Rev-A-Shelf's 6551/6571 Series
- All trays are 2-7/16"D x 3-15/16"H
- Available in White and Almond Colors

White Item #	Almond Item #	Size	Sold In
RV6551-598WH	RV6551-598AL	36"L	(1) Tray & (2) Pr Pivot Hinges & (2) Pair End Caps
RV6551-599WH	RV6551-599AL	36"L	(1) Tray & (1) Pair Pivot Hinges & (1) Pair End Caps
RV6551-36SC-11-50	RV6551-36SC-15-50	36"L	(1) Tray & (1) Pair Hinges w/Soft-Close & (1) Pair End Caps
RV6571-36WH	RV6571-36AL	36"L	(1) Tray
RV6571-72WH	RV6571-72AL	72"L	(1) Tray



## REV-A-SHELF TIP-OUT TRAYS



### Plastic Standard Depth Tip-Out Trays



- Rev-A-Shelf's 6572/6581 Series
- All trays are 2-1/8"D x 3-13/16"H
- Available in White and Almond Colors
- Tray Sets Include (1) Standard Tray & (1) Accessory Tray
- Sold in Tray Sets and Bulk (40) Trays

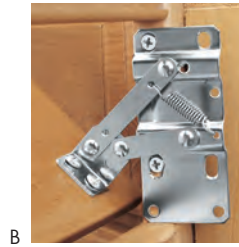
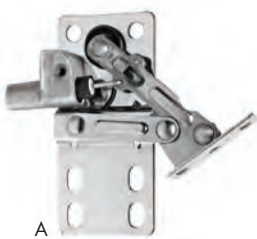
Standard Depth, Accessory Style

(Accessory has a ring post and a soap holder molded to the bottom of the tray)

White Item #	Almond Item #	Size	Sold In
RV6572-11WH	RV6572-11AL	11"L	(2) Trays & (2) Pair Pivot Hinges
RV6572-11WHB	RV6572-11ALB	11"L	Bulk (40) Trays & (40) Pair Pivot Hinges
RV6581-11WH	RV6581-11AL	11"L	(1) Tray Only
RV6572-14WH	RV6572-14AL	14-1/2"L	(2) Trays & (2) Pair Pivot Hinges
RV6572-14WHB	RV6572-14ALB	14-1/2"L	Bulk (40) Trays & (40) Pair Pivot Hinges
RV6581-14WH	-	14-1/2"L	(1) Tray Only

### Tip-Out Tray Hinges

- Designed for Rev-A-Shelf's Plastic Sink Tip-Out Trays



	Item #	Description	Sold In
A	RVLD-0220-50SC	50° Pivot Hinges w/Soft Close	(1) Pair Hinges
B	RV6552	45° Pivot Hinges for trays less than 16"	(1) Pair Hinges
	RV6552H	45° Pivot Hinges for trays longer than 16"	(1) Pair Hinges
	RV6542-WH	45° Pivot Hinges & White End Caps for Slim Depth Tip-Out Trays	(1) Pair Hinges, (1) Pair End Caps
	RV6552-WH	Hinges, White End Caps	(1) Pair Hinges, (1) Pair of White End Caps
	RV6552-AL	Hinges, Almond End Caps	(1) Pair Hinges, (1) Pair of Almond End Caps
	RV6542-AL	45° Pivot Hinges & Almond End Caps for Slim Depth Tip-Out Trays	(1) Pair Hinge & (1) Pair Almond End Caps
C	RV6552-ETH	45° Euro Hinge, used with any tray	(1) Pair Hinges
D	RVLD-0220-45-40	45° Pivot Hinges - Bulk Pack	(1) Pair Hinges

**A REV-A-SHELF TIP-OUT TRAYS**



A. Slim Depth  
1-11/16"D



B. Standard Depth  
2-1/8"D



C. Soft-Close Hinge



D. Pivot Hinge



E. Euro Hinge

**Stainless Steel Tip-Out Trays**



- Rev-A-Shelf 6541, 6581, & 6591 Series premium sink tip-out trays
- Available in Slim (1-11/16") and Standard (2-1/8") depths
- Lengths ranging from 10" to 31" L
- Material/Finish: Stainless Steel
- Sink Tip-Out Hinges are available with and without hinges, see table heading below

	(1) Tray (1) Pair Soft-Close Hinges, Item #	(1) Tray (No Tabs) & (1) Pair Hinges, Item #	(1) Tray Only (No Tabs), Item #	(1) Tray Only (w/ Tabs), Item #	Dimensions	
<b>Slim Depth = 1-11/16"</b>						
A	-	RV6541-10H-SS	RV6541-10T-SS	-	10"L x 1-11/16"D x 3"H	
	-	RV6541-11H-SS	RV6541-11T-SS	-	11-1/4"L x 1-11/16"D x 3"H	
	-	RV6541-13H-SS	RV6541-13T-SS	-	13"L x 1-11/16"D x 3"H	
	-	RV6541-14H-SS	RV6541-14T-SS	-	14-1/4"L x 1-11/16"D x 3"H	
	-	RV6541-16H-SS	RV6541-16T-SS	-	16"L x 1-11/16"D x 3"H	
	-	RV6541-19H-SS	RV6541-19T-SS	-	19"L x 1-11/16"D x 3"H	
	-	RV6541-22H-SS	RV6541-22T-SS	-	22"L x 1-11/16"D x 3"H	
	-	RV6541-25H-SS	RV6541-25T-SS	-	25"L x 1-11/16"D x 3"H	
	-	RV6541-28H-SS	RV6541-28T-SS	-	28"L x 1-11/16"D x 3"H	
	-	RV6541-31H-SS	RV6541-31T-SS	-	31"L x 1-11/16"D x 3"H	
<b>Standard Depth = 2-1/8"</b>						
B	-	RV6581-10SS-52	RV6581-10SS	RV6591-10SS	10"L x 2-1/8"D x 3"H	
	-	RV6581-11SS-52	RV6581-11SS	RV6591-11SS	11-1/4"L x 2-1/8"D x 3"H	
	-	RV6581-13-52	RV6581-13SS	RV6591-13SS	13"L x 2-1/8"D x 3"H	
	-	RV6581-14SS-52	RV6581-14SS	RV6591-14SS	14-1/4"L x 2-1/8"D x 3"H	
	-	RV6581-16SS-52	RV6581-16SS	RV6591-16SS	16"L x 2-1/8"D x 3"H	
	-	RV6581-19SS-52	RV6581-19SS	RV6591-19SS	19"L x 2-1/8"D x 3"H	
	-	RV6581-22SS-52	RV6581-22SS	RV6591-22SS	22"L x 2-1/8"D x 3"H	
	-	RV6581-25SC-52	RV6581-25SS-52	RV6581-25SS	RV6591-25SS	25"L x 2-1/8"D x 3"H
	-	RV6581-28SC-52	RV6581-28SS-52	RV6581-28SS	RV6591-28SS	28"L x 2-1/8"D x 3"H
	-	RV6581-31SC-52	RV6581-31SS-52	RV6581-31SS	RV6591-31SS	31"L x 2-1/8"D x 3"H

	Item #	Dimensions	Description	Type
<b>Stainless Steel Sink Tip-Out Tray - Accessories</b>				
C	RVLD-0220-50SC	1"L x 2-5/8"D x 3-7/8"H	(1) Pair of Hinges	50° Pivot Hinge
D	RV6552	1"L x 1-3/4"D x 3-13/16"H	(1) Pair of Hinges for Trays Less Than 16"	45° Pivot Hinge
	RV6552H	1"L x 1-3/4"D x 3-13/16"H	(1) Pair of Hinges for Trays 16" & Longer	45° Pivot Hinge
E	RV6552-ETH	1.86"L x 1.77"D x 2.81"H	Used with any size tray	45° Euro Hinge

## REV-A-SHELF DRAWER INSERTS



### Bread Drawer Insert



- Rev-A-Shelf BDC Series plastic bread drawer cover and rails
- Offered in two sizes (16-3/4"W and 20-1/8"W x 21-3/4"D) that can be trimmed to accommodate any drawer dimension
- BDC Series includes a one-piece flexiglass cover with molded in handle and rear stop, adjustable plastic sliding rails and mounting screws

Available in White and Translucent cover finishes

Item #	Max. Dimensions	Minimum Cut Size	Finish
RVBDC-200WH	16-3/4"W x 21-3/4"D	11-5/8"W x Any Depth	White
RVBDC-200CL	16-3/4"W x 21-3/4"D	11-5/8"W x Any Depth	Translucent
RVBDC24-WH	20-1/8"W x 21-3/4"D	16-1/16"W x Any Depth	White
RVBDC24-20	20-1/8"W x 21-3/4"D	16-1/16"W x Any Depth	Translucent



A. RVCT Series Cutlery Drawer Insert

### Cutlery & Spice Drawer Tray Inserts



- Rev-A-Shelf CT & ST50 Series standard plastic drawer inserts
- Versatile inserts available in a wide selection of sizes that can be trimmed to any drawer dimension
- RVCT Series trays ship with a clear protective coating. Peel off before use.
- All the items are made of heavy gauge polystyrene
- All cutlery trays are 2-3/8" deep



B. RVST50 Series Universal Drawer Insert

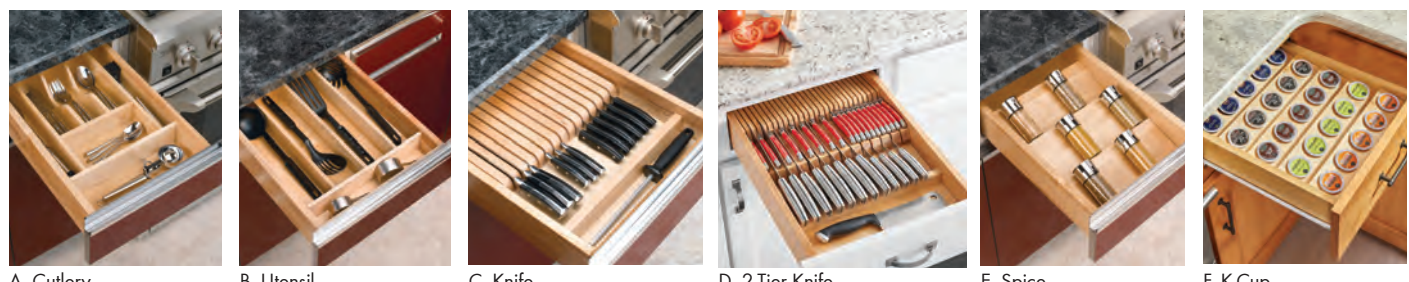
	Item #	Finish	Tray Insert Dimensions	Minimum Trim Size
A	RVCT-2W-20	White	14-1/4"W x 21-1/4"D x 2-3/8"H	11-5/8"W x 17-3/4"D x 2-3/8"H
	RVGCT-2WH	Glossy White	14-1/4"W x 21-1/4"D x 2-3/8"H	11-5/8"W x 17-3/4"D x 2-3/8"H
	RVGCT-2S	Glossy Silver	14-1/4"W x 21-1/4"D x 2-3/8"H	11-5/8"W x 17-3/4"D x 2-3/8"H
	RVCT-3AL	Almond	17-1/2"W x 21-1/4"D x 2-3/8"H	14-3/4"W x 17-3/4"D x 2-3/8"H
	RVCT-3W-20	White	17-1/2"W x 21-1/4"D x 2-3/8"H	14-3/4"W x 17-3/4"D x 2-3/8"H
	RVGCT-3WH	Glossy White	17-1/2"W x 21-1/4"D x 2-3/8"H	14-3/4"W x 17-3/4"D x 2-3/8"H
	RVGCT-3S	Glossy Silver	17-1/2"W x 21-1/4"D x 2-3/8"H	14-3/4"W x 17-3/4"D x 2-3/8"H
	RVCT-4AL	Almond	21-7/8"W x 21-1/4"D x 2-3/8"H	18-3/4"W x 17-3/4"D x 2-3/8"H
	RVCT-4W-10	White	21-7/8"W x 21-1/4"D x 2-3/8"H	18-3/4"W x 17-3/4"D x 2-3/8"H
	RVGCT-4WH	Glossy White	21-7/8"W x 21-1/4"D x 2-3/8"H	18-3/4"W x 17-3/4"D x 2-3/8"H
RVGCT-4S	Glossy Silver	21-7/8"W x 21-1/4"D x 2-3/8"H	18-3/4"W x 17-3/4"D x 2-3/8"H	
<b>Spice Drawer Tray Inserts</b>				
B	RVST50-21AL	Almond	50"W x 21"D x 1-7/8"H	Any Size
	RVST50-21WH	White	50"W x 21"D x 1-7/8"H	Any Size

**A REV-A-SHELF DRAWER INSERTS**

**B Wood Drawer Inserts w/Maple Finish**



- A. Cutlery Insert**, 4WCT designed for standard kitchen cutlery
- B. Utensil Insert**, 4WUT designed for large cutlery and kitchen utensils
- A/B. Cutlery/Utensil**, 4WCT/4WUT available in two heights: 2-3/8”H (shallow) and 2-7/8”H (standard)
- C. Knife Insert**, 4WKB provides 19 slots to store knives, separate utensil compartment (18 1/2”W x 22”D)
- D. 2-Tier Knife Insert**, 4WDKB provides 55 slots to store knives
- E. Spice Insert**, 4SDI is a one piece 3 tier configuration for spice jars
- F. K-Cup Insert**, 4CDI holds 30 K-Cups



A. Cutlery      B. Utensil      C. Knife      D. 2-Tier Knife      E. Spice      F. K-Cup

	Item #	Dimensions	Drawer Insert Type	Min. Trim	Finish
A	RV4WCT-1	14-5/8”W x 22”D x 2-7/8”H	Standard Cutlery, Tall	8-3/4”W x 15-1/2”D	Maple
	RV4WCT-3	20-5/8”W x 22”D x 2-7/8”H	Standard Cutlery, Tall	14-1/4”W x 15-1/2”D	Maple
	RV4WCT-1SH	14-5/8”W x 22”D x 2-3/8”H	Std Cutlery, Shallow	8-3/4”W x 15-1/2”D	Maple
	RV4WCT-3SH	20-5/8”W x 22”D x 2-3/8”H	Std Cutlery, Shallow	14-1/4”W x 15-1/2”D	Maple
B	RV4WUT-1SH	18-1/2”W x 22”D x 2-3/8”H	Utensil, Shallow Height	Trim-To-Fit	Maple
	RV4WUT-3SH	24”W x 22”D x 2-3/8”H	Utensil, Shallow Height	Trim-To-Fit	Maple
	RV4WUT-1	18-1/2”W x 22”D x 2-7/8”H	Standard Utensil, Tall	Trim-To-Fit	Maple
	RV4WUT-3	24”W x 22”D x 2-7/8”H	Standard Utensil, Tall	Trim-To-Fit	Maple
	RV4WUT-36-1	33-1/8”W x 22”D x 2-7/8”H	Standard Utensil, Tall	Trim-To-Fit	Maple
C	RV4WKB-1	18-1/2”W x 22”D x 2-3/8”H	Knife Block	Trim-To-Fit	Maple
D	RV4WDKB	18-1/2”W x 22”D x 2”H	Two-Tiered Knife Block	Trim-To-Fit	Maple
E	RV4SDI-18	16”W x 19-3/4”D x 1-9/16”H	Spice Tray	18” or Trim-To-Fit	Maple
	RV4SDI-24	22”W x 19-3/4”D x 1-9/16”H	Spice Tray	24” or Trim-To-Fit	Maple
	RV4SDI-36	33-1/8”W x 19-3/4”D x 1-3/4”H	Spice Tray	36” or Trim-To-Fit	Maple
F	RV4CDI-18-KCUP	16”W x 19-3/4”D x 2-3/8”H	K-Cup Tray	18” or Trim-To-Fit	Maple
	RV4CDI-24-KCUP	22”W x 19-3/4”D x 2-3/8”H	K-Cup Tray	24” or Trim-To-Fit	Maple



**Maple Blank Inserts**



- Made of 1/2” thick solid maple and have a UV cured clear finish
- Designed to match and work with Rev-A-Shelf’s other wood drawer insert products
- Available in 2-3/8”H (shallow) and 2-7/8”H (deep) each piece is 22”D

Item #	Dimensions	Description
RV4WD-22-1	1/2”T x 2-7/8”H x 22”D	Deep
RV4WD-22SH	1/2”T x 2-3/8”H x 22”D	Shallow

## REV-A-SHELF DRAWER INSERTS



### Combination Drawer Inserts w/Maple Finish



- Designed for 36" or smaller base cabinet drawers
- Trim-to-fit existing drawer
- Drop-in installation
- Natural maple construction with semi-gloss finish
- TSCA Title VI compliant

Item #	Dimensions	Description
RV4WUTCT-36-1	33-1/8"W x 22"D x 2-7/8"H	Wide Utensil/Cutlery Drawer Insert
RV4WUTKB-36-1	33-1/8"W x 22"D x 2-7/8"H	Wide Knife Block/Utensil Drawer Insert



Wide Utensil/Cutlery Drawer Insert



Wide Knife Block/Utensil Drawer Insert



Unassembled Kit

### Cutlery Drawer Insert Kit, Customizable



- Solid birch wood cutlery divider kit. Maple finish
- Drawer bottoms and dividers are pre-drilled to connect plastic clips
- LD4CT15-1 includes the following clips and dividers, (18) Plastic insert clips, (3) Small dividers, (4) Medium dividers, (2) Split dividers
- LD4CT21-1 includes the following clips and dividers, (26) Plastic insert clips, (4) Small dividers, (2) Medium dividers, (4) Large dividers, (3) Split dividers



Assembled Kit

Item #	Dimensions	Drawer Insert Type	Fits Drawer Size
RVLD-4CT15-1	9-7/8"W x 19-1/8"D x 2-1/2"H	Narrow Cutlery Drawer Insert Kit, 18 Clips	12"
RVLD-4CT21-1	15-3/8"W x 19-1/8"D x 2-1/2"H	Wide Cutlery Drawer Insert Kit, 26 Clips	18"

**A REV-A-SHELF DRAWER INSERTS**

B  
C  
D  
E  
F  
G  
H  
I  
J  
K  
L  
M  
N  
O  
P  
Q  
R  
S  
T  
U  
V  
W  
X  
Y



**Spice Drawer Insert**



- Rev-A-Shelf's 4SDI Series
- Trim-to-fit existing drawer, drop-in installation
- Walnut construction w/satin finish, Carb II compliant
- (1) rear compartment and up to (3) tiers

Item #	Finish	Dimensions	Cabinet Application
RV4SDI-WN-18	Satin Walnut	16"W x 19-3/4"D x 1-9/16"H	18" Drawer or smaller
RV4SDI-WN-24	Satin Walnut	22"W x 19-3/4"D x 1-9/16"H	24" Drawer or smaller



**Walnut Double Knife Block Insert**



- Rev-A-Shelf's 4WDKB Series
- Trim-to-fit existing drawer, drop-in installation
- Walnut construction w/satin finish, Carb II compliant
- (1) compartment and (2) tiers that include up to (55) knife slots

Item #	Finish	Dimensions	Cabinet Application
RV4WDKB-WN-1	Satin Walnut	18-1/2"W x 22"D x 2"H	18-1/2" Drawer or smaller



**Walnut Utility Tray Insert**



- Rev-A-Shelf's 4WUT Series
- Trim-to-fit existing drawer, drop-in installation
- Walnut construction w/satin finish, Carb II compliant
- Up to (7) large compartments

Item #	Finish	Dimensions	Cabinet Application
RV4WUT-WN-1SH	Satin Walnut	15-1/8"W x 22"D x 2-3/8"H	15-1/8" Drawer or smaller
RV4WUT-WN-3SH	Satin Walnut	21-1/8"W x 22"D x 2-3/8"H	21-1/8" Drawer or smaller
RV4WD-22SH-WN-1	Accessory: Walnut Divider, 1/2"W x 22"D x 2-3/8"H		



**Walnut Cutlery Tray Insert**



- Rev-A-Shelf's 4WCT Series
- Trim-to-fit existing drawer, drop-in installation
- Walnut construction w/satin finish, Carb II compliant
- Up to (9) compartments

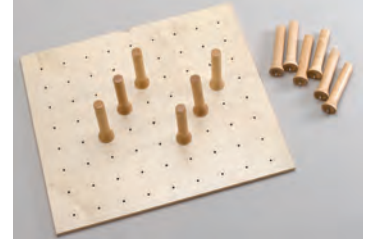
Item #	Finish	Dimensions	Cabinet Application
RV4WCT-WN-1SH	Satin Walnut	15-1/8"W x 22"D x 2-3/8"H	15-1/8" Drawer or smaller
RV4WCT-WN-3SH	Satin Walnut	21-1/8"W x 22"D x 2-3/8"H	21-1/8" Drawer or smaller
RS4WD-22SH-WN-1	Accessory: Walnut Divider, 1/2"W x 22"D x 2-3/8"H		

## REV-A-SHELF DRAWER INSERTS



### Peg Board Organizer - Maple Wood

- Trim-to-fit existing drawer, drop-in installation
- Maple construction w/semi-gloss finish, Carb II compliant
- Up to (120) pre-drilled peg holes
- Includes press-in pegs
- Pegs are 6-1/2"H
- Compatible with chrome accessories (sold separately, see next page)



Item #	Peg Board Dimensions	Drawer Type/Includes	Fits Drawer Size
RV4DPS-2421	24-1/4"W x 21-1/4"D x 6-5/8"H	Small Drawer / (9) Pegs	27" Drawer & Smaller
RV4DPS-3021	30-1/4"W x 21-1/4"D x 6-5/8"H	Medium Drawer / (12) Pegs	30" & 33" Drawers
RV4DPS-3921	39-1/4"W x 21-1/4"D x 6-5/8"H	Large Drawer / (16) Pegs	36", 39", & 42" Drawers
<b>Drawer Peg Board Only (No Pegs Included)</b>			
RV4DPB-2421	24-1/4"W x 21-1/4"D x 5/8"H	Small Drawer	27" Drawer & Smaller
RV4DPB-3021	30-1/4"W x 21-1/4"D x 5/8"H	Medium Drawer	30" & 33" Drawers
RV4DPB-3921	39-1/4"W x 21-1/4"D x 5/8"H	Large Drawer	36", 39", & 42" Drawers
<b>Additional Pegs</b>			
RV4DPSPEG-4	(4) Additional Pegs, 1-5/8"W x 1-5/8"D x 6-1/2"H		



### Peg Board Organizer - Walnut Wood

- Rev-A-Shelf's 4DPS Series
- Trim-to-fit existing drawer, drop-in installation
- Maple construction w/semi-gloss finish, Carb II compliant
- Up to (120) pre-drilled peg holes
- Includes press-in pegs
- Pegs are 6-1/2"H
- Compatible with chrome accessories (sold separately, see next page)



Item #	Description	Dimensions	Cabinet Application
<b>Drawer Peg Systems w/Pegs and Constructed in Walnut w/UV Cured Satin Finish</b>			
RV4DPS-WN-2421	24-1/4"W x 21-1/4"D x 6-5/8"H	Small Drawer / (9) Pegs	27" Drawer & Smaller
RV4DPS-WN-3021	30-1/4"W x 21-1/4"D x 6-5/8"H	Medium Drawer / (12) Pegs	30" & 33" Drawers
RV4DPS-WN-3921	39-1/4"W x 21-1/4"D x 6-5/8"H	Large Drawer / (16) Pegs	36", 39", & 42" Drawers
<b>Additional Walnut Drawer Pegs</b>			
RV4DPS-PEG-WN-4	(4) Additional Pegs, 1-5/8"W x 1-5/8"D x 6-1/2"H		

A  
B  
C  
D  
E  
F  
G  
H  
I  
J  
K  
L  
M  
N  
O  
P  
Q  
R  
S  
T  
U  
V  
W  
X  
Y

**A REV-A-SHELF DRAWER INSERTS**

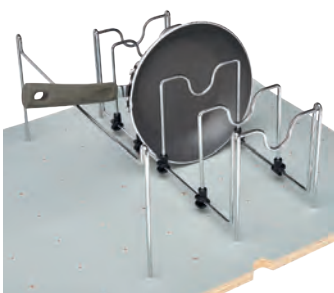


**Vinyl Peg Board & Accessories**



- Rev-A-Shelf's 4DPBG Series
- Trim-to-fit existing drawer, drop-in installation
- Maple construction w/semi-gloss finish, Carb II compliant
- Sound dampening vinyl covering
- Up to (120) pre-drilled peg holes
- **Does Not** include press-in pegs (sold separately, see previous page)
- Compatible with chrome accessories (sold separately, see below)

Item #	Dimensions	Drawer Type	Cabinet Application
RV4DPBG-2421	24-1/8"W x 21-1/4"D x 5/8"H	Small Drawer	27" Drawer & Smaller
RV4DPBG-3021	30-1/8"W x 21-1/4"D x 5/8"H	Medium Drawer	30" & 33" Drawers
RV4DPBG-3921	39-1/8"W x 21-1/4"D x 5/8"H	Large Drawer	36", 39" & 42" Drawers



RV5DCD-1-CH



RV5DLD-1-CH



RV5DCH-2-1-CH



RVDPS-PEG-4SS

**Peg Board Accessories**



All products are interchangeable with our wood and vinyl peg boards

Peg Board Accessories		
Item #	Description	Dimensions
RV5DCD-1-CH	Pan Organizer	7.75"W x 15.25"D x 7.625"H
RV5DCH-2-1-CH	Canister Set includes (2) Containers	6.5"W x 10.25"D x 6.5"H
RV5DLD-1-CH	Lid Organizer	5.25"W x 16.875"D x 5.375"H
RVDPS-PEG-4SS	Steel Pegs w/Chrome Finish (4-Per Pack)	1.25"W x 1.25"D x 6"H



**REV-A-SHELF DRAWERS**



**Maxx Drawer**



- Designed for 24" base face frame cabinet drawers
- Complete drawer system, just add drawer front
- Easy installation
- Natural maple construction with semi-gloss finish
- Full-extension, TANDEM, 90 lb. rated, concealed slides with BLUMOTION soft-close
- 5/8" drawer side walls
- (5) drawer compartments
- Comes with (8) short dividers, (5) long dividers and (26) clips
- Mounts to cabinet drawer front, rear and sidewalls
- Figure 8 door mount brackets
- TSCA Title VI compliant



Includes: (8) short dividers, (5) long dividers & (26) clips

Item #	Dimensions	Description	Cabinet Type / Size
RV4WTMD-24HSC-1	21"W x 21-17/32"D x 4-3/8"H	Tiered Maxx Drawer w/Blum Slides	Framed, 24"
RV4WTMD-24H-1	21"W x 21-17/32"D x 4-3/8"H	Tiered Maxx Drawer - No Slides	Framed, 24"

A  
B  
C  
D  
E  
F  
G  
H  
I  
J  
K  
L  
M  
N  
O  
P  
Q  
R  
S  
T  
U  
V  
W  
X  
Y

**A REV-A-SHELF DRAWERS**



**Tiered Deep Drawer**



- Designed for 30" and 36" base cabinet drawers
- Complete drawer system, just add your drawer front
- Easy installation
- Natural maple construction with semi-gloss finish
- Full-extension, TANDEM, 110 lb. rated, concealed slides with BLUMOTION soft-close
- (3) drawer compartments
- Sliding top tray is designed for use with 4WCT, 4WUT and 4WKB inserts
- Mounts to cabinet drawer front, rear and sidewalls
- Figure 8 door mount brackets
- US Patent No. D843,791
- TSCA Title VI compliant



Top tier drawer compatible with RAS drawer inserts

Item #	Dimensions	Description	Cabinet Type / Size
RV4WTCDD-30HSC-1	27"W x 22-3/16"D x 8"H	Tiered Deep Drawer w/Blum Slides	Face Frame, 30"
RV4WTCDD-36HSC-1	33"W x 22-3/16"D x 8"H	Tiered Deep Drawer w/Blum Slides	Face Frame, 36"
RV4WTCDD-724HFLSC1	28-1/2"W x 22-3/16"D x 8"H	Tiered Deep Drawer w/Blum Slides	Frameless, 30"
RV4WTCDD-876HFLSC1	34-1/2"W x 22-3/16"D x 8"H	Tiered Deep Drawer w/Blum Slides	Frameless, 36"

**REV-A-SHELF DRAWERS**



**Wood Tiered Cutlery Drawers for Face Frame Cabinets**



- Rev-A-Shelf's 4WTCD Series
- Designed for 1-1/2" Face Frame Cabinets
- Available with or without Blum Soft-Close Slides undermount slides
- Does not include a drawer front
- Designed to be used with Blumotion 563H533 undermount slides
- Pre-assembled drawer box

Item #	Description	Product Dimensions
<b>Includes Blum Soft-Close Undermount Slides</b>		
RV4WTCD-15HSC-1	For 15" Cabinet, w/Slides	12"W x 21-1/2"D x 4-5/16"H
RV4WTCD-18HSC-1	For 18" Cabinet, w/Slides	15"W x 21-1/2"D x 4-5/16"H
RV4WTCD-21HSC-1	For 21" Cabinet, w/Slides	18"W x 21-1/2"D x 4-5/16"H
RV4WTCD-24HSC-1	For 24" Cabinet, w/Slides	21"W x 21-1/2"D x 4-5/16"H
<b>No Slides Included</b>		
RV4WTCD-15H-1	For 15" Cabinet, No Slides	11-1/2"W x 21"D x 3-3/4"H
RV4WTCD-18H-1	For 18" Cabinet, No Slides	14-1/2"W x 21"D x 3-3/4"H
RV4WTCD-21H-1	For 21" Cabinet, No Slides	17-1/2"W x 21"D x 3-3/4"H
RV4WTCD-24H-1	For 24" Cabinet, No Slides	20-1/2"W x 21"D x 3-3/4"H



**Wood Tiered Cutlery Drawers for Frameless Cabinets**



- Rev-A-Shelf's 4WTCD Series
- Designed for Frameless Cabinets with 3/4" Side Panels
- Available with or without Blum Soft-Close Slides undermount slides
- Does not include a drawer front
- Designed to be used with Blumotion 563H533 undermount slides
- Pre-assembled drawer box

Item #	Description	Product Dimensions
<b>Includes Blum Soft-Close Undermount Slides</b>		
RV4WTCD-343HFLSC-1	For Frameless 15" Cab, w/Slides	13-1/2"W x 21-11/16"D x 4-5/16"H
RV4WTCD-419HFLSC-1	For Frameless 18" Cab, w/Slides	16-1/2"W x 21-11/16"D x 4-5/16"H
RV4WTCD-495HFLSC-1	For Frameless 21" Cab, w/Slides	19-1/2"W x 21-11/16"D x 4-5/16"H
RV4WTCD-572HFLSC-1	For Frameless 24" Cab, w/Slides	22-1/2"W x 21-11/16"D x 4-5/16"H
<b>No Slides Included</b>		
RV4WTCD-343HFL-1	For Frameless 15" Cab, No Slides	13"W x 21"D x 3-3/4"H
RV4WTCD-419HFL-1	For Frameless 18" Cab, No Slides	16"W x 21"D x 3-3/4"H
RV4WTCD-495HFL-1	For Frameless 21" Cab, No Slides	19"W x 21"D x 3-3/4"H
RV4WTCD-572HFL-1	For Frameless 24" Cab, No Slides	22"W x 21"D x 3-3/4"H

A  
B  
C  
D  
E  
F  
G  
H  
I  
J  
K  
L  
M  
N  
O  
P  
Q  
R  
S  
T  
U  
V  
W  
X  
Y

**A REV-A-SHELF DRAWERS**

B  
C  
D  
E  
F  
G  
H  
I  
J  
K  
L  
M  
N  
O  
P  
Q  
R  
S  
T  
U  
V  
W  
X  
Y



**Wood 2-Tiered Combination Drawers**



- Rev-A-Shelf's 4WTCD Series
- Designed for 1-1/2" Face Frame Cabinets
- Available with or without Blum Soft-Close Slides undermount slides
- Does not include a drawer front
- Designed to be used with Blumotion 563H533 undermount slides
- Pre-assembled drawer box
- 30" holds 12 knives and 36" holds 15 knives

Item #	Description	Product Dimensions
<b>Includes Blum Soft-Close Undermount Slides</b>		
RV4WTCD-30HSC-1	For 30" Cabinet, w/Slides	26-15/16"W x 22-3/16"D x 4-13/32"H
RV4WTCD-36HSC-1	For 36" Cabinet, w/Slides	32-15/16"W x 22-3/16"D x 4-13/32"H
<b>No Slides Included</b>		
RV4WTCD-30H-1	For 30" Cabinet, No Slides	26-7/16"W x 21"D x 3-3/4"H
RV4WTCD-36H-1	For 36" Cabinet, No Slides	32-7/16"W x 21"D x 3-3/4"H



**Wood 2-Tiered K-Cup Drawers**



- Rev-A-Shelf's 4WTCD Series
- Designed for 1-1/2" Face Frame Cabinets
- Available with or without Blum Soft-Close Slides undermount slides
- Does not include a drawer front
- Designed to be used with Blumotion 563H533 undermount slides
- Pre-assembled drawer box
- Holds 40 K-Cups

Item #	Description	Product Dimensions
<b>Includes Blum Soft-Close Undermount Slides</b>		
RV4WTCD-18HSCKCUP1	For 18" Cabinet, w/Slides	14-15/16"W x 21-1/2"D x 4-5/16"H
<b>No Slides Included</b>		
RV4WTCD-18HKCUP-1	For 18" Cabinet, No Slides	14-7/16"W x 21"D x 3-3/4"H



**REV-A-SHELF DRAWERS**



**Tiered Combination Drawers - Frameless Cabinets**



- Rev-A-Shelf's 4WTCD Series
- Designed for 30" and 36" frameless cabinet drawers w/3/4" side panels
- Complete drawer system, just add your drawer front
- Easy installation
- Maple construction with semi-gloss finish
- Drawer features up to (6) compartments and built-in knife organizer
- Sliding top tray features up to (5) compartments
- Mounts to cabinet side and rear wall
- Door mounting brackets
- Includes: (1) Foil Wrap Insert
- TSCA Title VI compliant



Foil Wrap Insert included

Item #	Dimensions	Description	Cabinet Application
<b>Tiered Combination Drawer w/BLUMOTION Soft-Close</b>			
RV4WTCD-724HFLSC-1	28-1/2"W x 22-3/16"D x 4-13/32"H	Combo Drawer	30" Frameless
RV4WTCD-876HFLSC-1	34-1/2"W x 22-3/16"D x 4-13/32"H	Combo Drawer	36" Frameless
<b>Tiered Combination Drawer, NO slides included</b>			
RV4WTCD-724HFL-1	28"W x 21"D x 3-3/4"H	Combo Drawer	30" Frameless
RV4WTCD-876HFL-1	34"W x 21"D x 3-3/4"H	Combo Drawer	36" Frameless



**Foil Wrap Insert**



- Rev-A-Shelf's 4FWI Series
- Designed as an accessory for 4WUT Series Utensil Inserts
- Can store foil, plastic wrap and parchment paper
- Store, access, and cut with ease

Item #	Dimensions	Description
RV4FWI-16SS-1	3-7/16"W x 16"D x 2-5/8"H	16" Foil Wrap Insert for 4WUT



**Solid Wood Tambour Table, Drawer Pull-Out**



- Rev-A-Shelf's innovative solid maple wood tambour table
- Add 31-3/4" counter space to a kitchen
- The design uses a mechanical slide to extend and retract
- The door mount brackets allow up to 5" of adjustment
- Designed to fit 1-1/2" face frame, base 24" drawers
- Equipped with stop locks to prevent over-extension
- 250 lb static load distributed evenly

- CARB II Compliant
- Board measures: 31-3/4" x 20-5/16"
- Minimum Opening:
  - Width 20-1/2"
  - Height 4-1/4"

Item #	Size
RV4TT-2133	22"W x 19-5/16" - 24"D x 4-3/4"H

A  
B  
C  
D  
E  
F  
G  
H  
I  
J  
K  
L  
M  
N  
O  
P  
Q  
R  
S  
T  
U  
V  
W  
X  
Y

**A REV-A-SHELF DRAWERS**



**Combo Knife Holder/Cutting Board Drawers**



- Designed for 18", 21" and 24" face frame and 18" frameless base cabinet drawers
- Face Frame fits 1-1/2"
- Frameless fits 3/4"
- Complete drawer system, just add your drawer front
- Natural maple construction with semi-gloss finish
- Full-extension, TANDEM, 110 lb. rated, concealed slides with BLUMOTION soft-close
- Up to (4) compartments and built-in knife organizer
- Mounts to cabinet drawer front, rear and side walls
- Figure 8 door mount brackets
- Built-in locking mechanism
- Includes (1) wood cutting board
- Drawer front (NOT) included
- TSCA Title VI compliant

Complete drawer system, just add your own drawer front



Up to (4) compartments and built-in knife organizer



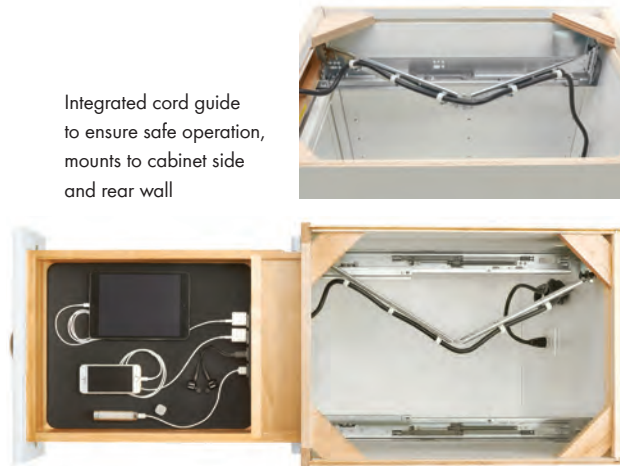
Item #	Designed for Cabinet Size	Dimensions	Minimum Cabinet Opening
<b>Combination Drawer w/BLUMOTION Soft-Close Slides</b>			
RV4KCB-18HSC-1	18" Face Frame	15"W x 22-1/8"D x 4-3/8"H	15"W
RV4KCB-21HSC-1	21" Face Frame	18"W x 22-1/8"D x 4-3/8"H	18"W
RV4KCB-24HSC-1	24" Face Frame	21"W x 22-1/8"D x 4-3/8"H	21"W
RV4KCB-419HFLSC-1	18" Frameless	16-1/2"W x 22-1/8"D x 4-3/8"H	16-1/2"W
<b>Combination Drawer Only - No Slides</b>			
RV4KCB-18H-1	18" Face Frame	14.54"W x 21"D x 3.85"H	15"W
RV4KCB-21H-1	21" Face Frame	17.54"W x 21"D x 3.85"H	18"W
RV4KCB-24H-1	24" Face Frame	20.54"W x 21"D x 3.85"H	21"W

## REV-A-SHELF CHARGING DRAWER & CUTTING BOARD RACKS

### Charging Drawer



Complete drawer system, just add your own drawer front



Integrated cord guide to ensure safe operation, mounts to cabinet side and rear wall

Item #	Description	Dimensions
<b>Charging Drawers w/BLUMOTION Soft-Close</b>		
RV4WCDB-18HSC-1	With Soft-Close, for 18" Face Frame Cabinet	15"W x 22-3/4"D x 4-1/2"H
RV4WCDB-18HFLSC-1	With Soft-Close, for 18" Frameless Cabinet	16-1/2"W x 22-3/4"D x 4-1/2"H

### Door Mount Cutting Boards



- Rev-A-Shelf's 4DMCB Series
- Designed for 15" and 18" base cabinets
- Maple support rack with chrome-plated round wire
- Patented adjustable door mount brackets that provides up to 5" adjustability



A



B



Rear view of the adjustable door mounting brackets.

	Item #	Dimensions	Mount Bracket Size	Cutting Board Size
<b>RV4DMCB Wood/Door Mount Cutting Boards</b>				
A	RV4DMCB-15	10-1/2"W x 2-7/8"D x 16-7/8"H	10-1/2"W x 2-7/8"D x 8"H	7-3/4"W x 1-1/4"D x 16"H
	RV4DMCB-18	13-1/2"W x 2-7/8"D x 16-7/8"H	13-1/2"W x 2-7/8"D x 8"H	10-3/4"W x 1-1/4"D x 16"H
<b>Polyethylene/Door Mount</b>				
B	RV4DMCB-15P	11-5/16"W x 2"D x 16-7/16"H		
	RV4DMCB-18P	14-3/4"W x 2"D x 16-7/16"H		

A  
B  
C  
D  
E  
F  
G  
H  
I  
J  
K  
L  
M  
N  
O  
P  
Q  
R  
S  
T  
U  
V  
W  
X  
Y

**A REV-A-SHELF CABINET DOOR ORGANIZERS**

**B Utility Storage Tray Sets**



- 6232: 2 tray sets, 8", 14" & 20"L; 6235: 5 tray sets, 8", 14" & 20"L
- Plastic storage trays are designed to accept tray clips (clips fasten the tray to the door back) at three different intervals on the tray (see below)
- Trays can also be attached to the door back via optional aluminum standards (described in the table below)
- Trays are available in White, 2 clips per tray

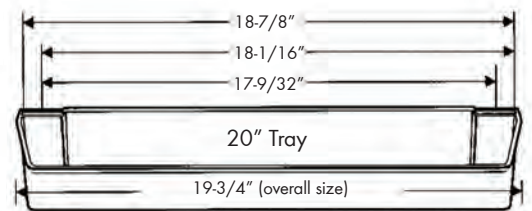
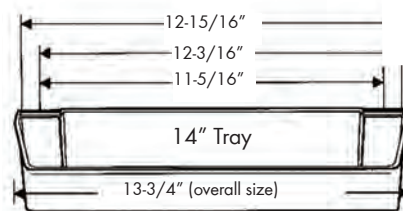
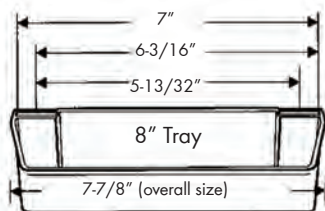


Optional Aluminum Standards with Clips



Aluminum Standards with Adjustable Clips

Dimensions below show the range of hole spacings available for tray mounting.



RV6232 Series Two Tray Set Storage Trays - White Plastic			
Item #	Dimensions	Cabinet Door Storage Type	Door Size, Min. Opening
RV6232-8WH	7-7/8"L x 4-1/4"D x 3-9/16"H	(2) Storage Tray Set	12"
RV6232-14WH	13-3/4"L x 4-1/4"D x 3-9/16"H	(2) Storage Tray Set	18"
RV6235 Series Five Tray Set Storage Trays			
RV6535-14WH	13-3/4"L x 4-1/4"D x 3-9/16"H	(5) Storage Tray Set	18"
RV6235-20WH	19-3/4"L x 4-1/4"D x 3-9/16"H	(5) Storage Tray Set	24"

RV6232 & RV6235 Series Storage Tray Standards - Bright Aluminum Finish			
Item #	Size	Description	Designed for RAS Storage Trays
RV6232-26AM	26"H	(2) Aluminum Standards with 4 clips	RV4231, RV4235, RV6232 & RV6235
RV6232-58AM	58"H	(2) Aluminum Standards with 10 clips	RV4231, RV4235, RV6232 & RV6235



## REV-A-SHELF CABINET DOOR ORGANIZERS

### Wood Utility Storage Trays



- Rev-A-Shelf 4WFR, 4SPBD, 4SBSU, 4231 & 4235 Series wood storage trays
- RV4WFR, RV4SPBD, RV4SBSU includes: (4) built in 5" adj. mounting brackets and (4) screws per rack
- RV4231 & RV4235 includes: (2) screw-in clips per tray and can also be affixed to the door by optional aluminum standards (see below)



A



B



C



D



E

	Item #	Dimensions	Door Size, Min. Opening
<b>RV4WFR - Vertical Foil Rack</b>			
A	RV4WFR-15	10-1/8"W x 4"D x 8"H	15"H x 11"W
	RV4WFR-18	13-1/8"W x 4"D x 8"H	18"H x 13-3/4"W
<b>RV4SPBD - Garbage Bag Holder</b>			
B	RV4SPBD-15	10-1/2"W x 5"D x 18-5/8"H	18"H x 11-5/8"W
	RV4SPBD-18	13-1/2"W x 5"D x 18-5/8"H	18"H x 14-5/8"W
<b>RV4SBSU - Cleaning Supply Holder</b>			
C	RV4SBSU-15	10-1/2"W x 5"D x 18-1/2"H	15"H x 11-5/8"W
	RV4SBSU-18	13-1/2"W x 5"D x 18-1/2"H	18"H x 14-3/8"W
	RV4SBSU-21	16-1/2"W x 5"D x 18-1/2"H	18"H x 17-1/4"W



F. (Optional) Aluminum Standards with Clips

<b>RV4MR - Mail Organizers</b>			
	Item #	Dimensions	Description
D	RV4MR-18	13-1/2"W x 3-9/16"D x 15"H	Designed for 18" Wall Cabinets, Wood Finish
	RV4MR-18W	13-1/2"W x 3-9/16"D x 15"H	Designed for 18" Wall Cabinets, White Finish

<b>Wood Storage Trays - RV4231 (Single Tray Packs) and RV4235 (Bulk, 5 Per Pack)</b>					
	Single Pack Item #	Bulk Pack Item #	Bulk Pk Qty	Dimensions	Door Size, Min Opening
E	RV4231-11	RV4235-11	5	10-3/4"W x 4-1/4"D x 3-5/8"H	15"W
	RV4231-14	RV4235-14	5	13-3/4"W x 4-1/4"D x 3-5/8"H	18"W

	Item #	Size	Description	Designed for RAS Storage Trays	Finish
F	RV6232-26AM	26"H	(2) Aluminum Standards with 4 clips	4231 & 4235	Bright Aluminum
	RV6232-58AM	58"H	(2) Aluminum Standards with 10 clips	4231 & 4235	Bright Aluminum

A  
B  
C  
D  
E  
F  
G  
H  
I  
J  
K  
L  
M  
N  
O  
P  
Q  
R  
S  
T  
U  
V  
W  
X  
Y

**A REV-A-SHELF CABINET DOOR ORGANIZERS**

**Cabinet Door Spice Racks,  
Flat Wire**


- Designed for 12", 15" and 18" wall cabinets
- Orion gray flat wire construction
- 4-screw installation
- (4) shelves
- Mounts to cabinet door
- Screw-in clips

Item #	Description	Size
RV5365-08-FOG	Door Mount Spice Rack, Flat Wire, Orion Gray	7-7/8"W x 2-1/2"D x 23-3/8"H
RV5365-10-FOG	Door Mount Spice Rack, Flat Wire, Orion Gray	10-5/8"W x 2-1/2"D x 23-3/8"H
RV5365-14-FOG	Door Mount Spice Rack, Flat Wire, Orion Gray	13-5/8"W x 2-1/2"D x 23-3/8"H

B  
C  
D  
E  
F  
G  
H  
I  
J  
K  
L  
M  
N  
O  
P  
Q  
R  
S  
T  
U  
V  
W  
X  
Y


**Metal Spice Racks**


- Rev-A-Shelf 565 Series standard metal spice racks
- Racks are designed to affix to the backs of 12", 15" or 18" wide door
- RV565 includes: (4) door mount clips and (4) screws per rack
- Racks are constructed of heavy gauge white wire

Item #	Dimensions	Cabinet Door Width
RV565-8WH	7-7/8"W x 4-1/8"D x 21-3/8"H	12"
RV565-10WH	10-5/8"W x 4-1/8"D x 21-3/8"H	15"
RV565-14WH	13-5/8"W x 4-1/8"D x 21-3/8"H	18"

## REV-A-SHELF CABINET DOOR ORGANIZERS



### Adjustable Three Tier Wood Spice Rack with Metal Guard Rail



- Rev-A-Shelf 4SR Series is made of solid maple and has a UV clear finish
- Tray is a single piece and has three tiers
- Tray has four built in 5" adjustable mounting brackets
- Three fixed shelves have two metal satin finish guard rails
- Includes: (4) adjustable mounting brackets and (4) screws per rack

Item #	Dimensions	Door Size, Min. Opening
RV4SR-15	10-1/2"W x 3-1/8"D x 21-1/4"H	15", 11-3/4"
RV4SR-18	13-1/2"W x 3-1/8"D x 21-1/4"H	18", 14-3/4"
RV4SR-21	16-1/2"W x 3-1/8"D x 21-1/4"H	21", 17-3/4"



### Adjustable Spice Racks



- Rev-A-Shelf 4ASR Series premium wood spice racks
- Made of solid maple and have UV clear coat finish
- Features 3 racks and 2 rails, rails offer up to 5" of up/down mounting adjustment
- Rack lengths available in 10-1/8", 13-1/8" and 16-1/8" with 2 Satin Nickel finish guard rails

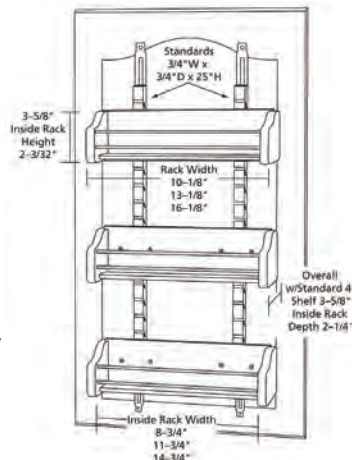
Item #	Dimensions	Cabinet Door Type	Door Size, Min. Opening
<b>Adjustable Door Mount Spice Rack - 3 Racks And 2 Rail Kits</b>			
RV4ASR-15	10-1/8"W x 4"D x 25"H	Adj. Spice Rack	15"H x 12"W
RV4ASR-18	13-1/8"W x 4"D x 25"H	Adj. Spice Rack	18"H x 15"W
RV4ASR-21	16-1/8"W x 4"D x 25"H	Adj. Spice Rack	21"H x 18"W



Bracket on back of tray for attaching to standards



Adjustable Standard  
Up to 5" of adjustability,  
just loosen screws, adjust,  
then re-tighten.



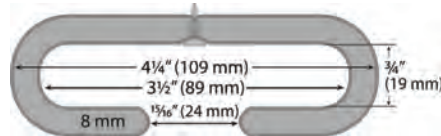
**A REV-A-SHELF STEMWARE RACKS**



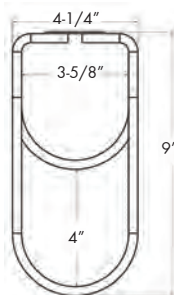
**Stemware Rack, Metal  
Single & Quad Rows**



- Made of heavy 8mm gauge wire construction
  - Designed to mount without mounting in view
- Packing & Sold In: Each



Item #	Finish	Dimensions	Description
RV3150-11SN	Satin Nickel	4-1/4"W x 11"D x 1-1/2"H	Single Row 11" Deep, Stemware Holder
RV3150-11CR	Chrome	4-1/4"W x 11"D x 1-1/2"H	Single Row 11" Deep, Stemware Holder
RV3150-11BR	Brass	4-1/4"W x 11"D x 1-1/2"H	Single Row 11" Deep, Stemware Holder
RV3150-11ORB	Oil Rubbed Bronze	4-1/4"W x 11"D x 1-1/2"H	Single Row 11" Deep, Stemware Holder
RV3150-16SN	Satin Nickel	4-1/4"W x 16"D x 1-1/2"H	Single Row 16" Deep, Stemware Holder
RV3150-16CR	Chrome	4-1/4"W x 16"D x 1-1/2"H	Single Row 16" Deep, Stemware Holder
RV3150-16BR	Brass	4-1/4"W x 16"D x 1-1/2"H	Single Row 16" Deep, Stemware Holder
RV3150-16ORB	Oil Rubbed Bronze	4-1/4"W x 16"D x 1-1/2"H	Single Row 16" Deep, Stemware Holder
RV3150-18SN	Satin Nickel	4-1/4"W x 18"D x 1-1/2"H	Single Row 18" Deep, Stemware Holder
RV3150-18CR	Chrome	4-1/4"W x 18"D x 1-1/2"H	Single Row 18" Deep, Stemware Holder
RV3150-18BR	Brass	4-1/4"W x 18"D x 1-1/2"H	Single Row 18" Deep, Stemware Holder
RV3150-18ORB	Oil Rubbed Bronze	4-1/4"W x 18"D x 1-1/2"H	Single Row 18" Deep, Stemware Holder
RV3450-11SN	Satin Nickel	17"W x 11"D x 1-1/2"H	Quad (4 Rows) 11" Deep, Stemware Holder
RV3450-11CR	Chrome	17"W x 11"D x 1-1/2"H	Quad (4 Rows) 11" Deep, Stemware Holder
RV3450-11BR	Brass	17"W x 11"D x 1-1/2"H	Quad (4 Rows) 11" Deep, Stemware Holder
RV3450-11ORB	Oil Rubbed Bronze	17"W x 11"D x 1-1/2"H	Quad (4 Rows) 11" Deep, Stemware Holder



**Metal Double Wine Bottle Rack**



- One piece front/back are connected
- Size: 4-1/4"W x 5/8"D x 9"H

Item #	Finish
RV3250SN	Satin Nickel
RV3250CR	Chrome
RV3250BR	Brass
RS3250-ORB	Oil Rubbed Bronze

## REV-A-SHELF PULL-DOWN SHELVES



### Pull Down Shelf



- Designed for 24" and 36" wall cabinets
- Chrome-plated metal frame

#### Two configurations:

- (A) Wire bottom shelves with chrome wire accents
- (B) Solid bottom walnut shelves with satin finish and orion gray flat wire accents
- Mounts to cabinet floor and side walls
- Side and bottom mount brackets
- Gas-assisted lifting/lowering mechanism
- Locks into down position for hands free accessibility
- Pulls down 11-1/2" and out 16-3/4"
- TSCA Title VI compliant



A. Wire bottom w/chrome accents



B. Walnut bottom w/orion gray accents

	Item #	Dimensions	Description	Cabinet Type / Size
A	RV5PD-24CRN	22-1/4"W x 10-1/8"D x 18-3/8"H	Pull Down System, Wire Bottom	Face Frame, Wall 24"
	RV5PD-36CRN	34"W x 10-1/8"D x 18-3/8"H	Pull Down System, Wire Bottom	Face Frame, Wall 36"
B	RV5PD-24FOG	22-1/4"W x 10-1/8"D x 18-7/32"H	Pull Down System, Walnut Bottom	Face Frame, Wall 24"
	RV5PD-36FOG	34"W x 10-1/8"D x 18-7/32"H	Pull Down System, Walnut Bottom	Face Frame, Wall 36"



### Universal Pull Down



- Designed for 24" wall cabinets
- Chrome-plated metal frame
- (3) shelves with (4) acrylic bins
- Mounts to cabinet floor and side walls
- Side and bottom mount brackets
- Gas-assisted lifting/lowering mechanism
- Locks into down position for hands free accessibility
- Pulls down 11-1/2" and out 16-3/4"
- Drop-in dividers, scalloped inserts and labels

	Item #	Dimensions	Description	Cabinet Type / Size
	RV5UPD-24CRN	22-1/4"W x 10-1/8"D x 21-1/2"H	Pull Down System w/Acrylic Bins	Face Frame, Wall 24"

A  
B  
C  
D  
E  
F  
G  
H  
I  
J  
K  
L  
M  
N  
O  
P  
Q  
R  
S  
T  
U  
V  
W  
X  
Y

## REV-A-SHELF BOTTOM MOUNT WASTE BIN PULL-OUTS

### RV Series Single & Double Trash Pull-Outs



- Rev-A-Shelf's RV Series
- Features a heavy-duty metal wire carriage
- Includes metal wire carriage, slides, and trash bin(s)
- Door Mount Kits Sold Separately, see below



A



B



C. Door Mount Kit

	Item #	Description	Product Dimensions	Carriage Finish
<b>Single Bin - Ball Bearing 3/4 Extension Slide, 75 Lb. Rated</b>				
A	RV9PBWH	Single 30QT, Trash Pull-Out, White Bin	9-1/2"W x 22"D x 19-1/4"H	White
	RV12PBLWH	Single 35QT, Trash Pull-Out, White Bin w/Lid	10-5/8"W x 22"D x 20-3/8"H	White
	RV12PBWH	Single 35QT, Trash Pull-Out, White Bin	10-5/8"W x 22"D x 19"H	White
	RV18PB1WH	Single 35QT, Trash Pull-Out, White Bin	14-3/8"W x 22"D x 19-1/4"H	White
<b>Single Bin - Ball Bearing Full Extension Slide, 100 Lb. Rated</b>				
A	RV9PBWHS	Single 30QT, Trash Pull-Out, White Bin	9-1/2"W x 22"D x 19-1/4"H	White
	RV12PB-LE	Single 35QT, Trash Pull-Out, White Bin w/Lid	10-5/8"W x 16"D x 20-3/8"H	White
	RV12PBS	Single 35QT, Trash Pull-Out, White Bin	10-5/8"W x 22"D x 19"H	White
	RV-12KD-18CS	Single 35QT, Trash Pull-Out, Black Bin	10-5/8"W x 22"D x 19-1/4"H	Chrome
	RV12KD-17CS	Single 35QT, Trash Pull-Out, Silver Bin	10-5/8"W x 22"D x 19-1/4"H	Chrome
	RV12PB50WH	Single 50QT, Trash Pull-Out, White Bin	12-1/4"W x 22"D x 24-1/4"H	White
	RV12PB50SWH	Single 50QT, Trash Pull-Out, White Bin w/Lid	12-1/4"W x 22"D x 24-1/4"H	White
<b>Double Bin - Ball Bearing Full Extension Slide, 100 Lb. Rated</b>				
B	RV15PB2SWH	Double 27QT, Trash Pull-Out, White Bins	11-13/16"W x 22-1/4"D x 19-1/8"H	White
	RV15KD-18CS	Double 27QT, Trash Pull-Out, Black Bins	11-13/16"W x 22-1/4"D x 19-1/4"H	Chrome
	RV15KD-17CS	Double 27QT, Trash Pull-Out, Silver Bins	11-13/16"W x 22-1/4" x 19-1/4"H	Chrome
	RV18KD-18CS	Double 35QT, Trash Pull-Out, Black Bins	14-3/8"W x 22"D x 19-1/4"H	Chrome
	RV18KD-17CS	Double 35QT, Trash Pull-Out, Silver Bins	14-3/8"W x 22"D x 19-1/4"H	Chrome
	RV18PB2SWH	Double 35QT, Trash Pull-Out, White Bins	14-3/8"W x 22"D x 19-1/4"H	White
<b>Door Mount Kits</b>				
C	RVDMKITWH	White Finish, Includes Installation Hardware		
	RVDM17-KIT	Silver Epoxy Finish, Includes Installation Hardware		

**REV-A-SHELF BOTTOM MOUNT WASTE BIN PULL-OUTS**



**Chrome Universal Waste Pull-Out**



- Designed for 27", 30" and 33" Sink Base
- Single 20 and 32 qt. polymer containers, gray
- Chrome-plated welded wire frame
- Full-extension, 100 lb. rated, ball bearing slides (included)
- Clip-on handle
- RB versions come with a rear storage basket
- 4-screw installation, mounts to cabinet floor

Item #	Description	Dimensions	Minimum Cabinet Opening	Designed for Cabinet Style / Size
RVRUKD-0820-1	Single 20 qt.	8-1/2"W x 16-1/8"D x 16-5/8"H	8-1/2"	Face Frame, Base 12"
RVRUKD-1420RB-1	Single 20 qt. w/ Rear Basket	14-1/2"W x 15-3/4"D x 16-5/8"H	14-1/2"	Face Frame, Base 18"
RVRUKD-932-1	Single 32 qt.	9"W x 15-3/4"D x 19-5/8"H	9-1/2"	Face Frame, Base 12"
RVRUKD-1432RB-1	Single 32 qt. w/ Rear Basket	14-1/2"W x 15-3/4"D x 19-5/8"H	14-1/2"	Face Frame, Base 18"



**5149 Series Single & Double Trash Pull-Outs**



- Features a sleek anodized aluminum carriage
- Over-Travel Rev-A-Motion Soft-Open/Soft-Close Slides
- Includes aluminum carriage, slides, trash bin(s) and door mounting brackets
- 150 Lb. Weight Rating
- Carriage/Slides and Trash Bins Sold Together

Item #	Description	Product Dimensions
<b>Single Bin Trash Pull-Outs with Rev-A-Motion Slides Soft-Open/Soft-Close Slides</b>		
RV5149-15DM-117	Single 35QT, Trash Pull-Out, Silver Bin	12-1/8"W x 22"D x 19-1/2"H
RV5149-15DM-111	Single 35QT, Trash Pull-Out, White Bin	12-1/8"W x 22"D x 19-1/2"H
RV5149-15DM18-111	Single 35QT, Trash Pull-Out, White Bin & Reduced Depth	12-1/8"W x 18"D x 19-1/2"H
RV5149-15DM18-117	Single 35QT, Trash Pull-Out, Silver Bin & Reduced Depth	12-1/8"W x 18"D x 19-1/2"H
RV5149-1550DM-111	Single 50QT, Trash Pull-Out, White Bin	12-1/8"W x 22"D x 23-1/2"H
RV5149-1550DM-117	Single 50QT, Trash Pull-Out, Silver Bin	12-1/8"W x 22"D x 23-1/2"H
<b>Double Bin Trash Pull-Outs with Rev-A-Motion Slides Soft-Open/Soft-Close Slides</b>		
RV5149-1527DM-211	Double 27QT, Trash Pull-Out, White Bin	12-1/8"W x 22"D x 19-1/2"H
RV5149-1527DM-217	Double 27QT Trash Pull-Out, Silver Bins	12-1/8"W x 22"D x 19-1/2"H
RV5149-18DM-217	Double 35QT Trash Pull-Out, Silver Bins	14-3/16"W x 22"D x 19-1/2"H
RV5149-18DM-211	Double 35QT Trash Pull-Out, White Bins	14-3/16"W x 22"D x 19-1/2"H
RV5149-2150DM-211	Double 50QT, Trash Pull-Out, White Bin	15-5/8"W x 22"D x 23-1/2"H
RV5149-2150DM-217	Double 50QT Trash Pull-Out, Silver Bins	15-5/8"W x 22"D x 23-1/2"H

**A REV-A-SHELF BOTTOM MOUNT WASTE BIN PULL-OUTS**

B  
C  
D  
E  
F  
G  
H  
I  
J  
K  
L  
M  
N  
O  
P  
Q  
R  
S  
T  
U  
V  
W  
X  
Y



**53WC Series Single & Double Trash Pull-Outs**



- Designed for 15" and 18" base cabinets
- Single 35 and 50 qt. and double 27, 35 and 50 qt. polymer containers, available in orion gray, champagne or silver
- Full-extension, progressive roller, 90 lb. rated, concealed slides with soft-close
- Powder-coated wire frame
- Mounts to cabinet floor
- Pre-assembled door mounting brackets
- Rear storage bin with all single units



Champagne Finish



Silver Finish



Orion Gray Finish

Item #	Dimensions	Description	Minimum Cabinet Opening	Designed for Cabinet
RV53WC-1535SCDM113	10-7/8"W x 22-1/4"D x 19"H	Single 35 qt., Orion Gray	11-1/2"	Base 15"
RV53WC-1535SCDM112	10-7/8"W x 22-1/4"D x 19"H	Single 35 qt., Champagne	11-1/2"	Base 15"
RV53WC-1535SCDM117	10-7/8"W x 22-1/4"D x 19"H	Single 35 qt., Silver	11-1/2"	Base 15"
RV53WC-1550SCDM113	10-7/8"W x 22-1/4"D x 22-7/8"H	Single 50 qt., Orion Gray	11-1/2"	Full Height Base 15"
RV53WC-1550SCDM112	10-7/8"W x 22-1/4"D x 22-7/8"H	Single 50 qt., Champagne	11-1/2"	Full Height Base 15"
RV53WC-1550SCDM117	10-7/8"W x 22-1/4"D x 22-7/8"H	Single 50 qt., Silver	11-1/2"	Full Height Base 15"
RV53WC-1527SCDM213	11-1/4"W x 22-3/32"D x 18-15/16"H	Double 27 qt., Orion Gray	11-1/2"	Base 15"
RV53WC-1527SCDM212	11-1/4"W x 22-3/32"D x 18-15/16"H	Double 27 qt., Champagne	11-1/2"	Base 15"
RV53WC-1527SCDM217	11-1/4"W x 22-3/32"D x 18-15/16"H	Double 27 qt., Silver	11-1/2"	Base 15"
RV53WC-1835SCDM213	14-3/8"W x 22-1/4"D x 19"H	Double 35 qt., Orion Gray	15"	Base 18"
RV53WC-1835SCDM212	14-3/8"W x 22-1/4"D x 19"H	Double 35 qt., Champagne	15"	Base 18"
RV53WC-1835SCDM217	14-3/8"W x 22-1/4"D x 19"H	Double 35 qt., Silver	15"	Base 18"
RV53WC-2150SCDM213	14-3/4"W x 22-1/4"D x 22-7/8"H	Double 50 qt., Orion Gray	15"	Full Height Base 18"
RV53WC-2150SCDM212	14-3/4"W x 22-1/4"D x 22-7/8"H	Double 50 qt., Champagne	15"	Full Height Base 18"
RV53WC-2150SCDM217	14-3/4"W x 22-1/4"D x 22-7/8"H	Double 50 qt., Silver	15"	Full Height Base 18"



**REV-A-SHELF BOTTOM MOUNT WASTE BIN PULL-OUTS**



**5349 Series Single & Double Trash Pull-Outs**



- Features a sleek anodized aluminum carriage
- Full Extension Soft-Close Slides
- 85 Lb. Weight Rating
- Includes aluminum carriage, slides, trash bin(s) and door mounting brackets

Item #	Description	Product Dimensions
<b>Single Bin Trash Pull-Outs with Soft-Close Slides</b>		
RV5349-15DM-1WH	Single 35QT, Trash Pull-Out, White Bin	10-3/4" W x 21-15/16"D x 19-1/4"H
RV5349-15DM-SILVER	Single 35QT, Trash Pull-Out, Silver Bin	10-3/4" W x 21-15/16"D x 19-1/4"H
RV5349-1550DM-1	Single 50QT, Trash Pull-Out, White Bin	10-3/4" W x 21-15/16"D x 23-1/8"H
RV5349-1550DM-117	Single 50QT, Trash Pull-Out, Silver Bin	10-3/4" W x 21-15/16"D x 23-1/8"H
RV5349-15DM-18	Single 35QT, Trash Pull-Out, White Bin	10-13/16" W x 18" D x 19-5/16"H
RV5349-15DM18-SIL	Single 35QT, Trash Pull-Out, Silver Bin	10-13/16" W x 18" D x 19-5/16"H
<b>Double Bin Trash Pull-Outs with Soft-Close Slides</b>		
RV5349-1527DM	Double 27QT, Trash Pull-Out, White Bins	11-11/16"W x 22-1/4"D x 18-15/16"H
RV5349-1527DM-217	Double 27QT, Trash Pull-Out, Silver Bins	11-11/16"W x 22-1/4"D x 18-15/16"H
RV5349-18DM-WH	Double 35QT, Trash Pull-Out, White Bins	14-13/16"W x 21-7/8"D x 19-1/4"H
RV5349-18DM-SILVER	Double 35QT, Trash Pull-Out, Silver Bins	14-13/16"W x 21-7/8"D x 19-1/4"H
RV5349-2150DM-2	Double 50QT, Trash Pull-Out, White Bins	14-13/16"W x 22-1/8"D x 22-15/16"H
RV5349-2150DM-217	Double 50QT, Trash Pull-Out, Silver Bins	14-13/16"W x 22-1/8"D x 22-15/16"H



**4WCBM Series Single & Double Trash Pull-Outs**



- Features a wood dovetail constructed carriage
- Install into 1-1/2", 1-5/8", and 1-3/4" face frame sizes as well as frameless constructions
- Over-Travel Rev-A-Motion Soft-Open/Soft-Close Slides
- 150 Lb. Weight Rating
- Includes wood carriage, slides, trash bin(s) and door mounting brackets

Item #	Description	Product Dimensions
<b>Single Bin Trash Pull-Outs with Rev-A-Motion Soft-Open/Soft-Close Slides</b>		
RV4WCBM-15DM-1	Single 35QT, Trash Pull-Out, Silver Bin	12" W x 21-3/4"D x 19-1/4"H
RV4WCBM-1550DM	Single 50QT, Trash Pull-Out, Silver Bin	12" W x 21-3/4"D x 23-3/16"H
<b>Double Bin Trash Pull-Outs with Rev-A-Motion Soft-Open/Soft-Close Slides</b>		
RV4WCBM-2430DM	Double 30QT, Trash Pull-Out, Silver Bins	20-1/4" W x 21-3/4"D x 19-1/4"H
RV4WCBM-18DM-2	Double 35QT, Trash Pull-Out, Silver Bins	14-1/4" W x 21-3/4"D x 19-1/4"H
RV4WCBM-2150DM	Double 50QT, Trash Pull-Out, Silver Bins	17-1/4" W x 21-3/4"D x 23-3/16"H

A  
B  
C  
D  
E  
F  
G  
H  
I  
J  
K  
L  
M  
N  
O  
P  
Q  
R  
S  
T  
U  
V  
W  
X  
Y

A  
B  
C  
D  
E  
F  
G  
H  
I  
J  
K  
L  
M  
N  
O  
P  
Q  
R  
S  
T  
U  
V  
W  
X  
Y

**REV-A-SHELF BOTTOM MOUNT WASTE BIN PULL-OUTS**



Orion Gray/Maple



Orion Gray/Walnut



Stainless Steel/Black

**LEGRABOX Trash Pull-Outs**



- Designed for frameless 12", 15" and 18" base cabinets with 3/4" side panels
- Single 30, 35 and 50 qt. and double 35 and 50 qt. polymer containers, black or orion gray
- LEGRABOX frame, orion gray or stainless steel
- Full-extension, LEGRABOX, 155 lb. rated, concealed slides with BLUMOTION soft-close
- Wood insert secures container(s), natural maple w/semi-gloss finish, walnut w/satin finish or painted black MDF
- Fully assembled, just add your door front
- Mounts to cabinet door and side walls
- Includes LEGRABOX door mount brackets
- Includes (1) matching lid\* (\*lids not available for 30 qt. bin)
- TIP-ON or SERVO-DRIVE systems available (sold separately)
- TSCA Title VI compliant

Item #	Dimensions	Description	Min. Cab. Opening	Designed for Frameless Cab.
RV5LB-1230OGMP-113	10-1/2"W x 21-23/32"D x 19-19/32"H	Single 30 qt., Orion Gray/ Maple	10-1/2"	12"
RV5LB-1230OGWN-113	10-1/2"W x 21-23/32"D x 19-19/32"H	Single 30 qt., Orion Gray/ Walnut	10-1/2"	12"
RV5LB-1230SSBL-118	10-1/2"W x 21-23/32"D x 19-19/32"H	Single 30 qt., Stainless Steel/ Black	10-1/2"	12"
RV5LB-1535OGMP-113	13-1/2"W x 21-23/32"D x 20-11/32"H	Single 35 qt., Orion Gray/ Maple	13-1/2"	15"
RV5LB-1535OGWN-113	13-1/2"W x 21-23/32"D x 20-11/32"H	Single 35 qt., Orion Gray/ Walnut	13-1/2"	15"
RV5LB-1535SSBL-118	13-1/2"W x 21-23/32"D x 20-11/32"H	Single 35 qt., Stainless Steel/ Black	13-1/2"	15"
RV5LB-1550OGMP-113	13-1/2"W x 21-23/32"D x 24-7/32"H	Single 50 qt., Orion Gray/ Maple	13-1/2"	15", Full Ht.
RV5LB-1550OGWN-113	13-1/2"W x 21-23/32"D x 24-7/32"H	Single 50 qt., Orion Gray/ Walnut	13-1/2"	15", Full Ht.
RV5LB-1550SSBL-118	13-1/2"W x 21-23/32"D x 24-7/32"H	Single 50 qt., Stainless Steel/ Black	13-1/2"	15", Full Ht.
RV5LB-1835OGMP-213	16-1/2"W x 21-23/32"D x 20-11/32"H	Double 35 qt., Orion Gray/ Maple	16-1/2"	18"
RV5LB-1835OGWN-213	16-1/2"W x 21-23/32"D x 20-11/32"H	Double 35 qt., Orion Gray/ Walnut	16-1/2"	18"
RV5LB-1835SSBL-218	16-1/2"W x 21-23/32"D x 20-11/32"H	Double 35 qt., Stainless Steel/ Black	16-1/2"	18"
RV5LB-1850OGMP-213	16-1/2"W x 21-23/32"D x 24-7/32"H	Double 50 qt., Orion Gray/ Maple	16-1/2"	18", Full Ht.
RV5LB-1850OGWN-213	16-1/2"W x 21-23/32"D x 24-7/32"H	Double 50 qt., Orion Gray/ Walnut	16-1/2"	18", Full Ht.
RV5LB-1850SSBL-218	16-1/2"W x 21-23/32"D x 24-7/32"H	Double 50 qt., Stainless Steel/ Black	16-1/2"	18", Full Ht.
<b>Accessories</b>				
RV5LB-TOKIT-12	3-1/2"W x 9"D x 1-3/4"H	Tip-On Kit for 12" Frameless Cabinet		
RV5LB-TOKIT-15	3-1/2"W x 9"D x 1-3/4"H	Tip-On Kit for 15" Frameless Cabinet		
RV5LB-TOKIT-18	3-1/2"W x 9"D x 1-3/4"H	Tip-On Kit for 18" Frameless Cabinet		
RV5LBSD-KIT-1	-	SERVO-Drive Kit for LEGRABOX		

**REV-A-SHELF BOTTOM MOUNT WASTE BIN PULL-OUTS**



**TWCSC Series Double Trash Pull-Outs**



- Features a white polymer carriage with a wood insert
- Full-Extension Blum Soft-Close Slides
- 150 Lb. Weight Rating
- Includes white polymer/wood carriage, slides, trash bins, and door mounting brackets

Item #	Description	Product Dimensions
<b>Single Bin Trash Pull-Outs with Blum Soft-Close Slides</b>		
RVTWCSC-15DM-1	Single 35QT, Trash Pull-Out, White Bin	12-1/2"W x 22-1/2"D x 19"H
RVTWCSC-1550DM-1	Single 50QT, Trash Pull-Out, White Bin	12-1/2"W x 22-1/2"D x 23"H
<b>Double Bin Trash Pull-Outs with Blum Soft-Close Slides</b>		
RVTWCSC-18DM-2	Double 35QT, Trash Pull-Out, White Bins	15-1/2"W x 22-1/2"D x 19"H
RVTWCSC-21DM-2	Double 35QT, Trash Pull-Out, White Bins	18-1/2"W x 22-1/2"D x 19"H
RVTWCSC-1850DM-2	Double 50QT, Trash Pull-Out, White Bins	15-1/2"W x 22-1/2"D x 23"H



**4WCSC Series Single & Double Trash Pull-Outs**



- Features a maple wood dovetail constructed carriage
- Full-Extension Blum Soft-Close Slides
- 110 Lb. Weight Rating
- Includes maple wood carriage, slides, trash bin(s), and door mounting brackets

Item #	Description	Product Dimensions
<b>Single Bin Trash Pull-Outs with Blum Soft-Close Slides</b>		
RV4WCSC-1532DM16-1	Single 32QT, Silver Bin, Reduced Depth	12"W x 15"D x 19-1/2"H
RV4WCSC-1535DM19	Single 35QT, Silver Bin, Reduced Depth	12"W x 18-5/8"D x 19-1/2"H
RV4WCSC-1535DM	Single 35QT, Silver Bin	12"W x 21-21/32"D x 19-1/2"H
RV4WCSC-1550DM	Single 50QT, Silver Bin	12"W x 21-3/4"D x 23-3/8"H
<b>Double Bin Trash Pull-Outs with Blum Soft-Close Slides</b>		
RV4WCSC-1835DM	Double 35QT, Silver Bins	15"W x 21-3/4"D x 20-3/8"H
RV4WCSC1835DMND-2	Double 35QT, Silver Bins, for Inset Cabinets	15"W x 21-3/4"D x 20-3/8"H
RV4WCSC-2135DM2	Double 35QT, Silver Bins	18"W x 21-3/4"D x 20-3/8"H
RV4WCSC-2150DM	Double 50QT, Silver Bins	18"W x 21-3/4"D x 24-1/4"H

A  
B  
C  
D  
E  
F  
G  
H  
I  
J  
K  
L  
M  
N  
O  
P  
Q  
R  
S  
T  
U  
V  
W  
X  
Y

**A REV-A-SHELF BOTTOM MOUNT WASTE BIN PULL-OUTS**

B  
C  
D  
E  
F  
G  
H  
I  
J  
K  
L  
M  
N  
O  
P  
Q  
R  
S  
T  
U  
V  
W  
X  
Y



**4WCSD Series Double Trash Pull-Outs**



- Features a maple wood dovetail constructed carriage
- Featuring Blum Servo-Drive, touch-to-open
- Full-Extension Blum Soft-Close Slides
- 110 Lb. Weight Rating
- Includes maple wood carriage, slides, trash bins, and door mounting brackets

Item #	Description	Product Dimensions
<b>Single Bin Trash Pull-Outs with Blum Soft-Close Slides and Servo-Drive Touch-To-Open</b>		
RV4WCSD-1535DM	Single 35QT, Trash Pull-Out, Silver Bins	12"W x 22-1/2"D x 19-1/2"H
RV4WCSD-1550DM	Single 50QT, Trash Pull-Out, Silver Bins	12"W x 22-1/2"D x 23-3/8"H
<b>Double Bin Trash Pull-Outs with Blum Soft-Close Slides and Servo-Drive Touch-To-Open</b>		
RV4WCSD-1835DM	Double 35QT, Trash Pull-Out, Silver Bins	15"W x 22-1/2"D x 19-1/2"H
RV4WCSD-2150DM	Double 50QT, Trash Pull-Out, Silver Bins	18"W x 22-1/2"D x 24-1/4"H

**Trash Pull-Outs with Walnut Carriages & Orion Gray Bins**



Available in Single and Double 35 and 50 Quart

Pre-assembled door mount  
Orion Gray brackets

Item #	Description	Dimensions
<b>Single Trash Pull-Outs with Lid, Blum Movento Soft-Close, Walnut Carriages, Orion Gray Bin Finish</b>		
RV4WC-WN-15DM1-SC	35 Quart	12"W x 22-1/8"D x 19-1/4"H
RV4WCWN1550DM1-SC	50 Quart	12"W x 22-1/8"D x 23-3/8"H
<b>Double Trash Pull-Outs with Lid, Blum Movento Soft-Close, Walnut Carriages, Orion Gray Bin Finish</b>		
RV4WC-WN-18DM2-SC	35 Quart	15"W x 22-1/8"D x 19-1/4"H
RV4WCWN2150DM2-SC	50 Quart	15"W x 22-1/8"D x 23-3/8"H

**REV-A-SHELF BOTTOM MOUNT WASTE BIN PULL-OUTS**



**4WC Series Single & Double Trash Pull-Outs**



- Solid maple carriage construction
- 150 Lb. Weight Rating
- Includes wood carriage, slides, trash bin(s) and door mounting brackets

Item #	Description	Product Dimensions
<b>Single Bin Trash Pull-Out with Full Extension Ball Bearing Standard-Close Slides</b>		
A	RV4WC-15DM1 Single 35QT, Trash Pull-Out, White Bin	11-1/4"W x 21-3/4"D x 19-1/4"H
<b>Double Bin Trash Pull-Out with Full Extension Ball Bearing Standard-Close Slides</b>		
B	RV4WC-18DM2 Double 30QT, Trash Pull-Out, White Bins	14-1/4"W x 21-3/4"D x 19-1/4"H
<b>Double Bin Trash Pull-Outs with Blum Tandem Soft-Close Slides</b>		
C	RV4WC-24DM2SC Double 30QT, Trash Pull-Out, Silver Bins	20-31/32"W x 22-1/4"D x 19-5/8"H

A  
B  
C  
D  
E  
F  
G  
H  
I  
J  
K  
L  
M  
N  
O  
P  
Q  
R  
S  
T  
U  
V  
W  
X  
Y



**5BBSC Series Recycling Trash Pull-Outs Triple 25QT, Trash Pull-Out**



- Features a metal carriage
- Full-Extension Soft-Close Slides
- 150 Lb. Weight Rating
- Includes metal carriage, slides, trash bins, and door mounting brackets

Item #	Description	Product Dimensions
RV5BBSC-WMDM24-C	Blue/Green/Yellow Bins & One Machine Wash Canvas Bag	20"W x 22-1/8"D x 20-1/8"H
RV5BBSC-WMDM24-W	White Bins & One Machine Washable Canvas Bag	20"W x 22-1/8"D x 20-1/8"H

**A REV-A-SHELF BOTTOM MOUNT WASTE BIN PULL-OUTS**



A



B

**Sink Base Trash Pull-Out w/Soft-Close**



- Rev-A-Shelf's 5SBWC Series
- Designed for 24" and larger sink base cabinets
- Full-extension, under mount, 75 lb. rated, concealed slides with soft-close
- Mounts to cabinet floor
- Door mounting kit sold separately

Item #	Description	Dimensions
<b>Sink Base Trash Pull-Outs w/Soft-Close</b>		
A	RV5SBWC-815S-1 (1) 15 Liter Sliver Bin (White Lid) & (1) 8 Liter Silver Bin (Green Lid),	8-15/16"W x 18-5/8"D x 14-1/4"H
B	RV5SBWCC-8S-1 (1) 8 Liter Silver Bin (Green Lid) & (2) 1 Liter Spray Bottles	8-15/16"W x 18-5/8"D x 14-1/4"H



RV8-010212-14  
RV80104WH

RV80103SS



RV87004WH

**Pivot Plastic & Stainless Steel Bins**



- Waste containers open with door and feature self opening/closing lid
- For minimum interior lid clearance add 4" to product height dimension
- Includes: Inner polymer container with built-in handle

Item #	Dimensions	Min. Opening Width	Bin Description
RV8-010212-14	11"W x 10-1/2"D x 17-1/8"H	13-3/4"	White Lacquer 14 Liter, w/Lid
RV80104WH	11-3/4"W x 11"D x 17"H	14-3/4"	White Lacquer 15 Liter, w/Lid
RV80103SS	11-3/4"W x 11"D x 17"H	14-3/4"	Stainless Steel 15 Liter, w/Lid
RV87004WH	15-3/4" W x 7-1/4" D x 18"H	17-1/2"	White Plastic 20 Liter, w/Lid

## REV-A-SHELF BOTTOM MOUNT WASTE BIN PULL-OUTS

### Compo+ Pull-Outs

- Bottom mount carriages offered in wire, aluminum, or maple
- Available in (4) color options: black, green, orion gray, or white
- Compo+ bins have a 6-gallon capacity
- Odor reducing mechanism that opens when the lid is raised and seals when the lid is closed
- A removable no-mess waste carriage inside the the Compo+ bin
- (12) compostable liners
- (2) carbon filters that eliminate odors
- Air vent to help speed the compost process



**How It Works**

(Lid opening and closing - will open and close bag)



	<b>Black Bin Item #</b>	<b>Green Bin Item #</b>	<b>Orion Gray Bin Item #</b>	<b>White Bin Item #</b>	<b>Description</b>
<b>RV White Wire Bottom Mount Compost Pull-Out w/Full Extension Slides, Size: 12"W x 16"D x 18-3/4"H</b>					
A	RVRV-1216-CKBK	RVRV-1216-CKGR	RVRV-1216-CKOG	RVRV-1216-CKWH	(1) Compo+ Bin
<b>Aluminum Bottom Mount Compost Pull-Out w/Soft-Close Slides, Size: 10-13/16"W x 18"D x 19-5/16"H</b>					
B	RV5349-15CKBK	RV5349-15CKGR	RV5349-15CKOG	RV5349-15CKWH	(1) Compo+ Bin
<b>Aluminum Bottom Mount Compost Pull-Out w/Soft-Close Slides, Size: 14-13/16"W x 22-3/16"D x 19-1/16"H</b>					
C	RV5349-18CKBK	RV5349-18CKGR	RV5349-18CKOG	RV5349-18CKWH	(1) Compo+ Bin & (1) 35QT Regular White Trash Bin
<b>Maple Bottom Mount Compost Pull-Out w/Soft-Close Slides, Size: 12"W x 18-5/8"D x 19-1/2"H</b>					
D	RV4WCSC-CKBK	RV4WCSC-CKGR	RV4WCSC-CKOG	RV4WCSC-CKWH	(1) Compo+ Bin
<b>Maple Bottom Mount Compost Pull-Out w/Soft-Close Slides, Size: 15"W x 21-3/4"D x 20-3/8"H</b>					
E	RV4WCSC-1835CKBK	RV4WCSC-1835CKGR	RV4WCSC-1835CKOG	RV4WCSC-1835CKWH	(1) Compo+ Bin & (1) 35QT Regular White Trash Bin



F



G



H

#### Accessories

	<b>Item #</b>	<b>Description</b>
F	RVDMKITWH	Heavy Duty Door Mount Kit
G	RVCP-BAG-1	Replacement Compost Bags (1 Roll has 12 Bags)
H	RVCP-FILTER-1	Replacement Charcoal Filter (2 Filters Per Pack)

**REV-A-SHELF TOP MOUNT WASTE BIN PULL-OUTS**



**4WCTM Series Single & Double Trash Pull-Outs**



- Features a solid maple wood carriage
- Over-Travel Standard-Close Slides
- Single 35QT Trash Pull-Outs include a short polymer bin
- Includes wood carriage, slides, trash bin(s), and door mounting brackets
- 150 Lb. Weight Rating

Item #	Description	Product Dimensions
<b>1-1/2" Face Frame, Top Mount Trash Pull-Outs</b>		
RV4WCTM-12DM1	Single 35QT, Trash Pull-Out, White Bin	12"W x 22-3/4"D x 17-7/8"H
RV4WCTM-1550DM1	Single 50QT, Trash Pull-Out, White Bin	12"W x 23-1/4"D x 21-3/4"H
RS4WCTM-15DM2	Double 27QT, Trash Pull-Out, White Bins	12"W x 23-1/4"D x 17-3/4"H
RV4WCTM-18DM2	Double 35QT, Trash Pull-Out, White Bins	15"W x 22-1/2"D x 17-7/8"H
RV4WCTM-2150DM2	Double 50QT, Trash Pull-Out, White Bins	18"W x 23-1/4"D x 21-3/4"H
RV4WCTM-1850DM1	Single 50QT, Trash Pull-Out, White Bin	15"W x 23-1/4"D x 21-3/4"H
RV4WCTM-21DM2	Double 35QT, Trash Pull-Out, White Bins	18"W x 22-3/4"D x 17-7/8"H
RV4WCTM-24DM2	Double 35QT, Trash Pull-Out, White Bins	21"W x 22-3/4"D x 17-7/8"H
RV4WCTM-27	Quad 27QT, Trash Pull-Out, White Bins	24"W x 23-1/4"D x 18"H
<b>1-1/2" Face Frame - Reduced Depth, Top Mount Trash Pull-Outs</b>		
RV4WCTM-1516DM1	Single 35QT, Trash Pull-Out, Silver Bin	12"W x 16-7/16"D x 18"H
RV4WCTM-1816DM1	Single 35QT, Trash Pull-Out, Silver Bin	15"W x 16-1/4"D x 18"H
<b>1-5/8" Face Frame, Top Mount Trash Pull-Outs</b>		
RV4WCTM-12DM1-162	Single 35QT, Trash Pull-Out, White Bin	11-3/4"W x 22-3/4"D x 17-7/8"H
RV4WCTM-15DM2-162	Double 27QT, Trash Pull-Out, White Bins	11-3/4"W x 23-1/4"D x 17-7/8"H
RV4WCTM-18DM2-162	Double 35QT, Trash Pull-Out, White Bins	14-3/4"W x 22-3/4"D x 17-7/8"H
RV4WCTM-21DM2-162	Double 35QT, Trash Pull-Out, White Bins	17-3/4"W x 22-3/4"D x 17-7/8"H
RV4WCTM-24DM2-162	Double 35QT, Trash Pull-Out, White Bins	20-3/4"W x 22-3/4"D x 17-7/8"H
RV4WCTM-1818DM2	Single 35QT, Trash Pull-Out, White Bin	14-3/4"W x 17-7/8"D x 17-7/8"H
<b>1-3/4" Face Frame, Top Mount Trash Pull-Outs</b>		
RV4WCTM-12DM1-175	Single 35QT, Trash Pull-Out, White Bin	11-1/2"W x 22-1/4"D x 17-7/8"H
RV4WCTM-18DM2-175	Double 35QT, Trash Pull-Out, White Bins	14-1/2"W x 22-1/4"D x 17-7/8"H
<b>Frameless, Top Mount Trash Pull-Outs</b>		
RV4WCTM12DM1343FL	Single 35QT, Trash Pull-Out, White Bin	13-1/2"W x 22-3/4"D x 17-7/8"H
RV4WCTM-1550DM-FL	Single 50QT, Trash Pull-Out, White Bin	13-1/2"W x 23-1/4"D x 21-3/4"H
RV4WCTM-15DM2-343	Double 27QT, Trash Pull-Out, White Bins	13-1/2"W x 23-1/4"D x 17-3/4"H
RV4WCTM-18DM2-419	Double 35QT, Trash Pull-Out, White Bins	16-1/2"W x 22-3/4"D x 17-7/8"H
RV4WCTM-1850DM2-FL	Double 50QT, Trash Pull-Out, White Bins	16-1/2"W x 23-1/4"D x 21-3/4"H
RV4WCTM-21DM2-495	Double 50QT, Trash Pull-Out, Silver Bins	19-1/2"W x 23-1/4"D x 17-3/4"H
RV4WCTM-27-4-597	Quad 27QT, Trash Pull-Out, White Bins	25-1/2"W x 23-1/4"D x 17-3/4"H
<b>Inset</b>		
RV4WCTM-12INDM-1	Single 35QT, Trash Pull-Out, White Bins	12"W x 22-1/8"D x 17-7/8"H
RV4WCTM-18INDM-2	Double 35QT, Trash Pull-Out, White Bins	15"W x 22-1/8"D x 17-7/8"H
<b>Accessory</b>		
RV4WCTM-SP-KIT	Use for Custom Face Frame Installations	1-1/2"W x 22-7/16"D x 2-7/16"H



## REV-A-SHELF TOP MOUNT WASTE BIN PULL-OUTS



### 4WCTM-BBSC Series Single & Double Trash Pull-Outs



- Features a solid maple wood carriage
- 150 Lb. Weight Rating
- Includes wood carriage, slides, trash bin(s), and door mounting brackets
- 1-1/2" Over-Travel Ball Bearing Soft-Close Slides
- Single 35QT Trash Pull-Outs include a short polymer bin

Item #	Description	Product Dimensions
RV4WCTM-12BBSCDM	Single 35QT, Trash Pull-Out, Silver Bin	12"W x 22-3/4"D x 17-7/8"H
RV4WCTM-1550BBSCDM	Single 50QT, Trash Pull-Out, Silver Bin	12"W x 23-1/4"D x 21-3/4"H
RV4WCTM-15BBSCDM2	Double 27QT, Trash Pull-Out, Silver Bins	12"W x 23-1/4"D x 17-3/4"H
RV4WCTM-18BBSCDM2	Double 35QT, Trash Pull-Out, Silver Bins	15"W x 22-3/4"D x 17-7/8"H
RV4WCTM-2150BBSCDM	Double 50QT, Trash Pull-Out, Silver Bins	18"W x 23-1/4"D x 21-3/4"H



### 4WCTM-RM Series Single & Double Trash Pull-Outs



- Features a wood carriage with dovetail construction
- 1" Over-Travel Rev-A-Motion Soft-Open/Soft-Close Slides
- Includes wood carriage, slides, trash bin(s), and door mounting brackets
- Unique adjustable bracket is designed for 1-1/2", 1-5/8", 1-3/4"
- 150 Lb. Weight Rating

Item #	Description	Product Dimensions
RV4WCTM-RM-1835	Single 35QT, Trash Pull-Out, Silver Bin	15-1/4"W x 21-3/4"D x 21"H
RV4WCTM-RM-1850	Single 50QT, Trash Pull-Out, Silver Bin	15-1/4"W x 21-3/4"D x 24-3/4"H
RV4WCTM-RM-2135	Double 35QT, Trash Pull-Out, Silver Bins	18-1/4"W x 21-3/4"D x 21"H
RV4WCTM-RM-2150	Double 50QT, Trash Pull-Out, Silver Bins	18-1/4"W x 21-3/4"D x 24-3/4"H



### Top Mount Trash Pull-Outs Limited Space Application



- Rev-A-Shelf 8-785 Series trash pull-outs are designed for under sink applications and fit conveniently in limited space applications
- Fully assembled and install with four screws
- Unit has 75 lb. weight capacity
- Waste bins are stainless steel and have built in handle

	Item #	Dimensions	Bin Description
<b>Double Stainless Steel Bin - Under Sink Mount, Full Extension Slide</b>			
A	RV8-785-30-2SS	10-1/4"W x 18-3/4"D x 15-3/16"H	(1) 10 Liter, (1) 20 Liter, No Lid
<b>Double Stainless Steel Bin - Full Extension Slide With Door Mount Bracket</b>			
B	RV8-785-30-DM2SS	10-1/4"W x 18-3/4"D x 15-3/16"H	(1) 10 Liter, (1) 20 Liter, No Lid

A



B

**REV-A-SHELF TOP MOUNT WASTE BIN PULL-OUTS**



**Steel Top Mount Trash Pull-Out w/Soft Close Frameless Cabinets**



- Rev-A-Shelf's 53TM Series
- Designed for Frameless Cabinets widths: 18", 24", 450mm, and 600mm
- Designed for Frameless Base Cabinets with 5/8", 3/4", 15mm, and 18mm Side Walls
- Powder-coated metal frame w/pre-assembled door mount brackets
- 90 Lb. Rated Full-Extension Slides w/Soft-Close and 1-1/2" Over-Travel
- 8Qt Bins for Compost Material
- Includes a Built-In Metal Lid



Item #	Cabinet Application	Dimensions
<b>Steel Top Mount Trash Pull-Out w/Soft Close &amp; Built-In Metal Lid - (2) 35Qt Bins</b>		
A RV53TM1835GSCDM2FL	18" Frameless Cabinet	16-7/32" - 16-27/32"W x 21-11/16"D x 19"H
<b>Steel Top Mount Trash Pull-Out w/Soft Close &amp; Built-In Metal Lid - (2) 50Qt Bins</b>		
B RV53TM1850GSCDM2FL	18" Frameless Cabinet	16-7/32" - 16-27/32"W x 21-11/16"D x 23"H
<b>Steel Top Mount Trash Pull-Out w/Soft Close &amp; Built-In Metal Lid - (1) 35Qt Bin &amp; (2) 8Qt Bins</b>		
C RV53TM-18GSCDM3-FL	18" Frameless Cabinet	16-7/32" - 16-27/32"W x 21-11/16"D x 19"H
<b>Steel Top Mount Trash Pull-Out w/Soft Close &amp; Built-In Metal Lid - (2) 35Qt Bins &amp; (2) 8Qt Bins</b>		
D RV53TM-24GSCDM4-FL	24" Frameless Cabinet	22-1/8" - 22-3/4"W x 21-11/16"D x 23"H



**Top Mount Trash Pull-outs w/Walnut Carriages & Orion Gray Bins**



- Features patented Rev-A-Motion Soft-open/Soft-close slide system
- Rear adjustable mounting bracket and pre-assembled door mount
- Adjustable door mount brackets for perfect fit

Single 50 Qt. Top Mount

Double 50 Qt. Top Mount

Item #	Description	Dimensions	Cabinet Application
<b>Single Top Mount Trash Pull-Out with Rev-A-Motion Soft-Open / Soft-Close, Walnut Carriages and Orion Gray Bins</b>			
RV4WCTMWNRM1850DM	50 Quart	15-1/4"W x 21-3/4"D x 24-3/4"H	Frameless Cabinet Min. Wall to Wall: 15-1/4"W
<b>Double Top Mount Trash Pull-Out with Rev-A-Motion Soft-Open / Soft-Close, Walnut Carriages and Orion Gray Bins</b>			
RV4WCTMWNRM2150DM	50 Quart	18-1/4"W x 21-3/4"D x 24-3/4"H	Frameless Cabinet Min. Wall to Wall: 18-1/4"W

## REV-A-SHELF REPLACEMENT WASTE BINS

### Bins, Lids & Door Mount Kits



**Important Note:** Lids will add to the height of the waste containers. It is recommended adding 1" of height to the product you are using. Take this into account when measuring your cabinet.



A

Bins				
Item # Sold In Per Each	Item # Sold In Per 8/Box	Description	Bin Cap.	Bin Color
RVRV-20-6	-	8-3/8"W x 14-1/4"D x 15"H	20 qt.	White
RVRV-1024-17	-	11"W x 10-7/8"D x 17-3/4"H	27 qt.	Silver
RV6700-61AL	-	9-3/8"W x 15-3/8"D x 17-7/8"H	30 qt.	Almond
RV6700-61WH	-	9-3/8"W x 15-3/8"D x 17-7/8"H	30 qt.	White
A RV35-18	-	14-3/8"W x 10-1/2"D x 17-7/8"H	35 qt.	Black
RV35-52	RV35-8	14-3/8"W x 10-1/2"D x 17-7/8"H	35 qt.	White
RV-35-12-1	-	14-3/8"W x 10-1/2"D x 17-7/8"H	35 qt.	Champagne
RV35-SIL	RV35-8-SIL	14-3/8"W x 10-1/2"D x 17-7/8"H	35 qt.	Silver
RV50-8	-	14-3/4"W x 10-3/4"D x 21-3/4"H	50 qt.	White
RV50-CHP	-	14-3/4"W x 10-3/4"D x 21-3/4"H	50 qt.	Champagne
RV50-17	-	14-3/4"W x 10-3/4"D x 21-3/4"H	50 qt.	Silver

#### RV4WCTM Series Replacement 4.25 QT Bins for 4WCTM Series

White Item #	Almond Item #	Silver Item #	Bin Size	Bin Capacity
RV4TMBIN	RV4TMBIN-15	RV4TMBIN-17	10-3/8"W x 7-3/8"D x 6-3/8"H	4.25 qt.



B

Lids				
Item #	Lid Size	Fits Bin Size	Lid Color	
RV-35-LID-WH	10-11/32"W x 14-1/8"D x 7/8"H	35 qt.	White	
RV-35-LID-CHP	10-11/32"W x 14-1/8"D x 7/8"H	35 qt.	Champagne	
RV-35-LID-SIL	10-11/32"W x 14-1/8"D x 7/8"H	35 qt.	Silver	
B RV-35-LID-BK	10-11/32"W x 14-1/8"D x 7/8"H	35 qt.	Black	
RV-35-LID-GN	10-11/32"W x 14-1/8"D x 7/8"H	35 qt.	Green	
RV-50-LID-WH	10-11/16"W x 14-3/4"D x 7/8"H	50 qt.	White	
RV-50-LID-CHP	10-11/16"W x 14-3/4"D x 7/8"H	50 qt.	Champagne	
RV-50-LID-SIL	10-11/16"W x 14-3/4"D x 7/8"H	50 qt.	Silver	
RV-50-LID-GN	10-11/16"W x 14-3/4"D x 7/8"H	50 qt.	Green	

C



Heavy Duty Door Mount Kits, RV Series			
Item #	Slide Weight Rating	Finish	
C RVDMMKITWH	(2) Product Members, (1) Set-Door Brackets (1 Left & 1 Right), (2) 1/4" X 1/2" Bolts, (2) Bolts w/Washers, (4) #10x1/2" Truss Head Screws, (4) Nylock Nuts	White	
RVDM17-KIT	(2) Product Members, (1) Set-Door Brackets (Left & Right), (2) 1/4" X 1/2" Bolts, (2) Bolts w/Washers, (4) #10x1/2" Truss Head Screws, (4) Nylock Nuts	Silver Epoxy	

**A REV-A-SHELF FULL CIRCLE LAZY SUSANS**



**Full Circle Shaped Plastic Lazy Susans, Lazy Daisy Two & Three Shelf Sets**



- Rev-A-Shelf's Economy Line, Lazy Daisy
- Independently Rotating
- Features snap pin hardware for easy installation
- Unique ribbed tray surface provides increased stability
- Two shelf set with telescoping shaft for interior cabinet heights of 26"-31"
- Three shelf set with telescoping shaft for interior cabinet heights of 34"-41"

	Item #	Description	Shelf Size
<b>Two &amp; Three Shelf Sets (Includes Hardware)</b>			
A	RVLD-2062-1811	Two Shelf Set	18" Dia.
	RVLD-2062-2411	Two Shelf Set	24" Dia.
	RVLD-2062-2811	Two Shelf Set	28" Dia.
	RVLD-2062-3211	Two Shelf Set	32" Dia.
B	RVLD-2063-1836	Three Shelf Set	18" Dia.

A  
B  
C  
D  
E  
F  
G  
H  
I  
J  
K  
L  
M  
N  
O  
P  
Q  
R  
S  
T  
U  
V  
W  
X  
Y

**Full Circle Shaped Plastic Lazy Susans, Value Line Two & Three Shelf Sets**



- Rev-A-Shelf's Value Line-3000 Series
- Independently Rotating
- Made of double wall polymer and sturdy rib construction for maximum strength
- Molded polymer hubs and steel shafts with "Twist-N-Lock" telescoping post
- Two shelf set with a telescoping shaft for interior cabinet heights of 26" to 31"
- Three shelf set with telescoping shaft for interior cabinet heights of 31" - 38"
- Three shelf set with a telescoping shaft for interior cabinet heights of 38" to 46"
- 1"H shelf lip

A



B

	Item # Sold By The Set	Description	Shelf Size	Sold In
A	RV3072-18WH	Two Shelf Set w/Telescoping Shaft (26"-31") & Hdw.	18" Dia.	1 Set
	RV3072-20WH	Two Shelf Set w/Telescoping Shaft (26"-31") & Hdw.	20" Dia.	1 Set
	RV3072-24WH	Two Shelf Set w/Telescoping Shaft (26"-31") & Hdw.	24" Dia.	1 Set
	RV3072-28WH	Two Shelf Set w/Telescoping Shaft (26"-31") & Hdw.	28" Dia.	1 Set
	RV3072-18WHB	Two Shelf Set w/Telescoping Shaft (26"-31") & Hdw.	18" Dia.	6 Sets Per Box
	RV3072-24WHB	Two Shelf Set w/Telescoping Shaft (26"-31") & Hdw.	24" Dia.	6 Sets Per Box
	RV3072-28WHB	Two Shelf Set w/Telescoping Shaft (26"-31") & Hdw.	28" Dia.	6 Sets Per Box
B	RV3073-18-11-531	Three Shelf Set w/Telescoping Shaft (31"-38") & Hdw.	18" Dia.	1 Set
	RV3073-20WH-31	Three Shelf Set w/Telescoping Shaft (31"-38") & Hdw.	20" Dia.	1 Set
	RV3073-18-11-536	Three Shelf Set w/Telescoping Shaft (38"-46") & Hdw.	18" Dia.	1 Set
	RV3073-20WH-36	Three Shelf Set w/Telescoping Shaft (38"-46") & Hdw.	20" Dia.	1 Set

## REV-A-SHELF FULL CIRCLE LAZY SUSANS

### Full Circle Shaped Plastic Lazy Susans, Premium Two Shelf Sets, Three Shelf Sets & Bulk Packs



- Rev-A-Shelf 6001, 6012 and 6013 Series
- Features a 3/4" zinc diameter shaft for durability
- Two shelf set w/telescoping shaft for interior cabinet heights of 24" - 31"
- Three shelf set w/telescoping shaft for interior cabinet height of 38" - 46"
- 1"H shelf lip
- **Dependently Rotating**

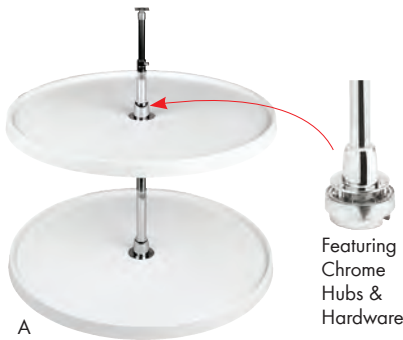


A  
B  
C  
D  
E  
F  
G  
H  
I  
J  
K  
L  
M  
N  
O  
P  
Q  
R  
S  
T  
U  
V  
W  
X  
Y

	White Item #	Almond Item #	Description	Shelf Size	Sets per Box
<b>Two &amp; Three Shelf Sets (Includes Hardware)</b>					
A	RV6012-18WH	RV6012-18AL	Two Shelf Set	18" Dia.	1
	RV6012-20WH	RV6012-20AL	Two Shelf Set	20" Dia.	1
	RV6012-24WH	RV6012-24AL	Two Shelf Set	24" Dia.	1
	RV6012-28WH	RV6012-28AL	Two Shelf Set	28" Dia.	1
B	RV6013-18WH	RV6013-18AL	Three Shelf Set	18" Dia.	1
	RV6013-20WH	RV6013-20AL	Three Shelf Set	20" Dia.	1
<b>Single Shelf Only - Bulk Pack</b>					
C	RV6001-18WHB	RV6001-18ALB	Single Shelf - Bulk	18" Dia.	12
	RV6001-20WHB	RV6001-20ALB	Single Shelf - Bulk	20" Dia.	12
	RV6001-24WHB	RV6001-24ALB	Single Shelf - Bulk	24" Dia.	12
	RV6001-28WHB	RV6001-28ALB	Single Shelf - Bulk	28" Dia.	12

	Item #	Description	Sets per Box
<b>Telescoping Shafts</b>			
D	RV6022	Telescoping Shaft (For 2 Shelf Set) 24" - 31"H Adjustment	6
	RV6022-04-426	Telescoping Shaft (For 3 Shelf Set) 38" - 46"H Adjustment	1

**A REV-A-SHELF FULL CIRCLE LAZY SUSANS**



Featuring Chrome Hubs & Hardware



**Full Circle Shaped Plastic Lazy Susans Premium Two & Three Shelf Sets**



- Rev-A-Shelf 6072/6073 Series best performing plastic shelf unit incorporating 5" post and pivot chrome plated hardware set for a smooth and finished look
- Two shelf set with telescoping shaft for interior cabinet heights of 26" - 32"
- Three shelf set with telescoping shaft for interior cabinet heights of 28" - 46"
- 1" dia. chrome plated shaft with height adjustments
- Shelf lip is 1" high
- **Independently Rotating**

	White Item #	Almond Item #	Description	Shelf Size
<b>Two Shelf Sets (Includes Hardware &amp; Telescoping Shaft 26" - 32")</b>				
A	RV6072-16-11	RV6072-16-15	Two Shelf Set w/Hardware	16" Dia.
	RV6072-18-11	RV6072-18-15	Two Shelf Set w/Hardware	18" Dia.
	RV6072-20-11	RV6072-20-15	Two Shelf Set w/Hardware	20" Dia.
	RV6072-24-11	RV6072-24-15	Two Shelf Set w/Hardware	24" Dia.
	RV6072-28-11	RV6072-28-15	Two Shelf Set w/Hardware	28" Dia.
	RV6072-32-11	RV6072-32-15	Two Shelf Set w/Hardware	32" Dia.
<b>Three Shelf Sets (Includes Hardware &amp; Telescoping Shaft 28" - 46")</b>				
B	RV6073-18-11-536	RV6073-18-15-536	Three Shelf Set w/Hardware	18" Dia.
	RV6073-20-11-536	RV6073-20-15-536	Three Shelf Set w/Hardware	20" Dia.

**Full Circle Shaped Wood Lazy Susans, Lazy Daisy Premium Two & Three Shelf Sets**



A



B

- Rev-A-Shelf's Premium Line, Lazy Daisy Natural Wood Series
- Independently Rotating
- Steam bent rim
- Doweled (2) butt joint
- Tray size: 1/2" W x 2-3/8"H with 5/8" thick maple plywood bottoms
- 5/8" thick maple plywood bottoms

	Item #	Description	Shelf Size
<b>Two &amp; Three Shelf Sets (Includes Hardware)</b>			
A	RVLD-4NW-072-18	Two Shelf Set	18" Dia.
	RVLD-4NW-072-24	Two Shelf Set	24" Dia.
	RVLD-4NW-072-28	Two Shelf Set	28" Dia.
	RVLD-4NW-072-32	Two Shelf Set	32" Dia.
B	RVLD-4NW-073-1836	Three Shelf Set	18" Dia.

**REV-A-SHELF FULL CIRCLE LAZY SUSANS**



**Full Circle Shaped Wood Lazy Susans  
Lazy Daisy Single Shelf w/Bearing,  
Two Shelf Sets & Three Shelf Sets**

- Rev-A-Shelf's Economy Line, Lazy Daisy Banded Wood Series
- Independently Rotating
- 5/8"W x 2"H Maple plywood rim with 5/8" thick bottom
- Single shelf with steel bearing attached offered in single and bulk packs
- Two shelf set with telescoping shaft for interior cabinet heights of 26" - 31"
- Three shelf set with telescoping shaft for interior cabinet heights of 38" - 46"
- LD4BW-062 Series includes RAS "Value Line" hardware: plastic hubs, plastic top/bottom brackets, plastic shelf supports and zinc plated twist/lock shaft
- LD4BW-001 Series Trays include a steel bearing that has a sub panel attached and that sub panel has an access hole for easy installation



A



Single Shelf with Steel Bearing Back view



B



C

Item #	Description	Shelf Size	Box Qty	
<b>Single Shelf with Steel Bearings</b>				
A	RVLD-4BW-001-18SB	Single Shelf with Steel Bearing (Without Stop)	18" Dia.	1
	RVLD-4BW-001-20SB	Single Shelf with Steel Bearing (Without Stop)	20" Dia.	1
	RVLD-4BW-001-24SB	Single Shelf with Steel Bearing (Without Stop)	24" Dia.	1
	RVLD-4BW-001-28SB	Single Shelf with Steel Bearing (Without Stop)	28" Dia.	1
	RVLD-4BW-001-32SB	Single Shelf with Steel Bearing (Without Stop)	32" Dia.	1
<b>Two &amp; Three Shelf Sets (Includes Hardware)</b>				
B	RVLD-4BW-062-18	Two Shelf Set w/Hardware	18" Dia.	1
	RVLD-4BW-062-20	Two Shelf Set w/Hardware	20" Dia.	1
	RVLD-4BW-062-24	Two Shelf Set w/Hardware	24" Dia.	1
	RVLD-4BW-062-28	Two Shelf Set w/Hardware	28" Dia.	1
	RVLD-4BW-062-32	Two Shelf Set w/Hardware	32" Dia.	1
C	RVLD-4BW-063-1836	Three Shelf Set w/Hardware	18" Dia.	1
	RVLD-4BW-063-2036	Three Shelf Set w/Hardware	20" Dia.	1

A  
B  
C  
D  
E  
F  
G  
H  
I  
J  
K  
L  
M  
N  
O  
P  
Q  
R  
S  
T  
U  
V  
W  
X  
Y

**A REV-A-SHELF FULL CIRCLE LAZY SUSANS**



**Full Circle Shaped Wood Lazy Susan, Premium Single Shelf Blanks**



- Trays are not drilled with a hole
- Independently Rotating
- Aluminum swivel bearing sold separately

Each Item #	Description	Shelf Size
<b>Single Shelf Only, Not Drilled &amp; No Hardware</b>		
RV4WLS001-18	Full Circle Single Shelf Only	18" Dia.
RV4WLS001-20	Full Circle Single Shelf Only	20" Dia.
RV4WLS001-22-52	Full Circle Single Shelf Only	22" Dia.
RV4WLS001-28	Full Circle Single Shelf Only	28" Dia.
RV4WLS001-32	Full Circle Single Shelf Only	32" Dia.
<b>Aluminum Swivel Bearings</b>		
RV4B-7-1	Alu. Bottom Mount Swivel Bearing, without stop	7" Dia.
RV4B-10-1	Alu. Bottom Mount Swivel Bearing, without stop	10" Dia.



**Full Circle Shaped Wood Lazy Susans Premium Single Shelf w/Aluminum Bearing**



- Kit Includes (1) Wood Full Circle Lazy Susan Shelf and (1) Attached Aluminum Swivel Bearing without Stop
- Independently Rotating
- 10", 18", & 20" diameter shelves include 7" attached aluminum swivel bearing
- 28" & 32" diameter shelves include 10" attached aluminum swivel bearing

Each Item #	Description	Shelf Size
RV4WLS001-10-B52	Single Shelf w/Aluminum Bearing (Without Stop)	10" Dia.
RV4WLS001-18-B	Single Shelf w/Aluminum Bearing (Without Stop)	18" Dia.
RV4WLS001-20-B52	Single Shelf w/Aluminum Bearing (Without Stop)	20" Dia.
RV4WLS001-28-B	Single Shelf w/Aluminum Bearing (Without Stop)	28" Dia.
RV4WLS001-32-B	Single Shelf w/Aluminum Bearing (Without Stop)	32" Dia.



## REV-A-SHELF FULL CIRCLE LAZY SUSANS



### Full Circle Shaped Wood Lazy Susans Premium Two & Three Shelf Sets



- 1-5/8" Solid Wood Frame, Finger Joint, 5/8" Thick Maple Bottom
- Independently Rotating
- Two Shelf Set Includes Telescoping Shaft, Adj 26" - 32"H
- Three Shelf Set Includes Telescoping Shaft, Adj 38" - 46"H



Item #	Description	Shelf Size
<b>Two Shelf Set</b>		
A	RV4WLS072-18	Two Shelf Set with hardware
	RV4WLS072-20-52	Two Shelf Set with hardware
	RV4WLS072-22	Two Shelf Set with hardware
	RV4WLS072-28	Two Shelf Set with hardware
	RV4WLS072-32	Two Shelf Set with hardware
<b>Three Shelf Set</b>		
B	RV4WLS073-18-536	Three Shelf Set with hardware
	RV4WLS073-20-536	Three Shelf Set with hardware

Visit us on our website: [wurthlac.com](http://wurthlac.com)

A  
B  
C  
D  
E  
F  
G  
H  
I  
J  
K  
L  
M  
N  
O  
P  
Q  
R  
S  
T  
U  
V  
W  
X  
Y

**A REV-A-SHELF D-SHAPED LAZY SUSANS**

B  
C  
D  
E  
F  
G  
H  
I  
J  
K  
L  
M  
N  
O  
P  
Q  
R  
S  
T  
U  
V  
W  
X  
Y



**D-Shaped Plastic Lazy Susans, Lazy Daisy Two Shelf Set**



- Rev-A-Shelf's Economy Line, Lazy Daisy Series
- Independently Rotating
- Features snap pin hardware for easy installation
- Unique ribbed tray surface provides additional strength
- Two shelf set with telescoping shaft for interior cabinet heights of 26" - 31"

Item #	Description	Shelf Size
RVLD-2262-32	Two Shelf Set w/Hardware	32" Dia.



**D-Shaped Plastic Lazy Susans, Premium Two & Three Shelf Sets**



- Rev-A-Shelf 7012 & 7013 Series
- Dependently Rotating
- For maximum space utilization in diagonal wall and base cabinets
- Two shelf set with a telescoping shaft for interior cabinet heights of 24" to 31"
- Three shelf set with telescoping shaft for interior cabinet heights of 38" to 46"
- Shelves have a 1" high lip and are available in 20" diameter only

Item #	Description	Shelf Size
<b>Two &amp; Three Shelf Sets (Includes Hardware)</b>		
RV7012-20WH	Two Shelf Set w/Hardware	20" Dia.
RV7013-20WH	Three Shelf Set w/Hardware	20" Dia.



**D-Shaped Plastic Lazy Susans, Premium Two & Three Shelf Sets**



- Rev-A-Shelf 6272 & 6273 Series
- Independently Rotating
- Features chrome plated telescoping shaft assemblies with one screw adjustment
- Two shelf set with a telescoping shaft for interior cabinet heights of 26" to 32"
- Three shelf set with a telescoping shaft for interior cabinet heights of 38" to 46"
- Shelves have 1" high lip

White Item #	Almond Item #	Description	Shelf Size
<b>2-Shelf Set, D-Shaped Plastic</b>			
RV6272-20WH	RV6272-20-15	Two Shelf Set w/Hdw	20" Dia.
RV6272-22WH	RV6272-22AL	Two Shelf Set w/Hdw	22" Dia.
<b>3-Shelf Set, D-Shaped Plastic</b>			
RV6273-20WH	RV6273-20-15-536	Three Shelf Set w/Hdw	20" Dia.
RV6273-22-11-536	RV6273-22-15-536	Three Shelf Set w/Hdw	22" Dia.

**REV-A-SHELF D-SHAPED LAZY SUSANS**



A



B



C

**D-Shaped Wood Lazy Susans, Lazy Daisy Single Shelf w/Bearing, Two Shelf Sets & Three Shelf Set**



- Rev-A-Shelf's Economy Line, Lazy Daisy Series
- Independently Rotating
- 5/8" W x 2" H maple plywood rim with 5/8" thick maple plywood bottom
- Two shelf set with telescoping shaft for interior cabinet heights of 26" - 31"
- Three shelf set with telescoping shaft for interior cabinet heights of 38" - 46"
- RVL4-4BW-262 Series includes: plastic hubs, brackets, shelf supports and zinc plated shaft

Item #	Description	Shelf Size
<b>Single Shelf with Attached Steel Bearings</b>		
A	RVL4-4BW-201-20SBS	Single Shelf w/Steel Bearing attached (with stop) 20" Dia.
	RVL4-4BW-201-28SBS	Single Shelf w/Steel Bearing attached (with stop) 28" Dia.
	RVL4-4BW-201-32SBS	Single Shelf w/Steel Bearing attached (with stop) 32" Dia.
<b>Two &amp; Three Shelf Sets (Includes Hardware)</b>		
B	RVL4-4BW-262-20	Two Shelf Set w/Hardware 20" Dia.
	RVL4-4BW-262-28	Two Shelf Set w/Hardware 28" Dia.
	RVL4-4BW-262-32	Two Shelf Set w/Hardware 32" Dia.
C	RVL4-4BW-263-2036	Three Shelf Set w/Hardware 20" Dia.



A



B



C

**D-Shaped Wood Lazy Susans, Premium Single Shelf w/Bearing, Two Shelf Sets & Three Shelf Set**



- Rev-A-Shelf 4WLS Series
- Independently Rotating
- 5/8" thick high density multi plywood with 1-5/8" H finger joint solid wood rim
- Shelves have the look of natural maple and have a UV-cured clear coat finish
- Shelf sets feature durable 1" diameter chrome plated shaft system
- Two shelf set with a telescoping shaft for interior cabinet heights of 26" to 32"
- Three shelf set with a telescoping shaft for interior cabinet heights of 38" to 46"

Item #	Description	Shelf Size
<b>Single Shelf With Bearing Attached</b>		
A	RV4WLS201-20-BS	Single Shelf w/Steel Bearing attached (with stop) 20" Dia.
	RV4WLS201-22-BS52	Single Shelf w/Steel Bearing attached (with stop) 22" Dia.
	RV4WLS201-31-BS	Single Shelf w/Steel Bearing attached (with stop) 31" Dia.
<b>Two &amp; Three Shelf Sets (Includes Hardware)</b>		
B	RV4WLS272-20	Two Shelf Set w/Hardware 20" Dia.
	RV4WLS272-31	Two Shelf Set w/Hardware 31" Dia.
C	RV4WLS273-20-536	Three Shelf Set w/Hardware 20" Dia.

A  
B  
C  
D  
E  
F  
G  
H  
I  
J  
K  
L  
M  
N  
O  
P  
Q  
R  
S  
T  
U  
V  
W  
X  
Y

**A REV-A-SHELF D-SHAPED LAZY SUSANS**

B  
C  
D  
E  
F  
G  
H  
I  
J  
K  
L  
M  
N  
O  
P  
Q  
R  
S  
T  
U  
V  
W  
X  
Y



**D-Shaped Wood Lazy Susans,  
Lazy Daisy Premium Two Shelf Sets**



- Rev-A-Shelf's Premium Line, Lazy Daisy Natural Wood Series
- Independently Rotating
- 2-3/8" steam bent rim
- 5/8" thick maple tray bottom
- Chrome hardware
- Doweled (2) butt joint
- Set Includes: (2) D-Shaped Wood Shelves, Telescoping Shaft 26"-32"H and Install Hardware

Item #	Shelf Size
RVLD-4NW-272-20	20" Dia.
RVLD-4NW-272-28	28" Dia.
RVLD-4NW-272-32	32" Dia.



**D-Shaped Chrome Wire Lazy Susans,  
Premium, Two Shelf Sets & Three Shelf Set**



- Rev-A-Shelf 5272 & 5273 Series is made of heavy duty chrome wire
- Independently Rotating
- Available in 20" and 32" diameter and two and three shelf versions
- 5272 Series includes a 1" diameter telescoping shaft (adjusts to inner cabinet height of 26" to 32") with mounting hardware
- 5273 Series includes a 1" diameter telescoping shaft (adjusts to inner cabinet height of 38" to 46") with mounting hardware

Packing & Sold In: Each

Item #	Description	Shelf Size	Finish	Weight per Box
RV5272-20CH	Two Shelf Set, w/Hdw.	20" Dia.	Chrome	15 lb.
RV5272-32CH	Two Shelf Set, w/Hdw.	32" Dia.	Chrome	32 lb.
RV5273-20-536CH	Three Shelf Set, w/Hdw.	20" Dia.	Chrome	31 lb.



## REV-A-SHELF KIDNEY LAZY SUSANS

### Kidney-Shaped Solid Bottom Lazy Susans, Premium Single Shelf w/Bearing & Two Shelf Sets



- Rev-A-Shelf's 53-401 / 53472 Series
- Independently Rotating
- Designed for 32" kidney corner base cabinets
- Solid bottom: maple, gray, or orion gray
- Single shelf set, features aluminum swivel bearing w/stop
- Double shelf set, features independent rotating hardware and chrome-plated telescoping shafts, accommodates 26" to 32" inner cabinet heights
- Carb II compliant



Orion Gray 1-Shelf



Gray 1-Shelf



Maple 1-Shelf



Orion Gray 2-Shelf



Gray 2-Shelf



Maple 2-Shelf

Item #	Description	Shelf Size
<b>RV53-401 Series Kidney Shaped Lazy Susan Single Shelf w/Aluminum Bearing</b>		
RV53-401-32BSFOG	Orion Gray Kidney Shelf w/Aluminum Bearing (with stop)	32" Diameter
RV53-401-32BSGR	Gray Kidney Shelf w/Aluminum Bearing (with stop)	32" Diameter
RV53-401-32BSMP	Maple Kidney Shelf w/Aluminum Bearing (with stop)	32" Diameter
<b>RV53472 Series Kidney Shaped Lazy Susan Two-Shelf Set</b>		
RV53472-32FOG	Orion Gray Kidney 2-Shelf Set	32" Diameter
RV53472-32GR	Gray Kidney 2-Shelf Set	32" Diameter
RV53472-32MP	Maple Kidney 2-Shelf Set	32" Diameter

A  
B  
C  
D  
E  
F  
G  
H  
I  
J  
K  
L  
M  
N  
O  
P  
Q  
R  
S  
T  
U  
V  
W  
X  
Y

**A REV-A-SHELF KIDNEY LAZY SUSANS**

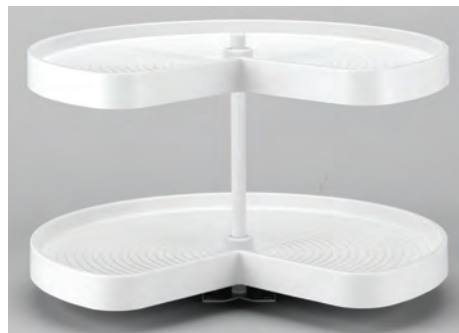
**Kidney-Shaped Plastic Lazy Susans  
Lazy Daisy Two Shelf Sets & Three Shelf Set**



- Rev-A-Shelf's Economy Line, Lazy Daisy Series
- Independently Rotating
- Two shelf set with telescoping shaft for interior cabinet heights of 26" - 31"
- Three shelf set with telescoping shaft for interior cabinet heights of 34" - 41"
- Features snap pin hardware for easy installation
- Unique ribbed tray surface



A



B



C

	White Item #	Almond Item #	Description	Shelf Size	Packed
<b>Two Shelf Sets (Includes Hardware &amp; Telescoping Shaft 26" - 31")</b>					
A	RVLD-2472-18-11-1	RVLD-2472-18-15-1	Two Shelf Set w/Hardware	18" Dia.	1 Set
	RVLD-2472-24	RVLD-2472-24AL	Two Shelf Set w/Hardware	24" Dia.	1 Set
	RVLD-2472-28	RVLD-2472-28AL	Two Shelf Set w/Hardware	28" Dia.	1 Set
	RVLD-2472-32	RVLD-2472-32-15-1	Two Shelf Set w/Hardware	32" Dia.	1 Set
<b>Two Shelf Sets (Includes Hardware &amp; Bottom Mount Shaft)</b>					
B	RVLD-2472-18BM-WH	RVLD-2472-18BM-AL	Bottom Mount 2-Shelf Set	18" Dia.	1 Set
	RVLD-2472-24BM-WH	RVLD-2472-24BM-AL	Bottom Mount 2-Shelf Set	24" Dia.	1 Set
	RVLD-2472-28BM-WH	RVLD-2472-28BM-AL	Bottom Mount 2-Shelf Set	28" Dia.	1 Set
	RVLD-2472-32BM-WH	RVLD-2472-32BM-AL	Bottom Mount 2-Shelf Set	32" Dia.	1 Set
<b>Three Shelf Sets (Includes Hardware &amp; Telescoping Shaft 34" - 41")</b>					
C	RVLD-2473-1836WH	RVLD-2473-1836AL	Three Shelf Set w/Hardware	18" Dia.	1 Set

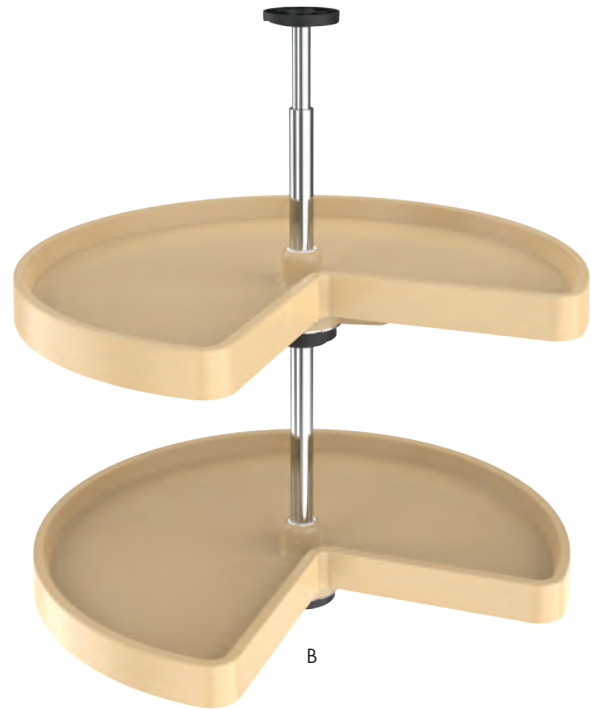
## REV-A-SHELF KIDNEY LAZY SUSANS

### Kidney-Shaped Plastic Lazy Susans

#### Value Line Two Shelf Sets



- Rev-A-Shelf's Economy Line, Value Line Series
- Independently Rotating
- Made of double wall polymer and sturdy rib construction for maximum strength
- Molded polymer hubs and steel shafts with "Twist-N-Lock" telescoping post
- Two shelf set with a telescoping shaft for interior cabinet heights of 24" to 31"
- 1" Shelf lip



	Item #	Description	Shelf Size	Color	Sold In
A	RV3472-24WH	Two Shelf Set w/Telescoping Shaft (24"-31") & Hdw.	24" Dia.	White	1 Set
	RV3472-28WH	Two Shelf Set w/Telescoping Shaft (24"-31") & Hdw.	28" Dia.	White	1 Set
	RV3472-32WH	Two Shelf Set w/Telescoping Shaft (24"-31") & Hdw.	32" Dia.	White	1 Set
	RV3472-24WHB	Two Shelf Set w/Telescoping Shaft (24"-31") & Hdw.	24" Dia.	White	6 Sets Per Box
	RV3472-28WHB	Two Shelf Set w/Telescoping Shaft (24"-31") & Hdw.	28" Dia.	White	6 Sets Per Box
	RV3472-32WHB	Two Shelf Set w/Telescoping Shaft (24"-31") & Hdw.	32" Dia.	White	6 Sets Per Box
B	RV3472-24-15	Two Shelf Set w/Telescoping Shaft (24"-31") & Hdw.	24" Dia.	Almond	1 Set
	RV3472-28-15	Two Shelf Set w/Telescoping Shaft (24"-31") & Hdw.	28" Dia.	Almond	1 Set
	RV3472-32-15	Two Shelf Set w/Telescoping Shaft (24"-31") & Hdw.	32" Dia.	Almond	1 Set

A  
B  
C  
D  
E  
F  
G  
H  
I  
J  
K  
L  
M  
N  
O  
P  
Q  
R  
S  
T  
U  
V  
W  
X  
Y

**A REV-A-SHELF KIDNEY LAZY SUSANS**



**Kidney-Shaped Plastic Lazy Susans  
Premium Two Shelf Sets & Bulk Packs**



- Rev-A-Shelf 6472 Series
- Independently Rotating
- Features 1" diameter chrome plated steel tubing, chrome hub, telescoping upper shaft and zinc die cast hardware components for superior independent rotation
- Two shelf sets have telescoping shaft for interior cabinet heights of 26" to 32"
- 1" Shelf lip

Featuring Chrome Hubs & Hardware

White Item #	Almond Item #	Description	Shelf Size	Box Qty
RV6472-18WH	RV6472-18AL	Two Shelf Set w/Hardware	18" Dia.	1
RV6472-24WH	RV6472-24AL	Two Shelf Set w/Hardware	24" Dia.	1
RV6472-28WH	RV6472-28AL	Two Shelf Set w/Hardware	28" Dia.	1
RV6472-32WH	RV6472-32AL	Two Shelf Set w/Hardware	32" Dia.	1
RV6472-24WHB	RV6472-24ALB	Two Shelf Set with Hardware - Bulk pk	24" Dia.	5
RV6472-28WHB	RV6472-28ALB	Two Shelf Set with Hardware - Bulk pk	28" Dia.	5
RV6472-32WHB	RV6472-32ALB	Two Shelf Set with Hardware - Bulk pk	32" Dia.	6



**Kidney-Shaped Wood Lazy Susans,  
Lazy Daisy Single Shelf w/Bearing & Two Shelf Sets**



- Rev-A-Shelf's Economy Line, Lazy Daisy Series
- Independently Rotating
- 5/8" W x 2" H maple plywood rim glued shelves with doweled butt joints and 5/8" thick bottoms
- Two shelf set with telescoping shaft for interior cabinet heights of 26" - 31"
- LD-4BW-472 Series includes RAS "Value Line"; plastic hubs, plastic top/bottom brackets, plastic shelf supports and zinc plated twist/lock shaft
- LD-4BW-401 Series Trays include steel bearing that has a v-notch sub panel attached and that sub panel has an access hole for easy installation



Item #	Description	Shelf Size
<b>Single Shelf with Steel Bearing Attached</b>		
A	RVLD-4BW-401-28SBS	Single Self w/Steel Bearing (with stop) 28" Dia.
	RVLD-4BW-401-32SBS	Single Self w/Steel Bearing (with stop) 32" Dia.
<b>Two Shelf Sets (Includes Hardware)</b>		
B	RVLD-4BW-472-24	Two Shelf Set w/Hardware 24" Dia.
	RVLD-4BW-472-28	Two Shelf Set w/Hardware 28" Dia.
	RVLD-4BW-472-32	Two Shelf Set w/Hardware 32" Dia.



**REV-A-SHELF KIDNEY LAZY SUSANS**



**Kidney-Shaped Wood Lazy Susans  
Premium Single Shelf Blanks**



- 4WLS Series shelves made of 5/8" thick high density multiplywood and have a 1" high solid wood rim that is finger jointed
- Natural maple finish with UV-cured clear coat

Item #	Size	Description
RV4WLS401-28	28" Dia.	Single Shelf Only, NOT Drilled
RV4WLS401-32	32" Dia.	Single Shelf Only, NOT Drilled
<b>Accessory - Aluminum Bearing w/Stop</b>		
RV4BS-7-1	7" Dia.	Aluminum Bearing w/Stop
RV4BS-10-1	10" Dia.	Aluminum Bearing w/Stop



**Kidney-Shaped Wood Lazy Susans  
Premium Single Shelf w/Aluminum Bearing**



- 4WLS Series shelves made of 5/8" thick high density multiplywood and have a 1" high solid wood rim that is finger jointed
- Natural maple finish with UV-cured clear coat
- Includes: (1) wood shelf & (1) attached aluminum bearing w/stop

Item #	Size	Description
RV4WLS401-28-BS	28" Dia.	Single Shelf w/Attached Aluminum Bearing w/Stop
RV4WLS401-32-BS	32" Dia.	Single Shelf w/Attached Aluminum Bearing w/Stop



**Kidney-Shaped Wood Lazy Susans  
Premium Two Shelf Sets**



- 4WLS Series shelves made of 5/8" thick high density multiplywood and have a 1" high solid wood rim that is finger jointed
- Natural maple finish with UV-cured clear coat
- Includes: (2) wood shelves, (1) telescoping post (26"-32") & metal hubs

Item #	Size	Description
RV4WLS472-24	24" Dia.	Two Shelf Set w/Telescoping Post & Hardware
RV4WLS472-28	28" Dia.	Two Shelf Set w/Telescoping Post & Hardware
RV4WLS472-32	32" Dia.	Two Shelf Set w/Telescoping Post & Hardware

**A REV-A-SHELF KIDNEY LAZY SUSANS**

A  
B  
C  
D  
E  
F  
G  
H  
I  
J  
K  
L  
M  
N  
O  
P  
Q  
R  
S  
T  
U  
V  
W  
X  
Y



**Kidney-Shaped Wood Lazy Susans, Lazy Daisy, Premium Single Shelf w/Bearing & Two Shelf Sets**



- Rev-A-Shelf's Premium Line, Lazy Daisy Natural Wood Series
- 2-3/8" H steam bent rim
- Shelves have 5/8" thick maple plywood bottoms
- Two shelf set with telescoping shaft for interior cabinet heights of 26" - 31"
- RVL44NW-472 Series includes heavy duty chrome plated hardware and shaft
- RVL44NW-401 Series Trays include a quiet aluminum bearing that has a sub panel attached and that sub panel has an access hole for easy installation
- Independently Rotating
- Doweled (2) butt joint



	Item #	Shelf Size
<b>2-5/8" H Rim, Single Shelf w/Aluminum Bearing Attached</b>		
A	RVL44NW-401-28BS	28" Dia.
	RVL44NW-401-32BS	32" Dia.
<b>Two Shelf Set w/Telescoping Shaft (Includes Hardware)</b>		
B	RVL44NW-472-18	18" Dia.
	RVL44NW-472-28	28" Dia.
	RVL44NW-472-32	32" Dia.

B

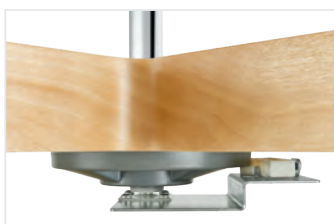


**Not-So-Lazy Susan**



- Rev-A-Shelf's NSLS Series
- Designed for 32" and 36" kidney corner base cabinets
- Solid wood construction, maple
- Lower kidney shaped shelf
- Upper kidney shaped shelf with mid-level arrester
- Mounts to cabinets top and bottom
- Up to (7) hooks
- Carb II compliant

Item #	Description	Dimensions
<b>Not-So-Lazy Susans Include 7 Hooks - Maple Finish</b>		
RVNSLS-KM-28S-7	Designed for 32" Base Corner Cabinet	28" Diameter
RVNSLS-KM-32-7	Designed for 36" Base Corner Cabinet	32" Diameter



Close-up



**REV-A-SHELF KIDNEY LAZY SUSANS**



**Kidney-Shaped Chrome Wire Lazy Susans, Premium Two Shelf Sets**



- Independently Rotating
- Rev-A-Shelf 5472 Series heavy duty chrome wire lazy susan
- Includes: 1" diameter telescoping shaft that adjusts to fit inner cabinet space of 26" to 32"

Item #	Description	Shelf Size
RV5472-28CH	Two Shelf Set, w/Hardware	28" Dia.
RV5472-32CH	Two Shelf Set, w/Hardware	32" Dia.

A  
B  
C  
D  
E  
F  
G  
H  
I  
J  
K  
L  
M  
N  
O  
P  
Q  
R  
S  
T  
U  
V  
W  
X  
Y



**Pie-Cut Shaped Plastic Lazy Susans, Lazy Daisy Two Shelf Sets**



- Rev-A-Shelf's Economy Line, Lazy Daisy Series
- Dependently Rotating, Door Mounted
- Features trays that attach to the door for easy installation
- Simple one hand height adjustment
- 8mm steel pin locking trays keep doors aligned and require no adjustment
- Two shelf set with telescoping shaft accommodating interior cabinet heights of 26" - 31"
- Powder coated bottom mount bracket
- Stop mechanism is concealed under lower tray
- Adjustable aluminum mounting template available

White Item #	Almond Item #	Shelf Size
<b>Two Shelf Set with Hardware</b>		
RVLD-2942-18-11-1	-	18" Dia.
RVLD-2942-24-11-1	RVLD-2942-24-15-1	24" Dia.
RVLD-2942-28-11-1	RVLD-2942-28-15-1	28" Dia.

**A REV-A-SHELF PIE-CUT / HALF MOON LAZY SUSANS**



A. Single Shelf Only, Bulk Packs

**Pie-Cut Shaped Plastic Lazy Susans,  
Premium, Bulk Packs & Two Shelf Sets**

- Rev-A-Shelf 6901 & 6942 Series
- Dependently Rotating
- Door Mounted
- Made of double wall polymer and sturdy rib construction
- 1" heavy wall tubing and engineered die cast components for adjustable installation
- Available shelf options:
  - Single shelf offered in bulk packs
  - Two shelf set with a telescoping shaft for interior cabinet heights of 26" to 36"
- Shelf lip is 1" high



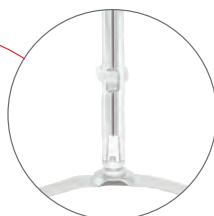
B. Two Shelf Telescoping Shaft, Bulk Packs

	Item #	Description	Shelf Size	Color	Sold In
<b>Single Shelf Only &amp; Bottom Mount Hardware - Bulk Pack</b>					
A	RV6901-24WH	Shelves Only, Hardware Sold Separately	24" Dia	White	12/Box
	RV6901-28-11-4	Shelves Only, Hardware Sold Separately	28" Dia	White	12/Box
	RV6901-24AL	Shelves Only, Hardware Sold Separately	24" Dia.	Almond	12/Box
	RV6901-28AL	Shelves Only, Hardware Sold Separately	28" Dia	Almond	12/Box
B	RV6942-04-4	Telescoping Shaft for 24" Shelves, 26" - 32"H Adj.	-		6/Box
	RV6942-28B	Telescoping Shaft for 28" Shelves, 26" - 32"H Adj.	-		6/Box
<b>Two Shelf Sets (Includes Hardware)</b>					
C	RV6942-24WH	Two Shelf Set w/Telescoping Shaft (26"-36") & Hdw.	24" Dia.	White	1 Set
	RV6942-28WH	Two Shelf Set w/Telescoping Shaft (26"-36") & Hdw.	28" Dia.	White	1 Set
	RV6942-24WHB2	Two Shelf Set w/Telescoping Shaft (26"-36") & Hdw.	24" Dia.	White	6 Sets Per Box
	RV6942-28WHB2	Two Shelf Set w/Telescoping Shaft (26"-36") & Hdw.	28" Dia.	White	6 Sets Per Box
	RV6942-24AL	Two Shelf Set w/Telescoping Shaft (26"-36") & Hdw.	24" Dia.	Almond	1 Set
	RV6942-28AL	Two Shelf Set w/Telescoping Shaft (26"-36") & Hdw.	28" Dia.	Almond	1 Set
	RV6942-28ALB2	Two Shelf Set w/Telescoping Shaft (26"-36") & Hdw.	28" Dia.	Almond	6 Sets Per Box

Centering Hardware



C. Two Shelf Set



Height  
Adjustment  
Mechanism

## REV-A-SHELF PIE-CUT / HALF MOON LAZY SUSANS



### Pie-Cut Shaped Wood Lazy Susan, Lazy Daisy Two Shelf Set



- Rev-A-Shelf's Economy Line, Lazy Daisy Series
  - Dependently Rotating, Door Mounted
  - 2" Banded wood rim
  - Doweled (2) butt joint
  - 5/8" Thick maple tray bottom
  - Attaches to the cabinet door
- Includes: (2) Pie-Cut Shaped Wood Shelves, Telescoping Shaft 26" - 32"H and hardware

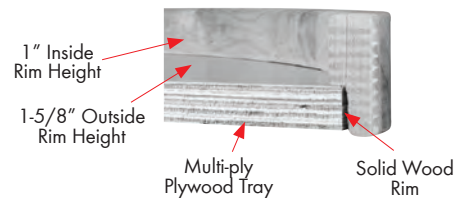
Item #	Shelf Size
RVLD-4BW-942-28	28" Dia.

### Pie-Cut Shaped Wood Lazy Susans, Premium Two Shelf Sets



- Rev-A-Shelf 4WLS Series
- Dependently Rotating, Door Mounted
- Shelves made of 5/8" thick plywood w/1-5/8"H wood finger joined rim
- Natural maple with a UV-cured clear coat finished
- Shelf sets feature durable 1" dia. chrome plated shaft system
- Two shelf set with a telescoping shaft for interior cabinet heights of 26" to 32"

Lazy Susan Cross-Cut



Bulk Item #	Description	Shelf Size
<b>Two Shelf Set w/Chrome Hardware</b>		
RV4WLS942-24	Two Shelf Set with Hardware	24" Dia.
RV4WLS942-28	Two Shelf Set with Hardware	28" Dia.
RV4WLS942-31	Two Shelf Set with Hardware	31" Dia.
<b>Two Shelf Set w/Polymer Hardware</b>		
RV4WLS942-24P	Two Shelf Set with Hardware	24" Dia.
RV4WLS942-28P	Two Shelf Set with Hardware	28" Dia.
RV4WLS942-31P	Two Shelf Set with Hardware	31" Dia.
<b>Two Shelf Set for 33" Corner Base w/Hardware</b>		
RV4WLS942-2433	Two Shelf Set with Hardware	24" Dia.

### Pie-Cut Shaped Wood Lazy Susan, Premium Lazy Daisy Two Shelf Set



- Rev-A-Shelf's Premium Line, Lazy Daisy Natural Wood Series
- Dependently Rotating, Door Mounted
- Shelves have a 1/2"W x 2-3/8"H steam bent solid maple rim
- Two shelf set with telescoping shaft accommodating interior cabinet heights of 26" - 31"



Item #	Description	Shelf Size
RVLD-4NW-942-28	Two Shelf Set includes hardware	28" Dia.

**A REV-A-SHELF PIE-CUT / HALF MOON LAZY SUSANS**



RV4WLS882-32-570



RVL44NWLS882-32-1

**Half Moon Shaped Wood Lazy Susans, Premium Two Shelf Sets**



- RV4WLS882 Series, Shelves are 5/8" thick, 1" high solid wood rim
- RVL44NWLS882 Series, Shelves are 1/2" thick, 2-3/8" high continuous steam bent solid rim
- Shelves pull-out 10-1/4"
- Includes hardware

Wood Series RV4WLS882 Item #	Wood Series RVL44NWLS882 Item #	Description	Minimum Opening
RV4WLS882-32	RVL44NWLS882-32	(2)-32"L Shelves, Both Shelves Pull-Out	12"
RV4WLS882-35	RVL44NWLS882-35	(2)-35"L Shelves, Both Shelves Pull-Out	15"
RV4WLS882-38	RVL44NWLS882-38	(2)-38"L Shelves, Both Shelves Pull-Out	18"

**Half Moon Shaped Plastic Lazy Susans, Premium**



- RV6881 Series: Single Shelf Pull-Out Set (Shelf Pulls-Out 10-1/4")
- RV6842 Series: Two Shelf Pivot-Out Set
- RV6882 Series: Two Shelf Pull-Out Set (Shelves Pulls-Out 10-1/4")
- Includes Hardware



A



B



C

	White Finish Item #	Almond Finish Item #	Description	Minimum Opening
A	RV6881-31WH	RV6881-31AL	(1)-31"L Shelf, Shelf Pulls-Out	13-1/4"
	RV6881-33WH	RV6881-33AL	(1)-33"L Shelf, Shelf Pulls-Out	16-1/8"
	RV6881-39WH	RV6881-39AL	(1)-39"L Shelf, Shelf Pulls-Out	19-1/4"
B	RV6842-31WH	RV6842-31AL	(2)-31"L Shelves, Both Shelves Pivot-Out	13-1/4"
	RV6842-33WH	RV6842-33AL	(2)-33"L Shelves, Both Shelves Pivot-Out	16-1/8"
	RV6842-39WH	RV6842-39AL	(2)-39"L Shelves, Both Shelves Pivot-Out	19-1/4"
C	RV6882-31WH	RV6882-31AL	(2)-31"L Shelves, Both Shelves Pull-Out	13-1/4"
	RV6882-33WH	RV6882-33AL	(2)-33"L Shelves, Both Shelves Pull-Out	16-1/8"
	RV6882-39WH	RV6882-39AL	(2)-39"L Shelves, Both Shelves Pull-Out	19-1/4"

## REV-A-SHELF LAZY SUSAN HARDWARE



A. Without Stop



B. With Stop

### Aluminum Bearings



- Rev-A-Shelf's premium lazy susan aluminum swivel bearings
- Available in 7" and 10" diameters

	Item #	Description	Diameter
A	RV4B-7-1	Aluminum Swivel Bearing, without Stop	7"
	RV4B-10-1	Aluminum Swivel Bearing, without Stop	10"
B	RV4BS-7-1	Aluminum Swivel Bearing, With Stop	7"
	RV4BS-10-1	Aluminum Swivel Bearing, With Stop	10"

### Bottom Mount Lazy Susan Hardware Components



#### One Shelf Bottom Mount:



A



B



C

- Bottom mount hardware can only be used with the Rev-A-Shelf shelves
- Rev-A-Shelf Hardware Kits for wood or melamine custom shelving are tested to meet and exceed BHMA Class-I specifications of 20 lb. per square inch at 100,000 cycles
- Rev-A-Shelf's hardware and hardware components allow maximum flexibility, strength and aesthetic value for all custom applications
- Available in 1-Shelf and 2-Shelf shafts

	Item #	Description	Dimensions	Finish
<b>1 Shelf Bottom Mount Hardware Set</b>				
A	RVBM1-VL-04	For Rev-A-Shelf 3000 & 3400 Series Susans	4-1/4" Shaft	Zinc
B	RVBM1-04	For Rev-A-Shelf 6072, 6200 & 6472 Series Susans	4-11/16" Shaft	Zinc
C	RV4BM1-04-52	For Rev-A-Shelf 4WLS Series Wood Susans	4" Shaft	Zinc
<b>2 Shelf Bottom Mount Hardware Set</b>				
D	RVLD-20BM2-04-5	For Lazy Daisy Series Lazy Susans	17-5/16" Shaft	White
E	RVBM1-18	For Rev-A-Shelf 6072, 6200 & 6472 Series Susans	17-7/8" Shaft	Zinc
F	RV4HDBM2-04	Heavy Duty Post for Rev-A-Shelf 4WLS Series Wood Susans	15" Shaft	Almond

#### Two Shelf Bottom Mount:



D



E



F

**A REV-A-SHELF VANITY BASE PULL-OUT ORGANIZERS**

B  
C  
D  
E  
F  
G  
H  
I  
J  
K  
L  
M  
N  
O  
P  
Q  
R  
S  
T  
U  
V  
W  
X  
Y



**Vanity Outlet Grooming Organizer Pull-Out**



- Designed for face frame 12" full height vanity 1-3/4", 1-1/2" and 1-5/8" cabinets
- Natural maple construction with semi-gloss finish
- (2) shelves with acrylic accents
- Full-extension, TANDEM, 110 lb. rated slides with BLUMOTION soft-close
- Patented foldable slide set for easy installation (US Patent No. 10,799,020)
- Mounts to cabinet door, floor and side
- Patented door mount brackets provide 5" of adjustability and include micro-trim adjuster (US Patent No. 8,388,076)
- Non-skid vinyl lining
- (2) removable stainless-steel bins
- In-drawer receptacle with (2) 120V plugs
- Tamper-resistant outlets
- Max Current: AC: 12 amps @ 120VAC
- UL Recognized to UL962/CSA-C22.2 no. 0-10
- Power cord with NEMA 5 - 15 plug
- Integrated cord guide ensures safe operation
- Drawer stop prevents items from being stored "ON" inside the cabinet
- Its end-use determines the overall safety of this product
- TSCA Title VI compliant



Item #	Description	Dimensions
RV445-VBOSC-8C	For 12" Full Height Vanity Base Cabinet	9-9/32"W x 19-3/4"D x 26-1/8"H



**REV-A-SHELF VANITY BASE PULL-OUT ORGANIZERS**



**Vanity Base Cabinet Fillers,  
3" & 6" Wide Fillers**



- Rev-A-Shelf 432 Series is Rev-A-Shelf's premium line of base cabinet bath fillers
- The fillers utilize the wasted space behind decorative fillers and create a functional storage solution
- Fully assembled with adjustable shelves and adjustable door mount brackets
- Includes 4 polycarbonate bins (7" x 1-3/4"D x 2-1/4"H)

Blumotion Soft-Close Item #	Dimensions	Slide Finish/ Weight Rating	Finish
<b>Vanity Filler, 100 Lb. Ball Bearing, Full Ext. Slide</b>			
RV432-VF26SC-3	3"W x 19"D x 26"H	Zinc/100 lb.	Wood
RV432-VF30SC-3	3"W x 19"D x 30"H	Zinc/100 lb.	Wood
RV432-VF26SC-6	6"W x 19"D x 26"H	Zinc/100 lb.	Wood
RV432-VF30SC-6	6"W x 19"D x 30"H	Zinc/100 lb.	Wood



**448 & 445 Series Vanity Base Cabinet  
Pull-Out Organizers**



- Offered in Standard-Close & Soft-Close Versions
- Standard-Close = Full Ext Ball Bearing Slides, 100 Lb Weight Rating
- Soft-Close = Full Ext Soft-Close Slides, 135 Lb Weight Rating
- Designed for Face Frame 12" Vanity Base Cabinet
- 448 Series Includes polycarbonate bins
- 445 Series Includes stainless steel bins for dryers
- Includes Door Mount Brackets

Item #	Description	Dimensions
<b>Vanity Organizer with Full-Extension Blum Soft-Close Slides, 135 Lb. Weight Rating</b>		
RV448-VC20SC-8	Vanity Pull-Out Organizer w/6 polycarbonate bins	8-7/16"W x 19-9/16"D x 20-3/8"H
RV448-VC25SC-8	Vanity Pull-Out Organizer w/9 polycarbonate bins	8-7/16"W x 19-9/16"D x 25-9/16"H
<b>Vanity Grooming Organizer with Full-Extension Ball Bearing Standard-Close Slides, 100 Lb. Weight Rating</b>		
RV445-VCG20-8	Vanity Pull-Out Organizer w/2 stainless steel bins	8-7/16"W x 19-9/16"D x 20-3/8"H
RV445-VCG25-8	Vanity Pull-Out Organizer w/2 stainless steel bins	8-7/16"W x 19-9/16"D x 25-9/16"H
<b>Vanity Grooming Organizer with Full-Extension Blum Soft-Close Slides, 135 Lb. Weight Rating</b>		
RV445-VCG20SC-8	Vanity Pull-Out Organizer w/2 stainless steel bins	8-7/16"W x 19-9/16"D x 20-3/8"H
RV445-VCG25SC-8	Vanity Pull-Out Organizer w/2 stainless steel bins	8-7/16"W x 19-9/16"D x 25-9/16"H

A  
B  
C  
D  
E  
F  
G  
H  
I  
J  
K  
L  
M  
N  
O  
P  
Q  
R  
S  
T  
U  
V  
W  
X  
Y

**A REV-A-SHELF VANITY PULL-OUT HAMPERS/WASTE BINS**

B  
C  
D  
E  
F  
G  
H  
I  
J  
K  
L  
M  
N  
O  
P  
Q  
R  
S  
T  
U  
V  
W  
X  
Y



**Plastic Vanity Drip Tray**



- Rev-A-Shelf's SBVDT Series
- Drop-in installation
- Glossy polystyrene construction
- Protects the bottom of the cabinet from water damage
- Recommended for new construction only

Almond Finish Item #	Silver Finish Item #	Dimensions	Cabinet Application	Tray Capacity
RVSBVDT-2124-A-1	RVSBVDT-2124-S-1	22.5"W x 20.25"D x .75"H	24" Vanity Sink Base Cabinet	0.92 QT.
RVSBVDT-2730-A-1	RVSBVDT-2730-S-1	28.5"W x 20.25"D x .75"H	30" Vanity Sink Base Cabinet	1.23 QT.
RVSBVDT-3336-A-1	RVSBVDT-3336-S-1	34.5"W x 20.25"D x .75"H	36" Vanity Sink Base Cabinet	1.50 QT.



**5190 Series Vanity Pull-Out Canvas Hamper**



- Full Extension Rev-A-Motion Soft-Open/Soft-Close Slides
- 150 Lb Weight Rating
- Removable, machine washable canvas liner
- Designed for Face Frame 18" Vanity Base Cabinet
- Includes adjustable door mount brackets

Item #	Description	Dimensions
RV5190-15RM-117	Vanity Pull-Out Canvas Hamper w/Silver Tray	14-9/32"W x 18-1/16"D x 19-11/32"H
RV5190-15RM-111	Vanity Pull-Out Canvas Hamper w/White Tray	14-9/32"W x 18-1/16"D x 19-11/32"H



**Steel Top Mount Hamper**



- Designed for full access 24" vanity base cabinets with 5/8" or 3/4" side walls
- Double .85 BU polymer containers, gray and white
- Powder-coated metal frame, white
- Door mount brackets
- Full-extension, 90 lb. rated slides with soft-close
- Mounts to cabinet door and side walls
- Pre-assembled door mount brackets
- (1) gray and (1) white lids

Item #	Description	Cabinet Type / Size
RV53TMVH-24SCDM2FL	22-1/8"W x 19-3/4"D x 19-1/8"H	Frameless Full Height Vanity Base, 24"

**REV-A-SHELF VANITY PULL-OUT HAMPERS/WASTE BINS**

A  
B  
C  
D  
E  
F  
G  
H  
I  
J  
K  
L  
M  
N  
O  
P  
Q  
R  
S  
T  
U  
V  
W  
X  
Y



**4VHTM Series Top Mount Pull-Out Hamper**



- Features a carriage made of wood
- 2" Over-Travel Ball Bearing Slides with Standard-Close
- 100 Lb Weight Rating
- Designed for Face Frame 18" Vanity Base Cabinet
- Includes 1.71 bushel, white plastic hamper basket with lid
- Features front, side brackets and adjustable rear mounting brackets
- Includes door mount brackets

Item #	Description	Dimensions
RV4VHTM-1520DM	1.71 Bushel, White Pull-Out Hamper w/Standard-Close	15"W x 19-7/8"D x 20"H (with lid)



**4WH Series Bottom Mount Pull-Out Hamper**



- Features a carriage made of wood
- Full Extension Rev-A-Motion Soft-Open/Soft-Close Slides
- 150 Lb Weight Rating
- Designed for Face Frame 18" Vanity Base Cabinet
- Includes 1.71 bushel, White plastic hamper basket with lid
- Includes door mount brackets

Item #	Description	Dimensions
RV4WH-RM-15DM	1.71 Bushel, Pull-Out Hamper w/Rev-A-Motion Soft-Open/Close	14-1/4"W x 19-3/4"D x 21"H (with lid)



**4WH Series Bottom Mount Pull-Out Hamper w/BLUMOTION**



- Features a carriage made of wood
- Full-Extension, concealed slides w/BLUMOTION soft-close
- 150 Lb Weight Rating
- Designed for Face Frame 24" Vanity Base Cabinet
- Includes 1.5 bushel, White plastic hamper basket w/lid
- Includes door mount brackets
- TSCA Title VI compliant



Item #	Description	Dimensions
<b>Vanity Bottom Mount Single Hamper Pull-Out w/BLUMOTION Soft-Close</b>		
RV4WH-VCSC-21DM1	Single 1.5 Bushel Hamper Pull-Out w/Soft Close, White, for 24" Vanity Base Cabinets	20-5/16"W x 18-11/16"D x 21-1/4"H

**A REV-A-SHELF VANITY PULL-OUT HAMPERS/WASTE BINS**

B  
C  
D  
E  
F  
G  
H  
I  
J  
K  
L  
M  
N  
O  
P  
Q  
R  
S  
T  
U  
V  
W  
X  
Y



**HPRV Series Bottom Mount Pull-Out Hamper**



- Features a carriage made of metal wire
- Full Extension Ball Bearing Slides with Standard-Close
- 100 Lb Weight Rating
- Includes 1.5 bushel plastic hamper basket with lid
- Door Mount Kits are sold separately

Item #	Description	Dimensions
RVHPRV-1520SWH	1.5 Bushel, White Pull-Out Hamper w/ Standard-Close	14-1/4"W x 20"D x 19-3/8"H
RVHPB-03323	Replacement Plastic Hamper, White Finish	14"W x 18-5/8"D x 18-1/4"H
RVDMKITWH	Heavy Duty Door Mount Kit, White Finish	



**CH Series Bottom Mount Pull-Out Hamper**



- Features an anodized aluminum frame
- Full Extension Rev-A-Motion Soft-Open/Soft-Close Slides
- 150 Lb Weight Rating
- Features two removable wire baskets with machine washable cloth liners
- Includes door mount brackets

Item #	Description	Dimensions
RVCH-241419-RM-217	Silver/Tan Hamper Pull-Out	24"W x 13-15/16"D x 18-7/8"H
RVCH-241419-RM-211	White/Tan Hamper Pull-Out	24"W x 13-15/16"D x 18-7/8"H



**HRV Series Bottom Mount Pull-Out Wire Hampers**



- Features a metal wire carriage
- Full Extension Ball Bearing Slides w/Standard-Close
- 100 Lb Weight Rating
- Basket is easily removable
- Door Mount Kits are sold separately, see below

Item #	Description	Dimensions
RVHRV-1215SWH	55QT. White Wire Hamper	11-7/8"W x 18"D x 14-3/4"H
RVHRV-1220SWH	71QT. White Wire Hamper	11-7/8"W x 18"D x 19-3/8"H
RVHRV-1515SWH	67QT. White Wire Hamper	14-3/4"W x 18"D x 14-3/4"H
RVHRV-1520SWH	89QT. White Wire Hamper	14-3/4"W x 18"D x 19-3/8"H
RVHRV-1520S-CR	71QT. Chrome Wire Hamper w/Canvas Bag	14-3/4"W x 18"D x 19-3/8"H
RVHRV-1520-LINER	Replacement Canvas Bag	
RVDMKITWH	Heavy-Duty Door Mount Kit, White Finish	
RVDM17-KIT	Heavy-Duty Door Mount Kit, Silver Finish	

**REV-A-SHELF VANITY PULL-OUT HAMPERS/WASTE BINS**



**Soft Closing**

**4WCSC Series Bottom Mount Vanity Trash-Out w/BLUMOTION**



- Features a carriage made of wood
- Full-Extension, concealed slides w/BLUMOTION soft-close
- 110 Lb Weight Rating
- Designed for Face Frame 15" Vanity Base Cabinet
- Includes (1) 8Qt, Silver plastic bin w/white lid
- Includes a rear storage
- TSCA Title VI compliant

Item #	Description	Dimensions
<b>Vanity Bottom Mount Trash Pull-Out w/BLUMOTION Soft-Close</b>		
RV4WCSC-128-19	Single 8QT Trash Pull-Out w/ Silver Bin for 15" Vanity Sink Base Cabinets	8-5/8"W x 18-9/16"D x 13-15/16"H

A  
B  
C  
D  
E  
F  
G  
H  
I  
J  
K  
L  
M  
N  
O  
P  
Q  
R  
S  
T  
U  
V  
W  
X  
Y



**4SOWC Series Door Mount Vanity Trash Container**



- Features a frame that is dovetailed with semi-gloss finish
- Mounts to cabinet door
- Designed for Face Frame 30" Vanity Base Cabinet
- Includes (1) 8Qt, Silver plastic bin w/white lid
- Includes door mount brackets
- TSCA Title VI compliant

Item #	Description	Dimensions
RV4SOWC-8	Door Mount, Single 8QT Silver Trash Bin, for 30" Vanity Base Cabinets	10-3/8"W x 7-3/8"D x 12-5/16"H

**A REV-A-SHELF VANITY DRAWERS**

B  
C  
D  
E  
F  
G  
H  
I  
J  
K  
L  
M  
N  
O  
P  
Q  
R  
S  
T  
U  
V  
W  
X  
Y



**Vanity Outlet Drawer**



- Designed for 18" base cabinet drawers
- Natural maple construction with semi-gloss finish
- (2) compartments
- (2) stainless-steel bins
- Full-extension, TANDEM, 110 lb. rated, concealed slides with BLUMOTION soft-close
- In-drawer receptacle with (2) 120V plugs
- Tamper resistant outlets Max Current: AC: 12 amps @ 120VAC
- UL Recognized to UL962/CSA-C22.2 No. 0-10
- Power cord with NEMA 5 - 15 plug
- Integrated cord guide ensures safe operation
- Door mounting brackets
- Anti-skid lining
- Drawer front (NOT) included
- The overall safety of this product is determined by its end use
- TSCA Title VI compliant



Item #	Description	Dimensions
RV4VOD-18SC1	For 18" Full Height Face Frame Vanity Base Cabinet	15"W x 20-1/8"D x 8-15/16"H
RV4VOD-18FLSC1	For 18" Full Height Frameless Vanity Base Cabinet	16-1/2"W x 20-1/8"D x 8-15/16"H

## REV-A-SHELF VANITY DRAWERS

### Vanity Drawer Systems



- Rev-A-Shelf's 4VDO Series
- Designed for Face Frame and Frameless 12", 15", and 18" vanity base cabinet drawers
- Complete drawer system, just add your drawer front
- Maple construction with semi-gloss finish
- Mounts to cabinet side and rear wall
- Full-extension, 110 lb. rated, concealed slides w/BLUMOTION soft-close
- TSCA Title VI compliant
- Up to (7) compartments and up to (5) acrylic bins
- Non-skid vinyl lining
- Figure-8 door mounting brackets



Single Drawer System



Half Tiered Drawer System



Tiered Drawer System

Item #	Description	Dimensions
<b>Vanity Single Drawer System w/BLUMOTION Soft-Close</b>		
RV4VDO-12SC	Single, for 12" Face Frame Cab	9"W x 18-11/16"D x 4-5/16"H
RV4VDO-15SC	Single, for 15" Face Frame Cab	12"W x 18-11/16"D x 4-5/16"H
RV4VDO-18SC	Single, for 18" Face Frame Cab	15"W x 18-11/16"D x 4-5/16"H
RV4VDO-267FLSC	Single, for 12" Frameless Cab	10-1/2"W x 18-11/16"D x 4-5/16"H
RV4VDO-3RV43FLSC	Single, for 15" Frameless Cab	13-1/2"W x 18-11/16"D x 4-5/16"H
RV4VDO-RV419FLSC	Single, for 18" Frameless Cab	16-1/2"W x 18-11/16"D x 4-5/16"H
<b>Vanity Half Tiered Drawer System w/BLUMOTION Soft-Close (Includes: Half Top Tray)</b>		
RV4VDOHT-12SC	Half Tiered, for 12" Face Frame Cab	9"W x 18-11/16"D x 8"H
RV4VDOHT-15SC	Half Tiered, for 15" Face Frame Cab	12"W x 18-11/16"D x 8"H
RV4VDOHT-18SC	Half Tiered, for 18" Face Frame Cab	15"W x 18-11/16"D x 8"H
RV4VDOHT-267FLSC	Half Tiered, for 12" Frameless Cab	10-1/2"W x 18-11/16"D x 8"H
RV4VDOHT-3RV43FLSC	Half Tiered, for 15" Frameless Cab	13-1/2"W x 18-11/16"D x 8"H
RV4VDOHT-RV419FLSC	Half Tiered, for 18" Frameless Cab	16-1/2"W x 18-11/16"D x 8"H
<b>Vanity Tiered Drawer System w/BLUMOTION Soft-Close (Includes: Full Top Tray)</b>		
RV4VDOT-12SC	Tiered, for 12" Face Frame Cab	9"W x 18-11/16"D x 8"H
RV4VDOT-15SC	Tiered, for 15" Face Frame Cab	12"W x 18-11/16"D x 8"H
RV4VDOT-18SC	Tiered, for 18" Face Frame Cab	15"W x 18-11/16"D x 8"H
RV4VDOT-267FLSC	Tiered, for 12" Frameless Cab	10-1/2"W x 18-11/16"D x 8"H
RV4VDOT-3RV43FLSC	Tiered, for 15" Frameless Cab	13-1/2"W x 18-11/16"D x 8"H
RV4VDOT-RV419FLSC	Tiered, for 18" Frameless Cab	16-1/2"W x 18-11/16"D x 8"H

A  
B  
C  
D  
E  
F  
G  
H  
I  
J  
K  
L  
M  
N  
O  
P  
Q  
R  
S  
T  
U  
V  
W  
X  
Y

**A REV-A-SHELF VANITY PULL-OUT SHELF ORGANIZERS**

B  
C  
D  
E  
F  
G  
H  
I  
J  
K  
L  
M  
N  
O  
P  
Q  
R  
S  
T  
U  
V  
W  
X  
Y



U-Shaped Pull-Out, Bottom Mount



U-Shaped Pull-Out, Side Mount

**U-Shaped Vanity Pull-Out Organizer**



- Rev-A-Shelf's 486 Series
- Designed for 30" face frame vanity sink base cabinets
- Maple construction with semi-gloss finish
- Full-extension, 90 lb. rated, concealed slides w/BLUMOTION soft-close
- Bottom Mount Includes: (1) 8Qt Silver Bin w/lid & (4) adj. dividers
- Side Mount Includes: (2) acrylic bins & (4) adj. dividers
- Non-skid vinyl lining
- TSCA Title VI compliant



Item #	Description	Dimensions
<b>Vanity U-Shaped Pull-Outs w/BLUMOTION Soft-Close</b>		
RV486-30VSBSC-BM	Bottom Mount w/8QT Bin, for 30" Vanity Sink Base Cabinet	25-11/16"W x 18-11/16"D x 14-1/4"H
RV486-30VSBSC-SM	Side Mount, for 30" Vanity Sink Base Cabinet	27-9/16" - 28-3/4" W x 19"D x 6-1/2"H

**L-Shaped Vanity Pull-Out Organizer**



- Rev-A-Shelf's 441 Series
- Designed for 24" & 30" face frame vanity sink base cabinets
- Maple dovetail construction with semi-gloss finish
- Full-extension, 90 lb. rated, concealed slides w/BLUMOTION soft-close
- Includes: (6) acrylic bins for upper level
- Mounts to cabinet floor
- Non-skid vinyl lining on lower level
- TSCA Title VI compliant



Item #	Description	Dimensions
<b>Vanity L-Shaped Organizer Pull-Outs w/BLUMOTION Soft-Close (Designed to Avoid Plumbing)</b>		
RV441-12VSBSC	For 24" Vanity Sink Base Cabinet	8-3/4"W x 18-3/4"D x 18-7/8"H
RV441-15VSBSC	For 30" Vanity Sink Base Cabinets	11-11/16"W x 18-3/4"D x 18-7/8"H



**REV-A-SHELF VANITY CABINET DOOR ORGANIZERS**

A  
B  
C  
D  
E  
F  
G  
H  
I  
J  
K  
L  
M  
N  
O  
P  
Q  
R  
S  
T  
U  
V  
W  
X  
Y



**Vanity Storage Rack**



- Rev-A-Shelf's 4VR Series
- Maple frame with semi-gloss finish
- Mounts to cabinet door
- Includes adjustable door mounting brackets
- Includes (2) non-skid vinyl shelves with acrylic accents
- TSCA Title VI compliant

Item #	Description	Dimensions
<b>Vanity Door Mount Storage Rack</b>		
RV4VR-12	For 12" Vanity Base Cabinets	8-1/4"W x 3-1/8"D x 15-1/2"H
RV4VR-15	For 15" Vanity Base Cabinets	11-1/4"W x 3-1/8"D x 15-1/2"H
RV4VR-18	For 18" Vanity Base Cabinets	14-1/4"W x 3-1/8"D x 15-1/2"H
RV4VR-21	For 21" Vanity Base Cabinets	17-1/4"W x 3-1/8"D x 15-1/2"H
RV4VR-24	For 24" Vanity Base Cabinets	20-1/4"W x 3-1/8"D x 15-1/2"H



**Vanity Appliance Storage Racks**



- Designed for 30" vanity base (butt door) cabinets
- Natural maple frame with semi-gloss finish
- Mounts to cabinet door
- Non-skid lining on lower level shelf
- (2) 1.25 qt. stainless steel bins
- Patented adjustable mounting brackets
- TSCA Title VI compliant

Item #	Description	Dimensions
RV4HD-15	Vanity Appliance Door Mount Storage Racks	10-3/4"W x 6"D x 13-7/8"H



**Vanity Scale Holder**



- Designed for 15" vanity base cabinets
- Scale clip holds a minimum thickness of 0.8" to 2.0" maximum
- Natural maple frame with semi-gloss finish
- Torsion spring with non-skid coating
- Patented adjustable door mounting brackets
- TSCA Title VI compliant
- NOTE: Scale is NOT included

Item #	Description	Dimensions
RV4SH-15	Vanity Door Mount Scale Holder	10-1/2"W x 3-5/8"D x 12-1/2"H

**A REV-A-SHELF PULL-OUT IRONING BOARDS**

A  
B  
C  
D  
E  
F  
G  
H  
I  
J  
K  
L  
M  
N  
O  
P  
Q  
R  
S  
T  
U  
V  
W  
X  
Y



**Vanity Drawer Insert Organizer**



- Designed for 22" or smaller vanity cabinet drawers
- Natural maple frame with semi-gloss finish
- Trim-to-fit existing drawer
- Drop-in installation
- Anti-skid vinyl lining
- Up to (13) compartments
- (2) clear acrylic lids

Item #	Description	Dimensions
RV4VCOS-22	Vanity Drawer Insert Organizer	21-3/4"W x 21-1/8"D x 2"H



**Drawer Pull-Out Ironing Boards For Vanity & Closet Drawers**



- Fully extends to 37-1/2"L x 12"W
- The vanity drawer unit has an expandable frame that enables the unit to be used in applications with cabinet side widths between 14-1/4" and 21" and drawer depths of 20"
- Features a board that fully extends to 29" L x 12"W
- The closet drawer ironing board pull-out has an expandable frame that enables the unit to be used in applications with cabinet widths between 14-1/4" and 21" and drawer depths of 16"
- Both the vanity drawer and closet drawer units feature a chrome finish and unique ball bearing slide systems that provide sufficient over-travel for maximum utilization, both units include board covers

A



B

	Item #	Description	Dimensions	Finish
A	RVCIB-16CR	Closet Drawer Pull-Out Ironing Board	14.25"-21" Adj. W x 3.67"H	Chrome
B	RVVIB-20CR	Vanity Drawer Pull-Out Ironing Board	14.25"-21" Adj. W x 3.67"H	Chrome
	RVCIB-COVER-R	Replacement cover for closet model, RVCIB-16CR		Silver
	RVVIB-COVER-R	Replacement cover for vanity model, RVCIB-20CR		Silver

**SECTION L - TABLE OF CONTENTS**

**Section L Contents:**

Corbels, Bun Feet & Columns.....	2-11
Decorative Wire Grills .....	12
Panel Spacers.....	13
Tambour.....	14-16
MDF Moldings .....	16

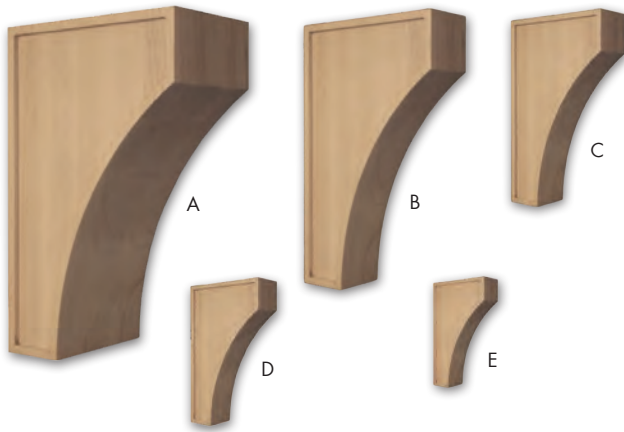


A  
B  
C  
D  
E  
F  
G  
H  
I  
J  
K  
L  
M  
N  
O  
P  
Q  
R  
S  
T  
U  
V  
W  
X  
Y



**A MISSION COLLECTION**

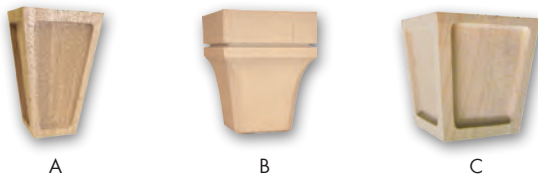
**Wood Corbels**



	Item #	Description	Dimensions
A	PRODW11001	Extra Large Corbel	4-3/4"W x 22"H x 12"D
B	PRODW11002	Large Corbel	3"W x 14"H x 8-1/2"D
C	PRODW11003	Medium Corbel	3"W x 10"H x 6"D
D	PRODW11004	Small Corbel	3"W x 7"H x 4-1/2"D
E	PRODW11005	X-Small Corbel	3"W x 5"H x 3"D

NOTE: See below for wood species codes.

**Wood Bun Feet**



	Item #	Dimensions
A	PRODW11006	2-1/2"sq. x 4"H
B	PRODW11007	3-1/2"sq. x 4"H
C	PRODW11008	3-3/4"sq. x 4"H

NOTE: See below for wood species codes.

**Wood Columns**



	Item #	Dimensions
A	PRODW11009	3"sq. x 36"H
	PRODW11010*	3"W x 36"H x 1-1/2"D
	PRODW11011	3"sq. x 42"H
	PRODW11012*	3"W x 42"H x 1-1/2"D
	PRODW11013	3-1/2"sq. x 36"H
	PRODW11014*	3-1/2"W x 36"H x 1-3/4"D
	PRODW11015	3-1/2"sq. x 42"H
	PRODW11016*	3-1/2"W x 42"H x 1-3/4"D
	PRODW11017	5"sq. x 36"H
	PRODW11018*	5"W x 36"H x 2-1/2"D
	PRODW11019	5"sq. x 42"H
	PRODW11020*	5"W x 42"H x 2-1/2"D
C	PRODW11033	3"sq. x 36"H
	PRODW11034	3"sq. x 42"H
	PRODW11035	3-1/2"sq. x 36"H
	PRODW11036	3-1/2"sq. x 42"H
	PRODW11037	5"sq. x 36"H
	PRODW11038	5"sq. x 42"H

	Item #	Dimensions
B	PRODW11021	3"sq. x 36"H
	PRODW11022*	3"W x 36"H x 1-1/2"D
	PRODW11023	3"sq. x 42"H
	PRODW11024*	3"W x 42"H x 1-1/2"D
	PRODW11025	3-1/2"sq. x 36"H
	PRODW11026*	3-1/2"W x 36"H x 1-3/4"D
	PRODW11027	3-1/2"sq. x 42"H
	PRODW11028*	3-1/2"W x 42"H x 1-3/4"D
	PRODW11029	5"sq. x 36"H
	PRODW11030*	5"W x 36"H x 2-1/2"D
	PRODW11031	5"sq. x 42"H
	PRODW11032*	5"W x 42"H x 2-1/2"D

NOTE: See below for wood species codes.

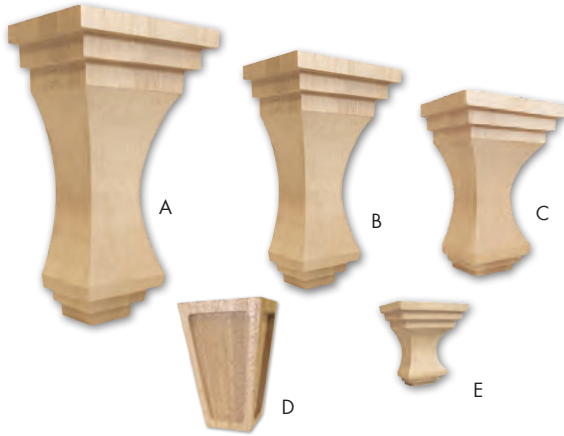
\* = Sold in pairs.

Species Codes
Alder = AL
Cherry = CH
Maple = MA

Add species code to the end of the item number.

**METRO COLLECTION**

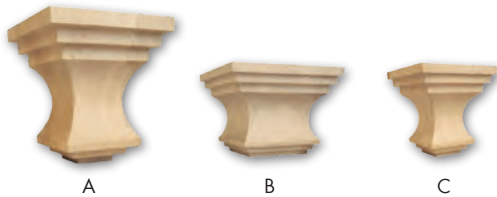
**Wood Corbels**



	Item #	Description	Dimensions
A	PRODW11039	Extra Large Corbel	8-1/2"W x 22"H x 5-1/2"D
B	PRODW11040	Large Corbel	8"W x 12"H x 5"D
C	PRODW11041	Medium Corbel	6-1/2"W x 9"H x 4-1/2"D
D	PRODW11042	Small Corbel	5-1/4"W x 6"H x 2-1/2"D
E	PRODW11043	X-Small Corbel	4"W x 4"H x 1-7/8"D

NOTE: See below for wood species codes.

**Wood Bun Feet**



	Item #	Dimensions
A	PRODW11059	5-1/4"sq. x 6"H
B	PRODW11060	4-3/4"sq. x 4"H
C	PRODW11061	4"sq. x 4"H

NOTE: See below for wood species codes.

**Wood Columns**



	Item #	Dimensions
A	PRODW11044	3"sq. x 36"H
	PRODW11045*	3"W x 36"H x 1-1/2"D
	PRODW11046	3"sq. x 42"H
	PRODW11047*	3"W x 42"H x 1-1/2"D
	PRODW11048	3-1/2"sq. x 36"H
	PRODW11049*	3-1/2"W x 36"H x 1-3/4"D
	PRODW11050	3-1/2"sq. x 42"H
	PRODW11051*	3-1/2"W x 42"H x 1-3/4"D
	PRODW11052	5"sq. x 36"H
	PRODW11053*	5"W x 36"H x 2-1/2"D
	PRODW11054	5"sq. x 42"H
PRODW11055*	5"W x 42"H x 2-1/2"D	
B	PRODW11056	2-3/4"sq. x 36"H
	PRODW11057	3-1/2"sq. x 36"H
	PRODW11058	4-3/4"sq. x 36"H

NOTE: See below for wood species codes.

\* = Sold in pairs.

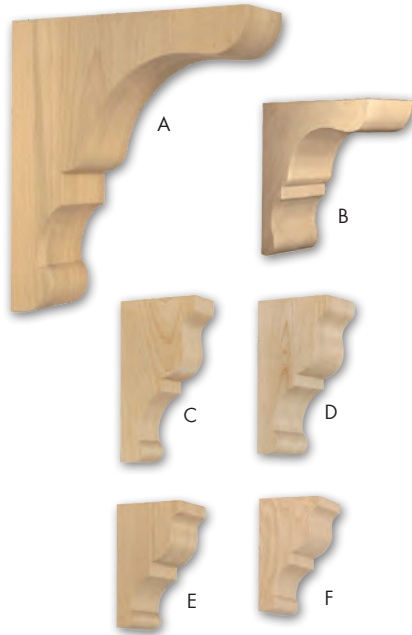
Species Codes
Alder = AL
Cherry = CH
Maple = MA

Add species code to the end of the item number.

A  
B  
C  
D  
E  
F  
G  
H  
I  
J  
K  
L  
M  
N  
O  
P  
Q  
R  
S  
T  
U  
V  
W  
X  
Y

**A TRANSITIONAL COLLECTION**

**Wood Corbels**

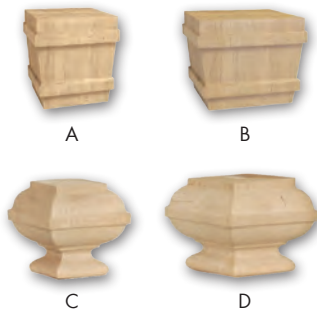


	Item #	Description	Dimensions
A	PRODW11062	Rangehood Corbel	3"W x 18"H x 16"D
	PRODW11063	Rangehood Corbel	4-3/4"W x 18"H x 16"D
B	PRODW11064	Overhang Bracket	1-3/4"W x 10"H x 10"D
	PRODW11065	Overhang Bracket	3"W x 10"H x 10"D
C	PRODW11066	Overhang Bracket	4-3/4"W x 10"H x 10"D
	PRODW11067	Large Bar Bracket	1-3/4"W x 12-3/4"H x 6-9/16"D
	PRODW11068	Large Bar Bracket	3"W x 12-3/4"H x 6-9/16"D
D	PRODW11069	Large Bar Bracket	4-3/4"W x 12-3/4"H x 6-9/16"D
	PRODW11070	Medium Bar Bracket	1-3/4"W x 9-1/2"H x 4-7/8"D
	PRODW11071	Medium Bar Bracket	3"W x 9-1/2"H x 4-7/8"D
E	PRODW11072	Medium Bar Bracket	4-3/4"W x 9-1/2"H x 4-7/8"D
	PRODW11073	Small Bar Bracket	1-3/4"W x 7-1/2"H x 4-1/4"D
	PRODW11074	Small Bar Bracket	3"W x 7-1/2"H x 4-1/4"D
F	PRODW11075	Small Bar Bracket	4-3/4"W x 7-1/2"H x 4-1/4"D
	PRODW11076	X-Small Bar Bracket	1-3/4"W x 6-1/8"H x 3-1/2"D
	PRODW11077	X-Small Bar Bracket	3"W x 6-1/8"H x 3-1/2"D
	PRODW11078	X-Small Bar Bracket	4-3/4"W x 6-1/8"H x 3-1/2"D



NOTE: See below for wood species codes.

**Wood Bun Feet**



	Item #	Dimensions
A	PRODW11079	3-1/2"sq. x 4"H
B	PRODW11080	4-1/2"sq. x 4"H
C	PRODW11081	3-1/2"sq. x 3-3/4"H
D	PRODW11082	4-1/2"sq. x 3-3/4"H

NOTE: See below for wood species codes.

**Wood Columns**



	Item #	Dimensions
A	PRODW11083	2-3/4"sq. x 36"H *2-3/4" at beads
	PRODW11084	2-3/4"sq. x 42"H *2-3/4" at beads
B	PRODW11085	4-3/4"sq. x 36"H *4-3/4" at beads
	PRODW11086	4-3/4"sq. x 42"H *4-3/4" at beads
C	PRODW11087	3-3/8"sq. x 36"H *3-3/8" at beads
	PRODW11088	3-3/8"sq. x 42"H *3-3/8" at beads

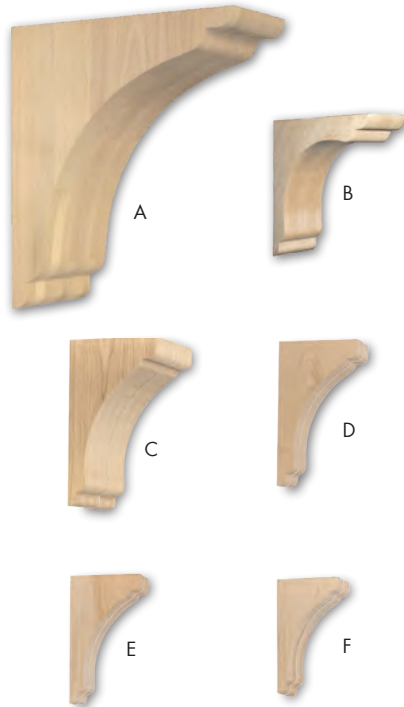
NOTE: See below for wood species codes.

Species Codes
Alder = AL
Cherry = CH
Maple = MA

Add species code to the end of the item number.

**SHAKER COLLECTION**

**Wood Corbels**

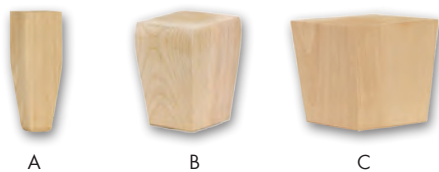


	Item #	Description	Dimensions
A	PRODW11089	Rangehood Corbel	3"W x 18"H x 16"D
	PRODW11090	Rangehood Corbel	4-3/4"W x 18"H x 16"D
B	PRODW11091	Overhang Bracket	1-3/4"W x 10"H x 10"D
	PRODW11092	Overhang Bracket	3"W x 10"H x 10"D
	PRODW11093	Overhang Bracket	4-3/4"W x 10"H x 10"D
C	PRODW11094	Large Bar Bracket	1-3/4"W x 14-5/32"H x 8"D
	PRODW11095	Large Bar Bracket	3"W x 14-5/32"H x 8"D
	PRODW11096	Large Bar Bracket	4-3/4"W x 14-5/32"H x 8"D
D	PRODW11097	Medium Bar Bracket	1-3/4"W x 10-5/8"H x 5-1/2"D
	PRODW11098	Medium Bar Bracket	3"W x 10-5/8"H x 5-1/2"D
	PRODW11099	Medium Bar Bracket	4-3/4"W x 10-5/8"H x 5-1/2"D
E	PRODW11100	Small Bar Bracket	1-3/4"W x 9"H x 5"D
	PRODW11101	Small Bar Bracket	3"W x 9"H x 5"D
	PRODW11102	Small Bar Bracket	4-3/4"W x 9"H x 5"D
F	PRODW11103	X-Small Bar Bracket	1-3/4"W x 7-3/16"H x 4"D
	PRODW11104	X-Small Bar Bracket	3"W x 7-3/16"H x 4"D
	PRODW11105	X-Small Bar Bracket	4-3/4"W x 7-3/16"H x 4"D



NOTE: See below for wood species codes.

**Wood Bun Feet**



	Item #	Dimensions
A	PRODW11106	2-1/4"sq. x 5"H
B	PRODW11107	3-1/2"sq. x 4-1/2"H
C	PRODW11108	4-1/2"sq. x 4-1/2"H

NOTE: See below for wood species codes.

**Wood Columns**



	Item #	Dimensions
A	PRODW11109	3"sq. x 36"H
	PRODW11110	3"sq. x 42"H
B	PRODW11111	3-1/2"sq. x 36"H
	PRODW11112	3-1/2"sq. x 42"H
C	PRODW11113	5"sq. x 36"H
	PRODW11114	5"sq. x 42"H

NOTE: See below for wood species codes.

**Species Codes**

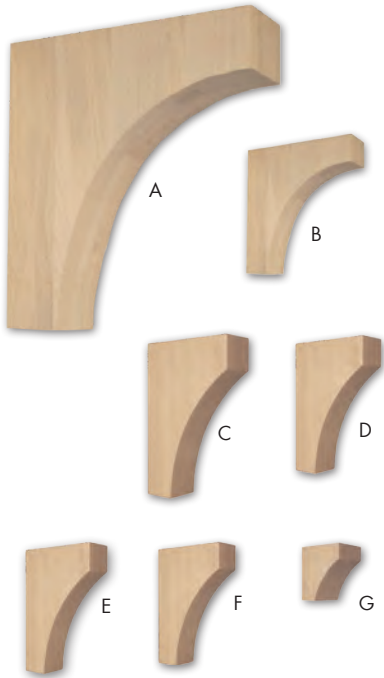
- Alder = AL
- Cherry = CH
- Maple = MA

Add species code to the end of the item number.

A  
B  
C  
D  
E  
F  
G  
H  
I  
J  
K  
L  
M  
N  
O  
P  
Q  
R  
S  
T  
U  
V  
W  
X  
Y

**A CONTEMPORARY COLLECTION**

**Wood Corbels**



	Item #	Description	Dimensions
A	PRODW11115	Rangehood Corbel	3"W x 18"H x 16"D
	PRODW11116	Rangehood Corbel	4-3/4"W x 18"H x 16"D
B	PRODW11117	Overhang Bracket	1-3/4"W x 10"H x 10"D
	PRODW11118	Overhang Bracket	3"W x 10"H x 10"D
	PRODW11119	Overhang Bracket	4-3/4"W x 10"H x 10"D
C	PRODW11120	Large Bar Bracket	1-3/4"W x 12"H x 8"D
	PRODW11121	Large Bar Bracket	3"W x 12"H x 8"D
D	PRODW11123	Medium Bar Bracket	1-3/4"W x 9"H x 6-1/2"D
	PRODW11124	Medium Bar Bracket	3"W x 9"H x 6-1/2"D
	PRODW11125	Medium Bar Bracket	4-3/4"W x 9"H x 6-1/2"D
E	PRODW11126	Small Bar Bracket	1-3/4"W x 7-1/2"H x 5"D
	PRODW11127	Small Bar Bracket	3"W x 7-1/2"H x 5"D
	PRODW11128	Small Bar Bracket	4-3/4"W x 7-1/2"H x 5"D
F	PRODW11129	X-Small Bar Bracket	1-3/4"W x 6"H x 4"D
	PRODW11130	X-Small Bar Bracket	3"W x 6"H x 4"D
G	PRODW11132	Petite Bar Bracket	1-3/4"W x 3"H x 3"D
	PRODW11133	Petite Bar Bracket	3"W x 3"H x 3"D
	PRODW11134	Petite Bar Bracket	4-3/4"W x 3"H x 3"D



NOTE: See below for wood species codes.

**Wood Bun Feet**



	Item #	Dimensions
A	PRODW11141	2-3/4"sq. x 4-1/4"H
B	PRODW11142	4-3/4"sq. x 4-1/4"H

NOTE: See below for wood species codes.

**Wood Columns**



	Item #	Dimensions
A	PRODW11135	3"sq. x 36"H
	PRODW11136	3"sq. x 42"H
B	PRODW11137	3-1/2"sq. x 36"H
	PRODW11138	3-1/2"sq. x 42"H
C	PRODW11139	5"sq. x 36"H
	PRODW11140	5"sq. x 42"H

NOTE: See below for wood species codes.

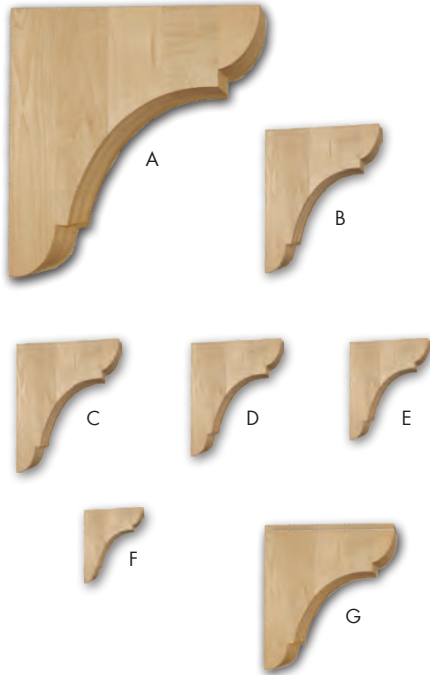
Species Codes
Alder = AL
Cherry = CH
Maple = MA

Add species code to the end of the item number.



**CLASSIC COLLECTION**

**Wood Corbels**

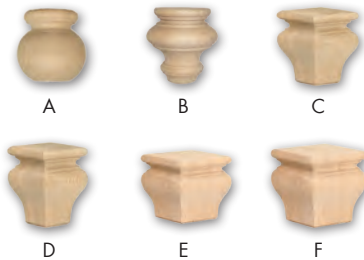


	Item #	Description	Dimensions
A	PRODW11143	Rangehood Corbel	3"W x 18"H x 16"D
	PRODW11144	Rangehood Corbel	4-3/4"W x 18"H x 16"D
B	PRODW11145	Large Bar Bracket	1-3/4"W x 12"H x 8"D
	PRODW11146	Large Bar Bracket	3"W x 12"H x 8"D
	PRODW11147	Large Bar Bracket	4-3/4"W x 12"H x 8"D
C	PRODW11148	Medium Bar Bracket	1-3/4"W x 9"H x 6-1/2"D
	PRODW11149	Medium Bar Bracket	3"W x 9"H x 6-1/2"D
	PRODW11150	Medium Bar Bracket	4-3/4"W x 9"H x 6-1/2"D
D	PRODW11151	Small Bar Bracket	1-3/4"W x 7-1/2"H x 5"D
	PRODW11152	Small Bar Bracket	3"W x 7-1/2"H x 5"D
	PRODW11153	Small Bar Bracket	4-3/4"W x 7-1/2"H x 5"D
E	PRODW11154	X-Small Bar Bracket	1-3/4"W x 6"H x 4"D
	PRODW11155	X-Small Bar Bracket	3"W x 6"H x 4"D
	PRODW11156	X-Small Bar Bracket	4-3/4"W x 6"H x 4"D
F	PRODW11157	Petite Bar Bracket	1-3/4"W x 3"H x 3"D
	PRODW11158	Petite Bar Bracket	3"W x 3"H x 3"D
G	PRODW11159	Overhang Bracket	1-3/4"W x 10"H x 10"D
	PRODW11160	Overhang Bracket	3"W x 10"H x 10"D
	PRODW11161	Overhang Bracket	4-3/4"W x 10"H x 10"D



NOTE: See below for wood species codes.

**Wood Bun Feet**



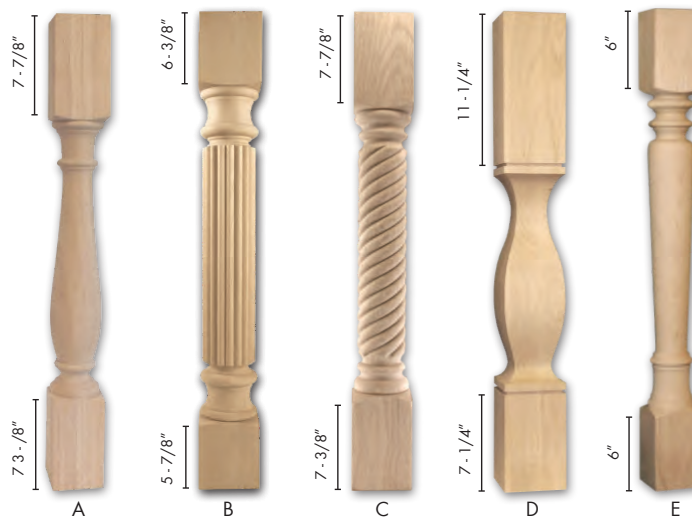
	Item #	Dimensions
A	PRODW11162	3-1/2" dia. x 4"H
B	PRODW11163	3-5/8" dia. x 4"H
C	PRODW11164	3-1/2"sq. x 4"H
D	PRODW11165	3-1/2"sq. x 4-1/2"H
E	PRODW11166	4-5/8"sq. x 4"H
F	PRODW11167	4-5/8"sq. x 4-1/2"H

NOTE: See below for wood species codes.

Species Codes
Alder = AL
Cherry = CH
Maple = MA

Add species code to the end of the item number.

**Wood Columns**



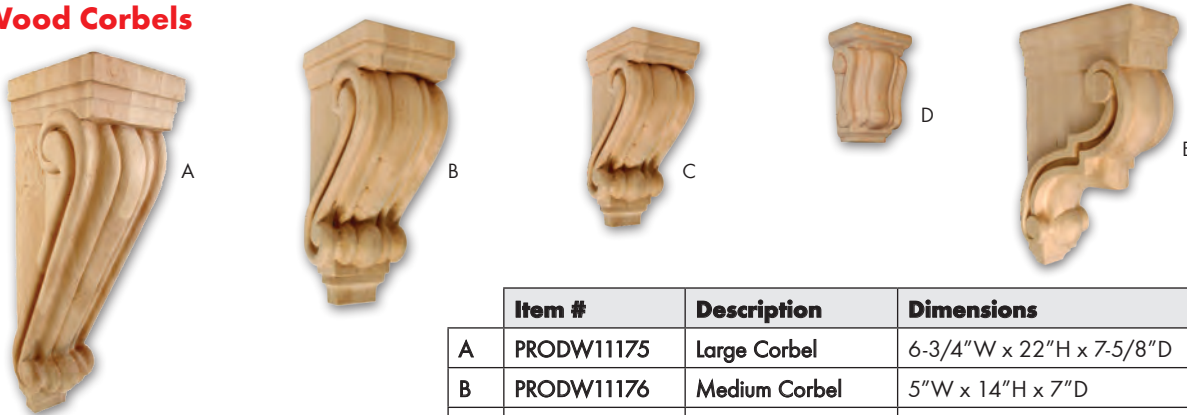
	Item #	Dimensions		Item #	Dimensions
A	PRODW11168	3-1/2"sq. x 36"H	D	PRODW11171	3-1/2"sq. x 36"H
B	PRODW11169	3-1/2"sq. x 36"H		PRODW11172	4-3/4"sq. x 36"H
C	PRODW11170	3-1/2"sq. x 36"H	E	PRODW11173	3-1/2"sq. x 36"H
				PRODW11174	5"sq. x 36"H

NOTE: See below for wood species codes.

A  
B  
C  
D  
E  
F  
G  
H  
I  
J  
K  
L  
M  
N  
O  
P  
Q  
R  
S  
T  
U  
V  
W  
X  
Y

**A TRADITIONAL COLLECTION**

**Wood Corbels**

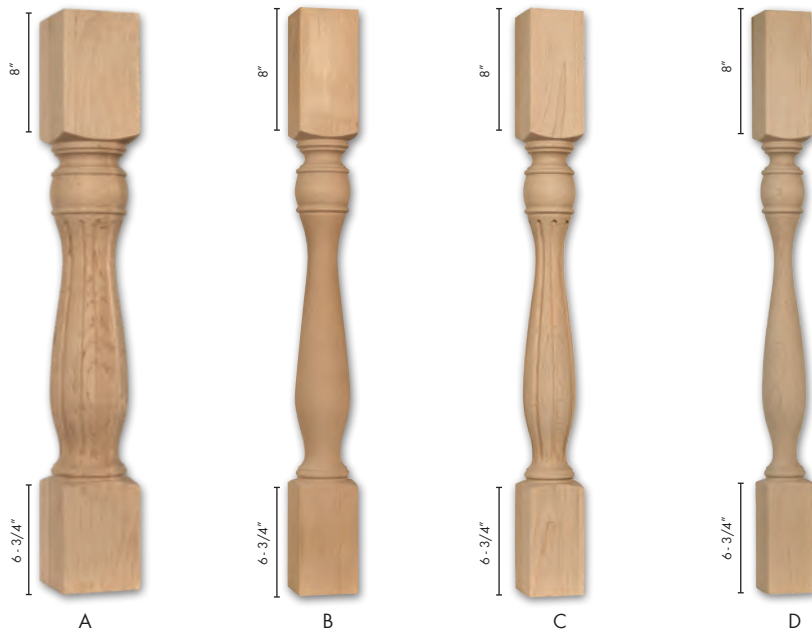


**PRO**  
VALUE SERIES

	Item #	Description	Dimensions
A	PRODW11175	Large Corbel	6-3/4"W x 22"H x 7-5/8"D
B	PRODW11176	Medium Corbel	5"W x 14"H x 7"D
C	PRODW11177	Small Corbel	4-1/2"W x 10"H x 5-1/4"D
D	PRODW11178	Mini Corbel	2-7/8"W x 4-1/4"H x 1-3/4"D
E	PRODW11179	Bar Bracket	3-3/8"W x 13"H x 7-3/4"D

NOTE: See below for wood species codes.

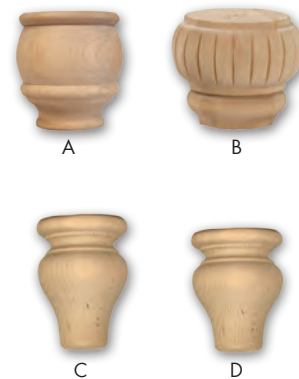
**Wood Columns**



	Item #	Dimensions	Item #	Dimensions	
A	PRODW11180	3-3/4"sq. x 36"H	C	PRODW11188†	3"sq. x 36"H
	PRODW11181	3-3/4"sq. x 42"H		PRODW11189	3"sq. x 42"H
	PRODW11182	5"sq. x 36"H		PRODW11190	3-1/2"sq. x 36"H
	PRODW11183	5"sq. x 42"H		PRODW11191	3-1/2"sq. x 42"H
B	PRODW11184	3-3/4"sq. x 36"H	D	PRODW11192	3"sq. x 36"H
	PRODW11185	3-3/4"sq. x 42"H		PRODW11193	3"sq. x 42"H
	PRODW11186	5"sq. x 36"H		PRODW11194	3-1/2"sq. x 36"H
	PRODW11187	5"sq. x 42"H		PRODW11195	3-1/2"sq. x 42"H

NOTE: See below for wood species codes.

**Wood Bun Feet**



	Item #	Dimensions
A	PRODW11196	3-1/2" dia. x 4"H
B	PRODW11197	4-3/4" dia. x 4"H
C	PRODW11198	3-1/2" dia. x 4-1/2"H
D	PRODW11199	3-1/2" dia. x 4"H

NOTE: See below for wood species codes.

**Species Codes**

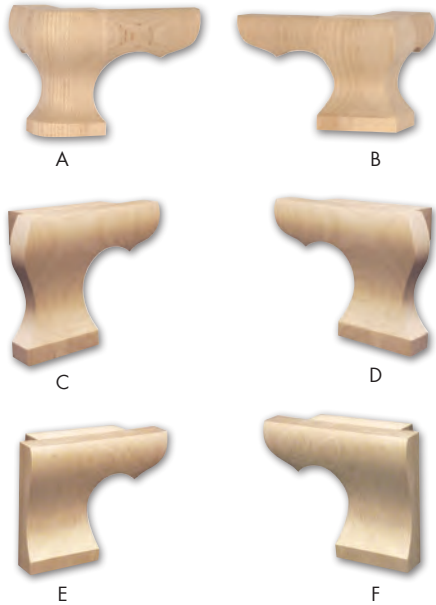
Alder = AL  
Cherry = CH  
Maple = MA

Add species code to the end of the item number.

† = Not offered in Alder.

**TRADITIONAL COLLECTION**

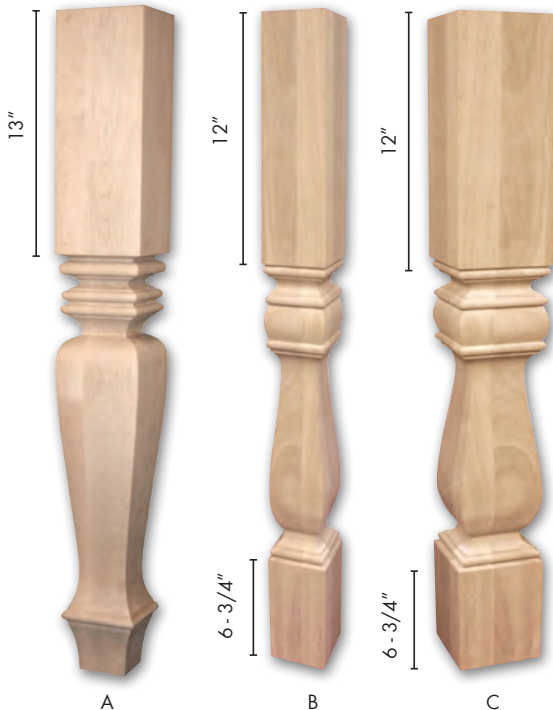
**Wood Pedestal Feet**



	Item #	Description	Dimensions
A	PRODW11204†	Round Faced Corner Pedestal Foot	4"H x 6"W x 6"D
	PRODW11205†	Round Faced Corner Pedestal Foot	4-1/2"H x 6"W x 6"D
B	PRODW11206	Square Faced Corner Pedestal Foot	4"H x 6"W x 6"D
	PRODW11207†	Square Faced Corner Pedestal Foot	4-1/2"H x 6"W x 6"D
C	PRODW11208†	Curved Edge Pedestal Foot (Left)	4"H x 6"W x 1"D
	PRODW11209†	Curved Edge Pedestal Foot (Left)	4-1/2"H x 6"W x 1"D
D	PRODW11210†	Curved Edge Pedestal Foot (Right)	4"H x 6"W x 1"D
	PRODW11211†	Curved Edge Pedestal Foot (Right)	4-1/2"H x 6"W x 1"D
E	PRODW11212†	Straight Edge Pedestal Foot (Left)	4"H x 6"W x 1"D
	PRODW11213†	Straight Edge Pedestal Foot (Left)	4-1/2"H x 6"W x 1"D
F	PRODW11214†	Straight Edge Pedestal Foot (Right)	4"H x 6"W x 1"D
	PRODW11215†	Straight Edge Pedestal Foot (Right)	4-1/2"H x 6"W x 1"D

NOTE: See below for wood species codes.

**Wood Columns**



	Item #	Dimensions
A	PRODW11200	5"sq. x 36"H
B	PRODW11201	3-1/2"sq. x 36"H
C	PRODW11202	5"sq. x 36"H

NOTE: See below for wood species codes.

Species Codes
Alder = AL
Cherry = CH
Maple = MA

Add species code to the end of the item number.  
† = Not offered in Alder.

A  
B  
C  
D  
E  
F  
G  
H  
I  
J  
K  
L  
M  
N  
O  
P  
Q  
R  
S  
T  
U  
V  
W  
X  
Y

**A WOOD CORBELS & ROPE MOLDINGS**

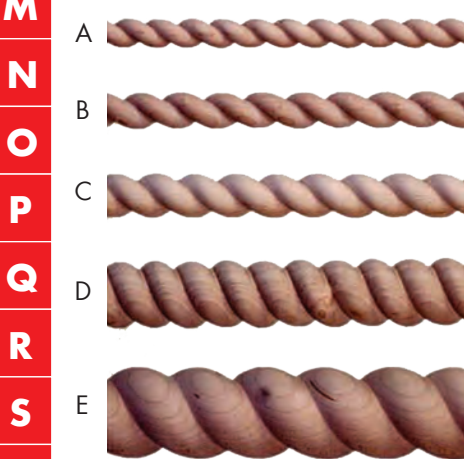


**Bar Bracket Corbels**  
**Machined Wood Bar Bracket Corbels**



- Omega National's premium line of bar bracket corbels
  - Five wood species available: Alder, Cherry, Maple, Hickory and Red Oak
  - All items are unfinished wood, produced from North American hardwoods
- Packing: Full box quantities of 2.  
 Sold In: Full box quantities only.

Dimensions	Alder Item #	Cherry Item #	Maple Item #	Hickory Item #	Red Oak Item #	Box Qty
2"W x 6" D x 8"H	OMS1102QUF2	-	OMS1102MUF2	OMS1102HUF2	-	2
2"W x 8"D x 10"H	OMS1101QUF2	OMS1101CUF2	OMS1101MUF2	-	OMS1101OUF2	2



**Split Rope Moldings**  
**Value Priced 4' & 8' Lengths**



- Economy line of machine made split rope moldings
- Rope Moldings are available in five widths ranging from 1/4" - 1"
- All items are unfinished wood

	Size	Cherry Item #	Maple Item #	Oak Item #	Poplar Item #
A	1/4"W x 48"L	PROMS00112CH	PROMS00112MP	-	-
B	3/8"W x 96"L	PROMS00222CH	PROMS00222MP	-	-
C	1/2"W x 96"L	PROMS00422CH	PROMS00422MP	-	-
D	3/4"W x 96"L	PROMS00622CH	PROMS00622MP	PROMS00622OK	PROMS00622PO
E	1"W x 96"L	PROMS00722CH	PROMS00722MP	-	-

**BUN FEET & DOOR INSERTS**



**Wood Bun Feet Machine Made**

- Hanger bolt not included with styles A - D  
5/16" diameter hanger bolt included in style E
- Unfinished wood



Style	Dimensions	Alder Item #	Hardwood Item #	Maple Item #	
<b>Hanger Bolt Not Included</b>					
A	Large Ball	4-7/8" W x 4"H	-	-	GWBALL5-M
B	Poppy	4" W x 4-1/2"H	-	-	GWBFPOP-M
C	Marseille	3-5/8" W x 4"H	GWBF4-A	GWBF4-H	GWBF4-M
D	Contemporary	3-1/2" W x 3"H	GWBF2744-A	-	-
<b>5/16" Diameter Hanger Bolt Included</b>					
E	Tulip	3-1/4" W x 4-3/4"H	-	-	GWBF44-M



**Wood Louver Door Panel Kit**

- Machine made, unfinished wood
- Includes: (36) 36" moulded louver slats,  
(6) 36" routed side stiles (3-lefts and 3-rights)
- Routed side styles are designed to hold louver slats at 45° angle
- Door frames are not included
- Unfinished wood
- Made in the USA



Item #	Species
OML1001MUF1	Maple



**Mini Diagonal Lattice Door Inserts**

- Machine made solid wood Maple door inserts
- Sanded, ready to finish



Item #	Thickness	Overall Size	Cell Size
OMLATDS2448MA	5/32"	24"W x 48"H	1/2"

A  
B  
C  
D  
E  
F  
G  
H  
I  
J  
K  
L  
M  
N  
O  
P  
Q  
R  
S  
T  
U  
V  
W  
X  
Y

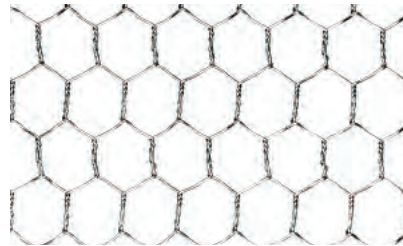
**A WIRE GRILLS**

**Decorative Wire Grills**

• Made in the USA • Grilles can be cleaned with any NON-AMMONIA based cleaners • Sold in 36" x 48" sheets



A



B



C



D



E



F



G



H



I

	Wire Style	Item #	Wire Size	Mesh Size	Sheet Size	Finish
A	Flat	KT1214-AB	.072"	1/2"	36" x 48"	Antique Brass
	Flat	KT1214-AP	.072"	1/2"	36" x 48"	Antique Pewter
B	Twist	KT1220	.23 Gauge	1/2" Hex	36" x 48"	Antique Brass
C	Flat	KT1141	.080"	1" & 1/4"	36" x 48"	Antique Brass
D	Press	KT332	.080"	3/4"	36" x 48"	Antique Brass
	Press	KT332AP	.080"	3/4"	36" x 48"	Antique Pewter
	Press	KT332B	.080"	3/4"	36" x 48"	Bright Brass
E	Square	KT116	.063"	1" & 1/4"	36" x 48"	Antique Brass
	Square	KT116AP	.063"	1" & 1/4"	36" x 48"	Antique Pewter
F	Flat	KT186	1/8" x 3/64"	1"	36" x 48"	Antique Brass
	Flat	KT186SN	1/8" x 3/64"	1"	36" x 48"	Satin Nickel
G	Flat	KT286AB	1/8" x 3/64"	3/8"	36" x 48"	Antique Brass
	Flat	KT286AP	1/8" x 3/64"	3/8"	36" x 48"	Antique Pewter
	Flat	KT286SB	1/8" x 3/64"	3/8"	36" x 48"	Statuary Bronze
H	Square	KT5816P-SN	.063"	5/8"	36" x 48"	Satin Nickel
I	Round	KT771F48X72AC	.120"	1-3/4"	36" x 48"	Antique Copper

**PANEL SPACERS**



**Panel Spacers**



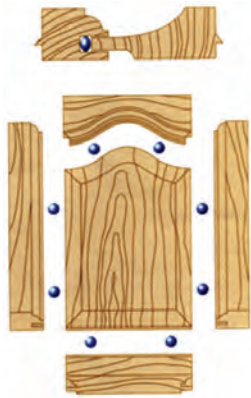
- No Oil, Carbon Black or Phthalates
- Eliminate panel rattle and cracking glue joints
- Absolutely no bleeding into your panel door
- .270" diameter, best for use in 1/4" groove
- Recommended minimum spacing is 3/16" (8 - 10 spacers per 5 panel door)
- Sold by the bag

**Perfect for automatic insertion.  
No talc needed! \***

\* If you are currently using another style of panel spacer with automatic insertion, make sure you run some isopropyl alcohol through to remove any talc or oil residue in the channel.

Item #	Bag Qty
WRO683135800-1M	1,000
WRO683135800-5M	5,000

A  
B  
C  
D  
E  
F  
G  
H  
I  
J  
K  
L  
M  
N  
O  
P  
Q  
R  
S  
T  
U  
V  
W  
X  
Y



**Spaceballs® Round Panel Inserts for Cabinets**



- An inexpensive solution of centering panels and keeping them tight in raised panel doors
- Spaceballs stop panel rattle and help eliminate cracking glue joints
- Made of a space-age plastic developed for this application
- Sized at 0.260" dia., they will safely compress to 0.140" as the panel expands and returns to original shape as conditions change
- US Patent 5317853 and Canada Patent 2115722

Item #	Box Qty
YYSB	1,000
YYSB-5	5,000
YYSBULK	50,000



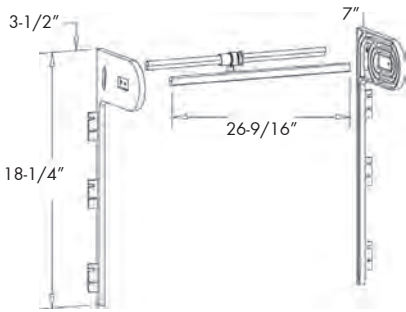
**Panel Spacer Insertion Gun, Handheld Pneumatic**



- Compatible with various spacer sizes and styles via adjustable set screws
- Easily and accurately insert spacers into your doors
- Every pull of the trigger inserts a spacer right where you need it
- Normal Operating Pressure is 80-140 psi
- Adjustable Set Screw
- Works with Würth Panel Spacers and other styles of panel spacers .260 and .232
- Talc powder included for other types of panel spacers where it may be needed

Item #
CSHINSERTGUN

**A TAMBOUR HARDWARE & TRACK**



**Hardware & Track Finger Lite Hardware & Track System**

- "Finger Lite" hardware has an aluminum coil that acts as a counter
- balance against the door
- Tracks are available in face frame (OMT4019) and frameless (OMT4049) styles
- Maximum recommended tambour size is a slat length of 30"
- Designed for tambour thicknesses up to 3/16"



Item #	Description	Finish
OMT4029002	Tambour Hardware Kit Includes: spring, bushing, 2 spacer rails, fasteners and installation instructions	
OMT4019002	Tambour Track, Face Frame Application, 3-1/2" Depth x 18/1/4" Height, Maximum Slat Length = 30"	Brown
OMT4049002	Tambour Track, Frameless Application, 3-1/2" Depth x 17-1/2" Height, Maximum Slat Length = 30"	White

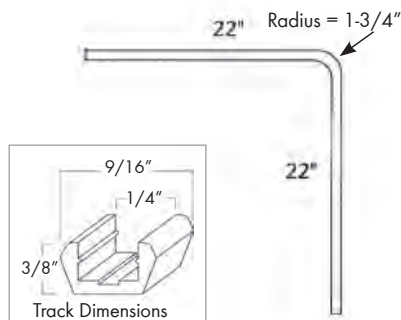
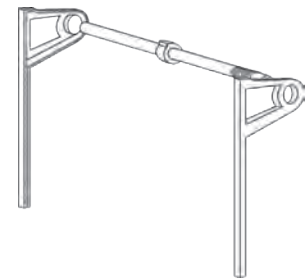


**Spring Tension Hardware & Track System**

- Spring Tension hardware assists in opening the door
- Designed for face frame applications only
- System includes tension spring, wood dowel, donut(s), and plastic guide rails for Tambour Doors
- Controls Tambour Doors up to 36"W x 19"H x 7/32"Thick
- Dowels can be trimmed for narrower door widths
- Door is easily controlled from top to bottom, glides smoothly
- Easily stapled to back of face frame



Size	Almond Item #	White Item #
16" W x 17-1/2"H	-	OMST2-16WH
24" W x 17-1/2"H	OMST2-24AL	-



**L-Shaped Track Recessed Mount, Track System**

- A self-lubricating tambour door track system for most any tambour
- door style, thickness or size
- Made of rigid extruded PVC, easily cut to desired lengths
- Track can be recessed in routed 3/8"D x 9/16"W groove or stapled directly to end panels
- Smooth operation, no sticking
- Accepts a maximum tambour thickness of 7/32", thicker tambours must be mortised
- Made in the USA



Item #	Dimension	Finish
OMLT22-BN	22"L with 1-3/4" Radius	Brown



**TAMBOUR DOORS**



**Tambour Doors  
Solid Wood Y-Notch Edge Tambour Doors**

- Individual solid hardwood slat moldings bonded to a cloth backer
- Sanded and ready to finish. Made in the USA

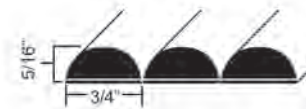


Slat Size	Alder Item #	Cherry Item #	Maple Item #	Hickory Item #	Red Oak Item #
<b>24"W x 47"L Overall Tambour with 1 Leadrail</b>					
3/4"W x 3/16" H	OMSW-30-AL504	OMSW-30-CH503	OMSW-30-MA512	OMSW-30-HI502	OMSW-30-RO511
<b>36"W x 47"L Overall Tambour with 2 Leadrails</b>					
3/4"W x 3/16" H	OMSW-30-AL503	OMSW-30-CH514	OMSW-30-MA508	OMSW-30-HI506	OMSW-30-RO513

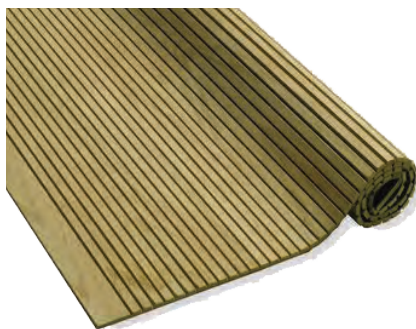


**Tambour Doors  
Solid Wood Half-Round Edge Tambour Doors**

- Individual solid hardwood slat moldings bonded to a cloth backer
- Sanded and ready to finish. Made in the USA



Slat Size	Alder Item #	Cherry Item #	Maple Item #	Hickory Item #	Red Oak Item #
<b>60"W x 36"L Overall Tambour with 2 Leadrails</b>					
3/4"W x 5/16" H	OMSW-15-AL601	OMSW-15-CH610	OMSW-15-MA603	OMSW-15-HI602	OMSW-15-RO701



**Tambour Doors,  
Wood Veneer V-Notch Edge Tambour Doors**

- Wood veneer bonded to medium density fiberboard with a balance veneer
- Bonded to cloth backer for functional stability and performance
- Sanded and ready to finish. Made in the USA



Slat Size	Alder Item #	Maple Item #	Hickory Item #	Red Oak Item #
<b>36"W x 47-1/2"L Overall Tambour with 2 Leadrails</b>				
1/2"W x 7/32"H	OMV-3-AL501	OMV-3-MA501	OMV-3-HI509	OMV-3-RO502

A  
B  
C  
D  
E  
F  
G  
H  
I  
J  
K  
L  
M  
N  
O  
P  
Q  
R  
S  
T  
U  
V  
W  
X  
Y

**A TAMBOUR DOORS & MDF RADIUS MOLDINGS**



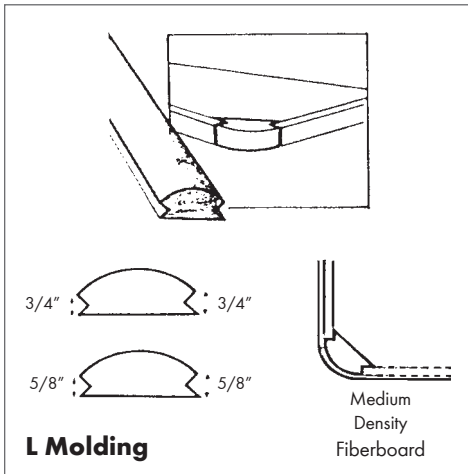
**Tambour Doors**  
**Wood Vener V-Notch Tambour Doors**

- Unique look with flat cut veneer face
- Balanced construction
- Light brown core 7/32" thickness
- Sanded and ready to finish



Item #	Size	Species
OMT0180MUF2	47-3/4" Slat Length x 37" w/2 Leadrails	Maple

B  
C  
D  
E  
F  
G  
H  
I  
J  
K  
L  
M  
N  
O  
P  
Q  
R  
S  
T  
U  
V  
W  
X  
Y

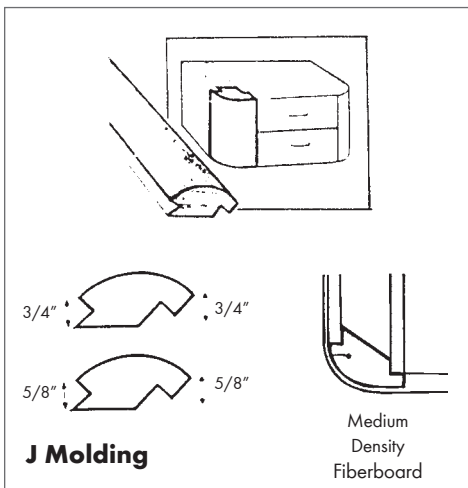


**MDF Pre-Fit Radius Moldings, 97" L**

- These moldings are designed to allow cabinet fabricators to include smooth, consistent radius corners in their units
- Radius moldings are available in two styles: "L" and "J"
- "L" Molding is designed to radius the corner between two right angle panels
- "J" Molding is designed to add a radius at the ends of two parallel panel
- Made of machined (not formed) medium density fiberboard (MDF)
- The moldings are suitable for painting or laminating over



Item #	Radius	Length	Accepts Panel Size
<b>L-Moldings</b>			
WRH2L34	2"	97"	3/4"
WRH3L34	3"	97"	3/4"
WRH4L34	4"	97"	3/4"
WRH6L34	6"	97"	3/4"
<b>J-Moldings</b>			
WRH3J34	3"	97"	3/4"



**SECTION M - TABLE OF CONTENTS**

**Section M Contents:**

Festool Conturo Edgebanding Systems .....2-3  
 Doellken/Woodtape PVC Edgebanding.. 4  
 PRO Veneer Sheets & Edgebanding.....5-9  
 Formwood Veneer Sheets & Edgebanding..... 10-16  
 Fastcap PVC/Real Wood Edgebanding .....17  
 Edgebanding Tools .....18  
 Patwin Tee Moldings.....19  
 Patwin Bumper Moldings & U-Channels .....20

**CONTURO KA 65 Edge Bander**



**The Perfect Edge**

With the CONTURO Edge Bander, it's just as easy to apply edge banding on the job site as it is in the shop. Even if you have a large stationary edge banding machine, the CONTURO can complement your edge banding process by giving you a way to work with radii, circular pieces, bevels and small pieces.

The CONTURO offers exceptional ergonomic design, including dual speeds, and a unique patented hot melt glue adhesive system. There's no risk of burns because the glue system is thermally isolated.

Ditch the iron or hot air gun and gain the benefits of a dedicated edge banding machine without the cost associated with stationary equipment.

- Inexpensive compared to alternatives like stationary edge banding machines
- Capable of edge banding curves, circles, convex and concave radii and inside corners
- Electronically controlled precision glue distribution system for maximum adhesion
- Compact, portable, ergonomic design for easy use and flexibility
- Optional table mounting for working with small work pieces

When used in combination with the MFK 700 Edge Trimming Router, MFT/3 CONTURO Edge Banding Station and other system components of the Festool edge banding solution, you can provide your clients with exceptional results.

A  
B  
C  
D  
E  
F  
G  
H  
I  
J  
K  
L  
M  
N  
O  
P  
Q  
R  
S  
T  
U  
V  
W  
X  
Y



## A FESTOOL CONTURO

FESTOOL



FST574616  
Edge Bander/Edge Trimming Set



### Festool Conturo Edge Banding System

- With the CONTURO Edge Bander, it's just as easy to apply edge banding on the job site as it is in the shop. Even if you have a large stationary edge banding machine, the CONTURO can complement your edge banding process by giving you a way to work with radii, circular pieces, bevels and small pieces
- The CONTURO offers exceptional ergonomic design, including dual speeds, and a unique hot melt glue adhesive system. There's no risk of burns because the glue system is thermally isolated
- The CONTURO Edge Bander takes approximately 8-10 minutes to be ready to go from a cold start. That means you spend more time applying edge banding and less time waiting. Quick, simple processes for changing edge banding or adhesive make the CONTURO a highly productive machine
- With the optional CONTURO MFT/3 Table (sold separately), you can convert the CONTURO into an edge banding station. Perfect for working on small pieces that would otherwise be hard to navigate with the CONTURO in its handheld configuration. The station is also well-suited for working with beveled edges
- The CONTURO can be installed into the table in a few seconds, then removed again for a quick transition between handheld and stationary use
- Ditch the iron or hot air gun and gain the benefits of a dedicated edge banding machine without the cost associated with stationary equipment

Item #	Description
FST574609	Edge Bander complete with Support Handle / Guide Table and 4X Natural EVA Adhesive in a Systainer SYS 4 T-LOC
FST500177	Edge Trimming Set includes Edge Banding Reel, Additional Roller, Edge Banding Trimmer, Scraper, StickFix Base Kit with 3x Felt Pad, 5x Polishing Felt, 20x Abrasive Sheets StickFix Brilliant 2 80 x 133 P320, Hand-Sanding Block 80 x 133 mm, 5x StickFix Sanding Cloth S 800 in a Systainer SYS 4 T-LOC
FST574616	Edge Bander / Edge Trimming Set bundle. Includes all items listed In FST574609 and FST500177
FST200059	Brown Adhesive, 374° F (190° C) Heat Setting, 48/box (Sold by the box)
FST200060	Black Adhesive, 374° F (190° C) Heat Setting, 48/box (Sold by the box)
FST499812	Natural Adhesive, 374° F (190° C) Heat Setting, 48/box (Sold by the box)

**FESTOOL CONTURO**

**Festool Conturo Edgebanding System Accessories**



**MFK 700 EQ/B Precision Trim Router**

- The perfect edge demands professional finish results and the MFK 700 EQ/B helps deliver those results through precision depth control and smooth running operation. Form edges on nearly any type of material thanks to the variable speed control which helps to prevent melting and burning of sensitive material like PVC and exotic woods
- The router base is extremely wide for improved stability in edge forming applications, working near an edge, or working on narrow stock. The MFK 700 Trim Router features depth of cut micro-adjustment with increments of 1/256th of an inch with each tick on the knob. Precision micro-adjustment means that you can dial in the perfect height for the router bit, which reduces rework and finishing
- Achieve remarkably smooth and flush edges on your workpiece in record time. Making adjustments to the MFK 700 Trim Router is quick and easy with its tool-free design. Quick router bit changes can be done with the spindle lock, which means you only need a single wrench

Item #	Description
FST574456	Precision Trim Router
FST499811	1mm Radius Router Bit, 28mm dia; 3mm cut length
FST499810	1.5mm Radius Router Bit, 28mm dia; 3mm cut length
FST499809	2mm Radius Router Bit, 28mm dia; 3mm cut length
FST499808	3mm Radius Router Bit, 28mm dia; 3mm cut length
FST500368	Plane Router Bit, 28mm dia; 7mm cutting length



**MFT/3 Stationary Table**

- Do you edge band a lot of small pieces or bevels? Combine the CONTURO Edge Bander with the Festool MFT/3 Work Table to process small work pieces and to edge band bevels. The CONTURO can be quickly inserted and removed from the work table without any tools. The mounting bracket has preset detents for common angles
- Applying edge banding to beveled pieces is a breeze with the CONTURO MFT/3 Table
- FST500869 set includes Table, Table Insert, Adapter Plate, Guide Plates (15x), and Cross Members. Perfect for small pieces that would otherwise be difficult to work on with the handheld CONTURO alone
- For those who already have the MFT/3 table, accessories listed below can be purchased to make your MFT/3 compatible with the CONTURO

Item #	Description
FST500869	MFT/3 CONTURO Table Set (includes table and all accessories listed below)
FST500366	Table Insert
FST500175	Adapter Plate
FST500367	Guide Plates (15x)

A  
B  
C  
D  
E  
F  
G  
H  
I  
J  
K  
L  
M  
N  
O  
P  
Q  
R  
S  
T  
U  
V  
W  
X  
Y

**A PVC EDGEBANDING**



**Dollken-Woodtape PVC Edgebanding**



Item #	Color
<b>15/16" W x .018" Thick - 600' per Roll</b>	
WD1427	Paintable
WD2001	White
WD2002	Classic White
WD2022	Ultra White
WD2027	Brite White
WD2114	Almond
WD2416	Black
WD2425	Fog Gray
WD2454	Folkstone
WD2478	Storm
WD3096	Nutmeg
WD3728	Riveria Maple
WD3922	Fusion Maple
WD4125	Hard Rock Maple
WD4301	Hard Rock Maple
WD4469	Kensing Maple
WD4763	Chocolate Peartree
WD5232	Regency Walnut
WD5890	Tuxedo
WD7925	Designer White
WD8820	Natural Maple
<b>15/16" W x .020" Thick - 600' per Roll</b>	
WD2002AA	Classic White
WD30175AAM	Phantom Charcoal
WD8189E5	Warehouse Oak
WD8298AA	White Ash Woodbrush
WD8300AA	Natural Ash Woodbrush
WD8707	Walnut Heights
WD8711	Studio Teak
<b>1-5/16" W x .020" Thick - 600' per Roll</b>	
WD2001-1-5/16	White
WD2002-1-5/16	Classic White
WD2114-1-5/16	Almond
WD2416-1-5/16	Black
WD4125-1-5/16	Hard Rock Maple
WD6403-1-5/16	Satin Stainless
WD7717-1-5/16	Brite White

Item #	Color
<b>15/16" W x 1mm Thick - 328' per Roll</b>	
WD1M2001-15/16	White
WD1M2002-15/16	Classic White
WD1M2114-15/16	Almond
WD1M2416-15/16	Black
WD1M2425-15/16	Fog
WD1M2425-15/16-FE	Dove Gray Fusion Edge
WD1M2431-15/16	Slate Gray
WD1M2454-15/16	Folkstone
WD1M2477-15/16	North Sea
WD1M2495-15/16	Pepperdust
WD1M2495-15/16-FE	Pepperdust Fusion Edge
WD1M3728-15/16	Riveria Maple
WD1M4125-15/16	Hard Rock Maple
WD1M4763-15/16	Chocolate Peartree
WD1M4901-15/16	Hard Rock Maple
WD1M5890-15/16	Tuxedo
WD1M5963-15/16	Columbian Walnut
WD1M6403-15/16	Satin Stainless
WD1M7717-15/16	Brite White
WD1M8536AAM-15/16	Rustic Oak
WD1M9345-15/16	Designer White
<b>15/16" W X 2mm Thick - 328' per Roll</b>	
WD2M2001-15/16	White
WD2M2416-15/16	Black
WD2M4125P-15/16	Hard Rock Maple (Print)
WD2M3D700R-1-5/16	Brushed Aluminum
WD2M2425-15/16	Fog
<b>15/16" W x 3mm Thick - 328' per Roll</b>	
WD3M2001-15/16	White
WD3M2002-15/16	Classic White
WD3M2114-15/16	Almond
WD3M2115-15/16	Antique White
WD3M2416-15/16	Black
WD3M2425-15/16	Fog Gray
WD3M3728W-15/16	Riveria Maple (Woodcore)
WD3M4469W-15/16	Kensington Maple (Woodcore)
WD3M5963P-15/16	Columbian Walnut (Print)
WD3M7717-15/16	Brite White Fusion Edge

**WOOD VENEER SHEETS**

**Veneer Sheets, 10mil Paper Backed**



- Grade A Face
- Excellent Joinery and Precision Sanding
- FSC Available on Special Order (Not all Species Available in FSC)
- Sold by the sheet

Species	2' x 8' Item #	4' x 8' Item #	4' x 10' Item #	8' x 4' Item #
African Mahogany, Ribbon	-	PROWDMHRBAF4X8	-	-
Rustic Alder Sound Tight	-	PROWDALDSND4X8	-	-
Alder True Clear	-	PROWDALD4X8	-	-
Anigre	-	PROWDANQTD4X8	-	-
Beech, Quartered	-	PROWDSBCHQTD4X8	-	-
Beech, Steamed	-	-	-	PROWDSTMB8X4
Birdseye Maple	-	PROWDMPBIRD4X8	-	-
Birdseye Maple, Heavy	-	PROWDBM4X8	-	-
Bubinga Plain Slice Heart	-	PROWDRSAFRBUB4X8	-	-
Cherry	PROWD2X8	PROWD4X8	PROWDCH4X10	-
Cherry, Cross Grain	-	-	-	PROWDCHXGRN8X4
Cherry, HPVA	-	PROWDCHPREM4X8	-	-
Cherry, Quartered	-	PROWDCHQTR4X8	-	-
Clear Pine	-	PROWDPNCLR4X8	-	-
Hickory	-	PROWDHK4X8	-	-
Rustic Knotty Alder	-	PROWDKALD4X8	-	-
Rustic Knotty Pine	-	PROWDKP4X8	-	-
Mahogany	-	PROWDMAHKAY4X8	-	-
Maple	PROWDM2X8	PROWDM4X8	PROWDM4X10	-
Maple, Cross Grain	-	-	-	PROWDMPXGR8X4
Maple, HPVA	-	PROWDMPPREM4X8	-	-
Maple, Quartered	-	PROWDMPQTR4X8	-	-
Red Oak	PROWDRO2X8	PROWDRO4X8	PROWDRO4X10	-
Red Oak, HPVA	-	PROWDROPREM4X8	-	-
Red Oak, Quartered	-	PROWDROQTRHF4X8	-	-
Red Oak, Rift	-	PROWDRO4X8	-	-
Teak	-	PROWDTEAK4X8	-	-
VG Fir	-	PROWDFIRVG4X8	-	-
Walnut	PROWDWA2X8	PROWDWA4X8	-	-
Walnut, HPVA	-	PROWDWLPREM4X8	-	-
Wenge, Quartered	-	PROWDWENQTR4X8	-	-
White Ash	PROWDA2X8	-	-	-
White Birch	PROWDWB2X8	PROWDWB4X8	-	-
White Birch, Rotary	-	PROWDBRWHRTY4X8	-	-
White Oak	PROWDWO2X8	PROWDWO4X8	-	-
White Oak, Quartered	-	PROWDWHOKQTR4X8	-	-
White Oak, Rift	-	PROWDWHOKRIFT4X8	-	-
Zebrawood	-	PROWDZEBWOOD4X8	-	-

A  
B  
C  
D  
E  
F  
G  
H  
I  
J  
K  
L  
M  
N  
O  
P  
Q  
R  
S  
T  
U  
V  
W  
X  
Y

**A EDGEBANDING AND VENEER SHEETS**

B  
C  
D  
E  
F  
G  
H  
I  
J  
K  
L  
M  
N  
O  
P  
Q  
R  
S  
T  
U  
V  
W  
X  
Y



**Allwood (Wood to Wood) Veneer Sheets**



- Grade A Face
- Excellent Joinery and Precision Sanding
- FSC Available on Special Order (Not all Species Available in FSC)

Species	4' x 8' Item #
Alder	PROWDWTWRALD4X8
Cherry	PROWDWTWCR4X8
Red Birch	PROWDPALWBR4X8
Red Oak	PROWDWTWRO4X8
Rustic Alder	PROWDWTWKALD4X8
Sapeli, Quartered	PROWDSAPQTR4X8
Walnut	PROWDPALWWL4X8
White Oak	PROWDPALWHOK4X8
White Maple	PROWDWTWM4X8



**Veneer Sheets, PSA**



- 3M pressure sensitive adhesive
- Grade A Face
- Excellent Joinery and Precision Sanding
- FSC Available on Special Order (Not all Species Available in FSC)

Species	2' x 8' Item #	4' x 8' Item #
Cherry	PROWDPCRPS2X8	-
Clear Alder	PROWDAL2X8PSA	-
Maple	PROWDMPS2X8	PROWDMPS4X8



**Melamine Paper Edgebanding, Preglued**



- 50' or 250' rolls Tech Edge Melamine with EVA Hot Melt Adhesive Back
- Smooth or Textured Finish

Color	Finish	Item #
<b>50' Roll</b>		
Black	Smooth	PROWDPB1316S
White	Textured	PROWDPWHT1316S
<b>250' Roll</b>		
Black	Smooth	PROWDPB1316
Light Gray	Textured	PROWDPLGR1316
Hardrock Maple	Smooth	PROWDPHM1316
White	Smooth	PROWDPWHT1316
White	Textured	PROWDPTWHT1316



**WOOD VENEER EDGEBOARDING**



**Pre-Glued Wood Veneer Edgbanding**



- Backed with EVA Hot Melt Adhesive
- Staggered finger joints
- FSC Available on Special Order

Species	50' Roll Item #	250' Roll Item #
<b>Prefinished - 13/16" Wide</b>		
Maple	-	PROWDPFMAP1316PG
White Birch	-	PROWDPFWB1316PG
<b>Unfinished - 5/8" Wide</b>		
Maple	-	PROWDM58PG
Red Oak	-	PROWDRO58
<b>Unfinished - 3/4" Wide</b>		
Alder	-	PROWDALD34
Ash	-	PROWDAS34
Cherry	-	PROWD34
Mahogany	-	PROWDMH34
Maple	-	PROWDM34
Walnut	-	PROWDWA34
White Birch	-	PROWDWB34
<b>Unfinished - 13/16" Wide</b>		
Alder	PROWDALD1316S	PROWDALD1316
Ash	-	PROWDAS1316
Cherry	PROWD34S	PROWD34
Douglas Fir, VG	-	PROWDVGF1316
Hickory	-	PROWDHCKRY1316
Maple	PROWDM1316S	PROWDM1316
Pine	-	PROWDPN1316
Red Oak	PROWDRO1316S	PROWDRO1316
Steamed Beech	-	PROWDSTMB1316
Walnut	PROWDWA1316S	PROWDWA1316
White Birch	PROWDWB1316S	PROWDWB1316
White Oak	-	PROWDWO1316
<b>Unfinished - 15/16" Wide</b>		
Red Oak, FSC	-	PROWDROR1516PGFSC
<b>Unfinished - 7/8" Wide</b>		
Ash	-	PROWDAS78
Clear Pine	-	PROWD78
Maple	-	PROWDMP78
Walnut	-	PROWDWAL78PG
<b>Unfinished - 1-1/4" Wide</b>		
Maple	-	PROWDM114PG

A  
B  
C  
D  
E  
F  
G  
H  
I  
J  
K  
L  
M  
N  
O  
P  
Q  
R  
S  
T  
U  
V  
W  
X  
Y

**A WOOD VENEER EDGEBANDING**

B  
C  
D  
E  
F  
G  
H  
I  
J  
K  
L  
M  
N  
O  
P  
Q  
R  
S  
T  
U  
V  
W  
X  
Y



**Automatic Fleece Back Wood Veneer Edgebanding**



- Natural Grade A Real Wood Veneer
- 500' Rolls Fleece Back, Sanded Front
- Staggered finger joints
- Prefinished rolls feature a UV Satin clear coat, factory applied
- FSC Available on Special Order

Species	500' Roll Item #
<b>Unfinished - 7/8" Wide</b>	
African Mahogany	PROWDAFM78A
Alder	PROWDALD78A
Ash	PROWDAS78A
Birch	PROWDNB78A
Cherry	PROWD78A
Clear Pine	PROWD78A
Douglas Fir, Vertical Grain	PROWDVGFIR78A
Hickory	PROWDHCKRY-78A
Maple	PROWDM78A
Red Oak	PROWDRO78A
Steamed Beech	PROWDSTMB78A
Walnut	PROWDWA78A
White Birch	PROWDWB78A
White Oak	PROWDWO78A
<b>Unfinished - 15/16" Wide</b>	
African Mahogany	PROWDAFM1516A
Alder	PROWDALD1516A
Cherry	PROWD78A
Maple	PROWDM1516A
Maple, FSC	PROWDM1516AFSC
Red Oak	PROWDRO1516A
Sapele, Quartered	PROWDSAPQTR1516A
Steamed Beech	PROWDSTMB1516A
Walnut	PROWDWA1516A
White Oak, Rift	PROWDWOR1516A
Red Oak, FSC	PROWDROR1516AFSC
<b>Unfinished - 1-1/4" Wide</b>	
Alder	PROWDALD114A
Red Oak, FSC	PROWDROR114AFSC
<b>Unfinished - 1-3/4" Wide</b>	
Maple	PROWDM134A

Species	500' Roll Item #
<b>Prefinished - 5/8" Wide</b>	
Maple	PROWDPFM58A
White Birch	PROWDPFWB58A
<b>Prefinished - 7/8" Wide</b>	
Cherry	PROWDPFCHRY78
Maple	PROWDPFMAPL78
Red Oak	PROWDPFRDOK78
Walnut	PROWDPFWAL78
White Birch	PROWDPFWB78A
<b>Prefinished - 15/16" Wide</b>	
Hickory	PROWDPFHCKRY1516
<b>Unfinished - 5/8" Wide</b>	
Alder	PROWDALD58A
Maple	PROWDM58A
<b>Unfinished - 3/4" Wide</b>	
Maple	PROWDM34A

**WOOD VENEER EDGEBANDING**



**Thick Solid Wood Edgebanding Rolls**



- Natural Grade A Real Wood Veneer
- Sanded front
- 7/8" and 15/16" Width
- 328' Coil Roll
- 1.0mm and 1.5mm are 3-ply
- 3.0mm and 3.1mm are 6-ply

Species	Thickness	Item #
<b>7/8" Wide</b>		
Cherry	1mm	PROWD1MMCR78
Maple	1mm	PROWD1MMM78
White Oak	1mm	PROWD1MMWO78
African Mahogany	1.5mm	PROWD1.5MMAM78
Alder	1.5mm	PROWD1.5MMAL78
Cherry	1.5mm	PROWD1.5MMCR78
Maple	1.5mm	PROWD1.5MMM78
Red Oak	1.5mm	PROWD1.5MMRO78
Walnut	1.5mm	PROWD1.5MMWAL78
White Oak	1.5mm	PROWD1.5MMWO78
Alder	3mm	PROWD3MMAL
Cherry	3mm	PROWD3MMCH78
Mahogany	3mm	PROWD3MMAH78
Maple	3mm	PROWD3MMM78
Walnut	3mm	PROWD3MMWAL78
White Oak	3mm	PROWD3MWO78
Cherry	3.1mm	PROWD3.1MMCR78
Red Oak	3.1mm	PROWD3.1MMRO78
<b>15/16" Wide</b>		
Alder	1mm	PROWD1MMAL1516
Maple	1mm	PROWD1MMM1516
Red Birch	1mm	PROWD1MMRB1516
Walnut	1mm	PROWD1MMWL1516
White Oak, Rift	1mm	PROWD1MMRWO1516

A  
B  
C  
D  
E  
F  
G  
H  
I  
J  
K  
L  
M  
N  
O  
P  
Q  
R  
S  
T  
U  
V  
W  
X  
Y

## A WOOD VENEER SHEETS



### Wood Veneer Sheets, 10MIL Paper Back



- Provides stability and flexibility while helping to minimize splitting, grain-raise, and glue seepage
- Tenderized to bend and wrap to a 1" radius
- Pre-sanded, machine surface sand: 150 grit
- Best to store in a climate controlled environment (Heated in winter/Air-conditioned in summer)
- Avoid exposure to sunlight
- Variation can be expected from sheet to sheet and lot to lot
- Ideal temperature for application is 70-80° F
- Ideal humidity is 35%
- Surface must be clean, dry and smooth (free of dust, grease, wax) to ensure a good bond
- Use of solvent-based adhesives are recommended and water-based adhesives are not recommended
- Veneer scrapers are recommended for hand application to allow for maximum pressure and "J" rollers are not recommended
- Adhesive should be allowed to cure for 48 hours prior to finishing
- Knotted products will be putty filled

4' x 8' Sheet Size, Item #	2' x 8' Sheet Size, Item #	Species	Description	Sold In
FVALC48P	-	Alder	Clear, Grade A	By the sheet
FVALK48P	-	Alder	Rustic, Planked Matched	By the sheet
FVCH48P	FVCH28P	Cherry	Commodity Grade	By the sheet
FVCHQ48P	-	Cherry	Quartered, Grade A	By the sheet
FVFVG48P	-	Fir, Douglas	Quarter Cut, Vertical Grain	By the sheet
FVHK48P	FVHK28PS	Hickory	Calico, Flat Cut, Grade A	By the sheet
FVKP48P	-	Knotty Pine	Planked Matched, Grade A	By the sheet
FVMK48P	-	Mahogany	African, Flat Cut	By the sheet
FVMP48P	FVMP28P	Maple	Commodity Grade	By the sheet
FVMPQ48P	-	Maple	Quarter Cut, Grade A	By the sheet
FVRO48P	FVRO28P	Red Oak	Commodity Grade	By the sheet
FVROQH48P	-	Red Oak	Quarter Cut, Heavy Flake	By the sheet
FVROR48P	-	Red Oak	Rift Cut, Grade A	By the sheet
FVSPQ48P	-	Sapele	Quarter Cut, Grade A	By the sheet
FVTK48P	-	Teak	Flat Cut, Grade A	By the sheet
FVWAL48P	-	Walnut	Commodity Grade	By the sheet
FVWALQS48P	-	Walnut	Quarter Cut, Grade A	By the sheet
FVWNQ48P	-	Wenge	Quarter Cut, Grade A	By the sheet
FVWB48P	-	White Birch	Rotary Cut	By the sheet
FVWO48P	FVWO28P	White Oak	Commodity Grade	By the sheet
FVWOP48P	-	White Oak	Flat Cut, Grade A	By the sheet
FVWOH48P	-	White Oak	Quarter Cut, Heavy Flake, Grade A	By the sheet
FVWOR48P	-	White Oak	Rift Cut, Grade A	By the sheet

**WOOD VENEER SHEETS**



**Wood Veneer Sheets,  
NBL Backer (No Black Line)**



- 3-ply construction is a pliable, moisture resistant sheet without the black edge associated with phenolic and foil backers
- Multi-ply construction includes an internal moisture barrier, parallel face and back grain
- Pre-sanded, machine surface sand: 150 grit, tenderized to bend and wrap a tight radius
- Ideal temperature for application is 70-80° F, ideal humidity is 35%
- Use of solvent-based adhesives are recommended and water-based adhesives are not recommended, allow to cure for 48 hours prior to finishing

4' x 8' Sheet Size Item #	Species	Description	Thickness	Sold In
FVALC48	Alder	Clear, Grade A	.032" - .035", +/- .005"	By the sheet
FVALK48	Alder	Rustic, Planked Matched	.032" - .035", +/- .005"	By the sheet
FVCH48	Cherry	Flat Cut, Grade A	.032" - .035", +/- .005"	By the sheet
FVMK48	Mahogany	African, Flat Cut	.032" - .035", +/- .005"	By the sheet
FVMP48	Maple	Flat Cut, Grade A	.032" - .035", +/- .005"	By the sheet
FVRO48	Red Oak	Flat Cut, Grade A	.032" - .035", +/- .005"	By the sheet
FWWAL48	Walnut	Flat Cut, Grade A	.032" - .035", +/- .005"	By the sheet
FWWALQ48	Walnut	Quarter Cut, Grade A	.032" - .035", +/- .005"	By the sheet
FWWA48	White Ash	Flat Cut, Grade A	.032" - .035", +/- .005"	By the sheet
FWWB48	White Birch	Rotary Cut	.032" - .035", +/- .005"	By the sheet
FWWOP48	White Oak	Flat Cut, Grade A	.032" - .035", +/- .005"	By the sheet



**Wood Veneer Sheets, Duraback**



- Product designed and engineered as an alternative to traditional laminate backed veneer
- Product is used in markets where solvent-based adhesive restrictions require woodworkers to use water-based glues
- Water-resistant backing offers problem free use of water-based adhesives while providing a moisture barrier, accepts almost any glue
- Pre-sanded, machine surface sand: 150 grit, easily post-formable around curves
- Ideal temperature for application is 70-80° F, ideal humidity is 35%, adhesive should be allowed to cure for 48 hours prior to finishing

4' x 8' Sheet Size Item #	Species	Description	Thickness	Sold In
FVALC48D	Alder	Clear, Grade A	.038" - .048", +/- .005"	By the sheet
FVALK48D	Alder	Rustic, Planked Matched	.038" - .048", +/- .005"	By the sheet
FVCH48D	Cherry	Flat Cut, Grade A	.038" - .048", +/- .005"	By the sheet
FVMP48D	Maple	Flat Cut, Grade A	.038" - .048", +/- .005"	By the sheet
FVRO48D	Red Oak	Flat Cut, Grade A	.038" - .048", +/- .005"	By the sheet
FWWAL48D	Walnut	Flat Cut, Grade A	.038" - .048", +/- .005"	By the sheet
FWWALQS48D	Walnut	Quarter Cut, Grade A	.038" - .048", +/- .005"	By the sheet
FWWBRS48D	White Birch	Rotary Cut, Grade A	.038" - .048", +/- .005"	By the sheet
FWWOP48D	White Oak	Flat Cut, Grade A	.038" - .048", +/- .005"	By the sheet
FWWORC48D	White Oak	Rift Cut, Grade A	.038" - .048", +/- .005"	By the sheet

A  
B  
C  
D  
E  
F  
G  
H  
I  
J  
K  
L  
M  
N  
O  
P  
Q  
R  
S  
T  
U  
V  
W  
X  
Y

**A WOOD VENEER SHEETS**



**Wood Veneer Sheets,  
2-Ply Hardwood**



- Perpendicular face-to-back construction w/an acrylic membrane to protect against bubbling, glue seepage & telegraphing
- Provides no unsightly edge lines, unlike phenolic-backed veneer
- Crossband construction allows 2-Ply veneer to bend on moderate curves in the horizontal or vertical direction
- Pre-sanded, machine surface sand: 150 grit
- Variation can be expected from sheet to sheet and lot to lot
- Ideal temperature for application is 70-80° F, ideal humidity is 35%
- Surface must be clean, dry and smooth (free of dust, grease, wax) to ensure a good bond
- Use of solvent-based adhesives are recommended and water-based adhesives are not recommended
- Veneer scrapers are recommended for hand application to allow for maximum pressure and "J" rollers are not recommended
- Adhesive should be allowed to cure for 48 hours prior to finishing

4' x 8' Sheet Size, Item #	Species	Description	Thickness	Sold In
FVALC48T	Alder	Clear, Grade A	.032" - .035", +/- .005"	By the sheet
FVALK48T	Alder	Rustic, Planked Matched	.032" - .035", +/- .005"	By the sheet
FVFIRVG48T	Fir, Douglas	Quarter Cut, Vertical Grain	.032" - .035", +/- .005"	By the sheet
FVHK48T	Hickory	Calico, Grade A	.032" - .035", +/- .005"	By the sheet
FVHKR48T	Hickory	Rustic, Grade A	.032" - .035", +/- .005"	By the sheet
FVMPA48T	Maple	Flat Cut, Grade A	.032" - .035", +/- .005"	By the sheet
FVMPAQ48T	Maple	Quarter Cut, Grade A	.032" - .035", +/- .005"	By the sheet
FVROQH48T	Red Oak	Quarter Cut, Heavy Flake	.032" - .035", +/- .005"	By the sheet
FVROR48T	Red Oak	Rift Cut, Grade A	.032" - .035", +/- .005"	By the sheet
FVWAL48T	Walnut	Flat Cut, Grade A	.032" - .035", +/- .005"	By the sheet
FVWALQS48T	Walnut	Quarter Cut, Grade A	.032" - .035", +/- .005"	By the sheet
FVWALR48T	Walnut	Rustic, Grade A	.032" - .035", +/- .005"	By the sheet
FVWBRS48T	White Birch	Rotary Cut	.032" - .035", +/- .005"	By the sheet
FVWOP48T	White Oak	Flat Cut, Grade A	.032" - .035", +/- .005"	By the sheet
FVWORC48T	White Oak	Rift Cut	.032" - .035", +/- .005"	By the sheet
FVWOH48T	White Oak	Quarter Cut Heavy Flake	.032" - .035", +/- .005"	By the sheet

**WOOD VENEER SHEETS**



**Wood Veneer Sheets,  
10MIL PSA Backer**



- Uses 3M® Brand PSA adhesives, peel and stick veneer provides a permanent bond to any smooth substrate
- PSA veneer can be cut and trimmed with ordinary tools, such as scissors or a utility knife
- Tenderized FormWood PSA veneer will bend to a tight radius
- Pre-sanded, machine surface sand: 150 grit
- Variation can be expected from sheet to sheet and lot to lot
- Ideal temperature for application is 70-80° F, ideal humidity is 35%
- Surface must be clean, dry and smooth (free of dust, grease, wax) to ensure a good bond
- Veneer scrapers are recommended for hand application to allow for maximum pressure and "J" rollers are not recommended
- Adhesive should be allowed to cure for 48 hours prior to finishing

2' x 8' Sheet Size, Per Sheet Item #	2' x 8' Sheet Size, Bulk 4 Sheets Item #	Species	Description	Thickness
FVALC28PS	FVALC28PSB	Alder	Clear, Grade A	.025", +/- .005"
FVALK28PS	FVALK28PSB	Alder	Rustic, Planked Matched	.025", +/- .005"
FVCH28PS	FVCH28PSB	Cherry	Commodity Grade	.025", +/- .005"
FVHK28PS	-	Hickory	Calico, Grade A	.025", +/- .005"
FVMP28PS	FVMP28PSB	Maple	Commodity Grade	.025", +/- .005"
FVMPA28PS	FVMPA28PSB	Maple	Flat Cut, Grade A	.025", +/- .005"
FVRO28PS	-	Red Oak	Commodity Grade	.025", +/- .005"
FVWAL28PS	FVWAL28PSB	Walnut	Flat Cut, Grade A	.025", +/- .005"
FVWALQS28PS	FVWALQS28PSB	Walnut	Quarter Cut, Grade A	.025", +/- .005"
FVWBRS28PS	FVWBRS28PSB	White Birch	Rotary Cut, Grade A	.025", +/- .005"
FVWOP28PS	FVWOP28PSB	White Oak	Flat Cut, Grade A	.025", +/- .005"
FVWORC28PS	FVWORC28PSB	White Oak	Rift Cut, Grade A	.025", +/- .005"

A  
B  
C  
D  
E  
F  
G  
H  
I  
J  
K  
L  
M  
N  
O  
P  
Q  
R  
S  
T  
U  
V  
W  
X  
Y

A  
B  
C  
D  
E  
F  
G  
H  
I  
J  
K  
L  
M  
N  
O  
P  
Q  
R  
S  
T  
U  
V  
W  
X  
Y

## WOOD VENEER EDGEBOARDING



### Wood Veneer Edgebanding, Fleece Backed Automatic, Non-Glued



- Produced by joining individual pieces of veneer together into a continuous master roll by finger-jointing the veneer
- Rolls are laminated with a fleece, then sanded and slit to finished widths
- Finger joints are made by joining the veneer together using a die cut finger layout in the veneer and then gluing them together using joint tape
- Length of continuous veneer roll: 500 lineal feet
- Surface finish: 180 grit
- Material should be stored in plastic wrap to ensure moisture stability (reducing moisture loss)

15/16" x 500' Roll Item #	7/8" x 500' Roll Item #	Species	Thickness	Sold In
FVALD1516A	FVALD078A	Alder	.022", +/- .002"	By the roll
FVASH1516A	FVASH078A	Ash	.022", +/- .002"	By the roll
FVBEECHS1516A	FVBEECHS078A	Beech (Steamed)	.022", +/- .002"	By the roll
FVCHERRY1516A	FVCHERRY078A	Cherry	.022", +/- .002"	By the roll
-	FVFIRO78A	Fir	.022", +/- .002"	By the roll
FVHCKRY1516A	FVHCKRY078A	Hickory	.022", +/- .002"	By the roll
FVMHGNY1516A	FVMHGNY078A	Mahogany	.022", +/- .002"	By the roll
FVMAP1516A	FVMAPLE078A	Maple	.022", +/- .002"	By the roll
-	FVPINCO78A	Pine (Clear)	.022", +/- .002"	By the roll
FVWLNT1516A	FVWLNT078A	Walnut	.022", +/- .002"	By the roll
FVBIRCHW1516A	FVBIRCHW078A	White Birch	.022", +/- .002"	By the roll
FVWHOAK1516A	FVWHOAK078A	White Oak	.022", +/- .002"	By the roll



### Wood Veneer Edgebanding, Fleece Backed Pre-Finished Automatic, Non-Glued



- Produced by joining individual pieces of veneer together into a continuous master roll by finger-jointing the veneer
- Rolls are laminated with a fleece, then sanded and slit to finished widths
- Finger joints are made by joining the veneer together using a die cut finger layout in the veneer and then gluing them together using joint tape
- Gloss level between 20 and 30 is standard
- UV lacquer finish at 1.5 mils in coverage
- Length of continuous veneer roll: 500 lineal feet
- Material should be stored in plastic wrap to ensure moisture stability (reducing moisture loss)

7/8" x 500' Roll Item #	5/8" x 500' Roll Item #	Species	Thickness	Sold In
FVPFCHERRY78A	FVPFCHERRY58A	Cherry	.020", +/- .002"	By the roll
FVPFMAPLE78A	FVPFMAPLE58A	Maple	.020", +/- .002"	By the roll
FVPFROAK78A	FVPFROAK58A	Red Oak	.020", +/- .002"	By the roll
FVPFWALNUT78A	FVPFWALNUT58A	Walnut	.020", +/- .002"	By the roll
FVPFWBIRCH78A	FVPFWBIRCH58A	White Birch	.020", +/- .002"	By the roll



**WOOD VENEER EDGEBOARDING**



**Wood Veneer Edgebanding, Thick, Fleece Backed Automatic, Non-Glued**



- Produced by joining individual pieces of veneer together into a continuous master roll by finger-jointing the veneer
- Rolls are laminated with a fleece, then sanded and slit to finished widths
- Finger joints are made by joining the veneer together using a die cut finger layout in the veneer and then gluing them together using joint tape
- Length of continuous veneer roll: 328 lineal feet
- Surface finish: 180 grit
- Material should be stored in plastic wrap to ensure moisture stability (reducing moisture loss)

	7/8" x 328' Roll Item #	Species	Thickness	Sold In
<b>1mm</b>	FVSWCHERRY1MM	Cherry	1mm, +/- .002"	By the roll
	FVSWMAPLE1MM	Maple	1mm, +/- .002"	By the roll
	FVSWROAK1MM	Red Oak	1mm, +/- .002"	By the roll
	FVSWWLNT1MM	Walnut	1mm, +/- .002"	By the roll
	FVSWWBIRCH1MM	White Birch	1mm, +/- .002"	By the roll
	FVSWWOAK1MM	White Oak	1mm, +/- .002"	By the roll

	7/8" x 328' Roll Item #	Species	Thickness	Sold In
<b>1.5mm</b>	FVSWCHERRY1.5MM	Cherry	1.5mm, +/- .002"	By the roll
	FVSWMAPLE1.5MM	Maple	1.5mm, +/- .002"	By the roll
	FVSWROAK1.5MM	Red Oak	1.5mm, +/- .002"	By the roll
	FVSWLNT1.5MM	Walnut	1.5mm, +/- .002"	By the roll
	FVSWBIRCHW1.5MM	White Birch	1.5mm, +/- .002"	By the roll

	7/8" x 328' Roll Item #	Species	Thickness	Sold In
<b>2mm</b>	FVSWCHERRY2MM	Cherry	2mm, +/- .002"	By the roll
	FVSWMAPLE2MM	Maple	2mm, +/- .002"	By the roll
	FVSWROAK2MM	Red Oak	2mm, +/- .002"	By the roll
	FVSWWLNT2MM	Walnut	2mm, +/- .002"	By the roll
	FVSWWBIRCH2MM	White Birch	2mm, +/- .002"	By the roll

	7/8" x 328' Roll Item #	Species	Thickness	Sold In
<b>3mm</b>	FVSWCHERRY3MM	Cherry	3mm, +/- .002"	By the roll
	FVSWMAPLE3MM	Maple	3mm, +/- .002"	By the roll
	FVSWROAK3MM	Red Oak	3mm, +/- .002"	By the roll
	FVSWLNT3MM	Walnut	3mm, +/- .002"	By the roll
	FVSWBIRCHW3MM	White Birch	3mm, +/- .002"	By the roll

A  
B  
C  
D  
E  
F  
G  
H  
I  
J  
K  
L  
M  
N  
O  
P  
Q  
R  
S  
T  
U  
V  
W  
X  
Y

**A WOOD VENEER EDGEBANDING**



**Wood Veneer Edgebanding, Fleece Backed Pre-Glued**



- Produced by joining individual pieces of veneer together into a continuous master roll by finger-jointing the veneer
- Rolls are laminated with a fleece, then sanded and slit to finished widths
- Finger joints are made by joining the veneer together using a die cut finger layout in the veneer and then gluing them together using joint tape
- Length of continuous veneer roll: 250 lineal feet
- Surface finish: 180 grit
- Thickness: .034", +/- .002"
- Material should be stored in plastic wrap to ensure moisture stability (reducing moisture loss)

13/16" x 250' Roll Item #	7/8" x 250' Roll Item #	Species	Sold In
FVPGALDER1316	FVPGALDER078	Alder	By the roll
FVPGASH1316	FVPGASH078	Ash	By the roll
FVPGBEECHS1316	FVPGBEECHS078	Beech (Steamed)	By the roll
FVPGCHERRY1316	FVPGCHERRY078	Cherry	By the roll
FVPGFIR1316	FVPGFIR078	Fir	By the roll
FVPGHCKRY1316	FVPGHCKRY078	Hickory	By the roll
FVPGMHGNY1316	FVPGMHGNY078	Mahogany	By the roll
FVPGMAPLE1316	FVPGMAPLE078	Maple	By the roll
FVPGROAK1316	FVPGROAK078	Red Oak	By the roll
FVPGWLNT1316	FVPGWLNT078	Walnut	By the roll
FVPGBIRCHW1316	FVPGBIRCHW078	White Birch	By the roll
FVPGWOAK1316	FVPGWOAK078	White Oak	By the roll



**Wood Veneer Edgebanding, Fleece Backed Pre-Finished & Pre-Glued**



- Produced by joining individual pieces of veneer together into a continuous master roll by finger-jointing the veneer
- Rolls are laminated with a fleece, then sanded and slit to finished widths
- Finger joints are made by joining the veneer together using a die cut finger layout in the veneer and then gluing them together using joint tape
- Gloss level between 20 and 30 is standard
- UV lacquer finish at 1.5 mils in coverage
- Length of continuous veneer roll: 250 lineal feet
- Material should be stored in plastic wrap to ensure moisture stability (reducing moisture loss)

13/16" x 250' Roll Item #	7/8" x 250' Roll Item #	Species	Sold In
FVPFPGCHERRY1316	-	Cherry	By the roll
FVPFPGMAPLE1316	FVPFPGMAPLE78	Maple	By the roll
FVPFPGREDOAK1316	-	Red Oak	By the roll
FVPFPGWALNUT1316	-	Walnut	By the roll
FVPFPGWBIRCH1316	FVPFPGWBIRCH78	White Birch	By the roll

**PVC/REAL WOOD EDGEBOARDING**



**PVC & Wood Edgebanding,  
Peel & Stick**



- Made from high quality PVC and real wood veneers, easy to use
- Good for field repairs, inside and outside radii, scribe tape and many other applications
- High performance pressure sensitive acrylic adhesive on backing increases in strength as it cures
- Sold by the roll

Color / Species	50' Roll Item #	250' Roll Item #	600' Roll Item #
<b>Solid Color PVC, 1/2" Wide</b>			
Black	-	FCFESP1/2-250BL	-
<b>Solid Color PVC, 3/4" Wide</b>			
Black	FCFESP3/4-50BL	-	FCFESP3/4-600BL
White	FCFESP3/4-50WH	-	-
<b>Solid Color PVC, 15/16" Wide</b>			
Almond	FCFESP15/16-50AL	FCFESP15/16-250AL	-
Antique White	FCFESP15/16-50AW	FCFESP15/16-250AW	-
Black	FCFESP15/16-50BL	FCFESP15/16-250BL	FCFESP15/16-600BK
Fog Gray	FCFESP15/16-50DG	FCFESP15/16-250DG	-
Light Gray	FCFESP15/16-50LG	FCFESP15/16-250LG	-
White	FCFESP15/16-50WH	FCFESP15/16-250WH	FCFESP15/16-600WH
<b>Prefinished Real Wood, 15/16" Wide</b>			
Maple	FCFEPW15/16-50PMP	FCFEPW15/16-250PMP	-
Red Oak	FCFEPW15/16-50PRO	-	-
Walnut	FCFEPW15/16-50PWA	FCFEPW15/16-250PWA	-
White Birch	FCFEPW15/16-50PWB	FCFEPW15/16-250PWB	-
<b>Unfinished Real Wood, 15/16" Wide</b>			
Alder	FCFESW15/16-50AD	FCFESW15/16-250AD	-
Cherry	FCFESW15/16-50CH	FCFESW15/16-250CH	-
Maple	FCFESW15/16-50MP	FCFESW15/16-250MP	-
Red Oak	FCFESW15/16-50RO	FCFESW15/16-250RO	-
White Birch	FCFESW15/16-50WB	-	-
<b>Woodgrain PVC, 3/4" Wide</b>			
Hardrock Maple	-	FCFEWP3/4-250HM	-
<b>Woodgrain PVC, 15/16" Wide</b>			
Hardrock Maple	FCFEWP15/16-50HM	FCFEWP15/16-250HM	FCFEWP15/16-600HM
Light Oak	FCFEWP15/16-50LO	FCFEWP15/16-250LO	FCFEWP15/16-600LO
Manitoba Maple	FCFEWP15/16-50MM	FCFEWP15/16-250MM	FCFEWP15/16-600MM
Natural Cherry	FCFEWP15/16-50NC	FCFEWP15/16-250NC	FCFEWP15/16-600NC
Natural Oak	FCFEWP15/16-50NO	FCFEWP15/16-250NO	FCFEWP15/16-600NO

A  
B  
C  
D  
E  
F  
G  
H  
I  
J  
K  
L  
M  
N  
O  
P  
Q  
R  
S  
T  
U  
V  
W  
X  
Y

**A EDGEBANDING TOOLS**

**PRACTICAL PRODUCTS**



**Double-Sided Edgebanding Trimmer**

- Simultaneously trims both edges of most soft edgebanding materials
- Duplicate blades on both sides will flush or bevel trim panels from 1/2" - 1-1/2" thick
- One side can be used alone as a single-sided trimmer

Item #	Description
PC-ET100	Trimmer
PC-ET10ORP	Replacement Blade, Set of 6



**Pneumatic Edgebanding Quad Trimmer**



- No springs to lose when taking tool apart to trim one side of material
- Available tungsten carbide blades last 10 times longer than steel blades
- Trims both directions, both sides, top and bottom at once

Item#	Description	Blade Type
FCQTRIM	Standard Trimmer	Carbon Steel
FCQBLADE	Replacement Blade Set	Carbon Steel
FCQPROTRIM	"Pro" Trimmer	Tungsten Carbide
FCQPROBLADE	Replacement Blade Set	Tungsten Carbide



FC SPEEDROLLERQUAD

**SpeedRoller**



- Ergonomically designed with laminate rollers that can be used in any PSA application
- Non-marring rubber wheels or maximum PSI steel wheels

Item #	Wheel/Roller Type
FC SPEEDROLLERQUAD	Maximum PSI Steel, Non-Interchangeable
FC ROLLERPRO	1 set Maximum PSI Steel and 1 set Non-Marring Rubber, Interchangeable



FC ROLLERPRO

**TEE MOLDINGS**



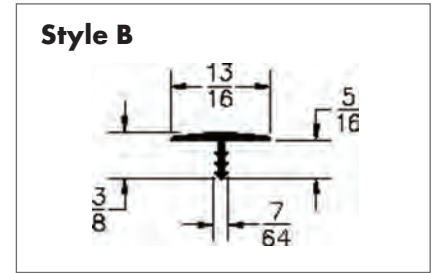
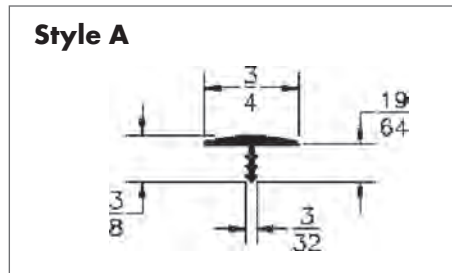
**Flexene Tee Moldings**

- Non-toxic polyethylene is used to manufacture these “Flexene” moldings
- Fits any contour whether outside or inside curves and radii
- Product is consistently precise in dimensions, workability and color
- Design insures the installation will fit firmly and hug edges permanently
- Packing: 250 linear feet rolls, 4 rolls per box
- Sold In: Full rolls only, available any quantity

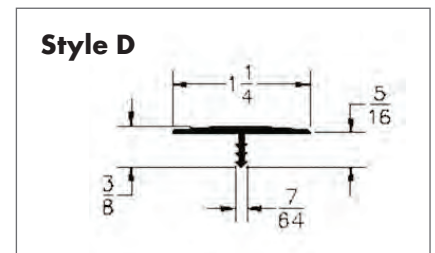
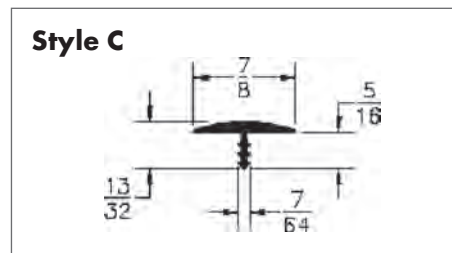


NOTE: Other colors available with minimum order 5,000' per color.  
Contact Customer Service for more information.

Item #	Description
<b>Recommended Cutters</b>	
AN53202	3 Wing Slotting Cutter, 3/32" leg
AN53204	3 Wing Slotting Cutter, 7/64" leg
AN47600	Arbor, 1/4" Shank



Color	Style A - 3/4" W Item #	Style B - 13/16" W Item #
Beige	-	P500-1316AL
Black	P500-34BL	P500-1316BL
Brown	-	P500-1316BR
Dove Gray	-	P500-1316DG
White	P500-34WH	P500-1316WH

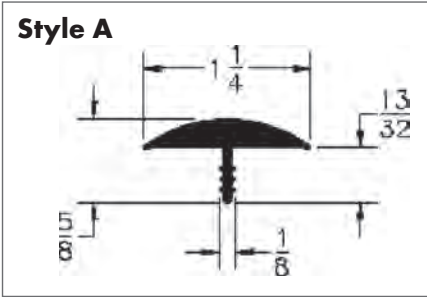


Color	Style C - 7/8" W Item #	Style D - 1-1/4" W Item #
Black	P500-78BL	P500-114BL
Light Gray	-	P500-114LG
White	P500-78WH	P500-114WH

A  
B  
C  
D  
E  
F  
G  
H  
I  
J  
K  
L  
M  
N  
O  
P  
Q  
R  
S  
T  
U  
V  
W  
X  
Y

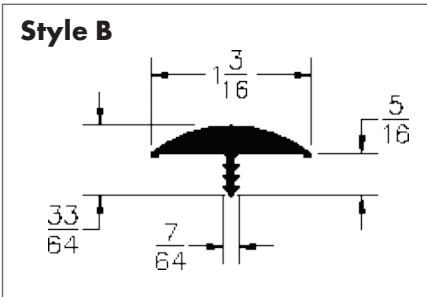
**A BUMPER MOLDINGS & U-CHANNELS**

**Style A**



Style A Item #	Size	Color
P575-114BL	1-1/4"	Black

**Style B**



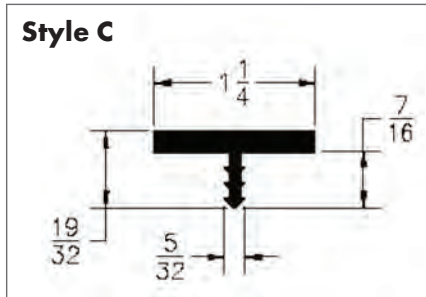
Style B Item #	Size	Color
P575-1316BL	1-3/16"	Black

**Bumper Moldings**

- Specially formulated flexible PVC
- "Rubbery" plastic will not become brittle and has a self-healing effect when subject to abuse
- Designed to seat firmly and hug the edge permanently
- When a radius or curve is too small, simply notch the barbed section to maintain a firm fit
- Sold in 250' Rolls

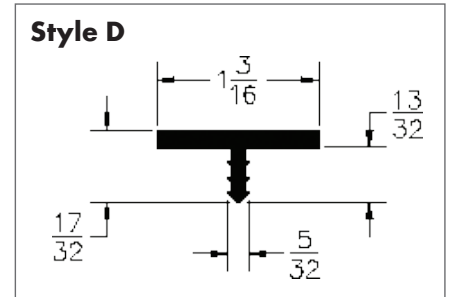


**Style C**



Style C Item #	Size	Color
P580-114BL	1-1/4"	Black

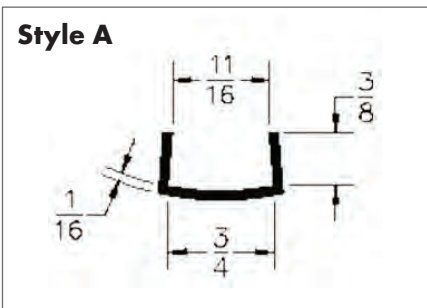
**Style D**



Style D Item #	Size	Color
P580-1316BL	1-3/16"	Black

Item #	Description
<b>Recommended Cutters</b>	
AN53204	3 Wing Slotting Cutter, 7/64" leg
AN47600	Arbor, 1/4" Shank

**Style A**



**U-Channels**

- Designed to finish single edges of shelves and boards
- Manufactured from a variety of resins
- Impact resistant
- Sold in 8' Strips



Style A Item #	Size	Color
P400-34WH	3/4"	White

**SECTION N - TABLE OF CONTENTS**

**Section N Contents:**

Support Brackets .....	2-10
Floating Brackets/Shelves.....	11-13
Shelf Supports .....	14-21
Hanging Rail Systems.....	22
Closet Tubing & Accessories.....	23-29
Closet Accessories .....	30-44
Sidelines Closet Accessories.....	45-56



A  
B  
C  
D  
E  
F  
G  
H  
I  
J  
K  
L  
M  
N  
O  
P  
Q  
R  
S  
T  
U  
V  
W  
X  
Y



A  
B  
C  
D  
E  
F  
G  
H  
I  
J  
K  
L  
M  
N  
O  
P  
Q  
R  
S  
T  
U  
V  
W  
X  
Y

## WORKSTATION BRACKETS



### Shelf & Countertop Supports Rigid, Heavy Duty



- Load rating 1,000 lbs. per pair
  - 1/8" steel
  - Multiple 1/4" mounting hole locations (mounting hardware not included)
  - For use in workbenches, workstations, garage storage, ADA stations, computer stations, etc.
  - Reversible design makes brackets versatile and easy to use
  - Packaged in equal quantities of "rights" and "lefts"
  - The six larger sizes have a 3" x 3" - 45° notch that allows for wall cleat and wire run clearance
- Packing and sold in: As shown below. Available in any quantity of pairs.

Almond Item #	Black Item #	Gray Item #	Primed Item #	Stainless Steel Item #	White Item #	Box Qty
<b>5" Shelf Length x 8" Wall Length</b>						
PROWSB05X08-AL	PROWSB05X08-BL	PROWSB05X08-GR	-	-	PROWSB05X08-WH	5 Pair
<b>8" Shelf Length x 12" Wall Length</b>						
PROWSB08X12-AL	PROWSB08X12-BL	PROWSB08X12-GR	-	-	PROWSB08X12-WH	5 Pair
<b>12" Shelf Length x 18" Wall Length</b>						
-	PROWSB12X18-BL	PROWSB12X18-GR	-	-	PROWSB12X18-WH	3 Pair
<b>15" Shelf Length x 21" Wall Length</b>						
PROWSB15X21-AL	PROWSB15X21-BL	PROWSB15X21-GR	PROWSB15X21-PR	PROWSB15X21-SS	PROWSB15X21-WH	3 Pair
<b>18" Shelf Length x 18" Wall Length</b>						
PROWSB18X18-AL	PROWSB18X18-BL	PROWSB18X18-GR	PROWSB18X18-PR	-	PROWSB18X18-WH	3 Pair
<b>18" Shelf Length x 24" Wall Length</b>						
PROWSB18X24-AL	PROWSB18X24-BL	PROWSB18X24-GR	PROWSB18X24-PR	-	PROWSB18X24-WH	3 Pair
<b>24" Shelf Length x 24" Wall Length</b>						
PROWSB24X24-AL	PROWSB24X24-BL	PROWSB24X24-GR	-	-	PROWSB24X24-WH	3 Pair
<b>24" Shelf Length x 29" Wall Length</b>						
PROWSB24X29-AL	PROWSB24X29-BL	PROWSB24X29-GR	-	-	PROWSB24X29-WH	2 Pair



**SHELF & COUNTERTOP SUPPORTS**



**Speed Brace, Heavy Duty Brackets**



- Load rating at 1,000 lbs. per pair
- 1-1/2" x 1-1/2" notching system for quick alignment and installation (3/4" x 1-1/2" on FCSB5X8 Series)
- Cable management holes and countersunk screw holes
- 10 piece Speed Brace Anchors: FCSB-ANCHOR
- Sold by the each

Size	Black Item #	Prime Item #	Stainless Steel Item #	White Item #
5" Shelf Length x 8" Wall Length	FCSB5X8-BL	-	-	FCSB5X8-WH
8" Shelf Length x 12" Wall Length	FCSB8X12-BL	FCSB8X12-PRIME	FCSB8X12-SS	FCSB8X12-WH
15" Shelf Length x 18" Wall Length	FCSB15X18-BL	FCSB15X18-PR	FCSB15X18-SS	FCSB15X18-WH
21" Shelf Length x 24" Wall Length	FCSB21X24-BL	FCSB21X24-PR	FCSB21X24-SS	FCSB21X24-WH
21" Shelf Length x 28" Wall Length	FCSB21X27-BL	FCSB21X28-PR	FCSB21X27-SS	FCSB21X27-WH

**Concealed Brackets**

- 1/4" steel
- Includes mounting hardware 3/8" x 4" carriage bolts, hex nuts and flat washers
- Mounts directly to wall studs
- Load limit over 1,000 lb. per pair
- All welds on reverse for easy, clean install
- Sold by the pair



Item #	Depth	Overall Height	Color
<b>9" Support Arm Length</b>			
PROWCB-09AL	9"	12"	Almond
PROWCB-09BL	9"	12"	Black
PROWCB-09GR	9"	12"	Gray
PROWCB-09WH	9"	12"	White
<b>12" Support Arm Length</b>			
PROWCB-12AL	12"	12"	Almond
PROWCB-12BL	12"	12"	Black
PROWCB-12GR	12"	12"	Gray
PROWCB-12WH	12"	12"	White
<b>18" Support Arm Length</b>			
PROWCB-18AL	18"	18"	Almond
PROWCB-18BL	18"	18"	Black
PROWCB-18GR	18"	18"	Gray
PROWCB-18WH	18"	18"	White
<b>24" Support Arm Length</b>			
PROWCB-24AL	24"	18"	Almond
PROWCB-24BL	24"	18"	Black
PROWCB-24GR	24"	18"	Gray
PROWCB-24WH	24"	18"	White



A  
B  
C  
D  
E  
F  
G  
H  
I  
J  
K  
L  
M  
N  
O  
P  
Q  
R  
S  
T  
U  
V  
W  
X  
Y

A  
B  
C  
D  
E  
F  
G  
H  
I  
J  
K  
L  
M  
N  
O  
P  
Q  
R  
S  
T  
U  
V  
W  
X  
Y

**SHELF & COUNTERTOP SUPPORTS**



**EH Series Surface Mount Bracket**

**Rakks®**

- Rakks Counter Support Brackets keep work areas open and accessible
- They provide heavy duty support for counters up to 30" deep while improving the handicapped accessibility and ergonomics of the work area
- Rakks counter support brackets are manufactured from easy-to-recycle structural aluminum
- Sold by the each

Item #	Size	Counter Depth	Weight Capacity	Finish
<b>Surface Mount - 12" x 9"</b>				
RKKEH-1209	12" x 9"	13"	650 lb per bracket	Mill
RKKEH-1209-A	12" x 9"	13"	650 lb per bracket	Almond
RKKEH-1209-B	12" x 9"	13"	650 lb per bracket	Black
RKKEH-1209-W	12" x 9"	13"	650 lb per bracket	Off-White/Primed
<b>Surface Mount - 12" x 12"</b>				
RKKEH-1212	12" x 12"	18"	650 lb per bracket	Mill
RKKEH-1212-A	12" x 12"	18"	650 lb per bracket	Almond
RKKEH-1212-B	12" x 12"	18"	650 lb per bracket	Black
RKKEH-1212-W	12" x 12"	18"	650 lb per bracket	Off-White/Primed
<b>Surface Mount - 18" x 18"</b>				
RKKEH-1818	18" x 18"	24"	450 lb per bracket	Mill
RKKEH-1818-A	18" x 18"	24"	450 lb per bracket	Clear Ano
RKKEH-1818-B	18" x 18"	24"	450 lb per bracket	Black
RKKEH-1818-W	18" x 18"	24"	450 lb per bracket	Off-White/Primed
<b>Surface Mount - 18" x 24"</b>				
RKKEH-1824	18" x 24"	30"	450 lb per bracket	Mill
RKKEH-1824-A	18" x 24"	30"	450 lb per bracket	Clear Ano
RKKEH-1824-B	18" x 24"	30"	450 lb per bracket	Black
RKKEH-1824-W	18" x 24"	30"	450 lb per bracket	Off-White/Primed
<b>Flush Mount - 12" x 9"</b>				
RKKEH-1209FM	12" x 9"	13"	430 lb per bracket	Mill
RKKEH-1209FM-B	12" x 9"	13"	430 lb per bracket	Black
RKKEH-1209FM-W	12" x 9"	13"	430 lb per bracket	Off-White/Primed
<b>Flush Mount - 12" x 12"</b>				
RKKEH-1212FM	12" x 12"	18"	430 lb per bracket	Mill
RKKEH-1212FM-A	12" x 12"	18"	430 lb per bracket	Clear Ano
RKKEH-1212FM-B	12" x 12"	18"	430 lb per bracket	Black
RKKEH-1212FM-W	12" x 12"	18"	430 lb per bracket	Off-White/Primed
<b>Flush Mount - 18" x 18"</b>				
RKKEH-1818FM	18" x 18"	24"	300 lb per bracket	Mill
RKKEH-1818FM-A	18" x 18"	24"	300 lb per bracket	Clear Ano
RKKEH-1818FM-B	18" x 18"	24"	300 lb per bracket	Black
RKKEH-1818FM-W	18" x 18"	24"	300 lb per bracket	Off-White/Primed
<b>Flush Mount - 18" x 24"</b>				
RKKEH-1824FM	18" x 24"	30"	300 lb per bracket	Mill
RKKEH-1824FM-A	18" x 24"	30"	300 lb per bracket	Clear Ano
RKKEH-1824FM-B	18" x 24"	30"	300 lb per bracket	Black
RKKEH-1824FM-W	18" x 24"	30"	300 lb per bracket	Off-White/Primed

**SHELF & COUNTERTOP SUPPORTS**



**Inside Wall Counter Support Face Plate**



- Designed to work with Rakks EH-1818, EH-1824, EH-1212 and EH-1209 Flush-Mount Counter Supports
- Adhesive backed plate fits over the supporting arm of the bracket and eliminates the need to patch and fill the drywall
- Sold by the each

Item #	Size	Finish	Use With
RKKEH-FP22	2" x 2" x 1/4"	Aluminum	EH-1818, EH-1212 and EH-1209 Flush Mount Supports
RKKEH-FP23	2" x 3" x 3/16"	Aluminum	EH-1824 Flush Mount Supports



**Concealed Brackets With Upper Extension**



- 1/4" steel
- Includes mounting hardware 3/8" x 4" carriage bolts, hex nuts and flat washers
- Mounts directly to wall studs
- Load limit over 1,000 lb. per pair
- All welds on reverse for easy, clean install
- Sold by the each in multiples of 2

Item #	Depth	Overall Height	Color	Box Qty
<b>9" Support Arm Length</b>				
PROWCBE-09BL	9"	20"	Black	2 Each
PROWCBE-09WH	9"	20"	White	2 Each
<b>12" Support Arm Length</b>				
PROWCBE-12BL	12"	20"	Black	2 Each
PROWCBE-12WH	12"	20"	White	2 Each
<b>18" Support Arm Length</b>				
PROWCBE-18BL	18"	26"	Black	2 Each
PROWCBE-18WH	18"	26"	White	2 Each
<b>24" Support Arm Length</b>				
PROWCBE-24BL	24"	26"	Black	2 Each
PROWCBE-24WH	24"	26"	White	2 Each

A  
B  
C  
D  
E  
F  
G  
H  
I  
J  
K  
L  
M  
N  
O  
P  
Q  
R  
S  
T  
U  
V  
W  
X  
Y

**A SHELF BRACKETS**



**Rigid Extra Heavy Duty Epoxy Coated L-Bracket**



- Load rated at up to 1,000 lbs. per pair
- Corrosion resistant epoxy coated finish
- 5mm bar stock
- Mount into or through a wooden stud using lag bolts 5/16" x 3" or longer
- Sold by the each

Dimensions	Black Epoxy Item #	White Epoxy Item #
11-1/2" x 8"	RVSI208-12BK	RVSI208-12WH
15-1/2" x 10"	RVSI208-16BK	RVSI208-16WH
19-1/2" x 13"	RVSI208-20BK	RVSI208-20WH
21-3/8" x 14-1/4"	RVSI208-22BK	RVSI208-22WH



**Rigid Extra Heavy Duty Ultimate L-Bracket**



- Load rated at 1,200 lbs. per pair
- Welded steel bracing
- 3/4" steel strut for superior weight capacity
- Often used for countertop installations

Dimensions	Black Item #	White Item #
11.6" x 8"	KV208-12BK	KV208-12WH
15.5" x 10"	KV208-16BK	KV208-16WH
19.5" x 13.1"	KV208-20BK	KV208-20WH
21.4" x 14.2"	KV208-22BK	KV208-22WH

**Visit us on our website: [wurthlac.com](http://wurthlac.com)**

Shop By Category

Home

**Würth Louis and Company**  
Introduces:

**RGB TUNABLE FLEXTAPE®**

Creating dramatic lighting with 16 million color combinations is now a reality with RGB Standard color-changing FlexTape®.



**NOW HIRING!**

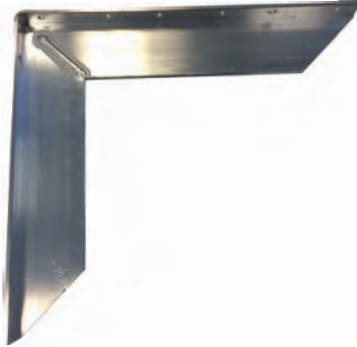
Apply at:  
[wurthlac.com/careers](http://wurthlac.com/careers)

**SUPPLY CHAIN CHALLENGES?**  
We have you COVERED.

LEARN MORE

**SHELF & COUNTERTOP SUPPORTS**

A  
B  
C  
D  
E  
F  
G  
H  
I  
J  
K  
L  
M  
N  
O  
P  
Q  
R  
S  
T  
U  
V  
W  
X  
Y



**EH B Series Surface Mount Bench Support Bracket**

**Rakks®**

- Used for seating applications incorporating 5" wooden planking
- The supporting arm is pre-drilled with 12 holes to provide secure installation
- Manufactured from 2" x 3" "T" to provide maximum stiffness
- Sold by the each

Item #	Weight Capacity	Size	Finish
RKKEH-1416B	450 lb per bracket	14-3/4" x 15-3/4"	Mill



**FB Sill Support Bracket**

**Rakks®**

- Manufactured from structural aluminum angle
- These brackets can be used anywhere low profile support or bracing is required
- Sold by the each

Item #	Weight Capacity	Size	Finish
RKKFB-0406	150 lb per bracket	4" D x 6" H	Mill



**EH Series Vanity Brackets**

**Rakks®**

- ADA compliant aluminum vanity brackets simplify and reduce the cost of installing sinks and provide a stable and sturdy mounting surface for custom-built enclosures
- Vanity Brackets are supplied with wooden strips on the front faces to provide for the convenient mounting, or removal, of laminated or solid surface panels
- Sold by the each

Item #	Weight Capacity	Size	Finish
RKKEH-1818-LV	450 lb. per Bracket	18" x 21-1/2"	Mill

**COUNTERTOP SUPPORTS & SHELF BRACKETS**



**Stealth Brace**

- Support countertop and bar overhangs with no visible kicker or corbels
- Countersunk screwholes
- Simply route a 3-1/2" slot in the substrate and mount
- Sold by the each



	Size	Weight Capacity	Black Item #	Prime Item #	White Item #
<b>Standard Duty</b>	3-1/2" x 12" x 3/16"	300 lb per pair	FCSTEALTH	FCSTEALTH-PR	FCSTEALTH-WHITE
	3-1/2" x 16" x 3/16"	300 lb per pair	FCSBSTEALTH-16BL	FCSBSTEALTH-16PR	-
	3-1/2" x 24" x 3/16"	300 lb per pair	FCSBSTEALTH-24BL	FCSBSTEALTH-24PR	-
	3-1/2" x 30" x 3/16"	300 lb per pair	FCSTEALTH-30BL	FCSTEALTH-30PRIMED	-
<b>Heavy Duty</b>	3-1/2" x 12" x 1/4"	500 lb per pair	FCSBSTEALTHHD-12BL	FCSBSTEALTHHD-12PR	-
	3-1/2" x 16" x 3/8"	500 lb per pair	FCSBSTEALTHHD-16BL	-	-
	3-1/2" x 24" x 3/8"	500 lb per pair	FCSBSTEALTHHD-24BL	-	-
	3-1/2" x 30" x 3/8"	500 lb per pair	FCSBSTEALTHHD-30BL	-	-



**Folding Shelf Bracket, Heavy Duty**

- Locks in at 4 positions (Flat, 70°, 80°, 90°)
- Spring loaded to automatically lock
- Front locking lever makes releasing easy



Item #	Size	Finish	Load Rating
KV206L-12	11.81"D x 7.87"H x 1.18"W	Zinc	750 lbs per pair
KV206L-16	15.75"D x 10.63"H x 1.42"W	Zinc	880 lbs per pair



**Folding Shelf Bracket**

- Made of 304 Stainless Steel
- Screws not included



Item #	Size	Finish	Load Rating
SGEB303-EP	12-1/32"W x 6-1/2"H	Electro Polished	330 lbs. per pair



**Folding Shelf Bracket, Light Duty**

- Steel material
- Spring held in closed position



Item #	Size	Finish	Load Rating
USFT6579500503	10"D x 3-1/4"H x 1/2"W	Yellow Zinc	88 lbs.

**SHELF STIFFENERS & BRACKETS WITH CLOSET ROD SUPPORT**

A  
B  
C  
D  
E  
F  
G  
H  
I  
J  
K  
L  
M  
N  
O  
P  
Q  
R  
S  
T  
U  
V  
W  
X  
Y

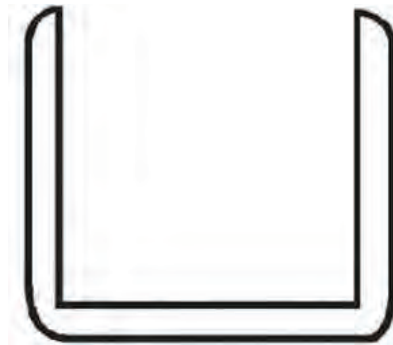


**Shelf Edging/Stiffener, Anodized Aluminum**

- For use on the edge of 3/4" material
- Used primarily for garage shelves for a "finished look"
- Also gives added support to the edge of the shelf



Item #	Finish	Length
PR5479-96AM	Anochrome	8'



**U-Channel**

- Made of aluminum
- Combines shelf stiffeners and edge coverings
- Usable on all 3/4" boards
- 3/4" interior depth x 3/4" interior width
- Sold per each



Item #	Description	Length	Finish
PR5438-96AM	Aluminum U-Channel	8'	Clear Anodized Aluminum
PR5438-96WH	Aluminum U-Channel	8'	White



A (Adjustable Heavy-Duty)



B (Heavy-Duty)



	Item #	Size	Finish	Gauge	Load Rating Per Pair	Shelf Depth	Shelf Platform	Accepts Rod Size Up To	Hook Depth	Sold In
A	KV1194WH	12.125"D x 9.625"H x 1.0"W	White	13	500 Lbs.	11" - 14"	10-1/4" - 10-3/4"	1-3/8"	3"H	Per Each
	KV1194CR	12.125"D x 9.625"H x 1.0"W	Cream	13	500 Lbs.	11" - 14"	10-1/4" - 10-3/4"	1-3/8"	3"H	Per Each
B	KV1195	12.5"D x 9.125"H x 0.937"W	White	12	500 Lbs.	11" - 14"	11"	1-3/8"	2-1/2"H	Per Each
	KV1195CR	12.5"D x 9.125"H x 0.937"W	Cream	12	500 Lbs.	11" - 14"	11"	1-3/8"	2-1/2"H	Per Each

**A BRACKETS WITH CLOSET ROD SUPPORT**



**Bracket With Oval Closet Rod Support**



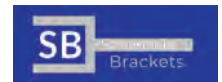
- Made of steel, 3mm thickness
- Supports oval closet rod, 30 x 15mm
- Shelf material up to 14" deep
- Load capacity: 110 lbs
- Screws are included

Item #	Dimensions	Finish	Sold In
FUTOV1-CH	10-7/8"H x 11-3/4"D x 1"W	Chrome	Per Each

B  
C  
D  
E  
F  
G  
H  
I  
J  
K  
L  
M  
N  
O  
P  
Q  
R  
S  
T  
U  
V  
W  
X  
Y



**Closet Rod Bracket**



- This bracket is compatible with closet rod sizes from 1" - 1-3/8"
- You can now hang a closet rod on any wall with a stud!
- Comes with a faceplate to completely hide the 2" x 2" hole cut into the sheetrock to install the bracket
- Sold by the each

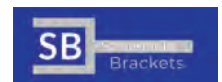


Item #	Description	Weight Capacity
SHBCR-12BL	Closet Rod Bracket, Black	150 lb
SHBCR-12WH	Closet Rod Bracket, White	150 lb

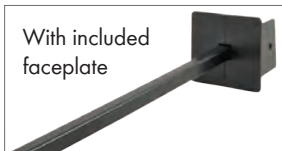
For dimensional line drawing, see our website.



**Closet Rod Bracket with Shelf Support**



- Perfect for any closet with a shelf (shelf not included)
- Aside from the bracket all you need to support your shelf is a cleat on the wall
- Comes with a faceplate to completely hide the 2" x 2" hole cut into the sheetrock to install the bracket
- Sold by the each



Item #	Description	Weight Capacity
SHBCRS-12BL	Closet Rod Bracket with Shelf Support, Black	150 lb
SHBCRS-12WH	Closet Rod Bracket with Shelf Support, White	150 lb

For dimensional line drawing, see our website.



## FLOATING BRACKETS



For dimensional line drawing, see our website.

### Floating Vanity Brackets



- Innovative floating shelf brackets post sheetrock installation eliminates the need to patch and repaint sheet rock
- "U" shaped design allows for easy install after sheetrock with only a 2" x 2" hole
- Front holes at top and bottom allow for easy install and leveling
- 3/4" tube steel bars welded to "U" bracket to allow plenty of support for heavy items
- 3/4" tube allows for extra weight of floating vanity to be easily supported even with heavy granite or concrete counter tops
- Support bar can be cut to length as needed
- Accessory kit available, includes 1 Wall Cover, 1 End Cap, and 1 Mid Clip
- Patent Pending
- Sold by the each

Item #	Description	Weight Capacity
SHBFS-20	20" Floating Vanity Bracket	200 lb
SHBFS-20KIT-BL	Vanity Access Kit, Black	-
SHBFS-20KIT-WH	Vanity Access Kit, White	-

A  
B  
C  
D  
E  
F  
G  
H  
I  
J  
K  
L  
M  
N  
O  
P  
Q  
R  
S  
T  
U  
V  
W  
X  
Y



For dimensional line drawing, see our website.

### Concealed Floating Countertop Brackets



- Perfect for any floating countertops
- From laminate to granite and everything in between, these brackets are easy to install and stay out of your way
- Wire management hole
- Faceplate included for a finished look
- Patent Pending
- Sold by the each

Item #	Description	Weight Capacity
SHBCT-18BL	18" Bracket, Black	350 lb
SHBCT-18WH	18" Bracket, White	350 lb
SHBCT-22BL	22" Bracket, Black	350 lb
SHBCT-22WH	22" Bracket, White	350 lb

**A FLOATING BRACKETS**



**Floating Shelf Brackets**



- Innovative floating shelf brackets post sheet rock
- Installation eliminates the need to patch and repaint sheet rock
- "U" shaped design allows for easy install after sheetrock with only a 2" x 2" hole
- Front holes at top and bottom allow for easy install and leveling
- 1/2" tube steel bars welded to "U" bracket to allow plenty of support for heavy items
- 1/2" tube allows for 2-1/4" thick, low profile shelf to slide over and still hide hole
- Patent Pending
- Sold by the each

For dimensional line drawing, see our website.

Item #	Weight Capacity
SHBFS-10	150 lb



**Floating Shelf Bracket, Concrete Walls**



- Floating Shelf bracket but for walls that are concrete or brick
- Pre-drill into your wall and then use a concrete screw to install the bracket
- This bracket will be completely hidden by a 2-1/4" thick shelf
- No need to worry about your shelves sagging or falling off the wall
- Sold by the each

For dimensional line drawing, see our website.

Item #	Weight Capacity
SHBCFS-10	150 lb



**Floating Shelf Bracket Set**



- Maximum Load Capacity for shelf size 8"D x 35"L: 37.4 Lbs.
- Maximum Load Capacity for shelf size 12"D x 35"L: 25.3 Lbs.
- **Note: The Tests are achieved by 2 supports with a shelf length of 35". For every 18" additional shelf length, please add additional shelf support.**
- Completely concealed
- Can be adjusted in any direction

Item #	Description
PT632-500-105	Includes: (1) Wall Support, (1) Rod Mount, (4) Plastic Wall Plugs & (4) Phillips Screws



**Shelf Supports For Shelves Up To 2" Thick**



- Fitting allows a shelf to be attached to a wall without any visible support
- Minimum shelf thickness of 7/8"
- Two supports are rated for 90 pound loads and three supports are rated for 135 lb. loads
- 1 set consists of: (1) shelf supporter, (1) hooking, anchors and screws

Item #
SYT3

**FLOATING SHELVES**



**Solid Wood Floating Shelves**

- Perfect for today's transitional and contemporary kitchen/bath
- System includes floating shelf, hanging brackets & hardware for mounting
- Hanging system safely supports 15 lbs. per foot of shelf length, exceeds KCMA requirements
- Shelves are 2-1/2" thick x 10" depth, trimmable to 2" depth
- Solid wood & wood veneer construction (Paint Grade is Poplar and MDF)



Species	Item #
<b>24" Length</b>	
Alder	OMFS0124QUF1
Cherry	OMFS0124CUF1
Hickory	OMFS0124HUF1
Maple	OMFS0124MUF1
Paint Grade	OMFS0124XUF1
<b>30" Length</b>	
Alder	OMFS0130QUF1
Cherry	OMFS0130CUF1
Hickory	OMFS0130HUF1
Maple	OMFS0130MUF1
Paint Grade	OMFS0130XUF1
<b>36" Length</b>	
Alder	OMFS0136QUF1
Cherry	OMFS0136CUF1
Hickory	OMFS0136HUF1
Maple	OMFS0136MUF1
Paint Grade	OMFS0136XUF1
Red Oak	OMFS0136OUF1

Species	Item #
<b>42" Length</b>	
Alder	OMFS0142QUF1
Cherry	OMFS0142CUF1
Hickory	OMFS0142HUF1
Maple	OMFS0142MUF1
Paint Grade	OMFS0142XUF1
<b>48" Length</b>	
Alder	OMFS0148QUF1
Cherry	OMFS0148CUF1
Hickory	OMFS0148HUF1
Maple	OMFS0148MUF1
Paint Grade	OMFS0148XUF1
Red Oak	OMFS0148OUF1



**Stainless Steel Floating Shelves**

- Complete turn-key system includes floating shelf, hanging brackets, hardware for mounting and instructions
- Individually cartoned
- Unique hanging system safely supports 20 pounds per running foot of shelf length, when installed per instructions
- Produced using 430 grade stainless steel



Item #	Size	Description
OMFS0124STUF1	24"L x 10"D x 2-1/2"H	Stainless Steel Floating Shelf Kit
OMFS0130STUF1	30"L x 10"D x 2-1/2"H	Stainless Steel Floating Shelf Kit
OMFS0136STUF1	36"L x 10"D x 2-1/2"H	Stainless Steel Floating Shelf Kit

A  
B  
C  
D  
E  
F  
G  
H  
I  
J  
K  
L  
M  
N  
O  
P  
Q  
R  
S  
T  
U  
V  
W  
X  
Y

**A METAL SHELF SUPPORTS/PINS**

B  
C  
D  
E  
F  
G  
H  
I  
J  
K  
L  
M  
N  
O  
P  
Q  
R  
S  
T  
U  
V  
W  
X  
Y



**Spoon Shaped Shelf Support, 5mm & 1/4" Bores**



- 5mm bore spoon shaped supports have 3/8" L x 5/16" W shelf rest area
- 1/4" bore spoon shaped supports have a 1/2" L x 5/16" W shelf rest area
- 5mm bore pin is 3/8" L and 1/4" bore pin is 5/16" L
- Sold In: Full Box Quantities

Finish	Item #	Sold In
<b>5mm Bore</b>		
Brass	PG306-BR	100
Nickel	PG306-NK	100
<b>1/4" Bore</b>		
Brass	PG206-BR	100
Nickel	PG206-NK	100



**Spoon Shaped Shelf Support, 5mm Bore**



- Pin Length: 5/16" (8mm)
- Shelf Rest: 5/16" (8mm) wide x 7/16" (11mm) long
- Sold In: Full Box Quantities

Item #	Description	Finish	Sold In
KV332-ANO	5mm Spoon Shaped Shelf Support	Anochrome	1,000



**Spoon Shaped Shelf Support, 1/4" Bore**



- For 1/4" hole
- Pin Length: 3/8" (9mm)
- Shelf Rest: 3/8" (9mm) wide x 1/2" (13mm) long
- Sold In: Full Box Quantities

Item #	Description	Finish	Sold In
KV331-ANO	1/4" Spoon Shaped Shelf Support	Anochrome	1,000

**ROD SHELF SUPPORTS & SHELF SUPPORT GROMMETS**



**Steel Rod Shaped Shelf Support  
5mm Bore With Center Stop**



- Overall rod length is 5/8"
- Sold by the each, available any quantity

Item #	Finish	Box Qty	Sold In
HA282.43.905	Zinc	1,000	Per Each



**Solid Steel Shelf Pin Rest, 5mm Bore**



- Solid steel nickel-plated shelf rest to fit 5mm hole borings
- Shelf support protrudes 19/32" and is 5/16" diameter
- Pin measures 5mm (3/16") dia. and is 5/16" long permitting pins to be introduced on both sides of a 5/8" thick wall
- Sold by the each

Item #	Box Qty	Sold In
SYX3014K	500	Per Each



**Shelf Support Grommet,  
5mm & 1/4" Bores**



- Sized to accept 5mm and 1/4" bore shelf pins
- 5mm grommet requires 7/32" (5.3mm) diameter hole size while 1/4" grommet requires 17/64" (6.7mm) diameter hole to accommodate grommet
- 5mm bore grommet depth of 3/16", while the 1/4" bore grommet depth is 1/4"
- Sold by the each, available any quantity

Shelf Pin Bore Size	Finish	Item #	Box Qty	Sold In
1/4"	Zinc	FE1284ZC	1,000	Per Each
1/4"	Brass	FE1284BR	1,000	Per Each

A  
B  
C  
D  
E  
F  
G  
H  
I  
J  
K  
L  
M  
N  
O  
P  
Q  
R  
S  
T  
U  
V  
W  
X  
Y

**A METAL SHELF SUPPORTS**



**"L" Shaped Steel Shelf Support  
5mm & 1/4" Bores**



- "L" shaped supports have 5/8" L x 1/2" W shelf rest area
- Support has hole to accommodate screw for affixing to shelf
- 5mm bore pin length is 5/16", 1/4" bore pin length is 3/8"
- Sold by hundreds

Bore Size	Finish	With Hole	Item #	Sold In
<b>5mm Bore</b>				
5mm	Brass	Yes	PG707-BR	100
5mm	Nickel	Yes	PG707-NK	100
<b>1/4" Bore</b>				
1/4"	Brass	Yes	PG607-BR	100
1/4"	Bronze	Yes	PG607-BZ	100
1/4"	Nickel	Yes	PG607-NK	100
1/4"	Brass	No	PG606-BR	100
1/4"	Nickel	No	PG606-ZC	100



**"L" Shaped Metal Shelf Pins  
1/4" Bore**



- Pin length: 3/8" (9mm)
- Shelf Rest: 1/2" (9mm) wide x 11/16" (17mm) long

Item #	Finish	Sold In
KV346	Anochrome	Per Each
KV346BR	Brass Look	Per Each
KV346WAL	Walnut	Per Each



**"L" Shaped Brass Shelf Support  
5mm Bore**



- Pin Diameter: 4.7mm, for 5mm hole (use with KV129 rubber cushion)
- Pin Length: 5/16" (8mm)
- Dimensions: 1/2" (13mm) wide x 11/16" (17mm) long

Item #	Finish	Sold In
KV345NP	Nickel	Per Each
KV345WAL	Walnut	Per Each

**METAL & PLASTIC SHELF SUPPORTS**



**“L” Shaped Steel Shelf Support  
With Vinyl Tip, 5mm Bore**



- Pin length is 5/16” (8mm)
- Shelf support is 1/2” (13mm) wide x 1 1/16” (17mm) long

Item #	Support Finish	Vinyl Tip Color	Sold In
KV348BN	Brass	Brown	Per Each
KV348WH	Brass	White	Per Each
KV348-AL	Brass	Almond	Per Each



**Plastic Shelf Support With Steel Pin  
5mm Bore, Value Priced**



- Pin length is 5/16”
- Shelf rest area is 13/32”L x 7/16”W
- Plastic support with steel pin
- Sold by hundreds

Finish	Item #	Sold In
Clear	PG438CL	100
White	PG438WH	100
Almond	PG438AL	100
Brown	PG438BN	100

Visit us on our website: [wurthlac.com](http://wurthlac.com)

A  
B  
C  
D  
E  
F  
G  
H  
I  
J  
K  
L  
M  
N  
O  
P  
Q  
R  
S  
T  
U  
V  
W  
X  
Y

**A PLASTIC SHELF SUPPORTS**



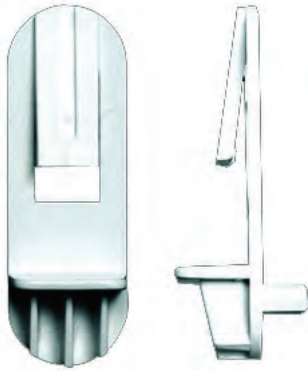
**Handed Locking Shelf Support, 5mm Bore Supports 3/4" Thick Shelf**



- Dowel Length: .240"
- Offset: .125"
- Shelf clearance: 5mm
- Sold by thousands

Item #	Description	Finish	Sold In
TNNT802-01	Left Shelf Support	Clear	1,000
TNNT802-02	Right Shelf Support	Clear	1,000

B  
C  
D  
E  
F  
G  
H  
I  
J  
K  
L  
M  
N  
O  
P  
Q  
R  
S  
T  
U  
V  
W  
X  
Y

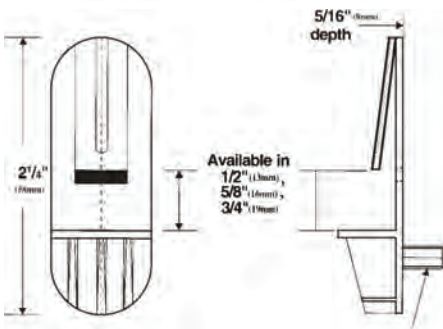


**Plastic Locking Shelf Support 5mm & 1/4" Bores**



- Plastic shelf locking support clips for 5/8" and 3/4" shelves
- Shelf rest area is 1/2" L x 3/4" W
- Sold per each

For Use With	Finish	1/4" Bore Box Qty: 1,000 Item #	5mm Bore Box Qty: 1,000 Item #
5/8" Shelves	Clear	-	RV30558CL
5/8" Shelves	White	-	RV30558WH
3/4" Shelves	Clear	-	RV30534CL
3/4" Shelves	White	RV30134WH	RV30534WH



**Locking Shelf Support, 5mm Bore Supports 3/4" or 1" Thick Shelves**



- 5mm pegs at 32mm c/c
- Dual peg locking tongue support
- Sold in unit of measure as noted below

Item #	Description	Finish	Unit of Measure
BA3220CL-62	Locking Shelf Support	Clear	Each



**PLASTIC SHELF SUPPORTS**



**Locking Shelf Support, 5mm Bore Supports 3/4" or 1" Thick Shelves**



- Made from ultra strong, clear polycarbonate
- Screw it to side panel to make it tamper proof
- Shelf can be attached to shelf support
- Passes 300 lbs. shear test (each)
- Shelf loads of over 500 lbs.
- Sold in full box quantities only

Item #	Finish	Box Qty
TNTB403	Clear	100



**5mm Bore Double Pins, Plastic**



- Double lock design allows shelf support to accept, support and lock in 3/4" and 1" thick shelves
- Dual 5mm diameter pins are 32mm c/c
- Shelf rest area is 1"L x 1/2"W
- ANSI/BHMA tested and certified
- Sold per each

Finish	Item #	Box Qty	Sold In
White	HC5030010-WH	100	Per Each
Clear	HC5030095-CLR	100	Per Each



**"L" Shaped Plastic Shelf Support 5mm Bore**

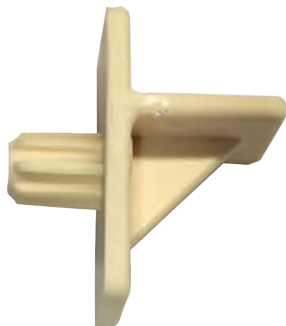


- Shelf rest area is 1/2"L x 9/16"W
- 5mm bore, non-fluted 3/8" long stem
- Sold in full box quantity

Color	Item #	Sold In
Clear	HGH802CL1000	1,000

A  
B  
C  
D  
E  
F  
G  
H  
I  
J  
K  
L  
M  
N  
O  
P  
Q  
R  
S  
T  
U  
V  
W  
X  
Y

**A PLASTIC SHELF SUPPORTS**



**“L” Shaped Plastic Shelf Support  
1/4” Bore, Heavy Duty**



- “L” shaped supports have 1/2” long and 1/2” wide shelf rest area
- Pin length is 5/16” and is fluted
- Sold in full box quantity

Finish	Item #	Box Qty
Almond	HGH627A1000	1,000
Dark Brown	HGH627WAL1000	1,000
White	HGH627WH1000	1,000



**Nylon Shelf Pins & Shelf Hold-Down, 5mm Bore**



- Fits 5mm diameter hole in 32mm system
- May be used in pin holes one above and one below shelf
- Locks shelf into place for transport
- Made of White Nylon

Item #	Sold In
SYP5638W	Per Each



**Shelf Supports, Translucent Plastic**



- 5mm diameter bore
- For shelf thickness 16mm and 19mm
- Holds shelf firmly in place

Item #	Sold In
HET1005082	Per Each



**Wire Shelf Support  
1/8” Bore**



- Makes shelves adjustable and removable, yet strong and firm
- Drill a series of 1/8” diameter holes x 1/2” deep in the side wall, horizontally separated according to the wire selected and the shelf depth

Length	Item #	Sold In
6-1/4”	SYMW6	Per Each
7-3/4”	SYMW7	Per Each
9-3/4”	SYMW9	Per Each
13-3/4”	SYMW13	Per Each

**GLASS SHELF SUPPORTS**



**Non-Skid Glass Shelf Support, 5mm Bore**



- Nickel-plated steel shelf support with anti-skid rubber treads to keep glass in place
- Shank is 5mm diameter by 9mm long permitting entry into a 3/4" sidewall from both sides
- Shelf rest area extends 3/8" and has three rubber donuts to protect glass from scratching

Item #	Finish	Sold In
SYX1391N	Nickel Plated	Per Each

A  
B  
C  
D  
E  
F  
G  
H  
I  
J  
K  
L  
M  
N  
O  
P  
Q  
R  
S  
T  
U  
V  
W  
X  
Y



**Non-Skid Glass Shelf Support, 5mm Bore**



- Support flat-type shelf rest with 7/16" dia. nylon suction cup for sliding glass
- Pin is 5mm dia. x 9mm L permitting entry from both sides of a 3/4" sidewall
- Projection is 11/16"

Item #	Finish	Sold In
SYX138N	Nickel Plated	Per Each



**Clamping Glass Shelf Support, 5mm Bore**



- Metal support that locks glass firmly into place via a rubber tipped nylon screw
- Accommodates glass shelf thickness of 3/16" to 1/4"
- Can also be used as a pivot hinge with 3/8" diameter plastic bushing
- 5mm bore pin is 5/16" long
- Support holding shelf is 3/4" square

Item #	Finish	Sold In
SY301521CH	Chrome	Per Each

**A HANGING RAIL SYSTEMS**



A



B



C



D



E

**180 Lb Rated Hanging Rail System**

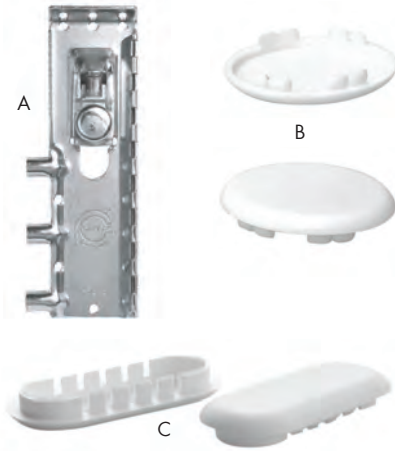


- Steel Hanging Rail with oval holes
- Brackets are rated at 180 lbs. per pair
- Brackets Left/Right adjustment is 11mm, Up/Down adjustment is 14mm

	Item #	Description
A	HA290.11.901	Steel Hanging Rail with oval holes, 1"W x 97"L
B	PT883-01-24	Cover for 1" Steel Hanging Rail, White
	PT883-55-24	Cover for 1" Steel Hanging Rail, Almond
	PT883-04-24	Cover for 1" Steel Hanging Rail, Brown
C	PT16-85450	Hanging Rail Bracket, Left Sided, Zinc plated
D	PT16-85451	Hanging Rail Bracket, Right Sided, Zinc plated
E	PT16-85252-680	Cover Cap for Hanging Rail Bracket, Left Sided, White
	PT16-85253-680	Cover Cap for Hanging Rail Bracket, Right Sided, White

Visit us on our website: [wurthlac.com](http://wurthlac.com)

**ROUND CLOSET TUBING**



**Concealed Metal Hanging Bracket & Cover Cap**



- Primary use for kitchen cabinets
  - Mounts behind back panel
  - 286 lbs. weight capacity per pair
  - Adjustment: 10mm Left to Right / 12mm Up and Down
- Sold In: Both broken and full box quantities.

	Item #	Description
A	PT816-DU-DX	Concealed Bracket, Right Side Mount
	PT816-DU-SX	Concealed Bracket, Left Side Mount
<b>Cover Caps</b>		
B	PT810-35-01	40mm Round Cover Cap, White Finish, for 816 Bracket
C	PT810-00-01	40mm x 20mm Oval Cover Cap, White Finish, for 816 Bracket



**1-1/16" Diameter Round Chrome Tubing**



- Wall thickness of .075"
- Chrome Look finish

Item #	Length
KV750-1-72	6 ft.
KV750-1-96	8 ft.
KV750-1-120	10 ft.
KV750-1-144	12 ft.



**1-1/16" Diameter Round Tubing Heavy Duty, Stainless Steel**



- .087" (2.2mm) wall thickness
- Stainless steel skin over steel

Item #	Length
KV660-72	6 ft.
KV660-96	8 ft.
KV660-120	10 ft.
KV660-144	12 ft.



**1-1/16" Diameter Round Tubing Extra Heavy Duty, Thick Wall Tubing**



- Chrome Look finish
- Extra thick wall thickness of .106"

Item #	Length
KV770-1-72	6 ft.
KV770-1-96	8 ft.

A  
B  
C  
D  
E  
F  
G  
H  
I  
J  
K  
L  
M  
N  
O  
P  
Q  
R  
S  
T  
U  
V  
W  
X  
Y

**A ROUND CLOSET TUBING & FLANGES**

**B**  
**C**  
**D**  
**E**  
**F**  
**G**  
**H**  
**I**  
**J**  
**K**  
**L**  
**M**  
**N**  
**O**  
**P**  
**Q**  
**R**  
**S**  
**T**  
**U**  
**V**  
**W**  
**X**  
**Y**



**1-1/16" Diameter Round Chrome Tubing, Value Priced Steel**



- High quality steel with a wall thickness of .080"
- Material is 14 gauge steel with Polished Chrome finish

Item #	Length
YYTUBE-1-48	4 ft.
YYTUBE-1-60	5 ft.
YYTUBE-1-72	6 ft.
YYTUBE-1-96	8 ft.
YYTUBE-1-120	10 ft.
YYTUBE-1-144	12 ft.



Closed



Open

**1-1/16" Diameter Chrome Flanges Value Priced Round Open & Closed Style**



- Flange is made of steel
- Three screw hole design (sold without screws)

Item #	Flange Type	Finish
YYFLANGE-1O-CH	Open	Polished Chrome
YYFLANGE-1C-CH	Closed	



**1-1/16" Dia. Flange, Round Open & Closed Style**



- For 1-1/16" OD tubing
- Made of steel
- Screw holes 2" on center, screws included

Item #	Flange Type	Finish
KV734	Closed	Chrome-look
KV735	Open	



**1-1/16" Dia. Chrome Flange, Open w/Pins**



- For 1-1/16" OD tubing
- 2 pins 32mm on center for 5mm bore holes
- 1 hole for screw mount, screws included

Item #	Finish
KV632CH	Chrome Look

**ROUND CLOSET TUBING**



**1-5/16" Diameter Round Chrome Tubing**

- Wall thickness: .075"
- Available in four lengths
- Made of steel, Chrome Look finish



Length	Item #
6 ft.	KV770-5-72
8 ft.	KV770-5-96

Length	Item #
10 ft.	KV770-5-120
12 ft.	KV770-5-144



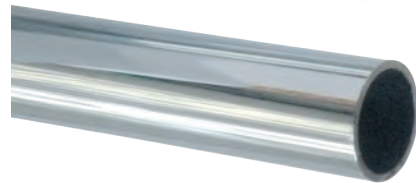
**1-5/16" Diameter Round Chrome Tubing Heavy Duty, Thick Wall**

- Extra wall thickness of 1.06"
- Available in four lengths
- Steel construction



Length	Item #
6 ft.	KV750-5-72
8 ft.	KV750-5-96

Length	Item #
10 ft.	KV750-5-120
12 ft.	KV750-5-144



**1-5/16" Diameter Round Tubing, Value Priced**

- Wall thickness .078"



Item #	Length	Finish	Material
YYTUBE-5-48	4 ft.	Polished Chrome	Steel
YYTUBE-5-60	5 ft.	Polished Chrome	Steel
YYTUBE-5-72	6 ft.	Polished Chrome	Steel
YYTUBE-5-96	8 ft.	Polished Chrome	Steel
YYTUBE-5-120	10 ft.	Polished Chrome	Steel
YYTUBE-5-144	12 ft.	Polished Chrome	Steel
YYTUBE-5-96DB	8 ft.	Dull Brass	Aluminum
YYTUBE-5-96DC	8 ft.	Dull Chrome	Aluminum
YYTUBE-5-8DN	8 ft.	Dull Nickel	Aluminum
YYTUBE-5-8BLK	8 ft.	Matte Black	Aluminum
YYTUBE-5-8ORB	8 ft.	Oil Rubbed Bronze	Aluminum



**Center Support for 1-5/16" Diameter Closet Rod**

- Made of steel
- Screw mount
- Screws Included



Item #	For Closet Rod Size	C/C	Finish
YYCTR-5CH	1-5/16" Dia.	34mm	Chrome

A  
B  
C  
D  
E  
F  
G  
H  
I  
J  
K  
L  
M  
N  
O  
P  
Q  
R  
S  
T  
U  
V  
W  
X  
Y

**A ROUND CLOSET FLANGES**



**1-5/16" Diameter Flanges, Open & Closed**



- Flanges are made of a zinc alloy
- Holds a 1-5/16" dia. outside dimension tube
- Flanges have three screw holes (screws not included)

Open Item #	Finish	Type
YYFLANGE-5O-SN	Satin Nickel	Open
YYFLANGE-5O-DC	Dull Chrome	Open
YYFLANGE-5OCS-DB	Dull Brass	Open
YYFLANGE-5O-BLK	Matte Black	Open
YYFLANGE-5O-ORB	Oil Rubbed Bronze	Open
YYFLANGE-5O-CH	Polished Chrome	Open

Closed Item #	Finish	Type
YYFLANGE-5C-SN	Satin Nickel	Closed
YYFLANGE-5CS-DB	Dull Brass	Closed
YYFLANGE-5C-BLK	Matte Black	Closed
YYFLANGE-5C-ORB	Oil Rubbed Bronze	Closed
YYFLANGE-5C-CH	Polished Chrome	Closed



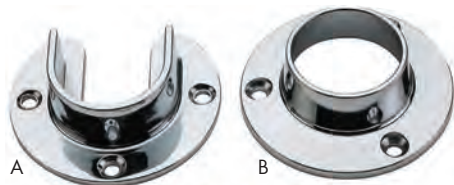
**1-5/16" Diameter Flanges Round Open & Closed With Pins**



- Flanges are made of a zinc alloy
- Holds a 1-5/16" diameter outside dimension tube
- Flange has two pins, 32mm on center for 5mm bore holes and center screw hole, screws not included

Open Item #	Finish	Type
YYFLANGE-5OP-SN	Satin Nickel	Open
YYFLANGE-5OP-DC	Dull Chrome	Open
YYFLANGE-5OP-DB	Dull Brass	Open
YYFLANGE-5OP-ORB	Oil Rubbed Bronze	Open
YYFLANGE-5OP-CH	Polished Chrome	Open

Closed Item #	Finish	Type
YYFLANGE-5CP-SN	Satin Nickel	Closed
YYFLANGE-5CP-DC	Dull Chrome	Closed
YYFLANGE-5CP-DB	Dull Brass	Closed
YYFLANGE-5CP-ORB	Oil Rubbed Bronze	Closed
YYFLANGE-5CP-CH	Polished Chrome	Closed



**1-5/16" Dia. Chrome Flanges, Open & Closed**



- For 1-5/16" tubing
- Chrome look finish
- Includes screws



	Item #	Type	Holes
A	KV766	Open	2-Holes on 2-1/4" centers, on at 90°
B	KV764	Closed	3-Holes spaced 1-1/8" from center



**Closet Tubing, Round End Caps**



- Anochrome finish

Item #	Description
KV730	Fits KV# 660 Tubing
KV731ANO	Fits tubing with 1-1/16" OD
KV732	Fits tubing with 1-5/16" OD



## OVAL CLOSET TUBING



### Oval Chrome Tubing, 30mm x 15mm Steel



- Tubing is made of steel with a Polished Chrome finish
- .039" wall thickness
- Available in 8' and 12' lengths

Item #	Length
FUTOV8-CH	8 ft. Closet Rod
FUTOV12-CH	12 ft. Closet Rod

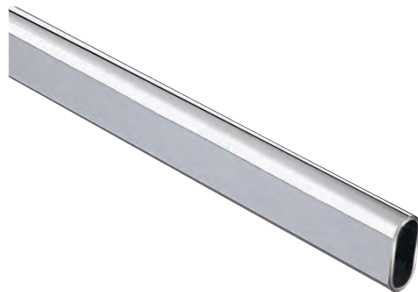


### Oval Tubing, 30mm x 15mm Aluminum, Varied Finishes



- Tubing is made of 100% aluminum
- .039" wall thickness
- Available in 8' lengths only

Item #	Finish
FUTOV8-DB	Dull Brass
FUTOV8-DCH	Dull Chrome
FUTOV8-DN	Dull Nickel
FUTOV8-MB	Matte Black
FUTOV8-ORB	Oil Rubbed Bronze



### Oval Chrome Tubing, 30mm x 15mm Heavy Duty, Steel



- Wall Thickness .047"
- Constructed of steel with a heavy gauge welded seam
- Chrome Look finish

Item #	Length
KV880-96CH	8 ft.
KV880-144CH	12 ft.



### Center Support for Oval Tubing



- Size: 9/16" x 1-3/16"
- (2) holes for mounting screws, 1-3/16" C/C
- Includes #6 x 3/4" screws

Item #	Finish
FUTOVC-CH	Chrome
FUTOVC-DB	Dull Brass
FUTOVC-DN	Dull Nickel
FUTOVC-ORB	Oil Rubbed Bronze

**A OVAL CLOSET FLANGES**



**Oval Flange, 30mm x 15mm  
Open Style, 3 Hole/No Pins**



- Flanges are made of a zinc alloy
- Flanges have 3 screw holes with no pins

Item #	Finish
FUTOVS-DN	Dull Nickel
FUTOVS-DC	Dull Chrome
FUTOVS-DB	Dull Brass
FUTOVS-MB	Matte Black
FUTOVS-ORB	Oil Rubbed Bronze
FUTOVS-CH	Polished Chrome

B  
C  
D  
E  
F  
G  
H  
I  
J  
K  
L  
M  
N  
O  
P  
Q  
R  
S  
T  
U  
V  
W  
X  
Y



**Oval Flange, 30mm x 15mm  
Open Style With Dual Pins**



- Flanges are made of a zinc alloy
- Flanges have two 5mm pins for use in 32mm systems and a single screw hole

Item #	Finish
FUTOVP-DN	Dull Nickel
FUTOVP-DC	Dull Chrome
FUTOVP-DB	Dull Brass
FUTOVP-MB	Matte Black
FUTOVP-ORB	Oil Rubbed Bronze
FUTOVP-CH	Polished Chrome



**Oval Chrome Flanges, 30mm x 15mm  
Open Style With Dual Pins**



- For use with KV880 Series or other 30mm x 15mm oval tubing
- Designed with 1 hole for extra mounting strength; two 5mm pins for use in 32mm systems
- Chrome Look finish

Item #	Finish
KV881CHR	Chrome

**CLOSET TUBING FLANGES & CENTER SUPPORTS**



**1-3/8" Diameter Round Plastic Flanges  
Open & Closed Pair Set, No Pins**

- 1-3/8" White plastic flange



Item #	Sold In
BA1323-WH	Per Pair



**Closet Rod Center Support  
Hanger for 2" Diameter Rods**

- Use for additional center support on closet rods up to 2" diameter
- Anochrome finish, screws included



Item #	Sold In
KV29201ANO	12/Box



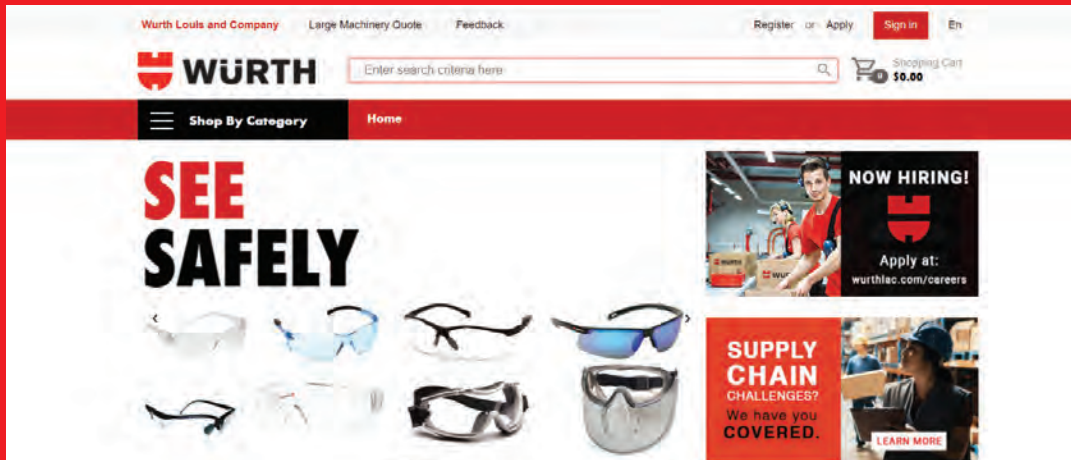
**Closet Rod Center Support**

- Flange at top of rod is designed to accept 1-1/16" outside diameter tubing
- Support is 24" long but can be cut shorter
- Use for ceiling or under shelf support and added center support for long rods
- Anochrome finish, screws included



Item #	Sold In
KV760	Per Each

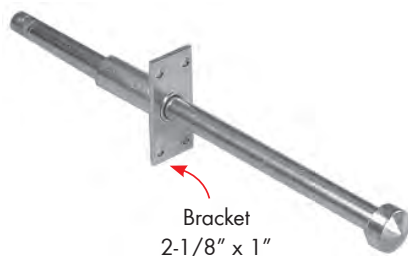
**Visit us on our website: [wurthlac.com](http://wurthlac.com)**



A  
B  
C  
D  
E  
F  
G  
H  
I  
J  
K  
L  
M  
N  
O  
P  
Q  
R  
S  
T  
U  
V  
W  
X  
Y

A  
B  
C  
D  
E  
F  
G  
H  
I  
J  
K  
L  
M  
N  
O  
P  
Q  
R  
S  
T  
U  
V  
W  
X  
Y

## CLOSET EXTENSION HANGERS



Bracket  
2-1/8" x 1"

### Inset Mount Rod

- .43" diameter rod
- Anochrome finish, screws included
- Extends 5/8" to 8-1/4", overall length is 10-5/16"
- Total clearance needed is 9.695"



Item #	Bore Length	Sold In
KV753	2-1/16"	Per Each



### Expandable Closet Tubing

- Expandable Steel round tubing, no need to cut
- Top tabs sit on shelf cleat for easy alignment
- Screws included



Length Range	White Item #	Sold In	Zinc Item #	Sold In
18" - 30"	KV2WH18	Per Each	KV2-18	Per Each
30" - 48"	KV2WH30	Per Each	KV2-30	10/Box
48" - 72"	KV2WH48	Per Each	-	-
60" - 96"	-		KV2ZC60	Per Each
96" - 144"	-		KV2ZC96	Per Each



### Extension Hanger, Ball Bearing Movement

- Ball bearing movement
- Extension hanger designed to mount perpendicularly underneath closet shelving
- Increases accessibility and closet capacity
- Garments are more accessible
- Anochrome finish



Item #	Fits Shelf Size	Length of Extension	Sold In
KV110	10" Only	10"	Per Each
KV112	12" - 16" Wide	12"	Per Each
KV116	16" - 20" Wide	16"	Per Each
KV120	20" - 24" Wide	20"	12/Box

**VALET RODS**

A  
B  
C  
D  
E  
F  
G  
H  
I  
J  
K  
L  
M  
N  
O  
P  
Q  
R  
S  
T  
U  
V  
W  
X  
Y



**Valet Rods, Standard Outside Mount**



- 12" depth standard valet rod mounts via 32mm hole pattern
- Rod extends 6"
- Requires only 4 screws to install, included
- Features a removable pull for easy customization

Item #	Finish
RVCVL-12CH	Chrome
RVCVL-12ORB	Oil Rubbed Bronze
RVCVL-12SN	Satin Nickel



**Valet Rods, Decorative Outside Mount Rod**



- Designed for 12" or 14" depth closet panels, mounts within 32mm hole patterns
- 12" depth rod extends 6-27/32" fully opened and 14" depth rod extends 8" fully opened
- Features a removable pull for changing out hardware
- Requires only 2 Euro screws to install (included)
- Adjustable mounting brackets included

12" Depth Item #	14" Depth Item#	Finish
RVCVR-12CH	RVCVR-14CH	Chrome
RVCVR-12ORB	RVCVR-14ORB	Oil Rubbed Bronze
RVCVR-12SN	RVCVR-14SN	Satin Nickel



**Valet Rods, Inset Mount Rod**



- Rod is 7" long, designed to fit 3/4" thick or thicker panels
- Rod extends 3-1/2" fully opened
- Removable pull hardware for easy customization

Item #	Finish
RVCVRI-7CH	Chrome
RVCVRI-7-ORB	Oil Rubbed Bronze
RVCVRI-7-SN	Satin Nickel
Optional Drill Guide	
RVCVRI-DG	

**A PULL-OUT PANTS RACKS**

B  
C  
D  
E  
F  
G  
H  
I  
J  
K  
L  
M  
N  
O  
P  
Q  
R  
S  
T  
U  
V  
W  
X  
Y



**Metal Pants Rack, Pull-Out Rack**



- Made of heavy gauge chrome with moveable fingers and full extension
- Designed for 14"W closet space
- Rack has adjustment feature
- Heavy duty full extension slides are rated at 100 lbs.

Item #	Dimensions	Finish	Capacity
RVPSC-1814CH	17-1/2" - 18-1/8"W x 3"H x 14"D	Chrome	9 Pairs of Pants
RVPSC-2414CH	23-3/4" - 24-1/2"W x 3"H x 14"D	Chrome	13 Pairs of Pants
RVPSC-3014CR	29-3/4" - 30-1/2"W x 3"H x 14"D	Chrome	16 Pairs of Pants



**Metal Pants Rack, Fan Style**



- Chrome plated fan rack has a distinctive fan feature with fingers
- Fan pant rack is made for 18" wide and 16" depth closet opening
- Can be mounted either right or left handed
- Rubber o-rings keep pants from slipping, polished ends prevent snags

Item #	Dimensions	Finish
RVCPRF-16CH	16-1/8"W x 16-1/8"D	Chrome
RVCPRF-16ORB	16-1/8"W x 16-1/8"D	Oil Rubbed Bronze



**Pull-Out Wood Pant Rack**



- Available in 24" and 30" widths
- Space for up to 18 standard pants
- 100 lbs. full-extension slides, rubber grommets to prevent slipping and removable rods
- 30" wide pants rack has space for tie storage
- Made from solid Birch/Maple

Item #	Dimensions
RVCWPR-2414	24" W x 14-3/8"D x 6" H
RVCWPR-3014	30" W x 14-3/8" D x 6" H

**PULL-OUT TIE/BELT RACKS**

A  
B  
C  
D  
E  
F  
G  
H  
I  
J  
K  
L  
M  
N  
O  
P  
Q  
R  
S  
T  
U  
V  
W  
X  
Y



**Tie Rack With Top Tray**



- Holds up to 20 ties, 5 belts and 4 peg closure belts
- Top tray for accessories
- Designed to mount to closet side panels and extends via ball bearing slide

Item #	Dimensions	Finish
RVTBC-14TCH	6"W x 14"D x 5"H	Chrome

**Steel Side Mount Tie/Belt Rack**



- Made of Steel w/full extension ball bearing slides
- Available in 12"D & 14"D

Sold In: Both broken full box quantities.



Steel Belt Rack



Steel Tie Rack

Item #	Size	Finish	Belt/Tie Capacity
<b>Steel Pull-Out Belt Rack</b>			
RVBRC-12CR	2-1/2"W x 12"D x 1-7/8"H	Chrome	7 Belt Hooks
RVBRC-12ORB	2-1/2"W x 12"D x 1-7/8"H	Oil Rubbed Bronze	7 Belt Hooks
RVBRC-12SN	2-1/2"W x 12"D x 1-7/8"H	Satin Nickel	7 Belt Hooks
RVBRC-14CH	2-1/2"W x 14"D x 1-7/8"H	Chrome	9 Belt Hooks
RVBRC-14ORB	2-1/2"W x 14"D x 1-7/8"H	Oil Rubbed Bronze	9 Belt Hooks
RVBRC-14SN	2-1/2"W x 14"D x 1-7/8"H	Satin Nickel	9 Belt Hooks
<b>Steel Pull-Out Tie Rack</b>			
RVTRC-12CR	2-1/2"W x 12"D x 1-7/8"H	Chrome	23 Ties
RVTRC-14CH	2-1/2"W x 14"D x 1-7/8"H	Chrome	25 Ties
RVTRC-14ORB	2-1/2"W x 14"D x 1-7/8"H	Oil Rubbed Bronze	25 Ties
RVTRC-14SN	2-1/2"W x 14"D x 1-7/8"H	Satin Nickel	25 Ties

**A PULL-OUT WOOD TIE RACKS**

B  
C  
D  
E  
F  
G  
H  
I  
J  
K  
L  
M  
N  
O  
P  
Q  
R  
S  
T  
U  
V  
W  
X  
Y



**Wood Pull-Out Tie Rack**



- Wood pull-out rack can hold over 120 ties
- Features 100 lb. full extension slides and rubber o-rings to prevent slipping
- Made from solid birch/maple

Item #	Dimensions
RVCWTR-2414	24"W x 14-3/8"D x 6"H



**Wood Tie Butler, Top Mount**



- Made of Maple with ball bearing slides and fits in min of 7" opening

Item #	Finish	Depth	Tie Capacity
RVCWTR-14	Natural	14"	44
RVCWTR-14B	Black	14"	44
RVCWTR-16	Natural	16"	52
RVCWTR-20	Natural	20"	68



**Wood Tie Racks, Side Mount**



- Made of Maple with full extension ball bearing slides

Item #	Finish	Depth	Tie Capacity
RVCWSTR-14B-1	Black	14"	22
RVCWSTR-14W	White	14"	22
RVCWSTR-20	Natural	20"	34



**BELT & TIE RACKS**



**Side Mount Wood Belt Rack**



- Designed for 3" wide spaces
- Full-extension slides
- Removable Pegs
- Carb II compliant

Item #	Description	Finish
RVCWSBR-14-1	2-3/4"W x 13-7/8"D x 2-7/8"H, Capacity = 17 Belts	Natural
RVCWSBR-20-1	2-3/4"W x 19-7/8"D x 2-7/8"H, Capacity = 23 Belts	Natural



**Top Mount Wood Belt Butler**



- Holds up to 26 Belts
- Durable wood construction
- Full-extension slides
- Removable Pegs
- Carb II compliant

Item #	Description	Finish
RVCWTBR-14B-1	4-1/2"W x 13-7/8"D x 3-3/8"H, Capacity = 26 Belts	Black



A



B

**Static Racks**



- Available in Chrome, Oil Rubbed Bronze and Satin Nickel
- Easy installation

	Item #	Description	Size	Capacity	Finish
<b>Static Belt Rack</b>					
A	RVBRC-12NS-CR	Static Belt Rack	1-7/8"W x 11-3/4"D x 1-3/4"H	7 Belts	Chrome
	RVBRC-12NS-ORB	Static Belt Rack	1-7/8"W x 11-3/4"D x 1-3/4"H	7 Belts	Oil Rubbed Bronze
	RVBRC-12NS-SN	Static Belt Rack	1-7/8"W x 11-3/4"D x 1-3/4"H	7 Belts	Satin Nickel
<b>Static Tie Rack</b>					
B	RVTRC-12NS-CR	Static Tie Rack	1-7/8"W x 11-3/4"D x 1-3/4"H	23 Ties	Chrome
	RVTRC-12NS-ORB	Static Tie Rack	1-7/8"W x 11-3/4"D x 1-3/4"H	23 Ties	Oil Rubbed Bronze
	RVTRC-12NS-SN	Static Tie Rack	1-7/8"W x 11-3/4"D x 1-3/4"H	23 Ties	Satin Nickel

A  
B  
C  
D  
E  
F  
G  
H  
I  
J  
K  
L  
M  
N  
O  
P  
Q  
R  
S  
T  
U  
V  
W  
X  
Y

**A SPIRAL CLOTHES RACK & PULL DOWN CLOSET ROD**

B  
C  
D  
E  
F  
G  
H  
I  
J  
K  
L  
M  
N  
O  
P  
Q  
R  
S  
T  
U  
V  
W  
X  
Y



**Spiral Clothes Rack**



- 360-degree turning radius
- Adjustable Height: 72-1/2" to 84"
- Can hang (40) single items of clothing
- Comes complete with a stabilizer bar, post and pivot hardware and mounting hardware

NOTE: The size of your hangers and clothing stored on this unit will dictate the minimum size of the cabinet.

Item #	Description	Size	Capacity	Finish
RVSHR-84	360° Spiral Rack	23"W x 72-1/2" - 84"H	40 single items of clothing	Chrome



**Pull Down Closet Rod, 25 lbs. Load Capacity**



- The telescoping pull rod's length is adjustable from 34" - 50" to accommodate universal design and handicap accessible applications
- Soft-closing mechanism that will slowly draw the bar back to the upright position
- Includes: (1) Pull-Down Closet assembly, rod, mechanism, arms, handle, connectors and hardware

Item #	Dimensions	Description	Finish
RVCPDR-1826	21-1/2" - 26"W x 4"D x 34-3/4" - 49-3/4"H	Pull Down Closet Rod	Chrome/ Black
RVCPDR-2635	26" - 35"W x 4"D x 34-3/4" - 49-3/4"H	Pull Down Closet Rod	Chrome/ Black
RVCPDR-3548	35" - 48"W x 4"D x 34-3/4" - 49-3/4"H	Pull Down Closet Rod	Chrome/ Black
RVCPDR-2635ORB	26" - 35"W x 4"D x 34-3/4" - 49-3/4"H	Pull Down Closet Rod	Oil-Rubbed Bronze/ Black



**Tallman Pull Down Closet Rod**



- The double-type model is designed for installation on side walls of a cabinet or closet, using it in full width
- Adjusting the length of the rod is easily done in just one step
- Load capacity: up to 33 lbs. (evenly distributed)

Item #	Dimensions	Finish
SGTAW1200-GY	31.50"W x 8.27"D x 29.60"H	Gray
SGTAW1200-U	31.50"W x 8.27"D x 29.60"H	Umber

**PULL-OUT CLOSET BASKETS**



**Premium Heavy Duty Pull-Out Wire Baskets**



- Heavy duty slides (100 lb. rated) ball bearing type with bayonet mounting system configured to 32mm system
- Baskets are designed to be easily removable and effortlessly re-installed
- Baskets rest on top of ball bearing slides
- Oil Rubbed Bronze baskets come with black slides for a consistent appearance
- Closet Basket Liners are sold separately on the next page

Size	Chrome Item #	Oil Rubbed Bronze Item #	Satin Nickel Item #
18"W x 12"D x 7"H	RVCB-181207CR	-	-
18"W x 12"D x 11"H	RVCB-181211CR	-	-
18"W x 12"D x 18"H	RVCB-181218CR	-	-
18"W x 14"D x 7"H	RVCB-181407CH	RVCB-181407ORB	RVCB-181407SN
18"W x 14"D x 11"H	RVCB-181411CH	RVCB-181411ORB	RVCB-181411SN
18"W x 14"D x 18"H	RVCB-181418CH	RVCB-181418ORB	RVCB-181418SN
18"W x 16"D x 7"H	RVCB-181607CH	RVCB-181607ORB	RVCB-181607SN
18"W x 16"D x 11"H	RVCB-181611CH	RVCB-181611ORB	RVCB-181611SN
18"W x 16"D x 18"H	RVCB-181618CH	RVCB-181618ORB	RVCB-181618SN
18"W x 20"D x 7"H	RVCB-182007CR	RVCB-182007ORB	RVCB-182007SN
18"W x 20"D x 11"H	RVCB-182011CH	RVCB-182011ORB	RVCB-182011SN
18"W x 20"D x 18"H	RVCB-182018CH	RVCB-182018ORB	RVCB-182018SN
24"W x 12"D x 7"H	RVCB-241207CR	-	-
24"W x 12"D x 11"H	RVCB-241211CR	-	-
24"W x 12"D x 18"H	RVCB-241218CR	-	-
24"W x 14"D x 7"H	RVCB-241407CH	RVCB-241407ORB	RVCB-241407SN
24"W x 14"D x 11"H	RVCB-241411CH	RVCB-241411ORB	RVCB-241411SN
24"W x 14"D x 18"H	RVCB-241418CH	RVCB-241418ORB	RVCB-241418SN
24"W x 16"D x 7"H	RVCB-241607CH	RVCB-241607ORB	RVCB-241607SN
24"W x 16"D x 11"H	RVCB-241611CH	RVCB-241611ORB	RVCB-241611SN
24"W x 16"D x 18"H	RVCB-241618CH	RVCB-241618ORB	RVCB-241618SN
24"W x 20"D x 7"H	RVCB-242007CR	RVCB-242007ORB	RVCB-242007SN
24"W x 20"D x 11"H	RVCB-242011CH	RVCB-242011ORB	RVCB-242011SN
24"W x 20"D x 18"H	RVCB-242018CH	RVCB-242018ORB	RVCB-242018SN
30"W x 12"D x 7"H	RVCB-301207CR	-	-
30"W x 12"D x 11"H	RVCB-301211CR	-	-
30"W x 12"D x 18"H	RVCB-301218CR	-	-
30"W x 14"D x 7"H	RVCB-301407CH	RVCB-301407ORB	RVCB-301407SN
30"W x 14"D x 11"H	RVCB-301411CH	RVCB-301411ORB	RVCB-301411SN
30"W x 14"D x 18"H	RVCB-301418CH	RVCB-301418ORB	RVCB-301418SN
30"W x 16"D x 7"H	RVCB-301607CH	RVCB-301607ORB	RVCB-301607SN
30"W x 16"D x 11"H	RVCB-301611CH	RVCB-301611ORB	RVCB-301611SN
30"W x 16"D x 18"H	RVCB-301618CH	RVCB-301618ORB	RVCB-301618SN

A  
B  
C  
D  
E  
F  
G  
H  
I  
J  
K  
L  
M  
N  
O  
P  
Q  
R  
S  
T  
U  
V  
W  
X  
Y

**A PULL-OUT CLOSET BASKET LINERS**

B  
C  
D  
E  
F  
G  
H  
I  
J  
K  
L  
M  
N  
O  
P  
Q  
R  
S  
T  
U  
V  
W  
X  
Y

**Pull-Out Basket Liners**

- Designed for Rev-A-Shelf's Premium Heavy Duty Pull-Out Wire Baskets (RVCB Series)
- Three types of liners: Black, Tan, and Plastic
- Black and Tan Liners attach securely with hook and loop fasteners
- Black and Tan Liners are machine washable



Black Liner



Tan Liner



Plastic Liner

NOTE: \*Sold in 3/Box

Size	Black Liner Item #	Tan Liner Item #	Plastic Liner Item #
18"W x 12"D x 7"H	RVCBL-181207-B-1	RVCBL-181207-T-1	
18"W x 12"D x 11"H	RVCBL-181211-B-1	RVCBL-181211-T-1	
18"W x 12"D x 18"H	RVCBL-181218-B-1	RVCBL-181218-T-1	
18"W x 14"D x 7"H	RVCBL-181407-B-3	RVCBL-181407-T-3*	RVCBM-181407-P-1
18"W x 14"D x 11"H	RVCBL-181411-B-3	RVCBL-181411-T-3*	RVCBM-181411-P-1
18"W x 14"D x 18"H	RVCBL-181418-B-1	RVCBL-181418-T-3	RVCBM-181418-P-1
18"W x 16"D x 7"H	RVCBL-181607-B-1	RVCBL-181607-T-1	RVCBM-181607-P-1
18"W x 16"D x 11"H	RVCBL-181611-B-1	RVCBL-181611-T-1	RVCBM-181611-P-1
18"W x 16"D x 18"H	RVCBL-181618-B-1	RVCBL-181618-T-3*	RVCBM-181618-P-1
18"W x 20"D x 7"H	RVCBL-182007-B-1	RVCBL-182007-T-1	
18"W x 20"D x 11"H	RVCBL-182011-B-1	RVCBL-182011-T-1	
18"W x 20"D x 18"H	RVCBL-182018-B-1	RVCBL-182018-T-1	
24"W x 12"D x 7"H	RVCBL-241207-B-1	RVCBL-241207-T-1	
24"W x 12"D x 11"H	RVCBL-241211-B-1	RVCBL-241211-T-1	
24"W x 12"D x 18"H	RVCBL-241218-B-1	RVCBL-241218-T-1	
24"W x 14"D x 7"H	RVCBL-241407-B-3	RVCBL-241407-T-3*	RVCBM-241407-P-1
24"W x 14"D x 11"H	RVCBL-241411-B-3	RVCBL-241411-T-3	RVCBM-241411-P-1
24"W x 14"D x 18"H	RVCBL-241418-B-1	RVCBL-241418-T-3	RVCBM-241418-P-1
24"W x 16"D x 7"H	RVCBL-241607-B-1	RVCBL-241607-T-1	RVCBM-241607-P-1
24"W x 16"D x 11"H	RVCBL-241611-B-1	RVCBL-241611-T-1	RVCBM-241611-P-1
24"W x 16"D x 18"H	RVCBL-241618-B-1	RVCBL-241618-T-1	RVCBM-241618-P-1
24"W x 20"D x 7"H	RVCBL-242007-B-1	RVCBL-242007-T-1	
24"W x 20"D x 11"H	RVCBL-242011-B-1	RVCBL-242011-T-1	
24"W x 20"D x 18"H	RVCBL-242018-B-1	RVCBL-242018-T-1	
30"W x 12"D x 7"H	RVCBL-301207-B-1	RVCBL-301207-T-1	
30"W x 12"D x 11"H	RVCBL-301211-B-1	RVCBL-301211-T-1	
30"W x 12"D x 18"H	RVCBL-301218-B-1	RVCBL-301218-T-1	
30"W x 14"D x 7"H	RVCBL-301407-B-1	RVCBL-301407-T-1	RVCBM-301407-P-1
30"W x 14"D x 11"H	RVCBL-301411-B-1	RVCBL-301411-T-1	RVCBM-301411-P-1
30"W x 14"D x 18"H	RVCBL-301418-B-1	RVCBL-301418-T-1	RVCBM-301418-P-1
30"W x 16"D x 7"H	RVCBL-301607-B-1	RVCBL-301607-T-1	RVCBM-301607-P-1
30"W x 16"D x 11"H	RVCBL-301611-B-1	RVCBL-301611-T-1	RVCBM-301611-P-1
30"W x 16"D x 18"H	RVCBL-301618-B-1	RVCBL-301618-T-1	RVCBM-301618-P-1

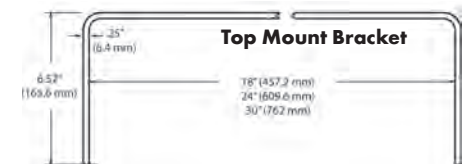
**BASKET ACCESSORIES**

**Wire Basket Bracket For Rev-A-Shelf Baskets**



- Top mount bracket allows you to utilize the Rev-A-Shelf wire baskets in non-standard openings of 18", 24", or 30" W
  - Bracket mounts to the underside of cabinet shelf, minimum cabinet opening of 1/2" greater than basket size is required for use
  - Bracket is available in Chrome finish only
- Packing & Sold In: Sets of two brackets only.

Item #	Description
RVCTMB-18	For 18" wide baskets
RVCTMB-24	For 24" wide baskets



**Cloth Liner For Rev-A-Shelf Wire Baskets**



- Black liner made of durable, machine washable canvas
- Liners feature velcro tie handles
- Provides a comfortable and secure gripping surface
- Liners available for 24" and 30" wide baskets only

NOTE: \*Sold In 3/Box

Item #	Basket Dimensions	Coordinating RVCB Series Basket
RVCHBI-241418-3	24"W x 14"D x 18"H	RVCB-241418CR & RVCB-241418SN
RVCHBI-241618-3	24"W x 16"D x 18"H	RVCB-241618CR & RVCB-241618SN
RVCHBI-242018-3	24"W x 20"D x 18"H	RVCB-242018CR & RVCB-242018SN
RVCHBI-301418-3*	30"W x 14"D x 18"H	RVCB-301418CR & RVCB-301418SN
RVCHBI-301618-3	30"W x 16"D x 18"H	RVCB-301618CR & RVCB-301618SN

A  
B  
C  
D  
E  
F  
G  
H  
I  
J  
K  
L  
M  
N  
O  
P  
Q  
R  
S  
T  
U  
V  
W  
X  
Y

**A TILT-OUT HAMPERS**

B  
C  
D  
E  
F  
G  
H  
I  
J  
K  
L  
M  
N  
O  
P  
Q  
R  
S  
T  
U  
V  
W  
X  
Y



**Tilt-Out Wire Hamper Basket**



- Basket door mounts to a bottom hinged cabinet for easy one step "Slide-In/Slide-Out" basket removal (hinges not included)
- Wire hamper baskets are 19-1/2" H x 13-1/4" D
- Each hamper is constructed with heavy duty 6mm wire
- Provides the ability to conceal and access laundry in one motion
- Includes: Wire tilt-out hamper, hamper attachment brackets and instructions

Item #	Dimensions	Load Capacity	Finish
RVCTOHB-161319CH	15-1/2"W x 13-1/2"D x 19-3/4"H	55 Quarts	Chrome
RVCTOHB-161319-ORB	15-1/2"W x 13-1/2"D x 19-3/4"H	55 Quarts	Oil Rubbed Bronze
RVCTOHB-161319SN	15-1/2"W x 13-1/2"D x 19-3/4"H	55 Quarts	Satin Nickel
RVCTOHB-211319CH	20-1/2"W x 13-1/2"D x 19-3/4"H	74 Quarts	Chrome
RVCTOHB-211319-ORB	20-1/2"W x 13-1/2"D x 19-3/4"H	74 Quarts	Oil Rubbed Bronze
RVCTOHB-211319SN	20-1/2"W x 13-1/2"D x 19-3/4"H	74 Quarts	Satin Nickel



**Removable Hamper Basket Bags, 15-1/2" & 20-1/2" Wide**



- Designed for RVCTOHB Series Tilt-Out Hampers
- Made of machine washable canvas
- Designed to fit tight and securely with hook and loop fasteners
- Strong handles for easy transport and removal
- 1.7 Bushels (55 qt.) for the 15-1/2"W unit (#RVCTOHB-161319 Series)
- 2.3 Bushels (74 qt.) for the 20-1/2"W unit (#RVCTOHB-211319 Series)

Item #	For Basket Size	For Item # Series	Color
RVCTOHB-16	15-1/2"W	RVCTOHB-161319	Black
RVCTOHT-16	15-1/2"W	RVCTOHB-161319	Tan
RVCTOHB-21	20-1/2"W	RVCTOHB-211319	Black
RVCTOHT-21	20-1/2"W	RVCTOHB-211319	Tan

**PULL-OUT HAMPER BASKETS**

A  
B  
C  
D  
E  
F  
G  
H  
I  
J  
K  
L  
M  
N  
O  
P  
Q  
R  
S  
T  
U  
V  
W  
X  
Y



**Premium Hamper Basket Pull-Out w/Soft-Close**



- Rev-A-Shelf CH Series
- Features bottom mount full-extension slides with Rev-A-Motion Soft-Open/Soft Close System
- Plastic carriage is available in silver or white
- Includes: (2) wire hamper baskets, (2) ivory canvas bags, door mount brackets, and installation screws
- Designed for a 24" wide opening
- Replacement canvas bag is sold separately, see below

Item #	Dimensions	Load Capacity	Finish/Color
RVCH-241419-RM-211	24"W x 13-15/16"D x 18-7/8"H	80 Quarts	White/Ivory
RVCH-241419-RM-217	24"W x 13-15/16"D x 18-7/8"H	80 Quarts	Silver/Ivory
RV5CHB-LINER	Canvas Hamper Bag, Ivory		



**Chrome Wire Hamper Basket Pull-Out w/Cloth Bag**



- Rev-A-Shelf HRV Series
- Features full-extension slides
- Includes: (1) chrome wire basket, (1) cloth bag, and installation screws
- Replacement cloth bag and door mount kit are sold separately, see below

Item #	Dimensions	Finish
RVHRV-1520S-CR	14-3/4"W x 18"D x 19-3/8"H	Chrome
Accessories		
RVHRV-1520-LINER	Replacement Ivory Cloth Bag	
RVDM17-KIT	Silver Door Mount Kit For HRV Series Hampers	



**White Wire Hamper Basket Pull-Out**



- Rev-A-Shelf HRV Series
- Features full-extension slides
- Includes: (1) white wire basket and installation screws
- Optional cloth bag (only for #RVHRV-1520SWH) and door mount kit are sold separately, see below

Item #	Dimensions	Finish
RVHRV-1215SWH	11-7/8"W x 18"D x 14-3/4"H	White
RVHRV-1220SWH	11-7/8"W x 18"D x 19-3/8"H	White
RVHRV-1515SWH	14-3/4"W x 18"D x 14-3/4"H	White
RVHRV-1520SWH	14-3/4"W x 18"D x 19-3/8"H	White
Accessories		
RVHRV-1520-LINER	Optional Ivory Cloth Bag (only fits #RSHRV1520S)	
RVDMKITWH	White Door Mount Kit For HRV Series Hampers	

**A PULL-OUT HAMPER BASKETS**

B  
C  
D  
E  
F  
G  
H  
I  
J  
K  
L  
M  
N  
O  
P  
Q  
R  
S  
T  
U  
V  
W  
X  
Y



**Pull-Out Plastic Hamper Basket**



- Hamper pulls out smoothly on White epoxy coated, full extension, ball bearing slides
- Installs with 4 screws to the base of the cabinet (included)
- Basket is White

Item #	Dimensions	Load Capacity
RVHPRV-1520SWH	14-1/4"W x 20"D x 19-3/8"H	56 Qts.
RVDMKITWH	Door Mount Kit	



**Pull-Out Plastic Tall Hamper With Lid, White**



- Features (1) tall hamper basket with 108 qt capacity and removable lid
- Full extension heavy duty ball bearing slides with 14" depth
- Easy installation with (4) screws attached to the base of the cabinet (included)
- Hamper is available with or without a door mount kit

Item #	Dimensions	Load Capacity
<b>Door Mount Hamper with Lid</b>		
RVHPRV-1925DMS	19-7/8"W x 14"D x 24 "H	64 Quarts
<b>Pull-Out Hamper with Lid</b>		
RVHPRV-1925S	19-7/8"W x 14"D x 24 "H	64 Quarts



**Pull-Out Hamper, Plastic Low Profile**



- Rolls out easily on full extension, ball bearing slides
- Frost, plastic basket has built in handles and lifts out of wire frame
- Includes: (1) polymer hamper/utility basket with frame, full extension slides and (4) screws
- Installs with 4 screws to the base of the cabinet
- Can be door mounted via optional door mount kit below

Item #	Dimensions	Load Capacity
RVHURV-1512SWH	14-3/8"W x 18-1/8"D x 11-7/8"H	32 Quarts
RVDMKITWH	Door Mount Kit	

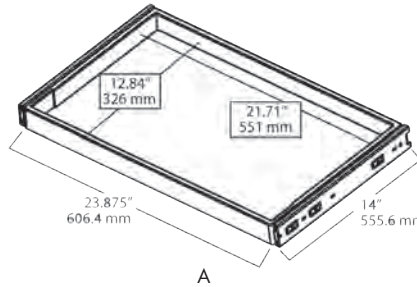


## JEWELRY ORGANIZERS

### Jewelry Drawer Organizer

- One piece pre-assembled drawer box with full extension slides for 14" deep closets
- Two drawer box insert designs give the ability to store larger items like necklaces without tangling and the curved inside radius allows for full accessibility to small items such as earring backs
- Features full-extension ball bearing slides, and drawer front mounting capability using drawer mount brackets (described below)

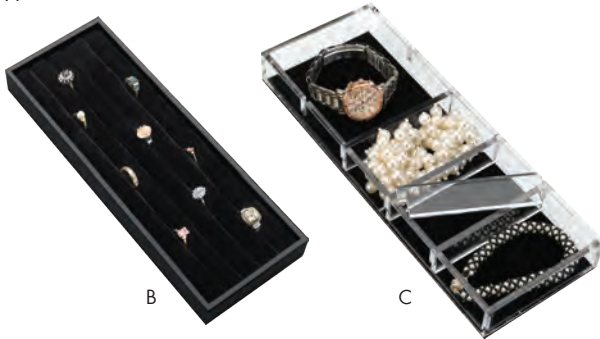
NOTE: \*Sold In 5/Box



Item #	Description	Dimensions	Finish	
A	RVCJD-2414	Drawer Box w/Slides	24"W x 14"D x 1-7/8"H	Black
B	RVCJD-24IN	Jewelry Insert	22"W x 13"D x 1-1/2"H	Velvet
C	RVCJD-24IS	Necklace Insert	22"W x 13"D x 1-1/2"H	Velvet
<b>Brackets</b>				
RVCJD-DMBKIT*	Drawer Front Mount Brackets			

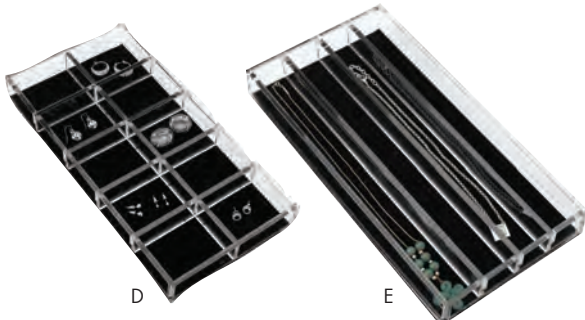


A



B

C



D

E

### Undermount Jewelry Drawer

- Soft-close undermount slides
- Wood construction
- Velvet bottom
- Easy installation, drawer front mountable
- Drawer accessories sold separately, see below

Item #	Dimensions	Description
<b>Soft-Close Jewelry Drawers</b>		
A	RVCVJD-1814UM	18"W x 14"D
	RVCVJD-2414UM	24"W x 14"D
	RVCVJD-3014UM	30"W x 14"D
<b>Undermount Jewelry Drawer Accessories</b>		
B	RVCV-RING	11-5/8"W x 4-1/4"D x 1-1/4"H
C	RVCA-SMORG	11-5/8"W x 4-1/4"D x 1-1/4"H
D	RVCA-LGORG	11-5/8"W x 6"D x 1-1/4"H
E	RVCA-NECKLACE	11-5/8"W x 6"D x 1-1/4"H

**A SHELF DIVIDERS & WIRE SHOE RAIL**

B  
C  
D  
E  
F  
G  
H  
I  
J  
K  
L  
M  
N  
O  
P  
Q  
R  
S  
T  
U  
V  
W  
X  
Y



**Acrylic Shelf Organizer, Shelf Dividers**



- Designed for 14" depth closet panels as the organizers are 13-1/2" deep
- Two heights of organizers available; 6-9/16" and 14-1/8" organizers are 1/4" thick
- Organizers are provided with clear acrylic clips, clips are fastened to shelving via 5mm pins

Item #	Dimensions	Sold In
RVCSPD-6	13-1/2"D x 6-9/16"H x 1/4" Thick	10 dividers/40 clips
RVCSPD-14	13-1/2"D x 14-1/8"H x 1/4" Thick	10 dividers/40 clips



Clips are inserted into notches cut into the acrylic to hold dividers secure while inserting or removing shoes, boots or purses



**Wire Shoe Rail**



- Shoe rail is easy to install and features heavy gauge chrome railing
- Designed to fit 5mm bore mounting holes on 32mm spacing

Dimensions	Chrome Item #	Sold In	Oil Rubbed Bronze Item #	Sold In	Satin Nickel Item #	Sold In
17"L x 2.25"H	RVCSR-17CH	Per Each	RVCSR-17ORB	Per Each	RVCSR-17SN	Per Each
23"L x 2.25"H	RVCSR-23CH	Per Each	RVCSR-23ORB	Per Each	RVCSR-23SN	Per Each
29"L x 2.25"H	RVCSR-29CH	Per Each	RVCSR-29ORB	Per Each	RVCSR-29SN	Per Each
35"L x 2.25"H	RVCSR-35CH	Per Each	RVCSR-35ORB	10/Box	RVCSR-35SN	Per Each

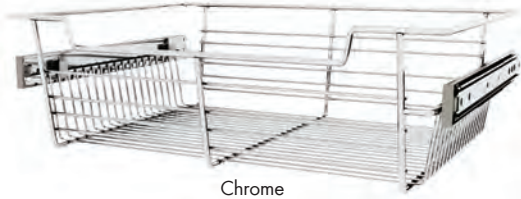
**SIDELINES CLOSET ACCESSORIES**



Bronze

**Pull-Out Wire Baskets**

- Designed for 14" depth closet cabinets
- Available in (3) heights 5", 10" or 17" and (3) widths 18", 24" or 30"
- Installs easily in 32 mm applications
- Easy to remove baskets rest securely on hooks
- Full-extension, ball-bearing slides (included)
- Available in chrome, bronze and satin nickel
- Basket canvas and plastic liners (sold separately)



Chrome



Satin Nickel

Item #	Description	Size
RVCBSL-181405BZ	Pull-Out Wire Basket, Bronze	18"W x 14"D x 5"H
RVCBSL-181405CR	Pull-Out Wire Basket, Chrome	18"W x 14"D x 5"H
RVCBSL-181405SN	Pull-Out Wire Basket, Satin Nickel	18"W x 14"D x 5"H
RVCBSL-181410BZ	Pull-Out Wire Basket, Bronze	18"W x 14"D x 10"H
RVCBSL-181410CR	Pull-Out Wire Basket, Chrome	18"W x 14"D x 10"H
RVCBSL-181410SN	Pull-Out Wire Basket, Satin Nickel	18"W x 14"D x 10"H
RVCBSL-181417BZ	Pull-Out Wire Basket, Bronze	18"W x 14"D x 17"H
RVCBSL-181417CR	Pull-Out Wire Basket, Chrome	18"W x 14"D x 17"H
RVCBSL-181417SN	Pull-Out Wire Basket, Satin Nickel	18"W x 14"D x 17"H
RVCBSL-241405BZ	Pull-Out Wire Basket, Bronze	24"W x 14"D x 5"H
RVCBSL-241405CR	Pull-Out Wire Basket, Chrome	24"W x 14"D x 5"H
RVCBSL-241405SN	Pull-Out Wire Basket, Satin Nickel	24"W x 14"D x 5"H
RVCBSL-241410BZ	Pull-Out Wire Basket, Bronze	24"W x 14"D x 10"H
RVCBSL-241410CR	Pull-Out Wire Basket, Chrome	24"W x 14"D x 10"H
RVCBSL-241410SN	Pull-Out Wire Basket, Satin Nickel	24"W x 14"D x 10"H
RVCBSL-241417BZ	Pull-Out Wire Basket, Bronze	24"W x 14"D x 17"H
RVCBSL-241417CR	Pull-Out Wire Basket, Chrome	24"W x 14"D x 17"H
RVCBSL-241417SN	Pull-Out Wire Basket, Satin Nickel	24"W x 14"D x 17"H
RVCBSL-301405BZ	Pull-Out Wire Basket, Bronze	30"W x 14"D x 5"H
RVCBSL-301405CR	Pull-Out Wire Basket, Chrome	30"W x 14"D x 5"H
RVCBSL-301405SN	Pull-Out Wire Basket, Satin Nickel	30"W x 14"D x 5"H
RVCBSL-301410BZ	Pull-Out Wire Basket, Bronze	30"W x 14"D x 10"H
RVCBSL-301410CR	Pull-Out Wire Basket, Chrome	30"W x 14"D x 10"H
RVCBSL-301410SN	Pull-Out Wire Basket, Satin Nickel	30"W x 14"D x 10"H
RVCBSL-301417BZ	Pull-Out Wire Basket, Bronze	30"W x 14"D x 17"H
RVCBSL-301417CR	Pull-Out Wire Basket, Chrome	30"W x 14"D x 17"H
RVCBSL-301417SN	Pull-Out Wire Basket, Satin Nickel	30"W x 14"D x 17"H

A  
B  
C  
D  
E  
F  
G  
H  
I  
J  
K  
L  
M  
N  
O  
P  
Q  
R  
S  
T  
U  
V  
W  
X  
Y

**A SIDELINES CLOSET ACCESSORIES**



Mirror Pull-Out

3-Way Mirror Pull-Out

**Closet Mirrors**

- 3-Way foldable mirror has (3) panels that open up to 26"W and is 48"H
- Pulls out smoothly and swivels 90°
- Allow 5.75" for swiveling clearance
- Soft-close retracting mechanism, requires only a gentle push
- Fits any partition at least 14"D and 8"W
- Can be installed behind cabinet doors
- Universal, non-handed



Item #	Dimensions	Description	Finish
RVCMSL-1448-SM	2"W x 13-3/4"D x 47-1/4"H	48" Closet Mirror w/Over-Travel & Soft-Close	Silver Mist
RVCMSL-1424-SM	2"W x 13-3/4"D x 23-5/8"H	24" Closet Mirror w/Over-Travel & Soft-Close	Silver Mist
RVCMSL-1448-BZ	2"W x 13-3/4"D x 47-1/4"H	48" Closet Mirror w/Over-Travel & Soft-Close	Bronze
RVCMTWSL-1448-SM	3-3/16"W x 13-7/8"D x 47-1/4"H	48" 3-Way Closet Mirror w/Over-Travel & Soft-Close	Silver Mist



A. Tilt-Out Chrome Wire Hamper

**Tilt-Out Chrome Wire Hamper Basket & Black Cloth Hamper**

- Available in black 18", 24" and 30" cloth hamper or chrome 18" and 24"
- Unique, slanted rim design for clearance with tilt-down hamper cabinet doors
- Heavy gauge 2.8 mm and 5.8 mm steel wire construction
- Flap stay and door mounting bracket hardware included
- Door hinges (sold separately)



B. Tilt-Out Black Cloth Hamper

	Item #	Description	Size
A	RVCTOHBSL161419CR1	Tilt-Out Hamper Basket, Chrome	16"W x 14"D
	RVCTOHBSL211419CR1	Tilt-Out Hamper Basket, Chrome	21"W x 14"D
	RVCTOHL16	Tan Cloth Basket Liner for RVCTOHBSL161419CR1 Tilt-Out Hamper	16"W x 14"D
	RVCTOHL21	Tan Cloth Basket Liner for RVCTOHBSL211419CR1 Tilt Out Hamper	21"W x 14"D
B	RVCTOHS18	Black Cloth Closet Tilt Out Hamper	18"W x 14"D
	RVCTOHS24	Black Cloth Closet Tilt Out Hamper	24"W x 14"D
	RVCTOHS30	Black Cloth Closet Tilt Out Hamper	30"W x 14"D

Tilt-Out Hampers Include:  
Flap Stay and Door Mount Bracket (Hinges not included)

**SIDELINES CLOSET ACCESSORIES**

A  
B  
C  
D  
E  
F  
G  
H  
I  
J  
K  
L  
M  
N  
O  
P  
Q  
R  
S  
T  
U  
V  
W  
X  
Y



**Black Hamper Pull-Out**

- (3) models to fit 18", 24" and 30" section widths, all 14"+ deep
- Available in Black
- Full-extension, 75 lb. rated, ball-bearing steel slides
- 1.7 BU removable canvas bag w/ handles
- 18" and 24" = (1) canvas bag
- 30" = (2) canvas bags
- Mounts to cabinet sides
- Installs easily in 32 mm applications



Item #	Dimensions	Description	Minimum Cab. Opening
RVCSOHS-18-1	18"W x 14"D x 20-7/8"H	1.7 BU Hamper	18"
RVCSOHS-24-1	24"W x 14"D x 20-7/8"H	1.7 BU Hamper	24"
RVCSOHS-30-1	30"W x 14"D x 20-7/8"H	(2) 1.7 BU Hampers	30"



**Iron Holder**

- Easy installation
- Heavy-duty wire construction
- Cord management
- Mounts to cabinet or wall



Item #	Dimensions	Description
RVIRH-SM-1	5-23/32"W x 5-1/8"D x 10-1/4"H	Iron Holder, Silver Mist Finish



**Premier Satin Chrome Pull Down Closet Rod**

- Cut-to-size fits cabinet openings from 18" to 48"
- Hanging area of 16.9" to 46.9"
- Satin chrome
- Swivel handle
- Soft-open/soft-close assist
- 33 lb. capacity
- Mounts to cabinet sides
- Sidelines by Rev-A-Shelf® exclusive design



Item #	Dimensions	Description	Finish
RVCPDRSL-48SC	18" - 48"W x 12-13/32"D x 35-7/16"H	Premier Pull Down Closet Rod	Satin Chrome

**A SIDELINES CLOSET ACCESSORIES**



**Elite Rotating Ironing Board**

- Board: 38" L x 13" W
- Mounts on shelf
- Rotates 360 degrees when out of cabinet
- Locks into place
- Soft-Close Over-Travel Slides
- 18-1/2" W when stored
- Fits any partition at least 14" deep
- Spacer kit for drawer mounting included
- Replacement cover (sold separately)



Pull-Out



Swivel



Open



Swivel 360°



Perfect for installation behind a drawer front using the included spacers

Item #	Dimensions	Description	Finish
RVCROIBSL-14-SM	18-11/16"W x 14"D x 4-17/32"H	Elite Rotating Ironing Board w/Over-Travel	Silver Mist
RVCROIBSL-COVER	12-3/16"W x 37-13/16"D x 7/8"H	Cover for Elite Rotating Ironing Board	Tan

**SIDELINES CLOSET ACCESSORIES**

A  
B  
C  
D  
E  
F  
G  
H  
I  
J  
K  
L  
M  
N  
O  
P  
Q  
R  
S  
T  
U  
V  
W  
X  
Y

**Premier Pop-Up Ironing board**

- Fits any partition at least 14"D and 8"W
- 6"W when stored, including hardware
- Reversible mounting
- Over-travel Slides
- Soft-Open Assist
- Metal Legs lock for stability
- Adjustable feet
- Board: 43"L x 13"W
- US Patent No. 7,310,889 B1
- Replacement cover (sold separately)



Pull-Out



Pull-Up

Item #	Dimensions	Description	Finish
RVCPUIBSL-14-SM	6-5/16"W x 13-15/32"D x 43-5/16"H	Premier Pop-Up Ironing Board	Silver Mist
RVCPUIBSL-COVER-52	13-13/32"W x 43-11/16"D x 7/8"H	Cover for Premier Pop-Up Ironing Board	Tan

**A SIDELINES CLOSET ACCESSORIES**



**Deluxe Swivel Ironing Board**

- Board: 38"L x 13"W
- 5" wide when stored, including hardware
- Fits any partition at least 14"D and 8"W
- Overall height when stored: 72"
- Adjustable feet for stability
- Replacement cover (sold separately)



Pull-Out



Swivel



Pull-Down

Item #	Dimensions	Description	Finish
RVCSWIBSL14-SM	5-1/4"W x 13"D x 53-5/32"H	Deluxe Swivel Ironing Board	Silver Mist
RVCSWIBSL-COVER	13-13/32"W x 37-13/32"D x 7/8"H	Cover for Deluxe Swivel Ironing Board	Tan



**SIDELINES CLOSET ACCESSORIES**



**Pop-Out Belt Rack**

- One-touch pop-out mechanism
- Fits panel depths of 14" or greater
- Cast aluminum slide housing
- Reversible (Left or Right mount)



Item #	Description	Dimensions	Finish	Capacity
RVBRCPSSL-14-BZ	Deluxe Pop-Out Belt Rack	14" Depth	Bronze	7 Belts
RVBRCPSSL-14-CR	Deluxe Pop-Out Belt Rack	14" Depth	Chrome	7 Belts
RVBRCPSSL-14-SN	Deluxe Pop-Out Belt Rack	14" Depth	Satin Nickel	7 Belts



**Wall Mount Belt Rack**

- Fits panel depths of 14" or greater
- Reversible (Left or Right mount)
- Easy installation with (2) screws



Item #	Description	Dimensions	Finish	Capacity
RVBRCSL-14NS-CR	Wall Mount Belt Rack	14" Depth	Chrome	7 Belts



**Pull-Out Belt Rack**

- Full-extension, ball-bearing, steel slide with steel rack housing
- Fits panel depths of 14" or greater
- 10 mm diameter rod extends 8"
- Reversible (Left or Right mount)



Item #	Description	Dimensions	Finish	Capacity
RVCBRSL-14-BZ	Deluxe Pull-Out Belt Rack	14" Depth	Bronze	7 Belts
RVCBRSL-14-CR	Deluxe Pull-Out Belt Rack	14" Depth	Chrome	7 Belts
RVCBRSL-14-SC	Deluxe Pull-Out Belt Rack	14" Depth	Satin Chrome	7 Belts
RVCBRSL-14-SN	Deluxe Pull-Out Belt Rack	14" Depth	Satin Nickel	7 Belts



**Swivel-Out Belt Rack**

- Over-extension, ball-bearing, steel slide with pivoting roller hinge
- Fits panel depths of 14" or greater
- Locks in place after pivoting
- Cast aluminum slide housing
- Reversible (Left or Right mount)

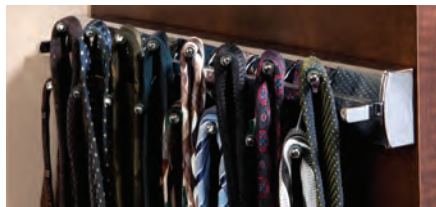


Item #	Description	Dimensions	Finish	Capacity
RVCSWBRSL-14-BZ	Premier Swivel Belt Rack	14" Depth	Bronze	7 Belts
RVCSWBRSL-14-CR	Premier Swivel Belt Rack	14" Depth	Chrome	7 Belts
RVCSWBRSL-14-SC	Premier Swivel Belt Rack	14" Depth	Satin Chrome	7 Belts
RVCSWBRSL-14-SN	Premier Swivel Belt Rack	14" Depth	Satin Nickel	7 Belts

A  
B  
C  
D  
E  
F  
G  
H  
I  
J  
K  
L  
M  
N  
O  
P  
Q  
R  
S  
T  
U  
V  
W  
X  
Y

**A SIDELINES CLOSET ACCESSORIES**

B  
C  
D  
E  
F  
G  
H  
I  
J  
K  
L  
M  
N  
O  
P  
Q  
R  
S  
T  
U  
V  
W  
X  
Y



**Pop-Out Tie Rack**

- One-touch pop-out mechanism
- Fits panel depths of 14" or greater
- Cast aluminum slide housing
- Non-slip soft PVC coated pegs
- Reversible (Left or Right mount)



Item #	Description	Dimensions	Finish	Capacity
RVTRCPOS1-14-BZ	Deluxe Pop-Out Tie Rack	14" Depth	Bronze	16 Ties
RVTRCPOS1-14-CR	Deluxe Pop-Out Tie Rack	14" Depth	Chrome	16 Ties
RVTRCPOS1-14-SN	Deluxe Pop-Out Tie Rack	14" Depth	Satin Nickel	16 Ties



**Wall Mount Tie Rack**

- Fits panel depths of 14" or greater
- Reversible (Left or Right mount)
- Easy installation with (2) screws



Item #	Description	Dimensions	Finish	Capacity
RVTRCSL-14NS-CR	Wall Mount Tie Rack	14" Depth	Chrome	16 Ties

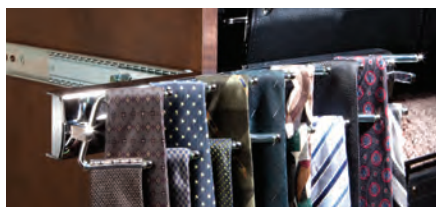


**Pull-Out Tie Rack**

- Full-extension, ball-bearing, steel slide with steel rack housing
- Fits panel depths of 14" or greater
- 10 mm diameter rod extends 8"
- Reversible (Left or Right mount)



Item #	Description	Dimensions	Finish	Capacity
RVCTRSL-14-BZ	Deluxe Pull-Out Tie Rack	14" Depth	Bronze	16 Ties
RVCTRSL-14-CR	Deluxe Pull-Out Tie Rack	14" Depth	Chrome	16 Ties
RVCTRSL-14-SC	Deluxe Pull-Out Tie Rack	14" Depth	Satin Chrome	16 Ties
RVCTRSL-14-SN	Deluxe Pull-Out Tie Rack	14" Depth	Satin Nickel	16 Ties



**Swivel-Out Tie Rack**

- Over-extension, ball-bearing, steel slide with pivoting roller hinge
- Fits panel depths of 14" or greater
- Locks in place after pivoting
- Cast aluminum slide housing
- Reversible (Left or Right mount)



Item #	Description	Dimensions	Finish	Capacity
RVCSWTRSL-14-BZ	Premier Swivel Tie Rack	14" Depth	Bronze	16 Ties
RVCSWTRSL-14-CR	Premier Swivel Tie Rack	14" Depth	Chrome	16 Ties
RVCSWTRSL-14-SC	Premier Swivel Tie Rack	14" Depth	Satin Chrome	16 Ties
RVCSWTRSL-14-SN	Premier Swivel Tie Rack	14" Depth	Satin Nickel	16 Ties

**SIDELINES CLOSET ACCESSORIES**



**Pop-Out Valet Rods**

- One-touch pop-out mechanism
- Fits panel depths of 14" or greater
- Cast aluminum slide housing
- 10 mm diameter rod extends 7.5"
- Reversible (Left or Right mount)



Item #	Description	Dimensions	Finish	Capacity
RVCVLPOS-12-CR	Deluxe Pop-Out Valet Rod	12" Depth	Chrome	35 Lbs.
RVCVLPOS-14-BZ	Deluxe Pop-Out Valet Rod	14" Depth	Bronze	35 Lbs.
RVCVLPOS-14-CR	Deluxe Pop-Out Valet Rod	14" Depth	Chrome	35 Lbs.
RVCVLPOS-14-SC	Deluxe Pop-Out Valet Rod	14" Depth	Satin Chrome	35 Lbs.
RVCVLPOS-14-SN	Deluxe Pop-Out Valet Rod	14" Depth	Satin Nickel	35 Lbs.



**Pull-Out Valet Rods**

- Full-extension, ball-bearing, steel slide with steel rack housing
- Fits panel depths of 14" or greater
- 10 mm diameter rod extends 8"
- Reversible (Left or Right mount)



Item #	Description	Dimensions	Finish	Capacity
RVCVRSL-14-BZ	Deluxe Pull-Out Valet Rod	14" Depth	Bronze	45 Lbs.
RVCVRSL-14-CR	Deluxe Pull-Out Valet Rod	14" Depth	Chrome	45 Lbs.
RVCVRSL-14-SC	Deluxe Pull-Out Valet Rod	14" Depth	Satin Chrome	45 Lbs.
RVCVRSL-14-SN	Deluxe Pull-Out Valet Rod	14" Depth	Satin Nickel	45 Lbs.



**Telescopic Valet Rods**

- Cast aluminum rack housing
- Fits panel depths of 14" or greater
- 10 mm diameter rod extends 9.5"



Item #	Description	Dimensions	Finish	Capacity
RVCVLSL-14-BZ	Telescopic Valet Rod	14" Depth	Bronze	35 Lbs.
RVCVLSL-14-CR	Telescopic Valet Rod	14" Depth	Chrome	35 Lbs.
RVCVLSL-14-SC	Telescopic Valet Rod	14" Depth	Satin Chrome	35 Lbs.
RVCVLSL-14-SN	Telescopic Valet Rod	14" Depth	Satin Nickel	35 Lbs.

**A SIDELINES CLOSET ACCESSORIES**

B  
C  
D  
E  
F  
G  
H  
I  
J  
K  
L  
M  
N  
O  
P  
Q  
R  
S  
T  
U  
V  
W  
X  
Y



**Adjustable Laundry Valet Rod**

- Steel construction
- Mounting-screws provided
- Extends out to 11"



Item #	Description	Finish	Capacity
RVCLVSL-BZ	Adjustable Laundry Valet Rod	Bronze	35 Lbs.
RVCLVSL-CR	Adjustable Laundry Valet Rod	Chrome	35 Lbs.
RVCLVSL-SN	Adjustable Laundry Valet Rod	Satin Nickel	35 Lbs.



**Slide Scarf Rack**

- Fits 14" deep or greater cabinetry
- Full-extension, ball-bearing slide
- Steel construction
- Universal left or right mount (screws provided)



Item #	Description	Finish	Capacity
RVCSFRSL-14-CR	Deluxe Slide Scarf Rack	Chrome	7 Loops



**Pull-Out Pants Racks w/Soft Close**

- Full-extension, soft-closing, ball-bearing steel slides
- Steel construction, cast aluminum slide housing
- Installs with (4) screws, a fully-assembled unit



Item #	Description	Size	Capacity
RVPSCSL1814SC-BZ	Pull-Out Pants Rack w/Soft-Close, Bronze	18"W x 14"D	8 Rods
RVPSCSL1814SC-SC	Pull-Out Pants Rack w/Soft-Close, Satin Chrome	18"W x 14"D	8 Rods
RVPSCSL1814SC-SN	Pull-Out Pants Rack w/Soft-Close, Satin Nickel	18"W x 14"D	8 Rods
RVPSCSL2414SC-BZ	Pull-Out Pants Rack w/Soft-Close, Bronze	24"W x 14"D	12 Rods
RVPSCSL2414SC-SC	Pull-Out Pants Rack w/Soft-Close, Satin Chrome	24"W x 14"D	12 Rods
RVPSCSL2414SC-SN	Pull-Out Pants Rack w/Soft-Close, Satin Nickel	24"W x 14"D	12 Rods
RVPSCSL3014SC-BZ	Pull-Out Pants Rack w/Soft-Close, Bronze	30"W x 14"D	15 Rods
RVPSCSL3014SC-SC	Pull-Out Pants Rack w/Soft-Close, Satin Chrome	30"W x 14"D	15 Rods
RVPSCSL3014SC-SN	Pull-Out Pants Rack w/Soft-Close, Satin Nickel	30"W x 14"D	15 Rods

**SIDELINES CLOSET ACCESSORIES**



Bronze



Chrome



Stain Nickel



Satin Chrome

**Wire Shoe Rails**

- Available lengths: 18", 24", 30" & 36"
- Configured for shelf slide application
- Available in bronze, chrome, satin chrome or satin nickel
- Installs easily in 32 mm applications



Item #	Description	Dimensions	Finish
RVCSRSL-18BZ	Wire Shoe Rail	18"L x 2"H	Bronze
RVCSRSL-18CR	Wire Shoe Rail	18"L x 2"H	Chrome
RVCSRSL-18SC	Wire Shoe Rail	18"L x 2"H	Satin Chrome
RVCSRSL-18SN	Wire Shoe Rail	18"L x 2"H	Satin Nickel
RVCSRSL-24BZ	Wire Shoe Rail	24"L x 2"H	Bronze
RVCSRSL-24CR	Wire Shoe Rail	24"L x 2"H	Chrome
RVCSRSL-24SC	Wire Shoe Rail	24"L x 2"H	Satin Chrome
RVCSRSL-24SN	Wire Shoe Rail	24"L x 2"H	Satin Nickel
RVCSRSL-30BZ	Wire Shoe Rail	30"L x 2"H	Bronze
RVCSRSL-30CR	Wire Shoe Rail	30"L x 2"H	Chrome
RVCSRSL-30SC	Wire Shoe Rail	30"L x 2"H	Satin Chrome
RVCSRSL-30SN	Wire Shoe Rail	30"L x 2"H	Satin Nickel
RVCSRSL-36BZ	Wire Shoe Rail	36"L x 2"H	Bronze
RVCSRSL-36CR	Wire Shoe Rail	36"L x 2"H	Chrome
RVCSRSL-36SC	Wire Shoe Rail	36"L x 2"H	Satin Chrome
RVCSRSL-36SN	Wire Shoe Rail	36"L x 2"H	Satin Nickel



A  
B  
C  
D  
E  
F  
G  
H  
I  
J  
K  
L  
M  
N  
O  
P  
Q  
R  
S  
T  
U  
V  
W  
X  
Y

**A SIDELINES CLOSET ACCESSORIES**

**Closet Rods With Plastic Guard**

- Cast aluminum with integrated plastic pole guard
- Matching pole caps (sold separately)



Item #	Description	Dimensions	Finish
RVCRSL-96-BZ	Closet Rod with Plastic Guard	1-15/32"W x 1-1/2"H x 96"L	Bronze
RVCRSL-96-CR	Closet Rod with Plastic Guard	1-15/32"W x 1-1/2"H x 96"L	Chrome
RVCRSL-96-SN	Closet Rod with Plastic Guard	1-15/32"W x 1-1/2"H x 96"L	Satin Nickel


**Rod End Caps**

- Dowel mount: 32 mm closet system flange with 5 mm dowel pins for easy adjustments
- Includes (1) open and (1) closed cap providing stability and enabling you to install them before inserting a closet rod
- Accepts a 1-5/8" diameter closet rod (sold separately)



Item #	Description	Dimensions	Finish
RVCRCSL-BZ	Closet Rod Caps	11/16"W x 2"D x 2"H	Bronze
RVCRCSL-CR	Closet Rod Caps	11/16"W x 2"D x 2"H	Chrome
RVCRCSL-SN	Closet Rod Caps	11/16"W x 2"D x 2"H	Satin Nickel


**Single Hooks**

- Zinc die-cast construction
- Mounting hardware included
- Concealed mounting plate



Item #	Description	Dimensions	Finish
RVCSSL-HK-BZ	Single Hook	27/32"W x 1-5/8"D 2-13/32"H	Bronze
RVCSSL-HK-CR	Single Hook	27/32"W x 1-5/8"D 2-13/32"H	Chrome
RVCSSL-HK-SC	Single Hook	27/32"W x 1-5/8"D 2-13/32"H	Satin Chrome
RVCSSL-HK-SN	Single Hook	27/32"W x 1-5/8"D 2-13/32"H	Satin Nickel


**3-Way Hooks**

- Zinc die-cast construction
- Mounting hardware included
- Concealed mounting plate



Item #	Description	Dimensions	Finish
RVCTWSL-HK-BZ	3-Way Hook	2-3/16"W x 2-13/32"D 3-15/16"H	Bronze
RVCTWSL-HK-CR	3-Way Hook	2-3/16"W x 2-13/32"D 3-15/16"H	Chrome
RVCTWSL-HK-SC	3-Way Hook	2-3/16"W x 2-13/32"D 3-15/16"H	Satin Chrome
RVCTWSL-HK-SN	3-Way Hook	2-3/16"W x 2-13/32"D 3-15/16"H	Satin Nickel

**SECTION O - TABLE OF CONTENTS**

**Section O Contents:**

- Barn Door Hardware .....2-16
- Bi-Fold/Sliding Door Hardware ..... 17-29
- Rolling Ladders ..... 30-35
- Wall Bed/Hidden Door Hardware..... 36
- Sliding Door Tracks ..... 37-44
- Hooks ..... 45-48
- Spring/Pivot Hinges ..... 49-51
- Passage Door Hardware ..... 52-54
- Bath Hardware ..... 55
- Toilet Partition Hardware ..... 56-59
- Bar Railing & Accessories ..... 60-64



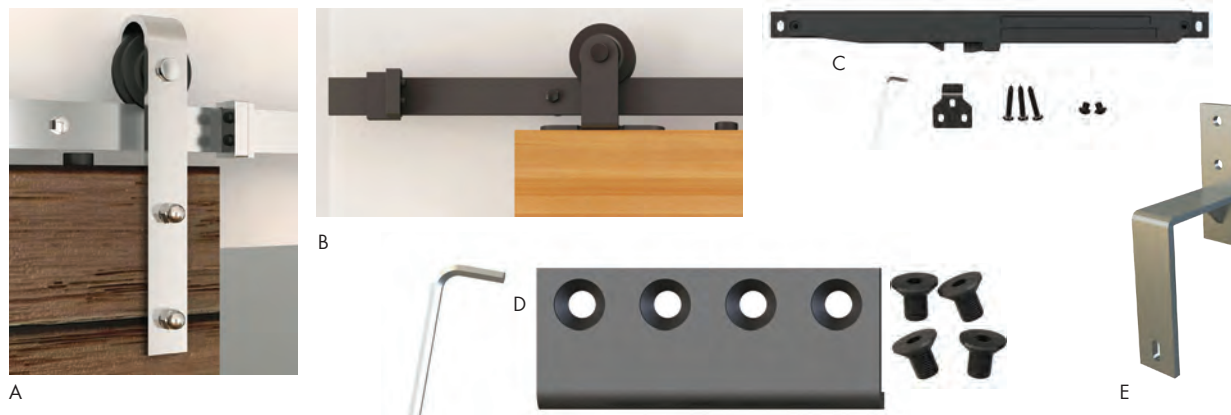
- A
- B
- C
- D
- E
- F
- G
- H
- I
- J
- K
- L
- M
- N
- O**
- P
- Q
- R
- S
- T
- U
- V
- W
- X
- Y



A  
B  
C  
D  
E  
F  
G  
H  
I  
J  
K  
L  
M  
N  
O  
P  
Q  
R  
S  
T  
U  
V  
W  
X  
Y

## BARN DOOR HARDWARE

### Flat Rail Kits with Soft-Close Option



Item #	Type	Material	Finish	Kit Includes
<b>Barn Door Hardware Flat Rail Kits - Face Mount - Maximum Door Weight: 350 lbs.</b>				
FUT7721451020	Face Mount	Steel	Matte Black	(1) 96" L Flat Rail, (5) Clamps for Fixing to Rail, (2) Door Stoppers, (2) Anti-Jump Blocks, (2) Sliding Door Rollers, & (1) Floor Guide
FUT7721451005	Face Mount	Steel	Matte Black	(1) 78" L Flat Rail, (5) Clamps for Fixing to Rail, (2) Door Stoppers, (2) Anti-Jump Blocks, (2) Sliding Door Rollers, & (1) Floor Guide
FUT7721453021	Face Mount	Steel	Oil Rubbed Bronze	(1) 96" L Flat Rail, (5) Clamps for Fixing to Rail, (2) Door Stoppers, (2) Anti-Jump Blocks, (2) Sliding Door Rollers, & (1) Floor Guide
FUT7721453007	Face Mount	Steel	Oil Rubbed Bronze	(1) 78" L Flat Rail, (5) Clamps for Fixing to Rail, (2) Door Stoppers, (2) Anti-Jump Blocks, (2) Sliding Door Rollers, & (1) Floor Guide
FUT7721456023	Face Mount	Stainless Steel	Stainless Steel	(1) 96" L Flat Rail, (5) Clamps for Fixing to Rail, (2) Door Stoppers, (2) Anti-Jump Blocks, (2) Sliding Door Rollers, & (1) Floor Guide
FUT7721456006	Face Mount	Stainless Steel	Stainless Steel	(1) 78" L Flat Rail, (5) Clamps for Fixing to Rail, (2) Door Stoppers, (2) Anti-Jump Blocks, (2) Sliding Door Rollers, & (1) Floor Guide
<b>Barn Door Hardware Flat Rail Kits - Top Mount - Maximum Door Weight: 300 lbs.</b>				
FUT7722451008	Top Mount	Steel	Matte Black	(1) 78" L Flat Rail, (5) Clamps for Fixing to Rail, (2) Door Stoppers, (2) Anti-Jump Blocks, (2) Sliding Door Rollers, & (1) Floor Guide
FUT7722456009	Top Mount	Stainless Steel	Stainless Steel	(1) 78" L Flat Rail, (5) Clamps for Fixing to Rail, (2) Door Stoppers, (2) Anti-Jump Blocks, (2) Sliding Door Rollers, & (1) Floor Guide
<b>Accessories - Soft-Close Mechanism for Flat Rail Barn Door Hardware Only</b>				
FUT7725351100	Soft-Close Mechanism, Matte Black Finish			
FUT7725353108	Soft-Close Mechanism, Oil Rubbed Bronze Finish			
FUT7725356109	Soft-Close Mechanism, Stainless Steel Finish			
<b>Accessories - Designed for Flat Rail Barn Door Hardware Only</b>				
FUT7725951104	Flat Rail Connector, Connects Two Flat Rails Together, Matte Black Finish			
FUT7725953106	Flat Rail Connector, Connects Two Flat Rails Together, Oil Rubbed Bronze Finish			
FUT7725956105	Flat Rail Connector, Connects Two Flat Rails Together, Stainless Steel Finish			
FUT7791951101	Bypass Door Brackets, Designed for Two Door Application, Matte Black Finish			
FUT7791953103	Bypass Door Brackets, Designed for Two Door Application, Oil Rubbed Bronze Finish			
FUT7791956102	Bypass Door Brackets, Designed for Two Door Application, Stainless Steel Finish			



**BARN DOOR HARDWARE**

**Round Rail Kits with Soft-Close Option**



B

A



C



A  
B  
C  
D  
E  
F  
G  
H  
I  
J  
K  
L  
M  
N  
O  
P  
Q  
R  
S  
T  
U  
V  
W  
X  
Y

Item #	Type	Material	Finish	Kit Includes
<b>Barn Door Hardware Round Rail Kits - Face Mount - Maximum Door Weight: 260 lbs.</b>				
A FUT7711456001	Face Mount	Stainless Steel	Stainless Steel	(1) 78"L Round Rail, (4) Clamps for Fixing to Rail, (2) Door Stoppers, (2) End Caps, (2) Sliding Door Rollers, (1) Floor Guide, & (1) Tool
FUT7711356002	Face Mount w/Soft-Close	Stainless Steel	Stainless Steel	(1) 78"L Round Rail, (4) Clamps for Fixing to Rail, (2) Door Stoppers, (2) End Caps, (2) Sliding Door Rollers, (1) Floor Guide, (1) Tool, (2) Soft-Closing Mechanisms, & (2) Triggers for the Soft-Close
<b>Barn Door Hardware Round Rail Kits - Top Mount - Maximum Door Weight: 260 lbs.</b>				
B FUT7712456003	Top Mount	Stainless Steel	Stainless Steel	(1) 78"L Round Rail, (4) Clamps for Fixing to Rail, (2) Door Stoppers, (2) End Caps, (2) Sliding Door Rollers, & (1) Floor Guide
FUT7712356004	Top Mount w/Soft-Close	Stainless Steel	Stainless Steel	(1) 78"L Round Rail, (4) Clamps for Fixing to Rail, (2) Door Stoppers, (2) End Caps, (2) Sliding Door Rollers, (1) Floor Guide, (2) Soft-Closing Mechanisms, & (2) Triggers for the Soft-Close
<b>Accessory - Round Rail Connector</b>				
C FUT7715956107	Round Rail Connector, designed to connect two round rails together, Stainless Steel Finish			

**A BARN DOOR HARDWARE**

A  
B  
C  
D  
E  
F  
G  
H  
I  
J  
K  
L  
M  
N  
O  
P  
Q  
R  
S  
T  
U  
V  
W  
X  
Y



**Mini-Barn Door Hardware Face Mount Kit**



- Applications: kitchen islands, bathroom vanities, dressers, decorative window coverings, & hidden TV solutions
- Suitable for door thickness of 1" - 1-3/16" (25 - 30 mm)
- Door Weight Capacity: 44 Lbs.
- Available Finishes: Matte Black
- Steel with powder coat
- **Kit Includes:**
  - (1) 70"L Flat Rail
  - (5) Clamps for Fixing to Rail
  - (2) Door Stoppers
  - (2) Anti-Jump Blocks
  - (2) Sliding Door Rollers
  - (1) Floor Guide
  - (1) Allen Key & Screws

Item #	Description	Finish
FUT7721451010	Mini-Barn Door Hardware Flat Rail Kit, Face Mount	Matte Black
FUT7721951136	Accessory - Extra Sliding Door Roller, Face Mount	Matte Black



**Mini-Barn Door Hardware Top Mount Kit**

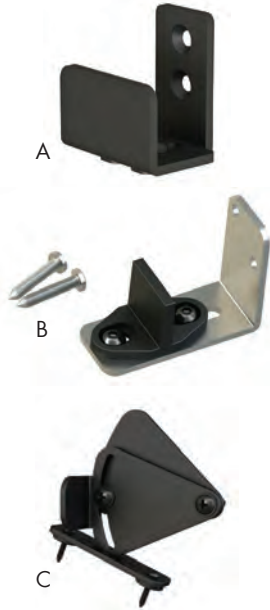


- Applications: kitchen islands, bathroom vanities, dressers, decorative window coverings, & hidden TV solutions
- Suitable for door thickness of 1" - 1-3/16" (25 - 30 mm)
- Door Weight Capacity: 44 Lbs.
- Available Finishes: Matte Black
- Steel with powder coat
- **Kit Includes:**
  - (1) 70"L Flat Rail
  - (5) Clamps for Fixing to Rail
  - (2) Door Stoppers
  - (2) Anti-Jump Blocks
  - (2) Sliding Door Rollers
  - (1) Floor Guide
  - (1) Allen Key & Screws

Item #	Description	Finish
FUT7722451011	Mini-Barn Door Hardware Flat Rail Kit, Top Mount	Matte Black
FUT7722951135	Accessory - Extra Sliding Door Roller, Top Mount	Matte Black

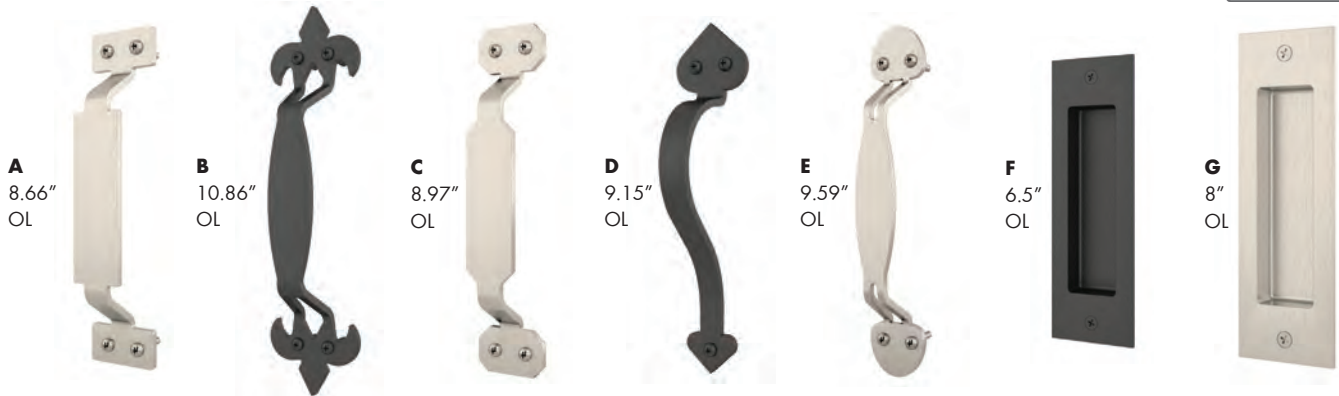
**REGULAR & MINI BARN DOOR ACCESSORIES**

**C-Guides, T-Guides & Latches**



	Item #	Description	Finish
A	FUT7791951110	C-Guide for Regular & Mini Barn Door	Matte Black
	FUT7791953111	C-Guide for Regular & Mini Barn Door	Oil Rubbed Bronze
	FUT7791956112	C-Guide for Regular & Mini Barn Door	Stainless Steel
B	FUT7791951113	T-Guide for Regular & Mini Barn Door	Matte Black
	FUT7791953114	T-Guide for Regular & Mini Barn Door	Oil Rubbed Bronze
	FUT7791956115	T-Guide for Regular & Mini Barn Door	Stainless Steel
C	FUT7751951201	Latch for Regular & Mini Barn Door	Matte Black
	FUT7751953202	Latch for Regular & Mini Barn Door	Oil Rubbed Bronze
	FUT7751959200	Latch for Regular & Mini Barn Door	Satin Nickel

**Handles**



	Item #	Style	Finish
A	FUT7751951307	Rectangle	Matte Black
	FUT7751953308	Rectangle	Oil Rubbed Bronze
	FUT7751959306	Rectangle	Satin Nickel
B	FUT7751951310	Fleur-de-lis	Matte Black
	FUT7751953311	Fleur-de-lis	Oil Rubbed Bronze
	FUT7751959309	Fleur-de-lis	Satin Nickel
C	FUT7751951313	Octagon	Matte Black
	FUT7751953314	Octagon	Oil Rubbed Bronze
	FUT7751959312	Octagon	Satin Nickel
D	FUT7751951319	Spade	Matte Black
	FUT7751953320	Spade	Oil Rubbed Bronze

	Item #	Description	Finish
E	FUT7751951316	Rounded	Matte Black
	FUT7751953317	Rounded	Oil Rubbed Bronze
	FUT7751959315	Rounded	Satin Nickel
F	FUT7753951301	6.5"OL Flush	Matte Black
	FUT7753953302	6.5"OL Flush	Oil Rubbed Bronze
	FUT7753959300	6.5"OL Flush	Satin Nickel
G	FUT7753951304	8"OL Flush	Matte Black
	FUT7753953305	8"OL Flush	Oil Rubbed Bronze
	FUT7753959303	8"OL Flush	Satin Nickel

NOTE: All handles are non-stock items.

A  
B  
C  
D  
E  
F  
G  
H  
I  
J  
K  
L  
M  
N  
O  
P  
Q  
R  
S  
T  
U  
V  
W  
X  
Y

A  
B  
C  
D  
E  
F  
G  
H  
I  
J  
K  
L  
M  
N  
O  
P  
Q  
R  
S  
T  
U  
V  
W  
X  
Y

# BARN DOOR HARDWARE

## Quiet Glide Round Rail Collection

**NOTE: All items are non-stock. Ship direct from manufacturer.**



Bring the trendy yet timeless style of our premium-quality rolling barndoor hardware to your home! The Quiet Glide Round Rail is by far our most customizable collection—from tastefully rustic to simple and modern, you can create a design to suit any space. With moveable brackets for easy, universal installation and sturdy construction that supports a max recommended 250 lbs, the Quiet Glide Round Rail hardware will be a practical and stylish addition to your home!

### 1 Select Roller Straps



#### Hand-Forged, Hammered Traditional Style

Forged by a local Wisconsin blacksmith, these Spade and Fleur-de-Lis straps are custom-made exclusively for Quiet Glide. Includes fasteners and rollers.



Item #	Style	Color
CSHQG.1104.07	Spade	Oil Rubbed Bronze
CSHQG.1104.08	Spade	Black
CSHQG.1204.07	Fleur-de-Lis	Oil Rubbed Bronze
CSHQG.1204.08	Fleur-de-Lis	Black



Round Stick 2.75"W x 6.67"H    Horseshoe 4.12"W x 6.17"H    Hook 2.5"W x 7.75"H    Top Mount 4.5"W x 3.5"H



Basic Rectangle 2.62"W x 5"H    Non-Hammered Spade    Stick 2.5"W x 9.75"H    Vista 2.5"W x 6.25"H

#### Contemporary Strap - Best Sellers!

Laser-cut steel and powder-coated finish. Includes fasteners and rollers. Choose strap style and finish (right).

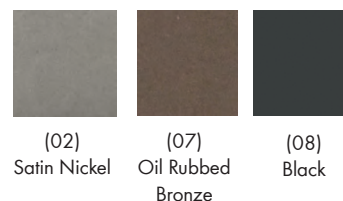
Item #	Finish
<b>Round Stick</b>	
CSHQG.1304.RS.02	Satin Nickel
CSHQG.1304.RS.07	Oil Rubbed Bronze
CSHQG.1304.RS.08	Black
<b>Hook</b>	
CSHQG1304HK02	Satin Nickel
CSHQG1304HK07	Oil Rubbed Bronze
CSHQG1304HK08	Black
<b>Basic Rectangle</b>	
CSHQG.1304.BR.02	Satin Nickel
CSHQG.1304.BR.07	Oil Rubbed Bronze
CSHQG.1304.BR.08	Black
<b>Stick</b>	
CSHQG1304ST02	Satin Nickel
CSHQG1304ST07	Oil Rubbed Bronze
CSHQG1304ST08	Black

Item #	Finish
<b>Horseshoe</b>	
CSHQG.1304.HS.02	Satin Nickel
CSHQG.1304.HS.07	Oil Rubbed Bronze
CSHQG.1304.HS.08	Black
<b>Top Mount</b>	
CSHQG1304TM02	Satin Nickel
CSHQG1304TM07	Oil Rubbed Bronze
CSHQG1304TM08	Black
<b>Non-Hammered Spade</b>	
CSHQG1104NH07	Oil Rubbed Bronze
CSHQG1104NH08	Black
<b>Vista</b>	
CSHQG.1304.V.02	Satin Nickel
CSHQG.1304.V.07	Oil Rub Bronze
CSHQG.1304.V.08	Black



See next page for item numbers.

#### Available Finishes:



## BARN DOOR HARDWARE

### 1 Select Roller Straps - Continued

NOTE: All items are non-stock. Ship direct from manufacturer.



Item #	Finish
<b>Cube Stick</b>	
CSHQQ.1304.CS.02	Satin Nickel
CSHQQ.1304.CS.07	Oil Rub Bronze
CSHQQ.1304.CS.08	Black
<b>Notched Rectangle</b>	
CSHQQ.1304.NR.02	Satin Nickel
CSHQQ.1304.NR.07	Oil Rub Bronze
CSHQQ.1304.NR.08	Black

Item #	Finish
<b>Non-Hammered Fleur-de-Lis</b>	
CSHQQ1204NH07	Oil Rub Bronze
CSHQQ1204NH08	Black
<b>Tri-Star</b>	
CSHQQ1304TS02	Satin Nickel
CSHQQ1304TS07	Oil Rub Bronze
CSHQQ1304TS08	Black

Item #	Finish
<b>Palm-Leis</b>	
CSHQQ1304PL08	Black
<b>Circles</b>	
CSHQQ.1304.C.02	Satin Nickel
CSHQQ.1304.C.07	Oil Rub Bronze
CSHQQ.1304.C.08	Black

Item #	Finish
<b>Wright</b>	
CSHQQ1304WR02	Satin Nickel
CSHQQ1304WR07	Oil Rub Bronze
CSHQQ1304WR08	Black
<b>Kaminski Wolf</b>	
CSHQQ1304NK02	Satin Nickel
CSHQQ1304NK07	Oil Rub Bronze
CSHQQ1304NK08	Black

### 2 Select Round Aluminum Rails

#### Round Aluminum Rail for Rolling Barn Doors

Hang your rolling barn doors on sturdy, solid, 1" diameter aluminum rails. You can even join multiple rails together using splice kits.



Item #	Length	Finish
CSHQQ.4004.02	4'	Satin Nickel
CSHQQ.4004.07	4'	Oil Rub Bronze
CSHQQ.4004.08	4'	Black
CSHQQ.4006.02	6'	Satin Nickel
CSHQQ.4006.07	6'	Oil Rub Bronze
CSHQQ.4006.08	6'	Black
CSHQQ.4008.02	8'	Satin Nickel
CSHQQ.4008.07	8'	Oil Rub Bronze
CSHQQ.4008.08	8'	Black

#### Standard End Cap Kit for Round Rails

Made out of solid Steel. Each kit includes 2 caps (1-1/4" dia.) and 2 fastening bolts (1/4" #20 x 18mm)



Item #	Finish
CSHQQ.40.02	Satin Nickel
CSHQQ.40.07	Oil Rub Bronze
CSHQQ.40.08	Black

#### Ball End Cap Kit for Round Rails

Made of Aluminum. Ball cap measures 1-1/2" dia. and has a 1/4" 20 screw. Each kit includes 2 ball caps.



Item #	Finish
CSHQQ.401.02	Satin Nickel
CSHQQ.401.07	Oil Rub Bronze
CSHQQ.401.08	Black

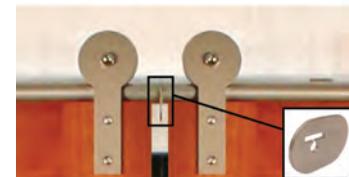
#### Splice Kit for Joining Round Rails Together



Item #	Size
CSHQQ.41	1/2" x 1/8" Bar

#### Center Door Stop for Biparting Applications

Stops your biparting door(s) in the middle where rails are joined. Use with two rail sections and splice kit.



Item #	Finish
CSHQQ40202	Satin Nickel
CSHQQ40207	Oil Rub Bronze
CSHQQ40208	Black

#### Thread Tap Accessory

Accessory used to make threads at the end of rails for end caps.



Item #	Size
CSHQTAP1420	1/4" x 20 Tap



Our solid round rails come extruded with a special profile. This allows for easy attachment to wall mounting brackets, end caps and splice kits.

**A BARN DOOR HARDWARE**

**3 Select Wall-Mounting Brackets**

**Wall-Mounting Bracket for Round Rails**

Choose between short and long brackets (depending on how far you want the door from the wall). Sold as each. Screws are included.

Brackets are used to mount the round rail to the wall. Recommended spacing between brackets is 16".

Wall Brackets must be mounted securely into a wood header. If the brackets are to be mounted to the moulding surrounding the opening of the door, the moulding must be firmly secured to the wall framework.



**Short Bracket**

For doors up to 1-5/8" thick.

Item #	Finish
CSHQG.203.02	Satin Nickel
CSHQG.203.07	Oil Rub Bronze
CSHQG.203.08	Black



**Long Bracket**

For doors up to 2-1/4" thick.

Item #	Finish
CSHQG.201.02	Satin Nickel
CSHQG.201.07	Oil Rub Bronze
CSHQG.201.08	Black



**4 Select Door Guides & Stops**



Short

Long



Used as a Stop

**Universal Guide/Stop, Non-Handed**

This product can be used as either a guide or a door stop, mounted onto the floor or to the wall. Sold as each.



A

B

C

D

Item #	Description	Finish	
<b>Hand Forged, Hammered Spade Center Guide</b>			
A	CSHQG.1101.07	Guide can be adjusted to accommodate various door thicknesses. Rear bracket and screws are included.	Oil Rubbed Bronze
	CSHQG.1101.08		Black
<b>Hand Forged, Hammered Fleur-de-Lis Center Guide</b>			
B	CSHQG.1201.07	Guide can be adjusted to accommodate various door thicknesses. Rear bracket and screws are included.	Oil Rubbed Bronze
	CSHQG.1201.08		Black

Item #	Size	Finish
<b>Use with Short Bracket (QG203 **)</b>		
CSHQG13060102	1-7/8"	Satin Nickel
CSHQG13060107	1-7/8"	Oil Rub Bronze
CSHQG13060108	1-7/8"	Black
<b>Use with Long Bracket (QG201 **)</b>		
CSHQG13060202	2-1/2"	Satin Nickel
CSHQG13060207	2-1/2"	Oil Rub Bronze
CSHQG13060208	2-1/2"	Black

Left Stop Item #	Right Stop Item #	Description	Finish	
<b>Hand Forged, Hammered Spade Door Stop</b>				
C	CSHQG.1102.07	CSHQG.1103.07	Includes screws and a rubber bumper. Left and right stops sold separately.	Oil Rubbed Bronze
	CSHQG.1102.08	CSHQG.1103.08		Black
<b>Hand Forged, Hammered Fleur-de-Lis Door Stop</b>				
D	CSHQG.1202.07	CSHQG.1203.07	Includes screws and a rubber bumper. Left and right stops sold separately.	Oil Rubbed Bronze
	CSHQG.1202.08	CSHQG.1203.08		Black

NOTE: All items are non-stock. Ship direct from manufacturer.

**BARN DOOR HARDWARE**

**4 Select Door Guides & Stops - Continued**



**Non-Hammered Spade Center Guide**

Can be adjusted for various door thicknesses. Rear bracket and screws are included.

Item #	Finish
CSHQG1101NH07	Oil Rubbed Bronze
CSHQG1101NH08	Black



**Non-Hammered Spade Door Stop**

Includes screws and a rubber bumper. Left and right stops sold separately.

Item #	Finish
<b>Left Stop</b>	
CSHQG1102NH07	Oil Rubbed Bronze
CSHQG1102NH08	Black
<b>Right Stop</b>	
CSHQG1103NH07	Oil Rubbed Bronze
CSHQG1103NH08	Black



**Door Floor Guides with Slotted Bottom**

Item #	Type	Includes
CSHNT140308	Black Plastic	(2) 1" Screws & Anchors
CSHNT.1413.SS	Stainless Steel	(2) 1" Screws & Anchors
CSHQG.1303.FG.07	Brown Plastic	(2) 11/16" Screws



**Plastic Channel**

Use with the Brown Plastic Floor Guide. Can be trimmed to size.

Item #	Size
CSHQG.1313.CH3607	36"
CSHQG.1313.CH4807	48"



**Non-Hammered Fleur-de-Lis Center Guide**

Can be adjusted for various door thicknesses. Rear bracket and screws are included.

Item #	Finish
CSHQG1201NH07	Oil Rubbed Bronze
CSHQG1201NH08	Black



**Non-Hammered Fleur-de-Lis Door Stop**

Each stop includes screws and a rubber bumper. Left and right stops sold separately.

Item #	Finish
<b>Left Stop</b>	
CSHQG1202NH07	Oil Rubbed Bronze
CSHQG1202NH08	Black
<b>Right Stop</b>	
CSHQG1203NH07	Oil Rubbed Bronze
CSHQG1203NH08	Black



**Roller Center Guide for Rough Door Surfaces**

Rolling guide for doors with rough surfaces (reclaimed barn wood or rustic finishes). Constructed of heavy duty black Delron polymer, this guide also includes a mounting bolt.

Item #	Length	Color
CSHQG.1000.08	2-13/16"	Black



**Steel Round Rail Door Stop**

Stops the door from the top instead of the bottom. Mount onto the round rail. Includes a rubber ring to protect door hardware. Fasteners included.

Note: Additional center floor guides required to keep door rolling in a straight path.

Item #	Color
CSHNT.1404.02	Satin Nickel
CSHNT.1404.07	Oil Rubbed Bronze
CSHNT.1404.08	Black



**Dome Door Stop, Non-Handed**

Stops are interchangeable, can be used left or right stop.

Includes screws and a rubber bumper.

Item #	Finish
CSHQG.1305.DS.02	Satin Nickel
CSHQG1305DS07	Oil Rubbed Bronze
CSHQG.1305.DS.08	Black



**Dome Center Guide**

Can be adjusted for various door thicknesses. Rear bracket and screws are included.

Item #	Finish
CSHQG.1301.DG.02	Satin Nickel
CSHQG1301DG07	Oil Rubbed Bronze
CSHQG.1301.DG.08	Black

NOTE: All items are non-stock. Ship direct from manufacturer.

A  
B  
C  
D  
E  
F  
G  
H  
I  
J  
K  
L  
M  
N  
O  
P  
Q  
R  
S  
T  
U  
V  
W  
X  
Y

**A BARN DOOR HARDWARE**

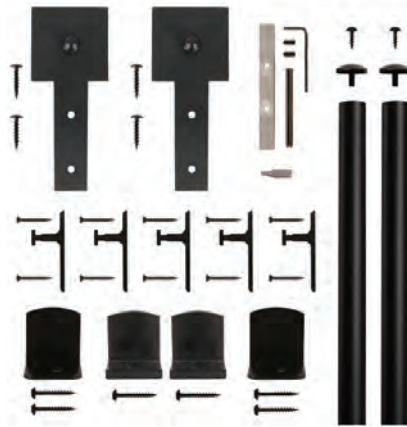
**American Home Collection**

This collection is based on our Quiet Glide Round Rail, but was designed with two goals: simplicity and savings! The American Home collection gives you the striking and practical design you are looking for, yet allows you to save some money by simplifying the kits.

The kits come in a beautiful black powder-coated finish, 6' rails, and a variety of strap styles that are ready to complement any decor.

**Each Kit Includes:**

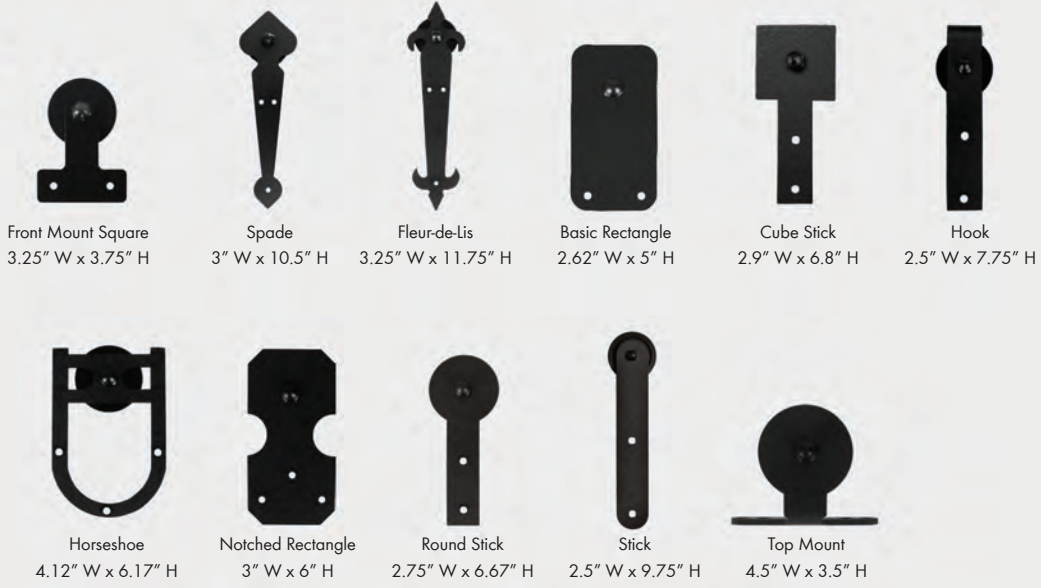
- 2 - Straps with Rollers
- 2 - 3' Round Rail Segments
- 2 - Rail End Caps
- 1 - Round Rail Splice Kit
- 5 - Short Round Rail Brackets
- 2 - Floor Guides
- 2 - Floor Stops
- All necessary fasteners
- (kits only available in Black)



NOTE: All items are non-stock. Ship direct from manufacturer.



- Each kit sold as a packaged 6' kit
- Two 3' rail segments spliced together
- Package weighs 7.47 lbs.
- Compatible for doors up to 1-5/8" thick
- Max. weight capacity is 150 lbs.
- Low-cost shipping via UPS or FedEx



**American Home Collection Kit, Black**

Item #	Strap Style
CSHQG.1310E04086S	Front Mount Square
CSHQG.1110ENH086S	Spade
CSHQG.1210ENH086S	Fleur-de-Lis
CSHQG.1310EBR086S	Basic Rectangle
CSHQG.1310ECS086S	Cube Stick
CSHQG.1310EHK086S	Hook

Item #	Strap Style
CSHQG.1310EHS086S	Horseshoe
CSHQG.1310ENR086S	Notched Rectangle
CSHQG.1310ERS086S	Round Stick
CSHQG.1310EST086S	Stick
CSHQG.1310ETM086S	Top Mount



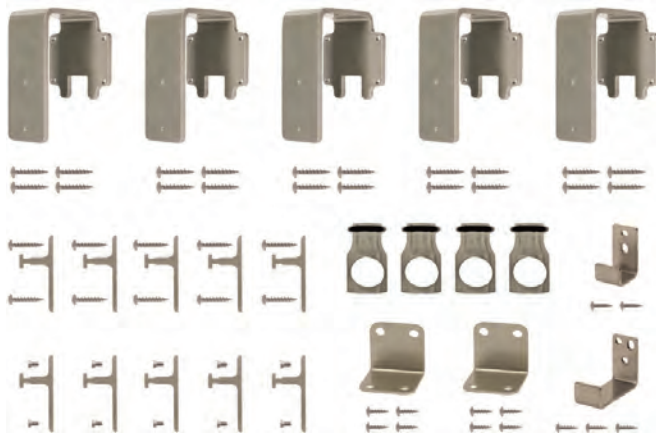
# BARN DOOR HARDWARE

## Round Rail Bypassing Hardware

Introducing the perfect way to install a bypassing door using either our Quiet Glide Round Rail or American Home collection rolling barn door kits! Each kit includes everything you need to combine two sets of rolling barn door hardware into a beautiful and impressive bypassing door.

Please note that the barn door hardware kits themselves are sold separately from bypassing hardware kits.

### Round Rail Bypassing Hardware Kit



**Kit Includes:**

- 5 - Bypassing Brackets
- 5 - Rail Brackets w/ Long Screws
- 5 - Rail Brackets w/ Short Screws
- 4 - Steel Door Stoppers
- 1 - Wall-Mounted Guide
- 1 - Floor-Mounted Guide
- 2 - Stop Slots
- All necessary fasteners

**NOTE:** All items are non-stock. Ship direct from manufacturer.



Compatible with both the Quiet Glide Round Rail and the American Home kits.

### Round Rail Bypassing Hardware Add-On Kit

- Available in three finishes
- Heavy Duty 1/4" Steel
- Overall Dimensions: 5-5/8"H x 3-1/4"D x 3-1/4"W



Item #	Finish
CSHQG.1312.01.02	Satin Nickel
CSHQG.1312.01.07	Oil Rubbed Bronze
CSHQG.1312.01.08	Black



A  
B  
C  
D  
E  
F  
G  
H  
I  
J  
K  
L  
M  
N  
O  
P  
Q  
R  
S  
T  
U  
V  
W  
X  
Y

**A BARN DOOR HARDWARE**

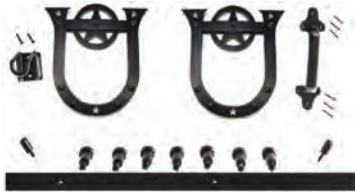


**Heavy Duty Kits**

Want that authentic, heavy duty barn door look and feel on an interior door? This is the hardware you're looking for.



This kit is heavy duty in more than just name and appearance with large metal wheels and a sturdy flat rail, this hardware has a max recommended wight capacity of 550 lbs! It's the perfect match for that heavy rustic door that would make such a beautiful addition to your home.



**Heavy Duty Large Horseshoe Strap Kit**

- Max. Door Thickness: 2-3/4"
- Max. Loading Weight: 500 lbs.

**Includes:**

- 2 - Horseshoe Straps
- 1 - 8' Flat Rail
- 7 - Flat Rail Mounting Brackets
- 2 - Door Stops
- 1 - Iron Heritage Handle
- All necessary fasteners

Item #	Finish
CSHHPIDHP1000	Black



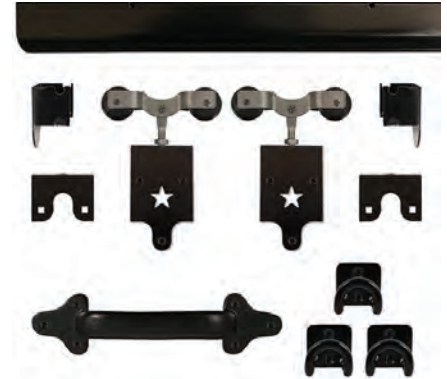
**Heavy Duty Hook Strap Kit**

- Max. Door Thickness: 2-3/4"
- Max. Loading Weight: 500 lbs.

**Includes:**

- 2 - Hook Straps
- 1 - 8' Flat Rail
- 7 - Flat Rail Mounting Brackets
- 2 - Door Stops
- 1 - Iron Heritage Handle
- All necessary fasteners

Item #	Finish
CSHHPIDHP2000	Black



**Heavy Duty Star Trolley Kit**

- Max. Door Thickness: 2-1/8"
- Max. Loading Weight: 500 lbs.

**Includes:**

- 2 - Star Drop Trolleys
- 1 - 8' EZ-Track Channel
- 7 - EZ-Track Mounting Screws
- 2 - Door Stops
- 1 - Iron Heritage Handle
- All necessary fasteners

Item #	Finish
CSHHPIDHP3000	Black



**Heavy Duty Mini Horseshoe Strap Kit**

- Max. Door Thickness: 2-3/4"
- Max. Loading Weight: 300 lbs.

**Includes:**

- 2 - Mini Horseshoe Straps
- 1 - 8' Flat Rail
- 7 - Flat Rail Mounting Brackets
- 2 - Door Stops
- 1 - Iron Heritage Handle
- All necessary fasteners

Item #	Finish
CSHHPIDHP4000KS	Black



**Heavy Duty Mini Hook Strap Kit**

- Max. Door Thickness: 2-3/4"
- Max. Loading Weight: 300 lbs.

**Includes:**

- 2 - Mini Hook Straps
- 1 - 8' Flat Rail
- 7 - Flat Rail Mounting Brackets
- 2 - Door Stops
- 1 - Iron Heritage Handle
- All necessary fasteners

Item #	Finish
CSHHPIDHP5000KS	Black

An additional glossy black handle to go along with Heavy Duty

- 2.75"W x 2.5"D x 11"H
- Weight: 2 lbs.

Item #
CSHHP.IDHP-3009



**NOTE:** All items are non-stock. Ship direct from manufacturer.

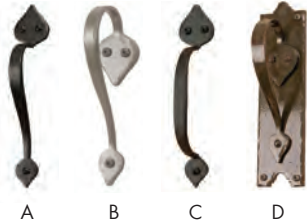
# BARN DOOR HARDWARE

## Handles, Pulls and Latches

Personalize your barn door to perfectly fit your home with our wide variety of handles, pulls, and latches! Whether you want an understated recessed pull, an elegant fleur-de-lis handle, or even a heavy duty industrial pipe handle, we have the hardware to suit your style. Don't forget to check out our latch and strike plate set—a perfect privacy addition for bedrooms!



### Hand-Forged Iron Door Handle



	Item #	Finish
A	CSHQG11990102	Satin Nickel
	CSHQG11990107	Oil Rubbed Bronze
	CSHQG11990108	Black
B	CSHQG11990202	Satin Nickel
	CSHQG11990207	Oil Rubbed Bronze
	CSHQG11990208	Black
C	CSHQG11990302	Satin Nickel
	CSHQG11990307	Oil Rubbed Bronze
	CSHQG11990308	Black
D	CSHQG11990402	Satin Nickel
	CSHQG11990407	Oil Rubbed Bronze
	CSHQG11990408	Black

### Solid Brass Door Pull



Measures 6" H with 1-3/4" projection. Screws are included.

Item #	Finish
CSHDA.WP27U15	Satin Nickel
CSHDA.WP27U10B	Oil Rubbed Bronze
CSHDA.WP27U19	Black

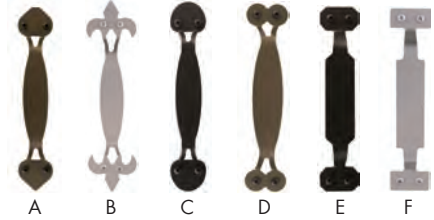
### Recessed Flush Pull

Ideal for use on the inside of rolling barn doors. Each pull comes with necessary screws. Use straight router bits to create a clean recess.



Item #	Finish
<b>A - 7" x 1-7/8" x 7/16"</b>	
CSHDA.FP7178U15	Satin Nickel
CSHDA.FP7178U10B	Oil Rubbed Bronze
CSHDA.FP7178U19	Black
<b>B - 4" x 1-3/4" x 7/16"</b>	
CSHDA.FP4134U15	Satin Nickel
CSHDA.FP4134U10B	Oil Rubbed Bronze
CSHDA.FP4134U19	Black

### Laser-Cut Steel Handles



	Item #	Finish
A	CSHQG.1199.05.02	Satin Nickel
	CSHQG.1199.05.07	Oil Rubbed Bronze
	CSHQG.1199.05.08	Black
B	CSHQG.1299.01.02	Satin Nickel
	CSHQG.1299.01.07	Oil Rubbed Bronze
	CSHQG.1299.01.08	Black
C	CSHQG.1399.01.02	Satin Nickel
	CSHQG.1399.01.07	Oil Rubbed Bronze
	CSHQG.1399.01.08	Black
D	CSHQG.1399.02.02	Satin Nickel
	CSHQG.1399.02.07	Oil Rubbed Bronze
	CSHQG.1399.02.08	Black
E	CSHQG.1399.03.02	Satin Nickel
	CSHQG.1399.03.07	Oil Rubbed Bronze
	CSHQG.1399.03.08	Black
F	CSHQG.1399.04.02	Satin Nickel
	CSHQG.1399.04.07	Oil Rubbed Bronze
	CSHQG.1399.04.08	Black

### Latch & Strike Plate Set To Lock Doors



A - Traditional B - Heavy Duty

Latch your rolling barn door from the inside. Screws are included.

	Item #	Finish
A	CSHQG13070102	Satin Nickel
	CSHQG13070107	Oil Rubbed Bronze
	CSHQG13070108	Black
B	CSHNT.1479.01.SS	Satin Nickel

### Industrial Collection Pipe Handle



Heavy duty steel with beautiful powder coat finish. Measures 13" x 3-1/2" x 3". Mounting hardware included.

	Item #	Finish
A	CSH52.1399.01.02	Satin Nickel
B	CSH52.1399.01.07	Oil Rubbed Bronze
C	CSH52.1399.01.08	Black

NOTE: All items are non-stock. Ship direct from manufacturer.

A  
B  
C  
D  
E  
F  
G  
H  
I  
J  
K  
L  
M  
N  
O  
P  
Q  
R  
S  
T  
U  
V  
W  
X  
Y

A  
B  
C  
D  
E  
F  
G  
H  
I  
J  
K  
L  
M  
N  
O  
P  
Q  
R  
S  
T  
U  
V  
W  
X  
Y

# BARN DOOR HARDWARE



This application uses 2 Large Spoke Wheel Hook Strap Kits with 5 Bypass Door Brackets

## Designer's Collection

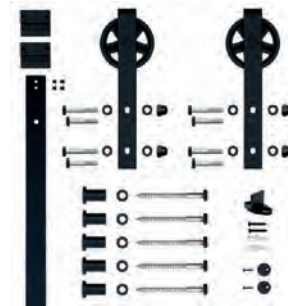
We're excited to introduce the CSH Designer's Collection Rolling Door Kit—our newest solution for the cost-conscious buyer! The black powder-coated steel hardware has a versatile look that is perfect for any interior space and it's sturdy enough to support a loading weight of up to 220 lbs.



### Each Designer's Collection Hook Strap

**Kit Includes:**

- 2 - Straps w/ Rollers
- 1 - Floor Center Guide
- 1 - 78 3/4" Flat Rail
- All fasteners
- 2 - Rail Stops
- 2 - Anti-Jump Blocks
- 5 - Rail Brackets



### Designer's Collection 2m Kits:



#### 2m (78-3/4") Hook Strap Kit with Large Spoke Wheels, Black

One of the most affordable rolling door kits around! You can get this steel, powder-coated black kit for your 32" or 36" door openings. For use with doors measuring between 1-3/8" and 1-3/4" thick. Maximum weight is 220 lbs.

Item #	Roller Size
CSHNT.1400.08W.08	4-3/4"



#### 2m (78-3/4") Hook Strap Kit with Small Wheels

**Roller Size: 2-3/4"**

Customize your door's style with one of our newest flat rail kits! For use with doors measuring between 1-3/8" and 1-3/4" thick. All major components and fasteners are finished in its corresponding color. Fits 32" and 36" openings. Maximum weight is 220 lbs.

Item #	Finish
CSHNT.1400.09W.07	Oil Rub Bronze
CSHNT.1400.09W.08	Black

### Designer's Collection Accessories



#### Steel Bypass Door Bracket Buy 5 For A Complete Set

Compatible with any Designer's Collection door kit. For a complete bypass set for a Designer's Collection kit, you must purchase 5 bypass door brackets. Fasteners are included.

Item #	Finish
CSHNT.1423.08	Black



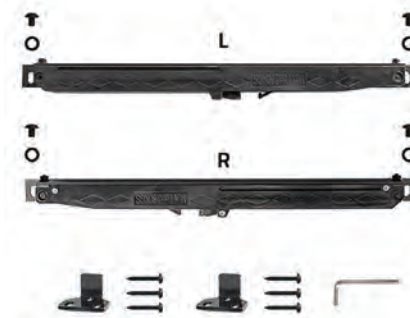
#### Steel Flat Rail Door Stop

This steel stop comes with soft rubber linings to better adhere to the rail. Compatible with the Large Spoke Wheel kit. Sold as each. Fasteners are included.

Large Spoke Wheel kit. Sold as each. Fasteners are included.

Item #	Finish
CSHNT.1420.08	Black

### Designer's Collection Soft-Close Mechanism Kit



Make your door's motion extra smooth and quiet with this soft-close mechanism kit! Purchase one kit for each Designer's Collection kit.

**Includes:**

- 2 - Soft-close mechanisms (L + R)
- 2 - Actuators left and right mechanisms
- All required fasteners.

Item #	Finish
CSHNT.1424.08	Black

### Steel Flat Rail Connector Kit



Used to join flat rails together. Compatible with any Designer's Collection kit. Screws and Allen wrench are included.

Item #	Finish
CSHNT.1419.08	Black

### Floor Guide for Doors with a Slotted Bottom



Item #	Finish
CSHNT140308	Black Plastic
CSHQG.1303.FG.07	Brown Plastic

### Plastic Channel

Use with the Brown Plastic Floor Guide. Protects the door from wear and tear. Trim to size.



Item #	Size
CSHQG.1313.CH3607	36"
CSHQG.1313.CH4807	48"

NOTE: All items are non-stock. Ship direct from manufacturer.

**BARN DOOR HARDWARE**

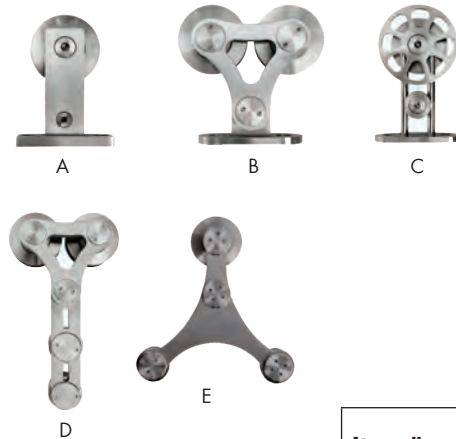
**Stainless Steel Kits**



**Each Stainless Steel Round Rail Kit**

**Includes:**

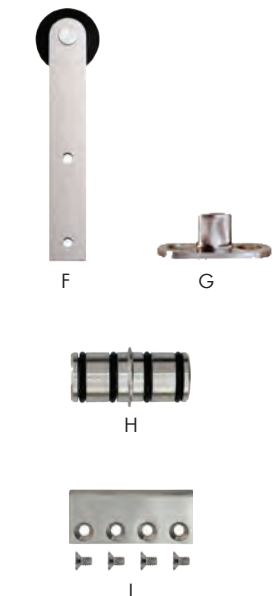
- 2 - Straps with Rollers
- 1 - 78-3/4" Flat Rail Segment
- 2 - Rail-Mounted Door Stops
- 2 - Screw-On End Caps
- 4 - Disc Mounting Brackets
- 1 - Floor Center Guide
- All necessary fasteners



**Each Stainless Steel Flat Rail Kit**

**Includes:**

- 2 - Straps with Rollers
- 1 - 72" or 96" Flat Rail Segment
- 2 - Flat Rail Door Stops
- 5 - Flat Rail Mounting Brackets
- 2 - Anti-Jump Blocks
- 1 - Floor Center Guide
- All necessary fasteners



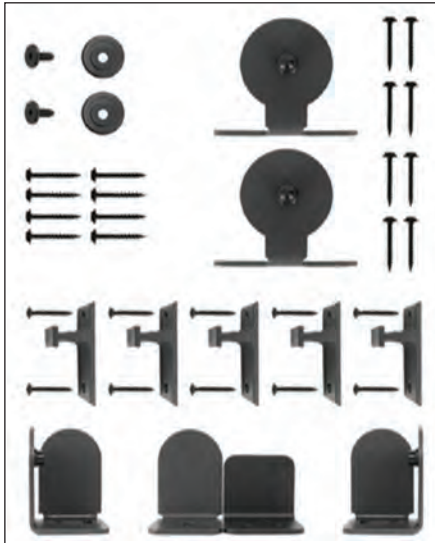
Item #	Rail Length	Description	Max. Door Thickness	Max. Weight
<b>Stainless Steel Round Rail Kits</b>				
A	CSHNT140001WSS	78"	Top Mount	200 lb.
	CSHNT140001W96SS	96"	For use with wood doors	
B	CSHNT140002WSS	78"	Top Mount, Dual Wheel	200 lb.
	CSHNT140002W96SS	96"	For use with wood doors	
C	CSHNT140004WSS	78"	Top Mount Spoke Wheel	200 lb.
	CSHNT140004W96SS	96"	For use with wood doors	
D	CSHNT140006WGSS	78"	Front Mount Dual Wheel	1-9/16" Wood, 12mm Glass
E	CSHNT140007WGSS	78"	Front Mount Triangle	1-9/16" Wood, 12mm Glass
<b>Stainless Steel Flat Rail Kits</b>				
F	CSHNT140003WSS	78"	Front Mount Stick	220 lb.
<b>Stainless Steel Accessories</b>				
G	CSHNT.1413.SS	Stainless Steel Floor Guide for wood doors		
H	CSHNT1405SS	Round Rail Connector for joining round rails together		
I	CSHNT1419SS	Flat Rail Connector for joining flat rails together		

NOTE: All items are non-stock. Ship direct from manufacturer.

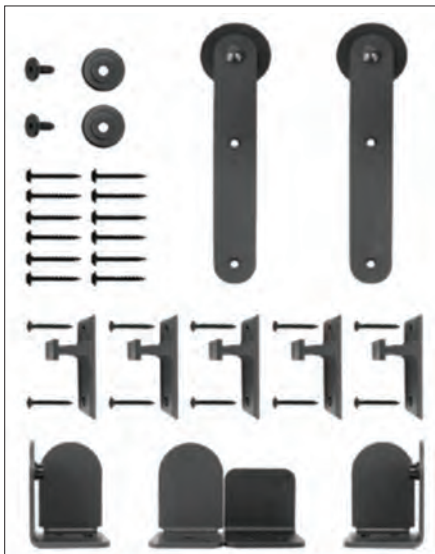
A  
B  
C  
D  
E  
F  
G  
H  
I  
J  
K  
L  
M  
N  
O  
P  
Q  
R  
S  
T  
U  
V  
W  
X  
Y

**A BARN DOOR HARDWARE**

A  
B  
C  
D  
E  
F  
G  
H  
I  
J  
K  
L  
M  
N  
O  
P  
Q  
R  
S  
T  
U  
V  
W  
X  
Y



A



B



C

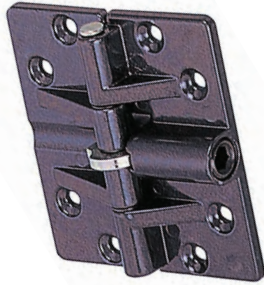
**Barn Door Hardware Kits**

- Top Mount and Face Mount Kits
- Complete, easy-to-install kits include carriers, stops, guide and all fasteners
- Aluminum round rails sold separately (below)
- All tracks, rails, and components fabricated from sleek, durable, powder-coated aluminum
- Supports doors up to 250 lbs.
- Black Finish



	Item #	Description	Kit Includes
<b>Barn Door Hardware Kits (Round Rail Sold Separately Below)</b>			
A	KVRT-TMBK-06	Monte Carlo Series, Top Mount, Black Finish (Round Rail Sold Separately Below)	(2) Carriers, (1) Floor Guide Set, (2) Door Stops, (5) Brackets, (1) End Stop Kit & Fasteners
B	KVRT-STBK-06	Macau Series, Face Mount, Black Finish (Round Rail Sold Separately Below)	(2) Carriers, (1) Floor Guide Set, (2) Door Stops, (5) Brackets, (1) End Stop Kit & Fasteners
<b>Aluminum Round Rail</b>			
C	KVRTBK-06-A	72" Aluminum Round Rail, Black Finish	
	KVRTBK-08-A	96" Aluminum Round Rail, Black Finish	

**BI-FOLD HINGES**

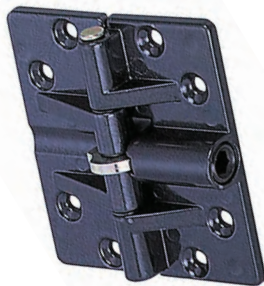


**Bi-Fold Hinge, Double Locking**



- Automatically locks flat in the open position so the door remains straight and can engage magnetic or friction catches when the doors are folded to eliminate "bounce-back"
- Locks at 0°, 180° and 135°
- Made of die-cast metal with a nylon and brass plated steel spring mechanism
- Countersunk for #6 screws
- Sold per each

Item #	Dimensions	Finish
SYHS8303	2-1/2"W x 2-9/16"H x 1/8"Thick	Dark Brown Powder Coated



**Bi-Fold Hinge**



- Built-in stop
- Spring action with various tensions
- Zamak material within a plastic housing
- Sold per each

Item #	Size	Finish
FUT21050	2-3/8"L x 2-9/16"W	Black

Visit us on our website: [wurthlac.com](http://wurthlac.com)





Shop By Category | Home

**LEAVE THE DUST BEHIND WITH 3M XTRACT™ ABRASIVES!**



A  
B  
C  
D  
E  
F  
G  
H  
I  
J  
K  
L  
M  
N  
O  
P  
Q  
R  
S  
T  
U  
V  
W  
X  
Y

**A BI-FOLD DOOR HARDWARE SET, 25 LB. CAPACITY**

B  
C  
D  
E  
F  
G  
H  
I  
J  
K  
L  
M  
N  
O  
P  
Q  
R  
S  
T  
U  
V  
W  
X  
Y



**Grant Bi-fold 25 Light Duty Bi-fold Door Sets**

- Up to 25 lbs. per panel
- Application: Bi-Fold Doors
- For door thickness 3/4"W up to 1-3/4"W, Top Mount, Adjustable
- Unique stay open - stay close design keeps door in place
- Spring plunger glides smoothly & easily while staying securely in place
- Doors fold flat for better access
- Floor cam functions as marking template ensuring top and bottom holes are aligned, no measuring needed
- No bottom guide assistance required
- Conforms to ANSI/BHMA standards, Grade 1



**Grant Bi-fold 25 Hardware Set 2-Door 1-Way for Two Door Installation, One Way**

**Hardware set includes:**

- (1) Pivot Plate Assembly
- (2) Plunger Spring Assembly
- (1) Floor Cam Assembly
- (1) Bi-Fold Hinge Set 2646 necessary screws installation instructions

Item #
HET1134346

**Track Only, Aluminum Extruded, Pre-Drilled Holes**

Screws not included - recommend #10 Flat Head

Item #	Size
HET1134406	36" Length
HET1134399	48" Length
HET1134400	60" Length
HET1134401	72" Length
HET1134402	96" Length
HET1134403	120" Length
HET1134404	144" Length
HET1134405	192" Length



**BI-FOLD DOOR HARDWARE SET, 50 LB. CAPACITY**

A  
B  
C  
D  
E  
F  
G  
H  
I  
J  
K  
L  
M  
N  
O  
P  
Q  
R  
S  
T  
U  
V  
W  
X  
Y



**Grant Bi-fold 50  
Light Duty Bi-fold Door Sets**

- Up to 50 lbs. per panel, Multi-Fold Up to 30 lbs. per panel
- Application: Bi-Fold Doors
- For door thickness 3/4"W up to 1-3/4"W, Top Mount, Adjustable
- Unique stay open - stay close design keeps door in place
- Ball bearing carrier with 4-wheels for smooth and long lasting operation
- Doors fold flat for better access
- Simple & easy to install, floor cam functions as marking template ensuring top and bottom holes are aligned, no measuring needed
- No bottom guide assistance required
- Conforms to ANSI/BHMA standards, Grade 1

**Grant Bi-fold 50 Hardware Set 2-Door 1-Way for  
Two Door Installation, One Way**

**Hardware set includes:**

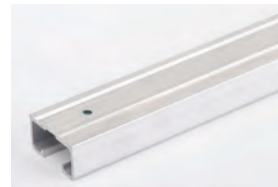
- (1) Pivot Plate Assembly
- (1) Carrier 50E w/Quick Release Top Plate
- (1) Plunger Spring Assembly
- (1) Floor Cam Assembly
- (1) Bi-Fold Hinge Set 2646 necessary screws
- Installation Instructions



Item #
HET1134347

**Track Only, Aluminum Extruded, Pre-Drilled Holes**

Screws not included - recommend #10 Flat Head



Item #	Size
HET1134406	36" Length
HET1134399	48" Length
HET1134400	60" Length
HET1134401	72" Length
HET1134402	96" Length
HET1134403	120" Length
HET1134404	144" Length
HET1134405	192" Length

**Additional Parts for Multi-Fold Doors**

For each additional door, it is required to buy (1) Carrier (HET1134322) and (1) Bi-Fold Hinge Set (HET1134407)

**Grant Carrier 50E with Top Plate**

- Four Ball Bearing Wheels
- Quick Release Top Plate
- Screws Included



Item #
HET1134322

**Bi-fold Hinge Set**

- Contains: Three (3) 2646 Hinges
- Steel, zinc plated, mortised
- Screws Included



Item #
HET1134407

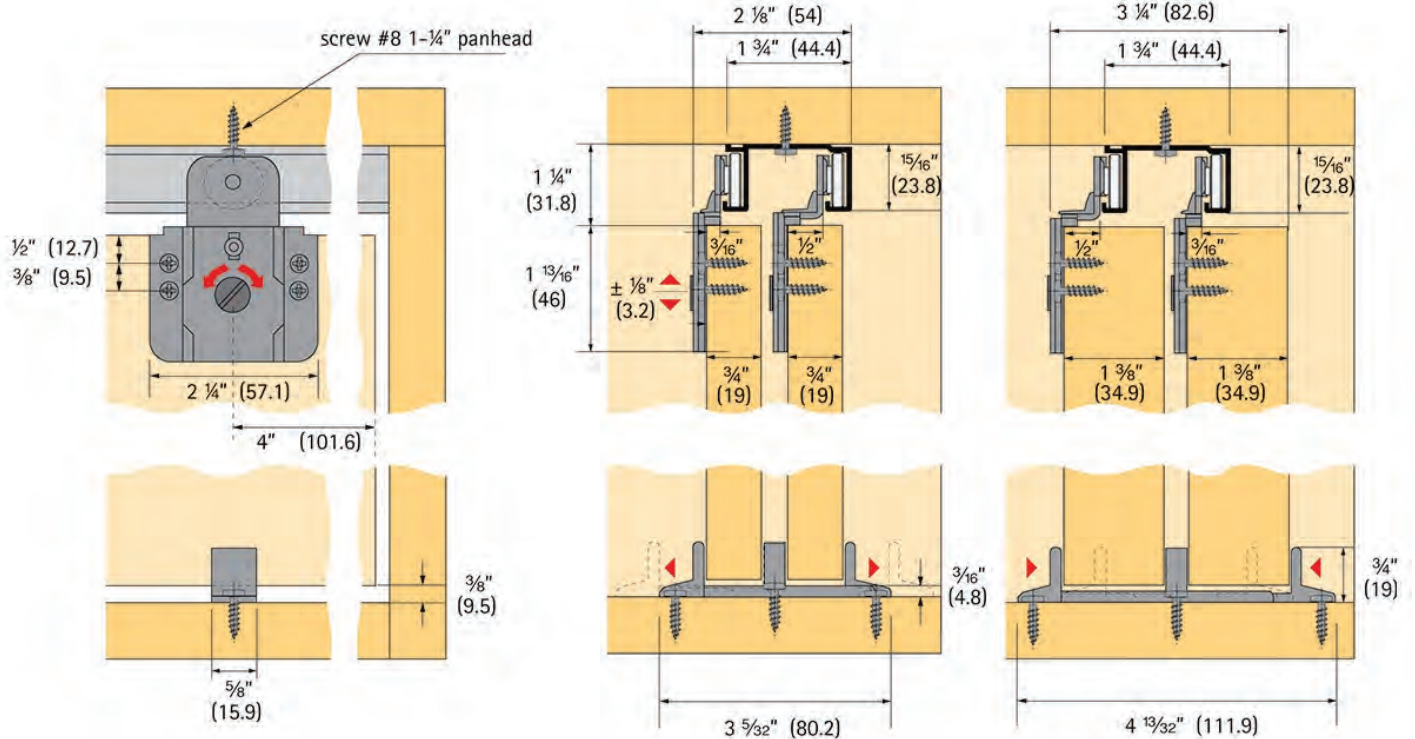
**A SLIDING DOOR HARDWARE KITS & COMPONENTS, 50 LB. CAPACITY**

**B 3/4" or 1-3/8" Thick By-Pass Door Hardware Kits & Components**

- Hettich's economy line of medium duty by-pass door sliding hardware
- Applications include doors between rooms, closet doors, cabinets, storage walls, and partitions
- For 3/4" and 1-3/8" thick doors weighing up to 50 lbs with +/-1/8" vertical adjustment and headroom 1-1/8" min. to 1-3/8" max.
- Side mount single ball-bearing wheel carrier guarantees a smooth, quiet, long lasting performance
- Carriers have a set of mounting holes; ideal for hollow core doors
- Easy-turn cam vertical adjustment without having to remove carrier screws
- Dust free track design
- Quick door hanging by tilting pre-mounted hardware onto track profile
- Available in complete hardware kits (3 track lengths: 48", 72" and 96") or individual components
- Made in the USA



Packing & Sold In: As shown on next page.



**SLIDING DOOR HARDWARE KITS & COMPONENTS, 50 LB. CAPACITY**

**3/4" or 1-3/8" Thick By-Pass Door Hardware Kits**



**Sliding Door Kits includes:**

- Aluminum Track 48", 72" and 96"L for 2 Doors:
- (2) Single Wheel Carrier
- (2) Single Wheel Carrier
- (1) Floor Guide

**Door Hardware Kit Only includes:**

- (2) Single Wheel Carrier
- (2) Single Wheel Carrier
- (1) Floor Guide
- Screws & instructions (Does not include Aluminum Track.)

**Sliding Door Complete Kits**



3/16" Offset Single Wheel Carrier



1/2" Offset Single Wheel Carrier



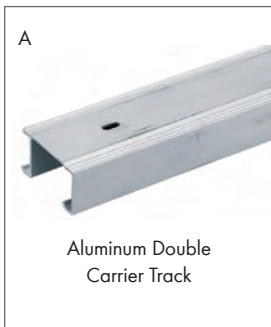
Nylon Floor Guide



Aluminum Double Carrier Track

Item #	Track Lengths
<b>Sliding Door Kit</b>	
HET1133318	48" L
HET1133320	72" L
HET1133321	96" L
<b>Door Hardware Kit Only</b>	
HET1133317	Track not included

**3/4" or 1-3/8" Thick By-Pass Door Hardware Components (sold individually)**

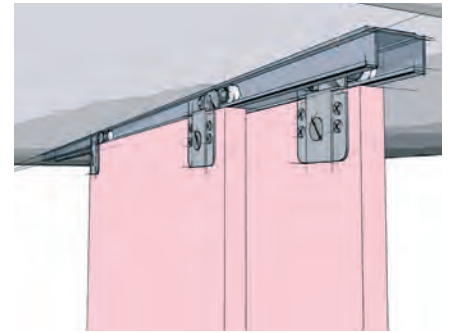


Item #	Dimensions	Component Description	Finish	
<b>Double Carrier Tracks, Recommend #8 x 1-1/4" Panhead Screws (Screws not included)</b>				
A	HET50466	1-3/4"W x 15/16"H x 48"L	4' Long Extruded Aluminum Double Carrier Track	Aluminum
	HET50468	1-3/4"W x 15/16"H x 72"L	6' Long Extruded Aluminum Double Carrier Track	Aluminum
	HET50469	1-3/4"W x 15/16"H x 96"L	8' Long Extruded Aluminum Double Carrier Track	Aluminum
	HET50470	1-3/4"W x 15/16"H x 120"L	10' Long Extruded Aluminum Double Carrier Track	Aluminum
	HET50471	1-3/4"W x 15/16"H x 144"L	12' Long Extruded Aluminum Double Carrier Track	Aluminum
	HET50472	1-3/4"W x 15/16"H x 192"L	16' Long Extruded Aluminum Double Carrier Track	Aluminum
<b>Steel Carriers – Single Wheel, Side Mounting – Includes Screws</b>				
B	HET1133333	1-13/16"W x 2-13/16"H x 2-1/4"L	3/16" Offset, Adj. Ball Bearing Nylon Wheel, w/Dual Mounting Holes	Zinc Plated
C	HET1133334	1-13/16"W x 2-13/16"H x 2-1/4"L	1/2" Offset, Adj. Ball Bearing Nylon Wheel, w/Dual Mounting Holes	Zinc Plated
<b>Nylon Floor Guide – Screws Included</b>				
D	HET50102	3-5/32" or 4-13/32"W x 1-1/8"H	Floor Guide is adjustable to fit 3/4" & 1-3/8" Thick Doors	White

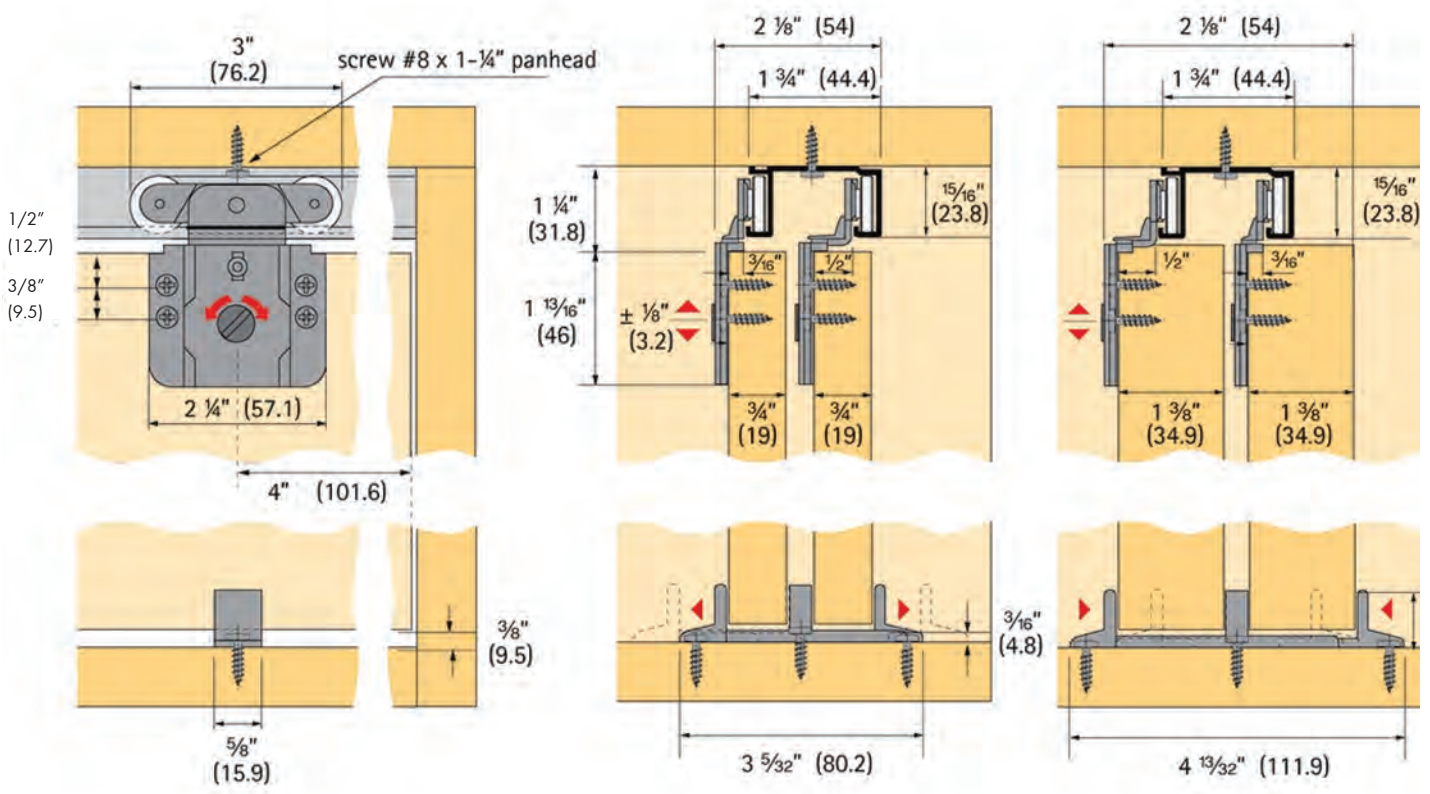
**A SLIDING DOOR HARDWARE KITS & COMPONENTS, 75 LB. CAPACITY**

**B 3/4" or 1-3/8" Thick By-Pass Door Hardware Kits & Components**

- Hettich's economy line of medium duty by-pass door sliding hardware
  - Applications include doors between rooms, closet doors, cabinets, storage walls, and partitions
  - For 3/4" and 1-3/8" thick doors weighing up to 75 lbs with +/-1/8" vertical adjustment and headroom 1-1/8" min. to 1-3/8" max.
  - Side mount double ball-bearing wheel carrier guarantees a smooth, quiet, long lasting performance
  - Pivoting rocker arms ensure track-carrier contact
  - Carriers have dual set of mounting holes; ideal for hollow core doors
  - Easy-turn cam vertical adjustment without having to remove carrier screws
  - Dust free track design
  - Quick door hanging by tilting pre-mounted hardware onto track profile
  - Available in complete hardware kits (with 48", 72" or 96" track lengths) or individual components
- Packing & Sold In: As shown on next page.



C  
D  
E  
F  
G  
H  
I  
J  
K  
L  
M  
N  
O  
P  
Q  
R  
S  
T  
U  
V  
W  
X  
Y



**SLIDING DOOR HARDWARE KITS & COMPONENTS, 75 LB. CAPACITY**

**Sliding Door Complete Kits**



3/16" Offset Double Wheel Carrier



1/2" Offset Double Wheel Carrier



Nylon Floor Guide



Aluminum Double Carrier Track

**3/4" or 1-3/8" Thick By-Pass Door Hardware Kits**

**Sliding Door Kits includes:**

Aluminum Track 48", 72" and 96"L for 2 Doors:

- (2) Single Wheel Carrier
- (2) Single Wheel Carrier
- (1) Floor Guide

**Door Hardware Kit Only includes:**

- (2) Single Wheel Carrier
- (2) Single Wheel Carrier
- (1) Floor Guide

Screws & instructions

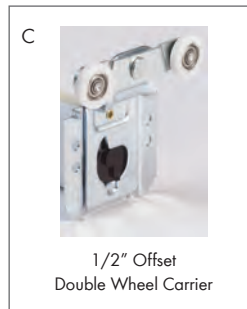
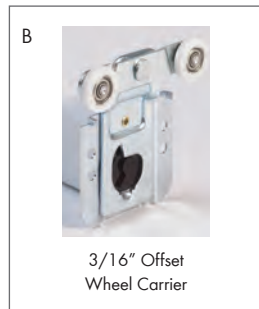
(Does not include Aluminum Track.)



Item #	Track Lengths
<b>Sliding Door Kits</b>	
HET1133326	48" L
HET1133328	72" L
HET1133329	96" L

Item #	Description
<b>Door Hardware Kit Only</b>	
HET1133325	No Track Included

**3/4" or 1-3/8" Thick By-Pass Door Hardware Components (Sold Individually)**



Item #	Dimensions	Component Description	Finish	
<b>Double Carrier Tracks – Recommend #8 x 1-1/4" Panhead Screws (Screws not included)</b>				
A	HET50466	1-3/4"W x 15/16"H x 48"L	4' Long Extruded Aluminum Double Carrier Track	Aluminum
	HET1133327	1-3/4"W x 15/16"H x 60"L	5' Long Extruded Aluminum Double Carrier Track	Aluminum
	HET50468	1-3/4"W x 15/16"H x 72"L	6' Long Extruded Aluminum Double Carrier Track	Aluminum
	HET50469	1-3/4"W x 15/16"H x 96"L	8' Long Extruded Aluminum Double Carrier Track	Aluminum
	HET50470	1-3/4"W x 15/16"H x 120"L	10' Long Extruded Aluminum Double Carrier Track	Aluminum
	HET50471	1-3/4"W x 15/16"H x 144"L	12' Long Extruded Aluminum Double Carrier Track	Aluminum
	HET50472	1-3/4"W x 15/16"H x 192"L	16' Long Extruded Aluminum Double Carrier Track	Aluminum
<b>Steel Carriers – Double Wheel, Side Mounting, Rocker Arms – Includes Screws</b>				
B	HET1133336	3/16"W x 2-13/16"H x 2-3/4"L	3/16" Offset, Adj. Ball Bearing Wheel, w/Dual Mounting Holes	Zinc Plated
C	HET1133337	1/2"W x 2-13/16"H x 2-3/4"L	1/2" Offset, Adj. Ball Bearing Wheel, w/Dual Mounting Holes	Zinc Plated
<b>Nylon Floor Guide – Screws Included</b>				
D	HET50102	3-5/32" or 4-13/32"W x 1-1/8"H	Floor Guide is Adjustable to fit both 3/4" and 1-3/8" Thick Doors	White

**A SLIDING DOOR HARDWARE KITS & COMPONENTS, 150 LB. CAPACITY**

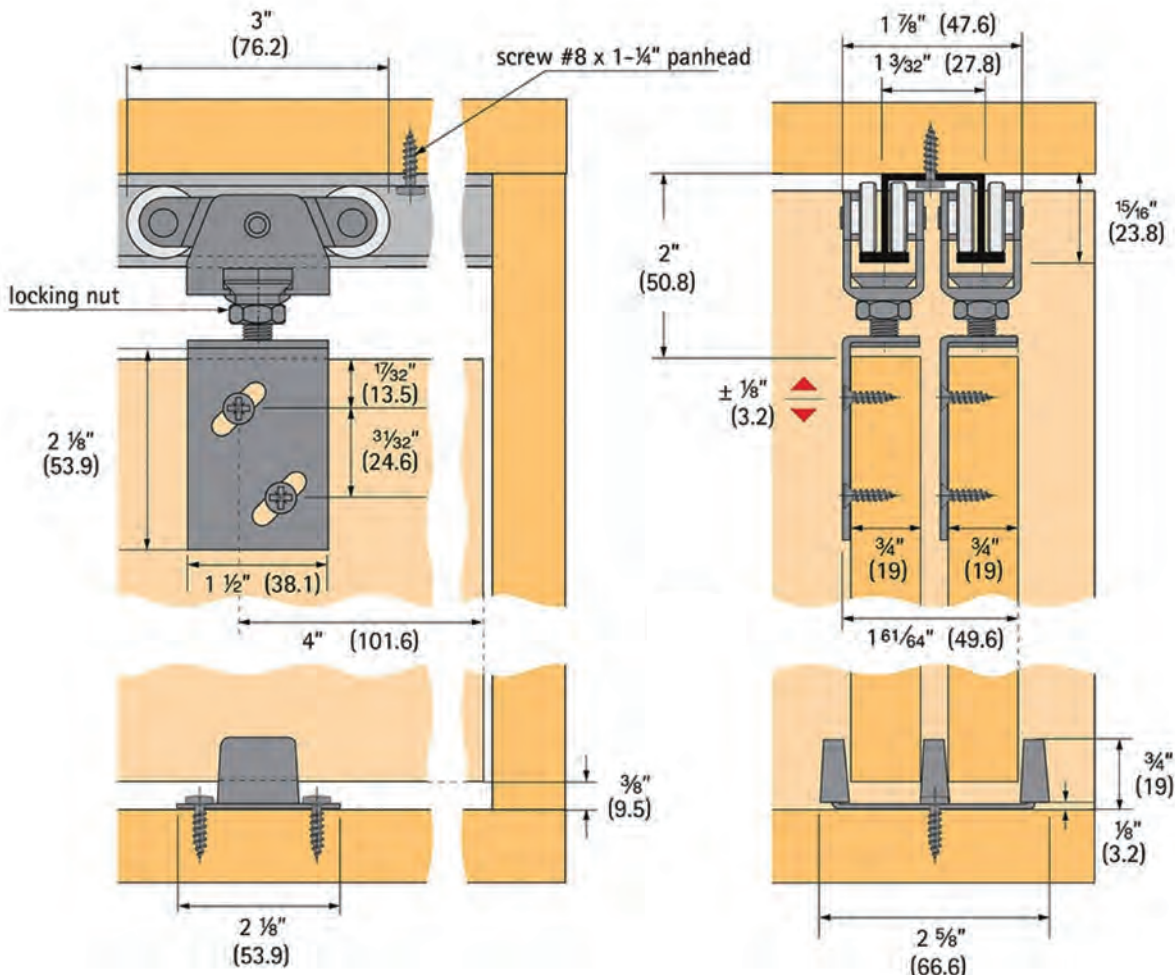
**B 3/4" Thick By-Pass Door Hardware Kits & Components, Steel Apron Mounting**



- Hettich's premium line of heavy duty by-pass door sliding hardware
- Applications include doors between rooms, closet doors, cabinets, storage walls, and partitions
- For 3/4" thick doors weighing up to 150 lbs with +/-1/8" vertical adjustment and headroom 1-7/8" minimum to 2-1/8" maximum
- Heavy duty aluminum double I-beam track with jump proof design
- Pivoting rocker arms ensure track-carrier contact
- Ball and socket suspension compensates for minor header misalignment
- Lock nut guarantees permanent positioning
- Serrations in apron permit vertical adjustment
- Side mount double ball-bearing wheel carrier guarantees a smooth, quiet, long lasting performance
- Conforms to ANSI/BHMA standards, Grade 1
- Available in complete hardware kits (with 48", 72" or 96" long tracks) or individual components



Packing & Sold In: As shown on next page.



## SLIDING DOOR HARDWARE, 150 LB. CAPACITY

### By-Pass Door Complete Kits



### 3/4" Thick By-Pass Door Hardware Kits

#### Sliding Door Kits includes:

- Aluminum Track 48", 72" and 96" L for 2 Doors
- (4) Ball Bearing Carriers
- (4) Offset Steel Apron
- (1) Floor Guide

#### Door Hardware Kit Only includes:

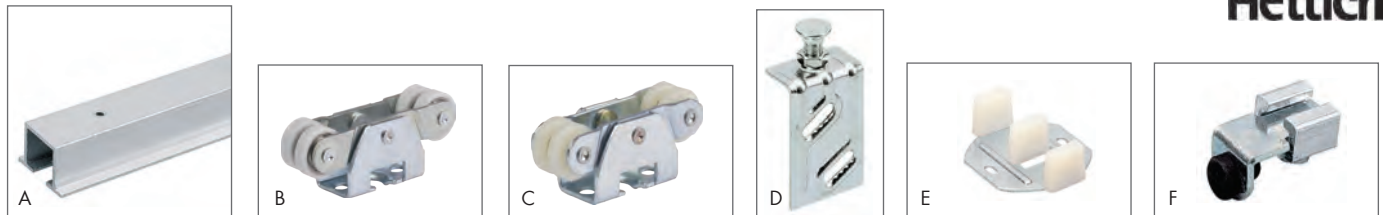
- (2) Single Wheel Carrier
- (2) Single Wheel Carrier
- (1) Floor Guide
- Includes screws & instructions
- (Does not include Aluminum Track.)



Item #	Track Lengths
<b>Sliding Door Kits</b>	
HET1133351	48" L
HET1133352	72" L
HET1133353	96" L

Item #	Description
<b>Door Hardware Kit Only</b>	
HET1133350	No Track Included

### 3/4" Thick By-Pass Door Hardware Components (Sold Individually)



	Item #	Dimensions	Component Description	Finish
<b>Double Carrier Tracks, Holes Every 11" - Recommend #8 x 1-1/4" Panhead Screws (Screws not included)</b>				
A	HET50526	1-3/32"W x 15/16"H x 48"L	4' Long Extruded Aluminum Double Carrier Track	Aluminum
	HET50527	1-3/32"W x 15/16"H x 60"L	5' Long Extruded Aluminum Double Carrier Track	Aluminum
	HET50528	1-3/32"W x 15/16"H x 72"L	6' Long Extruded Aluminum Double Carrier Track	Aluminum
	HET50529	1-3/32"W x 15/16"H x 96"L	8' Long Extruded Aluminum Double Carrier Track	Aluminum
	HET50530	1-3/32"W x 15/16"H x 120"L	10' Long Extruded Aluminum Double Carrier Track	Aluminum
	HET50531	1-3/32"W x 15/16"H x 144"L	12' Long Extruded Aluminum Double Carrier Track	Aluminum
	HET50532	1-3/32"W x 15/16"H x 192"L	16' Long Extruded Aluminum Double Carrier Track	Aluminum
<b>Steel Carriers – 4 Wheel</b>				
B	HET1133339	1-3/16"W x 27/32"H x 2-3/4"L	(Included in sets) Ball Bearing Wheels, Up to 150 lbs/door	Zinc Plated
C	HET1133338	1-3/16"W x 27/32"H x 2-3/4"L	(Optional) Steel, Nylon wheels, Up to 100 lbs/door	Zinc Plated
<b>Steel Apron – Used to Attach Door to Carrier</b>				
D	HET50563	1-1/2"W x 2-57/64"H x 3/4" Offset	Hole Diameter: 25/32" Diameter x 3/8" Depth	Zinc Plated
<b>Steel Floor Guide – Screws Included</b>				
E	HET50103	2-5/8"W x 3/4"H x 2-1/8"L	Non-Adj. for 3/4" Doors w/Nylon covered steel uprights	Zinc Plated
<b>Bumper Stop</b>				
F	HET50561	7/8"W x 1-3/16"H x 1-19/32"L	Steel, track mounted with a rubber stop	Zinc Plated

A  
B  
C  
D  
E  
F  
G  
H  
I  
J  
K  
L  
M  
N  
O  
P  
Q  
R  
S  
T  
U  
V  
W  
X  
Y

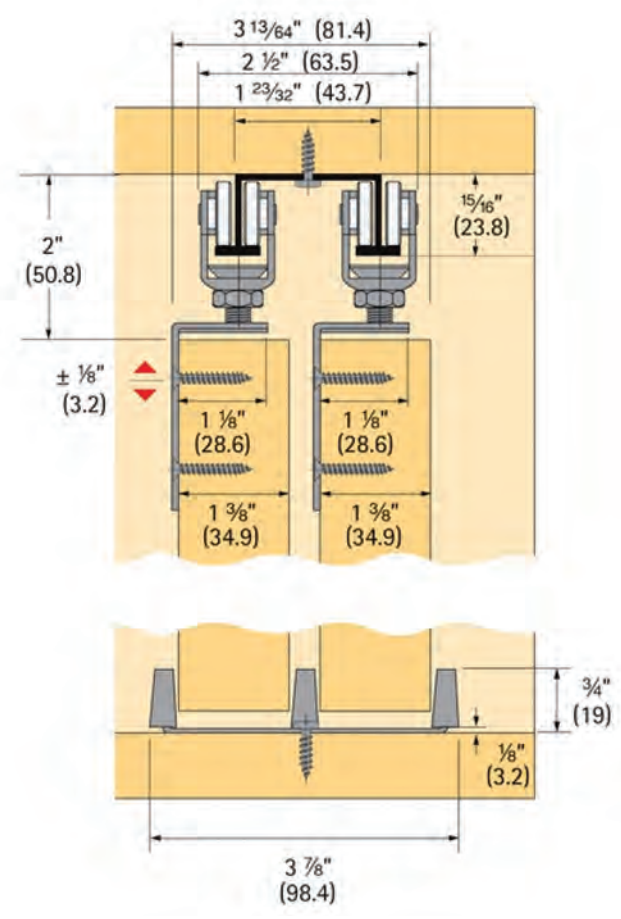
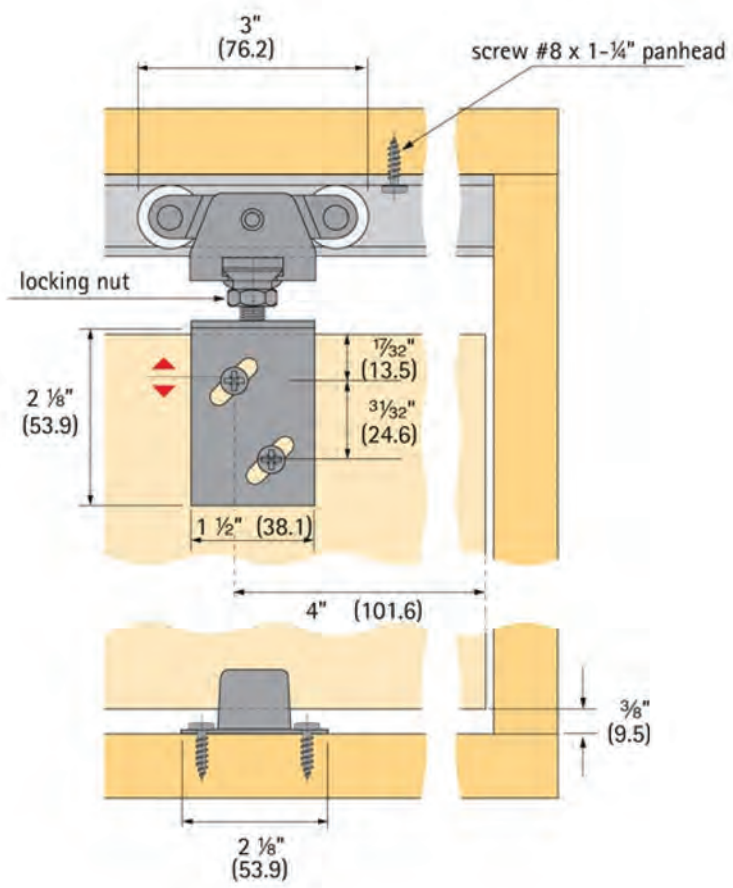
**A SLIDING DOOR HARDWARE, 150 LB. CAPACITY**

**B 1-3/8" By-Pass Thick Door Hardware Kits & Components**

- Hettich's premium line of medium duty by-pass door sliding hardware
- Applications include doors between rooms, closet doors, cabinets, storage walls, and partitions
- For 1-3/8" thick doors weighing up to 150 lbs with +/-1/8" vertical adjustment and headroom 1-7/8" minimum to 2-1/8" maximum
- Heavy duty aluminum double I-beam track has jump proof design
- Pivoting rocker arms ensure track-carrier contact
- Ball and socket suspension compensates for minor header misalignment
- Lock nut guarantees permanent positioning
- Serrations in apron permit vertical adjustment
- Side mount double ball-bearing wheel carrier guarantees a smooth, quiet and long lasting performance
- Conforms to ANSI/BHMA standards, Grade 1



Packing & Sold In: As shown on next page.





**SLIDING DOOR HARDWARE, 150 LB. CAPACITY**

**By-Pass Door Complete Kits**



Ball Bearing, 4-Wheel Carrier

1-1/8" Offset Steel Apron

Steel Floor Guide

Aluminum Double Carrier Track

**1-3/8" Thick By-Pass Door Hardware Kits**

**Sliding Door Kits includes:**

- Aluminum Track 48", 72" and 96"L for 2 Doors
- (4) Ball Bearing Carriers
- (4) Offset Steel Apron
- (1) Floor Guide

**Door Hardware Kit Only includes:**

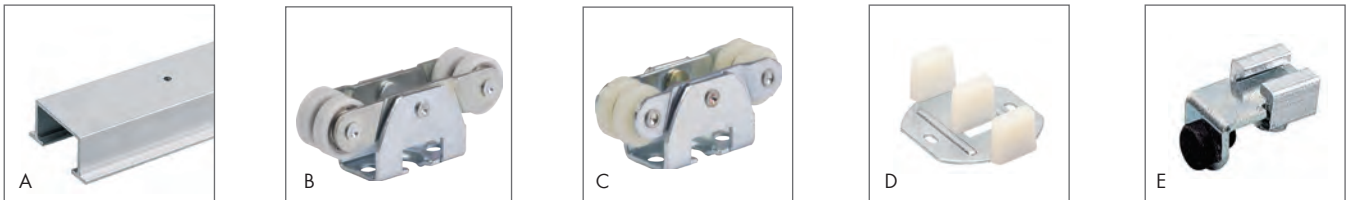
- (4) Ball Bearing Carriers
- (4) Offset Steel Apron
- (1) Floor Guide
- Includes screws & instructions
- (Does not include Aluminum Track.)



Item #	Track Lengths
<b>Sliding Door Kits</b>	
HET1133364	48" L
HET1133365	60" L
HET1133366	72" L
HET1133368	96" L

Item #	Description
<b>Door Hardware Kit Only</b>	
HET1133363	No Track Included

**1-3/8" Thick By-Pass Door Hardware Components (Sold Individually)**



	Item #	Dimensions	Description	Finish
<b>Double Carrier Tracks, Holes Every 11" - Screws not Included, Recommend #8 x 1-1/4" Panhead Screws</b>				
A	HET50533	1-23/32"W x 15/16"H x 48"L	4' Long Extruded Aluminum Double Carrier Track	Aluminum
	HET50534	1-23/32"W x 15/16"H x 60"L	5' Long Extruded Aluminum Double Carrier Track	Aluminum
	HET50535	1-23/32"W x 15/16"H x 72"L	6' Long Extruded Aluminum DoubleCarrier Track	Aluminum
	HET50536	1-23/32"W x 15/16"H x 96"L	8' Long Extruded Aluminum Double Carrier Track	Aluminum
	HET50537	1-23/32"W x 15/16"H x 120"L	10' Long Extruded Aluminum Double Carrier Track	Aluminum
	HET50538	1-23/32"W x 15/16"H x 144"L	12' Long Extruded Aluminum Double Carrier Track	Aluminum
	HET50539	1-23/32"W x 15/16"H x 192"L	16' Long Extruded Aluminum Double Carrier Track	Aluminum
<b>Steel Carriers – Four Wheel</b>				
B	HET1133339	1-3/16"W x 27/32"H x 2-3/4"L	(Included in Sets), Ball Bearing Wheels, Up to 150 lbs/door	Zinc Plated
C	HET1133338	1-3/16"W x 27/32"H x 2-3/4"L	(Optional), Nylon wheels, Up to 100 lbs/door	Zinc Plated
<b>Steel Floor Guide – Screws Included</b>				
D	HET50104	2-1/2"W x 3/4"H x 3-7/8"L	For 1-3/8" Doors w/Nylon covered steel uprights	Zinc Plated
<b>Bumper Stop</b>				
E	HET50561	7/8"W x 1-3/16"H x 1-19/32"L	Steel, Track mounted with a rubber stop	Zinc Plated

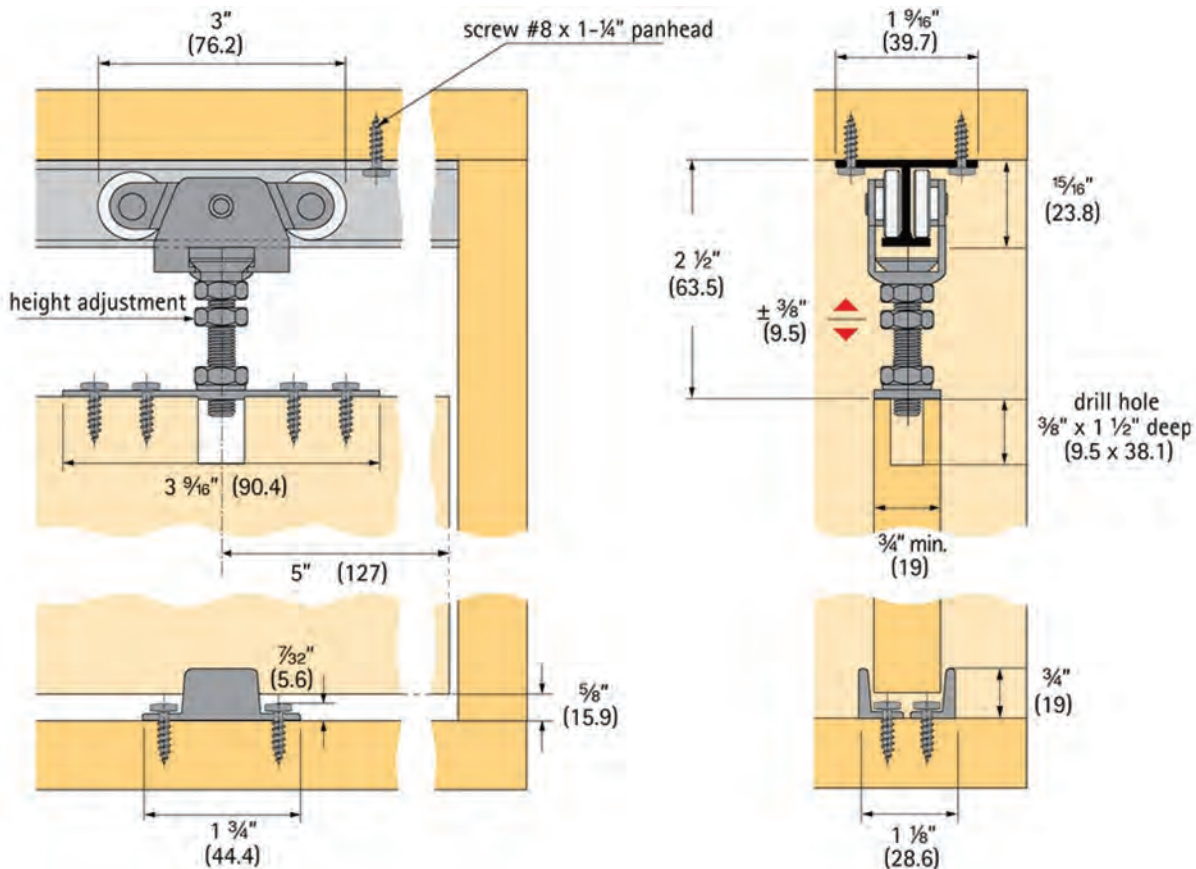
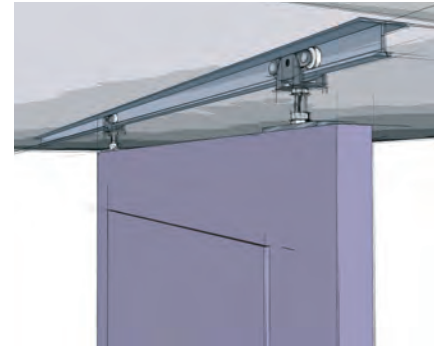
**A SLIDING DOOR HARDWARE, 150 LB. CAPACITY**

**B 3/4" Thick Single Door Hardware Kits & Components, Top Plate Mounting**



- Hettich's premium line of heavy duty joining door sliding hardware
- Applications include doors between rooms, closet doors, cabinets, storage walls, and partitions
- For 3/4" thick doors weighing up to 150 lbs with +/- 3/8" vertical adjustment and headroom 2-1/8" minimum to 2-7/8" maximum
- Heavy duty aluminum single I-beam track has jump proof design
- Pivoting rocker arms ensure track-carrier contact
- Ball and socket suspension compensates for minor header misalignment
- Lock nut guarantees permanent positioning
- Vertical adjustment + 3/8" (9.5 mm)
- Conforms to ANSI/BHMA standards, Grade 1
- Available in complete hardware kits (with 48", 60", 72" and 96" long tracks) or individual components

Packing & Sold In: As shown on next page.



## SLIDING DOOR HARDWARE, 150 LB. CAPACITY

### Joining Door Complete Kits



Ball Bearing,  
4-Wheel Carrier



Pendant Bolt  
with Top Plate



Steel Floor Guide



Aluminum  
"1" Beam Track

### 3/4" Thick Joining Door Hardware Kits

#### Sliding Door Kits includes:

- Aluminum Track 48", 60" 72", 96"L for 1 Door
- (2) Ball Bearing Carriers
- (2) Pendant Bolt Top Plates
- (1) Steel Floor Guide

#### Door Hardware Kit Only includes:

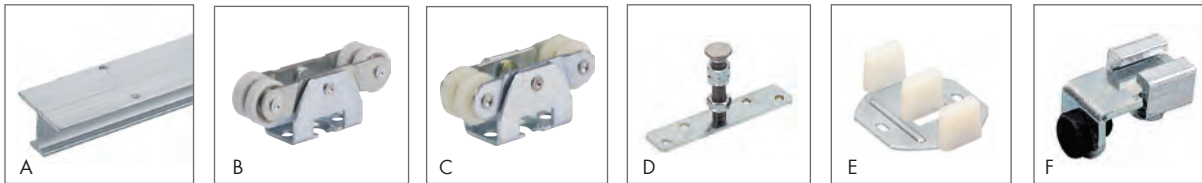
- (4) Ball Bearing Carriers
- (4) Pendant Bolt Top Plates
- (1) Floor Guide
- Includes screws & instructions
- (Does not include Aluminum Track.)



Item #	Track Lengths
<b>Complete Sliding Door Kits</b>	
HET1133346	48" L
HET1133347	60" L
HET1133348	72" L
HET1133349	96" L

Item #	Description
<b>Door Hardware Kit Only</b>	
HET1133345	No Track Included, For 2 Doors

### 3/4" Thick Joining Door Hardware Components (Sold Individually)



Item #	Dimensions	Description	Finish	
<b>Double Carrier Tracks, Holes at Every 11" - Screws not Included, Recommend #8 x 1-1/4" Panhead Screws</b>				
A	HET50519	1-3/32"W x 15/16"H x 48"L	4' Long Extruded Aluminum Double "I" Beam Track	Aluminum
	HET50520	1-3/32"W x 15/16"H x 60"L	5' Long Extruded Aluminum Double "I" Beam Track	Aluminum
	HET50521	1-3/32"W x 15/16"H x 72"L	6' Long Extruded Aluminum Double "I" Beam Track	Aluminum
	HET50522	1-3/32"W x 15/16"H x 96"L	8' Long Extruded Aluminum Double "I" Beam Track	Aluminum
	HET50523	1-3/32"W x 15/16"H x 120"L	10' Long Extruded Aluminum Double "I" Beam Track	Aluminum
	HET50524	1-3/32"W x 15/16"H x 144"L	12' Long Extruded Aluminum Double "I" Beam Track	Aluminum
	HET50525	1-3/32"W x 15/16"H x 192"L	16' Long Extruded Aluminum Double "I" Beam Track	Aluminum
<b>Steel Carriers – Four Wheel</b>				
B	HET1133339	1-3/16"W x 27/32"H x 2-3/4"L	(Included in sets), Ball Bearing Wheels, Up to 150 lbs/door	Zinc Plated
C	HET1133338	1-3/16"W x 27/32"H x 2-3/4"L	(Optional), Nylon wheels, Up to 100 lbs/door	Zinc Plated
<b>Steel Pendant Bolt With Top Plate – Used to Attach Door to Carrier – Screws Included</b>				
D	HET50566	3/4"W x 1-3/4"H x 3-9/16" L	Top Plate, adjustable +/-3/8", installed on top of the door	Zinc Plated
<b>Steel Floor Guide – Screws Included</b>				
E	HET50103	2-5/8"W x 3/4"H x 2-1/8"L	For 3/4" Doors w/Nylon covered steel uprights	Zinc Plated
<b>Bumper Stop</b>				
F	HET50561	7/8"W x 1-3/16"H x 1-19/32"L	Steel, track mounted with a rubber stop	Zinc Plated

**A ROLLING LIBRARY LADDERS**

A  
B  
C  
D  
E  
F  
G  
H  
I  
J  
K  
L  
M  
N  
O  
P  
Q  
R  
S  
T  
U  
V  
W  
X  
Y



**Rolling Ladder Hardware Kits**



Each kit includes:

- 2 Top Rollers
- 2 Bottom Wheels
- 7 Rung Support Rods (enough for 8' ladder)
- All Necessary Fasteners

**Top Roller Styles:**



**Standard Roller**  
Consists of a top and bottom wheel, keeping the ladder fixed onto the rail.



**Rolling Hook**  
Has only one wheel on the top, so the ladder can be removed easily.

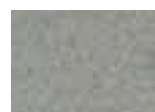


**Swivel Roller**  
Features a built-in swivel, which allows the ladder to be used on curved rails.

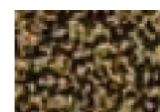
**Finishes:**



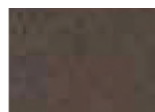
Black



Satin Nickel



Hammered Antique Brass\*



Oil Rubbed Bronze



Chrome

\*Patterns may vary

**Top Hook Styles:**



**Single Adjustable Hook**  
Has one hook on the top. The base is adjustable for easy storage.



**Double Hook**  
Cost effective alternative. The top hook is for when the ladder is in use and bottom hook is for stow-away.

NOTE: All items are non-stock. Ship direct from manufacturer.

**ROLLING LIBRARY LADDERS**

**1A SELECT A TOP & BOTTOM LADDER END KIT**



**Standard Wheel with Standard Roller Kits**



**Contemporary Wheel with Standard Roller Kits**



**Brake Wheel with Standard Roller Kits**

Item #	Width	Color
CSHQQ.200.02	16"	Satin Nickel
CSHQQ.200.03	16"	Hamm. Antique Brass
CSHQQ.200.07	16"	Oil Rubbed Bronze
CSHQQ.200.08	16"	Black
CSHQQ2002002	20"	Satin Nickel
CSHQQ2002003	20"	Hamm. Antique Brass
CSHQQ2002007	20"	Oil Rubbed Bronze
CSHQQ2002008	20"	Black

Item #	Width	Color
CSHQQ.220.02	16"	Satin Nickel
CSHQQ.220.03	16"	Hamm. Antique Brass
CSHQQ.220.07	16"	Oil Rubbed Bronze
CSHQQ.220.08	16"	Black
CSHQQ2202002	20"	Satin Nickel
CSHQQ2202003	20"	Hamm. Antique Brass
CSHQQ2202007	20"	Oil Rubbed Bronze
CSHQQ2202008	20"	Black

Item #	Width	Color
CSHQQ.210.02	16"	Satin Nickel
CSHQQ.210.03	16"	Hamm. Antique Brass
CSHQQ.210.04	16"	Chrome
CSHQQ.210.07	16"	Oil Rubbed Bronze
CSHQQ.210.08	16"	Black
CSHQQ2102002	20"	Satin Nickel
CSHQQ2102003	20"	Hamm. Antique Brass
CSHQQ.210.20.04	20"	Chrome
CSHQQ2102007	20"	Oil Rubbed Bronze
CSHQQ2102008	20"	Black



**Standard Wheel with Rolling Hook Kits**



**Contemporary Wheel with Rolling Hook Kits**



**Brake Wheel with Rolling Hook Kits**

Item #	Width	Color
CSHQQ.500.02	16"	Satin Nickel
CSHQQ.500.03	16"	Hamm. Antique Brass
CSHQQ.500.07	16"	Oil Rubbed Bronze
CSHQQ.500.08	16"	Black
CSHQQ5002002	20"	Satin Nickel
CSHQQ5002003	20"	Hamm. Antique Brass
CSHQQ5002007	20"	Oil Rubbed Bronze
CSHQQ5002008	20"	Black

Item #	Width	Color
CSHQQ.520.02	16"	Satin Nickel
CSHQQ.520.03	16"	Hamm. Antique Brass
CSHQQ.520.07	16"	Oil Rubbed Bronze
CSHQQ.520.08	16"	Black
CSHQQ5202002	20"	Satin Nickel
CSHQQ5202003	20"	Hamm. Antique Brass
CSHQQ5202007	20"	Oil Rubbed Bronze
CSHQQ5202008	20"	Black

Item #	Width	Color
CSHQQ.510.02	16"	Satin Nickel
CSHQQ.510.03	16"	Hamm. Antique Brass
CSHQQ.510.04	16"	Chrome
CSHQQ.510.07	16"	Oil Rubbed Bronze
CSHQQ.510.08	16"	Black
CSHQQ5102002	20"	Satin Nickel
CSHQQ5102003	20"	Hamm. Antique Brass
CSHQQ.510.20.04	20"	Chrome
CSHQQ5102007	20"	Oil Rubbed Bronze
CSHQQ5102008	20"	Black



**Standard Wheel with Swivel Roller Kits**



**Contemporary Wheel with Swivel Roller Kits**



**Brake Wheel with Swivel Roller Kits**

Item #	Width	Color
CSHQQ.700.02	16"	Satin Nickel
CSHQQ.700.03	16"	Hamm. Antique Brass
CSHQQ.700.07	16"	Oil Rubbed Bronze
CSHQQ.700.08	16"	Black
CSHQQ7002002	20"	Satin Nickel
CSHQQ7002003	20"	Hamm. Antique Brass
CSHQQ7002007	20"	Oil Rubbed Bronze
CSHQQ7002008	20"	Black

Item #	Width	Color
CSHQQ.720.02	16"	Satin Nickel
CSHQQ.720.03	16"	Hamm. Antique Brass
CSHQQ.720.07	16"	Oil Rubbed Bronze
CSHQQ.720.08	16"	Black
CSHQQ7202002	20"	Satin Nickel
CSHQQ7202003	20"	Hamm. Antique Brass
CSHQQ7202007	20"	Oil Rubbed Bronze
CSHQQ7202008	20"	Black

Item #	Width	Color
CSHQQ.710.02	16"	Satin Nickel
CSHQQ.710.03	16"	Hamm. Antique Brass
CSHQQ.710.07	16"	Oil Rubbed Bronze
CSHQQ.710.08	16"	Black
CSHQQ7102002	20"	Satin Nickel
CSHQQ7102003	20"	Hamm. Antique Brass
CSHQQ7102007	20"	Oil Rubbed Bronze
CSHQQ7102008	20"	Black

NOTE: All items are non-stock. Ship direct from manufacturer.

A  
B  
C  
D  
E  
F  
G  
H  
I  
J  
K  
L  
M  
N  
O  
P  
Q  
R  
S  
T  
U  
V  
W  
X  
Y

**ROLLING LIBRARY LADDERS**

**1B OR SELECT INDIVIDUAL TOP & BOTTOM COMPONENTS**



If you would prefer to choose individual ladder components instead of an entire kit, you will need to purchase individual support rods.



**Standard Top Roller Guide**  
(Sold Individually)

The standard roller consists of top and bottom wheels, keeping your ladder fixed onto the rail. Includes all necessary hardware.

Item #	Color
CSHLL.TRGUIDE.02	Satin Nickel
CSHLL.TRGUIDE.03	Hamm. Antique Brass
CSHLL.TRGUIDE.04	Chrome
CSHLL.TRGUIDE.07	Oil Rubbed Bronze
CSHLL.TRGUIDE.08	Black



**Rolling Hook Top Guide**  
(Sold Individually)

The rolling hook guide has one top wheel that allows for easy rolling and easy removal. Includes installation hardware.

Item #	Color
CSHLL.RHGUIDE.02	Satin Nickel
CSHLL.RHGUIDE.03	Hamm. Antique Brass
CSHLL.RHGUIDE.04	Chrome
CSHLL.RHGUIDE.07	Oil Rubbed Bronze
CSHLL.RHGUIDE.08	Black



**Swivel Top Roller Guide**  
(Sold Individually)

This roller guide has a built-in swivel, allowing the ladder to glide along curved rails. Includes installation hardware.

Item #	Color
CSHLL.SWGUIDE.02	Satin Nickel
CSHLL.SWGUIDE.03	Hamm. Antique Brass
CSHLL.SWGUIDE.07	Oil Rubbed Bronze
CSHLL.SWGUIDE.08	Black



**Single Adjustable Hook Top Guide**  
(Sold Individually)

Only compatible with the Non-Skid Foot assembly. Includes installation hardware.

Item #	Color
CSHLL.THGUIDE.02	Satin Nickel
CSHLL.THGUIDE.03	Hamm. Antique Brass
CSHLL.THGUIDE.07	Oil Rubbed Bronze
CSHLL.THGUIDE.08	Black



**Double Hook Top Guide**  
(Sold Individually)

Only compatible with the Non-Skid Foot assembly. Includes hardware.

Item #	Color
CSHLL.DHGUIDE.02	Satin Nickel
CSHLL.DHGUIDE.07	Oil Rubbed Bronze
CSHLL.DHGUIDE.08	Black



**Standard Ladder Wheel Assembly**  
(Sold Individually)

Includes installation hardware.

Item #	Color
CSHLL.WHEELASB.02	Satin Nickel
CSHLL.WHLASSB.03	Hamm. Antique Brass
CSHLL.WHLASSB.07	Oil Rubbed Bronze
CSHLL.WHLASSB.08	Black



**Contemporary Ladder Wheel Assembly**  
(Sold Individually)

Includes installation hardware.

Item #	Color
CSHLL.WHLASB01.02	Satin Nickel
CSHLL.WHASB01.03	Hamm. Antique Brass
CSHLL.WHLASB01.07	Oil Rubbed Bronze
CSHLL.WHLASB01.08	Black



**Brake Ladder Wheel Assembly**  
(Sold Individually)

Includes installation hardware.

Item #	Color
CSHLL.WHLASBBK.02	Satin Nickel
CSHLL.WHLASBBK.03	Hamm. Antique Brass
CSHLL.WHLASBBK.04	Chrome
CSHLL.WHLASBBK.07	Oil Rubbed Bronze
CSHLL.WHLASBBK.08	Black



**Non-Skid Foot Assembly**  
(Sold Individually)

Compatible with any top guide. Includes installation hardware.

Item #	Color
CSHLL.NSFOOT.02	Satin Nickel
CSHLL.NSFOOT.07	Oil Rubbed Bronze
CSHLL.NSFOOT.08	Black

**Non-Rolling Kits**

Moveable ladder that does not roll. Comes with 7 step supports (enough for 8' ladder)



**Non-Skid Foot with Single Adjustable Hook Kits**

Item #	Width	Color
CSHQG.330.02	16"	Satin Nickel
CSHQG.330.07	16"	Oil Rubbed Bronze
CSHQG.330.08	16"	Black
CSHQG.330.20.02	20"	Satin Nickel
CSHQG.330.20.07	20"	Oil Rubbed Bronze
CSHQG.330.20.08	20"	Black



**Non-Skid Foot with Double Hook Kits**

Item #	Width	Color
CSHQG.130.02	16"	Satin Nickel
CSHQG.130.07	16"	Oil Rubbed Bronze
CSHQG.130.08	16"	Black
CSHQG.130.20.02	20"	Satin Nickel
CSHQG.130.20.07	20"	Oil Rubbed Bronze
CSHQG.130.20.08	20"	Black

NOTE: All items are non-stock. Ship direct from manufacturer.

**ROLLING LIBRARY LADDERS**

**2 SELECT A WOOD LADDER**



**Top-Turned Rungs**

When building your own ladder, these top-turned rungs are a nice addition. Already included with "in-stock" ladders.

**Standard 16" Ladder**

Original Rolling Library Ladder. Great for tight spaces.

**Standard 20" Ladder**

A wider ladder for added stability, space and comfort.

Item #	Wood Species
<b>8' Ladder</b>	
CSHQQ.6008.CH	Cherry
CSHQQ.6008.MA	Maple
CSHQQ.6008.RO	Red Oak
CSHQQ.6008.WA	Walnut
<b>9' Ladder</b>	
CSHQQ.6009.CH	Cherry
CSHQQ.6009.MA	Maple
CSHQQ.6009.RO	Red Oak
CSHQQ.6009.WA	Walnut
<b>10' Ladder</b>	
CSHQQ.6010.CH	Cherry
CSHQQ.6010.MA	Maple
CSHQQ.6010.RO	Red Oak
CSHQQ.6010.WA	Walnut

Item #	Wood Species
<b>8' Ladder</b>	
CSHQQ600820CH	Cherry
CSHQQ600820MA	Maple
CSHQQ600820RO	Red Oak
CSHQQ600820WA	Walnut
<b>9' Ladder</b>	
CSHQQ600920CH	Cherry
CSHQQ600920MA	Maple
CSHQQ600920RO	Red Oak
<b>10' Ladder</b>	
CSHQQ601020CH	Cherry
CSHQQ601020MA	Maple
CSHQQ601020RO	Red Oak

**Steam-Bent Solid Wood Hand Rails**

Unfinished, sanded to 120-grit and has pre-drilled assembly holes. Sold in pairs. Specify for Black or Satin Nickel fasteners (included).

Item #	Wood Species
CSHQQ.6309.CH	Cherry
CSHQQ.6309.HC	Hickory
CSHQQ.6309.MA	Maple
CSHQQ.6309.RO	Red Oak
CSHQQ.6309.WA	Walnut



**Additional Step Supports - for Custom Ladders and Ladders over 8'**

These additional step support rods are only needed when ordering Quiet Glide ladders over 8' tall. If you're building your own ladder, use one support rod per step. Fasteners are included.

Item #	Finish	Width
CSHQQ.620.02	Satin Nickel	16"
CSHQQ6202002	Satin Nickel	20"
CSHQQ.620.04	Chrome	16"
CSHQQ.620.20.04	Chrome	20"
CSHQQ.620.08	Black	16"
CSHQQ6202008	Black	20"

Item #	Finish	Width
CSHQQ.610.AD	Alder	16"
CSHQQ.610-20.AD	Alder	20"
CSHQQ.610.AS	Ash	16"
CSHQQ.610-20.AS	Ash	20"
CSHQQ.610.CH	Cherry	16"
CSHQQ.610-20.CH	Cherry	20"
CSHQQ.610.HC	Hickory	16"
CSHQQ.610-20.HC	Hickory	20"
CSHQQ.610.MG	Mahogany	16"
CSHQQ.610-20.MG	Mahogany	20"
CSHQQ.610.MA	Maple	16"
CSHQQ.610-20.MA	Maple	20"
CSHQQ.610.PN	Pine	16"
CSHQQ.610-20.PN	Pine	20"
CSHQQ.610.RO	Red Oak	16"
CSHQQ.610-20.RO	Red Oak	20"
CSHQQ.610.WA	Walnut	16"
CSHQQ.610-20.WA	Walnut	20"



**Non-Skid Tread For Ladder Steps**

Measures 3" x 13" with 1/4" radius corners. Should be installed after the ladder is finished.

Item #	Color
CSHQQ.61	Clear



NOTE: All items are non-stock. Ship direct from manufacturer.

A  
B  
C  
D  
E  
F  
G  
H  
I  
J  
K  
L  
M  
N  
O  
P  
Q  
R  
S  
T  
U  
V  
W  
X  
Y

**ROLLING LIBRARY LADDERS**

**3 SELECT RAIL COMPONENTS**



**Straight Rail - Three Different Lengths**

Item #	Length	Finish
CSHQG.4004.02	4' L	Satin Nickel
CSHQG.4004.03	4' L	Hamm. Ant. Brass
CSHQG.4004.04	4' L	Chrome
CSHQG.4004.07	4' L	Oil Rub Bronze
CSHQG.4004.08	4' L	Black

Item #	Length	Finish
CSHQG.4006.02	6' L	Satin Nickel
CSHQG.4006.03	6' L	Hamm. Ant. Brass
CSHQG.4006.04	6' L	Chrome
CSHQG.4006.07	6' L	Oil Rub Bronze
CSHQG.4006.08	6' L	Black

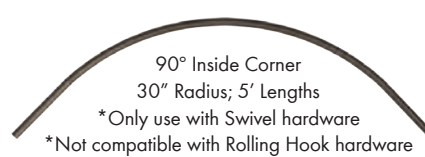
Item #	Length	Finish
CSHQG.4008.02	8' L	Satin Nickel
CSHQG.4008.03	8' L	Hamm. Ant. Brass
CSHQG.4008.07	8' L	Oil Rub Bronze
CSHQG.4008.08	8' L	Black

**135-Degree Curved Rail\***



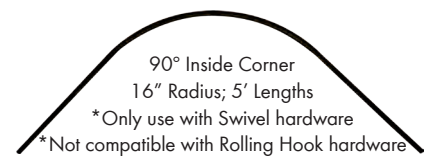
Item #	Finish
CSHQG.40CRV135.02	Satin Nickel
CSHQG.40CRV135.03	Hamm. Ant. Brass
CSHQG.40CRV135.07	Oil Rubbed Bronze
CSHQG.40CRV135.08	Black

**90-Degree Curved Rail\***



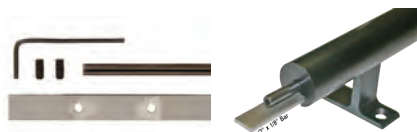
Item #	Finish
CSHQG.40CRV.02	Satin Nickel
CSHQG.40CRV.03	Hamm. Ant. Brass
CSHQG.40CRV.07	Oil Rubbed Bronze
CSHQG.40CRV.08	Black

**90-Degree Curved Rail\***



Item #	Finish
CSHQG.40CRV16.02	Satin Nickel
CSHQG.40CRV16.03	Hamm. Ant. Brass
CSHQG.40CRV16.07	Oil Rubbed Bronze
CSHQG.40CRV16.08	Black

**Splice Kit for Joining Round Rails Together**



Item #	Size
CSHQG.41	1/2" x 1/8" Bar

**Standard End Cap Kit for Round Rails**

Made out of solid steel. Each kit includes 2 caps (1-1/4" dia.) and 2 fastening bolts (1/4" #20 x 18mm)



Item #	Finish
CSHQG.40.02	Satin Nickel
CSHQG.40.03	Hammered Antique Brass
CSHQG.40.04	Chrome
CSHQG.40.07	Oil Rubbed Bronze
CSHQG.40.08	Black

**Ball End Cap Kit for Round Rails**

Made of solid steel. Each kit includes 2 caps (1-1/4" dia.) and 2 fastening bolts (1/4" #20 x 18mm)



Item #	Finish
CSHQG.401.02	Satin Nickel
CSHQG.401.03*	Hammered Antique Brass
CSHQG.401.07	Oil Rubbed Bronze
CSHQG.401.08	Black

**Thread Tap Accessory**

Accessory used to make threads at the end of rails for end caps.



Item #	Size
CSHQGTAP1420	1/4" x 20 Tap

**End Cover Kit for Chrome Rails**

Made with solid steel and plated Chrome. For use when cutting chrome rails to conceal chipping. Each kit includes 2 caps and 2 fastening bolts (1/4" #20 x 18mm)

Item #	Finish
CSHQG.403.04	Chrome

NOTE: All items are non-stock. Ship direct from manufacturer.



**ROLLING LIBRARY LADDERS**

**3 SELECT RAIL COMPONENTS**



**Wall-Mounting Bracket for Round Rails**

Choose brackets, based on the top roller choice you made (in Step 1). Sold as each. Screws are included.

**Vertical Rolling/Swivel Bracket**



For use with Standard Top Rollers and Swivel Rollers.

Item #	Finish
CSHQG.201.02	Satin Nickel
CSHQG.201.03	Hammered Antique Brass
CSHQG.201.04	Chrome
CSHQG.201.07	Oil Rubbed Bronze
CSHQG.201.08	Black

**Vertical Rolling Hook Bracket**



For use with Rolling Hook Top Rollers.

Item #	Finish
CSHQG.301.02	Satin Nickel
CSHQG.301.03	Hammered Antique Brass
CSHQG.301.04	Chrome
CSHQG.301.07	Oil Rubbed Bronze
CSHQG.301.08	Black

**Horizontal Rolling/Swivel Bracket**



For use with Standard Top Rollers and Swivel Rollers.

Item #	Finish
CSHQG.202.02	Satin Nickel
CSHQG.202.03	Hammered Antique Brass
CSHQG.202.04	Chrome
CSHQG.202.07	Oil Rubbed Bronze
CSHQG.202.08	Black

**Horizontal Rolling/Swivel Bracket**



For use with Rolling Hook Top Rollers.

Item #	Finish
CSHQG.302.02	Satin Nickel
CSHQG.302.03	Hammered Antique Brass
CSHQG.302.04	Chrome
CSHQG.302.07	Oil Rubbed Bronze
CSHQG.302.08	Black

These brackets are used to mount the round rail to the wall. You will need 1 bracket for every 32" or 4 brackets for an 8' rail. Wall brackets must be mounted securely into studs.

**NOTE:** All items are non-stock. Ship direct from manufacturer.

A  
B  
C  
D  
E  
F  
G  
H  
I  
J  
K  
L  
M  
N  
O  
P  
Q  
R  
S  
T  
U  
V  
W  
X  
Y

**A WALL BED & HIDDEN DOOR HINGE KITS**

A  
B  
C  
D  
E  
F  
G  
H  
I  
J  
K  
L  
M  
N  
O  
P  
Q  
R  
S  
T  
U  
V  
W  
X  
Y



**Vertical Wall Bed Mechanism Kits**



- All components are designed and produced in Europe
- Patented, reliable, safe, spring powered counter balance
- Tested to last over 10,000 continuous open/close cycles
- Springs and moving parts are enclosed in a thick 12 Ga. steel enclosure
- No exposed springs to break and fly about the room, no gas pistons to fail
- Adjustable tension for finger tip operation
- Sold per each kit

Item #	Bed Size	Lbs	Mount
SYXSM90	Twin/Single	110	Exposed
SYXSMVO5475I	Double/Full	165	Concealed
SYXSMVO5475X	Double/Full	165	Exposed
SYXSMVO54110I	Queen	240	Concealed
SYXSMVO54110X	Queen	240	Exposed



**Included in Bed Mechanism Kit:**

- A. Adjustable right/left counter balance mechanism
  - B. Pivot mounting mechanism plates
  - C. Right/left pivoting legs
  - D. Hardware fasteners
- NOTE: Mattress, bed frame and cabinetry are not included.

**Hidden Door Hinge Kits**



- Patented ball bearing lower pivot point rated at 1160 torque lb dynamic load and 540lb dynamic load
- Upper pivot pin is a slip pin and not a bolt that can strip out and cause sag in just a few uses
- Kit is for one door
- Sold per kit



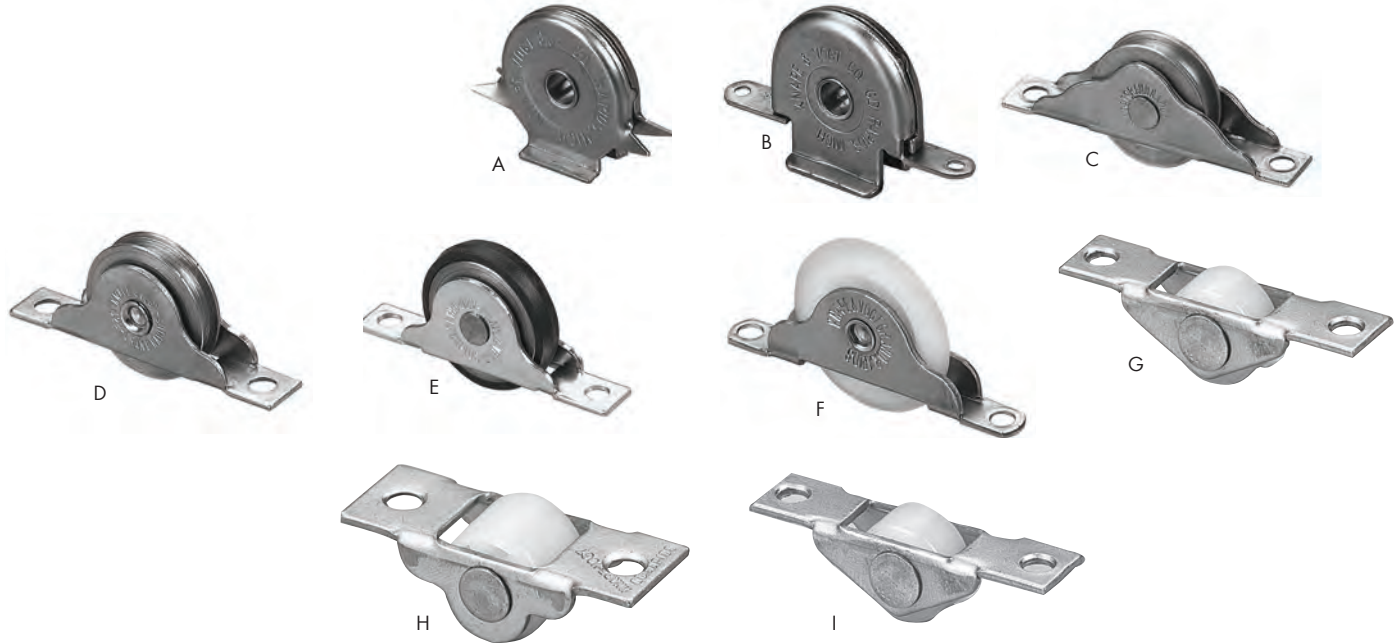
Item #	Description
MDFMHK	Flush Mount, Hidden Door Hinge Kit, One Door
MDSMHK	Surface Mount, Hidden Door Hinge Kit, One Door

## SHEAVES & ROLLERS

### Steel Enclosed & Open Wheel Sheaves



- Sheaves and rollers do not include screws



Item #	Overall Dimensions	Description	Used with KV Steel Track #	Fasteners To Use	Sold In
<b>Enclosed Steel Sheaves (Screws Not Included)</b>					
A	KV400A-STL 5/16"W x 1-1/4"H x 2"L	Heavy Doors, Ball Bearing Wheel	KV455 or KV469	-	Per Each
B	KV402STL 5/16"W x 1-1/4"H x 2-1/4"L	Heavy Doors, Ball Bearing Wheel	KV455 or KV469	#3 Flathead Wood Screws	100/Box
	KV582STL 5/16"W x 1-1/4"H x 2-1/4"L	Light Doors, Nylon Wheel	KV455 or KV469		100/Box
<b>Open Wheel Steel Sheaves (Screws Not Included)</b>					
C	KV427STL 1/2"W x 2-15/16"H, 1-3/16"Dia. Wheel	Standard Doors, Ball Bearing Round Groove Wheel	KV455 or KV469	#6 Flathead Wood Screw	Per Each
D	KV429STL 3/8"W x 2-1/4"H, 1"Dia. Wheel	Standard Doors, Round Groove Wheel	KV455 or KV469	#4 Flathead Wood Screw	Per Each
E	KV430-STL 1/2"W x 2-3/4"H, 1-3/8"Dia. Wheel	Standard Doors, Ball Bearing, Round Groove Wheel	KV455 or KV469	#6 Flathead Wood Screw	Per Each
F	KV592STL 2-1/4"W x 9/32"H, 1-3/16"Dia. Wheel	Thin Doors, Nylon Convex Wheel	KV455	#3 Flathead Wood Screw	Per Each
<b>Steel Roller (Screws not included)</b>					
G	KV420-STL 7/16"W x 1-7/8"L	Nylon roller: 9/16" Dia. X 5/16" Wide	KV455 or KV469	#5 Flathead Wood Screw	Per Each
H	KV422-STL 5/8"W x 1-13/16"L	Nylon roller: 9/16" Dia. X 1/2" Wide	KV455 or KV469	#5 Flathead Wood Screw	Per Each
I	KV423-STL 5/8"W x 1-13/16"L	Nylon roller: 5/8" Dia. X 1/2" Wide	KV455 or KV469	#5 Flathead Wood Screw	Per Each

**A SLIDING DOOR TRACKS**

**Steel Tracks/Guide**

• Sold In: 1 Each



Steel Tracks & Guide					
	Item #	Overall Dimensions	Description	Fasteners Included	Finish
A	KV455STL144	21/32"W x 5/16"H x 144"	12' Single Lower Track	1/2" Nails	Steel
B	KV455-144SS	21/32"W x 19/64"H x 144"L	12' Single Lower Track	1/2" Nails	Stainless Steel
C	KV469ZC144	1"W x 1/4"H x 144"L	12' Double Lower Track	1/2" x #5 Screws	Zinc
D	KV953ZC144	5/8"W x 5/8"H x 144"L	12' Top Door Divider, Upper T-Guide separates sliding door at top	-	Pre-Coated Steel

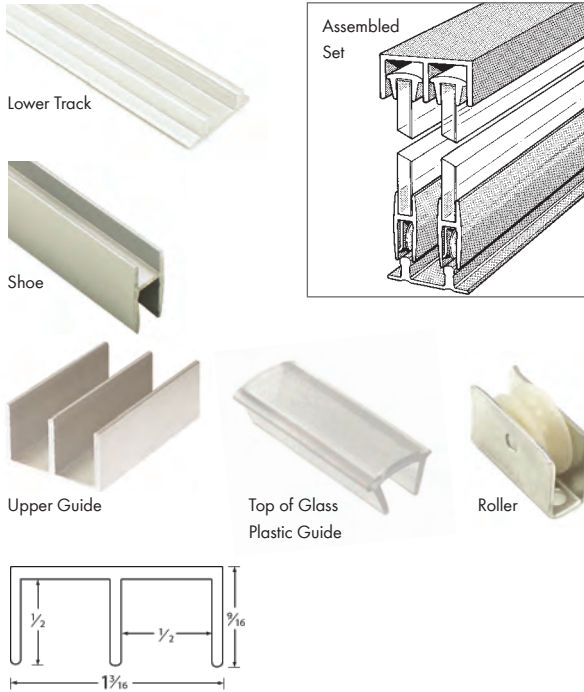
**O Roll-Ezy Aluminum Track System**



- Designed for Small to Medium Glass Doors
- Kit Includes: (1) 1093 Upper Channel, (4) 1097 Rollers, (4) 1085 Vinyl Guides, (2) 1095 Shoes, & (1) 1099 Lower Track
- Designed for 1/4" thick glass door
- Installation Notes & Recommendations: KV does not recommend butt-joints and/or openings longer than 12 feet.
- Sold In: 1 Each Kit

Item #	Description
KV1092ANO-36	36" Length Small to Medium Glass Door Track Assembly Kit
KV1092ANO-48	48" Length Small to Medium Glass Door Track Assembly Kit
KV1092ANO-60	60" Length Small to Medium Glass Door Track Assembly Kit
KV1092ANO-72	72" Length Small to Medium Glass Door Track Assembly Kit

## SLIDING GLASS DOOR DUAL TRACKS



### Aluminum Sliding Glass Door Dual Track Sets



- Made of aluminum with a satin clear anodized finish
- Hardware sets include: (1) Upper Guide, (4) Top of glass plastic guides, (2) Shoes, (4) Rollers & (1) Lower Track
- Corrosion free anodized aluminum members are ideal for lightweight 1/4" thick two glass door installations, plastic guides are designed to fit into the top
- Glass should be cut 1-7/32" shorter than height of opening
- Easily cut to fit any width opening
- If glass is undersized, it can be caulked for rigidity

Item #	Overall Dimensions	Finish
EP14-36	36" Length	Aluminum
EP14-48	48" Length	Aluminum
EP14-60	60" Length	Aluminum
EP14-72	72" Length	Aluminum

A  
B  
C  
D  
E  
F  
G  
H  
I  
J  
K  
L  
M  
N  
O  
P  
Q  
R  
S  
T  
U  
V  
W  
X  
Y



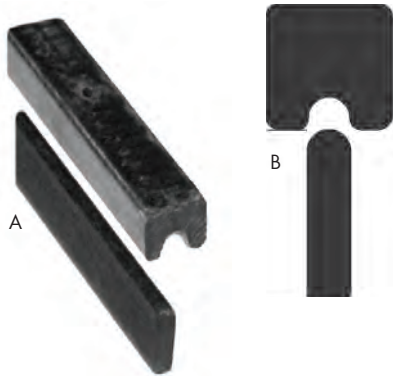
### Large Sliding Glass Door Ball Bearing Hardware Sets & Components For By-Passing Doors, Double Tracks



- High quality ball bearing movement
- Available in hardware sets or individual components
- Hardware Set (for two glass doors) includes: (1) upper channel, (2) shoes, (2) ball bearing carriers and (1) lower track
- All hardware is made of steel with a zinc finish
- Zinc plated steel with full ball bearing carriers make this unit ideal for larger 1/4" two glass door installations
- Glass should be cut 1-1/4" shorter than height of opening, easily cut to fit any width opening
- KV does not recommend butt-joints and/or openings longer than 12 feet and that the height to length ratio for glass doors should not exceed 2:1

Item #	Length	Description	Finish
<b>Sliding Glass Door Steel Hardware Sets</b>			
KV992-48	48"	(1)KV993 Upper Channel, (2)KV995 Shoe, (2)KV997 Carrier & (1)KV999 Lower Track	Zinc
KV992-60	60"	(1)KV993 Upper Channel, (2)KV995 Shoe, (2)KV997 Carrier & (1)KV999 Lower Track	Zinc
KV992-72	72"	(1)KV993 Upper Channel, (2)KV995 Shoe, (2)KV997 Carrier & (1)KV999 Lower Track	Zinc
<b>Sliding Glass Door Steel Hardware Components</b>			
KV993-144	144"	15/16"W x 5/8"H, Upper Channel	Zinc
KV995-144	144"	7/16"H, Shoe for 1/4" glass, bottom curved for free rolling position on ball bearings	Zinc
KV997-144	144"	Ball Bearing Carrier has free rolling balls on 3" centers	Zinc
KV999-144	144"	1"W x 1"H, Lower Track, Balls ride freely on curved anvil with no contact against sides	Zinc

**A SLIDING GLASS DOOR TRACKS**



**Track & Glides For Lightweight Doors**

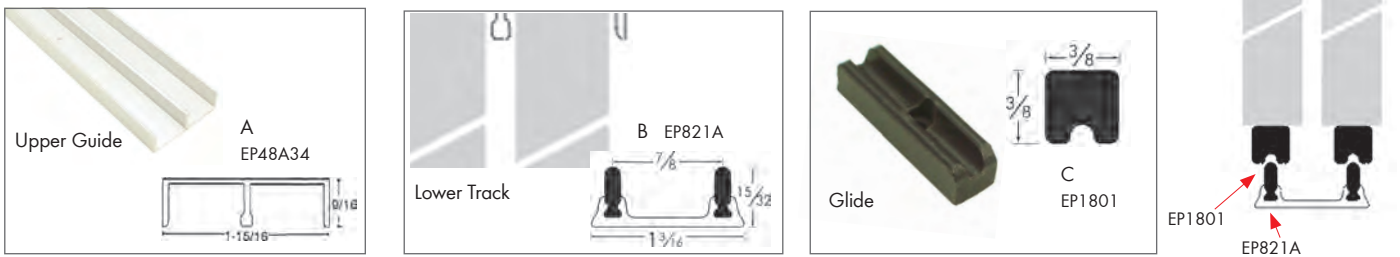
- Track and glide sold separately
- Simple installation by press-fitting the plastic track into 1/8" wide saw kerf and glides are mortised into bottom of door
- Hardened fibre tracks and glides are self-lubricating and glide smoothly
- Plastic Kerf Track sold in 100' rolls



	Item #	Overall Dimensions	Description	Color
A	EP8016	1/8"W x 1/2"H x 72"L	Fibre Track	Gray
B	EP1801-1	3/8"W x 3/8"H x 1-3/8"L	Non-Locking Fibre Glide	Gray

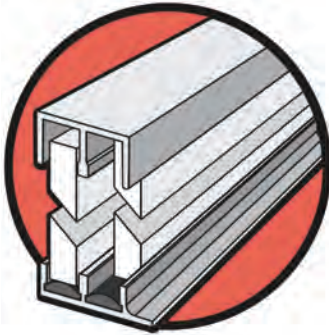
**Sliding Door Hardware Components For 3/4" Thick Doors, Dual Tracks**

- Three components: Upper Guide, Lower Track, and Fibre Glides
- Upper Guide and Lower Track items are made of Aluminum and have an anodized aluminum finish
- Fiber Glides are hardened fibre with graphite composition to provide smooth operation and superb wearing qualities. No moving parts. Rust and corrosion proof.



	Item #	Overall Dimensions	Channel Dimensions	Description	Finish
<b>Upper Guide for 3/4" Thick Doors – Aluminum Material</b>					
A	EP48A344	1-15/16"W x 9/16"H x 48"L	27/32"W x 1/2"D	Upper Guide, Holes at 6" Intervals	Anodized Aluminum
	EP48A346	1-15/16"W x 9/16"H x 72"L	27/32"W x 1/2"D	Upper Guide, Holes at 6" Intervals	Anodized Aluminum
	EP48A34-144	1-15/16"W x 9/16"H x 144"L	27/32"W x 1/2"D	Upper Guide, Holes at 6" Intervals	Anodized Aluminum
<b>Lower Track for 3/4" Thick Doors – Aluminum Material with Fibre Inserts</b>					
B	EP821A4	1-3/16"W x 15/32"H x 48"L	7/8"	Lower Track, Holes at 6" Intervals	Anodized Aluminum
	EP821A6	1-3/16"W x 15/32"H x 72"L	7/8"	Lower Track, Holes at 6" Intervals	Anodized Aluminum
	EP821-144	1-3/16"W x 15/32"H x 144"L	7/8"	Lower Track, Holes at 6" Intervals	Anodized Aluminum
<b>Fibre Glides</b>					
C	EP1801-1	3/8"W x 3/8"H x 1-3/8"L	-	Fibre Glides = Graphite Composition	Dark Gray

**SLIDING DOOR TRACK SETS**



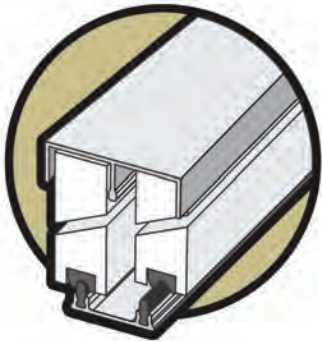
**Sliding Door Track Sets, Assembly #1**

- For use with heavier 1/4" thick wood/glass doors
- Bottom track has machined, hardened fibre inserts
- Sets include upper track, lower track and installation screws



Item #	For Door Thickness	Door Type	Length	Material	Finish
EP1-48	1/4"	Wood/Glass	48"	Aluminum	Clear Anodized
EP1-72	1/4"	Wood/Glass	72"	Aluminum	Clear Anodized

A  
B  
C  
D  
E  
F  
G  
H  
I  
J  
K  
L  
M  
N  
O  
P  
Q  
R  
S  
T  
U  
V  
W  
X  
Y



**Sliding Door Track Sets, Assembly #2**

- For use with heavier 3/4" thick wood doors
- Bottom track has machined, hardened fibre inserts
- Sets include upper track, lower track and installation screws
- Four fiber glides recess into bottom of door and glide easily on track



Item #	For Door Thickness	Door Type	Length	Material	Finish
EP2-48	3/4"	Wood	48"	Aluminum	Clear Anodized
EP2-72	3/4"	Wood	72"	Aluminum	Clear Anodized



**Sliding Door Track Sets, Assembly #3**

- Use for small and lightweight 1/4" wood or glass bypass doors
- High impact extruded polystyrene construction
- Sets include bottom track and upper guide



Item #	For Door Thickness	Door Type	Length	Material	Finish
EP3-48BK	1/4"	Wood/Glass	48"	Polystyrene	Black
EP3-48G	1/4"	Wood/Glass	48"	Polystyrene	Gray
EP3-48WAL	1/4"	Wood/Glass	48"	Polystyrene	Walnut
EP3-72BK	1/4"	Wood/Glass	72"	Polystyrene	Black
EP3-72WAL	1/4"	Wood/Glass	72"	Polystyrene	Walnut



**Sliding Door Track Sets, Assembly #5**

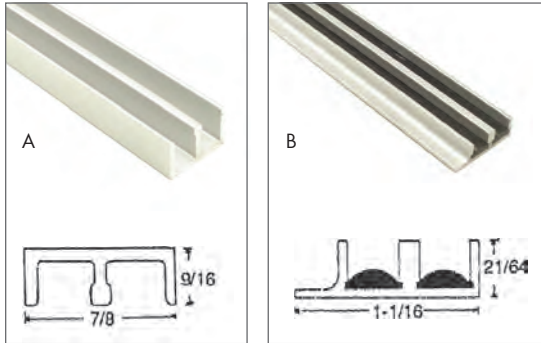
- Use for small and lightweight 3/4" wood bypass doors
- High impact extruded polystyrene construction
- Sets include bottom track and upper guide
- Four button glides provide a smooth sliding action



Item #	For Door Thickness	Door Type	Length	Material	Finish
EP5-48G	3/4"	Wood	48"	Polystyrene	Gray
EP5-48WAL	3/4"	Wood	48"	Polystyrene	Walnut
EP5-72G	3/4"	Wood	72"	Polystyrene	Gray
EP5-72WAL	3/4"	Wood	72"	Polystyrene	Walnut

A  
B  
C  
D  
E  
F  
G  
H  
I  
J  
K  
L  
M  
N  
O  
P  
Q  
R  
S  
T  
U  
V  
W  
X  
Y

## SLIDING DOOR TRACKS

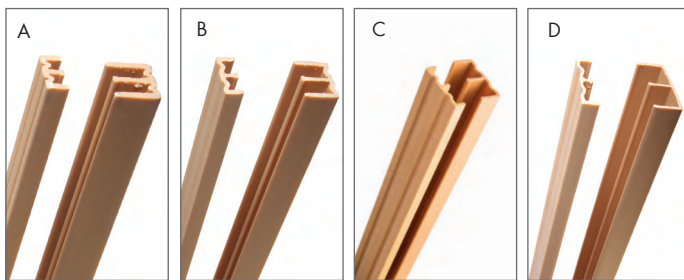


### Aluminum Sliding Door Hardware Components For 1/4" Thick Doors, Dual Track



- Two components: Upper Guide Track and Lower Guide Track with built in fibre inserts
- Upper guide and lower track are made of aluminum and have an Anodized Aluminum finish
- Lower track with fibre insert is hardened fibre with graphite composition to provide smooth operation and superb wearing qualities. Rust and corrosion proof.
- Sliding action is always sure, easy and quiet

Item #	Overall Dimensions	Channel Dimensions	Description	Finish
<b>Upper Guide for 1/4" Thick Doors – Aluminum Material</b>				
A EP48A144	7/8"W x 9/16"H x 48"L	5/16"W x 1/2"D	4' Upper Guide, Holes at 6" Intervals	Anodized Alum.
A EP48A146	7/8"W x 9/16"H x 72"L	5/16"W x 1/2"D	6' Upper Guide, Holes at 6" Intervals	Anodized Alum.
<b>Lower Track for 1/4" Thick Doors – Aluminum Material with Fibre Inserts</b>				
B EP38AS144	1-1/16"W x 21/64"H x 48"L	9/32W x 11/64"D	4' Lower Track, Holes at 6" Intervals	Anodized Alum.
B EP38AS146	1-1/16"W x 21/64"H x 72"L	9/32W x 11/64"D	6' Lower Track, Holes at 6" Intervals	Anodized Alum.



### Plastic Tracks For By-Passing Doors Dual Tracks



- All tracks made of plastic, Tan color
- Set includes: matching (1) piece of upper guide and (1) piece of lower track

Item #	Upper Guide Dimensions	Lower Track Dimensions	Description
<b>Designed for Doors with a Thickness of 1/8"</b>			
A KVP2413-TAN-48	5/8"W x 9/16"H x 48"L	5/8"W x 5/16"H x 48"L	(1)Upper Guide & (1)Lower Track
A KVP2413-TAN-72	5/8"W x 9/16"H x 72"L	5/8"W x 5/16"H x 72"L	(1)Upper Guide & (1)Lower Track
<b>Designed for Doors with a Thickness of 1/4"</b>			
B KV2417-48T	13/16"W x 9/16"H x 48"L	13/16"W x 1/4"H x 48"L	(1)Upper Guide & (1)Lower Track
B KV2417-72T	13/16"W x 9/16"H x 72"L	13/16"W x 1/4"H x 72"L	(1)Upper Guide & (1)Lower Track
<b>Designed for Doors with a Thickness of 1/2"</b>			
C KVP2421-TAN-48	1-3/8"W x 1/2"H x 48"L	1-3/8"W x 5/16"H x 48"L	(1)Upper Guide & (1)Lower Track
C KV2421-72T	1-3/8"W x 1/2"H x 72"L	1-3/8"W x 5/16"H x 72"L	(1)Upper Guide & (1)Lower Track
<b>Designed for Doors with a Thickness of 3/4"</b>			
D KVP2419-TAN-48	1-15/16"W x 13/16"H x 48"L	1-15/16"W x 3/8"H x 48"L	(1)Upper Guide & (1)Lower Track
D KVP2419-72T	1-15/16"W x 13/16"H x 72"L	1-15/16"W x 3/8"H x 72"L	(1)Upper Guide & (1)Lower Track



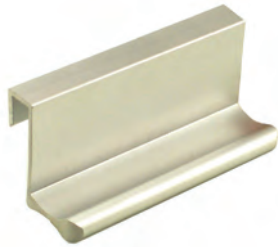
## SLIDING DOOR PULLS

### Sliding Door Pulls

- Economy sliding door pulls for glass and wood doors
- Packing & Sold In: As shown below.  
 Sold In: Both broken and full box quantities.



A



B



C



D

Item #	Overall Dimensions	Drill Hole	Material	Finish	Conforms to ANSI/BHMA	Box Qty	
<b>Glass Door Threaded Finger Pull, Two-Piece Screw Together Pull For Glass 3/16" To 5/16" Thick</b>							
A	KV836	1-1/16" Dia x 9/16" Deep	13/16" Dia	Zinc	Anochrome	-	50
<b>Glass Door Pull , Designed for 1/4" Thick Glass</b>							
B	EPGP-15A	3/4" W x 1" D, 2-3/4" H	-	Aluminum	Satin Aluminum	-	25
<b>Sliding Door Edge Pulls with Spring Loaded Lever for a Flush Look</b>							
C	IV230B-3	3/4" W x 1-5/8" D x 3-7/8" L	-	Brass	Bright Brass	A156.14/D2801	10
	IV230B-5	3/4" W x 1-5/8" D x 3-7/8" L	-	Brass	Antique Brass	A156.14/D2801	10
	IV230B-10B	3/4" W x 1-5/8" D x 3-7/8" L	-	Brass	Oil Rub Bronze	A156.14/D2801	10
	IV230B-15	3/4" W x 1-5/8" D x 3-7/8" L	-	Brass	Satin Nickel	A156.14/D2801	10
	IV230B-26	3/4" W x 1-5/8" D x 3-7/8" L	-	Brass	Bright Chrome	A156.14/D2801	10
<b>Stick-On Pull W/Pressure Sensitive Adhesive Backing</b>							
D	EP17AM	13/16"W x 1/8"D x 2-13/16"L	-	Plastic	Aluminum	-	100
	EP17BK	13/16"W x 1/8"D x 2-13/16"L	-	Plastic	Black	-	100
	EP17CL	13/16"W x 1/8"D x 2-13/16"L	-	Plastic	Clear	-	100

A  
B  
C  
D  
E  
F  
G  
H  
I  
J  
K  
L  
M  
N  
O  
P  
Q  
R  
S  
T  
U  
V  
W  
X  
Y

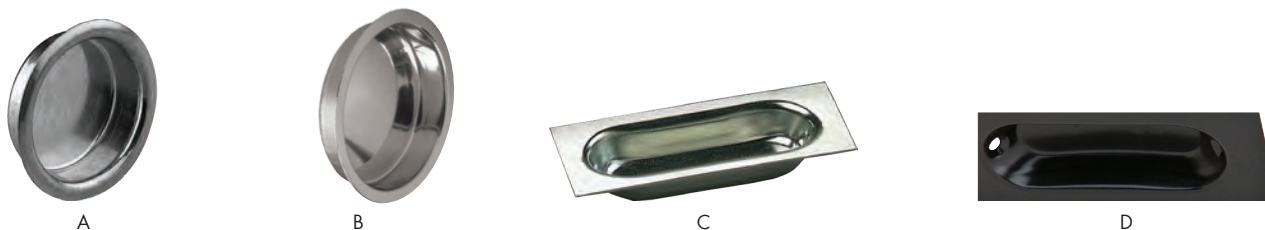
**A SLIDING DOOR PULLS**

A  
B  
C  
D  
E  
F  
G  
H  
I  
J  
K  
L  
M  
N  
O  
P  
Q  
R  
S  
T  
U  
V  
W  
X  
Y

**Sliding Door Pulls**

- Economy sliding door pulls for glass and wood doors

Packing & Sold In: As shown below. Sold In: Both broken and full box quantities.



Item #	Overall Dimensions	Drill Hole	Material	Finish	Conforms to ANSI/BHMA	Box Qty	
<b>Finger Pulls</b>							
A	KV801XNP	31/32" Dia. X 1/4" Deep	25/36"	Metal	Nickel Plated	-	100
	KV803XNP	31/32" Dia. X 3/8" Deep	25/36"	Metal	Nickel Plated	-	100
<b>Finger Pulls</b>							
B	IV221B-15	2-7/16" Dia x 7/16" Deep	2-1/8"	Brass	Satin Nickel	A156.9/B22201 A156.14/D2781	20
	IV221B-26	2-7/16" Dia x 7/16" Deep	2-1/8"	Brass	Bright Chrome	A156.9/B22201 A156.14/D2781	20
	IV221B-26D	2-7/16" Dia x 7/16" Deep	2-1/8"	Brass	Satin Chrome	A156.9/B22201 A156.14/D2781	20
	IV221B-3	2-7/16" Dia x 7/16" Deep	2-1/8"	Brass	Bright Brass	A156.9/B22201 A156.14/D2781	20
	IV221B-4	2-7/16" Dia x 7/16" Deep	2-1/8"	Brass	Satin Brass	A156.9/B22201 A156.14/D2781	20
	IV221B-5	2-7/16" Dia x 7/16" Deep	2-1/8"	Brass	Antique Brass	A156.9/B22201 A156.14/D2781	20
<b>Oval Flush Finger Pulls</b>							
C	KV813ANO	3/16" x 2-7/8" x 25/64"D	51/64" x 2-1/2"	Metal	Anochrome	-	100
<b>Flush Oblong Pulls</b>							
D	IV22B-10B	3-1/8"W x 7/16"D x 1-5/16"H	-	Brass	Oil Rubbed Bronze	A156.9/B22201 A156.14/D2781	20
	IV22B-15	3-1/8"W x 7/16"D x 1-5/16"H	-	Brass	Satin Nickel	A156.9/B22201 A156.14/D2781	20
	IV22B-26	3-1/8"W x 7/16"D x 1-5/16"H	-	Brass	Bright Chrome	A156.9/B22201 A156.14/D2781	20
	IV22-26D	3-1/8"W x 7/16"D x 1-5/16"H	-	Brass	Satin Chrome	A156.9/B22201 A156.14/D2781	20
	IV22-3	3-1/8"W x 7/16"D x 1-5/16"H	-	Brass	Bright Brass	A156.9/B22201 A156.14/D2781	20
	IV22B-5	3-1/8"W x 7/16"D x 1-5/16"H	-	Brass	Antique Brass	A156.9/B22201 A156.14/D2781	20

**WARDROBE HOOKS**



A  
Traditional  
Double Prong



B  
Wide Body  
Double Prong



C  
C-Shaped  
Double Prong



D  
Large  
Double Prong



E  
Single Prong



F  
Double Prong

**Solid Brass & Aluminum Hooks**

**IVES**

- All Ives hooks on this page are constructed of solid brass or cast aluminum that conforms to ANSI/BHMA A156.16 L13113 for brass and L33113 for aluminum
- All hooks include installation screws
- Sold In: Per each

	Finish	Item #	Dimensions	Material
<b>Traditional Double Prong – 3" Projection</b>				
A	Aged Bronze	IV571A-716	1-1/4"W x 1-3/4"H	Aluminum
	Bright Brass	IV571BR	1-1/4"W x 1-3/4"H	Aluminum
	Antique Brass	IV571AB	1-1/4"W x 1-3/4"H	Aluminum
	Bright Nickel	IV571BN	1-1/4"W x 1-3/4"H	Aluminum
	Aluminum	IV571AM	1-1/4"W x 1-3/4"H	Aluminum
	White Epoxy	IV571WH	1-1/4"W x 1-3/4"H	Aluminum
	Black Epoxy	IV571BK	1-1/4"W x 1-3/4"H	Aluminum
	Bright Brass	IV571MBBR	1-1/4"W x 1-3/4"H	Solid Brass
	Antique Brass	IV571MBAB	1-1/4"W x 1-3/4"H	Solid Brass
	Oil Rub Bronze	IV571MBDB	1-1/4"W x 1-3/4"H	Solid Brass
	Satin Nickel	IV571MBSN	1-1/4"W x 1-3/4"H	Solid Brass
	Bright Chrome	IV571MBBC	1-1/4"W x 1-3/4"H	Solid Brass
	Satin Chrome	IV571MBSC	1-1/4"W x 1-3/4"H	Solid Brass
<b>Wide Body Double Prong – 2-1/2" Projection</b>				
B	Bright Brass	IVE405A3	7/8"W x 1-1/2"H	Aluminum
	Bright Nickel	IVE405A14	7/8"W x 1-1/2"H	Aluminum
	Natural Alum.	IVE405A92	7/8"W x 1-1/2"H	Aluminum
<b>C-Shaped Double Prong – 3-3/4" Projection, Overall Height = 5"</b>				
C	Bright Chrome	IV574BC	1-3/4"W x 1-5/8"H	Aluminum
<b>Large Double Prong – 3-5/8" Projection, Overall Height = 5-3/4"</b>				
D	Bright Brass	IV575BR	1-3/8"W x 2-1/4"H	Aluminum
	Aluminum	IV575AM	1-3/8"W x 2-1/4"H	Aluminum

Finish		Aluminum	Solid Brass		Aluminum	Solid Brass
		1-5/8" Projection 1-1/4"W x 1-1/4"H Item #	1-11/16" Projection 1-1/4"W x 1-1/4"H Item #		1-3/32" Projection 1-3/16"W x 1-1/16"H Item #	1" Projection 1-1/4"W x 1-1/8"H Item #
Bright Brass	<b>(E) Single Prong</b>	-	IV581MBBR	<b>(F) Double Prong</b>	IV582BR	IV582MBBR
Antique Brass		-	-		IV582AB	-
Satin Nickel		-	IV581MBSN		-	IV582MBSN
Bright Nickel		IV581BN	-		IV582BN	-
Bright Chrome		-	IV581MBBC		-	IV582MBBC
Satin Chrome		IV581A26D	IV581MBSC		-	IV582MBSC
Aluminum		IV581AM	-		IV582AM	-
Black Epoxy		IV581BK	-		IV582BK	-
White Epoxy		-	-		IV582WH	-

A  
B  
C  
D  
E  
F  
G  
H  
I  
J  
K  
L  
M  
N  
O  
P  
Q  
R  
S  
T  
U  
V  
W  
X  
Y

**A WARDROBE HOOKS**

**Single Prong Utility Hooks  
Stainless Steel**



- NSF approved, utility hooks meet Food Equipment Industry Standards
- Constructed of 304 stainless steel material
- Supplied with stainless steel screws



	Overall Height	Projection	Load Capacity	Mirror Stainless Steel Item #	Polished Stainless Steel Item #
A	1-37/64"H	1-1/32"	44 lbs.	SGEL-25	-
	2-9/64"H	1-17/64"	44 lbs.	SGEL-30	-
B	63/64"H	63/64"	44 lbs.	SGEP-25	-
	1-19/64"H	1-17/64"	44 lbs.	SGEP-40	-
C	1-29/64"H	1-27/32"	22 lbs.	SGFC-50	-
	1-47/64"H	2-9/16"	26 lbs.	SGFC-65	-
D	25/32"H	1-7/32"	15.4 lbs.	-	SGTY-30
	29/32"H	1-7/16"	15.4 lbs.	-	SGTY-35-15
	1-1/16"H	1-23/32"	17.6 lbs.	-	SGTY-40



**Swing Hook**

- Hook swivels 180° and has constant torque when swiveling
- Ideal for vibration or shock environment applications
- Made of 304 stainless steel
- Includes stainless steel screws



Item #	Dimensions	Load Capacity	Finish
SGTK-45F	1.38"W 1.69"H x 1.74"L	17 lbs.	Polished Stainless Steel

**WARDROBE HOOKS**

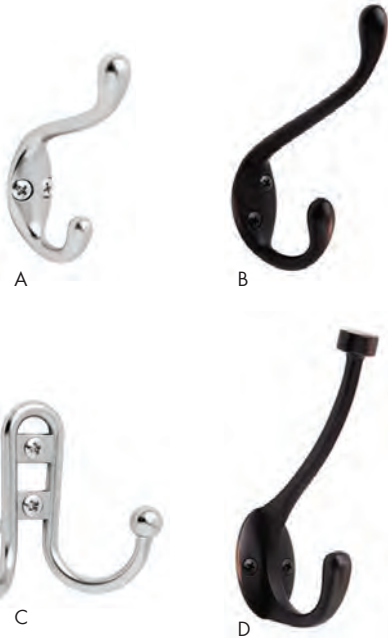


**Zinc Wardrobe Hooks**



- Includes (4) 8/32" x 1" installation screws
- Double prong hook
- Base: 1-1/16"

Item #	Dimensions	Finish
BER8012-BPN	3/8"W x 3-1/16"H x 4"L	Brushed Nickel
BER8013-WN	3/8"W x 3-1/16"H x 4"L	Weathered Nickel
BER8014-55	3/8"W x 3-1/16"H x 4"L	Satin Black
BER8015-ORB	3/8"W x 3-1/16"H x 4"L	Oil Rubbed Bronze
BER8016-VB	3/8"W x 3-1/16"H x 4"L	Venetian Bronze



**Zinc Wardrobe Hooks**



- Amerock's standard line of wardrobe hooks
- All hooks include installation screws

	Satin Nickel	Silver	Oil Rubbed Bronze
<b>Medium Coat &amp; Hat Hook, 3-1/4"H x 13/16"W, Projection: 2-1/2"</b>			
A	AMH55445-G10-1	-	AMH55445-ORB-1
<b>Large Coat &amp; Hat Hook, 4-1/4"H x 1"W, Projection: 4"</b>			
B	-	-	AMH55451-ORB-1
<b>Double Prong Robe Hook, 2-7/8"H x 2-7/8"W, Projection: 1-1/2"</b>			
C	-	AM55457-S	AMH55457-ORB-1
<b>Pilltop Coat &amp; Hat Hook, 5-1/2"H x 1-1/2"W, Projection: 3-1/2"</b>			
D	-	-	AMH55465-ORB-1



**Zinc Over-The-Door Hooks**



- All hooks include installation screws
- Hook dimensions: 7"H x 1"W x 5-1/2"Projection

Silver Item #	White Item #	Rack Dimensions
<b>Triple Over-The-Door Hook</b>		
AMH55548-S-1	AMH55548-GW-1	10"H x 9"L

A  
B  
C  
D  
E  
F  
G  
H  
I  
J  
K  
L  
M  
N  
O  
P  
Q  
R  
S  
T  
U  
V  
W  
X  
Y

**A UTILITY HOOKS & HANDRAIL BRACKETS**

**A**  
**B**  
**C**  
**D**  
**E**  
**F**  
**G**  
**H**  
**I**  
**J**  
**K**  
**L**  
**M**  
**N**  
**O**  
**P**  
**Q**  
**R**  
**S**  
**T**  
**U**  
**V**  
**W**  
**X**  
**Y**

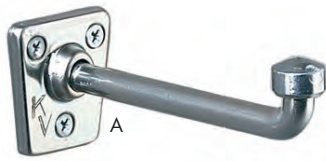


**Double Ceiling Hook**

**IVES**

- Made of cast aluminum
- Double prong with 2-1/4" projection
- Includes installation screws

Item #	Dimensions	Finish
IV580BN	1-7/8"W x 1"H	Bright Nickel
IV580AM	1-7/8"W x 1"H	Aluminum



**Utility Hooks, Steel**

- KV's line of heavy duty steel utility hooks
- Tested and meets ANSI/ BHMA A156.9-2003
- Includes steel screws



	Item #	Dimensions	Finish
A	KVP3-ANO-10	10" Length	Anochrome
	KV1132-4	4" Length	Anochrome
B	KV1132-06	6" Length	Anochrome
	KV1132-10	10" Length	Anochrome



**Handrail Brackets, Brass & Aluminum**

**IVES**

- Brackets are made of solid brass and cast aluminum
- All items are supplied with screws and "U" brackets
- Sold In: Each

	Item #	Finish	Overall Dimensions	Wall to Center of Handrail	Material	Conforms to ANSI/BHMA
<b>Small Handrail Bracket</b>						
A	IVBP059A3	Bright Brass	1-3/8"W x 2-1/4"H	2-7/16"	Aluminum	A156.16/L33061
	IVBP059A5	Antique Brass	1-3/8"W x 2-1/4"H	2-7/16"	Aluminum	A156.16/L33061
	IVBP059B15	Satin Nickel	1-3/8"W x 2-1/4"H	2-7/16"	Brass	A156.16/L13061
<b>Large Handrail Bracket</b>						
B	IV59A-3	Bright Brass	1-1/2"W x 2-13/16"H	2-3/4"	Aluminum	A156.16/L33061
	IV59A-14	Bright Nickel	1-1/2"W x 2-13/16"H	2-3/4"	Aluminum	A156.16/L33061
	IV59A-92	Aluminum	1-1/2"W x 2-13/16"H	2-3/4"	Aluminum	A156.16/L33061
	IV59MB-15	Satin Nickel	1-1/2"W x 2-15/16"H	2-3/4"	Brass	A156.16/L13061

## HANDRAIL BRACKETS & SPRING HINGES



### Handrail Brackets

**Rakks®**

- Clean, strong, and unobtrusive, the unique two-piece design reduces the cost and improves the quality of railing installation
- Heavy gauge #380 cast aluminum alloy brackets feature matching serrated surfaces that lock together eliminating slippage
- Rakks brackets meet or exceed OSHA and ADA standards
- Mount at a maximum spacing of 36 inches into studs or blocking
- 1 set includes mounting hardware (#14 Philips flat head screws and 1/4" carriage bolt and lock nut)

Item #	Size	Use For
RKKHR-303	1-3/4" x 2-1/2"	4" - 7" Rail



### Double Acting Gate Spring Hinges



- Double acting spring hinges enable doors to open in either direction and automatically return to a closed position
- Hinges have adjustable spring tension which allows the speed of door movement to be calibrated to size and weight of door
- Door flange of hinge is mortised into edge of door, hinges should not be used on doors with beveled edges
- Jamb flange of hinge is surface mounted on door jamb
- All steel construction and non-handed

Item #	Finish	Max. Door Weight/Width		Door Thickness Range	Max. Door Height	Sold In
		2 Hinge Set Up	3 Hinge Set Up			
<b>3" Spring Hinges - includes #7 x 3/4" Screws</b>						
BM3029-3BL	Black	35 lbs. / 2'-0"	39 lbs. / 2'-8"	3/4" to 1"	5'-0"	Per Each
BM3029-3ZC	Zinc	35 lbs. / 2'-0"	39 lbs. / 2'-8"	3/4" to 1"	5'-0"	2 Each
BM3029-3DC	Dull Chrome	35 lbs. / 2'-0"	39 lbs. / 2'-8"	3/4" to 1"	5'-0"	Per Each
<b>4" Spring Hinges - includes #8 x 3/4" Screws</b>						
BM3029-4BL	Black	60 lbs. / 2'-4"	75 lbs. / 3'-0"	7/8" to 1-1/4"	6'-8"	Per Each
BM3029-4ZC	Zinc	60 lbs. / 2'-4"	75 lbs. / 3'-0"	7/8" to 1-1/4"	6'-8"	2 Each
BM3029-4DC	Dull Chrome	60 lbs. / 2'-4"	75 lbs. / 3'-0"	7/8" to 1-1/4"	6'-8"	Per Each
<b>6" Spring Hinges - includes #12 x 1-1/4" Screws</b>						
BM3029-6BL	Black	75 lbs. / 2'-8"	107 lbs. / 3'-0"	1-1/4" to 1-3/4"	7'-0"	Per Each
BM3029-6ZC	Zinc	75 lbs. / 2'-8"	107 lbs. / 3'-0"	1-1/4" to 1-3/4"	7'-0"	2 Each
BM3029-6DC	Dull Chrome	75 lbs. / 2'-8"	107 lbs. / 3'-0"	1-1/4" to 1-3/4"	7'-0"	Per Each

**A SPRING HINGES**



**Double Acting, Light Duty Gate Spring Hinge**



- Made in the USA
- Conforms to ANSI K84243
- Steel material, Black finish
- Non-handed, non-adjustable tension
- Surface mounted to the gate and the jamb
- Gate hinge is supplied with (12) #7 x 3/4" wood screws

Item #	Hinge Size	Door Thickness	Max. Door Width	Min. Door Height	Max. Door Weight
BM9700-601BL	2-3/4"	3/4" to 1-1/8"	36"W	36"H	30 lbs.



**Double Acting, Light Duty Louver Door Spring Hinge**



- Designed for louver doors, does not hold door open
- Conforms to ANSI K81243
- Steel material non-handed
- Door flange is either surface mounted or mortised
- Jamb flange is surface mounted
- Includes wood screws (12) #7 x 3/4"

Finish	7/8"-1" Thick Item #	Min Door Height	Max Door Weigh/Width
Dull Zinc	BM1514-603ZC	38"	18 lbs./18"



**Single Acting Gate Spring Hinges**



- Hinges have adjustable spring tension which allows the speed of the door movement to be calibrated to the door's size and weight, opens in one direction and automatically return to closed
- Conforms to ANSI Specification K81011
- Steel material non-Handed
- Pivot Points do not align with standard full mortise hinges

Item #	Finish	Max. Door Weight/ Width		Door Thickness
		2 Hinge	3 Hinge	
<b>3" Spring Hinges, includes #7 x 3/4" Screws</b>				
BM4010-3DC	Dull Chrome	45 lbs. / 2'-4"	65lbs. / 2'-8"	3/4"-1"
<b>6" Spring Hinges</b>				
BM4010-6DC	Dull Chrome	125 lbs. / 3'-0"	155lbs. / 4'-0"	1-3/4"



**SCREEN DOOR & PIVOT HINGES**

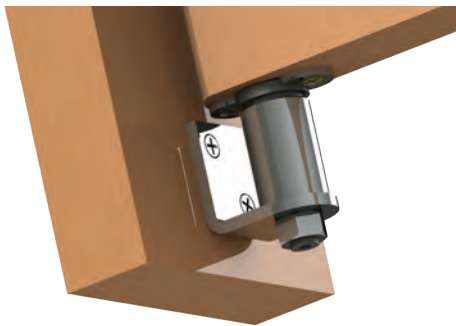


**Double Acting Surface Mount Pivot Spring Hinge Kits**



- Opens doors in both directions and automatically returns to the closed position
- Designed for toilet partition doors and gate doors
- Conforms to ANSI K63201
- Easily adjustable spring tension allows the hinge to be calibrated to door's size and weight
- Steel material, ball bearing, non-handed
- Doors must be at least 1" thick and door jamb at least 1-1/4" wide for hinge to adjust
- Kit Includes: (1) Pivot hinge, (1) Pivot hinge jamb & door bracket, (1) Top pivot assembly with jamb bracket, (8) #12 x 1-1/4" flat head wood screws and (2) #10 x 1" flat head wood screws

Item #	Finish	Max. Weight	Max Width	Max Thickness
BM7112-601BL	Black	75 lbs.	36"	2-1/2"
BM7112-603	Zinc	75 lbs.	36"	2-1/2"
BM7112-632BB	Bright Brass	75 lbs.	36"	2-1/2"
BM7112-633	Dull Brass	75 lbs.	36"	2-1/2"
BM7112-652DC	Dull Chrome	75 lbs.	36"	2-1/2"



**Double Acting, Gravity Pivot, Louver Hinge Kit**



- No spring, weight of door allows door to close after opening
- Non-handed, Dull Chrome finish
- Pivot edge of the door will have to be rounded to 7/8" radius from the pivot center line to clear jamb
- Door jamb must be a minimum of 1-1/4" wide for hinge to operate
- Kit Includes: (1)Pivot hinge and door bracket, (1)top pivot assembly with jamb bracket and (8) #10 x 1" flat head wood screws

Item #	Kit Type	Max. Weight	Max. Width	Max. Thickness
BM7512H-652DC	Hold Open at 90°	50 lbs.	30"	7/8" to 1-5/8"



**Aluminum Door Latches**



- For one way swinging gates
- Reversible for either right or left hand operation
- Operated by finger pressure to underside of latch, knob has no effect on operation

Item #	Dimensions	Material	Finish
KV989-AL	2-3/8"W x 2"H	Aluminum	Aluminum

**A PASSAGE DOOR HARDWARE**

**Door Stops**

**IVES**

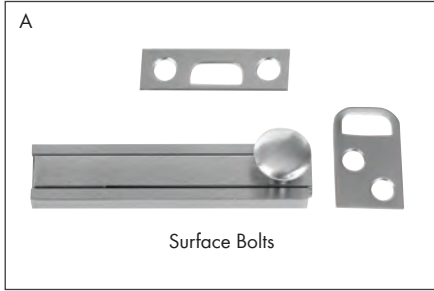
- All items are poly-bagged, screws included
- Sold In: Per Each



	Item #	Finish	Overall Dimensions	Projection	Mounting Type	Material	Conforms to ANSI/BHMA
<b>Wall Bumper</b>							
A	IV404B-26D	Satin Chrome	1" Diameter	17/32"	Wall	Brass	-
	IV404B-3	Bright Brass	1" Diameter	17/32"	Wall	Brass	-
<b>Dome Stop – Designed For Passage Doors Without A Threshold</b>							
B	IV436PA-28	Aluminum	1-3/4" x 2" Oval	1"	Floor	Aluminum	156.6, L32141
<b>Elevated Dome Stop – Designed For Passage Doors With A Threshold Or Undercut Doors</b>							
C	IV438PA-28	Aluminum	1-3/4" x 2" Oval	1-3/8"	Floor	Aluminum	156.6, L32141
<b>Floor Stops – Designed For Doors With An Undercut Up To 2-1/2"</b>							
D	IV448B-3	Bright Brass	2-1/2" Diameter	3"	Floor	Brass	156.16, L12121
	IV448PA-28	Aluminum	2-1/2" Diameter	3"	Floor	Aluminum	156.16, L32121
<b>Kick Stops – Designed For Door To Floor Clearances Of 2" Or Less</b>							
E	IV455A-3	Bright Brass	1-3/4"W x 1-3/4"H	2"	Door	Aluminum	156.16, L31382
	IV455A-92	Aluminum	1-3/4"W x 1-3/4"H	2"	Door	Aluminum	156.16, L31382
<b>Flexible Wall Stops</b>							
F	IVBPO60F14	Bright Nickel	-	3"	Wall	Steel	A156.16
<b>Screw-In Fixed Wall Stops</b>							
G	IV61A-3	Bright Brass	-	4"	Wall	Aluminum	-
	IV61A-92	Aluminum	-	4"	Wall	Aluminum	-
	IV61MB-3	Bright Brass	-	4"	Wall	Brass	-
	IV61MB-10B	Oil Rub Bronze	-	4"	Wall	Brass	-
	IV61MB-26	Bright Chrome	-	4"	Wall	Brass	-
	IV61MB-26D	Satin Chrome	-	4"	Wall	Brass	-
<b>Hinge Type – Door Opening Adjustments = 85° to 125°</b>							
H	IV70A-3	Bright Brass	-	-	Hinge	Aluminum	-
	IV70A-92	Aluminum	-	-	Hinge	Aluminum	-

**PASSAGE DOOR HARDWARE**

**IVES**

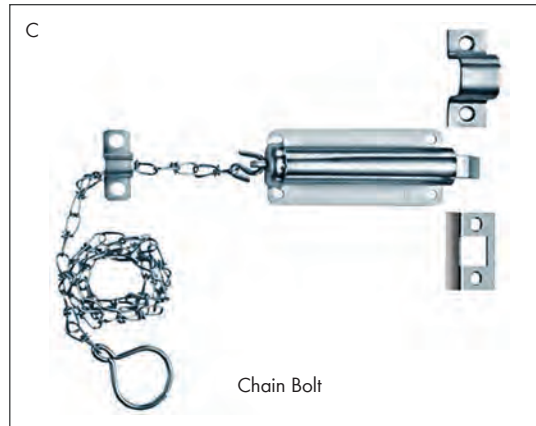
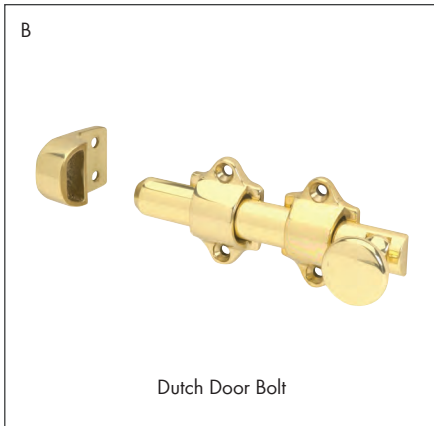


**Surface Mounted Door Bolts**

- Made of brass or aluminum
- Chain Bolt type has a spring mechanism that returns the bolt into the locked position
- Spring Bolt lock can be locked with a pad lock
- Poly-bagged with screws included

Packing: As shown below.

Sold In: Both broken and full box quantities.



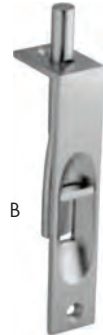
Item #	Finish	Overall Dimensions	Bolt Throw Length	Mounting Type	Material	Box Qty	
<b>Surface Bolts – Concealed Screws</b>							
A	IV40-3CH	Bright Chrome	11/16"W x 3/4"H x 3"L	3/4"	Surface	Brass	10
	IV40B10B3	Oil Rubbed Bronze	11/16"W x 3/4"H x 3"L	3/4"	Surface	Brass	10
	IV40B153	Satin Nickel	11/16"W x 3/4"H x 3"L	3/4"	Surface	Brass	10
	IV40B26D3	Satin Chrome	11/16"W x 3/4"H x 3"L	3/4"	Surface	Brass	10
	IV40B10B4	Oil Rubbed Bronze	11/16"W x 3/4"H x 4"L	7/8"	Surface	Brass	10
	IV40B154	Satin Nickel	11/16"W x 3/4"H x 4"L	7/8"	Surface	Brass	10
	IV40B26D4	Satin Chrome	11/16"W x 3/4"H x 4"L	7/8"	Surface	Brass	10
<b>Dutch Door Bolt – Designed For Door To Floor Clearances Of 2" Or Less</b>							
B	IVBP054MB3	Bright Brass	1-5/8"W x 1-1/8"H x 4-3/8"L	3/4"	Surface	Brass	5
<b>Chain Bolt – Includes 26" Chain</b>							
C	EPCB3ZP	Zinc Plated	1-1/2"W x 3"L	1/2"	Surface	Steel	100

A  
B  
C  
D  
E  
F  
G  
H  
I  
J  
K  
L  
M  
N  
O  
P  
Q  
R  
S  
T  
U  
V  
W  
X  
Y

**A PASSAGE DOOR HARDWARE**



Mortise Bolt



Manual Flush Bolt

**Mortised Door Bolts**

**IVES**

- Bolts are made of a Cast Brass
- Flush bolt has double action spring design that automatically holds bolt in open and closed position
- Poly-bagged with screws included
- Sold In: Per Each

	Item #	Finish	Overall Dimensions	Bolt Throw Length	Mounting Type	Material
<b>Mortise Door Bolt</b>						
A	IVS48B-3	Bright Brass	9/16" Dia. x 2-1/2"L	1/2"	Mortise	Brass
<b>Manual Flush Bolts – Small &amp; Large</b>						
B	IV262BR	Bright Brass	3/4"W x 1-11/32"D x 6"L	1"	Mortise	Brass
	IV262AB	Antique Brass	3/4"W x 1-11/32"D x 6"L	1"	Mortise	Brass
	IV262SN	Satin Nickel	3/4"W x 1-11/32"D x 6"L	1"	Mortise	Brass
	IV262BC	Bright Chrome	3/4"W x 1-11/32"D x 6"L	1"	Mortise	Brass
	IV262SC	Satin Chrome	3/4"W x 1-11/32"D x 6"L	1"	Mortise	Brass



Casement Fasteners & Strike



**Handles & Locks**

**IVES**

- Premium line of window handles and locks
- Made of brass and aluminum
- Window locks and casement fasteners are designed to be weather-tight fastening and security
- All items are supplied with screws
- Sold In: Each

	Item #	Finish	Overall Dimensions	Projection	Material	Conforms to ANSI/BHMA
<b>Handles</b>						
A	IVBP026A3	Bright Brass	4"W x 1-1/8"H	1-1/16"	Aluminum	A156.16
	IVBP026A92	Aluminum	4"W x 1-1/8"H	1-1/16"	Aluminum	A156.16
	IVBP026MB3	Bright Brass	4"W x 1-1/8"H	1-1/16"	Brass	A156.16
<b>Window Lock – Crescent Type</b>						
B	IVBP07A3	Bright Brass	2-9/16"W x 15/16"H	-	Aluminum	156.16
	IVBP07MB3	Bright Brass	2-9/16"W x 15/16"H	-	Brass	156.16
<b>Casement Fastener – Includes Surface Strikes</b>						
C	IVBP066A3SS	Bright Brass	7/8"W x 1-5/8"H	1-3/8"	Aluminum	A156.16
	IVBP066B26DSS	Satin Chrome	7/8"W x 1-5/8"H	1-3/8"	Brass	A156.16

**BATH HARDWARE**

**Arrondi™**

• Sold In: Per Each



A. Tissue Roll Holder



B. Towel Ring



C. Robe Hook



D. Towel Bar, 18"



E. Towel Bar, 24"



F. Double Towel Bar, 24"



G. Towel Bar, 9"

	Golden Champagne Item #	Matte Black Item #	Polished Stainless Steel Item #	Stainless Steel Item #	Description	Ctr to Ctr	Overall Length	Proj.
A	AM26540-BBZ	AM26540-MB	AM26540P-SS	AM26540-SS	Tissue Roll Holder	-	7-1/4"	2-3/4"
B	AM26541-BBZ	AM26541-MB	AM26541P-SS	AM26541-SS	Towel Ring	-	6-3/8"	2-1/8"
C	AM26542-BBZ	AM26542-MB	AM26542P-SS	AM26542-SS	Robe Hook	-	2"	2"
D	AM26543-BBZ	AM26543-MB	AM26543P-SS	AM26543-SS	Towel Bar, 18"	18"	21"	3-1/4"
E	AM26544-BBZ	AM26544-MB	AM26544P-SS	AM26544-SS	Towel Bar, 24"	24"	26-7/8"	3-1/3"
F	AM26545-BBZ	AM26545-MB	AM26545P-SS	AM26545-SS	Dble Towel Bar, 24"	24"	26-7/8"	5"
G	AM26546-BBZ	AM26546-MB	AM26546P-SS	AM26546-SS	Towel Bar, 9"	9"	11-5/8"	2-3/4"

A  
B  
C  
D  
E  
F  
G  
H  
I  
J  
K  
L  
M  
N  
O  
P  
Q  
R  
S  
T  
U  
V  
W  
X  
Y

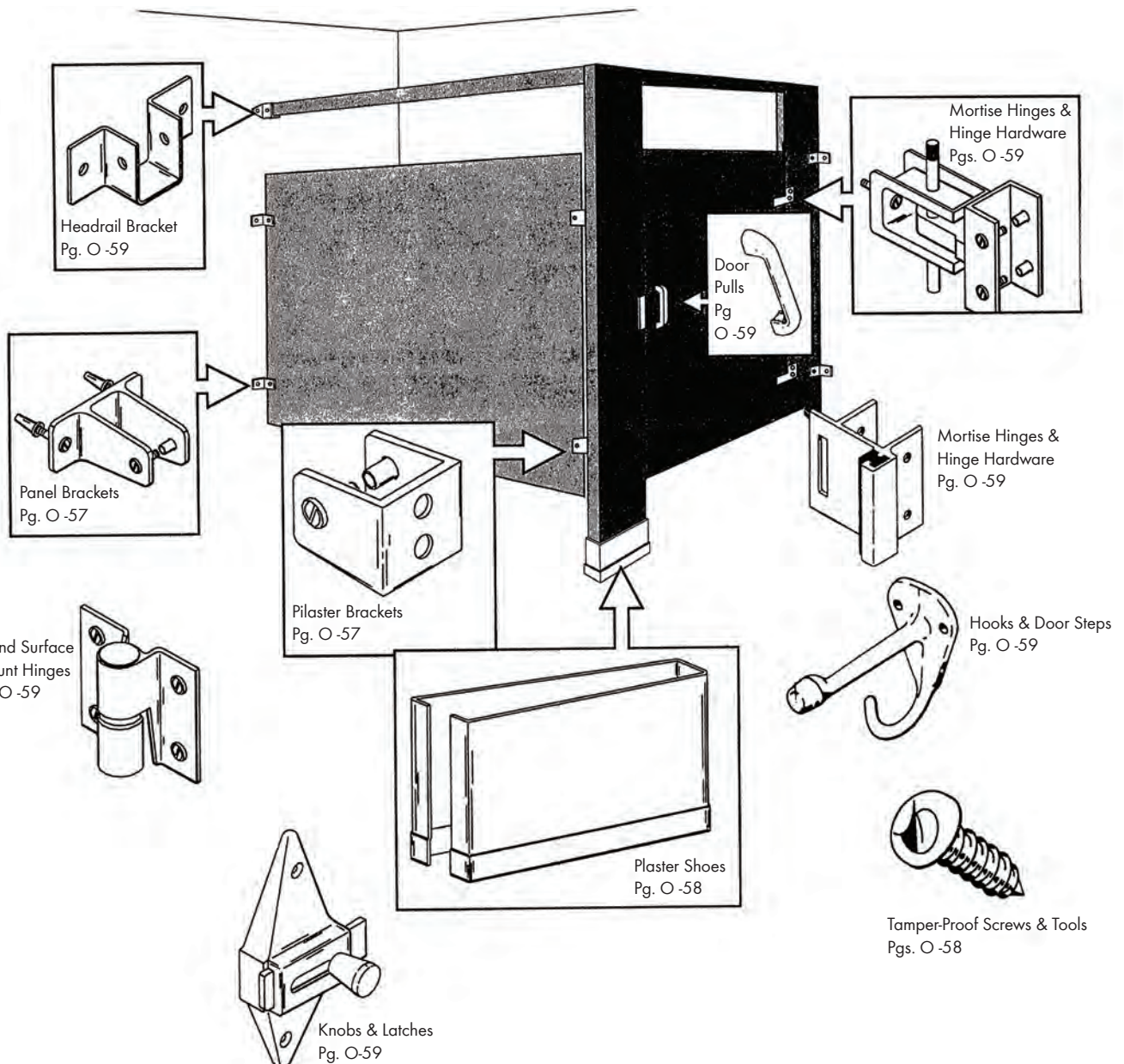
**A TOILET PARTITION HARDWARE**

**B Toilet Partition Hardware Technical Information**



Jacknob® Corp. has been supplying the highest quality partition hardware for over 40 years. The following pages depict just some of the items that are available from Würth Louis and Company's inventory. There are literally hundreds of additional items available on special order as well as other finishes (brass, polished brass and cast or stamped stainless steel). Special orders are shipped within 72 hours.

**About ADA Compliance:** The American Disabilities Act (ADA) of 1992 was enacted to make accessible all areas of public, municipal and commercial buildings to the physically challenged. Public lavatories and restrooms require special consideration to comply with these new and vigorously enforced regulations. The Jacknob® Corporation has placed specific emphasis on thoroughly understanding and providing the correct hardware to satisfy these new laws, and is ready to supply what you need to come up to code. While their hardware meets or exceeds the new ADA guidelines, they and Würth Louis and Company do indemnify ourselves as corporate and individual entities against situations of installation and actions of others as beyond our control.



## TOILET DOOR HARDWARE KIT



### Mortise Hinge Kits - Swing-In & Swing-Out Versions

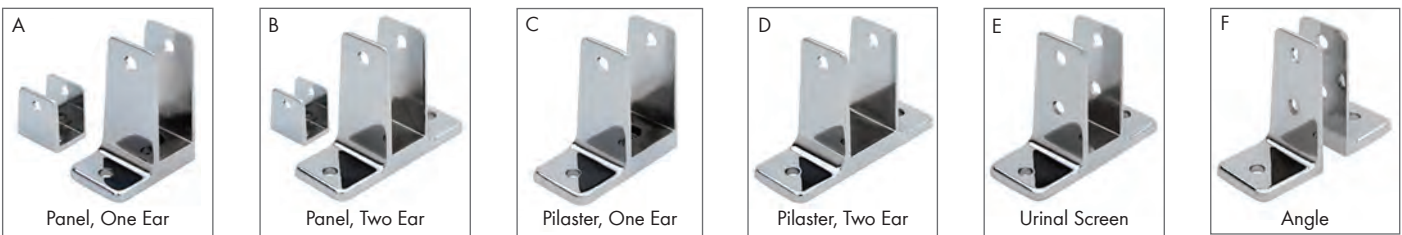


- In-swing means the partition door will swing in towards the toilet
- Out-swing means the partition door will swing away from the toilet
- Zomak with Chrome finish
- Mortise hinges provide 110° of opening
- All hardware kits will complete one door
- Mortise hinges are designed to be used on partitions/pilasters that are 1-1/4" thick
- All hardware kits are supplied with mounting screws

Item #	Door Thickness	Kits Include:
<b>In-Swing</b>		
JK17800	7/8" Door	(1)110° Top Hinge, (1)Top Insert, (1)110°Bottom Hinge, (1) Bottom Insert, (1) Hinge Pin, Strike/Keeper, (1)Latch, & (1) Hook
<b>Out-Swing</b>		
JK27800	7/8" Door	(1)110° Top Hinge, (1) Top Insert, (1)110°Bottom Hinge, (1) Bottom Insert, (1) Hinge Pin, Strike/Keeper, (1) Latch, (1) Hook & (1) Door Pull

### Partition Bracket Kits

- All hardware kits include hardware and screws to install one panel, except for the headrail bracket
- Zamak material with Chrome finish



Item #	Designed for Panel Thickness/ Number of Ears	Kit Includes
<b>Panel Bracket Kits – Used To Attach Panel To Wall And Pilaster</b>		
A JK15090	For 7/8" Panel/One Ear Brackets	(2)Wall Brackets, (2)"U" Brackets & Mounting Screws
B JK15020	For 7/8" Panel/Two Ear Brackets	(2)Wall Brackets, (2)"U" Brackets & Mounting Screws
<b>Pilaster Bracket Kits – Used To Attach Pilaster To Wall</b>		
C JK15230	For 1-1/4" Pilaster/One Ear Brackets	(2)Wall Brackets & Mounting Screws
D JK15220	For 1-1/4" Pilaster/Two Ear Brackets	(2)Wall Brackets & Mounting Screws
<b>Urinal Screen Bracket Kits – Used For Wall Hung Screens</b>		
E JK15420	For 7/8" Screen/Two Ear Brackets	(3)Wall Brackets & Mounting Screws
<b>Angle Bracket Kits – Used To Attach Panel To Wall</b>		
F JK15530	For Any Size Panel	(1)Wall Bracket & Mounting Screws

A  
B  
C  
D  
E  
F  
G  
H  
I  
J  
K  
L  
M  
N  
O  
P  
Q  
R  
S  
T  
U  
V  
W  
X  
Y

**A TOILET PARTITION HARDWARE**



**Toilet Partition Hardware**

- One-Way slotted screws can only be removed with one-way screw removers
- All screws and barrel nuts are made of steel and have a chrome plated finish



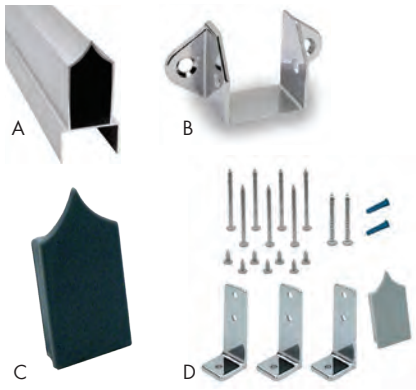
Item #	Description	Includes
<b>Screw Packs – Sold in Pack</b>		
A JK10	1-1/4" Hinge or Strike and Keeper	(2) 5/8" One-Way Barrel Nuts & (2) 1-3/16" One-Way Shoulder Screws
B JK20	For 1" Wall Brackets	(2) Plastic Anchors, (2) 5/8" One-Way Barrel Nuts, (2) 15/16" One-Way Shoulder Screws, (2) #12 X 5/8" Pan Head Screws, & (2) #12 X 1-1/2" Pan Head Screws
C JK50	For Surface Mount Latch	(2) 8-32 X 1" One-Way Machine Screws, (2) 8-32 x 1-1/8" One-Way Machine Screws, & (2) 5/8" Un-Slotted Barrel Nuts
D JK100	Hooks and Door Stops	(3) #10 X 1" One-Way Tapping Screws
<b>One-Way Screw Removers – Sold in Each</b>		
E JK8925	One-Way Screw Remover	Can remove sizes 8-10
E JK8935	One-Way Screw Remover	Can remove sizes 12-14
E JK8905	One-Way Screw Remover - 3 Pack	(1) (Sizes 6-8), (1) (Sizes 8-10) & (1) (Sizes 12-14)
<b>Pilaster Post Shoe Kit</b>		
F JK30810	Pilaster Post Shoe Kit For 1-1/4" Pilaster - (2) Post Shoes and all necessary hardware and screws to install one panel	
F JK30999	(2) 3"H x 10"L Spacer Plates - Made of Stainless Steel with a Stainless Steel finish	
<b>Tissue Holders</b>		
G JK7359	3-1/2" c/c Screw Hole, Single Tissue Holder (2-11/16"H x 5-7/8"L x 4" Projection), Made of Steel, Chrome Finish	
H JK7369	3-1/2" c/c Screw Hole, Double Tissue Holder (2-11/16"H x 11"L x 4" Projection), Made of Steel, Chrome Finish	

<b>Barrel Nuts – One-Way Slotted Truss Head, 10-24 Thread (Bag Qty Only)</b>				Bag Qty
I JK990009703	One-Way Slotted Barrel Nuts	1/2"L x 3/8" Thread Depth		100
I JK990009713	One-Way Slotted Barrel Nuts	5/8"L x 1/2" Thread Depth		100
<b>Shoulder Screws – One-Way Slotted Truss Head, 10-24 Thread (Bag Qty Only)</b>				Bag Qty
J JK990009783	One-Way Slotted Shoulder Screws	3/4" Length		100
J JK990009823	One-Way Slotted Shoulder Screws	1-5/16" Length		100
<b>Sheet Metal Screws – One-Way Slotted Round Head, Type A (Bag Qty Only)</b>				Bag Qty
K JK9173	One-Way Slotted Sheet Metal Screw	#10 x 5/8"		100



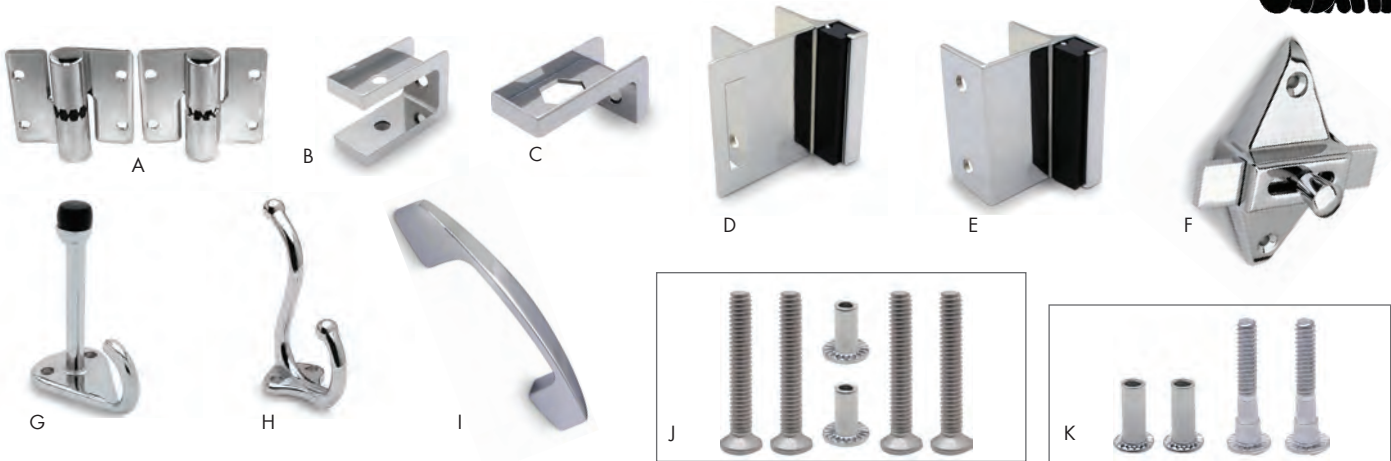
## TOILET DOOR HARDWARE

### Headrail & Brackets



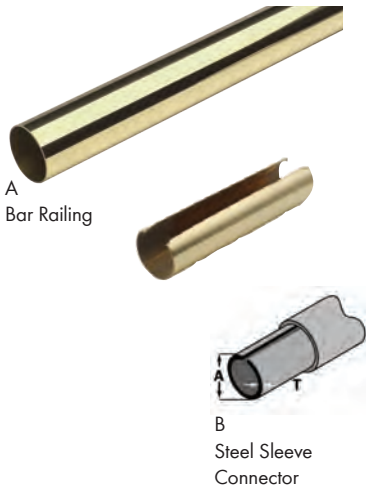
	Item #	Description	Material / Finish
A	JK80152	10' Headrail for 1-1/4" post	Anodized Aluminum/Aluminum
B	JK2170	1-1/4" headrail wall bracket	Zamak / Chrome
C	JK6675	End Cap for headrails	Nylon / Gray
D	JK15790	Corner Bracket Kit for Headrail Includes: (3) "L" Brackets, (1) End Cap, & Mounting Screws	Zamak / Chrome

### Toilet Door Hardware Components



	Item #	Description	Door Type	Material/Finish	For Door Thickness	For Pilaster Size
A	JK7011	Surface Mount Hinges	Right Hand In-Swing / Left Hand Out-Swing	Brass/Chrome Plated	-	-
	JK7021	Surface Mount Hinges	Left Hand In-Swing / Right Hand Out-Swing	Brass/Chrome Plated	-	-
B	JK1540	Mortise Top Insert	In-Swing/Out-Swing	Zamak/Chrome	7/8"	1-1/4"
C	JK1530	Mortise Bottom Insert	In-Swing/Out-Swing	Zamak/Chrome	7/8"	1-1/4"
D	JK5110	Strike/Keeper	In-Swing	Zamak/Chrome	7/8" & 1"	1-1/4"
E	JK5210	Strike/Keeper	Out-Swing	Zamak/Chrome	7/8" & 1"	1-1/4"
F	JK5020	Latch	In-Swing/Out-Swing	Zamak/Chrome	7/8" & 1"	1-1/4"
G	JK4000	Single Prong Hook	In-Swing	Zamak/Chrome	7/8" & 1"	1-1/4"
H	JK4020	Double Prong Hook	Out-Swing	Zamak/Chrome	7/8" & 1"	1-1/4"
I	JK6200	Door Pull	Out-Swing	Zamak/Chrome	7/8" & 1"	1-1/4"
J	JK50	Screws for Latch, (2) 1" Screws, (2) 1-1/8" Screws & (2) 5/8" Barrel Nuts		Zamak/Chrome	-	-
K	JK10	Screw Pack for Strike/Keepers, (2) 5/8" Barrel Nuts & (2) 1-3/16" Shoulder Screws		Zamak/Chrome	-	-

**A BAR & FOOT RAILING ACCESSORIES**



A  
Bar Railing

B  
Steel Sleeve  
Connector

**1-1/2" & 2" Dia. Solid Brass/Stainless Steel Railing**



- Bright Brass finish is made of solid brass
- Satin Stainless Steel finish is made of 304 stainless steel, rust resistant
- Railing is 3/64" thick
- Bar railing sleeves have an inside friction fit which tightly connects two lengths of railing together
- Sleeves are sold separately below

	Dimensions	Length	Bright Brass Item #
A	1-1/2"Dia. x 3/64"Thick	6'	LVA110/1H-6
	1-1/2"Dia. x 3/64" Thick	8'	LV00A110/8
	1-1/2"Dia. x 3/64" Thick	12'	LVA110/1H-12
	2"Dia. x 3/64" Thick	4'	LV00A120/4
	2"Dia. x 3/64" Thick	6'	LVA120/2-6
	2"Dia. x 3/64" Thick	8'	LV00A120/8
	2"Dia. x 3/64" Thick	12'	LVA120/2-12
Sleeve Item #		Description	
B	LV00830/1H	1-1/2" diameter sleeve connector	
	LV00830/2	2" diameter sleeve connector	

	Dimensions	Length	Satin Stainless Steel Item #
A	1-1/2"Dia. x 3/64"Thick	6'	LVA110/1HSSS
	1-1/2"Dia. x 3/64" Thick	8'	LV44A110/8
	1-1/2"Dia. x 3/64" Thick	12'	LVA110/1HSSS-12
	2"Dia. x 3/64" Thick	4'	LV44A120/4
	2"Dia. x 3/64" Thick	6'	LVA120/2SSS-6
	2"Dia. x 3/64" Thick	8'	LV44A120/8
	2"Dia. x 3/64" Thick	12'	LVA120/2SSS-12
Sleeve Item #		Description	
B	LV00830/1H	1-1/2" diameter sleeve connector	
	LV00830/2	2" diameter sleeve connector	



A. Full Round

B. Cut Flanges

**Bar Railing Wall & Cut Flanges Stainless Steel**

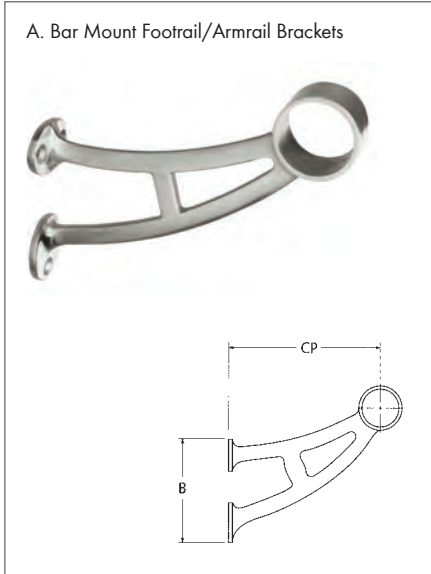


- Satin Stainless Steel finish is made of 304 stainless steel
- Screws included

	Dimensions	Fits Railing Diameter	Item #
Full Round Flanges			
A	3"D x 1-1/4"H	1-1/2"	LV510/1HSSS
	4"D x 1-1/4"H	2"	LV49530/2
Cut Flanges			
B	4"D x 2-1/2"W	2"	LV44531/2

**BAR & FOOT RAILING ACCESSORIES**

A. Bar Mount Footrail/Armrail Brackets



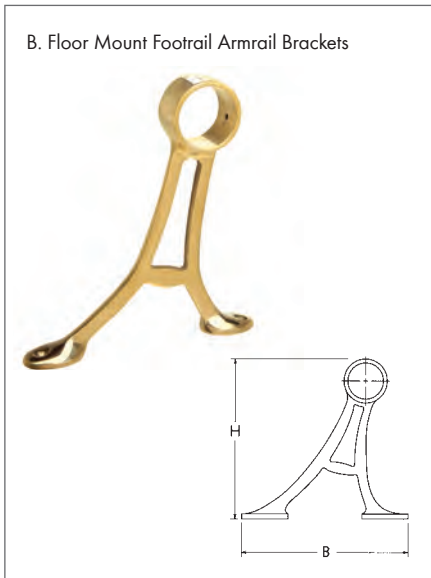
**Solid Brass & Stainless Steel Footrails**



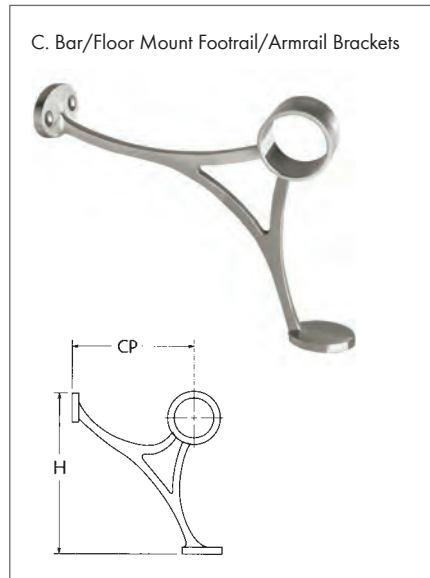
- Bright Brass finish is made of solid brass
- Satin Stainless Steel finish is made of 304 stainless steel
- 4' spacing between brackets is recommended
- Sold with screws

	Dimensions	Fits Railing Size	Bright Brass Item #	Satin Stainless Steel Item #
<b>Bar Mount Footrail/Armrail Brackets</b>				
A	6-1/16"CP x 4"B	1-1/2"	LV402/1H	LV402/1HSSS
	6-7/8"CP x 4-1/4"B	2"	LV402/2	LV402/2SSS
<b>Floor Mount Footrail/Armrail Brackets</b>				
B	6"CP x 6-5/16"B	1-1/2"	LV404/1H	-
	6-1/8"CP x 6-11/16"B	2"	LV404/2	-
<b>Bar/Floor Mount Footrail/Armrail Brackets</b>				
C	6-7/16"CP x 6-5/8"H	1-1/2"	LV400/1H	LV400/1HSSS
	6-1/8"CP x 7"H	2"	LV400/2	LV400/2SSS

B. Floor Mount Footrail Armrail Brackets



C. Bar/Floor Mount Footrail/Armrail Brackets



**A BAR RAILING ACCESSORIES**

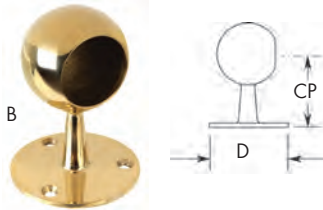
B  
C  
D  
E  
F  
G  
H  
I  
J  
K  
L  
M  
N  
O  
P  
Q  
R  
S  
T  
U  
V  
W  
X  
Y



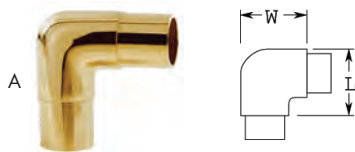
**Bar Railing Handrail/Post Brackets**



- Bright Brass finish is made of solid brass
- Satin Stainless Steel finish is made of 304 stainless steel
- Sold with screws



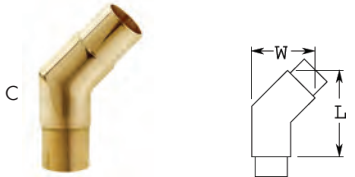
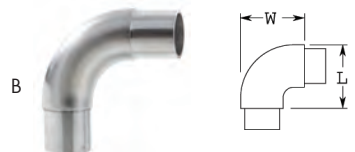
	Dimensions	Railing Size	Bright Brass Item #	Satin Stainless Steel Item #
<b>Flush Center Post</b>				
A	2-7/16"CP x 2-5/16"D	1-1/2"	LV342/1H	LV342/1HSSS
<b>Ball End Post</b>				
B	2-3/4"CP x 2-15/16"D	1-1/2"	LV00330/1H	-
<b>Ball Center Post</b>				
C	5"CP x 3-1/4"D	2"	LV00336/2	-
<b>Standard Handrail Bracket</b>				
D	2-1/2"CP x 2-1/2"D	1-1/2"	LV301/1H	LV301/1HSSS
	2-3/4"CP x 2-1/2"D	2"	LV301/2	LV301/2SSS



**Bar Railing Flush & Ball Fittings  
Solid Brass & Stainless Steel**



- Bright Brass finish is made of solid brass
- Satin Stainless Steel finish is made of 304 stainless steel

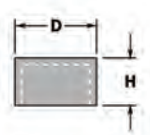


	Dimensions	Fits Railing Size	Bright Brass Item #	Satin Stainless Steel Item #
<b>90° Ell Flush Fittings</b>				
A	2"W x 2"L	1-1/2"	LV00732/1H	LV732/1HSSS
	2-1/2"W x 2-1/2"L	2"	LV00732/2	LV732/2SSS
<b>Radius Ell Flush Fittings</b>				
B	2-7/8"W x 2-7/8"L	1-1/2"	LV731/1H	LV731/1HSSS
	3"W x 3"L	2"	LV731/2	LV731/2SSS
<b>135° Angle Flush Fittings</b>				
C	2-15/16"W x 3"L	1-1/2"	LV730/1H	LV730/1HSSS
	2-7/8"W x 3-3/8"L	2"	LV730/2	LV730/2SSS
<b>Ball 90° Ell Traditional Fittings</b>				
D	2-1/2"D x 2-3/4"L	1-1/2"	LV702/1H	LV702/1HSSS
	3-1/4"D x 3-1/4"L	2"	LV702/2	LV702/2SSS

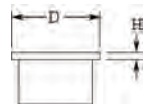
**BAR/FOOT RAILING ACCESSORIES**



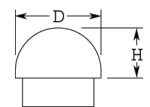
A  
Outer End Cap



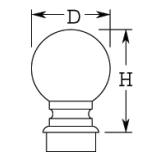
B  
Inner End Cap



C  
Half Ball End Cap



D  
Ball Finial



**Bar Railing End Caps & Finials  
Solid Brass & Stainless Steel**



- Caps the open rail ends of handrails and footrails
- Bright Brass finish is made of solid brass
- Satin Stainless Steel finish is made of 304 stainless steel

Bright Brass Finish			
	Dimensions	Railing Size	Item #
<b>Outer End Cap</b>			
A	2-1/8"D x 7/8"H	2"	LV00600W/2
<b>Inner End Cap</b>			
B	1-1/2"D x 1/8"H	1-1/2"	LV600/1H
	2"D x 1/8"H	2"	LV600/2
<b>Half Ball End Cap</b>			
C	1-1/2"D x 3/4"H	1-1/2"	LV00602/1H
	2"D x 1"H	2"	LV00602/2
<b>Ball Finials</b>			
D	2-5/8"D x 3-1/4"H	1-1/2"	LV604/1H
	3-1/8"D x 4-1/2"H	2"	LV00604/2
<b>Satin Stainless Steel Finish</b>			
	Dimensions	Railing Size	Item #
<b>Inner End Cap</b>			
B	1-1/2"D x 1/8"H	1-1/2"	LV600/1HSSS
	2"D x 1/8"H	2"	LV600/2SSS
<b>Half Ball End Cap</b>			
C	1-1/2"D x 3/4"H	1-1/2"	LV602/1HSSS
	2"D x 1"H	2"	LV602/2SSS



A



B

**Brass Bar Railing  
Accessories**



Item #	Description
<b>Metal Polish</b>	
A LVLLPC	Metal polish used to repolish uncoated brass, aluminum and stainless steel (6.33 oz. tube)
<b>Contact Cement</b>	
B LVLWA	Contact cement used to firmly adhere solid brass connections. Anaerobic cement sets in the absence of air - container is only half full (1 oz.)

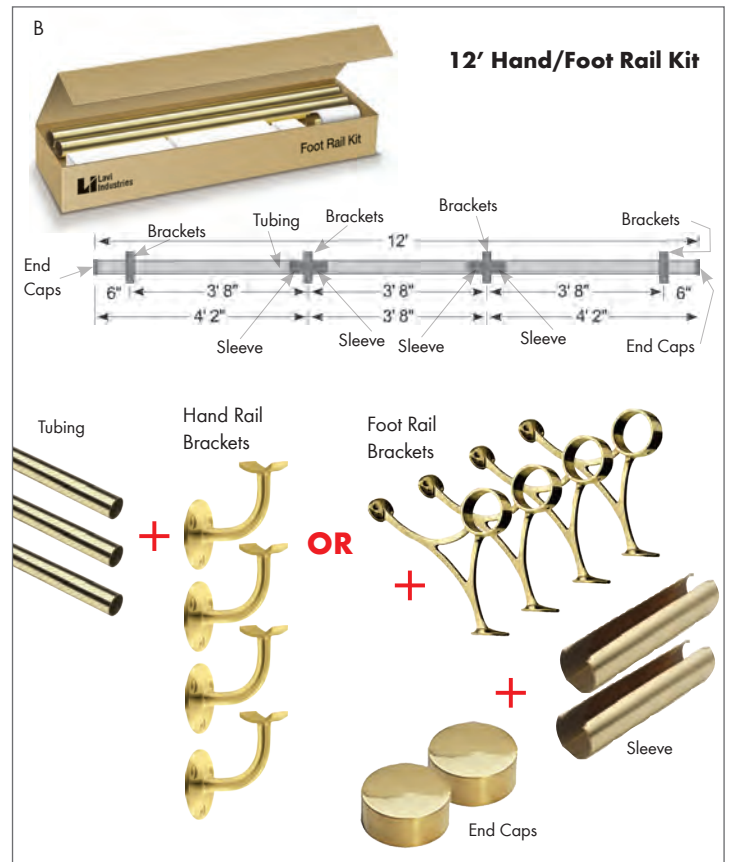
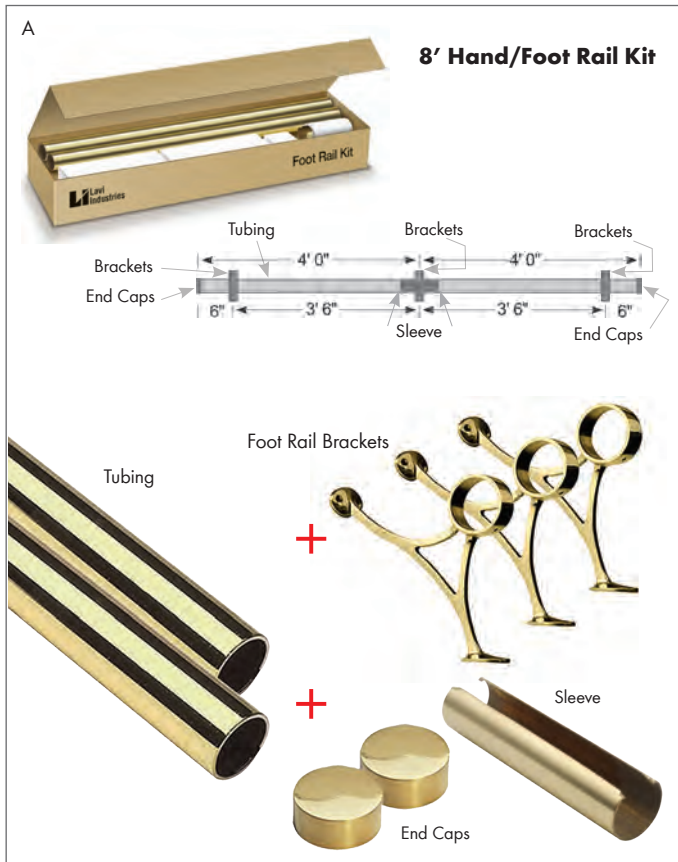
A  
B  
C  
D  
E  
F  
G  
H  
I  
J  
K  
L  
M  
N  
O  
P  
Q  
R  
S  
T  
U  
V  
W  
X  
Y

**A BAR/FOOT RAILING KITS**

**Hand & Foot Rail Kits, 1-1/2" & 2" Diameter Tubing**



- Handrail kits feature 1-1/2" diameter tubing while foot rail kits include 2" diameter rails
- Kits include all material necessary to construct 8' or 12' long straight railing system
- Hand and foot rail kits are available in Bright Brass and Satin Stainless Steel finishes
- All kit components are securely packaged together in a single box to provide convenient transport to the job site and easy assembly/installation



	Bright Brass Item #	Stainless Steel Item #	Description	Kit Includes
A	LVO0FR1008/2	LV44FR1008/2	8' Foot Rail Kit	(2) 2" Dia. x 4'L Rails, (3) Brackets, (1) Internal Sleeve, & (2) End Caps
B	LVO0HR1012/1H	LV44HR1012/1H	12' Hand Rail Kit	(1) 1-1/2"Dia. X 3'8"L Rail, (2) 1-1/2"Dia. X 4'2" Rails, (4) Brackets, (2) Internal Sleeves, & (2) End Caps
	LVO0FR1012/2	LV44FR1012/2	12' Foot Rail Kit	(1) 2"Dia. x 3'8"L Rail, (2) 2"Dia. x 4'2" Rails, (4) Brackets, (2) Internal Sleeves, & (2) End Caps



C



D

**Accessories**

Item #	Description
C	LVLLPC Metal polish used to re-polish uncoated brass, aluminum and stainless steel (6.33 oz. tube)
D	LVLWA Contact cement used to firmly adhere solid brass connections. Anaerobic cement sets in the absence of air - container is only half full (1 oz.)

**SECTION P - TABLE OF CONTENTS**

**Section P Contents:**

Staples ..... 2-3

Brad Nails.....4

Finish Nails .....5

Micro Brads & Micro Pins.....6

Specialty Pneumatic Fasteners.....7

Fastener Overview ..... 8-9

Assembly Screws..... 10-16

Face Frame/Pockethole Screws ..... 16-20

Installation and Trim Screws ..... 21-23

Drywall Screws..... 24

Hinge, Slide & Hardware Screws ..... 25-31

Drawer Front Adjusting Screws ..... 31

Decorative Hardware Screws..... 32-33

Euro Screws ..... 34

Confirmat & Connecting Screws ..... 35

Screwdriver Bits & Accessories..... 36-38

Tite Joint Fasteners (Dogbones)..... 38-39

Covercaps and Finish Washers ..... 40-44

Mirror and Backsplash Clips ..... 45

Top and Desk Top Fasteners, Keyhole Fasteners ..... 46

Mending Plates & Corner Braces..... 46-47

Keku Fasteners..... 48

Post Hangers & Panel Retaining Clips ..... 49

Panel Hanging Clips (Z-Clips) ..... 50-51

Wall Anchors..... 51

Dowel Pins & Rods ..... 52

Biscuits..... 53

Titus Fittings..... 54-56

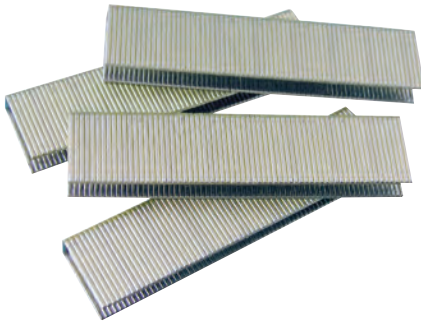


A  
B  
C  
D  
E  
F  
G  
H  
I  
J  
K  
L  
M  
N  
O  
P  
Q  
R  
S  
T  
U  
V  
W  
X  
Y



**A STAPLES**

B  
C  
D  
E  
F  
G  
H  
I  
J  
K  
L  
M  
N  
O  
P  
Q  
R  
S  
T  
U  
V  
W  
X  
Y

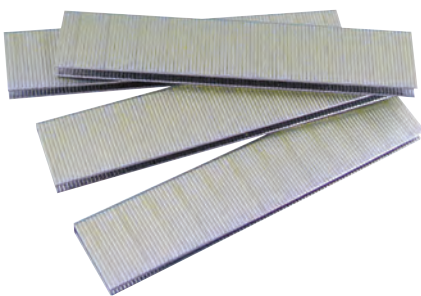


**Staples, 7/16" Medium Crown  
16 Gauge**



- Applications: Furniture and case good face frames and side stiles, desk and cabinet box build up, soffit and fascia, casebacks, countertop build up, hardwood pallets, shipping crates and boxes, sash and millwork
- Sold by the box

Length	Item #	Box Qty
1"	WRS16100L	10,000
1-1/4"	WRS16125L	10,000
1-1/2"	WRS16150L	10,000
1-3/4"	WRS16175L	10,000
2"	WRS16200L	10,000

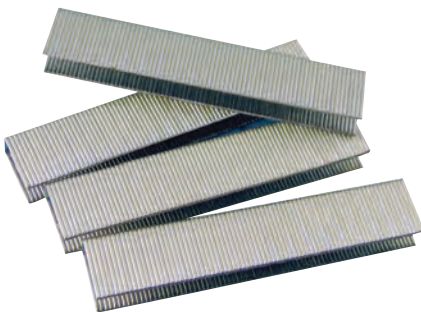


**Staples, 7/32" Crown  
18 Gauge**



- Applications: Cabinet building, underlayment, moldings
- Sold by the box

Length	Item #	Box Qty
3/4"	WRS18075N	5,000
1-3/16"	WRS18119N	3,000
1-1/4"	WRS18125N	3,000



**Staples, 3/8" Crown  
18 Gauge**



- Applications: Cabinetry and furniture, aluminum siding, mobile homes and RV's, and light metal to wood attachment
- Sold by the box

Length	Würth Item #	Box Qty	Senco Item # Galvanized Finish	Box Qty	Senco Item # Bright Basic Finish	Box Qty
1/2"	WRS18050M	5,000	-	-	-	-
5/8"	WRS18063M	5,000	SNCM10BABN	5,000	SNCM10BRBN	5,000
3/4"	WRS18075M	5,000	SNCM11BABN	5,000	SNCM11BRBN	5,000
1"	WRS18100M	5,000	-	-	-	-



**STAPLES**

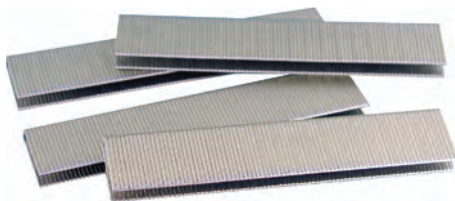


**Staples, 1/4" Narrow Crown  
18 Gauge**



- Applications: Casebacks, pre-hung units, paneling, interior trim, drawers underlayment, door and window casings, cabinet assembly, lattice glue blocks, moldings and cabinet box assembly
- Sold by the box

Length	Würth Item #	Box Qty	Senco Item #	Box Qty
1/2"	WRS18050KT	5,000	SNCL08BAB	10,000
5/8"	WRS18063K	5,000	SNCL10BAB	5,000
3/4"	WRS18075K	5,000	SNCL11BAB	5,000
7/8"	WRS18088K	5,000	SNCL12BAB	5,000
1"	WRS18100K	5,000	SNCL13BAB	5,000
1-1/8"	WRS18113K	5,000	SNCL14BAB	5,000
1-1/4"	WRS18125K	5,000	SNCL15BAB	5,000
1-1/2"	WRS18150K	5,000	SNCL17BAB	5,000

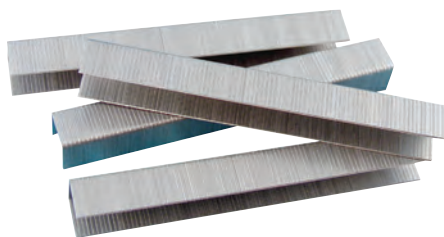


**Staples, 1/4" Crown  
19 Gauge**



- Applications: Cabinets, casebacks, underlayment, molding and trim, lattice, and hardwood floors
- Sold by the box

Length	Würth Item #	Box Qty
3/4"	WRS19075R	5,000



**Staples, 1/2" Crown  
20 Gauge**



- Applications: Casebacks, molding, upholstery, and dust covers
- Sold by the box

Length	Senco Item #	Box Qty
3/8"	SNCF06BAA	10,000
1/2"	SNCF08BAA	10,000

**LOOKING FOR A NEW STAPLE GUN?**  
See Section V

A  
B  
C  
D  
E  
F  
G  
H  
I  
J  
K  
L  
M  
N  
O  
P  
Q  
R  
S  
T  
U  
V  
W  
X  
Y

**A BRAD NAILS**

B  
C  
D  
E  
F  
G  
H  
I  
J  
K  
L  
M  
N  
O  
P  
Q  
R  
S  
T  
U  
V  
W  
X  
Y



**Slight Head Brad Nails  
18 Gauge**



- Applications: Cabinets, furniture, woodworking, trim, dowels and joints, cabinet door frames and panels, drawer assembly, decorative wood, and plastic pieces
- Sold by the box

Length	Würth Item #	Box Qty	Senco Item #	Box Qty
5/8"	WRN18063B	5,000	SNCA110EAA	5,000
3/4"	WRN18075B	5,000	SNCA111EAA	5,000
1"	WRN18100B	5,000	SNCA113EAA	5,000



**Brad Nails  
18 Gauge**

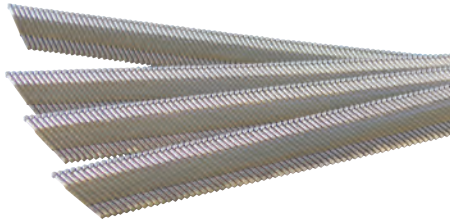


- Applications: Carvings and ornamentals, furniture repair, cabinets and drawers, casebacks, small trim and baseboards
- Sold by the box

Length	Würth Item #	Box Qty	Senco Item #	Box Qty
1/2"	WREB812B	5,000	-	-
5/8"	WRN18063A	5,000	-	-
3/4"	WRN18075A	5,000	SNCA111EAAP	5,000
1"	WRN18100A	5,000	SNCA113EAA	5,000
1-3/16"	WRN18119A	5,000	-	-
1-1/4"	WRN18125A	5,000	SNCA115EAA	5,000
1-1/2"	WRN18150A	5,000	SNCA117EAA	5,000
1-9/16"	WRN18156A	5,000	-	-
1-5/8"	-	-	SNCA118EAA	5,000
1-3/4"	WRN18175A	5,000	-	-
2"	WRN18200A	5,000	SNCA211EAAN	5,000
2-1/8"	-	-	SNCA22EAA	5,000

Mini Packs		
Length	Senco Item #	Box Qty
1"	SNCA201009	1,000
1-1/4"	SNCA201259	1,000
1-1/2"	SNCA201509	800
2"	SNCA202009	800

**FINISH NAILS**



**Angled Finish Nails  
15 Gauge**

- Applications: Vanities, molding and trim, dowels and joints, cabinet door frames, drawer assembly, picture frames, scribe moldings, furniture repair, carvings, ornamentals, blind pinning of upholstered and trim panels, and rattan
- Sold by the box



Length	Würth Item #	Box Qty	Senco Item #	Box Qty
1"	WRN15100E	4,000	SNCDA13EPB	5,000
1-1/4"	WRN15125E	4,000	SNCDA15EPB	4,000
1-1/2"	WRN15150E	4,000	SNCDA17EPB	4,000
1-3/4"	WRN15175E	4,000	SNCDA19EPB	4,000
2"	WRN15200E	4,000	SNCDA21EPB	4,000
2-1/4"	WRN15225E	4,000	SNCDA23EPB	4,000
2-1/2"	WRN15250E	4,000	SNCDA25EPB	3,000



**Finish Nails  
16 Gauge**

- Applications: Cabinets, shelving, drawer boxes, trim and molding build-ups, and chair railings
- Sold by the box



Length	Item #	Box Qty
1"	WRN16100D	5,000
1-1/4"	WRN16125D	5,000
1-1/2"	WRN16150D	5,000
1-3/4"	WRN16175D	5,000
2"	WRN16200D	5,000
2-1/2"	WRN16250D	5,000

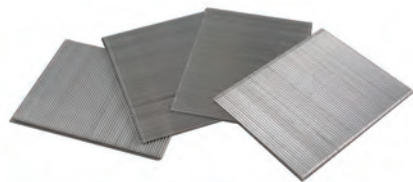
**LOOKING FOR A NEW  
FINISH NAILER?**

See Section V



**A MICRO BRADS/PINS**

B  
C  
D  
E  
F  
G  
H  
I  
J  
K  
L  
M  
N  
O  
P  
Q  
R  
S  
T  
U  
V  
W  
X  
Y



**Micro Brads  
23 Gauge**

- Applications: Cabinet doors, light trim, carvings and ornamentals and picture frames
- Sold by the box



Length	Item #	Box Qty
7/8"	WRN23088B	10,000
1"	WRN23100B	10,000
1-3/16"	WRN23119B	10,000
1-3/8"	WRN23138B	10,000



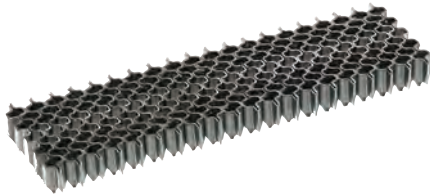
**Micro Pins  
23 Gauge**

- Applications: Cabinet doors, light trim, carvings and ornamentals and picture frames
- SNCA109809 Assortment Pack contains 1/2" - 1" Micro Pins
- Sold by the mini pack or box



Length	Würth Item #	Box Qty	Senco Item #	Mini pack Qty	Senco Item #	Box Qty
1/2"	WRN23050F-10	10,000	SNCA100509	2,600	-	-
5/8"	WRN23058F-10	10,000	SNCA100629	2,600	SNCCZ10EAA	10,000
3/4"	WRN23075F-10	10,000	SNCA100759	2,600	-	-
1"	WRN23100F-10	10,000	SNCA101009	2,600	SNCCZ13EAA	10,000
1-1/4"	-	-	SNCA101259	2,600	SNCCZ15EAA	10,000
1-3/8"	-	-	SNCA101379	2,600	SNCCZ16EAA	10,000
1-1/2"	-	-	-	-	SNCCZ17EAA	10,000
2"	-	-	-	-	SNCCZ21EAA	10,000
Multi Pack: 1/2", 5/8", 3/4", 1"			SNCA109809	2,500 Total	-	-

## SPECIALTY PNEUMATIC FASTENERS



### Corrugated Fasteners, 1" Crown 25 Gauge



- Applications: Butt Joints, cabinets, door and window sashes, millwork, pallets and pallet repair, crate and box assembly
- Sold by the box

Length	Item #	Box Qty
3/8"	SNCX06NRA	5,000
1/2"	SNCX08NRA	4,000



### Sendlamp 7/16" Crown 25 Gauge



- Applications: Butt Joints, cabinets, curios, mirror and picture frames
- Sold by the box

Length	Item #	Box Qty
5/16"	SNCY05BFA	3,000
7/16"	SNCY07BFA	3,000
9/16"	SNCY09BFA	3,000

Visit us on our website: [wurthlac.com](http://wurthlac.com)





Shopping Cart  
\$0.00

Shop By Category

Home

LEAVE THE DUST  
BEHIND WITH  
3M XTRACT™  
ABRASIVES!



GOVERNMENT

CATALOGS  
& LITERATURE

MACHINERY

A  
B  
C  
D  
E  
F  
G  
H  
I  
J  
K  
L  
M  
N  
O  
P  
Q  
R  
S  
T  
U  
V  
W  
X  
Y

**A FASTENER OVERVIEW**

B  
C  
D  
E  
F  
G  
H  
I  
J  
K  
L  
M  
N  
O  
P  
Q  
R  
S  
T  
U  
V  
W  
X  
Y

### Head Guide

Flat	Flat with Nibs (Nibs make it easier to countersink)
Bugle	Pan
Modified Pan	Truss
Modified Truss	Trim
Round Washer	Undercut

### Drive Guide

**Phillips-Slot**  
Combination/utility drive found primarily in truss head machine screws.

**AW**  
Patented drive system that entirely eliminates spin out (cam-out) while providing greater power transfer, longer tool life, and positive engagement that a 3" screw can be held without holders.

**Combo (Recex®)**  
Easy driving square/phillips combination drive provides higher torque and reduces spinout.  
Recommended that square drive used for driving and square/phillips used for screw removal.

**Phillips**  
Most common drive for wood applications and drive drills.

**Square**  
Square drive improves engagement, reducing spin out in power driving.

**Pozidrive**  
Designed to provide higher torque in hand driving operations.

**Thread and Point Guide**

<p><b>Fine Thread</b></p> <p>General woodworking use, primarily with solid woods and hardwood. Requires pre-drilling and pre-countersinking.</p>
<p><b>Hi-Lo Thread</b></p> <p>"All-purpose" thread. Designed for greater holding and less strip-out in all woods.</p>
<p><b>Coarse Thread</b></p> <p>Used in particleboard and soft woods. Best results require pre-drilling and countersinking.</p>
<p><b>Turbo Thread</b></p> <p>Virtually eliminates pre-drilling and countersinking. With features like nibs and a patented serrated tooth thread for less driving torque and reduced splitting. Recommended for real wood only - not for use in man made materials.</p>

<p><b>ASSY®</b></p> <p>Patented "Asymmetrical / Symmetrical" thread geometry and 30° point locates screw precisely, drives fast, with 40% higher fracture torque than ordinary screws.</p>
<p><b>ASSY® Plus</b></p> <p>Patented "ASSY" thread design plus a drill bit cutter head for clean, fast, non-splitting drive into all woods and near edges.</p>
<p><b>Type 17 Auger Point</b></p> <p>Sharp slotted point acts as drill to eliminate pre-drilling for quicker, faster installation.</p>
<p><b>Double Auger</b></p> <p>Fast, stress-free driving; minimizes pre-drilling in hardwoods.</p>
<p><b>Flat Screw Point</b></p> <p>Machine screws. Used to attach decorative hardware and in RTA applications.</p>

## FASTENER OVERVIEW

### STRONGER THAN STEEL! How Strong are our screws?

Heat-treating makes our screws tough enough to drive into red oak without a pilot hole, tough enough to resist the forces trying to blow apart the driver bit recess as the screw is driven, tough enough to keep the driver bit from stripping out the recess, and tough enough to resist breakage when a load is placed on a screwed joint. Go into most hardware stores and home centers and the screws you find will be poorly heat-treated, or not heat-treated at all!

Company	Screw Size	Threads per Inch	Major Diameter	Minor Diameter	Minimum Breaking Torque (Lb. per Sq. Inch)
<b>Würth</b>	<b>#5</b>	<b>13</b>	<b>.120 - .130</b>	<b>.080 - .086</b>	<b>17</b>
Competitor A	#5	14	.122 - .128	.072 - .078	18
Competitor B	#5	13	.118 - .125	.068 - .075	16
<b>Würth</b>	<b>#6</b>	<b>12</b>	<b>.140 - .150</b>	<b>.088 - .093</b>	<b>23</b>
Competitor A	#6	13	.135 - .141	.078 - .087	18
Competitor B	#6	12	.130 - .140	.076 - .076	17
<b>Würth (Top Mover!)</b>	<b>#8</b>	<b>10</b>	<b>.161 - .168</b>	<b>.100 - .105</b>	<b>38</b>
Competitor A	#8	11	.161 - .168	.094 - .103	28
Competitor B	#8	12	.160 - .170	.092 - .102	28
<b>Würth</b>	<b>#10</b>	<b>9</b>	<b>.196 - .206</b>	<b>.118 - .123</b>	<b>50</b>
Competitor A	#10	9	.187 - .194	.110 - .119	39
Competitor B	#10	9	.188 - .198	.108 - .118	40
<b>Würth</b>	<b>#12</b>	<b>11</b>	<b>.218 - .230</b>	<b>.135 - .140</b>	<b>70</b>
Competitor A	#12	8	.225 - .230	.169 - .170	65
Competitor B	#12	9	.215 - .225	.130 - .140	62

- The information above was taken from company web sites or other published data\*
- All dimensional and test data based on standard Deep Thread screws\*

Würth uses only the finest quality 1018-1022 carbon steel to manufacture their fasteners. Our special heat treating process ensures maximum strength and breaking torque. All Würth Screws are manufactured to meet or exceed I.F.I. (International Fastener Institute) standards. We manufacture the majority of our fasteners in our own factories to ensure consistency and to control quality.

**A ASSEMBLY SCREWS**

B  
C  
D  
E  
F  
G  
H  
I  
J  
K  
L  
M  
N  
O  
P  
Q  
R  
S  
T  
U  
V  
W  
X  
Y

**Flat Head Square Drive, Coarse Thread Without Nibs, Regular Point**



- 3/4" and 1" lengths are threaded

fully - all other sizes are threaded  
2/3's from bottom of the screw

- Case hardened, Lubricated
- Uses #2 Square Drive bits
- Box quantities as shown on right
- Sold by the box



Length x Gauge	Finish	Box Qty	Item #	Quick Code	Bulk Qty	Item #	Quick Code
3/4" x 6	Lubricated	1,000	WUMS6X34FSCLT	L39215	15,000	WUMS6X34FSCLB	L39217
1" x 8	Lubricated	1,000	WUWS8X100FSCLT	L39230	10,000	WUWS8X100FSCLB	L39232
1-1/4" x 8	Lubricated	1,000	WUWS8X114FSCLT	L39235	7,500	WUWS8X114FSCLB	L39237
1-1/2" x 8	Lubricated	1,000	WUWS8X112FSCLT	L39240	5,000	WUWS8X112FSCLB	L39242
1-3/4" x 8	Lubricated	1,000	WUWS8X134FSCLT	L39250	4,000	WUWS8X134FSCLB	L39252
2" x 8	Lubricated	1,000	WUWS8X200FSCLT	L39255	3,500	WUWS8X200FSCLB	L39257
2-1/4" x 8	Lubricated	-	-	-	3,000	WUWS8X214FSCLB	L39262
2-1/2" x 8	Lubricated	1,000	WUWS8X212FSCLT	L39265	2,500	WUWS8X212FSCLB	L39267
3" x 8	Lubricated	1,000	-	-	1,500	WUWS8X300FSCLB	L39270

**Flat Head Square Drive, Coarse Thread With Nibs, Type 17 Auger Point**



- 1" are threaded fully - all other sizes are threaded 2/3's from bottom of the screw
- Case hardened finishes listed on right
- #2 Square Drive bits
- Box quantities as shown below
- Sold by the box, bucket or case



Size	Box			Bucket			Bulk		
	Item #	Quick Code	Box Qty	Item #	Quick Code	Bucket Qty	Item #	Quick Code	Bulk Qty
<b>Black Oxidized Finish</b>									
1" x 8	WUWS8X1FCSBNPT	L37100	1,000	WUWST8X100FCSTNPB	LT3712	7,000	WUWS8X1FCSBNPB	L37120	11,000
1-1/4" x 8	WUWS8X114FCSBNPT	L37140	1,000	WUWST8X114FCSTNPB	LT3716	5,000	WUWS8X114FCSBNPB	L37160	9,000
1-1/2" x 8	WUWS8X112FCSBNPT	L37180	1,000	WUWST8X112FCSTNPB	LT3720	5,000	WUWS8X112FCSBNPB	L37200	7,000
1-5/8" x 8	WUWS8X158FCSBNPT	L37220	1,000	WUWST8X158FCSTNPB	LT3724	3,500	-	-	-
1-3/4" x 8	WUWS8X134FSCBT	L37260	1,000	-	-	-	WUWS8X158FCSBNPB	L37240	5,500
2" x 8	WUWS8X2FCSBNPT	L37280	1,000	WUWST8X200FCSTNPB	LT3730	3,000	WUWS8X2FCSBNPB	L37300	4,000
2-1/4" x 8	WUWS8X214FSCBT	L37305	1,000	WUWST8X214FCSTNPB	LT3731	2,500	WUWS8X214FSCB	L37310	3,500
2-1/2" x 8	WUWS8X212FCSBNPT	L37340	1,000	WUWST8X212FCSTNPB	LT3735	2,500	WUWS8X212FCSBNPB	L37350	2,500
3" x 8	WUWS8X3FCSBNPT	L37380	1,000	WUWST8X300FCSTNPB	LT3739	2,000	WUWS8X3FCSBNPB	L37390	2,000
<b>Zinc Finish</b>									
1" x 8	WUWS8X1FCSZNPT	L31600	1,000	WUWST8X100FCSZNPB	LT3170	7,000	WUWS8X1FCSZNPB	L31700	11,000
1-1/4" x 8	WUWS8X114FCSZNPT	L31800	1,000	WUWST8X114FCSZNPB	LT3190	5,000	WUWS8X114FCSZNPB	L31900	9,000
1-1/2" x 8	WUWS8X112FCSZNPT	L38800	1,000	WUWST8X112FCSZNPB	LT3890	5,000	WUWS8X112FCSZNPB	L38900	7,000
1-5/8" x 8	WUWS8X158FCSZNPT	L39000	1,000	WUWST8X158FCSZNPB	LT3910	3,500	WUWS8X158FCSZNPB	L39100	5,500
1-3/4" x 8	WUWS8X134FSCZT	L39110	1,000	-	-	-	WUWS8X134FSCZB	L39120	4,800
2" x 8	WUWS8X2FCSZNPT	L39200	1,000	WUWST8X200FCSZNPB	LT3930	3,000	WUWS8X2FCSZNPB	L39300	4,000
2-1/4" x 8	WUWS8X214FCSZNPT	L39400	1,000	WUWST8X214FCSZNPB	LT3950	2,500	WUWS8X214FCSZNPB	L39500	3,500
2-1/2" x 8	WUWS8X212FCSZNPT	L39710	1,000	WUWST8X212FCSZNPB	LT3971	2,500	WUWS8X212FCSZNPB	L39715	2,500
3" x 8	WUWS8X3FCSZNPT	L39800	1,000	WUWST8X300FCSZNPB	LT3990	2,000	WUWS8X3FCSZNPB	L39900	2,000



## ASSEMBLY SCREWS

### Flat Head Recex (Combo Phillips & Square) Drive, Coarse Thread With or Without Nibs, Regular Point



- 1" lengths are threaded fully - all other sizes are threaded 2/3's from bottom of the screw
- Case hardened, Lubricated
- Uses #2 Square Drive bits to insert; #2 Phillips Drive bits can be used for aftermarket adjustment
- Box quantities as shown below
- Sold by the box



Without Nibs, With Regular Point



With Nibs, With Regular Point

Length x Gauge	Finish	Box Qty	Item #	Quick Code	Bulk Qty	Item #	Quick Code
<b>Without Nibs, Regular Point</b>							
1" x 8	Lubricated	1,000	WUWS8X100FCCLT	L38820	10,000	WUWS8X100FCCLB	L38822
1-1/4" x 8	Lubricated	1,000	WUWS8X114FCCLT	L38825	7,500	WUWS8X114FCCLB	L38827
1-1/2" x 8	Lubricated	1,000	WUWS8X112FCCLT	L38830	5,000	WUWS8X112FCCLB	L38832
1-3/4" x 8	Lubricated	-	-	-	4,000	WUWS8X134FCCLB	L38837
2" x 8	Lubricated	1,000	WUWS8X200FCCLT	L38842	3,500	WUWS8X200FCCLB	L38840
2-1/2" x 8	Lubricated	-	-	-	2,500	WUWS8X212FCCLB	L38852
3" x 8	Lubricated	-	-	-	1,500	WUWS8X300FCCLB	L38870
<b>With Nibs, Regular Point</b>							
1-1/4" x 8	Lubricated	1,000	WUWS8X114FCCLT	L39020	7,500	WUWS8X114FCCLB	L39022
1-1/2" x 8	Lubricated	1,000	WUWS8X112FCCLT	L39025	5,000	WUWS8X112FCCLB	L39027
1-3/4" x 8	Lubricated	1,000	WUWS8X134FCCLT	L39030	4,000	WUWS8X134FCCLB	L39032
2" x 8	Lubricated	-	-	-	3,500	WUWS8X200FCCLB	L39037
2-1/2" x 8	Lubricated	-	-	-	2,500	WUWS8X212FCCLB	L39055
3" x 8	Lubricated	-	-	-	1,500	WUWS8X300FCCLB	L39075



\* #9 body with #8 head

### Flat Head Recex (Combo Phillips & Square) Drive, Coarse Thread With Nibs and Double Auger Point



- Double Auger for faster, stress-free driving; minimizes pre-drilling in hardwoods
- Case hardened, Lubricated
- Uses #2 Square Drive bits to insert; #2 Phillips Drive bits can be used for aftermarket adjustment
- Box quantities as shown below
- Sold by the box

Length x Gauge	Finish	Box Qty	Item #	Bulk Qty	Item #
1-1/4" x 8	Lubricated	1,000	QS006024	9,000	QS005440
1-1/2" x 8	Lubricated	1,000	QS006025	7,000	QS005441
1-5/8" x 8	Lubricated	1,000	QS006026	5,000	QS005442
2" x 8	Lubricated	1,000	QS006027	4,000	QS005443
2-1/2" x 8	Lubricated	500	QS006029	2,500	QS005445
3" x 8	Lubricated	-	-	2,000	QS005446
1-1/4" x 8	Zinc	-	-	9,000	QS003122
1-5/8" x 8	Zinc	1000	QS005564	6000	QS003124
2" x 8	Zinc	-	-	4000	QS003125
2-1/2" x 8	Zinc	-	-	2500	QS005896
2-1/2" x 9*	Zinc	500	QS009134	2500	QS009012
3" x 8	Zinc	-	-	2000	QS005897

A  
B  
C  
D  
E  
F  
G  
H  
I  
J  
K  
L  
M  
N  
O  
P  
Q  
R  
S  
T  
U  
V  
W  
X  
Y

**A ASSEMBLY SCREWS**

B  
C  
D  
E  
F  
G  
H  
I  
J  
K  
L  
M  
N  
O  
P  
Q  
R  
S  
T  
U  
V  
W  
X  
Y



**Flat Head Recex (Combo Phillips & Square) Drive, Coarse Thread With Nibs and Type 17 Auger Point**



- 1" lengths are threaded fully - all other sizes are threaded 2/3's from bottom of the screw
- Case hardened, finishes listed below
- Uses #2 Square Drive bits to insert; #2 Phillips Drive bits can be used for aftermarket adjustment
- Box quantities as shown below
- Sold by the box

Length x Gauge	Finish	Box Qty	Item #	Quick Code	Bulk Qty	Item #	Quick Code
1" x 8	Black	1,000	WUWS8X100FCCSBT	L36710	11,000	WUWS8X100FCCSBB	L36715
1-1/4" x 8	Black	1,000	WUWS8X114FCCSBT	L36720	9,000	WUWS8X114FCCSBB	L36725
1-1/2" x 8	Black	1,000	WUWS8X112FCCSBT	L36730	7,000	WUWS8X112FCCSBB	L36735
1-3/4" x 8	Black	1,000	WUWS8X134FCCSBT	L36750	4,800	WUWS8X134FCCSBB	L36755
2" x 8	Black	1,000	WUWS8X200FCCSBT	L36760	4,000	WUWS8X200FCCSBB	L36765
2-1/4" x 8	Black	1,000	WUWS8X214FCCSBT	L36770	3,500	WUWS8X214FCCSBB	L36775
2-1/2" x 8	Black	1,000	WUWS8X212FCCSBT	L36780	2,500	WUWS8X212FCCSBB	L36785
3" x 8	Black	1,000	WUWS8X300FCCSBT	L36790	2,000	WUWS8X300FCCSBB	L36793
1" x 8	Zinc	1,000	WUWS8X100FCCSZT	L36820	-	-	-
1-1/4" x 8	Zinc	1,000	WUWS8X114FCCSZT	L36822	9,000	WUWS8X114FCCZB	L36830
1-1/2" x 8	Zinc	1,000	WUWS8X112FCCSZT	L36835	7,000	WUWS8X112FCCZB	L36840
1-5/8" x 8	Zinc	1,000	WUWS8X158FCCSZT	L36845	5,500	WUWS8X158FCCSZB	L36850
2" x 8	Zinc	1,000	WUWS8X200FCCSZT	L36870	4,000	WUWS8X200FCCZB	L36875
2-1/4" x 8	Zinc	-	-	-	3,500	WUWS8X214FCCSZB	L36885
2-1/2" x 8	Zinc	1,000	WUWS8X212FCCSZT	L36890	2,500	WUWS8X212FCCZB	L36895
3" x 8	Zinc	-	-	-	2,000	WUWS8X300FCCZB	L36910



**Turbo Thread Jars**

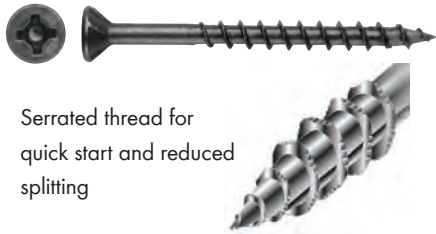


- Our top selling Turbo Thread screw, shown at top of next page, but in convenient smaller jar quantities
- Flip up handle plastic jar is convenient to move around the shop or jobsite
- Sold by the jar

Length x Gauge	Finish	Jar Qty	Item #
1-1/4" x 8	Lubricated	500	WU32550-JAR
1-1/2" x 8	Lubricated	500	WU32950-JAR
2" x 8	Lubricated	250	WU33350-JAR
2-1/2" x 8	Lubricated	250	WU33750-JAR

**FREE 2" DRIVE BIT IN EACH JAR!**

## ASSEMBLY SCREWS



Serrated thread for quick start and reduced splitting

### Flat Head Recex (Combo Phillips & Square) Drive, Turbo Thread w/Nibs, Regular Point



- Patented serrated tooth turbo thread allows for quick starting, reduced splitting and less drive torque
- Use in all wood working applications: assembly, face frame, slides, hinges and hardware
- 3/4" and 1" lengths are threaded fully - all other sizes are threaded 2/3's from bottom of the screw
- Case hardened, Lubricated
- Uses #2 Square Drive bits to insert; #2 Phillips Drive bits used for aftermarket adjustment
- Box quantities as shown below • Sold by the box

Length x Gauge	Finish	Box Qty	Item #	Quick Code	Bulk Qty	Item #	Quick Code
3/4" x 8	Lubricated	-	-	-	15,000	WUWS8X34FZCLNCB	L31950
1" x 8	Lubricated	1,000	WUWS8X1FZCLNCT	L32000	10,000	WUWS8X1FZCLNCB	L32100
1-1/8" x 8	Lubricated	1,000	WUWS8X118FZCLNCT	L32200	8,000	WUWS8X118FZCLNCB	L32300
1-1/4" x 8	Lubricated	1,000	WUWS8X114FZCLNCT	L32400	7,500	WUWS8X114FZCLNCB	L32500
1-3/8" x 8	Lubricated	1,000	WUWS8X138FZCLNCT	L32600	-	-	-
1-1/2" x 8	Lubricated	1,000	WUWS8X112FZCLNCT	L32800	5,000	WUWS8X112FZCLNCB	L32900
1-3/4" x 8	Lubricated	1,000	WUWS8X134FZCLNCT	L33000	4,000	WUWS8X134FZCLNCB	L33100
2" x 8	Lubricated	1,000	WUWS8X2FZCLNCT	L33200	3,500	WUWS8X2FZCLNCB	L33300
2-1/4" x 8	Lubricated	1,000	WUWS8X214FZCLNCT	L33400	-	WUWS8X214FZCLNCB	L33500
2-1/2" x 8	Lubricated	1,000	WUWS8X212FZCLNCT	L33600	2,500	WUWS8X212FZCLNCB	L33700
2-3/4" x 8	Lubricated	1,000	WUWS8X234FZCLNCT	L33800	2,000	WUWS8X234FZCLNCB	L33900
3" x 8	Lubricated	1,000	WUWS8X3FZCLNCT	L34000	1,500	WUWS8X3FZCLNCB	L34100

### Flat Head Phillips Drive Screws, Coarse Thread Without Nibs, Regular Point



- 3/4" and 1" lengths are threaded fully - all other sizes are threaded 2/3's from bottom of the screw
- Case hardened, finishes listed below
- Uses #2 Phillips Drive bits
- Box quantities as shown below • Sold by the box



Length x Gauge	Finish	Box Qty	Item #	Quick Code	Bulk Qty	Item #	Quick Code
3/4" x 6	Lubricated	1,000	WUMS6X34FPCFLT	L38720	15,000	WUMS6X34FPCFLB	L38710
1" x 8	Lubricated	1,000	WUWS8X100FPCFLT	L38730	10,000	WUWS8X100FPCFLB	L38732
1-1/4" x 8	Lubricated	-	-	-	7,500	WUWS8X114FPCFLB	L38738
1-1/2" x 8	Lubricated	-	-	-	5,000	WUWS8X200FPCFLB	L38742
2" x 8	Lubricated	1,000	WUWS8X200FPCFLT	L38750	-	-	-
4" x 10	Lubricated	-	-	-	1,000	WUWS10X400FPCFLB	L37400
3/4" x 6	Black	1,000	WUMS8X34FPCBT	L38330	-	-	-
1-1/4" x 8	Black	1,000	WUWS8X114FPCBT	L38350	-	-	-
1-1/2" x 8	Black	1,000	WUWS8X112FPCBT	L38360	-	-	-
1-5/8" x 8	Black	-	-	-	5,500	WUWS8X158FPCBB	L38375
1-3/4" x 8	Black	-	-	-	4,800	WUWS8X134FPCBB	L38385
2" x 8	Black	-	-	-	4,000	WUWS8X200FPCBB	L38395
2-1/2" x 8	Black	-	-	-	2,500	WUWS8X212FPCBB	L38415
3" x 8	Black	1,000	WUWS8X300FPCBT	L38425	-	-	-

**A ASSEMBLY SCREWS**

B  
C  
D  
E  
F  
G  
H  
I  
J  
K  
L  
M  
N  
O  
P  
Q  
R  
S  
T  
U  
V  
W  
X  
Y



**Flat Head Phillips Drive,  
Coarse Thread With Nibs,  
Type 17 Auger Point**



- 1" lengths are threaded fully - all other sizes are threaded 2/3's from bottom of the screw
- Case hardened, finishes listed below
- Uses #2 Phillips Drive bits
- Box quantities as shown below
- Sold by the box, bucket or case

Size	Box			Bucket			Bulk		
	Item #	Quick Code	Box Qty	Item #	Quick Code	Bucket Qty	Item #	Quick Code	Bulk Qty
<b>Black Oxidized Finish</b>									
1" x 8	WUWS8X1FCBNPT	L34200	1,000	WUWS8X100FPCSBP	LT34220	7,000	WUWS8X1FCBNPB	L34220	11,000
1-1/4" x 8	WUWS8X114FCBNPT	L34240	1,000	WUWST8X114FCBNPB	LT3426	5,000	WUWS8X114FCBNPB	L34260	9,000
1-1/2" x 8	WUWS8X112FCBNPT	L34280	1,000	WUWST8X112FCBNPB	LT3430	5,000	WUWS8X112FCBNPB	L34300	7,000
1-5/8" x 8	WUWS8X158FCBNPT	L34320	1,000	WUWST8X158FCBNPB	LT3434	3,500	WUWS8X158FCBNPB	L34340	5,500
1-3/4" x 8	WUWS8X134FPCSBT	L34350	1,000	-	-	-	WUWS8X134FPCSB	L34360	4,800
2" x 8	WUWS8X2FCBNPT	L34400	1,000	WUWST8X200FCBNPB	LT3442	3,000	WUWS8X2FCBNPB	L34420	4,000
2-1/4" x 8	-	-	-	WUWST8X214FCBNPB	LT3446	2,500	WUWS8X214FCBNPB	L34460	3,500
2-1/2" x 8	WUWS8X212FCBNPT	L34480	1,000	WUWST8X212FCBNPB	LT3450	2,500	WUWS8X212FCBNPB	L34500	2,500
3" x 8	WUWS8X3FCBNPT	L34560	-	WUWST8X300FCBNPB	LT3458	2,000	WUWS8X3FCBNPB	L34580	2,000
<b>Zinc Finish</b>									
1" x 8	WUWS8X1FCPZNP	L30000	1,000	WUWST8X100FCPZNPB	LT3010	7,000	WUWS8X1FCPZNPB	L30100	11,000
1-1/4" x 8	WUWS8X114FCPZNP	L30200	1,000	WUWST8X114FCPZNPB	LT3030	5,000	WUWS8X114FCPZNPB	L30300	9,000
1-1/2" x 8	WUWS8X112FCPZNP	L30400	1,000	WUWST8X112FCPZNPB	LT3050	5,000	WUWS8X112FCPZNPB	L30500	7,000
1-5/8" x 8	WUWS8X158FCPZNP	L30600	1,000	WUWST8X158FCPZNPB	LT3070	3,500	WUWS8X158FCPZNPB	L30700	5,500
1-3/4" x 8	WUWS8X134FPCSZT	L30795	1,000	-	-	-	WU30798	L30798	4,800
2" x 8	WUWS8X2FCPZNP	L30800	1,000	WUWST8X200FCPZNPB	LT3090	3,000	WUWS8X2FCPZNPB	L30900	4,000
2-1/4" x 8	WUWS8X214FCPZNP	L31000	1,000	WUWS8X214FPCSZP	LT3110	2,500	WUWS8X214FCPZNPB	L31100	3,500
2-1/2" x 8	WUWS8X212FCPZNP	L31200	1,000	WUWST8X212FCPZNPB	LT3130	2,500	WUWS8X212FCPZNPB	L31300	2,500
3" x 8	WUWS8X3FCPZNP	L31400	1,000	WUWST8X300FCPZNPB	LT3150	2,000	WUWS8X3FCPZNPB	L31500	2,000

## ASSEMBLY SCREWS



ASSY: Without Nibs, With Sharp 30° Point



Ecofast ASSY: With Nibs, With Sharp 30° Point



ASSY Plus: With Nibs, With Type 2 Drill Point

### Flat Head AW® Drive, ASSY Thread With or Without Nibs, Sharp 30° Point or Drill Point



- Patented high tech ASSY thread design provides faster driving and 40% stronger hold
- Patented AW drive system delivers superior torque while virtually eliminating cam-out
- All screw boxes are packaged with one AW insert drive bit
- Thin, lubricated shank reduces wood splitting
- Case hardened, Zinc
- Box quantities as shown below
- Sold by the box

**Bit included in each box!**

Length x Gauge	Finish	Box Qty	ASSY No Nibs, Sharp 30° Point	Ecofast ASSY w/Nibs Sharp 30° Point	ASSY Plus w/Nibs Type 2 Drill Point
5/8" x 6	Zinc	1,000	WR017043516	-	-
3/4" x 6	Zinc	1,000	WR017043520	-	-
1" x 8	Zinc	1,000	-	WR017014025	WR0165914025
1-3/16" x 8	Zinc	500	-	WR017014030	WR016510430
1-3/8" x 8	Zinc	500	-	WR017014035	WR016510435
1-9/16" x 8	Zinc	500	-	WR017014040	WR016511440
1-3/4" x 8	Zinc	500	-	WR017014045	WR016511445
2" x 8	Zinc	500	-	WR017014050	WR016510450
2-3/8" x 8	Zinc	250	-	WR017014060	WR016510460
2-3/4" x 8	Zinc	250	-	WR017014070	WR016510470
3-1/8" x 9	Zinc	200	-	-	WR0165104580



### Turbo Thread Jars



- Our top selling Turbo Thread screw, shown at top of next page, but in convenient smaller jar quantities
- Flip up handle plastic jar is convenient to move around the shop or jobsite
- Sold by the jar

Length x Gauge	Finish	Jar Qty	Item #
1" x 8	Lubricated	500	WU34750-JAR
1-1/4" x 8	Lubricated	500	WU35150-JAR
1-1/2" x 8	Lubricated	500	WU35550-JAR
2" x 8	Lubricated	250	WU35950-JAR
2-1/2" x 8	Lubricated	125	WU36350-JAR
3" x 8	Lubricated	125	WU36705-JAR

**FREE 2" DRIVE BIT IN EACH JAR!**

A  
B  
C  
D  
E  
F  
G  
H  
I  
J  
K  
L  
M  
N  
O  
P  
Q  
R  
S  
T  
U  
V  
W  
X  
Y

**A ASSEMBLY AND FACE FRAME SCREWS**

B  
C  
D  
E  
F  
G  
H  
I  
J  
K  
L  
M  
N  
O  
P  
Q  
R  
S  
T  
U  
V  
W  
X  
Y



Serrated thread for quick start and reduced splitting



**Washer Head Recex (Combo Phillips & Square) Drive Turbo Thread, Regular Point**



- Round Washerhead typically used in soft woods to prevent head from sinking into wood
- Patented serrated tooth turbo thread allows for quick starting, reduced splitting, and less drive torque. Used in all woodworking applications: assembly, face frame, slides, hinges and hardware
- 1" lengths are threaded fully - all other sizes are threaded 2/3's from bottom of the screw
- Case hardened, Lubricated
- Uses #2 Square Drive bits to insert; #2 Phillips Drive bits can be used for aftermarket adjustment
- Box quantities as shown below
- Sold by the box

Length x Gauge	Finish	Box Qty	Item #	Quick Code	Bulk Qty	Item #	Quick Code
1" x 8	Lubricated	1,000	WUWS8X1WZCLCT	L34600	8,000	WUWS8X1WZCLCB	L34700
1-1/8" x 8	Lubricated	1,000	WUWS8X118WZCLCT	L34800	6,000	WUWS8X118WZCLCB	L34900
1-1/4" x 8	Lubricated	1,000	WUWS8X114WZCLCT	L35000	6,500	WUWS8X114WZCLCB	L35100
1-3/8" x 8	Lubricated	1,000	WUWS8X138WZCLCT	L35200	5,000	WUWS8X138WZCLCB	L35300
1-1/2" x 8	Lubricated	1,000	WUWS8X112WZCLCT	L35400	5,000	WUWS8X112WZCLCB	L35500
1-3/4" x 8	Lubricated	1,000	WUWS8X134WZCLCT	L35600	-	-	-
2" x 8	Lubricated	1,000	WUWS8X2WZCLCT	L35800	3,000	WUWS8X2WZCLCB	L35900
2-1/4" x 8	Lubricated	1,000	WUWS8X214WZCLCT	L36000	-	-	-
2-1/2" x 8	Lubricated	1,000	WUWS8X212WZCLCT	L36200	2,000	WUWS8X212WZCLCB	L36300
2-3/4" x 8	Lubricated	-	-	-	1,500	WUWS8X234WZCLCB	L36500
3" x 8	Lubricated	1,000	WUWS8X3WZCLCT	L36600	1,500	WUWS8X3WZCLCB	L36700



**Modified Pan Head, Square Drive Fine Thread, Type 17 Auger Point**



- For hardwoods such as Oak and Maple
- Case hardened, Black
- Uses #2 Square Drive bits
- Box quantities as shown below
- Sold by the box

Length x Gauge	Finish	Box Qty	Item #	Quick Code	Bulk Qty	Item #	Quick Code
1-1/4" x 6	Black	1,000	QS003655	-	8,000	QS002722	-
1-1/2" x 6	Black	1,000	QS003656	-	7,000	QS002724	-
1-1/4" x 7	Black	1,000	WUFF7X114LSSLPT	L16000	7,500	WUFF7X114LSSLPB	L16100
1-1/2" x 7	Black	1,000	WUFF7X112LSSLPT	L16200	6,000	WUFF7X112LSSLPB	L16300

**FACE FRAME/POCKETHOLE SCREWS**

A  
B  
C  
D  
E  
F  
G  
H  
I  
J  
K  
L  
M  
N  
O  
P  
Q  
R  
S  
T  
U  
V  
W  
X  
Y



**Modified Pan Head, Square Drive Fine Thread  
Double Auger Point**



- Minimizes pre-drilling in even the hardest woods
- Case hardened, Lubricated
- Uses #2 Square Drive bits
- Box quantities as shown below
- Sold by the box

Length x Gauge	Std Box Qty	Item #	Bulk Box Qty	Item #
1-1/4" x 6	1,000	QS005706	8,000	QS004082
1-1/2" x 6	1,000	QS005707	7,000	QS005215



**Modified Pan Head, Square Drive  
Hi-Lo Thread, Type 17 Auger Point**



- All purpose screw with Hi-Lo thread for greater holding power and less strip out in hardwoods, medium woods, and softwoods
- Case hardened, Lubricated
- Uses #2 Square Drive bits
- Box quantities as shown below
- Sold by the box

Length x Gauge	Finish	Box Qty	Item #	Quick Code	Bulk Qty	Item #	Quick Code
1-1/4" x 7	Lubricated	1,000	WUFF7X114LHCLPT	L15000	7,500	WUFF7X114LHCLPB	L15100
1-1/2" x 7	Lubricated	1,000	WUFF7X112LHCLPT	L15200	6,000	WUFF7X112LHCLPB	L15300



**Modified Pan Head, Square  
Drive Coarse Thread Extra Long  
Type 17 Auger Point**



- Features an extra long aggressive cutting point that cuts through the toughest materials
- Elongated cutting flute reduces splitting and cracking
- Case hardened, Lubricated
- Uses #2 Square Drive bits
- Box quantities as shown below
- Sold by the box

**OUR TOP SELLING  
POCKETMASTER SCREW!**

Length x Gauge	Finish	Box Qty	Item #	Quick Code	Bulk Qty	Item #	Quick Code
1-1/4" x 7	Lubricated	1,000	WUFF7X114LCSLPT	L17000	7,500	WUFF7X114LCSLPB	L17100
1-1/2" x 7	Lubricated	1,000	WUFF7X112LCSLPT	L17200	6,000	WUFF7X112LCSLPB	L17300

**A FACE FRAME / POKETHOLE SCREWS**

B  
C  
D  
E  
F  
G  
H  
I  
J  
K  
L  
M  
N  
O  
P  
Q  
R  
S  
T  
U  
V  
W  
X  
Y



**PocketMaster Jars**



- Our top selling Face Frame screw, shown at the bottom of previous page, but in convenient smaller jar quantities
- Flip up handle plastic jar is convenient to move around the shop or jobsite
- Sold by the jar

Length x Gauge	Finish	Jar Qty	Item #
1-1/4" x 7	Lubricated	500	WU17150-JAR
1-1/2" x 7	Lubricated	500	WU17350-JAR

**FREE 2" DRIVE BIT IN EACH JAR!**



**Pan Head Square or Phillips Drive, Fine Thread Type 17 Auger Point**



- Standard fine thread for hardwoods such as Oak and Maple
- Case hardened, Black
- Uses #2 Square or Phillips Drive bits
- Box quantities as shown below
- Sold by the box

Length x Gauge	Finish	Box Qty	Item #	Quick Code	Bulk Qty	Item #	Quick Code
<b>Square Drive</b>							
1-1/4" x 6	Black	1,000	WUFF6X114PSSBPT	L12500	10,000	WUFF6X114PSCSBB	L12520
1-1/2" x 6	Black	1,000	WUFF6X112PSSBPT	L12800	8,500	WUFF6X112PSSBPB	L12820
<b>Phillips Drive</b>							
1-1/4" x 6	Black	1,000	WUFF6X114PSPBPT	L10200	10,000	WUFF6X114PSPBPB	L18000



**Pan Head Square or Phillips Drive, Coarse Thread Type 17 Auger Point**



- Excellent holding in softwoods, MDF and particleboard
- Case hardened, finishes listed below
- Uses #2 Square or Phillips Drive bits
- Box quantities as shown below
- Sold by the box

Length x Gauge	Finish	Box Qty	Item #	Quick Code	Bulk Qty	Item #	Quick Code
<b>Square Drive</b>							
1-1/4" x 6	Black	1,000	WUFF6X114PCSBPT	L12400	10,000	WUFF6X114PCSBPB	L12600
1-1/2" x 6	Black	1,000	WUFF6X112PCSBPT	L12700	8,500	WUFF6X112PCSBPB	L12900
1-1/4" x 7	Black	1,000	WUFF7X114PCSBPT	L12000	7,500	WUFF7X114PCSBPB	L12100
1-1/2" x 7	Black	1,000	WUFF7X112PCSBPT	L12200	6,000	WUFF7X112PCSBPB	L12300
<b>Phillips Drive</b>							
1-1/4" x 6	Lubricated	1,000	WUFF6X114PSPEPT	L10000	10,000	WUFF6X114PSPEPB	L10100



**FACE FRAME / POKETHOLE SCREWS**



Square Drive



Combo Phillips/Square Drive

**Round Washer Head Square or Recex (Combo Phillips & Square) Drive, Coarse Thread, Type 17 Auger Point**



- Excellent holding in soft woods, MDF, and particleboard
- Round washer head prevents crushing into the bottom of the face frame hole
- Case hardened, finishes listed below
- Uses #2 Square Drive bits • Box quantities as shown below • Sold by the box

Length x Gauge	Finish	Box Qty	Item #	Quick Code	Bulk Qty	Item #	Quick Code
<b>Square Drive</b>							
1-1/4" x 8	Lubricated	1,000	QS007844	-	8,000	QS004547	-
1-1/2" x 8	Lubricated	1,000	QS009157	-	7,000	QS010032	-
<b>Combo Phillips &amp; Square Drive</b>							
1-1/4" x 8	Black	1,000	WUFF8X114RWCCSBT	L18500	7,000	WUBWRP08114F2F	L18520
1-1/2" x 8	Black	1,000	WUFF8X112FWCCSBT	L18600	5,000	WUFF8X112RWCCSBB	L18620



**Round Washer Head Square Drive Fine Thread Type 17 Auger Point**



- Standard fine thread for hardwoods such as Oak and Maple
- Prevents the head from crushing into the bottom of the face frame hole
- Case hardened, Black
- Uses #2 Square Drive bits
- Box quantities as shown below • Sold by the box

Length x Gauge	Finish	Box Qty	Item #	Quick Code	Bulk Qty	Item #	Quick Code
1-1/4" x 7	Black	1,000	WUFF7X114RWCSBT	L18705	8,000	WUFF7X114RWCSBB	L18700



**Round Washer Square Drive, Fine Thread Type 17 Auger Point**



- Standard fine thread for hardwoods such as oak, maple, walnut, cherry, hickory, etc.
- Large washer head provides a superior hold in the bottom of the pocket and prevents the screw from being overdriven
- Case Hardened, Zinc
- Uses #2 Square Drive Bits • Box quantities as shown below • Sold by the box

For Kreg Jigs, Accessories, see Section U  
For Kreg Machinery, see Section W

1-1/4" L x 7 Gauge		1-1/2" L x 7 Gauge	
Item #	Box Qty	Item #	Box Qty
KRSMLF125-100	100	KRSMLF150-100	100
KRSMLF125-500	500	KRSMLF150-500	500
KRSMLF125-1200	1,200	KRSMLF150-1200	1,200
KRSMLF125-5000	5,000	-	-

**A FACE FRAME / POKETHOLE SCREWS**

B  
C  
D  
E  
F  
G  
H  
I  
J  
K  
L  
M  
N  
O  
P  
Q  
R  
S  
T  
U  
V  
W  
X  
Y



**Round Washer Square Drive, Coarse Thread  
Type 17 Auger Point**



For Kreg Jigs, Accessories, see Section U  
For Kreg Machinery, see Section W

- Coarse thread for soft woods and composites, Plywood, MDF, Pine, etc.
- Large washer head provides a superior hold in the bottom of the pocket and prevents the screw from being overdriven
- Case Hardened, Zinc finish
- Uses #2 Square Drive Bits
- Box quantities as shown below
- Sold by the box

1" L x 8 Gauge		1-1/4" L x 8 Gauge		1-1/2" L x 8 Gauge		2" L x 8 Gauge		2-1/2" L x 8 Gauge	
Item #	Box Qty	Item #	Box Qty	Item #	Box Qty	Item #	Box Qty	Item #	Box Qty
KRSML-C1-100	100	KRSML-C125-100	100	KRSML-C150-100	100	KRSML-C2-50	50	KRSML-C250-50	50
-	-	KRSML-C125-250	250	-	-	-	-	KRSML-C250-125	125
KRSML-C1-500	500	KRSML-C125-500	500	KRSML-C150-500	500	KRSML-C2-250	250	KRSML-C250-250	250
KRSML-C1-1200	1,200	KRSML-C125-1200	1,200	KRSML-C150-1200	1,200	KRSML-C2-3000	3,000	KRSML-C250-2000	2,000
-	-	KRSML-C125-5000	5,000	-	-	-	-	-	-



**Modified Pan Square Drive, Coarse Thread  
Type 17 Auger Point**



For Kreg Jigs, Accessories, see Section U  
For Kreg Machinery, see Section W

- Case Hardened, Zinc finish
- Uses #2 Square Drive Bits
- Box quantities as shown below
- Sold by the box

1" L x 6 Gauge			
Item #	Box Qty	Item #	Box Qty
KRSPS-C1-100	100	KRSPS-C1-500	500
KRSPS-C1-250	250	KRSPS-C1-1200	1,200



**Modified Pan Square Drive, Fine Thread  
Type 17 Auger Point**



For Kreg Jigs, Accessories, see Section U  
For Kreg Machinery, see Section W

- Standard fine thread for hardwoods such as oak, maple, walnut, cherry, hickory, etc.
- Case Hardened, Zinc finish
- Uses #2 Square Drive Bits
- Box quantities as shown below
- Sold by the box

3/4" L x 6 Gauge		1" L x 6 Gauge		1-1/4" L x 6 Gauge		1-1/2" L x 6 Gauge	
Item #	Box Qty	Item #	Box Qty	Item #	Box Qty	Item #	Box Qty
KRSPS-F075-100	100	KRSPS-F1-100	100	KRSPS-F125-100	100	KRSPS-F150-100	100
KRSPS-F075-500	500	KRSPS-F1-500	500	KRSPS-F125-500	500	KRSPS-F150-500	500
KRSPS-F075-1200	1,200	KRSPS-F1-1200	1,200	KRSPS-F125-1200	1,200	KRSPS-F150-1200	1,200

**INSTALLATION SCREWS**



**Washer Head Recex (Combo Phillips & Square) Drive, Quickcutter Thread Type 17 Auger Point**



- Case hardened, Zinc
- Uses #2 Square Drive bits to insert & #2 Phillips Drive bits for aftermarket adjustment
- Box quantities as shown below
- Sold by the box

Length x Gauge	Box Qty	Item #	Bulk Qty	Item #
<b>Zinc With Zinc Head</b>				
2-1/2" x 10	500	QS008335	1,500	QS007927
3" x 10	500	QS008337	1,500	QS007935
3-1/2" x 10	500	QS008343	1,000	QS007936
4" x 10	-	-	1,000	QS007937
<b>Zinc With White Head</b>				
2-1/2" x 10	-	-	1,500	QS008010
3" x 10	500	QS008345	1,500	QS008011
4" x 10	-	-	1,000	QS008013



**Washer Head Recex (Combo Phillips & Square Drive), Coarse Thread Regular Point**



- Case hardened, finishes listed below
- Uses #2 Square drive bit to insert & #2 Phillips Drive bit for aftermarket adjustment
- Box quantities as shown below
- Sold by the box

Length x Gauge	Finish	Box Qty	Item #	Quick Code	Bulk Qty	Item #	Quick Code
<b>Regular Point, .375" Diameter Head</b>							
2-1/2" x 8	Black	-	-	-	2,000	WUWS8X212WCCBB	L38990
3" x 8	Black	-	-	-	1,500	WUWS8X300WCCBB	L38995
1-1/8" x 8	Zinc	-	-	-	6,500	WUWS8X118WCCZB	L82600
2-1/2" x 8	Zinc	-	-	-	2,000	WUWS8X212WCCZB	L39770
3" x 8	Zinc	-	-	-	1,500	WUWS8X300WCCZB	L39785
<b>Regular Point, .443" Diameter Head</b>							
2-1/2" X 10	Zinc	500	WUWS10X212WCCZ500	L39350	1,500	WUWS10X212WCCZB	L39360
3" X 10	Zinc	500	WUWS10X300WCCZ500	L39370	1,500	WUWS10X300WCCZB	L30995
3-1/2" X 10	Zinc	800	WUWS10X312WCCZ800	L39385	-	-	-
2-1/2" X 10	Zinc w/ <b>White Head</b>	-	-	-	1,500	WUWS10X212WCCZWB	L39320
3" X 10	Zinc w/ <b>White Head</b>	-	-	-	1,000	WUWS10X300WCCZWT	L39335

A  
B  
C  
D  
E  
F  
G  
H  
I  
J  
K  
L  
M  
N  
O  
P  
Q  
R  
S  
T  
U  
V  
W  
X  
Y

**A INSTALLATION SCREWS**

B  
C  
D  
E  
F  
G  
H  
I  
J  
K  
L  
M  
N  
O  
P  
Q  
R  
S  
T  
U  
V  
W  
X  
Y



**Truss Head Phillips Drive, Fine Thread (2/3 Thread) Needle Point**



**For use with Metal Studs**

- #8 gauge needle point for light metal studs and sheetmetal
- Large truss head provides large bearing surface and hides rough screw hole edges
- Case hardened, finishes listed below
- Uses #2 Phillips Drive bits
- Box quantities as shown below • Sold by the box

Length x Gauge	Finish	Box Qty	Item #	Quick Code
2-1/2" x 8	Zinc with <b>White Head</b>	2,000	WUWS8X214TPFNPB	L39140
2-1/2" x 8	Zinc with <b>Zinc Head</b>	2,000	WUWS8X212TPFNZB	L39160



**Truss Head Phillips Drive, Fine Thread (Full Thread) #2 Drill Point**



**For use with Metal Studs**

- #2 drill point for use on heavier gauge metal studs. Eliminates the need for pilot hole/pre drilling studs
- Large truss head provides large bearing surface and hides rough edges
- Case hardened, finishes listed below
- Uses #3 Phillips Drive bits
- Box quantities as shown below • Sold by the box

Length x Gauge	Finish	Box Qty	Item #	Quick Code	Bulk Qty	Item #	Quick Code
2-1/2" x 10	Zinc with <b>White Head</b>	500	WUWS10X212TPFDP500	L39180	-	-	-
2-1/2" x 10	Zinc with <b>Zinc Head</b>	-	-	-	2,000	WUWS10X212TPFDZB	L39185



**Truss Head, Coarse Thread (1/2 Thread) Needle Point**



**For use with Wood Studs**

- Deep thread for secure fastening to wood studs
- Large truss head provides large bearing surface and hides rough edges
- 1/2" head allows cabinet to "float" for final adjustment
- Case hardened, finishes listed below
- Uses #3 Phillips Drive bits
- Box quantities as shown below • Sold by the box

Length x Gauge	Finish	Box Qty	Item #	Quick Code	Bulk Qty	Item #	Quick Code
<b>Phillips Drive</b>							
2-1/2" x 10	Zinc with <b>Sand Head</b>	500	WUWS10X212TPCNP500	L37020	-	-	
3" x 10	Zinc with <b>Sand Head</b>	500	WUWS10X300TPCNP500	L37060	1,000	WUWS10X300TPCNP500	L37065
3" x 10	Zinc with <b>White Head</b>	-	-		1,000	WUWS10X300TPCNZT	L37055
2-1/2" x 10	Zinc with <b>Zinc Head</b>	-	-		1,500	WUWS10X212TPCNZB	L37045
3" x 10	Zinc with <b>Zinc Head</b>	100	WUWS10X3RCPZPH	L38300	500	WUWS10X300TPCNZ500	L37075
<b>Recex (Combo Phillips &amp; Square Drive)</b>							
2-1/2" x 10	Zinc with <b>White Head</b>	-	-	-	1,000	WUWS10X212WCSWPT	L38600

## INSTALLATION/TRIM SCREWS



### Oversized Flat Head Drive, Coarse Thread, Type 17 Auger Point



- Fastcap PowerHead Screws for wood or metal studs
- Head diameter of 9/16" (.5625")
- Case hardened, finishes listed below
- Uses #2 Square or Torx drive bits
- Box quantities as shown below
- Sold by the box

Length x Gauge	Finish	Box Qty	Item #	Bulk Qty	Item #
<b>Square Drive, Wood Studs</b>					
2-1/2" x 8	Black	150	FCPHBL2.5-150PC	-	-
3" x 8	Black	150	FCPHBL3-150PC	1,500	FCPHBL3-1500
1-1/4" x 8	Zinc	200	FCPH1.25-200SQ	-	-
2-1/2" x 8	Zinc	150	FCPHZ2.5-150PC	1,500	FCPHZ2.5-1500PC
3" x 8	Zinc	150	FCPHZ3-150PC	-	-
<b>Torx Drive, Wood Studs</b>					
1-1/4" x 8	Zinc	200	FCPH1.25-200PC	2,000	FCPH1.25-2000PC
2" x 8	Zinc	200	FCPH2-200PC	-	-
2-1/2" x 8	Zinc	150	FCPH2.5-150PC	1,500	FCPH2.5-1500PC
3" x 8*	Zinc	150	FCPH3-150PC	1,500	FCPH3-1500PC
3-1/2" x 8	Zinc	100	FCPH3.5-100PC	-	-
4" x 8	Zinc	100	FCPH4-100PC	1,000	FCPH4-1000PC
<b>Square Drive, Metal Studs</b>					
3" x 8	Zinc	150	FCPHZ8ME3-150PC	1,500	FCPHZ8ME3-1500PC

\*3" x 8 Torx also available in 50 pack:  
**FCPH3-50PC**



### Trim-It Screws, Square Drive, Twinfast Thread, Sharp Point



- Normally used for fastening trim moldings or jams
- Extremely small head (7/32") is hardly seen; can be countersunk and puttied over
- Type "A" point is very sharp and eliminates pre-drilling in most materials
- Case hardened, Black
- #6 screws use #1 Square Drive bits; #8 screws use #2 Square Drive bits
- Box quantities as shown below
- Sold by the box

Length x Gauge	Finish	Box Qty	Item #	Quick Code	Bulk Qty	Item #	Quick Code
1-5/8" x 6	Black	100	WUDW6X158TSSBH	L24000	1,000	WUWS6X158TFSBT	L24010
2-1/4" x 6	Black	100	WUDW6X214TSSBH	L24100	1,000	WUWS6X214TFSBT	L24120
3" x 8	Black	100	WUWS8X300TFSBH	L24200	-	-	-

**A DRYWALL SCREWS**

B  
C  
D  
E  
F  
G  
H  
I  
J  
K  
L  
M  
N  
O  
P  
Q  
R  
S  
T  
U  
V  
W  
X  
Y



**Bugle Head Phillips Drive,  
Coarse Thread, Sharp Point**



- Fully threaded
- Case hardened, Black
- Uses #2 Phillips Drive bits
- Box quantities as shown on right
- Sold by the box

Length x Gauge	Finish	Box Qty	Item #	Quick Code	Bulk Qty	Item #	Quick Code
1" x 7	Black	1,000	WUDW7X1BCPBT	L19000	10,000	WUDW7X1BCPBB	L19010
1-1/8" x 7	Black	-	-	-	10,000	WUDW7X118BPCBB	L19110
1-1/4" x 7	Black	1,000	WUDW7X114BCPBT	L19200	8,000	WUDW7X114BCPBB	L19210
1-1/2" x 7	Black	1,000	WUDW7X112BCPBT	L20400	6,000	WUDW7X112BCPBB	L20500
1-5/8" x 7	Black	1,000	WUDW7X158BCPBT	L19300	5,000	WUDW7X158BCPBB	L19310
2" x 7	Black	-	-	-	3,500	WUDW7X2BCPBB	L19410
2-1/4" x 7	Black	1,000	WUDW7X214BCPBT	L19500	3,000	WUDW7X214BCPBB	L19510
2-1/2" x 8	Black	1,000	WUDW8X212BCPBT	L21000	2,500	WUDW8X212BCPBB	L21100
3" x 8	Black	-	WUDW8X3BCPBT	L21300	2,000	WUDW8X3BCPBB	L21400
4" x 10	Black	1,000	WUDW10X400BCBT	L29340	-	-	-



**Bugle Head Phillips Drive  
Coarse Thread, Sharp Point**



- #2 Phillips Drive, Coarse Thread
- Used for fastening a combination of woods, metals, plastics, fiberglass and more
- Bugle head design countersinks neatly into drywall and eliminates unsightly head pops
- Manufactured in an ISO 9001 factory from 1022 case hardened steel and feature rolled threads for exceptional strength and holding power
- Box quantities as shown below • Sold by the box

**FREE 1-1/2" X #2  
PHILLIPS INSERT BIT  
INCLUDED IN  
EACH 5 LB BOX!**

Length x Gauge	Finish	Approx Box Qty (5 lb Box)	Item #	Approx Box Qty (1/4 Keg)	Item #
1" x 6	Black	1,770	THD1DWC5	10,000	THD1DWCK
1-1/4" x 6	Black	1,425	THD114DWC5	8,000	THD114DWCK
1-5/8" x 6	Black	1,175	THD158DWC5	-	-
2-1/2" x 8	Black	570	THD212DWC5	2,500	THD212DWCK
3" x 8	Black	465	THD3DWC5	2,000	THD3DWCK



**Bugle Head Phillips Drive,  
Fine Thread, Sharp Point**



- Fully threaded the length of the screw
- Case hardened, Black
- Uses #2 Phillips Drive bits
- Box quantities as shown below • Sold by the box

Length x Gauge	Finish	Box Qty	Item #	Quick Code
1-1/4" x 7	Black	8,000	WUDW7X114BPFBB	L29200
1-5/8" x 7	Black	5,000	WUDW7X158BPFBB	L29220

**HINGE, SLIDE & HARDWARE SCREWS**

A  
B  
C  
D  
E  
F  
G  
H  
I  
J  
K  
L  
M  
N  
O  
P  
Q  
R  
S  
T  
U  
V  
W  
X  
Y



**Truss Head Phillips Drive, Coarse Thread Type 17 Auger Point**



- Large truss head reduces sinking of head in soft woods
- Designed to prevent splitting in hardwoods when attached into or near the edge of material
- Case hardened, finishes listed below
- Uses #2 Phillips Drive bits
- Box quantities as shown below
- Sold by the box

Length x Gauge	Finish	Box Qty	Item #	Quick Code	Bulk Qty	Item #	Quick Code
5/8" x 8	Zinc	1,000	WUMS8X58TPCSZT	L58120	10,000	WUMS8X58TPCSZB	L58130
3/4" x 8	Zinc	1,000	WUMS8X34TPCSZT	L58140	10,000	WUMS8X34TPCSZB	L58150
5/8" x 8	Antique English	1,000	WUMS8X58TPCSAT	L59120	10,000	WUMS8X58TPCSAB	L59130



**Truss Head Recex (Combo Phillips & Square) Drive Coarse Thread, Extra Long Type 17 Auger Point**



- Extra long aggressive cutting point that cuts through the toughest materials
- Elongated cutting flute greatly reduces splitting and cracking
- Case hardened, Zinc
- Uses #2 Square Drive bits for insertion and #2 Phillips Drive bits for aftermarket adjustment
- Box quantities as shown below
- Sold by the box

Length x Gauge	Finish	Box Qty	Item #	Quick Code	Bulk Qty	Item #	Quick Code
3/4" x 8	Zinc	1,000	WUMS8X34TCCEZT	L59000	12,000	WUMS8X34TCCEZB	L59050



.366" Diameter Head

**Truss Head (Combo Phillips & Square) Drive, Coarse Thread, Regular Point**



- Case hardened, Zinc
- Uses #2 Square Drive bits for insertion and #2 Phillips Drive bits for aftermarket adjustment
- Box quantities as shown below
- Sold by the box

Length x Gauge	Finish	Box Qty	Item #	Quick Code	Bulk Qty	Item #	Quick Code
7/16" x 8	Zinc	1,000	WUMS8X716LTCCZ6T	L44120	5,000	WUMS8X716LTCCZB	L44125

**A HINGE, SLIDE & HARDWARE SCREWS**



.366" Diameter Head

**Truss Head Low Profile Phillips Drive Coarse Thread, Regular Point**



- Low Truss Head screw for use on ball bearing slides
- Case hardened, finishes listed below
- Uses #2 Phillips Drive bits
- Box quantities as shown below
- Sold by the box

Length x Gauge	Finish	Box Qty	Item #	Quick Code	Bulk Qty	Item #	Quick Code
7/16" x 8	Zinc	1,000	WUMS8X716RSPZT	L46000	5,000	WUMS8X716TPCW	L46005
7/16" x 8	Zinc	-	-	-	14,000	WUMS8X716RSPZB	L46010
7/16" x 8	Black	1,000	-	-	5,000	WUMS8X716LTPCBB	L46150
7/16" x 8	White	1,000	WUMS8X716RSPWT	L46200	-	-	-



Type 17 Auger Point

**Modified Truss Phillips Drive Fine or Coarse Thread, Regular or Type 17 Auger Point**



- Uses #2 Phillips Drive bits
- Case hardened, finishes listed below
- Box quantities as shown below
- Sold by the box



Regular Point

Length x Gauge	Finish	Box Qty	Item #	Quick Code	Bulk Qty	Item #	Quick Code
<b>Type 17 Auger Point, Coarse Thread</b>							
3/4" x 8	Nickel	1,000	WUMS8X34MCPNPT	L46300	-	-	-
<b>Regular Point, Coarse Thread</b>							
1/2" x 8	Zinc	1,000	WUMS8X12CSPZT	L46750	5,000	WUMS8X12WPCZB	L46790
<b>Regular Point, Fine Thread</b>							
1/2" x 8	Zinc	1,000	WUMS8X12MSPZT	L46700	-	-	-



## HINGE, SLIDE & HARDWARE SCREWS

### Flat Head Phillips Drive, Chipboard Thread, Sharp Point

Length x Gauge	Finish	Box Qty	Item #	Quick Code	Bulk Qty	Item #	Quick Code
5/8" x 6	Nickel	1,000	WUMS6X58FSPNT	L52100	-	-	-
3/4" x 6	Nickel	1,000	WUMS6X34FSPNT	L52000	-	-	-
1/2" x 5	Zinc	100	WUMS5X12FPFZH	L40205	1,000	WUMS5X12FSPZT	L40200
1/2" x 6	Zinc	100	-	-	1,000	WUMS6X12FSPZT	L41100
5/8" x 5	Zinc	100	WUMS5X58FPFH	L40505	1,000	WUMS5X58FSPZT	L40500
5/8" x 6	Zinc	100	WUMS6X58FPFZH	L41210	1,000	WUMS6X58FSPZT	L41900
5/8" x 6	Zinc	-	-	-	30,000	WUMS6X58FSPZB	L41200
5/8" x 8	Zinc	100	-	-	1,000	WUMS8X58FSPZT	L41800
3/4" x 6	Zinc	100	WUMS6X34FPFZH	L41410	1,000	WUMS6X34FSPZT	L41400
3/4" x 8	Zinc	-	-	-	1,000	WUMS8X34FPZT	L41950
5/8" x 5	Black	1,000	WUMS8X58FSPBT	L41700	-	-	-
1/2" x 5	Bright Brass	-	-	-	1,000	WUMS5X12FSPRT	L40400
5/8" x 5	Bright Brass	-	-	-	1,000	WUMS5X58FSPRT	L40700
5/8" x 6	Bright Brass	-	-	-	1,000	WUMS6X58FPBT	L41350
5/8" x 5	Antique English	100	WUMS5X58FPFAH	L40605	1,000	WUMS5X58FSPQT	L40600
5/8" x 6	Antique English	100	-	-	1,000	WUMS6X58FSPQT	L41300



- Steel wood screws in short sizes for hinges, KD fittings, piano hinges and small assembly
- Holds in both hardwoods and softwoods
- Chipboard screws are similar to coarse thread screws with just one additional thread
- Case hardened, finishes listed on left
- Uses #2 Phillips Drive bits
- Sold by the box



### Flat Head Phillips Drive, Coarse Thread, Regular Point

Length x Gauge	Finish	Box Qty	Item #	Quick Code	Bulk Qty	Item #	Quick Code
1/2" x 6	Antique English	-	-	-	18,000	WUMS6X12FCPQT	L42000
5/8" x 6	Antique Brass	1,000	WUMS6X58FCPQT	L42200	-	-	-
1/2" x 5	Zinc	1,000	WUMS5X12FPCZT	L42075	5,000	WUMS5X12FPCZB	L42050
5/8" x 5	Zinc	1,000	WUMS5X58FPCZT	L42080	5,000	WUMS5X58FPCZB	L42070
1/2" x 6	Zinc	1,000	WUMS6X12FPCZT	L42100	5,000	WUMS6X12FPCZB	L42150
5/8" x 6	Zinc	1,000	WUMS6X58FPCZT	L42300	5,000	WUMS6X58FPCZ5B	L42390
5/8" x 6	Zinc	-	-	-	30,000	WUMS6X58FPCZB	L42400
3/4" x 6	Zinc	1,000	WUMS6X34FPCZT	L42500	5,000	WUMS6X34FPCZB	L43150
1" x 6	Zinc	1,000	WUMS6X1FSPZT	L38120	-	-	-
3/4" x 8*	Zinc	1,000	QS005790	-	12,000	QS000128	-
5/8" x 5	Nickel	-	-	-	32,000	WUMS5X58FCPNB	L54100
1/2" x 6	Nickel	1,000	WUMS6X12FCPNT	L54200	5,000	WUMS6X12FCPNB	L54300
5/8" x 6	Nickel	1,000	WUMS6X58FCPNT	L54375	5,000	WUMS6X58FCPN5B	L54380
5/8" x 6	Nickel	-	-	-	30,000	WUMS6X58FCPNB	L54400
3/4" x 6	Nickel	1,000	WUMS6X34FCPNT	L54680	5,000	WUMS6X34FCPNB	L54690
3/4" x 6	Nickel	-	-	-	24,000	WUMS6X34FCPNB	L54700
1" x 6	Nickel	1,000	WUMS6X1FCPNT	L54900	-	-	-
5/8" x 7	Nickel	1,000	WUMS7X58CPNT	L46800	24,000	WUMS7X58CPNB	L46900
5/8" x 7*	Nickel	100	QS004991	-	5,000	QS005901	-
3/4" x 7	Nickel	1,000	WUMS7X34FCPNT	L43700	5,000	WUMS7X34FCPNB	L43750



- Case hardened, finishes listed below
- Uses #2 Phillips Drive bits
- Box quantities as shown on left
- Sold by the box



**A HINGE, SLIDE & HARDWARE SCREWS**

B  
C  
D  
E  
F  
G  
H  
I  
J  
K  
L  
M  
N  
O  
P  
Q  
R  
S  
T  
U  
V  
W  
X  
Y



**Flat Head Phillips Drive,  
Coarse Thread, Type 17 Auger Point**



- Case hardened, Zinc
- Uses #2 Phillips Drive bits
- Box quantities as shown below
- Sold by the box

Length x Gauge	Finish	Box Qty	Item #	Quick Code	Bulk Qty	Item #	Quick Code
5/8" x 6	Zinc	1,000	WUMS6X58FCPZPT	L43000	5,000	WUMS6X58FPCSZB	L43020
3/4" x 6	Zinc	1,000	WUMS6X34FPCSZT	L43100	5,000	WR1LFXP06034S2Z-2	L54765



**Square Drive, Coarse Thread  
Regular or Type 17 Auger Point**



- Case hardened, finishes listed below
- Uses #2 Square Drive bits
- Box quantities as shown below
- Sold by the box

Length x Gauge	Finish	Box Qty	Item #	Quick Code	Bulk Qty	Item #	Quick Code
<b>Regular Point</b>							
1/2" x 6	Zinc	1,000	WUMS6X12FSCZT	L53100	-	-	-
<b>Type 17 Auger Point</b>							
5/8" x 6	Zinc	1,000	WUMS6X58FSZT	L53250	30,000	WUMS6X58FSSZPB	L53200
3/4" x 6	Zinc	1,000	WUMS6X34FSPZPT	L53400	-	-	-



**Flat Head Recex (Combo Phillips/  
Square Drive) Coarse Thread,  
Regular Point**



- Case hardened, Zinc
- Uses #2 Phillips Drive bits for insertion and #2 Phillips Drive bits for aftermarket adjustment
- Box quantities as shown below
- Sold by the box

Length x Gauge	Finish	Box Qty	Item #	Quick Code	Bulk Qty	Item #	Quick Code
1/2" x 6	Zinc	1,000	WUMS6X12FCCZT	L39080	-	-	-
5/8" x 6	Zinc	1,000	WUMS6X58FCCZT	L39090	15,000	WUMS6X58FCCZB	L39085

## HINGE, SLIDE & HARDWARE SCREWS



### Flat or Round Head Phillips Drive Coarse Thread, Sharp Point



- Case hardened, Nickel
- Uses #2 Phillips Drive bits
- Box quantities as shown below
- Sold by the box

Head Type	Length x Gauge	Finish	Box Qty	Item #
Flat	5/8" x 6	Nickel	500	G81001-43
Flat	3/4" x 6	Nickel	500	G6X34FHNI



### Undercut Flat Head Phillips Drive, Coarse Thread, Regular Point



- Undercut head sits flush in the recessed hole of European drawer slides
- Case hardened, finishes listed below
- Uses #2 Phillips Drive bits
- Box quantities as shown below
- Sold by the box

Length x Gauge	Finish	Box Qty	Item #	Quick Code	Bulk Qty	Item #	Quick Code
1/2" x 6	Zinc	1,000	WUMS6X12CPBCZT	L43250	33,000	-	-
5/8" x 6	Zinc	1,000	WUMS6X58CPBCZT	L43420	30,000	WUMS6X58UPCAB	L43440



### Pan Head, Fine or Chipboard Thread, Regular Point



- Steel wood screws in short sizes for hinges, KD fittings and small assembly
- Holds in both hardwoods and softwoods
- Chipboard screws are similar to coarse thread screws with just one additional thread
- Case hardened, finishes listed below
- Uses #2 Phillips Drive bits
- Box quantities as shown below
- Sold by the box

Length x Gauge	Finish	Box Qty	Item #	Quick Code
<b>Fine Thread</b>				
1/2" x 6	Zinc	1,000	WUMS6X12TPFAZT	L44060
1/2" x 8	Zinc	1,000	WUMS8X12TPFAZT	L44130
5/8" x 6	Zinc	1,000	WUMS6X58TPFAZT	L44165
<b>Chipboard Thread</b>				
1/2" x 6	Antique Brass	1,000	WUMS6X12PSPQT	L45200
1/2" x 6	Zinc	1,000	WUMS6X12PSPZT	L45300

**A HINGE, SLIDE & HARDWARE SCREWS**



Regular Point



Type 17 Auger Point

**Pan Head Phillips Drive,  
Coarse Thread Regular or  
Type 17 Auger Point**



- Edge application screws are designed to prevent splitting in hardwoods when hardware is attached into or near the edge of the material
- Used with European style face frame hinges, pin and pivot hinges, or with catches and latches
- Case hardened, finishes listed below
- Uses #2 Phillips Drive bits
- Box quantities as shown below
- Sold by the box

Length x Gauge	Finish	Box Qty	Item #	Quick Code	Bulk Qty	Item #	Quick Code
<b>Regular Point</b>							
5/8" x 8	Antique Brass	1,000	WUMS8X58PCPQT	L45500	-	-	-
5/8" x 10	Nickel	1,000	WUMS10X58PCPNT	L45600	-	-	-
3/4" x 10	Nickel	1,000	WUMS10X34PCPNT	L45800	9,000	WUMS10X34PCPNB	L45700
1" x 10	Nickel	1,000	WUMS10X100PCNT	L45810	-	-	-
<b>Type 17 Auger Point</b>							
5/8" x 10	Nickel	1,000	WUMS10X58PPCSZT	L45630	-	-	-
3/4" x 10	Nickel	1,000	WUMS10X34PPCSNT	L45820	9,000	WUMS10X34PCPZPB	L45830
5/8" x 6	Antique English	1,000	WUMS6X58PPCSAT	L45330	-	-	-
1/2" x 6	Zinc	1,000	WUMS6X12PCPZPT	L45230	-	-	-
5/8" x 6	Zinc	1,000	WUMS6X58PPCSZT	L45340	-	-	-
5/8" x 8	Zinc	1,000	WUMS8X58PPCSZT	L45560	15,000	WUMS8X58PPCSZB	L45570
3/4" x 8	Zinc	1,000	WUMS8X34PCPZPT	L46500	10,000	WUMS8X34PPCSZB	L46520



**Washer Head Recex  
(Combo Phillips & Square) Drive  
Coarse Thread Type 17 Auger Point**



- Edge application screws prevent splitting in hardwoods when hardware is attached into or near the edge of the material. Used with European style face frame hinges, pin and pivot hinges, or with catches and latches
- Case hardened, finishes listed below
- Uses #2 Square Drive bits for insertion and #2 Phillips Drive bits for aftermarket adjustment
- Box quantities as shown below
- Sold by the box

Length x Gauge	Finish	Box Qty	Item #	Quick Code	Bulk Qty	Item #	Quick Code
3/4" x 8	Lubricated	1,000	WUM8X34SRWCCSPT	L39390	-	-	-
3/4" x 8	Zinc	1,000	WUMS8X34RWCCSZT	L55500	10,000	WUMS8X34RWCCSZB	L55550

## HINGE, SLIDE & HARDWARE SCREWS



### Oval Head Phillips Drive, Fine Thread, Sharp Point



- Oval head countersinks like flat head with slightly rounded head
- Steel wood screws in short sizes for hinges, KD fittings and small assembly
- Case hardened, finishes listed below
- Uses #2 Phillips Drive bits
- Box quantities as shown below
- Sold by the box

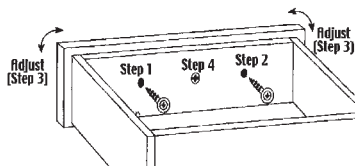
Length x Gauge	Finish	Box Qty	Item #	Quick Code
5/8" x 5	Zinc	1,000	WUMS5X58OPFSZT	L50050



Phillips Drive, Type 17 Auger Point

Recex Drive, Type 17 Auger Point

### Modified Washer Head Phillips or Recex (Combo Phillips & Square) Drive, Coarse Thread Type 17 Auger Drive, Drawer Front Adjusting Screw



1. Drill oversize 5/16" hole in drawer box.
2. Attach drawer front.
3. Adjust drawer front.
4. Fix drawer front with knob or pull screws.

- 1/2" diameter washer head screw
- Uses #2 Phillips or Square Drive bits
- Case Hardened, Zinc
- Box quantities as shown below
- Sold by the box

Length x Gauge	Box Qty	Item #	Quick Code	Box Qty	Item #	Quick Code	Box Qty	Item #	Quick Code
<b>Phillips Drive</b>									
7/8" x 8	-	-	-	-	WUDF8X78MCPZT	L80000	-	-	-
1" x 8	100	WUDF8X1MCPZH	L80110	1,000	WUDF8X1MCPZT	L80330	7,000	WUDF8X100MWPCSZB	L80340
1-1/8" x 8	-	-	-	-	WUDF8X118MCPZT	L80450	6,500	WUDF8X118MWPCSZB	L80760
1-1/4" x 8	100	WUDF8X114MCPZH	L81810	1,000	WUDF8X114MCPZT	L80750	6,500	WUDF8X114MWPCZB	L80930
1-1/2" x 8	-	-	-	-	WUDF8X112MCPZT	L81010	-	-	-
<b>Recex (Combo Phillips &amp; Square) Drive</b>									
1" x 8	-	-	-	1,000	WUDF8X100MWCCSZT	L81200	7,000	WUDF8X100MWCCSZB	L81300
1-1/8" x 8	-	-	-	1,000	WUDF8X118MWCCSZT	L81500	6,500	WUDF8X118MCPZB	L81600
1-1/4" x 8	-	-	-	1,000	WUDF8X114MWCCSZT	L81800	6,500	WU8114S2ZB	L81900
<b>Phillips Drive - Quickscrews</b>									
7/8" x 8	1,000	QS009147	-	-	-	-	-	-	-
1-1/8" x 8	1,000	QS009149	-	6,000	QS009024	-	-	-	-
1-1/4 x 8*	-	-	-	6,000	QS004103	-	-	-	-
<b>Recex (Combo Phillips &amp; Square Drive) - Quickscrews</b>									
1-1/8" x 8	-	-	-	6,000	QS012626	-	-	-	-
1-1/4" x 8	1,000	QS012671	-	6,000	QS012627	-	-	-	-

\*Standard Point, not Type 17

A  
B  
C  
D  
E  
F  
G  
H  
I  
J  
K  
L  
M  
N  
O  
P  
Q  
R  
S  
T  
U  
V  
W  
X  
Y

**A DECORATIVE HARDWARE SCREWS**

B  
C  
D  
E  
F  
G  
H  
I  
J  
K  
L  
M  
N  
O  
P  
Q  
R  
S  
T  
U  
V  
W  
X  
Y



**M4 Thread Machine Screws,  
Combo Phillips/Slotted Drive**



- For use with M4 threaded visual hardware
- For surface mounted knobs and pulls it is recommended that the screw length be 6mm (1/4") greater than the material thickness
- Uses #2 Phillips Drive bit
- Box quantities as shown below
- Sold by the box

Length	Finish	Box Qty	Item #	Quick Code
7/8" (22mm)	Zinc	100	WUMS4X22RSPZH	L48340
1" (25mm)	Zinc	100	WUMS4X25RSPZH	L48400
1-3/16" (30mm)	Zinc	100	WUMS4X30M4BZ100	L48450
1-3/8" (35mm)	Zinc	100	WUMS4X35RSPZH	L48500
1-5/8" (39mm)	Zinc	100	WUMS4X39RSPZH	L48600



**M4 Thread (Breakaway), Machine  
Screws Combo Phillips/Slotted Drive**



- For use with M4 threaded visual hardware
- 45mm long with break-a-ways at 19mm, 25mm, 32mm, and 38mm
- Uses #2 Phillips Drive bit
- Box quantities as shown below
- Sold by the box

Length	Finish	Box Qty	Item #	Quick Code
1-3/4" (45mm)	Zinc	100	WUMS4X45RBPZH	L48900



**LOOKING FOR HELP WITH  
QUICK & EASY INSTALLATION  
OF DECORATIVE HARDWARE?  
See True Position Jigs in Section U**



**DECORATIVE HARDWARE SCREWS**

A  
B  
C  
D  
E  
F  
G  
H  
I  
J  
K  
L  
M  
N  
O  
P  
Q  
R  
S  
T  
U  
V  
W  
X  
Y



**8-32 Thread Machine Screws  
Combo Phillips/Slotted Drive**



- For surface mounted knobs and pulls screw length should be 1/4" greater than the material thickness
- Uses #2 Phillips Drive bit
- Box quantities as shown below
- Sold by the box

Length	Finish	Box Qty	Item #	Quick Code	Bulk Qty	Item #	Quick Code
1/2"	Zinc	100	WUMS832X12RSPZH	L47000	1,000	WUMS832X12RSPZT	L47120
5/8"	Zinc	100	-	-	1,000	WUMS832X58RSPZT	L46950
3/4"	Zinc	100	WUMS832X34RSPZH	L47100	1,000	WUMS832X34RSPZT	L47130
7/8"	Zinc	100	WUMS832X78RSPZH	L47200	1,000	WUMS832X78RSPZT	L47220
1"	Zinc	100	WUMS832X1RSPZH	L47300	1,000	WUMS832X1RSPZT	L47320
1-1/8"	Zinc	100	WUMS832X118RSPZH	L47400	1,000	WUMS832X118RSPZT	L47420
1-1/4"	Zinc	100	WUMS832X114RSPZH	L47500	1,000	WUMS832X114RSPZT	L47520
1-3/8"	Zinc	100	WUMS832X138RSPZH	L47600	1,000	WUMS832X138RSPZT	L47620
1-1/2"	Zinc	100	WUMS832X112RSPZH	L47700	1,000	WUMS832X112RSPZT	L47720
1-5/8"	Zinc	100	WUMS832X158RSPZH	L47800	1,000	WUMS832X158RSPZT	L47820
1-3/4"	Zinc	100	WUMS832X134RSPZH	L47900	1,000	WUMS832X134RSPZT	L47920
2"	Zinc	100	WUMS832X2RSPZH	L48000	1,000	WUMS832X2RSPZT	L48020



**8-32 Thread (Breakaway)  
Combo Phillips/Slotted Drive**



- For use with 8-32 thread visual hardware
- 1-3/4" long with break-a-ways at 3/4", 1", 1-1/4" and 1-1/2"
- Uses #2 Phillips Drive bit
- Box quantities as shown below
- Sold by the box

Length	Finish	Box Qty	Item #	Quick Code	Bulk Qty	Item #	Quick Code
1-3/4"	Zinc	100	WUMS832X134RBPZH	L48700	1,000	WUMS832X134RBPZT	L48720

**A EURO SCREWS**



**Flat Head, Pozidrive,  
7.2mm Head Diameter**



- Case hardened, Nickel
- Uses #2 Pozidrive bits
- Box quantities as shown below
- Sold by the box

Length	Finish	Box Qty	Item #	Quick Code
7.5mm	Nickel	1,000	WUES7.2X75FSZENT	L59920
10mm	Nickel	1,000	WUES5X10FSZNT	L60000
11.5mm	Nickel	1,000	WUES5X115FSZNT	L60100
13mm	Nickel	1,000	WUES5X13FSZNT	L60200
14.5mm	Nickel	1,000	WUES5X145FSZNT	L60300
20mm	Nickel	1,000	WUES7.2X20FSZENT	L60420
25mm	Nickel	1,000	WUES7.2X25FSZENH	L60520



#2 Phillips Drive

**Flat Head, #2 Phillips or  
Square Drive, 7.5mm Head Diameter**



- Case hardened, Nickel
- Box quantities as shown below
- Sold by the box



#2 Square Drive

Length	Finish	Box Qty	Item #	Quick Code
<b>#2 Phillips Drive</b>				
13mm	Nickel	1,000	WUES7.5X13FPENT	L60260
<b>#2 Square Drive</b>				
13mm	Nickel	1,000	WUES7.5X13FSENT	L60250
<b>#2 Pozidrive</b>				
20mm	Nickel	1,000	WUES5X20FSZNH	L60400
25mm	Nickel	1,000	WUES5X25FSZNH	L60500



#2 Pozidrive

**Flat Head, #2 Phillips or  
Square Drive, 7.5mm Head Diameter**



- Fine thread
- Box quantities as shown below
- Sold by the box

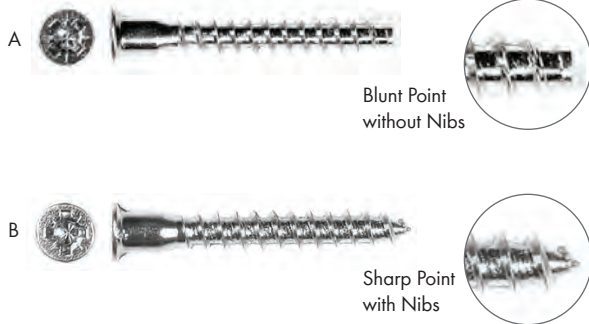


#2 Square Drive

Length	Drive Type	Finish	Box Qty	Item #	Box Qty	Item #
<b>7.5mm - 7.8mm head for Grass® brand drawer slides</b>						
13mm	Square	Nickel	1,000	QS010590	10,000	QS010589
<b>7.0mm - 7.3mm head for all other european slides</b>						
13mm	Pozi	Nickel	1,000	QS006020	10,000	QS000227
18mm	Pozi	Nickel	-	-	5,000	QS011737
25mm	Pozi	Nickel	-	-	5,000	QS006021



## CONFIRMAT & CONNECTING SCREWS



### Confirmat Screws, Pozidrive

- Designed for use in case assembly
- Pilot hole diameter 5.4mm, shank dia. 7mm, and Pozidrive head dia.10mm
- 5mm use #2 Pozidrive bits; 7mm use #3 Pozidrive bits
- Box quantities as shown below
- Sold by the box



	Size	Finish	Thread	Box Qty	Item #	Quick Code	Bulk Qty	Item #	Quick Code
<b>Blunt Point Without Nibs</b>									
A	7 x 50mm	Zinc	Coarse	100	WUDS7X50FSZZH	L70100	1000	WUDS7X50FSZZT	L70200
	7 x 50mm	Zinc	Coarse	-	-	-	2000	QS000225	-
	7 x 50mm	Zinc	Fine	-	-	-	2000	QS05502F	-
<b>Blunt Point With Nibs</b>									
	7 x 50mm w/ Covercap Hole	Zinc	Coarse	-	-	-	2000	QS05361C	-
<b>Sharp Point With Nibs</b>									
B	5 x 50mm w/ Covercap Hole	Zinc	Fine	-	-	-	4000	QS013720	-
	7 x 50mm	Zinc	Coarse	-	-	-	1000	WUDS7X50FSZZNT	L70400
	7 x 50mm	Zinc	Coarse	-	-	-	2000	QS05502C	-
<b>Sharp Point Without Nibs</b>									
-	7 x 50mm	Zinc	Coarse	100	WUDS7X50FSZT	L70405	1000	WUDS7X50FSZH	L70310

ASSOCIATED ITEM: **Item #:** QS012793 **5-7-10MM Confirmat Step Drill Bit High Speed Steel**

- Used to Drill Holes to Use Confirmat Screws for European Cabinet Construction Method.



### Connecting Screws, 5mm Bore

- Ribbed to prevent rotation while tightening
- Male and female components sold separately
- Combi slot head, for 19 mm Panels



Item #	Component	Size
WDT1215	Male	M4 x 15mm
WDT1222	Female	5 x 35mm M4



**FOR BITS & BIT HOLDERS**  
See pages P-36 to P-38



A  
B  
C  
D  
E  
F  
G  
H  
I  
J  
K  
L  
M  
N  
O  
P  
Q  
R  
S  
T  
U  
V  
W  
X  
Y

**A BITS & ACCESSORIES**

B  
C  
D  
E  
F  
G  
H  
I  
J  
K  
L  
M  
N  
O  
P  
Q  
R  
S  
T  
U  
V  
W  
X  
Y



- Assorted sizes Phillips, Square and Pozi bits

**Drive & Insert Bits**



Item #	Brand	Magnetic	Screw Size	Overall Length	Sold In
<b>Phillips Drive Bits</b>					
WR0614176274	Würth	No	#1	1"	1 each
WR0614176461	Würth	No	#2	1"	1 each
WU92210	Würth	No	#2	1"	1 each
WU92220	Würth	No	#2	2"	1 each
WU92230	Würth	No	#2	2-3/4"	1 each
QS12692P	Quickscrews	Yes	#2	3-1/2"	1 pack of 10
QS12694P	Quickscrews	Yes	#2	6"	1 pack of 10
WR0614176648	Würth	No	#3	1"	1 each
<b>Phillips Drive Bits - Reduced Shank</b>					
QS11759P	Quickscrews	No	#2	1"	1 pack of 10
QS11759B	Quickscrews	No	#2	1"	1 Pack of 100
<b>Pozi Drive Bits</b>					
WR0614176652	Würth	No	#2	1"	10 each
WR0614176653	Würth	No	#3	1"	1 each
<b>Square Drive Bits</b>					
LCTBS2X1RS	Würth	No	#2	1"	1 each
QS12695P	Quickscrews	Yes	#2	1-15/16"	1 pack of 10
WU90220	Würth	No	#2	2"	1 each
FCPHSQUARE2-5S	FastCap	No	#2	2"	1 pack of 5
QS12696P	Quickscrews	Yes	#2	2-3/4"	1 pack of 10
LCTBS2X3RS	Würth	No	#2	3"	1 each
QS12697P	Quickscrews	Yes	#2	3-1/2"	1 pack of 10
WU90240	Würth	No	#2	4"	1 each
LCTBS2X6RS	Würth	No	#2	6"	1 each
KRD6X2	Kreg	No	#2	6"	1 set of 2
FCPH6SQDRIVE	FastCap	No	#2	6"	1 each
QS12698P	Quickscrews	Yes	#2	6"	1 pack of 10
<b>Torx Drive Bits</b>					
FCPHTORXT20-2IN	FastCap	No	T20	2"	1 pack of 5
FCPHTORXT20-6IN	FastCap	No	T20	6"	1 each

**Painted Square Drive Bits**

- Makes it easy to identify the right bit (tip of bit is not painted)
- Sold by the each



Item #	Color	Fits Screw Size	Overall Length
WU91210	Red	#2	1"
WU91220	Red	#2	2"
WU91230	Red	#2	3"
WU91260	Red	#2	6"



**BITS & ACCESSORIES**

A  
B  
C  
D  
E  
F  
G  
H  
I  
J  
K  
L  
M  
N  
O  
P  
Q  
R  
S  
T  
U  
V  
W  
X  
Y



**AW® ASSY DRIVE Bits**

- For use with ASSY drive screws
- Sold by the each



Item #	Fits Screw Size	Overall Length
WRAW10	#10 Purple	1"
WRAW20	#20 Orange	1"
WRAW20-4	#20 Orange	4"
WRAW20-6	#20 Orange	6"
WRAW25	#25 Green	1"



**Bit Magnet**

- Slide over the base of a 1" insert bit, 6" extended bit, or anything in between and the magnetic transfer picks up multiple screws with ease
- Sold by the each



Item #
FCTIPMAG



**Insert Bit Holder, Magnetic**

- High energy magnet helps alleviate the problem of lost bits
- Sold by the each



Item #	Overall Length	Brand
BO40831	2-1/8"	Bosch
WR0614176702	3"	Wurth



**Insert Bit Holder with Quick Change Chuck**

- A slight forward motion of the locking sleeve unlocks the bit for a quick change
- Sold by the each



Item #	Overall Length	Brand
<b>Non-Magnetic</b>		
WR0614176711	2"	Wurth

Item #	Overall Length	Brand
<b>Magnetic</b>		
WU99010	2-1/4"	Wurth
WR614176708	3"	Wurth



**Insert Bit Holder, Magnetic, One Touch Release**

- Soft push on the button, the bit will shoot forward due to the internal spring for easy removal
- Stainless steel housing
- Sold by the each



Item #
WR0614176638

**A BITS & ACCESSORIES/TITE-JOINTS**

B  
C  
D  
E  
F  
G  
H  
I  
J  
K  
L  
M  
N  
O  
P  
Q  
R  
S  
T  
U  
V  
W  
X  
Y



Bit not included

**TaperLock® Bit Holder**



- Unique patented design uses a tapered spindle to firmly hold any bit in place
- The harder you pull, the tighter it gets
- Also features a one-touch auto-lock for easy release of the bit with one hand

<b>Item #</b>
FCTAPERLOCK



**Right Angle Drill Attachment, Magnetic, 1/4" Bit Mount with Quick Change Chuck**



- Suitable for use with electric drills and battery operated driver drills
- Specially hardened steel enables maximum torque, with a maximum speed of 2,000 RPM's
- Secure hold and 360° step-free adjustable handle
- Compact design is perfectly suited for screwing in cramped and hard-to-reach places

<b>Item #</b>
WR06149000



**Universal Bit Set, 90 Piece, Magnetic**



- Includes standard drive styles and safety screws, 1/4" drive magnetic ratchet adapter and sturdy metal box
- Comes in foam insert to keep the bits nicely organized

<b>Item #</b>
WR0614250500



**Flipbolt, Tool-less Draw Bolt**

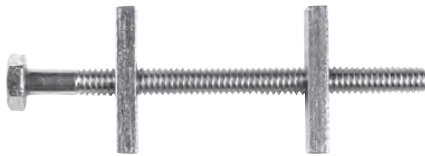


- 4-1/2" long
- Place Flipbolt in cutout (template available), hand tighten nut, Flipbolt tightens when lever is pushed
- Jig works with both sizes of Flipbolt

Item #	Description
FCFLIPBOLT-SHORT	FlipBolt, 3-1/2"
FCFLIPBOLT	FlipBolt, 4-1/2"
FCFLIPBOLTJIG	Flip Bolt Template

**TITE-JOINTS**

A  
B  
C  
D  
E  
F  
G  
H  
I  
J  
K  
L  
M  
N  
O  
P  
Q  
R  
S  
T  
U  
V  
W  
X  
Y



**Economy Tite-Joint (Dog Bone) Fasteners**

- Hex head
- Ideal for field joints in countertops
- Steel, bright zinc plated
- Box quantities as shown below
- Sold by the box



Item #	Brand	Bolt Size	Box Qty
WUMSDBH	Würth	3-1/2"	100
WUMSDBB	Würth	3-1/2"	500
QS005368	QuickScrews	4"	350
KV513ZC	KV	4"	100



**Deluxe Tite-Joint (Dog Bone) Fasteners**

- Designed for 3/4" thick substrate
- Center to center 2" to 3-1/2"



Item #	Description	Box Qty	Sold in Multiples of
KV516/25	Complete Tite Joint	25	1 each
KV516/100	Complete Tite Joint	100	100 each



**Zipbolt™ Tite-Joint Fastener**

- Integrated gearing system
- Tighten using a 4mm hex drive bit in a drill, hand driver, or Allen key
- Can be tightened in just 3 seconds using the driver bit in a drill
- Each box contains a 4mm hex drive bit
- Box quantities as shown below
- Sold by the box



Item #	Description	Box Qty
WUZIPBOLT	Zipbolt Fastener	60
WUZIP4MMBIT	4mm Hex Drive Bit	1

**A COVERCAPS**

B  
C  
D  
E  
F  
G  
H  
I  
J  
K  
L  
M  
N  
O  
P  
Q  
R  
S  
T  
U  
V  
W  
X  
Y



**Peel & Stick Plastic Covercaps, PVC**



- PSA adhesive backed cover caps, adhesive strength increases as it cures
- Sold by the box

Item #	Description
FCAP91641PVC	PVC and Metallic Sampler Box

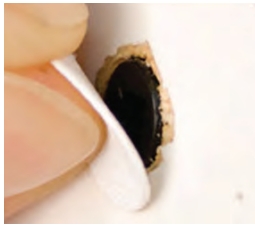
\* White also available in bulk box of 26,500 caps -

**Item #: FCSP916BULKWH**

Style	Dia.	Color/Species	Mini Box Qty	Item #	Standard Box Qty	Item #
Solid Color	9/16"	Almond	265	FCMB916AL	1,060	FCSP916AL
Solid Color	11/16"	Almond	-	-	720	FCSP18MMAL
Solid Color	9/16"	Antique White	265	FCMB916AW	1,060	FCSP916AW
Solid Color	9/16"	Black	265	FCMB916BL	1,060	FCSP916BL
Solid Color	11/16"	Black	-	-	720	FCSP18MMBL
Solid Color	9/16"	Fog Gray	265	FCMB916DG	1,060	FCSP916DG
Solid Color	11/16"	Fog Gray	-	-	720	FCSP18MMDG
Solid Color	9/16"	Folkstone	265	FCMB916LG	1,060	FCSP916LG
Solid Color	11/16"	Folkstone	-	-	720	FCSP18MMLG
Solid Color	3/8"	White	-	-	1,800	FCSP3/8WH
Solid Color	9/16"*	White	265	FCMB916WH	1,060	FCSP916WH
Solid Color	11/16"	White	180	FCMB18MMWH	720	FCSP18MMWH
Solid Color	1"	White	100	FCMB1WH	400	FCSP1WH
Solid Color	1-5/8"	White	30	FCMB15/8WH	-	-
Woodgrain	9/16"	American Maple	265	FCMB916AM	1,060	FCWP916AM
Woodgrain	9/16"	Autumn Cherry	265	FCMB916AC	-	-
Woodgrain	9/16"	Beech	265	FCMB916BE	-	-
Woodgrain	9/16"	Clear Maple	265	FCMB916CM	-	-
Woodgrain	9/16"	Dark Cherry	265	FCMB916DC	-	-
Woodgrain	9/16"	Dark Mahogany	265	FCMB916DM	-	-
Woodgrain	9/16"	Golden Cherry	265	FCMB916GC	-	-
Woodgrain	9/16"	Golden Oak	265	FCMB916GO	-	-
Woodgrain	9/16"	Hardrock Maple	265	FCMB916HM	1,060	FCWP916HM
Woodgrain	11/16"	Hardrock Maple	-	-	720	FCWP18MMHM
Woodgrain	9/16"	Imperial Walnut	265	FCMB916IW	-	-
Woodgrain	9/16"	Knotty Pine	265	FCMB916KP	-	-
Woodgrain	9/16"	Light Maple	265	FCMB916LM	1,060	FCWP916LM
Woodgrain	9/16"	Light Oak	265	FCMB916LO	-	-
Woodgrain	9/16"	Mahogany on Walnut	265	FCMB916MW	-	-
Woodgrain	9/16"	Manitoba Maple	265	FCMB916MM	-	-
Woodgrain	9/16"	Medium Cherry	265	FCMB916MC	-	-
Woodgrain	9/16"	Natural Cherry	265	FCMB916NC	1,060	FCWP916NC
Woodgrain	9/16"	Presidential Walnut	265	FCMB916PW	1,060	FCWP916PW
Woodgrain	9/16"	Red Mahogany	-	-	1,060	FCWP916RM
Woodgrain	9/16"	Renaissance Oak	265	FCMB916RN	-	-
Woodgrain	9/16"	Select Cherry	265	FCMB916SC	-	-

# COVERCAPS

A  
B  
C  
D  
E  
F  
G  
H  
I  
J  
K  
L  
M  
N  
O  
P  
Q  
R  
S  
T  
U  
V  
W  
X  
Y



## Peel & Stick Covercaps, Real Wood

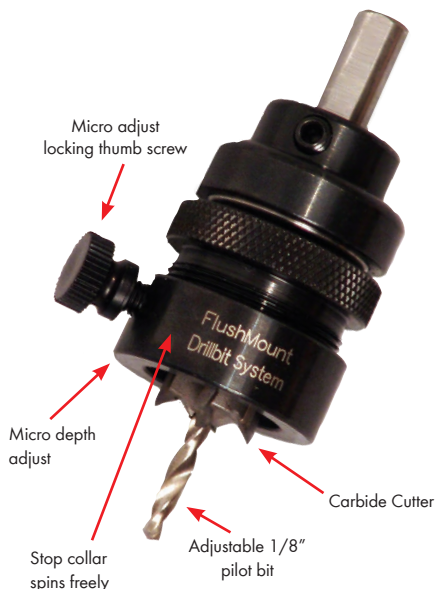


- PSA adhesive on back of each cover cap, increases in strength as it cures
- Unfinished wood caps can be sanded, stained and finished
- Prefinished real wood cover caps are finished with clear, non-yellowing laquer
- Sold by the box

Sampler Boxes	
FCAW916RW	Real Wood, Unfinished
FCPW916AW	Real Wood, Prefinished

NOTE: Image is PVC, Caps listed below are real wood.

Style	Diameter	Species	Mini Box Qty	Item #	Standard Box Qty	Item #
Prefinished Wood	9/16"	Ash	-	-	1,040	FCPW916AS
Prefinished Wood	9/16"	Birch	260	FCMB916PWB	1,040	FCPW916WB
Prefinished Wood	9/16"	Maple	260	FCMB916PMP	1,040	FCPW916MP
Prefinished Wood	9/16"	Walnut	260	FCMB916PWA	1,040	FCPW916WA
Prefinished Wood	9/16"	White Oak	260	FCMB916PWO	1,040	FCPW916WO
Unfinished Wood	9/16"	Red Oak	260	FCMB916PRO	-	-
Unfinished Wood	9/16"	Alder	260	FCMB916AD	1,040	FCSW916AD
Unfinished Wood	9/16"	Cherry	260	FCMB916CH	1,040	FCSW916CH
Unfinished Wood	9/16"	Hickory	260	FCMB916HC	-	-
Unfinished Wood	9/16"	Mahogany	260	FCMB916MG	-	-
Unfinished Wood	9/16"	Maple	260	FCMB916MP	1,040	FCSW916MP
Unfinished Wood	9/16"	Natural Birch	260	FCMB916NB	1,040	FCSW916NB
Unfinished Wood	9/16"	Red Oak	260	FCMB916RO	1,040	FCSW916RO
Unfinished Wood	9/16"	VG Fir	260	FCMB916VF	-	-
Unfinished Wood	9/16"	Walnut	260	FCMB916WA	1,040	FCSW916WA
Unfinished Wood	9/16"	White Birch	260	FCMB916WB	1,040	FCSW916WB
Unfinished Wood	9/16"	White Oak	260	FCMB916WO	1,040	FCSW916WO



## Micro Flushmount Drill Bit System, For Fastcap Covercaps



- Unique ball bearing stop collar that controls the recess depth the drill creates and allows the stop collar to stop spinning when it comes in contact with the surface you are drilling
- Both pilot bit (1/8") and countersink bit (9/16") are adjustable
- 9/16" countersink allows you to perfectly flush screws and covercaps
- Micro adjust locking thumb screw

Item #	Description
FCDBC916MICRO	Flushmount Bit, 9/16"
FCDB916-DRILL	Replacement Inner Bit
FCDB38	Carbide Cutter, 3/8"
FCDB916	Carbide Cutter, 9/16"
FCDB18MM	Carbide Cutter, 18mm

**A COVERCAPS**

B  
C  
D  
E  
F  
G  
H  
I  
J  
K  
L  
M  
N  
O  
P  
Q  
R  
S  
T  
U  
V  
W  
X  
Y



FCPUNCHSET

**Custom Color Covercaps Tool**



- Punch your own custom color Fastcap cover caps
- For use punching .018 to .022 thick edgbanding and veneer
- Not recommended to use punching plastic laminate
- Ratcheting cutter and built in ejector pin

Item #	Includes
FC916PUNCH	Hard shell case; 1" x 50' SpeedTape; 3/8", 9/16" and 18mm die, Hole Punch Tool, PowerHead Screws
FCPUNCHSET	All of the above, plus FlushMount Drill Bit System
FCPUNCHPRO	All of the above, plus 3/8" and 18mm Carbide Cutters



**Plastic Screw Covercaps**



- Knock in cover caps for #6 & #8 phillips drive screws
- Sold by the 1,000

Item #	Color
TI1020-AL	Almond
TI1020-BK	Black
TI1020-DB	Dark Brown
TI1020-GR	Grey
TI1020-LB	Light Brown
TI1020-MH	Mahogany
TI1020-WH	White



**Finishing Washer**



- Provides a clean, finished look for flat head screws
- Box quantities as shown below
- Sold by the box

Fits Screw Size	Finish	Material	Box 100 Item #	Quick Code	Box 1,000 Item #	Quick Code
#6	Nickel	Steel	-	-	WUMS6-WASHER-NLK	L49025
#8	Black	Steel	-	-	WUMS8-WASHER-BLK	L49175
#8	Nickel	Steel	WUMS8-WASHERNH	L49100	WUMS8-WASHERNT	L49125
#10	Nickel	Steel	WUMS10-WASHERNH	L49300	WUMS10-WASHER-NKL	L49400



## POCKET-HOLE PLUGS/SPECIALTY COVERCAPS

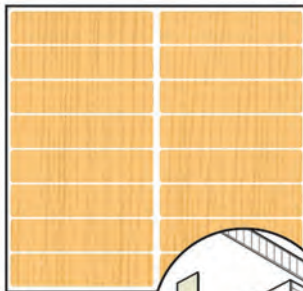


### Pocket-Hole Plugs

- Use when pocket-holes won't be hidden on the backside of a project or for decorative use
- 50 plugs per pack
- Sold by the pack



Item #	Material	Color/Species
KRCAP-WHT-50	Plastic	White
KRP-MA	Solid Wood	Maple
KRP-OAK-50	Solid Wood	Oak
KRP-PIN-50	Solid Wood	Pine
KRP-PNT-50	Solid Wood	Paint Grade



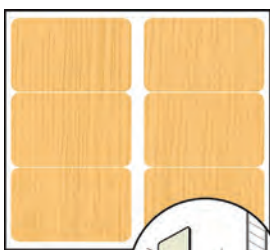
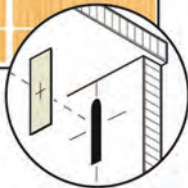
### Covercaps For Pocket Cutter Holes Self-Adhesive PVC



- Designed for covering holes bored by pocket hole cutters
- Overall size: 2-1/2"L x 9/16"W
- Sold by the box (16 caps per sheet, 20 sheets per box)

Material	Color	Item #	Color	Item #
PVC	Almond	FCSPCCAL	Fog Gray	FCSPCCDG
PVC	Antique White	FCSPCCAW	Folkstone	FCSPCCLG
PVC	Black	FCSPCCBL	White	FCSPCCWH

NOTE:  
Representation only;  
caps will be as noted  
on table



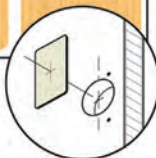
### Covercaps For 35mm Hinges, Self-Adhesive PVC



- Designed to cover unused or misplaced holes bored in doors for European hinges
- Covercap measures 1-9/16" Wide by 2-1/2" Long
- Material is .020" thick PVC, White finish
- Sold by the box

Item #	Material	Color	Caps per Sheet	Sheets per Box
FCMBH25WH	PVC	White	6	5
FCSPH25WH	PVC	White	6	20

NOTE:  
Representation only;  
caps will be White



### Hinge Hole Repair Kits

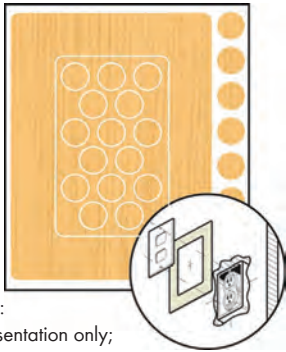
- Designed to quickly repair missed drill holes for cabinet door hinges
- Standard packet contains (2) 35mm and (4) 8mm plugs, a glue swab, and instructions
- High quality solid hardwood
- For 2 hinge door repair
- True face grain
- Tapered for easy installation



Item #	Color
KO358A	Alder
KO358C	Cherry
KO358M	Maple
KO358O	Red Oak

**A SPECIALTY COVERCAPS**

B  
C  
D  
E  
F  
G  
H  
I  
J  
K  
L  
M  
N  
O  
P  
Q  
R  
S  
T  
U  
V  
W  
X  
Y



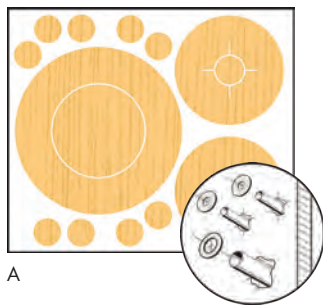
**Electrical Box Trim, Self-Adhesive PVC**



- Overall size: 4-1/8"W x 5-9/16"H
- Designed to trim the cutout for a standard size (2-1/4" wide x 3-3/4" high) plastic electrical box
- Sheets contains (1) electrical box trim ring and (23) 9/16" diameter white Fastcap cover caps
- Sold by the box

NOTE:  
Representation only;  
caps will be White

Item #	Material	Color	Sheets per Box
FCMBE1DG	PVC	Fog Gray	5
FCMBE1WH	PVC	White	5
FCSPE1WH	PVC	White	20

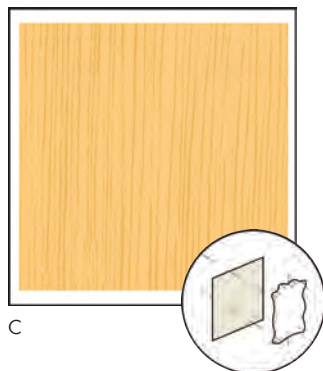
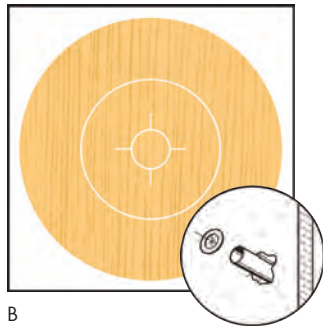


**Plumbing Covercaps. PVC**



- PSA adhesive backed cover caps, adhesive strength increases as it cures
- Sold by the box

	Each Sheet Contains	Color	MiniBox Item #	Sheets per Box	Standard Pack Item #	Sheets per Box
A	(2) 1/2" Supply Line Covercaps (1) 1-1/2" Waste Line Covercap	Almond	-	-	FCSP1AL	20
		Antique White	-	-	FCSP1AW	20
		White	-	-	FCSP1WH	20
B	(1) 1/2" Supply Line Covercap (1) 2-7/16" Waste Line Covercap	HardRock Maple	FCMBP3HM	5	-	-
		White	FCMBP3WH	5	FCSP3WH	20
		HardRock Maple	-	-	FCWPP4HM	20
C	(1) 5" x 5" Covercap	HardRock Maple	FCMBP5HM	5	FCWPP5HM	20
		White	FCMBP5WH	5	FCSP5WH	20
		White	-	-	FCSP4WH	20



## MIRROR/BACKSPLASH CLIPS

A  
B  
C  
D  
E  
F  
G  
H  
I  
J  
K  
L  
M  
N  
O  
P  
Q  
R  
S  
T  
U  
V  
W  
X  
Y



### Plastic Mirror Clips, Clear

- Use to attach mirrors to walls or cabinets
- Clear for use against any color
- Screws included
- Sold in full boxes only



Item #	For Material Thickness	Box Qty
KV6094-PLAS	1/8"	100
KV6092-PLAS	1/4"	150



### Smart Clip® Backsplash Fasteners



Installing the Smart Clip®:

1. Rout the laminated backsplash.
  2. After measuring and drilling 12" intervals on backsplash, install screws (included) into the bottom of the backsplash.
  3. Install the Smart Clip® on the countertop, butting the wall, using the screws provided.
  4. Run a bead of caulk along the line of Smart Clips®, and drive the backsplash into position.
- Easy to use, install in minutes, are waterproof, and allow formfitting the backsplash of a countertop to nearly any wall surface
  - Eliminates scribing, mastics, metals, and front caulking
  - Sold by the each, available any quantity

Item #	Description	Box Qty
DKCLIP	Smart Clip®	250
<b>Accessories</b>		
DKRB	Router Bit	1
DKSDG	Depth Gauge	1
DKSB	Spacing Bar	1



### Keyhole Plates

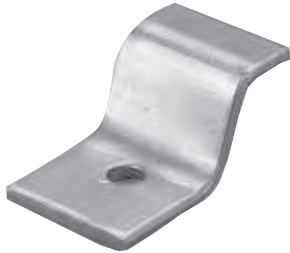
- Used for assembling chairs, beds, cabinets, etc
- Countersunk hole for #6 flat head screws; Rigid connection with #10 round head screws (no screws included)
- .095 gauge cold rolled steel, zinc plated



Item #	Size
SY67S	1-5/8"L x 9/16"W

**A MISCELLANEOUS FASTENERS**

B  
C  
D  
E  
F  
G  
H  
I  
J  
K  
L  
M  
N  
O  
P  
Q  
R  
S  
T  
U  
V  
W  
X  
Y



**Top Fasteners, Steel**

- Ideal for connecting tops made of solid wood where expansion and contraction may be a problem
- The "leg" of the clip "floats" in a saw kerf allowing the top to breathe and not crack
- Uses #5 Flathead screws (not included)



Item #	Gauge Steel
KV323	14



**Desk Top Fasteners**

- Ideal for mounting tops to legs or table bases
- Screws not included



Item #	Gauge Steel	Length	Width	Finish
KV1547-STL	12	1-1/4"	3/4"	Steel
KV1548-ZC	18	1-1/4"	3/4"	Zinc



**Mending Plates**

- Zinc plated rust resistant steel
- Countersunk screw holes
- Screws not included
- Sold by the each



Item #	Size	Gauge	Recommended Screw Size	# Screw Holes
FE225-3	3" L x 3/4" W	14	#8	4
FE225-4	4" L x 3/4" W	14	#8	4



**Plastic Vertical Divider Clip**

- Holds vertical dividers in place
- Not for horizontal shelf applications
- Bore hole: 5mm diameter
- Sold in unit of measure as noted below



Item #	Description	Finish	Unit of Measure	Qty Per Bag
BA1941-CLP	Vertical Divider Clip	Clear	Bag	50

**BRACES**

A  
B  
C  
D  
E  
F  
G  
H  
I  
J  
K  
L  
M  
N  
O  
P  
Q  
R  
S  
T  
U  
V  
W  
X  
Y



**Corner Chair Braces**



- Uses 3/4" x #10 flathead wood screws
- Stamped steel, zinc plated finish
- Screws not included (3/4" x 10 flathead)
- Sold by the each

Item#	Size	Box Qty
KV341ZC	1" L x 1" W	100
KV342-ZC	2" L x 2" W	100

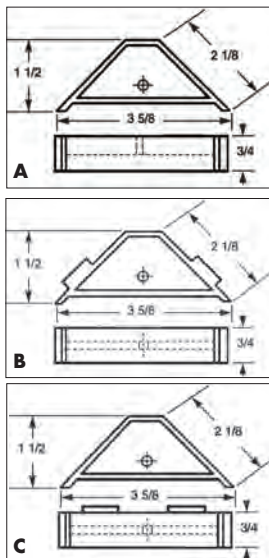


**Corner Braces**



- Zinc plated rust resistant steel
- Sold by the each
- Screws not included

Item #	Size	Gauge	Recommended Screw Size	# Screw Holes
FE226-1	1" x 1"	15	#8	2
FE226-1.5	1.5" x 1.5"	15	#8	4
FE226-2	2" x 2"	14	#8	4
FE226-3	3" x 3"	12	#8	4
FE226-4	4" x 4"	11	#8	4



**Corner Braces, Plastic Glue Boxes**



- Made of high impact, specially compounded plastic material
- Can be stapled through without shattering and will also accept glue
- Off-center screwholes for easier screwgun access into corner of the cabinet
- Braces are 3-5/8" L and 3/4" D
- **A. Has no tabs; B. Has tabs extending out; C. Has tabs projecting up**
- Screws not included
- Sold by the each

	Item #	Color	Box Qty
A	HGH441E1400	Translucent	1,400
B	HGH443E1300	Translucent	1,300
C	HGH445E1200	Translucent	1,200



**Corner Braces**



- Made of plastic
- Sold in boxes of 1,000 pieces

Item #	Description	Size	Finish	Box Qty
BA1680-62	Corner Brace	1-1/4" x 1-1/4" x 3/4"	White	1,000
BA1685CL-62	Corner Brace	1-1/8" x 1-1/8" x 1-1/8"	Clear	1,000
BA1693-62WH	Corner Brace	2-1/2" x 2-1/2" x 3/4"	White	1,000

**A INTERLOCKING PANEL ASSEMBLY HARDWARE**

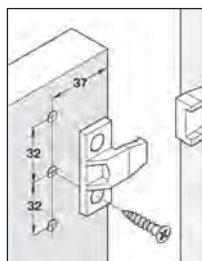
B  
C  
D  
E  
F  
G  
H  
I  
J  
K  
L  
M  
N  
O  
P  
Q  
R  
S  
T  
U  
V  
W  
X  
Y



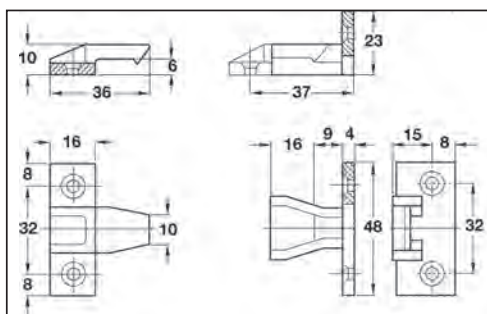
**“Keku” Push-In Fittings**

- Designed for fastening panels to frames
- Components to be mounted are pushed on from the front eliminating the need for free space at the top or side as required by suspension fittings
- Panel element locks into the frame element as it is pushed home
- Fits 32mm system

NOTE: Order male and female separately. Sold by the each.



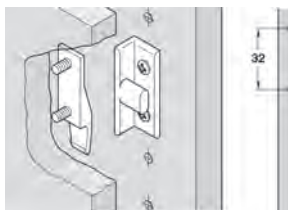
Item #	Type
HA262.50.368	Male
HA262.50.359	Female



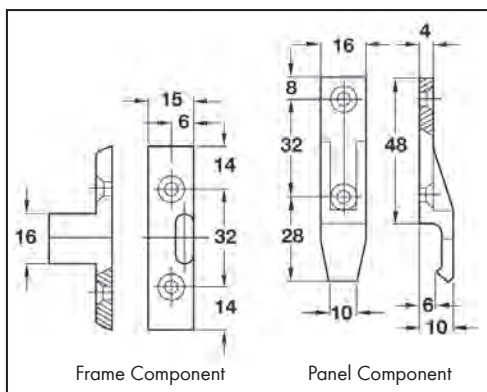
**“Keku” Suspension Fittings**

- Pre-assembly of sub-frames and cabinet components such as speaker fronts, wainscoting, radiator covers or wherever access is needed after installation
- System consists of a frame and panel element, both made out of a nylon
- If required, suspended panels can be simply released at anytime without special tools
- Fits 32mm systems

NOTE: Order male and female separately. Sold by the each.



Item #	Type
HA262.49.356	Male
HA262.49.365	Female



## POST HANGERS/RETAINING CLIPS

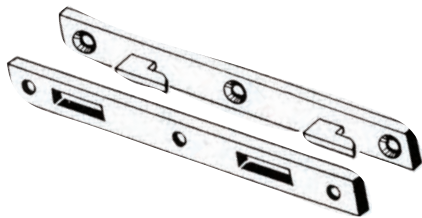


### Surface Mounted Post Hangers



- For board widths 4" to 7"; for larger widths, 2 units on each corner may be used for increased rigidity
- Surface mounted brackets require no mortising or machining
- Takes #6 flathead screws (not included)
- Sold by the set of 4 males and 4 females

Item #	Length
HA271.05.906	3-7/8"

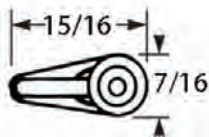


### Post Hangers



- For beds, booths, removable partitions, shelf brackets, etc.
- Screws not included (recommended 3/4" x 8 flathead)
- Sold by the set of 4 males and 4 females

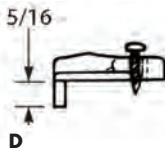
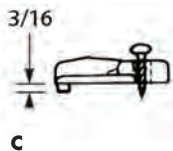
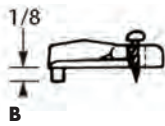
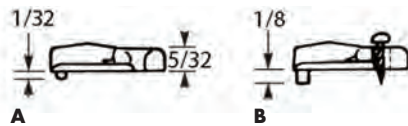
Item #	Length	Width
SY74-4	4"	11/16"
SY74-5	5"	11/16"
SY74-6	6"	11/16"



### Glass & Panel Plastic Retaining Clips



- Holds panels in place and prevents rattling by maintaining a soft pressure against the panel or glass
- Uses #5 flat head or oval head screw
- Sold by the each



	Clear Item #	Tan Item #	Walnut Item #	Application Type
A	HGH242CL1000	HGH242T1000	-	Flush
B	HGH261CL1000	-	HGH261WAL1000	1/8" Inset
C	HGH262CL1000	-	-	3/16" Inset
D	HGH264CL1000	-	-	5/16" Inset



### Plastic Screen Clip



- Flush mount
- Sold in unit of measure as noted below

Item #	Description	Finish	Unit of Measure
BA1803-CL	Screen Clip	Clear	Hundred

**A Z-CLIPS / PANEL HANGING SYSTEM**

B  
C  
D  
E  
F  
G  
H  
I  
J  
K  
L  
M  
N  
O  
P  
Q  
R  
S  
T  
U  
V  
W  
X  
Y



**Z-Clips, 5403 Series**

- Made of aluminum
- 2 interlocking aluminum clips; one attaches to the wall (Long Wall Clip) and the other (Short Hang Clip) attaches to a panel or cabinet
- Sold per each



Item #	Description	"A" Size	"B" Size	Overall Size	Holes Per Clip
PR5403-AM	Short Hang Clip	0.375"	0.25"	1.375" x 2"	2
PR5403-72AM	Long Wall Clip	0.375"	0.25"	1.375" x 72"	-



**Z-Clips, 5337 Series**

- Made of aluminum
- 2 interlocking aluminum clips; one attaches to the wall (Long Wall Clip) and the other (Short Hang Clip) attaches to a panel or cabinet
- Sold per each



Item #	Description	"A" Size	"B" Size	Overall Size	Holes Per Clip
PR5337-AM	Short Hang Clip	0.625"	0.175"	1.875" x 2"	2
PR5337-72AM	Long Wall Clip	0.625"	0.175"	1.875" x 72"	-



**Interlocking Panel Assembly Hardware  
Flushmount Hangers**



- For wall-panels, wall-hung cabinets, mirrors, bed headboards, and displays
- Two interchangeable interlocking pieces mate perfectly to provide secure fastening in only 1/8" assembled thickness
- Made of .062" gauge steel, zinc plated
- Four screwholes are countersunk for #6 flat head screws (not included)
- Available any quantity of sets

Item #	Size	Box Qty
SYK418Z	1-1/2"W x 1-3/4"H	500 sets



**WALL PANEL BRACKET / ANCHORS**

A  
B  
C  
D  
E  
F  
G  
H  
I  
J  
K  
L  
M  
N  
O  
P  
Q  
R  
S  
T  
U  
V  
W  
X  
Y



**Fastmount Panel Mounting System  
Very Low Profile Clip Set**



- Perfect for mounting removable, thin wall panels and facings
- No special installation tools are required, designed to be installed by screw or adhesive
- Set includes: (1) female clip, (1) male clip & (1) stainless steel screw
- Sold per set

Item #	Dimensions	Pull Out Force
SGVL-03	1.102"Dia. X 0.299"H	11 lbs.



**Wall Panel Bracket**



- Hanging wall panels just got a whole lot easier and completely invisible!
- All you need to do is cut a 2" x 2" hole in the sheetrock over a stud, install this Wall Panel bracket, route into the back of your panel, and hang it

Item #	Weight Capacity
SHBWP-3	75 lb

NOTE: Mfr recommends using construction adhesive between panel and sheetrock for added stability.

**For dimensional line drawing,  
see our website.**



Zinc



Nylon

**Drywall Anchor, Multi-Drive**



- Install into 3/8" to 1" wallboard
- Patented drive can be installed with Pozi, AW or Torx bits
- Minimal space requirement behind sheet (only 15mm)
- Use with sheet metal or drywall screws - screws are removable (not included)
- Sold in full boxes of 200 only

Item #	Material	Length x Gauge
WR0903252	Zinc	1-3/8" x 6
WR0903251	Nylon	1-3/8" x 6

**A DOWEL RODS**

B  
C  
D  
E  
F  
G  
H  
I  
J  
K  
L  
M  
N  
O  
P  
Q  
R  
S  
T  
U  
V  
W  
X  
Y



**Dowel Rods**

- Dowel rods sold by the each





Diameter	36" Length Item #	UM	48" Length Item #	UM
1/4"	EXDR-14X36	EA	EXDR-14X48	EA
1/2"	EXDR-12X36	EA	EXDR-12X48	EA
3/8"	EXDR-38X36	EA	EXDR-38X48	EA
5/8"	EXDR-58X36	EA	EXDR-58X48	EA
3/4"	-	-	EXDR-34X48	EA
1"	EXDR-100X36	EA	EXDR-100X48	EA



**Dowel Pins**

- Dowel pins sold by the HU (100) or BX (box) as noted below



	Size	Item #	UM	Box Qty	Item #	UM	Box Qty
<b>MULTI GROOVE, METRIC</b> 	5mm x 25mm	EXDPMG-05X25-B	HU	-	-	-	-
	8mm x 30mm	EXDPMG-08X30-M	BX	1,000	EXDPMG-08X30-B	BX	19,200
	8mm x 32mm	EXDPMG-08X32-M	BX	1,000	EXDPMG-08X32-B	BX	17,800
	8mm x 35mm	EXDPMG-08X35-M	BX	1,000	EXDPMG-08X35-B	BX	16,400
	8mm x 38mm	EXDPMG-08X38-M	BX	1,000	EXDPMG-08X38-B	HU	-
	8mm x 50mm	-	-	-	EXDPMG-08X50-B	BX	12,000
	10mm x 50mm	-	-	-	EXDPMG-10X50-B	BX	13,000
<b>MULTI GROOVE, STANDARD</b> 	1/4" x 1-1/2"	EXDPMG-14X112-B	HU	-	-	-	-
	3/8" x 1-1/2"	EXDPMG-38X112-H	BX	100	EXDPMG-38X112-B	BX	13,000
	3/8" x 1-3/4"	EXDPMG-38X134-B	HU	-	-	-	-
	3/8" x 2"	EXDPMG-38X200-H	BX	100	EXDPMG-38X200-B	BX	13,000
	3/8" x 2-1/2"	EXDPMG-38X212-H	BX	100	-	-	-
	1/2" x 2-1/2"	EXDPMG-12X212-B	HU	-	-	-	-
	1/2" x 3-1/2"	EXDPMG-12X312-B	HU	-	-	-	-
	1/2" x 4"	EXDPMG-12X400-H	BX	100	EXDPMG-12X400-B	BX	3,400
<b>MULTI GROOVE, PREGLUED, METRIC &amp; STANDARD</b> 	6mm x 25mm	EXDPMGP-06X25-B	HU	-	-	-	-
	8mm x 30mm	-	-	-	EXDPMGP08X30-B	BX	20,000
	8mm x 32mm	-	-	-	EXDPMGP08X32-B	BX	20,000
	8mm x 35mm	-	-	-	EXDPMGP08X35-B	BX	20,000
	5/16" X 30mm	-	-	-	EXDPMGP-516X30-B	BX	20,000
<b>SPIRAL DOWEL PINS, STANDARD</b> 	3/8" x 1-1/2"	EXDPS-38X112-B	HU	-	-	-	-
	3/8" x 1-3/4"	EXDPS-38X134-B	HU	-	-	-	-
	3/8" x 2"	EXDPS-38X200-B	HU	-	-	-	-
	7/16" x 2"	EXDPS-716X200-B	HU	-	-	-	-
	1/2" x 2"	EXDPS-12X200-B	HU	-	-	-	-

**BISCUITS**

A  
B  
C  
D  
E  
F  
G  
H  
I  
J  
K  
L  
M  
N  
O  
P  
Q  
R  
S  
T  
U  
V  
W  
X  
Y



**Standard Compressed Beech Wood Biscuits**

- Flat ends so surplus glue remains inside the groove
- Sold by the 1,000



PORTER + CABLE

Biscuit Size	Lamello Item #	Porter Cable Item #
H9 Face Frame	CS144009	-
#0	CS144000	-
#10	CS144010	PCB5552
#20	CS144020	PCB5553



**Plastic Biscuits, C-20 Plastic**

- Made of translucent C-20 plastic, environmentally friendly polypropylene
- For joining solid surface materials
- No glue required
- Sold by the box



Item #	Biscuit Size	Dimensions	Box Qty
CS156110	C-20 Plastic	23 mm W x 60mm L	250



**Tenso P-14 Connection Fittings**

- Self-clamping connector with three functions: alignment, clamping and connecting
- High level of clamping force allows work pieces to be glued without the need for screw clamps or pressure
- Additional option of preloading the connector prior to glue applications enables use for all angles and miters and which reduces the amount of force when connecting the workpieces
- Requires use of Zeta P2 Joiner
- Sold by the box



Item #	Description	Box Qty
CS145425	P-14 Tenso Fittings	300 Sets



**Clamex P-14 Detachable Fittings**

- Detachable connector with very small opening
- Extremely fast insertion of the connectors without tools
- Versatility for all angles and joining situations
- Sold by the box



Item #	Key Opening Size	Box Qty
CS145346	6mm	300 Sets
CS145356	6mm	1,000 Sets

## A TITUS SYSTEM FITTINGS



### System 6 Quickfit Dowels

- Suitable for use with all Titus 20mm dia. and 25mm dia. System 6 housings
- Standard screw-in dowel for KD (knock-down) fittings
- Threaded for 5mm system holes
- Dowels feature an integral skirt which acts as a positive stop during insertion
- Sold in unit of measure as noted below



Item #	Drilling Length for Dowel Thread	Diameter	Unit of Measure
T106401ZN	9mm	5mm	Each
T106402ZN	8mm	5mm	Each
T106406ZN	11.5mm	5mm	Each



### System 6 Quickfit Dowel

- Suitable for use with all Titus 20mm dia. and 25mm dia. System 6 housings
- Can be removed without damage to panel surface
- Plastic expanding sleeve for a secure hold
- Threaded for 5mm system holes
- Depth collar stop for accurate insertion
- Sold in unit of measure as noted below



Item #	Drilling Length for Dowel Thread	Diameter	Unit of Measure
T106408YA	12.5mm	5mm	Each



### System 6 Quickfit Double-Ended Dowel

- Suitable for use with all Titus 20mm dia. and 25mm dia. System 6 housings
- Double dowel slides through center panel to lock in shelves on both sides
- Threaded for 5mm system holes
- Sold in unit of measure as noted below



Item #	Panel Thickness	Larger End Diameter	Smaller End Diameter	Unit of Measure
T106416ZN	19mm	5.8mm	4.8mm	Each

**TITUS SYSTEM FITTINGS**

A  
B  
C  
D  
E  
F  
G  
H  
I  
J  
K  
L  
M  
N  
O  
P  
Q  
R  
S  
T  
U  
V  
W  
X  
Y

**Titus**



**System 6 Cams, Knock-In Housing Non-Outrigger Drop-On, 20mm Dia., Plastic**

- Drop on cams feature a slight lip on the inside to help secure the top shelf until screw is set
- Ideal for use in high volume production
- Can be machine inserted or knocked in with a hammer
- Minimum drilling requirements; no edge boring required
- Linear cam design for constant tightening loads when driving
- Locking feature provides a strong vibration proof connection
- Compatible with all screw-in and Quickfit System 6 dowels
- Sold in unit of measure as noted below

Item #	For Panel Thickness	Drilling Depth	Color	Unit of Measure
TI006387BN	18/19mm	14mm	Brown	Each
TI06387-BK	18/19mm	14mm	Black	Each
TI06387WA	18/19mm	14mm	White	Each

**Titus**



**System 6 Cam, Knock-In Housing Non-Outrigger Drop-On, 20mm Dia., Zinc**

- Drop on cams feature a slight lip on the inside to help secure the top shelf until screw is set
- Ideal for use in high volume production
- Can be machine inserted or knocked in with a hammer
- Minimum drilling requirements; no edge boring required
- Linear cam design for constant tightening loads when driving
- Locking feature provides a strong vibration proof connection
- Compatible with all screw-in and Quickfit System 6 dowels
- Sold in unit of measure as noted below

Item #	For Panel Thickness	Drilling Depth	Finish	Unit of Measure
TI06449NI	18/19mm	14mm	Nickel Plated	Each

**Titus**



**System 6 Cams, Knock-In Housing W/Outrigger Drop-On, 20mm Dia., Plastic**

- Drop on cams feature a slight lip on the inside to help secure the top shelf until screw is set
- Ideal for use in high volume production
- Can be machine inserted or knocked in with a hammer
- Minimum drilling requirements; no edge boring required
- Linear cam design for constant tightening loads when driving
- Compatible with all screw-in and Quickfit System 6 dowels
- Sold in unit of measure as noted below

Item #	For Panel Thickness	Drilling Depth	Color	Unit of Measure
TI006397-BK	18/19mm	14mm	Black	Each
TI006397SV	18/19mm	14mm	Silver	Each
TI006397WH	18/19mm	14mm	White	Each

## A TITUS SYSTEM FITTINGS

B  
C  
D  
E  
F  
G  
H  
I  
J  
K  
L  
M  
N  
O  
P  
Q  
R  
S  
T  
U  
V  
W  
X  
Y



### System 1 Fitting For Rigid Assembly System

- Special self-locking, pozi drive connection screw features two different sized threads; one at 8mm diameter at the head of the screw, the other at 5mm diameter on the shaft
- Used to join two 15 or 16mm panels
- Gripping action of two different screw thread pitches working in opposition ensures the two panels remain firmly locked into position
- Sold in unit of measure as noted below

**Titus**

Item #	Description	Unit of Measure
TI00180ZN	Double locking carcass screw, #6 x 42mm	Thousand



### System 5 Quickfit TL Dowel

- Suitable for use with all Cam2000 series cams
- Sold in unit of measure as noted below

**Titus**

Item #	Drilling Diameter	Drilling Distance	Unit of Measure
TI05441YA	8mm dowel thread	24mm	Hundred



### System 5 Quickfit P2F Dowel

- Suitable for use with all Cam2000 series cams
- Sold in unit of measure as noted below

**Titus**

Item #	Drilling Diameter	Drilling Distance	Unit of Measure
TI05570YA	10mm dowel thread	24mm	Hundred



### System 5 Quickfit Combi Dowel

- Suitable for use with all Cam2000 series cams
- Sold in unit of measure as noted below

**Titus**

Item #	Drilling Diameter	Drilling Distance	Unit of Measure	Box Qty
TI09424.885.001	6mm dowel thread	34mm	Box	2,000



### System 5 Cams, Cam2000 Series

- Cam Diameter: 15mm
- Made of Zinc
- Sold in unit of measure as noted below

**Titus**

Item #	Panel Thickness	Drilling Depth	Drilling for Dowel	Unit of Measure
TI05653ZN	12/13mm	10.9mm	6-6.5mm	Each
TI05656ZN	18/19mm	14mm	9-9.5mm	Hundred

**SECTION Q - TABLE OF CONTENTS**

**Section Q Contents:**

Discs, Paper Backed..... 2-5

Discs, Film Backed..... 6-11

Discs, Cloth Backed ..... 11-12

Discs, Non-Woven..... 13

Discs, Foam..... 14-15

Discs, Net/Mesh..... 15

Dynafine® Abrasives &  
Sanding Stars ..... 16-17

Backup Pads, Interface Pads  
and Pad Savers ..... 18-23

Sheets, Film Backed..... 24

Sheets, Foam ..... 24-25

9x11 Sheets, Paper & Cloth  
Backed ..... 26-28

Hand Sanding, Non-Woven..... 28

Hand Sanding, Sponges & Pads..... 29-30

Hand Sanding Accessories ..... 31

Sanding Rolls..... 32

Belt Cleaners ..... 33

Belts, Portable..... 34-35

Graphite Rolls..... 36

Belts, Edge..... 36

Belts, Wide ..... 37-39



A  
B  
C  
D  
E  
F  
G  
H  
I  
J  
K  
L  
M  
N  
O  
P  
Q  
R  
S  
T  
U  
V  
W  
X  
Y



**A PAPER BACKED DISCS**

B  
C  
D  
E  
F  
G  
H  
I  
J  
K  
L  
M  
N  
O  
P  
Q  
R  
S  
T  
U  
V  
W  
X  
Y



No Hole

**5" A/O Discs, C-Weight Paper Back**

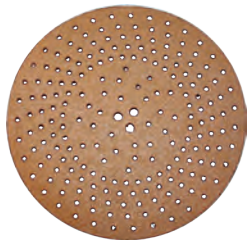
- Aluminum oxide on latex coated C-weight paper
  - Latex coated paper increases disc's flexibility and moisture resistance
  - Open coat design provides no load performance
  - The right choice for general shop use, fine sanding and heavy stock removal
- Packing: PSA discs are flat packed (tabbed) 100 discs per box. Sold by the box.  
Hook and loop discs are flat packed 50 discs per box. Sold by the box.



5 Hole



8 Hole



Multi-hole

Grit	5" No Hole		5" 5 Hole
	PSA Item #	Hook & Loop Item #	PSA Item #
P60	WR8507342206961	WR8507342006961	-
P80	WR8507342208961	WR8507342008961	WR8507372208961
P100	WR8507342210961	WR8507342010961	WR8507372210961
P120	WR8507342212961	WR8507342012961	WR8507372212961
P150	WR8507342215961	WR8507342015961	WR8507372215961
P180	WR8507342218961	WR8507342018961	WR8507372218961
P220	WR8507342222961	WR8507342022961	WR8507372222961
P240	WR8507342224961	WR8507342024961	-
P280	WR8507342228961	WR8507342028961	WR8507372228961
P320	WR8507342232961	WR8507342032961	-
P400	WR8507342240961	WR8507342040961	-
P500	WR8507342250961	WR8507342050961	-
P600	WR8507342260961	WR8507342060961	-
P800	WR8507342280961	-	-
P1000	WR8507342211961	-	-
P1200	WR8507342213961	-	-

Grit	5" 5 Hole	5" 8 Hole	5" Multi-Hole
	Hook & Loop Item #	Hook & Loop Item #	Hook & Loop Item #
P80	WR8507372008961	WR8507322008961	WR8507362008961
P100	WR8507372010961	WR8507322010961	WR8507362010961
P120	WR8507372012961	WR8507322012961	WR8507362012961
P150	WR8507372015961	WR8507322015961	WR8507362015961
P180	WR8507372018961	WR8507322018961	WR8507362018961
P220	WR8507372022961	WR8507322022961	WR8507362022961
P240	WR8507372024961	WR8507322024961	-
P280	-	WR8507322028961	-
P320	WR8507372032961	WR8507322032961	WR8507362032961
P400	WR8507372040961	WR8507322040961	-
P500	WR8507372050961	-	-
P600	WR8507372060961	WR8507322060961	-



**PAPER BACKED DISCS**



No Hole

**6" A/O Discs, C-Weight Paper Back**

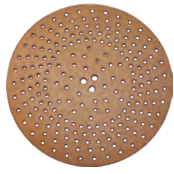


- Aluminum oxide on latex coated C-weight paper
- Latex coated paper increases disc's flexibility and moisture resistance
- Open coat design provides no-load performance
- The right choice for general shop use, fine sanding and heavy stock removal

Packing: PSA discs are flat packed (tabbed) 100 discs per box. Hook and loop discs are flat packed 50 discs per box. Sold by the box.



6 Hole



Multi-hole

Grit	6" No Hole		6" 6 Hole		6" Multi-Hole
	PSA Item #	Hook & Loop Item #	PSA Item #	Hook & Loop Item #	Hook & Loop Item #
P60	WR8507343206961	WR8507343006961	-	-	-
P80	WR8507343208961	WR8507343008961	WR8507333208961	WR8507333008961	WR8507363008961
P100	WR8507343210961	WR8507343010961	-	WR8507333010961	WR8507363010961
P120	WR8507343212961	WR8507343012961	WR8507333212961	WR8507333012961	WR8507363012961
P150	WR8507343215961	WR8507343015961	WR8507333215961	WR8507333015961	WR8507363015961
P180	WR8507343218961	WR8507343018961	WR8507333218961	WR8507333018961	WR8507363018961
P220	WR8507343222961	WR8507343022961	WR8507333222961	WR8507333022961	WR8507363022961
P240	WR8507343224961	WR8507343024961	-	WR8507333024961	WR8507363024961
P280	WR8507343228961	-	-	WR8507333028961	WR8507363028961
P320	WR8507343232961	WR8507343032961	-	WR8507333032961	WR8507363032961
P400	WR8507343240961	WR8507343040961	WR8507333240961	WR8507333040961	WR8507363040961
P500	-	WR8507343050961	-	-	WR8507363050961
P600	WR8507343260961	-	-	WR8507333060961	WR8507363060961
P800	-	-	-	-	WR8507363080961
P1000	-	-	-	WR8507333011961	-



PSA (tabbed)  
version shown

**5" S/C Discs, A-Weight Paper Back**

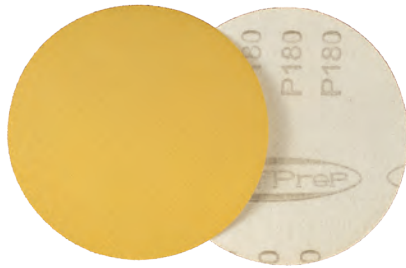


- Premium silicon carbide on latex coated A-weight paper
- Latex coated paper increases disc flexibility and moisture resistance
- Open coat design provides no-load performance
- Designed primarily for lacquer sanding and finely grained wood smoothing
- Perfect for scuff sanding and removing "orange peel" in top coats

Packing: PSA discs are flat packed (tabbed) 100 discs per box. Hook & loop discs are flat packed 50 discs per box. Sold by the box.

Grit	5" No Hole	5" No Hole
	PSA Item #	Hook & Loop Item #
P80	WR8532342208961	WR8532342008961
P100	WR8532342210961	WR8532342010961
P120	WR8532342212961	WR8532342012961
P150	WR8532342215961	WR8532342015961
P180	WR8532342218961	WR8532342018961
P220	WR8532342222961	WR8532342022961
P240	WR8532342224961	-
P280	WR8532342228961	WR8532342028961
P320	WR8532342232961	WR8532342032961
P400	WR8532342240961	-

**A PAPER BACKED DISCS**



**5" A/O Discs, C-Weight Paper Back**



- Blended paper backing provides for enhanced support of grain and edge-wear
- Premium abrasive grain in an open coat construction provides a true, consistent and uniform scratch
- "Load-free" coating provides for a fast rate of cut and longer life

Packing: 100 discs per roll. Sold by the roll.

Grit	5" No Hole Hook/Loop
80	SP5HLLPB080
100	SP5HLLPB100
120	SP5HLLPB120
150	SP5HLLPB150
180	SP5HLLPB180
220	SP5HLLPB220



**5" & 6" A/O Discs, C-Weight Paper Back**



- 3M™ 236U general purpose abrasive disc
- Aluminum oxide on C-weight paper with durable tear resistant backing
- Open coat design prevents loading of abrasive

Packing: 5" are 100 discs per roll. Sold by the roll. 6" are 50 discs per box. Sold by the box.

Grit	5" No Hole	6" Clean Sand
	Stikit™/PSA Item #	Hook/Loop
P80	MA236U-5NH-PSA080	-
P100	MA236U-5NH-PSA100	-
P120	MA236U-5NH-PSA120	MA236U-6CL-HK120
P150	MA236U-5NH-PSA150	MA236U-6CL-HK150
P180	-	MA236U-6CL-HK180
P220	-	MA236U-6CL-HK220

**LOOKING FOR A 3M SANDER?**

See Section V



**5" S/C Discs, A-Weight Paper Back**



- Silicon carbide on A-weight paper
- Unique construction provides excellent finish with load resistant coating

Packing: As shown below. Sold by the roll. 220-320 grit sold in full case of 6 rolls.

Grit	5" No Hole	Qty per Roll
	Stikit™/PSA Item #	
P80	MA426U-5NH-PSA080	125
P100	MA426U-5NH-PSA100	125
P120	MA426U-5NH-PSA120	125
P150	MA426U-5NH-PSA150	175
P180	MA426U-5NH-PSA180	175
P220	MA426U-5NH-PSA220	175
P240	MA426U-5NH-PSA240	175
P280	MA426U-5NH-PSA280	175
P320	MA426U-5NH-PSA320	175

**PAPER BACKED DISCS**



5" 9 Hole



6" Multi-Jetstream

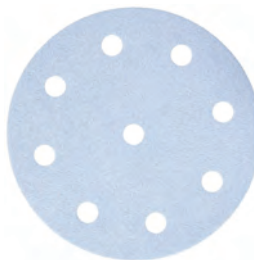
**5" & 6" A/O Discs, Paper Back**

**FESTOOL**

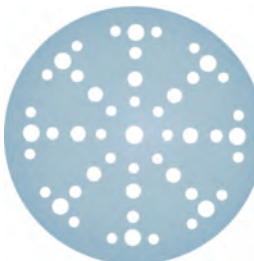
- Rubin was developed for natural wood, wood composites and veneers and has a special coating which sheds wood fibers
- Use on hardwoods like oak or maple, soft woods like pine or fir, tropical woods like ebony or teak, as well as on wood-based products
- Aluminum Oxide, Synthetic Resin, Closed

Sold by the box as noted below.

Grit	5" 9 Hole Disc				6" Multi-Jetstream Disc	
	Mini Pack Item #	Box Qty	Standard Pack Item #	Box Qty	Standard Pack Item #	Box Qty
40	FST499101	10	FST499093	50	FST575186	50
60	FST499102	10	FST499094	50	FST575187	50
80	FST499103	10	FST499095	50	FST575188	50
100	FST499104	10	FST499096	50	FST575189	100
120	FST499105	10	FST499097	50	FST575190	100
150	FST499106	10	FST499098	50	FST575191	100
180	FST499107	10	FST499099	50	FST575192	100
220	FST499108	10	FST499100	50	-	-



5" 9 Hole



6" Multi-Jetstream

**5" & 6" Hardened A/O Discs, Paper Back**

**FESTOOL**

- Granat is Festool's most long-lasting and highest performing abrasive
- Well suited for nearly all applications, including bare wood, paints, most modern paint systems, VOC clear coats, plastic materials, solid surface materials, acrylics, and composites
- Hardened Aluminum Oxide, Synthetic Resin, Closed

Sold by the box as noted below.

Grit	5" 9 Hole Disc				6" Multi-Jetstream Disc	
	Mini Pack Item #	Box Qty	Standard Pack Item #	Box Qty	Standard Pack Item #	Box Qty
40	FST497145	10	FST497165	50	-	-
60	FST497146	10	FST497166	50	FST575161	50
80	FST497147	10	FST497167	50	FST575162	50
100	-	-	FST497168	100	FST575163	100
120	FST497148	10	FST497169	100	FST575164	100
150	-	-	FST497170	100	FST575165	100
180	FST497149	10	FST497171	100	FST575166	100
220	-	-	FST497172	100	FST575167	100
240	-	-	FST497173	100	-	-
280	-	-	FST497174	100	-	-
320	FST497150	10	FST497175	100	FST575170	100
360	-	-	FST497176	100	-	-
400	-	-	FST497177	100	FST575172	100

**LOOKING FOR A FESTOOL SANDER?**  
See Section V

A  
B  
C  
D  
E  
F  
G  
H  
I  
J  
K  
L  
M  
N  
O  
P  
Q  
R  
S  
T  
U  
V  
W  
X  
Y

**A FILM BACKED DISCS**

B  
C  
D  
E  
F  
G  
H  
I  
J  
K  
L  
M  
N  
O  
P  
Q  
R  
S  
T  
U  
V  
W  
X  
Y



No Hole

**5" A/O Discs, Film Back**

- Würth Emerald brand high performance film abrasive discs
- Heat treated aluminum oxide on film, outlasts paper 10 - 1
- Open-coat design provides no-load performance
- 100% waterproof – perfect for wet sanding applications
- Ideal disc for solid surface fabrication



Packing: PSA discs are flat packed (tabbed) 100 per box.

Hook and Loop discs are flat packed 50 discs.

Sold by the box.



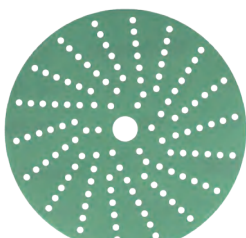
5 Hole

Grit	5" No Hole		5" 5 Hole
	PSA Item #	Hook & Loop Item #	PSA Item #
P60	WR8506342206961	-	-
P80	WR8506342208961	WR8506342008961	WR8506372208961
P100	WR8506342210961	WR8506342010961	WR8506372210961
P120	WR8506342212961	WR8506342012961	WR8506372212961
P150	WR8506342215961	WR8506342015961	WR8506372215961
P180	WR8506342218961	WR8506342018961	WR8506372218961
P220	WR8506342222961	WR8506342022961	WR8506372222961
P240	WR8506342224961	WR8506342024961	WR8506372224961
P280	WR8506342228961	WR8506342028961	-
P320	WR8506342232961	WR8506342032961	WR8506372232961
P400	WR8506342240961	WR8506342040961	-
P500	WR8506342250961	WR8506342050961	-
P600	WR8506342260961	WR8506342060961	-



9 Hole

Grit	5" 5 Hole	5" 9 Hole	5" Multi-Hole
	Hook & Loop Item #	Hook & Loop Item #	Hook & Loop Item #
P80	WR8506372008961	WR8506303008961	WR8506362008961
P100	WR8506372010961	WR8506303010961	WR8506362010961
P120	WR8506372012961	WR8506303012961	WR8506362012961
P150	WR8506372015961	WR8506303015961	WR8506362015961
P180	WR8506372018961	WR8506303018961	WR8506362018961
P220	WR8506372022961	WR8506303022961	WR8506362022961
P240	WR8506372024961	WR8506303024961	WR8506362024961
P280	-	WR8506303028961	WR8506362028961
P320	WR8506372032961	WR8506303032961	WR8506362032961
P400	WR8506372040961	WR8506303040961	WR8506362040961
P500	-	WR8506303050961	WR8506362050961



Multi-hole

## FILM BACKED DISCS

### 6" A/O Discs, Film Back

Packing: PSA discs are 100 discs per box flat packed (tabbed)

Hook and Loop discs are flat packed 50 discs per box.

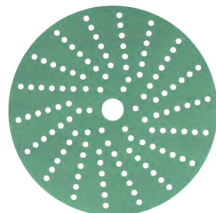
Sold by the box.



No Hole



9 Hole



Multi-hole



Grit	6" No Hole		6" 6 Hole	
	PSA Item #	Hook & Loop Item #	PSA Item #	Hook & Loop Item #
P80	WR8506343208961	WR8506343008961	WR8506333208961	WR8506333008961
P100	WR8506343210961	WR8506343010961	-	WR8506333010961
P120	WR8506343212961	WR8506343012961	WR8506333212961	WR8506333012961
P150	WR8506343215961	WR8506343015961	WR8506333215961	WR8506333015961
P180	WR8506343218961	WR8506343018961	-	WR8506333018961
P220	WR8506343222961	WR8506343022961	WR8506333222961	WR8506333022961
P240	WR8506343224961	WR8506343024961	-	WR8506333024961
P280	WR8506343228961	WR8506343028961	-	WR8506333028961
P320	WR8506343232961	WR8506343032961	WR8506333232961	WR8506333032961
P400	WR8506343240961	WR8506343040961	-	WR8506333040961
P500	WR8506343250961	WR8506343050961	-	-
P600	WR8506343260961	WR8506343060961	-	WR8506333060961
P800	WR8506343280961	WR8506343080961	-	-

Grit	6" 9 Hole	6" Multi-Hole
	Hook & Loop Item #	Hook & Loop Item #
P80	WR8506304008961	WR8506363008961
P100	WR8506304010961	WR8506363010961
P120	WR8506304012961	WR8506363012961
P150	WR8506304015961	WR8506363015961
P180	WR8506304018961	WR8506363018961
P220	WR8506304022961	WR8506363022961
P240	WR8506304024961	WR8506363024961
P280	WR8506304028961	WR8506363028961
P320	WR8506304032961	WR8506363032961
P400	WR8506304040961	WR8506363040961
P500	WR8506304050961	WR8506363050961
P600	-	WR8506363060961

### 11" A/O Discs, Film Back

- For use with large sanders; ideal for solid surface applications
- Heat treated aluminum oxide on film, outlasts paper 10 - 1 on wood
- Open-coat design provides no-load performance
- 100% waterproof - perfect for wet sanding applications

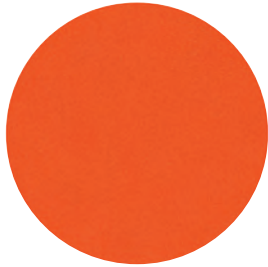
Packing: 20 discs per box. Sold by the box.



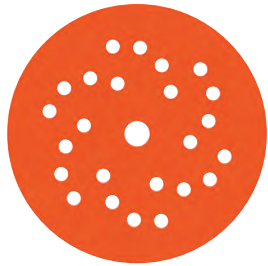
Grit	11" Hook/Loop Item #	Grit	11" Hook/Loop Item #
P80	WR8506345008961	P220	WR8506345022961
P100	WR8506345010961	P240	WR8506345024961
P120	WR8506345012961	P280	WR8506345028961
P150	WR8506345015961	P320	WR8506345032961
P180	WR8506345018961	P400	WR8506345040961

**A FILM BACKED DISCS**

**B**  
**C**  
**D**  
**E**  
**F**  
**G**  
**H**  
**I**  
**J**  
**K**  
**L**  
**M**  
**N**  
**O**  
**P**  
**Q**  
**R**  
**S**  
**T**  
**U**  
**V**  
**W**  
**X**  
**Y**



**Dynacut™ Extreme Orange™,  
A/O Film-Back Discs**



- Dynacut™ Extreme Orange clog free premium film is the best choice for the toughest sanding applications
- Features a premium P-graded aluminum oxide abrasive for fast cutting and up to 4X the life of paper discs
- Coated on an extremely smooth, tough and tear resistant, high performance 3mil film backing for generating the finest finishes
- Proprietary clog free coating is pigment free and “build-up” resistant to further extends product life
- New Extreme vacuum hole pattern directs sanding dust to center extraction holes where vacuum draw is greatest
- Sold in full box quantities only
- 50 per pack. Sold by the pack

**Hook & Loop Discs: 3”**

Grits	Non-Vacuum	Vacuum
P80	DB79815	DB79852
P100	DB79816	DB79853
P120	DB79817	DB79854
P150	DB79818	DB79855
P180	DB79819	DB79856
P220	DB79820	DB79857
P320	DB79821	DB79858
P400	DB79851	DB79859

**PSA Discs: 5”**

Grits	Non-Vacuum	Vacuum
40	DB79782	—
60	DB91526	—
80	DB91527	—
100	DB91528	—
120	DB91529	—
150	DB91530	—
180	DB91531	—
220	DB91532	—
320	DB91533	—
400	DB91534	—
600	DB91600	—
800	DB91601	—
1000	DB91602	—
1200	DB91603	—
1500	DB91604	—

**Hook & Loop Discs: 5”**

Grits	Non-Vacuum	Vacuum
40	DB79786	DB79791
60	DB91544	DB91535
80	DB91545	DB91536
100	DB91546	DB91537
120	DB91547	DB91538
150	DB91548	DB91539
180	DB91549	DB91540
220	DB91550	DB91541
320	DB91551	DB91542
400	DB91552	DB91543
600	DB91615	DB91605
800	DB91616	DB91606
1000	DB91617	DB91607
1200	DB91618	DB91608
1500	DB91619	DB91609

**FILM BACKED DISCS**



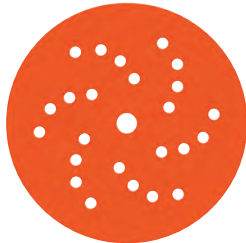
- 6" discs are 50 per pack; all others are 25 per pack. Sold by the pack

**PSA Discs: 6"**

Grits	Non-Vacuum	Vacuum
40	DB79784	—
60	DB91553	—
80	DB91554	—
100	DB91555	—
120	DB91556	—
150	DB91557	—
180	DB91558	—
220	DB91559	—
320	DB91560	—
400	DB91561	—
600	DB91584	—
800	DB91585	—
1000	DB91586	—
1200	DB91587	—
1500	DB91588	—

**Hook & Loop Discs: 6"**

Grits	Non-Vacuum	Vacuum
40	DB79796	DB79801
60	DB91571	DB91562
80	DB91572	DB91563
100	DB91573	DB91564
120	DB91574	DB91565
150	DB91575	DB91566
180	DB91576	DB91567
220	DB91577	DB91568
320	DB91578	DB91569
400	DB91579	DB91570
600	DB91620	DB91610
800	DB91621	DB91611
1000	DB91622	DB91612
1200	DB91623	DB91613
1500	DB91624	DB91614



**Hook & Loop Discs: 8"**

Grits	Vacuum / 8 holes
40	DB79684
60	DB79685
80	DB79686
120	DB79687
150	DB79688
180	DB79689
220	DB79690
320	DB79691
400	DB79692
600	DB79693

**Hook & Loop Discs: 11-1/4"**

Grits	Non-Vacuum
40	DB79694
60	DB79695
80	DB79696
120	DB79697
180	DB79698
220	DB79699

**Dynacut™ Extreme Orange Scalloped A/O Film-Back Discs**



- Features a premium P-graded aluminum oxide abrasive for fast cutting and up to 4X the life of paper discs
- 50 per pack. Sold by the pack

**Hook & Loop Discs: 5"**

Grits	Non-Vacuum	Grits	Non-Vacuum
80	DB79880	180	DB79884
100	DB79881	220	DB79885
120	DB79882	320	DB79887
150	DB79883	400	DB79888

**A FILM BACKED DISCS**



**5" A/O Discs, Film Back**



- Premium aluminum oxide on strong and flexible tear resistant film
- Special Fre-cut™ coating resists loading

Packing: Sold by the roll or box as noted below.

Grit	No Hole			Box Qty
	5" Stikit™/PSA Item #	Roll Qty	5" Hookit™/ Hook&Loop Item #	
P80	MA255L-5NH-PSA080	100	MA255L-5NH-HK080	75
P100	MA255L-5NH-PSA100	125	MA255L-5NH-HK100	100
P120	MA255L-5NH-PSA120	125	MA255L-5NH-HK120	100
P150	MA255L-5NH-PSA150	125	MA255L-5NH-HK150	100
P180	MA255L-5NH-PSA180	125	MA255L-5NH-HK180	100
P220	MAGS220P5	125	MA255L-5NH-HK220	100



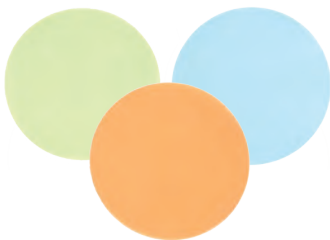
**5" Cubitron™ 11" Discs, Film Back**



- The Cubitron™ II Sanding Disc is a revolutionary advancement in abrasive technology featuring triangular shaped ceramic mineral
- These discs are ideal for a broad range of applications, focused primarily on stock removal
- Effective on a wide variety of substrates, including composites, gelcoat, and whitewood

Packing: As shown below. Sold by the roll.

Grit	5" No Hole Stikit™/PSA Item #	Roll Qty
80+	MA775L-5NH-PSA080	125
120+	MA775L-5NH-PSA120	100
150+	MA775L-5NH-PSA150	100
180+	MA775L-5NH-PSA180	100



**5" & 11-1/4" Trizact™ Discs, Film Back**



- Pyramids wear away, continually exposing fresh abrasive which ensures a consistent cut and extended disc life up to 10x longer than regular sandpaper
- Use when high gloss level is required
- Use wet to achieve desired finishes

Sold in: Full roll/box quantities shown below.

Grit/Color	Stikit™/PSA		Hookit™/Hook&Loop			
	5" No Hole	Roll Qty	5" No Hole	Box Qty	11-1/4" No Hole	Box Qty
A35/Green	MA268XA-5NH-PSAA35	100	MA268XA-5NH-HKA35	50	GEMS102	1
A10/Blue	MA268X-5NH-PSAA10	100	MA268XA-5NH-HKA10	50	GEMS101	1
A5/Orange	MA268XA-5NH-PSAA5	100	MA268XA-5NH-HKA5	50	GEMS100	1
None/White	-	-	-	-	GEMS103	1



**FILM/CLOTH BACKED DISCS**



**5", 6" & 11-1/4" Micron Discs, Film Back**

- Excellent for solid surface finishing
  - Premium micron graded mineral on high strength polyester film
  - 5", 6" & 8" are 50 discs per box
- 11-1/4" discs available individually.



PSA Discs - 5" and 6"		
Micron	5" No Hole	6" No Hole
15	MA268L-5NH-PSA15M	-
30	MA268L-5NH-PSA30M	MA268L-6NH-PSA30M
40	-	-
60	MA268L-5NH-PSA60M	MA268L-6NH-PSA60M
80	MA268L-5NH-PSA80M	-
100	MA268L-5NH-PSA100M	-
120	-	-

Hookit™/Hook & Loop Discs - 5"		
Micron	5" No Hole w/Fre-Cut™	5" 5 Hole
15	-	MA268L-55H-HK015
30	MA366L-5NH-HK30M	MA268L-55H-HK030
60	MA366L-5NH-HK60M	MA268L-55H-HK060
80	-	MA268L-55H-HK080
100	MA366L-5NH-HK100M	MA268L-55H-HK100

Hookit™/Hook & Loop Discs - 11-1/4" No Hole			
Micron	Item #	Micron	Item #
30	GEMS104D	100	GEMS104
40	GEMS104E	120	GEMS104G
60	GEMS104A	150	GEMS104H
80	GEMS104B	180	GEMS104C

A  
B  
C  
D  
E  
F  
G  
H  
I  
J  
K  
L  
M  
N  
O  
P  
Q  
R  
S  
T  
U  
V  
W  
X  
Y



**5" Ceramic Discs, J-Weight Cloth Back**

- Ceramic on strong and flexible tear-resistant J-weight cloth
  - Anti-static and open coat design prevents loading of abrasive
- Packing: 50 discs per box. Sold in: Full box quantities only.



5" No Hole PSA			
Grit	Item #	Grit	Item #
P80	MA900DZ-5NH-PSA080	P150	MA900DZ-5NH-PSA150
P100	MA900DZ-5NH-PSA100	P180	MA900DZ-5NH-PSA180
P120	MA900DZ-5NH-PSA120	-	-

**A CLOTH BACKED DISCS**

B  
C  
D  
E  
F  
G  
H  
I  
J  
K  
L  
M  
N  
O  
P  
Q  
R  
S  
T  
U  
V  
W  
X  
Y



**5" A/O Discs, J-Weight Cloth Back**



- Open coat is excellent for softwoods, hardwoods, and metal and helps prevent loading of abrasive
  - Tear resistant polyester/cotton cloth backing for use in applications where paper backings are not durable enough
  - Flexible J-weight backing to conform to all types of backup pads
- Packing: 50 discs per box (flat packed, tabbed). Sold by the box.

5" No Hole PSA			
Grit	Item #	Grit	Item #
80	WR8532340080961	150	WR8532340150961
100	WR8532340100961	180	WR8532340180961
120	WR8532340120961	220	WR8532340220961



**5" A/O Discs, J-Weight Cloth Back**



- Aluminum oxide mineral on a J-weight backing
  - Anti-static coating
  - Designed for durability when flexibility and edge-wear is critical
- Packing: 50 discs per box. Sold by the box.

5" No Hole PSA			
Grit	Item #	Grit	Item #
100	MA202DZ-5NH-PSA100	180	MA202DZ-5NH-PSA180
120	MA202DZ-5NH-PSA120	220	MA202DZ-5NH-PSA220
150	MA202DZ-5NH-PSA150		



**5" A/O Discs, F-Weight Cloth Back**



- Excellent adaptability
  - Low clogging tendency
  - Sturdy yet flexible cotton backing
- Packing: 100 discs per box. Sold by the box.

5" No Hole PSA	
Grit	Item #
80	VSM3083705
100	VSM3080386
120	VSM3080387
150	VSM3080388
180	VSM3080389
220	VSM3084874

## NON-WOVEN DISCS



### S/C Non-Woven Discs and Pads



- These discs & pads have a very high mineral content silicon carbide and maintain the flexibility to sand almost any surface desired
  - Consistent cutting action requires little pressure
- Sold in any quantity of discs.

Grit	3" Item #	Box Qty	5" Item #	Box Qty	6" Item #	Box Qty	11" Item #	Box Qty
Maroon	SPMFD3	40	SPMFD5	25	SPMFD6	25	SPMFD11	10
Grey	SPGFD3	40	SPGFD5	25	SPGFD6	25	SPGFD11	10
White	-	40	SPWD5	25	-	25	-	10



### A/O Scotch-Brite™ Discs



- 3M™ Scotch-Brite™ is designed for consistent cut and long life
  - Abrasive mineral on non-woven material
  - Resists loading and reduces heat buildup, increasing life and improving performance
  - Ideal for solid surface and wood finishing, paint preparation and general clean-up
- Sold in any quantity of discs.

Color	5" Disc Hookit™/Hook & Loop Item #	6" Disc Hookit™/Hook & Loop Item #	11-1/4" Disc Item #
Maroon	MS29292-5VF	MS29293-6VF	GEMS105A
Light Gray	MS29294-5UF	MS29295-6UF	GEM106AA
White	-	-	GEM106W



### Finesse-It™



- 3M™ Finesse-It™ is designed to achieve a high gloss on solid surface materials
- Easy clean-up formulation greatly reduces and removes any haze caused by sanding
- Removes sanding scratches or swirl marks

Item #	Size
MASS81235	1 Quart

**A FOAM DISCS**



**6" Foam Backed Discs**



- Open coat aluminum oxide
- Even surface pressure provides a better finish without deep scratch
- Good for wet, contour and curved sanding

Packing: 10 discs per box.

Sold by the box.

6" Hook/Loop	
Grit	Item #
360	WRFOAM6360
500	WRFOAM6500
1000	WRFOAM61000
2000	WRFOAM62000
3000	WRFOAM63000

**Solid Surface Finishing Steps (For NET abrasives, see page Q-15)**

Steps	Description	Matte Finish	Semi-Gloss Finish	High-Gloss Finish
1	Premium Net 180 Grit	WRNET6180G	WRNET6180G	WRNET6180G
2	Premium Net 320 Grit	WRNET6320G	WRNET6320G	WRNET6320G
3	Würth Foam 360 Grit	WRFOAM6360	WRFOAM6360	WRFOAM6360
4	Würth Foam 500 Grit	-	WRFOAM6500	WRFOAM6500
5	Würth Foam 1000 Grit	-	-	WRFOAM61000
6	Würth Foam 3000 Grit	-	-	WRFOAM63000
<b>Finish</b>		<b>Gloss 15</b>	<b>Gloss 40</b>	<b>Gloss 75</b>



**6" Foam Backed Discs**



- Low scratch depth (excellent finish)
- 100% waterproof, washable
- Consistent finish throughout life of disc
- Exceptional when sanding contoured surfaces, corners and sharp edges
- Ideal for solid surface and lacquer finishing. Reduces buffing time

Packing: 10 discs per box. Sold by the box.

6" Hook/Loop			
Grit	Item #	Grit	Item #
240	WR58734302496110	1000	WR58734310096110
360	WR58734303696110	1500	WR58734315096110
500	WR58734305096110	2000	WR58734320096110
600	WR58734306096110	3000	WR58734330096110
800	WR58734308096110	4000	WR58734340096110

## FOAM/NET DISCS

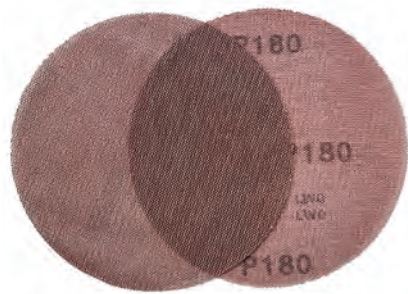


### 3", 5", 6" Foam Discs



- Premium abrasive grains and flexible adhesives are coated directly onto the surface of the foam
  - This unique method of coating, in addition to the use of solvent-free adhesives, is a contributing reason for the elimination of heat buildup at the point of contact
  - Extends the life as much as 10x and more over conventional sandpaper
- Packing: 25 discs per box. Sold in any quantity of discs.

Grit/Scratch	Type	5" x 5mm Disc Item #	6" x 5mm Disc Item #
80 / 150-180	Med +	SPDF55R080	-
100 / 220-240	Fine	SPDF55R100	-
150 / 320-380	Very Fine	SPDF55R150	SPDF65R150
180 / 450-500	Super Fine	SPDF55R180	-
220 / 600-700	Super Fine +	SPDF55R220	SPDF65R220



### 5" & 6" A/O Net Discs



- Aluminum Oxide Closed Coat
- Dust-free sanding allows clean and healthy work environment
- Full-surface dust extraction, combined with special abrasive coating method, prevents clogging
- Tear resistant due to sturdy net backing

Packing: 11-/14" discs are 25 per box; all others are 50 per box.  
Sold by the box.

Grit	3" Discs	5" Discs	6" Discs	8" Discs	11-1/4" Discs
80	DB91700	WRNET5080G	WRNET6080G	DB91736	DB91748
100	DB91701	WRNET5100G	WRNET6100G	DB91737	DB91749
120	DB91702	WRNET5120G	WRNET6120G	DB91738	DB91750
150	DB91703	WRNET5150G	WRNET6150G	DB91739	DB91751
180	DB91704	WRNET5180G	WRNET6180G	DB91740	DB91752
220	DB91705	WRNET5220G	WRNET6220G	DB91741	DB91753
240	DB91706	WRNET5240G	WRNET6240G	DB91742	DB91754
280	-	-	-	DB91743	DB91755
320	DB91708	WRNET5320G	WRNET6320G	DB91744	DB91756
400	DB91709	WRNET5400G	WRNET6400G	DB91745	DB91757
500	DB91710	-	-	DB91746	DB91758
600	DB91711	WRNET5600G	WRNET6600G	DB91747	DB91759

**A DYNAFINE® ABRASIVES**



**Dynafine® Dynacut™ A/O Triangle Detail Sheets**



- Aluminum Oxide clog free paper for fast cut and long life
- 50 per pack. Sold by the each in full pack quantities

**PSA**

Grits	Non-Vacuum	Vacuum
80	DB93983	DB93639
120	DB93984	DB93640
150	DB93985	DB93641
180	DB93986	DB93642
220	DB93987	DB93643
320	DB93988	DB93644
400	DB93989	-

**Hook & Loop**

Grits	Non-Vacuum	Vacuum
80	DB93913	DB93652
120	DB93914	DB93653
150	DB93915	DB93654
180	DB93916	DB93655
220	DB93927	DB93656
320	DB93928	DB93657
400	DB93929	-
600	DB93938	-



**Dynafine® Dynacut™ A/O Tear Drop Detail Sheets**



- Aluminum Oxide clog free paper for fast cut and long life
- 50 per pack. Sold by the each in full pack quantities

**PSA**

Grits	Non-Vacuum	Vacuum
80	DB93993	DB93690
120	DB93994	DB93691
150	DB93995	DB93692
180	DB93996	-
220	DB93998	DB93694
320	DB93999	DB93695
400	DB94000	DB93697

**Hook & Loop**

Grits	Non-Vacuum	Vacuum
80	DB93953	DB93678
120	DB93954	DB93679
150	DB93955	DB93680
180	DB93956	DB93681
220	DB93957	DB93698
320	DB93958	DB93699
400	DB93959	DB93701



**Dynafine® Dynacut™ A/O PSA Strips**



- Aluminum Oxide clog free paper for sanding and defuzzing in tight areas
- 20 per pack. Sold by the pack

Dimensions (Width x Length)	Grits	Non-Vacuum
3/4" x 2"	120	DB93943
	180	DB93944
	240	DB93945
3/8" x 2"	120	DB93940
	180	DB93941
	240	DB93942
3-1/2" x 2-3/4"	120	DB93130
	180	DB93131
	240	DB93132

## DYNAFINE® ABRASIVES AND SANDING STARS

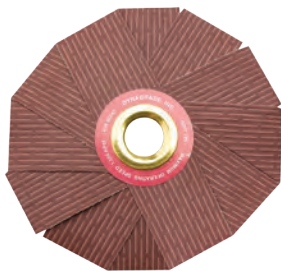


### Dynafine® Dynacut™ A/O Raised Panel Detail Strips

- Ideal for fine sanding
- 50 per pack. Sold by the each in full pack quantities



Dimensions Width x Length	Grits	Non-Vacuum
7/8" x 4-1/2"	80	DB93663
	100	DB93664
	120	DB93670
	150	DB93671
	180	DB93672
	220	DB93673
	320	DB93677



### Dynacut™ A/O Sanding Stars

- Sanding stars are utilized for denibbing and sanding on whitewood raised panels, plus blending and scuffing sealer coatings on flat or contoured surfaces
- Sold in any quantity



Dimensions Width x Length	Grits	Non-Vacuum
8" x 1/2"	80	DB93243
	120	DB93245
	150	DB93246
	180	DB93247
	220	DB93248
	320	DB93251
	400	DB93252



### Dynacut™ A/O Spindle Mount Sanding Stars

- 4" diameter, spindle-mount sanding stars are conveniently mounted using a 1/4" collet or drill chuck and come in a preassembled shape for use on a variety of Dynabrade finishing tools
- Sold in any quantity



Dimensions Width x Length	Grits	Non-Vacuum
4" x 1/4"	80	DB93166
	120	DB93167
	150	DB93168
	180	DB93169
	220	DB93171
	320	DB93172
	400	DB93173

**A BACKUP PADS**

B  
C  
D  
E  
F  
G  
H  
I  
J  
K  
L  
M  
N  
O  
P  
Q  
R  
S  
T  
U  
V  
W  
X  
Y



**Würth Backup Pads**



Item #	Diameter	Holes	Face	Thickness	Density
<b>5" No Hole</b>					
WR8521125110961	5"	No Hole	Hook/Loop	3/8"	Medium
WR8521125010961	5"	No Hole	PSA	3/8"	Medium
<b>5" 5 Hole</b>					
WR8521125116961	5"	5 Hole	Hook/Loop	3/8"	Medium
WR8521125020961	5"	5 Hole	PSA	3/8"	Medium
<b>5" Multi-Hole</b>					
WR8521125117961	5"	Multi-Hole	Hook/Loop	3/8"	Medium
<b>6" No Hole</b>					
WR8521150110961	6"	No Hole	Hook/Loop	3/8"	Medium
WW8521150010961	6"	No Hole	PSA	3/8"	Medium
<b>6" Multi-Hole</b>					
WR8521120117961	6"	Multi-Hole	Hook/Loop	3/8"	Medium



**Dynabrade Backup Pads**



**Vinyl-Face (PSA)**

Dia.	Item #	Vacuum Type	Holes	Nap	Thickness	Density
5"	DB56106	Non-Vacuum	-	-	3/8"	Medium
6"	DB56105	Vacuum	6	-		
6"	DB56107	Non-Vacuum	-	-		
8"	DB56234	Non-Vacuum	-	-		



**Hook-Face**

Dia.	Item #	Vacuum Type	Pad Thread	Holes	Nap	Thickness	Density
3"	DB54262	Vacuum	1/4"-20 Male	6	Short	5/8"	Medium
5"	DB54325	Non-Vacuum	5/16"-24 Male	-		1/2"	
5"	DB56320	Vacuum		44			
5"	DB54334	Vacuum		Multi			
6"	DB54327	Non-Vacuum		-			
6"	DB54339	Vacuum		Multi			
6"	DB56321	Vacuum		52			
8"	DB56236	Non-Vacuum	Screw Mount	-		3/8"	
8"	DB56237	Vacuum		8			
8"	DB56322	Vacuum		Multi			

**FOR DYNABRADE SANDERS**  
See Section V



**BACKUP PADS**

**Dynabrade Backup Pads**



**Long Nap For Surface Conditioning Discs**

Diameter	Item #	Vacuum Type	Face	Nap	Thickness
5"	DB50605	Non-Vacuum	Hook	Long	1/2"
6"	DB50606	Non-Vacuum	Hook		



**Radius Edge**

Diameter	Item #	Face	Radius Edge	Nap	Thickness
5"	DB57792	Hook	3/8"	Short	5/8"
5"	DB57795	Hook		Medium	5/8"

**Dynabrade Gear-Driven Backup Pads**



**Non-Vacuum/Vacuum Pads**

Diameter	Item #	Vacuum Type	Face	Max. RPM	Thickness	Screws
8"	DB56234	Non-Vacuum	Vinyl	10,000	1/2"	5
8"	DB56237	Vacuum	Hook	10,000		
8"	DB56236	Non-Vacuum	Hook	10,000	3/8"	



Diameter	Item #	Face	Holes	Nap	Thickness
11"	DB56231	Hook	–	Short	1/2"
	DB53997	Hook	15		

**Dynabug® II Sanding Pads**



Diameter	Item #	Face	Nap	Screws	Thickness	Density
3" x 4"	DB56352	Hook	Short	4	3/8"	Medium

A  
B  
C  
D  
E  
F  
G  
H  
I  
J  
K  
L  
M  
N  
O  
P  
Q  
R  
S  
T  
U  
V  
W  
X  
Y

**A BACKUP PADS**

B  
C  
D  
E  
F  
G  
H  
I  
J  
K  
L  
M  
N  
O  
P  
Q  
R  
S  
T  
U  
V  
W  
X  
Y



MA05775

**3M Backup Pads**



Item #	Dia.	Holes	Face	Thickness	Density
<b>No Hole</b>					
MA05775	5"	No Hole	Hook/Loop	3/4"	Medium
MA05776	6"	No Hole	Hook/Loop	3/4"	Medium
MA05545	5"	No Hole	PSA	11/16"	Soft, Low Profile
MA05575	5"	No Hole	PSA	3/4"	Medium
MA20351	5"	No Hole	PSA	3/8"	Firm
MA05546	6"	No Hole	PSA	11/16"	Soft, Low Profile
<b>Clean Sanding</b>					
MA20353	5"	44 Hole Clean Sand	Hook/Loop	3/8"	Firm



**SurfPrep Backup Pads**



Item #	Diameter	Holes	Face
<b>3" No Hole</b>			
SPBP3HL	3"	No Hole	Hook/Loop
<b>5" No Hole</b>			
SPBP5HL	5"	No Hole	Hook/Loop
SPBP5HLSFE	5"	No Hole	Hook/Loop, Flex Edge
SPBP5VPSA	5"	No Hole	PSA
<b>5" 5 Hole</b>			
SPBP5HL-VAC	5"	5 Hole	Hook/Loop
SPBP5PSA-VAC	5"	5 Hole	PSA
<b>6" No Hole</b>			
SPBP6HL	6"	No Hole	Hook/Loop
SPBP6HLSFE	6"	No Hole	Hook/Loop, Flex Edge
<b>6" 6 Hole</b>			
SPBP6HL-VAC	6"	6 Hole	Hook/Loop
<b>3" x 4" With or Without Holes</b>			
SPBP3X4	3" x 4"	No Hole	Hook/Loop
SPBP3X4J	3" x 4"	No Hole	Hook/Loop, J Hook
SPBP3X4-VAC	3" x 4"	4 Hole	Hook/Loop
<b>3-2/3" x 7" With or Without Holes</b>			
SPBP3X7	3-2/3" x 7"	No Hole	Hook/Loop
SPBP3X7-VAC	3-2/3" x 7"	7 Hole	Hook/Loop

**FOR SURFPREP SANDERS**  
See Section V

**BACKUP PADS**



FST492282

**Festool Backup Pads**

**FESTOOL**

**For Festool Sanders**  
See Section V

Item #	Diameter	Holes	Face	Sander	Color	Density
<b>5" For RO 125 FEQ Sanders</b>						
FST492125	5"	9 Hole	Hook/Loop	RO 125 FEQ	Black	Soft
FST492127	5"	9 Hole	Hook/Loop	RO 125 FEQ	Blue	Hard
<b>5" For ES 125 EQ Sanders</b>						
FST492280	5"	9 Hole	Hook/Loop	ES 125 EQ	Black	Soft
FST492282	5"	9 Hole	Hook/Loop	ES 125 EQ	Grey	Super Soft
<b>5" For ETS EC 125 Sanders</b>						
FST492286	5"	9 Hole	Hook/Loop	ETS EC 125	Black	Soft
FST492288	5"	9 Hole	Hook/Loop	ETS EC 125	Grey	Super Soft
FST492284	5"	9 Hole	Hook/Loop	ETS EC 125	Blue	Hard
<b>6" For ETS 150 Sanders</b>						
FST202458	6"	Multi-Jetstream	Hook/Loop	ETS 150	Black	Soft
FST202459	6"	Multi-Jetstream	Hook/Loop	ETS 150	Grey	Ultra Soft
FST202460	6"	Multi-Jetstream	Hook/Loop	ETS 150	Blue	Hard
<b>6" For RO 150 FEQ Sanders</b>						
FST202461	6"	Multi-Jetstream	Hook/Loop	RO 150 FEQ	Black	Soft
FST202462	6"	Multi-Jetstream	Hook/Loop	RO 150 FEQ	Grey	Ultra Soft
FST202463	6"	Multi-Jetstream	Hook/Loop	RO 150 FEQ	Blue	Hard



**Porter Cable Backup Pads**

**PORTER CABLE**

Item #	Size	Holes	Face	Thickness	Density	For Use With
PCB13700	5"	No Hole	PSA	3/4"	Medium	7334, 7335
PCB13900	5"	No Hole	PSA	3/4"	Medium	332
PCB13901	5"	5 Hole	PSA	3/4"	Medium	333, 334

A  
B  
C  
D  
E  
F  
G  
H  
I  
J  
K  
L  
M  
N  
O  
P  
Q  
R  
S  
T  
U  
V  
W  
X  
Y

**A BACKUP PADS & ACCESSORIES**

B  
C  
D  
E  
F  
G  
H  
I  
J  
K  
L  
M  
N  
O  
P  
Q  
R  
S  
T  
U  
V  
W  
X  
Y



Vacuum



Non-Vacuum

**Dynafine® Triangle Shape Pads**



Pad Dimensions	Item #	Vacuum Type	Thickness	Holes	Attachment	Nap	Density	Screws
2-7/8" x 3-1/8"	DB57950	Non-Vacuum	3/8"	0	PSA	-	Medium	2
	DB57951				Hook-Face	Short		2
	DB57955					Long		3
	DB58046	Vacuum	3/8"	6	PSA	-	Soft	2



Non-Vacuum



Vacuum

**Dynafine® Tear Drop Shape Pads**



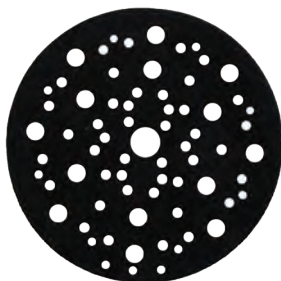
Pad Dimensions	Item #	Vacuum Type	Thickness	Holes	Attachment	Nap	Density	Screws
2-3/4" x 2-3/8"	DB57952	Non-Vacuum	3/8"	0	PSA	-	Medium	4
	DB57953				Hook-Face	Short		2
	DB57954					Long		3
	DB58045	Vacuum	3/8"	6	PSA	-	Medium	2
	DB58048				Hook-Face	Short		2



**Dynafine® Raised Panel Shape Pad**



Pad Dimensions Width x Length	Item #	Vacuum Type	Thickness	Attachment	Nap	Density	Screws
3/4" x 4"	DB57956	Non-Vacuum	3/8"	Hook-Face	Short	Soft	2



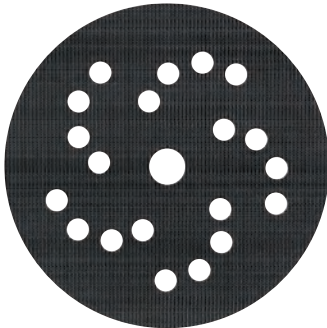
**SurfPrep Pad Savers**



- Pad savers are designed to protect the backup pad from wear and tear
- Placed between the backup pad and the abrasive, these savers should be changed regularly when showing signs of wear
- Multi-hole pad savers work with any hole pattern backup pad and abrasive

Item #	Size
SPPS3	3"
SPPS3X4	3" x 4"
SPPS3X7	3-2/3" x 7"
SPPS5	5"
SPPS6	6"

**BACKUP PADS & ACCESSORIES**



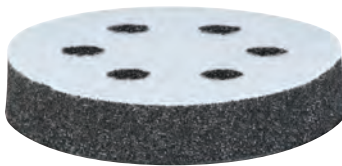
DB53871

**Dynabrade Pad Savers**



- Pad savers are designed to be a protective interface between the hook face back-up pad and the abrasives
- Instead of wearing out the back-up pad prematurely, the pad savers extend the life of the pad and “hooks” and can be replaced more frequently at a lower cost
- Highly recommended for use with all hook and loop abrasives, especially mesh or net style

Item #	Size
DB53870	3"
DB53871	5"
DB53872	6"
DB53873	8"
DB53874	3" x 4"



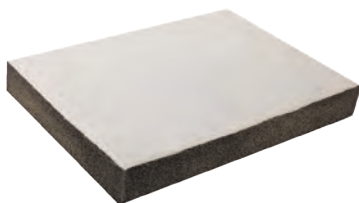
**Dynafoam Interface Pads**  
**Conformability For Curved Surfaces**



- Attaches between sanding pad and Hook-Face abrasive
- Soft foam increases conformability allowing operator to easily follow contours
- Converts standard pad into a fine finishing and finessing pad
- Interface pad easily contours to most surfaces

Item #	Dia. meter Inches (mm)	Vacuum Type	Holes
DB53974	3"	Non-Vacuum	–
DB79850	5"	Vacuum	Multi
DB53965	6"	Vacuum	Multi
DB53982	8"	Vacuum	8
DB53998	11"	Vacuum	Donut Style Hole

Item #	Shape	
DB53970	Tear Drop	
DB53972	Triangle	

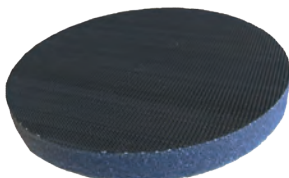


SPIP3X4

**SurfPrep Interface Pads**



- Increase the flexibility of a sanding disc, handy when working on curved, complex, or delicate surfaces
- Evenly distribute pressure and machine action
- Increased user comfort from foam cushioning that can absorb high speed vibrations and side to side lateral movements that are created by the machine



5" and 6" No Hole Interface Pads

Item #	Size	Description
SPIP3X4	3" x 4"	Soft Interface Pad, No Hole
SPIP3X4F7MM	3" x 4"	Firm Interface Pad, No Hole, 7mm
SPIP3X4F15MM	3" x 4"	Firm Interface Pad, No Hole, 15mm
SPIP3X4F20MM	3" x 4"	Firm Interface Pad, No Hole, 20mm
SPIP5	5"	Soft Interface Pad, No Hole, 5"
SPSPIP6-6	6"	Soft Interface Pad, 6 Hole, 6"

A  
B  
C  
D  
E  
F  
G  
H  
I  
J  
K  
L  
M  
N  
O  
P  
Q  
R  
S  
T  
U  
V  
W  
X  
Y

**A FILM BACK AND FOAM SHEETS**

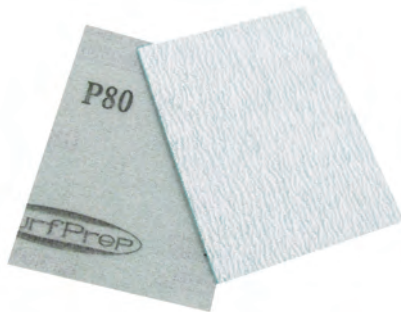
**B Dynabug II Extreme Orange™ Film Back Sheets**



- Premium FEPA grade Aluminum Oxide Abrasive with a fast cut rate and consistent finishes
- Precision 3 mil polyester film with extreme durability and resistance to wear
- High performance resin bond system with maximum abrasive adhesion and longest life
- Proprietary clog-free coating reduces loading of soft materials like paint, coatings, nonferrous metals, and soft woods
- 100 per pack. Sold by the pack

Grits	3" x 4" Hook & Loop Item #
80	DB84860
100	DB84861
120	DB84862
150	DB84863
180	DB84864
220	DB84865
320	DB84866
400	DB84867

**K 3" x 4" & 3-2/3" x 7" Sheets, Film Back**



- SurfPrep's modified open-coat aluminum oxide grain with sacrificial stearate coating minimizes loading
  - Film backing provides for consistent finish sanding and faster rate of cut
- Packing: 100 sheets per box.  
Sold by the box.

No Hole		
Grit	3" x 4" Item #	3-2/3" x 7" Item #
80	SP80100080	-
100	SP80100100	-
120	SP80100120	SP3X7HLF120
150	SP80100150	SP3X7HLF150
180	SP80100180	SP3X7HLF180
220	SP80100220	SP3X7HLF220
320	SP80100320	SP3X7HLF320
400	SP80100400	-

**S Dynabug II Extreme Orange™ Foam Sheets**



- Premium FEPA grade Aluminum Oxide abrasive with fast cut rate and consistent finishes
- Flexible polyurethane foam backing that generates finer finishes and up to 10X life
- High performance flexible resin bond system that reduces heat build up and extends product life
- 24 per pack. Sold by the each in full pack quantities

Grits	3" x 4" x 5 mm Hook & Loop Item #
Coarse	DB84850
Medium	DB84851
Fine	DB84852
Very Fine	DB84853
Extra Fine	DB84854
Super Fine	DB84855
Ultra Fine	DB84856

**FOAM PADS**



1/2" Foam Abrasive

**Foam Abrasives, 3" x 4" & 3-2/3" x 7"**



- Manufactured with premium abrasive grains and flexible adhesives that are coated directly onto the surface of the foam
- Unique method of coating, in addition to the use of solvent-free adhesives, is a contributing reason for the elimination of heat buildup at the point of contact and extends the life of SurfPrep foam abrasives as much as 10x and more over conventional sandpaper
- Sold in full box quantities as shown below

\*Also available in bulk of 200 (add "B" to the end of item number)

3" x 4"							
Grit/Scratch	Type	5mm Pad	Box Qty	5mm Pad, 4 Hole	Box Qty	10mm Pad	Box Qty
36 / 60	Coarse	SPRF5R036	25		-	SPRF10R036	25
60 / 120-150	Med	SPRF5R060	25	SPRF5R060-4	25	SPRF10R060	-
80 / 150-180	Med +	SPRF5R080*	25	SPRF5R080-4	25	-	25
100 / 220-240	Fine	SPRF5R100	25	SPRF5R100-4	25	SPRF10R100	25
150 / 320-380	Very Fine	SPRF5R150	25	SPRF5R150-4	25	SPRF10R150	25
180 / 450-500	Super Fine	SPRF5R180	25	-	-	SPRF10R180	25
220 / 600-700	Super Fine +	SPRF5R220	25	-	-	-	-

3" x 4"					
Grit/Scratch	Type	10mm Pad, 4 Hole	Box Qty	1/2" Pad	Box Qty
36 / 60	Coarse	-	-	SPRFHR036	25
60 / 120-150	Med	-	-	SPRFHR060	25
80 / 150-180	Med +	-	-	SPRFHR080	25
100 / 220-240	Fine	SPRF10R100-4	25	SPRFHR100	25
150 / 320-380	Very Fine	SPRF10R150-4	25	SPRFHR150	25
180 / 450-500	Super Fine	-	-	SPRFHR180	25
220 / 600-700	Super Fine +	-	-	SPRFHR220	25

3-2/3" x 7"							
Grit/Scratch	Type	5mm Pad	Box Qty	10mm Pad	Box Qty	1/2" Pad	Box Qty
36 / 60	Coarse	SPRF75R036	25	-	10	-	10
46 / 80 - 100	Coarse +	-	-	SPRF710R046	10	-	-
60 / 120-150	Med	SPRF75R060	25	SPRF710R060	10	SPRF7HR060	10
80 / 150-180	Med +	SPRF75R080	25	-	-	SPRF7HR080	10
100 / 220-240	Fine	SPRF75R100	25	SPRF710R100	10	SPRF7HR100	10
150 / 320-380	Very Fine	SPRF75R150	25	SPRF710R150	10	SPRF7HR150	10
220 / 600-700	Super Fine +	SPRF75R220	25	-	-	SPRF7HR220	10

**A ABRASIVE SHEETS**



**9" x 11" A/O Sheets, C-Weight Paper Back**



- Latex coated C-weight paper – open coat
  - Excellent flexibility and moisture resistance paper with no-load performance
  - Perfect choice for universal and fine sanding as well as heavy stock removal
- Packing: 50 sheets per sleeve. Sold by the sleeve.

Grit	Item #	Grit	Item #
P80	WR8507144108961	P240	WR8507144124961
P100	WR8507144110961	P280	WR8507144128961
P120	WR8507144112961	P320	WR8507144132961
P150	WR8507144115961	P400	WR8507144140961
P180	WR8507144118961	P500	WR8507144150961
P220	WR8507144122961	P600	WR8507144160961



**9" x 11" A/O Sheets, A-Weight Paper Back**



- A-weight light paper backing is suitable for hand sanding and finishing applications
  - Open coat construction provides a more aggressive cut and minimizes dust clogging on the abrasive for increased productivity
  - Load-resistant coating helps prevent premature loading of the sheet surface to maximize cut and extend the life of the abrasive grains
- Packing: 50 sheets per box. Sold by the box.

Grit	Item #	Grit	Item #
P120	MA216U-9X11-120	P220	MA216U-9X11-220
P150	MA216U-9X11-150	P320	MA216U-9X11-320
P180	MA216U-9X11-180		



**9" x 11" S/C Sheets, A-Weight Paper Back**



- Latex coated A-weight paper – open coat
  - Excellent flexibility and water resistance paper with no-load performance
  - Designed primarily for lacquer sanding and finely grained wood smoothing
  - Perfect for scuff sanding and removing "orange peel"
  - Silicon carbide sanding sheets are the finishing room's choice for peak performance and versatility
- Packing: 50 sheets per sleeve. Sold by the sleeve.

Grit	Item #	Grit	Item #
P80	WR8532144108961	P220	WR8532144122961
P100	WR8532144110961	P240	WR8532144124961
P120	WR8532144112961	P280	WR8532144128961
P150	WR8532144115961	P320	WR8532144132961
P180	WR8532144118961	P400	WR8532144140961



**ABRASIVE SHEETS**



**9" x 11" S/C Sheets,  
B/C - Weight Paper Back**

- Silicon carbide on A-weight paper
- Ideal for dry sanding between coats of varnish and other wood finishes
- Excellent conformability for contour sanding
- Special Fre-cut™ coating resists loading

Packing: 100 sheets per box.

Sold by the sheet in full box quantities.

Grit	Item #
220	MA426U-9X1 1-220
280	MA426U-9X1 1-280
320	MA426U-9X1 1-320



A  
B  
C  
D  
E  
F  
G  
H  
I  
J  
K  
L  
M  
N  
O  
P  
Q  
R  
S  
T  
U  
V  
W  
X  
Y



**9" x 11" A/O Sheets,  
J-Weight Cloth Back**

- Aluminum oxide on J-weight cloth
- Used where a flexible, strong cloth backing is preferred over paper

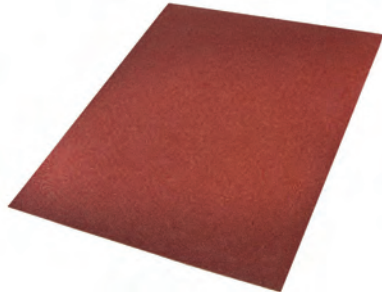
Packing: 50 sheets per box.

Sold by the sheet in full box quantities.

Grit	Item #
P120	MA314D-9X1 1-120



**A ABRASIVE SHEETS & NON-WOVEN PADS**



**9" x 11" A/O Sheets, F-Weight Cloth Back**

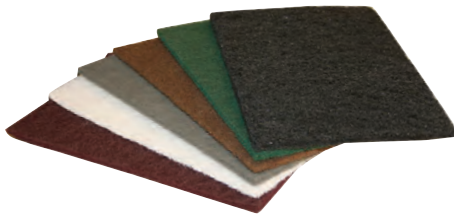


- Excellent adaptability
- Low clogging tendency
- Sturdy yet flexible cotton backing

Packing: 50 sheets per box. Sold by the sheet in full box quantities.

Grit	Item #
80	VSM2079555
100	VSM2079556
120	VSM2079764
150	VSM2079765
180	VSM2084430
220	VSM2081896

B  
C  
D  
E  
F  
G  
H  
I  
J  
K  
L  
M  
N  
O  
P  
Q  
R  
S  
T  
U  
V  
W  
X  
Y



**Würth Hand Pads**



- High performance abrasive nylon pads
- Made of 100% nylon webbing
- Washable for repeated use
- 10 per pack. Sold by the pack

Grit	Item #	Color	Application	Size
Non-Abrasive	WR0585450000961	White	Non-Abrasive Pad	6" x 9"
320	WR0585450280961	Maroon	Fine sanding between the final coat of paint/lacquer	6" x 9"
600	WR0585450600961	Gray	Tool cleaning, light oxidation and rust removal	6" x 9"



**Scotch-Brite™ Hand Pads**



- 3M™ Scotch-Brite™ Hand Pads for a variety of applications
- Box quantities as shown below. Sold by the box

Item #	Color	Grade	Application	Size	Box Qty
MA64659	Maroon	A VFN	Durable Flex	4.5" x 9"	25
MA64660	Gray	S ULF	Durable Flex	4.5" x 9"	25
MS7447	Maroon	A VFN	General Purpose	6" x 9"	20
MS7445	White	F SFN	Light Duty	6" x 9"	20
MS6448	Dark Gray	S ULF	Light Duty	6" x 9"	20
MS7448	Gray	S ULF	Ultra Fine	6" x 9"	20

## SANDING SPONGES

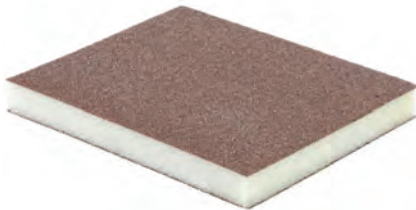


### 1, 2, & 4 Sided Block & Contour Sponges



- Perfect for scuff sanding and sealer sanding
- Flexible, non-loading aluminum oxide abrasive sponges
- Box quantities as shown below. Sold by the box

	4-Sided Block Sponge (10 per Box)	2-Sided Contour Sponge (10 per Box)	1-Sided Sponge (20 per Box)
<b>Grit</b>	<b>3-7/8" L x 2-3/4" W</b> Item #	<b>3-7/8" L x 4-3/4" W</b> Item #	<b>4-1/2" L x 5-1/2" W</b> Item #
Medium	WR587010006961	WR58701100696110	WR58702000696120
Fine	WR587010010961	WR58701101096110	WR58702001096120
Super Fine	WR587010018961	WR58701101896110	WR58702001896120
Very Fine	-	-	WR58702002296120
Micro Fine	-	-	WR58702002896120



### 2 Sided Sanding Sponges



- Eco-friendly brown A/O soft hand pad
- Innovative adhesive that allows it to stay sharper and last longer other pads
- Sold in any quantity

	2-Sided Contour Sponge		2-Sided Contour Sponge
<b>Grit</b>	<b>4-3/4" L x 3-3/4" W x 1/2" H</b>	<b>Grit</b>	<b>4-3/4" L x 3-3/4" W x 1/2" H</b>
100	SPP100AO	180	SPP180AO
150	SPP150AO	220	SPP220AO



4-Sided Block Sponge

### 1 and 4 Sided Sanding Sponges



- Ideal for dry or wet sanding of wood, paint, metal, plastic and drywall
- Can be used wet or dry and rinsed and reused
- Sold in any quantity

	4-Sided Block Sponge	1-Sided Contour Sponge
<b>Grit</b>	<b>3-3/4" L x 2-5/8" W x 1" H</b>	<b>5-1/2" L x 4-1/2" W x 3/16" H</b>
Medium	MASS06967	MASS06966
Fine	MASS06968	MASS06965
Fine, Single Retail Pack	MASS00409	-
Super Plus	-	MASS06964

**A SANDING SPONGES/PADS**



Cut out in box makes it easy to tell when you need to re-order.

**4-1/2" W Flexible One-Sided Foam Sponge**



- Würth "Gold" brand high performance foam backed sanding sponges.
- Aluminum oxide on flexible sponge backing – open coat
- Excellent flexibility for irregular surfaces with "no load" performance
- Roll packaging in heavy duty cardboard package keeps sponges clean and dust free, ready to use
- Cut out in box makes it easy to tell when it is time to re-order
- Perforated sections make for easy tear-off
- Ideal for scuff sanding in your finishing room
- Each sponge measures 4-1/2"W x 4-7/8" L

Packing: One 25 yard roll per box.

Sold by the box.

Grit	Item #	Grit	Item #
P100	WR8507442110961	P280	WR8507442128961
P120	WR8507442112961	P320	WR8507442132961
P150	WR8507442115961	P400	WR8507442140961
P180	WR8507442118961	P500	WR8507442150961
P220	WR8507442122961	P600	WR8507442160961
P240	WR8507442124961		



**Foam Hand Pads, Flexible**



- Premium White A/O Grain
- Color coded for easy identification
- Specially coated to minimize loading
- Able to be used wet or dry
- 5-1/2" x 4-1/2" x 5mm
- Sold in any quantity

Item #	Color	Grit
SPFP-F	Blue	Fine
SPFP-M	Grey	Medium
SPFP-SF	Yellow	Super Fine
SPFP-VF	Red	Very Fine
SPFP-VARIETY	Variety Pack	5 of each grit

**HAND SANDING ACCESSORIES**



**Scotch-Brite™ Multi-Flex Sheet Rolls**



- A tough, highly conformable abrasive designed for cleaning and finishing fine surfaces by hand
- Quick, economical and scrunchable, they can be folded, stacked or rolled for a fine finish
- Always-at-hand dispenser packaging
- Tough, highly conformable and sharp cutting

Item #	Color	Grade	Roll Size
MA07521	Maroon	A VFN	8" x 20' (60 - 4" x 8" sheets)

A  
B  
C  
D  
E  
F  
G  
H  
I  
J  
K  
L  
M  
N  
O  
P  
Q  
R  
S  
T  
U  
V  
W  
X  
Y

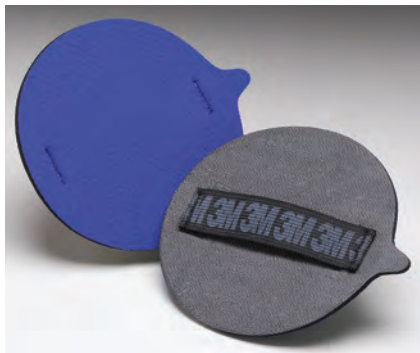


**Fast Break Sander**



- Uniformly break the edge in sharp melamine, edgebanding, plywood, and hardwood materials in just one pass
- Fastbreak XL is designed for sanding entry doors and larger panel stock
- Extra sandpaper is stored inside and is easily accessed through removable end caps

Item #	Description	Sands Sizes	Box Qty
FCFB	Sander	1/4" - 1"	1
FCFBXL	Sander	3/4" - 2-3/8"	1
FCFB80	Sandpaper, 80 Grit	-	10
FCFB180	Sandpaper, 180 Grit	-	10



**5" Diameter Stikit™/PSA Hand Pad**



- 3M™ Stikit™ disc hand pads create a unique method for hand sanding of wood and metal
- Neoprene rubber with a nylon blue cloth face and an elastic hand band on the back

Item #	Diameter x Thickness
MA45188	5 Dia. x 1/8" Thick
MA45189	5 Dia. x 1/4" Thick

A  
B  
C  
D  
E  
F  
G  
H  
I  
J  
K  
L  
M  
N  
O  
P  
Q  
R  
S  
T  
U  
V  
W  
X  
Y

**SANDING ROLLS**



**A/O Rolls on A-Weight Paper**



- 3M™ 216U designed for final hand or machine sanding with Stikit™ backing
- Aluminum oxide on A weight paper
- Aggressive paper product designed for sanding of white wood, sealer and primer
- Special Fre-cut™ coating and open coat design prevent loading of abrasive
- 6 rolls per case. Sold in full case quantities

Grit	Item #	Roll Length
<b>4-1/2" Wide</b>		
P120	MA216U120A-4-1/2	20 Yd
P150	MA216U150A-4-1/2	25 Yd
P220	MA216U220A-4-1/2	25 Yd
P320	MA216U320A-4-1/2	25 Yd



**S/C Rolls on A-Weight Paper**



- 3M™ 426U general purpose finishing rolls with Stikit™ backing
- Excellent conformability for contour sanding
- Special Fre-cut™ coating resists loading
- Ideal for dry sanding between coats of varnish and other wood finishes
- Roll length as noted below. Sold by the roll

Grit	2-1/2" Wide Item #	Roll Length	4-1/2" Wide Item #	Roll Length
80	-	-	MA426U-4.5X10-080	10 yd
100	MA426U-2.5X55-100	55"	MA426U-4.5X10-100	10 yd
120	-	-	MA426U-4.5X10-120	10 yd
150	MA426U-2.5X80-150	80"	MA426U-4.5X10-150	10 yd
180	-	-	MA426U-4.5X10-180	10 yd
220	MA426U-2.5X95-220	95"	MA426U-4.5X10-220	10 yd
240	-	-	-	10 yd
280	-	-	-	10 yd
320	-	-	MA426U-4.5X10-320	10 yd

## SANDING BELT CLEANERS



### Pitch & Resin Remover Eco-Friendly, Water-Based



- VOC-free and Phosphate-free
- Concentrated (general cleaning dilution ratio 1:10) or ready to use cleaning formula dissolves and emulsifies pitch resin, oil, grease film, gum and varnish from abrasive belts, blades and bits
- Simply spray, wet abrasive area thoroughly, and then rinse clean with water and hang to dry

Item #	Type
WR0893011201	Ready to Use, 1 Quart
WR0893011135	Concentrate, 1 Gallon

Visit us on our website: [wurthlac.com](http://wurthlac.com)




Shopping Cart  
\$0.00

Shop By Category

Home

**LEAVE THE DUST  
BEHIND WITH  
3M XTRACT™  
ABRASIVES!**



**GOVERNMENT**  
We are a SAM Approved  
U.S. Government Vendor

**CATALOGS  
& LITERATURE**  
Digital versions to download

**MACHINERY**  
Explore our full line of  
woodworking machinery

A  
B  
C  
D  
E  
F  
G  
H  
I  
J  
K  
L  
M  
N  
O  
P  
Q  
R  
S  
T  
U  
V  
W  
X  
Y

**A PORTABLE BELTS**

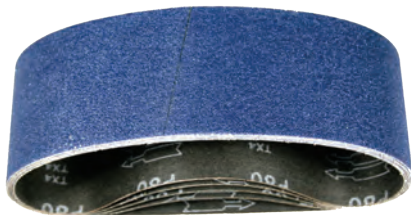


**X-Weight Cloth Portable Belts, A/O**



- Premium heat-treated aluminum oxide on X-weight cloth, open coat
  - Belts are “uni-directional” and have precision built joints to eliminate any chance of uneven sanding.
  - Perfect for heavy duty and all around shop use
- Packing: 10 belts per box. Sold by the box.

Grit	3" x 21" Item #	3" x 24" Item #	4" x 24" Item #
P40	WR675040533961	WR675043610961	WR675040610961
P50	WR675050533961	WR675053610961	WR675050610961
P60	WR675060533961	WR675063610961	WR675060610961
P80	WR675080533961	WR675083610961	WR675080610961
P100	WR675100533961	WR675103610961	WR675100610961
P120	WR675120533961	WR674123610961	WR675120610961
P150	WR675150533961	WR675153610961	WR675150610961



**X-Weight Cloth Portable Belts, Ceramic & A/O Blend**



- Combination ceramic and aluminum oxide blended on heavy X-weight cloth for an exceptionally long lasting material that delivers a fast cut
  - Ideal for low-pressure touch-to-grind applications
  - Grain structure provides for the continuous renewal of the most consistent and uniform cutting edges
  - The advanced technology of the ceramic grain enhances cut rates for faster and cooler stock removal on tough applications
  - Great for sanding water-based finishes
  - Used for bare wood, coating removal, and between-coat sanding
  - For dry sanding applications only
- Packing: 5 belts per box. Sold by the box.

Grit	3" x 21" Item #	3" x 24" Item #	4" x 24" Item #
40	WR675032104961	WR675032404961	WR675042404961
50	WR675032105961	WR675032405961	WR675042405961
60	WR675032106961	WR675032406961	WR675042406961
80	WR675032108961	WR675032408961	WR675042408961
100	WR675032110961	WR675032410961	WR675042410961
120	WR675032112961	WR675032412961	WR675042412961
150	WR675032115961	WR675032415961	WR675042415961



**PORTABLE BELTS**



**Y-Weight Cloth Portable Belts,  
Ceramic & A/O Blend**



- Ceramic and premium aluminum oxide blended on Y-weight cloth
- High quality splice allows for the belt to be run bi-directional unlike other portable belts that use a lap or butt slice

Packing: 5 belts per box.

Sold in: Full box quantities only.

Grit	3" x 24" Item #
P50	MA761D-3X24-050
P60	MA761D-3X24-060
P80	MA761D-3X24-080
P150	MA761D-3X24-150

A  
B  
C  
D  
E  
F  
G  
H  
I  
J  
K  
L  
M  
N  
O  
P  
Q  
R  
S  
T  
U  
V  
W  
X  
Y



**2-1/2" x 14" On Cloth, A/O**



- Aluminum oxide on cloth
- Designed specifically for Porter Cable Compact Belt Sander 371K

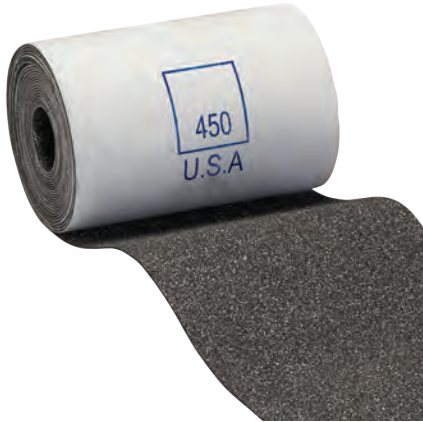
Packing: 5 belts per box.

Sold by the box.

Grit	Item #
60	PCB712400605
80	PCB712400805
100	PCB712401005
120	PCB708371504

**A GRAPHITE ROLLS & EDGE BELTS**

B  
C  
D  
E  
F  
G  
H  
I  
J  
K  
L  
M  
N  
O  
P  
Q  
R  
S  
T  
U  
V  
W  
X  
Y



**Graphite Coated Canvas**

**Series 303:**

- Rugged grade has been specifically engineered for use on wide belt sanding machines
- Particularly suited for finishing and polishing operations where a fine surface finish is required

**Series 450:**

- Outstanding performance, durability and versatility in panel sanding operations
- Specifically developed to address the concerns of prolonged life, high temperature and high pressure

Packaging: Both items 10 yards per roll, sold by the yard.



Item #	Width
PE303-4.5	4-1/2"
PE303-6	6"
PE303-9	9"
PE450-6	6"



**X-Weight Cloth Edge Belts, A/O**

- Premium heat-treated aluminum oxide on X-weighted heavy duty cloth for maximum wear and ruggedness
  - Zero tolerance lap joint means no bumping or marking
  - Patented anti-static design ensures low dust adhesion on belt, machinery and work area
- Packing: 5 belts per box. Available any quantity.

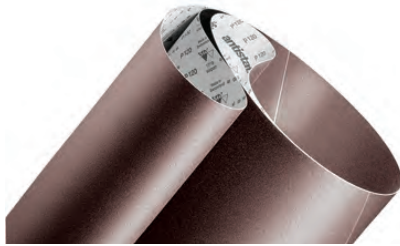


Custom size edge belts available. Please contact your Sales Representative for more information.

Grit	4" x 132" Item #	6" x 80" Item #	6" x 89" Item #
P80	WR0583381335961	WR013305970080	WR0583380226961
P100	WR0583311335961	WR0675980114961	WR0583310226961
P120	WR0583313335961	WR0675980115961	WR0583312226961
P150	WR102132200150	-	WR0675915896961

Grit	6" x 108" Item #	6" x 132" Item #
P80	WR0675980108961	WR0675980132961
P100	WR0675910108961	WR0675910132961
P120	WR0675912108961	WR0675912132961
P150	WR0675915108961	WR0675915132961

**WIDE BELTS, PAPER BACKED**



**“Zero Tolerance”  
seam means  
NO “CHATTER”**

Custom size edge belts available.  
Please contact your Sales  
Representative for more information.

Packing: 5 belts per box. Available  
any quantity, unless\*, those are sold  
in full box only.

**F-Weight Paper Wide Belts, A/O**



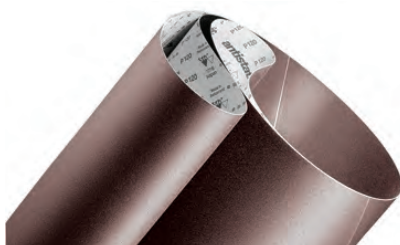
- Premium heat-treated aluminum oxide on F-weighted latex impregnated paper for maximum wear, flexibility and moisture resistance
- Zero tolerance lap joint means no bumping or marking
- Patented anti-static design ensures low dust adhesion on belt, machinery and work area

Grit	37" W X 60" L Item #	37" W X 75" L Item #	43" W X 75" L Item #
P100	WR5839101539615	WR5839101909615	WR5839101919615
P120	WR5839121539615	WR5839121909615	WR5839121919615
P150	WR5839151539615	WR5839151909615	WR5839151919615
P180	WR5839181539615	WR5839181909615	WR5839181919615
P220	-	-	WR5839201919615

Grit	43" W X 85" L Item #	43" W X 103" L Item #	44" W X 85" L Item #
P120	WR5839122159615	WR5839122649615	-
P150	WR5839152159615	WR5839152649615	WR5839152169615
P180	WR5839182159615	WR5839182649615	WR5839182169615
P220	WR5839202159615	WR5839202649615	WR5839202169615

Grit	52" W X 75" L Item #	52" W X 103" L Item #	53" W X 85" L Item #
P100	-	WR5839102659615	WR5839102179615
P120	-	WR5839122659615	WR5839122179615
P150	WR5839151939615*	WR5839152659615	WR5839152179615*
P180	WR5839181939615*	WR5839182659615	WR5839182179615*
P220	WR5839201939615*	WR5839202659615	-

Grit	53" W x 103" L Item #	54" W X 103" L Item #
P100	WR5839102669615*	WR5839102679615
P120	WR5839122669615*	WR5839122679615
P150	WR5839152669615*	WR5839152679615
P180	WR5839182669615*	WR5839182679615
P220	WR5839202669615	WR5839202679615



**“Zero Tolerance”  
seam means  
NO “CHATTER”**

**F-Weight Paper Wide Belts, S/C**



- Würth brand premium silicon carbide on F-weight latex coated paper
  - Excellent flexibility and moisture resistance paper with no-load performance
  - Zero tolerance lap joint means no bumping or marking
  - Patented anti-static design ensures low dust adhesion on belt, machinery and work area
- Packing: 5 belts per box. Available any quantity.

Custom size edge belts available. Please contact your  
Sales Representative for more information.

Grit	37"W x 60"L Item #	37"W x 75"L Item #
220	WR5839201539615	WR5839201909615

**A WIDE BELTS, CLOTH BACKED**

B  
C  
D  
E  
F  
G  
H  
I  
J  
K  
L  
M  
N  
O  
P  
Q  
R  
S  
T  
U  
V  
W  
X  
Y



**X-Weight Cloth Wide Belts, A/O**



- Aluminum oxide on X-weight cloth
- Excellent abrasive belt for all-around everyday use
- Open coat design prevents loading of abrasive

Packing: As shown below. Available any quantity.

Grit	37" W x 60" L Item #	Box Qty
P60	MA340D-37X60-060	3
P80	MA340D-37X60-080	3
P100	MA340D-37X60-100	5
P120	MA340D-37X60-120	5



**Y-Weight Cloth Wide Belts, Ceramic**

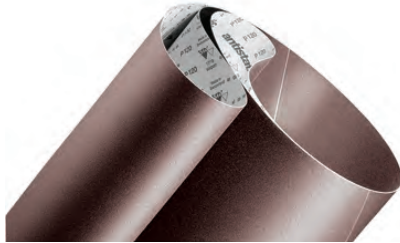


- Designed for extremely long life and uniform finish
- Ceramic on Y-weight cloth
- Reduces burning when performing "end grain" sanding applications
- Open coat design prevents loading of abrasive

Packing: As shown below. Sold in full boxes only.

Grit	37" W x 60" L Item #	Box Qty
P80	MA970DZ-37X60-080	3
P120	MA970DZ-37X60-120	5
P150	MA970DZ-37X60-150	5

**WIDE BELTS, CLOTH BACKED**



**X-Weight Cloth Wide Belts, A/O**

- Premium heat-treated aluminum oxide on X-weighted heavy duty cloth for maximum wear
- Zero tolerance lap joint means no bumping or marking
- Patented anti-static design ensures low dust adhesion on belt, machinery and work area
- State-of-the art high performance and open coat design aluminum oxide wide belts

**“Zero Tolerance”  
seam means  
no “chatter”**

Custom size edge belts available.  
Please contact your Sales  
Representative for more information.

Packing: 5 belts per box. Available  
any quantity, unless\*, those are sold  
in full box only.

Grit	25" W X 60" L Item #	36" W X 75" L Item #	37" W X 60" L Item #
P36	-		WR105293710036
P60	-		WR105293710060
P80	WR6759801529615	WR984390380080	WR6759801539615
P100	WR6759101529615	WR984390380100	WR6759101539615
P120	WR6759121529615	WR6752121909615	WR6759121539615
P150	WR6759151529615	WR971820240150	WR6759151539615
P180	WR6759181529615	WR6752181909615	WR6759181539615
P220	-	-	-

Grit	37" W X 75" L Item #	43" W X 60" L Item #	43" W X 75" L Item #
P36	-	-	WR72454568003601
P60	WR92709609006001	-	WR72454568006001
P80	WR6759801909615	WR6759801549615	WR6759801919615
P100	WR6759101909615	WR6759101549615	WR6759101919615
P120	WR6759121909615	WR6759121549615	WR6759121919615
P150	WR6759151909615	WR6759151549615	WR6759151919615
P180	WR6759181909615	WR6759181549615	WR6759181919615
P220	WR22477436022001	-	-

Grit	43" W X 85" L Item #	43" W X 103" L Item #	44" W X 85" L Item #
P80	WR6759802159615	WR6759802649615	WR6759802169615
P100	WR6759102159615	WR6759102649615	-
P120	WR6759122159615	WR6759122649615	WR6759122169615
P150	WR6759152159615	WR6759152649615	WR6759152169615
P180	WR6759182159615	WR6759182649615	WR6759182169615

Grit	52" W X 75" L Item #	52" W X 103" L Item #	53" W X 85" L Item #	54" W X 103" L Item #
P60	-	WR6759602659615	-	-
P80	WR6759801939615	WR6759802659615	WR6759802179615*	WR6759802679615*
P100	WR6759101939615	WR6759102659615	WR6759102179615*	WR6759102679615
P120	WR6759121939615	WR6759122659615	WR6759122179615*	WR6759122679615
P150	WR6759151939615	WR6759152659615	WR6759152179615*	WR6759152679615
P180	WR6759181939615	WR6759182659615	WR6759182179615*	-

A  
B  
C  
D  
E  
F  
G  
H  
I  
J  
K  
L  
M  
N  
O  
P  
Q  
R  
S  
T  
U  
V  
W  
X  
Y

A  
B  
C  
D  
E  
F  
G  
H  
I  
J  
K  
L  
M  
N  
O  
P  
Q  
R  
S  
T  
U  
V  
W  
X  
Y

# TRYING TO ENHANCE THE PRODUCTIVITY OF YOUR SHOP?

Take a look at Würth Louis and Company's selection of new, used, or reconditioned machinery. To help with your manufacturing needs, Würth Louis and Company carries brands like SCM Group, Ritter Mfg., SawStop, and others. Standard machinery is available on our website, or if you have your eye on something with specific options, request a quote today!

[www.wurthmachinery.com](http://www.wurthmachinery.com)



Just a few of the top name brands we sell!



**GANNOMAT**

**STRIEBIG**

**KAESER  
COMPRESSORS**

**DOUCET**

**TigerStop**  
fast and accurate...every time



**SECTION R - TABLE OF CONTENTS**

**Section R Contents:**

Solvents ..... 2-7

Wood Glues ..... 8-14

Melamine & Dowel Glues ..... 15-16

Cold Press Adhesives ..... 17-19

Polyurethane Glue &  
Instant Adhesives ..... 20-21

Glue Bottles & Applicators ..... 22

Hot Melt Glues ..... 23-24

Flammable Bulk Contact Adhesives... 25-29

Non-Flammable Bulk  
Contact Adhesives ..... 30-31

Flammable & Non-Flammable Canister  
Adhesives ..... 32-37

Solvents / Cleaners / Reducers ..... 38

Aerosol Contact Adhesives ..... 39-42

Edgebanding Adhesives ..... 43-49

Construction Adhesives ..... 50-51

Caulks / Sealants / Glaze Coats ..... 52-54

Touch-Up Sticks ..... 55

Wood Fillers & Bondo® ..... 55-59

Laminate Repairers ..... 60



A  
B  
C  
D  
E  
F  
G  
H  
I  
J  
K  
L  
M  
N  
O  
P  
Q  
R  
S  
T  
U  
V  
W  
X  
Y



NOTE: Some of the items in this section are not available in all markets. Please contact your Würth Louis and Company representative for more information.

**A SOLVENTS**

**Mid-Temp Thinner**
**Features:**

- Thinner with a medium evaporation rate
- Suitable for mixing in certain paints and stains
- More aggressive than standard thinners

**Applications:**

- Wood/furniture finishing and refinishing

Item #	Description
WRMIDTEMP-05	5 Gal Mid-Temp Thinner
WRMIDTEMP-55	55 Gal Mid-Temp Thinner


**Lacquer Thinner (Medium Dry)**
**Features:**

- Slower evaporation rate than standard thinner
- Increases dry time in paints and lacquers
- Eliminates lacquer "blushing"

**Applications:**

- Useful in high heat applications where slower drying is required
- Perfect for cleaning spray equipment

Item #	Description
WRMEDIUMDRY-01	1 Gal Medium Dry Lacquer Thinner
WRMEDIUMDRY-05	5 Gal Medium Dry Lacquer Thinner
WRMEDIUMDRY-55	55 Gal Medium Dry Lacquer Thinner


**Contact Cement Thinner**
**Features:**

- Reduces the viscosity of contact cement

**Applications:**

- Ideal product for cleaning spray equipment after use
- Removes overspray and dried adhesive
- Excellent solvent for cleaning brushes, wood, metal, and glass

Item #	Description
WRCEMENTHIN-01	1 Gal Contact Cement Thinner
WRCEMENTHIN-05	5 Gal Contact Cement Thinner
WRCEMENTHIN-55	55 Gal Contact Cement Thinner





**SOLVENTS**



**Acetone**



**Features:**

- Mixes easily with water and has a very fast evaporation rate
- Thins the viscosity of lacquer solutions
- VOC exempt

**Applications:**

- Reduces the viscosity of lacquers and two part epoxies
- Thins oil-based paints and polyester resins
- Tool cleaner

Item #	Description
WRACETONE-01	1 Gal Acetone
WRACETONE-05	5 Gal Acetone
WRACETONE-55	55 Gal Acetone



**Denatured Alcohol**



**Features:**

- Less aggressive cleaning solution when surface integrity is in question

**Applications:**

- Used to clean and thin shellac
- Removes dried latex paint and ink
- Used to wipe down wood surfaces to remove moisture before finishing
- Highly effective as a solvent and cleaning agent

Item #	Description
WRDENALCOHOL-01	1 Gal Denatured Alcohol
WRDENALCOHOL-05	5 Gal Denatured Alcohol
WRDENALCOHOL-55	55 Gal Denatured Alcohol



**Isopropyl Alcohol**



**Features:**

- Fast evaporation rate
- Easily dissolvable in a wide range of chemical compounds
- Less aggressive cleaning solution when surface integrity is in question

**Applications:**

- Used to clean and thin shellac
- Used to wipe down wood surfaces to remove moisture before finishing
- Highly effective as a solvent and cleaning agent

Item #	Description
WRISOALCOHOL-01	1 Gal Isopropyl Alcohol
WRISOALCOHOL-05	5 Gal Isopropyl Alcohol
WRISOALCOHOL-55	55 Gal Isopropyl Alcohol

A  
B  
C  
D  
E  
F  
G  
H  
I  
J  
K  
L  
M  
N  
O  
P  
Q  
R  
S  
T  
U  
V  
W  
X  
Y

**A SOLVENTS**

B  
C  
D  
E  
F  
G  
H  
I  
J  
K  
L  
M  
N  
O  
P  
Q  
R  
S  
T  
U  
V  
W  
X  
Y



**Mineral Spirits**



**Features:**

- Solvent-based oil paint thinner and cleaner
- Slow rate of evaporation
- Low odor

**Applications:**

- Dissolves wax, oil, and greasy grime from wood and metal surfaces
- Reduces dry time of oil-based glazes and paints
- Great for cleaning brushes and rollers

Item #	Description
WRMINSPIRITS-01	1 Gal Mineral Spirits
WRMINSPIRITS-05	5 Gal Mineral Spirits
WRMINSPIRITS-55	55 Gal Mineral Spirits



**Methyl Ethyl Ketone**



**Features:**

- Slower rate of evaporation than acetone

**Applications:**

- Removes contact cement, ink, adhesives, and heavy grease/grime
- Reduces coatings and resins in fiberglass repair

Item #	Description
WRMEK-01	1 Gal Methyl Ethyl Ketone
WRMEK-05	5 Gal Methyl Ethyl Ketone
WRMEK-55	55 Gal Methyl Ethyl Ketone



**Naphtha**



**Features:**

- Stronger than mineral spirits with a faster rate of evaporation

**Applications:**

- Perfect cleaner for metal surfaces and tools
- Great for cleaning brushes
- Can be used to thin Spar Varnish, epoxies, and oil-based paints

Item #	Description
WRNAPHTHA-01	1 Gal Naphtha
WRNAPHTHA-05	5 Gal Naphtha
WRNAPHTHA-55	55 Gal Naphtha

**SOLVENTS**



**N-Butyl Acetate**



**Features:**

- Acts as cleaning solvent

**Applications:**

- Used for thinning urethane coatings
- For use on paint, coatings, and a variety of industrial applications

Item #	Description
WRNBA-05	5 Gal N-Butyl Acetate
WRNBA-55	55 Gal N-Butyl Acetate

A  
B  
C  
D  
E  
F  
G  
H  
I  
J  
K  
L  
M  
N  
O  
P  
Q  
R  
S  
T  
U  
V  
W  
X  
Y



**Methyl Amyl Ketone (MAK)**



**Features:**

- High solvency
- Works with cellulosic lacquer and acrylic lacquers

**Applications:**

- For solvent borne painted and stained surfaces

Item #	Description
WRMAK-05	5 Gal Methyl Amyl Ketone



**Lacquer Retarder**



**Features:**

- Lacquer additive with a slower evaporation rate than standard and medium dry thinner

**Applications:**

- Great for increasing dry time in paints and lacquers
- Useful in high heat applications where slower drying is desired
- Eliminates lacquer "blushing"

Item #	Description
WRRETARDER-05	5 Gal Lacquer Retarder

**A SOLVENTS**
**B  
C  
D  
E  
F  
G  
H  
I  
J  
K  
L  
M  
N  
O  
P  
Q  
R  
S  
T  
U  
V  
W  
X  
Y**

**CAL Compliant Wash Thinner**

**Features:**

- Can be sold in the state of California
- Faster evaporation rate than standard thinner and modest cleaning power

**Applications:**

- For cleaning spray equipment in industrial wood or metal finishing
- Can be mixed with certain stains and paints

Item #	Description
WRCATHINNER-01	1 Gal Cal Compliant Wash Thinner
WRCATHINNER-05	5 Gal Cal Compliant Wash Thinner
WRCATHINNER-55	55 Gal Cal Compliant Wash Thinner


**Wash Thinner**

**Features:**

- Lacquer thinner with faster evaporation rate than the standard thinner and medium cleaning power

**Applications:**

- For cleaning spray equipment in Industrial wood or metal finishing
- Can be mixed with certain stains and paints

Item #	Description
WRWSHTINNER-01	1 Gal Wash Thinner
WRWSHTINNER-05	5 Gal Wash Thinner
WRWSHTINNER-55	55 Gal Wash Thinner

**SOLVENTS**



**Table Top and Bar Epoxy Resin & Hardener**



**Features:**

- Two part professional component epoxy coating designed for table, bar top, and slab wood applications
- Coats can be 1/8" to 1/4" thick
- Easy to use formula with a 1 to 1 mixing ratio
- Once cured, finish provides a thick, clear protective coating impervious to alcohol, solvents, and everyday use
- 100% solids
- Cure times can vary depending on temperature, humidity, and thickness

**Applications:**

- Great for bar tops, table tops, and wood slabs (incredible gap filling properties)
- Can be used for decoupage projects
- Pour over or brush applications

Item #	Description
WRTABLETOPEPOXY	1 GAL RESIN & 1 GAL HARDENER

**Coverage Chart**

Area	Resin Mixture
<b>Seal Coat</b>	
1 sq. ft.	3 oz
4 sq. ft.	11 oz
10 sq. ft.	26 oz
16 sq. ft.	42 oz
24 sq. ft.	64 oz
<b>Flood Coat</b>	
1 sq. ft.	8 oz
4 sq. ft.	32 oz
10 sq. ft.	80 oz
16 sq. ft.	128 oz
24 sq. ft.	192 oz



A  
B  
C  
D  
E  
F  
G  
H  
I  
J  
K  
L  
M  
N  
O  
P  
Q  
R  
S  
T  
U  
V  
W  
X  
Y

**A YELLOW WOOD GLUES**



**Professional Grade Yellow Assembly Glue**



- Fast setting
- Superior sandability
- Ideal for interior wood bonding
- Can be used to bond hard & soft woods and veneers
- Freeze thaw stable (3 cycles)
- Low chalking temperature
- Non-toxic
- Easy clean up
- Paintable and not affected by most stains and finishes
- OTC & CAL Compliant

Item #	Size	Color
WRG714Y-1	1 Gal	Yellow
WRG714Y-5	5 Gal	Yellow
WRG714Y-55	55 Gal	Yellow

B  
C  
D  
E  
F  
G  
H  
I  
J  
K  
L  
M  
N  
O  
P  
Q  
R  
S  
T  
U  
V  
W  
X  
Y



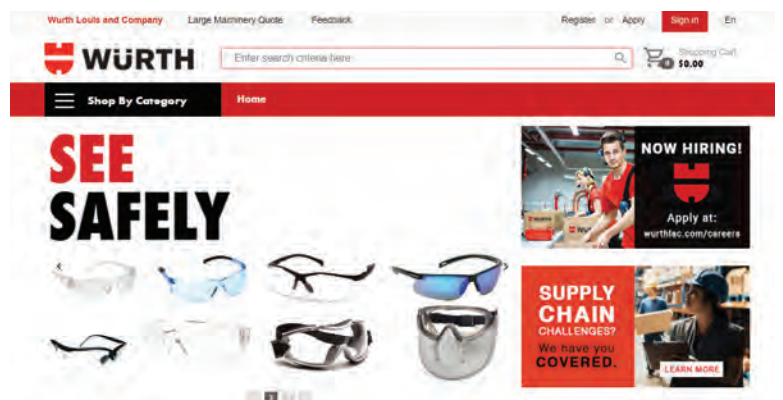
**Type I Professional Grade Yellow Wood Glue**



- Fast setting
- Superior sandability
- Ideal for interior wood bonding
- Can be used to bond hard & soft woods and veneers
- Freeze thaw stable (3 cycles)
- Low chalking temperature
- Non-toxic
- Easy clean up
- Paintable and not affected by most stains and finishes
- OTC & CAL Compliant

Item #	Size	Color
FGF714Y-1G	1 Gal	Yellow
FGF714Y-5G	5 Gal	Yellow

**Visit us on  
our website:  
wurthlac.com**



**YELLOW WOOD GLUES**



**Titebond® Original Glue**



- Bonds wood, hardboard, high pressure laminates and particleboard
- Open time: 5 minutes
- Assembly time: 10-15 minutes
- Application temperature: Above 50°F
- Viscosity: 3,200 cps

Item #	Size	Color	Dries
FR506-2	4 oz.	Yellow	Translucent, Yellow
FR506-3	8 oz.	Yellow	Translucent, Yellow
FR506-4	16 oz.	Yellow	Translucent, Yellow
FR506-5	Quart	Yellow	Translucent, Yellow
FR506-6	Gallon	Yellow	Translucent, Yellow
FR506-9	2.15 Gallon	Yellow	Translucent, Yellow
FR506-7	5 Gallon	Yellow	Translucent, Yellow
FR506-8	55 Gallon	Yellow	Translucent, Yellow

A  
B  
C  
D  
E  
F  
G  
H  
I  
J  
K  
L  
M  
N  
O  
P  
Q  
R  
S  
T  
U  
V  
W  
X  
Y



**Titebond® Extend Wood Glue**



- Slower setting version of Titebond original
- Excellent heat-resistance
- Broad range of applications including edge and face gluing
- Ideal for complex assemblies and bent laminations
- Bonds wood, particleboard, MDF, plywood and other porous materials
- Open time: 15 minutes
- Assembly time: 20-25 minutes
- Application temperature: Above 40°F
- Viscosity: 3,500 cps

Item #	Size	Color	Dries
FR9104	16 oz.	Yellow	Yellow
FR910-6	Gallon	Yellow	Yellow
FR910-7	5 Gallon	Yellow	Yellow



**Super Titebond® Glue**



- Resists stress imposed by heat and moisture during production; ideal glue for edge and face gluing
- Open time: 5 minutes
- Assembly time: 15-20 minutes
- Application temperature: Above 40°F
- Viscosity: 3,500 cps

Item #	Size	Color	Dries
FR507-5	5 Gallon	Yellow	Translucent
FR507-8	55 Gallon	Yellow	Translucent

**A WATER RESISTANT WOOD GLUES**

B  
C  
D  
E  
F  
G  
H  
I  
J  
K  
L  
M  
N  
O  
P  
Q  
R  
S  
T  
U  
V  
W  
X  
Y



**Water Resistant Professional Grade Exterior Assembly Glue**



- Ideal for applications such as exterior furniture, RF gluing, hot/cold press or where a high level of moisture resistance is required
- Passes all ANSI Type II water resistance tests
- Hot or cold press
- Fast set
- RF gluing
- Superior sandability
- OTC & CAL Compliant
- Not intended for applications below the waterline or for continuous submersion

Item #	Size	Color
WRG716Y-1	1 Gal	Yellow
WRG716Y-05	5 Gal	Yellow
WRG716Y-55	55 Gal	Yellow



**Formica Type II Water Resistant Professional Grade, Yellow Wood Glue**



- Ideal for applications such as exterior furniture, RF gluing, hot/cold press or where a high level of moisture resistance is required
- Passes all ANSI Type II water resistance tests
- Hot or cold press
- Fast set
- RF gluing
- Superior sandability
- OTC & CAL Compliant
- Not intended for applications below the waterline or for continuous submersion

Item #	Size	Color
WRG716Y-1	1 Gal	Yellow
WRG716Y-05	5 Gal	Yellow
WRG716Y-55	55 Gal	Yellow



**WATER RESISTANT WOOD GLUES**



**Titebond® II Premium Wood Glue Water Resistant**



- Passes ANSI Type II water-resistance
- Ideal for exterior wood projects including outdoor furniture and exterior doors, window and trim
- Ideal for radio frequency (R-F) and hot press gluing systems
- FDA approved for indirect food contact
- Open time: 5 minutes
- Assembly time: 10-15 minutes
- Application temperature: Above 55°F
- Viscosity: 4,000 cps

Item #	Size	Color	Dries
FR5003	8 oz.	Honey Cream	Translucent, Yellow
FR500-4	16 oz.	Honey Cream	Translucent, Yellow
FR500-5	Quart	Honey Cream	Translucent, Yellow
FR500-6	Gallon	Honey Cream	Translucent, Yellow
FR500-9	2.15 Gallon	Honey Cream	Translucent, Yellow
FR500-7	5 Gallon	Honey Cream	Translucent, Yellow
FR500-8	55 Gallon	Honey Cream	Translucent, Yellow



**Titebond® II Extend Wood Glue**



- Ideal for hot press and radio frequency (RF) gluing systems
- Passes Type II water-resistance testing
- Heat and solvent-resistant
- Excellent sandability
- Open time: 15 minutes
- Assembly time: 20-25 minutes
- Application temperature: Above 60°F
- Viscosity: 3,500 cps

Item #	Size	Color	Dries
FR4134	16 oz.	Off White	Cream
FR413-6	Gallon	Off White	Cream
FR413-7	5 Gallon	Off White	Cream
FR413-8	55 Gallon	Off White	Cream

A  
B  
C  
D  
E  
F  
G  
H  
I  
J  
K  
L  
M  
N  
O  
P  
Q  
R  
S  
T  
U  
V  
W  
X  
Y

**A WATER PROOF & QUICK DRY WOOD GLUES**

B  
C  
D  
E  
F  
G  
H  
I  
J  
K  
L  
M  
N  
O  
P  
Q  
R  
S  
T  
U  
V  
W  
X  
Y



**Titebond® III Ultimate Wood Glue  
Water Proof**



- Non-toxic, solvent free, cleans up with water
- Passes ANSI/HPVA Type I water-resistance
- Strong initial tack
- Designed for interior and exterior applications
- FDA approved for indirect food contact
- Open time: 10 minutes
- Assembly time: 20-25 minutes
- Application temperature: Above 45°F
- Viscosity: 4,200 cps

Item #	Size	Color	Dries
FR141-3	8 oz.	Tan	Light Brown
FR141-4	16 oz.	Tan	Light Brown
FR141-5	Quart	Tan	Light Brown
FR141-6	Gallon	Tan	Light Brown
FR141-9	2.15 Gallon	Tan	Light Brown
FR141-7	5 Gallon	Tan	Light Brown
FR141-8	55 Gallon	Tan	Light Brown

**Assembly High Tack**



- For general assembly as well as edge and face gluing of hardwoods & softwoods
- Dries very rapidly to give a short clamp time and has high solvent-resistance
- Open assembly time: 2-10 minutes
- Application temperature: Above 50°F
- Viscosity: 3,000 cps

Item #	Size	Color	Dries
FR2213-7	5 Gallon	Cream	Translucent

**WHITE WOOD GLUES**



**Professional Grade White Assembly Glue**



- Fast setting
- Superior sandability
- Ideal for interior wood bonding
- Can be used to bond hard & soft woods and veneers
- Freeze thaw stable (3 cycles)
- Low chalking temperature
- Non-toxic
- Easy clean up
- Paintable and not affected by most stains and finishes
- OTC & CAL Compliant

Item #	Size	Color
WRG714W-1	1 Gal	White
WRG714W-5	5 Gal	White

A  
B  
C  
D  
E  
F  
G  
H  
I  
J  
K  
L  
M  
N  
O  
P  
Q  
R  
S  
T  
U  
V  
W  
X  
Y



**Fast Setting White Wood Glue**



- Allows for use in cabinet assembly, face and edge gluing with minimal clamp time
- Fast setting
- Water clean up
- High solids
- For use with a glue bottle or spreader
- OTC & CAL Compliant

Item #	Size	Color
WRG522W-1	1 Gal	White
WRG522W-5	5 Gal	White
WRG522W-55	55 Gal	White

**A WHITE WOOD GLUES**

B  
C  
D  
E  
F  
G  
H  
I  
J  
K  
L  
M  
N  
O  
P  
Q  
R  
S  
T  
U  
V  
W  
X  
Y



**Professional Grade White Wood Glue**



- Fast setting
- Superior sandability
- Ideal for interior wood bonding
- Can be used to bond hard & soft woods and veneers
- Freeze thaw stable (3 cycles)
- Low chalking temperature
- Non-toxic
- Easy clean up
- Paintable and not affected by most stains and finishes
- OTC & CAL Compliant

Item #	Size	Color
FGF715Y-1G	1 Gal	White
FGF715-5G	5 Gal	White
FGF715-55G	55 Gal	White



**Fast Setting White Wood Glue**



- Allows for use in cabinet assembly, face and edge gluing with minimal clamp time
- Fast setting
- Water clean up
- High solids
- For use with a glue bottle or spreader
- OTC & CAL Compliant

Item #	Size	Color
FGF522-01	1 Gal	White



**White Glue, Fast Set Time**



- Forms a hard, tough glue line
- Open time: 4-5 minutes
- Assembly time: 4-6 minutes
- Application temperature: Above 58°F
- Viscosity: 11,500 cps

Item #	Size	Color	Dries
ADJOW110.60	5 Gallon	White	Opaque

## FLUORESCENT WOOD & MELAMINE GLUES



### Titebond® White Glue



- Ideal for bonding most porous materials
- No solvent vapors
- Open time: 5 minutes
- Assembly time: 10-15 minutes
- Application temperature: Above 50 °F
- Viscosity: 8,500 cps

Item #	Size	Color	Dries
FR502-6	1 Gallon	White	Translucent
FR502-7	5 Gallon	White	Translucent
FR502-8	55 Gallon	White	Translucent



### Titebond® II Fluorescent Wood Glue



- Visible under black light
- Enables detection and removal of dried glue before finishing
- Passes ANSI Type II water-resistance
- Bonds wood, hardboard, high pressure laminates and particleboard
- Excellent heat and solvent-resistance
- Ideal for radio frequency (RF) gluing systems
- Open time: 5 minutes
- Assembly time: 10-15 minutes
- Application temperature: Above 55 °F
- Viscosity: 4,000 cps

Item #	Size	Color	Dries
FR2316	1 Gallon	Honey Cream	Translucent, Yellow
FR2317	5 Gallon	Honey Cream	Translucent, Yellow



### Titebond® Melamine Glue



- Bonds melamine, vinyl coated products, and HPL to porous materials
- Thick formulation - fewer runs and drips
- Fast initial tack
- Open time: 5 minutes
- Assembly time: 10-15 minutes
- Application temperature: Above 40 °F
- Viscosity: 12,000 cps

Item #	Size	Color	Dries
FR401-4	16 oz.	White	Clear
FR401-6	1 Gallon	White	Clear
FR401-7	5 Gallon	White	Clear

**A MELAMINE & DOWEL INSERTION GLUES**

B  
C  
D  
E  
F  
G  
H  
I  
J  
K  
L  
M  
N  
O  
P  
Q  
R  
S  
T  
U  
V  
W  
X  
Y



**Rooclear™ Melamine Glue**



- Use on melamine, vinyl, laminate, PVC edgebanding, wood veneer and acrylics
- Dries quickly to produce a clear, water resistant bond with very high tensile strength
- Open time: 10-15 minutes
- Assembly time: 30-90 minutes
- Application temperature: Above 45 °F
- Viscosity: 4,850 cps

Item #	Size	Color	Dries
YYRGPT	16 oz.	White	Clear
YYRG-6	1 Gal.	White	Clear
YYRG-7	5 Gal.	White	Clear



**Titebond® Doweling Glue**



- Compatible with most US made doweling machines; refer to machine owners manual for details
- Application temperature: Above 50 °F
- Viscosity: 1,500 cps

Item #	Size	Color	Dries
FR220-7	5 Gallon	White	Translucent



**Titebond® Doweling Glue LV**



- Compatible with most European made doweling machines; refer to owners manual for details
- Assembly time: 0-5 minutes
- Application temperature: Above 45 °F
- Viscosity: 140 cps

Item #	Size	Color	Dries
FR381-7	5 Gallon	White	Translucent



**Dowel Insertion Glue,  
For American & European Machines**



- Especially designed for low pressure doweling machines from Koch, Hoffman, Lehbrink, Weeke, and Accu Systems
- Contains a UV indicator and special additives to prevent nozzle clogging
- Application temperature: Above 58 °F
- Viscosity: 125 cps

Item #	Size	Color	Dries
ADJOW114.60	5 Gallon	White	Opaque

**COLD PRESS AND NIP & STACK ADHESIVES**



**Cold Press Laminating Adhesive**



- General purpose white laminating and assembly adhesive
- Green Guard Certified, LEED 3.2, 4.1, 4.4 Compliant
- OTC & CAL Compliant
- Medium setting
- Aggressive wet tack

Item #	Size	Color
WRG2700C-5	5 Gal	White
WRG2700C-55	55 Gal	White



**Premium Cold Press Laminating Adhesive**



- CAL & OTC Compliant
- Medium setting
- Aggressive wet tack
- High solids
- General purpose laminating and assembly adhesive
- Excellent flow-ability

Item #	Size	Color
WRGXA2400-5	5 Gal	White



**Crosslinking Water Resistant Hot Press Adhesive**



- White crosslinkable polyvinyl acetate that is pre-catalyzed and formulated to be ready for use
- Can be used in a cold or hot press and can be used in RF gluing applications
- Used in automated glue spreader or manually applied
- Excellent machinability and stability
- High solids
- Water resistant
- OTC & CAL Compliant

Item #	Size	Color
WRGHOTPRESS-5	5 Gal	White

A  
B  
C  
D  
E  
F  
G  
H  
I  
J  
K  
L  
M  
N  
O  
P  
Q  
R  
S  
T  
U  
V  
W  
X  
Y

**A COLD PRESS AND NIP & STACK ADHESIVES**

B  
C  
D  
E  
F  
G  
H  
I  
J  
K  
L  
M  
N  
O  
P  
Q  
R  
S  
T  
U  
V  
W  
X  
Y



**Nip & Stack, Hot/Cold Press, Premium Laminating Adhesive**



- Green color
- Suitable for cold press, hot press, postforming, or nip and stacking
- Fast setting
- High solids
- Postformable
- Green Guard Certified
- OTC & CAL Compliant

Item #	Size	Color
WRG7709G-5	5 Gal	Green
WRG7709G-55	55 Gal	Green



**Cold Press Laminating Adhesive**



- General purpose laminating and assembly wood glue
- Green Guard Certified, LEED 3.2, 4.1, 4.4 Compliant
- OTC & CAL Compliant
- Medium setting
- Aggressive wet tack

Item #	Size	Color
FGXA2600-05	5 Gal	White



**Nip & Stack, Hot/Cold Press, Premium Laminating Adhesive**



- Suitable for cold press, hot press, postforming, or nip and stacking
- Fast setting
- High solids
- Postformable
- Green Guard Certified
- OTC & CAL Compliant

Item #	Size	Color
FG7709TG-05G	5 Gal	Green



**COLD PRESS AND NIP & STACK ADHESIVES**



**Titebond® Cold Press for HPL**



- Specifically formulated for cold press laminating of HPL and backed veneers to solid woods, particle board, MDF and other porous materials
- Economical alternative to contact cement for large scale flat laminating
- Open time: 15 minutes
- Assembly time: 15-20 minutes
- Application temperature: Above 50°F
- Viscosity: 4,500 cps

Item #	Size	Color	Dries
FR461-7	5 Gallon	Off White	Translucent



**Titebond® Cold Press for Veneer**



- Specifically formulated for cold press laminating of wood to solid woods, particleboard, MDF, plywood and other porous materials
- Economical alternative to contact cement
- Formulated to minimize “bleed-through”
- No harmful vapors, non-flammable
- Open time: 15 minutes
- Assembly time: 15-20 minutes
- Application temperature: Above 50°F
- Viscosity: 4,500 cps

Item #	Size	Color	Dries
FR517-6	1 Gallon	Tan	Dark Brown
FR517-7	5 Gallon	Tan	Dark Brown



**Titebond® No Run, No Drip Wood Glue**



- Ideal for finish trim, crown moulding, baseboards and window casings
- Extra-thick formula helps fill small cracks and gaps
- Strong initial tack
- Open time: 3-5 minutes
- Assembly time: 10-15 minutes
- Application temperature: Above 50°F
- Viscosity: 36,500 cps

Item #	Size	Color	Dries
FR2403	8 oz.	Beige	Translucent
FR2404-16	16 oz.	Beige	Translucent

**A SPECIALTY GLUES**

B  
C  
D  
E  
F  
G  
H  
I  
J  
K  
L  
M  
N  
O  
P  
Q  
R  
S  
T  
U  
V  
W  
X  
Y



**Titebond® Polyurethane Glue**



- Ideal for wood, metals, ceramics, most plastics, HPL, Corian, stone and other porous/nonporous materials
- 100% waterproof adhesive that bonds virtually everything
- Epoxy like strength; no mixing and fast cure time
- Excellent sandability
- Assembly time after glue application: 25 - 30 minutes

Item #	Size	Color	Dries
FR2303	8 oz	Brown	Yellow
FR2300	12 oz	Brown	Yellow



**Fastfix Gel Adhesive**



- Non-flowing; will not drip
- High temperature resistance to 212° F
- Sold by the tube

Item #	Size
WR0893403	0.11 oz



**Titebond® Instant Bond**



- CA (Cyanoacrylate) 2 part adhesive system that takes between 5-15 seconds to set and 30-60 seconds to cure
- Two year shelf life
- **Activator:** Heptane based instant bond activator
- **Thin adhesive:** Designed for use when filling cracks
- **Medium adhesive:** Designed for smooth surfaces
- **Thick adhesive:** Designed for porous surfaces
- **Gel adhesive:** Will not run; good for use in vertical applications

Activator Item #	Thin Item #	Medium Item #	Thick Item #	Gel Item #	Size
FR6311	FR620-1	FR6211	-	-	2 oz.
-	FR6202	FR6212	FR6222	FR6232	4 oz.

## TWO PART INSTANT GLUES



**Adhesive Types:**

**Thin:** Filling micro cracks, zero glue line.

**Medium:** Use on smooth surfaces such as melamine and laminate.

**Thick:** Use on porous surfaces such as particle board.

**Jel:** Will not run, all purpose application, excellent for vertical surfaces.

### Two Part Instant Glue Adhesive System Kit, Industrial Grade



- Kit includes: (1) each 2 oz. bottles of Thin, Medium, Thick and Jel Adhesives; Activator, Debonder, micro-tips and carrying case
- Sold by the each

Item #	Description	Size
FC2P10	2P10 Kit	
<b>Kit Refills</b>		
FC2P10THIN2	Thin Adhesive	2 oz. bottle
FC2P10MED	Medium Adhesive	2 oz. bottle
FC2P10THK	Thick Adhesive	2 oz. bottle
FC2P10JEL2	Jel Adhesive	2 oz. bottle
FC2P10DBNDR	Debonder	2 oz. bottle
FC2P10ACT	Activator	2 oz. bottle



**Adhesive Types:**

**Thin:** Filling micro cracks, zero glue line.

**Medium:** Use on smooth surfaces such as melamine and laminate.

**Thick:** Use on porous surfaces such as particle board.

**Jel:** Will not run, all purpose application, excellent for vertical surfaces.

### Two Part Instant Glue Adhesive System, Industrial Grade



- Dries Clear
- Easy To Sand Within 60 Seconds
- Sold by the each

NOTE: Activator (FC2P10SOLOACT) Sold Separately.

Item #	Description	Size
<b>Adhesives &amp; Activator</b>		
FC2P10THIN10	Thin Adhesive	10 oz. bottle
FC2P10MED10	Medium Adhesive	10 oz. bottle
FC2P10THK10	Thick Adhesive	10 oz. bottle
FC2P10JEL10	Jel Adhesive	10 oz. bottle
FC2P10SOLOACT	Activator	12 oz. aerosol
<b>Accessories (Sold by the pack)</b>		
FC2P10-TIPPK	Repl cap with steel pin	3 tips/pack
FC2P10-XTIP	2.25" Tip, Trimmable	1 tip/pack
FCMICRO	Microtip for precision application	25 tips/pack



### Two Part Instant Glue Adhesive System, Industrial Grade



- Thick adhesive for use on porous surfaces such as particle board
- Kit includes (1) 12 oz. spray activator and (1) 2 oz. thick adhesive

Item #	Description
FC2P10SOLO	Semi-Production Kit

A  
B  
C  
D  
E  
F  
G  
H  
I  
J  
K  
L  
M  
N  
O  
P  
Q  
R  
S  
T  
U  
V  
W  
X  
Y

**A GLUE BOTTLES & APPLICATORS**

B  
C  
D  
E  
F  
G  
H  
I  
J  
K  
L  
M  
N  
O  
P  
Q  
R  
S  
T  
U  
V  
W  
X  
Y



4 oz.      16 oz. Cylinder      16 oz. Boston



Pint      Quart

**Glue Bottles and Caps**

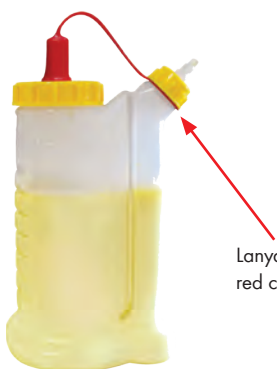
- For convenience in emptying larger containers into easy-to-use, one-hand grip size plastic bottle for workbench use
- Sold by the each



Size	Bottle Item #	Cap Item #	Bottle / Cap Item #
4 oz	INDB358	INDL411	-
16 oz Cylinder	INDB212	INDL418	-
16 oz Boston	INDB204/28-410	INDL415/28-410	-
Pint	-	-	YYGBPT
Quart	-	-	YYGBQT
Repl Cap for YY Bottles	-	YYC	-

**Glue Applicators, Drip Proof**

- 2 chamber system pushes glue from bottom up, to allow glue to flow on vertical surfaces
- Uses glue from the bottom first, no more old, clumpy glue at the bottom
- Unused glue is sucked back into the bottle - no runs, no clogged tip



Lanyard to keep red cap close

Item #	Description	Size
<b>4 oz. Babe-Bot and Accessories</b>		
FCBABBOT	4 oz. Applicator	4 oz.
FCBBBT	BabeBot Blade Tips	5 Pack
FCBBLID	BabeBot Lid and Ring	5 Pack
FCBBRC	BabeBot Red Caps	5 Pack
FCBBYT	BabeBot Yorker Tips	5 Pack
<b>16 oz. Glu-Bot and Accessories</b>		
FCGLUBOT	16 oz. Applicator	16 oz.
FCGBBT	Glu-Bot Blade Tips	5 Pack
FCGBGUIDE	Glu-Bot Guide	5 Pack
FCGBLID	Glu-Bot Lid and Ring	1 each
FCGBYT	Glu-Bot Yorker Tips	5 Pack

## HOT-MELT GLUES & APPLICATORS

### Scotch-Weld™ Hot-Melt Applicators For Woodworking



Item #	Weight	Output	Temp.	Power (120V)	Features	Required Adhesive	
<b>High Temp Glue Guns</b>							
A	MGPBTC	13.8 oz	3.5 lb. per hour	385° F	150W	<ul style="list-style-type: none"> <li>Economical glue gun includes palm trigger for continuous operation and smoother beads; also easier for use with smaller hands.</li> <li>Uses 3M "Quadrack" adhesives</li> <li>Warranty: 12 months</li> </ul>	MGJM3792Q MGJM3738Q MGJM3747Q
B	MGHMAEII	20 oz	4 lb. per hour	400° F	100W	<ul style="list-style-type: none"> <li>Built in stand and anti-tip guard help keep applicator upright and ready to grip.</li> <li>Contoured grip and wide trigger for operator comfort.</li> <li>Uses 3M "AE" adhesives</li> <li>Warranty: 6 months</li> </ul>	MGHM3792 MGJM3762AE
<b>Low Temp Glue Guns</b>							
C	MGHMLTP	13.8 oz	2.6 lb. per hour	265° F	150W	<ul style="list-style-type: none"> <li>Lightweight and easy to use</li> <li>Palm trigger improves ergonomic comfort</li> <li>Includes Quadrack converter</li> <li>Uses 3M LM (Low Temp) adhesives</li> <li>Warranty: 12 months</li> </ul>	MGJM3792LMQ-8

### 3M™ Scotch-Weld™ Hot Melt Glue Sticks

\*Sold by the pound (multiples of 11); all others sold by the box of 11 lbs.

Item #	Type	Dia.	Len.	Color	Description
<b>High Temp Glue Sticks</b>					
MG3792	Quad	5/8"	2"	Clear	<b>Applications:</b> Multi-purpose adhesive; for wood, corrugated materials, fabric, furniture, upholstery and other lightweight materials. <b>Benefits:</b> Good adhesion to wood; 40 second open time.
MGJM3792Q	Quad	5/8"	8"	Clear	
MGHM3792	AE	1/2"	12"	Clear	
MGJM3762AE*	AE	1/2"	12"	Tan	<b>Applications:</b> General purpose adhesive commonly used for bonding wood, paper, and cardboard. Securely bonds lightly waxed surfaces that may be difficult for tape to seal. <b>Benefits:</b> Good "hot tack", quick grab for packaging and woodworking; 30 second open time.
MGJM3738Q	Quad	5/8"	8"	Tan	<b>Applications:</b> For wood bonding, corrugated products, and selected plastics and cardboard. <b>Benefits:</b> High delivery rate and 50 second open time.
MGJM3747Q*	Quad	5/8"	8"	Tan	<b>Applications:</b> Commonly used for bonding wood, metal, rigid vinyl, laminate and acrylics. <b>Benefits:</b> Good heat resistance to prevent pop-open during transit or storage and 45 second open time.
MG82598	PG	1"	3"	Clear	<b>Applications:</b> Bonds variety of plastics including polycarbonate, polyethylene, and Polypropylene. <b>Benefits:</b> Flexible at low temperatures.
<b>Low Temp Glue Sticks</b>					
MGJM3792LMQ-8*	LM	5/8"	8"	Clear	<b>Applications:</b> Multi-purpose for wood, coated paper, polyolefins and other heat sensitive materials. <b>Benefits:</b> Good heat resistance to prevent pop-open during transit or storage; 40 sec. open time.

A  
B  
C  
D  
E  
F  
G  
H  
I  
J  
K  
L  
M  
N  
O  
P  
Q  
R  
S  
T  
U  
V  
W  
X  
Y

**A INFINITY BOND PUR ADHESIVE SYSTEM**

**B Infinity Bond PUR Adhesive System**



Replacing the Titebond HiPURformer glue system, Infinity Bond offers an incredibly unique system for cord free, cost effective dispensing of high strength polyurethane hot melt. Cartridges are available in three different formulas to meet the needs of almost any application that requires a fast, strong, permanent bond.



**Infinity PUR Adhesive Applicator for 50 Gram Cartridges**

- Includes gun, plunger, and base
- Adhesive cartridges sold separately
- Fast, reliable PUR hot melt dispensing

<b>Item #</b>
INF1361



**Infinity PUR WW30 Polyurethane Hot Melt 50 Gram Cartridge**

- 30 second set time
- Designed for bonding wood to wood
- Fast set time reduces need for pins, staples, or sanding of putty
- 100% solids with no VOCs

<b>Item #</b>
INF1301



**Infinity PUR WW60 Polyurethane Hot Melt 50 Gram Cartridge**

- 60 second set time
- Formulated for indoor or outdoor use
- Great for bonding wood and other wood composite materials
- So strong it can replace screws, staples, nails and other fasteners

<b>Item #</b>
INF1311



**Infinity PUR MP75 Polyurethane Hot Melt 50 Gram Cartridge**

- 75 second set time
- Designed for use on wood, melamine, metals and most plastics
- Waterproof, making it ideal for interior and exterior projects
- UV indicator to allow easier visibility under black lights

<b>Item #</b>
INF1321

**FLAMMABLE BULK CONTACT ADHESIVES**



**Economy Flammable Spray Grade**

- Excellent room temp contactability, green strength and high heat resistance
- Excellent sprayability
- For flat work only



Item #	Size	Color
WRG159C-05	5 Gal	Clear
WRG159C-54	54 Gal	Clear
WRG158R-05	5 Gal	Red
WRG158R-54	54 Gal	Red



**Premium Flammable Spray Grade**

- High performance - excellent initial tack and bond strength
- Excellent room temp contactability, green strength and heat resistance
- Postformable
- Provides good uniform coverage in hand and automatic spray applications
- Excellent sprayability



Item #	Size	Color
WRG156C-05	5 Gal	Clear
WRG156C-54	54 Gal	Clear
WRG155R-05	5 Gal	Red
WRG155R-54	54 Gal	Red



**CAL Compliant Flammable Spray Grade**

- VOC free
- Fast-drying
- High initial tack
- High green strength
- Long open time
- CAL & OTC Compliant



Item #	Size	Color
WRG270C-05	5 Gal	Clear
WRG270R-05	5 Gal	Red
WRG270R-54	54 Gal	Red



**Low VOC Flammable Spray Grade**

- High bond strength
- High solids means extended mileage
- Fast drying and high heat resistance
- Low VOC
- OTC Compliant



Item #	Size	Color
WRG268C-05	5 Gal	Clear
WRG268C-54	54 Gal	Clear
WRG268R-05	5 Gal	Red
WRG268R-54	54 Gal	Red

A  
B  
C  
D  
E  
F  
G  
H  
I  
J  
K  
L  
M  
N  
O  
P  
Q  
R  
S  
T  
U  
V  
W  
X  
Y

**A FLAMMABLE BULK CONTACT ADHESIVES**

B  
C  
D  
E  
F  
G  
H  
I  
J  
K  
L  
M  
N  
O  
P  
Q  
R  
S  
T  
U  
V  
W  
X  
Y



**Flammable Brush & Roll Grade**

- Excellent room temperature contactibility, green strength and heat resistance
- Spreads easily and provides good uniform coverage
- Postformable
- Fast drying formula



Item #	Size	Color
WRG140C-1	1 Gal	Clear
WRG140C-5	5 Gal	Clear



**Flammable Spray Grade, Premium 19% Solids, Postformable**

- High solids contact adhesive allows faster line speeds on laminating lines
- High heat resistance; low odor, suitable for most postform applications
- Technical Info: Open Time: 20 minutes, Dry Time: 3-5 minutes based on conditions



Item #	Color	Container Size
MGPB938C-05	Clear	5 Gallon Pail
MGPB938C-55	Clear	55 Gallon Drum
MGPB938R-05	Red	5 Gallon Pail
MGPB938R-55	Red	55 Gallon Drum



**Flammable Spray Grade, Premium 21% Solids, Postformable**



- Designed for versatility - high green strength and high strength bonds, excellent heat resistance
- Provides extremely easy and uniform coverage in all types and sizes of operations
- Excellent hand spray contact bond adhesive with superior initial spot grab and combinability
- Similar to Helmitin 4560 & Wilsonart 800/801
- Technical Info: Open Time: 1 hour, Dry Time: 2-5 minutes based on conditions

Item #	Color	Container Size
STPS156-05C	Clear	5 Gallon Pail
STPS156-55C	Clear	52 Gallon Drum
STPS155-05R	Red	5 Gallon Pail
STPS155-55R	Red	52 Gallon Drum



**FLAMMABLE BULK CONTACT ADHESIVES**



**Economy Flammable Spray Grade**

- Excellent room temp contactability, green strength and high heat resistance
- Excellent sprayability
- For flat work only



Item #	Size	Color
FGF159M-05C	5 Gal	Clear
FGF159M-54C	54 Gal	Clear
FGF158M-05R	5 Gal	Red
FGF158M-54R	54 Gal	Red



**Premium Flammable Spray Grade, Postform**

- High performance - excellent initial tack and bond strength
- Excellent room temp contactability, green strength and heat resistance



Item #	Size	Color
FGF156-05C	5 Gal	Clear
FGF156-54C	54 Gal	Clear
FGF155-05R	5 Gal	Red
FGF155-54R	54 Gal	Red



**Platinum Flammable Spray Grade**

- High solids, high performance
- Postformable in manual and heated spray systems
- Lower applied cost



Item #	Size	Color
FGHSPLUS-05C	5 Gal	Clear
FGHSPLUS-5R	5 Gal	Red
FGHSPLUS-54C	54 Gal	Clear



**Flammable Spray Grade, Premium 18% Solids, Postform**

- High performance - excellent initial tack and bond strength
- Excellent room temperature contactability, green strength and heat resistance



Item #	Color	Container Size
FG151-05C	Clear	5 Gallon Pail
FG151-54C	Clear	54 Gallon Drum
FGF150-05R	Red	5 Gallon Pail

A  
B  
C  
D  
E  
F  
G  
H  
I  
J  
K  
L  
M  
N  
O  
P  
Q  
R  
S  
T  
U  
V  
W  
X  
Y

A  
B  
C  
D  
E  
F  
G  
H  
I  
J  
K  
L  
M  
N  
O  
P  
Q  
R  
S  
T  
U  
V  
W  
X  
Y

## FLAMMABLE BULK CONTACT ADHESIVES



### CAL Compliant Flammable Spray Grade

- VOC free
- Fast-drying
- High initial tack
- High green strength
- Long open time
- CAL & OTC Compliant



Item #	Size	Color
FG270-05G	5 Gal	Green
FG270-54G	54 Gal	Green



### OTC Compliant Flammable Spray Grade

- High bond strength
- High solids means extended mileage
- Fast drying and high heat resistance
- Low VOC
- OTC Compliant



Item #	Size	Color
FG268B-05C	5 Gal	Clear
FG268B-54C	54 Gal	Clear
FG268-05R	5 Gal	Red
FG268BR-54R	54 Gal	Red



### Flammable Brush Grade

- Excellent room temperature contactability, green strength and heat resistance
- Spreads easily and provides good uniform coverage
- Postformable
- Spreads easily and provides uniform coverage
- Fast drying formula



Item #	Size	Color
FGF140-01C	1 Gal	Clear
FGF140-05C	5 Gal	Clear
FGF140-54C	54 Gal	Clear

**FLAMMABLE BULK CONTACT ADHESIVES**



**LB25 High Temp Sprayable Contact Adhesive**



- High heat resistance
- No ODS (Ozone Depleting Substances)
- Quick dry time with long open time
- Bonds to nearly any surface
- Excellent Green strength
- No chlorinated solvents

Item #	Size	Color
QGALB25C-1G	1 Gal	Clear
QGALB25C-5G	5 Gal	Clear
QGALB25C-54G	54 Gal	Clear

Item #	Size	Color
QGALB25R-5G	5 Gal	Red
QGALB25R-54G	54 Gal	Red



**LB28 High Temp Brush Grade Contact Adhesive**



- High heat resistance
- No ODS (Ozone Depleting Substances)
- Quick dry time with long open time
- Excellent Green strength
- VOC free
- OTC Compliant

Item #	Size	Color
QGALB28C-1G	1 Gal	Clear
QGALB28C-5G	5 Gal	Clear



**C307 CA Compliant Sprayable Contact Adhesive**



- Good heat resistance
- High strength, long-term bond
- OTC Compliant
- Low VOC California Compliant
- No urea formaldehyde added

Item #	Size	Color
QGAC307C-5G	5 Gal	Clear
QGAC307C-54G	54 Gal	Clear

Item #	Size	Color
QGAC307R-5G	5 Gal	Red
QGAC307R-54G	54 Gal	Red



**C313 CA Compliant Pebble Spray Contact Adhesive**



- Low-profile pebbly spray contact adhesive with good temp resistance
- Low VOC California Compliant
- No ODS (Ozone Depleting Substances)
- Reduces adhesive telegraphing
- Versatile adhesive, bonding to nearly any surface

Item #	Size	Color
QGAC313C-5G	5 Gal	Clear

A  
B  
C  
D  
E  
F  
G  
H  
I  
J  
K  
L  
M  
N  
O  
P  
Q  
R  
S  
T  
U  
V  
W  
X  
Y

**A NON-FLAMMABLE BULK CONTACT ADHESIVES**



**Low VOC Non-Flammable Spray Grade**



- OTC and Green Diamond Compliant
- VOC free
- Excellent green strength and high heat resistance
- High solids means extended mileage

Item #	Size	Color
WRG171C-05	5 Gal	Clear
WRG171C-54	54 Gal	Clear

Item #	Size	Color
WRG170G-05	5 Gal	Green
WRG170G-54	54 Gal	Green



**Non-Flammable Brush & Roll Grade**



- High pressure laminate adhesive for porous and nonporous surfaces
- Excellent green strength and high heat resistance
- Postformable
- Contains no ozone depleters
- Spreads easily and provides uniform coverage
- OTC Compliant

Item #	Size	Color
WRG100C-1	1 Gal	Clear
WRG100C-5	5 Gal	Clear



**Waterbased Roll/Brush/Spray Grade**



- OTC & CAL Compliant
- Low VOC content
- Excellent for bonding laminate, wood, metal and plastics
- Postformable
- Excellent room temperature contactability
- Provides good uniform coverage in manual and automatic spray applications
- Film changes color - indicates when dry

Item #	Size	Color
WRG180C-1	1 Gal	Clear
WRG180C-05	5 Gal	Clear

Item #	Size	Color
WRG180G-05	5 Gal	Green
WRG180G-55	55 Gal	Green



**Non-Flammable Low VOC Neoprene Spray Grade**



- Excellent room temperature contactability
- Excellent green strength and high heat resistance
- VOC Free
- Non-ozone depleting
- OTC Compliant
- Postformable

Item #	Size	Color
WRG120C-5	5 Gal	Clear

## NON-FLAMMABLE BULK CONTACT ADHESIVES



### OTCNF Non-Flammable Spray Grade



- OTC and Green Diamond Compliant
- VOC free
- Excellent green strength and high heat resistance
- Non-ozone depleting

Item #	Size	Color
FGF171-05C	5 Gal	Clear
FGF171-54C	54 Gal	Clear

Item #	Size	Color
FGF170-05G	5 Gal	Green
FGF170-54G	54 Gal	Green



### S100 Non-Flammable Brush Grade



- High pressure laminate adhesive for porous and nonporous surfaces
- Excellent green strength and high heat resistance
- Postformable
- Contains no ozone depleters
- Spread easily and provides uniform coverage
- OTC Compliant

Item #	Size	Color
FGF100S-01C	1 Gal	Clear
FGF100S-05C	5 Gal	Clear



### Waterbased Roll/Brush/Spray Grade



- OTC & CAL Compliant
- Low VOC content
- Excellent for bonding laminate, wood, metal and plastics
- Postformable
- Excellent room temperature contactability
- Provides good uniform coverage in hand and automatic spray applications
- Film changes color - indicates when dry

Item #	Size	Color
FGF180-01C	1 Gal	Clear
FGF180-05C	5 Gal	Clear



### C300 Non-Flam High Solids Contact Adhesive



- Designed for laminate and general bonding to many substrates
- Bonds metals, plastics, wood, rubber, and porous or non-porous surfaces
- Fast drying with long open time
- Good initial tack
- Excellent coverage

Item #	Size	Color
QGAC300-5G	5 Gal	Clear
QGAC300C-54G	54 Gal	Clear

Item #	Size	Color
QGAC300G-5G	5 Gal	Green
QGAC300G-54G	54 Gal	Green

**A FLAMMABLE & NON-FLAMMABLE CANISTER ADHESIVES**

B  
C  
D  
E  
F  
G  
H  
I  
J  
K  
L  
M  
N  
O  
P  
Q  
R  
S  
T  
U  
V  
W  
X  
Y



**Premium Hi-Temp Non-Flam/Flam Canister**



- High bond strength
- Fast drying with high heat resistance
- Excellent room temperature contactability
- Permanent bond of materials where immediate bond strength and good heat resistance are required
- Non-flammable adhesive/Flammable propellant

Item #	Size	Color
WRG200C-11	11 Lb	Clear
WRG200C-38	38 Lb	Clear
WRG200C-177	177 Lb	Clear
WRG200C-355	355 Lb	Clear
WRG200G-38	38 Lb	Green
WRG200G-177	177 Lb	Green
WRG200R-38	38 Lb	Red
WRG200R-177	177 Lb	Red
WRG200R-355	355 Lb	Red



**Flam/Flam Canister**



- HAPs free
- Non-Methylene Chloride
- Excellent room temperature contactability
- Excellent green strength and high heat resistance

Item #	Size	Color
WRG202C-30	30 Lb	Clear



**CAL Compliant Flam/Flam Canister**



- OTC & CAL Compliant
- Low VOC
- Soft spray allows for greater control of pattern and reduces telegraphing
- High solids means extended mileage
- Excellent heat resistance and bond strength

Item #	Size	Color
WRG270C-27	27 Lb	Clear
WRG270C-128	128 Lb	Clear
WRG270R-27	27 Lb	Red

**FLAMMABLE & NON-FLAMMABLE CANISTER ADHESIVES**



**CAL Compliant Flammable Air Assisted Canister**



- Designed to be used with a traditional spray gun for complete adjustability in the spray pattern
- OTC & CAL Compliant
- Low VOC
- High solids means extended mileage
- Excellent heat resistance and bond strength

Item #	Size	Color
WRG270C-AC-27	27 lb	Clear



**Low VOC Non-Flam/Non-Flam Canister**



- OTC Compliant and Green Guard certified
- VOC free
- Excellent high heat resistance
- Pebble spray pattern

Item #	Size	Color
WRG200NFG-35	35 Lb	Clear
WRG200NFG-162	162 Lb	Green
WRG200NFG-326	326 Lb	Green



**Canister Guns, Hoses & Accessories**



- For use with canister adhesives
- Items sold separately

Item #	Description
WRGHOSE-12	12' Canister Hose
WRGHOSE-18	18' Canister Hose
WRGHOSE-25	25' Canister Hose
WRGSPRAYGUN	Adjustable Spray Gun with 6501 Tip
WRGTIP-6501	6501 Spray Tip - 65° Fan
WRGTIP-9501	9501 Spray Tip - 95° Fan
WRGHOSE-SPLT	T-Fitting for 2 Lines on Jumbo Canister

A  
B  
C  
D  
E  
F  
G  
H  
I  
J  
K  
L  
M  
N  
O  
P  
Q  
R  
S  
T  
U  
V  
W  
X  
Y

A  
B  
C  
D  
E  
F  
G  
H  
I  
J  
K  
L  
M  
N  
O  
P  
Q  
R  
S  
T  
U  
V  
W  
X  
Y

**FLAMMABLE & NON-FLAMMABLE CANISTER ADHESIVES**



**Hi-Temp Premium Non-Flam/Flam Canister**



- High bond strength
- Fast drying with high heat resistance
- Excellent room temperature contactability
- Permanent bond of materials with immediate bond strength and good heat resistance
- Non-flammable adhesive

Item #	Size	Color
FG200-11C	11 Lb	Clear
FG200-038C	38 Lb	Clear
FG200-177C	177 Lb	Clear
FG200-355C	355 Lb	Clear
FG200-038G	38 Lb	Green
FG200-177G	177 Lb	Green
FG200-355G	355 Lb	Green
FG200-038R	38 Lb	Red
FG200-177R	177 Lb	Red
FG200-355R	355 Lb	Red



**CAL Flam/Flam Canister**



- OTC & CAL Compliant
- Low VOC
- Soft spray allows for greater control of pattern and reduces telegraphing
- High solids means extended mileage
- Excellent heat resistance and bond strength

Item #	Size	Color
FG270-27C	27 Lb	Clear
FG270-128C	128 Lb	Clear
FG270-252C	252 Lb	Clear
FG270-27R	27 Lb	Red
FG270-128R	128 Lb	Red
FG270-250R	252 Lb	Red



**FLAMMABLE & NON-FLAMMABLE CANISTER ADHESIVES**



**OTCNF Non-Flam/Non-Flam Canister**



- Green Guard certified
- VOC free
- Excellent high heat resistance
- Pebble spray pattern
- Non-flammable adhesive/Non-flammable propellant

Item #	Size	Color
FGF268NF-035C	35 Lb	Clear
FGF268NF-162	162 Lb	Clear
FGF268NF-326C	326 Lb	Clear
FGF268NF-35G	35 Lb	Green
FGF268NF-162G	162 Lb	Green
FGF268NF-326G	326 Lb	Green



**Canister Guns, Hoses & Accessories**



- For use with canister adhesives
- Items sold separately

Item #	Description
FGIJC6102	12' Canister Hose
FGIJC6103	18' Canister Hose
FGIJC6104	25' Canister Hose
FGIJC6106	Adjustable Spray Gun with 6501 Tip
FGIJC6105	6501 Spray Tip for PRO HITEMP & OTCNF Canisters
FGIJC6108	9501 Spray Tip for PRO OTC Canisters
FGIJC6111	T-Fitting for 2 Lines on Jumbo Canister
FGIJC6118	Formica® Spray Tip 680



**High Temp Canister Non-Flammable Adhesive; Flammable Propellant**

**STA'-PUT**

- Can be used on many porous and non-porous surfaces where a permanent bond is required
- Quick dry time, aggressive grab tack and high green strength
- For use in flatwork applications (non-postforming)
- Similar to Helmitin 1685
- Technical Info: Open Time: 30 minutes, Dry Time: 2-5 minutes based on conditions

Item #	Color	Canister Size
STPS20038G	Red	38 lb.

A  
B  
C  
D  
E  
F  
G  
H  
I  
J  
K  
L  
M  
N  
O  
P  
Q  
R  
S  
T  
U  
V  
W  
X  
Y

A  
B  
C  
D  
E  
F  
G  
H  
I  
J  
K  
L  
M  
N  
O  
P  
Q  
R  
S  
T  
U  
V  
W  
X  
Y

**FLAMMABLE & NON-FLAMMABLE CANISTER ADHESIVES**



**P300 High Temp General Purpose Contact Adhesive**



- Non-flammable solvent contact adhesive with high heat resistance
- High strength, long-term bond
- Versatile adhesive that bonds to nearly any surface
- Fully portable system
- 2-sided application

Item #	Size	Color
QGAP300C-7L	7 Liter	Clear
QGAP300C-22L	22 Liter	Clear
QGAP300C-108L	108 Liter	Clear
QGAP300C-216L	216 Liter	Clear

Item #	Size	Color
QGAP300G-22L	22 Liter	Green
QGAP300R-22L	22 Liter	Red
QGAP300R-108L	108 Liter	Red
QGAP300R-216L	216 Liter	Red



**P302 Non-Flam High Temp Contact Adhesive**



- Non-flammable and VOC free
- Excellent high coverage
- High tack, fast drying with long open time
- Good heat resistance
- 2-sided application

Item #	Size	Color
QGAP302B-22L	22 Liter	Blue
QGAP302B-108L	108 Liter	Blue
QGAP302B-216L	216 Liter	Blue

Item #	Size	Color
QGAP302C-22L	22 Liter	Clear



**P307 CA Compliant Low VOC Contact Adhesive**



- Excellent bonding to porous surfaces
- Adheres to nearly any surface
- Good heat resistance
- Low VOC California Compliant
- High strength, long-term bond

Item #	Size	Color
QGAP307C-7L	7 Liter	Clear
QGAP307C-22L	22 Liter	Clear
QGAP307C-108L	108 Liter	Clear

Item #	Size	Color
QGAP307R-22L	22 Liter	Red
QGAP307R-108L	108 Liter	Red



**P313 Low VOC Pebble Spray Contact Adhesive**



- Post-formable
- Lower profile spray reduces telegraphing
- HAPS free
- No ODS (Ozone Depleting Substances)
- OTC Compliant

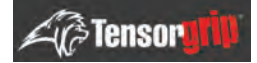
Item #	Size	Color
QGAP313R-22L	22 Liter	Red

## TENSOR GRIP ADHESIVE ACCESSORIES



### M120 Adjustable Spray Gun

- Heavy duty and built to last through steady industrial use
- Compatible with all Tensor spray tips and suitable for every industry



Item #	Description
QGAM120	Adjustable Spray Gun



### M125 Wand Spray Gun

- Extend your reach and cut down on application time with a wide fan web spray
- Suitable for most web spray products
- Best for applications where bending over or reaching is required



Item #	Description
QGAM125	18" Wand Spray Gun



### M130 Flexible Rubber Hose

- Standard rubber hose is designed for use in heavy industrial situations
- Maintains excellent flexibility and durability even through rigorous daily use



Item #	Description
QGAM130-12	12' Flexible Rubber Hose
QGAM130-18	18' Flexible Rubber Hose
QGAM130-25	25' Flexible Rubber Hose



### M180 White Flexible Hose

- Designed specifically for Zero-Flam technology products



Item #	Description
QGAM180-12	12' White Flexible Hose
QGAM180-18	18' White Flexible Hose
QGAM180-25	25' White Flexible Hose



### Spray Tips & Splitters



Item #	Description
1	QGAM300 Canister Splitter Valve
2	QGAM201 Ultimate Brass 60° Spray Tip
3	QGA11001B Brass Spray Tip
4	QGA110015B Brass Spray Tip (G67)
5	QGA6501B Brass Spray Tip 65° (Not pictured)
6	QGA9501B Brass Spray Tip 95° (Not pictured)

**A SOLVENTS / CLEANERS / REDUCERS**

B  
C  
D  
E  
F  
G  
H  
I  
J  
K  
L  
M  
N  
O  
P  
Q  
R  
S  
T  
U  
V  
W  
X  
Y



**Flammable Solvent/Cleaner/Reducer**



- Fast drying and non-ozone depleting
- Recommended for thinning and cleaning most spray adhesives
- Can also be used for cleaning brushes and rollers, and for flushing through spray lines and spray guns
- Flammable thinner/solvent should only be used with flammable adhesives

Item #	Size	Color
WRGSOLVENT-1	1 Gal	Clear
WRGSOLVENT-5	5 Gal	Clear



**Non-Flammable Solvent/Cleaner/Reducer**



- A clear non-flammable solvent recommended for thinning and cleaning most non-flammable adhesives.
- Can also be used for cleaning brushes, rollers, equipment parts and for flushing through spray lines and spray guns
- Fast drying
- Non-ozone depleting
- Contaminant free
- OTC Compliant

Item #	Size	Color
WRGSOLVENT-NF-5	5 Gal	Clear



**Flammable Solvent/Cleaner/Reducer**



- Fast drying and non-ozone depleting
- Recommended for thinning and cleaning most spray adhesives
- Also used for cleaning brushes and rollers, and for flushing through spray lines and spray guns
- Flammable thinner/solvent should only be used with flammable adhesives

Item #	Size	Color
FG689-05	5 Gal	Clear
FG689-54	55 Gal	Clear



**Non-Flammable Solvent/Cleaner/Reducer**



- A clear non-flammable solvent recommended for thinning and cleaning most non-flammable adhesives
- Can also be used for cleaning brushes, rollers, equipment parts and for flushing through spray lines and spray guns
- Fast drying
- Non-ozone depleting
- Contaminant free
- OTC Compliant

Item #	Size	Color
FG1000-05	5 Gal	Clear
FG1000-55	55 Gal	Clear

**AEROSOL CONTACT ADHESIVES**



**Premium HiTemp Aerosol Adhesive**



- Designed for professional use
- Combines ease of use with very high strength, quick tack and dry time
- High solids and high temperature

Item #	Size	Color
WRG200C-AA	15.75 oz	Clear
WRG200R-AA	15.75 oz	Red



**CAL Compliant Aerosol Adhesive**



- CAL & OTC Compliant
- Excellent adhesion to a variety of substrates including, but not limited to laminates, particle board, plywood, hardwood, leather, rubber and metal
- High solids means extended mileage
- Soft spray allows for greater control of pattern and application rates

Item #	Size	Color
WRG270C-AA	13 oz	Clear



**Spray Contact Adhesive**



- Suitable for bonding leather, cloth, cardboard, most plastics, and wood
- Bonds porous substrates while maintaining a high level of tack
- 50 state compliant
- Heat resistant up to 200° F
- Very aggressive, high tack adhesive
- High strength, long term bonding
- Single side application
- HAPS and Silicone Free

Item #	Size	Color
WR0893100910	22 oz	Clear



**Multi-Purpose Spray**



- Premium aerosol contact adhesive
- High temperature, high strength, quick dry time

Item #	Can Size	Color
FG200AA-15C	15.75 oz	Clear
FG200AA-15R	15.75 oz	Red

**A AEROSOL CONTACT ADHESIVES**

B  
C  
D  
E  
F  
G  
H  
I  
J  
K  
L  
M  
N  
O  
P  
Q  
R  
S  
T  
U  
V  
W  
X  
Y



**PG107 Permagrip Aerosol Contact Adhesive**

- High temperature, high performance contact cement
- Web spray, fast grab, excellent adhesion to a large variety of substrates



Item #	Size	Color
CBPG-107-AA	15.75 oz.	Natural

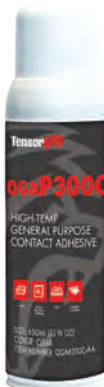


**CBA-270 Aerosol Contact Adhesive**

- OTC & Cal Compliant
- Excellent adhesion to a variety of substrates
- High solids means extended mileage
- Soft spray allows for greater control of pattern and application rates



Item #	Size	Color
CBA-270-AA	13 oz.	Natural



**P300 High Temp General Purpose Aerosol Contact Adhesive**

- Non-flammable solvent contact adhesive with high heat resistance
- High strength, long-term bond
- Versatile adhesive that bonds to nearly any surface
- Excellent Green strength
- 2-sided application



Item #	Size	Color
QGAP300C-AA	22 oz. Aerosol	Clear
QGAP300R-AA	22 oz. Aerosol	Red



**P307 CA Compliant Low VOC Contact Adhesive**

- Excellent bonding to porous surfaces
- Adheres to nearly any surface
- Good heat resistance
- Low VOC California Compliant
- High strength, long-term bond



Item #	Size	Color
QGAP307C-AA	22 oz. Aerosol	Clear

**AEROSOL CONTACT ADHESIVES**



**P322 Fast Dry Pressure Sensitive Aerosol Adhesive**



- Very fast drying
- Long lasting high tack (pressure sensitive)
- Moisture and weather-resistant bond
- Will not attack polystyrene
- No ODS (Ozone Depleting Substances)

Item #	Size	Color
QGAP322G-AA	22 oz. Aerosol	Green



**P329 CA Compliant Pressure Sensitive Aerosol Adhesive**



- California Compliant
- Low VOC
- HAPS Free
- Very aggressive, high tack adhesive
- No ODS (Ozone Depleting Substances)

Item #	Size	Color
QGAP329C-AA	22 oz. Aerosol	Clear



**G67 Water-Based Pressure Sensitive Flooring Aerosol Adhesive**



- Non-flammable water-based pressure sensitive adhesive
- Zero VOC
- California Compliant
- Excellent adhesion on most carpet tiles and LVT/LVP/VCT
- Repositionable during installation

Item #	Size	Color
QGA67W-AA	22 oz. Aerosol	White



**S101 Citrus Cleaner/Adhesive Remover**



- Cleans hoses, spray guns and other adhesive equipment
- Exceptional cleaning/degreasing power
- Pleasant citrus scent
- Safer than most comparable cleaners
- Compatible with most plastics

Item #	Size	Color
QGAS101-AA	22 oz. Aerosol	Clear
QGAS101-7L	7 Liter	Clear
QGAS101-5G	5 Gal	Clear

A  
B  
C  
D  
E  
F  
G  
H  
I  
J  
K  
L  
M  
N  
O  
P  
Q  
R  
S  
T  
U  
V  
W  
X  
Y

**AEROSOL CONTACT ADHESIVES**

A  
B  
C  
D  
E  
F  
G  
H  
I  
J  
K  
L  
M  
N  
O  
P  
Q  
R  
S  
T  
U  
V  
W  
X  
Y



**Multi-Purpose Spray Fast Drying Formula**



- High tack, high coverage and fast drying, bonds in 15 seconds
- For permanently attaching foils, carpeting, lightweight foams, paper, cardboard, felt and, cloth to painted or unpainted metals, wood and hardboard
- Low VOC, does not contain ozone-depleting CFCs

Item #	Can Size	Color
MG77	16.75 oz	Clear



**Multi-Purpose Spray High Strength, Fast Bond**



- Can be used to attach decorative laminates to wood, plastic and metal
- Permanent bond that holds firmly and dries in one minute
- Fast contact strength buildup for many decorative laminates
- Low VOC version meets CARB/OTC VOC requirements and helps contribute to LEED credits

Item #	Can Size	Color
MG90	17.6 oz	Clear
MG90-CA	19 oz	Clear



**Woodworking Spray Adhesive**



- Economical high strength, fast grabbing, industrial grade, lace spray aerosol adhesive
- Forms powerful, permanent bonds in woodworking and other applications. Bonds laminates, plastics, rubber and more

Item #	Can Size	Color
MG07861	13.8 oz	Clear



**Double Sided Tape**



- Adheres like contact cement
- Increases in strength as it cures
- Sold by the roll

Item #	Width	Length	Application
FCST1X50	1"	50'	Edgebanding
FCST1.5X50	1-1/2"	50'	Countertop Edges, Faceframes
FCST2X50	2"	50'	Faceframes
FCST6.5X50	6"	50'	Large applications of laminate, such as shelving



**EDGEbanding ADHESIVES**



**Cartridge Form, Unfilled**

- Unfilled adhesive benefits:
  - Formulated for use in Holz-Her® edgebanding machines
  - Cleaner running; glue pot stays clean longer
  - Used on a wide variety of substrates
  - Good coverage
- 48 cartridges per pack



Item #	Color	Description	Applications	Technical Info
ADJOW286.30	Natural	High heat resistance and good cold flexibility; excellent color and heat stability in the melt	Solid wood, veneer, primed HPL, PVC and resinated paper edgebands	Viscosity: 95,000 at 356°F; 70,000 at 374°F; 50,000 at 392°F Softening Point: 221 ° F Application Temperature: 356-392°F Feed Speed: 30 - 180 ft./min.



**Cartridge Form, Filled**

- Filled adhesive benefits:
  - Formulated for use in Holz-Her® edgebanding machines
  - Very good adhesion with PVC, wood and laminates
  - Good running properties
  - High bond strength
  - High coverage - most commonly used
- WO" are 45 cartridges per box; "AD" are 35 lbs. per box
- \*Items with † are available as single cartridge. Add "-1" to end of item number.



Item #	Color	Description	Applications	Technical Info
<b>Low Viscosity</b>				
WOHKP21NT WOHKP21WH†	Natural White	Specially formulated for Holz-Her® automatic edgebanding machines. The viscosity, spread and flow characteristics will not clog or block the application nozzles on the glue head	PVC, ABS, Veneer, Polyester, Melamine, Solid Wood & HPL	Viscosity: 55,000 at 392°F Softening Point: 227° F Application Temp: 392-428° F Feed Speed: 30 ft/min.
<b>Medium Viscosity</b>				
WOHKP25BK-1 WOHKP25BN† WOHKP25NT† WOHKP25WH†	Black Brown Natural White	Specially formulated for Holz-Her® automatic edgebanding machines. The viscosity, spread and flow characteristics will not clog or block the application nozzles on the glue head	PVC, ABS, Veneer, Polyester, Melamine & Solid Wood	Viscosity: 90,000 at 392°F Softening Point: 227° F Application Temp: 392-428° F Feed Speed: 40 ft/min.
<b>Medium / High Viscosity</b>				
ADJOW286.80 ADJOW286.81 ADJOW286.83	Natural White Black	Hot melt for HOLZ-HER cartridge edgebanders. Good adhesion especially to primed HPL; good color and heat stability in the melt	Suitable for primed HPL, solid wood, veneer, PVC and resinated paper edgebands	Viscosity: 110,000 at 356°F, 85,000 at 374°F, 60,000 at 392°F Softening Point: 212° F Application Temp: 356-392°F Feed Speed: 30-120 ft/min.

A  
B  
C  
D  
E  
F  
G  
H  
I  
J  
K  
L  
M  
N  
O  
P  
Q  
R  
S  
T  
U  
V  
W  
X  
Y

**A EDGEBANDING ADHESIVES**



**Thermomelt™ 100 Cartridge**



Each Thermomelt 100 cartridge has a protective film coating permanently attached, providing many benefits:

- Protects cartridges from shop dust, keeping your adhesives and machines clean and dust free
- Acts as a lubricant in the machine’s hopper, providing problem free melting and increased performance from your edgelanding
- Prevents cartridges from sticking together in storage
- Aid in cleaning/lubricating machine for use, keeping the edgelanding in top condition

**Specifications:**

- Machine types: Specially formulated for Holz-Her edgelandings; the flow will not clog or block the application nozzles on the glue head
- Bonding edges: HPL, Epoxy resin, ABS, Solid wood, Polyester, PVC and Veneer edges
- Base: EVA Copolymer
- Speed: 8 - 2-m/min., (26 - 65ft/min.) depending on machine
- Working Temp: 200 - 220°C (392 - 428°F)
- Viscosity: 65,000 mPas @ 200°C
- Sold by the box

Item #	Color	Qty per Box
WR089047825-TR	Transparent	33.7 lb. (45 Cartridges)
WR089047822-NT	Natural	33.7 lb. (45 Cartridges)



**Thermomelt™ 300 Pellet, Natural Color**



- Würth Thermomelt™ 300 edgelanding pellets are the industry’s best combination of value and performance
- Perfect choice for a variety of machines. Great bond and good post-melt capabilities
- Great for PVC, ABS and fleece backed veneer
- Transparent glue line
- Great price combined with great performance
- Packaged in 33.1 lb. boxes, no more heavy 55 lb. bags that are difficult to move and break

**Specifications:**

- Machine types: Works with standard and high speed straight edge banders
- Bonding: Polyester edges, Melamine resin edges, PVC, PP and ABS edges with pretreated back, Resin-impregnated paper and Massive and veneer edges
- Base: EVA Copolymer
- Speed: 20 - 40-m/min., (65 - 132 ft/min.) depending on machine
- Working Temp: 200 - 210°C (392 - 410°F)
- Viscosity: 65,000 mPas @ 200°C
- Sold by the box

Item #	Color	Weight per Box
WR089047742-NT	Natural	33.1 lb.

**EDGE-BANDING ADHESIVES**



**Thermomelt™ 500 Pellet, Natural Color**



- Würth Thermomelt™ 500 edging pellets is the “workhorse” line
- Superior formulation for a wide variety of uses; great bond and re-melt capabilities
- Great for PVC, ABS and fleece backed veneer; suitable for pre-coating of edges; use with HPL if primed
- Transparent glue line; also available in a variety of colors listed below
- Packaged in 33.1 lb. boxes, no more heavy 55 lb. bags that are difficult to move or break

**Specifications:**

- Machine types: Works with manual, standard and high speed auto straight edge banders, CNC processing centers
- Bonding: Polyester edges, Melamine resin edges, PVC and ABS edges, Uncompressed resin-impregnated paper banding and Solid wood, veneer and Multiply edges
- Base: EVA Copolymer
- Speed: 20 - 50-m/min., (65 - 165 ft/min.) depending on machine
- Working Temp: 200 - 210°C (392 - 410°F)
- Viscosity: 80,000 mPas @ 200°C
- Sold by the box

Item #	Color	Weight per Box
WR089047792-NT	Natural	33.1 lb.



**Thermomelt™ 200 Pellet, Transparent Color**



- No priming necessary for strip laminate - saves you time and money - the best choice for HPL applications
- Absolutely no stringing or smearing during routing
- Suitable for difficult soft forming profile with tight radius
- Transparent with a transparent glue line
- Best choice for BAZ and contour banders
- High green strength, invisible glue line, very good re-melting properties and unbreakable bond
- Packaged in 29 lb. boxes, no more heavy 55 lb. bags that are difficult to move or break

**Specifications:**

- Machine types: Works with all machine types and machining centers.
- Bonding: Polyester edges, CPL and Melamine Resin edges, PVC and ABS edges and Uncompressed resin-impregnated paper edges on machining centers.
- Base: EVA Copolymer
- Speed: 10 - 30-m/min., (32 - 98 ft/min.) depending on machine
- Working Temp: 180 - 200°C (356 - 392°F)
- Viscosity: 50,000 mPas @ 200°C
- Sold by the box

Item #	Color	Weight per Box
WR089047733-TR	Transparent	29 lb.

A  
B  
C  
D  
E  
F  
G  
H  
I  
J  
K  
L  
M  
N  
O  
P  
Q  
R  
S  
T  
U  
V  
W  
X  
Y

**A EDGEBANDING ADHESIVES**



**Pellet Form, Filled**

- Filled adhesive benefits:
  - Very good adhesion with PVC, wood and laminates
  - Good running properties
  - High bond strength and coverage
  - Most commonly used type of edgelanding adhesive
- "WO" are 55 lbs. per bag; "AD" are 44 lbs. per bag



Item #	Color	Description	Applications	Technical Info
<b>Low Viscosity</b>				
WOKS217NT	Natural	Multi-purpose hot melt recommended for granular feed or 'quick melt' glue systems; also performs well in standard glue pot setups. Very good wetting even on difficult edgelanding materials; produces tight joints. High final bond strength and high heat resistance.	Veneer, polyester, PVC, melamine, solid wood, ABS, tropical and oils veneers and laminates (i.e. teak and pine)	Viscosity: 55,000 at 392° F Softening Point: 221° F Application Temperature: 374-392° F Feed Speed: 40 ft./minute
ADJOW282.20	Natural	Low viscosity hot melt with fast melting properties, long open time and good color and heat stability in the melt.	For contour edgelanding of PVC, paper, and polyester at low application temperatures and at very slow feed speeds; also suitable for soffforming PVC edges	Viscosity: 60,000 at 266° F, 40,000 at 284° F, 30,000 at 302° F Softening Point: 194° F Application Temperature: 266-302° F Feed Speed: 15-60 ft/min.
<b>Medium Viscosity</b>				
ADJOW296.30	Natural	Very economical and excellent performance after initial melting. A medium viscosity EVA hotmelt adhesive. Good color and heat stability in the melt. Good general purpose edgelanding glue.	For edgelanding veneer, resin impregnated paper edgebands, and PVC. Good wetting and adhesion properties.	Viscosity: 120,000 at 190° F, Softening Point: Approx. 110° C (230° F) Ring & Ball Application Temperature: 190-210° C Density: 1.4 (11.5 lbs./gal.)
<b>Medium High Viscosity</b>				
ADJOW288.60	Natural	Economical and excellent performance after initial melting. Good resistance to high and low temperatures, good adhesion and good color stability in the melt.	For edgelanding veneer, solid wood, resin impregnated paper edgebands, PVC, ABS, and primed HPL. Can also be used for precoating and soffforming applications	Viscosity: 120,000 at 374° F, 90,000 at 392° F, 70,000 at 410° F Softening Point: 230° F Application Temperature: 374-410° F Feed Speed: 30-120 ft/min.
ADJOW288.61	White			
ADJOW288.63	Black			
<b>High Viscosity</b>				
WOKS208NT	Natural	Multi-purpose adhesive with fast melting properties and spread and flow characteristics that permits both standard and high feed spreads to be run without stringing. The melting characteristics of this adhesive cause less charring and oxidization in the pot and therefore result in cleaner operation.	PVC, ABS, Veneer, Polyester, Melamine	Viscosity: 130,000 at 392° F Softening Point: 230° F Application Temperature: 374-392° F Feed Speed: 50 ft./minute

**EDGEBANDING ADHESIVES**

**Pellet Form, Filled (continued)**



Item #	Color	Description	Applications	Technical Info
<b>High Viscosity</b>				
WOKS205NT	Natural	Premium grade adhesive has been modified with a rubber additive to provide an exceptionally strong and durable multi-purpose adhesive recommended for all straightline edgelanding applications. High viscosity, excellent bonding characteristics, and high heat resistance make this the ideal all-purpose edgelanding adhesive. The spread and flow characteristics permit both moderate and high speed applications to be run without stringing.	PVC, ABS, Veneer, Polyester, Melamine, Solid Wood & HPL	Viscosity: 150,000 at 392° F Softening Point: 248° F Application Temperature: 428-437° F Feed Speed: 40 ft./minute
WOKS205WH	White			
ADJOW288.50	Natural	High viscosity hot melt with high heat resistance and good cold flexibility of glue line. Excellent color and heat stability in the melt.	For solid wood, veneer, PVC and resinated paper edgelanding; also used for soffforming applications	Viscosity: 180,000 at 374° F; 130,000 at 392° F; 100,000 at 410° F Softening Point: 238° F Application Temperature: 374-412° F Feed Speed: 30-120 ft/min.

**Pellet Form, Unfilled**



Item #	Color	Description	Applications	Technical Info
<b>High Viscosity</b>				
ADJOW280.10	Natural	High viscosity hot melt with high heat resistance and good cold flexibility; excellent color and heat stability in the melt.	Suitable for solid wood, veneer, primed thermoplastic (PVC, ABS, PP), and resinated paper edgelanding; also used for soffforming applications (specially designed for BAZ and Combiformer machines).	Viscosity: 250,000 at 374° F, 170,000 at 392° F, 120,000 at 410° F Softening Point: 248° F Application Temperature: 374-410° F Feed Speed: 30-120 ft/min.

A  
B  
C  
D  
E  
F  
G  
H  
I  
J  
K  
L  
M  
N  
O  
P  
Q  
R  
S  
T  
U  
V  
W  
X  
Y

**A EDGEBANDING ADHESIVES**

B  
C  
D  
E  
F  
G  
H  
I  
J  
K  
L  
M  
N  
O  
P  
Q  
R  
S  
T  
U  
V  
W  
X  
Y



**Unfilled Edgebanding Adhesives**



- Medium viscosity hot melt with high heat resistance and good cold flexibility
- Applications: Suitable for solid wood, veneer, and primed thermoplastic (PVC, ABS, PP)
- **Technical Info:**
  - Viscosity: 95,000 at 356°F, 70,000 at 374°F, 50,000 at 392°F
  - Softening Point: 221 °F
  - Application Temperature: 356F - 392 °F
  - Feed Speed: roller application: 5-40 m/min (15-120 fpm)

Item #	Color	Weight per Bag
ADJOW280.30	Natural	44 lb



**Unfilled Clear Melt Edgebanding Adhesives**



- High viscosity hot melt high heat resistance and good cold flexibility
- Applications: Suitable for solid wood, veneer, and primed thermoplastic (PVC, ABS, PP)
- **Technical Info:**
  - Viscosity: 135,000 at 374°F, 95,000 at 392°F, 75,000 at 410°F
  - Softening Point: 221 °F
  - Application Temperature: 374-410°F
  - Feed Speed: roller application: 18-60 m/min (50-180 ft/min)

Item #	Color	Weight per Bag
ADJOW280.90	Clear	44 lb



**Medium Viscosity, Pellet Form-Filled**



- EVA (unfilled) hot melt with very high temperature resistance and high bond strength
- Recommended for veneer, melamine, polyester, PVC, ABS, HPL, and solid wood
- **Technical Info:**
  - Viscosity: 75,000
  - Softening Point: 110° C
  - Application Roller Temperature: 190 - 200° C
  - Feed Speed: 50 ft./minute

Item #	Color	Weight per Bag
WOKS351-CLR	Clear	55 lb



**Rakoll Supermelt Plus Unfilled Edgebanding Hot Melt Adhesive**



- Recommended for plastic edges, melamine, HPL, and wooden edges
- **Technical Info:**
  - Viscosity: 54,000
  - Roller Temperature: 180 - 200°C
  - Feed Speed: 12 m/min

Item #	Color	Weight per Bag
WOSUPERMELTPUS	Clear	44 lb

## EDGEBANDING ADHESIVES



### Dorus® Edgelanding Primer



- PVA (water) based dispersion product suitable for priming solid woods, high pressure laminate and other difficult-to-bond edgings
- Significantly improves adhesion characteristics, even on tropical, oily and resinous woods
- Recommended Applications: Solid Wood, Veneers, HPL

Item #	Size
WOND183-1	22 lb container (approx. 2-1/2 gal.)



### Superapid 401 Glue Pot Cleaner



- Perfect for cleaning edgelanding glue pots
- Removes residue from interior of glue pot allowing you to run at the perfect temperature
- Use as part of your regular edgelanding maintenance

Note: NOT for use with cartridge type edgelanders

Item #
ADW401

Visit us on our website: [wurthlac.com](http://wurthlac.com)

The screenshot shows the Wurth website interface. At the top, there are navigation links for 'Wurth Louis and Company', 'Large Machinery Quote', and 'Feedback'. On the right, there are links for 'Register or Apply', 'Sign in', and 'En'. The main header features the WÜRTH logo, a search bar with the placeholder 'Enter search criteria here', and a shopping cart icon showing '\$0.00'. Below the header, there is a 'Shop By Category' menu and a 'Home' link. The main content area includes a large 'SEE SAFELY' banner with images of various safety glasses. To the right, there are two promotional banners: one for 'NOW HIRING!' with an 'Apply at: wurthlac.com/careers' link, and another for 'SUPPLY CHAIN CHALLENGES? We have you COVERED.' with a 'LEARN MORE' link.

A  
B  
C  
D  
E  
F  
G  
H  
I  
J  
K  
L  
M  
N  
O  
P  
Q  
R  
S  
T  
U  
V  
W  
X  
Y

**A CONSTRUCTION ADHESIVES**

B  
C  
D  
E  
F  
G  
H  
I  
J  
K  
L  
M  
N  
O  
P  
Q  
R  
S  
T  
U  
V  
W  
X  
Y



**Industrial Strength Adhesive  
Self-Leveling**



- Exceptional adhesion to wood, metal, glass, fiberglass, masonry and concrete
- Waterproof after cure
- Can be painted to match surrounding area or to make UV-resistant
- Freeze/thaw stability: Stable
- Sold by the each

Item #	Color	Size
FW220011-1	Clear	3.7 oz



**Industrial Strength Adhesive  
Non-Slump Formula**



- Exceptional adhesion to wood, metal, glass, fiberglass, masonry, concrete, asphalt
- Won't sag, drip or run on vertical or horizontal applications
- Waterproof after cure
- Can be painted to match surrounding area or to make UV-resistant
- Freeze/thaw stability: Stable
- Sold by the each

Item #	Color	Size
FW252011-1	Clear	10.2 oz



**DYNAGRIP® Construction Adhesive, All-Purpose**



- Ideal for paneling, interior remodeling, and other interior projects
- Easy water clean-up and excellent instant grab
- Sold by the each

Item #	Color	Size
DP27501	White	10.3 oz



**CONSTRUCTION ADHESIVES**



**Titebond® Heavy Duty Construction Adhesive**



- Bonds wet, frozen and treated lumber
- Also ideal for metal, brick, concrete, ceramics and most large panel-type substrates
- Reduces the amount of nailing needed to help eliminate squeaky floors
- Freeze/thaw stability: Will not freeze

Item #	Color	Size
FR5261	Light Tan	10 oz



**Titebond® Green Choice Heavy Duty Construction Adhesive**



- Bonds wood, paneling, plywood, wet and frozen lumber, metal, plastics, polystyrene and polyurethane foams and more
- Interior and exterior use
- Provides a strong grab, fills gaps and irregularities
- Remains permanently flexible
- Cleans easily with water in wet state
- Highly-water resistant when dry
- Freeze/thaw stability: Stable

Item #	Color	Size
FR7471	Beige	10 oz



**Titebond® PROvantage Heavy Duty Construction Adhesive**



- Premium-grade formula for more demanding construction and repair projects
- Ideal for bonding wood, metal, brick, marble, ceramic tile, concrete and drywall
- Meets State and Federal VOC regulatory requirements
- Reduces the amount of nailing and can be extruded down to 0°F

Item #	Color	Size
FR5251	Brown	10 oz
FR5252	Brown	28 oz

A  
B  
C  
D  
E  
F  
G  
H  
I  
J  
K  
L  
M  
N  
O  
P  
Q  
R  
S  
T  
U  
V  
W  
X  
Y

**A ADHESIVE & LATEX CAULKS**

B  
C  
D  
E  
F  
G  
H  
I  
J  
K  
L  
M  
N  
O  
P  
Q  
R  
S  
T  
U  
V  
W  
X  
Y



**Adhesive Caulk, Kitchen & Bath**

- Cured caulk is mildew-resistant
- Freezes/thaws stability: Stable
- Cleans up with water, paintable
- Sold by the each



Item #	Color	Size
DP18001	White	5.5 oz
DP18008	Clear	5.5 oz
DP18013	Almond	5.5 oz
DP18032	White	10.1 oz



**Adhesive Caulk, Vinyl All Purpose**

- Mildew and rust resistant; waterproof seal
- Freezes/thaws stability: Stable
- Paintable after approximately 1 hour
- Sold by the each



Item #	Color	Size
DP102-AM	Almond	10.3 oz
DP102-TR	Translucent	10.3 oz
DP102-WH	White	10.3 oz



**Titebond® Painter's Plus Caulk**

- Designed for interior and exterior applications
- Ideal for back filling trim, repairing cracks and sealing joints
- Mildew-resistant watertight seal
- Cleans up with water; no residual odor
- Freezes/thaws stability: Stable
- Highly flexible and offers smooth bead
- Paintable after approximately 2-4 hours
- Sold by the each



Item #	Color	Size	Item #	Color	Size
FR8301	White	10.1 oz	FR8331	Clear	10.1 oz
FR8311	Almond	10.1 oz	FR8341	Gray	10.1 oz
FR8321	Brown	10.1 oz	FR8351	Woodtone	10.1 oz



**Acrylic Latex Caulk, Plus Silicone, Low VOC**

- Bonds to wood, brick, glass, metal, plaster, drywall and painted surfaces
- Paintable after approximately 2 hours (fast dry approx. 40 minutes)
- Cured caulk is mildew resistant
- Freezes/thaws stability: Stable
- Water clean-up
- Sold by the each



Item #	Color	Size
DP18101	White	10.1 oz
DP18071	Clear	10.1 oz
DP18172	Antique White	10.1 oz

**35 year  
Durability  
Guarantee**

**LATEX CAULKS & SEALANTS**



**Latex Sealant, Low VOC**

- Ideal for caulking and sealing windows and doors, moldings, baseboards, butt and corner joints, and other gaps and cracks
- Paintable after approximately 2-4 hours
- Cured sealant is mold & mildew resistant
- Easy water clean-up; low odor
- Freeze/thaw stability: Stable
- Sold by the each



Item #	Color	Size
DP18275	White	10.1 oz



**Titebond® Silicone Sealant**

- Ideal for both interior and exterior applications, excellent adhesion to various construction materials including vinyl, aluminum, brick, glass and painted surfaces
- Use on construction, remodeling and repair projects - doors, windows, siding, vents, tubs, sinks and more!
- Withstands extreme temperature changes
- Not paintable; paint surfaces before sealing
- Freeze/thaw stability : Will not freeze



Item #	Color	Size
FR2601	White	10.1 oz
FR2611	Clear	10.1 oz
FR2621	Almond	10.1 oz



**Silicone Sealant, 100% Silicone**

- Adheres to glass, ceramic, fiberglass, porcelain, non-oily woods, canvas, most metals and plastics and painted surfaces
- All purpose indoor/outdoor use
- Not paintable; paint surfaces before sealing
- Freeze/thaw stability: Stable
- Sold by the each



**50 year  
Durability  
Guarantee**

Item #	Color	Size
DP08646	White	10.1 oz
DP08641	Clear	10.1 oz
DP08642	Black	10.1 oz
DP08643	Aluminum	10.1 oz
DP08649	Almond	10.1 oz

A  
B  
C  
D  
E  
F  
G  
H  
I  
J  
K  
L  
M  
N  
O  
P  
Q  
R  
S  
T  
U  
V  
W  
X  
Y

**A SILICONE SEALANTS / GLAZE COATS**

B  
C  
D  
E  
F  
G  
H  
I  
J  
K  
L  
M  
N  
O  
P  
Q  
R  
S  
T  
U  
V  
W  
X  
Y



**Silicone Rubber Sealant, Premium**

- Premium quality, 100% silicone rubber sealant that provides outstanding durability and flexibility for a long-lasting, 100% waterproof and weatherproof seal
- Shrink and crack proof
- Can be exposed to water after only 30 minutes without washing out
- Cured sealant is mold and mildew resistant
- Low in odor
- Interior/exterior use
- Sold by the each



Item #	Color	Size
DP08771	Clear	10.8 oz



**Fast 'N Final Lightweight Spackling**

- A lightweight spackling that lets you patch and prime in one easy step
- Dries fast
- No need for sanding or priming
- Paint in minutes
- Interior and exterior use
- Ideal for small repairs, cracks and dents in drywall, plaster, wood and stucco
- Sold by the quart or gallon



Item #	Size
DP12142	1 Quart
DP12143	1 Gallon



**Glaze Coat**

- Ultra-clear, high gloss pour-on finishing epoxy
- Can be used on most surfaces- rough or smooth, stained or painted
- Great for coating tables or bar tops - one coat equals 70 coats of varnish
- Easy 1:1 mixing ratio
- Self-leveling - minimal spreading required
- Indoor use, resists temperatures up to 120 °F
- Sold by the each



Item #	Size
FWGLAZEcoat-PT-1	Pint
FWGLAZEcoat-QT-1	Quart
FWGLAZEcoat-GAL-1	Gallon

**TOUCH-UP STICKS**



**Softwax Blendable Wax Filler System**



- Quickly fill holes in finished woodwork
- Match nearly any surface by blending the 20 colors
- Kit includes: 20 wax sticks, wax wedge, buffing pad and carrying case
- Replacement sticks and accessories available
- Sold by the each

Item #	Description
FCWAXKT20F	20 stick kit
<b>Kit Replacement Items</b>	
FCWAXWEDGE	Replacement Wedges
FCWAXPAD	Replacement Buffing Pads



**Wood Filler Custom Blend Kit**



- Convenient carrying case holds 16 colors in 3.7 oz. jars
- Conversion chart makes matching popular stains with Color Putty easy
- Compact size (9-1/16"H x 7-7/8"W x 2-1/4"D) allows for easy storage
- Sold by the each

**Includes:**

100 White, 102 Natural, 106 Light Birch, 108 Light Oak, 110 Fruitwood, 114 Maple, 116 Butternut, 118 Cherry, 126 Br Mahogany, 124 Redwood, 130 Dark Walnut, 134 Ebony, 136 Nutmeg, 138 Pecan, 140 Briarwood, 144 Teakwood

Item #
CP9716



**Wood Filler**



- Compatible with oil-based sealers
- Not recommended for floors or tabletops
- Color Putty can be intermixed to create a blend that will match unique wood tones
- Cleans up with mineral spirits
- Sold by the each

Color/Species	3.7 oz Jar Item #	1 lb Jar Item #
White	CP100	CP100-1
Natural	CP102	CP102-1
Light Birch	CP106	CP106-1
Light Oak	CP108	CP108-1
Fruitwood	CP110	CP110-1
Maple	CP114	-
Butternut	CP116	CP116-1
Cherry	CP118	CP118-1
Honey Oak	CP122	CP122-1

Color/Species	3.7 oz Jar Item #	1 lb Jar Item #
Redwood	CP124	-
Brown Mahogany	CP126	CP126-1
Dark Walnut	CP130	CP130-1
Ebony	CP134	CP134-1
Nutmeg	CP136	CP136-1
Pecan	CP138	CP138-1
Briarwood	CP140	CP140-1
Teakwood	CP144	CP144-1

A  
B  
C  
D  
E  
F  
G  
H  
I  
J  
K  
L  
M  
N  
O  
P  
Q  
R  
S  
T  
U  
V  
W  
X  
Y

**A WOOD FILLERS, SOLVENT BASED**

B  
C  
D  
E  
F  
G  
H  
I  
J  
K  
L  
M  
N  
O  
P  
Q  
R  
S  
T  
U  
V  
W  
X  
Y



**Wood Filler**

- Solvent based
- Professional-grade, heavy duty wood filler contains real wood fibers so it looks and acts like real wood
- Can be sanded, cut, drilled, screwed, planed, stained, varnished, painted or lacquered
- Dries fast and hard providing strong nail and screw anchoring without splitting
- Ideal for repairing furniture, doors, paneling, molding, plywood, and other wood surfaces
- Sold by the each



Item #	Color/Species
DP21400	Light Oak
DP21404	Pine
DP21408	Golden Oak
DP21412	White
DP21434	Walnut
DP21502	Natural

**NOTE:** Colors above are sample swatches only. Please perform a test run before using on final product.



**Wood Filler**

- Can be stained, sawed, drilled, sanded, planed and nailed like real wood
- Quick dry and ready to use with smooth spreading and even filling of any hole or crack
- Can be painted, varnished, lacquered, stained and oiled
- Sold by the each

Color/Species	1/4 Pint (6 oz.) Item #	1 Pint (24 oz.) Item #	1 Quart Item #
Alder	FW32AD	FW8AD	FW4AD
Ash	FW32AS	FW8AS	FW4AS
Birch	FW32BI	FW8BI	FW4BI
Cedar	FW32CD	FW8CD	-
Cherry/Red Oak	FW32RO/CR	FW8RO/CR	FW4RO
Mahogany	FW32MK	FW8MK	FW4MK
Maple	FW32MP	FW8MP	FW4MP
Natural/White Pine	FW32NAT/WP	FW8NAT/WP	FW4NAT/WP
Oak	FW32OK	FW8OK	FW4OK
Pine/Fir	FW32FR/PN	FW8FR/PN	FW4FR/PN
Walnut	FW32WL	FW8WL	FW4WL
White	-	FW8WH	-
White Glaze	FW32G	-	FW4G

## FILL AND FINISH

### Fill & Finish Water Based Putty, Ready To Use

Fill & Finish is a unique water-based multi-purpose wood and grain filler and can be used to mask small or large defects.



16 oz wide mouth container for easy putty knife access!



- Accepts any pigment - water or oil based
- Does not shrink, sink, crack, or fall out
- Can be sanded easily to achieve a desired finished look
- Can be drilled, nailed, planed or sawed like ordinary wood
- Can be restored to original consistency with water
- High solid content and fast dry time
- No VOC's
- Can be used inside or outside

Color	Name	16 oz. Item #	Quart Item #
	Ash	WR0890303500	WR0890303512
	Rosewood	WR0890303501	WR0890303513
	Cherry/Alder	WR0890303502	WR0890303514
	Mahogany/Braz Cherry	WR0890303503	WR0890303515
	Maple/Beech/Pine	WR0890303504	WR0890303516
	Natural/Tint Base	WR0890303505	WR0890303517
	Red Oak	WR0890303506	WR0890303518
	Ebony	WR0890303507	WR0890303519
	Walnut	WR0890303508	WR0890303520
	White	WR0890303509	WR0890303521
	White Oak	WR0890303510	WR0890303522
	Alder	WR0890303511	WR0890303523

### Fill & Finish Powdered Grain Filler

- Same great features as Fill & Finish Wood Putty
- Simply mix with the right amount of lacquer or water for your project to achieve ideal viscosity
- Can be used for patching, grain-filling, inlay, and more

NOTE: Can be mixed with either water or oil based stains. Water based stains will dry harder.



Color	Name	6 oz. Item #	16 oz. Item #
	Ash	WR0890304500	WR0890304512
	Rosewood	WR0890304501	WR0890304513
	Cherry/Alder	WR0890304502	WR0890304514
	Mahogany/Braz Cherry	WR0890304503	WR0890304515
	Maple/Beech/Pine	WR0890304504	WR0890304516
	Natural/Tint Base	WR0890304505	WR0890304517
	Red Oak	WR0890304506	WR0890304518
	Ebony	WR0890304507	WR0890304519
	Walnut	WR0890304508	WR0890304520
	White	WR0890304509	WR0890304521
	White Oak	WR0890304510	WR0890304522
	Alder	WR0890304511	WR0890304523

A  
B  
C  
D  
E  
F  
G  
H  
I  
J  
K  
L  
M  
N  
O  
P  
Q  
R  
S  
T  
U  
V  
W  
X  
Y

**A WOOD FILLERS**

B  
C  
D  
E  
F  
G  
H  
I  
J  
K  
L  
M  
N  
O  
P  
Q  
R  
S  
T  
U  
V  
W  
X  
Y



**Wood Filler, Water Based**



- Water based wood filler has little or no impact on the environment
- Safe and easy to use, water clean-up
- Sold by the each

Species	1/4 Pint (6 oz.) Item #	1 Pint (24 oz.) Item #
Birch	FW32BIWB	FW8BIWB
Cherry/Dark Mahogany	FW32MKWB	FW8CHWB
Fir/Maple	FW32FMWB	FW8FMWB
Golden Oak	FW32GOWB	FW8GOWB
Natural	FW32NTWB	FW8NTWB
Oak	FW32OKWB	FW8OKWB
Red Oak	FW32ROWB	FW8ROWB
Walnut	FW32WLWB	FW8WLWB
White	FW32WHWB	FW8WHWB
White Pine	FW32WPNWB	FW8WPWB



**Wood-Tex® Wood Filler, Resin Based**



- Smooth application properties
- Used to repair defects in plywood, furniture, laminated beams, cabinet work and other
- Molds like putty and is consistent, uniform, waterproof and fast-setting with minimal shrinkage woodworking applications
- Made with genuine wood flour and can be sanded, stained, sawed, planed or drilled like real wood
- Sold by the pint or quart

Color/Species	1 Pint Item #	Box Qty	1 Quart Item #	Box Qty
Cherry/Dark Mahogany	LOWPCH	12	-	-
Fir/Maple	LOWPFM	12	-	-
Natural/Ash	LOWPNT	12	LOWPQNT	4
Red Oak	LOWPRO	12	LOWPQRO	4
Walnut	LOWPWL	12	-	-
White Pine	LOWPWP	12	-	-



**FILLERS**



A



B



C

**Body Fillers**

- Sold by the each



	Item #	Type	Size
A	MH00265	Original	1 Gallon
B	MH05800	Lightweight	1 Quart
C	MH05801	Lightweight	1 Gallon



A



B

**Hardeners**

- Sold by the each



	Item #	Color	Size
A	MH05830	Red	2.75 oz
B	MH20058	White	2.75 oz



A



B

**Glazing Putties**

- Sold by the each



	Item #	Type	Color	Size
A	MH00650	Glazing and Spot Putty	Red	16 oz.
B	MH05095	Acrylic Glazing Putty	White	14.5 oz.

A  
B  
C  
D  
E  
F  
G  
H  
I  
J  
K  
L  
M  
N  
O  
P  
Q  
R  
S  
T  
U  
V  
W  
X  
Y

**A LAMINATE REPAIRERS**



**SeamFil, 1 oz. Tube**



- Use to cover up unsightly seams, joints, nicks and other imperfections in laminate
- Resists moisture, detergents, and other household products as effectively as the original laminate

**NOTE: Custom mixes available Special Order**

Item #	Color
SE901	White
SE902	Gray
SE903	Dark Gray
SE904	Tan
SE913	Brown
SE914	Black
SE918	Mahogany
SE919	Pink
SE931	Maple
SE933	Teak
SE934	Gray Walnut

Item #	Color
SE935	Birch
SE936	Primary Yellow
SE937	Primary Red
SE939	Olive
SE940	Orange
SE941	Almond
SE942	Butcher-block
SE945	Spectrum Green
SE946	Spectrum Blue
SE01573	Wilsonart Frosty White
SE00756	Formica Natural Maple

Item #	Color
SE00909	Formica Black
SE00912	Formica Storm
SE00927	Formica Folkstone
SE00932	Formica Antique White
SE00949	Formica White
SE00961	Formica Fog
SE07014	Formica Colorado Slate
SE07022	Formica Natural Canvas
SE07266	Formica Cotta Stone
SE07732	Formica Butterum Granite

**SeamFil Accessories**

Item #	Description	Item #	Description
SE943	SeamFil Clear Gloss, 1 oz tube	SESF99-12	SeamFil Solvent, 1/2 Pint
SE944	SeamFil Dry Time Retarder, 1 oz tube	SESF99	SeamFil Solvent, 1 Quart



**Putty Knife**



- Specially ground and hand-polished putty knife is made under the highest specifications of any putty knife
- Will not scratch the laminate surface
- Blade is 3-1/2" long x 1-1/4" wide; handle is 4" long

Item #
SEPK



**SeamFil Kits, Woodgrain & Standard**



- Woodgrain Kit contains one each of the 12 most popular woodgrain colors in 1 oz. tubes:
- Standard Kit contains one each of the 12 most popular solid colors in 1 oz. tubes
- Each kit type includes non-scratch putty knife and 1/2 pint of SESF99-12 Seamfil solvent

Item #	Description
SEWK	Woodgrain Kit
SESK	Standard Kit

**SECTION S - TABLE OF CONTENTS**

**Section S Contents:**

Shims and Masking Tapes..... 2-3  
 Painters Tapes.....4  
 Specialty Tapes ..... 5-6  
 Packing Tapes & Stretch Film.....7  
 Furniture Pads & Dollies .....8  
 Material Handling..... 8-9  
 Paint & Stain Supplies..... 10-13  
 Material Storage/Clean Up..... 13-14  
 Toilet Paper & Brooms..... 15  
 Rags & Wipers ..... 16-17  
 Hand Sanitizers & Cleaners ..... 18-19  
 Disinfecting Wipes ..... 20  
 Cleaners..... 21-22  
 Pitch & Resin  
 Removers, Lubricants ..... 23-25  
 Safety Products Overview..... 26-27  
 Ear Protection..... 28-29  
 Eye Protection ..... 30-35  
 Respiratory Protection ..... 36-41  
 Gloves ..... 42-50  
 Protective Clothing..... 51-53  
 Knee Pads & Back Supports ..... 54  
 First Aid ..... 54-55  
 Extension Cords & Flashlights..... 56



A  
B  
C  
D  
E  
F  
G  
H  
I  
J  
K  
L  
M  
N  
O  
P  
Q  
R  
S  
T  
U  
V  
W  
X  
Y



**A SHIMS & MASKING TAPES**

B  
C  
D  
E  
F  
G  
H  
I  
J  
K  
L  
M  
N  
O  
P  
Q  
R  
S  
T  
U  
V  
W  
X  
Y



**Wood & Composite Shims**

- Packed in a “Grab & Go” style carton with a flip top lid
- Sold by the box



**Wood Shims, Kiln Dried:**

- Pine - a good all around shim that works well in most shimming applications
- Basswood (Beddar Wood) - rot resistant, easy to cut and provide an excellent snap

**Composite Shims:**

- 35% better load support, snaps 4x easier than traditional wood
- Waterproof, will not mildew or rot
- Impervious to insects
- Resists splitting, splintering, swelling, and warping

Item #	Size	Type	Box Qty
NWP8-120	8” Length	Pine	120
NWCSH8/84	8” Length	Beddar/Basswood	84
NWP8-32	8” Length	Composite	32



**3M™ Value Masking Tape 101+**

- Cost effective masking tape for indoor light-duty applications
- Crepe paper backing for easy tearing
- Provides conformability on irregular surfaces and around corners

Item #	Roll Size
MH101-3/4	18mm x 55m
MH101-1-1/2	36mm x 55m



**3M™ General Purpose Masking Tape 2050**

- Designed for use on painted walls, vinyl, carpet, metal, and plastic
- 5-day clean removal leaves behind no damage or sticky residue
- Medium adhesive

Item #	Roll Size
MH2050-3/4	18mm x 55m
MH2050-1	24mm x 55m
MH2050-1-1/2	36mm x 55m
MH2050-2	48mm x 55m



**3M™ General Purpose Masking Tape 2307**

- Easily identifiable, general purpose tape for woodworking
- Rubber adhesive offers broad tack and moderate adhesion
- Sticks quickly and holds reliably
- Crepe-paper backing conforms over irregular surfaces, contours, and around corners

Item #	Roll Size
MH2307-1	24mm x 55m
MH2307-2	48mm x 55m



## MASKING TAPES



### 3M™ General Purpose Masking Tape 203

- General purpose crepe tape provides solid coverage
- Ideal for general woodworking, MRO/Construction, paint masking and more
- Natural rubber adhesive sticks aggressively and holds confidently
- Crepe paper backing conforms to irregular surfaces and around corners

Item #	Roll Size
MH203-1	24mm x 55m
MH203-2	48mm x 55m



### 3M™ General Use Masking Tape 201+

- General use for light and medium-duty applications
- Rubber based adhesive sticks to a variety of surfaces
- Smooth and conformable crepe paper backing is easy to handle, apply and remove in one piece
- Temperature use range up to 200°F for 30 minutes

Item #	Roll Size
MH201-3/4	18mm x 55m
MH201-1	24mm x 55m
MH201-1-1/2	36mm x 55m
MH201-2	48mm x 55m



### 3M™ Performance Yellow Masking Tape 301+

- Strong yellow crepe paper backing conforms to irregular surfaces, resists bleed through of most industrial paint systems
- Temperature use range up to 225°F for 30 minutes

Item #	Roll Size
MH301-3/4	18mm x 55m
MH301-1	24mm x 55m
MH301-1-1/2	36mm x 55m
MH301-2	48mm x 55m



### 3M™ High Performance Green Masking Tape 401+

- High performance masking tape used for critical paint masking applications
- Temperature range up to 250°F for 30 minutes

Item #	Roll Size
MH401-3/4	18mm x 55m
MH401-1	24mm x 55m
MH401-1-1/2	36mm x 55m
MH401-2	48mm x 55m

A  
B  
C  
D  
E  
F  
G  
H  
I  
J  
K  
L  
M  
N  
O  
P  
Q  
R  
S  
T  
U  
V  
W  
X  
Y

**A PAINTERS TAPES**

B  
C  
D  
E  
F  
G  
H  
I  
J  
K  
L  
M  
N  
O  
P  
Q  
R  
S  
T  
U  
V  
W  
X  
Y



**Painters Tape, Indoor/Outdoor Use**



- Removes cleanly for up to 14 days
- Withstands temperatures up to 200° for 30 minutes

Item #	Roll Size
MH2090-3/4	3/4"W x 60 yds.
MH2090-1	1"W x 60 yds.
MH2090-1.41	1-1/2"W x 60 yds.
MH2090-2	2"W x 60 yds.



**Pre-Taped Painters Plastic**



- For trim, fixtures, cabinets, windows & doors and baseboards
- 14 day clean removal
- Film unfolds to 24"
- Sold in full boxes of 6 rolls only

Item #	Roll Size
MHPT2093EL-24	24" x 30 yd



**Lacquer Surface Tape**



- Green tape, specifically designed for use with or on lacquer coating
- This tape can also be used on rough, uneven or hard to stick to surfaces

Item #	Roll Size
MH2060-3/4	3/4"W x 60 yds.
MH2060-1	1"W x 60 yds.
MH2060-1.5	1-1/2"W x 60 yds.
MH2060-2	2"W x 60 yds.



**Temporary Knob/Handles, Peel & Stick Version**



- Made of .016" thick flexible PVC
- Replaces blue painter's tape as temporary knob/handle on drawers and cabinets
- Allows you to open and close doors or drawers before the handles and knobs are mounted
- Sold by the pack

Item #	Color	Pack Qty
FCTAPENIX10	White	10
FCTAPENIX100	White	100
FCTAPENIXSTICK200	White	200

**SPECIALTY TAPES**

A  
B  
C  
D  
E  
F  
G  
H  
I  
J  
K  
L  
M  
N  
O  
P  
Q  
R  
S  
T  
U  
V  
W  
X  
Y



**3M™ Double Sided Tape 9832**



- Provides excellent adhesion to a wide variety of substrates, including many foams, plastics, and felt
- Thin 0.5 mils (.01 mm) polyester film carrier adds dimensional stability and improved handling
- Used on particle board, melamine, HPL, wood, plywood, plastics and foam
- Tan 58 lb. polycoated kraft paper liner offers die cutting and converting process capability
- Temperature performance up to 250°F (121°C) for short term exposure and up to 150°F (66°C) for long term exposure
- Sold by the roll

Item #	Roll Size
MH23782	1" W x 36 yds.



**Double Sided Tape, Peel & Stick**



- Fastcap "Speed Tape" is a double sided tape that adheres like contact cement
- Double sided tape with high performance acrylic ultra bond PSA adhesive
- Apply SpeedTape to the substrate, peel off backing, then stick on the laminate or veneer and apply pressure
- Increases in strength as it cures

Item #	Roll Size	Application
FCST1X50	1" x 50'	Edgebanding
FCST1.5X50	1-1/2" x 50'	Countertop Edges, Faceframes
FCST2X50	2" x 50'	Faceframes
FCST6.5X50	6-1/2" x 50'	Large applications of laminate, such as shelving



**Professional Grade Electrical Tape**



- Aggressive rubber-resin adhesive with good aging characteristics
- Plasticized polyvinyl chloride film backing
- No flaging or deterioration even under temperatures as high as 176°F
- UL listed and CSA certified

Item #	Roll Size
WR985201	3/4"W x 20 yds.

**A SPECIALTY TAPES**

B  
C  
D  
E  
F  
G  
H  
I  
J  
K  
L  
M  
N  
O  
P  
Q  
R  
S  
T  
U  
V  
W  
X  
Y



**Silicone Tape, Self-Fusing**

- Highly resistant, self-welding silicone tape for instant repairs and sealing applications
- Water and air-tight in seconds
- Functions even on damp, oily surfaces or underwater

NOTE: Tape is not self-adhesive and is only intended for temporary repairs, not reusable.

Item #	Roll Size	Color
WR985077200-B	1" x 10'	Black
WR0985077202	1" x 10'	Transparent



**Duct Tape, Vinyl 3903**

- Rubber adhesive sticks fast and stays on many surfaces, even irregular surfaces
- Embossed vinyl backing seals out dust, dirt, and moisture, and resists abrasion and many
- Peels off cleanly after 30 minutes on painted steel as hot as 200°F (93°C)
- Easy to tear and conforms to irregular surfaces

Item #	Roll Size
MH3903-2	2"W x 50 yds.



**Duct Tape, Heavy Duty 3939**

- Ideal for heavy-duty use in MRO and construction applications
- Removes cleanly for up to one month from many opaque, non-glass surfaces when applied indoors
- Sticks immediately and stays for up to one year without deterioration when applied indoors
- Strong water-resistant backing resists wear and light abrasion
- Provides a tight, moisture-resistant seal in many containment situations
- Conforms to irregular surfaces without lifting
- Save time and hassle of removing sticky or dried-on residue

Item #	Roll Size
MH3939-2	2"W x 60 yds.





**PACKING ITEMS**



**Strapping Tape, Light Duty**



- Light-duty tensile strength, nick resistance, abrasion resistance and good handling for utility bundling, reinforcing, and pallet unitizing applications
- Sold by the roll in full box quantities

Item #	Roll Size	Box Qty
MH8934-3/4	3/4"W x 60 yds.	48 rolls
MH8934-1	1"W x 60 yds.	36 rolls



**Scotch® Box Sealing Tape**



- Securely closes a wide variety of box and carton materials, including corrugated fiberboard
- Moisture-resistant polypropylene backing resists abrasion, chemicals, and scuffing to hold strong throughout shipping
- Easily conforms around edges and on rough surfaces to provide a lasting hold

Item #	Thickness	Roll Size
MH371-2	1.8 mil	48mm x 50m
MH72330	3.43 mil	48mm x 50m
MH72331	3.43 mil	72mm x 50m
MH73076	2.2 mil	72mm x 100m

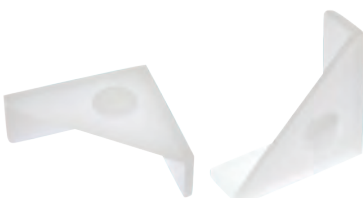


**Stretch Film**



- Sold by the roll

Item #	Description	Gauge	Box Qty
YY80G3	3" x 1,500' roll stretch film	80	16
YY80G5	5" x 1,500' roll stretch film	80	12
YY90G18	18" x 1,500' roll stretch film	90	4
YYPD	Plastic Dispenser, 3" and 5" rolls	-	1
YYPD18	Plastic Dispenser, 18" rolls	-	1



**Plastic Corner Protector**



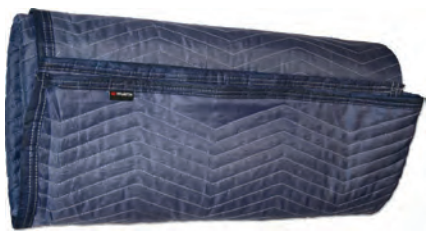
- Made of plastic
- Size: 1-1/4"W x 1-1/4"L
- Sold by the box

Item #	Description	Finish	Box Qty
BA1914-62	Plastic Corner Protector	White	1,000

A  
B  
C  
D  
E  
F  
G  
H  
I  
J  
K  
L  
M  
N  
O  
P  
Q  
R  
S  
T  
U  
V  
W  
X  
Y

**A MATERIAL HANDLING**

B  
C  
D  
E  
F  
G  
H  
I  
J  
K  
L  
M  
N  
O  
P  
Q  
R  
S  
T  
U  
V  
W  
X  
Y



**Furniture Pads**

- Premium heavy duty polyester filler with zig-zag stitching
- Woven edge for added strength



Item #	Blanket Size
WRFP9	72" x 80"



**Open Deck Dolly**

- Carpet covered ends
- Wheels are 3" non-marking polypropylene and resist chemical and water absorption



Item #	Weight Capacity	Size
WR715931002	1,000 lbs.	25-1/2" L x 15-3/4" W x 5-1/2" H



**Closed Deck Dolly**

- Solid deck design can be used with large or small items
- Wheels are 3" non-marking polypropylene and resist chemical and water absorption



Item #	Weight Capacity	Size
WR715931007	1,000 lbs.	25-1/2" L x 17-3/4" W x 5" H

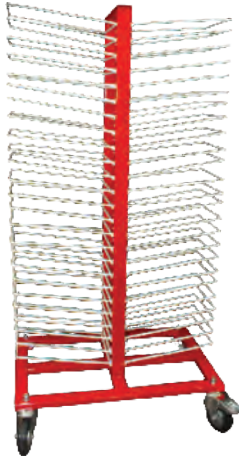


**Panel and Parts Cart**

- 2,000 pound capacity
- Perfect for large panels or make up to 12 bins for small parts
- Remove dividers to make it into a lumber cart
- Features four 6" swivel casters
- Removable vertical dividers spaced at 14" on center
- Horizontal dividers are spaced at 18" on center

Item #
SHCPC

**MATERIAL HANDLING**



**Heavy Duty Drying Rack**



- Each shelf holds up to 25 lbs. - rack total: 1,580 lb
- 4 heavy duty wheels, 2 locking, 2 non-locking
- Unit includes 1 rack, 1 base, 4 wheels and 50 shelves as well as all nuts and screws required

NOTE: must ship via truck

Item #	Dimensions
PROPR	24.41"W x 38"D x 6'3"H (approx)

A  
B  
C  
D  
E  
F  
G  
H  
I  
J  
K  
L  
M  
N  
O  
P  
Q  
R  
S  
T  
U  
V  
W  
X  
Y



**Speed Skate Sheet Dolly**



- Allows the movement of heavy materials by one person
- Easily supports a 4' x 8' sheet of material up to a width of 1-3/4"

Item #	Weight Capacity
FCSPEEDSKATE	500 lbs.



**Clip N Roll**



- Designed to move heavy sheets of granite or other materials in tight quarters and narrow hallways
- Heavy duty ball bearing polyurethane wheels and heavy duty steel axle
- Spring clips expand to accept material up to 1-1/4" thick and hold it in place
- Built-in kickstand

Item #	Weight Capacity
FCCLIPNROLL	500 lbs.



**Handle on Demand Suction Cup Handles**



- Easy suction lock via lever press down
- Carry countertops, glass, wood, cabinets and more

Item #	Style	Weight Capacity
FCHODSNGL	Single	100 lbs.
FCHODDBL	Double	200 lbs.

**A BRUSHES & ROLLERS**



**Acid & Flux Horsehair Brushes**

- Horsehair Fill
- Tin ferrule

Item #	Width	Length
WNSSF190927	5/16"	5-3/4"
WNSSF249921	1/2"	5-3/4"



**Chip Brushes**

- 100% White China bristle
- Single Thick
- Wood handle
- Individually wrapped
- For all paints
- Sold by the each



Item #	Width	Length	Thickness	Item #	Width	Length	Thickness
AB10005	1/2"	1-3/4"	1/4"	AB10020	2"	1-3/4"	5/16"
AB10010	1"	1-3/4"	5/16"	AB10025	2-1/2"	1-3/4"	3/8"
AB10015	1-1/2"	1-3/4"	5/16"	AB10030	3"	1-3/4"	3/8"



**Foam Brushes**

- Premium high-density, closed-cell foam
- Round sanded wood handle
- For all paints, varnishes, and stains
- Not for shellacs or laquers
- Sold by the each

Item #	Size
YYZPFB-1	1"
YYZPFB-2	2"
YYZPFB-3	3"
YYZPFB-4	4"



**Paint Tray and Liner**

- Sold by the each

	Item #	Description
A	WBR402	1 Quart Metal Tray with Ladder Legs
B	WBR406	Paint Tray Liner, Solvent Resistant



**Roller Cover**

- Shed resistant mohair fabric for smooth surfaces
- Designed for enamels, urethanes, varnishes, and epoxies for smooth finishes
- Sold by the each

Item #	Description	Size
WBR245-9	Roller Cover	9"



**Roller Frame and Cover**

- Mohair Roller Cover on Wire Handle
- 1/4" Nap
- For smooth surfaces
- Sold by the each

Item #	Description	Size
WBR172	Roller Frame with Cover	3"
WBR245-3IN	Replacement Roller Cover, 2 pk	3"



**Roller Frame**



- Good quality standard roller frame
- 5-wire Cage Frame with Metal Ferrule
- Threaded handle for use with extension poles
- Sold by the each

Item #	Description	Size
WBR030-9	Roller Frame	9"



**FINISHING SUPPLIES**



**Cone Paint Strainers**

- “No touch” contamination-free storage and dispensing of cone strainers
- Triple-cleaned mesh assures highest level of filter purity
- Sold by the pack



Item #	Type	Pack Qty
APWGER010714R	Fine	250



**Paint Strainer Bags**

- Elastic-top paint strainer bag for straining all types of paints and stains
- Bag strainers have double stitched edges and are made of polyester
- Sold by the each



Item #	Size
PSS368-415	1 Gallon
PSS368-423	5 Gallon



**Tack Cloth**

- Use on metal, plastic, fiberglass and wood
- Use for cleanup just before painting to remove dirt, lint, dust and sanding particles
- Reusable; non-toxic



Item #	Cloth Size
MHTC	17"W x 36"L



**Tack Cloth**

- Anti-static cloth prepares a smooth, blemish-free finish by removing dust and fine particles
- Excellent for cleaning after sanding and before painting on virtually any surface
- Sold by the each



Item #	Cloth Size
PSS368-704	18" x 36"



**Stain Pad**

- Ideal for applying stain to any surface without drips or blemishes
- Sponge with terry cloth covering
- Sold by the each



Item #
PSS368-597

A  
B  
C  
D  
E  
F  
G  
H  
I  
J  
K  
L  
M  
N  
O  
P  
Q  
R  
S  
T  
U  
V  
W  
X  
Y

**A FINISHING SUPPLIES**

B  
C  
D  
E  
F  
G  
H  
I  
J  
K  
L  
M  
N  
O  
P  
Q  
R  
S  
T  
U  
V  
W  
X  
Y



**Euro Finishing Clips**



- Clips attach to the cabinet doors via the hinge cup hole
- 40 lb. per clip capacity spring steel
- Spray both sides of the door at once by hanging it vertically, cuts finishing time in half
- Sold by the pack

Item #	Pack Qty
FCEFC	4 Clips
FCEFCBULK	100 Clips



**Masking Paper, General Purpose**



- Formulated for water based materials, latex, plaster, drywall textures and enamel
- Use to mask off large areas in preparation for spraying
- Test before use
- 12 per case; sold by the individual roll

Item #	Roll Size
PSS326-629	6" x 180'
PSS326-637	9" x 180'
PSS326-645	12" x 180'



**Masking Paper, Premium**



- Use to protect windows, trim, railings, etc from paint drips and overspray
- Designed to minimize bleed-through

Item #	Size
MA77403	9" x 60 yd
MA77399	12" x 60 yd



**Cabinet Armor Cabinet Protection**



- The easiest and most cost-effective way to protect cabinetry, casework, and countertops from dirt, dust, scratches, dents, gouges, paint overspray, water, etc
- Made of ultrasonically fused layer of 6 sheets of polypropylene
- Easy to install by one person
- Perforated every 12", no need to cut, no tools needed
- Made in the USA and 100% Recyclable
- Private label rolls available
- Sold by the roll

Item #	Roll Size
CA3260	32"W x 60'L

NOTE: Cabinet Armor protection adhesive strip should always be tested on all finishes to be sure there are no effects. 30 day maximum usage. Do not use on surfaces that have been cleaned with a chemical agent.

**MATERIAL STORAGE**



**Mixing Cups**



- Safe for use with all paints, pastes, and adhesives
- Container bottom is flat for easy mixing
- Made from high density polyethylene
- Solvent resistant
- Lids sold separately (pint and quart cups use same lid item #)
- Sold by the each

Size	Cup Item #	Lid Item #
8 oz	PSS150-758	-
1 Pint	PSS150-760	PSS150797
1 Quart	PSS267-419	PSS150797
2.5 Quart	PSS267-427	PSS150-805
5 Quart	PSS267-435	PSS150-813

A  
B  
C  
D  
E  
F  
G  
H  
I  
J  
K  
L  
M  
N  
O  
P  
Q  
R  
S  
T  
U  
V  
W  
X  
Y



**Metal Cans and Lids**

- Sold by the each

Item #	Description	Lined
<b>Pint Size</b>		
INDC185US	Can	Yes
INDC285US	Lid	Yes
<b>Quart Size</b>		
USC12167-40	Can	Yes
USC12201-40	Lid	Yes
INDC150	Can w/Lid	No
<b>Gallon Size</b>		
USC11581-40	Can	Yes
USC12206-40	Lid	Yes
USC12188-40	Metal Bail Handle	-
INDCO50US	Can w/Lid	No
<b>5 Gallon Size</b>		
USC20111	Can	Yes
USC20112	Lid	Yes

**A MATERIAL STORAGE / CLEAN-UP**



**Flammable Storage Safety Cabinets Self Closing**



- Units conform to NFPA code 30 and OSHA 29 CFR 1910.106 and are FM approved
- Sturdy all welded double wall steel construction
- 60 & 90 gallon models have internal 16 gauge reinforcements
- 2" wide louvers support shelves, adjustable on 4" centers
- 2" Deep leak proof sump
- Improved security with recessed lockable paddle latch and 3 point locking system
- 2" Bunged air vents with flame arrestors on each side of the cabinet allows for ventilation
- Extra shelves available

NOTE: Products ship direct from El Paso TX., **Customer pays freight.** 12 Gallon and 30 Gallon cabinets can be shipped 2 to a pallet. All other sizes come 1 to a pallet.

**Cabinets are required by OSHA and UFC in commercial and industrial facilities where flammable liquids are used and stored.**

Item #	Description	Shelves	Weight
<b>Safety Cabinets</b>			
WR9579-3961	30 Gallon, 43" x 18" x 45-3/8"	1	229 lbs.
WR9579-2961	45 Gallon, 43" x 18" x 66-3/8"	2	375 lbs.
WR9579-4961	60 Gallon, 34" x 34" x 66-3/8"	2	415 lbs.
WR9579-5961	90 Gallon, 43" x 34" x 66-3/8"	2	505 lbs.



**Absorb Universal Absorbent**



- 100% Organic - Non-abrasive, non-carcinogenic, universal absorbent ideal for spill management
- Small carbon footprint - Würth Absorb is a waste byproduct made from the coconut husk
- Universal - Absorbs fluids of all viscosities (including light acids and caustics)
- Lowers Disposal Costs - Significantly reduces the weight of disposed material and reduces the need for hazardous waste management
- Absorbs Upon Contact - Quick, easy-to-use, and effective in decreasing slips and falls
- Light Weight Super Absorbent - Absorbs up to 20x more than other leading absorbents
- Approved by the EPA for use in disaster response and spill clean-up

Item #	Size
WR0890670020	4 lb. bag

**ECO LINE**

**Reduce waste and increase productivity!**  
**Würth Absorb absorbs 20 times more than traditional absorbent clays and powders.**



**JANITORIAL SUPPLIES**



WNSHY181452



WNSHY181445

**Hand Towel Rolls and Dispenser**



- Embossed texture provides maximum absorbency
- 181445: 100% recycled fiber and minimum 20% post-consumer fibers
- ECOLOGO® certified and compostable
- Dispenser: see-through front allows quick and easy service checks
- Low maintenance, high-impact flame retardant, chemical-resistant, rigid vinyl plastic construction
- Measures 10.5"W x 8.8"D x 15.8"H

Item #	Description
WNSHY181445	White, 800 ft. (6 rolls/case)
WNSHY181452	Dispenser



WNSSF17356

**Jumbo Roll Toilet Tissue & Dispenser**



- Larger rolls last longer and save money
- Tissue: white, 2-ply, 3.9" wide, 9" rolls
- Dispenser: full swing cover allows easy changes
- Accepts all jumbo rolls
- Slim design uses minimal space
- Dual Roll Dispenser: holds two 9" rolls, allowing even less frequent filling

**1,000' of Tissue per Roll**



WNSSF25211

Item #	Description
WNSSF17355	Toilet Tissue (12 rolls/case)
WNSSF17356	Single Roll Dispenser
WNSSF25211	Dual Roll Dispenser



WNSJA17506



WNSJA17517



WNSJA17528

**Brushes & Brooms**



- Brooms and handles sold separately

Item #	Block Size	Application	Description
<b>Floor Brushes</b>			
WNSJA17505	18"	Fine Sweeping	Synthetic Fill, Flagged
WNSJA17506	24"	Fine Sweeping	Synthetic Fill, Flagged
WNSJA17507	18"	Medium Sweeping	Black Tampico
WNSJA17508	24"	Medium Sweeping	Black Tampico
<b>60" Handle</b>			
WNSJA17517	Handle Only		Threaded Plastic Tip, 15/16" x 60"
<b>Bench &amp; Counter Brushes</b>			
WNSJA17528	Fine Brushing		8" Horsehair
WNSJA17529	Medium Brushing		8" Tampico

A  
B  
C  
D  
E  
F  
G  
H  
I  
J  
K  
L  
M  
N  
O  
P  
Q  
R  
S  
T  
U  
V  
W  
X  
Y

**A RAGS**

B  
C  
D  
E  
F  
G  
H  
I  
J  
K  
L  
M  
N  
O  
P  
Q  
R  
S  
T  
U  
V  
W  
X  
Y



**White Cotton Knit Rags  
New Material**



- Washed, bleached and processed for absorbency
- Usable size of 12" x 12" and up
- Use for staining, painting, cleaning and more

Item #	Color	Box Size	With Punchout	With Perforated Handles
WR0899800300	White	#5	Yes	No
WR0899800301	White	#10	Yes	No
WR0899800302	White	#25	Yes	Yes
WR0899800303	White	#50	No	No



**White Cotton Knit Rags  
Recycled/Reclaimed Material**



- Washed, bleached and processed for absorbency
- Usable size of 12" x 12" and up
- Use for staining, painting, cleaning and more

Item #	Color	Box Size	With Punchout	With Perforated Handles
WR0899800401	White	#5	Yes	No
WR0899800402	White	#10	Yes	No
WR0899800403	White	#25	Yes	Yes



**Gray Cotton Knit Rags, New Material**



- Cotton knits are washed and processed for absorbency
- Usable size of 12" x 12" and up
- Use for painting, cleaning and more

Item #	Color	Box Size	With Punchout	With Perforated Handles
WR0899800304	Mostly Gray, some stripes or prints	#5	Yes	No
WR0899800305	Mostly Gray, some stripes or prints	#10	Yes	No
WR0899800306	Mostly Gray, some stripes or prints	#25	Yes	Yes



**Colored Fleece/Sweatshirt Rags  
Recycled/Reclaimed Material**



- Recycled (reclaimed) washed cotton knit material
- Usable size of 12" x 12" and up
- Use for cleaning and other shop applications

Item #	Color	Box Size	With Punchout	With Perforated Handles
WR0899800404	Varies	#25	Yes	Yes

**RAGS & WIPERS**



**White T-Shirt Rags, Reclaimed**



- All white, knit, recycled cloth t-shirt material
- All-purpose wiping, cleaning, and polishing cloth
- Practically lint-free
- Ideal for general cleaning, paint spills & cleanup, staining & varnishing

Item #	Color	Box Size	With Punchout	With Perforated Handles
YYRAG8	White	8#	No	Yes
YYRAG25	White	25#	Yes	Yes
YYRAG50	White	50#	Yes	Yes



**White Sheeting Rags**



- Absorbent, low-linting, smooth cloth
- Cut in useable-sized pieces
- Ideal for paint and industrial job applications

Item #	Color	Box Size	With Punchout	With Perforated Handles
YYSHEET25	White	25#	Yes	Yes



WNSSF30871

**Industrial Wipers**



- All wipers, except item# 30872, are made of bonded cellulose to absorb water, grease, oil, and more
- Item# 30872 is scrim reinforced to provide maximum strength and durability, even when wet
- **Light duty wipers** are perfect for general purpose use
- Soft enough to use on your face and hands, but rugged enough to get the job done
- **Medium duty wipers** are perfect for routine maintenance and cleaning
- Easily removes dirt and grime from your face and hands
- **Heavy-duty wipers** are designed to replace shop towels and rags in heavy-duty applications
- Durable, low-linting wipers offer excellent absorbency to handle the toughest spills and clean-up tasks

\*NOTE: Sold in bag, not pop-up box

Item #	Description	Color	Wipes/Pkg
WNSSF30870	Light Duty, 9" x 17"	White	100
WNSF30867	Medum Duty, 12" x 13"	White	76*
WNSSF30868	Medium Duty, 9" x 17"	White	100
WNSSF30871	Heavy-Duty, 9" x 17"	Blue	50
WNSSF30872	Heavy Scrim, 9" x 17"	White	150
WNSSF30866	General Purpose, 9" x 17"	White	90

**Tackle all your jobs from general purpose cleaning to deep down scrubbing**

A  
B  
C  
D  
E  
F  
G  
H  
I  
J  
K  
L  
M  
N  
O  
P  
Q  
R  
S  
T  
U  
V  
W  
X  
Y

**A HAND SANITIZER**

**LEMYN ORGANICS™ It's What's Inside that Really Counts**

Lemyn Organics™ Medical-Grade Hand Sanitizer Gel takes waterless washing to a whole new level. Our completely clean, no-rinse, residue-free formula exceeds FDA, CDC and WHO standards for effectively killing germs while remaining safe for sensitive skin. Effective. Fast-Drying. Never sticky. Deeply hydrating waterless wash. Perfect for daily use. A lot of benefits in an easy-to-use bottle with our signature punchy citrus label. It's everything you've wanted, without the fluff, hype and confusion that comes with navigating the crowded cleansing market.

**Convenient Sizes for everyday use.**



**12 fl.oz.**  
HSLEMYNGEL-12OZ

**8 fl.oz.**  
HSLEMYNGEL-8OZ  
**8 fl.oz. with Pump**  
HSLEMYNGELP-8OZ

**2 fl.oz.**  
HSLEMYNGEL-2OZ  
(sold as a 3 pack)

**Proven. Effective.**

- 99.9999% effective against many illness-causing germs in 15 seconds
- 70% USDA Organic, plant-based alcohol – the highest grade
- Available with the least impurities (US Pharmaceutical Grade)
- Safe for even the most sensitive skin – kids included

**Clean. Green.**

- All Natural & Organic formula- No dyes or synthetic fragrances, ever
- PETA-Certified Vegan & Cruelty Free; Gluten-Free and Non-Toxic
- Never sticky, leaves hands feeling clean, silky smooth & refreshed

**Hard-working. Hydrating.**

- Professional-grade for a fast & effective clean
- Enriched with skin-loving moisturizers & fatty acids- ideal for frequent use
- pH-balanced to maintain skin's health & vitality

**THE 99.9999% DIFFERENCE**



Common  
Hand Sanitizers  
99.9%



Leading  
Hand Sanitizers  
99.99%



Lemyn Organics™  
Hand Sanitizers  
99.9999%

**Full Ingredients List:** Water (Aqua), Glycerin\* (plant based), Aloe Barbadensis Leaf Extract\*, Sodium Hyaluronate, Simmondsia Chinensis (Jojoba) Seed Oil\*, Persea Gratissima (Avocado) Oil\*, Symphytum Officinale Root Extract\*, Helianthus Annuus (Sunflower) Seed Oil\*, Panthenol, Tocopheryl Acetate, Citrus Aurantium Dulcis (Orange) Peel Oil, Carbomer, Citric Acid, Aminomethyl Propanol  
\*Organic

**HAND CLEANERS**



**Hand Cleaner, Citrus Based**



- Solvent free
- Dispenser allows automatic contactless dispensing via integrated sensor
- Includes: 8 batteries, fixing materials and operating instructions

Item #	Description
WR89393402	Hand Cleaner Only, 3 liters
WR891935	Dispenser Only, No Touch



**PX3 Plus Hand Cleaner  
Silicone & Solvent Free**



- For extreme soiling such as paints, inks, adhesives, lacquers and sealants
- No greasy residue

Item #
WR0893901001



**Hand Cleaner, Citrus Based**



- Hand cleaner contains pumice for thorough cleaning, Dermatol<sup>®</sup> for skin protection in a citrus based formula
- Optional pressure pump is designed to integrate with container and provides easy single use dispensing

Item #	Description
WR893900	Hand Cleaner Only, 1.056 Gal
WR8919011	Pressure Pump
WR8919002	Wall Bracket



**Universal Cleaning Wipes  
Solvent & VOC Free**



- Contains 90, perforated, pop-up towels saturated with a special, heavy-duty cleaning solution
- Very effectively dissolves grease, grime, oil, lubricants, paints, tar, inks and more
- 90 wipes per container

Item #
WR890900

A  
B  
C  
D  
E  
F  
G  
H  
I  
J  
K  
L  
M  
N  
O  
P  
Q  
R  
S  
T  
U  
V  
W  
X  
Y

**A DEODORIZERS & DISINFECTING WIPES**

B  
C  
D  
E  
F  
G  
H  
I  
J  
K  
L  
M  
N  
O  
P  
Q  
R  
S  
T  
U  
V  
W  
X  
Y



**Eco Friendly Odor Eliminator and Deodorizer**



- Eliminates even the toughest smells, rapidly breaks down bad odor molecules
- Works on both soft and hard surfaces

Item #	Scent	Size
WR893139401	Kiwi-Mango	16 fl. oz.



**Clorox® Disinfecting Wipes**

- 2x the cleaning power compared to a wet paper towel
- 40% thicker than other wipes
- Each wipe can kill 99.9% of viruses and bacteria including Human Coronavirus, Influenza A2 Virus and more
- Safe for use on a variety of hard and nonporous surfaces including finished hardwood, sealed granite and stainless steel
- Disinfect and deodorize with fresh scented wipes for a bleach-free, all-in-one cleaning alternative
- 75 wipes per tube, sold in multiples of 6 each

Item #
KNCLOROXDW-75



**ProSpray Disinfecting Wipes**



- So safe it is EPA approved for use without gloves
- Reduces exposure to damaging solvents present in other disinfectants
- Alcohol-free, ammonium-free and bleach-free
- Kills 99.9% of viruses and bacteria in 3 minutes
- 240 wipes per tube

Item #
MDGPSWC-240



**Monk™ Disinfecting Wipes**

- One-step disinfectant and deodorizer
- Free of bleach, alcohol and phenol
- Strong wipe for heavy duty cleaning
- Safe to use on everyday surfaces
- Cleans, disinfects and deodorizes -killing 99.9% of bacteria on hard, nonporous surfaces

Item #	Description
WRMONK-80	80 Count Container
WRMONK-800	800 Count Tub
WRMONK-800BAG	800 Count Tub Refill Bag

**KILLS 99.9% OF BACTERIA IN 15 SECONDS**

**DISINFECTANT & CLEANERS**

A  
B  
C  
D  
E  
F  
G  
H  
I  
J  
K  
L  
M  
N  
O  
P  
Q  
R  
S  
T  
U  
V  
W  
X  
Y



**ProSpray Disinfectant**



- Water based broad spectrum antimicrobial disinfectant and cleaner
- EPA Registered and approved for use without gloves
- Kills 99.9% of viruses and bacteria in 1 minute
- Preferred for a wide variety of surfaces including vinyl, metals, plastics, etc.
- Sustained antimicrobial action after application which is not found with alcohol or bleach compounds

Item #	Size
MDGPSC240-24OZ	24 oz (in trigger spray bottle)
MDGPSC128-1GAL	1 Gallon
MDGPSC050-5GAL	5 Gallon w/spigot



**Citrus Cleaner**



- Citrus scent
- Fast drying and minimal residue
- Non-corrosive
- pH: 11.5

Item #	Can Size
WRGCITRUS	13 fl. oz.



**Glass Cleaner**



- Streak proof formula is safe for use on glass surfaces and plastics.
- Foam clings to surface for greater cleaning power
- Ammonia free

Item #	Can Size
WR0890925	19 fl. oz.



**SEE PAGE S-16 – S-17  
FOR RAGS AND WIPERS**



**A CLEANERS**

B  
C  
D  
E  
F  
G  
H  
I  
J  
K  
L  
M  
N  
O  
P  
Q  
R  
S  
T  
U  
V  
W  
X  
Y



**Industrial Degreaser Concentrate, Eco Friendly**



- Ideal for every cleaning job including floors, walls, woodwork, machinery, engines, porcelain, plastics, light fixtures, desks, cabinets, stainless steel, autos, and truck washing
- No VOCs and Biodegradable, non-flammable
- Non-hazardous, phosphate free, free rinsing
- Mix Ratio: 1:60 - Floor Scrubbing Machines; 1:40 - Light Cleaning; 1:20 - General Cleaning; 1:10 - Heavy Duty Cleaning

Item #	Description
WR893117103	1 Gal
WR891501211	Empty Trigger Bottle



**Eco Super Spray All, Eco Friendly**



- Highly effective multi-purpose cleaner that quickly and easily removes a variety of dirt, grease, and general soils
- Ideal for use on any hard washable hard surfaces, including: vinyl, painted metal, porcelain, fiberglass, and plastic
- Meets all low VOC requirements; 50 state compliant

Item #	Size
WR0890909	33 fl.oz
WR89090904	1 Gallon
WR890909020	5 Gallon



**Multi-Purpose Cleaner, Eco Friendly**



- Just spray on and wipe off. For use on all hard, washable surfaces not harmed by water, e.g. - walls, floors, siding, porcelain, counter tops, stainless steel, asphalt, etc.
- Biodegradable, No VOCs and phosphate-free
- Non-flammable
- pH: 11.5

Item #	Size
WR890011011	33 fl. oz.



**Graffiti Remover**



- An environmentally friendly alternative to solvent-based vandalism mark removers
- Ready-to-use formula is solvent free and completely biodegradable
- Made from 100% sustainable resources
- Non-flammable, Non-fuming and Fast Acting
- Ideal for brick, concrete, tiles, marble, enameled surfaces, and for removing rubber marks

Item #	Size
WR089313550	16.9 fl. Oz



**RESIN REMOVER & LUBRICANTS**



**Pitch & Resin Remover, Eco Friendly**



- Designed to quickly dissolve and emulsify pitch resin, oil, grease film, gum and varnish from abrasive belts, blades and bits
- Wide belts are almost always loaded before they are worn out and usually just a small part of the belt is packed, leaving them useless - now you can get up to 10 times the life out of your abrasives

Item #	Size
WR0893011201	1 Qt., Ready to Use
WR0893011135	1 Gal, 1:10 Dilution



**Laminate Lubricant**



- Specially formulated for use with plastic laminates
- Leaves a protective coating that will shield plastic laminates from burns and scratches caused by self-piloting router bits
- Trim laminate easily and effectively, reduces burning and will not scratch
- Protects from rust
- Silicone-free

Item #	Size
WRGLAMLUBE-AA	10.5 Oz



**Lami-Lube**



- Spray on lubricant for routing all types of plastic laminates
- Prevents burns and scratches caused by self-piloting bits
- Will hide and aid in preventing minor scratches on laminates
- Silicone free version will not interfere with finishing - no fish eyes!

Item #	Size	Silicone Free
YYLAMI	10.5 fl. oz.	No
YYLAMI2	10.5 fl. oz.	Yes



**Dry Lubricant Professional Grade**



- Great for European hinges, small gears, motors and table saw top
- Transparent and non-soiling anti-friction coating
- Temperature range -292°F to 492°F
- Sets up in 15 minutes; hardens in 30 minutes

Item #	Size	Silicone Free
WR893550	10.14 fl. oz.	Yes

**A LUBRICANTS**

B  
C  
D  
E  
F  
G  
H  
I  
J  
K  
L  
M  
N  
O  
P  
Q  
R  
S  
T  
U  
V  
W  
X  
Y



**Dry Lubricant**

- Formulated to reduce friction and eliminate hang ups on work surfaces
- Perfect for saw tables, drill presses, planers, lathes and all hand tools
- Easier and faster to apply than paste wax



Item #	Size
WRGDRYLUBE	10.5 Oz



**Synthetic Lubricant**

- Adheres strongly to metal, will not harm plastics or rubber
- Starts as a penetrating liquid and sets into a clear grease
- Resistant to water, salts, acids and alkaline
- Temperature range -31 °F to 392 °F
- Compliant in all 50 states



Item #	Size	Silicone Free
WR893106	16.9 fl. oz.	Yes



**Lami-Lube III, Dry Spray Lubricant**

- Functions as a smooth, quick drying and greaseless white film lubricant for all types of surfaces
- Dry PTFE is also highly resistant to acids and has a temperature of -400F to +500F
- Unlike moist grease and oil based lubricants, it will not collect dirt and dust



Item #	Size	Silicone Free
YYLAMI3	10.5 fl. oz.	Yes

**LUBRICANTS & INDICATOR PAINT**

A  
B  
C  
D  
E  
F  
G  
H  
I  
J  
K  
L  
M  
N  
O  
P  
Q  
R  
S  
T  
U  
V  
W  
X  
Y



**Spray Silicone Lubricant**



- Lubricate moving parts; eliminate squeaks caused by friction, prevent sticking and freezing, protect against rust
- Seals out moisture; preserves plastic, rubber and leather; helps prevent build up of glues, waxes, inks, paints, etc.

Item #	Type	Size	Silicone Free
MGSS	Regular	24 fl. oz.	No
MGSS-CA	Low VOC	24 fl. oz.	No



**BladeCote™ Lubricant**



- Dries in seconds to provide protection for bits, blades, and other cutting tools
- Inhibits glue, pitch and resin build-up, reduces cutting friction and heat

Item #	Size	Silicone Free
SDDC	10.75 fl. oz.	Yes



**Tempilaq Temperature Monitor**



- Temperature indicating paint-on material works on either side of the laminate
- Using the brush in the cap, apply a stroke at the location to be formed
- In a few seconds the solvent evaporates (provide ventilation), then it's ready for heating, then forming when the coating changes appearance

Packing and Sold by: Each, 2 oz bottles.

Item #	Description
BET313	Tempilaq, 313deg
BET325	Tempilaq, 325deg
BET350	Tempilaq, 350deg
BETT	Tempilaq Thinner

A  
B  
C  
D  
E  
F  
G  
H  
I  
J  
K  
L  
M  
N  
O  
P  
Q  
R  
S  
T  
U  
V  
W  
X  
Y

# **YOUR SAFETY IS OUR BUSINESS!**

**Your Single Source  
For Safety Items!**

**We've got you covered from head to toe,  
first aid to storage cabinets!**

**If you don't see it, we can get it!**  
**Contact your local Würth Louis and Company Representative.**

# SAFETY RULES ARE YOUR BEST TOOLS!



## HEARING

### Did you know...

Prolonged noise exposure, even in lower dBs, still does damage to your hearing? "Plug In", for better hearing, today and tomorrow!

- Non-Corded and Corded Earplugs
- Earmuffs



## EYES

### Did you know...

Eye injuries alone cost more than \$300 million per year in lost production time, medical expenses, and worker compensation? Be safe and stylish with our offering of safety glasses!

- Safety Glasses
- Goggles
- Lens Wipes



## RESPIRATORY

### Did you know...

Respirators come in a wide range of types and sizes? From disposable masks to reusable models with replaceable cartridges and filters - we have you covered!

- Single Use or Reusable Dust Masks
- Respirators and Replacement Cartridges/Filters



## HANDS

### Did you know...

Work gloves are essential to staying safe and productive in our industry? Protect your hands from wear and damage, and help minimize injury in the case of workplace accidents. Need gloves? Let us give you a hand!

- Disposable
- General Purpose
- Cut Resistant
- Anti-Vibe



## BE PREPARED

### Just in case...

Make sure your First Aid supplies are adequate, reflect the types of injuries that occur in your workplace, and are readily available if needed. Let us help you get you started!

- First Aid Kits and Refills
- Eye Wash Stations
- Safety Signs

We have access to over 100,000 Safety, Breakroom and Janitorial Supplies - plus Industrial and Material Handling Equipment! Contact your local Würth Louis and Company representative and let us help you find just what your are looking for!

**A EAR PROTECTION**

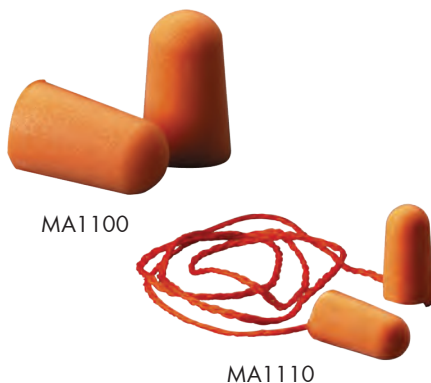


**Foam Ear Plugs, Tapered  
NRR 32dB**



- Soft, non-allergenic foam product with smooth outer comfort surface
- Brightly colored for easy compliance checks
- Sold in full boxes only

Item #	Style	Box Qty
WR0899300905	Non-Corded	200 pairs



**Foam Ear Plugs, Tapered  
NRR 29dB**



- 3M™ 1100 Foam Earplugs
- Soft, comfortable and unobtrusive hearing protection
- Recommended for moderate to high noise (up to 100 dBA TWA)
- Sold in full boxes only

Item #	Style	Box Qty
MA1100	Non-Corded	200 pairs
MA1110	Corded	100 pairs



**Foam Earplugs, Tapered  
NRR 33dB**



- 3M™ E-A-Rsoft™ Yellow Neon™
- Easy to roll down and insert, then expand for maximum comfort
- Sold in multiples of 200 pair

Item #	Style	Box Qty
MH12063	Non-Corded	200 pairs



**Foam Ear Plugs, T-Shape  
NRR 30dB**



- Ideal for workers with smaller ear canals
- Winged end assures easy insertion and removal of ear plugs
- Smooth, soil-resistant, closed-cell foam earplug skin prevents dirt build-up
- Sold in full boxes only

Item #	Style	Box Qty
WNSSF1459	Corded	100 pairs

**EAR PROTECTION**

A  
B  
C  
D  
E  
F  
G  
H  
I  
J  
K  
L  
M  
N  
O  
P  
Q  
R  
S  
T  
U  
V  
W  
X  
Y



**Hi-Vis Ear Muffs**

**NRR 27dB**

- Brightly colored ear cups provide added visibility and safety
- Padded headband and foam-filled ear cups assure comfortable wear and folds for easy storage
- NRR 27 dB provides great protection in noisy environments



<b>Item #</b>
WNSSF14993

**Easy to see,  
comfortable to wear**



**Ultra Light Dielectric Series Ear Muffs**

**NRR 20dB**

- Specially designed, soft, foam-filled ear cushions reduce pressure on the ears for a secure seal
- Lightweight headband maintains proper tension for all-day wear
- Adjustable slot on each side offers 3 wearable positions – over the head, behind the neck, or under the chin



<b>Item #</b>
WNSSF27249

**Dielectric for  
added safety**

**Visit us on our website: [wurthlac.com](http://wurthlac.com)**




Shopping Cart \$0.00

Shop By Category

Home

**LEAVE THE DUST  
BEHIND WITH  
3M XTRACT™  
ABRASIVES!**



**A EYE PROTECTION**

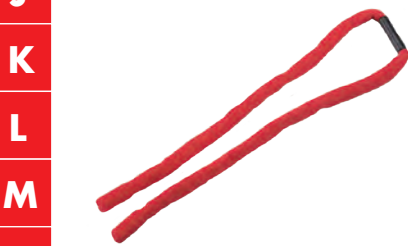


**Lens Cleaning Towelettes, Anti-Fog**

- 5" x 8" wipes are pre-moistened with C-Clear, anti-fog, anti-static, and non-silicone formula for better cleaning
- Handy dispenser box, individually foil wrapped
- Sold by the box



Item #	Towelettes per Box
WNSSF3551	100



**Eyewear Retainer, Breakaway**

- Cotton cords break away for maximum worker safety and reattach easily



Item #	Color
WNSSF22851RD	Red



**Eyewear Retainer, Economy**

- Slip these cords onto eyewear temples to keep safety glasses handy



Item #	Color
WNSSF22232RD	Red



**Premium Sideshields**

- Complies with ANSI standards when worn in conjunction with ANSI approved eyewear
- Set includes: Sideshields for 1 pair of glasses



Item #
WNSSF23792

**No tools required to install!**



**EYE PROTECTION**



**Safety Glasses, Lightweight**



- Economical lightweight glasses offer superior protection
- 99% UV protection; exceeds ANSI Z87.1-2003

Item #	Lens Color	Anti-Fog	Scratch Resistant	Adjustable
WR0899103132	Clear	No	Yes	No
WR899103138	Clear	Yes	Yes	No
WR899103133	Tinted	Yes	Yes	No



**Safety Glasses, Lightweight**



- Integrated nose piece
- Exceeds ANSI Z87.1 High Impact Requirements

Item #	Lens Color	Anti-Fog	Scratch Resistant	Adjustable
WR0899103200	Clear	No	Yes	No
WR899103202	Clear	Yes	Yes	No
WR899103201	Tinted	No	Yes	No
WR899103203	Mirror	No	Yes	No
WR899103204	Blue Anti Fatigue	No	Yes	No



**Safety Glasses, Ultra Light Sport**



- Integrated nose piece
- Exceeds ANSI Z87.1 High Impact Requirements

Item #	Lens Color	Anti-Fog	Scratch Resistant	Adjustable
WR899103210	Clear	Yes	Yes	No
WR899103211	Ice Blue Mirror	No	Yes	No

Premium style, ultra-light comfort!



**Safety Glasses, Adjustable**



- Ratcheting temples and adjustable nosepiece provide different angles for perfect view and fit
- 90% UV protection; exceeds ANSI Z87.1-2003

Item #	Lens Color	Anti-Fog	Scratch Resistant	Adjustable
WR0899103130	Clear	No	Yes	Temples

A  
B  
C  
D  
E  
F  
G  
H  
I  
J  
K  
L  
M  
N  
O  
P  
Q  
R  
S  
T  
U  
V  
W  
X  
Y

**A EYE PROTECTION**

B  
C  
D  
E  
F  
G  
H  
I  
J  
K  
L  
M  
N  
O  
P  
Q  
R  
S  
T  
U  
V  
W  
X  
Y



**Safety Glasses, Adjustable Temples**



- Full side protection without distracting seams or traditional type side shields
- Exceeds ANSI Z87.1 High Impact Requirements

Item #	Lens Color	Anti-Fog	Scratch Resistant	Adjustable
WR0899103208	Clear	Yes	Yes	Temples



**Safety Glasses, Padded Temples**



- Lightweight frame with padded temples for comfortable wear
- Complies with ANSI standards

Item #	Lens Color	Anti-Fog	Scratch Resistant	Adjustable
WNSSF24543	Clear	Yes	No	No



**Safety Glasses, Slim Sport**



- Scratch-resistant coating offers longer use
- Complies with ANSI standards

Item #	Lens Color	Anti-Fog	Scratch Resistant	Adjustable
WNSSF13287	Clear	Yes	Yes	No



**Safety Glasses, Wraparound**



- Wrap around design with adjustable lightweight nylon temples
- Complies with ANSI standards

Item #	Lens Color	Anti-Fog	Scratch Resistant	Adjustable
WNSSF23854	Clear	Yes	No	Temples



**Safety Glasses, Featherweight**



- 33% lighter than standard safety glasses
- ANSI/OSHA approved

Item #	Lens Color	Anti-Fog	Scratch Resistant	Adjustable
FCSGFWCL	Clear	Yes	Yes	No

**EYE PROTECTION**



**Safety Glasses, Wraparound**



- Anti-fog, wrap-around lenses
- ANSI rated Z87.1

Item #	Lens Color	Anti-Fog	Scratch Resistant	Adjustable
FCSGAF510	Amber	Yes	Yes	No
FCSGAFB510	Blue	Yes	Yes	No
FCSGAFP510	Clear	Yes	Yes	No
FCSGAFR510	Red	Yes	Yes	No
FCSGAFT510	Tinted	Yes	Yes	No



**Safety Glasses, Single Magnifying**



- ANSI rated Z87.1

Item #	Lens Color	Diopter	Anti-Fog	Scratch Resistant	Adjustable
FCSGAFMAG1.5	Clear	+1.5	Yes	Yes	No
FCSGAFMAG2.0	Clear	+2.0	Yes	Yes	No
FCSGAFMAG2.5	Clear	+2.5	Yes	Yes	No
FCSGAFMAG3.0	Clear	+3.0	Yes	Yes	No



**Single Magnifying, Anti-Fog**



- Strategically placed magnification lens inserts are out of users' direct line of vision, increasing safety
- Complies with ANSI standards

Item #	Lens Color	Diopter	Anti-Fog	Scratch Resistant	Adjustable
WNSSF28894	Clear	+1.5	Yes	Yes	No
WNSSF28895	Clear	+2.0	Yes	Yes	No
WNSSF28896	Clear	+2.5	Yes	Yes	No



**Safety Glasses, Foam Lined**



- Removable flame resistant foam padding helps limit eye exposure to dust and particles
- Exceeds ANSI Z87.1 High Impact Requirements

Item #	Lens Color	Anti-Fog	Scratch Resistant	Adjustable
WR899103218	Clear	Yes	Yes	No

A  
B  
C  
D  
E  
F  
G  
H  
I  
J  
K  
L  
M  
N  
O  
P  
Q  
R  
S  
T  
U  
V  
W  
X  
Y

**A EYE PROTECTION**

B  
C  
D  
E  
F  
G  
H  
I  
J  
K  
L  
M  
N  
O  
P  
Q  
R  
S  
T  
U  
V  
W  
X  
Y



**Over The Glass, Low Profile**

- Ratchet inclination and lateral adjustment deliver an excellent fit over prescription glasses
- Complies with ANSI standards



Item #	Lens Color	Anti-Fog	Scratch Resistant	Adjustable
WNSSF184482	Clear	Yes	No	Temples



**Safety Glasses, Over-The-Glass**

- Lightweight and economical, vented temples for added comfort
- 99% UV protection; exceeds ANSI Z87.1-2003



Item #	Lens Color	Anti-fog	Scratch Resistant	Adjustable
WR0899103125	Clear	No	Yes	No



WNSSF21542

**Over the Glass Goggles**

- Fits well for employees with or without prescription glasses
- Fog-free polycarbonate lens
- Elastic headband provides a snug, secure fit
- Manufactured in an ISO 9002 registered facility
- Complies with ANSI standard



Item #	Description	Lens Color	Anti-Fog
WNSSF21542	Direct Vent, Particulate Protection	Clear	Yes
WNSSF21543	Indirect Vent, Liquid Splash Protection	Clear	Yes



WNSSF21543

**Fog-free lens,  
excellent coverage**

**EYE PROTECTION**



**OTG Safety Goggles**



- Goggle provides protection against dust and chemical splash
- Polycarbonate lenses are scratch resistant and fit over most prescription glasses
- Soft vinyl goggle body conforms to facial contours and featured fully adjustable elastic band
- W2X anti-fog, anti-scratch coating is bonded to the lenses
- Exceeds ANSI Z87.1 High Impact Requirements

Item #	Lens Color	Anti-Fog	Scratch Resistant
WR899103221	Clear	No	Yes



**Wraparound Goggles**



- Anti-fog polycarbonate lens provides optimum peripheral vision, resists impact, and blocks UV rays
- Manufactured in an ISO 9001 Registered facility
- Complies with ANSI standards

Item #	Description	Lens Color	Anti-Fog
WNSSF24553	Direct Vent, Particulate Protection	Clear	Yes
WNSSF26781	Indirect Vent, Liquid Splash Protection	Clear	Yes



**OTG Eye & Face Protection**



- Fits over prescription glasses
- Removable vent caps allow the user to remove when more ventilation is required or leave in place for unsurpassed chemical splash resistance
- Includes 2 disposable tear-off shield covers
- W2X anti-fog, anti-scratch coating is bonded to the lenses, and will continue to be effective even after repeated cleanings
- Exceeds ANSI Z87.1 High Impact Requirements

Item #	Lens Color	Anti-Fog
WR899103222	Clear	Yes

Removable, Face Shield/Adjustable



**Advanz Goggles**



- Simply turn the knob when paint accumulates to clear the lens (Includes 30 frames of film)
- Also includes anti-fog lens, foam cushion for snug fit and comfort, and elastic head strap
- Fits over half mask respirator
- Once film is used, goggles can be disposed
- Complies with ANSI standards

Item #
WNSSF2845

A  
B  
C  
D  
E  
F  
G  
H  
I  
J  
K  
L  
M  
N  
O  
P  
Q  
R  
S  
T  
U  
V  
W  
X  
Y

A  
B  
C  
D  
E  
F  
G  
H  
I  
J  
K  
L  
M  
N  
O  
P  
Q  
R  
S  
T  
U  
V  
W  
X  
Y

## RESPIRATORY PROTECTION



### Acrylic Shields

- Protect your customers and your employees
- Easy to assemble, everything you need is included in one box
- Material is .177" clear acrylic, peel coat on 2 sides
- Includes (2) 5-3/4" x 10" base feet per shield
- Each foot includes (2) 4" strips of Neoprene Rubber edging to prevent slipping
- Sold by the each

Item #	Width	Height	Opening Size
CPEGUARD-1N	23-1/2"	23-1/2"	10"W x 4"H
CPEGUARD-2N	31-1/2"	23-1/2"	10"W x 4"H
CPEGUARD-3N	31-1/2"	31-1/2"	10"W x 4"H
CPEGUARD-4N	47-1/2"	31-1/2"	10"W x 4"H



### Acrylic Face Shield



- Helps block incidental face touching, liquid splash, dust, and more
- Internal testing meets D3 liquid splash protection and ANSI/ISEA Z87.1-2015 standard for impact, optical clarity and haze
- Strap and foam colors may vary as well as thickness of plastic
- Do not use as protection against flames or sparks

NOTE: Disposable mask not included.

Item #
CPEFACESHIELD-H



### Half Face Piece Respirator Setup, Disposable



- The organic vapor cartridge MM6001 is not replaceable in this model, permanently attached

Item #	Size	Cartridges & Filters Included
MH52P71	Medium	Yes
MH53P71	Large	Yes



### Half Facepiece Respirator Only, Reusable



- Facepiece made from soft, lightweight material

Item #	Size	Cartridges & Filters Included
MH6200	Medium	No
MH6300	Large	No

NOTE: Cartridges & Filters sold separately; see next page.

**RESPIRATORY PROTECTION**



**Combination Cartridges/P100 Particulate Filters**



- Particulate filter is permanently attached to cartridge for easy, one-step assembly
- Unique design for enhanced comfort and visibility
- Sold in multiples of 2 each (enough for 1 respirator)

Item #	Type
MH60923	Organic Vapor/Acid Gas/P100



**Particulate Filters**



- For use with 3M 6000, 6500, 7000 and FF-400 Series reusable respirators
- Lightweight and easy to breathe through
- Sold in multiples of 2 each (enough for 1 respirator)

Item #	Type
MH07184	P100, with Nuisance Level Organic Vapor Relief



**Gas / Vapor Cartridge**



- For use with 3M 6000, 6500, 7000 and FF-400 Series reusable respirators
- 2 each per per pack (enough for one respirator)

Item #	Type
MH6001N	Organic Vapor
MH07047	Organic Vapor / Acid Gas
MA6005	Formaldehyde & Organic Vapor
MA6006	Multi Gas / Vapor



**Filter Retainer**



- Attaches particulate filter and organic vapor cartridge together
- 20 each per box. Available any quantity of eaches.

Item #
MH5009



**Particulate Filters**



- 10 Filters per box. Full boxes only.

Item #	Description	Use With
MH5N11	Particulate Filter, 5N11/N95	Non-petroleum & non-solvent based items
MH5010	Particulate Filter, 5P71/P95	Petroleum & solvent based items

A  
B  
C  
D  
E  
F  
G  
H  
I  
J  
K  
L  
M  
N  
O  
P  
Q  
R  
S  
T  
U  
V  
W  
X  
Y

**A RESPIRATORY PROTECTION**



**8000 Series Half Mask Respirator,  
Low Profile**

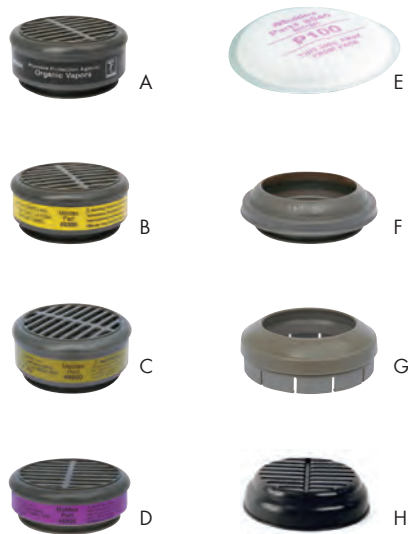


- Inhalation valve is on each cartridge, so with every cartridge change, workers get a new valve
- Exhalation valve assembly is located on the respirator frame in front of the mouth for enhanced communication
- Cartridges and filters sold separately
- Environmentally friendly, PVC-free
- NIOSH approved

**Specially designed  
for a safe, secure seal**

Item #	Description
WNSSF3401-M	Facepiece Only, Medium
WNSSF3401-L	Facepiece Only, Large

B  
C  
D  
E  
F  
G  
H  
I  
J  
K  
L  
M  
N  
O  
P  
Q  
R  
S  
T  
U  
V  
W  
X  
Y



**Cartridges & Filters**



\*For use with all chemical cartridges (3402, 3403, 3404 and 3483)

	Item #	Description
A	WNSSF3402	Organic Vapors Cartridge (pair)
B	WNSSF3404	Organic Vapors/Acid Gases Cartridge (pair)
C	WNSSF3483	Multi-Gas/Vapor Smart® Cartridge (pair)
D	WNSSF3489	P100 Particulate Cartridge (pair)
E	WNSSF3405	P100 Particulate Disc (pair)
F	WNSSF4518	P100 Disc Holder (pair)
G	WNSSF31279	N95 Particulate Prefilter (10/bag)
H	WNSSF3408	Prefilter Retainer (pair)

**Respirator Cleaning Wipes**



- Individually packed 8" x 10" towelettes
- Alcohol free - will not damage facepiece materials
- Sold by the box



Item #	Wipes per Box
MH07065	100



**RESPIRATORY PROTECTION**



**Blue Pleated Mask, 3 Ply**

- Built-in nose clip allows mask to be better fitted to shape of nose
- Not intended for surgical or certified medical use
- Sold by the each in multiples of 10



Item #	Package Qty
WRBLUEPLEATMASK-10	10



**White Pleated Mask, Reusable**

- Spun bond polypropylene 6 layer masks
- Polypropylene material helps to propel away moisture
- With Metal Nose Clip
- Machine washable, air dry
- Material made in USA/Sewn in Mexico
- Sold by the each in multiples of 20



Item #	Box Qty
CADMASK-6LAYER	20 masks



**Face Mask, Cloth, Reusable**

- 3 Layer reusable mask made of knit jersey fabric
- Inside pocket to place filter (sold separately)
- Washable for repeat use
- Adjustable via toggles, one size fits most
- Color may vary
- Sold by the each



Item #	Description
ELRMASK-3LYRADJ	Mask
ELRMASK-FILTER	Pocket Filter



**2 Layer Face Mask, Reusable**

- Double layered fabric face mask
- Washable fabric with elastic ear loops
- No filter pocket
- Sold by the each



Item #	Pack Qty
WR0899121140	10 each

A  
B  
C  
D  
E  
F  
G  
H  
I  
J  
K  
L  
M  
N  
O  
P  
Q  
R  
S  
T  
U  
V  
W  
X  
Y

**A RESPIRATORY PROTECTION**

B  
C  
D  
E  
F  
G  
H  
I  
J  
K  
L  
M  
N  
O  
P  
Q  
R  
S  
T  
U  
V  
W  
X  
Y



**Particulate Respirator, N95**



- NIOSH approved
- Adjustable noseclip reduces fogging and offers a secure fit
- Soft inner shell material and padded nosepiece deliver comfortable wear
- Sold by the box

Item #	Box Qty
WNSSF20093	20



**Particulate Respirator, N95**



- Welded strap attachment, soft nose foam and adjustable noseclip
- Sold by the box

Item #	Box Qty
MH8210	20



**Particulate Respirator, N95**



- NIOSH approved
- Adjustable nose clip
- Nose foam
- Stapled headbands
- Sold by the box

Item #	Box Qty
MH8200	20



**Particulate Respirator with Exhaust, N95**



- NIOSH approved
- Exhalation valve offers easier breathing in hot, humid conditions
- Sold by the box

Item #	Box Qty
WNSSF20094	10

**RESPIRATORY PROTECTION**



**Particulate Respirator with Exhaust Valve, N95**



- NIOSH approved
- Oversized valve opens more easily to expel hot air for cool comfort
- Adjustable nose band to adjust the mask to the shape of your face
- Secure seal around the nose
- Elastic head straps are tear-resistant
- Sold in full boxes only

Item #	Box Qty
WR0899120002	10



**Particulate Respirator with Exhaust Valve, N95**



- NIOSH approved
- Braided head bands and adjustable M-nose clip
- Sold by the box

Item #	Box Qty
MH8511	10



**Particulate Respirator, Cool Flow™ Valve, P95**



- NIOSH approved
- Exhalation valve for easier breathing
- Sold by the case

Item #	Case Qty
MH8577	80



**Particulate Respirator with Exhaust Valve, N95**



- NIOSH approved
- FCMXV-PKT folds and includes resealable bag for re-use at a later time
- Sold by the box

Item #	Box Qty
FCMXV	10
FCMXV-PKT	10

A  
B  
C  
D  
E  
F  
G  
H  
I  
J  
K  
L  
M  
N  
O  
P  
Q  
R  
S  
T  
U  
V  
W  
X  
Y

**A GLOVES**



**Nitrile Gloves, Powder Free**

- Fits either hand
- Powder free and solvent resistant
- Sold by the box of 100 gloves



Item #	Size	Thickness
WR9501006460	Large	4 mil
WR9501006463	Extra Large	4 mil



**Latex Gloves, Powder Free**

- Rolled cuff increases strength
- Diamond grip textured fingers ensure a solid, non-slip grip
- 7.1 mil fingertip thickness, 5.9 mil palm thickness
- 9" length
- Sold by the box of 100 gloves



Item #	Size	Thickness
WNSGL7376-L	Large	7.1 mil



**Neoprene Over Latex Gloves, Chemical Resistant**

- 13" overall length
- Neoprene offers superior resistance to a broad range of toxic and corrosive chemicals
- Latex provides greater flexibility to lessen hand fatigue
- Cool cotton flock lining absorbs perspiration
- Ideal for chemical handling, fiberglass applications, and heavy-duty maintenance
- Complies with 21 CFR standards
- Sold by the pair



Item #	Size	Thickness
WNSGL1575-M	Medium	28 mil
WNSGL1575-L	Large	28 mil
WNSGL1575-XL	Extra Large	28 mil

**GLOVES**



Nitrile Foam Coating



Scan code to view video

**TigerFlex Light**

- Used in light to medium work requiring a good grip and a high degree of flexibility
- Ideally suited for installation, workshop, packaging and assembly
- Optimal for freight forwarding, transport and sorting tasks

Packing and Sold: 12 pair per package.

Available any quantity of pairs.



Item #	Size	Gauge	Glove Material	Coating Material	Cuff Style
WR0899411118	8 (Medium)	18	Nylon	Nitrile Foam	Knit Wrist
WR0899411119	9 (Large)	18	Nylon	Nitrile Foam	Knit Wrist
WR0899411120	10 (Extra Large)	18	Nylon	Nitrile Foam	Knit Wrist
WR0899411121	11 (2 Extra Large)	18	Nylon	Nitrile Foam	Knit Wrist



Nitrile Foam Coating



Scan code to view video

**TigerFlex Plus**

- Dark grey, skin-friendly, seamless round-knit nylon/Lycra base fabric (15 gauge)
- Darker color hides dirt and grime for extended wear time
- Foam nitrile palm coating with additional Nitrile Tiger Grip
- Extremely breathable
- Nylon fabric is soft and form fitting while palm coating adds outstanding grip and dexterity
- Excellent wet/dry grip
- Oil-repellent and water-repellent
- Used in light to medium work requiring a good grip and a high degree of flexibility
- Ideally suited for installation, workshop, packaging and assembly
- Optimal for freight forwarding, transport and sorting tasks

Packing and Sold: 12 pair per package. Available any quantity of pairs.



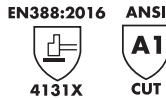
Item #	Size	Gauge	Glove Material	Coating Material	Cuff Style
WR0899411018	8 (Medium)	15	Nylon/Spandex	Nitrile Foam	Knit Wrist
WR0899411019	9 (Large)	15	Nylon/Spandex	Nitrile Foam	Knit Wrist
WR0899411020	10 (Extra Large)	15	Nylon/Spandex	Nitrile Foam	Knit Wrist
WR0899411021	11 (2 Extra Large)	15	Nylon/Spandex	Nitrile Foam	Knit Wrist

A  
B  
C  
D  
E  
F  
G  
H  
I  
J  
K  
L  
M  
N  
O  
P  
Q  
R  
S  
T  
U  
V  
W  
X  
Y

**A GLOVES**



Nitrile Foam Coating



Scan code to view video

**TigerFlex Hi-Lite**

- Used in light to medium work requiring a good grip and a high degree of flexibility
- Bright color for easy visibility
- Hi-Vis yellow foam nitrile palm coating with additional Nitrile Tiger Grip
- Extremely breathable
- Nylon fabric is soft and form fitting while palm coating adds outstanding grip and dexterity
- Excellent wet/dry grip
- Oil-repellent and water-repellent
- Ideally suited for installation, workshop, packaging and assembly
- Optimal for freight forwarding, transport and sorting tasks

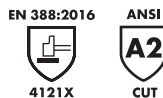
Packing and Sold: 12 pair per package. Available any quantity of pairs.



Item #	Size	Gauge	Glove Material	Coating Material	Cuff Style
WR0899403088	8 (Medium)	15	Polyester/Spandex	Nitrile Foam	Knit Wrist
WR0899403089	9 (Large)	15	Polyester/Spandex	Nitrile Foam	Knit Wrist
WR0899403090	10 (Extra Large)	15	Polyester/Spandex	Nitrile Foam	Knit Wrist
WR0899403091	11 (2 Extra Large)	15	Polyester/Spandex	Nitrile Foam	Knit Wrist



Nitrile Foam Coating



Scan code to view video

**TigerFlex Double**

- Reversible assembly glove
- Used in areas such as industry, transport, garages, workshops, construction

Packing and Sold: 12 pair per package.

Available any quantity of pairs.



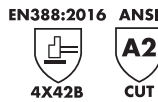
Item #	Size	Gauge	Glove Material	Coating Material	Cuff Style
WR0899411218	8 (Medium)	15	Nylon/Spandex	Nitrile Foam	Knit Wrist
WR0899411219	9 (Large)	15	Nylon/Spandex	Nitrile Foam	Knit Wrist
WR0899411220	10 (Extra Large)	15	Nylon/Spandex	Nitrile Foam	Knit Wrist
WR0899411221	11 (2 Extra Large)	15	Nylon/Spandex	Nitrile Foam	Knit Wrist

Get 2x the use with this reversible glove!

**GLOVES**



Nitrile Foam Coating



Scan code to view video

**TigerFlex C3 – Cut Resistant**

- 13-Gauge Grey HPPE Liner
- ANSI Cut Level A2
- Micro Foam nitrile palm coating with additional Nitrile Tiger Grip
- Lightweight and form fitting construction delivers superior dexterity and comfort
- Excellent grip and protection allowing for maximum flexibility and dexterity
- Oil-repellent and water-repellent
- For light to medium cut hazards
- Used in glass handling, sheet metal work, laminate work, cutting applications

Packing and Sold: 12 pair per package. Available any quantity of pairs.



Item #	Size	Gauge	Glove Material	Coating Material	Cuff Style
WR0899451368	8 (Medium)	13	HPPE/nylon/spandex	Nitrile Foam	Knit Wrist
WR0899451369	9 (Large)	13	HPPE/nylon/spandex	Nitrile Foam	Knit Wrist
WR0899451370	10 (Extra Large)	13	HPPE/nylon/spandex	Nitrile Foam	Knit Wrist
WR0899451371	11 (2 Extra Large)	13	HPPE/nylon/spandex	Nitrile Foam	Knit Wrist



Nitrile Foam Coating



Scan code to view video

**TigerFlex C5/W-230 – Cut Resistant**

- 13-Gauge Blue HPPE/Glass fiber liner
- ANSI Cut Level A3
- Micro Foam nitrile palm coating with additional Nitrile Tiger Grip
- Excellent grip and protection allowing for maximum flexibility and dexterity
- Oil-repellent and water-repellent
- Used in glass handling, sheet metal work, laminate work, cutting applications

Packing and Sold: 6 pair per package. Available any quantity of pairs.



Item #	Size	Gauge	Glove Material	Coating Material	Cuff Style
WR0899451358	8 (Medium)	13	HPPE/ nylon/ spandex/ glass fiber	Nitrile Foam	Knit Wrist
WR0899451359	9 (Large)	13	HPPE/ nylon/ spandex/ glass fiber	Nitrile Foam	Knit Wrist
WR0899451360	10 (Extra Large)	13	HPPE/ nylon/ spandex/ glass fiber	Nitrile Foam	Knit Wrist

A  
B  
C  
D  
E  
F  
G  
H  
I  
J  
K  
L  
M  
N  
O  
P  
Q  
R  
S  
T  
U  
V  
W  
X  
Y

A  
B  
C  
D  
E  
F  
G  
H  
I  
J  
K  
L  
M  
N  
O  
P  
Q  
R  
S  
T  
U  
V  
W  
X  
Y

**GLOVES**



Nitrile Foam Coating

SPLASH PROOF

EN 388  
3242X

EN 511  
X2X

ANSI  
A3  
CUT



Scan code to view video

**TigerFlex Thermo Dry**

- For use in cold environments
- Fully dipped foam nitrile with additional Nitrile Tiger Grip
- Excellent wet/dry grip
- Oil-resistant and waterproof
- Used in areas such as industry, transport, garages, workshops, construction
- Not suited for handling of chemicals

Packing and Sold: 6 pair per package. Available any quantity of pairs.



Item #	Size	Gauge	Glove Material	Coating Material	Cuff Style
WR0899402528	8 (Medium)	15G outer shell, 7 gauge inner shell, double layers	Polyester	Nitrile Foam	Knit Wrist
WR0899402529	9 (Large)	15G outer shell, 7 gauge inner shell, double layers	Polyester	Nitrile Foam	Knit Wrist
WR0899402530	10 (Extra Large)	15G outer shell, 7 gauge inner shell, double layers	Polyester	Nitrile Foam	Knit Wrist
WR0899402531	11 (2 Extra Large)	15G outer shell, 7 gauge inner shell, double layers	Polyester	Nitrile Foam	Knit Wrist



**Assembly Gloves**

- Mixed white polycotton string knit glove with gray PVC dots on palm side
- For light to medium warehouse work
- 12 pairs per box, sold in full boxes only

Item #	Size
WR899404120	Large



**Pigskin Grain Leather Driver's Gloves**

- General purpose gloves offer excellent abrasion resistance for your tough jobs, yet are soft and breathable enough for all-day wear
- Grain pigskin returns to its original soft texture after being wet
- Shirred elastic back provides snug fit
- Keystone thumb provides flexibility
- Reinforced thumb crotch adds durability

Item #	Size
WNSGL10897L	Large
WNSGL10897XL	Extra Large
WNSGL108972XL	2 Extra Large



Grain pigskin returns to its natural softness after being wet



**GLOVES**



**Foamflex® Nitrile Dot Palm Coated Work Gloves**



- Lightweight 13-gauge nylon liner assures breathability and comfortable wear
- Elastic cuffs offer a secure fit and protection from debris
- Applications: General assembly, automotive industry, handling oily parts, and anywhere reliable grip is required

Item #	Size
WNSGL4695M	Medium
WNSGL4695L	Large

A  
B  
C  
D  
E  
F  
G  
H  
I  
J  
K  
L  
M  
N  
O  
P  
Q  
R  
S  
T  
U  
V  
W  
X  
Y



**Hi-Vis Rubber Coated String Knit Gloves**



- Soft, knitted nylon liner
- Bright colors for increased visibility
- Comfortable, seamless design
- Rubber textured coating for excellent grip and durability
- Ideal for assembly, maintenance, material handling, fabrication - anywhere grip and dexterity are needed

Item #	Size
WNSGL15633-HLE-S	Small
WNSGL15633-HLE-M	Medium
WNSGL15633-HLE-L	Large
WNSGL15633-HLE-XL	Extra Large
WNSGL15633-HLE-2XL	2 Extra Large



**Rubber Coated String Knit Gloves**



- Textured rubber coating delivers superior grip, durability and abrasion resistance
- Soft, 15-gauge light nylon string knit shell offers flexibility and comfort
- Seamless, open back design ensures breathability
- Ideal for assembly, maintenance, material handling, landscaping, fabrication, or any task requiring additional grip and dexterity

Item #	Size
WNSGL27504M	Medium
WNSGL27504L	Large
WNSGL27504XL	Extra Large

**A GLOVES**

B  
C  
D  
E  
F  
G  
H  
I  
J  
K  
L  
M  
N  
O  
P  
Q  
R  
S  
T  
U  
V  
W  
X  
Y



**Rubber Coated String Knit Gloves**

- Rubber latex palm coating for better abrasion resistance and grip for lifting/handling rough objects
- Elasticized knitwrist cuff keeps out dirt and debris
- Ideal for general duty maintenance, packaging, assembly, or light construction jobs



Item #	Size
WNSGL22067M	Medium
WNSGL22067L	Large
WNSGL22067XL	Extra Large
WNSGL220672XL	2 Extra Large



**Rubber Coated Cotton Gloves**

- Rubber coating is textured to provide gripping power and abrasion resistance
- Uncoated cotton shell back design means breathability for all day comfort
- Ideal for material handling and assembly work



Item #	Size
WNSGL30746-M	Medium
WNSGL30746-L	Large
WNSGL30746-XL	Extra Large



**Latex Coated Polyester Gloves**

- Rubber latex palm coating deliver excellent grip and abrasion resistance
- Elastic cuff keeps out dirt and debris
- Ideal for general duty applications including maintenance, packaging, assembly, and construction



Item #	Size
WNSGL30747L	Large
WNSGL30747XL	Extra Large

**GLOVES**

A  
B  
C  
D  
E  
F  
G  
H  
I  
J  
K  
L  
M  
N  
O  
P  
Q  
R  
S  
T  
U  
V  
W  
X  
Y



**Polyurethane Coated Nylon Gloves**

- Comfortable gloves provide superior touch, sensitivity, and dexterity
- Seamless nylon knit style with polyurethane coating for excellent grip and preventing minor nicks and cuts
- Knitwrist cuff helps keep debris out of gloves
- Non-linting gloves are excellent for assembly applications where contamination is a concern



Item #	Size
WNSGL28881-M	Medium
WNSGL28881-L	Large
WNSGL28881-XL	Extra Large
WNSGL28881-2XL	2 Extra Large



**Cut Resistant Gloves, Level 2**

- Stretch Kevlar® liner protects against nicks and abrasion
- Patented foam nitrile coating for a sure grip in light oil applications
- Extended cuff for protection around wrist



Item #	Size
WNSGL28868-M	Medium
WNSGL28868-L	Large
WNSGL28868-XL	Extra Large



**Cut Resistant Gloves, Level 3**

- High performance polyethylene (HPPE) fibers provide superior cut protection
- Machine-knitted Lycra® and polyester shell delivers a comfortable fit
- Polyurethane palm coating assures excellent grip and durability
- Perfect for automotive, assembly, glass handling, and sheet metal work



Item #	Size
WNSGL5471L	Large

**A GLOVES**



**Vibration Dampening Gloves**

- Comfortable, vibration-dampening padding in palm, thumb, and wrist protects against injury from repetitive impact
- Soft, pliable goatskin leather palm ensures long-lasting use
- Stretch mesh back offers cool, comfortable wear



Item #	Size
WNSGL13171L	Large
WNSGL13171XL	Extra Large

**Great for working with pneumatic tools**

B  
C  
D  
E  
F  
G  
H  
I  
J  
K  
L  
M  
N  
O  
P  
Q  
R  
S  
T  
U  
V  
W  
X  
Y



**Goatskin Sport Utility Gloves**

- Genuine goatskin leather delivers excellent abrasion resistance
- Rugged double palm ensures longer use
- Stretch knit back offers comfort and breathability for your work day
- Hook and loop closure provides a dependable fit
- Launderable



Item #	Size
WNSGL4699L	Large
WNSGL4699XL	Extra Large
WNSGL46992XL	2 Extra Large

**SEE PAGE S-19 FOR OUR COLLECTION OF HAND CLEANERS**



**PROTECTIVE CLOTHING**



**Coveralls, Standard Duty**



- Provides excellent protection against particles, dusts and liquid splashes
- Elastic waist sewn into the back provides a more tailored fit
- Cuffed wrists instead of elastic for user comfort
- Anti-static and lint-free
- Soft fabric for increased freedom of movement and comfort while still being tear and abrasion-resistant
- Above average liquid repellent characteristics, even with mineral oil products
- Self-stopping zip prevents unintentional opening

Packing and Sold in: Each

Item #	Size	Cuffed Wrists	Elastic Ankles	Elastic Waist	Hood
WR0899021212	Medium	Yes	Yes	Yes	Yes
WR0899021213	Large	Yes	Yes	Yes	Yes
WR0899021214	Extra Large	Yes	Yes	Yes	Yes
WR0899021215	2 Extra Large	Yes	Yes	Yes	Yes
WR0899021216	3 Extra Large	Yes	Yes	Yes	Yes



**Coveralls, Heavy Duty**



- Keeps out dirt and moisture while providing reliable barrier protection for working in non-hazardous environments
- Heavy-duty spun-bound polypropylene fabric is coated with microporous polyethylene for improved durability
- Features sewn seams and front zipper closure with protective cover flap
- Great for Wood Finishing, Staining, General Maintenance, Glue Spraying, Paint Spraying, Fiberglass Handling and Assembly Applications
- Fabric weight: 55 gsm
- FDA approved

Packing and Sold in: Each



Item #	Size	Elastic Wrists	Elastic Ankles	Elastic Waist	Hood
WR0931285667	2 Extra Large	Yes	Yes	Yes	Yes
WR0931285668	3 Extra Large	Yes	Yes	Yes	Yes
WR0931285669	4 Extra Large	Yes	Yes	Yes	Yes

**A PROTECTIVE CLOTHING**

B  
C  
D  
E  
F  
G  
H  
I  
J  
K  
L  
M  
N  
O  
P  
Q  
R  
S  
T  
U  
V  
W  
X  
Y



**Woodworking Apron**

- Special design puts the straps and the weight of your apron contents over your shoulder
- Strategically placed pockets and compartments
- Rugged ballistic nylon design



<b>Item#</b>
FCAPRON-BL



**DuPont™ Tyvek® 400 Sleeves & Apron**

- 7-1/4" x 18" sleeves have interlocked, closed seam construction and elastic ends for penetration protection
- Bib-style apron measures 28" x 36" and features serged seams and longer ties for a snug fit



Item #	Description
WNSSF1720	Sleeves
WNSSF808	Apron



**Polyethylene Coated Sleeves & Apron**

- Provides effective barrier against particulates and light liquid splash
  - 28" x 40" apron features sewn-in ties for easy use
  - Sleeves are 18" long and feature elastic at both ends for added protection
- \*Sold in full boxes only



Item #	Description	Box Qty
WNSF195906	Sleeves	10 Pair*
WNSF195904	Apron	10 Each



**Denim Aprons**

- Constructed of 100% pre-shrunk cotton for comfortable wear
- Serged seams add durability
- Metal grommets secure neck strap and waist ties, minimizing rip outs
- Measure 28" x 38"
- Ideal for industrial maintenance, construction, manufacturing, and carpentry
- Launderable



Item #	Description
WNSSF32061	No Pockets
WNSSF32063	Two Pockets

**PROTECTIVE CLOTHING**



**Polyethylene Coated Disposable Gown with Thumb Loops**

- 1.75 mil polyethylene construction provides effective yet budget-friendly protection for worker's clothing
- Thumb loop adds convenience
- Sold by the case



Item #	Length	Case Qty
WNSSF180972BE-45	45"	100
WNSSF180972BE-50	50"	100
WNSSF180972BE-55	55"	100



**Spray & Arm Socks**

- Provides comfortable protection against overspray, dust, and other particulates
- Spray sock fits over the head and can be worn with goggles, half mask or full face respirators
- 100% cotton arm socks are 16"-18" long to protect from wrist to shoulder
- Sold in full bags only



Item #	Description
WNSSF4041	Spray Socks 12/bag
WNSSF14616	Arm Socks 12 pr/bag



**Shoe Covers**

- 100% polypropylene construction protects your shoes from dirt and grime
- Tread pattern on the sole offers traction
- Elastic opening provides a snug fit
- Sold by the bag



Item #	Fits	Bag Qty
WNSSF16905-L	Shoe Size 7-11	50 pair
WNSSF16905-XL	Shoe Size 9-15	50 pair



**Shoe/Boot Covers**

- Coated polypropylene protects against particulates and light liquid splash
- Elastic top for a secure fit on legs, slip resistant
- 15" high
- Sold by the bag



Item #	Fits	Bag Qty
WNSF244358-L	Shoe Size 9-13	25 pair
WNSF244358-XL	Shoe Size 11-15	25 pair

A  
B  
C  
D  
E  
F  
G  
H  
I  
J  
K  
L  
M  
N  
O  
P  
Q  
R  
S  
T  
U  
V  
W  
X  
Y

**A KNEE PADS/BACK SUPPORTS**

B  
C  
D  
E  
F  
G  
H  
I  
J  
K  
L  
M  
N  
O  
P  
Q  
R  
S  
T  
U  
V  
W  
X  
Y



**Knee Pads, Quick Release**

- Quick release buckle attachments for quick on/off
- Inside foam padding ensures comfortable, all-day wear
- Hard molded ABS plastic material allows user to move around freely side to side on hard surfaces
- One size fits most, 9.5" x 8" x 4.9"



<b>Item #</b>
WNSSF23928



**Economical Back Support, Detachable 1-1/4" Straps**

- 2 stage adjustment allows belt to be tightened or loosened as needed
- Front panels with hook and loop closures offer a custom, secure fit
- Launderable



Item #	Waist Size
WNSSF23925M	32" - 38"
WNSSF23925L	38" - 47"
WNSSF23925XL	47" - 56"

**Contoured for superior comfort**



**Digital Thermometer, Dual Mode**

- Measuring Range: 32° – 212° F
- Dual Mode: Can be flipped from Celsius to Fahrenheit
- Measure time: less than 2 seconds
- Automatic Power-Off: Less than 18 seconds
- Sold by the each

<b>Item #</b>
GD THERMOMETER



**FIRST AID**

A  
B  
C  
D  
E  
F  
G  
H  
I  
J  
K  
L  
M  
N  
O  
P  
Q  
R  
S  
T  
U  
V  
W  
X  
Y



**25-Person Metal First Aid Kit, Steel**



- Equipped with convenient carry handle, also wall mountable for versatility
- Complies with ANSI 2009/ISEA and OSHA standards

Kit Includes:

- |                                     |   |
|-------------------------------------|---|
| 32 plastic adhesive strips, 1" x 3" | 6 first aid/burn cream packets, 9 gm ea.        |
| 2 woven knuckle bandages            | 6 triple antibiotic ointment packets, .9 gm ea. |
| 2 woven fingertip bandages          | 12 alcohol wipes                                |
| 5 sterile gauze pads, 3" x 3"       | 3 sting relief wipes                            |
| 1 combine dressing, 5" x 9"         | 1 cold pack                                     |
| 1 roll conforming gauze bandage, 4" | 1 scissors                                      |
| 1 triangular bandage                | 1 forceps                                       |
| 1 roll adhesive tape, 1/2" x 5 yd.  | 2 zip-lock bags, 3" x 4"                        |
| 4 nitrile exam gloves               | 1 First Aid Guide                               |
| 6 BZK antiseptic towelettes         |   |

<b>Item #</b>
WNSSF14283



**25-Person First Aid Kit, Plastic**



- Features convenient molded carry handle with slots for vehicle mounting
- Compact size is ideal for office, vehicle, or job site

Kit Contains:

- |                                    |   |
|------------------------------------|---|
| 50 plastic bandages, 3/4" x 3"     | 12 antiseptic wipes                           |
| 2 fingertip bandages, large        | 6 triple antibiotic ointment packs, .9 gm ea. |
| 2 knuckle bandages                 | 12 aspirin tablets, 2/pkg                     |
| 1 wound pad, 5" x 9"               | 1 triangular bandage                          |
| 6 gauze pads, 2" x 2"              | 1 eye wash                                    |
| 1 sterile eye pad                  | 3 insect sting wipes                          |
| 1 roll gauze, 2" x 4-1/2 yd.       | 2 pair latex-free gloves                      |
| 1 roll adhesive tape, 1/2" x 5 yd. | 1 scissors                                    |
| 1 cold pack                        | 1 tweezers                                    |
|                                    | 1 First Aid Guide                             |

<b>Item #</b>
WNSSF23330



**Sterile Eye Wash Stations**



- Provides easy access for quick response to eye injuries
- Station is ideal for placing near hazardous areas
- Removable, tamper-evident bottles are portable for use when transporting injured workers
- FDA approved

Item #	Description
WNSSF8062	16 oz. Single Station
WNSSF8064	16 oz. Double Station
WNSSF8067	32 oz. Single Station
WNSSF8069	32 oz. Double Station
WNSSF8081	16 oz. Refill Bottle
WNSSF8084	32 oz. Refill Bottle

A  
B  
C  
D  
E  
F  
G  
H  
I  
J  
K  
L  
M  
N  
O  
P  
Q  
R  
S  
T  
U  
V  
W  
X  
Y

**POWER SUPPLY**



**Outdoor Extension Cords**

- Vinyl outer jacket resists moisture, abrasion, and prolonged exposure to sunlight
- Pro-Power cords feature a power indicator light plug end to let you know you have power
- Three-way power block provides additional outlets
- All cords are rated at 125-volt/15 AMP, except item# 29345 rated at 13 AMP
- UL listed



Item #	Length
<b>Extra-Power, 14/3 Gauge</b>	
WNSEL29343	25'
WNSEL29345	100'

Item #	Length
<b>Pro-Power, 12/3 Gauge</b>	
WNSEL29347	50'
WNSEL29348	100'
<b>Three-Way Power Block, 12/3 Gauge</b>	
WNSEL29349	2'



WNSEL10240

**Contractor Grade Power Cords, Powerlite™ Indicator**

- Powerlite™ power indicator glows when cord has power
- Solid-molded, 3-outlet, power block adapter with 600v double exterior jacket converts single plug cord to triple plug end.
- UL listed
- Complies with OSHA standards



WNSEL8369

Item #	Type	Gauge	Amps	Length
<b>Contractor Grade Power Cords</b>				
WNSEL10240	Contractor	10/3	15	50 ft
WNSEL8365	Contractor	12/3	15	50 ft
<b>Power Block Adapter</b>				
WNSEL8369	Adapter	12/3	15	2 ft



**LED Flashlight**

- Five LED bulbs provide a bright, concentrated beam of light
- Features handy, built-in ring holder for easy storage
- Requires (2) -D-cell batteries, sold separately



Item #	Lumens
WNSSF32043	25



**Alkaline Extended Life Batteries**

- Long-life; can be used for power intensive applications
- Ready for operation from -4° F to 122° F
- Leak resistant
- Minimal self-discharge - shelf life over 5 years



Item #	Battery Size	Batteries per Pack
WR82701	AAA	4
WR82702	AA	4
WR82703	C	2
WR82704	D	2
WR82705	9V	1

**SECTION T - TABLE OF CONTENTS**

**Section T Contents:**

**C.A. TECHNOLOGIES**

Pressure Reduced Guns ..... 2  
 HVLP Guns ..... 3  
 Mini and Glaze Guns ..... 4  
 Conventional Guns ..... 5  
 Adhesive Spray Gun and Gun  
 Cleaning Kit ..... 6  
 Gun Cups and Accessories ..... 7  
 Tanks & Accessories ..... 8  
 Air Assist Airless ..... 9-12

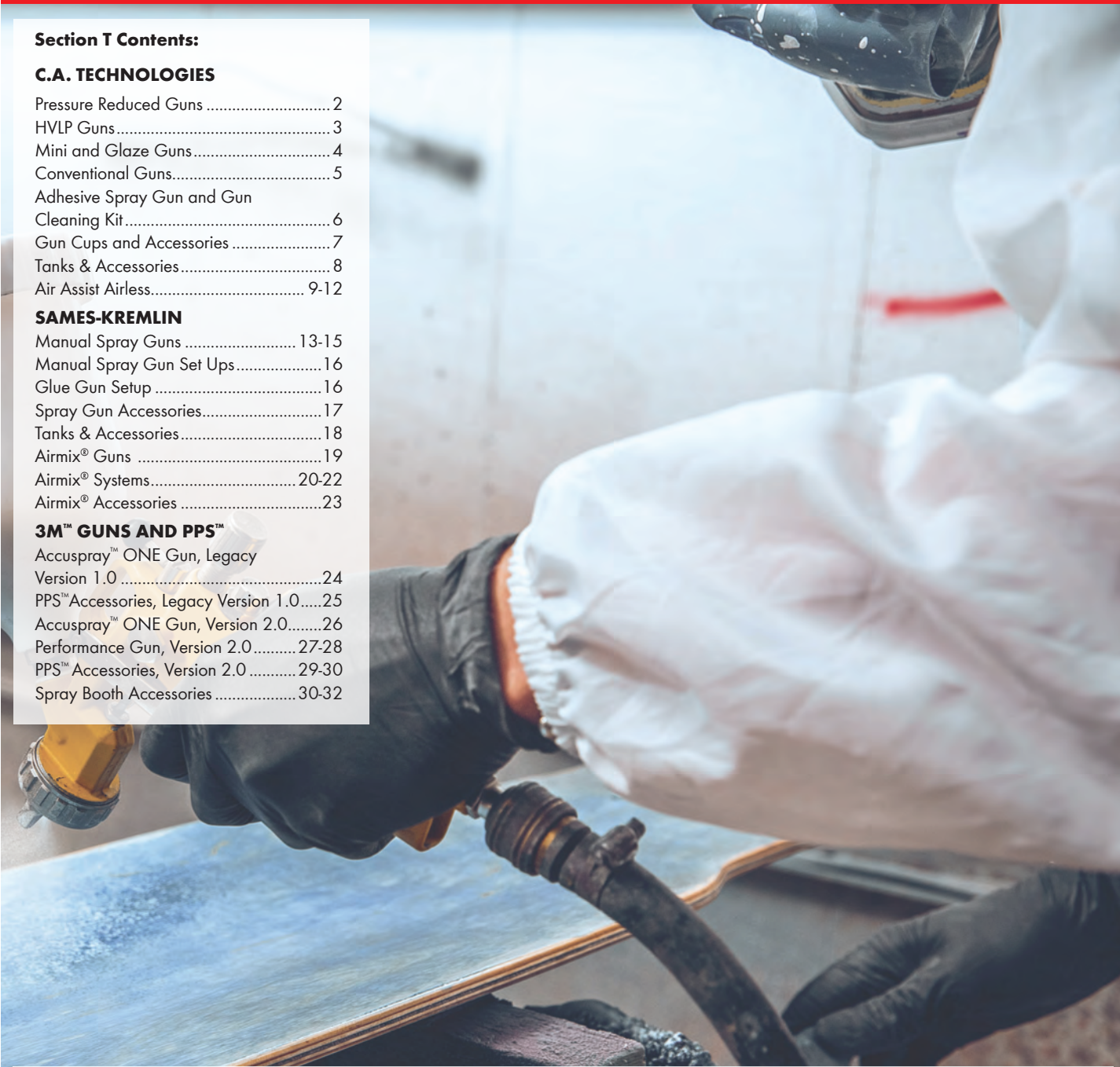
**SAMES-KREMLIN**

Manual Spray Guns ..... 13-15  
 Manual Spray Gun Set Ups ..... 16  
 Glue Gun Setup ..... 16  
 Spray Gun Accessories ..... 17  
 Tanks & Accessories ..... 18  
 Airmix® Guns ..... 19  
 Airmix® Systems ..... 20-22  
 Airmix® Accessories ..... 23

**3M™ GUNS AND PPS™**

Accuspray™ ONE Gun, Legacy  
 Version 1.0 ..... 24  
 PPS™ Accessories, Legacy Version 1.0 ..... 25  
 Accuspray™ ONE Gun, Version 2.0 ..... 26  
 Performance Gun, Version 2.0 ..... 27-28  
 PPS™ Accessories, Version 2.0 ..... 29-30  
 Spray Booth Accessories ..... 30-32

A  
B  
C  
D  
E  
F  
G  
H  
I  
J  
K  
L  
M  
N  
O  
P  
Q  
R  
S  
T  
U  
V  
W  
X  
Y



**A PRESSURE REDUCED GUNS**



CATCPR-G-W-PPS

**CPR-G Pressure Reduced, Fine Finish**



- Combines the transfer efficiency of HVLP with the speed and finish quality of conventional air spray
- Stainless steel fluid passages
- Needle/nozzle setups: 1.0 mm, 1.3mm, 1.5mm and 1.7mm
- Air Caps: CPR2101 (11 cfm) and HVLP1301 (13.5 cfm) @ 29 psi
- Nozzle requires 11 cfm at 29 psi recommended inlet pressure

**Specifications:**

- Air Inlet: 1/4" NPS (m)
- Fluid Inlet: 16m x 1.5
- Weight: 20 oz

Item #	Includes:
CATCPR-G-W	CPR-G gun, 4 needle/nozzle setups, 2 air caps, 1 qt aluminum cup and case
CATCPR-G-W-PPS	CPR-G gun, 4 needle/nozzle setups, 2 air caps, Medium PPS cup and 3 lids/liners, case
CAT10-105	Gun Repair Kit



**CPR Pressure Reduced Techline (Fine Finish)**



- Economy version of the compliant spray technology
- Can be used to spray a wide range of coatings
- Needle/nozzle setups: 0.8mm, 1.3mm and 1.7mm
- Air Caps: CPR2101 (11 cfm) and HVLP1301 (13.5 cfm) @ 29 psi
- Plated Brass passages and non-replaceable head insert

**Specifications:**

- Air Inlet: 1/4" NPS (m)
- Fluid Inlet: 16m x 1.5
- Weight: 15 oz

Item #	Includes:
CATCPR-T3	Techline T3 gun, 3 needle/nozzle setups, 2 air caps, 1 qt. plastic cup, wrench, cleaning kit

**HVLP GUNS**



**Lynx 300 HVLP**



- Fine finish HVLP air spray gun for achieving the ultimate in fine atomization
- Designed for production use
- Self adjusting needle, packing, air adjusting valve, lightweight and rugged construction
- Standard with all stainless steel fluid passages
- Patented 12-point plenum design delivers smaller and more uniform material particles for an even, smooth finish
- Complies with all environmental regulations for HVLP

**Specifications:**

- Air Inlet: 1/4" NPS (m)
- Fluid Inlet: 3/8" NPS (m)
- Weight: 20 oz.

Item #	Includes:
CATL300H	L300H gun with 1 needle/nozzle setup (1.3mm nozzle and 23-1013 air cap)
CAT10-106	Lynx Repair Kit



CATCPJ100H-W

**Jaguar J100H, General Purpose**



- General purpose gravity feed gun intended for wood finishing
- Needle/Nozzle Setups: 1.0mm, 1.4mm, 1.5mm and 1.7mm
- Air Caps: 1090 (6cfm) and 1093 (10 cfm)
- Featuring stainless steel fluid passages, low volume nozzles for small HP compressor use and self-adjusting needle packing
- Complies with all HVLP environmental regulations

**Specifications:**

- Air Inlet: 1/4" NPS (m)
- Fluid Inlet: 16m x 1.5
- Weight: 25 oz

Item #	Includes:
CATCPJ100H-W	J100H gun, 4 needle/nozzle setups, 2 air caps, 1 qt aluminum gravity cup and case
CATCPJ100H-W-PPS	J100H gun, 4 needle/nozzle setups, 2 air caps, Medium PPS cup and 3 lids/liners, case
CAT10-105	Gun Repair Kit

A  
B  
C  
D  
E  
F  
G  
H  
I  
J  
K  
L  
M  
N  
O  
P  
Q  
R  
S  
T  
U  
V  
W  
X  
Y

## A MINI & GLAZE GUNS



CATCA-T2-GLAZE

### Precision Mini T2 and T2 Glaze

The T2 mini portable gravity spray gun is designed for all your professional grade touch up needs. With its HVLP compliance and low air consumption of 4 CFM, this spray gun is ideal for any touch up situation.

- Great atomization for spray stain, no more spray and wipe
- 4 CFM air requirements for use with most small compressors
- Small and compact with minimal moving parts
- Pattern control is easily adjusted by your thumb
- 4 inch spray pattern, ideal for touch up jobs
- No air needed when applying glaze



Item #	Includes:
CATCA-T2	CA-T2 gun, 0.8 mm, 1.2mm and 1.3mm needle & nozzle, 150ml aluminum cup and 125ml plastic cup, brush, wrench, and case
CATCA-T2-GLAZE	CA-T2-GLAZE gun, Glaze tip & needle, 1.2mm and 1.3mm needle & nozzle, 150ml aluminum cup and 125ml plastic cup, brush, wrench, and case
CATCA60-T2-30-10-G	1.0mm glaze nozzle only
CATCA60-T2-30-08	0.8mm needle & nozzle
CATCA60-T2-30-10	1.0mm needle & nozzle
CATCA60-T2-30-12	1.2mm needle & nozzle
CATCA60-T2-30-13	1.3mm needle & nozzle
CATCA60-T2-10	T2 Repair Kit, springs & seal
CATCA91-573	T2 Adapter for 3M™ PPS™
CAT51-406	150ml Aluminum cup
CAT51-407	125ml Plastic cup
CAT51-408	450ml Aluminum cup

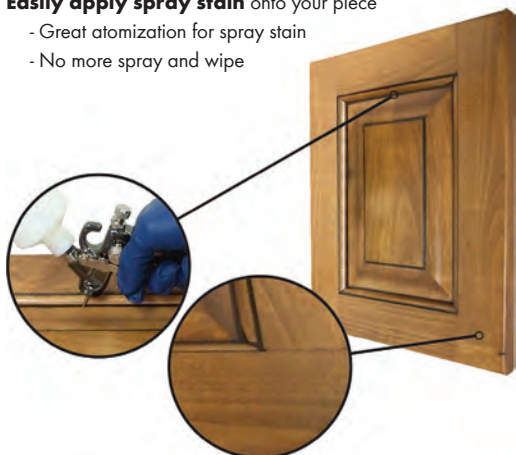
### Glazing Made Easy

**Easily apply glaze** into profiles

- No air needed
- No more spray and wipe

**Easily apply spray stain** onto your piece

- Great atomization for spray stain
- No more spray and wipe



**CONVENTIONAL GUNS**



**Lynx 100C (General Purpose), Pressure**



- Economy version of the compliant spray technology
- Can be used to spray a wide range of coatings
- Stainless steel fluid passages
- Plated brass passages and non-replaceable head insert

**Specifications:**

- Air Inlet: 1/4" NPS (m)
- Fluid Inlet: 16mm x 1.5
- Weight: 15 oz.

Item #	Includes:
CAT100C-12-2263	L100C gun with 1 needle/nozzle setup (1.2mm nozzle and 21-2263 pressure air cap)



**Lynx 300 Conventional**



- Designed for production use, perfect for any fine finish application
- Self-adjusting needle and air valve packing, air adjusting valve, lightweight and rugged construction
- Comes standard with stainless steel fluid passages
- Patented 12-point plenum design delivers smaller and more uniform material particles for an even, smooth finish

**Specifications:**

- Air Inlet: 1/4" NPS (m)
- Fluid Inlet: 3/8" NPS (m)
- Weight: 20 oz.

Item #	Includes:
CATL300C	L300C gun with 1 needle/nozzle setup (1.3mm nozzle and 23-2013 air cap)
CAT10-106	Lynx Repair Kit



**Tomahawk (General Purpose), Pressure**



- Lightweight, ergonomically designed and price competitive high quality production spray gun
- Designed for those who want a conventional gun for spraying a wide range of coatings from glue to fine finish
- Stainless steel fluid inlet and head

**Specifications:**

- Air Inlet: 1/4" NPS (m)
- Fluid Inlet: 3/8" NPS (m)
- Weight: 15 oz.

Item #	Includes:
CATTG100C-12-2263	TG100C gun with 1 needle/nozzle setup (1.2mm nozzle and 21-2263 pressure air cap)

A  
B  
C  
D  
E  
F  
G  
H  
I  
J  
K  
L  
M  
N  
O  
P  
Q  
R  
S  
T  
U  
V  
W  
X  
Y

A  
B  
C  
D  
E  
F  
G  
H  
I  
J  
K  
L  
M  
N  
O  
P  
Q  
R  
S  
T  
U  
V  
W  
X  
Y

## ADHESIVE SPRAY GUN



### Panther, Solvent Based Glues/Adhesives



- Standard Solvent Based setup: 1.8 x 2266-3T
- General purpose conventional air spray gun designed for glue / adhesive applications
- Body and air cap are Teflon anodized for easy clean-up and longer life
- Self-adjusting needle packing, inexpensive nozzle replacement and rugged construction
- All stainless steel fluid passages and Teflon anodized body and air cap

#### Specifications:

- Air Inlet: 1/4" NPS (m)
- Fluid Inlet: 3/8" NPS (m)
- Weight: 20 oz

Item #	Includes:
CATP100G-18-22663T	Panther gun with 1 needle/nozzle setup
CAT10-110	Panther Repair Kit



### Gun Cleaning Kit



- Standard gun cleaning kit



Item #	Includes:
CAT10-500	6 picks on ring, 1 detail brush, 3 round bristle brushes, 1 large round bristle brush, 1 gun brush, 5 small round brushes, 1 pick



**GUN CUPS & ACCESSORIES**



**Siphon Cup, No Drip, 1 Quart**

- Drip proof and made of aluminum alloy



Item #	Includes:
CAT51-301	Siphon Cup, 1 Quart
CAT51-321	Replacement Gasket

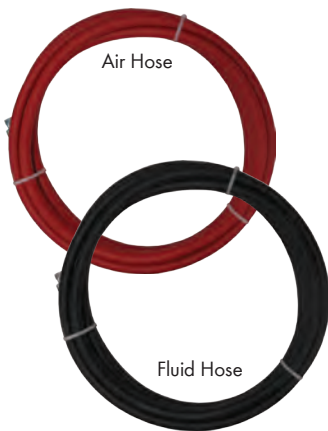


**Gravity Cups**

- Cups for CA Technologies gravity guns
- Both cups have no drip feature in lid



Item #	Description
CAT51-400	Plastic Gravity Cup, 1 Quart
CAT51-401	Aluminum Gravity Cup, 700 ml
CAT51-413	Replacement Lid, Plastic cup
CAT51-418	Replacement Lid, Aluminum cup



**Low Pressure Hoses**

**Air Hose Specifications:**

- Temperature range is -20°F to +190°F
- Textile reinforced
- Smooth red synthetic rubber casing
- Oil resistant
- 200 PSI working pressure

**Fluid Hose Specifications:**

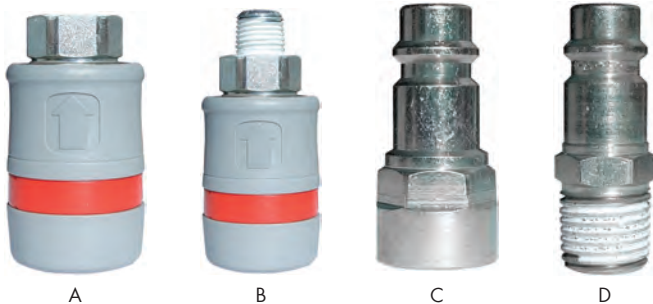
- Temperature range is 0°F to 190°F
- Tube: Nylon 11 (silicone-free)
- Braided high strength synthetic yarn
- Smooth black synthetic rubber casing
- 750 PSI working pressure



Item #	Type	Description
CAT53-112-25	Air	5/16" ID with 1/4" NPS fittings, 25' length
CAT53-213-25	Fluid	1/4" ID with 3/8" NPS fittings, 25' length
CAT53-215-25	Fluid	3/8" ID with 3/8" NPS fittings, 25' length

**High Flow Quick Disconnect Couplings**

- For HVLP applications



	Item #	Description
A	CAT53-570	1/4" Female Body
B	CAT53-571	1/4" Male Body
C	CAT53-572	1/4" Female Stem
D	CAT53-573	1/4" Male Stem

A  
B  
C  
D  
E  
F  
G  
H  
I  
J  
K  
L  
M  
N  
O  
P  
Q  
R  
S  
T  
U  
V  
W  
X  
Y

**A TANKS & LINERS**



**2.5 Gallon Pressure Tanks**



- The CA Technologies 2.5 Gallon tanks come with 2 regulators, with or without agitation
- Flat bottom tanks for ease of setting 1 quart or 1 gallon can inside
- All tanks come with wheels for easy maneuverability

Item #	Description	Application
CAT51-202	Teflon coated 2.5 gal. tank with 2 regulators	Solvent based stains, top-coats, primers and adhesives
CAT51-204	Teflon coated 2.5 gal. tank with 2 regulators and agitation	
CAT51-220	Replacement Gasket	-

B  
C  
D  
E  
F  
G  
H  
I  
J  
K  
L  
M  
N  
O  
P  
Q  
R  
S  
T  
U  
V  
W  
X  
Y



**5 Gallon Pressure Tanks  
No Agitation**



- Flat bottom tanks allow for ease of setting 5 gallon cans inside
- Tank comes with wheels for easy maneuverability

Item #	Description	Application
CAT51-504	Heavy gauge steel with baked on enamel, 5 Gal. Tank with 2 regulators, air agitation	Solvent Based Stains, Top coats, Primers and Adhesives
CAT51-508	Heavy gauge steel with baked on enamel, 5 Gal. Tank with 2 Regulators, No agitation	Solvent Based Stains, Top-coats, Primers and Adhesives

CAT51-508



**Tank Liners**



- Sold in full boxes only

Item #	Description	Box Qty
<b>C.A. Technologies Tank Liners</b>		
CAT51-261-12	2.5 Gallon Tank Liners	12
CAT51-261-60	2.5 Gallon Tank Liners	60

**AIR ASSIST AIRLESS GENERAL INFORMATION**

**Air Assist Airless units – for the finest finish & highest transfer efficiency!**

**C.A. Technologies**



The **Bobcat Air Assist Airless** gun is designed for production wood and metal finishing. Features include lightweight design, stainless steel fluid passages and an integrated fluid filter. The handle is ergonomically designed to reduce fatigue and fit comfortably in any size hand. The trigger pull has been designed to be ultra-light resulting in less muscle strain and operator fatigue. An innovative trigger safety has also been integrated into the gun to provide optimum safety. The Bobcat’s superior atomization is achieved with the precise geometry of the airless tip and HVLP air cap, giving you the finest finish possible.

- Fine finish soft spray
- Ergonomic design
- Made in America
- Handgun integrated fluid filter
- 100% Stainless steel fluid passages

**17oz Gun Weight**

The **Cougar Air Assist Airless** is a fine finish gun for production wood or metal fine finish spraying. Features include all stainless steel fluid passages, ergonomic design, integrated fluid filter and easy trigger pull. Superfine soft atomization is achieved with precise geometry of airless fluid tip and low volume aircap that mix at the locus of atomization. Delivers desired finishes at production speeds. Pump (below) and gun system can be operated with a 1.5 HP compressor.

- Fine finish soft spray
- Smooth Fluid Flow Path
- Made in America
- Handgun integrated fluid filter
- 100% Stainless steel fluid passages

**23oz Gun Weight**

**For Bobcat & Cougar setups,  
See next 2 pages**

A  
B  
C  
D  
E  
F  
G  
H  
I  
J  
K  
L  
M  
N  
O  
P  
Q  
R  
S  
T  
U  
V  
W  
X  
Y

**AIR ASSIST AIRLESS OUTFITS**

A  
B  
C  
D  
E  
F  
G  
H  
I  
J  
K  
L  
M  
N  
O  
P  
Q  
R  
S  
T  
U  
V  
W  
X  
Y



Cart Mount

**Bobcat Air Assist Airless Gun**



- Lightweight design, stainless steel fluid passages and an integrated fluid filter
- Handle is ergonomically designed to reduce fatigue and fit comfortably in any size hand
- Trigger pull is designed to be ultra light, resulting in less strain and operator fatigue
- Innovative trigger safety has been integrated into the gun to provide optimum safety
- Superior atomization is achieved with the precise geometry of the airless tip and HVLP air cap, giving you the finest finish possible
- Gun weight 17 oz

**Get the finest finish available!**



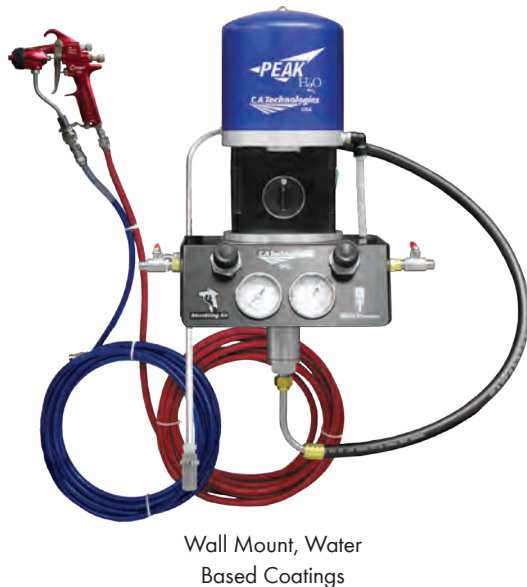
Wall Mount

Item #	Style	Includes
<b>Air Assist Airless Outfit, Solvent Based Materials</b>		
CATOB14-C5-411	Cart Mount	Bobcat gun, 5 gallon pump and cart with 25' fluid and air hose, .411 tip
CATOB14-C5-513	Cart Mount	Bobcat gun, 5 gallon pump and cart with 25' fluid and air hose, .513 tip
CATOB14-W5-411	Wall Mount	Bobcat gun, wallmount 5 gal. pump and siphon hose, 1/8" fluid hose and 1/4" air hose, .411 tip
<b>Accessories</b>		
CATBOBCAT-411	Bobcat	Bobcat gun only, with .411 tip
CAT10-138	Bobcat	Gun Repair Kit
CAT10-137	Bobcat	Soft Seal Repair Kit
CAT10-116	AAA	Air Motor Repair Kit
CAT10-117	AAA	14:1 Fluid Section Repair Kit
CAT36-411	AAA	.411 Tip Assembly
CAT36-413	AAA	.413 Tip Assembly

**AIR ASSIST AIRLESS OUTFITS**



**Get the finest finish available!**



**Cougar Air Assist Airless Gun**



- Fine finish gun for production wood fine finish spraying
- All stainless steel fluid passages, ergonomic design, integrated fluid filter and easy trigger pull
- Superfine soft atomization is achieved with precise geometry of the airless fluid tip and low volume aircap
- Deliver desired finished at production speed
- Gun weight 23 oz

Item #	Style	Includes
<b>Air Assist Airless Outfit, Water Based Materials</b>		
CATH20OC14W512409	Wall Mount	Cougar gun, 5 gal. pump and siphon hose, 3/16" fluid hose and 1/4" air hose, .409 tip
CATH20OC14C512409F	Cart Mount	Cougar gun, 5 gallon pump and cart with 25' fluid and air hose, .409F Opti-tip
CATH20OC14W512409F	Wall Mount	Cougar gun, wallmount 5 gal. pump and siphon hose, 3/16" fluid hose and 1/4" air hose, .409F Opti-tip
<b>Air Assist Airless Outfit, Solvent Based Materials</b>		
CATOC14-C5-411	Cart Mount	Cougar gun, 5 gallon pump and cart with 25' fluid and air hose, .411 tip
CATOC14-C5-513	Cart Mount	Cougar gun, 5 gallon pump and cart with 25' fluid and air hose, .513 tip
CATOC14-W5-411	Wall Mount	Cougar gun, wallmount 5 gal. pump and siphon hose, 3/16" fluid hose and 1/4" air hose, .411 tip
CATOC14-W5-12-411	Wall Mount	Cougar gun, wallmount 5 gal. pump and siphon hose, 3/16" fluid hose and 1/4" air hose, .411 tip, 1/2" Inlet
CATOCW5-413	Wall Mount	Cougar gun, wallmount 5 gal. pump and siphon hose, 3/16" fluid hose and 1/4" air hose, .413 tip
<b>Accessories</b>		
CATCOUGAR-C411	Cougar	Cougar Gun only, with .411 tip
CAT10-113	Cougar	Gun Repair Kit
CAT10-116	AAA	Air Motor Repair Kit
CAT10-117	AAA	14:1 Fluid Section Repair Kit
CAT36-411	AAA	.411 Tip Assembly
CAT36-413	AAA	.413 Tip Assembly

A  
B  
C  
D  
E  
F  
G  
H  
I  
J  
K  
L  
M  
N  
O  
P  
Q  
R  
S  
T  
U  
V  
W  
X  
Y

**AIR ASSIST AIRLESS ACCESSORIES**

**AAA Accessories & Replacement Components**

• Check your owners manual / parts list before ordering



Item #	Description
CAT36-311	.311 Tip Assembly
CAT36-409	.409 Tip Assembly
CAT36-409F	.409 Opti Tip Assembly
CAT36-411F	.411 Opti Tip Assembly
CAT36-415	.415 Tip Assembly
CAT36-511	.511 Tip Assembly
CAT36-513	.513 Tip Assembly
CAT36-515	.515 Tip Assembly
CAT36-517	.517 Tip Assembly
CAT36-611	.611 Tip Assembly
CAT36-613	.613 Tip Assembly
CAT36-713	.713 Tip Assembly

Item #	Description
CAT26-101P	Air Cap Assembly
CAT66-103	Air Cap Adapter
CAT66-124	Filter Element, 60 Mesh
CAT66-125	Filter Element, 100 Mesh
CAT66-130	Needle/Ball Cartridge Assembly
CAT74-510	Siphon Hose Strainer Assembly, 3/8"
CAT74-511	Siphon Hose Strainer Assembly, 1/2" H2O
CAT74-560	Replacement Inlet Strainer Screen
CAT74-561	Siphon Hose Strainer 3/8"
CAT98-8019	O-Ring for Air Cap Adaptor



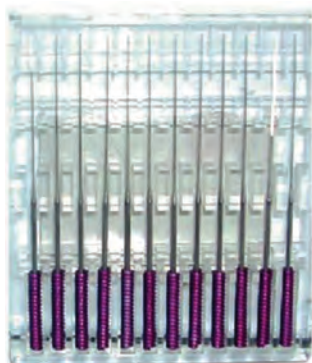
CAT53-404A

**High Pressure Hoses**

• For use with Air Assist Airless units



Item #	Type	Description
CAT53-402A	Fluid and Air	3/16" ID fluid hose with 1/4" connections & 1/4" ID air hose with 1/4" NPS Fittings, 25' length
CAT53-404A	Fluid and Air	1/8" ID fluid hose with 1/4" connections & 1/4" ID air hose with 1/4" NPS & 3/8" NPS Fittings, 25' length
CAT53-404-35A	Fluid and Air	1/8" ID fluid hose with 1/4" connections & 1/4" ID air hose with 1/4" NPS & 3/8" NPS Fittings, 35' length
CAT53-402	Fluid	3/16" ID, 1/4" connections, 25' length
CAT53-404	Fluid	1/8" ID, 1/4" connections, 25' length
CAT53-111-25	Air	1/4" ID, 1/4" NPS fittings on both ends, 25' length



CAT91-215



CAT91-36

**Air Assist Airless Maintenance**



Item #	Includes
CAT91-215	12 Pack Tip Cleaning Needles
CAT91-36	Throat Seal Lubricant

**MANUAL SPRAY GUNS**



**FStart Suction-Feed Spray Gun, Conventional**



The FStart S is the right conventional solution for hard to atomize coatings with an entry-level price.

- Accessible for beginners and professional painters
- Comfortable for all hands
- Easy cleaning

**Specifications:**

- Gun Body: Cast Aluminum
- Nozzle: Stainless steel
- Needle: Stainless steel
- Wetted Parts: Stainless steel / aluminum
- Weight: 14 oz. without cup, 26 oz. with cup
- Air Inlet: M 1/4" NPS
- Fluid Inlet: M 3/8" NPS

Item #	Includes:
KRE135.756.518	Gun, cup, gun wrench and 1.8mm nozzle



**FStart Gravity-Feed Spray Gun, Conventional & HVLP**



Multi-purpose economy gun, the FStart G is easy to use and guarantees a high quality finish.

- Great finish quality
- Great value
- Includes gravity cup
- Accessible for beginners and professional painters
- Comfortable for all hands
- Easy cleaning

**Specifications:**

- Gun Body: Cast Aluminum
- Nozzle: Stainless steel
- Needle: Stainless steel
- Wetted Parts: Stainless steel / aluminum
- Weight: 14 oz. without cup, 19 oz. with cup
- Air Inlet: M 1/4" NPS

Item #	Type	Includes:
KRE135.756.115	HVLP	Gun, cup, gun wrench and 1.5mm nozzle
KRE135.756.118	HVLP	Gun, cup, gun wrench and 1.8mm nozzle
KRE135.756.218	Conventional	Gun, cup, gun wrench and 1.8mm nozzle

A  
B  
C  
D  
E  
F  
G  
H  
I  
J  
K  
L  
M  
N  
O  
P  
Q  
R  
S  
T  
U  
V  
W  
X  
Y

**A MANUAL SPRAY GUNS**



**FPro Gravity-Feed Spray Gun, Conventional & HVLP**

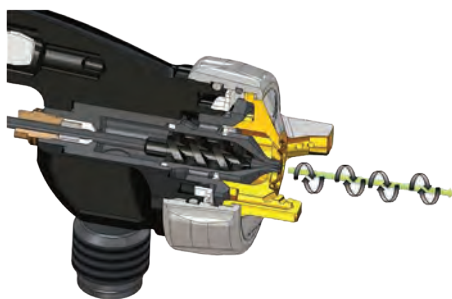
Perfectly balanced, the FPro G spray gun provides a superior finish for all professional painters in industrial markets.

- Patented Vortex technology
- Includes anti-drip cup
- For all wood finishes

**Specifications:**

- Gun Body: Anodized Forged Aluminum
- Nozzle: Stainless steel
- Needle: Stainless steel
- Wetted Parts: Stainless steel
- Weight: 22 oz.
- Air Inlet: M 1/4" NPS

Item #	Type	Includes:
KRE136.794.318	Conventional	Gun, cup, gun wrench and 1.8mm nozzle
KRE136.797.418	HVLP	Gun, cup, gun wrench and 1.8mm nozzle



**Embedded Innovations:**

**VORTEX**



Produces a swirling effect to the paint allowing the paint to leave the nozzle under a helical-shape pattern to improve the homogeneity of the film build.

**MAG-TRIGGER**



Magnetic Assist Trigger for light trigger pull.



**MANUAL SPRAY GUNS**



**FStart Pressure-Feed Spray Gun, HVLP**



The FStart P is the right solution to spray low to medium viscosity material at a reduced price ensuring a good spray quality.

- Great finish quality
- Easy to service

**Specifications:**

- Gun Body: Cast Aluminum
- Nozzle: Stainless steel / aluminum
- Needle: Stainless steel
- Wetted Parts: Stainless steel / aluminum
- Weight: 15 oz.
- Air Inlet: M 1/4" NPS
- Fluid Inlet: M 3/8" NP

Wide range of nozzles available!

Item #	Includes:
KRE135.756.312	Gun, gun wrench and 1.2mm nozzle



**FPro P Pressure-Feed Spray Gun, LVLP & HVLP**

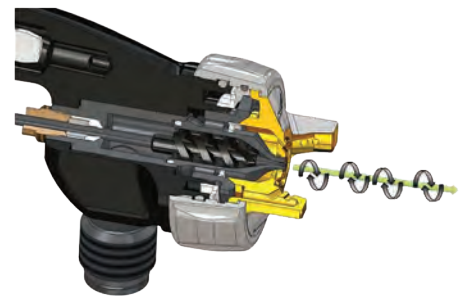


Perfectly balanced, the FPro P spray gun provides a superior finish for all painters.

- Includes patented Vortex and Restrictor technology
- Ergonomic design reduces painter fatigue
- Consistent, repeatable, high-quality finish
- Anodized Forged Aluminum

**Specifications:**

- Gun Body: Anodized Forged Aluminum
- Nozzle: Stainless steel
- Needle: Treated Stainless steel
- Wetted Parts: Stainless steel
- Weight: 17 oz.
- Air Inlet: M 1/4" NPS
- Fluid Inlet: M 3/8" NPS



Item #	Type	Includes:
KRE135.770.512	LVLP	Gun, gun wrench and 1.2mm nozzle
KRE135.777.512	HVLP	Gun, gun wrench and 1.2mm nozzle

**Embedded Innovations:**

**VORTEX**



Produces a swirling effect to the paint allowing the paint to leave the nozzle under a helical-shape pattern to improve the homogeneity of the film build.

**RESTRICTOR**



Calibrates the flow rate to create a controlled pressure loss upstream allowing an increase in the working pressure for an enhanced Airspray experience.

A  
B  
C  
D  
E  
F  
G  
H  
I  
J  
K  
L  
M  
N  
O  
P  
Q  
R  
S  
T  
U  
V  
W  
X  
Y

**A MANUAL SPRAY GUN SET-UPS**

B  
C  
D  
E  
F  
G  
H  
I  
J  
K  
L  
M  
N  
O  
P  
Q  
R  
S  
T  
U  
V  
W  
X  
Y



**FStart HVLP Gun with 2.5-gal Pressure Tank**



The FStart is a multi-purpose economy gun that's easy to use and guarantees a high quality finish.

- Includes single regulated tank
- Includes 25ft hoses
- 1.2mm nozzle set up

**Gun Specifications:**

- Gun Body: Cast Aluminum
- Nozzle: Stainless steel / aluminum
- Needle: Stainless steel
- Wetted Parts: Stainless steel / aluminum
- Weight: 14 oz.
- Air Inlet: M 1/4" NPS
- Fluid Inlet: M 3/8" NPS

Item #	Includes:
KRE152.756.425	FStart P HVLP gun with 1.2mm nozzle and 2.5 gallon carbon steel tank with stainless fittings



**Glue Spray System, Single Regulator**



- Includes 2.5-gal pressure tank, FPro Gun, and 25ft hose set
- Tank is carbon steel with stainless fittings
- Ideal set up for both water based and solvent based contact adhesives
- High transfer efficiency up to 78%
- Optimized maintenance and easy disassembly

Item #
KRE668.222.015

**SPRAY GUN ACCESSORIES**



**FStart Needle and Nozzle Kits**



Item #	Type	Nozzle Size	Fluid Output (cc/min)
KRE131.756.118	HVLP	1.8mm	140
KRE131.756.218	CONV	1.8mm	200

A  
B  
C  
D  
E  
F  
G  
H  
I  
J  
K  
L  
M  
N  
O  
P  
Q  
R  
S  
T  
U  
V  
W  
X  
Y



**Gun Cleaning Kit**

Includes: 1/4" nylon brush, gun lubricant, tip cleaning needles, cleaning needle pin vise.



Item #
KRE668.000.395



**Air Hose**

- Thermoplastic Polyurethane hose is lightweight and flexible
- With 1/4" fittings



Item #	Diameter	Length	Color
KRE050.382.114	1/4"	25'	Black
KRE050.382.116	1/4"	50'	Black

**A TANKS & ACCESSORIES**

B  
C  
D  
E  
F  
G  
H  
I  
J  
K  
L  
M  
N  
O  
P  
Q  
R  
S  
T  
U  
V  
W  
X  
Y



KRE668.222.140

**Pressure Tank 2.5 Gal, Dual Regulators**



- Use with any Conventional, LVLP, or HVLP spray guns
- Carbon steel with stainless fittings
- Fluid and air pressure regulators
- Easy to use and easy maintenance
- Lube-free and high performing premium agitator (KRE668.222.150 only)

Item #	Agitator
KRE668.222.140	No
KRE668.222.150	Yes



KRE668.222.150



**Tank Liners, 2.5 gallon**



- Speed up clean up with these tank liners
- Sold in packs of 10

Item #
KRE668.222.032



**5 Gallon Pail Mount Agitator**



- 5 Gallon stainless steel agitator with cover and nylon blade
- Pneumatic motor
- 60 to 300 RPM
- Stainless steel construction

Item #
KRE668.668.806

**AIRMIX® GUNS**



**SFlow™ 275 Airless® Spray Gun**



The SFlow™ is an Airless® paint sprayer used for applying protective coatings. This gun delivers real product savings for industrial applications. The ergonomic design provides flexibility in extreme conditions and is ideal for handling high solid content paints and zinc-rich primers.

- Order tip separately
- Excellent for spray stains when used with SKILL™ Tip
- High transfer efficiency of 81%
- Good atomization quality
- Designed for heavy-duty industrial applications
- Maximum Fluid Pressure 4,000 psi

**Specifications:**

- Gun Body: Forged Aluminum
- Wetted Parts: Stainless steel, PTFE, carbide
- Weight: 21 oz.
- Fluid Inlet: M 1/4" NPS

Item #	Includes:
KRE135.740.200	Gun, filter and tip retainer (tip not included, see below)
KRE000.300.713	7 - 13 (.512) tip, .012 orifice, 10" pattern
KRE000.300.715	7 - 15 tip, .012 orifice, 10" pattern
KRE000.300.913	9 - 13 (.613 tip, .013 orifice, 10" pattern



**Xcite™ Airmix® Spray Gun, HVLP Compliant**



- The Xcite™ Airmix® manual spray gun delivers outstanding performance with unsurpassed finish quality
- Product savings & environmental protection due to high transfer efficiency (up to 86%)
- Unsurpassed atomization quality of spraying
- Ergonomically designed for outstanding performance

**Specifications:**

- Gun Body: Forged Aluminum
- Wetted Parts: Stainless steel, PTFE, carbide
- Weight: 18 oz.
- Air Inlet: M 1/4" NPS
- Fluid Inlet: M 1/2" JIC

Item #	Includes:
KRE668.720.100	Xcite™ 120 with swivel, air cap, and 09-114 tip



A  
B  
C  
D  
E  
F  
G  
H  
I  
J  
K  
L  
M  
N  
O  
P  
Q  
R  
S  
T  
U  
V  
W  
X  
Y

**AIRMIX® SYSTEMS**

A  
B  
C  
D  
E  
F  
G  
H  
I  
J  
K  
L  
M  
N  
O  
P  
Q  
R  
S  
T  
U  
V  
W  
X  
Y



Cart Mount

**10C18 Airmix® System**



The 10C18 Airmix professional paint sprayer is only available as a complete spraying package. It ensures constant and pulse-free delivery for a superior finish.

- Includes Xcite™ Gun, 25ft hoses and 5-gal siphon kit
- Up to 86% transfer efficiency
- Stainless steel fluid section
- Designed for long-lasting industrial use
- Fast color changes with minimum solvent consumption
- Built with minimal parts to minimize maintenance time and operation
- 10:1 pressure ratio (up to 1,000 psi fluid pressure)
- .28 gallons per minute flow rate

Item #	Type
KRE668.665.751	Wall Mount
KRE668.665.759	Cart Mount



**15C25 Wall-mount Airmix® System**



The compact Airmix® painting pump is the ideal partner for Airmix® spray guns, providing exceptional finish quality & high transfer efficiency.

- Includes Xcite™ gun, 25ft hose and 5- gal siphon kit
- Excellent finish quality
- Pump designed to work with all coatings including water borne and 2K (2 component)
- Single gun system
- Built with minimal parts
- Low cost of ownership
- 15:1 pressure rate (up to 1,500 fluid pressure)
- .4 gallons per minute flow rate

Item #
KRE668.141.000



**AIRMIX® SYSTEMS**

A  
B  
C  
D  
E  
F  
G  
H  
I  
J  
K  
L  
M  
N  
O  
P  
Q  
R  
S  
T  
U  
V  
W  
X  
Y



**15C50 Wall-Mount Airmix® System**



- Includes Superfilter, Xcite™ Gun, 25ft hose, and 5-gal siphon kit
- Capable of running 2 guns
- Pump designed to work with all coatings including water borne and 2K (2 component)
- Built with minimal parts
- Low cost of ownership
- 15:1 pressure ratio (up to 1,500 psi fluid pressure)
- .8 gallons per minute flow rate

<b>Item #</b>
KRE668.143.000



**16C240 Wall-Mount Airmix® Pump**



The 16C240 is a medium pressure/medium output paint pump. Recommended for 1 to 8 Airmix® gun operations.

- Includes Superfilter and 5-gal siphon
- Stainless steel fluid section
- 16:1 pressure ratio (up to 1,600 psi fluid pressure)
- 3.8 gallons per minute flow rate
- Perfect for flatline operations
- Long life packings

<b>Item #</b>
KRE151.797.200



**20C50 Wall-mount Airmix® System**



The 20C50 paint pump is the perfect pump for Airmix® applications with its exceptional performance.

- Includes Xcite™ Gun, Superfilter, 25ft hoses, and 5-gal siphon
- Will support 2 spray guns
- Excellent finish quality
- Up to 86% transfer efficiency
- Ideal for Airmix® applications
- High efficiency pump for maximum energy savings
- Optimized construction for simple & quick maintenance
- 20:1 pressure ratio (up to 2,000 psi fluid pressure)
- .8 gallons per minute flow rate

<b>Item #</b>
KRE668.773.100

**AIRMIX® SYSTEMS & ACCESSORIES**



**PU2160F Airmix® 2K Mixing System**



The PU2160F mechanical meter mixing machine comes ready to use for 2K materials. It includes a metering pump (fixed ratio) for medium Airmix® pressures and incorporates the Flowmax® Bellows technology on the catalyst fluid section for total reliability.

- 10:1 Mix ratio
- Designed for conversion varnish application
- Includes Xcite™ Gun, 25ft hoses and 5-gal siphon kit
- Durable pump design
- Easy to operate

<b>Item #</b>
KRE668.586.101

**Reduce labor and waste from manual mixing**

A  
B  
C  
D  
E  
F  
G  
H  
I  
J  
K  
L  
M  
N  
O  
P  
Q  
R  
S  
T  
U  
V  
W  
X  
Y



**Cyclomix™ Micro 3+1PH**



The Plural Component Electronic Mixing & Dosing System allows the user to dose, mix & continuously deliver two-component paints.

- Mix conversion varnish on demand
- Supports 3 bases and 1 catalyst
- Reduce labor and waste created with manual mixing
- Significant material savings

**Contact your WLAC Sales Representative for a quote or more information**



**Airmix® Tips**



- Double groove spray tips are used with Airmix® gun models: ATX, AVX, MVX, and XCITE®

Item #	Tip Size	Degree	Orifice Size	Fan Pattern
KRE134.506.134	06 - 134 (.511)	55	0.011	10 - 11 inches
KRE134.506.094	06 - 094 (.411)	40	0.011	7 - 8 inches
KRE134.509.134	09 - 134 (.513)	55	0.013	10 - 11 inches
KRE134.509.154	09 - 154 (.613)	60	0.013	11 - 12 inches
KRE134.509.132	09 - 132 (.513)	55	0.013	10 - 11 inches
KRE134.509.094	09 - 094 (.413)	40	0.013	7 - 8 inches
KRE134.512.114	12 - 114 (.515)	50	0.015	8 - 10 inches
KRE134.512.094	12 - 094 (.415)	40	0.015	7 - 8 inches
KRE134.512.154	12 - 154 (.615)	60	0.015	11 - 13 inches
KRE134.509.114	09 - 114 (.513)	50	0.013	8 - 10 inches



**AIRMIX® ACCESSORIES**



**Airmix® Fluid Hoses**

- Treated Stainless Steel fittings
- With Spring



Item #	Diameter	Length	PSI	Color
KRE050.450.605	3/16"	25'	3,500	Green
KRE050.450.607	3/16"	50'	3,500	Green



**Airmix® Tip Cleaning Needles**

- Sold 12 per pack (order as 1)



Item #	For Nozzle Size
KRE000.094.000	≤ 0.9mm
KRE000.094.002	≥ 0.9mm



Microscreen



Tip Seals

**Airmix® Microscreens & O-Rings**

- Pack of 10



Item #	Description
KRE129.609.901	Microscreen, for tips #6 and smaller
KRE129.529.903	Tip Seals



**Airmix® Screen for Filter**

- Stainless steel screen for filter
- For gun fluid filter
- Sold by pack of 5



Item #	Description	Size
KRE129.609.908	#6	168 Micron (85 mesh)
KRE129.609.909	#12	280 Micron (60 mesh)

A  
B  
C  
D  
E  
F  
G  
H  
I  
J  
K  
L  
M  
N  
O  
P  
Q  
R  
S  
T  
U  
V  
W  
X  
Y

A

**ACCUSPRAY™ ONE, LEGACY VERSION 1.0 PPS™**

B

C

D

E

F

G

H

I

J

K

L

M

N

O

P

Q

R

S

T

U

V

W

X

Y



**Accuspray™ ONE Spray Gun Kit with PPS, Legacy 1.0**



- The Accuspray™ replaceable atomizing head spray gun eliminates spray gun maintenance kits
- Visually confirm the spray gun is clean and offers the performance of a brand new spray gun
- **Includes:** 1 each Accuspray™ ONE Spray Gun with color indicator rings, 4 Accuspray™ atomizing heads in sizes 1.2 mm, 1.3 mm, 1.4mm and 1.8mm, an airflow control valve, 5 each liners and lids (1 each w/ 125 micron filter, 4 each w/ 200 micron filter), 1 each standard size 22oz PPS™ hard cup and retaining ring, 1 mixing/measuring insert and an instruction manual

<b>Item #</b>
MGPPS-16580



**Accuspray™ ONE Replacement Spray Gun, Legacy 1.0**



- 3M™ Accuspray™ ONE Replacement Spray Gun, color indicator rings, nozzle indicator insert, and an airflow control valve
- No atomizing heads are included in this package

<b>Item #</b>
MGPPS-16579



**3M™ Accuspray™ Atomizing Heads, Legacy 1.0**



- Replaceable atomizing heads for use with 3M™ Accuspray™ Spray Guns with replaceable atomizing head technology
- Refill kits contain four atomizing heads

Item #	Color	Size
MH16609	Red Opaque	2.0mm
MH16611	Clear	1.8mm
MH16612	Orange	1.4mm
MH16614	Green	1.3mm
MH16615	Blue	1.2mm



**3M™ PPS™ Adapters, Legacy 1.0**



- 3M makes adapters to convert virtually any spray gun to PPS™
- If yours is not listed below, contact Customer Service with your gun information
- Sold by the each

Item #	Use With		
	CA Tech	Graco	SATAjet
MGPPS-16003	Jaguar, Techline	LT200, LT300	B, B NR-92, B NR-95

**PPS™ ACCESSORIES, LEGACY VERSION 1.0**



Regular Style



H/O Pressure Style

**3M™ PPS™ Cups & Collars, Legacy 1.0**



- Hard cup and collar set that supports and holds the flexible liners used in PPS™

Item #	Description	Box Qty
MGPPS-16115	PPS Cup and Collar, Mini, 6 oz	2 Cups & Collars
MGPPS-16001	PPS Cup and Collar, Standard, 22 oz	2 Cups & Collars
MGPPS-16023	PPS Cup and Collar, Large, 28 oz	1 Cup & Collar
MGPPS-16124	H/O Pressure PPS Cup and Collar, Large, 28 oz	1 Cup & Collar



**3M™ PPS™ Lid & Liner Kits, Legacy 1.0**



- Liners & lids with filters

Item #	Size	Lids per Kit	Liners Per Kit	Plugs per Kit
<b>With 125 Micron Filters</b>				
MGPPS-16300	Standard, 22 oz	50	50	20
<b>With 200 Micron Filters</b>				
MGPPS-16114	Mini, 6 oz	50	50	20
MGPPS-16112	Mid, 13.5 oz	50	50	20
MGPPS-16000	Standard, 22 oz	50	50	20
MGPPS-16024	Large, 28 oz	25	25	10



**3M™ PPS™ Liners, Legacy 1.0 and 2.0**



- Liners only for use with 3M PPS
- Ideal for industrial applications, several repetitive or batch applications
- Compatible with both PPS™Version, Legacy 1.0 and 2.0

Item #	Size	Box Quantity
MGPPS-16348	Mini, 6 oz	100
MGPPS-16350	Standard, 22 oz	100
MGPPS-16351	Large, 28 oz	100

A  
B  
C  
D  
E  
F  
G  
H  
I  
J  
K  
L  
M  
N  
O  
P  
Q  
R  
S  
T  
U  
V  
W  
X  
Y

**A ACCUSPRAY™ ONE, VERSION 2.0 PPS™**



**3M™ Accuspray™ ONE Pro Spray Gun Kits, Version 2.0**

The 3M™ Accuspray™ ONE Spray Gun System with Standard PPS™ Series 2.0 combines the simplicity and easy maintenance of our Accuspray™ spray gun with the material-saving, rapid clean-up convenience of PPS™ Series 2.0, the next generation, highest performing disposable spray cup system. Replaceable atomizing heads afford the performance of a new gun, on demand and at a fraction of the cost.

**Includes:**

**MGPPS-26578**

- Accuspray™ ONE Spray Gun
- Five replaceable atomizing heads in 2.0 mm (red), 1.8 mm (clear), 1.4 mm (orange), 1.3 mm (green) and 1.2 mm (blue) for spraying of primer, sealer, base and clear coat

**MGPPS-26580**

- Same as MGPPS-26578 plus: (1) Air Flow Control Valve, (1) 22 oz. Mixing Cup, (5) each Disposable Lids & Liners, Sealing Plugs

Item #	Description
MGPPS-26578	Gun and Head Kit
MGPPS-26580	Gun Starter Kit, no heads included

B  
C  
D  
E  
F  
G  
H  
I  
J  
K  
L  
M  
N  
O  
P  
Q  
R  
S  
T  
U  
V  
W  
X  
Y

**3M™ Accuspray™ Atomizing Heads, Version 2.0**



- Designed specifically for use with PPS™ Series 2.0 – the next generation, highest performing disposable spray cup system
  - tomizing heads are available in a variety of sizes for spraying of primer, sealer, base and clear coat
  - All atomizing heads are interchangeable for use with Accuspray™ ONE Spray Gun
  - Size is presented clearly on each atomizing head for fast, accurate selection
  - Fast, simple head replacement affords the performance of a brand new spray gun on demand
  - See-through design makes it easy to see when the heads are clean
- Sold in: Full packs of 4 heads.

Item #	Color	Size
MGPPS-26612	Blue	1.2mm
MGPPS-26613	Green	1.3mm
MGPPS-26614	Orange	1.4mm
MGPPS-26618	Clear	1.8mm
MGPPS-26620	Red Opaque	2.0mm

**PERFORMANCE GUN, VERSION 2.0 PPS**



**3M™ PPS™ Performance Spray Gun System, Gravity, Version 2.0**



3M's first ever spray gun designed specifically to save you time while delivering top-of-the-line performance. Its integrated system includes quick-change replaceable atomizing heads and 3M™ PPS™ Series 2.0 Spray Cups, which makes for faster cleanup, changeovers and cycle times.

- Precision spray performance with high transfer efficiency (78%) and large, adjustable fan pattern
- Faster clean up and change overs that can help improve your cycle times
- Lightweight, impact resistant gun (8.4 oz) is made of nylon composite with stainless steel strands for durability
- Can be converted from gravity to pressure style by switching out heads and adding pressure whip
- Quick-change, replaceable atomizing heads connect directly to 3M™ PPS™ Series 2.0 Spray Cup System

**Includes:** 1 spray gun, 1 air control valve, 1 locking collar, 15 gravity atomizing heads, 1 3M™ PPS™ Series 2.0 mixing cup, 5 lids and liners, 3 sealing plugs.

<b>Item #</b>
MGPPS-26778



**3M™ PPS™ Performance Spray Gun System, Gravity / Pressure Version 2.0**



3M's first ever spray gun designed specifically to save you time while delivering top-of-the-line performance. Its integrated system includes quick-change replaceable atomizing heads and 3M™ PPS™ Series 2.0 Spray Cups, which makes for faster cleanup, changeovers and cycle times.

- Precision spray performance with high transfer efficiency (78%) and large, adjustable fan pattern
- Faster clean up and change overs that can help improve your cycle times
- Lightweight, impact resistant gun (8.4 oz) is made of nylon composite with stainless steel strands for durability
- Includes components required to use as either a pressure or gravity gun
- Quick-change, replaceable atomizing heads connect directly to 3M™ PPS™ Series 2.0 Spray Cup System

**Includes:** Spray gun, air control valve, pressure whip, pressure and gravity atomizing heads, PPS Series 2.0 lids, liners and plugs.

<b>Item #</b>
MG26878

A  
B  
C  
D  
E  
F  
G  
H  
I  
J  
K  
L  
M  
N  
O  
P  
Q  
R  
S  
T  
U  
V  
W  
X  
Y

**A PERFORMANCE GUN, VERSION 2.0 PPS**



**3M™ PPS™ Performance Spray Gun Version 2.0**



3M's first ever spray gun designed specifically to save you time while delivering top-of-the-line performance. Its integrated system includes quick-change replaceable atomizing heads and 3M™ PPS™ Series 2.0 Spray Cups, which makes for faster cleanup, changeovers and cycle times.

- Precision spray performance with high transfer efficiency (78%) and large, adjustable fan pattern
- Lightweight, impact resistant gun (8.4 oz) is made of nylon composite with stainless steel strands for durability
- Quickly converts between pressure-fed systems and gravity-fed 3M™ PPS™ Series 2.0 Spray Cup System

**Includes:** Spray gun and air control valve only.

<b>Item #</b>
MGPPS-26832

**J 3M™ Performance Atomizing Heads Version 2.0**



- Quick-change nozzles for spraying a wide range of coatings
- Like-new spray performance with each new atomizing head
- Use exclusively with the 3M™ Performance Spray Gun and 3M™ PPS™ Series 2.0 Spray Cup System

**Packing:**

**Gravity Heads:** 5 per pack. Variety pack contains 1 of each Gravity Head, 6 heads total.

**Pressure Heads:** 10 per pack. Variety pack contains 2 of each Pressure Head, 6 heads total.



Color	Size	Gravity Head Item #	Pressure Head Item #
Red	2.0mm	MG26720	-
Clear	1.8mm	MG26718	MGPPS-26818
Purple	1.6mm	MG26716	-
Orange	1.4mm	MG26714	MGPPS-26814
Green	1.3mm	MG26713	-
Blue	1.2mm	MG26712	-
Yellow	1.1mm	-	MGPPS-26811
Variety Pack	See above	MG26730	MGPPS-26830

**T 3M™ Performance Gun Accessories Version 2.0**



- Accessories for use with 3M™ Performance Gun, Version 2.0



	Item #	Description
A	MGPPS-26833	Pressure Whip
B	MGPPS-26834	Pressure Whip Pin (4 pack)
C	MGPPS-26838	Spray Gun Needle, Stainless Steel
D	MGPPS-26839	Pressure Gun Ball Valve

## PPS™ ACCESSORIES, VERSION 2.0



### 3M™ PPS™ Cups, Version 2.0



- Hard cups designed specifically for 3M™ PPS™ Series 2.0
- Mix ratios built into every hard cup – no need for separate inserts
- Clear access window lets you firmly grasp the liner, making lid removal easier during tinting/refilling
- ‘Max Fill’ notation allows users to fit maximum amount of fluid in cup
- Designed for use with quarter-turn PPS™ Series 2.0 lid locking system for faster, easier assembly
- Sold by the box

Item #	Description	Box Qty
MGPPS-26115	PPS Cup only, Mini, 6 oz	2
MGPPS-26122	PPS Cup only, Midi, 13.5 oz	2
MGPPS-26001	PPS Cup only, Standard, 22 oz	2
MGPPS-26023	PPS Cup only, Large, 28 oz	2



### 3M™ PPS™ Cup, Lid & Liner Kits, Version 2.0



- 1 reusable paint cup, 50 lids, 50 liners and 32 sealing plugs
- With each lid you get an integrated quarter-turn locking collar, which helps eliminate cross-threading and paint buildup, and a built-in filter, commonly used for solvent-based paint coatings

Packing & Sold In: Full kits as shown below.

Size	Item # (with 125 Micron Filters)	Item # (with 200 Micron Filters)
Micro, 3 oz.	MGPPS-26328	MGPPS-26028
Mini, 6 oz.	MGPPS-26314	MGPPS-26114
Midi, 13.5 oz	MGPPS-26312	MGPPS-26112
Standard, 22 oz.	MGPPS-26301	MGPPS-26000
Large, 28 oz.	MGPPS-26325	MGPPS-26024



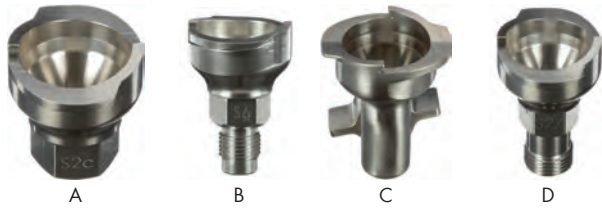
### 3M™ PPS™ Liners, Legacy 1.0 and 2.0



- Liners only for use with 3M PPS
- Ideal for industrial applications, several repetitive or batch applications
- Compatible with both PPS™Version, Legacy 1.0 and 2.0

Item #	Size	Box Quantity
MGPPS-16348	Mini, 6 oz	100
MGPPS-16350	Standard, 22 oz	100
MGPPS-16351	Large, 28 oz	100

**PPS™ ACCESSORIES, VERSION 2.0 & SPRAY BOOTH ACCESSORIES**



**3M™ PPS™ Adapters, Version 2.0**



- 3M makes adapters to convert virtually any spray gun to PPS™
- If yours is not listed below, contact Customer Service with your gun information
- Sold by the each

		Use With					
Item #	Binks	CA Tech	Graco	Kremlin	SATAjet	Iwata	
A	MGPPS-26003	-	Jaguar J100H, SLP, 100C, 300C, Techline T3	LT200, LT300	-	B, B NR-92, B NR-95	-
B	MGPPS-26007	-	-	-	M21-G, M22, Hi-G, S3G HPA	-	-
C	MGPPS-26054	95, 95 SL, 95 SLV, Mach 1, Mach 1SL, Mach 1 FeatherLite, 2001, 2001 SS, 2001 V, 7, SV-100 Siphon	Panther P100G	AirPro Siphon, FinishPro HVLP Edge	-	H	-
D	MGPPS-26119	BHV, SV-50 Pro Series	-	-	-	-	-
E	MGPPS-26103	-	-	-	-	-	LPSI, W101 Siphon, W200 Siphon, W77 Siphon & Pressure
F	MGPPS-26127	-	-	-	-	-	LPH-80 Mini



**3M™ Dirt Trap Protection Material**



- Non-woven surface protection material with adhesive backing
- Designed to protect surfaces while trapping dust, dirt, and paint overspray
- Applicators available Special Order

Item #	Size	Color	Application
MH36851	14" x 300'	White	Floors/Walls
MH36852	28" x 300'	White	Floors/Walls
MH36853	56" x 300'	White	Floors/Walls



**Spray Booth Floor Paper, Flame Retardant**



- 100 lb. flame retardant floor paper for spray booth floor applications
- Bright white color, excellent strength characteristics

Item #	Roll Size
CHE36KSFRP36X300	36"W x 300'L
CHE42KSFRP42X300	42"W x 300'L
CHE60KSFRP60X300	60"W x 300'L
CHE72SKFRP72X300	72"W x 300'L



**SPRAY BOOTH ACCESSORIES**



**Paint Pockets® Overspray Arrestors**



- Unique design holds up to five times more overspray than other filters
- Enables you to cut your filter changes by up to 80%
- The three dimensional “pockets” embedded in the front face more than double its surface area, allowing the arrestor to capture and hold very large quantities of overspray
- Sold by the box

Item #	Size	Color	Efficiency	Box Qty
PP-020-020-030	20" x 20"	White	99.84%	30
PP-020-025-040	20" x 25"	Green	99.43%	40
YPPP	20" x 20"	Green	99.43%	40



**Fiberglass Paint Arrestors  
Mono-Heavy Duty Applications**



- 2" thick white fiberglass media filter
- 98.7% efficiency rating
- Open weave design, protects depth loading
- 100 each per box. Sold in full boxes only

Item #	Size	Box Qty
CHEMP20252	20"H x 25"W x 2"Thick	100 each



**Duo Fiberglass Paint Arrestor Pads**



- Features a progressive density construction that meets the needs of the widest variety of finishing applications
- Designed to provide longevity, efficiency and economy for most painting applications at a 98.21% efficiency rating
- 100 each per box. Sold in full boxes only

Item #	Size
CHE2020100DP	20" x 20" x 2"
CHE2025100DP	20" x 25" x 2"



**Exhaust Media, FMP-18, 99.23% Efficiency**



- Applications: All coatings and finishes
- 2.5" thick, highly visible yellow fiberglass fiber
- Open weave design, promotes depth loading
- Unique fiber construction for increased area and air flow
- 100 each per box. Sold in full boxes only

Item #	Size
CHEFMP18-20202	20" x 20" x 2.5"
CHEFMP18-20252	20" x 25" x 2.5"

NOTE: Also available in pre-packaged blanket or roll goods - contact your sales rep or customer service for pricing and availability.

A  
B  
C  
D  
E  
F  
G  
H  
I  
J  
K  
L  
M  
N  
O  
P  
Q  
R  
S  
T  
U  
V  
W  
X  
Y

## A SPRAY BOOTH ACCESSORIES

B  
C  
D  
E  
F  
G  
H  
I  
J  
K  
L  
M  
N  
O  
P  
Q  
R  
S  
T  
U  
V  
W  
X  
Y



### Exhaust Media, N Poly (Poly Media)

#### 99.93% Efficiency

- Applications: General spray applications
- Good for both liquid and powder coating
- Enhanced efficiency compared to fiberglass
- 50 each per box. Sold in full boxes only



NOTE: Also available in pre-packaged blanket or roll goods – contact your sales rep or customer service for pricing and availability.

Item #	Size	Box Qty
CHENPOLY-20201	20" x 20" x 2"	50 each
CHENPOLY-20251	20" x 25" x 2"	50 each



### Intake Media, Panel Filter

- Applications: Spray booth intake filter
- Polyester filter with internal frame
- Tackified polyester intake media for greater efficiency
- 20 each per box. Sold in full boxes only



Item #	Size	Box Qty
CHEPAFIF-20202	20" x 20" x 2"	20 each
CHEPAFIF-20252	20" x 25" x 2"	20 each



### Exhaust Media, Chemloft Poly, 99.98% Efficiency

- Applications: Wide range of coating applications
- 2" thick white filter media pad
- High loft for extended service life and efficiency
- Rapidly eliminates most by-pass challenges
- Serves as a liquid paint arrestor and powder coating pre-filter
- 25 each per box. Sold in full boxes only



NOTE: Also available in pre-packaged blanket or roll goods – contact your sales rep or customer service for pricing and availability.

Item #	Size	Box Qty
CHECLOFT-20202	20" x 20" x 2"	25 each
CHECLOFT-20252	20" x 25" x 2"	25 each

**SECTION U - TABLE OF CONTENTS**

**Section U Contents:**

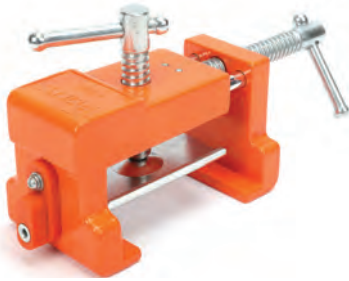
Face Frame & Spring Clamps..... 2  
 Pipe Clamps..... 3  
 Bar Clamps..... 4  
 Clamps/Spreaders..... 5  
 I-Beam Clamps ..... 6  
 Band/Strap & Toggle Clamps..... 7  
 Files & Accessories..... 8-10  
 Trimmers..... 11  
 Laminate & Edgebanding Tools ..... 12-13  
 Cutting Tools..... 14-15  
 Scraping & Marking Tools..... 16  
 Marking & Measuring Tools..... 17  
 Tape Measures..... 18-19  
 Installation Jigs..... 20-23  
 3rd Hand Supports ..... 24  
 Hammers & Nail Sets..... 25  
 Würth Hand Tools..... 26-86



A  
B  
C  
D  
E  
F  
G  
H  
I  
J  
K  
L  
M  
N  
O  
P  
Q  
R  
S  
T  
U  
V  
W  
X  
Y

**A FACE FRAME & SPRING CLAMPS**

B  
C  
D  
E  
F  
G  
H  
I  
J  
K  
L  
M  
N  
O  
P  
Q  
R  
S  
T  
U  
V  
W  
X  
Y



**Pony® Cabinet Claw, Face Frame Clamp**

**PONY JORGENSEN**

- Combines the multiple steps of face frame cabinet installation into one easy process
- Installs two stiles from 1-1/2" to 2" width and up to 1-1/2" thickness (each) with 4" opening capacity
- Protective rubber pads on clamp faces and alignment plate to cushion and protect cabinets
- Aluminum claws and alignment plate

Item #	Description
JP8511	Cabinet Claw (1 Clamp Pack)
JP8510	Cabinet Claw (2 Clamp Pack)



**Pony® Spring Clamps**

**PONY JORGENSEN**

- One of the most durable clamps available
- Non-slip jaws become parallel at maximum opening capacities
- Light weight, zinc plated steel jaws

Item #	Clamping Capacity	Throat Depth
JP3201-HT	1"	1-1/4"
JP3202-HT	2"	2"
JP3203-HT	3"	3"
JP3204-HT	4"	4"



**Steel Spring Clamps**



- With vinyl tips and handles
- Vinyl tips prevent marring and vinyl handles offer a non-slip grip
- Features a heavy duty spring for a tight fit and nickel plating to prevent corrosion

Item #	Clamping Capacity	Throat Depth
AKXM5	2"	2-1/4"
AKXM7	3"	3-5/16"



**3 Way Clamp**

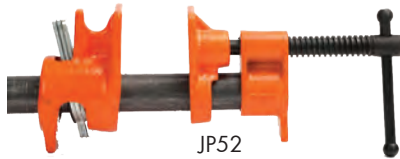


- Non-marring rubber tips
- Spring clamp and edge clamp in one
- Approximately 30 lb of edge pressure
- Great for all types of edgebanding and general clamping purposes

Item #	Clamping Capacity	Throat Depth
FC3WAYCLAMP	2-1/2"	1-1/2"

**PIPE CLAMPS**

A  
B  
C  
D  
E  
F  
G  
H  
I  
J  
K  
L  
M  
N  
O  
P  
Q  
R  
S  
T  
U  
V  
W  
X  
Y



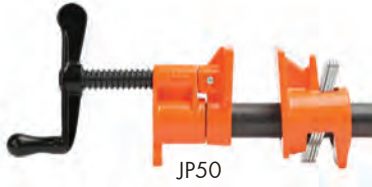
JP52

**Pony® Pipe Clamp, Traditional Style**

**PONY JORGENSEN**

- Multiple-disc-clutch design allows secure
- Hold at any point along pipe
- Clamping capacity only limited by length of pipe used (\*not included)

Item #	Handle Style	Black Pipe Diameter*
JP52	Sliding Pin	1/2"
JP50	Crank-Type	3/4"



JP50



**Associated Item:**

- Clamp pads for protecting work
- Includes: (4) U-Shaped Pads

Item #
JP7456

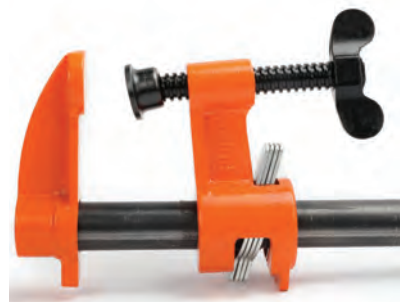


**Pony® Pipe Clamp, H-Style**

**PONY JORGENSEN**

- Wider and taller stance, taller and wider jaws than traditional style
- Clamping jaws are 2-1/8" and clamps sit 2-1/2" above work surfaces
- Multiple-disc-clutch design allows secure hold at any point along pipe (\*not included)
- Built in clamp hanger feature

Item #	Handle Style	Black Pipe Diameter*
JP55	Crank-Type	3/4"



**Pony® Pipe Clamp, Deep Reach Style**

**PONY JORGENSEN**

- 2-1/2 inch deep reach design
- Heads reverse to use as spreader clamp
- Multiple-disc-clutch design allows secure hold at any point along pipe
- Clamping capacity only limited by length of pipe used (\*not included)

Item #	Handle Style	Black Pipe Diameter*
JP56	Wing Nut	3/4"



**Pipe Clamp, Traditional Style**

**BESSEY**

- High base improves clearance from the work surface
- Virtually limitless clamping capacity determined by the length of pipe used (\*not included)

Item #	Black Pipe Diameter*
AKPC12-2	1/2"
AKPC34-2	3/4"

A  
B  
C  
D  
E  
F  
G  
H  
I  
J  
K  
L  
M  
N  
O  
P  
Q  
R  
S  
T  
U  
V  
W  
X  
Y

## BAR CLAMPS



### Jorgensen® Steel Bar Clamps

**PONY JORGENSEN**

- Cold-drawn steel screw with special, smoothly cut acme threads
- Multiple-disc clutch - three hardened, plated steel clutch discs and one clutch spring
- Strong, lightweight steel bars are rust-resistant
- Pony® Jorgensen's® own 'multiple-disc-clutch' holds securely at any point along the bar
- Protective pads keep your project free from marring

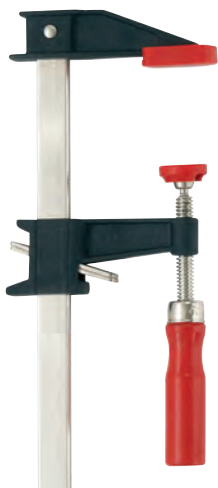
Item #	Clamping Capacity	Throat Depth	Clamping Force
<b>Medium Duty</b>			
JP3706	6"	2-1/2"	600 lb
JP3712	12"	2-1/2"	600 lb
JP3718	18"	2-1/2"	600 lb
JP3724	24"	2-1/2"	600 lb
JP3730	30"	2-1/2"	600 lb
JP3736	36"	2-1/2"	600 lb
<b>Heavy Duty</b>			
JP3706-HD	6"	3"	1,000 lb
JP3712-HD	12"	3"	1,000 lb
JP3718-HD	18"	3"	1,000 lb
JP3724-HD	24"	3"	1,000 lb
JP3730-HD	30"	3"	1,000 lb
JP3736-HD	36"	3"	1,000 lb



#### Associated Item:

- Clamp pads for protecting work
- Includes: (4) round pads and (4) U-Shaped Pads
- For use with JP3700 Series Medium Duty clamps only

Item #
JP7437



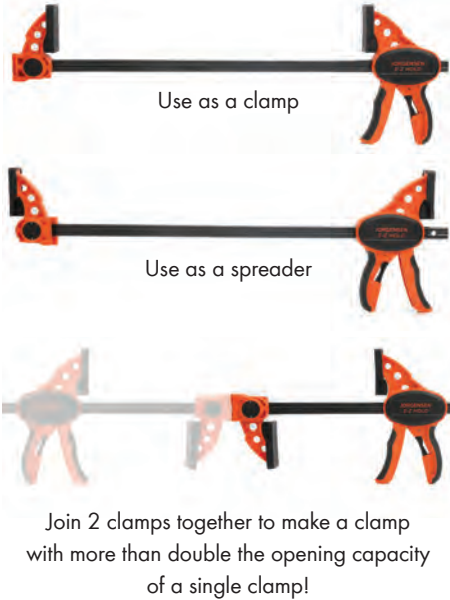
### Clutch Style Bar Clamps



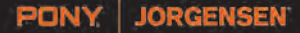
- Cast iron jaws - Durable powder coated cast-iron fixed and sliding jaws
- Secure - 2 piece slip-clutch plates keep the jaw sturdy and in place
- Protective pads - Non-marring pads on the top and bottom jaws

Item #	Clamping Capacity	Throat Depth	Clamping Force
AKGSCC2.506	6"	2-1/2"	600 lb
AKGSCC2.512	12"	2-1/2"	600 lb
AKGSCC2.518	18"	2-1/2"	600 lb
AKGSCC2.524	24"	2-1/2"	600 lb
AKGSCC2.530	30"	2-1/2"	600 lb
AKGSCC2.536	36"	2-1/2"	600 lb

## CLAMPS/SPREADERS



### Jorgensen® E-Z HOLD Medium Duty Spreader/Clamps Expandable



- The contoured comfort grip and quick release lever make it simple to get a firm grip fast
- Can easily be converted into spreader clamps
- Exclusive patented feature allows 2 clamps to be joined together to make a clamp with more than double the opening capacity of a single clamp

Item #	Clamping Capacity	Spreading Capacity	Throat Depth	Clamping Force
JP33406	6"	12-1/2"	3-1/3"	300 lb
JP33412	12"	18-1/2"	3-1/3"	300 lb
JP33418	18"	24-1/2"	3-1/3"	300 lb
JP33424	24"	30-1/2"	3-1/3"	300 lb
JP33436	36"	42-1/2"	3-1/3"	300 lb



### One-Handed Clamps, Clamping and Spreading



- Single-handed clamping and spreading of workpieces up to 445 lb clamping force
- Upper section can quickly convert from clamping to spreading without tools
- Ergonomic handle positioned behind the rail, enabling a powerful grip
- Soft pressure caps optimize material protection and secure clamping
- EZS clamps extend throat depth right to the outside edge of the pads

Item #	Clamping Capacity	Spreading Capacity	Throat Depth	Clamping Force
<b>445 lb Clamping Force</b>				
AKEZS15	6"	14"	3-1/2"	445 lb
AKEZS30	12"	20"	3-1/2"	445 lb
AKEZS45	18"	25-3/4"	3-1/2"	445 lb
AKEZS60	24"	31-3/4"	3-1/2"	445 lb
AKEZS90	36"	43-1/2"	3-1/2"	445 lb



### The Jack™, Clamp/Spread/Lift



- Great for lifting base cabinets to install shims or adjust leg levelers
- Spread up to 25", clamp up to 18"
- Lift up to 18" and 200 lbs.

Item #	Clamping Capacity	Throat Depth	Clamping Force
FCJACK	18"	2-1/4"	200 lb

A  
B  
C  
D  
E  
F  
G  
H  
I  
J  
K  
L  
M  
N  
O  
P  
Q  
R  
S  
T  
U  
V  
W  
X  
Y

A  
B  
C  
D  
E  
F  
G  
H  
I  
J  
K  
L  
M  
N  
O  
P  
Q  
R  
S  
T  
U  
V  
W  
X  
Y

## I-BEAM CLAMPS



### Jorgensen® Steel I-Bar Clamp, Crank Handle



- Heavy-duty steel bar clamps, with a resilient fixed-head design
- Bar size 1-1/2" x 7/16"
- Cold-drawn steel screw with special, smoothly cut acme threads
- Ductile cast iron castings, powder coated orange finish
- Capable of withstanding the rigorous daily demands of school shops, commercial woodworking operations, metalworking factories, welding applications and serious woodworking applications

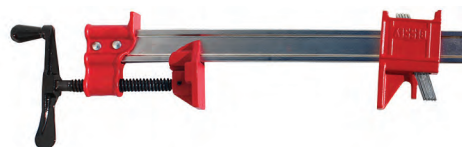
#### Associated Item:

- Clamp pads for protecting work
- Includes: (4) U-Shaped Pads



Item #
JP7456

Item #	Clamping Capacity	Throat Depth	Clamping Force
JP7224	24"	1-3/4"	7,000 lb.
JP7230	30"	1-3/4"	7,000 lb
JP7236	36"	1-3/4"	7,000 lb
JP7248	48"	1-3/4"	7,000 lb
JP7260	60"	1-3/4"	7,000 lb
JP7272	72"	1-3/4"	7,000 lb
JP7284	84"	1-3/4"	7,000 lb
JP7296	96"	1-3/4"	7,000 lb



### I-Beam Clamp



- Nickel plated rail resists corrosion
- Crank handle for tremendous strength and long term durability
- ACME threaded screws - With 9/16" spindle diameter
- Jaw Width: 1-3/4"; Bar Width: 1-3/8"; Bar Thickness: 7/16"

Item #	Clamping Capacity	Throat Depth	Clamping Force
AKIBEAM36	36"	2"	7,000 lb
AKIBEAM48	48"	2"	7,000 lb
AKIBEAM60	60"	2"	7,000 lb



## BAND & TOGGLE CLAMPS



### Pony® Rapid Acting Band Clamp, 15'

PONY JORGENSEN

- Perfect for awkward or irregular shaped clamping projects of odd shapes, including round, polygon or square
- Includes plastic non-marring 1 inch by 1 inch jaws allow for great fit on corners

Item #	Band Length x Width	Range of Angle
JP1225	15' x 1"	Up to 90°



### Strap Clamp, 23'



- Strap draws simultaneously from both sides ensuring pressure is applied equally on all corners without distortion
- Integrated rewind mechanism is operated with a crank handle which eliminates tangling and damage to the strap
- Vario clip corners with twin-tilting pressure pads auto-adjust from 60° to 180° for easy assembly of most multi-angle projects

Item #	Description	Band Length x Width	Range of Angle
AKVAS23	Strap Clamp with 6 Vario Corner Clips	23' x 1-1/2"	60° to 180°
AKVAC6	Vario Corner Clips (Set of 6)	-	60° to 180°



### Toggle Clamps, Auto Adjust

- Adjustable clamping force based on the adjusting screw in the joint
- Sturdy, tempered metal sheets for a long service life
- Base plate hole pattern suitable for millimeters and inches

	Item #	Clamping Capacity	Automatic Adjust	Norm Clamp Force Range	Holding Capacity
<b>Inline Toggle, Flanged Base Plate</b>					
A	AKSTC-IHH25	5/8"	1/2"	25 - 550 lb	700 lb
<b>Horizontal Toggle with Open Arm, Horizontal Base Plate</b>					
B	AKSTC-HH20	13/16"	3/4"	25-250 lb	450 lb
	AKSTC-HH50	1-9/16"	1-3/8"	25 - 550 lb	700 lb
	AKSTC-HH70	2-3/8"	1-3/8"	25 - 550 lb	700 lb

A



B

**A FILES**

B  
C  
D  
E  
F  
G  
H  
I  
J  
K  
L  
M  
N  
O  
P  
Q  
R  
S  
T  
U  
V  
W  
X  
Y



**PLASTI-CUT® Duplex® Laminate Files**

**PLASTIC-CUT®**

- One side is a “fast cut” and the other side is a “mill cut”
- Wide body provides 10% more cutting surface
- One edge has no teeth for safe corner filing
- Rounded tang design is safer to use and it eliminates the need for a separate handle
- Supplied in protective sleeve to provide longer tool life

Item #	File Length
PC-8DX	8"
PC-10DX	10"



**PLASTI-CUT® FAST® Laminate Files**

**PLASTIC-CUT®**

- Designed and manufactured specifically for maximum performance on decorative laminates
- FAST® cut files provide a coarse finish
- Supplied in protective sleeve to provide longer tool life

Item #	File Length
PC-10F	10"
PC-12F	12"
PC-14F	14"



**PLASTI-CUT® Mill Laminate Files**

**PLASTIC-CUT®**

- Designed and manufactured specifically for maximum performance on decorative laminates
- Mill cut files provide a smooth finish
- Supplied in protective sleeve to provide longer tool life

Item #	File Length
PC10M	10"
PC12M	12"
PC-14M	14"

**FILES**

A  
B  
C  
D  
E  
F  
G  
H  
I  
J  
K  
L  
M  
N  
O  
P  
Q  
R  
S  
T  
U  
V  
W  
X  
Y



**Laminate Files, Economy Flat Multi-Kut®**



- Combines the performances of Flat and Mill Files
- Obtain almost any required finish simply by changing the feed pressure
- Multi-Kut® Flat Files are single-cut coarse tooth files that taper toward the point in width
- Features a diamond pattern “double chip-breaker” allowing for fast stock removal while leaving a smooth finish

NOTE: 12” files come unsleeved from the manufacturer.

Item #	File Length
PC-SM10FM	10”
PC-SM12FM	12”



**All-Purpose Files**



- Double cut on one side for quick removal and rough work; single cut on the other for finish filing

Item #	File Length
PC-SM10AP	10”



**Mill Laminate Files**



- Designed for use on decorative laminates
- Mill cut files provide a smooth finish

Item #	File Length
PC-SM10MC	10”
PC-SM12MC	12”



**All Purpose Files, Black Maxi-Sharp®**



- Built-in handle provides maximum versatility
- Double cut on one side and a single cut on the other side
- One edge cut and one edge safe (uncut) for shoulder filing

Item #	File Length
PC8AP	8”
PC10AP	10”

**A FILE ACCESSORIES**



**File Card**

- Sharp tempered steel bristles are angled forward, aligned and spaced for good effective cleaning
- Not recommended for use on PLASTIC-CUT® files

**PRACTICAL PRODUCTS**

Item #	Length	Type
PC-FC87	8-1/2"	Standard Duty
PC-FC87B	10"	Heavy Duty



**Wire Brush**

- Recommended for cleaning PLASTI-CUT files to preserve tooth sharpness
- For files that are clogged with adhesive, soak in Würth Pitch & Resin Remover (see below), then use the wire brush

**PRACTICAL PRODUCTS**

Item #	Overall Length
PC-WB42	14"



**File Card/Brush**

- Use brush side for general cleaning and card side for stubborn cleaning
- Sharp tempered steel bristles of the card side are angled forward, aligned and spaced for good effective cleaning
- Wire side NOT recommended for use on PLASTIC-CUT® file

**PRACTICAL PRODUCTS**

Item #	Length
PCCB88	10"



**Pitch & Resin Remover, Eco Friendly**

- Designed to quickly dissolve and emulsify materials from your files

Item #	Size
WR0893011201	1 Qt., Ready to Use
WR0893011135	1 Gal, 1:10 Dilution

**TRIMMERS**

A  
B  
C  
D  
E  
F  
G  
H  
I  
J  
K  
L  
M  
N  
O  
P  
Q  
R  
S  
T  
U  
V  
W  
X  
Y



**End Nippers™**

- Trims flush with the surface
- Can be used in a variety of different applications, including trimming the edge of edgebanding/veneers and soft metals
- Will even work on 3mm edgebanding
- Not meant for use on nails



**Item #**

FCENDNIP



**Mirco Flush Cut Trimmers™**

- Rounded flush side cutting surface design allows you to get into tight spots when removing brad nails or small slivers
- Gently pull the nail out by rolling the micro flush cut pliers without marring or denting the wood



**Item #**

FCPLIERSMICRO



**Macro Flush Cut Trimmer™**

- For making micro-cuts for "nip and tuck" of edgebanding and laminate
- Works with standard wood and PVC edgebanding .018 - .025, not recommended for 3mm



**Item#**

FCPLIERSFC



**Heavy Duty Flush Cut Trimmers™**

- Can be used to cut nails flush
- Comes with 2 FCPOWERMAG magnets to keep the cut item from flying through the air



**Item #**

FCPLIERSHD

**A LAMINATE/EDGEBANDING TOOLS**

B  
C  
D  
E  
F  
G  
H  
I  
J  
K  
L  
M  
N  
O  
P  
Q  
R  
S  
T  
U  
V  
W  
X  
Y



**Straight Handle J-Roller**

- 3"W rubber roller is soft enough to avoid marring, but firm enough to smooth out all covering materials

PRACTICAL PRODUCTS

Item #	Handle Length
PC-JR-78C	12"



**Extension Roller**

- Three 2-1/4" resilient rollers let you cover a lot of territory in a hurry
- Useful for decorative laminate, vinyl, or other adhesive-applied coverings
- With the preferred loop handle grip at the roller section, heavy pressure can be applied right where it is needed - at the rollers
- Twist-lock handle quickly adjusts from 18" to 27"

PRACTICAL PRODUCTS

Item #	Handle Length
PCER	18" - 27"



**Speedroller™**

- Ergonomically designed with laminate rollers that can be used in any PSA application
- Non-marring rubber wheels or maximum PSI steel wheels

Item #	Description
FCSPPEEDROLLERQUAD	Maximum PSI Steel, Non-Interchangeable
FCROLLERPRO	1 set Maximum PSI Steel and 1 set Non-Marring Rubber, Interchangeable



**LAMINATE/EDGEBANDING TOOLS**



**FastBreak™ Sander**



- Uniformly break the edge in sharp melamine, edgebanding, plywood and hardwood materials in just one pass
- FastBreak XL is designed for sanding entry doors and larger panel stock
- Extra sandpaper is stored inside and is easily accessed through removable end caps

Item #	Description	Material Thickness
FCFB	Sander	1/4" - 1"
FCFBXL	Sander	3/4" - 2-3/8"
FCFB80	Sandpaper, 80 Grit (Pack of 10)	-
FCFB180	Sandpaper, 180 Grit (Pack of 10)	-



FCQPROTRIM

**Pneumatic Edgebanding Quad Trimmer™**



- No springs to lose when taking tool apart to trim one side of material
- Available tungsten carbide blades last 10 times longer than steel blades
- Trims both directions, both sides, top and bottom at once

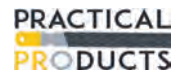


Item #	Description	Blade Type
FCQTRIM	Standard Trimmer	Carbon Steel
FCQBLADE	Replacement Blade	Carbon Steel
FCQPROTRIM	"Pro" Trimmer	Tungsten Carbide
FCQPROBLADE	Replacement Blade	Tungsten Carbide

**NO SPRINGS!**



**Double-Sided Edgebanding Trimmer**



- Simultaneously trims both edges of most soft edgebanding materials
- Duplicate blades on both sides will flush or bevel trim panels from 1/2" - 1-1/2" thick
- One side can be used alone as a single-sided trimmer

Item #	Description
PC-ET100	Trimmer
PC-ET100RP	Repl. Blades 6 per pack

A  
B  
C  
D  
E  
F  
G  
H  
I  
J  
K  
L  
M  
N  
O  
P  
Q  
R  
S  
T  
U  
V  
W  
X  
Y

**A UTILITY KNIVES & BLADES**

B  
C  
D  
E  
F  
G  
H  
I  
J  
K  
L  
M  
N  
O  
P  
Q  
R  
S  
T  
U  
V  
W  
X  
Y



**Utility Knife**

- Utility knife with multi-step locking
- Blade can be fully retracted
- Includes 1 standard utility blade; storage for 5 blades



<b>Item #</b>
WR07156601



**Utility Knife**

- 3 position retractable blade
- Includes 3 standard utility blades; storage for 5



<b>Item #</b>
STN10-099



**Utility Knife, INSTANTCHANGE®**

- Swing out blade storage and integrated string cutter
- Tool-free push-button blade change
- Includes 3 standard utility blades, storage for 10



<b>Item #</b>
STN10-788



**Utility Knife Replacement Blades**



Item #	Blade Thickness	Dispenser Included	Box Qty
STN11-921A	.024"	Yes	100
STN11-921B	.024"	No	400
WR1695106	.025"	No	100



**KNIVES & SCRAPERS**

A  
B  
C  
D  
E  
F  
G  
H  
I  
J  
K  
L  
M  
N  
O  
P  
Q  
R  
S  
T  
U  
V  
W  
X  
Y



**TriBlade Utility Knife**



- Heavy duty steel track with retractable blade and auto blade lock
- Comes with 3 blades and holds 2 extras
- Rubberized grip is comfortable to hold

Item #	Description
FCTB	TriBlade Knife with 3 blades
FCTBR	TriBlade replacement blades, pack of 10



**Razor Blade Scraper**



- Razor blade scraper is constructed of steel and has a fully retractable blade
- Comes with 5 blades

Item #
STN28-500



**Razor Blades, Single-Edge**



- Blades are individually wrapped for rust and edge protection
- 100 blades per box

Item #	Type	Blade Thickness	Brand
WR16033010	Standard Duty	.009"	Würth
STN11-515	Standard Duty	.009"	Stanley



**Pocket Pull Saw, Folding**



- Super flexible blade is only .015" thick
- Blade length: 3-5/8", overall length: 8-7/8", closed length: 5"
- Compact and safe to store in your pocket when closed
- Locked and ready to use when fully open

Item #
FCPKT-PULLSAW

**A SCRAPING & MARKING TOOLS**



**Hand Scraper**

- Extra flexible, spring steel blade
- Scraper is 4-3/4" wide



<b>Item #</b>
WR0695940912

A  
B  
C  
D  
E  
F  
G  
H  
I  
J  
K  
L  
M  
N  
O  
P  
Q  
R  
S  
T  
U  
V  
W  
X  
Y



**Putty Knife**

- Hardened, tempered and polished steel blade
- Permanently fastened full tang blades



	Item #	Blade Width	Blade Type	Handle Type
A	STN28-540	1-1/4"	Flexible	Wood
B	STN28-240	1-1/4"	Flexible	Nylon
	STN28-140	1-1/4"	Stiff	Nylon



**Long Nose Marker™**

- Solves the problem of marking inside holes or up against deep wall applications
- The ultimate permanent marker with both a super fine long tip and a wide tip on the reverse side



<b>Item #</b>
FCLONGNOSE



**FatBoy™ Retractable Pencil**

- Built-in eraser and removable clip, lightweight aluminum housing
- 5.5 mm lead
- Sharpens in standard pencil sharpener
- Great for framing and finish-work



Item #	Description
FCFATBOY-PENCIL	Pencil, 3 pieces of lead (1 each standard lead, red & soapstone and 1 eraser)
FCFATBOY-REFILL	5 Lead refills (standard lead), 3 erasers

**MARKING & MEASURING TOOLS**

A  
B  
C  
D  
E  
F  
G  
H  
I  
J  
K  
L  
M  
N  
O  
P  
Q  
R  
S  
T  
U  
V  
W  
X  
Y



**Reveal Square  
Door & Window Molding  
Installation Tool**



- Provides 8 different reveal dimensions for installation of door and window moldings
- Side one provides reveals of: 1/8", 1/4", 1/2", and 3/8";
- Side two provides reveals of 3/16", 5/16", 7/16", and 9/16"
- Slide the Reveal Square along the edge of the window or door frame at desired reveal and mark with a pencil line

<b>Item #</b>
FCREVEALSQ



**Scribing Tool**



- For installing countertops, cabinets, tile, and floor coverings

<b>Item #</b>
PC-AS4



**AccuScribe Pro™  
Scribing Tool & Compass**



- Ideal for scribing the trim on kitchen cabinets, architectural moldings, countertops, splashguards, tile, siding and even flooring
- Retractable compass point
- Articulating pencil head

<b>Item #</b>
FCACCUSCRIBPRO



**Pocket Awl, Folding**



- Compact and safe to store in your pocket when closed
- Locked and ready to use when fully open

<b>Item #</b>
FCPKT-AWL

**A TAPE MEASURES**

B  
C  
D  
E  
F  
G  
H  
I  
J  
K  
L  
M  
N  
O  
P  
Q  
R  
S  
T  
U  
V  
W  
X  
Y



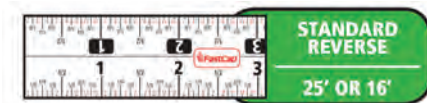
**ProCarpenter™ Tapes**



- All ProCarpenter tapes feature erasable note pad on tape casing side, built-in pencil sharpener and ergonomic belt clip, 8' standoff, dual thumb and finger locks
- All ProCarpenter tapes have a 1" wide tape (except FCPMS12 which is 5/8" wide)



Old Standby Standard		
Item #	Description	Length
FCPS16	Easy to read fraction call outs to 1/16"	16'
FCPS25	Easy to read fraction call outs to 1/16"	25'



Standard/Standard Reverse		
Item #	Description	Length
FCPSSR16	Right & left reading	16'
FCPSSR16AL	Right & left reading, Auto-lock	16'
FCPSSR25	Right & left reading	25'



Standard Story Pole		
Item #	Description	Length
FCPSSP16	Features a blank edge on the blade for writing and standard measurements on the other edge	16'
FCPSSP25		



PMS Metric/Standard		
Item #	Description	Length
FCPMS12	Easy to read fraction call outs to 1/16" and millimeters	12'
FCPMS16		16'
FCPMS16-AUTO	Easy to read fraction call outs to 1/16" and millimeters, auto-lock	16'
FCPMS25	Easy to read fraction call outs to 1/16" and millimeters	25'



True 32 Metric Reverse		
Item #	Description	Length
FCPMMRTRUE32	For use with True 32 Flow manufacturing	5M



**Standard Peel & Stick 16' Tape**



- Puts a tape measure right where you need it
- The flat 16' long tape measure is printed on both sides allowing for left or right read
- Simply adhere the included SpeedTape to one side of the tape and stick it on

Item #	Description	Length
FCPSSSTICK16	Easy to read fraction call outs to 1/16"	16' (Can be cut to 8')

**TAPE MEASURES/SQUARES**



**Tape Measure, Auto Stop**

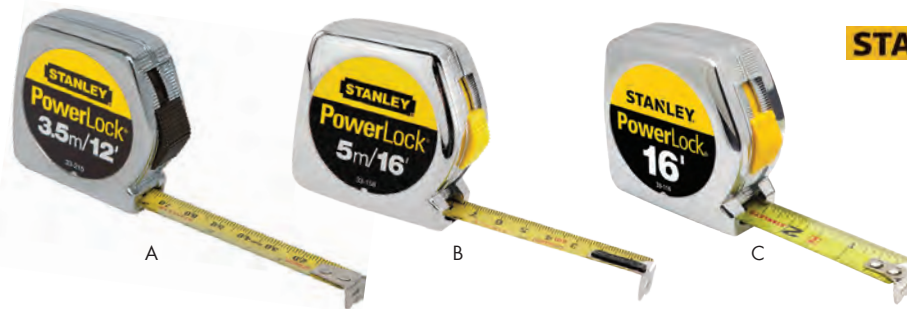


- Yellow nylon-coated steel tape with Metric and Inch markings
- Lightweight ABS plastic housing is lightweight and corrosion resistant
- End stop cushions tape when rolled in for longer tape life
- Auto stop when tape pulled out
- Sliding end hook
- Removable belt clip

Item #	Read	Blade Width	Blade Length
WR071464575	Metric/Inch	1"	16'

**PowerLock® Tape Measures**

- Mylar® polyester film extends life of entire blade
- Secure blade lock wont creep during measurements
- Tru-zero end hook for accurate measurements



	Item #	Read	Blade Width	Blade Length	Stud Markings
A	STN33-215	Metric/Inch	1/2"	12' / 3.5m	16" and 19.2"
B	STN33-158	Metric/Inch	3/4"	16' / 5.0m	16"
C	STN33-116	Inch	3/4"	16'	16" and 19.2"



**SpeedClip™ Tape Measure Belt Clip**



- Clips over pants or belt for quick access to tape measure
- Securely holds a tape measure and a pencil
- Extension keeps tape measure from getting bumped off when bending down
- Built in pencil sharpener
- 2 bench mount holes

Item #
FCSPCLIP



**Combination Square**



- Durably etched, hard-chrome-plated blades are rust resistant
- Built-in scribe comes in handy for surface marking
- High-visibility yellow, die-cast handle with brass hardware for durability
- Graduation in 1/8", 1/16" and 1/32"
- Ruler length is 12" and handle length is 4-1/2" long

Item #
STN46-123

A  
B  
C  
D  
E  
F  
G  
H  
I  
J  
K  
L  
M  
N  
O  
P  
Q  
R  
S  
T  
U  
V  
W  
X  
Y

**A KREG JIGS & ACCESSORIES**

B  
C  
D  
E  
F  
G  
H  
I  
J  
K  
L  
M  
N  
O  
P  
Q  
R  
S  
T  
U  
V  
W  
X  
Y



**Knuckle Bender™  
Interior Door Installation Tool**



- Used for installing full size residential doors
- Design allows you to get a hammer under the bottom hinge to easily tap out the pin without marring the hinge, door or trim

<b>Item #</b>
FCKNUCKLEBENDER



**Kreg Jig® R3**



- Number of Drill Guides: (2) 3/8" Dia. standard Kreg pocket holes
- For Use With: Materials from 1/2"- to 1-1/2" thick
- Drill Guide Spacings: 7/8"
- Clamping Method: Works with any Kreg Face Clamp
- Screw-Centering Ability: 1/2", 5/8", 3/4", 7/8", 1", 1-1/8", 1-1/4", 1-3/8", 1-1/2"
- Includes: Kreg Jig® R3, clamp pad adapter, stepped drill bit, 6" driver bit, depth collar, Allen wrench, starter Kreg screw set, starter Kreg pocket-hole plug set, and Owner's Manual, all inside of a durable, compact carrying case

Item #	Description
KRR3	Kreg Jig® Jr. (see included contents listed above)

For Kreg Screws, see Section P



**Kreg Jig® Mini**



- Number of Drill Guides: (1) 3/8" diameter standard Kreg pocket hole
- For Use With: Materials from 1/2"- to 1-1/2" thick
- Clamping Method: Works with Kreg Face Clamps and a variety of other clamps
- Screw-Centering Ability: 1/2" to unlimited
- Includes: Kreg Jig® Mini, Kreg drill bit, stop collar, Allen wrench, and Owner's Manual

Item #	Description
KRMKJKIT	Kreg Jig® Mini Kit (see contents listed above)

For Kreg Screws, see Section P

## KREG JIGS & ACCESSORIES



For Kreg Screws, see Section P

### Kreg Jig HD®



- Number of Drill Guides: (2) 1/2" Dia. HD pocket holes
- For Use With: 1-1/2" thick material and up
- Drill Guide Spacings: 1-7/16"
- Clamping Method: Works with Kreg Face Clamps and a variety of other clamps
- Compatibility: Kreg Jig® K3, K4, K4MS, and K5 benchtop base
- Includes: HD Drill Guide, stop block, 1/2" diameter HD stepped drill bit, 6" HD driver bit, stop collar, Allen wrench, starter Kreg screw set, and Owner's Manual

Item #	Description
KRRRHD	Kreg Jig® HD
KRKJDHD	Replacement Drill Bit, HD

A  
B  
C  
D  
E  
F  
G  
H  
I  
J  
K  
L  
M  
N  
O  
P  
Q  
R  
S  
T  
U  
V  
W  
X  
Y



### Concealed Hinge Jig



- Accurate hinge positioning with built-in indexing tabs
- Repeatable results with built-in measuring scales
- Reliable drilling with bit guide and stop collar
- Simple to use with any drill—no special tools needed
- Adjustable cams ensure proper hinge offset
- Durable carbide-tipped drill bit included

Item #	Description
KRKHI-HINGE	Concealed Hinge Jig
KRKHI-BIT	Replacement Bit



### Cabinet Hardware Jig



- Install Knobs and Pulls the Worry-Free Way - with Easy, Repeatable Accuracy
- Adjustable guides for accurate hole placement
- Built-in measuring scales for repeatable results
- Versatile for mounting single and multi-hole knobs
- Adjustable edge guide for easy positioning
- Durable hardened-steel drill guides

Item #	Description
KRKHI-PULL	Cabinet Hardware Jig

**A KREG JIGS & ACCESSORIES**

B  
C  
D  
E  
F  
G  
H  
I  
J  
K  
L  
M  
N  
O  
P  
Q  
R  
S  
T  
U  
V  
W  
X  
Y



**Shelf Pin Jig**



- Dual Position Adjustable Fence requires no tools
- Locating Pin lets you quickly reference the last hole drilled
- Jig Extender allows you to connect multiple jigs together for high speed work
- Standard 32mm hole spacing
- 5mm or 1/4" brad point drill bit included
- Drill bit storage built in to back of jig

Includes: Shelf-Pin Jig, Locating Pin, Jig Extender, 5mm or 1/4" Drill Bit, Depth Collar, Allen Wrench, Four 5mm or 1/4" Shelf Pins, Instructions

Item #	Description
KRKMA3200	Shelf Pin Jig, 1/4"
KRKMA3215	Shelf Pin Jig, 5mm
KRKMA3210	1/4" Brad Point Drill Bit
KRKMA3220	5mm Brad Point Drill Bit



**Drawer Slide Jig**



- Install Drawer Slides the fast, easy way for drawers that fit perfectly every time and slide smoothly
- Accurate slide positioning with built-in indexing tabs
- Repeatable results without measuring and marking
- Versatile for use in cabinets, cases, and more
- Reversible to mount slides to cabinet and drawer box

NOTE: Clamps in picture are not included

Item #	Description
KRKHI-SLIDE	Drawer Slide Jig



**Crown-Pro™**



- Holds trim at the exact angle required, eliminating need for advanced compound miter cuts
- Curved design lets you compensate for a variety of crown molding spring angles (30 to 60 degrees)
- Extension arms let you work with crown up to 5-1/2" wide
- Included angle-finder helps you determine the correct spring angle and wall angle for accurate results; range of 30° - 65°
- 10" saws work with crown up to 3-1/2" wide; 12" saws work with crown up to 5-1/2" wide (both depend on manufacturer)

Includes: Crown-Pro™, Double-Sided Angle Finder, and Rubber Feet

Item #	Description
KRKMA2800	Crown Molding Jig



## HARDWARE & SHELF PIN JIGS



### Cabinet Hardware Jig

- Install hardware 10x faster
- Minimum c/c: 1-1/8" (28mm)
- Maximum c/c: 12" (305mm)
- Saves wasted time making wood templates
- Durable aircraft quality aluminum
- 3/16" case hardened steel bushings are replaceable
- Includes: Blow Molded Case and standard 3/16" drill bit



Bushings are backed with a lifetime warranty.

Includes Blow Molded Case

Item #

TP-1934



### Cabinet Hardware Jig Plus Shelf Pin/Long Handle Jig

- Install hardware 10x faster
- Minimum c/c: 1-1/8" (28mm)
- Maximum c/c: 30-1/4" (768mm)
- Durable aircraft quality aluminum
- 3/16" case hardened steel bushings are replaceable
- Includes: TP-ERA Extended Ruler Attachment and Blow Molded Case

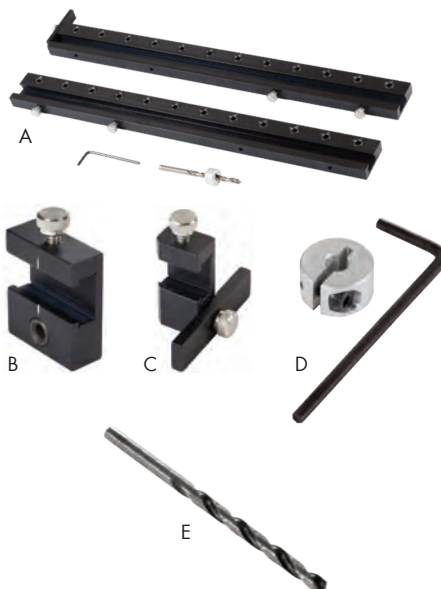


Bushings are backed with a lifetime warranty.

Includes Blow Molded Case

Item #

TP-1935



### Cabinet Hardware & Shelf Pin Jig Accessories



Item #	Description
A	TP-2312 Add on extension bars for JKTP-1934. Convert the hardware jig into a portable line boring unit. Also capable of installing cabinet handles up to 30-1/4" (768mm).
B	TP-SDG Sliding Drill Guide for all True Position models. Used for quick shelf hole layouts.
C	TP-SES Replacement sliding end stop assembly for all True Position models.
D	TP-5MMSC Split Ring Stop Collar for 5mm drill bits, adjustable design is made of aluminum.
E	TP-5MMJ 5mm Ultra Bor Super Premium Drill Bit, Black & Gold 5mm Jobber Length. Hi-Molybdenum tool steel with 135 degree split points for fast penetration and accurate starting without a center punch. Ideal for solid woods.
	TP-5MMB 5mm Brad Point HSS bit, HSS is ideal for woods and plastics. Brad point for clean holes in melamines, veneers and other woods.

A  
B  
C  
D  
E  
F  
G  
H  
I  
J  
K  
L  
M  
N  
O  
P  
Q  
R  
S  
T  
U  
V  
W  
X  
Y

**A 3RD HAND SUPPORTS**

**3rd Hand Extending Supports, 150 lb Capacity**



- Adjustable support systems for a variety of jobs
- Useful in the shop and on the jobsite



**A** Designed to support upper cabinets after the base cabinets are in place



**B** Designed to support upper cabinets when the base cabinets are not yet in place



**C** Brace, jack, or support whatever you need!

	Item #	Size	Features	Includes
A	FC3HL	16.5" - 23.5"	• Micro-adjustment	(1) jack and (2) 6x6 support feet
	FC3HL-2PC		• Micro-adjustment	(2) jacks and (4) 6x6 support feet and carrying bag
B	FC3H-UPPER	28" - 60"	• Precision pump jack	(1) jack, (2) 6x6 support feet
	FC3HUPPERHANDKIT		• Ball detent for positive lock	(2) jacks and (4) 6x6 support feet and carrying bag
C	FC3H5HD	57" - 144"	• Precision pump jack	(1) jack, (2) 3x3 articulating feet,
	FC3H5HD-2PK		• Ball detent for positive lock	(1) magnetic dust barrier foot
			• Micro-adjustment"	(2) jacks, (2) 3x3 articulating feet,
				(2) magnetic dust barrier feet

**HAMMERS/NAIL SETS**

A  
B  
C  
D  
E  
F  
G  
H  
I  
J  
K  
L  
M  
N  
O  
P  
Q  
R  
S  
T  
U  
V  
W  
X  
Y



**Rubber Mallet**

**STANLEY**

- Tough rubber head molded to a lacquered wooden handle
- Rubber head helps minimize marring and surface damage

Item #	Length	Weight
STN57-522	13-1/4"	18 oz.



**Dead Blow Hammer**

**STANLEY**

- Uni-Cast™ construction of nonferrous materials eliminate sparking and won't absorb liquids
- Dead-blow function uses steel shot to eliminate bounce back

Item #	Length	Weight
STN57-531	11-1/4"	18 oz.



**Curve Claw Hammer**

**STANLEY**

- Forged high-carbon steel head, fully heat-treated and polished bell face
- Hickory handle

Item #	Length	Weight
STN51-616	13-1/4"	16 oz.



**3 Piece Steel Nail Set**

**STANLEY**

- Three piece set has three different tip sizes: 1/32", 2/32" and 3/32"
- Square head to prevent rolling when set down
- Round knurled body
- Alloy steel is hardened and tempered

Item #
STN58-230

**A WÜRTH HAND TOOLS - TABLE OF CONTENTS**

**B**  
**C**  
**D**  
**E**  
**F**  
**G**  
**H**  
**I**  
**J**  
**K**  
**L**  
**M**  
**N**  
**O**  
**P**  
**Q**  
**R**  
**S**  
**T**  
**U**  
**V**  
**W**  
**X**  
**Y**

**Würth Hand Tools Contents:**

Warranty Information.....	27
Wrenches.....	28-37
Allen Keys.....	38-39
Screwdrivers.....	40-49
Screwdrivers, T-Handle.....	50-53
Bits & Accessories.....	54-57
Ratchets.....	58-59
Sockets.....	60-73
Ratchet & Socket Assortments.....	74-75
Pliers & Cutters.....	76-84
Snips.....	85-86



## WÜRTH LOUIS AND COMPANY – LIMITED WARRANTY POLICY

### Würth Louis and Company – Limited Warranty Policy

This limited warranty policy ("Limited Warranty Policy") represents Würth Louis and Company's ("the Company") commitment to our customers and our effort in ensuring the quality of our products.

If you are the original purchaser of our product, the Company warrants, for the time period indicated below (the "Warranty Coverage"), each Würth Louis and Company product to be free from defects in materials and workmanship under normal use and service, when installed, adjusted, used, and maintained, in the manner they were intended.

WÜRTH PRODUCT	WARRANTY COVERAGE
<ul style="list-style-type: none"> <li>• "Zebra" brand hand tools</li> </ul>	<p><b>Limited lifetime warranty</b>                      Würth Louis and Company warrants these products for its useful life against deficiencies in material and workmanship</p>
<ul style="list-style-type: none"> <li>• Würth brand hand tools</li> </ul>	<p><b>1-year Limited Warranty</b>                      Würth Louis and Company warrants these products for one (1) year from the date of purchase of the original purchaser</p>
<p>Please note that the Limited Lifetime Warranty and the 1-year Limited Warranty are subject to the provisions and limitations contained in this Limited Warranty Policy and in any applicable Würth Louis and Company terms and conditions of sale.</p>	

Repair, replacement (same or similar product), or credit at the original sale price at Würth Louis and Company's option will be furnished if the product, upon Würth's standard investigation process, is found to be properly installed, adjusted, used, maintained, stored, and/or operated.

Any such repairs or replacement will be made at no charge to the customer for parts or labor, provided that the customer shall be responsible for any transportation, lodging, meals, and/or other personal costs.

This Limited Warranty Policy does not apply to any malfunctions caused by: (i) normal wear and tear, (ii) unreasonable and/or improper use, misuse, neglect, abuse, improper storage, improper exposure to elements, and/or insufficient maintenance, (iii) repair or service by unauthorized persons, and (iv) modifications and/or alterations made without the express written permission of Würth Louis and Company.

Würth Louis and Company consumable products are free from manufacturer's defect upon delivery but do not carry any further warranty unless specifically expressed on the product itself.

This limited warranty is non-transferrable and can only be availed by the original purchaser of the product. A proof of purchase is required for all warranty claims. To obtain warranty service, contact your sales representative for warranty assistance or call 1-800-422-4389 for your nearest authorized Würth Louis and Company sales representative.

EXCEPT FOR THE LIMITED WARRANTY PROVIDED HEREIN, TO THE EXTENT PERMITTED BY LAW, WÜRTH DISCLAIMS ALL OTHER WARRANTIES, EXPRESS OR IMPLIED, INCLUDING ALL WARRANTIES OF MERCHANTABILITY AND/OR FITNESS FOR A PARTICULAR PURPOSE. TO THE EXTENT THAT ANY IMPLIED WARRANTIES MAY NONETHELESS EXIST BY OPERATION OF LAW, ANY SUCH WARRANTIES ARE EXPRESSLY LIMITED TO THE WARRANTY COVERAGE PERIOD ASSOCIATED WITH EACH PRODUCT STATED HEREIN.

The terms in this Limited Warranty Policy represent Würth Louis and Company's exclusive written warranty. Würth Louis and Company makes no other express warranty, nor is anyone authorized to make any warranties on its behalf.

REPAIR OR REPLACEMENT OF WÜRTH LOUIS PRODUCTS, AS PROVIDED HEREIN, IS YOUR EXCLUSIVE REMEDY. WÜRTH LOUIS AND COMPANY SHALL NOT BE LIABLE FOR ANY SPECIAL, INCIDENTAL, ECONOMIC OR CONSEQUENTIAL DAMAGES, INCLUDING, BUT NOT LIMITED TO, LOST REVENUES, LOST PROFITS, STRICT LIABILITY IN TORT AND/OR IN NEGLIGENCE, AND THIRD PARTY CLAIMS, INCIDENTAL OR CONSEQUENTIAL, LABOR COSTS, INSTALLATION CHARGES, TELEPHONE CHARGES, OR TRANSPORTATION CHARGES IN CONNECTION WITH THE REPLACEMENT AND/OR REPAIR OF DEFECTIVE PARTS OR PRODUCTS.

Customer understands that Würth Louis and Company is a distributor only and as such, Würth Louis and Company assumes no liability whatsoever with regard to the original purchaser's compliance or fulfillment of its obligations with respect to any statute, regulation, or by-law.

Please note that while Würth Louis and Company has made diligent efforts to illustrate and describe the products shown in its catalogues and online media, these illustrations and descriptions however, are for the sole purpose of identification and do not express nor imply a warranty or condition that the products shown are merchantable, fit for a particular purpose, nor does it guarantee that the products will necessarily conform to the illustrations and descriptions.

Würth Louis and Company reserves the right to make changes in design, appearance, and construction of any and all Würth Louis and Company products and reserves the right to discontinue the availability of any products and/or service to any discontinued products, at any time, at its sole discretion. Würth Louis and Company assumes no responsibility whatsoever in making such changes in products previously sold and/or transferred. Further, Würth Louis and Company assumes no obligation in replacing any previously sold, discontinued, and/or transferred product with an updated and/or similar product.

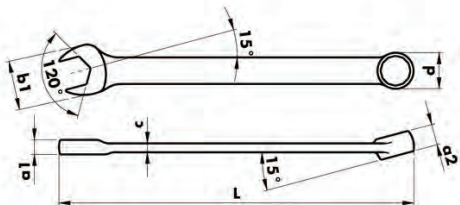
**A WRENCHES**

**Limited Warranty Policy - Hand Tools**

This limited warranty policy commitment to our customers (original purchaser) and our effort in ensuring the quality of our products. Please contact your Sales Rep or Customer Service Representative for full warranty details.

Würth Hand Tool Product	Warranty Coverage
Zebra brand hand tools	<b>Limited Lifetime Warranty:</b> Würth Louis and Company warrants these products for its useful life against deficiencies in material and workmanship when used in the manner intended
Würth brand hand tools	<b>1-year Limited Warranty:</b> Würth Louis and Company warrants these products for one (1) year from the date of purchase of the original purchaser when used in the manner intended.

**ZEBRA POWERDRIV® Combination Wrench - Extra Slim**



- Drive: Box end **POWERDRIV®** 12 point
  - Standard: DIN 3113A / ISO 3318/7738
  - Geometry: Box end 15° angled, open-end position 15°
  - Material: Chrome vanadium steel
  - Surface: Chrome-plated, matte satin finish
- Packing & Sold in: Each

Item #	(mm)	L (mm)	a1 (mm)	a2 (mm)	b (mm)	c (mm)	Dia. d (mm)
WR071330908	8	139	4.2	6.5	14.7	2.6	12
WR071330916	16	206	7	12.1	29.2	4.3	22.3
WR071330918	18	233	8	13.1	32.2	4.7	25.3
WR071330919	19	244		13.5	33.7	5	26.8

**ZEBRA Double Open-End Wrench Assortment**



**Metric**

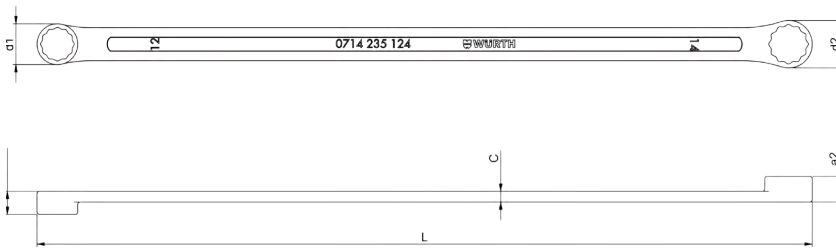
**12 pieces, with plastic holder**

- Standard: DIN 3110 / ISO 1085
  - Material: Chrome-vanadium steel
  - Surface finish: Chrome-plated polished heads
  - Open-end position 15°, strong heads for heavy duty use
- Packing & Sold in: Each

Item #	Set	in mm
WR071330443	12 pieces	6x7, 8x9, 10x11, 12x13, 14x15, 16x17, 18x19, 20x22, 21x23, 24x27, 25x28, 30x32

**WRENCHES**

**POWERDRIV® (12-Point) Double Box End Wrench - Extra Long**



**Universal joint shaft flange, axle, ball and suspension joints, axle linkages**

**For high tightening and release forces**

- Metric
  - Drive: Double box end **POWERDRIV®** 12-point
  - Standard: Wrench size according to DIN 475 Part II
  - Material: Chrome-vanadium steel
  - Surface: Body chromed, matte satin
  - Geometry: Straight, very slim box-end design for hard to reach places
- Packing & Sold in: Each

Item #	WR0714235101	WR0714235124	WR0714235135	WR0714235168	WR0714235179
Size	10 x 11 mm	12 x 14 mm	13 x 15 mm	16 x 18 mm	17 x 19 mm
Outside diameter d1	15 mm	17.2 mm	20 mm	22.6 mm	26 mm
Outside diameter d2	18.1 mm	20 mm	21.6 mm	26 mm	26.5 mm
Thickness a1	8 mm	9.7 mm	11 mm	12.3 mm	13.8 mm
Thickness a2	9 mm	10.8 mm	12 mm	13.3 mm	14 mm
Shank thickness c	4mm	4.5 mm	5 mm	5 mm	5.4 mm
Length l	292 mm	327 mm	367 mm	388 mm	410 mm

**ZEBRA POWERDRIV® (12-Point) Combination Wrench Set - Short Type (8 Pieces - 3/8, 7/16, 1/2, 9/16, 5/8, 11/16, 3/4, 7/8 Inch)**



**Standard**

**8 piece set**

- Standard: DIN 3113A/ISO 3318/773
  - Drive: Box end **POWERDRIV®** (12-Point)
  - Material: Chrome-vanadium steel
  - Surface: Chrome-plated, polished
  - Geometry: Box end angled 15°, open end offset 15°
- Packing & Sold in: Each

Item #	Inch	
WR071330340	3/8, 7/16, 1/2, 9/16, 5/8, 11/16, 3/4, 7/8	

A  
B  
C  
D  
E  
F  
G  
H  
I  
J  
K  
L  
M  
N  
O  
P  
Q  
R  
S  
T  
U  
V  
W  
X  
Y

A  
B  
C  
D  
E  
F  
G  
H  
I  
J  
K  
L  
M  
N  
O  
P  
Q  
R  
S  
T  
U  
V  
W  
X  
Y

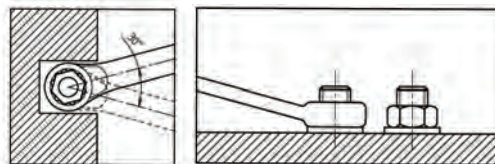
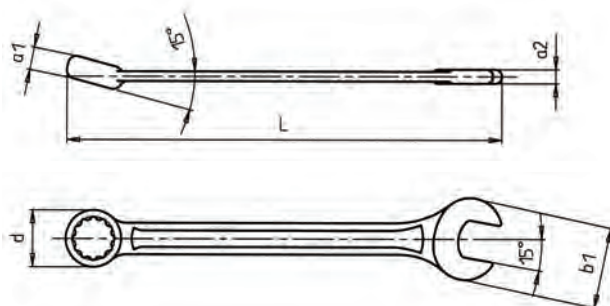
# WRENCHES

## ZEBRA POWERDRIV® Combination Wrench - Short Type



### Metric

- Standard: DIN 3113A/ISO 3318/7738
  - Drive: Box end **POWERDRIV®** (12-Point)
  - Material: Chrome-vanadium steel
  - Surface: Chrome-plated, polished heads and ring
  - Geometry: Box end angled 15°, head angle 15°
- Packing & Sold in: Each

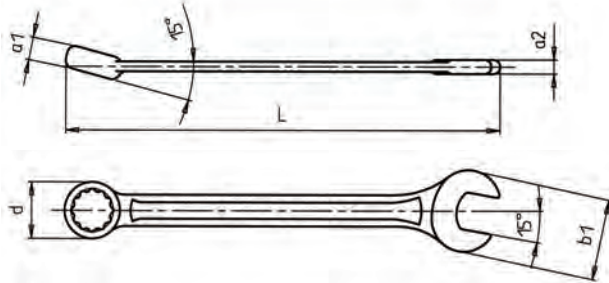


Item #	(mm)		L (mm)	b1 (mm)	Dia. d (mm)	a1 (mm)	a2 (mm)
WR0713301055	5.5	100	100	14.0	10.5	5.5	3.7
WR071330106	6						
WR071330107	7	110	110	16.0	11.8	6.0	4.0
WR071330108	8						
WR071330109	9	130	130	20.0	14.6	7.0	4.5
WR071330110	10						
WR071330111	11	150	150	25.0	17.4	8.0	5.0
WR071330112	12						
WR071330113	13	170	170	29.0	20.4	9.0	5.5
WR071330114	14						
WR071330115	15	190	190	33.5	22.9	10.0	6.0
WR071330116	16						
WR071330117	17	205	205	38.0	26.1	10.5	6.5
WR071330118	18						
WR071330119	19	215	215	40.0	27.7	11.0	7.0
WR071330120	20						
WR071330121	21	230	230	42.0	29.9	11.5	7.5
WR071330122	22						
WR071330123	23	250	250	47.0	32.2	12.5	8.0
WR071330124	24						
WR071330125	25	260	260	49.0	33.7	13.5	9.0
WR071330126	26						
WR071330127	27	270	270	51.0	35.2	14.0	9.0
WR071330128	28						
WR071330129	29	280	280	53.0	36.9	14.5	9.0
WR071330130	30						
WR071330132	32	290	290	55.0	38.5	15.0	9.0
WR071330134	34						
WR071330126	26	300	300	57.0	39.8	15.5	9.0
WR071330127	27						
WR071330128	28	310	310	59.0	40.8	16.0	10.0
WR071330129	29						
WR071330130	30	320	320	62.0	42.8	16.5	10.0
WR071330132	32						
WR071330134	34	330	330	63.5	43.8	17.0	11.0
WR071330132	32						
WR071330132	32	350	350	69.0	47.8	17.5	11.0
WR071330134	34						
WR071330134	34	360	360	73.0	50.8	18.0	12.0
WR071330134	34						



## WRENCHES

### Zebra Powerdriv® Combination Wrench - Short Type



#### Standard

- Standard: DIN 3113A/ISO 3318/773
  - Drive: Box end **POWERDRIV**®, 12-point
  - Material: Chrome-vanadium steel
  - Surface: Chrome-plated, polished
  - Geometry: Box end angled 15°, open-end offset 15°
- Packing & Sold in: Each

Item #	(in.)	L (mm)	b1 (mm)	Ø d (mm)	a1 (mm)	a2 (mm)
WR071330303	3/8"	140	22.5	16.1	7.5	4.5
WR071330304	7/16"	150	25	17.4	8	5
WR071330305	1/2"	170	29	20.4	9	5.5
WR071330306	9/16"	180	31	21.6	9.5	6
WR071330307	5/8"	200	36	24.6	10	6
WR071330308	11/16"	205	38	26.1	10.5	6.5
WR071330309	3/4"	230	42	29.9	11.5	7.5
WR071330311	7/8"	260	49	33.7	13.5	8

### Zebra Powerdriv® Combination Wrench Assortment - Short Type



#### Metric

#### 11 pieces, with plastic holder

- Box end **POWERDRIV**® (12 point)
  - Standard: DIN 3113A/ISO 3318/7738
  - Material: Chrome-vanadium steel
  - Surface Finish: Chrome-plated polished heads
  - Open-end position 15°, strong heads for heavy duty use
  - 12-Point box-end and open-end position of 15° for an optimal grip ratio, resulting in minimal rotating angle
  - The 15° angle of the box end provides more free space for the fingers or to work around obstacles
- Packing & Sold in: Each

Item #	Set	(mm)
WR071330140	11 pieces	8, 9, 10, 11, 12, 13, 14, 15, 17, 19, 22

**A WRENCHES**

**Zebra Powerdriv® (12-Point) Dual Ratchet Combination Wrench**





**Innovative wrench with ratchet function on the box and open sides.**

- Drive: Box end POWERDRIV® modified 12 point, open side with open ratchet segment
  - Standard: Max. torque as per DIN 899
  - Material: Chrome-vanadium steel
  - Surface: polished, chrome-plated
  - Geometry: Straight on box end, 15° angle on open end
  - To change the turning direction, simply turn the wrench around
  - Open side features moving ratchet segment
  - Enables working without stopping, as the wrench no longer needs to be taken off the nut. Ideal for all line screw joints
  - Fine-toothed on ring side, 72 teeth, 5° rotating angle
  - Very rugged and strong ratchet for high tightening torques
- Packing & Sold in: Each

**Areas of use:**

- Designed for union screw joints, e.g. brake lines, injection lines, air conditioning, hydraulics etc.

Item #	 Sizes (mm)					
		L (mm)	a1 (mm)	a2 (mm)	Dia. d (mm)	b1 (mm)
WR071425908	8	140	4.1	6.5	16.8	16.7
WR071425909	9	149	4.3	6.9	18.8	18.7
WR071425910	10	158	4.8	7.3	20.8	20.8
WR071425911	11	165	5.1	7.7	21.8	23.5
WR071425912	12	171	5.3	8.2	22.8	24.6
WR071425913	13	178	5.9	8.6	24.8	26.8
WR071425914	14	190	6.3	9.0	27.8	29.0
WR071425915	15	199	6.6	9.4	28.8	31.0
WR071425916	16	208	6.9	9.9	30.8	33.0
WR071425917	17	225	7.3	10.3	31.8	35.5
WR071425918	18	236	7.8	10.7	32.8	37.5
WR071425919	19	247	8.3	11.2	33.8	39.4
WR071425921	21	289	8.8	13.0	40.0	45.8
WR071425922	22					
WR071425924	24	322	9.8	14.5	46.0	51.8

**Zebra Powerdriv® (12-Point) Dual Ratchet Combination Wrench Assortment**



**Innovative wrench with ratchet function on the box and open ends**

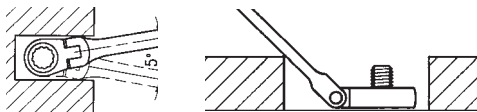
- 6 pieces, with plastic holder
- 1 ratchet combination wrench with double-ended ratchet function in each of the following sizes: 8; 10; 12; 13; 17; 19

Packing & Sold in: Each

Item #	Set	Sizes (mm)
WR071425950	6 pieces	8, 10, 12, 13, 17, 19 mm including plastic holder

# WRENCHES

## Zebra Powerdriv® Ratchet Combination Wrench - Flexible Joint



The 180° flexible joint of the box end of the wrench allows for easy access to tight areas.

- Flexible joint ratchet head provides greater freedom for fingers and overcomes obstacles
  - Very rugged, strong ratchets for high tightening torques
  - Design: Metric
  - Drive: Box end POWERDRIV® 12-point, fine-tooth 72 teeth
  - Standard: Max. torque in line with DIN 899
  - Material: Chromium-vanadium steel
  - Surface: Chrome-plated, matte satin finish
  - Geometry: Open-end offset 15°, box end 180° joint, strong heads for heavy-duty applications
- Packing & Sold in: Each

**Attention:** This is a special tool that may not be subjected to loads in excess of maximum torque values. For that reason, the tool is of limited suitability for loosening of tight screws.

Item #	Sizes (mm)						
		L (mm)	a1 (mm)	a2 (mm)	d (mm)	b1 (mm)	F max. Nm
WR071426308	8	140	4.3	6.5	16.1	16.7	35
WR071426309	9	150	4.6	6.9	17.9	18.8	46
WR071426310	10	159	5.0	7.3	19.6	20.9	59
WR071426311	11	165	5.4	7.7	21.4	23.0	74
WR071426312	12	172	5.8	8.2	22.7	25.1	91
WR071426313	13	178	6.1	8.6	24.7	27.2	109
WR071426314	14	191	6.4	9.0	26.4	29.3	131
WR071426315	15	200	6.9	9.4	27.7	31.3	153
WR071426316	16	208	7.2	9.9	29.4	33.4	179
WR071426317	17	226	7.6	10.3	31.2	35.5	205
WR071426318	18	237	8.0	10.7	32.4	37.6	235
WR071426319	19	248	8.6	11.2	33.4	39.7	266
WR071426321	21	274	9.0	13.0	39.7	46.0	330
WR071426322	22						368
WR071426324	24	296	10.0	14.5	45.9	52.3	451

## Zebra Powerdriv® Ratchet Combination Wrench Assortment - Flexible Joint



Flexible Joint

6 pieces, with plastic holder

- 1 ratchet combination wrench in each of the following sizes: 8; 10; 12; 13; 17; 19

Packing & Sold in: Each

Item #	Set	Sizes (mm)
WR071426350	6 pieces	8, 10, 12, 13, 17, 19



**A WRENCHES**

B  
C  
D  
E  
F  
G  
H  
I  
J  
K  
L  
M  
N  
O  
P  
Q  
R  
S  
T  
U  
V  
W  
X  
Y

**Zebra Hexagon Powerdriv® Double Open End Line Wrench**




- Metric
  - Drive: Hexagon **POWERDRIV®**
  - Standard: DIN 3118
  - Geometry, open end profile angled 15°, open end angled 5°
  - Material: Chrome-vanadium steel
  - Surface: Chrome-plated, polished heads
- Packing & Sold in: Each

Item #	 (mm)							
		L (mm)	a1 (mm)	a2 (mm)	Dia. d1 (mm)	Dia. d2 (mm)	B1 min. (mm)	B2 min. (mm)
WR0714240079	7 x 9	140	6.5	7.5	17.8	19.3	5	7
WR0714240080	8 x 10						6	
WR0714240113	11 x 13	174	8.5	10.5	22.8	25.3	9	11
WR0714240124	12 x 14							
WR0714240179	17 x 19	212	12	13	31.2	33.3	14	15

**Zebra Hexagon Powerdriv® Double Open End Line Wrench Assortment**

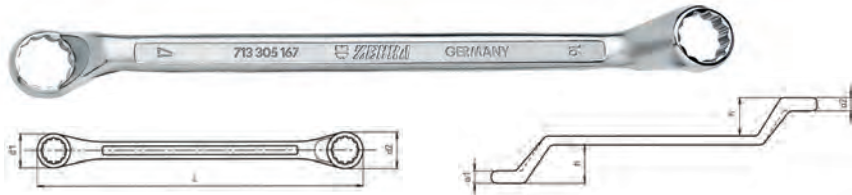


- Metric**
- 5 pieces, with plastic holder**
- Drive: Hexagon **POWERDRIV®**
- Standard: DIN 3118
- 1 each of double open end ring wrench size:  
7 x 9, 8 x 10, 11 x 13, 12 x 14, 17 x 19
- Packing & Sold in: Each

Item #	Set	(mm) 
WR071424050	5 pieces	7 x 9, 8 x 10, 11 x 13, 12 x 14, 17 x 19

**WRENCHES**

**Zebra Powerdriv® (12-Point) Double Box End Wrench - Deep Offset**



- Metric, DIN 838/ISO 3318
  - Drive: **POWERDRIV®**, 12 point
  - Material: Chrome-vanadium steel
  - Surface: Chrome-plated, polished
  - Geometry: Box ends offset 18°
- Packing & Sold in: Each

Item #	(mm)	L (mm)	a1 (mm)	a2 (mm)	dia. d1 (mm)	dia. d2 (mm)	h (mm)
WR0713305067	6x7	174	5.4	5.9	10.8	12.2	21
WR0713305089	8x9	187	6.4	6.9	13.2	14.7	23
WR0713305080	8x10	188	6.9	7.9		16.3	
WR0713305101	10x11	194	7.4	7.9	16.3	17.4	23.5
WR0713305103	10x13	215	7.9	9.9	16.3	20.7	24.5
WR0713305123	12x13	217	8.4	9.5	19.0	20.7	25
WR0713305137	13x17	243	9.9	11.8	20.7	26.2	27.5
WR0713305145	14x15	227		10.3	22.1	23.4	
WR0713305167	16x17	247	10.8	11.3	25.4	26.2	28
WR0713305168	16x18	250	11.3	11.8	25.6	28.2	
WR0713305179	17x19	284			28.0	29.4	29.5
WR0713305189	18x19		30				
WR0713305202	20x22	296	11.8	12.8	31.2	33.1	31
WR0713305213	21x23	312	12.3		32.1	35.5	
WR0713305224	22x24	313	12.8	14.3	33.0	37.0	34
WR0713305246	24x26	328		13.8	37.0	39.0	
WR0713305247	24x27	329		14.3	41.0		
WR0713305258	25x28	339	13.8	14.8	37.8	42.0	37
WR0713305279	27x29	342	14.8	15.8	41.0	44.3	36.3
WR0713305302	30x32	359			45.0	48.2	
WR0713305304	30x34	397			15.8	16.7	45.3

**Zebra Powerdriv® (12-Point) Double Box End Wrench Sets - Deep Offset**



- Drive: **POWERDRIV®** (12-point)
  - Material: Chrome-vanadium steel
  - Surface: Chrome-plated, polished
  - Geometry: Box end offset 18°
- Packing & Sold in: Each



**Item # WR071330540**

Metric, DIN 838/ISO 3318, 8 pieces  
 Sizes (in mm) 6x7, 8x9, 10x11, 12x13, 14x15, 16x17, 18x19, 20x22



**Item # WR071330541**

Metric, DIN 838/ISO 3318, 10 pieces  
 Sizes (in mm) 8x9, 10x11, 12x13, 14x15, 16x17, 18x19, 20x22, 21x23, 24x27, 30x32



**Item # WR071330542**

Metric, DIN 838/ISO 3318, 12 pieces  
 Sizes (in mm) 6x7, 8x9, 10x11, 12x13, 14x15, 16x17, 18x19, 20x22, 21x23, 24x27, 25x28, 30x32

**A WRENCHES**

**Zebra Powerdriv® (12-Point) Double Box End Ratchet Wrench - 4-In-1**



- Metric, straight
  - Output: Double box end **POWERDRIV®** (12-point)
  - Finely toothed, 72 teeth
  - Single-handed operation via reversing lever for clockwise and counterclockwise rotation
  - Material: Chrome-vanadium steel
  - Basic body surface: chrome-plated, high-gloss polished
  - Geometry: Straight box end
  - 4 sizes in one ratchet wrench
  - Most common wrench sizes are covered by only 2 ratchet wrench
  - 1/4" bit adapter available
  - Simply insert into size 10 mm ratchet wrench to use as a bit ratchet
  - For hard-to-access areas
  - Narrow ratchet head
- Packing & Sold in: Each

Item #	(mm)							
		L (mm)	a1 (mm)	a2 (mm)	b1 (mm)	b2 (mm)	d1 (mm)	d2 (mm)
WR0714257013	8x10 + 12x13	150	7.3	8.6	13.8	16.8	20.2	24.8
WR0714257017	10x19 + 13x17	200	9.0	11.2	17.1	21.9	27.2	33.6
WR0714257019	16x17 + 18x19	230	10.3		20.2		31.5	33.5

**Zebra Powerdriv® (12-Point) Double Box End Ratchet Wrench Set 4-In-1 (3 Pieces)**



**Innovative double-sided, double-ended ratcheting wrench**

- Drive: Double-box end **POWERDRIV®** 12-point, fine-toothed, 72 teeth, one-hand operation via reversing lever for clockwise and counterclockwise use
  - Material: Chrome-vanadium steel
  - Surface: Chrome-plated, high gloss polish
  - Geometry: box end straight
  - Four sizes per ratchet wrench; the most common sizes are covered by only two ratchet wrenches
  - 1/4" bit adapter available: simply insert in size 10 mm ratchet wrench, can then be used as a bit ratchet
  - Narrow ratchet head for hard-to-reach areas
- Packing & Sold in: Each

5° angle of rotation for working in the tightest of spaces. Precision-machined ring core for smooth and secure use.

Item #	Set (comes in a clear plastic blister pack)	(mm)	Finish
WR071425730	3 pieces	8 x 10 + 12 x 13, 16 x 17 + 18 x 19 Bit adapter: 10 mm 1/4", 20 mm long	Chrome
WR0714257300	3 pieces	8 x 10 + 12 x 13, 16 x 17 + 18 x 19 Bit adapter: 10 mm 1/4", 20 mm long	Black Chromium

**WRENCHES**

**Zebra Double Open-Ended Wrench Assortment - Metric**



Item # WR0965900404

**8 Pieces**

**Contents:**

**Size (in mm)**

- 6 x 7, 8 x 9, 10 x 11, 12 x 13, 14 x 15, 16 x 17, 18 x 19, 20 x 22
- Includes foam insert



**Zebra Combination Wrench Assortment - Metric**



Item # WR0965900403

**11 Pieces**

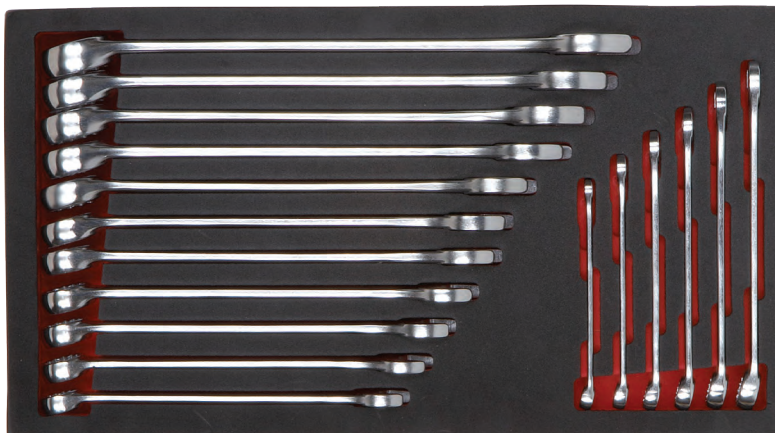
**Contents:**

**Size (in mm)**

- 8, 9, 10, 11, 12, 13, 14, 15, 17, 19, 22
- Includes foam insert



**Zebra Combination Wrench Assortment - Metric**



Item # WR0965900401

**17 Pieces**

**Contents:**

**Size (in mm)**

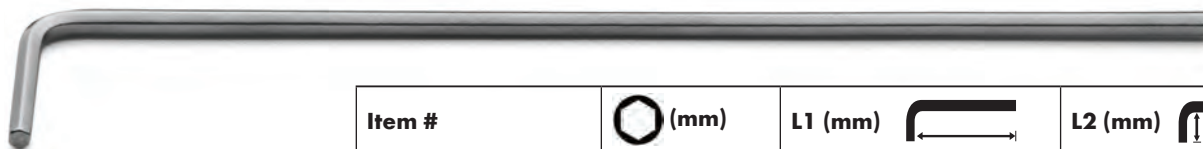
- 6, 7, 8, 9, 10, 11, 12, 13, 14, 15, 16, 17, 18, 19, 20, 21, 22
- Includes foam insert



A  
B  
C  
D  
E  
F  
G  
H  
I  
J  
K  
L  
M  
N  
O  
P  
Q  
R  
S  
T  
U  
V  
W  
X  
Y

**A ALLEN KEYS**

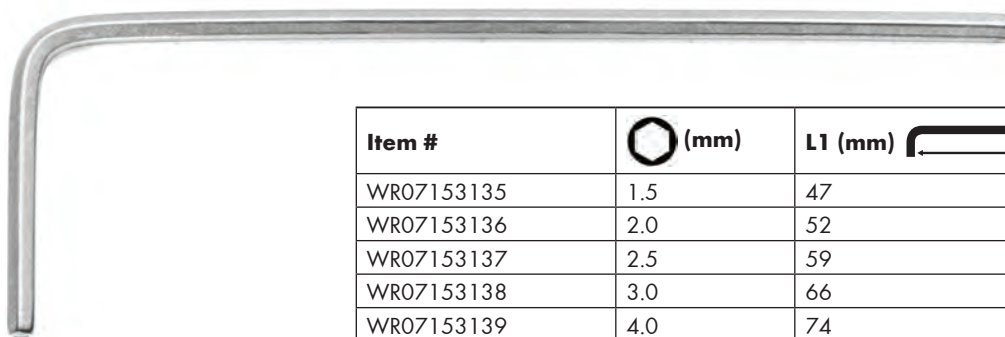
**B Zebra Allen Keys, Long Version**



- Long version
  - Bright nickel-plated
  - Chamfered front edges
- Packing & Sold In: Each

Item #	Ø (mm)	L1 (mm)	L2 (mm)
WR07153118	2.5	115	21
WR07153119	3.0	129	23
WR07153120	4.0	144	29
WR07153121	5.0	165	33
WR07153122	6.0	186	38
WR07153123	7.0	197	41
WR07153124	8.0	208	44
WR07153125	9.0	219	47
WR07153126	10.0	234	50
WR07153127	11.0	238	53
WR07153128	12.0	262	57
WR07153129	14.0	294	70
WR07153130	17.0	337	80

**M Zebra Allen Keys, Short Version**



- Short version
  - Bright nickel-plated
  - Chamfered front edges
- Packing & Sold In: Each

Item #	Ø (mm)	L1 (mm)	L2 (mm)
WR07153135	1.5	47	16
WR07153136	2.0	52	18
WR07153137	2.5	59	21
WR07153138	3.0	66	23
WR07153139	4.0	74	29
WR071531391	4.5	80	31
WR07153140	5.0	85	33
WR071531401	5.5	90	35
WR07153141	6.0	96	38
WR07153142	7.0	102	41
WR07153143	8.0	108	44
WR07153144	9.0	114	47
WR07153146	11.0	129	53
WR07153147	12.0	137	57
WR07153148	14.0	154	70
WR071531481	16.0	168	73
WR07153149	17.0	177	80
WR07153150	19.0	199	89
WR07153151	22.0	222	102



# ALLEN KEYS

## Zebra Allen Key Assortments



Short version

Long version

- 9 pieces, in plastic holder, short version
- Bright nickel-plated
- Chamfered front edges

Item #	Set	Contents (mm)
WR071531100	9-pcs	1.5, 2, 2.5, 3, 4, 5, 6, 8, 10

- 10 pieces, in plastic holder, short version
- Bright nickel-plated
- Chamfered front edges

Item #	Set	Contents (mm)
WR071531110	10-pcs	1.5, 2, 2.5, 3, 4, 5, 6, 8, 10, 12

- 9 pieces, in plastic holder, long version
- Bright nickel-plated
- Chamfered front edges

Item #	Set	Contents (mm)
WR071531120	9-pcs	1.5, 2, 2.5, 3, 4, 5, 6, 8, 10

## Zebra Torx Allen Key Assortment



- 8 pieces, in plastic holder
- TX socket
- Round blade
- Bright nickel-plated

Item #	Set	Contents
WR071536100	8-pcs	TX 9, 10, 15, 20, 25, 27, 30, 40

**A SCREWDRIVERS**

**ZEBRA Pistol Grip Ratchet Screwdriver with 6 Bit Magazine (Bits Not Included)**



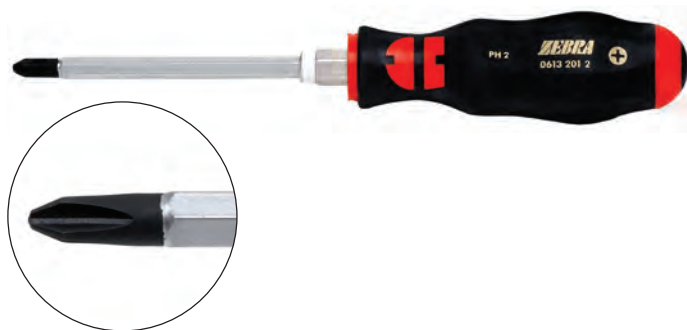
**High-performance ratchet screwdriver**

- 3-position adjustment wheel, adjustable with one hand, easy to change direction while working without using the other hand
  - Magnet ensures a secure grip on bits and screws
  - 45 teeth, max. torque of up to 40 Nm
  - 2K grip for optimum ergonomic work
  - Can be used as a standard screwdriver in the straight position or as a pistol grip in the 60° position thanks to the adjustable handle LED technology
  - Working area is always well lit, lights the screw directly
  - Especially suitable for dark areas
  - Blade: Short bit holder blade with magnet, brushed chrome-plated
  - Output: DIN 3126-D 6.3
  - Sealing cap with bit magazine for a total of 6 bits (bits not included)
- Packing & Sold In: Each

Item #	Designation	Length (mm)
<b>1/4" Bits</b>		
WR0613714	Telesc. magn. holding force 600 g	150 - 530 mm

Item #	(in.)	A1 (mm)	A2 (mm)	A3 (mm)	B (mm)	C (mm)	D (mm)
WR06136400	1/4"	10	37	40	25	26	113

**ZEBRA 3K Hex Blade Phillips Head Screwdriver**



**Flexible 3K handle ensures perfect ergonomics, force transmission and working comfort**

**Screwdriver, Phillips Head**

- Blade: One-piece hexagon blade, brushed chrome-plated; wrench adapter matte nickel-plated, tempered, impact-resistant
  - Würth color coding system
  - Large impact cap
  - Tip: DIN 5260-PH, ISO 8764-PH with black point tip
- Packing & Sold In: Each

Item #	+	Diagram		(mm)	(in.)
		A (mm)	B/C (mm)		
WR06132011	PH 1	80	96/31	5/8	3 1/8"
WR06132012	PH 2	100	106/35	6/10	4"
WR06132013	PH 3	150	114/38	8/13	6"

## SCREWDRIVERS

### ZEBRA 3K Hexagon Blade Slotted Head Screwdriver



**Flexible 3K handle ensures perfect ergonomics, force transmission and working comfort.**

**Screwdriver, flat slotted**

- Blade: One-piece hexagon blade, brushed chrome-plated; torque adjustment matte nickel-plated, tempered, impact-resistant
- Large impact cap
- Output: DIN 5264-A, ISO 2380 with black point tip

Packing & Sold In: Each

Item #	 (mm)			 (mm)	 (in.)
		A (mm)	B/C (mm)		
WR0613200035	0.6 x 3.5	80	83/27	4/-	1/8 x 3 1/16"
WR0613200045	0.8 x 4.5	90	96/31	5/8	3/16 x 3 3/5"
WR0613200055	1.0 x 5.5	100	96/31	6/10	7/32 x 4"
WR061320007	1.2 x 7.0	125	106/35	6/10	9/32 x 5"
WR061320009	1.6 x 9.0	150	114/38	8/13	11/32 x 6"
WR061320010	1.6 x 10.0	175	114/38	8/13	3/8 x 7"
WR061320012	2.0 x 12.0	200	114/38	10/16	1/2 x 8"

### ZEBRA 3K Slotted and Phillips Head Screwdriver Set - 5 Pieces



- 5 pieces, with three slotted and two Phillips head screwdrivers for the automotive and metalwork trades
- Flexible 3K handle ensures perfect ergonomics, power transmission and working comfort
- Impact caps

Packing & Sold In: Each

Item #	Contents		
WR06139015	5-pc. set	1.0x5.5 / 1.2x7.0 / 1.6x9.0 mm	PH 1   PH 2



## ZEBRA® 3K HANDLE

The flexible 3-component handle ensures an optimal, sensitive seat in the hand and allows connection with the robust design also the highest power transmission.

A  
B  
C  
D  
E  
F  
G  
H  
I  
J  
K  
L  
M  
N  
O  
P  
Q  
R  
S  
T  
U  
V  
W  
X  
Y

**A SCREWDRIVERS**

**ZEBRA 3K Torx Screwdriver Set (6 Pieces)**



**Item # WR06139036 6 piece set**

- 6 pieces, with flexible 3K handle for perfect ergonomics, power transmission and operating comfort
- Blade: Round, brushed chrome-plated
- Tip: TX socket with black point tip
- Würth color coding system
- Screw symbol printed on handle end for quick identification

Packing & Sold In: Each

	A (mm)	B/C (mm)	
TX 8	60	83/27	2 3/8"
TX 10	80		
TX 15		96/31	4"
TX 20	100		
TX 25		106/35	4 9/16"
TX 30	115		

**ZEBRA Slotted Screwdriver - Round Blade**



- Round blade
- Blade: Matte chrome-plated
- Tip: DIN 5264-A, ISO 2380, black point tip
- Standard: DIN 5265

Packing & Sold In: Each

Item #				
		A (mm)	B/C (mm)	
WR061323103	0.5 x 3.0	80	73/20	1/8" x 3 1/8"
WR0613231065	1.2 x 6.5	150	106/35	1/4" x 6"
WR061323110	1.6 x 10.0	200	114/38	3/8" x 8"

**ZEBRA Slotted Screwdriver - Round Blade, Short**



- Round blade, short
- Blade: Matte chrome-plated
- Tip: DIN 5264-A, ISO 2380, black point tip
- Standard: DIN 5265

Packing & Sold In: Each

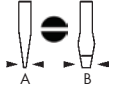
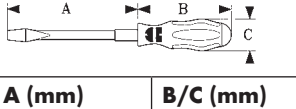
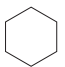

Item #				
		A (mm)	B/C (mm)	
WR061325108	1.2 x 8.0	25	62/31	5/16 x 1"

## SCREWDRIVERS

### ZEBRA Slotted Screwdriver - Hexagon Blade, Impact Cap, Wrench Adapter

- Hexagon blade, impact cap
  - Large impact cap
  - Tip: DIN 5264-A, ISO 2380, black point tip
  - Wrench adapter
- Packing & Sold In: Each

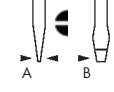
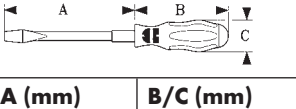
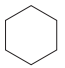



Item #						
		A (mm)	B/C (mm)			
WRO613321045	0.8 x 4.5	90	96/31		5 / 8	3/16 x 3 3/5"
WRO613321055	1.0 x 5.5	100	96/31		6 / 10	7/32 x 4"
WRO61332107	1.2 x 7.0	125	106/35		6 / 10	9/32 x 5"
WRO61332109	1.6 x 9.0	150	114/38		8 / 13	11/32 x 6"
WRO61332110	1.6 x 10.0	175	114/38		8 / 13	3/8 x 7"
WRO61332112	2.0 x 12.0	200	120/40.5		10 / 16	1/2 x 8"
WRO61332114	2.5 x 14.0	250	120/40.5		10 / 16	9/16 x 10"

### ZEBRA Slotted Screwdriver - Hexagon Blade, Wrench Adapter

- Hexagon blade and wrench adapter
  - Blade: Matte chrome-plated
  - Tip: DIN 5264-A, ISO 2380, black point tip
- Packing & Sold In: Each



Item #						
		A (mm)	B/C (mm)			
WRO613421035	0.6 x 3.5	80	83/27		4 / -	1/8 x 3 1/16"
WRO613421004	0.8 x 4.0	90	96/31		5 / 8	5/32 x 3 5/8"
WRO613421055	1.0 x 5.5	100	96/31		5 / 8	7/32 x 4"
WRO613421065	1.2 x 6.5	125	106/35		6 / 10	1/4 x 5"
WRO61342108	1.6 x 8.0	150	114/38		8 / 13	5/16 x 6"
WRO61342110	1.6 x 10.0	175	114/38		8 / 13	3/8 x 7"
WRO61342112	2.0 x 12.0	200	120/40.5		10 / 16	1/2 x 8"

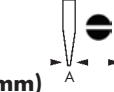
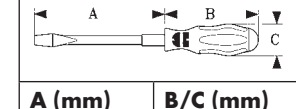
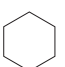
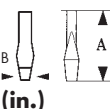
### ZEBRA Slotted Screwdriver - Hexagon Blade, Laser-cut Tip

- Laser-cut tip, hexagon blade
  - Ultra-secure seating of screwdriver in screw head
  - Better screw grip for improved torque transfer
  - Improved safety and less damage to screws and sensitive surfaces with less slippage
  - No repeated placement when screwing
  - Blade: Brushed chromium-plated
  - Tip: DIN 5264-A, ISO 2380, laser-cut tip, Black Point Tip
- Packing & Sold In: Each



Laser-cut tip profile  
Laser-cut blade tip for a sharp-edged surface structure



Item #						
		A (mm)	B/C (mm)			
WRO613424035	0.6 x 3.5	75	83/27		4 / -	1/8 x 3 1/16"
WRO61342404	0.8 x 4.0	90	96/31		4 / -	5/32 x 3 5/8"
WRO613424055	1.0 x 5.5	100	96/31		5 / 8	7/32 x 4"
WRO613424065	1.2 x 6.5	125	106/35		6 / 10	1/4 x 5"
WRO61342408	1.6 x 8.0	150	114/38		8 / 13	5/16 x 6"
WRO61342410	1.6 x 10.0	175	114/38		8 / 13	3/8 x 7"

**A SCREWDRIVERS**

**ZEBRA Phillips Head Screwdriver - Hexagon Blade - Impact Cap - Wrench Adapter**



- Hexagon blade, impact cap, wrench adapter
  - Large impact cap
  - Tip: DIN 5260-PH, ISO 8764-PH, black point tip
  - Standard: DIN 5262, SMS SS 2831
- Packing & Sold In: Each

Item #	PH 1 PH 2 PH 3 PH 4			 (mm)	 (in.)
		A (mm)	B/C (mm)		
WRO6133221	PH 1	80	96/31	5 / 8	3 1/8"
WRO6133222	PH 2	100	106/35	6 / 10	4"
WRO6133223	PH 3	150	114/38	8 / 13	6"
WRO6133224	PH 4	200	120/40.5	10 / 16	8"

**ZEBRA Phillips Head Screwdriver - Round Blade - Short**



- Round blade, short
  - Blade: Matte chrome-plated
  - Tip: DIN 5260-PH, ISO 8764-PH, black point tip
  - Standard: DIN 5262, SMS SS 2831
- Packing & Sold In: Each

Item #	PH 1 PH 2			 (in.)
		A (mm)	B/C (mm)	
WRO6132521	PH 1	25	62/31	1 3/4"
WRO6132522	PH 2			

**ZEBRA Phillips Head Screwdriver - Round Blade**



- Round blade
  - Blade: Matte chrome-plated
  - Tip: DIN 5260-PH, ISO 8764-PH, black point tip
  - Standard: DIN 5262, SMS SS 2831
- Packing & Sold In: Each

Item #	PH 1 PH 2 PH 3 PH 4			 (in.)
		A (mm)	B/C (mm)	
WRO61323201	PH 1	80	96/31	3 1/8"
WRO61323202	PH 2	100	106/35	4"
WRO61323203	PH 3	150	114/38	6"
WRO61323204	PH 4	200	120/41	8"

## SCREWDRIVERS

### ZEBRA Phillips Head Screwdriver - Hexagon Blade - Wrench Adapter



- Hexagon blade, wrench adapter
  - Blade: Matte chrome-plated
  - Tip: DIN 5260-PH, ISO 8764-PH, black point tip
- Packing & Sold In: Each



Item #	+			 (mm)	 (in.)
		A (mm)	B/C (mm)		
WR06134221	PH 1	80	96/31	5 / 8	3 1/8"
WR06134222	PH 2	100	106/35	6 / 10	4"
WR06134223	PH 3	150	114/38	8 / 13	6"
WR06134224	PH 4	200	120/40.5	10 / 16	8"

### ZEBRA Phillips Head Screwdriver - Laser-cut Tip - Hexagon Blade - Wrench Adapter



Laser-cut tip profile  
Laser-cut blade tip for a sharp-edged surface structure

- Laser-cut tip, hexagon blade, wrench adapter
  - Ultra-secure seating of screwdriver in screw head
  - Better screw grip for improved torque transfer
  - Less slippage means improved safety as well as less damage to screws and sensitive surfaces
  - No repeated placement when screwing
  - Blade: Brushed chrome-plated
  - Tip: DIN 5260-PH, ISO 8764-PH, laser-cut tip, black point tip
- Packing & Sold In: Each



Item #	+			 (mm)	 (in.)
		A (mm)	B/C (mm)		
WR06134251	PH 1	80	96/31	5 / 8	3 1/8"
WR06134252	PH 2	100	106/35	6 / 10	4"
WR06134253	PH 3	150	114/38	8 / 13	6"

### ZEBRA Torx Screwdriver - Round Blade



- Blade: Round blade, matte chrome-plated
  - Tip: TX socket, black point tip
- Packing & Sold In: Each



Item #	+		Blade Length (mm)
WR061343410	TX 10	80	
WR061343415	TX 15		
WR061343420	TX 20	100	
WR061343425	TX 25		
WR061343427	TX 27	115	
WR061343430	TX 30		
WR061343440	TX 40	130	
WR061343445	TX 45		

A  
B  
C  
D  
E  
F  
G  
H  
I  
J  
K  
L  
M  
N  
O  
P  
Q  
R  
S  
T  
U  
V  
W  
X  
Y

**A SCREWDRIVERS**

**ZEBRA Torx Screwdriver - Round Blade - Long Length**



- Blade: Round blade, matte chrome-plated
  - Tip: TX socket, black point tip
- Packing & Sold In: Each

Item #				 (in.)
		A (mm)	B/C (mm)	
WR061346410	TX 10	250	83/27	10"
WR061346420	TX 20		96/31	
WR061346430	TX 30		106/35	

**ZEBRA Screwdriver Set - Round Blade - Phillips/ Slotted head - 6 Pieces**



Item # **WR061392326** 6 piece set

- 0.6 x 3.5 x 100 mm, 1.0 x 5.5 x 125 mm, 1.2 x 6.5 x 150 mm, 1.2 x 8.0 x 175, PH1, PH2
- Packing & Sold In: Each

Includes:

(mm)		
0.6 x 3.5 x 100		PH 1
1.0 x 5.5 x 125		PH 2
1.2 x 6.5 x 150		
1.2 x 8.0 x 175		

**ZEBRA Screwdriver Set - Hexagon Blade - Phillips/Slotted head - With Wrench Adapter- 6 Pieces**



Item # **WR061394226** 6 piece set

- Hexagon blade and wrench adapter for automotive and metalwork trades
  - Blade: Brushed chrome-plated
  - 1 each of slotted screwdriver with hexagon blade and torque adjustment
  - 0.6 x 3.5 x 75; 1.0 x 5.5 x 100; 1.2 x 6.5 x 125; 1.6 x 8.0 x 150
  - 1 each of PH screwdriver with hexagon blade and torque adjustment PH 1; PH 2
- Packing & Sold In: Each

Includes:

Item #	(mm)		Item #	
WR0613421035	0.6 x 3.5 x 75		WR06134221	PH 1
WR0613421055	1.0 x 5.5 x 100		WR06134222	PH 2
WR0613421065	1.2 x 6.5 x 125			
WR061342108	1.6 x 8.0 x 150			



## SCREWDRIVERS

### ZEBRA Torx Screwdriver Assortment - 7 Pieces



- 7 Screwdrivers: TX 10; 15; 20; 25; 27; 30; 40
- Foam drawer insert

**7 Piece Set**

**Item #: WR0965900502**




### ZEBRA Torx Screwdriver Set 8 Pieces



- 1 Screwdriver set TX 8 pcs.
- Blade: Round blade, brushed chromium-plated, tip: TX socket, black point tip

**8 Piece Set**

**Item #: WR06139348**

	Blade length (mm)
TX 10	80
TX 15	
TX 20	100
TX 25	
TX 27	115
TX 30	
TX 40	130
TX 45	



### ZEBRA Multi Screwdriver Assortment - 8 Pieces



- 6 screwdrivers with one-piece hexagon blade 0.6 x 3.5; 0.8 x 4.5; 1.2 x 7.0; 1.6 x 9.0; PH1; PH2
- 2 screwdrivers, short, PH1; PH2
- Foam drawer insert

**8 Piece Set**

**Item #: WR0965900501**



**A SCREWDRIVERS**

**ZEBRA Screwdriver with 1/4" Square Tip - Includes Ratchet Adapter**



- One-piece blade
  - Blade: Round, bright chrome-plated
  - Tip: DIN 3120-A 6.3
  - With ratchet adapter
- Packing & Sold In: Each



Item #	(in.)	A (mm)		B/C (mm)	(in.)
		A (mm)			
WR0613430310	1/4"	110		106/35	4 3/8"

**ZEBRA Screwdriver with 1/4" Square Tip**



- Blade: Round, bright chrome-plated
  - Tip: DIN 3126-D 6.3
- Packing & Sold In: Each



Item #	(in.)	A (mm)		B/C (mm)	(in.)
		A (mm)			
WR0613430311	1/4"	110		106/35	4 3/8"

**ZEBRA Screwdriver with 1/4 Inch Bit Chuck**



- Blade: Round with magnet
  - Head: Bright nickel-plated
  - Tip: DIN 3126-D 6.3
- Packing & Sold In: Each



Item #	(in.)	A (mm)		B/C (mm)	(in.)
		A (mm)			
WR061343031	1/4"	100		106/35	4"

**ZEBRA Screwdriver with 1/4 Inch Bit Chuck**



- Flexible shaft
  - Blade: Round, bright chrome-plated
  - Tip: DIN 3120-A 6.3
- Packing & Sold In: Each



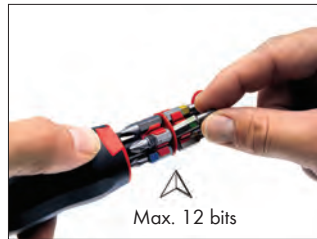
Item #	(in.)	A (mm)		B/C (mm)	(in.)
		A (mm)			
WR06134733	1/4"	150		106/35	6"

**SCREWDRIVERS**

**Zebra Ratchet Magazine Screwdriver (Includes 12 Bits)**



Magnetic blade mount for 1/4" bits



Easy removal of the desired bit



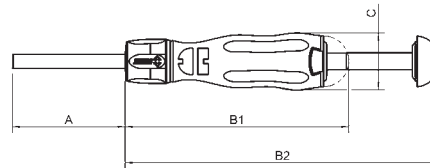
Secure closing thanks to "snap lock"

Designation	Tip
<b>Included Bits</b>	
PH 1	
PH 2	
TX 10	
TX 15	
TX 20	
TX 25	
TX 30	
Allen 4 mm	
Allen 5 mm	
Allen 6 mm	
Slotted, 0.6 x 4.5 mm	
1/4"	

**Item # WR06136103**

- Equipped with 12 bits
- Blade: Circular blade with magnet, bright chrome-plated
- Tip: DIN 3126-D 6.3
- 28 teeth, max. torque over 20 Nm.
- Advantage of the ratchet function is no need to reposition hand. This enables fast efficient operation in any assembly situation. Bit magazine for max. 12 bits
- Extendable, rotating magazine lets you find the bit you need quickly.
- 1/4" bit with color coding system

Packing & Sold In: Each



(in.)	A (mm)	B1/B2 (mm)	C (mm)
1/4"	80	147/207	37.5

**ZEBRA Mini Ratchet Screwdriver (Includes 11 Bits)**



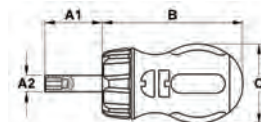
- 10-piece bit strip + PH2 bit
- 2K handle
- Blade: Short bit holder blade with magnet, bright chrome-plated
- Tip: DIN 3126-D 6.3
- For high torque applications in tight spaces

Packing & Sold In: Each

Bits included (1 each):	
	1/4"
	5.5 mm
	4 mm, 5 mm
	PH 1, PH 2
	TX 10, TX 15, TX 20, TX 25, TX 30



Item #	(in.)	A (mm)	B (mm)	C (mm)	A2 (mm)
WR061363050	1/4"	26	70	38	20



A  
B  
C  
D  
E  
F  
G  
H  
I  
J  
K  
L  
M  
N  
O  
P  
Q  
R  
S  
T  
U  
V  
W  
X  
Y

**A SCREWDRIVERS, T-HANDLE**

**ZEBRA T-Handle Hexagon Socket Wrench**



- For hexagon head screws
  - Blade: Round, chrome-plated
  - Tip: DIN 475/2
  - Inner bore for protruding threaded shafts
  - Standard: DIN 3125
- Packing & Sold In: Each

Item #	(mm)			
		A (mm)	B/C (mm)	A (in.)
WRO61312010	10	125	35/104	5"
WRO61312013	13		39/117	
WRO61312016	16			35/104
WRO61312017	17		300	
WRO61312108	8	230		35/104
WRO61312110	10			
WRO61312113	13	300	35/104	12"
WRO61312208	8			
WRO61312210	10			
WRO61312213	13			

**ZEBRA T-Handle Socket Wrench Set (5 Pieces)**



Item # **WRO61391205** 5 piece set

- Blade: Circular, nickel-plated
  - Output: DIN 475/2
  - Inner bore for protruding threaded shafts
  - Standard: DIN 3125
- Packing & Sold In: Each



Includes:

Item #	(mm)	Blade Length (mm)
Only available in set	6	125
WRO61312007	7	
WRO61312008	8	
WRO61312010	10	
WRO61312013	13	

## SCREWDRIVERS, T-HANDLE

### ZEBRA T-Handle Torx Head Screwdriver with Side Hex Tip

- Integrated side tip
- Effortless tightening and loosening of screw connections
- Particularly suitable for rusted and seized screw connections
- High-quality blade
- Matte chrome-plated hexagon blade for optimal corrosion protection and long service life
- High-quality special steel ensures optimal balance of ductility and wear resistance
- One-piece blade
- Resistant even to extremely high stresses
- Multi-component handle comprising solid core and soft casing
- Highly slip-proof special black plastic ensures maximum torque transfer
- Solid core and soft casing ensure rigidity and a secure grip
- Ergonomically adapted handle for a comfortable grip and fatigue-free operation
- Integrated drilled hole for storage on tool rack
- Black point tip
- Higher torque and a precise fit
- Output: For TX socket

Packing & Sold In: Each



Item #	Torx Head (mm)	Dimensions		
		A (mm/in.)	B/C (mm)	Length of Side Hex Tip (mm)
WR061314009	TX 9	100/4"	27/82	13"
WR061314010	TX 10			
WR061314015	TX 15			
WR061314020	TX 20	200/8"	35/105	17"
WR061314025	TX 25			
WR061314027	TX 27			
WR061314030	TX 30			
WR061314040	TX 40			
WR061314045	TX 45			

### ZEBRA T-Handle Torx Socket Screwdriver Set (6 Pieces)



Item # **WR061391406** 6 piece set

- For TX socket, with side output
- Integrated side tip
- Effortless tightening and loosening of screw connections
- High-quality blade
- Matte chrome-plated hexagon blade for optimal corrosion protection and long service life
- Multi-component handle comprising solid core and soft casing
- Highly slip-proof special black plastic ensures maximum torque transfer
- Integrated drilled hole for storage on tool rack.
- Contents: 6 pcs.
- 6 T-handle screwdrivers for TX socket (TX 10, 15, 20, 25, 30, 40)

Packing & Sold In: Each

Includes:

Item #	Torx Head	Blade Length (mm)
WR061314010	TX 10	100
WR061314015	TX 15	
WR061314020	TX 20	
WR061314025	TX 25	200
WR061314030	TX 30	
WR061314040	TX 40	
WR061314040	TX 40	



**A SCREWDRIVERS, T-HANDLE**

**ZEBRA T-Handle Ball Head Screwdriver with Side Hexagon Tip**


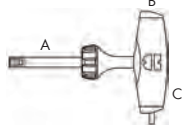



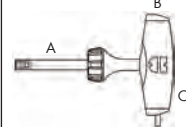
**Features:**

- Integrated side tip
- High-quality blade
- One-piece blade
- Multi-component handle comprising solid core and soft casing
- Black point tip

Packing & Sold In: Each



Item #	 (mm)			Length of Side Hex Tip (mm)	Tip
		A (mm/in.)	B/C (mm)		
WR061313005	5	150/6"	35/105	17	Ball Head Tip
WR061313006	6				
WR061313008	8				
WR061313105	5	200/8"	39/117	22	
WR061313106	6				
WR061313108	8				
WR061313110	10				

Item #	 (mm)			Length of Side Hex Tip (mm)	Tip
		A (mm/in.)	B/C (mm)		
WR0613132025	2.5	150/6"	27/82	13	Hex Head Tip
WR061313203	3				
WR061313204	4		35/105	17	
WR061313205	5				
WR061313206	6				
WR061313208	8	200/8"	27/82	13	
WR061313303	3				
WR061313304	4		35/105	17	
WR061313305	5				
WR061313306	6				
WR061313308	8				
WR061313310	10		39/117	22	

**ZEBRA T-Handle Hex Blade Screwdriver Set (6 Pieces)**




Item # **WR061391306** 6 piece set

- 1 each of T-handle wrench with ball head hexagon socket, size 5 mm, 6 mm, 8 mm
- 1 each of T-handle wrench with hexagon socket, size 2.5 mm, 3 mm, 4 mm

Packing & Sold In: Each

**Includes:**



Item #	 Contents (mm)	Blade Length (mm)	Tip
WR0613132025	2.5	150	Hex Head Tip
WR061313203	3		
WR061313204	4		
WR061313005	5	150	Ball Head Tip
WR061313006	6		
WR061313008	8		

## SCREWDRIVERS, T-HANDLE

### ZEBRA T-Handle, Torx Socket Set - In Sheet Steel Rack - 7 Pieces



Item #: **WR06139147** 7 piece set

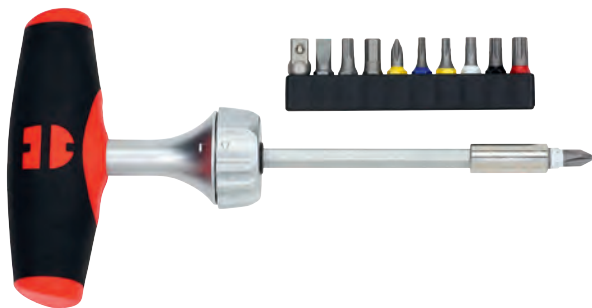
- In sheet steel rack
- Integrated side output
- Effortless tightening and loosening of screw connections
- Particularly suitable for rusted and seized screw connections
- Multi-component handle comprising solid core and soft casing
- Ergonomically adapted handle for a comfortable grip and effortless work
- Integrated drilled hole for storage on tool rack
- Black Point tip
- Higher torque and a precise fit
- One-piece blade
- Resistant even to extremely high stresses
- Contents: 7 pieces
- 1 each of T-handle screwdriver TX 10; TX 15; TX 20; TX 25; TX 30; TX 40; TX 45

Packing & Sold In: Each

Includes:

Item #	(mm)	Blade Length (mm)
WR061314010	TX 10	100
WR061314015	TX 15	
WR061314020	TX 20	200
WR061314025	TX 25	
WR061314030	TX 30	
WR061314040	TX 40	
WR061314045	TX 45	

### ZEBRA T-Handle Ratchet Screwdriver Set with 11 piece bits



- With 10-piece bit strip + PH2 bit
- Robust ratchet function with 45 teeth
- Max. torque of up to 40 Nm
- 3-position adjustment wheel is adjustable with one hand
- Easy, one-handed change of direction while working

Packing & Sold In: Each

Bits included (1 each):

	1/4"
	5.5 mm
	4 mm, 5 mm
	PH 1, PH 2
	TX 10, TX 15, TX 20, TX 25, TX 30



**Ratchet function**

Very rugged design, max. torque up to 40 Nm (29.5 lb-ft).

Item #	(in.)				
		A (mm)	B (mm)	C (mm)	A2 (mm)
WR061363040	1/4"	95	85	100	10

**A BITS & ACCESSORIES**

**ZEBRA Flexible Bit Holder Length 175mm - 1/4" Drive**



Item #	Drive (in.)	Drive Type	Tip Size (in.)	Tip Type	Length (mm)
WR0613713	1/4"	Outer Hexagon	1/4"	Internal Hexagon Socket	175

**Ratchet Bit Assortment - 38 Pieces**



Bit set especially for automobiles and commercial vehicles, 38 pieces

- ZEBRA ratchet for 10 mm bits
- Additional ZEBRA adapter allows use of a 1/2" ratchet
- Supplied in a metal box with high quality interior foam compartment with clamping effect

Packing & Sold In: Each; Replacement bits sold in multiples of 5 each.

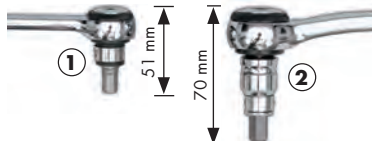
Item #	Description
WR096512370	Ratchet Bit Set

Includes:

Item #	Destination	Drive	Length
WR071412100	ZEBRA Ratchet for 10mm bits		175mm
WR07151303	ZEBRA Adapter for 1/2" ratchet		37mm
WR061478820	TX 20 with hole		30mm
WR061478825	TX 25 with hole		
WR061478827	TX 27 with hole		
WR061478830	TX 30 with hole		
WR061478840	TX 40 with hole		
WR061478845	TX 45 with hole		
WR061478850	TX 50 with hole		
WR061478855	TX 55 with hole		75mm
WR0614788120	TX 20		
WR0614788125	TX 25		
WR0614788127	TX 27		
WR0614788130	TX 30		
WR0614788140	TX 40		
WR0614788145	TX 45		
WR0614788150	TX 50		
WR0614788155	TX 55		

Item #	Destination	Drive	Length
WR0614788240	TX 40		120 mm
WR0614788245	TX 45		
WR0614788250	TX 50		
WR0614788305	Hexagon socket M5		30 mm
WR0614788306	Hexagon socket M6		
WR0614788307	Hexagon socket M7		
WR0614788308	Hexagon socket M8		
WR0614788310	Hexagon socket M10		
WR0614788312	Hexagon socket M12		
Only Available in Set	Triple Square M5		30 mm
WR0614788406	Triple Square M6		
WR0614788408	Triple Square M8		
WR0614788410	Triple Square M10		
WR0614788412	Triple Square M12		75 mm
Only Available in Set	Triple Square M6		
WR0614788508	Triple Square M8		
WR0614788510	Triple Square M10		30 mm
Only Available in Set	Triple Square M12		
WR0614788902	PH 2		
WR0614788903	PH 3		30 mm

- ① Ratchet with short 10 mm bit
- ② 1/2" ratchet with adapter





**BITS & ACCESSORIES**

**Drive & Insert Bits**



Item #	Magnetic	Tip Size	Overall Length	Sold In
<b>Phillips Drive Bits</b>				
WR0614176274	No	#1	1"	1 each
WR0614176461	No	#2	1"	1 each
WU92210	No	#2	1"	1 each
WU92220	No	#2	2"	1 each
WU92230	No	#2	2-3/4"	1 each
WR0614176648	No	#3	1"	1 each
<b>Pozi Drive Bits</b>				
WR0614176652	No	#2	1"	10 each
WR0614176653	No	#3	1"	1 each
<b>Square Drive Bits</b>				
LCTBS2X1RS	No	#2	1"	1 each
WU90220	No	#2	2"	1 each
LCTBS2X3RS	No	#2	3"	1 each
WU90240	No	#2	4"	1 each
LCTBS2X6RS	No	#2	6"	1 each
<b>Powerdriv Hex Bits</b>				
WR061417693	No	#3	25mm	1 each
WR061417694	No	#4	25mm	1 each
WR061417695	No	#5	25mm	1 each
WR061417696	No	#6	25mm	1 each
<b>Torx Bits</b>				
WRT20X2	No	T20	2"	1 each



**Painted Square Drive Bits**

- Makes it easy to identify the right bit (tip is not painted)

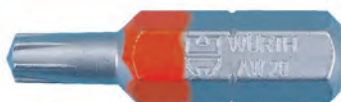


Item #	Color	Tip Size	Overall Length	Sold In
WU91210	Red	#2	1"	1 each
WU91220	Red	#2	2"	1 each
WU91230	Red	#2	3"	1 each
WU91260	Red	#2	6"	1 each



**AW® ASSY DRIVE Bits**

- For use with ASSY drive screws



Item #	Tip Size	Overall Length	Sold In
WRAW10	#10 Purple	1"	1 each
WRAW20	#20 Orange	1"	1 each
WRAW20-4	#20 Orange	4"	1 each
WRAW20-6	#20 Orange	6"	1 each
WRAW25	#25 Green	1"	1 each



**A BITS & ACCESSORIES**

**B 1/4 Inch Phillips Bit (Hex Quick Change)**

Packing & Sold In: Each



Item #	Designation	Phillips-Head System	Tip	Drive	Length (mm)
WR0614100201	PH 2	MSVM 2 - Magazine attachment - Makita			152
WR0614100111		MSVW 1 - Magazine attachment - Wurth / Bosch			155
WR0614100211		MSVW 2 - Magazine attachment - Wurth / Bosch			168
WR0614100212		S50-TB - Magazine screw attachment - Wurth/Kress/Eibenstock			176.5

**J Insert Bit Holder with Quick Change Chuck**



- A slight forward motion of the locking sleeve unlocks the bit for a quick change

Item #	Overall Length
<b>Magnetic</b>	
WU99010	2-1/4"
WR614176708	3"
<b>Non-Magnetic</b>	
WR0614176711	2"

**R Insert Bit Holder, Magnetic, One Touch Release**



- Soft push on the button, the bit will shoot forward due to the internal spring for easy removal
- Stainless steel housing

Item #
WR0614176638

**W Insert Bit Holder, Magnetic**



- High energy magnet helps alleviate the problem of lost bits

Item #	Overall Length	Brand
WR0614176702	3"	Wurth

**BITS & ACCESSORIES**



**Right Angle Drill Attachment, Magnetic, 1/4" Bit Mount with Quick Change Chuck**



- Suitable for use with electric drills and battery operated driver drills
- Specially hardened steel enables maximum torque, with a maximum speed of 2,000 RPM's
- Secure hold and 360° step-free adjustable handle
- Compact design is perfectly suited for screwing in cramped and hard-to-reach places

<b>Item #</b>
WR06149000



**Magnetic Universal Bit Assortment (90 Pieces)**



- Includes standard drive styles and safety screws, 1/4" drive magnetic ratchet adapter and sturdy metal box
- Comes in foam insert to keep the bits nicely organized

<b>Item #</b>
WR0614250500

**ZEBRA Universal Bit Assortment (105 Pieces)**



**Item # WR0614250300 105 piece set**



**Comprehensive 1/4" bit assortment with the most common standard and security bits in short and long versions**

- A majority of the bits are for security screws. Used wherever unauthorized loosening is to be prevented
- Includes two bit adapters and one screw hook
- The solution for virtually all screw types
- In sturdy metal box with foam insert

**Areas of Application:**

Public facilities, motor vehicle and motorcycle sector, plumbing applications, construction industry, electrical, electronics and machine sector

**A RATCHETS**

**ZEBRA Ratchet with Rotary Disc Reverse**



**Rotary Disc Reverse**

**Fine tooth rotary disc with 72 teeth; 5° angle of rotation**

- Compact, narrow head
- Simple changeover from clockwise to counterclockwise rotation
- Chamfered square – easier removal of socket wrench inserts
- Offset ratchet body for more hand freedom

Packing & Sold In: Each



Item #	Description	Tip Size	Length (mm)
WR07120140	Ratchet with rotary disc reverse	1/4"	138
WR07120380		3/8"	175
WR07120120		1/2"	250

**ZEBRA 1/4 Inch Ball-Head 3-in-1 Ratchet**



- Multi-functional spherical ratchet with adjustable handle
- Drive: 6.3 - 1/4"
- Standard: DIN 3122, ISO 3315
- Head: 72 teeth, angle of rotation: 5°, joint can be rotated 270°
- Handle: Two-component handle, straight or adjustable 90° as T-handle

Packing & Sold In: Each



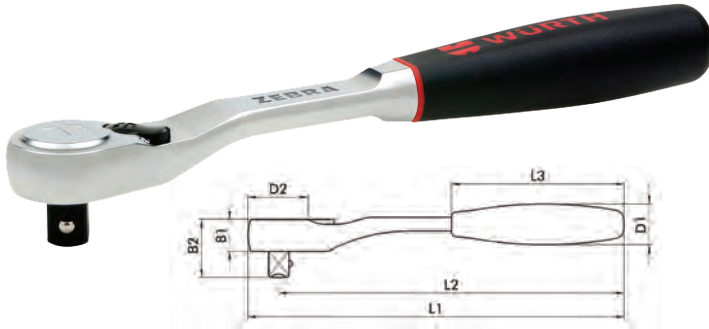
**3 in 1!**  
 Can be used like a conventional ratchet, as a screwdriver or a T-handle!

Item #	Length (mm)	Ratchet head height (mm)	Ratchet diameter (mm)
WR071201405	145	26.5	20



## RATCHETS

### ZEBRA 1/4 Inch Lever Reversible Ratchet, Dust Protected



**Dust-protected ratchet for a long service life even under difficult working conditions**

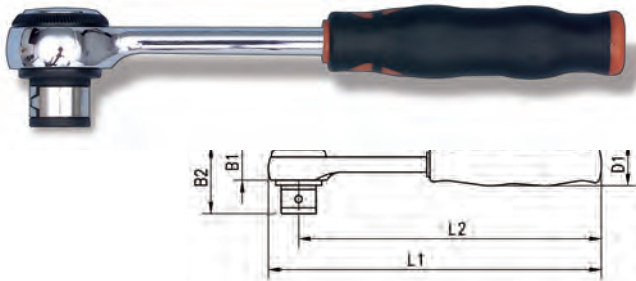


- Standard: DIN 3122, ISO 3315
- Reversing lever for clockwise and counterclockwise rotation
- Geometry: Ratchet body with depressed center for more freedom of movement
- Material: Chrome-vanadium steel
- Grip Handle Material: 2-component plastic
- With 72 teeth, 5° angle of rotation

Packing & Sold In: Each

Item #	Tip Size	L1 (mm)	L2 (mm)	L3 (mm)	B1 (mm)	B2 (mm)	D1 (mm)	D2 (mm)
WR071201403	1/4"	136	125	61	13	22	16	21
WR071203803	3/8"	177	160	79	16	29	21	29
WR071201203	1/2"	253	240	115	19	36	26	38

### ZEBRA 10 mm Ratchet Tool



**Features:**

- Head: 72 teeth, swivel angle 5°, round, compact head
- Shaft: Chrome-plated, high-grip 2-component handle



Packing & Sold In: Each

Item #	Destination	Drive	L1 mm	L2 mm	B1 mm	B2 mm	D1 mm	D2 mm	Length
WR071412100	Ratchet for 10mm bits		175	160	19	33	26	20	175mm
WR07151303	Adapter for 1/2" ratchet		-	-	-	-	-	-	37mm

### ZEBRA 1/2 Inch Jointed Handle



**Features:**

- Standard: DIN 3122, ISO 3315
- Joint: Rotatable through 180°, head can be used in any desired position
- Flexible operation even in obstructed areas
- Powerful breaking and tightening ability
- Chrome-plated



Packing & Sold In: Each

Item #	Length (mm)	Tip size (in.)	Handle diameter (mm)	Width of head (mm)
WR0712130102	490	1/2"	35	20

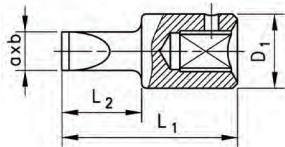
A  
B  
C  
D  
E  
F  
G  
H  
I  
J  
K  
L  
M  
N  
O  
P  
Q  
R  
S  
T  
U  
V  
W  
X  
Y

**A SOCKETS**

**ZEBRA 1/4 Inch Socket Bits**



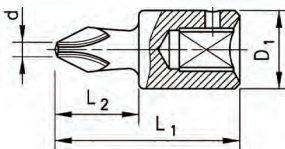
- Socket Wrench, Slotted
- Surface: Chrome-plated, polished/matte
- Drive: 1/4" square socket, ball catch groove
- Tip: DIN 5264, slotted
- Packing & Sold In: Each



Item #	(mm)	L1 (mm)	L2 (mm)	D1 (mm)
WR071511735	0.6 x 3.5	32	12	12
WR071511755	1.0 x 5.5			
WR071511765	1.2 x 6.5			
WR071511780	1.2 x 8.0			



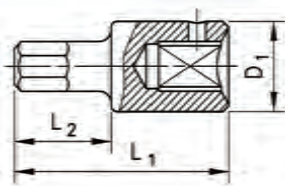
- Socket Wrench, Phillips
- Surface: Chrome-plated, polished/matte
- Drive: 1/4" square socket, ball catch groove
- Tip: ISO 8764-PH
- Packing & Sold In: Each



Item #	(mm)	L1 (mm)	L2 (mm)	D1 (mm)
WR071511801	PH 1	32	12	12
WR071511802	PH 2			
WR071511803	PH 3			



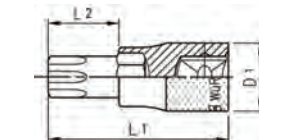
- Socket Wrench, Hexagon
- Surface: Chrome-plated, polished/matte
- Drive: 1/4" square drive, ball catch groove
- Output: For hexagon socket, DIN 7422
- Packing & Sold In: Each



Item #	mm	L1 (mm)	L2 (mm)	D1 (mm)
WR071511503	3	32	12	12
WR071511504	4			
WR071511505	5			
WR071511506	6			
WR071511507	7			
WR071511508	8			



- Socket Wrench, Torx
- Surface: Chrome-plated
- Drive: 1/4" square socket, ball catch groove
- Tip: For TX screws
- Packing & Sold In: Each

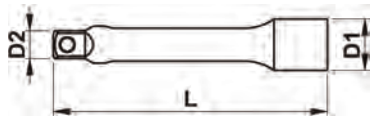


Item #	(mm)	L1 (mm)	L2 (mm)	D2 (mm)
WR071511310	2.72 10	32	12	12
WR071511315	3.26 15			
WR071511320	3.84 20			
WR071511325	4.40 25			
WR071511327	4.96 27			
WR071511330	5.49 30			
WR071511340	6.60 40			



**SOCKETS**

**ZEBRA 1/4 Inch Extension**



- Surface: Chrome-plated, polished
  - Drive: 1/4" square drive, ball catch groove
- Packing & Sold In: Each



Item #	Length (mm)	D1 (mm)	D2 (mm)
WR0713118101	25	12	8.3
WR0713118102	53		
WR0713118104	101		
WR0713118106	152		
WR0713118110	250		

**ZEBRA 1/2 Inch Angled Extension**



**Item #: WR0712138100**

- For working in hard-to-reach places
  - Standard: DIN 3123, ISO 3316
  - Surface: Chrome-plated
  - Drive: 1/2" square socket, ball catch groove
  - Tip: 1/2" square head
  - Length: 50 mm
  - Angular movement of up to 8"
  - Tip: 1/4" square head
- Packing & Sold In: Each



**ZEBRA 3/8 Inch Extension**

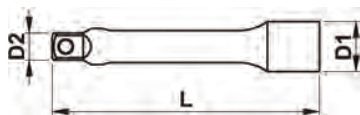


**Item #: WR0713128105**

- Standard: DIN 3123, ISO 3316
  - Surface: Chrome-plated
  - Drive: 3/8" square socket, ball catch groove
  - Tip: 3/8" square head
  - Length: 125 mm
- Packing & Sold In: Each



**ZEBRA 1/2 Inch Extension**



- Standard: DIN 3123, ISO 3316
  - Surface: Chrome-plated
  - Drive: 1/2" square socket, ball catch groove
  - Tip: 1/2" square head
- Packing & Sold In: Each

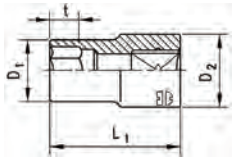


Item #	Length (mm)	D1 (mm)	D2 (mm)
WR0712138102	53	23	15
WR0712138103	75		
WR0712138105	125		
WR0712138110	250		
WR0712138118	457		17

A  
B  
C  
D  
E  
F  
G  
H  
I  
J  
K  
L  
M  
N  
O  
P  
Q  
R  
S  
T  
U  
V  
W  
X  
Y

**A SOCKETS**

**ZEBRA 1/2 Inch PowerDriv (12-Point) Socket**



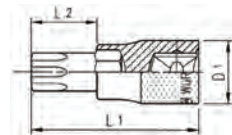
**Metric, short**

- Standard: DIN 3124, ISO 2725
- Surface: Chrome-plated, ground/matte
- Drive: 1/2" square socket, ball catch groove
- Tip: POWERDRIV®

Packing & Sold In: Each

Item #	(mm)	L1 (mm)	D1 (mm)	D2 (mm)	t (mm)	
WR0712133108	8	36	12.9	21.9	7	
WR0712133109	9		14		8	
WR0712133110	10		15.4		10	
WR0712133111	11		16.6			
WR0712133112	12		17.9		11	
WR0712133113	13		19.1			
WR0712133114	14		20.4			
WR0712133115	15		21			
WR0712133116	16		22.5		16	
WR0712133117	17		24			23.2
WR0712133118	18		25.4			23.5
WR0712133119	19		26.5		24.7	
WR0712133120	20	27.9	25.5	19		
WR0712133121	21	38	28.5		26	
WR0712133122	22		29.9		26.5	
WR0712133123	23		31.2		27.7	
WR0712133124	24		32	29		
WR0712133126	26	44	35	31.5	24	
WR0712133127	27		36	32.2		
WR0712133128	28		37.7	33.5		
WR0712133130	30		40	36		
WR0712133132	32	42	38.1	25		
WR0712133134	34	47	45.5		40	
WR0712133136	36	50	48	42	28.5	

**ZEBRA 1/2 Inch Socket Bits - Torx**



- Torx, short
- Design: Short
- Surface: Chrome-Plated
- Drive: 1/2" square socket, ball catch groove
- Tip: For TX screws

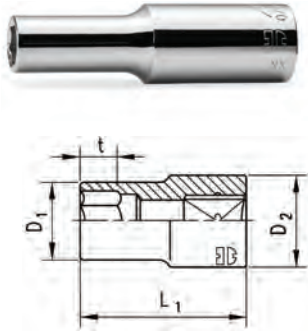
Packing & Sold In: Each

Item #	(mm)	L1 (mm)	L2 (mm)	D1 (mm)
WR071513320	20	60	20	22.5
WR071513325	25			
WR071513327	27			
WR071513330	30			
WR071513340	40			
WR071513345	45			
WR071513350	50			
WR071513355	55			
WR071513360	60			
WR071513370	70			
WR071513380	80			28
WR0715133100	100			80



**SOCKETS**

**ZEBRA 1/2 Inch PowerDriv (Hexagon) Socket**



- Metric, long
- Surface: Chrome-plated, polished/matte
- Drive: 1/2" square socket, ball catch groove
- Tip: **POWERDRIV**® (Hexagon)

Packing & Sold In: Each

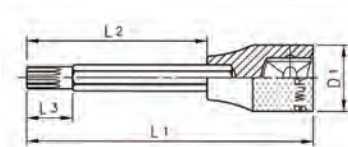
Item #	(mm)	L1 (mm)	D1 (mm)	D2 (mm)	t (mm)
WR0712132310	10	77	15.4	21.8	25.0
WR0712132311	11		16.6		
WR0712132312	12		17.9		
WR0712132313	13		19.1		
WR0712132314	14		20.4		
WR0712132315	15		21.6	21.6	35.5
WR0712132316	16		22.6	22.6	
WR0712132317	17		24.1	24.1	
WR0712132318	18		25.4	25.4	
WR0712132319	19		26.5	26.5	
WR0712132320	20		27.8	27.8	
WR0712132321	21		28.2	28.2	
WR0712132322	22		29.7	29.7	
WR0712132323	23		31.2	27.0	
WR0712132324	24		31.7		
WR0712132326	26		35.4	33.0	
WR0712132327	27		35.7		
WR0712132328	28	37.6			
WR0712132330	30	39.8	33		
WR0712132332	32	41.9	34		

**ZEBRA 1/2 Inch Torx Socket Bits, Long**



- Torx, long
- Surface: Chrome-plated
- Drive: 1/2" square socket, ball catch groove
- Tip: For TX screws

Packing & Sold In: Each

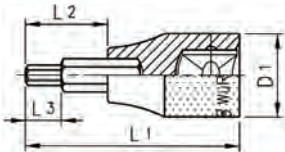


Item #	(mm)	L1 (mm)	L2 (mm)	L3 (mm)	D1 (mm)
WR071513430	30	120	80	12.5	22.5
WR071513440	40			12.5	
WR071513445	45			12.5	
WR071513450	50			12.5	
WR071513455	55	140	100	-	
WR071513460	60			12.5	
WR071513470	70			12.5	

A  
B  
C  
D  
E  
F  
G  
H  
I  
J  
K  
L  
M  
N  
O  
P  
Q  
R  
S  
T  
U  
V  
W  
X  
Y

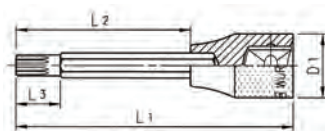
**A SOCKETS**

**ZEBRA 1/2 Inch Socket Bits**



- Hexagon
  - Surface: Chrome-plated, polished/matte
  - Drive: 1/2" square socket, all catch groove
  - DIN 7422
- Packing & Sold In: Each.

Item #	(mm)	L1 (mm)	L2 (mm)	L3 (mm)	D1 (mm)	
WR0715137040	4	60	20	6	22.5	
WR0715137051	5			7.5		
WR0715137060	6			9		
WR0715137062	6	140	100	-		
WR071513707	7	60	20			10.5
WR0715137080	8					
WR0715137082	8	140	100			
WR0715137100	10	60	20			
WR0715137102	10	140	100			
WR0715137120	12	60	20			
WR0715137122	12	140	100			
WR071513714	14	60	20		25	
WR071513717	17					28

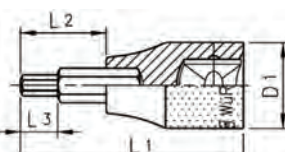


- 12-Point, Short
  - Surface: Chrome-plated
  - Drive: 1/2" square socket, ball catch groove
- Packing & Sold In: Each



Item #	(mm)	L1 (mm)	L2 (mm)	L3 (mm)	D1 (mm)	
WR071513805	5	60	20	4	22.5	
WR071513806	6			5		
WR071513808	8			6		
WR0715138081	8	100	60			
WR071513810	10	60	20			
WR0715138101	10	100	60			
WR0715138121	12					
WR071513814	14	60	20			25
WR0715138160	16					

**ZEBRA 1/2 Inch Hexagon Socket Bit, Short**

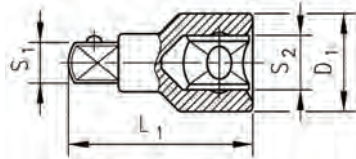


- Standard
  - Surface: Chrome-plated, polished/matte
  - Drive: 1/2" square socket, ball catch groove
- Packing & Sold In: Each

Item #	(in.)	L1 (mm)	L2 (mm)	L3 (mm)	D1 (mm)
WR071513751	7/32	60	20	8.34	22.5
WR071513752	1/4			9.53	
WR071513754	3/8			-	
WR071513756	1/2				

**SOCKETS**

**ZEBRA Step-Down/Up Sockets**



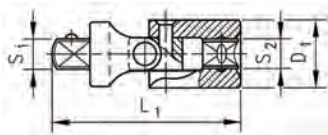
- Standard: DIN 3123, ISO 3316
  - Surface: Chrome-plated, polished
  - Material: Steel
- Packing & Sold In: Each

Item #	S2 (in)	S1 (in)	L1 (mm)	D1 (mm)
WR0713118401	1/4"	3/8"	24	12.5
WR0713128401	3/8"	1/4"	27	17
WR0713128402		1/2"	36	20
WR0712138401	1/2"	3/8"	38	23
WR0712138402		3/4"	44	25
WR071514108	3/4"	1/2"	53.5	34

**Zebra Universal Joints**



- Surface: Chrome-plated, polished
  - Remains in specified position
- Packing & Sold In: Each



Item #	S2 (in)	S1 (in)	L1 (mm)	D1 (mm)
WR0713118301	1/4"	1/4"	33	14
WR0713128301	3/8"	3/8"	55	17.5
WR0712138301	1/2"	1/2"	70	25



A  
B  
C  
D  
E  
F  
G  
H  
I  
J  
K  
L  
M  
N  
O  
P  
Q  
R  
S  
T  
U  
V  
W  
X  
Y

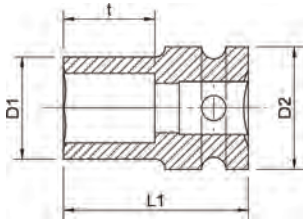
**A SOCKETS**

**1/2 Inch Impact Sockets**



- Metric, short
- For use with electric or pneumatic screwdrivers and impact tools
- Standard: DIN 3129, DIN 3121/ISO 1174
- Design: Forged, burnished
- Drive: Square socket 1/2"
- Tip: Hexagon

Packing & Sold In: Each

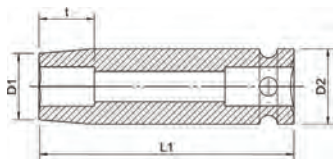


Item #	(mm)	L1 (mm)	D1 (mm)	D2 (mm)	t (mm)
WR07141302	9.5	38	17	25	12
WR07141303	10		20		10
WR07141304	12				
WR07141305	13		21	12	
WR07141306	14		22.5		
WR07141307	15		23	30	13.5
WR071413071	16	25	12		
WR07141308	17	26	12.5		
WR071413081	18	27.3	13.5		
WR07141309	19	28.5	15		
WR071413091	21	30	14		
WR07141310	22	32	14.5		
WR07141311	24	34	17		
WR07141312	27	42	38		20
WR07141330	30		42		19
WR07141332	32	44	44	20	
WR07141334	34		46	21.5	
WR07141336	36		48	49	18.5



- Metric, long
- For use with electric or pneumatic screwdrivers and impact tools
- Standard: DIN 3129, DIN 3121/ISO 1174
- Design: Forged, burnished
- Drive: Square socket 1/2"
- Tip: Hexagon

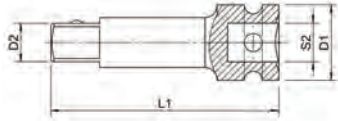
Packing & Sold In: Each



Item #	(mm)	L1 (mm)	D1 (mm)	D2 (mm)	t (mm)	
WR07141313	13	78	20.5	25	17	
WR071413131	16		24			
WR07141314	17			26		
WR071413142	18		27.3			
WR07141315	19			28		30
WR071413151	21		30			
WR07141316	22		32			
WR07141317	24		34			
WR07141318	27		38	30		

**SOCKETS**

**1/2 Inch Impact Extensions**

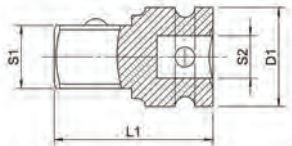


- For use with electric or pneumatic screwdrivers and impact tools
- Standard: DIN 3121/ISO 1174
- Design: Forged, burnished
- Drive: Square socket 1/2"
- Tip: External square drive 1/2", with ball lock

Packing & Sold In: Each

Item #	S2 (in)	L1 (mm)	D1 (mm)	D2 (in)
WR07141322	1/2"	75	25	1/2"
WR07141323	1/2"	150		1/2"

**Impact Step-Up Socket - 1/2 Inch to 3/4 Inch**

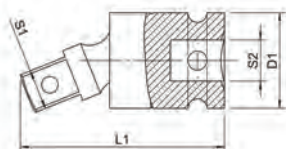


- For all electrical or compressed air-driven screwdrivers and impact tools
- Drop-forged steel guarantees high breaking and wear resistance
- Standard: DIN 3121/ISO 1174
- Design: Forged, burnished
- Drive: 1/2" square socket
- Tip: 3/4" square head

Packing & Sold In: Each

Item #	S2 (in)	S1 (in)	L1 (mm)	D1 (mm)
WR07141328	1/2"	3/4"	48	30

**1/2 Inch Impact Universal Joint**



- For use with electric or pneumatic screwdrivers and impact tools
- Standard: DIN 3121/ISO 1174
- Design: Forged, burnished
- Drive: square socket 1/2"
- Tip: External square drive 1/2", with ball lock

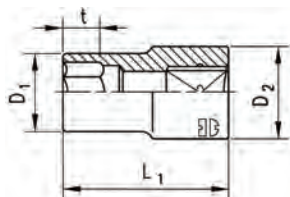
Packing & Sold In: Each

Item #	S2 (in)	S1 (in)	L1 (mm)	D1 (mm)
WR0714138351	1/2"	1/2"	63	30

A  
B  
C  
D  
E  
F  
G  
H  
I  
J  
K  
L  
M  
N  
O  
P  
Q  
R  
S  
T  
U  
V  
W  
X  
Y

**A SOCKETS**

**B ZEBRA 1/4 Inch Multi-Sockets**



- 12-Point
  - Surface: Chrome-plated, polished
  - Drive: 1/4" square socket
  - Tip: 12-point
- Packing & Sold In: Each

Item #	Multi-profile (mm)	Possible Uses				L1 (mm)	D1 (mm)	D2 (mm)	t (mm)
		Hexagon/ Bi-hexagon (mm)	Hexagon (in.)	TX Head TX	Square (mm)				
WR071311304	4	Size 4	5/32"	E 5	-	22	6.8	11.9	5
WR071311305	5	Size 5	-	-	Size 4		8.1		
WR0713113055	5.5	Size 5.5	7/32"	-	Size 4.5		8.7		
WR071311306	6	Size 6	-	E 8	Size 5		9.3	6	
WR071311307	7	Size 7	9/32"	-	-		10.8		
WR071311308	8	Size 8	5/16"	E 10	-		11.9	7	
WR071311309	9	Size 9	11/32"	-	-		13.4		13.4
WR071311310	10	Size 10	3/8"	E 12	Size 8		14.5	14.5	10
WR071311311	11	Size 11	7/16"	E 14	Size 9		15.9	15.9	
WR071311312	12	Size 12	15/32"	E 16	Size 10		16.9	16.9	11
WR071311313	13	Size 13	1/2"	-	-		18.0	18.0	
WR071311314	14	Size 14	9/16"	E 18	-		19.6	19.6	

**SOCKETS**

**ZEBRA 1/4 Inch Multi-Socket Assortment (32 Pieces)**



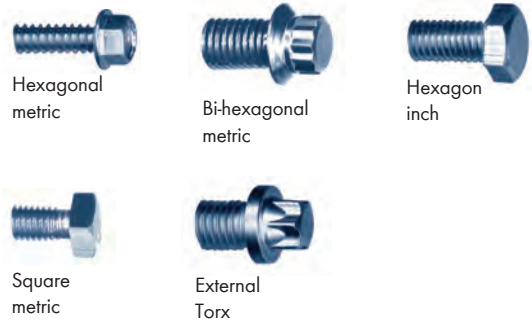
Item # **WR096511032** 32 piece set

The multiple profile is suitable for the five most common screw heads (hexagon metric, square metric, bi-hex metric, hexagon inch, TX head)

- Supplied in a metal box with high-quality foam insert compartment with clamping effect
- 12 sockets
- 14 1/4" bits

Packing & Sold In: Each

**Includes:**



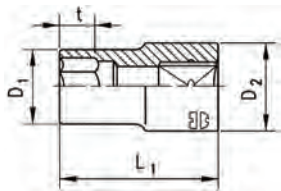
Item #	Description	Drive	Length
WR0713118301	Universal Joint	☐	33 mm
WR0613430311	Screwdriver handle		216 mm
WR07151101	Adapter with quick change chuck	⊗	30 mm
WR071311304 Thru WR071311314	12 multi-use sockets, one each sizes 4-14	⊗	22 mm
WR0614176461	Bit PH 2	+	25 mm
WR061417693	Bit hex, socket size 3	⊗	
WR061417694	Bit hex, socket size 4		
WR061417696	Bit hex, socket size 6		
WR06143110	TX 10	⊗	Sold in multiple of 5 each 25 mm
Only available in set	TX 15		
WR06143120	TX 20		
WR06143125	TX 25		
WR06143127	TX 27		
WR06143130	TX 30		
WR06143140	TX 40		



A  
B  
C  
D  
E  
F  
G  
H  
I  
J  
K  
L  
M  
N  
O  
P  
Q  
R  
S  
T  
U  
V  
W  
X  
Y

**A SOCKETS**

**ZEBRA 1/4 Inch Multi-Sockets**



- 12-Point
  - Surface: chrome-plated, polished
  - Drive: 3/8" square socket
  - Tip: 12-Point
- Packing & Sold In: Each

Item #	Multi-profile (mm)	Possible Uses				L1 (mm)	D1 (mm)	D2 (mm)	t (mm)
		6-sd./12-sd. (mm)	6-sided (in.)	Outer TX TX	4-sided (mm)				
WR071312306	6	6 mm	-	E8	5 mm	25.5	9.3	17	7
WR0713123063	6.3	6.3 mm	1/4"	-	-		9.9		
WR071312307	7	7 mm	9/32"	-	-		10.9		
WR071312308	8	8 mm	5/16"	E10	-		11.8		
WR071312309	9	9 mm	11/32"	-	-		13.4		
WR071312310	10	10 mm	3/8"	E12	8 mm		14.6		
WR071312311	11	11 mm	7/16"	E14	9 mm		15.9		
WR071312312	12	12 mm	15/32"	E16	10 mm		17		
WR071312313	13	13 mm	1/2"	-	-		18.4		
WR071312314	14	14 mm	9/16"	E18	-		19.6		18
WR071312315	15	15 mm	19/32"	-	12 mm	20.9	19		
WR071312316	16	16 mm	5/8"	E20	13 mm	22	20		
WR071312317	17	17 mm	-	-	14 mm	23.4	21		
WR071312318	18	18 mm	-	E22	-	24.5	21.5		
WR071312319	19	19 mm	3/4"	E24	-	25.6	22.5		
WR071312320	20	20 mm	25/32"	-	16 mm	26.8	23.5	14	
WR071312321	21	21 mm	13/16"	E26	17 mm	27.9	24.5		
WR071312322	22	22 mm	7/8"	E28	18 mm	29.6	26		

**ZEBRA 3/8 Inch Multi-Socket Assortment (22 Pieces)**



Item # WR096512022 22 piece set

**Newly developed multi-purpose profile fitting the 5 most common screw heads**

- Hexagon metric, square metric, bi-hexagon metric, hexagon inch and external Torx
- Geometry: Short
- Supplied in a metal box with high-quality foam insert compartment
- High-quality multi-use socket bits guarantee a long service life
- Chrome-plated and polished
- Bit: 12-sided, multi-profile



Hexagonal metric    Bi-hexagonal metric    Hexagon inch    Square metric    External Torx



**SOCKETS**

**ZEBRA Step-Up And Step-Down Socket Assortment (8 Pieces)**



Item # WR09651280 8 piece set

**Combined adapter assortment with most common socket wrench and bit adapters**

**Socket Wrench Adapters** (1 each)  
 3/4" - 1/2", 1/2" - 3/4", 1/2" - 3/8",  
 3/8" - 1/4", 1/4" - 3/8", 3/8" - 1/2"

**Bit Adapters**  
 1/4" - 1/4", 3/8" - 5/16"

**ZEBRA 1/2 Inch Torx, Multi-Point, and Allen Socket Assortment (31 Pieces)**



Item # WR096513310 31 piece set

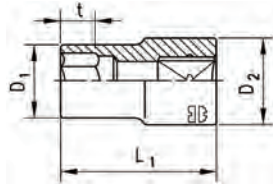
**Complete 1/2" assortment with short and long Allen, inner TX and multi-point sockets. Contents especially matched to automotive and cargo applications**

- Metal box 350 x 260 x 55 mm (13-3/4" x 10-1/4" x 2-3/16")
- 8 TX socket wrenches, short version TX 25, 27, 30, 40, 45, 50, 55, 60
- 4 TX socket wrenches, long version TX 30, 40, 50, 60
- 4 Multi-point socket wrenches, short version M 5, 6, 8, 10
- 3 Multi-point socket wrenches, long version M 8, 10, 12
- 8 Allen socket wrenches, short version 5, 6, 7, 8, 10, 12, 14, 17 mm
- 4 Allen socket wrenches, long version 6, 8, 10, 12 mm



**A SOCKETS**

**ZEBRA 1/2 Inch Multi-Sockets**



- 12-Point, Multi-profile for the five most common screw head drives
  - Surface: Chrome-plated, polished
  - Drive: 1/2" square socket
  - Tip: 12-point, multi-profile
- Packing & Sold In: Each

Item #	Multi-profile (mm)	Possible Uses				L1 (mm)	D1 (mm)	D2 (mm)	t (mm)
		6-pt./12-pt. (mm)	6-pt. (in.)	Outer TX TX	4-pt. (mm)				
WR071213410	10	10	3/8"	E 12	8	36	15.5	23.0	9
WR071213411	11	11	7/16"	E 14	9		16.7		10
WR071213412	12	12	15/32"	E 16	10		18.0		11
WR071213413	13	13	1/2"	-	-		19.2		13
WR071213414	14	14	9/16"	E 18	-		20.5		
WR071213415	15	15	19/32"	-	12		21.7		
WR071213416	16	16	5/8"	E 20	13		23.0		14
WR071213417	17	17	-	-	14		24.2		
WR071213418	18	18	-	E 22	-		25.5		23.5
WR071213419	19	19	3/4"	E 24	-		26.7		24.7
WR071213420	20	20	25/32"	-	16	28.0	25.5	14	
WR071213421	21	21	13/16"	E 26	17	38	29.2	26.0	16
WR071213422	22	22	7/8"	E 28	18		30.5	26.5	
WR071213424	24	24	15/16"	E 30	19		33.0	29.0	18
WR071213426	26	26	-	E 32	21	35.5	31.5	20	
WR071213427	27	27	1 1/16"	E 34	22	36.7	32.2		
WR071213428	28	28	1 1/8"	E 36	23	38.0	33.5		
WR071213430	30	30	1 3/16"	E 38	24	44	40.5	36.0	22
WR071213432	32	32	1 1/4"	E 40	26		43.0	38.1	24

**ZEBRA 1/2 Inch Standard Hexagon Socket Assortment (21 Pieces)**



Item # WR09651321 21 piece set

- 1 ratchet
- 1 125mm extension
- 1 250mm extension
- 1 universal joint
- 17 Socket Wrench Inserts Sizes
- 3/8", 7/16", 1/2", 9/16", 19/32", 5/8", 11/16", 3/4", 25/32", 13/16", 7/8", 15/16", 1-1/16", 1-1/8", 1-3/16", 1-1/4"

**SOCKETS**

**ZEBRA 1/2 Inch Multi-Socket Assortment (23 Pieces)**



**Item # WR096513023 23 piece set**

- Supplied in a metal box and a high-quality foam insert to hold each piece in place
- Box: 405 x 160 x 50 mm (approx.: 16" x 6-5/16" x 2")



Designation	Tip	Length	Item #
19 multi-sockets, 1 ea., 10-32 mm		36 - 44 mm	See table below for details

Item #	Designation	Tip	Length
WR07120120	Ratchet		250 mm
WR0712138105	Extension Bar		125 mm
WR0712138110	Extension Bar		250 mm
WR0712138301	Universal Joint		70 mm

**1/2" Universal Joint**

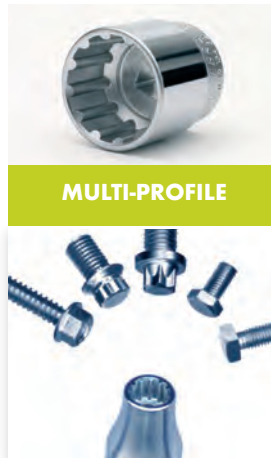
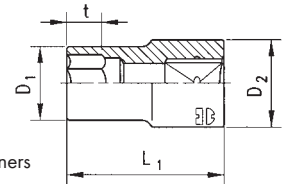
Standard: DIN 3123, ISO 3316  
 Finish: Chrome-plated  
 Input drive: 1/2", ball groove  
 Output drive: 1/2"  
 Joint: Spring-loaded,  
 stays in set position

**1/2" Extension Bars**

Standard: DIN 3123, ISO 3316  
 Finish: chrome-plated  
 Input drive: 1/2" ball groove  
 Output drive: 1/2"

**1/2" High-Performance Ratchet**

- Easy handling and maximum service life
- Drive: 12.5mm / 1/2"
- Standard, DIN 3122, ISO 3315
- Head: Fine-toothed, 72 teeth, 5° rotating angle
- Chrome-plated with anti-slip 2-component handle resistant to general workplace oils and cleaners
- Top quality, tested by German TÜV SÜD product service
- Handy directional switch for easy switching, even with oily fingers; can be operated with one hand
- Chamfer on square enables easier pull-off as better gripping is possible
- Offset ratchet body enables more clearance for gripping with screw connections



**MULTI-PROFILE**

Suitable for the five most common screw head drives:

- Hexagon** metric
- Square** metric
- Bi-hexagon** metric
- Hexagon** standard
- TX** head

Includes:	Multi-profile	Possible uses					Note: This is a metric set. Standard sizes are only approximate equivalencies and may not work in all applications!				
		6/12 sided/12		6 sided		Outside Torx	4 Sided	L1	D1	D2	t
Item #								in mm	in mm	in mm	in mm
WR071213410	10	10	1/4"	3/8"	E12	8 mm	36	15.5	23	13	9
WR071213411	11	11	1/4"	7/16"	E14	9 mm		16.7			10
WR071213412	12	12	-	15/32"	E16	10 mm		18			11
WR071213413	13	13	5/16"	1/2"	-	-		19.2			11
WR071213414	14	14	3/8"	9/16"	E18	-		20.5			13
WR071213415	15	15	-	19/32"	-	12 mm		21.7			13
WR071213416	16	16	7/16"	5/8"	E20	13 mm		23			13
WR071213417	17	17	-	-	-	14 mm		24.2			23.2
WR071213418	18	18	-	-	E22	-		25.5			23.5
WR071213419	19	19	1/2"	"	E24	-		26.7			24.7
WR071213420	20	20	-	25/32"	-	16 mm	28	25.5	16		
WR071213421	21	21	9/16"	13/16"	E26	17 mm	38	29.2	26	18	
WR071213422	22	22	-	7/8"	E28	18 mm		30.5	26.5		
WR071213424	24	24	5/8"	15/16"	E30	19 mm	44	33	29	20	
WR071213426	26	26	-	-	E32	21 mm		35.5	31.5		
WR071213427	27	27	-	1-1/16"	E34	22 mm		36.7	32.2		
WR071213428	28	28	3/4"	1-1/8"	E36	23 mm	44	38	33.5	22	
WR071213430	30	30	-	1-3/16"	E38	24 mm		40.5	36		
WR071213432	32	32	-	-	E40	26 mm		43	38.1		24

**A RATCHET / SOCKET ASSORTMENT**

**ZEBRA Pass-Through Reversible Ratchet Assortment (14 Pieces)**

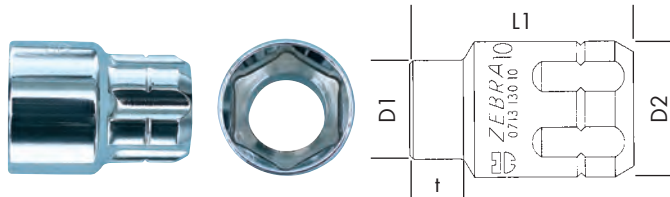


**Item # WR07131300 14 piece set**

- Low-profile allows for access to narrow spaces
- Pass-through feature makes this set ideal for fastening hardware to long bolts and threaded rods
- Included socket adapters (1/4" & 3/8") can be used with any standard wrench
- Includes high-quality metal box for storage and transportation

**Sockets**

Bit: Hexagon, metric, POWERDRIV®  
Model: Chrome-plated, polished



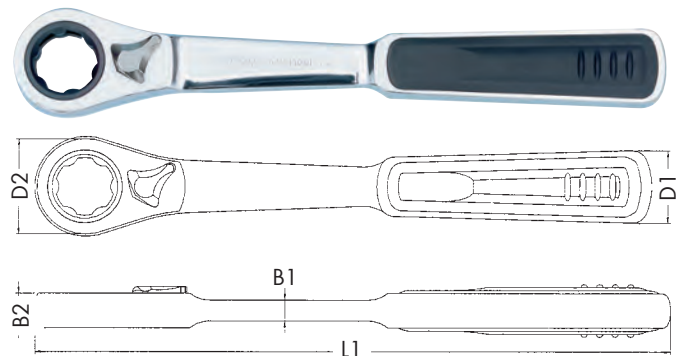
**Includes:**

Item #		L1 mm	t mm	D1 mm	D2 mm
	in mm				
WR071313010	10	32	7	14.7	19.5
WR071313011	11			15.4	
WR071313012	12			16.6	
WR071313013	13		8.5	17.7	
WR071313014	14		9.5	18.9	
WR071313015	15		11.5	20.1	
WR071313016	16		12	21.2	
WR071313017	17		22.4		
WR071313018	18		23.6		
WR071313019	19	24.8			

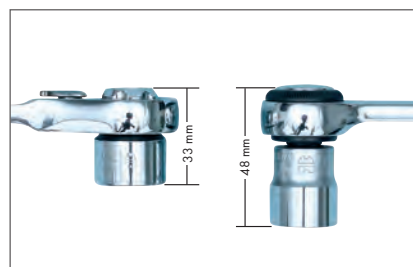
Item #	Designation	Length in mm
WR071313001	Ratchet	205
WR071313002	Extension	76
WR071313003	Adapter 1/4"	26
WR071313004	Adapter 3/8"	30
See table below for details	10 sockets, 10-19 mm	32

**Ratchet**

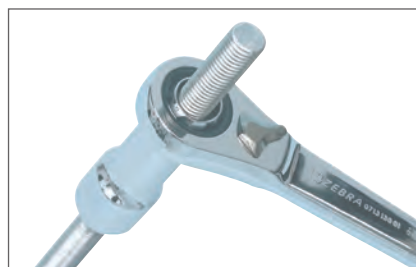
Head: 72 teeth, 5° rotating angle, round, compact head, one-hand operation with reversing lever for clockwise and counter-clockwise operation  
Model: Chrome-plated, polished, very slim design



Item #	L1 mm	B1 mm	B2 mm	D1 mm	D2 mm
WR071313001	205	7	11.5	24.7	32.5



Low height of the through-ratchet as compared to the standard ratchet



Thanks to the through-hole, long bolts and threaded rods can be processed



Through-ratchet with adapter ejector enables an easy removal of the socket spanner

**RATCHET / SOCKET ASSORTMENT**

**ZEBRA 1/4 Inch Socket Wrench Assortment**



Item # **WR0965900001** 33 piece set

**33 pcs, with drive tool**

**Contents:**

- Hexagon socket wrench inserts: SW 4; 5; 5.5; 6; 7; 8; 9; 10; 11; 12; 13; 14
- 100 and 150 mm extension
- Universal joint
- Adapter with quick-change chuck
- 1/4 inch Ratchet
- ZEBRA handle
- 3 bits: PH1; PH2; PH3
- 1 bit slotted 0.8 x 5.5mm
- 7 bits TX: TX10; 15; 20; 25; 27; 30; 40mm
- 4 hexagon bits, sizes 3, 4, 5, 6
- Foam insert

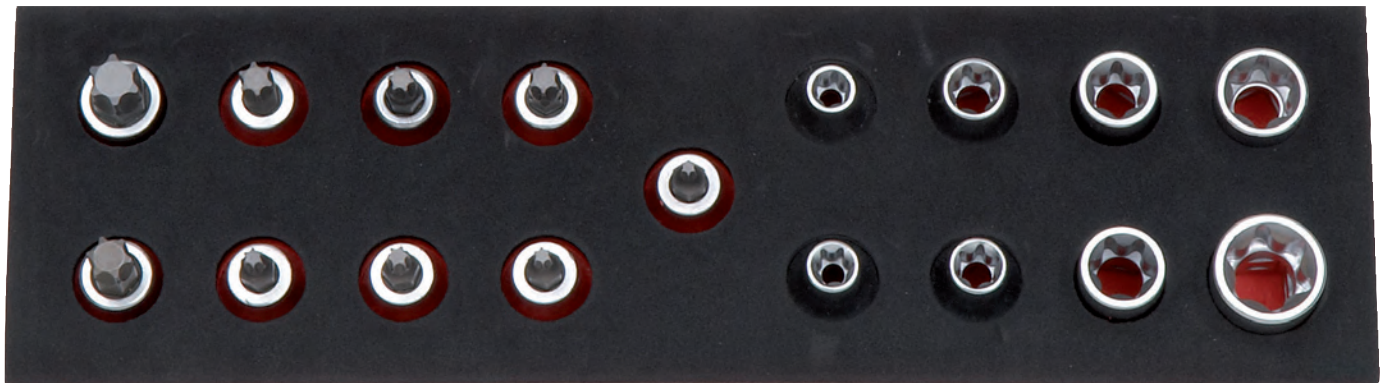
**ZEBRA 1/2 Inch Socket Wrench Assortment**



Item # **WR0965900201** 17 piece set

**17 Pieces**

- Inner TX  
TX 20, TX 25, TX 27, TX 30, TX 40,  
TX 45, TX 50, TX 55, TX 60.
- Outer TX  
E 10, E 11, E 12, E 14, E 16, E 18,  
E 20, E 24
- Foam insert



A  
B  
C  
D  
E  
F  
G  
H  
I  
J  
K  
L  
M  
N  
O  
P  
Q  
R  
S  
T  
U  
V  
W  
X  
Y

**A PLIERS / CUTTERS**

**ZEBRA Combination Pliers**



- 2K grip for gripping, holding and cutting hard and soft wires and cables
  - DIN ISO 5746
  - High-quality steel construction ensures long tool life and precision of gripping and cutting surfaces
  - Extra-long blade also suitable for thicker cables
  - Ergonomic and slip-free 2K comfort handle with narrow collar profile for comfortable working and optimum force transfer
  - Inductively hardened precision blades
  - Burner hole for gripping round materials
  - Surface: Entirely ground and chrome-plated
  - Joint: Lap joint
- Packing & Sold In: Each



**THE HANDLE IS CRITICAL**

Optimal power distribution – Comfortable grip without pressure points thanks to special handle geometry



Slim collar shape - for optimal accessibility in tight work areas

Item #	Length (in.)	Length (mm)	Medium-hard wire	Hard wire	Copper and aluminum cable	
WR071401554	6 - 1/2"	170	3.1 mm diameter	2.0 mm diameter	10.0 mm diameter	16 mm <sup>2</sup>
WR071401555	7"	180	3.4 mm diameter	2.2 mm diameter	12.0 mm diameter	
WR071401556	8"	200	3.8 mm diameter	2.5 mm diameter	13.0 mm diameter	



A  
B  
C  
D  
E  
F  
G  
H  
I  
J  
K  
L  
M  
N  
O  
P  
Q  
R  
S  
T  
U  
V  
W  
X  
Y

**PLIERS / CUTTERS**

**ZEBRA Wire Stripping Pliers**



- 2K grip, precise, effortless stripping of cables and wires with plastic or rubber insulation
- High-quality steel construction
- Long service life and precision of cutting surfaces
- For single, multi and fine-wire conductors
- Opening spring opens pliers automatically
- Ergonomic and non-slip 2K comfort handle with narrow collar profile
- Comfortable working and optimum power transmission
- Adjustment screw can be fixed in place with knurled nut
- Surface: Entirely ground and chrome-plated
- Joint: Lap joint

Item #	Length (in)	Length (mm)	Diameter (mm)	(mm) <sup>2</sup>
WR071401550	6-1/4"	160	5	10

Packing & Sold In: Each

**ZEBRA Water Pump Pliers**



- 2K grip, self-locking water pump pliers with push-button adjustment
- DIN ISO 8976
- Rapid and convenient fine adjustment at the push of a button
- Hardened precision teeth
- High wear resistance and secure grip
- Ergonomic and non-slip 2K comfort handle with narrow collar profile
- Comfortable working and optimum power transmission
- Huge gripping capacity with slim design

Item #	Length (in)	Length (mm)	Min./Max. Grip Range
WR071401563	10"	250	16 - 46 mm

Packing & Sold In: Each



**With  
PUSH BUTTON ADJUSTMENT  
and hardened precision teeth**

A  
B  
C  
D  
E  
F  
G  
H  
I  
J  
K  
L  
M  
N  
O  
P  
Q  
R  
S  
T  
U  
V  
W  
X  
Y

**A PLIERS / CUTTERS**

**ZEBRA Needle Nose Pliers**



- 2K grip for gripping, holding and cutting soft and hard wires and cables
  - DIN ISO 5745
  - High-quality steel construction ensures long tool life and precision of gripping and cutting surfaces
  - Elastic tips for high stresses, especially under bending forces
  - Ergonomic and slip-free 2K comfort handle with narrow collar profile for comfortable working and optimum force transfer
  - Blades: Additional inductive hardening
  - Surface: Entirely ground and chrome-plated
  - Gripping surfaces: Toothed
  - Joint: Lap joint
- Packing & Sold In: Each

Item #	Length (in)	Length (mm)	Tip Geometry	Jaw shape	L3 (mm)	W3 (mm)	T1 (mm)	W4 (mm)	T2 (mm)
WR071401557	8-1/4"	210			76	17.5	9.5	4	3
WR071401558				40°	72				
WR071401559	6-1/4"	160			50	16.5	9	3	2.5
WR071401562				40°	46				

**ZEBRA Side Cutters**



Milled precision cutting edge saves strength and gives a clean cut!

- 2K grip for cutting hard and soft wires and cables, including in hard-to-reach places
  - DIN ISO 5749
  - High-quality tool steel ensures long service life and precision of blades
  - Slim head shape for optimum accessibility
  - Ergonomic and slip-free 2K comfort handle with narrow collar profile for comfortable working and optimum force transfer
  - Inductively hardened precision blades
  - Surface entirely ground and chrome-plated
  - Lap joint
- Packing & Sold In: Each

Item #	Length (in.)	Length (mm)	Soft wire	Medium-hard wire	Hard wire
WR071401566	5 - 1/2"	140	4.0 mm diameter	2.5 mm diameter	1.8 mm diameter
WR071401567	6 - 1/4"	160		2.8 mm diameter	2.0 mm diameter
WR071401568	7"	180		3.0 mm diameter	2.5 mm diameter



**PLIERS / CUTTERS**

**ZEBRA Power Side Cutters**



- 2K grip for cutting piano wire, hard and soft wire
- DIN ISO 5749
- Strength-saving. Milled precision cutting edge for clean cuts
- High-quality steel ensures long service life and precision of blades
- Ergonomic and slip-free 2K comfort grip handle with narrow collar profile for comfortable working and optimum force transfer
- Inductively hardened precision blades
- Surface: Ground and chrome-plated
- Joint: Lap joint, forged-on rivets

Packing & Sold In: Each

Item #	Length (in.)	Length (mm)	Soft wire	Medium-hard wire	Hard wire	Piano wire
WR071401551	5 - 1/2"	140	4.0 mm diameter	3.1 mm diameter	2.0 mm diameter	1.5 mm diameter
WR071401552	6 - 1/4"	160		3.4 mm diameter	2.5 mm diameter	2.0 mm diameter
WR071401553	7"	180		3.8 mm diameter	2.7 mm diameter	2.2 mm diameter
WR071401598	8"	200	4.5 mm diameter	4.2 mm diameter	3.0 mm diameter	2.5 mm diameter

**ZEBRA Heavy-Duty Side Cutters, Reversible**



- 2 tools in one: Side cutters with connectible lever transmission
- High cutting power cuts thick cables
- Avoids hard cutting impact found with conventional side cutters
- Precision cutting ensures a long service life
- Manufactured from high-grade steel
- Safe handling
- Ergonomic 2K plastic handle with non-slip surface
- Surface: Chrome-plated
- Joint: Launched

Packing & Sold In: Each



By pressing the power button, you get twice the cutting power!

**2 in 1!**

Side cutters with connectible lever transmission

Item #	Length (in.)	Length (mm)	Soft wire	Medium-hard wire	Hard wire	Piano wire
WR071401599	8"	200	5 mm diameter	4.5 mm diameter	3.5 mm diameter	3 mm diameter

A  
B  
C  
D  
E  
F  
G  
H  
I  
J  
K  
L  
M  
N  
O  
P  
Q  
R  
S  
T  
U  
V  
W  
X  
Y

**A PLIERS / CUTTERS**

**ZEBRA Pliers and Cutters Sets**



**Item # WR071401560 4 piece set**

- 2K grip, set of one of each combination pliers, wire stripping pliers, needle nose pliers, and power side cutters
- High-quality steel construction ensures long service life and precision of gripping and cutting surfaces
- Combination pliers with extra-long blade also suitable for thicker cables
- Wire stripping pliers with opening spring for automatic opening
- Needle nose pliers with tips for high bending stresses
- Heavy-duty side cutters for piano wire, hard and soft wire
- Ergonomic and slip-free 2K comfort handle with narrow collar profile for comfortable working and optimum force transfer

**Includes:**

Item #	Contents	Length (in)	Length (mm)
WR071401555	Zebra Combination Pliers	7"	180
WR071401550	Zebra Wire Stripping Pliers	6-1/4"	160
WR071401557	Zebra Needle Nose Pliers	8-1/4"	210
WR071401552	Zebra Power Side Cutters	6-1/4"	160



**Item # WR071401565 4 piece set**



- 2K grip, set of one of each combination pliers, water pump pliers, needle nose pliers, and power side cutters
- High-quality steel construction ensures long service life and precision of gripping and cutting surfaces
- Combination pliers with extra-long blade also suitable for thicker cables
- Water pump pliers with convenient quick adjustment
- Needle nose pliers with tips for high bending stresses
- Heavy-duty side cutters for piano wire, hard and soft wire
- Ergonomic and slip-free 2K comfort handle with narrow collar profile for comfortable working and optimum force transfer

**Includes:**

Item #	Contents	Length (in)	Length (mm)
WR071401555	Zebra Combination Pliers	7"	180
WR071401563	Zebra Water Pump Pliers	10"	250
WR071401557	Zebra Needle Nose Pliers	8-1/4"	210
WR071401552	Zebra Power Side Cutters	6-1/4"	160

**PLIERS / CUTTERS**

**ZEBRA Pliers Assortment**



Item # WR0965900600 4 piece set

- 2K Grip
- 4 piece set of 2K grip pliers
- Foam drawer insert and cutters

Includes:

Item #	Contents	Length (in)	Length (mm)
WR071401555	Zebra Combination Pliers	7"	180
WR071401563	Zebra Water Pump Pliers	10"	250
WR071401557	Zebra Needle Nose Pliers	8-1/4"	210
WR071401552	Zebra Power Side Cutters	6-1/4"	160



Side cutters:  
160 mm

Combination pliers:  
180 mm



Water pump pliers:  
250 mm

Needle nose pliers:  
210 mm

**THE HANDLE IS CRITICAL**

Optimal power distribution – Comfortable grip without pressure points thanks to special handle geometry



A  
B  
C  
D  
E  
F  
G  
H  
I  
J  
K  
L  
M  
N  
O  
P  
Q  
R  
S  
T  
U  
V  
W  
X  
Y

**A PLIERS / CUTTERS**

**Circlip Pliers Form A/B**



A



B

- For shaft locking rings
- Standard: DIN 5254
- Handle: Plastic-coated
- Guarantees a secure grip, prevents slippage
- Compressed Spring Steel Tip
- Optimized stability for use with tight fitting and seized rings
- Inserted Tips
- Offers maximum strength when loosening tight-fitting/seized rings and allows rings to be installed with minimal distortion
- Screwed and Mounted Joint
- High precision and optimized movement
- Large Contact Surfaces
- Rings mounted with minimal torsion
- Pliers Head
- Slim design for optimum access to work piece, especially in hard-to-reach areas
- Internal Spring
- Lies protected in the internal joint

Packing & Sold In: Each

Item #	Length (mm)		Min./Max. grip range	Tenon diameter (mm)	Jaws length (mm)	Hook length (mm)
WR07140211	140	A Straight	3 - 10	0.9	39	-
WR07140212			10 - 25	1.25	38	
WR07140213	180		19 - 60	1.8	56	
WR07140214	225		40 - 100	2.25	70	
WR07140215	320		85 - 140	3.2	92	
WR07140216	130	B 90°	3 - 10	0.9	27	12
WR07140217			10 - 25	1.25		
WR07140218	165		19 - 60	1.8	40	15
WR07140219	210		40 - 100	2.25	55	16
WR07140220	305		85 - 140	3.2	73	20

**Circlip Pliers Form C/D**



C



D

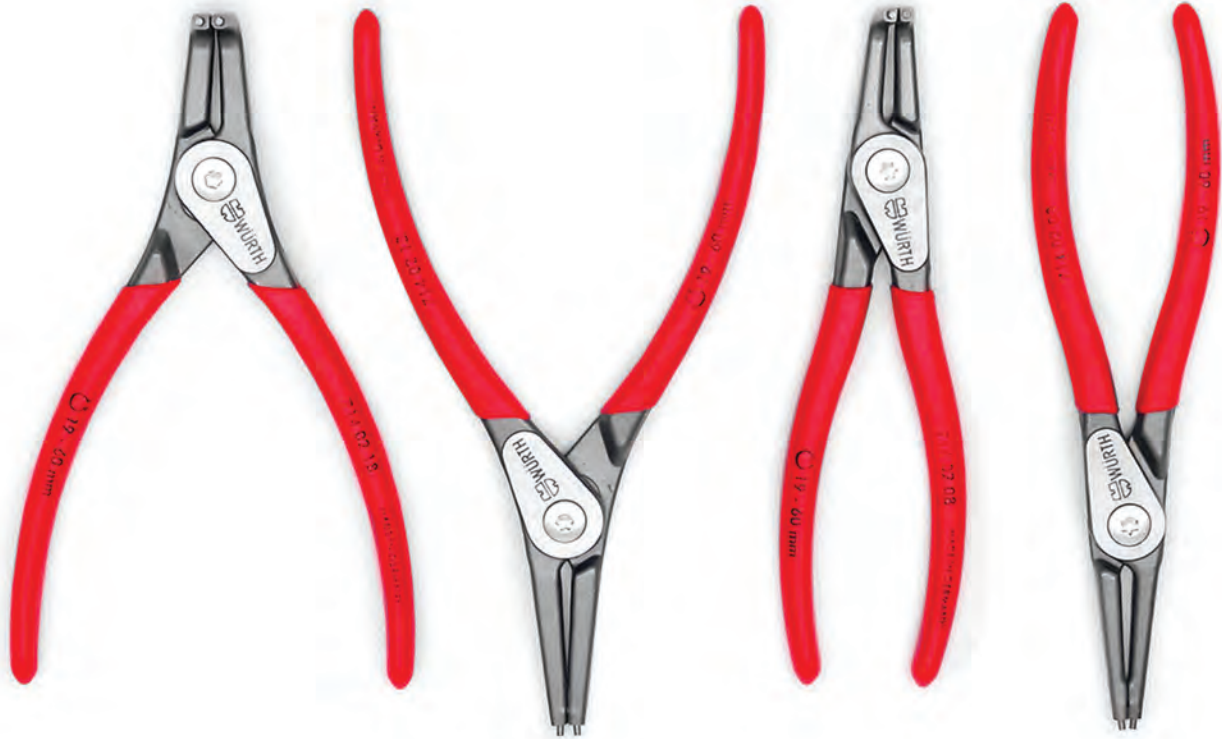
- For retaining rings (bore circlips)
- Standard: DIN 5256
- Handle: Plastic-coated
- Guarantees a secure grip, slip-resistant
- Compressed Spring Steel Tip
- Optimized stability for use with tight-fitting and seized rings
- Inserted Tips
- Offers maximum strength when loosening tight-fitting/seized rings and allows rings to be installed with minimal distortion
- Screwed and Mounted Joint
- High precision and optimized movement
- Large Contact Surfaces
- Rings mounted with minimal torsion
- Pliers Head
- Slim design for optimum access to work piece, especially in hard-to-reach areas

Packing & Sold In: Each

Item #	Length (mm)		Min./Max. grip range	Tenon diameter (mm)	Jaws length (mm)	Hook length (mm)
WR07140201	140	C Straight	8 - 13	0.9	39	-
WR07140202			12 - 25	1.25	38	
WR07140203	180		19 - 60	1.8	54	
WR07140204	225		40 - 100	2.25	65	
WR07140205	320		85 - 140	3.2	91	
WR07140206	130	D 90°	8 - 13	0.9	26	12
WR07140207			12 - 25	1.25		
WR07140208	165		19 - 60	1.8	40	14
WR07140209	210		40 - 100	2.25	49	16
WR07140210	305		85 - 140	3.2	73	20

**PLIERS / CUTTERS**

**Circlip Plier Set (4 Pieces)**



**Item # WW07140230 4 piece set**

- 4-piece set
- Handle: Plastic-coated
- Guarantees a secure grip, prevents slippage
- Tip from compressed spring steel
- Optimized stability, even with seized rings
- Inserted tips
- Offers maximum strength when loosening seized rings and allows rings to be installed with minimal distortion
- Screwed and mounted joint
- High precision and optimized movement
- Large locating faces
- Rings mounted without torsion
- Pliers head
- Narrow design for optimum access to workpiece, including in hard-to-reach spots
- Contents:
  - Form A Circlip Pliers, 19 - 60 mm grip range
  - Form B Circlip Pliers, 19 - 60 mm grip range
  - Form C Circlip Pliers, 19 - 60 mm grip range
  - Form D Circlip Pliers, 19 - 60 mm grip range

**Includes:**

Item #	Form / Grip Range
WR07140213	Form A, 19 - 60 mm
WR07140218	Form B, 19 - 60 mm
WR07140203	Form C, 19 - 60 mm
WR07140208	Form D, 19 - 60 mm

**A PLIERS / CUTTERS**

**B Zebra Vice-Grip Locking Pliers**



**Features:**

- Effortless release lever with spring mechanism
- One-hand operation – pull-action rather than push-action
- Lock nut for fixing clamping width, setting retained for repetitive applications
- Ergonomic design
- Comfortable and effortless handling
- High-quality epoxy coating, welding beads roll off
- 10x better rust resistance than Nickel coatings

Packing & Sold In: Each

**G Straight Jaws**



Item #	Length (mm)	Clamping Width (mm)
WR07150909	190	0-42
WR07150910	235	0-63

**M Long Straight Jaws**



Item #	Length (mm)	Clamping Width (mm)
WR07150904	235	0-70

**S Semi-Circular Jaws**



Item #	Length (mm)	Clamping Width (mm)
WR07150906	135	0-30
WR07150907	190	0-42
WR07150908	235	0-63

**SNIPS**

**Zebra Sheet Metal Snips - Short Length**



**Maneuverable, powerful and compact**



- Double Leverage
- Lower application of force with simultaneously increased cutting performance
- No slipping and no serration
- Perfect Design
- Small and lightweight
- Easily stores in most pockets
- Extremely Compact Shearing Head
- Ideal for cutting extremely tight radii and for hard-to-reach places
- Combined lock and stop for improved safety
- Cutting snips can be quickly and easily closed and kept closed
- Ergonomically shaped handle
- Easy to grip
- Allows for lower fatigue

Packing & Sold In: Each

Item #	Version	Length (mm)	Cutting capacity (mm)	
			Steel	Stainless Steel
WR071303200	Right-hand cutting	180	1.2	0.8



A  
B  
C  
D  
E  
F  
G  
H  
I  
J  
K  
L  
M  
N  
O  
P  
Q  
R  
S  
T  
U  
V  
W  
X  
Y

**A SNIPS**

**Zebra Sheet Metal Snips**



**Leverage Sheet Metal Cutting Snips For Continuous And Shaped Cuts**

- Rounded grip made from 2-component plastic
- Prevents hands from slipping
- Lower handle made from 1-component plastic
- Simply slide your finger over the lower handle when opening and closing the handle
- Handle heights prevent the cutting snips from slipping out of your hand
- Allows for safe execution
- Long service life
- Cutting head manufactured from stainless steel, die-forged
- Induction hardened cutting edges
- Non-serrated cutting geometry
- Helps prevent sheet metal slipping
- Lever transmission
- High cutting power with less effort

Packing & Sold In: Each



**Ideal Snips for continuous and figure cutting**

Item #	Version	Length (mm)	Cutting capacity (mm)	
			Steel	Stainless Steel
WR071303100	Right-hand cutting	260	1.8	1.2
WR071303110	Left-hand cutting			



- Longer service life
- Especially suitable for cutting stainless steel

**Ideal Carbide Snips with carbide cutting edges for continuous and figure cutting**

Item #	Version	Length (mm)	Cutting capacity (mm)	
			Steel	Stainless Steel
WR071303130	Right-hand cutting	260	1.8	1.2
WR071303135	Left-hand cutting			



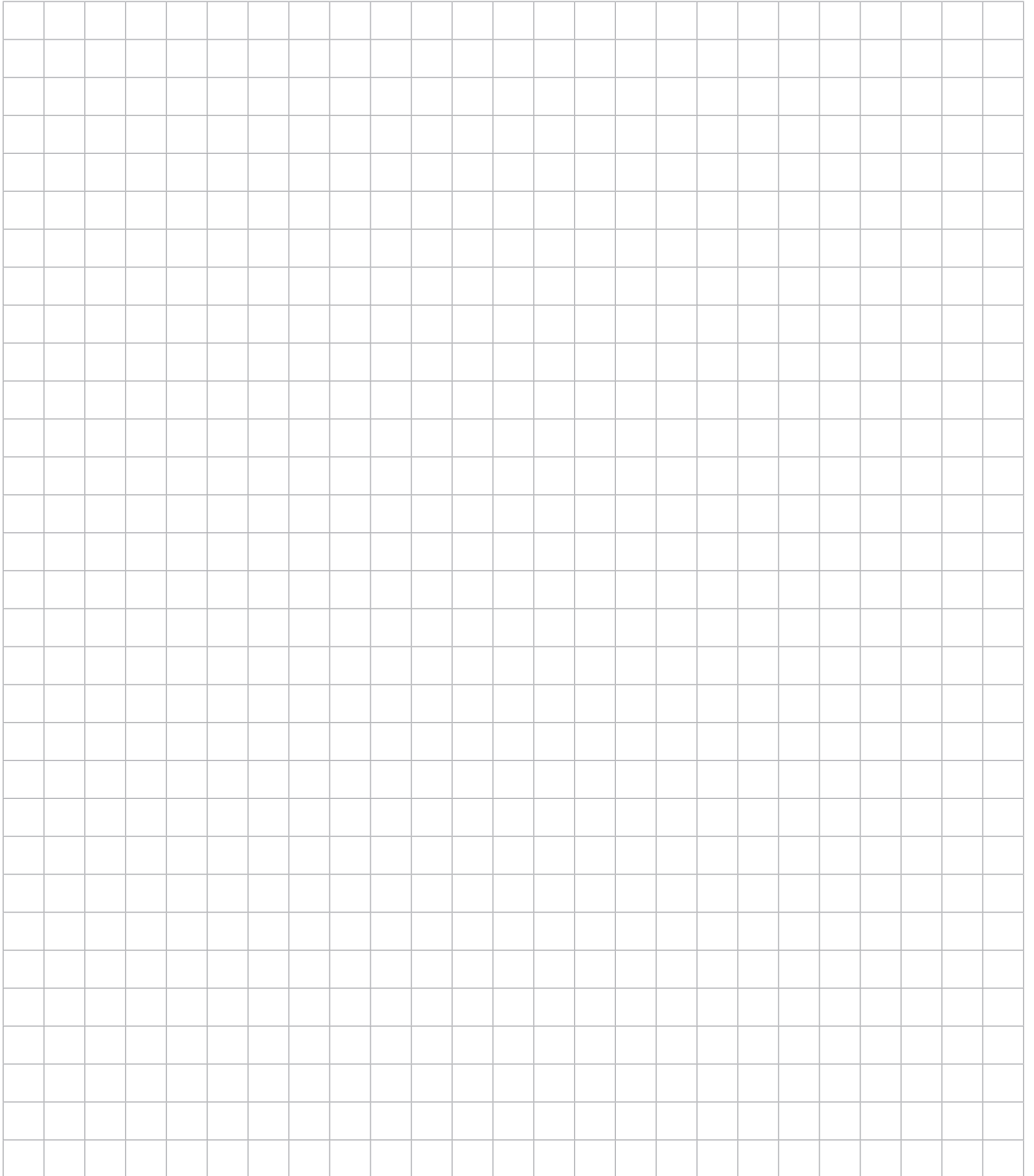
**Figure Snips for continuous and tight figure cutting**

Item #	Version	Length (mm)	Cutting capacity (mm)	
			Steel	Stainless Steel
WR071303115	Right-hand cutting	260	1.8	1.2
WR071303120	Left-hand cutting			



**Notes:**

**A**  
**B**  
**C**  
**D**  
**E**  
**F**  
**G**  
**H**  
**I**  
**J**  
**K**  
**L**  
**M**  
**N**  
**O**  
**P**  
**Q**  
**R**  
**S**  
**T**  
**U**  
**V**  
**W**  
**X**  
**Y**





**SECTION V - TABLE OF CONTENTS**

**Section V Contents:**

- Cordless Drills..... 2
- Routers .....3-5
- Jigsaws..... 6
- Dynabrade Random Orbital Sanders..... 7-10
- Dynabrade Finishing Sanders ..... 10
- Dynabrade Gear Driven Sanders..... 11
- Dynabrade Dynafine Sanders..... 12-13
- Dynabrade Dyninger Sanders..... 14
- SurfPrep Air Sanders..... 15-17
- SurfPrep Electric Sanders..... 18
- 3M Air Sanders..... 19
- Gem Electric Sanders..... 20
- Festool Sanders ..... 21-22
- Sanding Inspection Lights ..... 22
- Pneumatic Staplers ..... 23
- Pneumatic Micro Pinners..... 24-25
- Pneumatic Micro Bradders/ Brad Nailers ..... 25
- Air Tool / Line Accessories ..... 26-28
- Joiners ..... 29-32
- Festool Dust Extractors ..... 33-35
- Dynabrade Dust Extractors..... 36-40



A  
B  
C  
D  
E  
F  
G  
H  
I  
J  
K  
L  
M  
N  
O  
P  
Q  
R  
S  
T  
U  
V  
W  
X  
Y



**A CORDLESS DRILLS**

B  
C  
D  
E  
F  
G  
H  
I  
J  
K  
L  
M  
N  
O  
P  
Q  
R  
S  
T  
U  
V  
W  
X  
Y



**Drill/Driver Kit, 18V**



- Delivers 480 inch-lbs. of torque for improved productivity
- Weighs only 2.75 lbs. (Tool only, not including battery) and has only a 7.8" head-length
- 20+1 clutch settings provide accuracy for reduced fastener damage
- Two speed settings for high-speed (700 RPM) setting and high-power (0-450 RPM) mode
- Keyless ratcheting 1/2" chuck with auto-lock enables easier bit changes

Item #	Voltage	Battery Type	Chuck Size	Batteries Included
BOGSR18V-190B22	18V	Lithium Ion	1/2"	(2) 1.5 Ah



**Compact Drill/Driver & Hex Impact Driver, 18V**



- 1,400 inch-lb of max. torque in a tool that just 2.4 lb in weight
- Variable-speed drill furnishes control for high-speed (0-1,700 no-load RPM) and high-power (0-450 no-load RPM)
- Robust impact driver motor delivers a max. of 3,600 BPM for professional power
- Compact drill has a short head-length of 7.5" to fit in tight spaces
- Drill/driver's keyless ratcheting 1/2" chuck supports faster bit changes
- Built-in LED light featured on both tools illuminate dark work areas
- Electronic cell and motor protection protects the tools and batteries from overheating and overload

Item #	Voltage	Battery Type	Chuck Size	Batteries Included
BOGXL18V-26B22	18V	Lithium Ion	1/2" (Drill/Driver) 1/4" (Impact)	(2) 2.0 Ah



**TID 18 HPC Cordless Impact Drill**



- Maximum power due to the extremely powerful, brushless EC-TEC motor with three speed levels, and T mode specifically for self tapping screws
- Kickback free hammer mechanism drives the fastener rather than spinning the drill around the screw, protecting your wrist
- Compact design enables you to work accurately and for longer periods without becoming tired, even in hard to reach areas
- Tool free 1/4" holder, integrated bit storage, optimum LED illumination of the work area, and belt clip for attachment on both side
- Includes: 2 Battery Packs and Rapid Charger, Belt Clip, Systainer SYS3 M 187

Item #	Voltage	Battery Type	Chuck Size	Batteries Included
FST576480	18V	Lithium Ion	1/2"	(2) 4.0 Ah

**ROUTERS**



**Laminate Trim Router, 5/8 HP**

**PORTER CABLE.**

- On/Off switch located front and center
- Micro-set collar for quick and accurate bit height adjustments
- LED light for better visibility
- Quick release base
- Fine micro-height adjustment
- Includes: Fixed base, 1/4" Collet, Collet Wrench and Straight Edge Guide

Item #	AMPS	Soft Start	Collet Capacity	RPM
PCB6430	4.5	No	1/4"	31,000



**Fixed Base Router, 2-1/4 HP**

**PORTER CABLE.**

- Full-time electronic feedback maintains motor speed
- Dual-position switch allows user to cut power while maintaining control of the router
- Spindle lock feature allows for single wrench bit changes
- Durable latch lever enables quick and simple coarse depth adjustments and motor release for transition between bases
- Rack and pinion adjustment provides fine depth settings to 1/128"
- Includes: 1/4" and 1/2" collets, collet wrench and carrying case

Item #	AMPS	Soft Start	Collet Capacity	RPM
PCB892	12.0	Yes	1/4" & 1/2"	10,000 - 23,000



**Template Guides**

**PORTER CABLE.**

- Fit standard 1-3/16" diameter center hole router sub-bases

Item #	Purpose	I.D.	O.D.	Distance Past Base
PCB42024	Lock Face Routing	21/32"	3/4"	9/16"
PCB42237	Lock Nut for All Template Guides			

A  
B  
C  
D  
E  
F  
G  
H  
I  
J  
K  
L  
M  
N  
O  
P  
Q  
R  
S  
T  
U  
V  
W  
X  
Y

**A ROUTERS**

B  
C  
D  
E  
F  
G  
H  
I  
J  
K  
L  
M  
N  
O  
P  
Q  
R  
S  
T  
U  
V  
W  
X  
Y



**Colt™ Palm Router, 1 HP**



- Variable speed dial is conveniently mounted on top of the tool body
- Simple depth adjustment, just align and lower the motor and then lock the router in position with the clamping level
- Micro-fine adjustments via wheel on the back of the router's base
- Accepts standard 1/4 In. bits with max cutter diameter of 1-5/16"
- **Includes:** Fixed Base, 1/4 In. Self-Releasing Collet Chuck, Shaft Wrench and Collet Wrench

Item #	AMPS	Soft Start	Collet Capacity	RPM
BOPR20EVS	5.6	Yes	1/4"	16,000 - 35,000



**Palm Router, 1-1/4 HP**



- PR101 fixed base features macro- and micro-fine depth adjustment and a centerable round subbase for easy guidance
- Rugged 360° (non-split) aluminum base housing with wide-bit capacity that accepts bits up to 1-5/16 in. wide.
- Durable spindle lock allows for fast, easy bit changes
- **Includes:** Self-releasing collet chuck collet chuck wrench

Item #	AMPS	Soft Start	Collet Capacity	RPM
BOGKF125CEN	7.0	Yes	1/4"	16,000 - 35,000

**Combination Plunge- and Fixed-Base Router, 2-1/4 HP**



- Includes adjustable speed settings
- Constant Response circuitry stabilizes start-up torque
- Adjustable speed dial (8,000-25,000 RPM) allows user to set the optimal speed
- Microfine bit-depth adjustment
- Plunge base
- Threaded three-hole base pattern
- Dust-sealed power switch
- One-piece armature shaft
- Fixed base has threaded holes for mounting to router table positioned in common 3-hole pattern
- Rugged carrying case has compartments for all included items
- **Includes:** 1/4" and 1/2" self releasing collet chucks, 16mm Shaft Wrench, 24mm Collet Nut Wrench, Case, Fixed and Plunge Bases and Chip Shields, Height Adjustment Wrench, Screw for Table Mounting

Item #	AMPS	Soft Start	Collet Capacity	RPM
BO1617EVSPK	12.0	Yes	1/4", 3/8", 1/2", 8 mm	8,000 - 25,000

**ROUTERS**



**MFK 700 EQ Edge Router**

**FESTOOL**

- Powerful 720 watt (6.0 amp) motor can easily tackle most trimming, profiling and routing applications with variable speed and detachable cord
- Vertical and horizontal extra-wide bases provides ample support area for maximum control especially near edges or on narrow stock
- Micro-adjustable depth control to 1/256 inch (1/10 mm) with dual locking columns for precise routing control
- Threaded insert to accept template guides and phenolic resin baseplate to easily glide on a surface without marring the material to be routed
- Includes: 1.5 degree horizontal base unit, 5/16" diameter collet, extraction hood, in SYSTAINER SYS 2 T-LOC

Item #	AMPS	Soft Start	Collet Capacity	RPM
FST574368	6.0	Yes	1/4" - 5/16"	10,000 - 26,000



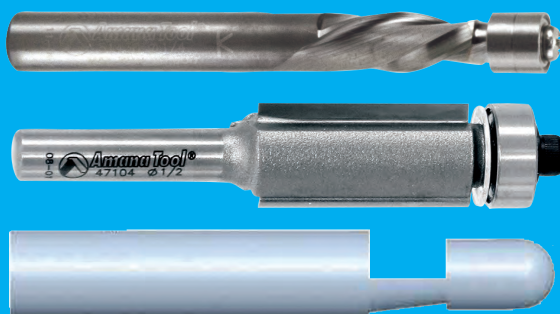
**Saw Hood**

**FastCap®**

The ChopShop Saw Hood saves you valuable time by helping keep your work area clean. Easy to set up and eliminates billowing dust throughout the shop or jobsite.

- Easy to set up and take down
- Connects to accessory holes
- Waterproof
- Geat for miter saws and tile saws

Item #
FCSAWHOOD



**FOR ROUTER BITS,  
See Section Y**

A  
B  
C  
D  
E  
F  
G  
H  
I  
J  
K  
L  
M  
N  
O  
P  
Q  
R  
S  
T  
U  
V  
W  
X  
Y

**A JIGSAWS**

B  
C  
D  
E  
F  
G  
H  
I  
J  
K  
L  
M  
N  
O  
P  
Q  
R  
S  
T  
U  
V  
W  
X  
Y



**Top Handle Jigsaw, Variable Speed**



- For smooth cutting up to 5-7/8" on wood, 3/8" on steel for countertops and woodworking
- Tool-less blade-change system and fast insertion with a blade ejection lever that eliminates need to touch hot saw blade
- Four orbital-action tool settings provide different blade strokes for smooth to aggressive cuts
- Variable speed dial sets maximum speed and accelerator trigger controls operating speed
- Ambidextrous lock-on button for steadiness and user comfort
- Multidirectional blade clamp delivers superior grip of T-shank blades

Item #	Cutting Cap (Soft Wood)	SPM
BOJS470E	5-7/8"	500 - 3,100



**CARVEX PSB 420 EBQ-Plus Jigsaw**



- Variable speed blade speed with extremely fast max 3,800 strokes per minute
- Tool-free base and base insert platform for expanded capabilities
- Triple blade guidance for perfectly perpendicular cuts and splinterguards for tear-free cuts
- Stroboscopic high-intensity LEDs for high blade visibility
- Brushless motor technology for light weight, more power and longer service life
- Includes: Sawblade, Splinter Guard, Systainer SYS3 M 137

Item #	Style	Cutting Capacity			SPM
		Wood	Non-Ferrous Materials	Steel	
FST576192	D-Handle	4-3/4"	3/4"	3/8"	Max. 3800

**For Jigsaw Blades,**

See pages Y-24 through Y-27



## "SWIRL-FREE" CHECKLIST FOR DYNABRADE SANDERS

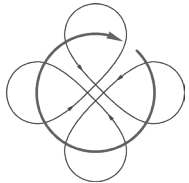
### Equipment Check:



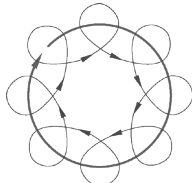
#### Random Orbital Sander

- 90 PSIG (6.2 Bar) is the required operating air supply pressure. Check the air pressure at the sander while it is running
- Confirm that the tool is running at the rated "Free Speed" RPM. On an average a 10,000 RPM non-vacuum sander will run at 9,500 RPM; a 12,000 RPM non-vacuum sander will run at 11,500 RPM. A vacuum sander normally runs slightly slower
- Inspect the balancer bearing (pad bearing). Remove the back-up pad and rotate the balancer bearing shaft while holding the counterbalance stationary. The balancer shaft should turn freely

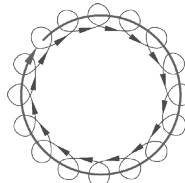
#### Which Orbit to Choose?



3/8" Diameter Orbit  
Aggressive Sanding



3/16" Diameter Orbit  
General Sanding



3/32" Diameter Orbit  
Ultra-Fine Sanding

#### Back-Up Pad

- Inspect the face of the sanding pad. The pad must be flat and smooth, without any defects. Dynabrade sanding pads are "weight-mated" to the sander. Using another pad can make the sander vibrate excessively and lead to an unacceptable finish.

#### Sanding Techniques:

- Always START the sander ON the surface, and STOP the sander OFF the surface
- When sanding keep the sander, and pad FLAT on the surface. Important: Do not exert heavy downward force on the sander. Apply enough downward force to keep the back-up pad and abrasive flat on the surface allowing the back-up pad to orbit freely over the surface
- Follow a set pattern when sanding. It is suggested to pass over the surface following a "North, South, East, West" pattern (see below), overlapping each pass 1/4 the diameter of the back-up pad and abrasive. This insures that the previous scratches are removed and that a uniform finish is achieved. Two "patterns" per sanding step are recommended
- Frequently inspect abrasive for tears, folds, or build-up. When changing abrasive to proceed to the next sanding step, first inspect the condition of the abrasive that is on the sander. If any defects are noticed in that abrasive, remove it and install another piece of the same grain and sand the work surface again before proceeding on to the next sanding step
- Always clear away sanding dust and abrasive debris before progressing to the next sanding step with a finer "grit" abrasive

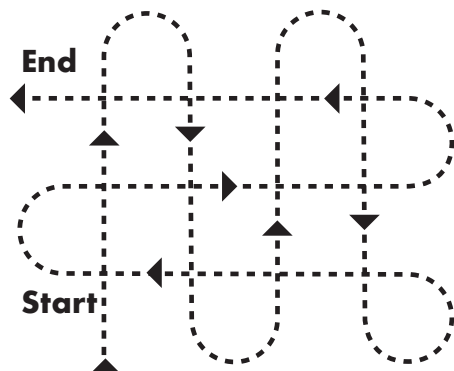


Figure A

**For Dynabrade  
Pads & Abrasives,  
See Section Q**

**A DYNABRADE RANDOM ORBITAL SANDERS**



**Dynorbital-Spirit® , 5 & 6"**  
**Air Powered Random Orbital Sander**



- Dynabrade’s lightest random orbital sander is ideal for vertical and contoured applications, and for operators with smaller hands
- Comfort Platform provides additional hand and wrist support, enhancing operator comfort. Also offers protection against cold air exhaust
- Auto-Recess Throttle Lever recesses into housing grip when depressed, eliminating pressure-point on operator’s palm
- One-handed speed control dial allows “thumb control” regulating of tool speed
- Patented Bearing Protection “V-Seal” protects balancer shaft bearing from sanding residue, resulting in longer tool life

Item #	Size	Pad Type	Orbit	RPM	HP	Vacuum Type
DB59005	5"	PSA	3/8"	12,000	.3	Non-Vacuum
DB59020			3/16"	12,000		
DB59035			3/32"	12,000		
DB59025	6"		3/16"	12,000		
DB59040			3/32"	12,000		
DB59164	5"		Multi-Hole Hook & Loop	3/16"		
DB59165		3/32"		12,000		
DB59182	6"	3/16"		12,000		
DB59183		3/32"		12,000		

**Additional Specifications:** Pad Thread 5/16"-24 Male | Air Inlet Thread 1/4" NPT | Hose I.D. Size 1/4". Air Pressure 90 PSIG | RPM 12,000.



**Dynorbital® "Supreme", 5"**



- Rotor utilizes five blades and produces more useable power; Composite rotor is stronger and has better lubricating qualities, enabling blades to last longer
- Rear exhaust

Item #	Size	Pad Type	Orbit	RPM	HP	Vacuum Type
DB56815	5"	PSA	3/16"	12,000	.28	Non-Vacuum
DB56850	5"	PSA	3/32"	12,000	.28	Non-Vacuum

## DYNABRADE RANDOM ORBITAL SANDERS



DBX61V

### Dynorbital® EXTREME, 3", 5" & 6"

#### Random Orbital Sander Series

- EXTREME POWER: Most consistent speed under load in industry, running at 92% of rated tool speed. Rotor design enhances power with less friction
- EXTREME COMFORT: Ergonomic design with integrated comfort platform for more wrist support and overall operator comfort. Recessed throttle lever eliminates pinch and pressure points on an operator's palm
- EXTREME PERFORMANCE: Premium sanding pad is weight-mated for the lowest vibration levels



Speed Control  
Dynorbital®  
Extreme



DBX52VHS

3" MINI-Dynorbital®  
Extreme



DBX31

	Features	Benefits
1	Recessed throttle lever	Eliminates pressure point on palm
2	Integrated comfort platform	Provides enhanced ergonomic comfort
3	Comfort Grip	Tactile, ambidextrous design
4	Lip-seal shroud	Allows excellent vacuum performance
5	Weight-mated sanding pad	For reduced vibration and consistent finishes
6	Integrated Swivel Cuff	Secure, maneuverable vacuum connection
7	Increased port size	For better vacuum capture rate
8	Speed Control Lever	Allows fine adjustment of tool speed
9	Compact Housing	For confined areas & small scale sanding

Item #	Size	Pad Type	Orbit	RPM	HP	Vacuum Type
DBX31	3"	Hook & Loop	3/16"	12,000	.1	Non-Vacuum
DBX31V	3"	Hook & Loop	3/16"	12,000	.1	Central Vacuum
DBX32	3"	Hook & Loop	3/32"	12,000	.1	Non-Vacuum
DBX32V	3"	Hook & Loop	3/32"	12,000	.1	Central Vacuum
DBX51	5"	PSA	3/16"	12,000	.3	Non-Vacuum
DBX51H	5"	Hook & Loop	3/16"	12,000	.3	Non-Vacuum
DBX51V	5"	Hook & Loop	3/16"	12,000	.3	Central Vacuum
DBX51VHS	5"	Hook & Loop	3/16"	12,000	.3	Central Vacuum
DBX52	5"	PSA	3/32"	12,000	.3	Non-Vacuum
DBX52H	5"	Hook & Loop	3/32"	12,000	.3	Non-Vacuum
DBX52V	5"	Hook & Loop	3/32"	12,000	.3	Central Vacuum
DBX52VHS	5"	Hook & Loop	3/32"	12,000	.3	Central Vacuum
DBX61	6"	PSA	3/16"	12,000	.3	Non-Vacuum
DBX61H	6"	Hook & Loop	3/16"	12,000	.3	Non-Vacuum
DBX61V	6"	Hook & Loop	3/16"	12,000	.3	Central Vacuum
DBX61VHS	6"	Hook & Loop	3/16"	12,000	.3	Central Vacuum
DBX62	6"	PSA	3/32"	12,000	.3	Non-Vacuum
DBX62H	6"	Hook & Loop	3/32"	12,000	.3	Non-Vacuum
DBX62V	6"	Hook & Loop	3/32"	12,000	.3	Central Vacuum
DBX62VHS	6"	Hook & Loop	3/32"	12,000	.3	Central Vacuum

NOTE: Item #'s ending in "S" feature Speed Control Lever for fine adjustment of tool speed.

**Additional Specs:** Air Inlet - 1/4" NPT. Air Hose I.D. - 1/4". Air Pressure - 90 PSIG | RPM 12,000.

A  
B  
C  
D  
E  
F  
G  
H  
I  
J  
K  
L  
M  
N  
O  
P  
Q  
R  
S  
T  
U  
V  
W  
X  
Y

A  
B  
C  
D  
E  
F  
G  
H  
I  
J  
K  
L  
M  
N  
O  
P  
Q  
R  
S  
T  
U  
V  
W  
X  
Y

## DYNABRADE RANDOM ORBITAL SANDERS



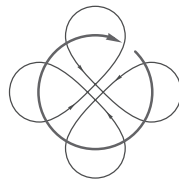
DBNS11V



DBNS11

### 11" Diameter Dynorbital® Random Orbital Sander

- Cover More Area in Less Time
- Proportionate 3/4" dia. orbit in relation to pad size assures swirl-free finish on a variety of surfaces
- All models include 56231 Hook & Loop sanding pad for abrasive discs 11-1/4" in diameter. Pad is weight-mated to tool, further reducing tool vibration levels
- Tools include reversible Side Handle (55312), which adds to operator comfort
- 1 year limited warranty



3/4"  
Diameter Orbit  
Aggressive Sanding



Item #	Size	Pad Type	Orbit	RPM	HP	Vacuum Type
DBNS11	11"	Hook & Loop	3/4"	2,800	1	Non-Vacuum
DBNS11V		Hook & Loop	3/4"			Central Vacuum

**Additional Specifications:** Air Inlet Thread 1/4" NPT | Hose I.D. Size 3/8".  
Air Pressure 90 PSIG.



### Dynabug® II Air Powered Orbital Finishing Sander

#### Featheredge, Finish, Sand and Blend

- Powerful .15 hp (112 W), 10,000 RPM air motor
- Utilizes just 13 SCFM (368 L/Min) at 90 PSIG (6.2 Bar)
- Precise 3/32" orbital motion is ideal for achieving a controlled, ultra-fine finish on a variety of surfaces
- Compact size is ideal for all operators, including those with smaller hands
- Engineered and tested to ensure less tool vibration than any competitive model!
- Lighter tool weight minimizes hand and arm fatigue; perfect for vertical applications
- Rectangular shape sands deep into corners, where round pads cannot reach



Item #	Size	Pad Type	Orbit	RPM	HP	Vacuum Type
DB58510	3" x 4"	Hook & Loop	3/32"	10,000	.11	Non-Vacuum

**Additional Specifications:** Air Inlet Thread 1/4" NPT | Hose I.D. Size 1/4".  
Air Pressure 90 PSIG.

**DYNABRADE GEAR-DRIVEN SANDERS**

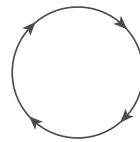
A  
B  
C  
D  
E  
F  
G  
H  
I  
J  
K  
L  
M  
N  
O  
P  
Q  
R  
S  
T  
U  
V  
W  
X  
Y



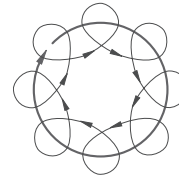
**Dynalocke®**  
**Air-Powered, Dual-Action Sander**

**Combination Rotary and Random Orbital Sander**

- 12,000 RPM Dynalocke® is truly "two tools in one," easily changing from a rotary Disc Sander to Random Orbital Sander with the turn of a dial
- Great on composite materials, utilized for leveling then blending glue seams
- Switch is recessed within tool grip to prevent accidental engaging



ROTARY Motion  
For Stripping



3/16"  
Diameter Orbit  
For Blending and  
Swirl-Free Finishes

Item #	Size	Pad Type	Orbit	RPM	HP	Vacuum Type
DB58430	5"	Hook & Loop	3/16"	12,000	.45	Non-Vacuum
DB58435	6"		3/16"			

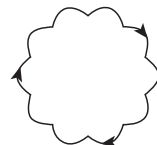
**Additional Specifications:** Pad Thread 5/16"-24 Female. Air Inlet Thread 1/4" NPT. Hose I.D. Size 1/4" Tune-up Kit: DB98220.



**Gear-Driven Sanders**  
**Random Orbital Sander**

**Aggressive Removal Applications**

- Unique epicycloidal sanding action allows aggressive removal of material
- Applications include removal and leveling of large amounts of filler materials such as glue or epoxy; removing coatings
- For use on materials including solid surfaces, wood and fiberglass
- Ergonomically designed for low vibration and reduced sound levels
- Excellent comfort and control, especially when working on vertical sides or large tabletops. Long handle allows for two-hand support of tool



Epicycloidal  
Motion  
Aggressive Sanding

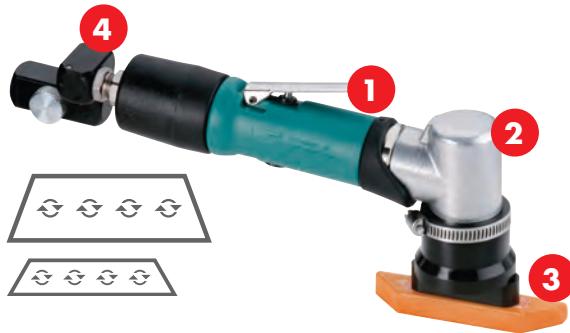
Item #	Size	Pad Type	RPM	HP	Vacuum Type
DB58445	8"	PSA	900	.45	Non-Vacuum
DB58040	11"	Hook & Loop	950		Non-Vacuum
DB58041					Central Vacuum

**Additional Specifications:** Air Inlet Thread 1/4" NPT. Air Pressure 90 PSIG.

**A DYNABRADE DYNAFINE® SANDERS**

**Raised Panel Sander**

Item #: DB57906



For full specifications see page V-13

	Features (All Tools)	Benefits
1	Comfort Grip	Ergonomically designed to fit naturally in operator hands
2	7° Offset handle	Greater operator comfort and control
3	1/32" Diameter Orbit	Provides ultra-fine finishes
4	Flow control swivel	Enhanced maneuverability

**Dynafine® Detail Sanders**  
**Air-Powered Finishing Sanders**



**Excellent for Use in Tight Corners**

The Dynafine® sander is a must have tool for woodworkers. The ultra-fine 1/32" orbit delicately scuffs surfaces for paint, stain or other finish coatings without undercutting. Additionally, a variety of pad shapes allow operators to easily navigate furniture curves, sand in corners, and evenly finish raised panel cabinetry. Solid Surface fabrications benefit from specifically designed pad backings for covered backsplashes as well as specially designed scraper attachment for glue squeezes.

**Finger Sander**

Item #: DB57930



**Detail Sander**

Item #: DB58017 (Central Vac, shown)

Item #: DB57900 (Non Vac)



Shown with a tear-drop pad the Dynafine® sander finishes corners other sanders cannot reach.



When equipped with raised panel pads, the Dynafine® evenly finishes recesses in cabinetry.



In finger sander format the Dynafine® navigates difficult to sand areas with ease.

## DYNABRADE DYNAFINE® SANDERS



### Dynafine® "Backsplash" Sander Air-Powered Finishing Sander

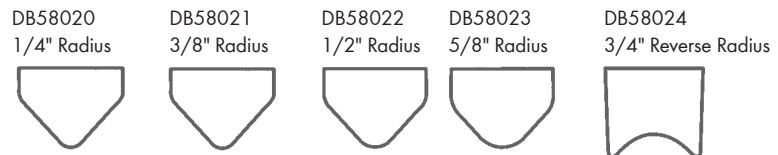


#### A Must for Solid Surface Fabricators

- Excellent for fabricating solid surface covered backsplashes; ideal for cleaning metal edges and corners
- Air motor features 1/32" diameter orbital action for achieving a superior finish
- Low profile housing allows easy access in hard-to-reach areas
- Handle is offset 7° for greater operator comfort and control



DB58000



Item #	Orbit	RPM	HP	Vacuum Type
<b>Detail Sanders (From page V-12)</b>				
DB57900	1/32"	13,000	.12	Non-Vacuum
DB57906	1/32"		.12	Non-Vacuum
DB57930	1/32"	15,000	.12	Non-Vacuum
DB58017	1/32"		.12	Central Vacuum
<b>Backsplash Sander (Shown above)</b>				
DB58000	1/32"	13,000	.12	Non-Vacuum

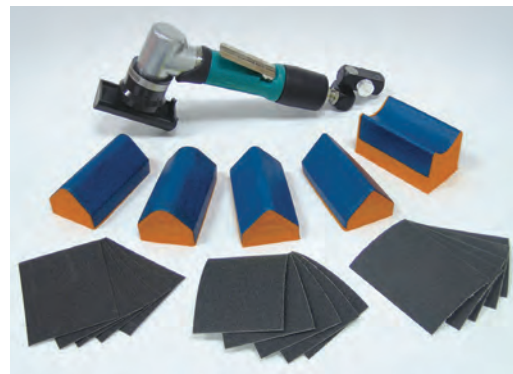
**Additional Specifications:** Air Inlet Thread 1/4" NPT. Hose I.D. Size 1/4".  
Air Pressure 90 PSIG Tune-up Kit: DB96236.

### Dynafine® Versatility Kits Air-Powered Dynafine® Finishing Sander



#### DB57910 Versatility Kit

**Includes:** DB57900 tool with Hook & Loop and PSA (adhesive-backed) pads, DB94407 Flow-Control Dynaswivel® (not shown) and an assortment of coated and non-woven nylon abrasives.



#### DB58010 Versatility Kit

**Includes:** DB58000 tool five sanding pads, an assortment of PSA (adhesive-backed) abrasives and DB94407 Flow-Control Dynaswivel®.

A  
B  
C  
D  
E  
F  
G  
H  
I  
J  
K  
L  
M  
N  
O  
P  
Q  
R  
S  
T  
U  
V  
W  
X  
Y

**A DYNABRADE DYNINGER SANDERS**

B  
C  
D  
E  
F  
G  
H  
I  
J  
K  
L  
M  
N  
O  
P  
Q  
R  
S  
T  
U  
V  
W  
X  
Y



**Dyninger**  
**Air-Powered Abrasive Finishing Tool**

**Sand, Defuzz, Blend, Scuff, Denib**

- Excellent for blending and scuffing sealer coatings on contours and flat surfaces, sanding raised panels, turnings, moldings, inside diameters and other hard-to-reach areas
- High torque air motor includes 1" dia. arbor for mounting up to six coated abrasive stars (up to 8" dia.) with 1" center hole. Abrasives sold separately
- Defuzz wooden grid pattern panels and denibbing raised grain
- Great for light deburring of metal



Item #	RPM	HP	Wheel Arbor Dia.	Tool Thread	Collet
DB52060	950	.4	5/8" or 1"	3/8"-24 Male	-

**Additional Specifications:** Air Inlet Thread 1/4" NPT. Hose I.D. Size 1/4". Air Pressure 90 PSIG Tune-Up Kit: DB96173.



**Lightweight Dyninger**  
**Air-Powered Abrasive Finishing Tool**

**Sand, Defuzz, Blend, Scuff, Denib**

- For sealer sanding, light deburring of metal, or fabrication and finishing of composite surfaces
- Excellent for use on wooden parts, moldings, raised panels and intricate profiles. Eliminates raised grain and removes loose fibers as well as scuffs
- Tool includes air-flow control Dynaswivel® fitting for maximum tool maneuverability and control
- Mount 4" diameter spindle-mount abrasive sanding stars with 1/4" shank, or Eyelet Sanding Stars (Stars sold separately)

Item #	RPM	HP	Wheel Arbor Dia.	Tool Thread	Collet
DB52050	3,200	.4	-	3/8" -24 Male	1/4"

**Additional Specifications:** Air Inlet Thread 1/4" NPT. Hose I.D. Size 1/4". Air Pressure 90 PSIG Tune-Up Kit: DB96173.



**SURFPREP AIR SANDERS**



**SurfPrep Low Profile, 3"**



- 3" sanders low-profile powerful design is perfect for use on flat or profiled surfaces
- Great for tight applications and hard-to-reach places, saving time from hand sanding
- The perfect choice for touch & repair spot sanding and 'inside radius' sanding
- Can easily be converted into a more "aggressive leveling sander" with the simple addition of a pad saver with SurfPrep Film cut sheets

**Includes:**

**SPSS3:** Sander, 12' Air Hose, Variety Pack of both Foam and Film abrasives as well as specialized accessories.

**SPS3:** Sander only

Item #	Size	Pad Type	Orbit	RPM	HP	Vacuum Type
SPSS3	3"	Hook & Loop	3/16"	12,000	.28	Non-Vacuum
SPS3	3"	Hook & Loop	3/16"	12,000	.28	Non-Vacuum



**SurfPrep Orbital Sander, 3" x 4"**



- Low profile, compact footprint designed for use on flat surfaces, recessed corners, inside drawer boxes, profiled moldings, etc.
- Consistent sanded finish, no 'crossover scratch' or 'fish hook' marks when used with SurfPrep Foam/Film abrasives
- Reaches effortlessly into tight corners, sanding all areas completely with 12' highly flexible red ball swivel air hose, saving hundreds of dollars annually on costly air leaks by eliminating metal coupler/heavy rubber hose connections
- Can easily be converted into a more "aggressive leveling sander" with the simple addition of a pad saver with SurfPrep Film cut sheets

Item #	Size	Pad Type	Orbit	RPM	HP	Vacuum Type
<b>Storm Sanding System</b>						
SPSS3X4KIT	3" x 4"	Hook & Loop	3mm	10,000	.24	Non-Vacuum
SPSS3X4CV	3" x 4"	Hook & Loop	3mm	10,000	.24	Central Vacuum
<b>Storm Sanders</b>						
SPS3X4	3" x 4"	Hook & Loop	3mm	10,000	.24	Non-Vacuum
SPS3X4CV	3" x 4"	Hook & Loop	3mm	10,000	.24	Central Vacuum
SPS3X4SGV	3" x 4"	Hook & Loop	3mm	10,000	.24	Self Generated

A  
B  
C  
D  
E  
F  
G  
H  
I  
J  
K  
L  
M  
N  
O  
P  
Q  
R  
S  
T  
U  
V  
W  
X  
Y

**A SURFPREP AIR SANDERS**



**SurfPrep "Trident" Sanders, 5" & 6"**



- Lightweight, durable composite body and a compact, recessed throttle lever
- Ergonomically balanced for added comfort and control for the operator
- Cutting edge 'cooling fan' creates air flow around the counter balance spindle bearing which enhances the life of the tool
- Motor assembly is constructed of hardened steel for the cylinder and both end plates
- 360° swivel exhaust grate allows operator to redirect air flow, no external cap/filter to lose or damage

Item #	Size	Pad Type	Orbit	RPM	HP	Vacuum-Type
<b>PSA Pad</b>						
SPTS5PSA316	5"	PSA	3/16"	12,000	.28	Non-Vacuum
SPTS5PSA332	5"	PSA	3/32"	12,000	.28	Non-Vacuum
<b>Hook and Loop Pad</b>						
SPTS5HL316	5"	Hook & Loop	3/16"	12,000	.28	Non-Vacuum
SPTS5HL332	5"	Hook & Loop	3/32"	12,000	.28	Non-Vacuum
SPTS6HL316	6"	Hook & Loop	3/16"	12,000	.28	Non-Vacuum
SPTS6HL332	6"	Hook & Loop	3/32"	12,000	.28	Non-Vacuum
SPTS5HL316CV	5"	Hook & Loop	3/16"	12,000	.28	Central Vacuum
SPTS5HL332CV	5"	Hook & Loop	3/32"	12,000	.28	Central Vacuum

**For SurfPrep Pads & Abrasives,  
See Section Q**

## SURFPREP AIR SANDERS



### SurfPrep Orbital Sander, 3-2/3" x 7"



- The 3-2/3" x 7" large footprint is perfect for sanding large/flat surface areas where round sanders do not fit
- Reaches effortlessly into corners, sanding all areas completely with 12' highly flexible red ball swivel air hose

NOTE: Non-Vacuum models shown. Self-Generated Vacuum and Central Vacuum set-ups available.

**Includes: SPSS3X7:** Sander, 12' Air Hose, Variety Pack of both Foam and Film abrasives as well as specialized accessories. **SPS3X7:** Sander only.

Item #	Size	Pad Type	Orbit	RPM	HP	Vacuum Type
SPSS3X7	3-2/3" x 7"	Hook & Loop	3/16"	10,000	.24	Non-Vacuum
SPS3X7	3-2/3" x 7"	Hook & Loop	3/16"	10,000	.24	Non-Vacuum



### SurfPrep Sander Accessories



Item #	Description
<b>Exhaust Kits</b>	
A	SP10KEK Exhaust Kit, for use with 3" x 4" and 3-2/3" x 7" air sanders
<b>Air Hoses</b>	
B	SP12H 12' air hose with ball swivel and 1 oz bottle air tool oil
	SP24H (shown) 24' air hose with ball swivel and 1 oz bottle air tool oil
<b>Vacuum Bags</b>	
C	SPVBI Vacuum Bag Inserts, Pack of 10
<b>SurfPrep Lubricating Oil</b>	
-	SPTOIL Tool Oil, 1 fl. oz.

A

B

C

A  
B  
C  
D  
E  
F  
G  
H  
I  
J  
K  
L  
M  
N  
O  
P  
Q  
R  
S  
T  
U  
V  
W  
X  
Y

**A SURFPREP ELECTRIC SANDERS**

B  
C  
D  
E  
F  
G  
H  
I  
J  
K  
L  
M  
N  
O  
P  
Q  
R  
S  
T  
U  
V  
W  
X  
Y



**SurfPrep "Ray" Sanders, 3" x 4", Electric**



- The tool's computer board is completely protected with a patented rubberized seal preventing environmental contamination
- Patented spindle bearing fan enhances life by keeping motor & bearings at a lower temperature
- Two override protection programs to enhance the life of the tool

Note: Sanding Systems include sander as well assortment of Foam and Film abrasives and specialized accessories.

Item #	Size	Pad Type	Orbit	RPM	Vacuum Type
<b>Ray Sanding System</b>					
SPES3X4CV	3" x 4"	Hook & Loop	3mm	4,000 - 9,000	Central Vacuum
<b>Ray Sanders</b>					
SPES3X4	3" x 4"	Hook & Loop	3mm	4,000 - 9,000	Non-Vacuum
SPES3X4CV	3" x 4	Hook & Loop	3mm	4,000 - 9,000	Central Vacuum



**SurfPrep "Ray" Sanders, 5", Electric**



- Patented spindle bearing fan enhances life by keeping motor & bearings at a lower temperature
- Quick-stop speed reduction stops backup pad from spinning when pressure is taken off of throttle lever
- Downforce Overload System' protects from excessive pressure
- Temperature Overheat System' monitors temperature of internal electronic systems

Item #	Size	Pad Type	Orbit	RPM	Vacuum Type
<b>PSA Pad</b>					
SPES5PSA316	5"	PSA	3/16"	4,000 - 10,000	Non-Vacuum
SPES5PSA332	5"	PSA	3/32"	4,000 - 10,000	Non-Vacuum
<b>Hook and Loop Pad</b>					
SPES5HL316	5"	Hook & Loop	3/16"	4,000 - 10,000	Non-Vacuum
SPES5HL332	5"	Hook & Loop	3/32"	4,000 - 10,000	Non-Vacuum

**Did you Know?**

Surfprep Electric Sanders Plug Directly Into the Wall?

## 3M AIR SANDERS



### 3M™ Elite Series, 5"



- Stikit™ Pad included with each sander
- Extended cover with 3M™ Gripping Material reduces vibration
- Aluminum housing for added durability
- Internal muffler provides less breakage, SGV 6 dB quieter

Item #	Size	Pad Type	Orbit	RPM	HP	Vacuum Type
MA28497	5"	PSA	3/16"	12,000	.28	Non-Vacuum
MA28498	5"	PSA	3/32"	12,000	.28	Non-Vacuum



### 3M™ Original Series, 5" & 6"



- Precision-balanced steel workings run smoothly with less vibration, ideal for high production industrial environments
- Aluminum body and durable composite cover reduce cracked housings and downtime
- Self generated sanders include filter bag, adapter and hose seal

Item #	Size	Pad Type	Orbit	RPM	HP	Vacuum Type
MA20317	5"	PSA	3/16"	12,000	0.24	Non-Vacuum
MA20319	5"	Hook & Loop	3/16"	12,000	0.24	Self Generated
MA20325	6"	PSA	3/16"	12,000	0.24	Non-Vacuum
MA20327	6"	Hook & Loop	3/16"	12,000	0.24	Self Generated



### Clean Sanding Filter Bag



- Achieves superior dust collection when used with 3M™ Random Orbital Sanders with Self-Generated Vacuum
- Large size holds up to .5 pounds of dust

Item #
MA20452

**For 3M Pads & Abrasives,  
See Section Q**

A  
B  
C  
D  
E  
F  
G  
H  
I  
J  
K  
L  
M  
N  
O  
P  
Q  
R  
S  
T  
U  
V  
W  
X  
Y

**A GEM SANDERS**



GEMBWHS

**NOT JUST FOR  
SOLID SURFACE  
SANDING!**

**GEM Electric Orbital Sander, 11"**



- Runs at 1,700 "orbits" minute without the possibility of creating the swirl marks associated with high-speed rotary buffers
- GEM's counter weight system is well balanced and smooth running, so you can guide the sander over the surface and let the 18 lbs. of weight do the work for you
- GEM's orbital action sands, polishes and finishes with a motion like that of the human hand
- Sands equally well and uniformly on solid surface and wood products
- Comes with a Hookit fastening system

**Features:**

- Heavy-duty ball bearing capacitor motor
- No gears to grind or strip out
- No armature winding to burn out
- No carbon brushes to burn out
- Exclusive removable shaft system
- Sands, polishes and finishes

Item #	Description	Pad Size	RPM
GEMBWHL	Sander without Shroud	11"	1,700
GEMBWHS	Sander with Shroud	11"	1,700
GEMC515CH	Drive Pad, Standard		
GEMC515HDH	Drive Pad, Firm		
GEMS112	Shroud only		



A



B

**GEM Sander Polishing Accessories**



- Accessories for GEM sanders



C



D

	Item #	Description
A	GEMC523S	Acrylic Counter Sealant, 32oz
B	GEMC645S	Solid Surface Compound, 32oz
C	GEMM15	Micro Fiber Bonnet
D	GEMM16	Micro Fiber Bonnet, Hi Pile
-	GEMMFT	Micro Fiber Towel, 16" x 16"

**FESTOOL SANDERS**



**ETS 125 REQ-Plus Random Orbital Sander**

**FESTOOL**

- Ergonomically formed to fit comfortably in any size hand
- Compact and light weight enough for extended vertical and overhead use
- Step-less variable speed allows you to adjust to the needs of the application
- Balanced vibration stop (VS) design delivers better finish results, smooth operation and greater comfort
- Jetstream design delivers highly efficient dust removal, resulting in cleaner air, better finishes, and longer abrasive and pad life
- Includes: StickFix Soft Sander Backing Pad, Festool Protector, Longlife dust bag, Systainer SYS3 M 187

Item #	Size	Pad Type	Orbit	Vacuum Type
FST576070	5" (125mm)	Hook & Loop	0.079" (2mm)	Self Generated



**ETS EC 125/3 EQ-Plus Random Orbital Sander**

**FESTOOL**

- Compact design and ergonomic grip for greater flexibility in all sanding tasks with less user fatigue
- Power through the toughest demands with EC TEC brushless motors delivering a constant powerful stream of performance
- Designed with dust extraction efficiency in mind the ETS EC sander integrates seamlessly into the Festool sanding solutions system
- Innovative features, which include Jetstream dust extraction, extraction connection signal, electronic active vibration stop, carbide-tipped sanding brakes and much more
- Includes: StickFix Soft Sander Backing Pad, Screwdriver (WAF 5), Systainer SYS3 M 187

Item #	Size	Pad Type	Orbit	Vacuum Type
FST576340	5" (125mm)	Hook & Loop	1/8" (3mm)	Central Vacuum

A  
B  
C  
D  
E  
F  
G  
H  
I  
J  
K  
L  
M  
N  
O  
P  
Q  
R  
S  
T  
U  
V  
W  
X  
Y

**For Festool Pads & Abrasives, See Section Q**

**A FESTOOL SANDERS**



**RO 150 FEQ Rotex Multi-Mode Sander**

**FESTOOL**

- Three tools in one for coarse sanding, fine sanding, and polishing
- The most powerful ROTEX sander to take on any job
- Eccentric motion for high-quality, scratch-free surfaces
- ROTEX Rotary Motion for extremely high material removal rate during coarse sanding
- Ideal ergonomic grip positions
- Sanding up to the edge thanks to the Festool Protector
- **Includes:** MULTI-JETSTREAM 2 FastFix sanding pad (150mm), Festool Protector, Systerainer SYS3 M 237

Item #	Size	Pad Type	Orbit	Vacuum Type
FST576028	6" (150mm)	Hook & Loop	3/16" (5mm)	Central Vacuum

**K STL 450 Inspection Light**

**FESTOOL**



FST202912

- Illuminates the surface to clearly show flaws and defects so you can perfect your work
- With 1,200 lumen and a color temperature of 5,000K, the STL 450 brings great brightness and color to any surface
- Impact-resistant, non-marring full body protection, there is little risk of surface damage further ensuring great results

Item#	Description
FST201938	STL 450 Light only
FST202912	STL 450 Light, ST DUO Tripod and AD-ST DUO 200 Adapter

**R LED Inspection Light**



- Helps sanding machine operators and sanding table personnel to see defects before they end up in the finishing room
- Low angle lighting silhouettes the scratch patterns and any surface imperfections
- Each LED has a 30,000 to 50,000 hour life span
- LEDs are very resistant to shock and vibration and gives off very low heat per lumen for operator comfort
- Warm 5,500-6,000 K light temperature is closer to daylight, which is better for color rendition
- Lenses keep the light on the table and not in the eyes of the operator
- Even, high intensity light

Item #	Length	Bulb Count
SPIL-24	24"	24
SPIL-40	40"	40



**PNEUMATIC STAPLERS**



**Stapler, 18 Gauge 1/4" Narrow Crown**

**PORTER CABLE**

- Tool-free depth-of-drive adjustment with detents for proper setting of nail heads
- Removable non-marring nose tip with on tool storage
- Special hardened driver blade for longer life
- Low staple reload indicator to alert when to reload

Item #	Gauge	Range	Capacity
PCBNS150B	18	1/2" - 1-1/2"	100 Staples



**Stapler, 18 Gauge 1/4" Narrow Crown**

**SENCO**

- Features E-Z Load/ E-Z Clear system
- NeverLube design requires no lubrication

Item #	Gauge	Range	Capacity
SNCSKSL	18	3/4" - 1-1/2"	158 Staples



**Stapler, 18 Gauge 1/4" Narrow Crown**

**SENCO**

- Adjustable depth-of-drive for precise staple setting
- No-mar pad keeps work surfaces free of marks
- Oil-free design means easier maintenance and no lubrication to stain fine wood

Item #	Gauge	Range	Capacity
SNCSLS25XP	18	3/8" - 1-1/2"	145-168 Staples



**Stapler, 18 Gauge 1/4" Narrow Crown**

**SENCO**

- Magnesium body delivers an ultra-light tool
- Selectable trigger lets you choose between high productivity or precision placement
- Metal cylinder for increased durability
- Re-load indicator on magazine
- 5 year warranty
- Includes wrenches, no-mar pad, case, plug

Item #	Gauge	Range	Capacity
SNC1W0021N	18	1/2" - 1-1/2"	110

A  
B  
C  
D  
E  
F  
G  
H  
I  
J  
K  
L  
M  
N  
O  
P  
Q  
R  
S  
T  
U  
V  
W  
X  
Y

**A PNEUMATIC PINNERS**



SNCTN11G1

**MicroPinner, 23 Gauge**

- NEVERLUBE® oil-free design eliminates the risk of oil spillover onto the work surface
- Ergonomic angled "pistol-grip" handle improves control of the tool for comfortable all day operation
- Rear exhaust with embedded muffler includes ¼" swivel air plug
- Reversible belt hook mounts to either side of the tool
- Magazine automatically conforms to fit different pin lengths
- Low load indicator
- Ultra-narrow nosepiece for easy access to tight corners and other hard to reach areas
- Last nail lockout prevents dry firing
- Dual trigger as an added safety precaution to prevent accidental fires
- 5 year warranty
- Includes case, swivel air plug and wrench

Item #	Gauge	Range	Capacity
SNCTN21L1	21	5/8" - 2"	200
SNCTN11G1	23	1/2" - 1-3/8"	100
SNCTN11L1	23	1/2" - 2"	100

B  
C  
D  
E  
F  
G  
H  
I  
J  
K  
L  
M  
N  
O  
P  
Q  
R  
S  
T  
U  
V  
W  
X  
Y



**MicroPinner, 23 Gauge**

- Convenient bottom-load magazine
- Rear exhaust - directs oil and dust away from user
- Dual trigger feature
- Low pin reload indicator
- Includes sample 23 gauge pins, 1/4" air fitting with dust cover, oil, wrench, and carrying case

Item #	Gauge	Range	Capacity
PCBPIN100	23	1/2" - 1"	170 Pins

**For Staples, Brads,  
Pins & more,**

See Section P

**PNEUMATIC PINNERS/BRADDERS**



**MicroPinner/Bradder, 23 Gauge**

- Auto adjust push for different lengths
- Lock-out to prevent dry firing
- Removable no mar tip; belt hook
- Steel driver blade; for longer life
- Rear exhaust with muffler
- Swivel adapter for hose connection

Item #	Gauge	Range	Capacity
WR11191W	23	Microbrads 7/8" - 1-3/8" Micropins 1/2" - 1"	120 Pins or Brads

Shoots both micropins and microbrads

A  
B  
C  
D  
E  
F  
G  
H  
I  
J  
K  
L  
M  
N  
O  
P  
Q  
R  
S  
T  
U  
V  
W  
X  
Y



**Brad Nailer, 18 Gauge**

- Lightest weight 2 in 1 tool offers both slight and medium head brad nailing
- Muffler ensures quieter operation
- Oil free design means easier maintenance and no lubrication to stain fine woods

Item #	Gauge	Range	Capacity
SNCSLP20	18	5/8" - 1-5/8"	110 Brad Nails



**Brad Nailer, 18 Gauge**

- Drives slight and medium head 18 gauge brads from 5/8" to 2-1/8"
- NeverLube technology - no lubrication required
- No mar pad
- Overmold comfort grip, and trigger, 360° adjustable exhaust, and belt hook

Item #	Gauge	Range	Capacity
SNCFINPRO25	18	5/8" - 2-1/8"	110 Brad Nails

**A AIR TOOL ACCESSORIES**



**Air Line Connectors**

Improve tool maneuverability and minimize operator fatigue with a "universal-joint". Two pivot points that swivel 360° relieve stress on the hose and hardware.



- Composite - no marring paint or clear coat
- Aluminum, Plated Steel, Brass - durable metal construction
- Flow Control - finger-tip air-flow control dial or lever

Item #	Thread Size	Style	Air Flow Range	Material
DB94300	1/4" NPT	Standard	up to 33 SCFM	Composite & Plated Steel
DB94407	1/4" NPT	Flow Control	up to 46 SCFM	Composite & Plated Steel
DB95461	3/8" NPT	Standard	up to 45 SCFM	Aluminum
DB95756	1/4" NPT	Flow Control	up to 25 SCFM	Chrome Plated Brass



DB94300



DB94407



DB95461



DB95756



**Coupler and Plug Combinations**  
**Plugs With Steel/Brass Safety Couplers**



- Includes one coupler and one plug
- Maximum working pressure: 150 PSIG (10 Bar)
- Temperature Range: -4°F to 212°F (-20°C to 100°C)

Item #	Coupler Thread Size NPT	Plug Thread Size NPT	Air Flow Range SCFM
DB95676	1/4" Female	1/4" Male	up to 74
DB95851	1/4" Male	1/4" Female	
DB98265	3/8" Female	3/8" Male	
DB98268	3/8" Male	3/8" Female	

## AIR TOOL ACCESSORIES



### Polyurethane Air Hose, Field Repairable



- Retains flexibility in subzero temperatures (down to -40° F)
- Resistant to lubricating oils, greases and abrasion

Item #	Hose I.D	Length	Fittings, NPT
WR69991425	1/4"	25'	1/4"
WR69991450	1/4"	50'	1/4"



### Max Flow Air Hose Assembly Lightweight Air Lines – 5/16" I.D.



- 66% lighter than conventional hoses
- Great flexibility and tool maneuverability, reduces operator fatigue
- Includes reusable fittings, ensuring air line integrity
- Narrow bending radius prevents "choking" of air tool

Item #	Length Feet (Meters)	Line I.D. Inches (mm)	Line O.D. Inches (mm)	Fittings Included (All 1/4")
DB94851	12'	5/16"	1/2"	Male / Male
DB94852	12'	5/16"	1/2"	Male / Female
DB94876	25'	5/16"	1/2"	Male / Male
DB94892	25'	5/16"	1/2"	Male / Female
DB94853	50'	5/16"	1/2"	Male / Male
DB94854	50'	5/16"	1/2"	Male / Female



### Air Tool Accessories Cost Effective And Performance Enhancing



#### Filter/Regulator/Lubricator

Using a Dynabrade F-R-L at every work station will extend the service life of the tools at an operator's bench. A F-R-L will filter debris/water hidden inside air lines, allow operators to regulate air pressure locally, and deliver air tool oil much more consistently than a manual oiling process.

- 106 SCFM for high demand tools
- 5-micron filter
- Includes 3/8" NPT reducer bushings
- Use with Dynabrade Air Lube (DB95842)

Item #	Inlet/Outlet Port Size	Max Air Pressure	Max Air Flow	Max Air Temp
DB10690	1/2" NPT	150 PSIG	106 SCFM	150° F

	Feature	Benefit
1	Mounting brackets	For easy installation
2	Manual filter/drain	Protects tools from water and contamination
3	Modular connections	Easily adaptable
4	Regulator and pressure gauge monitor	Adjusts air pressure
5	Adjustable oil drop	Set drip rate based on tool consumption
6	Zinc construction	For enhanced durability

A  
B  
C  
D  
E  
F  
G  
H  
I  
J  
K  
L  
M  
N  
O  
P  
Q  
R  
S  
T  
U  
V  
W  
X  
Y

**A AIR TOOL ACCESSORIES**

B  
C  
D  
E  
F  
G  
H  
I  
J  
K  
L  
M  
N  
O  
P  
Q  
R  
S  
T  
U  
V  
W  
X  
Y



**In-Line Blow Gun**



- Unique “full flow” straight-through design will not restrict downstream air flow
- Made of zinc and chrome-plated for durability and superior corrosion resistance
- Becomes a standard blowgun when one of the two 1/4” ports are plugged

Item #	NPT	Max Pressure	SCFM	OSHA Compliant
WR17149227	1/4”	150 PSI	13	Yes



**In-Line Blow Gun**



- Clean off work surfaces without disconnecting
- Only connect once; permanently mounts between coupler and air hose to purge air line of water and contaminants before starting up air tools
- Durable aluminum construction, weighs only 2 oz. (0.06 kg)

Item #	NPT	Max Pressure	SCFM	OSHA Compliant
DB94467	1/4”	150 PSI	5.5	Yes



**Air Tool Lubricant, Mineral Base Oil**



- Air Lube is specifically formulated to be a lubricant for pneumatic equipment
- Absorbs up to 10% of its weight in water
- Prevents rust and infirmation of gum/sludge for longer tool operation with greater power
- Contains no wax
- Helps to prevent downtime

Item #	Size
DB95842	16 fl. oz.



**Senco Air Tool Oil**



- Premium grade oils with high-quality paraffin distillate stocks

Item #	Size
SNPC102	32 fl. oz.

**JOINERS**

A  
B  
C  
D  
E  
F  
G  
H  
I  
J  
K  
L  
M  
N  
O  
P  
Q  
R  
S  
T  
U  
V  
W  
X  
Y



**Lamello P System Biscuit Joiner**



- Extremely fast joining method using a power tool
- Rapid, simple and precise working in the familiar manner like with Lamello biscuit joiners
- Identical grooves on both work pieces, saving time by removing the need for depth adjustments and minimizing the risk of errors
- Fitting installation with innovative profile groove technology greatly reduces labor time while also negating the need for additional fastening materials
- 5 different cutting depths for various connecting fittings
- Also compatible with biscuits and other 4 mm fittings
- **Includes:** Tool, drill jig and systainer case

Item #
CS101402S



**Biscuit Joiner**



- Fence tilts from 0 to 135 degrees with positive adjustable stop at 90 degrees
- 7 position rotating depth stop for FF, #0, #10, #20, biscuits Simplex, Duplex, and Max (#6) biscuits

Item #	Description
PCB557	Biscuit Joiner



**Standard Compressed Beech Wood Biscuits**



- Flat ends so surplus glue remains inside the groove
- Sold in full boxes of 1,000

Biscuit Size	Lamello Item #	Porter Cable Item #
#0	CS144000	-
#10	CS144010	PCB5552
#20	CS144020	PCB5553

A  
B  
C  
D  
E  
F  
G  
H  
I  
J  
K  
L  
M  
N  
O  
P  
Q  
R  
S  
T  
U  
V  
W  
X  
Y

**JOINERS**



**Domino DF 500 Mortise and Tenon Joiner Set** **FESTOOL**

- Domino Joiner DF 500 Q Set (including trim stop and cross stop) for fast, easy and strong mortise and tenon joining
- Unique, patented cutting action that rotates and oscillates to create perfect, clean, and repeatable mortises every time
- Mortise width adjustment with the turn of a dial allows for easier alignment when joining panels
- Pivoting Fence allows you to create angled mortises from 0-90° with positive stops at 22.5°, 45°, 67.5°
- Indexing pins for quick alignment against the edge of the workpiece for accurate placement
- Rapid bit change means you can change a bit in under 30 seconds to match desired tenon size

Item #
FST574432

**Domino Cutters**

NOTE: For use with Festool® Domino DF 500 Joiner only.



FST493490

Item #	Description
FST495663	Tenon Size: 4mm
FST493490	Tenon Size: 5mm
FST493491	Tenon Size: 6mm
FST493492	Tenon Size: 8mm
FST493493	Tenon Size: 10mm



**Domino DF 500 Tenon Assortment** **FESTOOL**

- Includes three plastic, removable storage bins with dividers
- Assortment includes 5 Cutters (4,5,6,8 and 10mm), Domino Assortment Systemainer, and 1060 tenons in assorted sizes

Item #	Size
FST498899	4mm - 10mm

**For additional DF500 & DF700 Tenons,**  
See Page V-32



**JOINERS**

A  
B  
C  
D  
E  
F  
G  
H  
I  
J  
K  
L  
M  
N  
O  
P  
Q  
R  
S  
T  
U  
V  
W  
X  
Y



**Domino DF 700 Mortise and Tenon Joiner Set**

**FESTOOL**

- Unique, patented cutting action that rotates and oscillates to create perfect, clean, and repeatable mortises every time
- Mortise width adjustment with the turn of a dial allows for easier alignment when joining panels
- Indexing pins for quick alignment against the edge of the work piece for accurate placement
- Tenons up to approximately 5-1/2-Inch in length for large scale projects
- Trim and cross stops for narrow stock and edge joining
- Includes: Trim Stop, Cross Stop, DF 700 XL 12mm cutter, Dowel Box, Open Ended Spanner, Support Bracket, Systainer SYS 5 TL

Item #
FST574447

**Domino Cutters**

NOTE: For use with Festool® Domino DF 700 Joiner only.



FST497868

Item #	Description
FST497868	Tenon Size: 8mm
FST497869	Tenon Size: 10mm
FST497870	Tenon Size: 12mm
FST497871	Tenon Size: 14mm



**Domino DF 700 Tenon Assortments**

**FESTOOL**

- **FST498204 Assortment includes:** 2 Cutters (8 and 10mm), Domino Assortment Systainer, and tenons in assorted sizes 8mm - 10mm
- **FST498205 Assortment includes:** 1 Cutter (14mm), Domino Assortment Systainer, and tenons in assorted sizes 12mm - 14mm

Item #	Size
FST498204	8mm - 10mm
FST498205	12mm - 14mm

**A JOINERS**



Beech Domino



Sipo Domino

**Domino Tenons**

**FESTOOL**

- Domino Beech tenons are made from solid hardwood stock and are for indoor applications
- Domino Sipo tenons are made from African Mahogany. Rot-resistant and ideal for outdoor applications
- Sold by the box

Size	Beech Domino	Box Qty	Sipo Domino	Box Qty
<b>4MM Dominos (DF 500)</b>				
4mm x 17mm x 20mm	FST495661	450	-	-
<b>5MM Dominos (DF 500)</b>				
5mm x 19mm x 30mm	FST494938	300	-	-
5mm x 19mm x 30mm	FST493296	1,800	FST494859	900
<b>6MM Dominos (DF 500)</b>				
6mm x 20mm x 40mm	FST494939	190	FST494870	190
6mm x 20mm x 40mm	FST493297	1,140	FST494860	570
<b>8MM Dominos (DF 500 &amp; DF 700)</b>				
8mm x 22mm x 40mm	FST494940	130	FST494871	130
8mm x 22mm x 40mm	FST493298	780	FST494861	390
8mm x 22mm x 50mm	FST494941	100	FST494872	100
8mm x 22mm x 50mm	FST493299	600	FST494862	300
8mm x 750mm	FST498686	36	FST498690	36
<b>10MM Dominos (DF 500 &amp; DF 700)</b>				
10mm x 24mm x 50mm	FST494942	85	FST494873	85
10mm x 24mm x 50mm	FST493300	510	FST494863	255
10mm x 750mm	FST498687	28	FST498691	28
<b>12MM Dominos (DF 700)</b>				
12mm x 26mm x 100mm	FST498216	100	-	-
12mm x 26mm x 140mm	FST498217	90	-	-
12mm x 750mm	FST498688	22	FST498692	22
<b>14MM Dominos (DF 700)</b>				
14mm x 28mm x 100mm	FST498218	80	-	-
14mm x 28mm x 140mm	FST498219	70	-	-
14mm x 750mm	FST498689	18	FST498693	18

**FESTOOL DUST EXTRACTION**



**CT SYS Clean-Tec Dust Extractor  
Full Unit HEPA Certification**

**FESTOOL**

- Portable and compact, yet loaded with features such as tool-triggered operation, high-performance suction, and Systainer integration
- Includes: fitted filter bag, smooth suction hose with rotating angle adapter on the extractor side, hose holder, SYS-Dock with T-LOC function, Upholstery Brush, Crevice Nozzle, D36, Shoulder Strap SYS-TG

Item #	Type	Hose Size	Container/Bag Capacity	Sound Level	Size	Weight
FST575280	CT SYS	1-1/16" x 9.8'	1.2 gal / 0.9 gal	67 dBA	15.6" D x 11.6" W x 10.6" H	15.2 lb



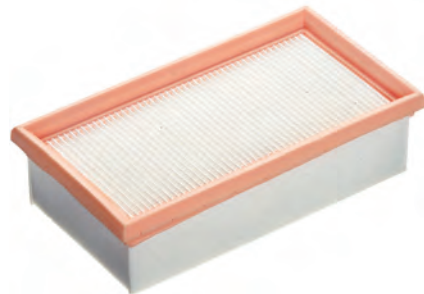
A

**Festool CT SYS Dust Extractor Accessories**

**FESTOOL**

- Accessories for Festool 575280 Dust Extractors
- Check manual for compatibility with additional dust extractor models and accessories
- All sold by each, except FST500438 sold by pack of 5

Main Filter (A)	Main Filter - HEPA (B)	SELF-CLEAN Filter Bags (C)	Longlife Filter Bag (D)
FST500558	FST200340	FST500438	FST500642



B



C



D

A  
B  
C  
D  
E  
F  
G  
H  
I  
J  
K  
L  
M  
N  
O  
P  
Q  
R  
S  
T  
U  
V  
W  
X  
Y

**A FESTOOL DUST EXTRACTION**



**CT MIDI I Clean-Tec Dust Extractors**  
**Full Unit HEPA Certification**

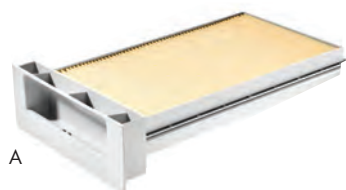
**FESTOOL**

- Touch controls for intuitive operation of the dust extractor
- Start and stop remotely with use of the integrated Bluetooth® technology (when used with optional Bluetooth® Remote control (FST202098) or tools with Bluetooth® Battery Packs)
- Change dust filters quickly, easily, and tool-free
- Includes: Smooth suction hose, SELFCEAN filter bag, hose holder, cable holder, SYS-Dock with T-LOC function

Item #	Type	Hose Size	Container/Bag Capacity	Sound Level	Size	Weight
FST574837	CT MIDI I	1-1/16" x 11.5'	4.0 gal / 3.3 gal	62 - 72 dBA	18.5" D x 12.6" W x 19.5" H	24.91 lb

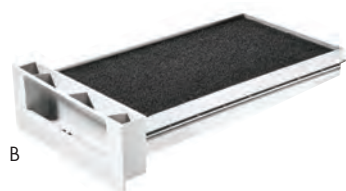
**L MINI I, MIDI I, and CT 15 E Clean-Tec Dust Extractor Accessories**

**FESTOOL**

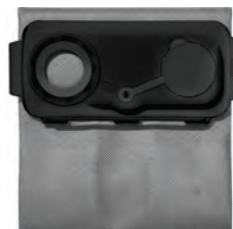


**MINI I, MIDI I, and CT 15 E Clean-Tec**  
**Dust Extractor Accessories**

- Accessories for Festool 574831, 574837 and 574845 Dust Extractors
- Check manual for compatibility with additional dust extractor models and accessories
- All sold by each, except FST204308 sold by pack of 5



Main Filter - HEPA (A)	Wet Filter (B)	SELFCEAN Filter Bags (C)	Longlife Filter Bag (D)
FST204201	FST204202	FST204308	FST204309



**FESTOOL DUST EXTRACTION**



FST577084

**CT 26 E and CT 36 E Clean-Tec Dust Extractors Full Unit HEPA Certification**

**FESTOOL**

- Large container capacity for any jobsite or in the workshop
- Can be individually retrofitted with Bluetooth® module for remote starting when used with optional Bluetooth® Remote Control CT-F I, or Bluetooth® Battery Pack
- High-performance turbine for the right suction power
- Equipped with swiveling front caster wheels and large rear wheels for optimum mobility
- Includes: High-performance Filter, SELFCLEAN Filter Bag, Smooth Antistatic Suction hose, Hose Holder, Cable Holder, SYS-Dock with T-LOC function

Item #	Type	Hose Size	Container/Bag Capacity	Sound Level	Size	Weight
FST577083	CT 26 E	1-1/16" x 11.5'	6.9 gal / 6.3 gal	62 - 71 dBA	2.48" D x 14.4" W x 21.3" H	28.7 lb
FST577084	CT 36 E	1-1/16" x 11.5'	9.5 gal / 8.9 gal	62 - 71 dBA	2.48" D x 14.4" W x 23.4" H	29.8 lb



A



B



C

**CT 26 E and CT 36 E Clean-Tec Dust Extractor Accessories**

**FESTOOL**

- Accessories for Festool 577083 and 577084 Dust Extractors
- Check manual for compatibility with additional dust extractor models and accessories
- All sold by each, except FST496187 and FST496186 sold by pack of 5



D



E

Dust Extractor	Type	Main Filter - (A)	Main Filter - HEPA (B)	Wet Filter (C)	SELFCLEAN Filter Bags (D)	Longlife Filter Bag (E)
FST577083	CT 26 E	FST496170	FST205412	FST496169	FST496187	FST496120
FST577084	CT 36 E				FST496186	FST496121

A  
B  
C  
D  
E  
F  
G  
H  
I  
J  
K  
L  
M  
N  
O  
P  
Q  
R  
S  
T  
U  
V  
W  
X  
Y

**A DYNABRADE DUST EXTRACTION**

B  
C  
D  
E  
F  
G  
H  
I  
J  
K  
L  
M  
N  
O  
P  
Q  
R  
S  
T  
U  
V  
W  
X  
Y



DB10049

**Mini-Raptor Vac® Packs  
Mobile Industrial Vacuum Systems**

Designed for peak efficiency, the Pro-Pack equips a single operator with a complete system for sanding and dust collection. Featuring a Vacuum Auto On/Off, the Pro-Pack saves time and energy by automatically turning suction on and off with tool use. The Pro-Pack has on-board, stackable storage to keep abrasives, and tools accessible and organized.

**Pro-Pack (DB10049)**

**Features:**

- Premium cart with accessory shelf
- On-board, stackable and lockable storage
- Tool & hose hanger
- Mini-raptor vac® auto on/off
- Industrial locking casters
- Stainless canister with HEPA filter & bag
- 20 ft vacuum hose assembly with integrated air line



**2 YEAR  
WARRANTY**



**M-Class**



DB10051

**Standard Pack  
(DB10051)**

**Features:**

- Carriage handle & dolly
- Stainless canister with HEPA filter & bag
- 20 ft vacuum hose assembly with integrated air line



DB61105

**General Purpose  
Cleanup  
(DB61105)**

**Features:**

- Carriage handle & dolly
- Stainless canister with HEPA filter & bag
- Wet/dry cleanup

Included in pack:



Item #				DBX61VHS				
DB10049	X	X		X	X	X	X	
DB10051			X	X	X			
DB61105	X		X					X

**DYNABRADE DUST EXTRACTION**

**Component Specifications**



Item #	Amp	Cap. Gallon	Power	Watts	Water Static Lift	Air Flow CFM	Height	Width	Length
DB61100	12A	16	6.5 hp	1440	94"	143	28"	21"	18"



Item #	Platform Dimensions	Weight	Shipping Weight	Height	Width	Length
DB61486	18" x 24"	75	89	43.5"	25.3"	30.7"

**Mini-Raptor Vac® Pack Accessories**



A

Item #	Description
A DB31972	20 Vac Hose Assembly with integrated air line, (1) 1/4" NPT coupler and (2) 1/4" NPT plugs
B DB61122	HEPA Filter
C DB61169	Vacuum Bag
D DB61126	Wet Collection Sleeve
E DB61562	Vacuum Y-Inlet
F DB61566	Raptor Vac® Auto On/Off
G DB96605	Mini-Raptor Vac® Cleaning Kit



B



C



D



E



F



G

A  
B  
C  
D  
E  
F  
G  
H  
I  
J  
K  
L  
M  
N  
O  
P  
Q  
R  
S  
T  
U  
V  
W  
X  
Y

**A DYNABRADE DUST EXTRACTION**



(Cart optional)

DB61430  
Division 2 - 120 V, 60 Hz, 15 amp plug (North America)

**Certifications**

Designed for use in:  
Class II, Division 1, Groups F and G  
Hazardous Locations as defined  
in the National Electric Code (NFPA 70).

**Division II Raptor Vac®  
Electric Portable Vacuum**

**For Collecting Non-Metallic Dust and Debris**

- Designed for general source capture and cleanup
- Powerful suction is ideal for dry-only industrial applications
- Bypass motor system uses clean air to cool the motor and extend vacuum life
- Includes HEPA H14 filter with 99.995% efficiency on 0.3 micron
- Two additional HEPA filters included within powerhead, making powerhead eligible for IP6X
- Top-quality stainless steel body and 10 gallon recovery tank
- Unit is static-dissipating (kit included) and conductive
- Aerosol leak tested for quality assurance
- Equipped with easy-glide cart
- Also connects to optional DB61483 Cart
- Connect two tools simultaneously
- Auto on/off



**System Includes:**

- Two 20' conductive coaxial hoses with integrated air lines
- "Y" connector
- Two composite couplers
- Two vacuum hose swivel adapters
- Conductive poly liner
- 3/4" x 25' conductive air line supply

**Vacuum for use in:**

**Group F** atmospheres, containing combustible carbonaceous dusts, such as coal, carbon black, charcoal, coke dust

**Group G** atmospheres, containing wood and plastic dusts

**For accessories, See page 40**

Item #	Regional Description	Cap. Gal.	Voltage/ Frequency	Watts	Amp (Plug for Region)	Air Inlet Pressure PSIG (Bar)	Water Static Lift	Air Flow CFM	Ship Weight	Height	Width	Length
DB61430	Division 2	10	120 V / 60 Hz	1,200	20	90	107"	110	122	39"	20"	27"




**DYNABRADE DUST EXTRACTION**



(Cart optional)

DB61440  
Division 2 - (North America)

**Certifications**

 Designed for use in:  
Class II, Division 2, Groups F and G  
Hazardous Locations as defined  
in the National Electric Code (NFPA 70).

**Division II Raptor Vac®  
Pneumatic Portable Vacuum**

**For Collecting Non-Metallic Dust and Debris**

- Designed for general source capture and cleanup
- Powerful suction is ideal for dry-only industrial applications
- Includes HEPA H14 filter with 99.995% efficiency on 0.3 micron
- Two additional HEPA filters included within powerhead, making powerhead eligible for IP6X
- Top-quality stainless steel body and 10 gallon (38 liter) recovery tank
- Unit is static-dissipating (kit included) and conductive
- Aerosol leak tested for quality assurance
- Equipped with easy-glide cart
- Also connects to optional DB61483 Cart
- Connect two tools simultaneously
- Auto on/off capable (Sold separately, DB61566)



**System Includes:**

- Two 20' (6 m) conductive coaxial hoses with integrated air lines
- "Y" connector
- Two composite couplers
- Two vacuum hose swivel adapters
- Disposable collection bag
- Conductive poly liner

**Vacuum for use in:**

**Group F** atmospheres, containing combustible carbonaceous dusts, such as coal, carbon black, charcoal, coke dust

**Group G** atmospheres, containing wood and plastic dusts

**For accessories, See page 40**

Item #	Regional Description	Cap. Gal.	Air Inlet Pressure PSIG	Air Consumption CFM	Water Static Lift	Air Flow CFM	Ship Weight	Height	Width	Length
DB61440	Division 2	10	90	45*	170"	120	102 (46)	39"	20"	27"

\*NOTE: Be sure to add air consumption for EACH TOOL attached to Vacuum, for total CFM (L/Min) requirement.

A  
B  
C  
D  
E  
F  
G  
H  
I  
J  
K  
L  
M  
N  
O  
P  
Q  
R  
S  
T  
U  
V  
W  
X  
Y

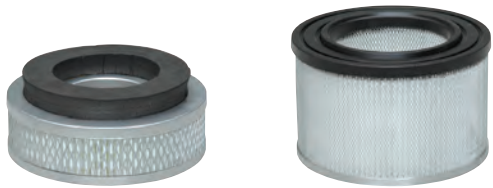
**A DYNABRADE DUST EXTRACTION**

B  
C  
D  
E  
F  
G  
H  
I  
J  
K  
L  
M  
N  
O  
P  
Q  
R  
S  
T  
U  
V  
W  
X  
Y

**Division II Vacuum Accessories**  
**Build The System To Meet Your Needs**

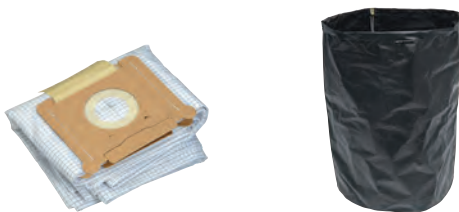


**Division 2 - 120 V, 60 Hz, 15 Amp Plug**  
**Electric: DB61430**



DB62410

DB62640



DB62647

DB62638

Item #	Description	Qty
DB62410	Cooling HEPA Filter/Intake	1
DB62640	Working Air HEPA Filter/Intake	
DB62483	HEPA Filter/Exhaust	
DB62647	Collection Bag	3-Pack
DB62638	Conductive Poly Liner	5-Pack
DB62719	Pre-Filter	1
DB62449	Grounded Air Line	
DB62414	Micro Safety Filter	

**Division 2**

**Pneumatic: DB61440**



DB62483

DB62449



DB62719

DB62414

Item #	Description	Qty
DB62640	Working Air HEPA Filter/Intake	1
DB62677	Pre-Filter	
DB62647	Collection Bag	3-Pack
DB62638	Conductive Poly Liner	5-Pack
DB62449	Grounded Air Line	1
DB62414	Micro Safety Filter	

**Conductive Cleaning Kit**

**Item #:** DB96607

For models DB61430, and DB61440

Vacuum Hose, 10 ft. length



**SECTION W - TABLE OF CONTENTS**

**Section W Contents:**

Würth Machinery.....2-9  
 Würth Dust Collectors..... 10-11  
 Dynabrade Downdraft Tables..... 12-13  
 Kreg Machinery ..... 14  
 Würth Machinery Overview ..... 15  
 SawStop Saws ..... 16-24



A  
B  
C  
D  
E  
F  
G  
H  
I  
J  
K  
L  
M  
N  
O  
P  
Q  
R  
S  
T  
U  
V  
W  
X  
Y



NOTE: Some of the items in this section are not available in all markets. Please contact your Würth Louis and Company representative for more information.

**A** **EDGEBANDERS**

**B** **Portable Edge Bander**



Item #: WRMKCBC.EC

**Features & Benefits:**

- Mobile glue bar mechanism ensures application of glue to substrate material
- Digital temperature control regulates and maintains precise glue temperature
- Tape support plate easily guides tape roll
- Centering jig plate supports tape roll for easy application
- In-feed guide aligns the workpiece before meeting glue bar
- Variable speed control regulates the speed of the tape to the work piece
- Manual cutter allows for precise cutting of tape up to 3mm
- Back roller band allows for additional pressure of tape to panel surface ensuring adhesion
- Retractable legs allow for easy transport and portability
- Glue pot capacity is up to 1.5 pounds allowing long run time



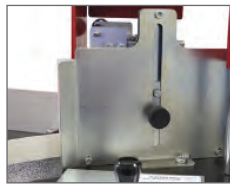
**Large Plate Support**  
Fits a 20" roll of edge-banding tape



**Adjustable Guide**  
Supports the edge-bander tape while it is being applied to the workpiece



**Tape Cutter**  
Integrated knife offers precise cutting of edgebanding tape



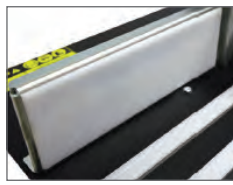
**Tape Guide**  
Ensures the alignment between the tape and the workpiece



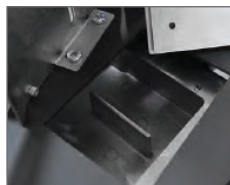
**Table Guide**  
Provides a smooth surface allowing the workpiece to slide across the table



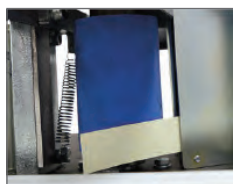
**Foldable Legs**  
Can be easily transported from the shop to the jobsite



**Nylon Guide**  
Pressure points to assist the bonding of the edgebanding tape



**Glue Assembly**  
Has a recycle system that allows excess glue to flow back into the gluepot



**Rubber Spindle**  
Applies the tape onto the workpiece at a set speed

Technical Information	
Glue Temperature	266°F - 356°F (130°C - 180°C)
Max. Tape Width	3" (80mm)
Tape Thickness	.3mm - 3mm
Feeder Speed	21 ft/minute
Power	1,300 Watts
Motor	1-Phase
Volts	110V
Work Area	39-3/8" x 15-35/64"
Weight	114lbs
Warranty	2 years

**A**  
**B**  
**C**  
**D**  
**E**  
**F**  
**G**  
**H**  
**I**  
**J**  
**K**  
**L**  
**M**  
**N**  
**O**  
**P**  
**Q**  
**R**  
**S**  
**T**  
**U**  
**V**  
**W**  
**X**  
**Y**

## EDGE BANDER ACCESSORIES



Item #: WRMKRBB.1000

### Würth Portable Edge Trimmer

The Portable Edge Trimmer executes trimming and scraping on the edge tape applied to MDF and similar woodpanels, providing a perfect finish. Portable, easy to install, and has a versatile mounting system for any type of bench. Works with ABS edges, PVC and others.

- Maximum panel height: 60mm
- Maximum edge tape thickness: 2mm
- Includes Makita ¼" trimmer
- Power: 500 watts
- Table Length: 39" (1,000mm)
- Table Width: 6" - 16" (155mm to 410mm)
- Trimmer Speed: 32,000 RPM
- Net Weight: 41.9lbs
- 2 year warranty

#### Features & Benefits:

- Trims front and top edge of banded material while also scraping top edge for a perfect finish
- Easily mounts to any workbench
- Performs perfect finishing touch



Item #: WRMA1000

### Würth Portable Workbench

- Work area: 39" x 16-1/2"
- Max. Holding Capacity: 441 lbs
- Net Weight: 52 lbs

#### Features & Benefits:

- For use with Würth Portable Edge Trimmer
- Made with heavy duty steel
- MDF work surface
- Integrated storage drawer
- 2 electrical sockets for tool versatility
- Retractable feet and wheels

A

B

C

D

E

F

G

H

I

J

K

L

M

N

O

P

Q

R

S

T

U

V

W

X

Y

**A MANUAL SLITTER**



Item #: WRMKF.160

**Manual Slitter**

Practical, innovative, and economical piece of equipment that helps the professional to adjust special measurements in edgetapes and plastic laminate sheets.

Technical Information	
Tape Thickness	1/32"
Maximum Width	6-19/64"
Weight	35.3lbs
Warranty	2 years



**TRYING TO ENHANCE THE PRODUCTIVITY OF YOUR SHOP?**

Take a look at Würth Louis and Company's selection of new, used, or reconditioned machinery.

[www.wurthmachinery.com](http://www.wurthmachinery.com)

Just a few of the top name brands we sell!

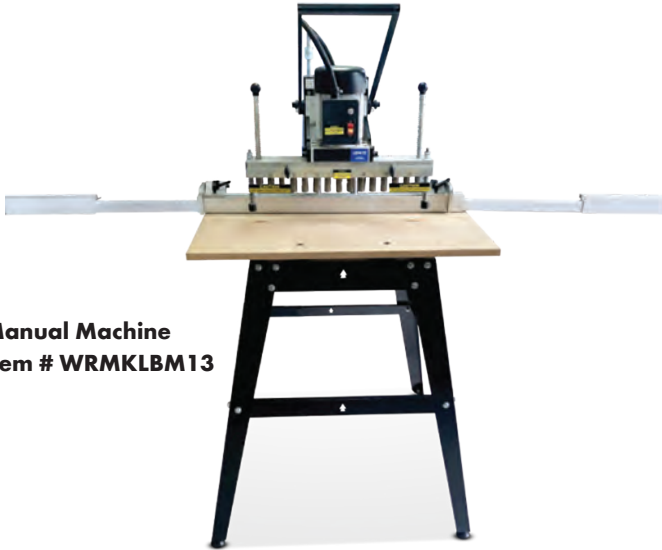


**LINE BORING MACHINES**

A  
B  
C  
D  
E  
F  
G  
H  
I  
J  
K  
L  
M  
N  
O  
P  
Q  
R  
S  
T  
U  
V  
W  
X  
Y

**Line Boring Machines**

With your choice of a manual or pneumatic version, these line boring machines offer you the opportunity to work with the most innovative benchtop boring machines currently on the market!



**Manual Machine**  
Item # WRMKLB13



**Pneumatic Machine**  
Item # WRMKLB13  
Approx. air pressure required 90psi (6.2 bars)

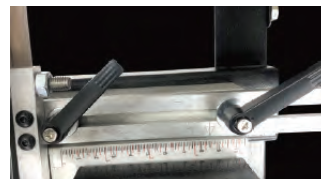
Technical Information	
Motor	1 HP, 110V or 220V, prewired 110V, Single-Phase - 10A/5A
Table Size	31" x 15-1/2"
Spindle Speed	3,450 RPM
Fence Stops	2
Expandable Fence Guide Max	89"
Floor to Table Height	34"
Max. Depth of Stroke	2.5"
Length of Fence	61.5" - 91.5"
Number of Spindles	13 (6 left and 7 right)
Distance Between Spindle Centers	32mm
Weight	155lbs



Air regulator and filter



Depth adjustment



Back Fence Scale Position Indicator



Expandable Fence Guide Max. 89"



Adjustable X and Y Axis Flip Stops



Boring Bit Set (Left and Right)



Step and Repeat Operation Index Pins (Left and Right)



Spring Loaded Hold Downs

**A MATERIAL HANDLING**


Item #: WRMKTC3000

**Panel Carrier**

- Made to facilitate the day-to-day tasks of the everyday woodworker
- Its durable structure and 4 wheels allows anyone to carry 2 full sheets of wood at once
- Has adjustable height making it easy to work in conjunction with virtually any woodworking equipment
- With a carrying capacity of 254lbs, this will help you increase productivity and reduce injuries from heavy loads

Technical Information	
Minimum Table Height	33" (845mm)
Maximum Table Height	37" (945mm)
Equipment Dimension	43" x 49" x 28"
Maximum Capacity	254lbs
Maximum Panel Size	108" x 1" x 72"
Weight	70.5lbs
Warranty	2 years



Item #: WRMKPRA9

**Roller Stand**

- Expands work area and supports large wood pieces and panels
- Reduces effort of operator and increases productivity
- Adjustable height adjustment

Technical Information	
Workstand Dimensions	65" x 19-3/4"
Minimum Height	26"
Maximum Height	41-3/4"
Number of Rollers	9
Load Capacity	440lbs
Weight	66lbs
Warranty	2 years



Panel Saw and PRA/9



Wood Jointer and PRA/9



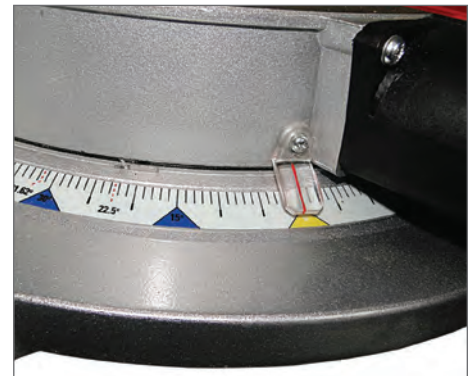
**MITER SAWS**

**10" Miter Saw - With Laser Guide & Dual Sliding Rail**



Item #: WRMKMK300-1

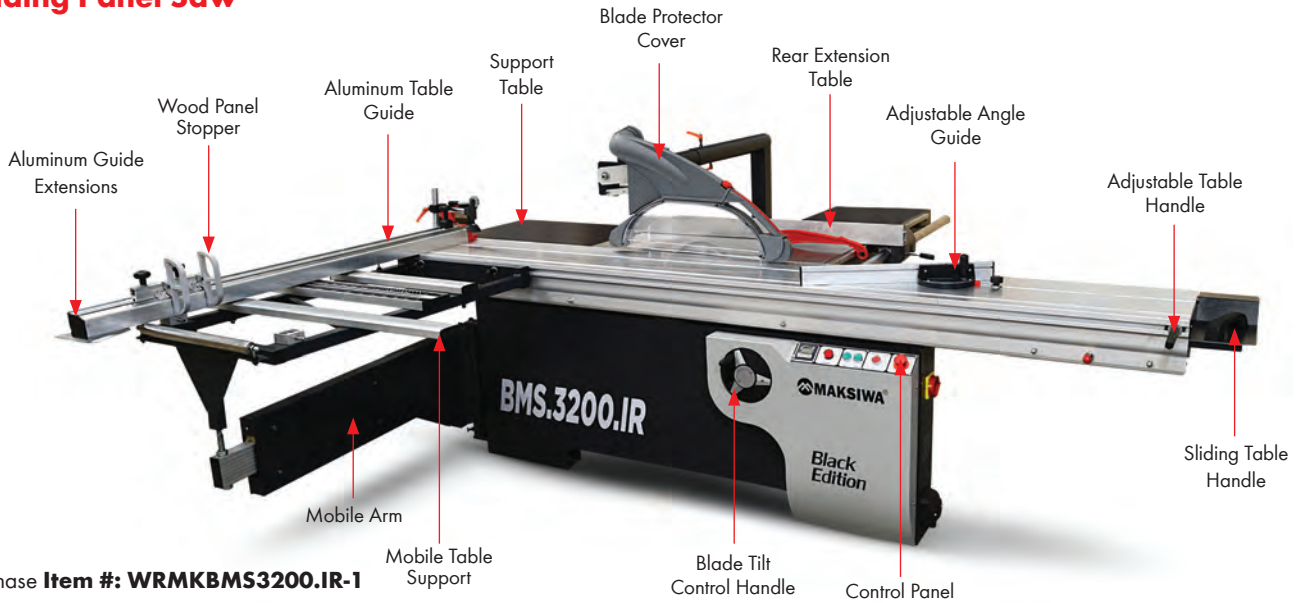
Technical Information	
Blade Dimensions	10"
Table Tilt	45° left and right
Blade Tilt	45° left
Compound Cut	Yes
Extension Table	Yes
Dual Sliding Rail	Yes
Laser Guide	Yes
Location of Bevel Control	Front
Power	2,000 Watts
Volts/Amps	110V
Weight	48lbs



- A
- B
- C
- D
- E
- F
- G
- H
- I
- J
- K
- L
- M
- N
- O
- P
- Q
- R
- S
- T
- U
- V
- W
- X
- Y

**A PANEL SAWS**

**Sliding Panel Saw**



1-Phase **Item #: WRMKBMS3200.IR-1**  
 3-Phase **Item #: WRMKBMS3200.IR-3**  
 3-Phase **Item #: WRMKBMT3200.IR-1** (Titanium version)



**TECHNICAL INFORMATION:**

- Weight: 1,470 LBS
- Machine dimensions (closed): L 133" X W 135" X H 65"
- Machine dimensions (max): L 192" X W 280" X H 65"
- Sliding table dimension: 14-3/4" X 132"
- Sliding table max travel length: 280"
- Fixed table max width: 52"
- Guide size (closed): 71"
- Guide size (max): 128"
- 1 Blade Cover
- 1 Lockable main power switch
- 2 Emergency buttons
- Max tilt: 45°
- Max depth cut: 3"
- Max cutting length: 120"

**Blade:**

- Main blade diameter: 12"
- Main blade arbor size: 1-3/16"
- Scoring blade diameter: 4-3/4"
- Scoring blade arbor size: 25/32"

**Dust collector:**

- Port 1 diameter: 4"
- Port 2 diameter: 4"
- Minimum CFM needed: 600 CFM

	<b>1 Phase, 110V</b>	<b>1 Phase, 220V</b>	<b>3 Phase, 220V</b>	<b>3 Phase, 389V</b>
<b>Main Motor</b>	<ul style="list-style-type: none"> <li>• 37.5 Amps - 5 HP</li> <li>• Non-loaded blade speed: 3,400 RPM</li> </ul>	<ul style="list-style-type: none"> <li>• 20 Amps - 5 HP</li> <li>• Non-loaded blade speed: 3,400 RPM</li> </ul>	<ul style="list-style-type: none"> <li>• 15 Amps - 5 HP</li> <li>• Non-loaded blade speed: 3,500 RPM</li> </ul>	<ul style="list-style-type: none"> <li>• 8 Amps - 3 HP</li> <li>• Non-loaded blade speed: 3,500 RPM</li> </ul>
<b>Scoring Motor</b>	<ul style="list-style-type: none"> <li>• 10 Amps - 3/4 HP</li> <li>• Non-loaded scoring blade speed: 3,400 RPM</li> </ul>	<ul style="list-style-type: none"> <li>• 5.5 Amps - 3/4 HP</li> <li>• Non-loaded scoring blade speed: 3,400 RPM</li> </ul>	<ul style="list-style-type: none"> <li>• 3 Amps - 3/4 HP</li> <li>• Non-loaded scoring blade speed: 3,500 RPM</li> </ul>	<ul style="list-style-type: none"> <li>• 3/4 HP - 1.8 Amps</li> <li>• Non-loaded scoring blade speed: 3,500 RPM</li> </ul>

**POCKET HOLE MACHINERY**

A  
B  
C  
D  
E  
F  
G  
H  
I  
J  
K  
L  
M  
N  
O  
P  
Q  
R  
S  
T  
U  
V  
W  
X  
Y

**Pocket Hole Machine**

- Clamps the stock, routes a pocket, and drills with the tap of the foot pedal
- Durable and designed for use by professional woodworkers

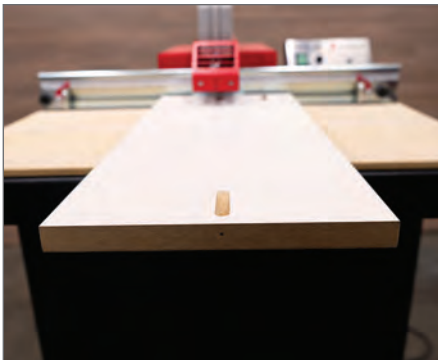
Technical Information	
Power	2,400 W - 127 Volts
Wood Thickness Limit	1/2" - 1-9/16"
Drill	High-speed steel 9/64"
Cutter	1/4"
Air Pressure	6 bar (87 Psi)
Dimensions	25-5/8" x 30" x 42-1/2"
Weight	165.4 lbs



Item # WRMKPHM



Easy to Operate

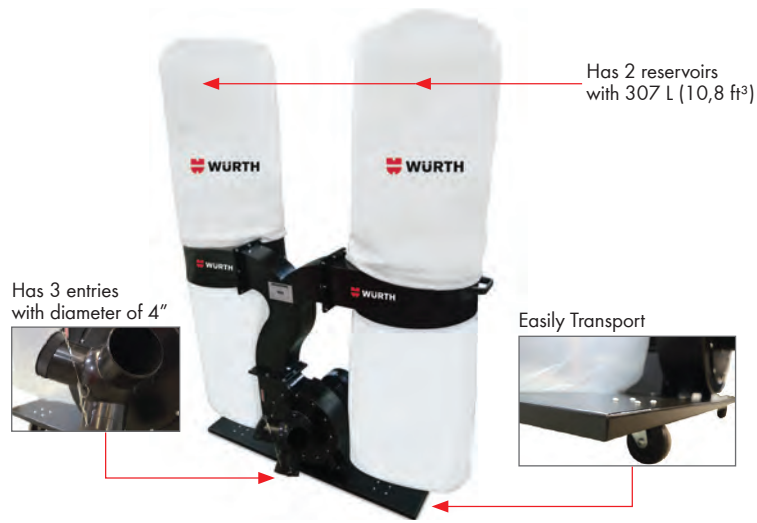
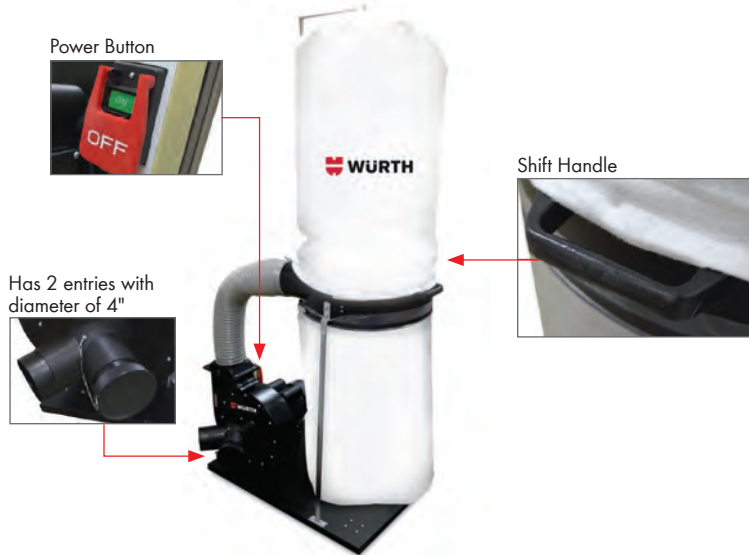


Final result



**A DUST COLLECTORS**

B  
C  
D  
E  
F  
G  
H  
I  
J  
K  
L  
M  
N  
O  
P  
Q  
R  
S  
T  
U  
V  
**W**  
X  
Y



**Dust Collectors**

**1 HP, 1 Entry**

Technical Information	
Motor	1 HP - 1 Phase
Motor Amp Draw	1 Phase - 127 V 16 A or 220 V - 8 A
Air Suction Capacity	600 cubic feet/minute
Bag Volume	60L (2.12 cubic feet)
Number of Air Intel	1 Entry
Bag Size	13" x 25"
Weight	73lbs

Item #	Description
WRMKDC1HP-110V	1HP, 1 ENTRY, 110V
WRMKDC1HP-220V	1HP, 1 ENTRY, 220V

**2 HP, 2 Entries**

Technical Information	
Motor	2 HP - 1 Phase
Motor Amp Draw	1 Phase - 127 V 24 A or 220 V - 12 A
Air Suction Capacity	1,790 ft³/min
Bag Volume	153 L (5.4 ft³)
Number of Air Intel	2 Entry
Bag Size	18 x 34 inches
Weight	106 lbs

Item #	Description
WRMKDC2HP-110V	2HP, 2 ENTRIES, 110V
WRMKDC2HP-220V	2HP, 2 ENTRIES, 220V

**3 HP, 3 Entries**

Technical Information	
Motor	3 HP - 1 Phase
Motor Amp Draw	1 Phase - 127 V 34 A or 220 V - 12 A
Air Suction Capacity	2,760 ft³/min
Bag Volume	307 L (5.4 ft³)
Number of Air Intel	3 Entry
Bag Size	18 x 34 inches
Weight	130 lbs

Item #	Description
WRMKDC3HP-110V	3HP, 3 ENTRIES, 110V
WRMKDC3HP-220V	3HP, 3 ENTRIES, 220V

# DUST COLLECTORS



## Dust Collectors

### 5 HP, 5 Entry

Technical Information	
Motor	5 HP - 3 Phase
Height	90-5/32 inches
Air Suction Capacity	3,001 ft <sup>3</sup> /min
Bag Volume	400 L (14.13 ft <sup>3</sup> )
Number of Air Intel	5 Entries
Bag Size	23-5/8 x 39-3/8 inches
Weight	242.5 lbs

Item #	Description
WRMKDC5HP-220V	5HP, 5 ENTRIES, 3PH 220V

## Dust Bags

### 1 HP Dust Collectors

Item #	Description
WRMKTOPBAG1-L	Top Dust Bag, Cloth
WRMKBOTTOMBAG1-NL	Bottom Dust Bag, Cloth
WRMKPLASTICBAG1	Bottom Dust Bag, Plastic

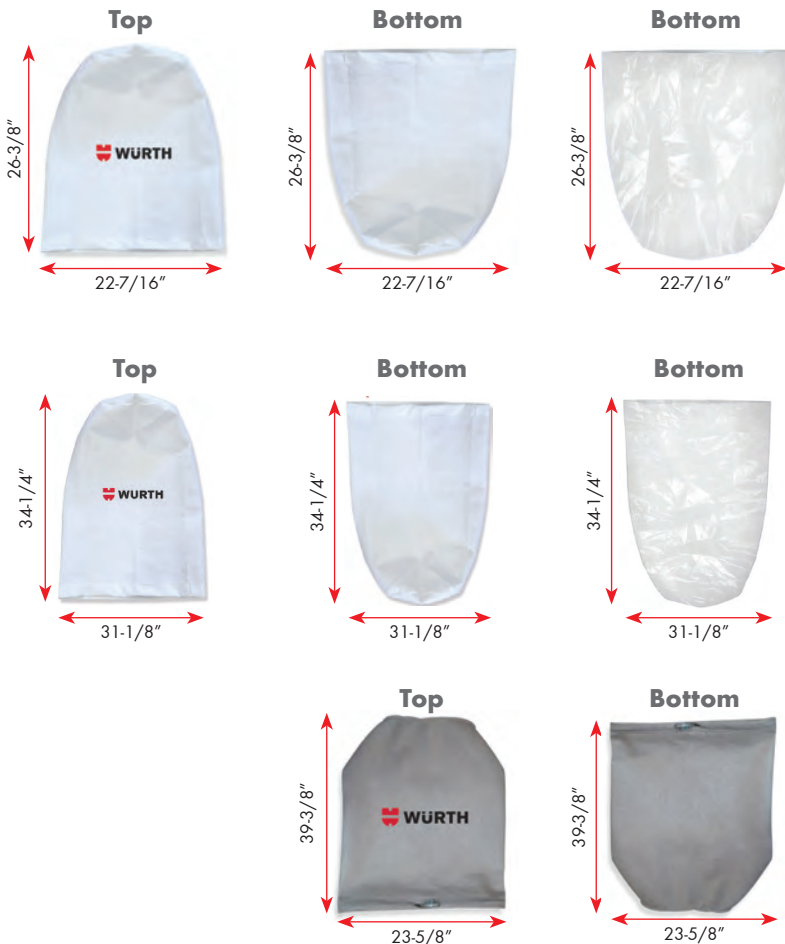
### 2 & 3 HP Dust Collectors

Item #	Description
WRMKTOPBAG23-L	Top Dust Bag, Cloth
WRMKBTMBAG23-NL	Bottom Dust Bag, Cloth
WRMKPLASTICBAG23	Plastic Dust Bag, Plastic

### 5 HP Dust Collectors

Item #	Description
WRMKTOPBAG5-L	Top Dust Bag, Cloth
WRMKBOTTOMBAG5-NL	Bottom Dust Bag, Cloth

-L = Würth logo  
 -NL = Plain bag



A  
B  
C  
D  
E  
F  
G  
H  
I  
J  
K  
L  
M  
N  
O  
P  
Q  
R  
S  
T  
U  
V  
W  
X  
Y

**A DOWNDRAFT TABLES**

**Downdraft Sanding Tables, Non-Metallic Sanding**



**Standard Duty Tables**

- Eliminate airborne dust and contaminants while sanding
- Ideal for use with vacuum or non-vacuum tools.
- Dual filtration – accepts MERV 8 pleated paper filters
- Each model also includes one pre-filter blanket
- Rhino Linings® coated tabletop surface is durable and anti-slip
- 5" diameter casters allow easy maneuverability of table
- Two handy storage compartments for tools and accessories
- Two convenient dust-tight electric outlet

NOTE: Item ships direct from manufacturer with freight charges; Approximately 2 week lead time (Clarence, NY)



DB64201



DB64700

Item #	Motor HP	Volts/Hz	Phase	Air Flow	Current Amps	Working Area Width	Working Area Length	Height	Shipping Weight
DB64201	1	115/60	1	3,000 cfm	13	33"	41"	36"	275 lb.
DB64699	1	115/60	1	3,000 cfm	13	33"	60"	36"	285 lb.
DB64700	1	115/60	1	3,000 cfm	13	36"	72"	36"	365 lb.
DB64205	1	230/60	1	3,000 cfm	7	33"	41"	36"	275 lb.
DB64206	1	230/60	1	3,000 cfm	7	33"	60"	36"	285 lb.
DB64207	1	230/60	1	3,000 cfm	7	36"	72"	36"	365 lb.
DB64208	1	230/60	3	3,000 cfm	4	33"	41"	36"	275 lb.
DB64209	1	230/60	3	3,000 cfm	4	33"	60"	36"	275 lb.
DB64210	1	230/60	3	3,000 cfm	4	36"	72"	36"	365 lb.
DB63208	1	460/60	3	3,000 cfm	2	33"	41"	36"	275 lb.
DB63209	1	460/60	3	3,000 cfm	2	33"	60"	36"	285 lb.
DB63210	1	460/60	3	3,000 cfm	2	36"	72"	36"	365 lb.
DB64493	1	220/50	1	3,000 cfm	13	33"	41"	36"	275 lb.
DB64490	1	220/50	1	3,000 cfm	13	33"	60"	36"	285 lb.
DB64492	1	220/50	1	3,000 cfm	13	36"	72"	36"	365 lb.

Additional Specifications: Sound Level 72 dB(A)

# DOWNDRAFT TABLES

## Downdraft Sanding Tables, Non-Metallic Sanding

### Heavy Duty Table

- Eliminate airborne dust and contaminants white sanding
- Includes eight 20" x 25" paper filters and four 16" x 25" paper filters
- Dual filtration – pre-filter blanket and MERV 8 paper filters
- Up to 70% more filter area than competitive brands
- High quality reverse incline blowers. Heavy duty TEFC twin electric motors
- Base unit is all-metal construction with CNC milled 3/4" MDF tabletop
- Anti-static, anti-slip mat (64970) is included, and available separately. Optional 5" diameter casters also available.

NOTE: Item ships direct from manufacturer with freight charges; Approximately 2 week lead time (Clarence, NY)



DB64657



Additional Specifications: Sound Level 75 dB(A)

Item #	Motor HP	Volts/Hz	Phase	Air Flow	Current Amps	Working Area Width	Working Area Length	Height	Shipping Weight
DB64657	1.5 (Dual)	115/60	1	7,000 cfm	15	48"	96"	37"	670 lb.

## Downdraft Table Replacement Filters



DB64672

### Filters for Standard Duty Tables

Item #	Filter Description	Dimensions (W x L x D)	Filter Qty in Table (33" x 41" and 3" x 60")	Filter Qty in Table (36" x 72")
DB64671	Pleated Panel Filter	20" x 25" x 2"	2	3
DB64672	Class I Non-Flammable	20" x 25" x 2"	2	3
DB64985	Pre-Filter Blanket	30" x 39" x 1/2"	1	N/A
DB64986	Pre-Filter Blanket	30" x 59" x 1/2"	N/A	1



DB64700

### Filters for Heavy Duty Tables

Item #	Filter Description	Dimensions (W x L x D)	Filter Qty in Table DB64657
DB64658	Pleated Panel Filter	20" x 25" x 1"	8
DB64659	Pleated Panel Filter	16" x 25" x 1"	4
DB64987	Pre-Filter Blanket	48" x 96" x 1/2"	1

A  
B  
C  
D  
E  
F  
G  
H  
I  
J  
K  
L  
M  
N  
O  
P  
Q  
R  
S  
T  
U  
V  
W  
X  
Y

**A POCKET HOLE MACHINERY**



**Foreman Professional-Grade Pocket-Hole Machine**



- One pull of the handle starts the motor, clamps your workpiece, and drills perfect pocket holes
- Powerful 110-volt motor
- Comes with 3/8" hex shank drill bit (QUIK-BIT)
- Works with materials from 1/2" to 1-1/2" thick (12-38mm)
- Adjustable fence to position workpiece for precise pocket depth
- Two spring-loaded stops for repeatable accuracy
- Clear markings in the table that make it easy to position the fence
- Compatible with the Micro-Pocket™ Bit and Heavy-Duty Bit
- Lightweight (20 lbs.) yet durable construction
- Built-in storage tray and dust collection attachment

For Kreg Screws, see Section P

Item #	Description
KRDB210	Foreman Pocket Hole Machine
KRDB210-HDB	HD Replacement Bit Only
KRDB210-HDBB	HD Drill Bit with Drill Guide

B  
C  
D  
E  
F  
G  
H  
I  
J  
K  
L  
M  
N  
O  
P  
Q  
R  
S  
T  
U  
V  
W  
X  
Y



**Pocket-Hole Machinery Single-Spindle, Electric & Pneumatic**



- Industrial grade motor for high production shops
- Convenient swing stops allows positioning two pocket-holes across rails of various widths by placing it against one stop, drilling the hole, then repeating with the rail against the other stop
- Cycle time of less than one second
- For drilling pocket-holes in panels, the stops swing out of the way
- Fence adjusts from the topside of the machine allowing you to center a screw in material from 1/2" up to 1-1/2" thick
- Hold down clamp adjusts to allow materials up to 4" thick to be drilled
- Quick drill bit changes with the included allen wrench - change out can be completed in less than 60 seconds
- KJDK1100TP has all the same features as the KJDK1100FP but in a smaller frame - allowing it to be built into your workbench or relocated from time to time

	Item #	Type	Dimensions	Table Height	HP	Power Requirements	Weight
A	KRDK1100FE	Electric, Free Standing	50"H x 24"W x 24"D	40"	1-1/2	20 amp, 110v	176 lbs.
B	KRDK1100FP	Pneumatic, Free Standing	50"H x 24"W x 24"D	40"	1-1/2	8 cfm at 120 psi (50% duty cycle)	138 lbs.
C	KRDK1100TP	Pneumatic, Bench Mounted	19"H x 24"W x 24"D	8"	1-1/4	8 cfm at 120 psi (50% duty cycle)	77 lbs.

Item #	Description
KRDKDB	3/8" x 6-3/4" Replacement Bit, RH

For Kreg Screws, see Section P



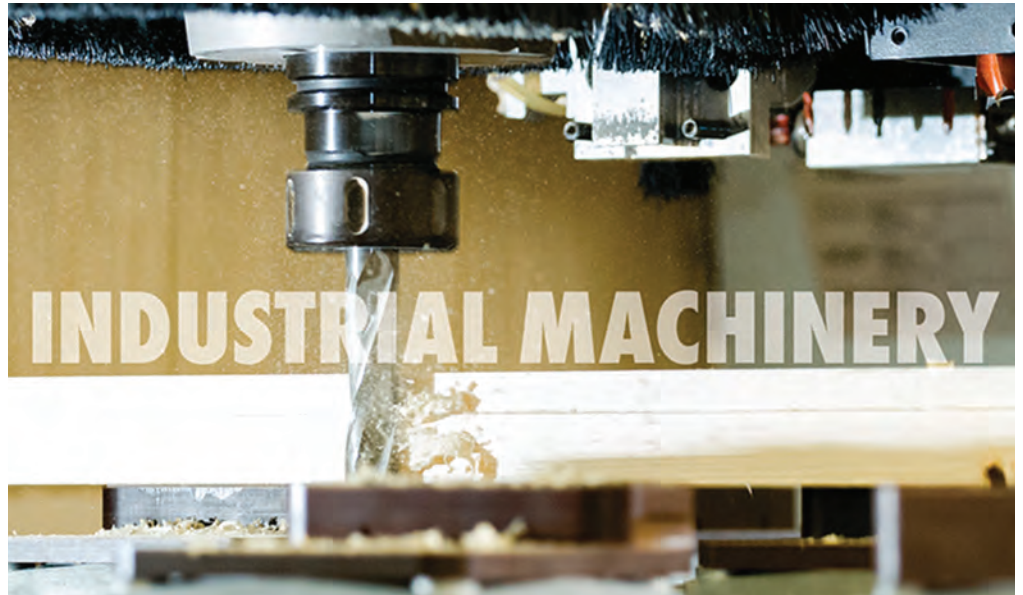
## WE ARE A Full-line Machinery Dealer for the Woodworking industry!

WurthMachinery.com is a division of Würth Louis and Company a leading provider of quality products to the woodworking industry. With machinery vendors like SCM, CNC Factory, SawStop, Cantek America, COIMA and Superfici America, Würth Louis and Company provides professional woodworkers with one source for all the products they use, need and want.

We are much more than simply a distributor of woodworking supplies and machines. Würth Louis and Company continually strives to make your customer experience the utmost in convenience:

- 24/7 online ordering
- Our highly trained service representatives are ready to answer your calls
- Quick shipping from our extensive warehouse of in-stock products
- Credit options: in house financing\*, leasing or installment payments \*on approved credit

Würth Louis and Company continues to be a proven source for cabinetmakers, woodworkers and for architects and designers that specify our products.



Visit [wurthmachinery.com](http://wurthmachinery.com)  
for all your  
machinery & service needs!



**SAW STOP AWARD WINNING SAFETY SYSTEM**

# AWARD WINNING SAFETY SYSTEM



- Award winning safety system
- Detects the difference between wood and fingers
- Patented technology
- Revolutionizing table saw safety!

## THE CONSEQUENCES ARE LIFE CHANGING

**A saw injury is traumatic. The consequences can last a lifetime.**

Reality: Accidents happen, and when they occur, they have a tremendous impact on an employee's health as well as the employer's bottom line. Many accidents associated with table saws result in amputations that require vast monetary payouts by employers.

- Extreme pain
- Permanent loss of use
- Loss of income-earning abilities
- Loss of ability to pursue hobbies

## THE PROBLEM IS REAL!

- **1 table saw injury every 9 minutes**
- **10 table saw amputations every day**

- OSHA estimates one amputation will cost a company at least **\$101,467**
- Operating at a 10% net profit margin, a company must earn an additional **\$1,014,670** in sales revenue to cover this cost.
- **\$48,318** of the OSHA estimate is made up of Direct costs, of which a certain amount may be covered by insurance (varies by plan).
- **\$53,149** of the OSHA estimate is made up of Indirect costs, none of which are covered by insurance. These cost include but are not limited to work stoppages, wages outside worker's compensation, employee training and replacement, lost productivity, and property replacement.
- **\$ ?????** Unknown increases in insurance premiums, unannounced OSHA inspections and fines, litigation, court settlements and attorney fees.

## SAWSTOP FAQ

### Frequently Asked Questions

#### How does it work?

The safety system induces an electrical signal onto the blade and then monitors that signal for changes. When something conductive (i.e. the human body) comes in contact with the blade the change in the electrical signal is detected and the blade shuts down in milliseconds.



#### How long does it take to change from a standard brake to a dado brake?

The brake cartridge is a single unit that requires no tools to insert and remove. It's easy to change cartridges while you are changing blades, adding virtually no time to the task.

**Can the saw be used to cut conductive materials?** Customers do need the ability to cut conductive materials sometimes. When that need arises they can simply operate the saw in Bypass Mode which deactivates the safety system and will allow them to cut materials such as aluminum and other conductive materials.

**What happens if the blade comes in contact with a nail or staple in the wood?** Generally, the safety system will not activate when a staple or nail is cut. Although conductive, these objects are not large enough to cause the safety system to activate unless they are grounded to the table or operator when they contact the blade.

**What has to be done if the safety system's brake cartridge is activated?** If the safety system is activated the customer will need to change the blade and replace the brake cartridge (stock items for Würth Louis and Company). Replacing the brake cartridge is simple and takes less than five minutes.

**Can the blade be reused if the safety system brake is activated?** When the safety system is activated it will generally damage one to two teeth on the blade. It is usually cost-effective to have high-quality blades repaired by a qualified blade sharpening service, less expensive blades should be discarded.

**Can I use any 10" standard blade or 8" dado set with a Sawstop Saw?** Any standard steel blade with steel or carbide teeth can be used. You should not use non-conductive blades or blades with non-conductive hubs or teeth. They will prevent the SawStop safety system from applying the electrical signal on the blade that is required to sense skin contact. Steel blades and dado sets with a lacquer finish or other coating on the teeth should not be used as the coating may inhibit or slow the speed at which the safety system detects skin contact.

**Does a Sawstop Cabinet Saw include a power cord?** The Industrial Cabinet Saw (ICS) must be permanently connected to the building electrical system in accordance with National Electric Code. Consult a licensed electrician if you are unsure how to properly connect the saw to your building's electrical system.

The Professional Cabinet Saw (PCS) does come with a power cord; it is a NEMA -6-15 and is 2 meters long.

The Contractor Saw (CNS) comes with a standard power cord.

#### Do I need to use a blade guard with a Sawstop Saw?

Yes, SawStop strongly recommends that you use a blade guard whenever possible.

#### Can I get a serious injury using a Sawstop Saw?

In the vast majority of cases, coming in contact with the spinning blade will result in a minor cut.

However, if your hand moves into the blade at a very high speed, it is possible for you to receive a serious injury.

A

B

C

D

E

F

G

H

I

J

K

L

M

N

O

P

Q

R

S

T

U

V

W

X

Y

**A CONTRACTOR SAW, 1.75 HP**



**1.75 HP Contractor Saw (CNS)  
10" Contractor Saw**

**Standard features include:**

- SawStop's patented safety system
- Riving knife reduces the risk of kickback
- Diagnostic system ensures the saw is ready to respond
- Micro Blade Guard

NOTE: Plugs into a standard 120V outlet.

SWSCNS175-TGP52-4

Item #	Description
SWSCNS175-SFA30-2	1.75HP, 115/230V, 60Hz. Includes: 30" aluminum extrusion fence system
SWSCNS175-TGP36-4	1.75HP, 115/230V, 60Hz. Includes: 36" Professional T-Glide Fence System Assembly including table
SWSCNS175-TGP52-4	1.75HP, 115/230V, 60Hz. Includes: 52" Professional T-Glide Fence System Assembly including table
<b>Additional Accessories</b>	
SWSTSG-DC	Dust Collection Blade Guard
SWSTSA-ODC	Overarm Dust Collection (Requires WXTSG-DC & WXCNS-DCP)
SWSMBCNS000	CNS Mobile Base (Cannot use with out-feed table)
SWSCNSCIWA	Cast Iron Wing Assembly (Pair)
SWSTSBBC-10R2	Standard Brake Cartridge
SWSTSDC-8R2	Dado Brake Cartridge
SWSTSIISLD	Standard Lockdown Insert, Zero Clearance
SWSTSIDLD	Dado Lockdown Insert, Zero Clearance
SWSCNS-JSC	Contractor Saw Mobile Cart
SWSCNS-DCP	Dust Collection Panel - 2.5" & 4" Connections
SWSCNS07148	40 Tooth Combo Blade, Professional Series
SWSCB104184	60 Tooth Combo Blade, Professional Series
SWSBTS-R-40ATB	40 Tooth Combo Blade, Titanium Series
SWSBTS-P-80HATB	80 Tooth Saw Blade, Titanium Series

**JOBSITE SAW, 1.50 HP**



**Weighs only 84 lbs. without stand,  
113 lbs. with stand**

**1.50 HP Jobsite Saw  
(JSS-120A60)  
10" Jobsite Saw**



**Standard features include:**

- SawStop's patented safety system
- Ground-breaking elevation system raises or lowers the blade in just one turn of the handwheel, other saws require over 25 turns
- Tilt the blade easily and quickly to your ideal angle in 1 degree increments, fine tune between degrees with the Tilt Adjust
- Fence slides smoothly and locks firm with the innovative ErgoLock, the T-style design minimizes deflection to increase accuracy
- Attach the quick-change low fence for safer rip cutting of smaller workpieces
- Includes Active Dust Collection Blade Guard protects against kickback and uses blade turbulence to collect above-table dust
- Advanced under-table shrouding maximizes dust extraction for a cleaner, safer work area
- Over 24.5" deep table surface provides more room and support for large workpieces and rip cuts up to 25.5" wide
- Onboard accessory storage drawer

NOTE: Plugs into a standard 120V outlet.



Shown in stowed position

Item #	Description
SWSJSS-12A60	1.5HP, 1ph, 120VAC, 60Hz. Includes: Jobsite mobile cart and fence system
<b>Additional Accessories</b>	
SWSTSBC-10R2	Standard Brake Cartridge
SWSTSDC-8R2	Dado Brake Cartridge
SWSTSI-SJB	Standard Lockdown Insert, Zero Clearance
SWSTSI-DJB	Dado Lockdown Insert, Zero Clearance
SWSCNS07148	40 Tooth Combo Blade, Professional Series
SWSCB104184	60 Tooth Combo Blade, Professional Series
SWSBTS-R-40ATB	40 Tooth Combo Blade, Titanium Series
SWSBTS-P-80HATB	80 Tooth Blade, Titanium Series

A  
B  
C  
D  
E  
F  
G  
H  
I  
J  
K  
L  
M  
N  
O  
P  
Q  
R  
S  
T  
U  
V  
W  
X  
Y

**A PROFESSIONAL CABINET SAW, 1.75 HP**



**1.75 HP Professional Cabinet Saw (PCS175)  
10" Professional Cabinet Saw**



**Standard features include:**

- SawStop's patented safety system
- Riving knife reduces the risk of kickback
- Diagnostic system ensures the saw is ready to respond
- Micro Blade Guard
- Under the table shroud

NOTE: Plugs into a standard 120V outlet

SWSPCS175 Series pictured with Dust Collection Blade Guard and Overarm Dust Collection. (sold separately)

Item #	Description
SWSPCS175-PFA30-2	1.75HP, 120V, 60Hz. Includes: 30" Premium Fence Assembly
SWSPCS175-TGP236-4	1.75HP, 120V, 60Hz. Includes: 36" Professional T-Glide Fence System Assembly including table
SWSPCS175-TGP252-4	1.75HP, 120V, 60Hz. Includes: 52" Professional T-Glide Fence System Assembly including table

Additional Accessories	
Item #	Description
SWSTSG-DC	Dust Collection Blade Guard
SWTSA-ODC	Overarm Dust Collection (Requires WXTSG-DC, sold separately)
SWSMBPCS000	PCS Mobile Base includes: (2) 360° Swivel Casters and (2) Rigid Casters (Cannot use with out-feed table)
SWSMBPCIND	ICS Mobile Base, Industrial Version includes (4) 360° Swivel Casters (Includes adapter for PCS use)
SWSTBC-10R2	Standard Brake Cartridge
SWSTSDC-8R2	Dado Brake Cartridge
SWSTSISLD	Standard Lockdown Insert, Zero Clearance
SWSTSIDL	Dado Lockdown Insert, Zero Clearance
SWSBTS-R-40ATB	40 Tooth Combo Blade, Titanium Series
SWSBTS-P-80HATB	80 Tooth Saw Blade, Titanium Series

## PROFESSIONAL CABINET SAW, 3.0 HP

### 3.0 HP Professional Cabinet Saw (PCS31230) 10" Professional Cabinet Saw



**Standard features include:**

- SawStop's patented safety system
- Riving knife reduces the risk of kickback
- Diagnostic system ensures the saw is ready to respond
- Dust Collection Blade Guard
- 99% Dust Collection

NOTE: Watch your wiring!

Does not plug into a standard 120V outlet



SWSPCS31230 Series with Overarm Dust Collection.  
(sold separately)

Item #	Description
SWSPCS31230-PFA30	3.0HP, 220V, 60Hz. Includes: 30" Premium Fence Assembly w/table.
SWSPCS31230TGP2364	3.0HP, 220V, 60Hz. Includes: 36" Professional T-Glide Fence System Assembly including table
SWSPCS31230TGP2524	3.0HP, 220V, 60Hz. Includes: 52" Professional T-Glide Fence System Assembly including table

Additional Accessories	
Item #	Description
SWSTSA-ODC	Overarm Dust Collection
SWSMBPCS000	PCS Mobile Base includes: (2) 360° Swivel Casters and (2) Rigid Casters (cannot use with out-feed table)
SWSMBPCIND	ICS Mobile Base, Industrial Version includes (4) 360° Swivel Casters (Includes adapter for PCS use)
SWSTBC-10R2	Standard Brake Cartridge
SWSTSDC-8R2	Dado Brake Cartridge
SWSTSISLD	Standard Lockdown Insert, Zero Clearance
SWSTSIDL	Dado Lockdown Insert, Zero Clearance
SWSBTS-R-40ATB	40 Tooth Combo Blade, Titanium Series
SWSBTS-P-80HATB	80 Tooth Saw Blade, Titanium Series

A  
B  
C  
D  
E  
F  
G  
H  
I  
J  
K  
L  
M  
N  
O  
P  
Q  
R  
S  
T  
U  
V  
W  
X  
Y

**A INDUSTRIAL SAW VS. PROFESSIONAL CABINET SAW**
**B WHAT'S THE DIFFERENCE?**

**C The Industrial Saw vs. The Professional Cabinet Saw**
**D How do they differ and which is the right saw for you?**
**E Industrial Includes:**

200+ more pounds of Iron and Steel for heavy duty cycles, maximum stability and ultimate precision.

- Thicker Cast Iron Table for added stability
- Deeper Cast Iron Table (30" vs 27"), allowing for about 2.5" more room behind the blade
- Thicker gauge steel in the cabinet, rails, tube and fence
- Larger and deeper fence. Tracks smooth and locks down solid with no deflection
- Massive Cast Iron Trunnion delivers smooth, precise operation year after year
- Bigger Hand Wheels for easy adjustment
- Larger metal motor access door for quick access
- Second access door for easy maintenance

**F Industrial Includes:**

Enhanced safety features.

- Industrial Lock-out/Tag-out switch
- Interrupt switches on all the access doors disable saw when open

**G Industrial Is:**

Most Powerful 10" Saw.

- Offers the widest range of motor and power options, including an available 7.5hp motor. No other production 10" cabinet saw offers that much power!

**H Industrial Includes:**

3 additional years of motor warranty.

- For a total of 5 years motor warranty





## INDUSTRIAL CABINET SAW, 3, 5 OR 7.5 HP

### 3, 5 or 7.5 HP Industrial Cabinet Saw (ICS) 10" Industrial Table Saw

**Standard features include:**

- SawStop's patented safety system
- Riving knife reduces the risk of kickback
- Diagnostic system ensures the saw is ready to respond
- Fence system
- Dust Collection Blade Guard
- 99% Dust Collection
- Lock Out/Tag Out
- Door Interlocks
- Below-Table Dust Shroud

NOTE: Watch your wiring!  
All ICS Saws must be hard wired

**Mobile Base**

Need mobility in your shop with your saw?  
Add the Mobile Base to your ICS! Three quick pumps to the foot pedal raises the saw via a hydraulic piston, and four 360° casters move in any direction.



Item #
SWSMBIND000



ICS pictured with Fence, Rails, Extension Table, (Mobile Base and Overarm Dust Collection sold separately).

Item #	Phase	Voltage	Amps	Rails & Extension Table
<b>3 Horsepower Saws</b>				
SWSICS31230-36-4	1	230v	13	36"
SWSICS31230-52-4	1	230v	13	52"
<b>5 Horsepower Saws</b>				
SWSICS51230-36-4	1	230v	20.5	36"
SWSICS51230-52-4	1	230v	20.5	52"
SWSICS53230-36-4	3	230v	13	36"
SWSICS53230-52-4	3	230v	13	52"
SWSICS53480-36-4	3	480v	6.5	36"
SWSICS53480-52-4	3	480v	6.5	52"
<b>7.5 Horsepower Saws</b>				
SWSICS73230-36-4	3	230v	17.8	36"
SWSICS73230-52-4	3	230v	17.8	52"
SWSICS73480-36-4	3	480v	9	36"
SWSICS73480-52-4	3	480v	9	52"

**Additional Accessories**

Item #	Description
SWSSBC10001	Standard Brake Cartridge for CB Models ( <b>pre-2008 models</b> )
SWSDBC8001	Dado Brake Cartridge for CB Models ( <b>pre-2008 models</b> )
SWSTBC-10R2	Standard Brake Cartridge for ICS Models
SWSTSDC-8R2	Dado Brake Cartridge for ICS Models
SWSTSISLD	Standard Lockdown Insert, Zero Clearance
SWSTSIDLD	Dado Lockdown Insert, Zero Clearance
SWSCNS07148	40 Tooth Combo Blade, Professional Series
SWSCB104184	60 Tooth Combo Blade, Professional Series
SWSBTS-R-40ATB	40 Tooth Combo Blade, Titanium Series
SWSBTS-P-80HATB	80 Tooth Saw Blade, Titanium Series

A  
B  
C  
D  
E  
F  
G  
H  
I  
J  
K  
L  
M  
N  
O  
P  
Q  
R  
S  
T  
U  
V  
W  
X  
Y

A  
B  
C  
D  
E  
F  
G  
H  
I  
J  
K  
L  
M  
N  
O  
P  
Q  
R  
S  
T  
U  
V  
W  
X  
Y

## SAWSTOP ACCESSORIES

### Sawstop Table Saw Accessories



#### Folding Outfeed Table

- Engineered from steel for maximum carrying capacity, the outfeed table is sized to match the width of your cast iron table and wings
- The table is designed for easy adjustability and maximum glide, with strategically-placed rollers for smooth operation
- Quickly stows for an easy move
- Compatible with: 36" and 52" versions of CNS/PCS/ICS Saws, All Mobile Bases

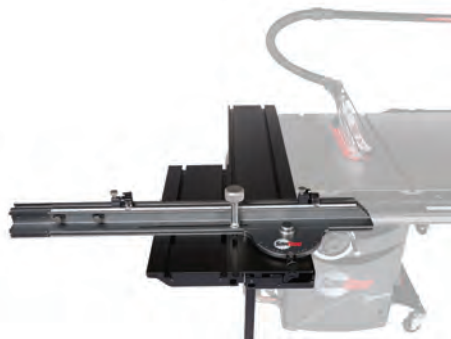
<b>Item #</b>
SWSTSA-FOT



#### Floating Overarm Dust Collection Guard

- This heavy-duty 4" overarm is designed to provide operator protection while removing table-top dust in both standard and non-through cuts
- The transparent blade cover is engineered to lift easily for quick blade access
- Rigid steel overarm swings smoothly away and back into operating position.
- Compatible with: 36" and 52" versions of CNS/PCS/ICS Saws, ICS Mobile Base

<b>Item #</b>
SWSTSG-FDC



#### Sliding Crosscut Table

- Micro-adjust for detail cuts, and crosscut full sheets with the 55" travel and 48" crosscut capacity
- Fence is at least 15% larger than typical crosscut sliders, spanning 43" and extending past 58"
- The oversize fence miter turns at the twist of a single knob, and measures to a full 60 degrees
- Easily slide the fence in for blade proximity, and choose a flush or "maximum throw" installation to fit your shop and space requirements
- Large flip-stops with scale and magnified lenses help ensure accurate, repeat cuts every time
- Compatible with: CNS, PCS/ICS Saws

<b>Item #</b>
SWSTSA-SA48



#### Large Sliding Table

- Engineered for the demands of the Industrial woodshop, the Large Format Sliding Table ensures easy, repeatable operation
- Cut sheet goods and larger stock easily, with maximum control and sure measurement
- A rigid steel frame and 14 sealed, steel bearings ensure a reliable, smooth glide
- Max adjustability affords both traditional and Euro configurations for a max crosscut of 70"
- Compatible with: CNS Series saws with CIWA Wing Assembly, all PCS/ICS Saws, No Mobile Bases

<b>Item #</b>
SWSTSASA70-2

**SECTION X - TABLE OF CONTENTS**

**Section X Contents:**

- Karran Stainless Steel Sinks.....2-9
- Karran Quartz Sinks..... 10-15
- Karran Acrylic Sinks..... 16
- Karran Vitreous China Sinks..... 17-21
- Karran Faucets..... 22-23
- Karran Sink Accessories..... 24-28
- Bally Block Wood Countertops..... 29-30
- Durasein Solid Surface..... 31-33
- 909 Laminate..... 34
- Formica Everform and Laminate..... 35-37
- Pionite Laminate..... 38
- Nevamar Laminate..... 39
- Panolam Laminate, Duet, FRP & FRL.. 40-43
- Richwood PolyBak, Dry Erase..... 44



A  
B  
C  
D  
E  
F  
G  
H  
I  
J  
K  
L  
M  
N  
O  
P  
Q  
R  
S  
T  
U  
V  
W  
X  
Y



**A WORKSTATION SERIES**

**Undermount Stainless Steel Workstation Sink Kits**

- Sinks have built-in ledges and included accessories which makes this sink series the most functional workspace
- Designed to be undermounted into all granite, quartz and solid surface countertops
- Made from T304, 16-gauge stainless steel
- 18/10 chrome-nickel makeup guards against oxidation and rust
- Finish: Soft Satin Brushed Stainless Steel
- Kit includes: (1) sink, (1) faucet, (1) wood cutting board, (1) basket strainer, (1) bottom grid, (1) colander plate, (1) roll up drying rack and (1) colander



A



B

**Kit includes:**

**Faucet**

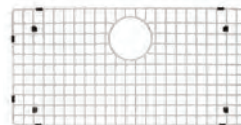
(22" tall single lever stainless steel commercial faucet)



**Wood cutting board**



**Basket strainer**



**Bottom grid**



**Colander plate**



**Roll up drying rack**



**Colander**

	Item #	Style	Outside Dimensions	Inside Bowl Dimensions
<b>A</b>	KARWS45PK2	Large Single Bowl w/Apron	33"x20-5/8" / 9"Apron Depth	30"x17"x10"
<b>B</b>	KARWS37PK2	Large Single Bowl	32"x19"	30"x17"x10"

NOTE: All dimensions are approximate to +/- 1/4" as listed in this catalog. Karran states that no cutting or modifying of the countertop should occur before having the sink on hand.

**EDGE 500 SERIES**



**Seamless Undermount Stainless Steel Sinks**

- Designed to be seamlessly undermounted into all laminate and solid surface countertops
- Designed to be flush mounted into all granite and quartz countertops
- Handmade construction from T304, 18-gauge stainless steel
- 18/10 chrome-nickel makeup guards against oxidation and rust



A



B



C



D



E



F



ADA Compliant



G



H



I



ADA Compliant



J



K

	Item #	Style	Outside Dimensions	Inside Bowl Dimensions
A	KARE560R	Large/Small Bowl	32"x21-1/2"	Left: 17"x19"x9" / Right: 11"x16"x9"
B	KARE560L	Small/Large Bowl	32"x21-1/2"	Left: 11"x16"x9" / Right: 17"x19"x9"
C	KARE550	Double Equal Bowl	33-7/8"x19-1/2"	Left: 15"x17"x9" / Right: 15"x17"x9"
D	KARE540	Large Single Bowl	32-1/2"x19-1/2"	30"x17"x9"
E	KARE528	Extra Deep Laundry Bowl	23-1/2"x19-1/2"	21"x17"x14"
F	KARE525	ADA Single Bowl	23-1/2"x19-1/2"	21"x17"x5-1/2"
G	KARE520	Single Bowl	23-1/2"x19-1/2"	21"x17"x9"
H	KARE510	Bar/Prep Bowl	15-1/2"x19-1/2"	13"x17"x9"
I	KARE505D	ADA Vanity Bowl	18-1/8"x15-7/8"	15-3/4"x13-3/8"x5-1/2"
<b>Waste Chutes</b>				
J	KAREW09	Waste Chute	11-1/2"x3"	9"x3"
K	KAREW07	Waste Chute	9-1/2"x3"	7"x3"

NOTE: All dimensions are approximate to +/- 1/4" as listed in this catalog. Karran states that no cutting or modifying of the countertop should occur before having the sink on hand.

A  
B  
C  
D  
E  
F  
G  
H  
I  
J  
K  
L  
M  
N  
O  
P  
Q  
R  
S  
T  
U  
V  
W  
X  
Y

**A** **EDGE 400 SERIES**

**B** **Seamless Undermount Stainless Steel Sinks**



- Designed to be seamlessly undermounted into all laminate and solid surface countertops
- Designed to be flush mounted into all granite and quartz countertops
- Handmade construction from T304, 18-gauge stainless steel
- 18/10 chrome-nickel makeup guards against oxidation and rust



**A**



**B**



**C**



**D**

	Item #	Style	Outside Dimensions	Inside Bowl Dimensions
<b>A</b>	KARE440	Large Single Bowl	31-1/2"x18"	29-1/4"x15-1/2"x8-3/4"
<b>B</b>	KARE420	Single Bowl	24"x18"	21-1/4"x15-1/2"x9"
<b>C</b>	KARE415	ADA Bar/Prep Bowl	16-1/4"x18-1/4"	13-3/4"x15-3/4"x6"
<b>D</b>	KARE410	Bar/Prep Bowl	16-1/4"x18-1/4"	13-3/4"x15-3/4"x8-1/2"

NOTE: All dimensions are approximate to +/- 1/4" as listed in this catalog. Karran states that no cutting or modifying of the countertop should occur before having the sink on hand.

**EDGE 300 SERIES**

**Seamless Undermount Stainless Steel Sinks**



- Designed to be seamlessly undermounted into all laminate and solid surface countertops
- Designed to be flush mounted into all granite and quartz countertops
- Handmade construction from T304, 18-gauge stainless steel
- 18/10 chrome-nickel makeup guards against oxidation and rust



A



B



C



D



E



F



G



H



I



ADA Compliant



J



ADA Compliant



K



ADA Compliant

	Item #	Style	Outside Dimensions	Inside Bowl Dimensions
A	KARE36OR	Large/Small Bowl	32-3/8"x21-1/8"	Left: 14-3/4"x18-3/4"x8-3/8" / Right: 13-3/4"x16-1/4"x6-1/4"
B	KARE350	Double Equal Bowl	32-3/8"x19"	Left: 14-1/8"x16-1/2"x8-1/2" / Right: 14-1/8"x16-1/2"x8-1/2"
C	KARE340	Large Single Bowl	30-3/4"x18-7/8"	28-1/4"x16-1/4"x9"
D	KARE330	D-Shape Single Bowl	23-3/8"x21-1/8"	21-1/8"x18-3/4"x9"
E	KARE320	Single Bowl	24-1/8"x18-1/8"	21-3/4"x15-3/4"x9"
F	KARE315	Bar/Prep Bowl	15-7/8"x17-7/8"	13-3/8"x15-7/8"x8"
G	KARE312	Bar/Prep Bowl	15-1/4"x15-1/4"	13"x13"x5-3/4"
H	KARE310	Bar/Prep Bowl	12-7/8"x14-7/8"	10-1/4"x12-3/8"x6-1/2"
I	KARE309	ADA Vanity Bowl	18-1/8"x15-3/4"	
J	KARE305	ADA Vanity Bowl	15-1/4"x15-1/4"	12-3/4"x12-3/4"x5-3/4"
K	KARE303	ADA Vanity Bowl	18"x14-1/2"	15-1/2"x12"x5-3/4"

NOTE: All dimensions are approximate to +/- 1/4" as listed in this catalog. Karran states that no cutting or modifying of the countertop should occur before having the sink on hand.

A  
B  
C  
D  
E  
F  
G  
H  
I  
J  
K  
L  
M  
N  
O  
P  
Q  
R  
S  
T  
U  
V  
W  
X  
Y

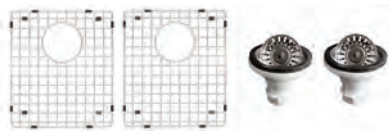
A  
B  
C  
D  
E  
F  
G  
H  
I  
J  
K  
L  
M  
N  
O  
P  
Q  
R  
S  
T  
U  
V  
W  
X  
Y

**ELITE SERIES**

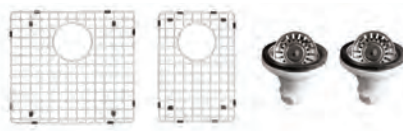
**Undermount Stainless Steel Sink w/Apron Kits**



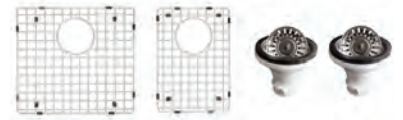
- Designed for all granite and quartz countertops
- Made of 304 stainless steel, 16 Gauge
- Sold in kits
- Single Bowl Includes: (1) Sink, (1) Basket Strainer & (1) Bottom Grid
- Double Bowl Includes: (1) Sink, (2) Basket Strainers & (2) Bottom Grids
- Soft satin brushed finish



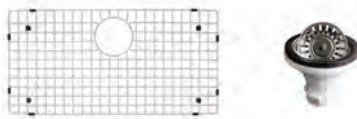
A



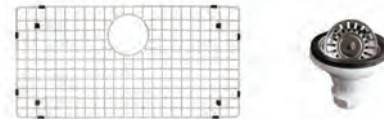
B



C



D



E

	Item #	Style	Outside Dimensions	Inside Bowl Dimensions
A	KAREL88-PK	Double Equal Bowl	36"x22-1/4"	Left: 16-1/4"x18"x10" / Right: 16-1/4"x18"x10"
B	KAREL87-PK	Large/Small Bowl	36"x22-1/4"	Left: 19-3/4"x18"x10" / Right: 13"x18"x10"
C	KAREL86-PK	Large/Small Bowl	33"x22-1/4"	Left: 16-3/4"x18"x10" / Right: 12-3/4"x18"x10"
D	KAREL84-PK	Single Bowl	33"x22-1/4"	31"x18"x10"
E	KAREL82-PK	Single Bowl	30"x22-1/4"	28"x18"x10"

NOTE: All dimensions are approximate to +/- 1/4" as listed in this catalog. Karran states that no cutting or modifying of the countertop should occur before having the sink on hand.



**ELITE SERIES**

**Undermount & Top Mount Stainless Steel Sink Kits**



- Designed for all granite and quartz countertops
- Made of T304 stainless steel, 16 Gauge
- Sold in kits
- Single Bowl Includes: (1) Sink, (1) Basket Strainer & (1) Bottom Grid
- Double Bowl Includes: (1) Sink, (2) Basket Strainers & (2) Bottom Grids
- Soft satin brushed finish



Item #	Style	Outside Dimensions	Inside Bowl Dimensions	
<b>A</b>	KAREL78L-PK	Undermount Small/Large Bowl	33"x22"	Left: 13"x18"x10" / Right: 17"x20"x10"
<b>B</b>	KAREL78R-PK	Undermount Large/Small Bowl	33"x22"	Left: 17"x20"x10" / Right: 13"x18"x10"
<b>C</b>	KAREL76-PK	Undermount Double Equal Bowl	32"x19"	Left: 14-1/4"x17"x10" / Right: 14-1/4"x17"x10"
<b>D</b>	KAREL75-PK	Undermount Large Single Bowl	30"x18"	28"x16"x10"
<b>E</b>	KAREL73-PK	Undermount Large Single Bowl	23"x18"	21"x16"x10"
<b>F</b>	KAREL71-PK	Undermount Bar/Prep Bowl	15"x20"	13"x18"x10"
<b>G</b>	KAREL35-PK	Top Mount Double Equal Bowl	33"x22"	Left: 14-1/2"x16-3/4"x10" / Right: 14-1/2"x16-3/4"x10"
<b>H</b>	KAREL33-PK	Top Mount Large Single Bowl	33"x22"	31"x19"x10"
<b>I</b>	KAREL30-PK	Top Mount Single Bowl	25"x22"	22-1/4"x16-3/4"x10"

NOTE: All dimensions are approximate to +/- 1/4" as listed in this catalog. Karran states that no cutting or modifying of the countertop should occur before having the sink on hand.

A  
B  
C  
D  
E  
F  
G  
H  
I  
J  
K  
L  
M  
N  
O  
P  
Q  
R  
S  
T  
U  
V  
W  
X  
Y

**A UNDERMOUNT SERIES**

**Undermount Stainless Steel Sinks**



- Designed for all granite and quartz countertops
- Made of 304 stainless steel, 18 Gauge
- Soft satin brushed finish



**A**



**B**



**C**



**D**



**E**



**F**

	Item #	Style	Outside Dimensions	Inside Bowl Dimensions
<b>A</b>	KARU6040L	Small/Large Bowl	31-1/2"x20-1/8"	Left: 13-5/8"x16"x6-3/4" / Right: 14-3/4"x18-1/2"x8-3/4"
<b>B</b>	KARU6040R	Large/Small Bowl	31-1/2"x20-1/8"	Left: 14-3/4"x18-1/2"x8-3/4" / Right: 13-5/8"x16"x6-3/4"
<b>C</b>	KARU5050	Double Equal Bowl	31-1/2"x18-1/8"	Left: 14-1/8"x16-1/2"x8-3/4" / Right: 14-1/8"x16-1/2"x8-3/4"
<b>D</b>	KARU3018	Large Single Bowl	30-1/2"x18-3/8"	28-3/8"x16-3/8"x9"
<b>E</b>	KARU2321	D-Shape Single Bowl	22-5/8"x20-1/8"	21-1/4"x18-3/4"x9-3/4"
<b>F</b>	KARU2418	Single Bowl	24-1/8"x18-1/8"	21-3/4"x15-3/4"x9"

NOTE: All dimensions are approximate to +/- 1/4" as listed in this catalog. Karran states that no cutting or modifying of the countertop should occur before having the sink on hand.

**UNDERMOUNT SERIES**

**Undermount Stainless Steel Bar/Prep & Vanity Sinks**



- Designed for all granite and quartz countertops
- Made of 304 stainless steel, 18 Gauge
- Soft satin brushed finish



**A**



**B**



**C**



**D**



**E**



**F**



	Item #	Style	Outside Dimensions	Inside Bowl Dimensions
<b>A</b>	KARU1517	Bar/Prep Bowl	14-5/8"x16-3/4"	13-5/8"x15-5/8"x8"
<b>B</b>	KARU1414	Bar/Prep Bowl	14-1/2"x14-1/2"	13"x13"x6-1/2"
<b>C</b>	KARU1113	Bar/Prep Bowl	11-1/2"x13-1/2"	10-3/8"x12-3/8"x6-3/4"
<b>D</b>	KARUV1816	Vanity Bowl	17-1/4"x15"	15-5/8"x13-1/4"x6"
<b>E</b>	KARUV1715	Vanity Bowl	17-1/4"x15"	15-5/8"x13-1/4"x6-1/2"
<b>F</b>	KARUV1515	ADA Vanity Bowl	14-1/2"x14-1/2"	13"x13"x5-3/4"

NOTE: All dimensions are approximate to +/- 1/4" as listed in this catalog. Karran states that no cutting or modifying of the countertop should occur before having the sink on hand.

A  
B  
C  
D  
E  
F  
G  
H  
I  
J  
K  
L  
M  
N  
O  
P  
Q  
R  
S  
T  
U  
V  
W  
X  
Y

**A QUARTZ Q SERIES**

**Seamless Undermount Quartz Sinks**



- Extremely scratch and chip resistant
- Will not fade or support bacteria growth
- Uniform color throughout
- Heat resistant over 530°F



**A**  
Shown in Bisque  
Outside Dimensions: 32-1/2"x21"  
Inside Bowl Dimensions:  
Left: 14-3/4"x18-1/2"x8-1/2"  
Right: 13-3/4"x16"x7-1/2"



**B**  
Shown in Black  
Outside Dimensions: 32-3/8"x19"  
Inside Bowl Dimensions:  
Left: 14-1/8"x16-1/2"x8-1/2"  
Right: 14-1/8"x16-1/2"x8-1/2"



**C**  
Shown in Brown  
Outside Dimensions: 30-7/8"x18-7/8"  
Inside Bowl Dimensions:  
28-3/8"x16-3/8"x9"



**D**  
Shown in Concrete  
Outside Dimensions:  
24-1/4"x18-1/4"  
Inside Bowl Dimensions:  
21-5/8"x15-3/4"x8-1/2"



**E**  
Shown in Gray  
Outside Dimensions:  
16-5/8"x16-5/8"  
Inside Bowl Dimensions:  
14"x14"x8"



**F**  
Shown in White  
Outside Dimensions:  
19"x15"  
Inside Bowl Dimensions:  
17"x13"x5-1/2"



	<b>A</b>	<b>B</b>	<b>C</b>	<b>D</b>	<b>E</b>	<b>F</b>
<b>Color</b>	<b>Large/Small Bowl Item #</b>	<b>Double Equal Bowl Item #</b>	<b>Large Single Bowl Item #</b>	<b>Single Bowl Item #</b>	<b>Bar/Prep Bowl Item #</b>	<b>ADA Vanity Bowl Item #</b>
Bisque	KARQ360RBI	KARQ350BI	KARQ340BI	KARQ320BI	KARQ315BI	KARQ306BI
Black	KARQ360RBL	KARQ350BL	KARQ340BL	KARQ320BL	KARQ315BL	KARQ306BL
Brown	KARQ360RBR	KARQ350BR	KARQ340BR	KARQ320BR	KARQ315BR	KARQ306BR
Concrete	KARQ360RCN	KARQ350CN	KARQ340CN	KARQ320CN	KARQ315CN	KARQ306CN
Gray	KARQ360RGR	KARQ350GR	KARQ340GR	KARQ320GR	KARQ315GR	KARQ306GR
White	KARQ360RWH	KARQ350WH	KARQ340WH	KARQ320WH	KARQ315WH	KARQ306WH

NOTE: All dimensions are approximate to +/- 1/4" as listed in this catalog. Karran states that no cutting or modifying of the countertop should occur before having the sink on hand.

**QUARTZ QA & QAR SERIES**

**Undermount Quartz Sinks w/Aprons, Farmhouse Series**



- Extremely scratch and chip resistant
- Will not fade or support bacteria growth
- Uniform color throughout and heat resistant over 530°F
- QA Series Apron Height: 9-1/4"
- QAR Series is a retrofit line and it is designed to fit in existing 36" standard sink base cabinets
- QAR Series Apron Height: 6-1/2"



**A**  
Shown in Bisque  
Outside Dimensions: 34"x21-1/4"  
Inside Bowl Dimensions:  
Left: 17-1/4"x16-3/4"x9"  
Right: 11-1/4"x16-3/4"x9"



**B**  
Shown in Black  
Outside Dimensions: 34"x21-1/4"  
Inside Bowl Dimensions:  
Left: 14-3/4"x16-3/4"x9"  
Right: 14-3/4"x16-3/4"x9"



**C**  
Shown in Brown  
Outside Dimensions: 34"x21-1/4"  
Inside Bowl Dimensions:  
31"x16-3/4"x9"



**D**  
Shown in Concrete  
Outside Dimensions: 34"x21-1/4"  
Inside Bowl Dimensions:  
Left: 17-1/4"x16-3/4"x9"  
Right: 11-1/4"x16-3/4"x9"



**E**  
Shown in Gray  
Outside Dimensions: 34"x21-1/4"  
Inside Bowl Dimensions:  
Left: 14-3/4"x16-3/4"x9"  
Right: 14-3/4"x16-3/4"x9"



**F**  
Shown in White  
Outside Dimensions:  
34"x21-1/4"  
Inside Bowl Dimensions:  
31"x16-3/4"x9"

	<b>A</b>	<b>B</b>	<b>C</b>	<b>D</b>	<b>E</b>	<b>F</b>
<b>Color</b>	<b>Large/Small Bowl Item #</b>	<b>Double Equal Bowl Item #</b>	<b>Large Single Bowl Item #</b>	<b>Retrofit Large/Small Bowl Item #</b>	<b>Retrofit Double Equal Bowl Item #</b>	<b>Retrofit Large Single Bowl Item #</b>
Bisque	KARQA760BI	KARQA750BI	KARQA740BI	KARQAR760BI	KARQAR750BI	KARQAR740BI
Black	KARQA760BL	KARQA750BK	KARQA740BL	KARQAR760BL	KARQAR750BL	KARQAR740BL
Brown	KARQA760BR	KARQA750BR	KARQA740BR	KARQAR760BR	KARQAR750BR	KARQAR740BR
Concrete	KARQA760CN	KARQA750CN	KARQA740CN	KARQAR760CN	KARQAR750CN	KARQAR740CN
Gray	KARQA760GR	KARQA750GR	KARQA740GR	KARQAR760GR	KARQAR750GR	KARQAR740GR
White	KARQA760WH	KARQA750WH	KARQA740WH	KARQAR760WH	KARQAR750WH	KARQAR740WH

NOTE: All dimensions are approximate to +/- 1/4" as listed in this catalog. Karran states that no cutting or modifying of the countertop should occur before having the sink on hand.

A  
B  
C  
D  
E  
F  
G  
H  
I  
J  
K  
L  
M  
N  
O  
P  
Q  
R  
S  
T  
U  
V  
W  
X  
Y

**A QUARTZ QU SERIES**

**Undermount Quartz Sinks**



- Extremely scratch and chip resistant
- Will not fade or support bacteria growth
- Uniform color throughout and heat resistant over 530°F



**A**

Shown in Bisque  
 Outside Dimensions: 32"x21"  
 Inside Bowl Dimensions:  
 Left: 15-1/4"x18-3/8"x9"  
 Right: 12-7/8"x16"x9"



**B**

Shown in Black  
 Outside Dimensions: 32"x21"  
 Inside Bowl Dimensions:  
 Left: 18"x17-1/4"x10"  
 Right: 11"x15-1/4"x7-1/2"



**C**

Shown in Brown  
 Outside Dimensions: 31-5/8"x19-1/8"  
 Inside Bowl Dimensions:  
 29"x16-3/8"x9"



**D**

Shown in Concrete  
 Outside Dimensions:  
 24"x21"  
 Inside Bowl Dimensions:  
 21-3/8"x17-7/8"x9"



**E**

Shown in Gray  
 Outside Dimensions:  
 16-5/8"x16-5/8"  
 Inside Bowl Dimensions:  
 14"x14"x8-1/4"



**F**

Shown in White  
 Outside Dimensions: 32-1/2"x19-1/2"  
 Inside Bowl Dimensions:  
 Left: 14-1/2"x15-3/4"x9"  
 Right: 14-1/2"x15-3/4"x9"

	<b>A</b>	<b>B</b>	<b>C</b>	<b>D</b>	<b>E</b>	<b>F</b>
<b>Color</b>	<b>Large/Small Bowl Item #</b>	<b>Double Equal Bowl Item #</b>	<b>Large Single Bowl Item #</b>	<b>Single Bowl Item #</b>	<b>Bar/Prep Bowl Item #</b>	<b>Double Equal Bowl Item #</b>
Bisque	KARQU610BI	KARQU630BI	KARQU670BI	KARQU671BI	KARQU690BK	KARQU710BI
Black	KARQU610BK	KARQU630BK	KARQU670BK	KARQU671BK	KARQU690BR	KARQU710BK
Brown	KARQU610BR	KARQU630BR	KARQU670BR	KARQU671BR	KARQU690BI	KARQU710BR
Concrete	KARQU610CN	KARQU630CN	KARQU670CN	KARQU671CN	KARQU690CN	KARQU710CN
Gray	KARQU610GR	KARQU630GR	KARQU670GR	KARQU671GR	KARQU690GR	KARQU710GR
White	KARQU610WH	KARQU630WH	KARQU670WH	KARQU671WH	KARQU690WH	KARQU710WH

NOTE: All dimensions are approximate to +/- 1/4" as listed in this catalog. Karran states that no cutting or modifying of the countertop should occur before having the sink on hand.

**QUARTZ QU SERIES**

**Undermount Quartz Sinks**

- Extremely scratch and chip resistant
- Will not fade or support bacteria growth
- Uniform color throughout and heat resistant over 530°F



**A** Shown in Bisque  
 Outside Dimensions: 32-1/2"x19-1/2"  
 Inside Bowl Dimensions:  
 Left: 17-1/2"x15-3/4"x9"  
 Right: 11-3/8"x15-3/4"x9"



**B** Shown in Black  
 Outside Dimensions: 32-1/2"x19-1/2"  
 Inside Bowl Dimensions:  
 30"x15-3/4"x9"



**C** Shown in Brown  
 Outside Dimensions: 33-1/2"x20-1/2"  
 Inside Bowl Dimensions:  
 Left: 14-3/8"x17-1/2"x9"  
 Right: 14-3/8"x16"x9"



**D** Shown in Concrete  
 Outside Dimensions: 33-1/2"x20-5/8"  
 Inside Bowl Dimensions:  
 Left: 17-5/8"x17-1/2"x9"  
 Right: 11-1/8"x16-1/8"x9"



**E** Shown in Gray  
 Outside Dimensions: 33-1/2"x21"  
 Inside Bowl Dimensions:  
 30"x18"x16-3/8"



**F** Shown in White  
 Outside Dimensions: 32-3/8"x19-1/4"  
 Inside Bowl Dimensions:  
 Left: 14-1/4"x16-3/4"x9"  
 Right: 14-1/4"x16-3/4"x9"



**G** Shown in Bisque  
 Outside Dimensions: 32"x21-1/4"  
 Inside Bowl Dimensions:  
 Left: 17-1/8" x 19" x 9"  
 Right: 11-1/2" x 16-3/4" x 9"

	A	B	C	D	E	F	G
Color	Large/Small Bowl Item #	Large Single Bowl Item #	Double Equal Bowl Item #	Large/Small Bowl Item #	Large Single Bowl Item #	Double Equal Bowl Item #	Large/Small Bowl Item #
Bisque	KARQU711BI	KARQU712BI	KARQU720BI	KARQU721BI	KARQU722BI	KARQU810BI	KARQU811BI
Black	KARQU711BK	KARQU712BK	KARQU720BK	KARQU721BK	KARQU722BK	KARQU810BL	KARQU811BL
Brown	KARQU711BR	KARQU712BR	KARQU720BR	KARQU721BR	KARQU722BR	KARQU810BN	KARQU811BN
Concrete	KARQU711CN	KARQU712CN	KARQU720CN	KARQU721CN	KARQU722CN	KARQU810CT	KARQU811CT
Gray	KARQU711GR	KARQU712GR	KARQU720GR	KARQU721GR	KARQU722GR	KARQU810GR	KARQU811GR
White	KARQU711WH	KARQU712WH	KARQU720WH	KARQU721WH	KARQU722WH	KARQU810WH	KARQU811WH

NOTE: All dimensions are approximate to +/- 1/4" as listed in this catalog. Karran states that no cutting or modifying of the countertop should occur before having the sink on hand.

A  
B  
C  
D  
E  
F  
G  
H  
I  
J  
K  
L  
M  
N  
O  
P  
Q  
R  
S  
T  
U  
V  
W  
X  
Y

**A QUARTZ QT SERIES**

**Top Mount Quartz Sinks**



- Extremely scratch and chip resistant
- Will not fade or support bacteria growth
- Uniform color throughout and heat resistant over 530°F



**A**  
Shown in Bisque  
Outside Dimensions: 33"x22"  
Inside Bowl Dimensions:  
Left: 15-1/4"x18-3/8"x9"  
Right: 12-7/8"x16"x9"



**B**  
Shown in Black  
Outside Dimensions: 33"x22"  
Inside Bowl Dimensions:  
Left: 18"x17-1/4"x10"  
Right: 11"x15-1/4"x7-1/2"



**C**  
Shown in Brown  
Outside Dimensions: 33"x22"  
Inside Bowl Dimensions:  
29"x16-3/8"x9"



**D**  
Shown in Concrete  
Outside Dimensions: 25"x22"  
Inside Bowl Dimensions:  
21-3/8"x17-7/8"x9"



**E**  
Shown in Gray  
Outside Dimensions: 33"x22"  
Inside Bowl Dimensions:  
Left: 14-1/2"x15-3/4"x9"  
Right: 14-1/2"x15-3/4"x9"



**F**  
Shown in White  
Outside Dimensions: 33"x22"  
Inside Bowl Dimensions:  
Left: 17-1/2"x15-3/4"x9"  
Right: 11-3/8"x15-3/4"x9"

	<b>A</b>	<b>B</b>	<b>C</b>	<b>D</b>	<b>E</b>	<b>F</b>
<b>Color</b>	<b>Large/Small Bowl Item #</b>	<b>Large/Small Bowl Item #</b>	<b>Large Single Bowl Item #</b>	<b>Single Bowl Item #</b>	<b>Double Equal Bowl Item #</b>	<b>Large/Small Bowl Item #</b>
Bisque	KARQT610BI	KARQT630BI	KARQT670BI	KARQT671BI	KARQT710BI	KARQT711BI
Black	KARQT610BK	KARQT630BK	KARQT670BK	KARQT671BK	KARQT710BK	KARQT711BK
Brown	KARQT610BR	KARQT630BR	KARQT670BR	KARQT671BR	KARQT710BR	KARQT711BR
Concrete	KARQT610CN	KARQT630CN	KARQT670CN	KARQT671CN	KARQT710CN	KARQT711CN
Gray	KARQT610GR	KARQT630GR	KARQT670GR	KARQT671GR	KARQT710GR	KARQT711GR
White	KARQT610WH	KARQT630WH	KARQT670WH	KARQT671WH	KARQT710WH	KARQT711WH

NOTE: All dimensions are approximate to +/- 1/4" as listed in this catalog. Karran states that no cutting or modifying of the countertop should occur before having the sink on hand.



**QUARTZ QT & QX SERIES**

**Top Mount Quartz Sinks**



- Extremely scratch and chip resistant
- Will not fade or support bacteria growth
- Uniform color throughout and heat resistant over 530°F



**A** Shown in Bisque  
Outside Dimensions: 33"x22"  
Inside Bowl Dimensions:  
30"x15-3/4"x9"



**B** Shown in Black  
Outside Dimensions: 33"x22"  
Inside Bowl Dimensions:  
Left: 14-3/8"x17-1/4"x9"  
Right: 14-3/8"x16"x9"



**C** Shown in Brown  
Outside Dimensions: 34"x22"  
Inside Bowl Dimensions:  
Left: 17-5/8"x17-1/2"x9"  
Right: 11-1/8"x16-1/8"x9"



**D** Shown in Concrete  
Outside Dimensions: 34"x22"  
Inside Bowl Dimensions:  
30"x18"x9"



**E** Shown in Gray  
Outside Dimensions: 33"x22"  
Inside Bowl Dimensions:  
Left: 14-1/4"x16-3/4"x9"  
Right: 14-1/4"x16-3/4"x9"



**F** Shown in White  
Outside Dimensions: 33"x22"  
Inside Bowl Dimensions:  
Left: 17-1/8"x19"x9"  
Right: 11-1/2"x16-3/4"x9"



**G** Shown in Bisque  
Outside Dimensions: 18"x16"  
Inside Bowl Dimensions:  
14"x9"x7-1/2"

	<b>A</b>	<b>B</b>	<b>C</b>	<b>D</b>	<b>E</b>	<b>F</b>	<b>G</b>
<b>Color</b>	<b>Large Single Bowl Item #</b>	<b>Double Equal Bowl Item #</b>	<b>Large/Small Bowl Item #</b>	<b>Large Single Bowl Item #</b>	<b>Double Equal Bowl Item #</b>	<b>Large/Small Bowl Item #</b>	<b>Bar/Prep Bowl Item #</b>
Bisque	KARQT712BI	KARQT720BI	KARQT721BI	KARQT722BI	KARQT810BI	KARQT811BI	KARQX680BI
Black	KARQT712BK	KARQT720BK	KARQT721BK	KARQT722BL	KARQT810BL	KARQT811BL	KARQX680BK
Brown	KARQT712BR	KARQT720BR	KARQT721BR	KARQT722BR	KARQT810BN	KARQT811BN	KARQX680BR
Concrete	KARQT712CN	KARQT720CN	KARQT721CN	KARQT722CN	KARQT810CT	KARQT811CT	KARQX680CN
Gray	KARQT712GR	KARQT720GR	KARQT721GR	KARQT722GR	KARQT810GR	KARQT811GR	KARQX680GR
White	KARQT712WH	KARQT720WH	KARQT721WH	KARQT722WH	KARQT810WH	KARQT811WH	KARQX680WH

NOTE: All dimensions are approximate to +/- 1/4" as listed in this catalog. Karran states that no cutting or modifying of the countertop should occur before having the sink on hand.

A  
B  
C  
D  
E  
F  
G  
H  
I  
J  
K  
L  
M  
N  
O  
P  
Q  
R  
S  
T  
U  
V  
W  
X  
Y

**A ACRYLIC SERIES**

**Seamless Undermount Acrylic Sinks**



- Designed to be seamlessly undermounted into laminate and solid surface countertops, and flush mounted into granite and quartz countertops
- Made from an ultra-dense, 100% non-porous pure acrylic resin
- Reinforced with a fiberglass resin backing for added strength
- Finished with a satin finish that is both durable and visually appealing
- Material is stain and heat resistant, and impervious to thermal cracking



A



B



C



D



E



F



G



H



I

	Bisque Item #	White Item #	Style	Outside Dimensions	Inside Bowl Dimensions
<b>A</b>	KARA370B	KARA370W	Double Equal Bowl	33"x19"	Left: 14"x16"x8-3/4" / Right: 14"x16"x8-3/4"
<b>B</b>	KARA360RB	KARA360RW	Large/Small Bowl	32-1/4"x21"	Left: 14-3/4"x18-1/2"x8-3/4" / Right: 13-7/8"x16"x7-3/4"
<b>C</b>	KARA355B	KARA355W	Double Equal Bowl	31-1/2"x19"	Left: 13-1/2"x16-3/4"x8-3/4" / Right: 13-1/2"x16-3/4"x8-3/4"
<b>D</b>	KARA350B	KARA350W	Double Equal Bowl	32-3/4"x19-1/4"	Left: 14-1/2"x17"x9" / Right: 14-1/2"x17"x9"
<b>E</b>	KARA340B	KARA340W	Large Single Bowl	30-1/2"x18-1/2"	28-1/4"x16-1/4"x9"
<b>F</b>	KARA320B	KARA320W	Single Bowl	24"x17-1/2"	21-3/4"x15-1/2"x9"
<b>G</b>	KARA315B	KARA315W	Bar/Prep Bowl	14"x17"	11-5/8"x14-5/8"x6"
<b>H</b>	KARA309B	KARA309W	Single Bowl	20-3/4"x13-3/4"	18-5/8"x11-5/8"x5-1/8"
<b>I</b>	KARA306B	KARA306W	Single Bowl	19"x15-1/2"	16-1/2"x13"x6"

NOTE: All dimensions are approximate to +/- 1/4" as listed in this catalog. Karran states that no cutting or modifying of the countertop should occur before having the sink on hand.

**VALERA SERIES**

**Vitreous China Sinks**



- Durable double-glazed finish
- Finished in a high gloss surface finish that is both durable and visually appealing
- Material is stain and heat resistant
- ADA Compliant



**A**



**B**



**C**



**D**



**E**



**F**



**G**



**H**



**I**

	White Item #	Installation Type	Style	Outside Dimensions
<b>A</b>	KARVC101WH	Undermount	Single Vanity Bowl	17"x14"x6"
<b>B</b>	KARVC102WH	Undermount	Single Vanity Bowl	19-1/4"x15-3/4"x6-1/4"
<b>C</b>	KARVC105WH	Undermount	Single Vanity Bowl	18"x13"x5-3/4"
<b>D</b>	KARVC106WH	Undermount	Single Vanity Bowl	21"x15"x6-1/4"
<b>E</b>	KARVC108WH	Undermount	Single Vanity Bowl	21"x13-3/8"x5-1/2"
<b>F</b>	KARVC110WH	Undermount	Single Vanity Bowl	19-1/2"x15-1/2"x4-1/2"
<b>G</b>	KARVC115WH	Undermount	Single Vanity Bowl	17"x13-3/4"x5-1/2"
<b>H</b>	KARVC201WH	Top Mount	Single Vanity Bowl w/Overflow Drain	20-3/8"x16-1/8"x6-1/8"
<b>I</b>	KARVC202WH	Top Mount	Bathroom Vessel Sink	21-1/8"x14-1/2"x4-3/8"

NOTE: All dimensions are approximate to +/- 1/4" as listed in this catalog. Karran states that no cutting or modifying of the countertop should occur before having the sink on hand.

A  
B  
C  
D  
E  
F  
G  
H  
I  
J  
K  
L  
M  
N  
O  
P  
Q  
R  
S  
T  
U  
V  
W  
X  
Y

**A VALERA SERIES**

**Vitreous China Sinks**



- Durable double-glazed finish
- Finished in a high gloss surface finish that is both durable and visually appealing
- Material is stain and heat resistant
- ADA Compliant



ADA Compliant



	White Item #	Installation Type	Style	Outside Dimensions
<b>A</b>	KARVC203WH	Top Mount	Bathroom Vessel Sink	17-3/4"x17-3/4"x4-7/8"
<b>B</b>	KARVC301WH	Above-counter	Bathroom Vessel Sink w/Overflow Drain	22-7/8"x14-7/8"x7-1/2"
<b>C</b>	KARVC302WH	Above-counter	Bathroom Vessel Sink	15-1/2"x13-1/4"x5-3/4"
<b>D</b>	KARVC303WH	Above-counter	Bathroom Vessel Sink	27"x16-3/4"x4-5/8"
<b>E</b>	KARVC401WH	Above-counter	Bathroom Vessel Sink w/Overflow Drain	18-1/8"x18-1/8"x6-1/4"
<b>F</b>	KARVC402WH	Above-counter	Bathroom Vessel Sink w/Overflow Drain	18-7/8"x18-7/8"x7-3/4"
<b>G</b>	KARVC410WH	Above-counter	Bathroom Vessel Sink w/Overflow Drain	16-5/8"x16-5/8"x6-3/4"
<b>H</b>	KARVC411WH	Above-counter	Bathroom Vessel Sink	15-1/2"x15-1/2"x6"
<b>I</b>	KARVC420WH	Above-counter	Bathroom Vessel Sink	18"x18"x6-1/4"

NOTE: All dimensions are approximate to +/- 1/4" as listed in this catalog. Karran states that no cutting or modifying of the countertop should occur before having the sink on hand.

**VALERA SERIES**

**Vitreous China Sinks**



- Durable double-glazed finish
- Finished in a high gloss surface finish that is both durable and visually appealing
- Material is stain and heat resistant
- ADA Compliant



**A**



**B**



**C**



**D**



**E**



**F**



**G**



**H**



**I**

	White Item #	Installation Type	Style	Outside Dimensions
<b>A</b>	KARVC421WH	Above-counter	Bathroom Vessel Sink	16"x16"x5-1/2"
<b>B</b>	KARVC422WH	Above-counter	Bathroom Vessel Sink	16-1/2"x16-1/2"x5-1/2"
<b>C</b>	KARVC423WH	Above-counter	Bathroom Vessel Sink	14-1/8"x14-1/8"x4-3/4"
<b>D</b>	KARVC424WH	Above-counter	Bathroom Vessel Sink	14-1/4"x14-1/4"x4-3/4"
<b>E</b>	KARVC425WH	Above-counter	Bathroom Vessel Sink	16-1/8"x16-1/8"x5-1/4"
<b>F</b>	KARVC426WH	Above-counter	Bathroom Vessel Sink	19-1/2"x19-1/2"x5"
<b>G</b>	KARVC427WH	Above-counter	Bathroom Vessel Sink	16-1/2"x16-1/2"x5-1/8"
<b>H</b>	KARVC428WH	Above-counter	Bathroom Vessel Sink	18-1/4"x18-1/4"x5-7/8"
<b>I</b>	KARVC501WH	Above-counter	Bathroom Vessel Sink	18-3/4"x14-1/2"x5-1/8"

NOTE: All dimensions are approximate to +/- 1/4" as listed in this catalog. Karran states that no cutting or modifying of the countertop should occur before having the sink on hand.

A  
B  
C  
D  
E  
F  
G  
H  
I  
J  
K  
L  
M  
N  
O  
P  
Q  
R  
S  
T  
U  
V  
W  
X  
Y

**A VALERA SERIES**

**Vitreous China Sinks**



- Durable double-glazed finish
- Finished in a high gloss surface finish that is both durable and visually appealing
- Material is stain and heat resistant
- ADA Compliant



ADA Compliant



	White Item #	Installation Type	Style	Outside Dimensions
<b>A</b>	KARVC502WH	Above-counter	Bathroom Vessel Sink	19"x13-1/4"x5-1/2"
<b>B</b>	KARVC503WH	Above-counter	Bathroom Vessel Sink	15-1/2"x13"x4"
<b>C</b>	KARVC504WH	Above-counter	Bathroom Vessel Sink	24"x15-1/2"x4-3/4"
<b>D</b>	KARVC505WH	Above-counter	Bathroom Vessel Sink	20"x15-7/8"x5-1/2"
<b>E</b>	KARVC506WH	Above-counter	Bathroom Vessel Sink	24-1/4"x14"x4-1/4"
<b>F</b>	KARVC507WH	Above-counter	Bathroom Vessel Sink	19"x11-1/2"x5-1/8"
<b>G</b>	KARVC508WH	Above-counter	Bathroom Vessel Sink	26-3/8"x14-7/8"x4-3/4"
<b>H</b>	KARVC509WH	Above-counter	Bathroom Vessel Sink	16-3/4"x16-1/2"x5-1/4"
<b>I</b>	KARVC510WH	Above-counter	Bathroom Vessel Sink	16-3/4"x16-3/4"x5-3/8"

NOTE: All dimensions are approximate to +/- 1/4" as listed in this catalog. Karran states that no cutting or modifying of the countertop should occur before having the sink on hand.

**VALERA SERIES**

**Vitreous China Sinks**



- Durable double-glazed finish
- Finished in a high gloss surface finish that is both durable and visually appealing
- Material is stain and heat resistant
- ADA Compliant



ADA Compliant



**A**



**B**



**C**



**D**



**E**

	White Item #	Installation Type	Style	Outside Dimensions
<b>A</b>	KARVC511WH	Above-counter	Bathroom Vessel Sink	19-7/8"x15-3/4"x5-1/2"
<b>B</b>	KARVC512WH	Above-counter	Bathroom Vessel Sink	18-1/4"x13-1/8"x5-3/8"
<b>C</b>	KARVC601WH	Above-counter	Bathroom Vessel Sink	18-3/4"x16-3/8"x5-1/8"
<b>D</b>	KARVC602WH	Above-counter	Bathroom Vessel Sink	25-1/8"x16-1/2"x5-1/8"
<b>E</b>	KARVC603WH	Above-counter	Bathroom Vessel Sink	16-1/4"x16-1/4"x4-3/8"

NOTE: All dimensions are approximate to +/- 1/4" as listed in this catalog. Karran states that no cutting or modifying of the countertop should occur before having the sink on hand.

A  
B  
C  
D  
E  
F  
G  
H  
I  
J  
K  
L  
M  
N  
O  
P  
Q  
R  
S  
T  
U  
V  
W  
X  
Y

**A FAUCETS**

B  
C  
D  
E  
F  
G  
H  
I  
J  
K  
L  
M  
N  
O  
P  
Q  
R  
S  
T  
U  
V  
W  
X  
Y



Brushed Gold

**Scottsdale Series Faucets**

- Single-Handle Pull-Down Sprayer
- Single hole installation - 1.75" maximum deck thickness
- ADA compliant - Single lever handle makes control simple
- Rotates 90° forward allowing for operation in tight spaces with backsplashes
- 1.8 GPM water flow alternates between powerful spray and aerated flow
- Lead-free CALGreen California compliant durable brass construction
- Kerox ceramic cartridge - highest quality "no-drip" precision
- Included Components: Hot water line, cold water line, installation hardware



Item #	Faucet Height	Spout Height	Spout Reach	Finish
KARKKF210C	18-7/8"	6-1/2"	8-5/8"	Chrome
KARKKF210SS	18-7/8"	6-1/2"	8-5/8"	Stainless Steel
KARKKF210MB	18-7/8"	6-1/2"	8-5/8"	Matte Black
KARKKF210GG	18-7/8"	6-1/2"	8-5/8"	Gunmetal Gray
KARKKF210BG	18-7/8"	6-1/2"	8-5/8"	Brushed Gold



Matte Black

**Bluffton Series Faucets**

- Single-Handle Pull-Down Sprayer
- Single hole installation - 1.75" maximum deck thickness
- ADA compliant - Single lever handle makes control simple
- Rotates 90° forward allowing for operation in tight spaces with backsplashes
- 1.8 GPM water flow alternates between powerful spray and aerated flow
- Lead-free CALGreen California compliant durable brass construction
- Kerox ceramic cartridge - highest quality "no-drip" precision
- Included Components: Hot water line, cold water line, installation hardware



Item #	Faucet Height	Spout Height	Spout Reach	Finish
KARKKF220C	22-17/32"	7-7/32"	8-31/32"	Chrome
KARKKF220SS	22-17/32"	7-7/32"	8-31/32"	Stainless Steel
KARKKF220MB	22-17/32"	7-7/32"	8-31/32"	Matte Black



Chrome

**Tumba Series Faucets**

- Single-Handle Pull-Down Sprayer
- Single hole installation - 1.75" maximum deck thickness
- ADA compliant - Single lever handle makes control simple
- Rotates 90° forward allowing for operation in tight spaces with backsplashes
- 1.8 GPM water flow alternates between powerful spray and aerated flow
- Lead-free CALGreen California compliant durable brass construction
- Kerox ceramic cartridge - highest quality "no-drip" precision
- Included Components: Hot water line, cold water line, installation hardware



Item #	Faucet Height	Spout Height	Spout Reach	Finish
KARKKF230C	26-25/32"	10", 8-3/16"	8-31/32", 8-19/32"	Chrome
KARKKF230SS	26-25/32"	10", 8-3/16"	8-31/32", 8-19/32"	Stainless Steel
KARKKF230MB	26-25/32"	10", 8-3/16"	8-31/32", 8-19/32"	Matte Black



**FAUCETS**

A  
B  
C  
D  
E  
F  
G  
H  
I  
J  
K  
L  
M  
N  
O  
P  
Q  
R  
S  
T  
U  
V  
W  
X  
Y



Chrome

**Weybridge Series Faucets**

- Single-Handle Pull-Down Sprayer
- Single hole installation - 1.75" maximum deck thickness
- ADA compliant - Single lever handle makes control simple
- Rotates 90° forward allowing for operation in tight spaces with backsplashes
- 1.8 GPM water flow alternates between powerful spray and aerated flow
- Lead-free CALGreen California compliant durable brass construction
- Kerox ceramic cartridge - highest quality "no-drip" precision
- Included Components: Hot water line, cold water line, installation hardware



Item #	Faucet Height	Spout Height	Spout Reach	Finish
KARKKF240C	14-13/16"	6-25/32"	8-1/8"	Chrome
KARKKF240SS	14-13/16"	6-25/32"	8-1/8"	Stainless Steel



Stainless Steel

**Dockton Series Faucets**

- Single-Handle Pull-Down Sprayer
- Single hole installation - 1.75" maximum deck thickness
- ADA compliant - Single lever handle makes control simple
- Rotates 90° forward allowing for operation in tight spaces with backsplashes
- 1.8 GPM water flow alternates between powerful spray and aerated flow
- Lead-free CALGreen California compliant durable brass construction
- Kerox ceramic cartridge - highest quality "no-drip" precision
- Included Components: Hot water line, cold water line, installation hardware



Item #	Faucet Height	Spout Height	Spout Reach	Finish
KARKKF250C	15-31/32"	7-11/16"	8-3/16"	Chrome
KARKKF250SS	15-31/32"	7-11/16"	8-3/16"	Stainless Steel



Chrome

**Hillwood Series Faucets**

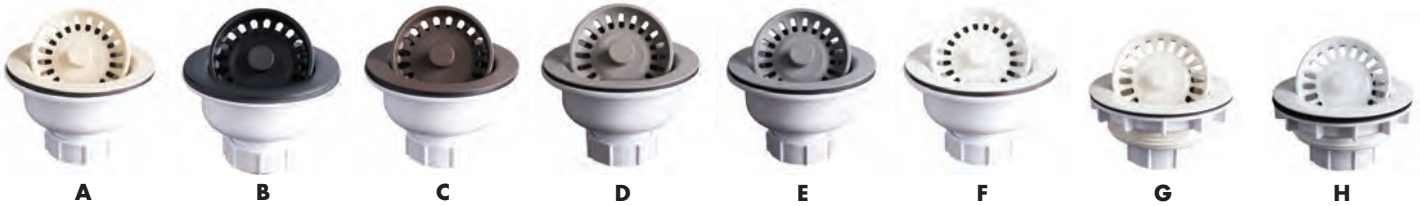
- Single-Handle Pull-Down Sprayer
- Horizontal handle design to main body, rotates 90° left to right
- Single hole installation - 1.75" maximum deck thickness
- ADA compliant - Single lever handle makes control simple
- Rotates 90° forward allowing for operation in tight spaces with backsplashes
- 1.8 GPM water flow alternates between powerful spray and aerated flow
- Lead-free CALGreen California compliant durable brass construction
- Kerox ceramic cartridge - highest quality "no-drip" precision
- Included Components: Hot water line, cold water line, installation hardware



Item #	Faucet Height	Spout Height	Spout Reach	Finish
KARKKF260C	14-7/16"	7-1/4"	8-7/16"	Chrome
KARKKF260SS	14-7/16"	7-1/4"	8-7/16"	Stainless Steel

**A BASKET STRAINERS & DISPOSAL FLANGES**

**Basket Strainers for Quartz & Acrylic Sinks**



	Item #	Type	Fits Drain Opening Size	Size	Construction	Color
<b>A</b>	KARQBSBI	Basket Strainer for Quartz Sinks	3-1/2"	4-1/2"x3-1/4"	Corrosion Resistant, ABS Plastic	Bisque
<b>B</b>	KARQBSBL	Basket Strainer for Quartz Sinks	3-1/2"	4-1/2"x3-1/4"	Corrosion Resistant, ABS Plastic	Black
<b>C</b>	KARQBSBR	Basket Strainer for Quartz Sinks	3-1/2"	4-1/2"x3-1/4"	Corrosion Resistant, ABS Plastic	Brown
<b>D</b>	KARQBSCN	Basket Strainer for Quartz Sinks	3-1/2"	4-1/2"x3-1/4"	Corrosion Resistant, ABS Plastic	Concrete
<b>E</b>	KARQBSGR	Basket Strainer for Quartz Sinks	3-1/2"	4-1/2"x3-1/4"	Corrosion Resistant, ABS Plastic	Gray
<b>F</b>	KARQBSWH	Basket Strainer for Quartz Sinks	3-1/2"	4-1/2"x3-1/4"	Corrosion Resistant, ABS Plastic	White
<b>G</b>	KARABSBI	Basket Strainer for Acrylic Sinks	3-1/2"	4-1/2"x3-1/4"	Corrosion Resistant, ABS Plastic	Bisque
<b>H</b>	KARABSWH	Basket Strainer for Acrylic Sinks	3-1/2"	4-1/2"x3-1/4"	Corrosion Resistant, ABS Plastic	White

**Disposal Flanges for Quartz & Acrylic Sinks**



	Item #	Type	Fits Drain Opening Size	Size	Construction	Color
<b>A</b>	KARQDFBI	Disposal Flange for Quartz Sinks	3-1/2"	4-1/2"x1-1/4"	Corrosion Resistant, ABS Plastic	Bisque
<b>B</b>	KARQDFBL	Disposal Flange for Quartz Sinks	3-1/2"	4-1/2"x1-1/4"	Corrosion Resistant, ABS Plastic	Black
<b>C</b>	KARQDFBR	Disposal Flange for Quartz Sinks	3-1/2"	4-1/2"x1-1/4"	Corrosion Resistant, ABS Plastic	Brown
<b>D</b>	KARQDFCN	Disposal Flange for Quartz Sinks	3-1/2"	4-1/2"x1-1/4"	Corrosion Resistant, ABS Plastic	Concrete
<b>E</b>	KARQDFGR	Disposal Flange for Quartz Sinks	3-1/2"	4-1/2"x1-1/4"	Corrosion Resistant, ABS Plastic	Gray
<b>F</b>	KARQDFWH	Disposal Flange for Quartz Sinks	3-1/2"	4-1/2"x1-1/4"	Corrosion Resistant, ABS Plastic	White
<b>G</b>	KARADFBI	Disposal Flange for Acrylic Sinks	3-1/2"	4-1/2"x1-1/4"	Corrosion Resistant, ABS Plastic	Bisque
<b>H</b>	KARADFWH	Disposal Flange for Acrylic Sinks	3-1/2"	4-1/2"x1-1/4"	Corrosion Resistant, ABS Plastic	White

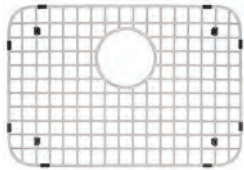
**Disposal Flanges for Quartz & Acrylic Sinks**



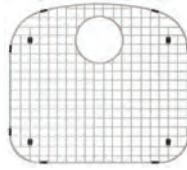
	Item #	Type	Fits Drain Opening Size	Construction	Finish
<b>A</b>	KARL1	Basket Strainer for All Sinks	3-1/2"	Stainless Steel	Polished
<b>B</b>	KARL2	Basket Strainer for All Sinks	3-1/2"	Stainless Steel with SlimShield Cap	Stainless Steel
<b>C</b>	KARL2DF	Disposal Flange for All Sinks	3-1/2"	Stainless Steel with SlimShield Cap	Stainless Steel

**SINK GRIDS**

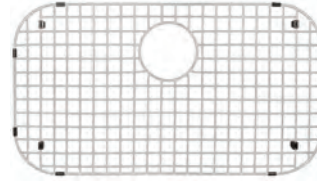
**Stainless Steel Sink Grids**



**A**



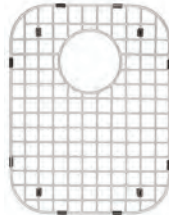
**B**



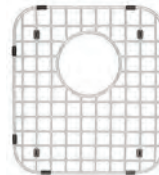
**C**



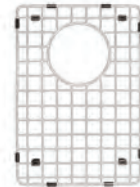
**D**



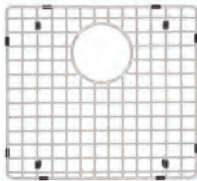
**E**



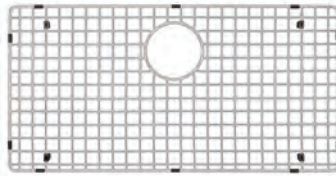
**F**



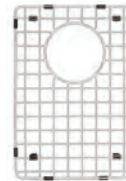
**G**



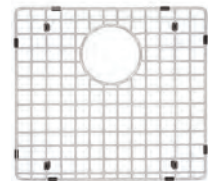
**H**



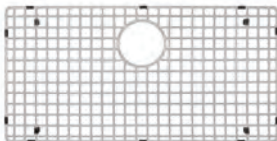
**I**



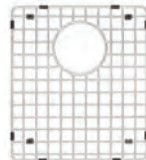
**J**



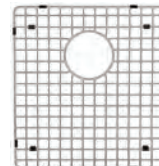
**K**



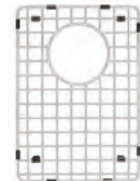
**L**



**M**



**N**



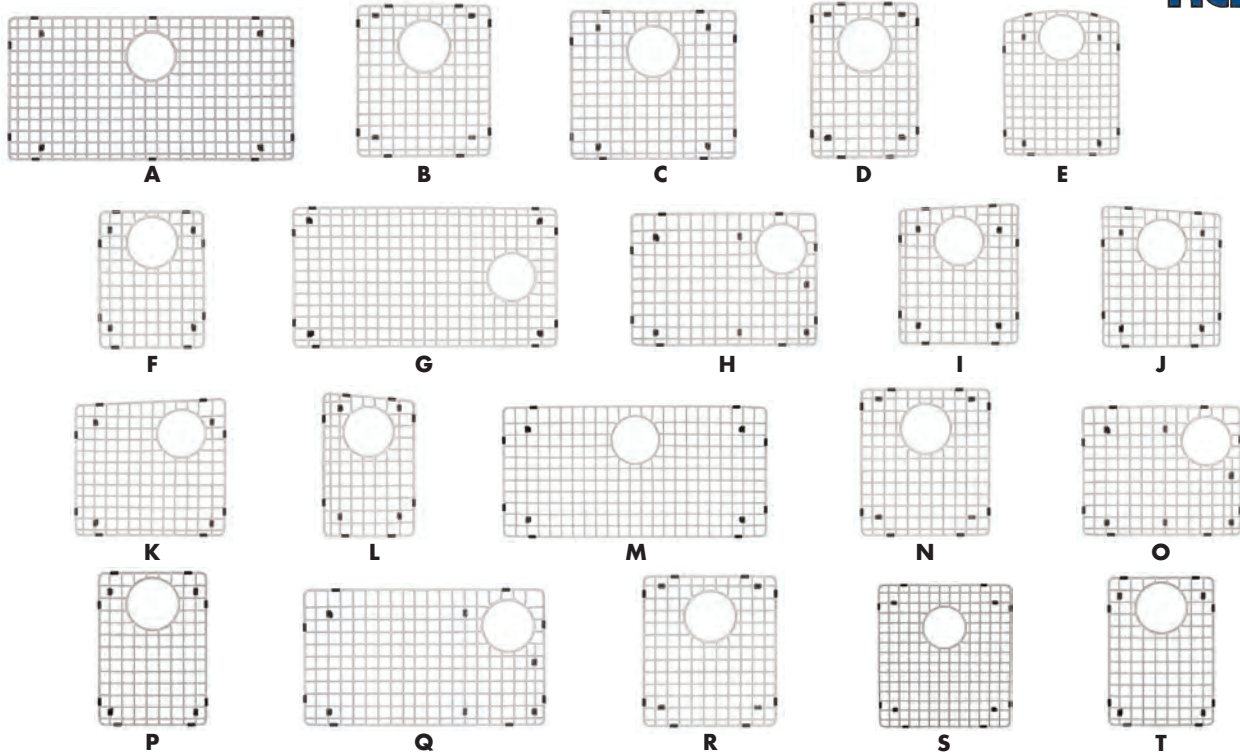
**O**

	Item #	Designed for Karran Sink Model	Includes	Construction	Finish
<b>A</b>	KARGR3005	Fits E-320, U-2418, Q-320	Plastic Feet	Solid T304 Stainless Steel	Stainless Steel
<b>B</b>	KARGR3006	Fits E-330, U-2321	Plastic Feet	Solid T304 Stainless Steel	Stainless Steel
<b>C</b>	KARGR3004	Fits E-340, U-3018, Q-340	Plastic Feet	Solid T304 Stainless Steel	Stainless Steel
<b>D</b>	KARGR3001	Fits E-350, U-5050, Q-350	Plastic Feet	Solid T304 Stainless Steel	Stainless Steel
<b>E</b>	KARGR3002	Fits E-360R, U-6040 large bowl	Plastic Feet	Solid T304 Stainless Steel	Stainless Steel
<b>F</b>	KARGR3003	Fits E-360R, U-6040, E-315, U-1517 small bowl	Plastic Feet	Solid T304 Stainless Steel	Stainless Steel
<b>G</b>	KARGR5001	Fits E-410, E-415	Plastic Feet	Solid T304 Stainless Steel	Stainless Steel
<b>H</b>	KARGR5002	Fits E-420	Plastic Feet	Solid T304 Stainless Steel	Stainless Steel
<b>I</b>	KARGR5003	Fits E-440	Plastic Feet	Solid T304 Stainless Steel	Stainless Steel
<b>J</b>	KARGR1001	Fits E-510	Plastic Feet	Solid T304 Stainless Steel	Stainless Steel
<b>K</b>	KARGR1002	Fits E-520, E-525, E-528	Plastic Feet	Solid T304 Stainless Steel	Stainless Steel
<b>L</b>	KARGR1003	Fits E-540	Plastic Feet	Solid T304 Stainless Steel	Stainless Steel
<b>M</b>	KARGR1004	Fits E-550	Plastic Feet	Solid T304 Stainless Steel	Stainless Steel
<b>N</b>	KARGR1005	Fits E-560 large bowl	Plastic Feet	Solid T304 Stainless Steel	Stainless Steel
<b>O</b>	KARGR1006	Fits E-560 small bowl	Plastic Feet	Solid T304 Stainless Steel	Stainless Steel

A  
B  
C  
D  
E  
F  
G  
H  
I  
J  
K  
L  
M  
N  
O  
P  
Q  
R  
S  
T  
U  
V  
W  
X  
Y

**A SINK GRIDS**

**Stainless Steel Sink Grids**



Item #	Designed for Karran Sink Model	Includes	Construction	Finish
<b>A</b>	KARGR6001 Fits QA-740, QAR-740	Plastic Feet	Solid T304 Stainless Steel	Stainless Steel
<b>B</b>	KARGR6002 Fits QA-750, QAR-750	Plastic Feet	Solid T304 Stainless Steel	Stainless Steel
<b>C</b>	KARGR6003 Fits QA-760 large bowl / QAR-760 large bowl	Plastic Feet	Solid T304 Stainless Steel	Stainless Steel
<b>D</b>	KARGR6004 Fits QA-760 small bowl / QAR-760 small bowl	Plastic Feet	Solid T304 Stainless Steel	Stainless Steel
<b>E</b>	KARGR6010 Fits QT-610 / QU-610 large bowl	Plastic Feet	Solid T304 Stainless Steel	Stainless Steel
<b>F</b>	KARGR6011 Fits QT-610 / QU-610 small bowl	Plastic Feet	Solid T304 Stainless Steel	Stainless Steel
<b>G</b>	KARGR6012 Fits QT-670, QU-670	Plastic Feet	Solid T304 Stainless Steel	Stainless Steel
<b>H</b>	KARGR6013 Fits QT-671, QU-671	Plastic Feet	Solid T304 Stainless Steel	Stainless Steel
<b>I</b>	KARGR6005 Fits QT-710 / QU-710 left bowl	Plastic Feet	Solid T304 Stainless Steel	Stainless Steel
<b>J</b>	KARGR6006 Fits QT-710 / QU-710 right bowl	Plastic Feet	Solid T304 Stainless Steel	Stainless Steel
<b>K</b>	KARGR6007 Fits QT-711 / QU-711 left bowl	Plastic Feet	Solid T304 Stainless Steel	Stainless Steel
<b>L</b>	KARGR6008 Fits QT-711 / QU-711 right bowl	Plastic Feet	Solid T304 Stainless Steel	Stainless Steel
<b>M</b>	KARGR6009 Fits QT-712, QU-712	Plastic Feet	Solid T304 Stainless Steel	Stainless Steel
<b>N</b>	KARGR6017 Fits QT-720 / QU-720	Plastic Feet	Solid T304 Stainless Steel	Stainless Steel
<b>O</b>	KARGR6018 Fits QT-721 / QU-721 left bowl	Plastic Feet	Solid T304 Stainless Steel	Stainless Steel
<b>P</b>	KARGR6019 Fits QT-721 / QU-721 right bowl	Plastic Feet	Solid T304 Stainless Steel	Stainless Steel
<b>Q</b>	KARGR6020 Fits QT-722 / QU-722	Plastic Feet	Solid T304 Stainless Steel	Stainless Steel
<b>R</b>	KARGR6014 Fits QT-810 / QU-810	Plastic Feet	Solid T304 Stainless Steel	Stainless Steel
<b>S</b>	KARGR6015 Fits QT-811 / QU-811 large bowl	Plastic Feet	Solid T304 Stainless Steel	Stainless Steel
<b>T</b>	KARGR6016 Fits QT-811 / QU-811 small bowl	Plastic Feet	Solid T304 Stainless Steel	Stainless Steel

**POP-UP DRAINS**

**Brass Pop-Up Drains**

- Made of Brass
- Designed to fit in US standard 1-3/4" drain openings
- Designed for bathroom vanity sinks



A



B



C



D



E



F



G



H

A  
B  
C  
D  
E  
F  
G  
H  
I  
J  
K  
L  
M  
N  
O  
P  
Q  
R  
S  
T  
U  
V  
W  
X  
Y

	Item #	Designed for use with	Finish
A	KARPU25C	Vanity Bowls without Overflows	Chrome
B	KARPU25SS	Vanity Bowls without Overflows	Stainless Steel
C	KARPU25MB	Vanity Bowls without Overflows	Matte Black
D	KARPUOF25C	Vanity Bowls with Overflows	Chrome
E	KARPUOF25SS	Vanity Bowls with Overflows	Stainless Steel
F	KARPUOF25MB	Vanity Bowls with Overflows	Matte Black
G	KARDGOF	Vanity bowls that require an overflow system	Chrome
H	KARDRAINPOPOF	Vanity bowls that require an overflow system	Chrome

**A SINK ACCESSORIES**



**A**



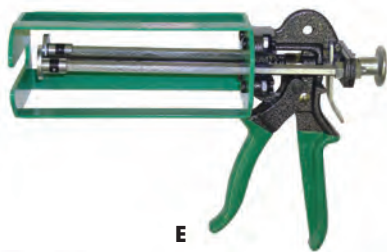
**B**



**C**



**D**



**E**



**F**



**G**



**H**



**I**



**J**



**K**



**L**



**M**

Item #	Description	
<b>A</b> KARBIT45DEG	Router bit: 45° Bevel Bit - 1/2" shank, 45° bevel, over-sized bearing - for 1/2" solid surface	
<b>B</b> KARBIT24DEG	Router bit: 24° Bevel Bit - 1/2" shank, 24° bevel, over-sized bearing - for 1/2" solid surface	
<b>C</b> KARBITLAM	Router bit: 10° Bevel Bit - 1/2" shank, 10° bevel, over-sized bearing - for laminate and 1/2" solid surface	
<b>D</b> KARBITPFORM	Router bit: Postform Bit - 1/4" shank, 15° bevel, over-sized bearing - for postform laminate	
<b>E</b> KARAG	Adhesive Gun - manual applicator gun for 250ml seaming adhesive cartridges	
<b>F</b>	KARBISSA	Bisque seaming adhesive (250ml) cartridge & 3 mixing tips - bonds sinks to laminate & solid surface
	KARBLSSA	Black seaming adhesive (250ml) cartridge & 3 mixing tips - bonds sinks to laminate & solid surface
	KARBRISSA	Brown seaming adhesive (250ml) cartridge & 3 mixing tips - bonds sinks to laminate & solid surface
	KARWHISA	White seaming adhesive (250ml) cartridge & 3 mixing tips - bonds sinks to laminate & solid surface
<b>G</b> KARTIPS	Cartridge mixing tip - for 250ml seaming adhesive cartridge, 20 per pack	
<b>H</b> KARLUSTERPRO	Luster Pro - a cleaning solution specially formulated to shine and protect quartz sinks, 8 fl. oz.	
<b>I</b> KARPOLISHKIT	Polishing kit - final finish polish for Edge stainless steel sinks	
<b>J</b> KARDISCCLIP	DISC Clips - used to install stainless steel sinks into stone, quartz and solid surface countertops, 10 per pack	
<b>K</b> KARPROPLUSTAPE	Protect Plus Tape - specially formulated installation tape for quartz sinks	
<b>L</b> KARSCUFFBALL4M	Scuffball - Maroon Scotch-Brite ball with 1/4" shank for refinishing satin brushed stainless steel sinks	
<b>M</b> KARFWF180	Non-Woven Flap Wheel - Scotch-Brite flap wheel (180 grit) for refinishing Edge sink bowl walls during install	

## BUTCHER BLOCK COUNTERTOP

### Solid Maple Butcher Block Countertop 1-3/4" Thick



- Perfect for any kitchen countertop or island top
- Made from the finest selected Northern Hard Maple
- Coated with a non-toxic acrylic finish which does not require any maintenance
- Clean it like any cutting surface
- Edge-grain lamination
- Durakryl 102 finish
- Square edge-type
- For a protective finish, "The Good Stuff" Wood Sealant (MMWW & MMWWQT) is sold separately

Item #	Size
MMG60X30	60"L x 30"W x 1-3/4"Thick
MMG60X36	60"L x 36"W x 1-3/4"Thick
MMG72X30	72"L x 30"W x 1-3/4"Thick
MMG72X36	72"L x 36"W x 1-3/4"Thick
MMG96X36	96"L x 36"W x 1-1/2"Thick

### "The Good Stuff" Wood Sealant



- Proprietary formulation specifically designed to be both durable and easy to apply
- It is essentially a gel urethane used as a finish for those times when a fabricator makes a cut on the Butcher Block or the user wishes to make touch ups to an existing block
- It can also be used to completely refinish a top

Item #	Description	Size
MMWW	The Good Stuff Wood Finish	Pint
MMWWQT	The Good Stuff Wood Finish	Quart

**A BUTCHER BLOCK COUNTERTOP**

**B Solid Maple Butcher Block Countertop**  
**C 1-1/2" Thick**



- Perfect for any kitchen countertop or island top
- Made from the finest selected Northern Hard Maple
- Coated with a non-toxic acrylic finish which does not require any maintenance
- Clean it like any cutting surface
- Edge-grain lamination
- Durakryl 102 finish
- Square edge-type
- For a protective finish, "The Good Stuff" Wood Sealant (MMWW & MMWWQT) is sold separately

Item #	Size
MMC18X25	18"L x 25"W x 1-1/2"Thick
MMC24X25	24"L x 25"W x 1-1/2"Thick
MMC36X25	36"L x 25"W x 1-1/2"Thick
MMC48X25	48"L x 25"W x 1-1/2"Thick
MMC60X25	60"L x 25"W x 1-1/2"Thick
MMC60X30	60"L x 30"W x 1-1/2"Thick
MMC72X25	72"L x 25"W x 1-1/2"Thick
MMC84X25	84"L x 25"W x 1-1/2"Thick
MMC96X25	96"L x 25"W x 1-1/2"Thick
MMC120X25	120"L x 25"W x 1-1/2"Thick

**R "The Good Stuff" Wood Sealant**



- Proprietary formulation specifically designed to be both durable and easy to apply
- It is essentially a gel urethane used as a finish for those times when a fabricator makes a cut on the Butcher Block or the user wishes to make touch ups to an existing block
- It can also be used to completely refinish a top

Item #	Description	Size
MMWW	The Good Stuff Wood Finish	Pint
MMWWQT	The Good Stuff Wood Finish	Quart



## DURASEIN SOLID SURFACE

### Solid Surface Sheets

- Showcasing collections of colors styled to coordinate with the most popular interior designs of today
- 100% acrylic solid surface sheet size: 1/2" Thick x 30"W x 144"L



All products are Greenguard Gold certified.  
All products are 100% acrylic.



All products are created by resusing post consumer acrylic. All products are composed of 27%+ recycled content.

	Color	Color Name	Item #	Adhesive Item #	Matching Adhesive
<b>WHITE COLLECTION</b>		Arctic White	DS1001-50-72	DSPC1001	Arctic White
		Bone	DS1003-50-72	DSPC2004	Bone
		Natural White	DS1002-50-72	DSPC2005	Cream
		Outre White	DS6005-50-72	DSPC1004	Outre White
		Whiteout	DS1004-50-72	DSPC1005	Ultimate White

	Color	Color Name	Item #	Adhesive Item #	Matching Adhesive
<b>BRILLIANT COLLECTION</b>		Bliss Blue	DS6003-50-72	DSPC7002	Tranquil Blue
		Cheerful Yellow	DS6002-50-72	DSPC2015	Yellow Sun
		Energy Orange	DS6004-50-72	DSPC8001	Orange Thrill
		Grape Green	DS6009-50-72	DSPC6002	Spring Green
		Nocturne	DS6006-50-72	DSPC4003	Coal
		Sea Blue	DS6008-50-72	DSPC7003	Blue Note
		Spiritual Purple	DS6012-50-72	DSPC7001	Purple Tango
		Vitality Red	DS6001-50-72	DSPC8002	Vibrant Red

	Color	Color Name	Item #	Adhesive Item #	Matching Adhesive
<b>LIVELY COLLECTION</b>		Boardwalk	DS5003-50-72	DSPC2020	Sandwood
		Galaxy	DS5005-50-72	DSPC3006	Dark Gray
		Harbor Mist	DS5001-50-72	DSPC3008	Frosty Mist
		Royal Carrera	DS5009-50-72	DSPC3008	Frosty Mist
		Victoria Falls	DS5010-50-72	DSPC2017	Concrete
		Volcano	DS5004-50-72	DSPC5007	Umber
		Weathered Wood	DS5002-50-72	DSPC2002	Floral White

	Color	Color Name	Item #	Adhesive Item #	Matching Adhesive
<b>BALANCED COLLECTION</b>		Bianca Sabbia	DS5018-50-72	DSPC1005	Ultimate White
		Grigio	DS5017-50-72	DSPC2018	Platinum
		Naturale	DS5016-50-72	DSPC3001	Smoke

	Color	Color Name	Item #	Adhesive Item #	Matching Adhesive
<b>ROOTED COLLECTION</b>		Barnwood	DS5033-50-72	DSPC2028	Sandcastle
		Hickory	DS5031-50-72	DSPC5004	Peach

**A DURASEIN SOLID SURFACE**

**B Solid Surface Sheets**

- Showcasing collections of colors styled to coordinate with the most popular interior designs of today
- 100% acrylic solid surface sheet size: 1/2" Thick x 30"W x 144"L



All products are Greenguard Gold certified.  
All products are 100% acrylic.



All products are created by reusing post consumer acrylic. All products are composed of 27%+ recycled content.

**G H I J K L M N O P Q R S T U V W X Y**

	Color	Color Name	Item #	Adhesive Item #	Matching Adhesive
<b>TIMELESS COLLECTION</b>		Bella Vista	DS3008-50-72	DSPC2021	Beige
		Bellingham Grey	DS3016-50-72	DSPC3010	Stone Gray
		Chez Linen	DS2005-50-72	DSPC2016	Butter Cream
		Coal	DS2009-50-72	DSPC4003	Coal
		Concrete	DS3018-50-72	DSPC5010	Tan
		Cumberland	DS3003-50-72	DSPC2014	Natural Sand
		Glacier Tundra	DS3011-50-72	DSPC1003	Natural White
		Iceberg	DS3015-50-72	DSPC3007	Glacier Gray
		Nightfall	DS4001-50-72	DSPC4001	Black Onyx
		Oahu	DS2001-50-72	DSPC5007	Umber
		Odyssey	DS3009-50-72	DSPC2006	Ivory
		Parthenon	DS2002-50-72	DSPC2014	Natural Sand
		Platinum Grey	DS3005-50-72	DSPC3005	Silver
	Silver Falls	DS3012-50-72	DSPC3008	Frosty Mist	
	Smokey Mountain	DS3006-50-72	DSPC5014	Earth	

	Color	Color Name	Item #	Adhesive Item #	Matching Adhesive
<b>CHARMING COLLECTION</b>		Eventide	DS5015-50-72	DSPC4005	Raven
		Harmony	DS5011-50-72	DSPC3001	Smoke
		Luna	DS5014-50-72	DSPC1003	Natural White
		Naturally	DS5013-50-72	DSPC1003	Natural White
		Serenity	DS5012-50-72	DSPC3002	Gainsboro

	Color	Color Name	Item #	Adhesive Item #	Matching Adhesive
<b>DREAMY COLLECTION</b>		Light Haze	DS5042-50-72	DSPC3008	Frosty Mist

**V Adhesive Gun & Tip**



Solid Surface Adhesive Gun



Tip for Adhesive Cartridge

Item #	Description	Sold In
GLS909-GUN	250ml Premium Solid Surface Adhesive Gun	Each
GLS909-MIXTIP	Tip for 9oz (250ml) Adhesive Cartridge	Each

# DURASEIN SOLID SURFACE SINKS

## Undermount Sinks

- 100% Acrylic, easy to clean, non-porous
- Stain, mold and mildew resistant
- Suitable for residential and commercial applications
- Installation: no faucet holes and drain assembly not included
- Durasein solid surface sinks are certified by Home Innovation Research Labs and tested in accordance with CSA B45.5/IAPMO Z124
- ADA compliant when installed in accordance to ADA guidelines
- 10 year limited warranty against manufacturing defects under normal use



NOTE: Durasein products are not available in all Würth Louis and Company markets. Please contact your sales representative for more information.



A



B



C



D



E

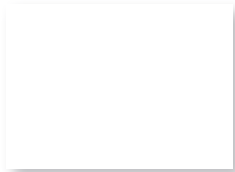
	Item #	Outside Dimensions	Inside Dimensions	Includes Integrated Overflow	Finish
A	DSB100-1002	16-9/16" x 12-5/8"	14-9/16" x 10-7/16" x 5-5/16"	Yes	Natural White
B	DSB110-1001	18-5/16" x 15-3/16"	16-1/8" x 12-13/16" x 5-1/8"	Yes	Arctic White
	DSB110-1002	18-5/16" x 15-3/16"	16-1/8" x 12-13/16" x 5-1/8"	Yes	Natural White
C	DSB120-1002	19-1/8" x 15-9/16"	17-1/8" x 13-1/8" x 4-3/4"	Yes	Natural White
D	DSBK350-1001	30-7/8" x 18-13/16"	28-9/16" x 16-9/16" x 9-1/4"	No	Arctic White
E	DSBDL379A-1001	19-1/2" x 14-3/8" x 6-3/4"	18" x 12-3/4" x 5"	No	Arctic White
	DSBDL379A-1002	19-1/2" x 14-3/8" x 6-3/4"	18" x 12-3/4" x 5"	No	Natural White

A  
B  
C  
D  
E  
F  
G  
H  
I  
J  
K  
L  
M  
N  
O  
P  
Q  
R  
S  
T  
U  
V  
W  
X  
Y

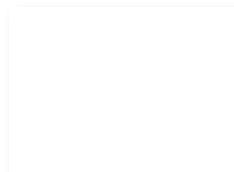
**A 909 HPL COMMODITY COLORS**

**B 909 HPL Commodity Colors**

909 HPL products are not offered in all Würth Louis and Company markets.  
NOTE: Please contact your sales representative for more information.



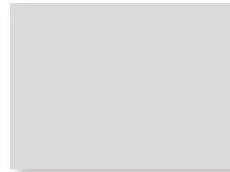
**GL102** Bright White  
(WAD354 Designer White,  
FL459 Brite White)



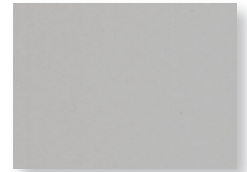
**GL149** White  
(FL949 Brite White)



**GL103** Cool White  
(WA1573-60 Frosty White,  
FL9244 Classic White)



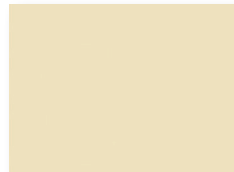
**GL108** Stone Gray  
(WAD381 Fashion Grey)



**GL105** Feather Gray  
(WAD92 Dove Grey, FL961 Fog)



**GL109** Black  
(WA1595 Black, FL909 Black)



**GL104** Almond  
(WAD30 Natural Almond,  
FL920 Almond)

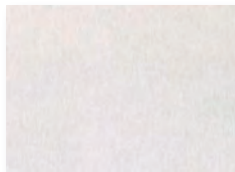


**GL206** Natural Maple  
(WA7911 Manitoba Maple,  
FL86922 Hard Rock Maple)



**GL204** Tumeric Maple  
(WA7909 Fusion Maple,  
FL7012 Amber Maple)

**M Commodity Metals**



**GL9001** Brushed Aluminum



**GL9002** Brushed Nickel

All sheets are 4x8 unless otherwise noted	
Vertical Grade (.028 Thick)	-2859
Vertical Grade (.024 Thick)	-2459 (102, 103 & 109 Only)
Postform Grade (.039 Thick)	-3959 (102, 103 and 109 also available in 5x12)
Liner Grade (.020 Thick)	-2059 (20102, 20103 & 20109 Only)
Commodity Metal Grade (.028 Thick)	-2889
Phenolic Brown Backer (.020 Thick)	GL20100-2000-48
White Marker Board (.028 Thick)	GL30101-2849-48

All colors available in (-59) Matte finish except for Metals (-89) Brushed finish.  
Example: Item # GL109-2859-48 = Black .028 Thick, Matte finish, 4' x 8'.

**Sample Chain for 909 HPL Commodity Colors: GL909CH-COMM**

## FORMICA EVERFORM

### Formica Everform (Solid Surface)

As tough as it is beautiful, Formica® Everform shapes itself to virtually any design concept, offering a palette of modern colors in every mood. The durable, non-porous solid surface is ideal for a worktable or custom bar top, as well as sinks and shower surrounds. Consider this collection on your next Healthcare, Education, Hospitality or Residential project. Your design creativity with Formica® Everform has no boundaries.



NOTE: Formica products are not available in all Würth Louis and Company markets. Please contact your sales representative for more information.



A
B
C
D
E
F
G
H
I
J
K
L
M
N
O
P
Q
R
S
T
U
V
W
X
Y

**A FORMICA EVERFORM SEAM ADHESIVE**
**B Formica Everform Seam Adhesive Color Match Chart**


Formica Everform Item #	Formica Everform Color	WLAC Seam Adhesive Item #
102	Arctic	FSC934
103	Frost	FSC874
109	Brite White	FSC890
333	Wheat Matrix	FSC893
403	Glacier Ore	FSC874
408	Luna Brite White	FSC858
410	Argento Terrazzo Matrix	FSC898
411	Grafite Terrazzo Matrix	FSC857
412	Dalmata Terrazzo Matrix	FSC934
413	Tumbled Glass	FSC934
415	Luna Steel	FSC885
416	Luna Pewter	FSC898
417	Gamma Gray	FSC898
501	Black Lava	FSC855
505	Sea Glass	FSC858
601	Bleached Concrete	FSC858
607	Ashen Concrete	FSC885
608	Limed Concrete	FSC885
656	River Rock Mosaic	FSC889
733	Mirage	FSC898
737	Gray Galaxy	FSC885
742	Blanco Terrazzo	FSC858
744	Crema Terrazzo	FSC858
748	White Renew	FSC890
749	Gray Renew	FSC885
757	Luna Sand	FSC890
758	Bianco Mineral	FSC890
766	Portofino Mineral	FSC870
770	Bottle Glass Quartz	FSC898
772	Copper Quartz	FSC856
773	Luna Sail White	FSC874
775	Luna Storm	FSC882
778	White Sparkle	FSC854
780	Luna Stone	FSC885
781	Luna Concrete	FSC885
782	Luna Weather	FSC857
783	Vapor	FSC858
931	White Spex	FSC858

# FORMICA HPL LAMINATE

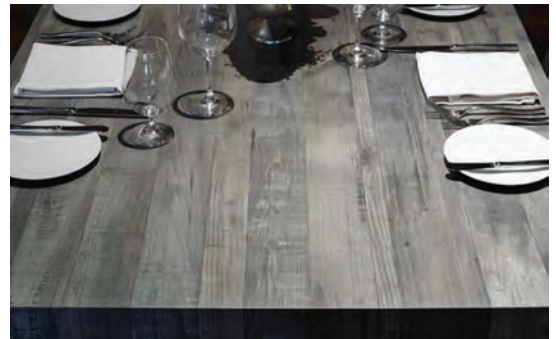
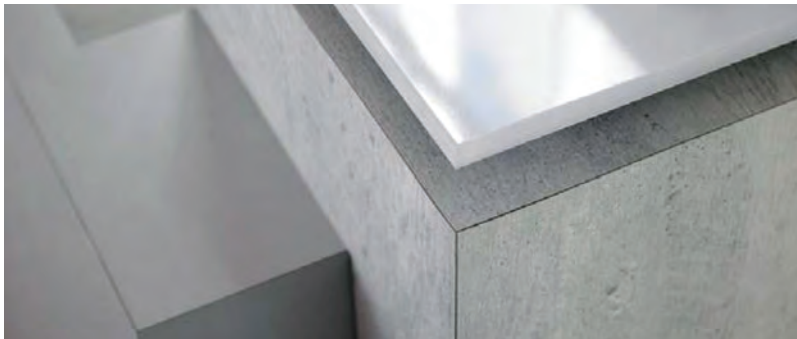
## Formica HPL Laminate



Today's laminates come in vibrant upbeat hues, nature inspired tones and well-chosen neutrals that go with everything. Mix and match using all of Formica's various products such as 180FX, Decometal, ColorCore2, Ideal Edge and their anti-finger print laminates, Infiniti.

Formica's HardStop Decorative Panel offers a high-performance, impact resistant solution through the use of a durable, Class A rated fiberglass core. ColorCore2 Compact brings together two of Formica specialty surfaces to create a structural, two-sided laminate that provides color all the way through so there is no dark edge. Versatile, practical and beautiful, ColorCore2 Compact and HardStop offer endless creative possibilities for fixtures and furniture in commercial, institutional & hospitality settings that coordinates perfectly with other Formica laminates.

NOTE: Formica products are not available in all Würth Louis and Company markets.



A  
B  
C  
D  
E  
F  
G  
H  
I  
J  
K  
L  
M  
N  
O  
P  
Q  
R  
S  
T  
U  
V  
W  
X  
Y

## A PIONITE HPL LAMINATE

### B Pionite Laminate



C Pionite® High Pressure Laminates come in a vast array of colors, wood grains, abstracts, finishes  
D and custom prints making this an ideal surface for almost any horizontal or vertical application.

E Whether it's a residential or commercial application, architects and designers specify Pionite® HPL for countertops,  
F vanities, cabinets, store fixtures, furniture, post-forming applications and much more.

G Check out Pionite FRL®. It is a patented product from Panolam® Surface Systems. The solid construction with fiberglass reinforcement gives FRL® its unique  
H qualities. The superior performance of Panolam FRL® is designed to stand up to environments where there is a lot of activity. Typical locations for FRL®  
I include hospitals, schools, fast food restaurants, department stores and high-density public areas in airports and mass transit facilities.

J NOTE: Pionite products are not available in all Würth Louis and Company markets. Please contact your sales representative for more information.





## NEVAMAR HPL LAMINATE

### Nevamar® HPL Laminate



Nevamar High Pressure Laminates (HPL) are more versatile than ever, with more design-forward patterns, accent colors, and finishes than ever before.

Check out Nevamar FRL®. It is a patented product from Panolam® Surface Systems. The solid construction with fiberglass reinforcement gives FRL® its unique qualities. The superior performance of Panolam FRL® is designed to stand up to environments where there is a lot of activity. Typical locations for FRL® include hospitals, schools, fast food restaurants, department stores and high-density public areas in airports and mass transit facilities. Contact a sales representative today for more information.

NOTE: Nevamar products are not available in all Würth Louis and Company markets.



- A
- B
- C
- D
- E
- F
- G
- H
- I
- J
- K
- L
- M
- N
- O
- P
- Q
- R
- S
- T
- U
- V
- W
- X
- Y

## A PANOLAM HPL LAMINATE

### B Panolam HPL Laminate

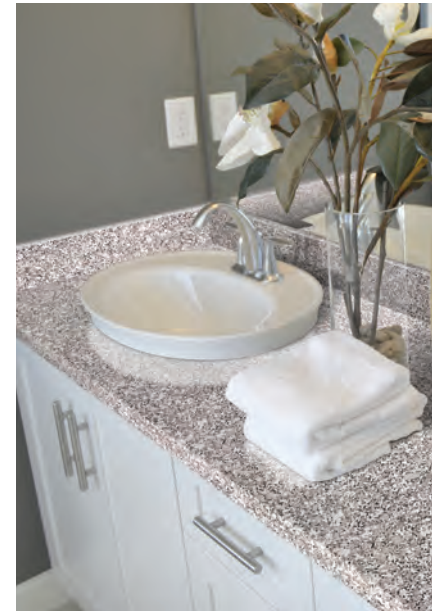


C Panolam HPL is among the most versatile surfaces, making it a great choice for a range of interior horizontal and vertical applications where an attractive, yet resilient, surface solution is required.

D Panolam Basics brings you more value in the popular everyday colors you need. Basics line provides you with an affordable offering for your most competitive projects.

E Inspired by nature, the Lifestyle Collection by Panolam is a specially curated collection of stones that will create a home full of artful beauty. Featuring Evolution and Natural Stone finishes which mimic the characteristics of natural stone, you can create a comfortable, relaxing atmosphere while expressing your individuality.

F NOTE: Panolam products are not available in all Würth Louis and Company markets. Please contact your sales representative for more information.



Y

# PANOLAM DUET WALL PANEL

## Panolam Duet Wall Panel



Panolam’s Duet Wall Panels provide wall protection for commercial interior settings that not only require strong design elements, but also demand high sanitary standards – including moisture, mold and mildew resistance.

This hard-working, easy-to-clean surface solution can help satisfy most any design vision by using digital printing, high quality inks and a scratch-resistant coating. As a result, these panels offer high impact strength, will never rot, corrode, rust or delaminate and come with a proprietary coating that protects against fading from ultraviolet sources.

Division Bar molding perfectly matched to the pattern on the panels with enhanced scratch-resistant coating is standard. Available in ten standard and infinite custom designs, Duet panels easily fit with any interior style!

NOTE: Panolam products are not available in all Würth Louis and Company markets. Please contact your sales representative for more information.



Shelton  
(Red Brick)



Savannah  
(Aged Brick)



Stonington  
(Stacked Stone)



Portland  
(Shiplap)



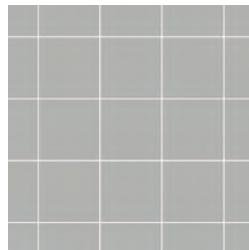
Morristown  
(Barn Plank)



Brooklyn  
(White Subway Tile with Gray Grout)



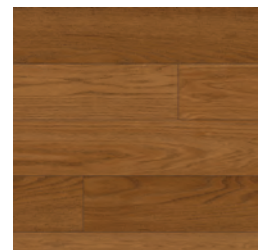
Broadway  
(White Subway Tile with White Grout)



Lexington  
(6x6" Gray Tile with White Grout)



Carrollton  
(Concrete)



Albany  
(Oak Plank)



- A
- B
- C
- D
- E
- F
- G
- H
- I
- J
- K
- L
- M
- N
- O
- P
- Q
- R
- S
- T
- U
- V
- W
- X
- Y

**A PANOLAM FRP**

**Panolam FRP**

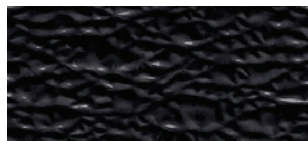


Fiberglass Reinforced Plastic (FRP) is the wall and ceiling panel from Panolam Surface Systems for those high traffic installations requiring durability and high sanitary standards as well as moisture, mildew and chemical resistance.

NOTE: Panolam FRP products are not available in all Würth Louis and Company markets. Please contact your sales representative for more information.



White



Black



Almond



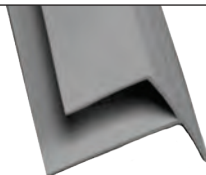
Gray

Description	Thickness	Finish	Size (Class C Fire Rated)
FRP Sheet	.090 (-090)	Embossed (T)	4'x8' (-48C) or 4'x10' (-40C)

NOTE: Colors Silver, Taupe, Sky, Ivory, Beige and Sage are available as Special Order.

Item #	Description
FR4054	4 Gal Fast Grab FRP Adhesive

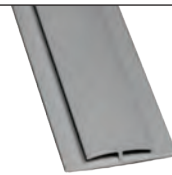
**Trim Moldings:**



Outside Corner (-OC)



Inside Corner (-IC)



Division Bar (-DB)



End cap (-EC)



Description	Size
Outside Corner (-OC)	8' (-8)
	10' (-10)
Inside Corner (-IC)	8' (-8)
	10' (-10)
Division Bar (-DB)	8' (-8)
	10' (-10)
End Cap (-EC)	8' (-8)
	10' (-10)



## PANOLAM FRL

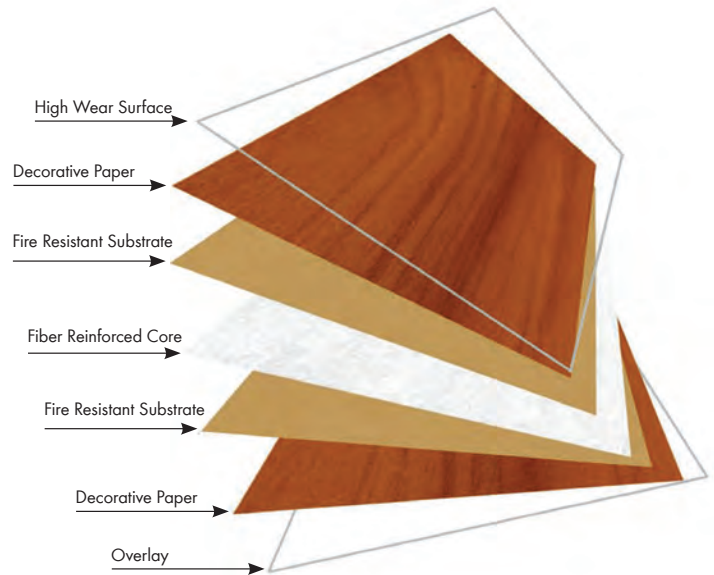
### Panolam FRL

Fiber Reinforced Laminate (FRL) is engineered and manufactured to exacting standards, FRL decorative surfaces provides high-impact protection 13 times higher than vinyl and substantially lower smoke and flame spread than other competitive products. This wall panel provides ease of installation, job-site workability, long lasting style and exceptional durability year-after-year. The quality and versatility of the FRL panels make them the ideal wall surfacing solution in almost any environment. Available in 200+ colors and patterns.

#### Finishes:

- \*Suede: Low gloss, textured finish.
- \*Ashwood: Fine wood finish with a cathedral grain. Embossed wood grain.
- \*Crystal: Fine pebble grained finish with a medium gloss/subtle dimensional with high light reflectivity.
- \*Line Z: Deeply embossed, linear wood grain finish.
- \*Soft Leather: Finely grained leather finish.
- \*Wood Essence: Natural-appearing, linear wood grain finish.

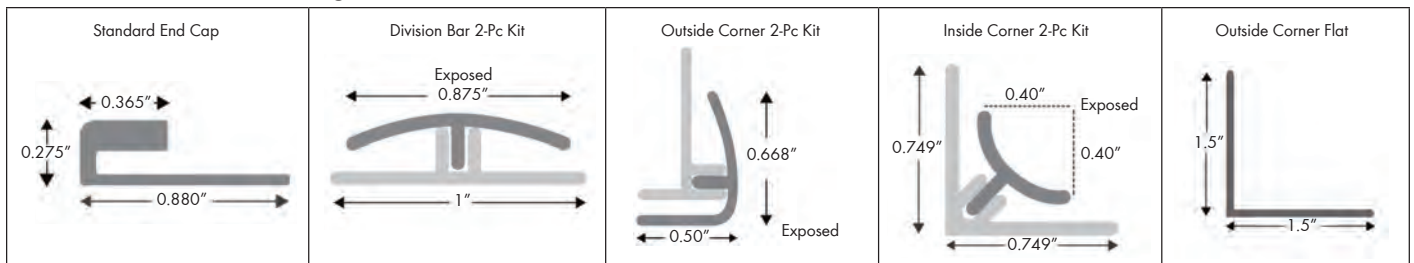
NOTE: Pionite products are not available in all Würth Louis and Company markets. Please contact your sales representative for more information.



#### Pionite/Nevamar FRL

3', 4' or 5' W by 8' or 10' L (Max 8' for horizontal applications)  
 5 sheet min per size/color  
 .075 thick for Wall Panels, .062 thick for Doors"

#### Pionite/Nevamar FRL Moldings



#### Description \* All Special Order

Standard End Cap 10' Clear Anodized Aluminum
Division Bar Kit 10' (part A&B) Clear Anodized Aluminum
Outside Corner Flat 10' (part A&B) Clear Anodized Aluminum
Inside Corner Kit 10' (part A&B) Clear Anodized Aluminum
Outside Corner Flat 10' Anodized Aluminum, 1-1/2" x 1-1/2"
Green Choice Panel Adhesive 3.5 gal (covers approx 210 sq ft), Item # FR4319

**Seamfil or Color Rite Adhesive will match to any laminate selected. Available in 5.5 oz tubes**

NOTE: 10.3 oz tubes are available as custom orders. FRL panels are Made to Order with a lead time of 3-4 weeks.

A  
B  
C  
D  
E  
F  
G  
H  
I  
J  
K  
L  
M  
N  
O  
P  
Q  
R  
S  
T  
U  
V  
W  
X  
Y

**A RICHWOOD INDUSTRIES POLYBAK, DRY ERASE & TACKABLE PANELS**

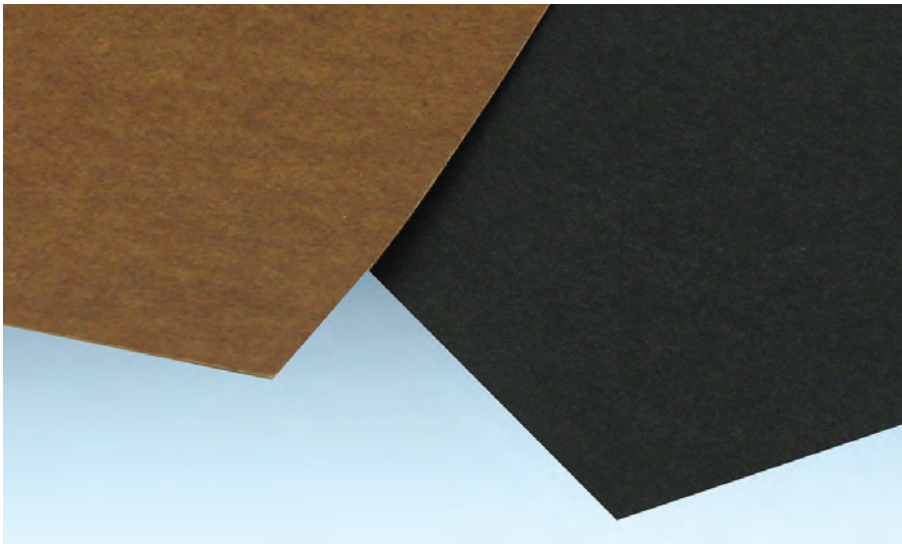
**B Richwood PolyBak, Dry Erase and Tackable Panels**



**C** Richwood's PolyBak is a polymer impregnated Kraft liner board and is unique in the backer and overlay market due to its moisture resistance, strength, flexibility and extensive variety of products offered. Unlike competing paper backers, **D** PolyBak is not brittle, allowing it to be rolled and bent without breaking.

**E** With the highest quality, non-ghosting dry-erase on the market, Richwood offers regular and magnetic, as well as one and two-sided, markerboards which is consistently specified by the office furniture industry.

**F** Richwood is the leader in innovative tackable solutions. The base tackable material - wood-fiber Softboard - allows for greater flexibility in developing tackable panels such as Ply High-Strength Tackboard Softboard panels on face and back of high-density fiberboard (HDF), 1/2" thick corkboard panel with premium cork veneer face and Softboard core) and Smartcore (FSC Mix Credit Certified, wood-fiber Softboard with a smooth finish and consistent density.)



**X**  
**Y**

**SECTION Y - TABLE OF CONTENTS**

**Section Y Contents:**

Amana Profiling Bits .....2  
 Amana Invectra™ and Plastic Cutting™ Bits.....3  
 Amana Straight Plunge Bits ..... 4-5  
 Amana Panel Pilot Bits .....5  
 Amana Spiral Flute Plunge Bits..... 6-7  
 Amana Trim Bits.....8-11  
 Amana Solid Surface Bits ..... 12-13  
 Amana Sink Bits..... 13  
 Amana Ball Bearings ..... 14  
 Amana Slotting Cutters ..... 15  
 Bosch Trim/Plunge Bits..... 16-17  
 Bosch Joint Making & Edge Forming Bits ... 18  
 Countersinks ..... 18-19  
 Drill Bits ..... 20-21  
 Vix Bits..... 22  
 Boring Bits..... 22-23  
 Würth Jig Saw Blades..... 24-25  
 Bosch Jig Saw Blades ..... 26-27  
 Würth Holesaws & Saw Blades ..... 28  
 Amana & A.G.E. Saw Blades ..... 29-32



A  
B  
C  
D  
E  
F  
G  
H  
I  
J  
K  
L  
M  
N  
O  
P  
Q  
R  
S  
T  
U  
V  
W  
X  
Y



**A** AMANA PROFILING BITS

B  
C  
D  
E  
F  
G  
H  
I  
J  
K  
L  
M  
N  
O  
P  
Q  
R  
S  
T  
U  
V  
W  
X  
Y



**Chamfer Carbide Tipped, 2 Flute with Ball Bearing Guide**



- Chamfer or bevel edges for decorative effect or to form edge miter joints
- Produces crisp, uniform edges at accurate angles to make 4-, 6-, 8-, 12- or 16- sided boxes

Item #	D Cutting Diameter	B Cutting Height	d Shank Diameter	L Overall Length	a° Angle
AN49400	1-1/4"	1/2"	1/4"	2"	45°
AN49402	1-1/4"	1/2"	1/2"	2-3/8"	45°



**Corner Rounding, Carbide Tipped, 2 Flute with Ball Bearing Guide**



- Rounds an edge to a given radius, the tool is shouldered to cut a fillet
- The cut can be used to ease edges, as a simple profile, or as a part of a complex one

Item #	D Cutting Diameter	D1	R Radius	B Cutting Height	Diameter	Overall Length
AN49492	5/8"	1/2"	1/16"	5/16"	1/4"	1-3/4"
AN49496	3/4"	1/2"	1/8"	3/8"	1/4"	2"
AN49504	1"	1/2"	1/4"	1/2"	1/4"	2"
AN49512	1-1/4"	1/2"	3/8"	5/8"	1/4"	2-3/16"
AN49516	1-1/2"	1/2"	1/2"	3/4"	1/4"	2-1/4"
AN49518	1-1/2"	1/2"	1/2"	3/4"	1/2"	2-5/8"
AN49519*	1-3/4"	1/2"	5/8"	7/8"	1/2"	2-3/4"

\*Maximum RPM 28,000.



**Multi-Rabbet Set Carbide Tipped, 2 Flute with Ball Bearing Guide**



- The Multi-Rabbet bit steps in 1/16" increments from a 1/8" cut width to 1/2", simply by switching ball-bearing guides
- Six different bearings are provided
- Depth of cut capacity of 1/2"
- Use in a handheld or table-mounted router



Item #	D Cutting Diameter	A	B Cutting Height	d Diameter	L Overall Length
AN49340	1-3/8"	1/8", 1/4", 5/16", 3/8", 7/16", 1/2"	1/2"	1/4"	2"
AN49350	1-3/8"	1/8", 1/4", 5/16", 3/8", 7/16", 1/2"	1/2"	1/2"	2-3/8"



**AMANA INVECTRA & PLASTIC CUTTING BITS**

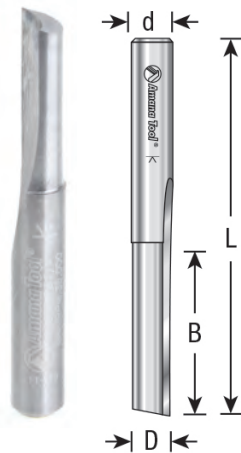


**Invectra™ Aluminum Laminate Trim Bit  
Solid Carbide Spiral, 2 Flute with  
Ball Bearing Guide**



- Designed for trimming all decorative aluminum laminates manufactured by Formica® (except #2178), Advanced Technology Inc. (ATI™), DecoMetal® and many others
- Each bit is fitted with a steel bearing guide that enables users to trim laminate materials flush
- Not for use on stainless steel

Item #	D Cutting Diameter	B Cutting Height	d Shank	L Overall Length
AN51430	1/4"	5/8"	1/4"	2-3/8"

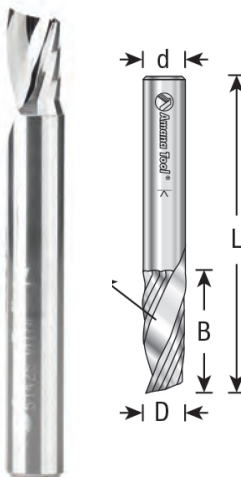


**Solid Carbide Single 'O'  
Flute Plastic Cutting**



- Solid carbide with unique circular 'O' flute design to eject chips more easily
- Single flute for fast cutting in soft plastics such as PVC, styrene, ABS, etc

Item #	D Cutting Dia.	B Cutting Height	d Shank	(L) Overall Length
AN43508	1/4"	3/4"	1/4"	2"



**Solid Carbide CNC Spiral 'O' Single Flute,  
Plastic Cutting, Up-Cut**

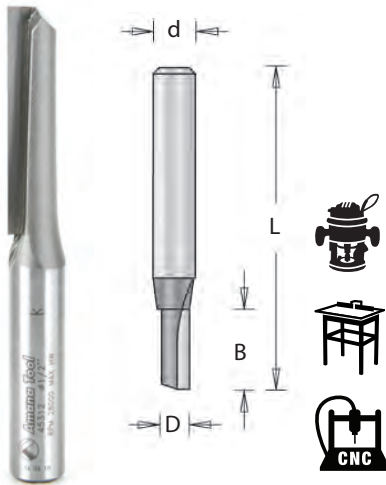


- Produce super clean, smooth cuts especially in acrylic materials (Plexiglas® Lucite®) other plastics and wood
- Bits are made according to strict tolerances from an exclusive carbide grade and polished to a mirror finish using Amana's unique process
- Designed to eject chips up. Ideal for industrial applications and CNC machines
- Right hand helix right hand cut

Item #	D Cutting Dia.	B Cutting Height	d Shank	(L) Overall Length
AN51425	1/4"	3/8"	1/4"	2"

**A** AMANA STRAIGHT PLUNGE BITS

**B**  
**C**  
**D**  
**E**  
**F**  
**G**  
**H**  
**I**  
**J**  
**K**  
**L**  
**M**  
**N**  
**O**  
**P**  
**Q**  
**R**  
**S**  
**T**  
**U**  
**V**  
**W**  
**X**  
**Y**

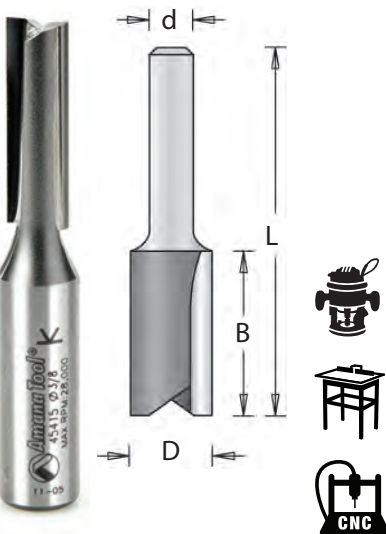


**High Production Straight Plunge Carbide Tipped, Single Flute**

- Extra strong carbide, last 200% longer
- Superior geometric design provides super clean cuts
- Cost effective



Item #	D Cutting Diameter	B Cutting Height	d Diameter	L Overall Length
AN45100	1/8"	7/16"	1/4"	2"
AN45108	1/4"	1"	1/4"	2-1/4"
AN45308	1/2"	1-1/4"	1/2"	2-7/8"
AN45312	1/2"	2"	1/2"	4-1/4"



**High Production Straight Plunge Carbide Tipped, 2 Flute**

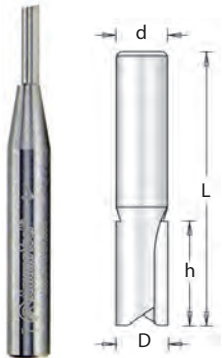
- Use a two-flute bit where fine finish is paramount
- Two flutes balance the bit, eliminating vibration that degrades the cut finish
- Two cuts per revolution for a smooth surface; feed rate is slightly reduced
- Extra strong carbide, last 200% longer
- Superior geometric design provides super clean cuts in wood, MDF and plywood
- Cost effective



Item #	D Cutting Diameter	B Cutting Height	d Diameter	L Overall Length
AN45200*	1/8"	7/16"	1/4"	2"
AN45204	1/4"	1/2"	1/4"	2"
AN45208	1/4"	3/4"	1/4"	2
AN45210	1/4"	1"	1/4"	2-1/4"
AN45226	1/2"	1"	1/4"	2-1/8"
AN45230	3/4"	3/4"	1/4"	2"
AN45408	1/4"	3/4"	1/2"	2-1/2"
AN45414	3/8"	1"	1/2"	2-3/4"
AN45415**	3/8"	1-1/4"	1/2"	3"
AN45416	7/16"	1-1/4"	1/2"	3"
AN45418	1/2"	1"	1/2"	2-5/8"
AN45420	1/2"	1-1/4"	1/2"	2-7/8"
AN45422	1/2"	1-1/2"	1/2"	3-1/8"
AN45426	1/2"	2"	1/2"	4-1/4"
AN45427**	1/2"	2-1/2"	1/2"	4-1/2"
AN45438	3/4"	1"	1/2"	2-5/8"
AN45440	3/4"	1-1/4"	1/2"	2-7/8"
AN45448	1"	1-1/4"	1/2"	2-7/8"

NOTE:  
\*Not guaranteed due to extremely small diameter.  
\*\*Not guaranteed due to extreme length.

## AMANA STRAIGHT PLUNGE & PANEL PILOT BITS



### High Production Straight Plunge, Solid Carbide, Single Flute



- For high volume, high speed cutting in dense natural woods and abrasive wood composites
- Solid carbide dissipates heat more uniformly, extending tool life
- Maximum RPM = 28,000

Item #	D Cutting Diameter	B Cutting Height	d Diameter	L Overall Length
AN43700	1/8"	7/16"	1/4"	2"

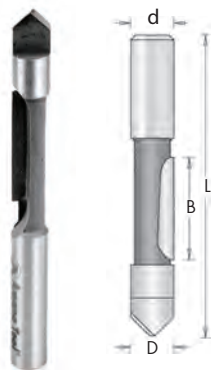


### Production Shear Carbide Tipped, 2 Flute, 3° Down-Shear



- Excellent for working composition board and melamine
- These bits cut with a shearing action, slicing very slightly downward to prevent chipping & tearing of the surface veneer or coating
- Bits auger chips away from the router
- Designed primarily for production applications where the router is above the work

Item #	D Cutting Diameter	B Cutting Height	d Diameter	L Overall Length
AN45420-PS	1/2"	1-1/4"	1/2"	2-7/8"
AN45426-PS	1/2"	2"	1/2"	4-1/4"



### Panel Pilot Carbide Tipped, Single Flute, Heat Treated



- Features a pointed tip for plunge cuts, a special grind for speed and an integral solid pilot
- Designed for fast cut-out work and is used extensively in the mobile/motor home, caravan, star wagon, trailer, coach and RV industries
- This single-flute version cuts fast and produces an excellent finish

Item #	D Cutting Diameter	B Cutting Height	d Shank Diameter	L Overall Length	Flute Grind Type
AN45506	1/4"	3/4"	1/4"	2-1/2"	Concave



### Undersized Plywood Dado Plunge, Carbide Tipped, 2 Flute

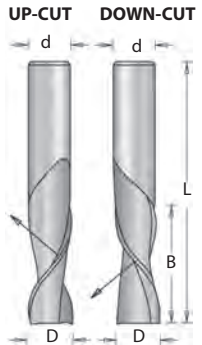


- Two-flute bit for when fine finish is paramount
- Two flutes balance the bit, eliminating vibration that degrades the cut finish
- Two cuts per revolution yield a smooth surface, but feed rate is slightly reduced
- Plywood Thickness 3/4 minus 1/32

Item #	D Cutting Dia.	B Cutting Height	d Shank	(L) Overall Length
AN45445	23/32"	1-1/4"	1/2"	2-7/8"

**A AMANA SPIRAL FLUTE PLUNGE BITS**

B  
C  
D  
E  
F  
G  
H  
I  
J  
K  
L  
M  
N  
O  
P  
Q  
R  
S  
T  
U  
V  
W  
X  
Y

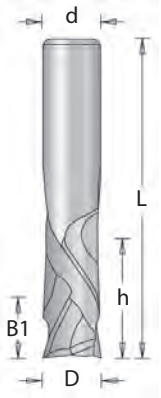


**Spiral Flute Plunge  
Solid Carbide, 2 Flute, Up-Cut & Down-Cut**



- Spiral-flute bits combine a shearing action in cutting with an augering action in chip clearance
- The 'Up-Cut' shears from the bottom up pulling chips from the bottom up thus allowing deeper penetration with less stress on the tool
- Special unique carbide grade increased clearance geometry and razor-sharp cutting edges with polished flutes provide a superior finish and longer tool life especially in abrasive materials
- Great for production settings and excellent for creating grooves and dado cuts in particleboard, plywood and laminate

Item #	D Cutting Diameter	B Cutting Height	d Diameter	L Overall Length
<b>Up-Cut Bits</b>				
AN46100	1/8"	1/2"	1/4"	2"
AN46102	1/4"	3/4"	1/4"	2-1/2"
<b>Down-Cut Bits</b>				
AN46201	3/16"	3/4"	1/4"	2"
AN46202	1/4"	3/4"	1/4"	2-1/2"
AN46415	1/4"	1"	1/4"	2-1/2"
AN46206	1/2"	1-1/4"	1/2"	3"



**CNC Compression Spiral Flute  
Solid Carbide, 2 Flute, for MDF/Laminate**



- Special carbide for longer lifetime in abrasive material
- Designed for CNC applications requiring high feed rates and a clean finish
- Particularly suitable for double-sided melamine or laminated material

Item #	D Cutting Diameter	B Cutting Height	B1	d Diameter	L Overall Length
AN46170	1/4"	7/8"	7mm	1/4"	2-1/2"
AN46174	3/8"	1"	9mm	1/2"	3"
AN46188	1/2"	1-1/4"	11mm	1/2"	3"
AN46190	1/2"	1-5/8"	13mm	1/2"	3-1/2"

## AMANA SPIRAL FLUTE PLUNGE & TRIM BITS



**SPEKTRA**  
EXTREME TOOL LIFE COATING

UP TO  
**2.5X**  
LONGER LIFE  
(COMPARED TO UNCOATED BITS)



### CNC Compression Spiral Flute Solid Carbide, 2 & 3 Flute, For MDF/Laminate



- Designed for CNC applications requiring high feed rates and a clean finish
- Particularly suitable for double-sided melamine or laminated material
- The Spektra™ nACo® nanocomposite coating is a micro thin ceramic coating which enables the tool's cutting edge to retain crucial sharpness and lubricity

Item #	D Cutting Diameter	B Cutting Height	B1	d Diameter	L Overall Length
<b>2 Flute</b>					
AN46170-K	1/4"	7/8"	7mm	1/4"	2-1/2"
AN46171-K	3/8"	7/8"	.200"	3/8"	3"
AN46172-K	3/8"	1-1/4"	9mm	3/8"	3"
AN46188-K	1/2"	1-1/4"	11mm	1/2"	3"
AN46190-K	1/2"	1-5/8"	13mm	1/2"	3-1/2"
<b>3 Flute</b>					
AN46010-K	3/8"	1-1/8"	9mm	3/8"	3"
AN46012-K	1/2"	1-1/4"	9mm	1/2"	3"



### Flush Trim Plunge Template Carbide Tipped, 2 Flute with Upper Ball Bearing



- These bits are essentially a plunge-cutting straight with a shank-mounted ball-bearing pilot
- Versatile, useful for template/pattern routing of parts, joints, internal cuts
- Can be used in handheld and table-mounted routers

Item #	D Cutting Diameter	B Cutting Height	Diameter	d Overall Length
AN45475*	3/8"	1/2"	1/4"	2"
AN45487	1/2"	1/2"	1/4"	2"
AN45460	1/2"	1"	1/4"	2-1/2"
AN45461	1/2"	1-1/4"	1/4"	2-3/4"
AN45483	5/8"	3/4"	1/4"	2-1/2"
AN45464	3/4"	1"	1/4"	2-1/2"
AN45463	3/4"	1"	1/2"	3"
AN45465	3/4"	1-3/4"	1/2"	3-3/4"
AN45467	1"	1-3/4"	1/2"	3-3/4"
AN45468	1-1/8"	1-1/2"	1/2"	3-1/2"

\*Double Bearing.



A  
B  
C  
D  
E  
F  
G  
H  
I  
J  
K  
L  
M  
N  
O  
P  
Q  
R  
S  
T  
U  
V  
W  
X  
Y

## AMANA TRIM BITS



### Dado Clean-Out Carbide Tipped, 2 Flute



- Bit designed with a 1/4" cutting edge for dado clean-out
- Also used in hardwood and flooring medallions

Item #	D Cutting Dia.	B Cutting Height	d Shank Dia.	L Overall Length
AN45460-S	1/2"	1/4"	1/4"	1-5/8"



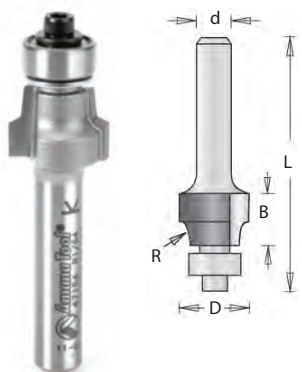
### Flush Trim Carbide Tipped with Ball Bearing Guide



- Application: For laminate work or for template and pattern work
- Two flute design provides faster cutting, three flutes yield a superior finish at slower speeds

Item #	D Cutting Diameter	B Cutting Height	d Shank Diameter	L Overall Length
<b>2 Flute</b>				
AN47090*	1/4"	1/2"	1/4"	2-1/4"
AN47092*	1/4"	1"	1/4"	2-1/2"
AN47102	3/8"	1/2"	1/4"	2-1/8"
AN47100	3/8"	1"	1/4"	2-5/8"
AN47106	1/2"	1/2"	1/4"	2-1/4"
AN47104	1/2"	1"	1/4"	2-5/8"
AN47108	1/2"	1"	1/2"	3-1/4"
AN47124	1/2"	1-1/2"	1/2"	3-7/8"
AN47126	1/2"	2"	1/2"	4-1/4"
<b>3 Flute</b>				
AN47114	1/2"	1"	1/4"	2-5/8"
AN47118	1/2"	1"	1/2"	3-1/4"

\*1/4" diameter for closer inside corner cutting only; bearings not guaranteed due to size.



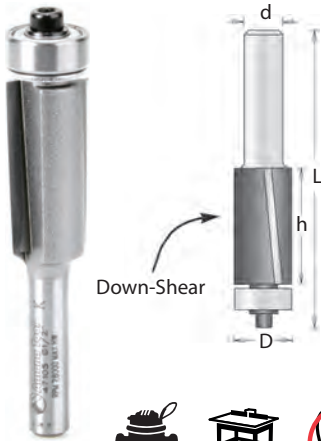
### No File™ Flush Trim, Carbide Tipped, 2 Flute with Ball Bearing Guide



- Patented No-File™ bit breaks the sharp edge as it trims the laminate flush
- Eliminate the time consuming hand-filing that normally follows each trimming cut on a laminate job

Item #	D Cutting Diameter	B Cutting Height	d Shank Diameter	L Overall Length	R Radius
AN47150	1/2"	3/8"	1/4"	1-7/8"	.059
AN47154	1/2"	3/8"	1/4"	1-7/8"	.015

## AMANA TRIM BITS



### Dynabit™ Laminate Trim, Carbide Tipped, 2 Flute with Ball Bearing Guide

- The Dynabit™ line features a modest down-shear for an excellent finish
- The helix bits have a spiral-like twist to the cutting edges, making them especially good on difficult materials such as melamine



Item #	D Cutting Diameter	B Cutting Height	d Diameter	L Overall Length
AN47105	1/2"	1"	1/4"	2-5/8"
AN47182	3/4"	5/8"	1/4"	2-1/4"



### Laminate Trimmer with Euro™ Square Bearing Carbide Tipped, 2 Flute

- Bits feature a slight taper allowing for adjustment up/down on the edge to finish off the edge with a smooth, burr free cut
- The square bearing is manufactured with a non-stick Teflon® which won't mark your edge so it can be wiped clean easily
- Will not scratch high matte or gloss laminates



Item #	D Cutting Diameter	B Cutting Height	d Shank Size	L Overall Length
AN47147	1/2"	19/64"	1/4"	1-3/4"
AN47148	3/4"	5/8"	1/4"	2-3/8"
AN47149	3/4"	5/8"	1/2"	2-5/8"



### "Overhang" Trim Carbide Tipped, 2 Flute with Ball Bearing Guide

- Stage flush trimming cuts, whether in laminate work or template work, with this bit
- Trimming the material in two passes reduces chipping in laminates and tearout in solid wood
- A preliminary cut with the overhang bit leaves a small overhang in laminate or template work, leaves an edge slightly protruding the template
- Complete the operation with a final pass using a standard trim bit



Item #	D Cutting Diameter	B Cutting Height	A Overhang	d Dia.	L Overall Length	Replace Bearing
AN47190	3/8"	1/2"	1/8"	1/4"	2"	AN47718

A  
B  
C  
D  
E  
F  
G  
H  
I  
J  
K  
L  
M  
N  
O  
P  
Q  
R  
S  
T  
U  
V  
W  
X  
Y

**A AMANA TRIM BITS**

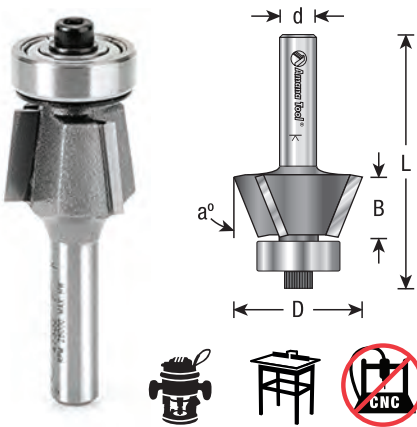


**Bevel Trim Carbide Tipped, 2 Flute with Ball Bearing Guide**



- Steel-bodied, carbide tip bit for bevel trimming laminate with a standard hand held router
- The solid construction reduces vibration for the smoothest cut possible with a two-flute bit

Item #	D Cutting Diameter	B Cutting Height	d Shank Diameter	L Overall Length	α° Angle
AN47200	5/8"	1/4"	1/4"	2-3/32"	15°
AN47202	3/4"	1/4"	1/4"	2-3/32"	25°



**Bevel Trim Carbide Tipped, 3 Flute with Ball Bearing Guide**



- The solid construction of this carbide-tipped bit reduces vibration
- The three-flute configuration produces a very smooth cut

Item #	D Cutting Diameter	α°	B Cutting Height	d Diameter	L Overall Length
AN47302	3/4"	7°	7/16"	1/4"	2"



**Special Bevel Trim, Carbide Tipped, 2 Flute with Ball Bearing Guide**

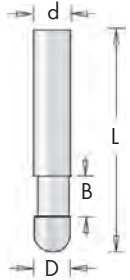


- A very shallow bevel angle and the gap between the cutting edges and the ball-bearing pilot are the key features of this carbide-tipped bit
- The gap collects adhesive residue that usually fouls the pilot and thus degrades the cut

Item #	D Cutting Diameter	α°	B Cutting Height	d Diameter	L Overall Length
AN47210	5/8"	8°	15/32"	1/4"	2-1/4"



**AMANA TRIM BITS**

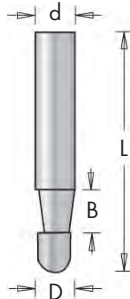


**Flush Trim Panel Pilot Solid Carbide, Single Flute**



- Laminate trimming router bit for high volume production
- Solid carbide and integral pilot (no bearing to maintain) extend life of router bit, slim configuration reduces vibration

Item #	D Cutting Diameter	B Cutting Height	d Shank Size	L Overall Length
AN51200	1/4"	1/4"	1/4"	1-1/2"



**Bevel Trim Panel Pilot, Solid Carbide Single Flute**



- Laminate trimming router bit for high volume production
- Solid carbide and integral pilot (no bearing to maintain) extend life of router bit, slim configuration reduces vibration

Item #	D Cutting Diameter	B Cutting Height	d Shank Size	L Overall Length	Type of Cut
AN51202	1/4"	1/4"	1/4"	1-1/2"	7° Bevel

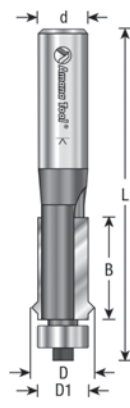


**Combination Flush and 7° Bevel Trimmer Solid Carbide, Single Flute**



- Designed specifically for use in a laminate trimmer - will both flush and bevel trim
- A change in cut depth is all it takes to switch from one to the other
- Must be used with a separate ball-bearing or edge guide

Item #	D Cutting Diameter	α°	B Cutting Height	d Diameter	L Overall Length
AN51706	1/4"	7°	3/8"	1/4"	1-1/2"



**Carbide Tipped Flush Trim V-Groove**



- Trim the edges of face frames flush with cabinet sides with this bit
- At the same time, cut a decorative V-groove to conceal the seam between the frame and the case

Item #	D Cutting Dia.	D1	B Cutting Height	d Shank	(L) Overall Length
AN47160	5/8"	1/2"	1"	1/4"	2-5/8"
AN47162	5/8"	1/2"	1"	1/2"	3-1/4"

A  
B  
C  
D  
E  
F  
G  
H  
I  
J  
K  
L  
M  
N  
O  
P  
Q  
R  
S  
T  
U  
V  
W  
X  
Y

A  
B  
C  
D  
E  
F  
G  
H  
I  
J  
K  
L  
M  
N  
O  
P  
Q  
R  
S  
T  
U  
V  
W  
X  
Y

## AMANA SOLID SURFACE BITS



### Carbide Tipped Dovetail 14 Degree, 2 Flute



- The 14° dovetail bit is used with common half-blind dovetail jigs, as well as with Omniijig®, Incra® and Leigh® jigs

Item #	D Cutting Dia.	a° Angle	B Cutting Height	d Shank	(L) Overall Length
AN45804	1/2"	14°	1/2"	1/4"	1-3/4"



### Carbide Tipped 2-Piece Architectural Stile and Rail Set



- Carbide Tipped
- 2 Flute with Ball Bearing

Item #	D Cutting Dia.	R Radius	B Cutting Height	d Shank	(L) Overall Length	B1	T	R1	L1	C
AN55428	1-15/32"	1/4"	1"	1/2"	2-13/16"	55/64"	7/32"	5/64"	2-15/16"	1/2"



### Undermount Bowl, Carbide Tipped, 2 Flute with Ultra Glide™ Ball Bearing Guide

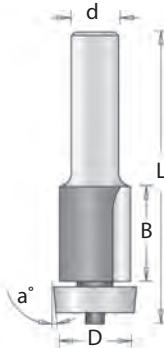


- These bits prepare and/or finish countertop edges in conjunction with undermount bowl installations
- The Roundover trims and profiles the countertop edges after the bowl is mounted
- The bevel bit trims the sink cut-out flush with an installed undermount bowl; it can also be used with template to prepare a sink cut-out for a bevel mount bowl
- Note: Both of these tools can be used for undermount applications of Corian® sink and bowl #'s 802S, 804S, 805S, 8029S, and 871S.
- The bevel tool can be used in bevel mount applications of Corian® sink and bowl #'s 804A, 805A, 830A, 825LA, 825RA, and 854RA
- Carbide Tipped
- 2 Flute with Ball Bearing



Item #	Material Thickness	D Cutting Diameter	B Cutting Height	a° Angle	R Radius	B1	d Shank Dia.	L Overall Length	Application
AN57122	1/2" & 3/4"	1-1/4"	15/16"	11.5°	-	-	1/2"	3"	Bevel
AN57128	1/2"	2-1/8"	1"	18°	1/2"	3/4"	1/2"	3"	Roundover

**AMANA SOLID SURFACE & SINK BITS**



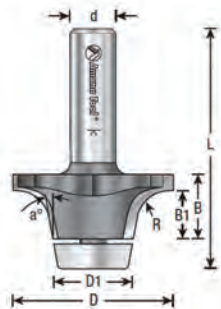
**Bowl & Sink Trim Carbide Tipped, 2 Flute with Ultra Glide™ Ball Bearing Guide**



- Trim a sink cut-out flush with the bowl in stages using these “over-hang” and flush trim bits in tandem
- The overhang bits are equipped with non-marring Ultra-Glide™ bearings that are tapered to match the slope of the bowl’s side
- A first pass with the appropriate overhang bit cleans the cut-out edge, leaving a very slight overhang at the underside of the counter
- A pass with the flush-trim bit completes the operation



Item #	D Cutting Diameter	B Cutting Height	a°	d Shank Dia.	L Overall Length	Description
AN57153	3/4"	1"	10°	1/2"	3-1/4"	1/16" Overhang
AN57155	49/64"	1-1/2"	5°	1/2"	3-1/2"	1/8" Overhang
AN57154	3/4"	1"	0°	1/2"	3-1/2"	Flush Trim



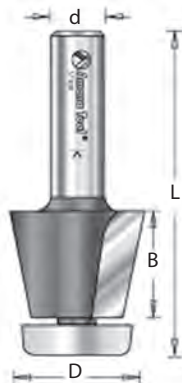
**Undermount Bowl, Carbide Tipped, 2 Flute with Ultra Glide™ Ball Bearing Guide**



- Trim and profile the counter-top edges after the bowl is mounted
- Bit has a cutting draft with a bearing that matches, enabling the cutter to do more work so you have to do less
- Use with Wilsonart® Vanity #'s BV1514, BV1812, BV1313, BV1711; Wilsonart® Kitchen Sink #'s BK2015, BK1515, BD1630, BD3016, BK2716US; Formica Vanity #L080; Formica Kitchen Sink #'s K080A, K250A and more



Item #	D	D1	a°	R	B	B1	d	L
AN57267	2-9/64"	13/16"	10°	33/64"	63/64"	25/32"	1/2"	2-25/32"



**Karran® Stainless Steel Sink Edge, Carbide Tipped, 2 Flute with Ultra Glide™ Ball Bearing Guide**



- Designed specifically for use with Lanser™ stainless steel Edge Sinks™
- For laminate and 1/2" solid surface materials
- Use to trim the counter-top edge after the bowl is mounted



Item #	D Cutting Diameter	Angle	B Cutting Height	d Shank Diameter	L Overall Length
AN57169	1-3/16"	11.5°	1"	1/2"	3-1/8"
AN49409	7/8"	15°	7/8"	1/4"	2-1/4"

A  
B  
C  
D  
E  
F  
G  
H  
I  
J  
K  
L  
M  
N  
O  
P  
Q  
R  
S  
T  
U  
V  
W  
X  
Y

**A ROUTER BIT REPLACEMENT PARTS**

**B**  
**C**  
**D**  
**E**  
**F**  
**G**  
**H**  
**I**  
**J**  
**K**  
**L**  
**M**  
**N**  
**O**  
**P**  
**Q**  
**R**  
**S**  
**T**  
**U**  
**V**  
**W**  
**X**  
**Y**



**Steel Ball Bearing Guides**



- Repairing and altering the profile of router bits
- Stocked in Amana but will fit most brands

Item #	Width	Inside Diameter	Outside Diameter
AN47723	7/64"	1/8"	1/4"
AN47704	5/32"	1/8"	3/8"
AN47702	1/8"	3/16"	3/8"
AN47706	3/16"	3/16"	1/2"
AN47718	3/16"	3/16"	5/8"
AN47701	3/16"	1/4"	1/2"
AN47712	3/16"	1/4"	5/8"
AN47714	9/32"	1/4"	3/4"
AN47708	9/32"	5/16"	7/8"
AN47721	5/32"	1/2"	3/4"
AN47738	5/16"	1/2"	1-1/8"



**Ultra-Glide™ Ball Bearing, Replacement Glides Hi-Performance**



- Ultra-Glide™ bearings feature satin-smooth Delrin® sleeves
- Delrin® is an industrial synthetic plastic material similar to nylon, and will leave no marks on the material being cut
- Applications include solid surface materials, clear acrylics, and plastic laminates
- Not recommended for regular wood applications due to a higher wear factor

\*NOTE: Amana 57156-57168 Bowl Bits Only.  
†Includes Teflon® dust shield.

Item #	Inside Diameter	Outside Diameter	Angle
AN47707	3/16"	1/2"	-
AN47709†	1/4"	3/4"	-
AN47727	5/16"	1-3/8"	-
AN47731*†	1/4"	7/8"	10



**Euro™ Square Bearing**



- Will not scratch or mark laminates with matt or high gloss finish
- Can be mounted to any 1/2" diameter Amana Tool® flush trimmer
- Manufactured with non-stick Teflon

Item #	I.D. x O.D.	Bearing Thickness
ANSQB100	3/16" x 1/2"	.223
ANSQB102	3/16" x 3/4"	.273

## AMANA SLOTTING CUTTERS

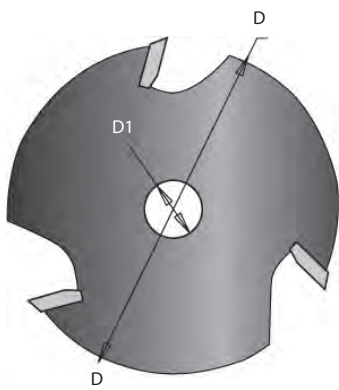


### Slotting Cutter Assemblies Carbide Tipped, 1/4" Shank



- Groove edges for T-moldings, splines or biscuits, routing tongue and groove joinery, and other purposes
- Each assembly includes a cutter, bearing for a 1/2" deep cut and 1/4" shank arbor
- Use in a handheld or table-mounted router

Item #	D	B	C	d	L
AN53400	1-7/8"	1/16"	1/2"	1/4"	2-3/8"
AN53404	1-7/8"	3/32"	1/2"	1/4"	2-3/8"
AN53406	1-7/8"	1/8"	1/2"	1/4"	2-3/8"
AN53410	1-7/8"	1/4"	1/2"	1/4"	2-3/8"



### Slotting Cutters, 3 Wing Carbide Tipped



- Cutter only, Arbor sold separately
- AN53207 also used for "biscuit-joint" cutting

Item #	D	B	d
AN53200	1-7/8"	1/16"	5/16"
AN53202	1-7/8"	5/64"	5/16"
AN53204	1-7/8"	3/32"	5/16"
AN53206	1-7/8"	1/8"	5/16"
AN53207	1-7/8"	5/32"	5/16"
AN53210	1-7/8"	1/4"	5/16"



### Slotting Cutter Arbors

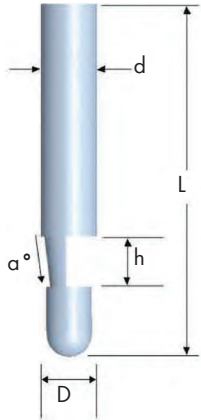


- Arbors for use with 2-wing and 3-wing slotting cutters
- All include hex nuts and washers necessary for securing cutters

NOTE: These are arbors only, cutters sold separately.

Item #	Use With	Shank Diameter	Overall Length
AN47600	2 & 3-Wing Cutters	1/4"	2-3/8"

**A BOSCH TRIM / CUTOUT BITS**

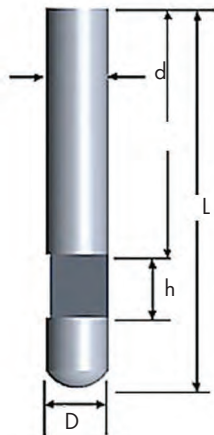


**Bevel Trim,  
Solid Carbide, Single Flute**



- Provides 7-1/2deg bevel on the edge of laminate surface when trimming
- Solid pilot wipes clean - no ball bearing seizure from adhesives
- Classic design for high production countertop and fixture production
- Solid carbide for long life in production applications

Item #	D Cutting Diameter	h Cutting Height	d Shank Diameter	L Overall Length	α° Angle
BO85286	1/4"	1/4"	1/4"	1-1/2"	7-1/2°



**Flush Trim,  
Solid Carbide, Single Flute**



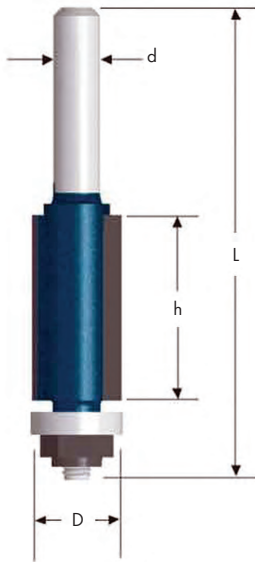
- For trimming high-pressure laminates flush to a substrate
- Solid pilot wipes clean - no ball bearing seizure from adhesives
- Classic design for high production countertop and fixture production
- Solid carbide for long life in production applications

Item #	D Cutting Diameter	h Cutting Height	d Shank Diameter	L Overall Length
BO85285	1/4"	1/4"	1/4"	1-1/2"

**FOR  
ROUTERS,**  
See Section V



**BOSCH TRIM AND PLUNGE BITS**

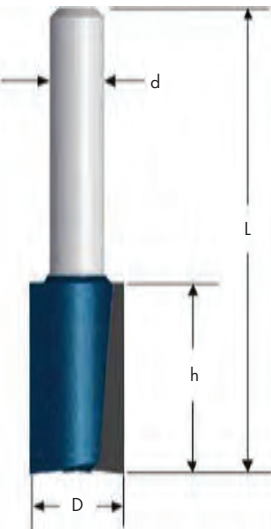


**Flush Trim, Carbide Tipped, 2 and 3 Flute, With Ball Bearing Guide**



- Ideal for fast, smooth, flush trim cuts
- Control cut design helps minimize kickback
- For trimming laminates, veneers, and similar materials
- Micrograin carbide tips provide superior wear resistance and long life
- Shielded, compact ball-bearing pilot guides bit along edge of material

Item #	D Cutting Dia.	h Cutting Height	d Shank Dia.	L Overall Length
<b>2 Flute</b>				
BO84501M	1/4"	1"	1/4"	2-9/16"
BO85269M	3/8"	1/2"	1/4"	2-1/8"
BO85268M	3/8"	1"	1/4"	2-5/8"
BO85267M	1/2"	5/8"	1/4"	2-1/4"
BO85266M	1/2"	1"	1/4"	2-1/2"
<b>3 Flute</b>				
BO85216M	1/2"	1"	1/4"	2-1/2"



**Straight Plunge Carbide Tipped or Solid Carbide, 2 Flute**



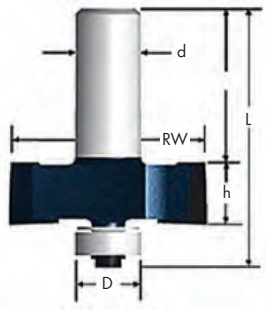
- 2 flute design provides a smooth finish and good feed rates
- Micrograin carbide tips give excellent smoothness of cut and long life
- Balanced cutting with minimal vibration
- Specially designed tips provide fast plunge cutting
- Strong webbing and heavy cutter backing extend bit life

Item #	D Cutting Diameter	h Cutting Height	d Shank Diameter	L Overall Length
<b>Carbide Tipped</b>				
BO85221M	1/4"	5/8"	1/4"	2"
BO85250M	1/4"	7/8"	1/4"	2-1/8"
BO85427M	1/2"	1"	1/2"	2-5/8"
BO85242M	1/2"	1-1/2"	1/2"	3-1/8"
<b>Solid Carbide</b>				
BO85213M	1/8"	1/2"	1/4"	2"

A  
B  
C  
D  
E  
F  
G  
H  
I  
J  
K  
L  
M  
N  
O  
P  
Q  
R  
S  
T  
U  
V  
W  
X  
Y

**A BOSCH JOINTMAKING / EDGE FORMING BITS AND COUNTERSINKS**

B  
C  
D  
E  
F  
G  
H  
I  
J  
K  
L  
M  
N  
O  
P  
Q  
R  
S  
T  
U  
V  
W  
X  
Y

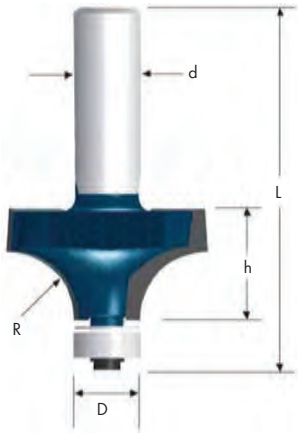


**Rabbeting, Carbide Tipped, Single Flute with Ball Bearing Guide**



- Cuts rabbeted edges for joints, drawer fronts, and other applications
- Control cut design helps minimize kickback
- For making rabbeting cuts without the use of a router guide
- Micrograin carbide tips provide superior wear resistance and long life
- Compact ball-bearing pilot guides bit along edge of material

Item #	RW Rabbet Width	D Cutting Diameter	h Cutting Height	d Shank Diameter	L Overall Length
BO85615M	1/2"	1-3/8"	1/2"	1/2"	2-3/8"

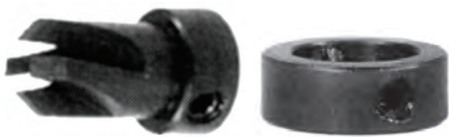


**Roundover, Carbide Tipped, 2 Flute with Ball Bearing Guide**



- Creates smoothly radiused edges on boards and panels
- Smoothly radiused edge requires little or no sanding before applying finish
- Micrograin carbide tips provide superior wear resistance and long life
- Control cut design helps minimize kickback
- Compact ball-bearing pilot guides bit along edge of material

Item #	D Cutting Diameter	h Cutting Height	R Radius	d Shank Diameter	L Overall Length
BO85290M	3/4"	3/8"	1/8"	1/4"	2"
BO85294M	1"	1/2"	1/4"	1/4"	2"
BO85296M	1-1/4"	5/8"	3/8"	1/4"	2-3/16"



Countersinks

Stop Collars

**Countersinks/Stop Collars**



- Countersinks and counterbores flat head screw heads in woods, plastics and non-ferrous materials
- Stop collars are used to control depth of countersink

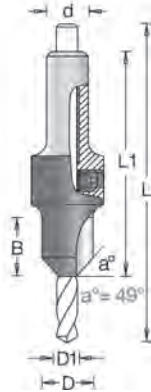
Countersinks			
Item #	Drill Dia.	Screw Size	Counter Bore Hole Size
FIC5	1/8"	#5	3/8"
FIC6	9/64"	#6	3/8"
FIC7	5/32"	#7	3/8"
FIC8	11/64"	#8	3/8"
FIC9	3/16"	#9	3/8"
FIC10	13/64"	#10	7/16"
FIC913	13/64"	#10	3/8"

Stop Collars		
Item #	Inside Diameter	Width
FISC1/4	1/4"	1/4"
FISC3/8	3/8"	1/4"
FISC1/2	1/2"	1/4"

Sets	
Item #	Description
FIC	Set of 7 Countersinks includes: C5 - C10, C12 Plus 3/32" Key
FISC	Set of 7 Stop Collars includes: (5) 3/8" I.D.; (1) 7/16" I.D.; (1) 1/2" I.D.



**COUNTERSINKS**



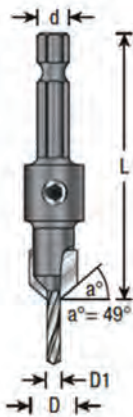
**82° Countersinks Carbide Tipped,  
For Wood Screws**



- 2-Wing with slow spiral, HSS M2 DIN 338 fully ground drill
- Used to countersink holes for the heads of screws
- The 2-flute integral design ensures uniform and concentric results each and every time
- Carbide tips provide chip-free hole edges and lasts much longer than steel countersinks
- 49° Angle

Item #	Screw Size	D	D1	B	d	L1	L
AN55202	#6	3/8"	1/8"	1/2"	5/16"	1-5/8"	2-9/16"
AN55204	#6	25/64"	9/64"	1/2"	5/16"	1-5/8"	2-3/4"
AN55206	#8	25/64"	5/32"	1/2"	5/16"	1-5/8"	2-7/8"
AN55208	#8	7/16"	11/64"	1/2"	5/16"	1-5/8"	3"
AN55210	#10	7/16"	3/16"	1/2"	3/8"	1-3/4"	3"

Replacement Bits			
Item #	Use With	Item #	Use With
AN630102	AN55202	AN630302	AN55206, AN55208
AN630802	AN55204	AN630402	AN55210

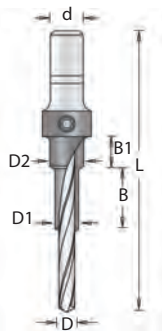


**82° Countersinks, Quick Release  
Carbide Tipped, For Wood Screws**



- 2-Wing with slow spiral, HSS M2 DIN 338 fully ground drill
- Used to countersink holes for the heads of screws
- The 2-flute integral design ensures uniform and concentric results each and every time
- Carbide tips provide chip-free hole edges and lasts much longer than steel countersinks

Item #	Wood Screw Size	D	D1	a°	d	L1
AN55260	#4	3/8"	5/64"	49°	1/4"	2-1/8"
AN55262	#6	3/8"	3/32"	49°	1/4"	2-1/8"
AN55264	#8	3/8"	7/64"	49°	1/4"	2-1/8"
AN55266	#10	3/8"	1/8"	49°	1/4"	2-1/8"



**3-Step RTA Furniture Drill/ Countersink  
With HSS Slow Spiral Drill**



- Commonly used for RTA (ready-to-assemble) furniture fittings
- High speed steel countersink with polished slow spiral drill bit
- Will perform 3 tasks in one: pilot hole, clearance hole and countersink

Item #	D	D1	D2	B	B1	d	L
AN55102	3.5mm	5.0mm	7.0mm	15.0mm	5.0mm	10mm	52mm

A  
B  
C  
D  
E  
F  
G  
H  
I  
J  
K  
L  
M  
N  
O  
P  
Q  
R  
S  
T  
U  
V  
W  
X  
Y

**A DRILL BITS**

B  
C  
D  
E  
F  
G  
H  
I  
J  
K  
L  
M  
N  
O  
P  
Q  
R  
S  
T  
U  
V  
W  
X  
Y



29 Piece Drill Bit Set

**High Speed Steel Drill Bits - Jobber Length  
High Performance - 3 Sided Flat Shank,  
Fractional Sizes**



- Wider web than standard bits allows excellent heat dissipation and less bit breakage
  - Constructed of M-7 Industrial speed steel withstands high temperatures, maintains sharpness
  - Can be used with either wood or steel
  - 135° split point for fast penetration and accurate starting without center punch
  - 3-flat shank design (on 3/16" and larger bits) eliminates slippage and provides a positive grip
  - WR1627013 includes common sizes from 1/16" through 1/4"
  - WR16271100 includes sizes from 1/16" through 3/8", in 1/64" increments
  - WR1627029 includes common sizes from 1/16" through 1/2"
- Packing: 1/16" - 9/32" are 12 per box; 19/64" and up are 6 per box.  
All sold by the each.

Item #	Size	Flute Length	Overall Length	Item#	Size	Flute Length	Overall Length
WR16270116	1/16"	7/8"	1-7/8"	WR162701964	19/64"	2-3/8"	3-7/8"
WR16270564	5/64"	1"	2"	WR16270516	5/16"	2-1/2"	4"
WR16270332	3/32"	1-1/4"	2-1/4"	WR162702164	21/64"	2-9/16"	4-1/16"
WR16270764	7/64"	1-5/16"	2-3/8"	WR162701132	11/32"	2-5/8"	4-1/8"
WR1627018	1/8"	1-7/16"	2-1/2"	WR162702364	23/64"	2-11/16"	4-3/16"
WR16270964	9/64"	1-9/16"	2-5/8"	WR1627038	3/8"	2-11/16"	4-1/4"
WR16270532	5/32"	1-11/16"	2-3/4"	WR162702564	25/64"	2-3/4"	4-5/16"
WR162701164	11/64"	1-13/16"	2-7/8"	WR162701332	13/32"	2-13/16"	4-3/8"
WR16270316	3/16"	1-1/2"	3"	WR162702764*	27/64"	2-7/8"	4-7/16"
WR162701364	13/64"	1-5/8"	3-1/8"	WR16270716*	7/16"	2-15/16"	4-1/2"
WR16270732	7/32"	1-3/4"	3-1/4"	WR162701532*	15/32"	3-1/8"	4-3/4"
WR162701564	15/64"	1-7/8"	3-3/8"	WR162703164*	31/64"	3-1/4"	4-7/8"
WR1627014	1/4"	2"	3-1/2"	WR1627012*	1/2"	3-3/8"	5"
WR162701764	17/64"	2-1/8"	3-5/8"	WR1627013	13 Piece Drill Bit Set		
WR16270932	9/32"	2-1/4"	3-3/4"	WR16271100	21 Piece Drill Bit Set		
				WR1627029	29 Piece Drill Bit Set		

\*3-Flat Shank

**DRILL BITS**



- High speed steel
- Cylindrical shank, right hand cut
- For use in CNC machines, upright drills and battery operated drills

Packing: As shown on right.

All sold by the each.

**Metric Drill Bits, Straight Shank, RH Cut**



Item #	Size	Flute Length	Overall Length	Box Qty
WR062550	5mm	52mm	86mm	10
WR062570	7mm	75mm	109mm	10
WR062580	8mm	75mm	117mm	10
WR0625100	10mm	87mm	133mm	5



- Made from high speed regular cut steel
- Cuts wood, plastics and metals

**Metric Drill Bits, Straight Shank, RH Cut**



Size	Flute Length	Overall Length	118° Point Item #	Brad Point Item #
2.5mm	1-3/16"	2-1/4"	-	FI2.5MMBP
5mm	2-1/16"	3-3/8"	FIDB5MM	FI5MMBP
6mm	2-1/16"	3-3/8"	FIDB6MM	FI6MMBP
8mm	2-15/16"	4-19/32"	FIDB8MM	FI8MMBP
10mm	3-7/16"	5-1/4"	FIDB10MM	-



Straight Shank



Hex Shank

- Made from high speed steel
- Maximum RPM: 2500

**Taper Point Drill Bits, Straight & Hex Shank**



Drill Size	Straight Shank		Hex Shank	
	Item #	OA Length	Item #	OA Length
1/8"	FIDB1/8	2-3/4"	FIDBH1/8	3-1/2"
9/64"	FIDB9/64	2-7/8"	FIDBH9/64	3-5/8"
5/32"	FIDB5/32	3-1/8"	FIDBH5/32	3-7/8"
11/64"	FIDB11/64	3-1/4"	FIDBH11/64	4"
3/16"	FIDB3/16	3-1/2"	FIDBH3/16	4-1/4"
13/64"	FIDB13/64	3-5/8"	FIDBH13/64	4-3/8"



- High speed steel drill bits with 1/4" hex shank drill adapter
- For use with any quick-change chuck, cordless and standard drills and screw guns

**Drill Adapters With Taper Point Drills  
1/4" Hex Shank, Quick Change Adapter**



Item #	Drill Bit Size	Diameter	Overall Length
<b>Drill Adapters With Taper Point Drill Bits</b>			
AN608266	3.2mm	1/8"	3-3/8"
AN608268	3.6mm	9/64"	3-7/16"
<b>Replacement Drill Bits</b>			
AN630266	3.2mm	1/8"	3-3/8"
AN630268	3.6mm	9/64"	3-7/16"



- Designed to drill smooth, clean cuts in wood
- Tip that provides easy positioning and accurate starts
- Extra-wide flutes yield fast chip removal
- Designed for both portable drills and drill presses

**Brad Point Drill Bit, RH Cut**



Item #	Size	Flute Length	Overall Length
BOB14602	3/16"	2-5/16"	3-1/2"
BOB14603	1/4"	2-1/4"	3-5/16"
BOB14605	3/8"	3-1/4"	5-3/16"

A  
B  
C  
D  
E  
F  
G  
H  
I  
J  
K  
L  
M  
N  
O  
P  
Q  
R  
S  
T  
U  
V  
W  
X  
Y

**A VIX BITS/DRILL STOPS AND BORING BITS**

B  
C  
D  
E  
F  
G  
H  
I  
J  
K  
L  
M  
N  
O  
P  
Q  
R  
S  
T  
U  
V  
W  
X  
Y



**Self-Centering Drill Bit Guides  
1/4" Hex Shank**



- Create accurate screw holes when installing new hinges to a door
- Spring-loaded end for locating hinge screw holes, includes HSS twist drill bit
- Bright plated finish

Item #	Screw #	Drill Size	Replacement Bit
AN608520	6	5/64"	AN630520
AN608522	8	7/64"	AN630522
AN608524	10	9/64"	AN630524



**Self-Centering Vix Bits High Speed Steel Drill Bit**

- Self centering design ensures the hole will be drilled absolutely in the center
- Hex shank bit is spring loaded with a retracting conical shaped guide
- Adjustable drill depth
- Guide body is made of nickel plated steel
- Drill bit is made of high speed steel that will stay sharper ten times longer than high carbon steel bits

Item #	Bit Size	Fits Screw Sizes
<b>Self-Centering Vix Bits, 1/4" Round Shank</b>		
SVB3	5/64"	#2 & #3
SVB5	7/64"	#5 & #6
SVB9	9/64"	#8, #9 & #10
SVB12	11/64"	#12
SVB13	5mm	-
<b>Self-Centering Vix Bits, 1/4" Hex Shank</b>		
SVB3HEX	5/64"	#2 & #3
SVB7/64	7/64"	#5 & #6
SVB9H	9/64"	#8, #9 & #10

Item #	Replacement For
<b>Replacement Bits</b>	
SVRB3	For VB3 - 5/64"
SVRB5	For VB5, 5H - 7/64"
SVRB9	For VB9, 9H - 9/64"
SVRB12	For VB12 - 11/64"
SVRB13	For VB13



**Counterbores, Carbide Tipped**



- Features include precision ground carbide-tipped counterbore for splinter-free cutting, non-slip surface treatment for positive clamping, wide web design
- Fits Evans, Ritter, Unique, Marcon, Norfield® and Castle® Face Frame Machines



Item #	Type	Description	D	D1	d	L
AN424000	1	Counterbore/drill for face frame machines	3/8"	.136	3/8"	4"
AN424004	-	#29 replacement HSS fish tail drill	-	.136	-	2-7/8"



CTB00438

**Pocket Hole Machinery Bits**



Item #	Description	Materials
CTB00964	9/64" Drill Bit Brad And Spur Point, 1/4" Shank	Ideal for hard woods including the more dense species
CTB00316	3/16" Drill Bit Split Point, 1/4" Shank	Best for soft woods or materials such as melamine
CTB00764	7/64" Drill Bit Split Point, 1/4" Shank	Works on all types of materials
CTB00338	3/8" Solid Carbide 3-Flute Router Bit	Exceptional in routing all materials
CTB00438	3/8" Cobalt Steel 4-Flute Roughing Router Bit	Works well routing most solid woods. For dense hardwoods such as hickory, use Solid Carbide CTB00338

**BORING BITS**

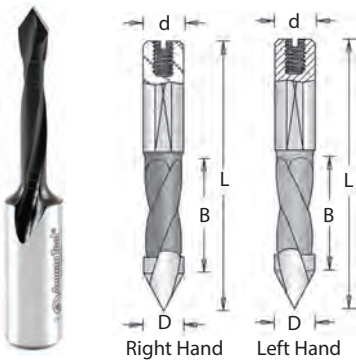


**Brad Point Boring, Carbide Tipped**



- Do not use with portable drills or routers
- Coated with non-stick coating for longer tool life

Right Rotation Item #	Left Rotation Item #	D	B	d	L
<b>57mm Long, 10mm x 27mm Shank</b>					
AN201005	AN301005	5mm	27mm	10mm	57mm
AN201008	AN301008	8mm	27mm	10mm	57mm
AN201010	AN301010	10mm	27mm	10mm	57mm
AN201015	AN301015	15mm	27mm	10mm	57mm
AN201007	AN301007	1/4"	27mm	10mm	57mm
<b>70mm Long, 10mm x 35mm Shank</b>					
AN204005	AN304005	5mm	40mm	10mm	70mm
AN204008	AN304008	8mm	40mm	10mm	70mm



**Through-Hole "V" Point Boring**



- Do not use in portable drills or routers

Right Rotation Item #	Left Rotation Item #	D	B	d	L
<b>57mm long, 10mm x 27mm Shank</b>					
AN313005	AN413005	5mm	35mm	10mm	57mm
AN313008	AN413008	8mm	35mm	10mm	70mm
<b>70mm long, 10mm x 35mm Shank</b>					
AN314005	AN414005	5mm	47mm	10mm	70mm



**Hinge Boring**



- For use with boring machines and drill presses only
  - 2 wings with spur
- NOTE: AN203431 designed for high RPM (23,000) on plunge routers, CNC routers, machining centers and point-to-point machines.

Item #	Rotation	D	d	L
AN203201	Right	20mm	10mm	57mm
AN203261	Right	26mm	10mm	57mm
AN203351	Right	35mm	10mm	57mm
AN203401	Right	40mm	10mm	57mm
AN203431	Right	35mm	1/2"	60mm



**3 Piece Brad Point and Hinge Boring Bit Set  
Carbide Tipped, 57mm Long x 10mm Shank**

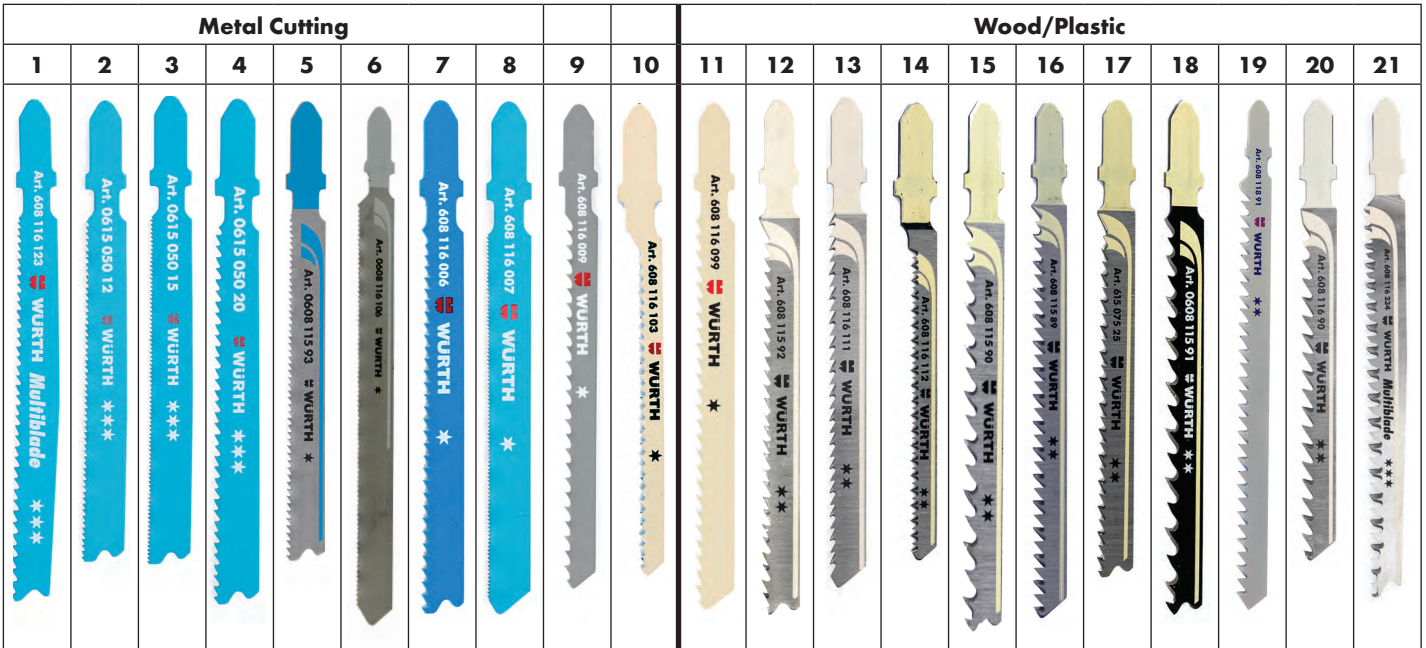


- Complete hinge installation set for boring machines.
- Contains (2) AN301008 Brad Point Boring Bits (8mm LH) and (1) AN203351 Hinge Boring Bit (35mm RH)
- Not to be used in portable drills or handheld routers

Item #
ANHBM102

**A JIG SAW BLADES**

**B Würth Jig Saw Blades**



Item #	Pk. Qty.	Overall Length	Teeth per In.	Type of Blade	Material Thickness	
<b>High Speed Steel (HSS) Metal Cutting Blades</b>						
1	WR0608116123	5	4"	20	High Performance - Cuts Sheet Metal, Stainless Steel, Nonferrous Metal, Plastics, And Fiberglass - For Fast Cuts And Long Life In Thick/Thin Metal Pipes & Metal Profiles - T-Shank	Sheet Metal 5/64"-3/8", Stainless Steel 1/16" - 1/8", Nonferrous Metal 5/64" -3/4", Plastics 1/16" - 1-1/4", Fiberglass 3/64" - 3/4"
2	WR061505012	5	3"	24	Bi-Metal, Break Resistant And Durable - Cuts Thin Metals (Ferrous & Non-ferrous) - For Straight Cuts, Long Life - T-Shank	1/16" - 1/8"
3	WR061505015	5	3"	18	Bi-Metal, Break Resistant And Durable - Cuts Med.-Thin Metals (Ferrous & Non-Ferrous) - For Straight Cuts, Long Life - T-Shank	5/64" - 7/32"
4	WR061505020	5	3-5/8"	14	Bi-Metal, Break Resistant And Durable - Longer Blade For Cutting Medium-Thin Metals (Ferrous & Non-ferrous) - For Straight Cuts, Long Life - T-Shank	1/8" - 1/4"
5	WR060811593	5	3-5/8"	17-24	Economical - Cuts thin metals (Ferrous & Non-Ferrous) - For straight cuts - T-Shank	1/16" - 1/8"
6	WR0608116106	5	5-1/4"	24	Economical - Longer blade for cutting thin metals (Ferrous & Non-Ferrous) - For straight cuts - T-Shank	1/16" - 1/8"
7	WR0608116006	5	3"	11-24	Economical - Cuts medium-thin metals (Ferrous & Non-Ferrous) - For straight cuts - T-Shank	1/8" - 1/4"
8	WR0608116007	5	3-5/8"	36	Economical - Cuts sheet and thin metals (Ferrous and Non-ferrous) - For straight-line and fast cuts - T-Shank	Sheet metal 17-26 gauge; very thin metals 1/64"-3/64"
9	WR0608116009	5	4"	8	Offers clean, fast cuts in aluminum, plastics, and fiberglass. Extra-hard HSS teeth and body for straight cuts and long life - T-Shank	Aluminum 3/16" - 5/8", fiberglass 3/16" - 3/4", plastic 3/16" - 1-1/4"

**JIG SAW BLADES**

**Würth Jig Saw Blades**



Item #	Pk. Qty.	Overall Length	Teeth per In.	Type of Blade	Material Thickness
<b>High Carbon Steel (HCS) Wood/Plastics Cutting Blades</b>					
10	5	3"	12	Economical - Cuts soft wood, chipboard, particleboard, plywood, fiberboard - Designed for fast, coarse curved cuts, ideal for jig saws without orbital action - T-Shank	5/64" - 1/2"
11	5	3"	8	Economical - Cuts soft wood, chipboard, particleboard, plywood, fiberboard - Designed for fast coarse cuts, ideal for jig saws without orbital action - T-Shank	7/32" - 2-3/8"
12	5	4"	10	Fine Clean Cuts - Cuts hard/soft woods, plastics, plywood, laminated particleboard - Designed for straight fine cuts and plunge cuts - T-Shank	3/16" - 1-1/4"
	100				
13	5	4"	10	Fine Clean Cuts - Cuts hard/soft woods, plywood, laminated particleboard & plastics - Designed for straight fine, down cuts - T-Shank	3/16" - 1-1/4"
14	5	3"	20	Fine Clean Cuts - Cuts hard/soft wood, laminated particleboard, plywood, plastics - Designed for curved cutting, splinter free cuts on both sides of work piece - T-Shank	5/64" - 3/4"
15	5	4"	6	Fine Clean Cuts - Cuts hard/soft woods, plywood, laminated particleboard & plastics - Designed for straight clean cuts and plunge cuts - T-Shank	1/4" - 2-3/8"
	25				
16	5	4-5/8"	8	Fine Clean Cuts - Cuts hard/soft wood, plywood, laminated particleboard & plastics - For medium-fine cuts - T-Shank	Hard/Soft Wood, Plywood 3/16" - 1-1/4", Plastics 3/16" - 1-1/4"
17	5	4"	10	Bi-Metal, Fine Clean Cuts - Cuts hard/soft wood, plastics, plywood, laminated particleboard - Designed for straight fine cuts, long life - T-Shank	3/16"- 1-1/4"
18	5	4"	6	Fast Cuts - Cuts soft/hard wood, chipboard, particleboard, plywood, fiberboard - Designed for fast, straight, & plunge cuts - T-Shank	1/4" - 2-3/8"
	25				
19	5	6"	6	Fast Cuts - Cuts soft/hard wood, chipboard, particleboard, plywood, fiberboard - For very fast, straight cuts - T-Shank	1/4" - 4"
20	5	4"	6	Precise Cuts, Parallel Cuts - Cuts hard/soft woods, plywood, laminated particleboard & plastics - For angled cuts and parallel cuts - T-Shank	1/4" - 2-3/8"
21	5	4-1/2"	8-1/2	High Performance - Cuts hard/soft wood, particleboard & plywood - For fast, clean, splinter free cuts in thick/thin material - T-Shank	

A  
B  
C  
D  
E  
F  
G  
H  
I  
J  
K  
L  
M  
N  
O  
P  
Q  
R  
S  
T  
U  
V  
W  
X  
Y

A  
B  
C  
D  
E  
F  
G  
H  
I  
J  
K  
L  
M  
N  
O  
P  
Q  
R  
S  
T  
U  
V  
W  
X  
Y

**JIG SAW BLADES**

**Bosch Jig Saw Blades**



Metal Cutting				Wood/Plastic								Bi-Metal
1	2	3	4	5	6	7	8	9	10	11	12	13

Item #	Pack Qty	Overall Length	Teeth per In.	Type of Blade	Material Thickness
<b>High Speed Steel (HSS) Metal Cutting Blades</b>					
1	BOT118AF	5	3-5/8"	17-24	Bi-Metal, Break Resistant & Durable - Cuts thin metals (Ferrous & Non-ferrous) - For straight cuts, long life - T-Shank Up to 16 gauge Thin Metals 1/16" - 1/8"
2	BOT118A BOT118A100	5 100	3-5/8"	17-24	Economical - Cuts thin metals (Ferrous & Non-Ferrous) - For straight cuts - T-Shank Thin Metals 1/16" - 1/8"
3	BOT118B	5	3-5/8"	11-14	Economical - Cuts medium-thin metals (Ferrous & Non-Ferrous) - For straight cuts - T-Shank Medium - Thin Metals 1/8" - 1/4"
4	BOT318A	5	5-1/4"	24	Economical - Longer blade for cutting thin metals (Ferrous & Non-Ferrous) - For straight cuts - T-Shank Thin Metals 1/16" - 1/8"
<b>High Speed Steel (HCS) Wood/Plastics Cutting Blades</b>					
5	BOT119BO	5	3-1/4"	12	Economical- Cuts Soft Wood, Chipboard, Particleboard, Plywood, Fiberboard - Designed For Fast, Coarse Curved Cuts, Ideal For Jig Saws w/out Orbital Action - T-Shank Soft Wood, OSB, Plywood 5/64" - 1/4"
6	BOT101B BOT101B100	5 100	4"	10	Fine Clean Cuts - Cuts Hard/Soft Woods, Plastics, Plywood, Laminated Particleboard - For Straight Fine Cuts And Plunge Cuts - T-Shank 3/16" - 1-1/4"



**JIG SAW BLADES**

**Bosch Jig Saw Blades**



Item #	Pack Qty	Overall Length	Teeth/ In.	Type of Blade	Material Thickness	
<b>High Carbon Steel (HCS) Wood/Plastics Cutting Blades</b>						
7	BOT101BR	5	4"	10	Fine Clean Cuts - Cuts Laminated Particleboard, Chipboard, Plywood, Hard/Soft Wood & Plastics - For Straight, Fine Down Cuts, Splinter Free Cuts - T-Shank	3/16" - 1-1/4"
	BOT101BR100	100				
8	BOT101D	5	4"	5-6	Fine Clean Cuts - Cuts Hard/Soft Woods, Plywood, Laminated Particleboard & Plastics - For Straight Clean Cuts & Plunge Cuts - T-Shank	1/4" - 2-3/8"
	BOT101D100	100				
9	BOT144D-100	100	4"	5-6	Fast Cuts - Cuts Soft/Hard Wood, Chipboard, Particleboard, Plywood, Fiberboard - For Fast, Straight Cuts And Plunge Cuts - T-Shank	1/4" - 2-3/8"
10	BOT101DP	5	4"	6	Precise Cuts, Parallel Cuts - Cuts Hard/Soft Woods, Plywood, Laminated Particleboard & Plastics - For Angled Cuts And Parallel Cuts - T-Shank	1/4" - 2-3/8"
11	BOT234X	5	4-1/2"	8-12	High Performance - Cuts Hard/Soft Wood, Particleboard & Plywood - For Fast, Clean, Splinter Free Cuts In Thick Or Thin Material - T-Shank	
<b>Bi-Metal Construction Blades</b>						
12	BOT345XF	5	5-1/4"	5-10	High Performance - All purpose for fast clean cuts through wood with nails and other sandwich materials - T-Shank	Wood w/Nails, Ply 3/16" - 3-5/8" Metal 3/16" - 3/8" Nonferrous Metal, Alum. 5/64" - 1-1/4"
13	BOT101AOF	5	3-1/4"	20	Produce clean cuts in laminate flooring - T-Shank	-

A  
B  
C  
D  
E  
F  
G  
H  
I  
J  
K  
L  
M  
N  
O  
P  
Q  
R  
S  
T  
U  
V  
W  
X  
Y

**A WÜRTH HOESAWS & SAW BLADES**



**Bi-Metal Hole Saw, Premium Grade**



- Bi-metal construction allows a fast and clean cut
- Suitable for materials including: wood, steel, plastic, aluminum, copper, and bronze
- Depth of Cut: 1-1/4" (32mm)

Note: Mandrel, ejector spring, and extension are sold separately.

Individual Hole Saws					
Item #	Cutting Dia.	Item #	Cutting Dia.	Item #	Cutting Dia.
WR63214	14mm (9/16")	WR63244	44mm (1-3/4")	WR63279	79mm (3-1/8")
WR63216	16mm (5/8")	WR63248	48mm (1-7/8")	WR63283	83mm (3-1/4")
WR63219	19mm (3/4")	WR63251	51mm (2")	WR63286	86mm (3-3/8")
WR63221	21mm (13/16")	WR63252	52mm (2-1/16")	WR63289	89mm (3-1/2")
WR63222	22mm (7/8")	WR63254	54mm (2-1/8")	WR63295	95mm (3-3/4")
WR63224	24mm (15/16")	WR63257	57mm (2-1/4")	WR632108	108mm (4-1/4")
WR63225	25mm (1")	WR63260	60mm (2-3/8")	WR632114	114mm (4-1/2")
WR63229	29mm (1-1/8")	WR63264	64mm (2-1/2")	WR632121	121mm (4-3/4")
WR63232	32mm (1-1/4")	WR63267	67mm (2-5/8")	WR632140	140mm (5-1/2")
WR63235	35mm (1-3/8")	WR63270	70mm (2-3/4")		
WR63238	38mm (1-1/2")	WR63273	73mm (2-7/8")		
WR63241	41mm (1-5/8")	WR63276	76mm (3")		

**Replacement Bits**

WR632014	Repl. Bit for WR63202 Mandrel
WR6320141	Repl. Bit for WR63204 Mandrel

**Accessories**

WR63207	Ejector spring for holesaws
WR63202	Mandrel: Built-in locking mechanism for extra torque strength
WR63204	Mandrel: Screw in arbor

**Hole Saw Kit**

WR5964063291	Kit includes: 3/4", 7/8", 1", 1-1/4", 1-3/8", 1-1/2", 1-3/4", 2", 2-1/4", 2-1/2", 2-5/8", 3" and Mandrel
--------------	--



**Double Faced Melamine & Plastic ATB**



- For fine cuts in laminated board on both sides with melamine
- Table saws without scoring unit, vertical panel sizing saws, (Striebig, Holz-Her, etc.), radial arm saws, for cutting/grooving of soft and hard woods, with or against the grain
- Extra hard sub-micrograin carbide tips for long edge life

Item #	Outside Dia.	# of Teeth	Grind	Hook Angle	Bore
WR0611625480	10"	80	35° ATB	-5°	5/8"



**Ripping & Cross-Cut  
4 ATB & 1 Flat**



- For cutting/grooving of soft and hard woods with or against the grain

Item #	Outside Dia.	# of Teeth	Grind	Hook Angle	Bore
WR0611625450	10"	50	4 ATB, 1 Flat	15°	5/8"



**Triple Chip/Flat**



- For cutting plastic laminated particle boards, HPL particle boards, Plastic laminated MDF boards

Item #	Outside Dia.	# of Teeth	Grind	Hook Angle	Bore
WR0611625460	10"	60	TC/Flat	10°	5/8"
WR0611625481	10"	80	TC/Flat	10°	5/8"

## AMANA SAW BLADES



### Prestige™ 18° Hook Alternate Top Bevel (ATB) Grind



- Prestige™ is rated excellent for ripping solid wood, crosscutting solid wood, ripping plywood and crosscutting plywood
- The precision ground D-10 carbide teeth are individually computer-verified for minimal runout
- Features a massive tool-steel plate (.102" thick) with expansion slots and copper plugs that practically eliminate vibration.
- The 40 teeth are ground with a steep 20° bevel angle, alternating left/right, for crisp, clean cuts both across grain and with the grain
- The 18° hook angle yields an effortless feed
- This general purpose blade cuts smoother and stays sharper longer than other similar blades

Item #	Outside Dia.	# of Teeth	Grind	Hook Angle	Kerf Width	Plate Thickness	Cooling Expansion Slots	Copper Plugs	Bore
ANPR1040	10"	40	ATB	18°	.134"	.102"	Yes	Yes	5/8"



### Glue Line Ripping 22° Hook, Triple Chip (TC) Grind



- Rip then glue up - with this blade, there's no need for sanding or jointing after the cut
- The precision triple-chip grind and extra-high hook angle allow aggressive feed rates, yet produces an extra-smooth cut finish
- The thick plate minimizes vibration
- Use on table saws, sliding table saw, single and gang-rip operations

Item #	Outside Dia.	# of Teeth	Grind	Hook Angle	Kerf Width	Plate Thickness	Cooling Expansion Slots	Copper Plugs	Bore
AN610301	10"	30	TCG	22°	.145"	.095"	Yes	Yes	5/8"



### Euro Rip with Cooling Slots



- Designed for ripping hardwood and softwood, this exceptional blade cuts fast and smooth
- The flat-top grind and the high positive hook angle reduce feed effort
- The anti-kickback limits the thickness of chip; taken to offer a safer cut
- Cooling slots in the body prevent excessive heat build-up
- Carbide tipped

Item #	D Cutting Dia.	# of Teeth	Hook Grind	Kerf Angle	Plate Width	Thickness	Cooling Expansion Slots	Cooper Plugs	Bore
ANRB1020	10"	20	FT	20°	.126"	.087"	Yes	Yes	5/8"

**A AMANA SAW BLADES**

B  
C  
D  
E  
F  
G  
H  
I  
J  
K  
L  
M  
N  
O  
P  
Q  
R  
S  
T  
U  
V  
W  
X  
Y



**Combination Ripping & Crosscut, 15° Hook, Combo Grind 4 ATB & 1 Raker**



- Where one blade must do almost everything, ripping and crosscutting hard wood and soft wood, cutting plywood, this blade is a good choice
- It is in the traditional combination-blade configuration, with a flat-top tooth and 4 alternate top bevel teeth in groupings of five
- The large gullets at the raker tooth allow deep cuts with improved chip ejection

Item #	Outside Dia.	# of Teeth	Grind	Kerf Width	Plate Thickness	Hook Angle	Cooling Exp.Slots	Copper Plugs	Bore
AN610504	10"	50	4 ATB, 1 Raker	.135"	.095"	15°	No	No	5/8"
AN612604	12"	60	4 ATB, 1 Raker	.150"	.110"	15°	No	No	1"



**Cut-Off & Cross-Cut, 10° Hook, Alternate Top Bevel (ATB) Grind**



- Combination of 10 degree hook and the alternate top bevel tooth grind provide good-quality cuts and a long cutting life
- Suitable for hard woods, soft woods, plywood and chipboard
- Good choice for heavy production in any cabinet-making shop

Item #	Outside Diameter	# of Teeth	Grind	Hook Angle	Kerf Width	Plate Thickness	Cooling Exp. Slots	Copper Plugs	Bore
AN610600	10"	60	ATB	10°	.126"	.087"	Yes	Yes	5/8"
AN612600	12"	60	ATB	10°	.126"	.087"	Yes	Yes	1"
AN612720	12"	72	ATB	10°	.126"	.087"	Yes	Yes	1"



**Fine Cut-off & Cross-Cut, 10° Hook, Triple Chip (TC) Grind**



- Veneer and laminate design
- Ideal for cutting materials with fragile surface layers, like veneers and laminates
- High tooth counts yield smooth finishes and the 10 degree hook angle provides effortless feeding
- The triple-chip tooth opens a narrow kerf, and the raker widens it

Item #	Outside Dia.	# of Teeth	Grind	Kerf Width	Plate Thickness	Hook Angle	Cooling Exp. Slots	Copper Plugs	Bore
AN610801	10"	80	TCG	.126"	.087"	10°	Yes	Yes	5/8"

## AMANA SAW BLADES



### General Purpose Cut-Off 10° Hook, Triple Chip (TC) Grind



- Engineered to provide general trim and crosscut of single or double sided plastic laminated materials
- Blade leaves a smooth clean chip free finish on the top and bottom edges
- Blade features a high tooth count, the triple-chip grind and a 10° hook angle for a successful compromise between feed effort and cut finish

Item #	Outside Dia.	# of Teeth	Grind	Hook Angle	Kerf Width	Plate Thickness	Cooling Exp. Slots	Copper Plugs	Bore
AN610601	10"	60	TCG	10°	.126"	.087"	Yes	Yes	5/8"
AN612721	12"	72	TCG	10°	.126"	.087"	Yes	Yes	1"



### Trim 10° Hook, Alternate Top Bevel (ATB) Grind



- Suitable for use on table saws, sliding table saws, radial arms, and miter saws of all types
- Leaves a super-smooth finish when cutting hard or softwood
- Especially suited to trimming and sizing veneers and laminates in single sheets or in stacks
- The alternate top grind and high tooth counts produce excellent, chip-free cuts
- The 10° hook angle provides effortless feeding

Item #	Outside Dia.	# of Teeth	Grind	Hook Angle	Kerf Width	Plate Thickness	Cooling Expansion Slots	Copper Plugs	Bore
AN610800	10"	80	ATB	10°	.126"	.087"	Yes	Yes	5/8"
AN612960	12"	96	ATB	10°	.126"	.087"	Yes	Yes	1"



### Double-Face Melamine & Laminate 6° Negative Hook, 25° High ATB Grind



- Designed to cut melamine without chipping on the top or bottom edges.
- Special "high alternate triple bevel" grind (with 25 degree bevels) slices cleanly through fragile surface coatings like melamine and laminate.
- Heavy-duty plate for added stability and extremely smooth cuts - easily resharpened.

Item #	Outside Dia.	# of Teeth	Grind	Kerf Width	Plate Thickness	Hook Angle	Cooling Exp. Slots	Copper Plugs	Bore
ANMB86400	8"	64	H-ATB	.110"	.087"	25°	Yes	Yes	5/8"
ANMB10800	10"	80	H-ATB	.126"	.102"	25°	Yes	Yes	5/8"
ANMB12960	12"	96	H-ATB	.126"	.102"	25°	Yes	Yes	1"

**A AMANA & A.G.E. BY AMANA SAW BLADES**

A  
B  
C  
D  
E  
F  
G  
H  
I  
J  
K  
L  
M  
N  
O  
P  
Q  
R  
S  
T  
U  
V  
W  
X  
Y



**Solid Surface  
0° Hook, Modified Triple Chip (MTC) Grind**



- Designed to cut solid surface materials
- Triple chip grind is configured to leave a swirl-free cut in solid surface materials
- Thick, stable plate reduces vibration that degrades the cut and shortens tool life
- Zero degree hook angle virtually eliminates self-feeding when it is used with a radial arm saw
- -30 blades feature pin-hole configuration of 2/7/42, 2/9/46 and 2/10/60

Item #	Outside Dia.	# of Teeth	Grind	Hook Angle	Kerf Width	Plate Thickness	Cooling Exp. Slots	Copper Plugs	Bore
AN610721	10"	72	MTC	0°	.126"	.095"	Yes	Yes	5/8"
AN610721-30	10"	72	MTC	0°	.126"	.095"	Yes	Yes	30mm
AN612841	12"	84	MTC	0°	.126"	.095"	Yes	Yes	1"
AN612841-30	12"	84	MTC	0°	.126"	.095"	Yes	Yes	30mm



**Cut-Off & Cross-Cut**



- For hardwood, softwood, plywood and chipboard
- For heavy production
- Use on table and sliding table saws



Item #	Outside Dia.	# of Teeth	Grind	Hook Angle	Kerf Width	Plate Thickness	Cooling Exp. Slots	Copper Plugs	Bore
ANMD10-600	10"	60	ATB	12°	.126"	.087"	No	No	5/8"
ANMD10-800	10"	80	ATB	10°	.126"	.087"	No	No	5/8"
ANMD12-600	12"	60	ATB	12°	.126"	.087"	No	No	1"
ANMD12-800	12"	80	ATB	10°	.135"	.098"	No	No	1"



**Double Sided Melamine & Laminate  
10" & 12" Carbide Tipped Circular Blade**



- Cuts melamine chip-free on both sides
- Increased thickness of plate for added stability, & special high-ATB grind for extremely smooth cuts



Item #	Outside Dia.	# of Teeth	Grind	Hook Angle	Kerf Width	Plate Thickness	Cooling Exp. Slots	Copper Plugs	Bore
ANMD10-803	10"	80	H-ATB	-5°	.126"	.087"	No	No	5/8"
ANMD12-963	12"	96	H-ATB	-5°	.126"	.100"	No	No	1"

## MANUFACTURER INDEX (Listed in Alphabetical Order)

Manufacturer	Product Type	Section	Page(s)
3M	Abrasive Backup Pads	Q	20
3M	Abrasive Discs, Cloth Backed	Q	11 - 12
3M	Abrasive Discs, Film Backed	Q	10 - 11
3M	Abrasive Discs, Non-Woven	Q	13
3M	Abrasive Discs, Paper Backed	Q	4
3M	Abrasive Hand Pads	Q	28
3M	Abrasive Sheets	Q	26 - 27
3M	Abrasive, Portable Belts	Q	35
3M	Abrasive, Wide Belts	Q	38
3M	Accuspray Guns, Cups and Accessories	T	24 - 30
3M	Aerosol Contact Adhesives	R	42
3M	Bumpers	I	23
3M	Ear Protection	S	28
3M	Face Masks	S	40 - 41
3M	Fillers	R	59
3M	Hand Sanding Accessories	Q	31
3M	Hot-Melt Glues	R	23
3M	Lubricants	S	25
3M	Masking Paper	S	12
3M	Respiratory Protection	S	36 - 38
3M	Sanders	V	19
3M	Sanding Rolls	Q	32
3M	Sanding Sponges	Q	29
3M	Tack Cloth	S	11
3M	Tapes	S	2 - 7
909 Surfaces	Laminate Sheets	X	34
Adwood	Glue Pot Cleaner	R	49
Amana	Boring Bits	Y	23
Amana	Counterbores	Y	22
Amana	Countersinks	Y	19
Amana	Router Bits	Y	2 - 15
Amana	Saw Blades	Y	29 - 32
Amerock	Bath Hardware	O	55
Amerock	Decorative Hardware	A	80 - 134
Amerock	Decorative Hardware Jigs	A	134
Amerock	Elbow Catch	D	55
Amerock	Hinges	C	45 - 47
Amerock	Hooks	O	47

Manufacturer	Product Type	Section	Page(s)
Amerock	Magnetic Catches	D	45- 47
Amerock	Roller Catches	D	53 - 54
Atlantic Gasket Corp.	Foam Bumpers	I	23
Bainbridge	Bumpers	I	20
Bainbridge	Closet Tubing Flanges	N	29
Bainbridge	Corner Braces	P	47
Bainbridge	Corner Protector	S	7
Bainbridge	Drawer Pushers	E	105
Bainbridge	Drawer Slide Spacers	E	98 - 99
Bainbridge	Grommets	H	7, 13
Bainbridge	Recessed Pulls	A	139
Bainbridge	Screen Clip	P	49
Bainbridge	Shelf Supports	N	18
Bainbridge	Vertical Divider Clip	P	46
Bally Block	Wood Countertops	X	29 - 30
Berenson	Decorative Hardware	A	11 - 79
Berenson	Hooks	O	47
Bessey	Woodworking Clamps	U	2 - 7
BHK	Drawer Sides	G	3, 4
Blum	AVENTOS Lift Systems	C	2 - 21
Blum	Euro Hinges	B	6 - 13
Blum	Euro Hinges, Baseplates & Accessories	B	20 - 30
Blum	Euro Hinges, Specialty	B	14 - 19
Blum	Face Frame Hinges	B	31 - 38
Blum	Hinge Machines & Accessories	B	39 - 46
Blum	LEGRABOX Drawer Systems	G	11 - 25
Blum	METABOX Drawer Systems	G	46 - 52
Blum	Movento Accessories	E	67
Blum	Movento Orga-Line	E	65 - 66
Blum	Movento Undermount Drawer Slides & Servo-Drive	E	56 - 62
Blum	Tandem Accessories	E	53 - 55
Blum	Tandem Orga-Line	E	51 - 52
Blum	Tandem Servo-Drive	E	47 - 48
Blum	Tandem Undermount Drawer Slides	E	40 - 46
Blum	TANDEMBOX Drawer Systems	G	26 - 45

## MANUFACTURER INDEX (Listed in Alphabetical Order)

Manufacturer	Product Type	Section	Page(s)
Blum	Waste Bin Pull-Out with Movento & Servo-Drive	E	63 - 64
Blum	Waste Bin Pull-Out with Tandem Slides & Servo-Drive	E	49 - 50
Bommer	Hinges	O	49 - 51
Bosch	Cordless Drill Kits	V	2
Bosch	Drill Bits	Y	21
Bosch	Fastener Bits & Accessories	P	37
Bosch	Jig Saw Blades	Y	26 - 27
Bosch	Jigsaw	V	6
Bosch	Router Bits	Y	16 - 18
Bosch	Routers	V	4
Bostik	Lubricants	S	25
Bumper Specialities	Bumpers	I	22
C.A. Technologies	Spray Guns, Tanks and Accessoires	T	2 - 12
Cabinet Armor	Cabinet Protection	S	12
Cabinet Armor	Face Mask	S	39
Castle	Pocket Hole Machinery Bits	Y	22
CCI	Extension Cords	S	56
Centruy Components	X-Brackets	K	32
Certol	Disinfecting Spray	S	21
Certol	Disinfecting Wipes	S	20
CMF Global	Paint Pockets Overspray Arrestors	T	31
Chemco	Spray Booth Accessories	T	30 - 32
Choice Brands Adhesives	Aerosol Contact Adhesives	R	40
Clorox	Disinfecting Wipes	S	20
Color Putty	Wood Filler	R	55
CompX National Lock	Cam Lock Accessories	D	10 - 11
CompX National Lock	Cam Locks, Disc Tumbler	D	3 - 7
CompX National Lock	Cam Locks, Pin Tumbler	D	8 - 9
CompX National Lock	Chest/Lid Lock	D	42
CompX National Lock	SlamCAM	D	12

Manufacturer	Product Type	Section	Page(s)
CompX National Lock	Sliding Door Locks	D	43
CompX Timberline	Anti-Tip Interlock System	D	27
CompX Timberline	Cylinder Bodies	D	17
CompX Timberline	Cylinder Bodies, Cam Locks	D	18 - 19
CompX Timberline	Cylinder Bodies, Deadbolt Locks	D	20 - 21
CompX Timberline	Cylinder Bodies, Double Door Locks	D	22
CompX Timberline	Cylinder Bodies, Gang Locks	D	23 - 25
CompX Timberline	Cylinder Bodies, Wardrobe Locks	D	26
CompX Timberline	Double Door Latch	D	44
CompX Timberline	File Drawer Frame System	E	100
CompX Timberline	Glass Door Locks	D	28 - 29
CompX Timberline	Keyless Locks	D	13 - 15
CompX Timberline	Lock Accessories	D	30 - 31
CompX Timberline	Sliding Door Locks	D	43
Custom Accents	Grommets	H	7, 9, 13
Custom Accents	Hanging File Rails	E	103
Custom Accents	Wire Management	H	15
DAP	Caulk	R	52, 53
DAP	Construction Adhesives	R	50
DAP	Sealants	R	54
DAP	Wood Filler	R	56
Decofelt	Bumpers	I	24
DH Casters	Casters	I	26 - 32
DH Casters	Glide	I	19
Docking Drawer	Inside Drawer Outlets	K	35 - 37
Dolken Woodtape	PVS Edgebanding	M	4
Dorus	Edgebanding Adhesives	R	48, 49
Durasein	Sinks	X	33



## MANUFACTURER INDEX (Listed in Alphabetical Order)

Manufacturer	Product Type	Section	Page(s)
Durasein	Sold Surface Sheets	X	31 - 32
Dynabrade	Abrasive Backup Pads	Q	18 - 19, 22 - 23
Dynabrade	Abrasive Discs, Film Backed	Q	8 - 9
Dynabrade	Abrasive Discs, Net	Q	15
Dynabrade	Abrasive Sheets, Foam	Q	24
Dynabrade	Air Tool Accessories	V	26 - 28
Dynabrade	Downdraft Tables	W	12 - 13
Dynabrade	Dust Extractors	V	36 - 40
Dynabrade	Dynafine Abrasives	Q	16 - 17
Dynabrade	Sanders	V	7 - 14
EBCO	Table Legs, Banquet	I	9
Eclectic	Construction Adhesives	R	50
Eclectic	Glaze Coat	R	54
EPCO	Ball Catches	D	52
EPCO	Decorative Hardware	A	136 - 138
EPCO	Elbow Catch	D	54
EPCO	Magnetic Catches	D	45- 47
EPCO	Sliding Door Pulls	O	42
EPCO	Sliding Door Tracks	O	39 - 42
EPCO	Touch Latches	D	50
Excel	Dowel Rods	P	52
Famowood	Wood Filler	R	56, 58
FastCap	3 Way Clamp	U	2
FastCap	3rd Hand Supports	U	24
FastCap	Apron	S	52
FastCap	Bumper	I	24 - 25
FastCap	Covercaps	P	40 - 44
FastCap	Double Sided Tape	R	42
FastCap	Drawer Bumpers	E	99
FastCap	Dually Grommet	H	9
FastCap	Edgebanding	M	17
FastCap	Edgebanding Tools	M	18
FastCap	Eye Protection	S	32 - 33
FastCap	Face Masks	S	41
FastCap	Fast Break Sander	Q	31
FastCap	Fast Break Sander	U	13
fastCap	Fastener Bits & Accessories	P	37-38
FastCap	Finishing Clips	S	12
FastCap	Glue Applicators	R	22

Manufacturer	Product Type	Section	Page(s)
FastCap	Inset Door Stops	E	99
FastCap	Installation Screws	P	23
FastCap	Instant Glues	R	21
FastCap	Interior Door Installation Tool	U	20
FastCap	Junction Box Grommets	H	15
FastCap	Kolbe Korner	E	104
FastCap	Magnetic Catches	D	48
FastCap	Marking Tools	U	16
FastCap	Material Handling	S	9
FastCap	Miller FastBlock	E	98
FastCap	Pocket Awl	U	17
FastCap	Pull Saw	U	15
FastCap	Quad Trimmer	U	13
FastCap	Saw Hood	V	5
FastCap	Scribing Tool	U	17
FastCap	Shelf/Countertop Supports	I	5 - 6
FastCap	Shelf/Countertop Supports	N	3, 8
FastCap	Spacer	E	98
FastCap	Speed Brace	I	7
FastCap	Speedroller	U	12
FastCap	Tape Measures	U	18 - 19
FastCap	Tape, Double Sided	S	5
FastCap	Temporary Knob/Handle	S	4
FastCap	The Jack Clamp	U	5
FastCap	Trimmers	U	11
FastCap	Utility Knife	U	15
FastCap	Wax Filler System	R	55
Festool	Abrasive Backup Pads	Q	21
Festool	Abrasive Discs, Paper Backed	Q	5
Festool	Conturo	M	2 - 3
Festool	Cordless Drill Kit	V	2
Festool	Domino Tenons	V	32
Festool	Dust Extractors	V	33 - 35
Festool	Inspection Light	V	22
Festool	Jigsaw	V	6
Festool	Joiners	V	30, 31
Festool	Router	V	5
Festool	Sanders	V	21, 22

## MANUFACTURER INDEX (Listed in Alphabetical Order)

Manufacturer	Product Type	Section	Page(s)
Formica	Cold Press Glues	R	18
Formica	Contact Adhesives	R	27, 28, 31, 34, 35, 39
Formica	Everform Seam Adhesive	X	36
Formica	Everform Solid Surface	X	35
Formica	Laminate Sheets	X	37
Formica	Solvents	R	38
Formica	Wood Glues	R	8, 10, 14
FormWood	Wood Edgebanding	M	14 - 16
FormWood	Wood Veneer Sheets	M	10 - 13
Franklin	Wood Glues	R	12
Fuller	Countersinks	Y	18
Fuller	Drill Bits	Y	21
Fulterer	Pencil Drawer Pull-Outs	H	16
Gem	Abrasive Discs, Non-Woven	Q	13
Gem	Sanders	V	20
Grand River	Wood Bun Feet	L	11
Grass	Bumpers	I	22
Grass	Drawer Bumpers	E	99
Grass	Drawer Front Adjusters	E	106
Grass	Dynapro 2.0 Undermount Drawer Slides & Accessories	E	68 - 73
Grass	Dynapro Tipmatic Drawer Slides	E	75
Grass	Dynapro Undermount Drawer Slides	E	74
Grass	Elite Plus Drawer Slides	E	76
Grass	Epoxy Drawer Slides	E	3 - 5
Grass	Euro Hinges, Nexis	B	69 - 72
Grass	Euro Hinges, Nexis Baseplates & Accessories	B	76 - 82
Grass	Euro Hinges, Nexis Specialty	B	73 - 75
Grass	Euro Hinges, Tiomos	B	47 - 54
Grass	Euro Hinges, Tiomos Baseplates & Accessories	B	62 - 68
Grass	Euro Hinges, Tiomos Specialty	B	55 - 61
Grass	Expoxy Slide Bracket	E	96
Grass	Face Frame Hinges	B	83 - 90

Manufacturer	Product Type	Section	Page(s)
Grass	Hinge Machines & Accessories	B	91 - 92
Grass	Hinge, Slide & Hardware Screws	P	29
Grass	Institutional Hinges	C	40
Grass	KINVARO Lift Systems	C	22 - 27
Grass	Maxcess Drawer Slides	E	77
Grass	Nova Pro Drawer Systems	G	62, 63
Grass	Nova Pro Scala Drawer Systems	G	64 - 74
Grass	TIOMOS Flap Hinges	C	28
Grass	Vionaro Drawer Systems	G	53 - 61
Grass	Zargen Drawer Systems	G	75 - 85
Grass	Zbox Drawer Systems	G	86 - 88
H.B. Fuller	Edgebanding Adhesives	R	48
Hardware Concepts	Cabinet Levelers	I	13 - 14
Hardware Concepts	Grommets	H	5 - 6 & 10 - 14
Hardware Concepts	Recessed Pulls	A	139
Hardware Concepts	Shelf Supports	N	19
Hettich	AvanTech YOU Drawer Systems	G	89 - 92
Hettich	Euro Hinges	B	93 - 99
Hettich	Euro Hinges, Baseplates & Accessories	B	100 - 102
Hettich	Face Frame Hinges	B	103-104
Hettich	Flap Hinge	C	52
Hettich	Quadro 4D V6 Undermount Drawer Slides	E	82 - 85
Hettich	Quadro V6 Undermount Drawer Slides	E	78 - 81
Hettich	Quadro V6+ Undermount Drawer Slides	E	86
Hettich	Shelf Supports	N	20
Hettich	Sliding Door Hardware	O	18 - 29
Hex Armor	Face Shield	S	36
Hughes Supply	Bumper	I	25
Hughes Supply	Corner Braces	P	47
Hughes Supply	Retaining Clips	P	49

## MANUFACTURER INDEX (Listed in Alphabetical Order)

Manufacturer	Product Type	Section	Page(s)
Hughes Supply	Shelf Supports	N	19 - 20
Infinity PUR	Adhesive System	R	24
Iron-A-Way	Ironing Board Cabinets	K	59 - 60
Ives	Elbow/Ball Catches	D	55
Ives	Hooks	O	45, 48
Ives	Magnetic Catches	D	46- 47
Ives	Passage Door Hardware	O	52 - 54
Ives	Sliding Door Pulls	O	43 - 44
Jacknob	Toilet Partition Hardware	O	56 - 59
Jowat	Edgebanding Glues	R	43, 46 - 48
Jowat	Wood Glues	R	14, 16
Kampel	Putty Knife	R	60
Karran	Faucets	X	22 - 23
Karran	Sink Accessories	X	24 - 28
Karran	Sinks	X	2 - 21
Kent Design	Wire Grills	L	12
Kinetron	Pendaflex Brackets & Hanger Rails	E	102
King Slide	Ball Bearing Drawer Slides	E	35
King Slide	Undermount Drawer Slides	E	87
Knape & Vogt	Ball Bearing Drawer Slides	E	13 - 30, 33
Knape & Vogt	Barn Door Hardware	O	16
Knape & Vogt	Base Cabinet Pull-Out Organizers	K	52 - 53
Knape & Vogt	Chair Braces	P	47
Knape & Vogt	Cloest Extension Hangers	N	30
Knape & Vogt	Closet Tubing & Flanges	N	23 - 28
Knape & Vogt	Closet Tubing Supports	N	29
Knape & Vogt	Door Latch	O	51
Knape & Vogt	Epoxy Drawer Slides	E	6
Knape & Vogt	G-Slide Undermount Drawer Slides	E	90
Knape & Vogt	Hinged Door Slides	E	32
Knape & Vogt	Hooks	O	48
Knape & Vogt	Index Tracks	E	105
Knape & Vogt	Keyboard Slides	E	31
Knape & Vogt	Keyboard Trays	H	16
Knape & Vogt	Label Holders	E	105
Knape & Vogt	Lazy Susans	K	54 - 55

Manufacturer	Product Type	Section	Page(s)
Knape & Vogt	Locks, Specialty	D	42 - 44
Knape & Vogt	Mirror Clip	P	45
Knape & Vogt	MUV+ Undermount Drawer Slides	E	88
Knape & Vogt	Pilasters	F	16 - 18
Knape & Vogt	Pocket Door Slides	E	107 - 110
Knape & Vogt	Recessed Pull	A	138
Knape & Vogt	Samet Undermount Drawer Slides	E	89
Knape & Vogt	Sheaves & Rollers	O	37
Knape & Vogt	Shelf Brackets	N	6, 8
Knape & Vogt	Shelf Brackets w/Closet Rod Support	N	9
Knape & Vogt	Shelf Supports	N	14, 16, 17
Knape & Vogt	Sliding Door Pulls	O	43 - 44
Knape & Vogt	Sliding Door Tracks	O	38, 39, 42
Knape & Vogt	Standards & Brackets, Double Slot	F	12 - 15
Knape & Vogt	Standards & Brackets, Single Slot	F	4 - 11
Knape & Vogt	Stays	C	33
Knape & Vogt	Tip-Out Trays	K	54
Knape & Vogt	Tite-Joints	P	39
Knape & Vogt	Top & Desk Fasteners	P	46
Knape & Vogt	Waste Bin Pull-Outs	K	49 - 51
KPI	Hanging File Rails	E	103
Kreg	Face Frame Screws / Pocket Hole Screws	P	19 - 20
Kreg	Jigs	U	20 - 22
Kreg	Machinery	W	14
Kreg	Pocket-Hole Plugs	P	43
Lamello	Biscuits	P	53
Lamello	Joiner	V	29
Lamello	Wood Biscuits	V	29
Lami-Lube	Lubricants	S	23 - 24
Lavi	Bar Railing Hardware	O	60 - 64
Lemyn Organics	Hand Sanitizer	S	18
Mockett	Grommets	H	8 - 12, 14
Moldex	Respiratory Protection	S	38
Monk	Disinfecting Wipes	S	20

## MANUFACTURER INDEX (Listed in Alphabetical Order)

Manufacturer	Product Type	Section	Page(s)
Murphy Door	Hidden Door Hinge Kits	O	36
Nelson Wood Shims	Shims	S	2
Nevamar	Laminate Sheets	X	39
Northern Safety	Aprons	S	52
Northern Safety	Brushes	S	10
Northern Safety	Ear Protection	S	28 - 29
Northern Safety	Eye Protection	S	30, 32 - 35
Northern Safety	Face Masks	S	40
Northern Safety	First Aid Kits	S	55
Northern Safety	Gloves	S	42, 46 - 50
Northern Safety	LED Flashlight	S	56
Northern Safety	Protective Clothing	S	53 - 54
Northern Safety	Toilet Paper Dispenser	S	15
Northern Safety	Wipers	S	17
Olympus Lock	Cam Lock Bodies	D	36
Olympus Lock	Cam Locks, Pin Tumbler	D	34
Olympus Lock	Deadbolt Lock Bodies	D	37
Olympus Lock	Deadbolt Locks	D	35
Olympus Lock	Elbow Catch	D	54
Olympus Lock	Lock Accessories	D	40 - 41
Olympus Lock	Padlockable Cam Lock	D	33
Olympus Lock	SFIC Cylinders	D	38
Olympus Lock	Spacers	D	39
Omega National	Floating Shelves	N	13
Omega National	Tambour	L	14 - 16
Omega National	Ventilators	K	40
Omega National	Wood Appliance Garages	K	46
Omega National	Wood Blind Corner Organizer	K	42
Omega National	Wood Corbels	L	10
Omega National	Wood Drawer Inserts	K	43
Omega National	Wood Hoods	K	38 - 39
Omega National	Wood Lattice Door Insert	L	11
Omega National	Wood Lazy Susans	K	41
Omega National	Wood Stemware Racks	K	44
Omega National	Wood Tray Dividers	K	42
Omega National	Wood Wine Racks	K	45
Panolam	Duet Wall Panels	X	41

Manufacturer	Product Type	Section	Page(s)
Panolam	FRL	X	43
Panolam	FRP	X	42
Panolam	Laminate Sheets	X	40
Paramount	Aluminum Extruded Pulls	A	135 - 136
Paramount	Hanging File Rails	E	102
Paramount	U-Channel / Shelf Stiffener	N	9
Paramount	Z-Clips	P	50
Patwin	Bumper Moldings	M	20
Patwin	T-Moldings	M	19
Patwin	U-Channel	M	20
PEC Friction Fighters	Abrasive, Graphite Roll	Q	36
Peter Meier	Cabinet Levelers	I	14 - 17
Peter Meier	Drawer Front Adjusters	E	104
Peter Meier	Floating Brackets	N	12
Peter Meier	Furniture Levelers	I	12
Peter Meier	Hanging Bracket	N	23
Peter Meier	Table Clamps	I	8
Peter Meier	Table Legs	I	10 - 11
Phenoseal	Caulk	R	52
Physicians Care	Eye Wash Stations	S	55
Pionite	Laminate Sheets	X	38
Plastic-Cut	Laminate Files	U	8
Pony Jorgensen	Woodworking Clamps	U	2 - 7
Porter Cable	Abrasive Backup Pads	Q	21
Porter Cable	Abrasive, Portable Belts	Q	35
Porter Cable	Joiner	V	29
Porter Cable	Routers	V	3
Porter Cable	Stapler & Pinner	V	23, 24
Practical Products	Edgebanding Trimmer	U	13
Practical Products	Edgebanding Trimmer	M	18
Practical Products	Laminate File Accessories	U	10
Practical Products	Laminate Rollers	U	12
Practical Products	Scribing Tool	U	17
Practical Products	Tempilaq Temperature Monitor	S	25
Premier	Brushes & Rollers	S	10
Premier Adhesives	Contact Adhesives	R	26
PRO Value Series	2000 Drawer Systems	G	5 - 10
PRO Value Series	Backsplash Fasteners	P	45

## MANUFACTURER INDEX (Listed in Alphabetical Order)

Manufacturer	Product Type	Section	Page(s)
PRO Value Series	Ball Bearing Drawer Slides	E	8 - 12
PRO Value Series	Ball Catches	D	52
PRO Value Series	Barn Door Hardware	O	2 - 5
PRO Value Series	Brushes	S	10
PRO Value Series	Closet Tubing & Flanges	N	23 - 28
PRO Value Series	Connecting Screws	P	35
PRO Value Series	Corner Braces	P	47
PRO Value Series	Decorative Hardware	A	2 - 10
PRO Value Series	Decorative Hardware Display Boards	A	143
PRO Value Series	Drying Rack	S	9
PRO Value Series	Edgebanding	M	6
PRO Value Series	Epoxy Drawer Slides	E	2
PRO Value Series	Euro Hinges	B	2 - 4
PRO Value Series	Face Frame Hinges	B	5
PRO Value Series	Face Masks	S	39
PRO Value Series	False Front Bracket	K	57
PRO Value Series	Glue Bottles	R	22
PRO Value Series	Hanging Rail System	N	22
PRO Value Series	Hinge Hole Repair Kit	P	43
PRO Value Series	Institutional Hinges	C	39
PRO Value Series	Interlocking Panel Assembly Hardware	P	48
PRO Value Series	LED Power Supplies & Accessories	J	14 - 15
PRO Value Series	LED Puck Lights	J	12 - 13
PRO Value Series	LED Stick Lights	J	10 - 11
PRO Value Series	LED Tape Lights	J	2 - 9
PRO Value Series	Magnetic Catches	D	45
PRO Value Series	Mending Plates	P	46
PRO Value Series	Metal Toe Kicks	K	58
PRO Value Series	Modesty Panel Bracket	K	57
PRO Value Series	Nail Glides	I	20
PRO Value Series	Paint Strainers	S	11
PRO Value Series	Post Hangers	P	49
PRO Value Series	Radius Moldings	L	16
PRO Value Series	Rags	S	17
PRO Value Series	Roller Catch	D	53
PRO Value Series	Rope Moldings	L	10
PRO Value Series	Shelf Brackets w/Closet Rod Support	N	10

Manufacturer	Product Type	Section	Page(s)
PRO Value Series	Shelf Supports	N	14 - 17
PRO Value Series	Shelf/Countertop Supports	I	5 - 6
PRO Value Series	Shelf/Countertop Supports	N	3, 5
PRO Value Series	Standards & Brackets	F	2 - 3
PRO Value Series	Standoffs	H	2 - 4
PRO Value Series	Stays	C	31, 32
PRO Value Series	Stretch Film	S	7
PRO Value Series	Touch Latch	D	49, 52
PRO Value Series	Undermount Drawer Slides	E	36 - 39
PRO Value Series	Waste Bin Pull-Outs	K	2
PRO Value Series	Wood Bun Feet	L	2 - 8
PRO Value Series	Wood Columns	L	2 - 9
PRO Value Series	Wood Corbels	L	2 - 8
PRO Value Series	Wood Edgebanding	M	7 - 9
PRO Value Series	Wood Veneer Sheets	M	5 - 6
PRO Value Series	Workstation Brackets	I	4
PRO Value Series	Workstation Brackets	N	2
Proter Cable	Biscuits	P	53
PSS	Finishing Supplies	S	11 - 12
PSS	Mixing Cups	S	13
Quick Screws	Assembly Screws	P	11
Quick Screws	Conformat Screws	P	35
Quick Screws	Euro Screws	P	34
Quick Screws	Face Frame Screws / Pocket Hole Screws	P	16 - 17, 19
Quick Screws	Hinge, Slide & Hardware Screws	P	27, 31
Quick Screws	Installation Screws	P	21
Quick Screws	Tite-Joints	P	39
Quiet Glide	Barn Door Hardware	O	6 - 15
Quiet Glide	Rolling Ladders	O	30 - 35
Rakks	Handrail Bracket	O	49
Rakks	Shelf/Countertop Supports	I	2 - 3
Rakks	Shelf/Countertop Supports	N	4 - 5, 7
Reeve	Shelf Brackets	N	6
Reeve	Slatwall Accessories	F	24
Reeve	Standards & Brackets, Accessories	F	24
Reeve	Standards & Brackets, Double Slot	F	23

## MANUFACTURER INDEX (Listed in Alphabetical Order)

Manufacturer	Product Type	Section	Page(s)
Reeve	Standards & Brackets, Recessed	F	19
Reeve	Standards & Brackets, Single Slot	F	20 - 23
Rev-A-Shelf	Base/Wall Cabinet Pull-Out Organizers	K	62 - 80
Rev-A-Shelf	Blind Corner Pull-Outs	K	101 - 107
Rev-A-Shelf	Bottom Mount Waste Bin Pull-Outs	K	136 - 145
Rev-A-Shelf	Cabinet Door Organizers	K	130 - 133
Rev-A-Shelf	Charging Drawer & Cutting Board Racks	K	129
Rev-A-Shelf	Closet Accessories	N	31 - 36
Rev-A-Shelf	Closet Hampers	N	40 - 42
Rev-A-Shelf	Closet Pull-Out Baskets	N	37 - 39
Rev-A-Shelf	Drawer Inserts	K	117 - 122
Rev-A-Shelf	Drawer/Shelf Pull-Outs	K	91 - 98
Rev-A-Shelf	Drawers	K	123 - 128
Rev-A-Shelf	Drip Trays	K	113
Rev-A-Shelf	D-Shaped Lazy Susans	K	156 - 158
Rev-A-Shelf	File Drawer Frame System	E	100 - 101
Rev-A-Shelf	Full Circle Lazy Susans	K	150 - 155
Rev-A-Shelf	Glideware	K	99 - 100
Rev-A-Shelf	Jewelry Organizers	N	43
Rev-A-Shelf	Kidney Lazy Susans	K	159 - 165
Rev-A-Shelf	Lazy Susan Hardware	K	169
Rev-A-Shelf	Magnetic Locks	D	42
Rev-A-Shelf	Mixer Lifts	K	111 - 112
Rev-A-Shelf	Pantry Pull-Out Organizers	K	81 - 90
Rev-A-Shelf	Pie-Cut/Half Moon Lazy	K	166 - 168
Rev-A-Shelf	Pull-Down Shelves	K	135
Rev-A-Shelf	Pull-Out Ironing Boards	K	180
Rev-A-Shelf	Replacement Waste Bins	K	149
Rev-A-Shelf	Shelf Supports	N	18
Rev-A-Shelf	Sidelines Closet Accessories	N	45 - 56
Rev-A-Shelf	Stemware Racks	K	134
Rev-A-Shelf	Tip-Out Trays	K	113 - 116
Rev-A-Shelf	Top Mount Waste Bin Pull-Outs	K	146 - 148
Rev-A-Shelf	Tray Dividers	K	110 - 111
Rev-A-Shelf	Undersink Organizers	K	108 - 110

Manufacturer	Product Type	Section	Page(s)
Rev-A-Shelf	Vanity Base Pull-Out Organizers	K	170 - 171
Rev-A-Shelf	Vanity Cabinet Door	K	179
Rev-A-Shelf	Vanity Drawers	K	176 - 177
Rev-A-Shelf	Vanity Pull-Out Hampers/Waste Bins	K	172 - 175
Rev-A-Shelf	Vanity Pull-Out Shelf Organizers	K	178
Rev-A-Shelf	Wire Shoe Rails	N	44
Richwood Industries	Polybak, Dry Erase & Tackable Panels	X	44
Rockford Process Control	Institutional Hinges	C	38 - 39
Rockford Process Control	Piano Hinges	C	42
Roo Glue	Melamine Glues	R	16
Salice	Epoxy Drawer Slides	E	7
Salice	Euro Hinges	B	105 - 115
Salice	Euro Hinges, Baseplates & Accessories	B	125 - 131
Salice	Euro Hinges, Specialty	B	116 - 124
Salice	F70 Smove Undermount Drawer Slides & Accessories	E	92 - 95
Salice	Face Frame Hinges	B	132 - 135
Salice	Futura Undermount Drawer Slides	E	91
Salice	Institutional Hinges	C	41
Salice	PACTA Hinges	C	30
Salice	WIND Lift Systems	C	29
Sames-Kremlin	Spray Guns, Tanks and Accessoires	T	13 - 23
SawStop	Saws	W	18 - 24
Scotch	Tapes	S	4
SeamFil	Laminate Repairers	R	60
Selby	Ball Catches	D	52
Selby	Bi-Fold Hige	O	17
Selby	Bullet Catch	D	54
Selby	Floating Brackets	N	12
Selby	Hinge, Drop-Leaf	I	8
Selby	Hinges	C	50 - 51
Selby	Interlocking Panel Assembly Hardware	P	50

## MANUFACTURER INDEX (Listed in Alphabetical Order)

Manufacturer	Product Type	Section	Page(s)
Selby	Keyhole Plates	P	45
Selby	Leveling Wedge	I	17
Selby	Post Hangers	P	49
Selby	Shelf Supports	N	15, 20, 21
Selby	Table Brackets	I	8
Selby	Table Leg Bracket	I	9
Selby	Wall Bed Mechanisms	O	36
Senco	Air Tool Oil	V	28
Senco	Bradder	V	25
Senco	Finish Nails	P	5
Senco	Micro Brads/Pins	P	6
Senco	Specialty Pneumatic Fasteners	P	7
Senco	Staplers & Pinner	V	23, 24
Senco	Staples	P	3 - 4
Shepherd Hardware	Caster	I	26
Simonds	Laminate Files	U	9
SOSS	Barrel Hinges	C	42
SOSS	Invisible Hinges	C	43
Space Balls	Panel Inserts	L	13
Stanley	Hammers	U	25
Stanley	Putty Knife	U	16
Stanley	Razor Blade Scraper	U	15
Stanley	Tape Measures	U	19
Stanley	Utility Knife	U	14
STA'-PUT	Contact Adhesives	R	26, 35
Stronghold Brackets	Closet Rod Bracket	N	10
Stronghold Brackets	Floating Brackets	I	7
Stronghold Brackets	Floating Brackets	N	11 - 12
Stronghold Brackets	Wall Panel Bracket	P	51
Sugatsune	Concealed Door Hinges	C	44
Sugatsune	Decorative Hardware	A	134, 138
Sugatsune	Drop Lid Hinge	C	52
Sugatsune	Euro Hinges	B	136
Sugatsune	Fastmount Panel Mounting Clips	P	51

Manufacturer	Product Type	Section	Page(s)
Sugatsune	Folding Bracket	I	8
Sugatsune	Folding Shelf Bracket	N	8
Sugatsune	Hooks	O	46
Sugatsune	Magnetic Catches	D	48
Sugatsune	Pull Down Closet Rod	N	36
Sugatsune	Push Knob Cabinet Lock	D	56
Sugatsune	Roller Catches	D	53
Sugatsune	Stainless Steel Ball Bearing Drawer Slides	E	34 - 35
Sugatsune	Stays	C	33 - 37
Sugatsune	Touch Latches	D	51
Sunbelt	Plastic Toe Kicks	K	58
Superior Components Inc.	Glides	I	18 - 19
Surf Prep	Abrasive Backup Pads	Q	20, 22, 23
Surf Prep	Abrasive Discs, Foam	Q	15
Surf Prep	Abrasive Discs, Non-Woven	Q	13
Surf Prep	Abrasive Discs, Paper Backed	Q	4
Surf Prep	Abrasive Foam Pads	Q	25
Surf Prep	Abrasive Hand Pads	Q	30
Surf Prep	Abrasive Sheets, Film Back	Q	24
Surf Prep	Inspection Light	V	22
Surf Prep	Sanders	V	15 - 18
Surf Prep	Sanding Sponges	Q	29
Tenn-Tex Plastics	False Front Clips	K	57
Tenn-Tex Plastics	QuickTRAYS	K	33 - 34
Tenn-Tex Plastics	Shelf Supports	N	18 - 19
Tenn-Tex Plastics	Slide Brackets	E	96 - 97
Tensor Grip	Contact Adhesives	R	29, 31, 36, 37, 40, 41
Titebond	Cold Press Glues	R	19
Titebond	Construction Adhesives	R	51, 52
Titebond	Sealants	R	53
Titebond	Specialty Glues	R	20
Titebond	Wood Glues	R	9, 11, 12, 15, 16
Titus	Cabinet Levelers	I	15
Titus	Covercaps	P	42
Titus	Drawer Front Adjusters	E	106

## MANUFACTURER INDEX (Listed in Alphabetical Order)

Manufacturer	Product Type	Section	Page(s)
Titus	System Fittings	P	54 - 56
Tork	Towel Dispenser	S	15
Tresco	Accessories	J	52 - 64
Tresco	Cabinet Sized LED Kits	J	25 - 30
Tresco	Countertop Display	J	67
Tresco	Infinex	J	31 - 34
Tresco	LED 120V Puck Lights	J	66
Tresco	LED Linear Lights	J	40 - 42
Tresco	LED Panels	J	65
Tresco	LED Puck Lights	J	43 - 46
Tresco	LED RGB-CCT Tape Lights	J	16 - 24
Tresco	LED Tape Lights	J	35 - 39
Tresco	Power Supplies	J	47 - 51
Triangle	Lazy Susan Bearings	K	56
True Position	Decorative Hardware Jigs	A	140 - 141
True Position	Jigs	U	23
True Position	Puck Light Jig	J	68
Ultra Hardware	Ball Catches	D	52
Ultra Hardware	Bullet Catch	D	54
Ultra Hardware	Butt Hinge	C	50
Ultra Hardware	Magnetic Catches	D	45
US Futaba	Bi-Fold Hige	O	17
US Futaba	Folding Shelf Bracket	N	8
US Futaba	Touch Latches	D	50
Vauth-Sagel	Base Cabinet Pull-Out Organizers	K	14 - 18
Vauth-Sagel	Blind Corner Organizers	K	19 - 26
Vauth-Sagel	Pantry Pull-Out Organizers	K	27 - 31
Vauth-Sagel	Waste Bin Pull-Outs	K	3 - 13
VSM	Abrasive Discs, Cloth Backed	Q	12
VSM	Abrasive Sheets	Q	28
Weiler	Brushes & Brooms	S	15
West Wood Products	Drawer Sides	G	2, 3
Wood Technology	Felt Roll & Silverware Kit	K	56
Wood Technology	Flap Hinge	C	52
Wood Technology	Glass Door Hinges	C	51

Manufacturer	Product Type	Section	Page(s)
Wood Technology	Glides	I	18
Wood Technology	Strike Plates	D	49
Woodfold	Wood Breadboards	K	48
Woodfold	Wood Drawer Kits	K	48
Woodfold	Wood Tambours	K	47
Woods	Power Cords	S	56
Wood-Tex	Wood Filler	R	58
Wurth	Abrasive Backup Pads	Q	18
Wurth	Abrasive Discs, Cloth Backed	Q	12
Wurth	Abrasive Discs, Film Backed	Q	6 - 7
Wurth	Abrasive Discs, Foam	Q	14
Wurth	Abrasive Discs, Net	Q	15
Wurth	Abrasive Discs, Paper Backed	Q	2 - 3
Wurth	Abrasive Hand Pads	Q	28
Wurth	Abrasive Sheets	Q	26
Wurth	Abrasive, Edge Belt	Q	36
Wurth	Abrasive, Portable Belts	Q	34
Wurth	Abrasive, Wide Belts	Q	37, 39
Wurth	Allen Keys	U	38 - 39
Wurth	Assembly Screws	P	10 - 16
Wurth	Batteries	S	56
Wurth	Cleaners	S	21 - 22
Wurth	Cold Press Glues	R	17, 18
Wurth	Conformat Screws	P	35
Wurth	Contact Adhesives	R	25, 26, 30, 32, 33, 39
Wurth	Decorative Hardware Screws	A	142
Wurth	Decorative Hardware Screws	P	32 - 33
Wurth	Deodorizer	S	20
Wurth	Dolly	S	8
Wurth	Drill Bits	Y	20 - 21
Wurth	Drywall	P	24
Wurth	Drywall Anchors	P	51
Wurth	Dust Collectors	W	10 - 11
Wurth	Ear Protection	S	28



## MANUFACTURER INDEX (Listed in Alphabetical Order)

Manufacturer	Product Type	Section	Page(s)
Würth	Edgebanding Adhesives	R	44, 45
Würth	Euro Screws	P	34
Würth	Eye Protection	S	31 - 35
Würth	Face Frame Screws / Pocket Hole Screws	P	16 - 19
Würth	Face Mask	S	39, 41
Würth	Fastener Bits & Accessories	P	36 - 38
Würth	Fastener Bits & Accessories	U	54 - 57
Würth	Fill and Finish	R	57
Würth	Finish Nails	P	5
Würth	Finishing Washer	P	42
Würth	Furniture Pads	S	8
Würth	Gloves	S	42 - 46
Würth	Hand Cleaners	S	19
Würth	Hand Scraper	U	16
Würth	Hinge, Slide & Hardware Screws	P	25 - 31
Würth	Hole Saws	Y	28
Würth	Installation Screws	P	21 - 22
Würth	Jig Saw Blades	Y	24 - 25
Würth	Lubricants	S	23 - 24
Würth	Machinery	W	2 - 9
Würth	Micro Brads/Pins	P	6
Würth	Panel Spacer Insertion Gun	L	13
Würth	Panel Spacers	L	13
Würth	Pinner	V	25
Würth	Pitch & Resin Remover	Q	33
Würth	Pitch & Resin Remover	U	10

Manufacturer	Product Type	Section	Page(s)
Würth	Pliers / Cutters	U	76 - 84
Würth	Protective Clothing	S	51
Würth	Rags	S	16
Würth	Ratchets	U	58 - 59
Würth	Resin Remover	S	23
Würth	Safety Cabinet	S	14
Würth	Sanding Sponges	Q	29 - 30
Würth	Saw Blades	Y	28
Würth	Screwdrivers	U	40 - 53
Würth	Snips	U	85 - 86
Würth	Sockets	U	60 - 75
Würth	Solvents	R	2 - 7, 38
Würth	Specialty Glues	R	20
Würth	Staples	P	2 - 4
Würth	Tape Measures	U	19
Würth	Tapes	S	5 - 6
Würth	Tite-Joints	P	39
Würth	Trim Screws	P	23
Würth	Universal Absorbent	S	14
Würth	Utility Knife	U	14
Würth	Wood Glues	R	8, 10, 12, 13
Würth	Wrenches	U	28 - 37
Würth	Bumpers	I	21
Youngdale	Pin/Knife Hinges	C	48 - 49
Zipbolt	Tite-Joints	P	39

## KEYWORD INDEX (Listed in Alphabetical Order)

Keyword	Section	Page(s)
<b>A</b>		
Above Appliance Pull-Out	K	88
<b>ABRASIVES</b>		
Back Up Pads	Q	18 - 23
Discs	Q	2 - 15
Discs, 3M	Q	4, 10 - 13
Discs, Dynabrade	Q	8, 9, 15
Discs, Festool	Q	5
Discs, Surf Prep	Q	4, 13, 15
Discs, Wurth	Q	2, 3, 6, 7, 12, 14, 15
Edge Belts	Q	36
Finishing Discs	Q	10, 11
Finishing Pads	Q	29, 30
Foam	Q	25
Non-Woven Pads	Q	28
Portable Belts	Q	34, 35
Rolls	Q	32, 36
Sanding Stars	Q	17
Sheets	Q	26 - 28
Sponges	Q	29, 30
Wide Belts	Q	37 - 39
Absorbent, Universal	S	14
Acrylic Face Shield	S	36
Acrylic Latex Caulk	R	52, 53
Acrylic Shields	S	36
Acrylic Sinks	X	16
Adhesive Spray Gun	T	6, 16
<b>ADHESIVES</b>		
Bondo	R	59
Canister	R	32 - 36
Caulks	R	52, 53
Cleaners, Solvents & Removers	R	38
Construction	R	50, 51
Contact	R	25 - 36
Dowel Insertion Glue	R	16
Edgebanding	R	43 - 49
Hot-Melt Glue	R	23, 24
Laminating	R	25 - 36
Melamine	R	15, 16

Keyword	Section	Page(s)
Sealants	R	53, 54
Solid Surface	X	32, 36
Spray/Aerosol Contact Adhesiv	R	39 - 42
Two Part Glues	R	21
Wood Glues	R	8 - 16
Adjustable Table Legs	I	10, 11
Aerosol Contact Adhesives	R	39 - 42
Air Assist / Airless Spray Guns	T	9 - 12, 19
Air Filters, Spray Booth	T	31, 32
Air Hose	V	17, 27
Air Line Accessories	V	17, 26 - 28
Air Tool Fittings	V	26, 28
Air Tool Lubricant	V	28
Allen Keys	U	38 - 39
Aluminum Channels, LED Tape	J	32
Aluminum Oxide Abrasive Rolls	Q	32
Aluminum Oxide Discs	Q	2 - 10, 12, 14, 15
Aluminum Oxide Portable Belts	Q	34, 35
Aluminum Oxide Rolls	Q	32
Aluminum Oxide Sheets	Q	27
Aluminum Oxide Sponges	Q	29, 30
Aluminum Oxide Wide Belts	Q	37 - 39
Anchors, Drywall	P	51
Angled Finish Nails	P	5
Anti-Tip Interlock System	D	27
Appliance Garages, Omega National	K	46
Aprons	S	52
Assembly Gloves	S	43 - 50
ASSY® Screws, Assembly	P	15, 37
AvanTech YOU Drawer Systems	G	89 - 92
<b>B</b>		
Back Supports	S	54
Backsplash Fasteners	P	45
<b>BALL BEARING DRAWER SLIDES</b>		
King Slide	E	35
Knape & Vogt Hinged Door	E	32
Knape & Vogt Heavy Duty	E	23 - 30
Knape & Vogt Keyboard	E	31
Knape & Vogt Light Duty	E	13 - 14

## KEYWORD INDEX (Listed in Alphabetical Order)

Keyword	Section	Page(s)
Knape & Vogt Medium Duty	E	15 - 22
Knape & Vogt Speciality	E	33
PRO 2.0	E	8
PRO 100	E	10
PRO 100SC	E	11
PRO 150 File Drawer	E	12
PRO ECO	E	9
Sugatsune Stainless Steel	E	34 - 35
Ball Bearing Drawer Slides	E	8 - 30, 33 - 35
Ball Catches	D	55
Bandaging Tape	S	7
Banquet Table Folding Legs	I	9
Bar Bracket Corbels, Wood	L	10
Bar Clamps	U	4
Bar Pulls	A	6, 66, 67, 73, 88, 89
Bar Railing, Metal	O	60, 64
Barn Door Hardware	O	2 - 16
Barrel Hinges	C	40, 42
Baseplates, Blum	B	20 - 22
Baseplates, Grass	B	62 - 64, 76 - 79
Baseplates, Hettich	B	100, 101
Baseplates, PRO	B	3
Baseplates, Salice	B	125 - 129
Baseplates, Sugatsune	B	136
Bases, Table	I	11
Basket Liners	N	38, 39
Baskets, Closet	N	37, 45
Baskets, Hamper	N	40 - 42, 46, 47
Bath Hardware, Towel Bars	O	55
Batteries	S	56
Bed Hardware	O	36
Belt Racks	N	33, 35, 51
Belts, Portable Sanding	Q	34, 35
Belts, Wide Sanding	Q	37 - 39
Bi-Fold Door Hardware	O	17 - 19
Bins, Replacement Waste, Knape & Vogt	K	51
Bins, Replacement Waste, Rev-A-Shelf	K	149
Biscuit Joiner	V	29 - 31
Biscuits, Plastic and Wood	P	53

Keyword	Section	Page(s)
Bit Holders	P	37, 38
Bit, Blade, and Belt Cleaner	S	23
<b>BITS</b>		
Boring	Y	22, 23
Countersinks	Y	18, 19
Drill	Y	20, 21
Insert	P	36
Invectra	Y	3
Jointmaking	Y	18
Pilot	Y	5
Plunge	Y	4 - 7, 17
Profiling	Y	2
Rabbeting	Y	18
Router	Y	2 - 18
Solid Surface	Y	12 - 13
Spektra	Y	7
Trim	Y	3, 7 - 11, 13, 16, 17
Vix	Y	22
Bits and Accessories	U	54 - 57
Blades, Razor & Utility Knife	U	14
Blankets	S	8
Blanks, Drawer	G	2 - 4
Blind Corner Pull-Outs, Omega National	K	42
Blind Corner Pull-Outs, Rev-A-Shelf	K	101 - 107
Blind Corner Pull-Outs, Wurth/Vauth-Sagel	K	19 - 24
Blumotion Movento Drawer Slides	E	56 - 59
Blumotion Tandem Drawer Slides	E	40 - 41
Bommer Hinges	O	49 - 51
Bondo	R	59
Booties, Shoe Safety	S	53
Boring Bits	Y	22, 23
Bottom Mount, Knape & Vogt	K	49
Bottom Mount, PRO	K	2
Bottom Mount, Rev-A-Shelf	K	136 - 144
Bottom Mount, Wurth/Vauth-Sagel	K	4 - 9
Bow Pulls	A	10, 17, 28, 29
Bowl & Sink Router Bits	Y	12, 13
Braces, Corner	P	47

## KEYWORD INDEX (Listed in Alphabetical Order)

Keyword	Section	Page(s)
<b>BRACKETS</b>		
Closet with Rod Support	N	9, 10
Concealed	I	5, 6
Concealed	N	3, 5
Countertop	I	2 - 6
Countertop	N	2 - 8
Floating Shelf	I	7
Floating Shelf	N	11 - 13
Folding Shelf	N	8
Handrail	O	48, 49
Partition	O	57 - 59
Shelf	N	2 - 7
Toilet Door	O	57 - 59
Workstation	I	2 - 6
Workstation	N	2 - 7
Work Surface	I	2 - 6
Work Surface	N	2 - 7
Brad Nailers	V	25
Brad Nails	P	4
Brads, Micro	P	6
Brass Flanges	O	60
Brass Railing and Accessories	O	60 - 64
Breadboard Slides	K	48
Breadboards, Woodfold	K	48
Bread Drawer Insert	K	117
Breakaway Screws	P	32, 33
Brooms	S	15
Brushes	S	10
Bugle Head Screws	P	24
Bullet Catches	D	54
Bumpers	I	20 - 25
Bun Feet, Wood	L	2 - 11
Butcher Block Oil	X	29 - 30
Butcher Block Tops	X	29 - 30
Butt Hinges	C	50
By-Pass Door Lock	D	43
<b>C</b>		
Cabinet Armor	S	12
Cabinet Dollies	S	8
Cabinet Hanging Rails	N	22

Keyword	Section	Page(s)
Cabinet Hanging System, Z-Clips	P	50
Cabinet Legs	I	17
Cabinet Levelers: Metal & Plastic	I	13 - 17
<b>CABINET LOCKS</b>		
Accessories, CompX National	D	10, 11
Accessories, CompX Timberline	D	30, 31
Accessories, Olympus	D	39 - 41
Cam Lock Cylinder Bodies, CompX Timberline	D	17 - 19
Cam Lock Cylinder Bodies, Olympus	D	36
Cam Locks, CompX National	D	3, 4, 5, 7, 8
Cam Locks, Olympus	D	33, 34
Deadbolt Cylinder Bodies, CompX Timberline	D	20, 21
Deadbolt Cylinder Bodies, Olympus	D	37
Disc Tumbler Cam Locks, CompX National	D	3 - 5
Disc Tumbler Cams, CompX National	D	6
Disc Tumbler Deadbolt, CompX National	D	6
Disc Tumbler Gang Lock, CompX National	D	7
Disc Tumbler Keys, CompX National	D	10
Double Door Latch, CompX Timberline	D	22
Electronic Lock	D	13 - 15
Gang Lock Cylinder Bodies, CompX Timberline	D	23 - 25
Keyless, CompX National	D	14, 15
Keys, CompX National	D	10
Keys, CompX Timberline	D	30
Keys, Olympus	D	41
Magnetic Locks, Rev-A-Shelf	D	42
Pin Tumbler Cam Locks, CompX National	D	7, 8
Pin Tumbler Cam Locks, Olympus	D	34
Pin Tumbler Deadbolt Locks, CompX National	D	9
Pin Tumbler Deadbolt Locks, Olympus	D	35
Plugs, CompX National	D	3
Plugs, CompX Timberline	D	30
Push Knob Cabinet Locks	D	56
Showcase Locks	D	28, 29, 43, 44
SlamCAM, CompX National	D	12

## KEYWORD INDEX (Listed in Alphabetical Order)

Keyword	Section	Page(s)
SlamStrike, Compx National	D	12
Sliding Door Cylinder Bodies, Compx Timberline	D	28, 29
Sliding Glass Door, Compx Timberline	D	28, 29
Specialty, Compx National	D	42, 43
Specialty, Compx Timberline	D	44
Strikes, Compx National	D	11
Strikes, Olympus	D	40
Wardrobe Lock Cylinder Bodies, Compx Timberline	D	26
Cabinet Sliding Door Tracks	O	38 - 42
Cable Management	H	15
Cam Lock Cylinder Bodies, Compx Timberline	D	17 - 19
Cam Locks, Compx National	D	3, 4, 5, 7, 8
Canister Adhesives	R	32 - 36
Cans, Metal	S	13
Canvas Hampers	N	41, 42
Carton Tape	S	7
Casters	I	26 - 32
Catches: Ball, Bullet, Cupboard, Elbow, Friction & Roller	D	52 - 55
Catches, Magnetic	D	45 - 48
Catches, Tension	D	52
Caulk, Acrylic Latex	R	52, 53
Caulk, Adhesive	R	52, 53
Ceiling Hooks	O	48
Center Punch	U	25
Ceramic Discs	Q	10, 11
Ceramic Portable Belts	Q	34, 35, 38
Chain Bolts	O	53
Charging Drawer	K	129
Chef's Roll-Out Pantry	K	88
Chest Lock	D	42
Circular Saw Blades	Y	28 - 32
Citrus Cleaner	S	19, 21
<b>CLAMPS</b>		
Band	U	7
Bar	U	4
Edge	U	2
Face Frame	U	2

Keyword	Section	Page(s)
I-Beam	U	6
One-Handed	U	5
Pipe	U	3
Spring	U	2
Strap	U	7
Toggle	U	7
Cleaners	S	19, 21, 22
Cleaners, Hand	S	19
Cleaning Kits, Spray Gun	T	6, 17
Clip N Roll	S	9
Clips, Mirror	P	45
Clips, Panel Retaining	P	49
Closet Baskets	N	37, 45
Closet Brackets	N	9 - 10
Closet Extension Hangers	N	30
Closet Hampers	N	40 - 42, 46, 47
Closet Mirrors	N	46
Closet Rod	N	23 - 25, 27, 56
Closet Rod Supports	N	9, 10, 25, 27, 29
Closet Rods, Pull Down	N	36, 47
Closet Tubing	N	23 - 25, 27
Closet Tubing Flanges	N	24, 26, 28, 56
Closet Tubing, Expandable	N	30
Clothes Hampers	N	40 - 42, 46, 47
Clothes Racks	N	32, 54
Clothing Hooks	O	45 - 48
Cloud, Blind Corner Pull-Outs	K	101 - 102
Cold Press Glue	R	17 - 19
Columns, Wood	L	2 - 9
Compass Tool	U	17
Compost Waste Bin Pull-Outs	K	145
Compression Router Bits	Y	6, 7
Concealed Brackets	I	5, 6
Concealed Brackets	N	3, 5
Concealed Furniture Levelers	I	12
<b>CONCEALED HINGES</b>		
Blum Baseplates & Accessories	B	20 - 30
Blum Euro Hinges	B	6 - 13
Blum Euro Hinges, Specialty	B	14 - 19

## KEYWORD INDEX (Listed in Alphabetical Order)

Keyword	Section	Page(s)
Blum Face Frame Hinges	B	31 - 38
Blum Hinge Machines & Accessories	B	39-46
Grass Baseplates & Accessories, Nexis	B	76 - 82
Grass Baseplates & Accessories, Tiomos	B	62 - 68
Grass Euro Hinges, Nexis	B	69 - 72
Grass Euro Hinges, Nexis Specialty	B	73 - 75
Grass Euro Hinges, Tiomos	B	47 - 54
Grass Euro Hinges, Tiomos Specialty	B	55 - 61
Grass Face Frame Hinges	B	83 - 90
Grass Hinge Machine & Accessories	B	91 - 92
Hettich Baseplates & Accessories	B	100 - 102
Hettich Euro Hinges	B	93 - 99
Hettich Face Frame Hinges	B	103 - 104
PRO Euro Hinges	B	2 - 4
PRO Face Frame Hinges	B	5
Salice Baseplates & Accessories	B	125 - 131
Salice Euro Hinges	B	105 - 115
Salice Euro Hinges, Specialty	B	116 - 124
Salice Face Frame Hinges	B	132 - 135
Sugatsune Euro Hinges	B	136
Conformat Screws	P	35
Connecting Dowels	P	52
Connecting Screws	P	35
Construction Adhesives	R	50, 51
<b>CONTACT ADHESIVES</b>		
Aerosol	R	39 - 42
Cleaner and Remover	R	38
Flammable	R	25 - 29, 32 - 37
Non-Flammable	R	30 - 36
Solvent / Thinner	R	38
Water Based	R	30, 31
Continuous (Piano) Hinges	C	42
Contractor Saw, Saw Stop	W	18
Cookware Organizer Pull-Outs, Knape & Vogt	K	52
Cookware Organizer Pull-Outs, Rev-A-Shelf	K	96 - 97
Corbels, Wood	L	2 - 11
Corbels, Bar Bracket, Wood	L	10
Cordless Drills	V	2

Keyword	Section	Page(s)
Corner Braces	P	47
Corner Protectors	S	7
Countersinks	Y	18, 19
Countertop Brackets	I	2 - 6
Countertop Brackets	N	2 - 8
Countertop Supports	I	2 - 6
Countertop Supports	N	2 - 8
Cover Cap Tool	P	42
Cover Caps, Pocket Hole	P	43
Cover Caps, Screw	P	40 - 43
Coveralls	S	51, 53
Cross Cut File	U	8, 9
Cutting Boards, Door Mount	K	129
Cylinder Hinges	C	42
<b>D</b>		
Dado Clean-Out Router Bits	Y	8
Deadbolt Cylinder bodies, CompX Timberline	D	20, 21
<b>DECORATIVE HARDWARE</b>		
Bar Pulls	A	6, 66, 67, 73, 88, 89
Bow Pulls	A	10, 17, 28, 29
<b>Collections</b>		
Abernathy Series	A	80
Abstractions Series	A	80
Adiago Series	A	11
Advantage 1 Collection	A	12
Advantage 2 Collection	A	12
Advantage 3 Collection	A	12
Advantage Plus 2 Collection	A	13
Advantage Plus 4 Collection	A	14
Advantage Plus 5 Collection	A	15
Advantage Plus 6 Collection	A	15
Advantage Wire Pull Collection	A	16
Allison Series	A	80 - 84
Alto Collection	A	17
American Classics Collection	A	18
American Craftsman Collection	A	19
Andante Collection	A	19
Anniversary Series	A	85

## KEYWORD INDEX (Listed in Alphabetical Order)

Keyword	Section	Page(s)
Appalachia Collection	A	20
Appoint Series	A	86
Art Nouveau Collection	A	20
Ashby Series	A	87
Aspire Collection	A	21, 22
Atherly Series	A	87
Backplate Series	A	87
Bar Pull Series	A	88
Bar Pull Series, Appliance Pulls	A	89
Bar Pull Series, T-Pulls	A	89
Berenson Cup Pull Collection	A	23
Berenson Knob Collection	A	23
Blackrock Series	A	90
Blythe Series	A	91
Brass & Sterling Series	A	91
Bravo Collection	A	23, 24
Caliber Series	A	92
Candler Series	A	93
Carolyne Series	A	94
Carrione Series	A	94
Classic Series	A	7
Connections Collection	A	25
Conrad Series	A	95
Contemporary Advantage 1 Collection	A	26
Contemporary Advantage 2 Collection	A	27
Contemporary Advantage 3 Collection	A	28
Contemporary Advantage 4 Collection	A	29
Contemporary Advantage 5 Collection	A	30
Crawford Series	A	95
Creased Bow Series	A	96
Cup Pull Series	A	96
Cup Pull Series, Solid Brass	A	97
Cyprus Series	A	97
Davenport Series	A	98
Designers Group 10 Collection	A	31
Destine Series	A	99
Dierdra Collection	A	32
Divinity Series	A	99
Domestic Bliss Collection	A	33, 34
Echo Collection	A	34

Keyword	Section	Page(s)
Edge Pulls	A	5
Edge Pulls	A	135 - 137
Edge Pulls Series	A	100
Edona Series	A	100
Elevate Collection	A	35, 36, 37
Epoch Edge Collection	A	38, 39
Era Series	A	100
Esquire Series	A	101
Essential'z Series	A	101, 102
Euro Classica Collection	A	40
Euro Moderno Collection	A	40
Euro Rustica Collection	A	41
Euro Traditions Collection	A	41
Europa Collection	A	42
Exceed Series	A	103
Extensity Series	A	104
Factor Series	A	105
Fluidic Collection	A	42
Flush Pulls	A	138
Forgings Series	A	105
Forte Collection	A	43
Glacio Series	A	106
Granby Series	A	107
Harmony Collection	A	44
Harmony Series	A	107
Hearthstone Collection	A	45, 46
Highland Ridge Series	A	108
Hillcrest Collection	A	47
Hood Pull	A	139
Inspirations Series	A	109, 110
Kane Series	A	110
Kontur Series	A	111
Lattice Series	A	111
Laura Collection	A	48
Manor Series	A	112
Maestro Collection	A	49
Meadow Collection	A	50, 51
Metro Collection	A	52, 53
Mergence Series	A	113
Mod Series	A	2

## KEYWORD INDEX (Listed in Alphabetical Order)

Keyword	Section	Page(s)
Modern Square Series	A	5
Monument Series	A	114
Mulholland Series	A	115
Oasis Collection	A	54
Oberon Series	A	116
Opus Collection	A	55
Plastic Pulls	A	139
Preferred Series	A	3
Premier Series	A	9
Premise Series	A	116
Puritan Collection	A	56
Radius Series	A	117
Ravino Series	A	118
Recessed Pulls	A	138, 139
Reflections Series	A	118
Renown Series	A	119
Revitalize Series	A	120
Revolve Series	A	125
Rhapsody Collection	A	57
Rift Series	A	121
Riva Series	A	121
Rochdale Series	A	122
Sea Grass Series	A	122
Select Series	A	8
Skyline Collection	A	58
St. Vincent Series	A	123
Stainless Steel Collection	A	59
Stainless Steel Series	A	123
Stainless Steel Wire Pulls Series	A	134
Stature Series	A	124
Status Series	A	125
Steel Wire Pulls Series	A	10
Studio Collection	A	60
Subtle Surge Collection	A	61, 62
Surpass Series	A	126
Swagger Collection	A	63
Swirl'z Series	A	126
Tailored Traditions Collection	A	64, 65
Tempo Collection	A	66, 67
Traditional Advantage 1 Collection	A	68

Keyword	Section	Page(s)
Traditional Advantage 2 Collection	A	69
Traditional Advantage 3 Collection	A	70
Traditional Advantage 4 Collection	A	71
Traditional Series	A	127
Transitional Advantage 1 Collection	A	72
Transitional Advantage 2 Collection	A	73
Transitional Advantage 3 Collection	A	74
Transitions 2.0 Series	A	4
Uprise Series	A	127
Valencia Collection	A	75
Versa Series	A	128
Vested Interest Collection	A	76
Vibrato Collection	A	77
Village Collection	A	78
Ville Series	A	129
Wells Series	A	130
Westerly Series	A	130
Winsome Series	A	131
Zurich Collection	A	79
Display Board	A	143
Jigs	A	134, 140, 141
Screws	A	142
Square Pulls	A	5, 9, 26, 52, 53, 114
Wire Pulls	A	10, 16, 79, 84, 134
Demountable Hinges	C	45
Deodorizers and Disinfecting Wipes	S	20
Desk Top Fasteners	P	46
Digital Thermometer	S	54
Discs, Sanding	Q	2 - 15
Disc Tumbler Cam Locks, CompX National	D	3 - 5
Disc Tumbler Cams, CompX National	D	6
Disc Tumbler Deadbolt, CompX National	D	6
Disc Tumbler Gang Lock, CompX National	D	7
Disc Tumbler Keys, CompX National	D	10
Disinfectant Spray	S	21
Disinfecting Wipes	S	20
Dispenser, Toilet Tissue	S	15
Dispenser, Towel Roll	S	15



## KEYWORD INDEX (Listed in Alphabetical Order)

Keyword	Section	Page(s)
Disposable Booties	S	53
Dog Bones	P	39
Dollies	S	8
Door Bolts	O	53
Door Hardware, Sliding & By Pass	O	20 - 29
Door Hinge, Concealed	C	44
Door Inserts, Lattice Style	L	11
Door Inserts, Louver Style	L	11
Door Latches	O	51
Door Latches, Toilet Door	O	57, 59
Door Mount Cutting Boards, Rev-A-Shelf	K	129
Door Mount Spice Racks, Rev-A-Shelf	K	132 - 133
Door Mount Storage Trays, Rev-A-Shelf	K	130 - 131
Door Panel Kits	L	11
Door Pulls, Sliding Door	O	43, 44
Door Stops	O	52
Doors, Tambour	L	15, 16
Double Demountable Hinges	C	45
Double Door Latch, Compx Timberline	D	22
Double Door Latch, Compx Timberline	D	44
Dowel Insertion Glue	R	16
Dowel Pins	P	52
Dowel Rods	P	52
Downdraft Tables	W	12, 13
Dowel, Connecting	P	52
Drawer Blanks, Vinyl & Wood	G	2 - 4
Drawer Bumpers	E	99
<b>DRAWER BOXES</b>		
Charging, Rev-A-Shelf	K	129
Maxx Drawer, Rev-A-Shelf	K	123
Tiered, Rev-A-Shelf	K	124 - 127
With Cutting Board & Knife Block, Rev-A-Shelf	K	128
With Cutting Board & Knife Block, Woodfold	K	48
Drawer Front, Adjusters	E	104, 106
<b>DRAWER INSERTS</b>		
Combination, Rev-A-Shelf	K	119
Cutlery, Rev-A-Shelf	K	117 - 120
Deep Drawer Organizer, Omega National	K	43

Keyword	Section	Page(s)
Felt Silverware Kit, Wood Technology	K	56
Jewelry Trays	N	43
K-Cup, Rev-A-Shelf	K	118
Knife, Rev-A-Shelf	K	118 - 120
Organizer	K	43
Peg Organizers, Rev-A-Shelf	K	121 - 122
Spice Trays, Omega National	K	43
Spice Trays, Rev-A-Shelf	K	117, 118, 120
Universal Drawer Insert Kit, Omega National	K	43
Utensil, Rev-A-Shelf	K	118, 120
Drawer Lock	D	42
Drawer Organizers, Jewelry	N	43
Drawer Pushers	E	105
Drawer Slide Spacers	E	98 - 99
<b>DRAWER SLIDES</b>		
Blum Undermount Slides	E	40 - 41, 56 - 59
Grass Epoxy/Euro Slides	E	3 - 5
Grass Undermount Slides	E	68, 74 - 77
Hettich Undermount Slides	E	78, 82, 86
King Slide Ball Bearing Slides	E	35
King Slide Undermount Slides	E	87
Knape & Vogt Ball Bearing Slides	E	13 - 30, 33
Knape & Vogt Epoxy/Euro Slides	E	6
Knape & Vogt Hinged Door Slides	E	32
Knape & Vogt Keyboard Slides	E	31
Knape & Vogt Undermount Slides	E	88 - 90
PRO Ball Bearing Slides	E	8 - 12
PRO Epoxy/Euro Slides	E	2
PRO Undermount Slides	E	36 - 39
Salice Epoxy/Euro Slides	E	7
Salice Undermount Slides	E	91 - 93
Sugatsune Stainless Steel Ball Bearing Slides	E	34 - 35
Drawer Systems, AvanTech YOU	G	89 - 92
Drawer Systems, Legrabox	G	11 - 25
Drawer Systems, Metabox	G	46 - 52
Drawer Systems, Nova Pro	G	62, 63
Drawer Systems, Nova Pro Scala	G	64 - 74
Drawer Systems, PRO 2000	G	5 - 10

## KEYWORD INDEX (Listed in Alphabetical Order)

Keyword	Section	Page(s)
Drawer Systems, Tandembox	G	26 - 45
Drawer Systems, Vionaro	G	53 - 61
Drawer Systems, Zargen	G	75 - 85
Drawer Systems, Zbox	G	86 - 88
Drawer Pull-Outs, Rev-A-Shelf	K	95
Drill Bits	Y	20, 21
Drip Trays, Under Sink, Rev-A-Shelf	K	113
Drive Bits	P	36, 37
Drop Leaf Hinges	I	8
Drop Leaf Supports	I	8
Dry Spray Lubricants	S	23, 24
Drying Racks	S	9
Drywall Anchors	P	51
Drywall Screws	P	24
D-Shaped Lazy Susans, Rev-A-Shelf	K	156 - 158
Dual Purpose Files	U	8, 9
Duct Tape	S	6
Dust Collectors	W	10, 11
Dust Extractors	V	33 - 40
Dust Masks	S	39
Dynapro 2.0 Undermount Drawer Slides	E	68
<b>E</b>		
Ear Muffs	S	29
Ear Plugs	S	28
Ear Protection	S	28, 29
Edge Rollers	U	12
Edge Trimmers	U	13
Edgebander, Portable	W	2, 3
<b>EDGEBANDING</b>		
Adhesives, Cartridges	R	43, 44
Adhesives, Pellets	R	44 - 48
Conturo Edgebanding System	M	2, 3
Hand Tools	M	18
Primer	R	49
Power Tool	M	2, 3
PVC	M	4, 6, 17
Trimmers	M	18
Wood	M	7 - 9, 14 - 16
Elbow Catches	D	54 - 55
Electrical Tape	S	5

Keyword	Section	Page(s)
Electronic Lock	D	13 - 15
Elite Plus Undermount Drawer Slides	E	76
Empty Paint Cans	S	13
Enclosed Wheel Sheaves	O	37
<b>EPOXY DRAWER SLIDES</b>		
Grass 6600/6610	E	3 - 4
Knappe & Vogt 1805	E	6
PRO 50	E	2
Salice Adar 208	E	7
<b>EURO STYLE CONCEALED HINGES</b>		
Blum Baseplates & Accessories	B	20 - 30
Blum Euro Hinges	B	6 - 13
Blum Euro Hinges, Specialty	B	14 - 19
Blum Face Frame Hinges	B	31 - 38
Blum Hinge Machines & Accessories	B	39-46
Grass Baseplates & Accessories, Nexis	B	76 - 82
Grass Baseplates & Accessories, Tiomos	B	62 - 68
Grass Euro Hinges, Nexis	B	69 - 72
Grass Euro Hinges, Nexis Specialty	B	73 - 75
Grass Euro Hinges, Tiomos	B	47 - 54
Grass Euro Hinges, Tiomos Specialty	B	55 - 61
Grass Face Frame Hinges	B	83 - 90
Grass Hinge Machine & Accessories	B	91 - 92
Hettich Baseplates & Accessories	B	100 - 102
Hettich Euro Hinges	B	93 - 99
Hettich Face Frame Hinges	B	103 - 104
PRO Euro Hinges	B	2 - 4
PRO Face Frame Hinges	B	5
Salice Baseplates & Accessories	B	125 - 131
Salice Euro Hinges	B	105 - 115
Salice Euro Hinges, Specialty	B	116 - 124
Salice Face Frame Hinges	B	132 - 135
Sugatsune Euro Hinges	B	136
Extension Cords	S	56
Extension Cords, LED Lights	J	63
Extension Rollers	U	12
Eye Protection	S	30 - 35
<b>F</b>		
Face Frame Clamps	U	2
Face Frame, Blum Concealed Hinges	B	31 - 38

## KEYWORD INDEX (Listed in Alphabetical Order)

Keyword	Section	Page(s)
Face Frame, Grass Concealed Hinges	B	83 - 90
Face Frame, Hettich Concealed Hinges	B	103 - 104
Face Frame, PRO Concealed Hinges	B	5
Face Frame, Salice Concealed Hinges	B	132 - 135
Face Frame, Hinge Screws	P	25 - 31
Face Mount Hinges	C	46
False Front Clips, Tip-Out Tray	K	57
Fastcap Third Hand System	U	24
Fastcaps	P	40 - 44
<b>FASTENERS</b>		
Assembly Screws	P	10 - 16
Backsplash	P	45
Brad Nails	P	4
Confirmat Screws	P	35
Connecting Screws	P	35
Corrugated	P	7
Desk Top	P	46
Drywall Screws	P	24
Euro Screws	P	34
Finish Nails	P	5
Hinge, Slides & Hardware Screws	P	25 - 31
Installation Screws	P	21 - 23
Machine Screws	P	32 - 33
Micro Brads	P	6
Mirror Clips	P	45
Panel Retainers	P	49
Pocket Hole Screws	P	17 - 19
Staples	P	2 - 3
Tite-Joint Fasteners	P	38, 39
Wall Anchors	P	51
Faucets	X	22, 23
Feet, Bun	L	2 - 11
Felt Silverware Kit	K	56
Festool Abrasives	Q	5
Fiberglass Reinforced Wall Panels	X	42
File Drawer Frame Systems	E	100 - 102
File Rail Brackets	E	102 - 103
File Rail Systems	E	102 - 103
Files, Laminate	U	8, 9
Fillers, Wood	R	55 - 59

Keyword	Section	Page(s)
Filters, Respirator Face Mask	S	37, 38
Filters, Spray Booth	T	31, 32
Finish Nails	P	5
Finish Strainer	S	11
Finishing Clips	S	12
Finishing Washers	P	42
First Aid Kits	S	55
Fittings, Keku	P	48
Five Knuckle Hinges	C	38, 39
Fixed Table/Countertop Supports	I	2 - 6
Flanges, Brass	O	60
Flanges, Closet Tubing	N	24, 26, 28, 56
Flap Hinges	C	52
Flashlights	S	56
Flat Iron Braces	P	46
Floating Shelf Brackets	N	11, 12
Floating Shelves	N	13
Floor Paper, Spray Booth	T	30
Fluid Hoses	T	23
Flush Cut Trimmers	U	11
Foam Abrasive Discs	Q	14, 15
Foam Brushes	S	10
Foam Tape (Double Sided)	S	5
Folding Leg Brackets	I	9
Folding Shelf Brackets	N	8
Folding Supports, Drop Leaf	I	8
Folding Table Legs	I	9
Foot Rail Kits	O	64
Foot Railing	O	60
FreeDim, Remote Control Dimmers	J	57 - 60
Friction Catches	D	53 - 54
FRL (Fiber Reinforced Laminate)	X	43
<b>FRONT LOCKING DEVICES FOR UNDERMOUNT SLIDES</b>		
Blum Movento	E	61
Blum Tandem	E	42 - 43
Grass Dynapro 2.0	E	69 - 70
Grass Elite Plus	E	76
Grass Maxcess	E	77
Hettich Quadro 4D V6	E	83
Hettich Quadro V6	E	79 - 80

## KEYWORD INDEX (Listed in Alphabetical Order)

Keyword	Section	Page(s)
Hettich Quadro V6+	E	86
King Slide	E	87
Knape & Vogt G-Slide	E	90
Knape & Vogt MUV+	E	88
Knape & Vogt Samet	E	89
PRO 500	E	36
PRO 600	E	38 - 39
PRO ECO	E	37
Salice F70	E	94
Salice Futura	E	91
FRP (Fiberglass Reinforced Plastic)	X	42
Full Circle Shaped Lazy Susans, Knape & Vogt	K	55
Full Circle Shaped Lazy Susans, Omega National	K	41
Full Circle Shaped Lazy Susans, Rev-A-Shelf	K	150 - 155
Full Circle Shaped Lazy Susans, Wurth/Vauth-Sagel	K	25 - 26
Full Inset Hinges	C	47
Furniture Blankets	S	8
Furniture Dollies	S	8
Furniture Levelers, Concealed	I	12
Furniture Levelers, Metal	I	12
Futura Undermount Drawer Slides	E	91
<b>G</b>		
Game Table Folding Legs	I	9
Gang Lock Cylinder Bodies, Compx Timberline	D	23 - 25
Garment Racks	N	32, 54
Gate Door Hinges	O	49, 50
Glass Cleaner	S	21
Glass Door Hinges	C	51
Glass Door Locks	D	28 - 29
Glass Door Track	O	38 - 42
Glass Retaining Clips	P	49
Glass Shelf Supports	N	21
Glasses, Safety	S	30 - 34
Glide Strips	I	20
Glides, Nail on	I	20
Glides, Non Swivel	I	19

Keyword	Section	Page(s)
Glides, Strips	I	20
Glides, Swivel	I	18
Glideware Pull-Outs, Rev-A-Shelf	K	99 - 100
Gloves, Disposable	S	42
Gloves, Reusable	S	43 - 50
<b>GLUE</b>		
Adhesive Caulks	R	52, 53
Aerosol Contact Adhesives	R	39 - 42
Applicators	R	22
Bottle and Caps	R	22
Canister Adhesive	R	32 - 36
Cold Press	R	17 - 19
Construction	R	50, 51
Contact Adhesive	R	25 - 36
Dowel Insertion	R	16
Edgebanding Adhesives	R	43 - 49
Hot-Melt	R	23, 24
Laminating Adhesive	R	25 - 36
Melamine	R	15
Nip & Stack	R	17 - 19
Polyurethane	R	20
Solid Surface	X	32, 36
Two Part	R	20, 21
Water Proof	R	12
Water Resistant	R	10, 11
White	R	13, 14
Yellow	R	8, 9
Goggles	S	34, 35
Graphite Rolls	Q	36
Gravity Spray Guns	T	3, 4, 13, 14, 27, 28
Grills, Wire	L	12
Grommets, Metal	H	9
Grommets, Oval	H	10
Grommets, Plastic	H	5 - 8
Grommets, Specialty	H	13 - 14
Grommets, Trash	H	11 - 12
Grommets, Ventilation	H	12 - 13
<b>H</b>		
Half Moon Lazy Susans	K	168

## KEYWORD INDEX (Listed in Alphabetical Order)

Keyword	Section	Page(s)
Hammers	U	25
Hampers, Pull-Out	N	41, 42
Hampers, Tilt-Out	N	40, 46
Hand Cleaner	S	19
Hand Sanitizer, Lemyn	S	18
Hand Scraper	U	16
Hand Towel Roll and Dispenser	S	15
Hand Wipes	S	19, 20
<b>HANDLES</b>		
Handles, Amerock	A	80 - 131
Handles, Berenson	A	11 - 79
Handles, PRO	A	2 - 10
Handrail Brackets	O	48, 49
Hanger, Extension	N	30
Hanging File Systems	E	102 - 103
Hanging Finishing Clips	S	12
Hanging Rail, Closet and Cabinet	N	22
Hidden Door Hinge Kit	O	36
Hinge Baseplates, Blum	B	20 - 22
Hinge Baseplates, Grass	B	62 - 64, 76 -79
Hinge Baseplates, Hettich	B	100, 101
Hinge Baseplates, PRO	B	3
Hinge Baseplates, Salice	B	125 - 129
Hinge Baseplates, Sugatsune	B	136
Hinge Boring Bits	Y	23
<b>HINGES</b>		
Barrel	C	40, 42
Blum Euro Hinges	B	6 - 13
Blum Euro Hinges, Specialty	B	14 - 19
Blum Face Frame Hinges	B	31 - 38
Bommer	O	49 - 51
Butt	C	50
Grass Euro Hinges, Nexis	B	69 - 72
Grass Euro Hinges, Nexis Specialty	B	73 - 75
Grass Euro Hinges, Tiomos	B	47 - 54
Grass Euro Hinges, Tiomos Specialty	B	55 - 61
Grass Face Frame Hinges	B	83 - 90
Hettich Euro Hinges	B	93 - 99
Hettich Face Frame Hinges	B	103 - 104
PRO Euro Hinges	B	2 - 4

Keyword	Section	Page(s)
PRO Face Frame Hinges	B	5
Salice Euro Hinges	B	105 - 115
Salice Euro Hinges, Specialty	B	116 - 124
Salice Face Frame Hinges	B	132 - 135
Sugatsune Euro Hinges	B	136
Continuous (Piano)	C	42
Cylinder	C	42
Demountable, Single/Double	C	45
Double Acting Spring	O	49, 50
Drop Leaf	I	8
Face Mount	C	46
Five Knuckle	C	38, 39
Flap	C	52
Full Inset	C	47
Gate Door	O	50
Glass Door	C	51
Hidden Door Kit	O	36
Inset	C	47
Institutional	C	38 - 41
Invisible	C	43
Knife	C	48, 49
Louver Door	O	51
Mortise Toilet Door	O	59
Partial Wrap	C	45
Piano	C	42
Pin	C	48, 49
Pivot	C	50
Single Acting Spring	O	51
SOSS	C	42, 43
Toilet Door	O	59
Youngdale	C	48, 49
Holders, Bit	P	37, 38
Holders, Insert Bits	P	36
Hole Saws	Y	28
Hooks	N	56
Hooks	O	45 - 48
Hoses, Spray Equipment	T	7, 12, 23
Hot-Melt Adhesives	R	23, 24
Hot-Melt Applicators	R	23, 24
Hot-Melt Edgebanding Cartridges	R	43, 44

## KEYWORD INDEX (Listed in Alphabetical Order)

Keyword	Section	Page(s)
Hot-Melt Edgebanding Pellets	R	44 - 48
HPL (High Pressure Laminate Sheets)	X	34, 37 - 40
<b>I</b>		
Index Followers and Tracks	E	105
Industrial Cabinet Saw, Saw Stop	W	23
Infinex, Aluminum Channels	J	31 - 34
Inserts, Jewelry Drawer	N	43
Inserts, Panel Spaceballs	L	13
Inset Hinge	C	47
Inside Drawer Outlets	K	35 - 37
Inspection Lighting	V	22
Instant Glue, Two Part Super Glue	R	21
Institutional Hinges	C	38 - 41
Interlocking Panel Hardware	P	50
Invisible Cylinder Hinges	C	42
Iron Holder	N	47
Ironing Board Cabinets	K	59 - 60
Ironing Board, Pop-Up	N	49
Ironing Board, Pull-Outs, Rev-A-Shelf	K	180
Ironing Board, Rotating	N	48
Ironing Board, Swivel	N	50
<b>J</b>		
J Moldings	L	16
J Rollers	U	12
Jacknob Hardware	O	56 - 59
Jewelry Drawer Inserts	N	43
Jigs, Decorative Hardware	A	134, 140, 141
Jigs, Kreg	U	20 - 22
Jigs, LED Lighting	J	68
Jigs, True Position	U	23
Jigsaw Blades	Y	24 - 27
Jigsaws	V	6
Jobsite Saw, Saw Stop	W	19
Joiners	V	29 - 31
Joint Fasteners	P	38, 39
<b>K</b>		
Keku Fittings	P	48
Keyboard, Tray Pull Outs	H	16
Keyhole Plates	P	45
Keyless, Compx National	D	14, 15

Keyword	Section	Page(s)
Keyless, Compx Timberline	D	13
Keys, Compx National	D	10
Keys, Compx Timberline	D	30
Keys, Olympus	D	41
Kidney Shaped Lazy Susans, Knappe & Vogt	K	54
Kidney Shaped Lazy Susans, Omega National	K	41
Kidney Shaped Lazy Susans, Rev-A-Shelf	K	159 - 164
Kidney Shaped Lazy Susans, Wurth/Vauth-Sagel	K	25 - 26
Kitchen and Bath Adhesive Caulk	R	52
Knee Pads	S	54
Knife Hinges	C	48, 49
Knives, Putty	U	16
Knives, Utility	U	14, 15
Knappe & Vogt 8400 Ball Bearing Drawer Slides	E	15
<b>KNOBS</b>		
Knobs, Amerock	A	80 - 131
Knobs, Berenson	A	11 - 79
Knobs, PRO	A	2 - 10
Knuckle Bender	U	20
Kolbe Korner	E	104
<b>L</b>		
L Moldings	L	16
Label Holders	E	105
Ladder Hardware, Rolling	O	30 - 35
Lami Lube	S	23
<b>LAMINATE</b>		
Edgebanding Trimmers	M	18
Files	U	8, 9
Matching Caulks	R	52, 53
Matching Repairer	R	60
Rollers	U	12
Sheets	X	34, 37 - 40
Trimmers	U	11
Latches	D	49 - 52
Lattice Door Inserts	L	11
<b>LAZY SUSANS</b>		
Bearings, Rev-A-Shelf	K	169

## KEYWORD INDEX (Listed in Alphabetical Order)

Keyword	Section	Page(s)
Bearings, Triangle	K	56
Chrome Wire	K	158, 165
D-Shaped, Rev-A-Shelf	K	156 - 158
Full Circle Shaped, Knape & Vogt	K	55
Full Circle Shaped, Omega National	K	41
Full Circle Shaped, Rev-A-Shelf	K	150 - 155
Full Circle Shaped, Wurth/Vauth-Sagel	K	25 - 26
Half Moon, Rev-A-Shelf	K	168
Kidney Shaped, Knape & Vogt	K	54
Kidney Shaped, Omega National	K	41
Kidney Shaped, Rev-A-Shelf	K	159 - 164
Kidney Shaped, Wurth/Vauth-Sagel	K	25 - 26
Not-So-Lazy Susans, Rev-A-Shelf	K	164
Pie Cut Shaped, Knape & Vogt	K	55
Pie Cut Shaped, Omega National	K	41
Pie Cut Shaped, Rev-A-Shelf	K	165 - 167
<b>LED LIGHTING &amp; ACCESSORIES</b>		
Aluminum Channels	J	32
AMP Connectors	J	64
Barrel Connectors	J	64
Controllers/Receivers, Tresco CCT & COB & RGB	J	22 - 24
Dimmer Switches, PRO	J	14 - 15
Dimmer Switches, Tresco	J	57 - 62
Displays	J	67
Extension Cords	J	63
FreeDim	J	57 - 60
Infinex	J	31 - 34
Installation Accessories	J	64
LED Lights, PRO Pucks	J	12 - 13
LED Lights, PRO Sticks	J	10 - 11
LED Lights, PRO Tape	J	2 - 9
LED Lights, Tresco Lazy Susan Kit	J	46
LED Lights, Tresco Linear	J	26 - 30, 40 - 42
LED Lights, Tresco Panel	J	65
LED Lights, Tresco Pucks	J	43 - 45, 66
LED Lights, Tresco Pucks, CCT	J	22
LED Lights, Tresco Tape	J	35 - 39
LED Lights, Tresco Tape, CCT & COB & RGB	J	16 - 21

Keyword	Section	Page(s)
Jigs	J	68
ON/OFF Switches, PRO	J	15
ON/OFF Switches, Tresco	J	63
Plastic Channels for Wire Management	J	64
Power Supplies, PRO	J	14 - 15
Power Supplies, Tresco	J	47 - 51
Remote Control Dimmers	J	59, 62
Snap LED Panel Lights, Tresco	J	65
Swidget, Tresco	J	52 - 55
Terminal Blocks	J	51
Touch Dimmers	J	61
USB Port	J	63
Wall Dimmers, PRO	J	14
Wall Dimmers, Tresco	J	52 - 56
Wall Outlets, Tresco	J	52 - 55
Wireless Dimmers, Tresco FreeDim	J	57 - 59
Wireless Door Sensor, Tresco FreeDim	J	60
Leg Brackets, Folding	I	9
Legrabox Drawer Systems	G	11 - 25
Legs, Cabinet	I	17
Legs, Table	I	10 - 11
Lemyn Hand Sanitizer	S	18
Levelers, Cabinet	I	13 - 17
Levelers, Furniture	I	12
Leveling Glides	I	18 - 19
Leveling Wedge	I	17
Lift Systems, Blum	C	2 - 10
Lift Systems, Blum Accessories	C	11 - 14
Lift Systems, Blum Assembly Aids	C	20, 21
Lift Systems, Blum Servo-Drive	C	15 - 19
Lift Systems, Grass	C	22 - 28
Lift Systems, PRO Value Series	C	31, 32
Lift Systems, Salice	C	29, 30
Lift Systems, Sugatsune	C	33 - 37
Line Boring Machine	W	5
Liners, Basket	N	38, 39
Liners, Tank	T	8, 18
<b>LOCKS</b>		
Accessories, CompX National	D	10, 11
Accessories, CompX Timberline	D	30, 31

## KEYWORD INDEX (Listed in Alphabetical Order)

Keyword	Section	Page(s)
Accessories, CompX Olympus	D	39 - 41
Cam Lock Cylinder Bodies, CompX Timberline	D	17 - 19
Cam Lock Cylinder Bodies, Olympus	D	36
Cam Locks, CompX National	D	3, 4, 5, 7, 8
Cam Locks, CompX Olympus	D	33, 34
Deadbolt Cylinder Bodies, CompX Timberline	D	20, 21
Deadbolt Cylinder Bodies, Olympus	D	37
Disc Tumbler Cam Locks, CompX National	D	3 - 5
Disc Tumbler Cams, CompX National	D	6
Disc Tumbler Deadbolt, CompX National	D	6
Disc Tumbler Gang Lock, CompX National	D	7
Disc Tumbler Keys, CompX National	D	10
Double Door Latch, CompX Timberline	D	22
Electronic Lock	D	13 - 15
Gang Lock Cylinder Bodies, CompX Timberline	D	23 - 25
Keyless, CompX National	D	14, 15
Keyless, CompX Timberline	D	13
Keys, CompX National	D	10
Keys, CompX Timberline	D	30
Keys, Olympus	D	41
Magnetic Locks, Rev-A-Shelf	D	42
Pin Tumbler Cam Locks, CompX National	D	7, 8
Pin Tumbler Cam Locks, Olympus	D	34
Pin Tumbler Deadbolt Locks, CompX National	D	9
Pin Tumbler Deadbolt Locks, Olympus	D	35
Plugs, CompX Timberline	D	30
Push Knob Cabinet Locks	D	56
Showcase Locks	D	28, 29, 43, 44
SlamCAM, CompX National	D	12
SlamStrike, CompX National	D	12
Sliding Door Cylinder Bodies, CompX Timberline	D	28, 29
Sliding Glass Door, CompX Timberline	D	28, 29
Specialty, CompX National	D	42, 43
Specialty, CompX Timberline	D	44

Keyword	Section	Page(s)
Strikes, CompX National	D	11
Strikes, Olympus	D	40
Wardrobe Lock Cylinder Bodies, CompX Timberline	D	26
Louver Door Hinges	O	51
Louver Door Panel Kits	L	11
Lubricants	S	23 - 25
<b>M</b>		
Machine Screws	P	32, 33
<b>MACHINES</b>		
Contractor Saw, Saw Stop	W	18
Downdraft Tables	W	12, 13
Dust Collectors	W	10, 11
Edgebander, Portable	W	2, 3
Hinge Machine, Blum	B	39 - 46
Hinge Machine, Grass	B	91 - 92
Industrial Cabinet Saw, Saw Stop	W	23
Jobsite Saw, Saw Stop	W	19
Line Boring Machine	W	5
Panel Saws	W	8
Pocket Hole Machines	W	9, 14
Professional Cabinet Saw, Saw Stop	W	20, 21
Saw Stop Accessories	W	24
Slitter, Manual	W	4
Magnetic Bit Holders	P	37, 38
Magnetic Catches	D	45 - 48
Magnetic Locks, Rev-A-Shelf	D	42
Mallets	U	25
Masking Paper	S	12
Masking Tape	S	2, 3
Masks, Dust	S	39
Maxx Drawer	K	123
Measuring Tapes	U	18, 19
Melamine Glue	R	16
Mending Plates	P	46
Metabox Drawer Systems	G	46 - 52
Metal Drawers	G	5 - 92
Metal Table Legs	I	10 - 11
Micro Brads	P	6
Micro Pinners	V	24, 25



## KEYWORD INDEX (Listed in Alphabetical Order)

Keyword	Section	Page(s)
Micro Pins	P	6
Micron Discs	Q	11
Mirror Clips	P	45
Mirrors, Closet	N	46
Miter Saw Blades	Y	31
Miter Saws	W	7
Mixer Lift, Base Cabinet, Knape & Vogt	K	52
Mixer Lift, Base Cabinet, Rev-A-Shelf	K	111 - 112
Mixing Cups	S	13
Modesty Panel Brackets	K	57
Molding & Trim Glue	R	19
Mortise Hinge, Toilet Door	O	59
Movento Undermount Drawer Slides	E	56 - 59
Moving Blankets	S	8
Mushroom Knobs	A	10, 13, 29, 68, 71, 81, 82, 100
MUV+ Undermount Drawer Slides	E	88
<b>N</b>		
Nailers, Brad	V	25
Nail-On Glides	I	20
Nail Set	U	25
Nails, Angle Finish	P	5
Nails, Brad	P	4
Nails, Finish	P	5
Nitrile Coated Gloves	S	42
Nitrile Gloves	S	42
Non-Magnetic Touch Latches	D	49, 51, 52
Non-Swivel Glides	I	19
Not-So-Lazy Susan	K	164
Nova Pro Drawer Systems	G	62, 63
Nova Pro Scala Drawer Systems	G	64 - 74
<b>O</b>		
Open Wheel Sheaves	O	37
Orbital Sanders	V	7 - 11, 15, 17, 20, 21
Organizer Pull-Outs, Base & Wall Cabinet, Rev-A-Shelf	K	62 - 80
Organizer Pull-Outs, Base & Wall Cabinet, Würth/Vauth-Sagel	K	14 - 18
Oval Closet Flanges	N	28

Keyword	Section	Page(s)
Oval Closet Tubing	N	27
Oval Grommets	H	10
<b>P</b>		
Packing Tape	S	7
Pad, Staining	S	11
Padlockable Cam Lock, Olympus	D	33
Paint Brushes, Rollers & Trays	S	10
Paint Strainers	S	11
Painters Caulk	R	52, 53
Painters Tape	S	4
Panel Assembly Hardware	P	48
Panel Carrier	W	6
Panel Cart	S	8
Panel Clips	P	49
Panel Hanging System, Z-Clips	P	50
Panel Pilot Router Bits	Y	5
Panel Retaining Clips	P	49
Panel Saws	W	8
Panel Spacers	L	13
Pantry, Lazy Susan System, Rev-A-Shelf	K	87 - 88
Pantry Pull-Outs, Rev-A-Shelf	K	81 - 86, 89, 90
Pantry Pull-Outs, Würth/Vauth-Sagel	K	27 - 31
Pants Racks	N	32, 54
Paper Slot Grommets	H	13 - 14
Paper Towels	S	15
Partial Wrap Hinges	C	45
Partition Hardware	O	56 - 59
Passage Door Hardware	O	51 - 54
Peel Off Coatings, Spray Booth	T	30
Peg Drawer Organizer	K	121 - 122
Pencil Drawer Pull Outs	H	16
Pendaflex Brackets	E	102
Pendaflex Rail	E	102
Phillips Drive Bits	P	36
Piano Hinges	C	42
Pilaster Drawer Pull-Outs, Rev-A-Shelf	K	92 - 93
Pilasters & Clips	F	3, 16 - 18
Pilot Router Bits	Y	5
Pin Hinges	C	48, 49
Pin Tumbler Cam Locks, CompX National	D	7, 8

## KEYWORD INDEX (Listed in Alphabetical Order)

Keyword	Section	Page(s)
Pin Tumbler Cam Locks, Olympus	D	34
Pin Tumbler Deadbolt Locks, CompX National	D	9
Pinners	V	24, 25
Pins, Dowel	P	52
Pins, Micro	P	6
Pitch and Resin Remover	S	23
Pitch and Resin Remover	U	10
Pivot Hinges	C	50
Plasti Cut Files	U	8
Plate Display Rack, Omega National	K	46
Plates, Keyhole	P	45
Plates, Mending	P	46
Pliers and Cutters	U	76 - 84
Pin Tumbler Deadbolt Locks, Olympus	D	35
Plugs, CompX Timberline	D	30
Plugs, Ear	S	28
Plunge Router Bits	Y	4 - 7, 17
Pocket Awl	U	17
Pocket Door Slides	E	107 - 110
Pocket Hole, Cover Caps	P	43
Pocket Hole Machines	W	9, 14
Pocket Hole Screws	P	17 - 19
Pocket Pull Saw, Folding	U	15
Polybak, Dry Erase & Tackable Panels	X	44
Polyurethane Glues	R	20, 24
Portable Sanding Belts	Q	34, 35
Pot & Pan Organizer, Knape & Vogt	K	52
Pot & Pan Organizer, Rev-A-Shelf	K	96 - 97
Pozidrive Bits	P	36
Pre-Fab Toe Kicks	K	58
Pressure Rollers	U	12
Pressure Spray Guns	T	2, 5, 15, 27
Pressure Tanks	T	8, 16, 18
PRO 2.0 Ball Bearing Drawer Slides	E	8
PRO 50 Epoxy Drawer Slides	E	2
PRO 100 Ball Bearing Drawer Slides	E	10
PRO 100SC Super Rail Ball Bearing Drawer Slides	E	11
PRO 150 File Drawer Slides	E	12

Keyword	Section	Page(s)
PRO 500 Undermount Drawer Slides	E	36
PRO 600 Undermount Drawer Slides	E	38 - 39
PRO 2000 Drawer Systems	G	5 - 10
PRO ECO Ball Bearing Drawer Slides	E	9
PRO ECO Undermount Drawer Slides	E	37
Professional Cabinet Saw, Saw Stop	W	20, 21
Profiling Router Bits	Y	2
Protective Gloves	S	43 - 50
Pull Down Closet Rods	N	36, 47
Pull Down Shelves, Rev-A-Shelf	K	135
<b>PULLS</b>		
Pulls, Amerock	A	80 - 131
Pulls, Berenson	A	11 - 79
Pulls, PRO	A	2 - 10
Push Knob Cabinet Locks	D	56
Push Latches	D	49 - 52
Putty Knives	U	16
PVC Edgebanding	M	4, 6, 17
PVC T-Molding	M	19, 20
<b>Q</b>		
Quartz Sinks	X	10-15
QuickTRAY System	K	33 - 34
<b>R</b>		
Racks, Belt	N	33, 35, 51
Racks, Drying	S	9
Racks, Pants	N	32, 54
Racks, Tie	N	33, 34, 52
Rags	S	16, 17
Ratchet and Socket Assortments	U	74 - 75
Ratchet Lock	D	44
Ratchets	U	58 - 59
Rails, Shoe	N	44, 55
Railing, Brass Bar & Foot	O	60
Random Orbital Sanders	V	7 - 11, 15, 17, 20, 21
Range Hoods, Wood	K	38 - 39
Razor Blade Scraper	U	15
Rear Brackets for Epoxy/Ball Bearing Slides	E	96 - 97

## KEYWORD INDEX (Listed in Alphabetical Order)

Keyword	Section	Page(s)
<b>REAR BRACKETS FOR UNDERMOUNT SLIDES</b>		
Blum Movento	E	62
Blum Tandem	E	44 - 45
Grass Dynapro 2.0	E	71
Grass Elite Plus	E	76
Grass Maxcess	E	77
Hettich Quadro 4D V6	E	84
Hettich Quadro V6	E	81
King Slide	E	87
Knape & Vogt G-Slide	E	90
Knape & Vogt MUV+	E	88
Knape & Vogt Samet	E	89
PRO 500	E	36
PRO 600	E	38 - 39
PRO ECO	E	37
Salice F70	E	95
Salice Futura	E	91
Removeacore Housings and Plugs	D	3
Replacement Blades	U	14
Replacement Waste Bins, Knape & Vogt	K	51
Replacement Waste Bins, Rev-A-Shelf	K	149
Respirator Filters / Cartridges	S	37, 38
Respirators	S	36, 38, 40, 41
Rests, Shelf	N	14 - 21
Retaining Clips, Panel/Glass	P	49
Rod, Closet	N	23 - 25, 27, 56
Rods, Dowel	P	52
Rods, Pull Down Closet	N	36, 47
Rods, Valet	N	31, 53
Roller Catches	D	53 - 54
Roller Stand	W	6
Rollers	S	10
Rolling Barn Door Hardware	O	2 - 16
Rolling Ladder Hardware	O	30 - 35
Rolls, Graphite	Q	36
Rope Moldings	L	10
Round Closet Flanges	N	24, 26, 56
Round Closet Tubing	N	23 - 25, 56
Router Bits	Y	2 - 18
Router Bits Replacement Parts	Y	14

Keyword	Section	Page(s)
Routers	V	3 - 5
RTA Fittings	P	54 - 56
<b>S</b>		
Safety Cabinets	S	14
Safety Glasses	S	30 - 35
Sanders	V	7 - 11, 15, 17, 20, 21
Sanding Belt Cleaners	Q	33
Sanding Belts: Edge, Portable & Wide	Q	34 - 39
Sanding, Discs	Q	2 - 15
Sanding, Sheets	Q	24 - 28
Sanding, Sponges	Q	29, 30
Saw Cleaner Pitch/Gum Remover	S	23
Saw Blades	Y	28 - 32
Saw Stop Accessories	W	24
Saws, Hole	Y	28
Scrapers	U	16
Screw Cover Caps	P	40 - 43
Screw Packs, Jacknob	O	57 - 59
Screwdriver Bits	P	36
Screwdrivers	U	40 - 49
Screwdrivers, T-Handles	U	50 - 53
<b>SCREWS</b>		
Assembly	P	10 - 16
AW® Drive	P	15, 37
Breakaway	P	32, 33
Bugle Head	P	24
Confirmat	P	35
Connecting	P	35
Decorative Hardware	A	142
Drywall	P	24
Euro screws	P	34
Faceframe	P	17 - 20
Hinge, Slide and Hardware	P	25 - 31
Installation	P	21 - 23
Pocket Hole	P	17 - 20
Scribing Tool	U	17
Sealants, Adhesive	R	53, 54
Seam Adhesive, Sink	X	28
Seam Rollers	U	12

## KEYWORD INDEX (Listed in Alphabetical Order)

Keyword	Section	Page(s)
Seamfil Laminate Repairer	R	60
Self-Adhering Masking Film	S	7
SFIC Lock Cylinders, Olympus	D	38
Sheaves	O	37
Sheets, Sanding	Q	24 - 28
Shelf Brackets	N	2 - 8
<b>SHELF HARDWARE</b>		
Countertop Supports	I	2 - 6
Countertop Supports	N	2 - 8
Brackets, Folding	N	8
Floating	N	11 - 13
Rests	N	14 - 21
Spoons	N	14
Standards & Brackets, PRO Value Series	F	2, 3
Standards & Brackets, Knape & Vogt	F	4 - 15
Standards & Brackets, Reeve	F	19 - 24
Stiffeners	N	9
Support Grommets	N	15
Supports	N	14 - 21
Supports, For Glass Shelves	N	21
Shelf Pull-Outs, Rev-A-Shelf	K	94, 97, 98
Shims	S	2
Shoe Protectors	S	53
Shoe Rail	N	44, 55
Shop Gloves	S	43 - 50
Shop Wipes	S	17
Showcase Locks	D	28, 29, 43, 44
Shrink Wrap	S	7
Silicon Sanding Discs	Q	3, 4, 13
Silicon Sanding Sheets	Q	26, 27
Silicon Wide Belts	Q	37
Silicone Sealants	R	53, 54
Silverware Drawer Insert Kit, Felt	K	56
Single Acting Spring Hinges	O	50
Single Demountable Hinges	C	45
Sink Accessories	X	28
Sink Adhesive	X	28
Sink Drains	X	27
Sink Faucets	X	22, 23
Sink Grids	X	25, 26

Keyword	Section	Page(s)
Sink Strainers	X	24
Sink Tip-Out Trays Front Clips	K	57
Sink Tip-Out Trays, Knape & Vogt	K	54
Sink Tip-Out Trays, Rev-A-Shelf	K	113 - 116
Sinks, Acrylic	X	16
Sinks, Quartz	X	10 - 15
Sinks, Solid Surface	X	33
Sinks, Stainless Steel	X	2 - 9
Sinks, Vitreous China	X	17 - 21
SlamCAM, CompX National	D	12
SlamStrike, CompX National	D	12
Slides, Breadboard	K	48
Sliding Door Cylinder Bodies, CompX Timberline	D	23
Sliding Door Hardware	O	18 - 29
Sliding Door Tracks	O	38 - 42
Sliding Glass Door Locks, CompX Timberline	D	28, 29
Slitter, Manual	W	4
Slotting Cutter Router Bits	Y	15
Snips	U	85 - 86
Sockets	U	60 - 73
SoftWax	R	55
Solid Surface Sheets	X	31, 32, 35
Solvents, SeamFil	R	60
SOSS Hinges	C	42, 43
Space Ball Panel Inserts	L	13
Spacers, Drawer Slide	E	98 - 99
Specialty Locks, CompX National	D	42, 43
Specialty Locks, CompX Timberline	D	44
Speed Dollie™	S	9
Speed Skate™	S	9
SpeedBraces™	N	3
Spice Rack, Door Mount	K	132 - 133
Split Rope Moldings	L	10
Sponges, Abrasive	Q	29, 30
Spoons, Shelf	N	14
Spray Booth Coatings	T	30
Spray Booth Filters	T	31, 32
Spray Booth Floor Paper	T	30

## KEYWORD INDEX (Listed in Alphabetical Order)

Keyword	Section	Page(s)
Spray Cleaner	S	21, 22
Spray Guns, 3M Accuspray	T	24, 26
Spray Guns, 3M Performance Gun	T	27, 28
Spray Guns, Adhesive	T	6, 16
Spray Guns, Cleaning Kits	T	6, 17
Spray Guns, Conventional	T	5
Spray Guns, Glaze Kit	T	4
Spray Guns, Gravity	T	3, 4, 13, 14, 27, 28
Spray Guns, Pressure	T	2, 5, 15, 27
Spray Guns, Sames-Kremlin Airmix	T	19 - 23
Spray Lubricants	S	23 - 25
Spreaders	U	5
Spring Hinges	O	49, 50
Square Pulls	A	5, 9, 26, 52, 53, 114
Squares	U	19
Stain Brushes	S	10
Stain Pad	S	11
Staining Pads	S	11
Stainless Steel Rail & Accessories	O	60
Stainless Steel Sinks	X	2 - 9
Standards & Brackets, PRO Value Series	F	2, 3
Standards & Brackets, Knape & Vogt	F	4 - 15
Standards & Brackets, Reeve	F	19 - 24
Standoffs	H	2 - 4
Staplers	V	23
Staples	P	2 - 3
Stays	C	31 - 37
Steel Cans	S	13
Stemware Racks, Omega National	K	44
Stemware Racks, Rev-A-Shelf	K	134
Straight Plunge Router Bits	Y	5
Strainers	S	11
Strapping Tape	S	7
Stretch Wrap & Handles	S	7
Strike / Keepers, Toilet Door	O	57 - 59
Strikes, CompX National	D	11
Strikes, Olympus	D	40
Suction Cup Handle	S	9

Keyword	Section	Page(s)
Super Glue, Two Part	R	21
Supports, Drop Leaf	I	8
Supports, Fixed Table/Countertop	I	2 - 6
Supports, Shelf	N	14 - 21
Suspension Rail, Closet	N	22
Swidget, Tresco	J	52 - 55
Swivel Glides	I	18
<b>T</b>		
T - Molding, PVC	M	19, 20
Table Bases	I	11
Table Hardware	I	8
Table Leg Brackets, Folding	I	9
Table Legs, Folding	I	9
Table Legs, Metal	I	10 - 11
Tack Cloth	S	11
Tambour Door Kit, Omega National	K	46
Tambour Door Track	L	14
Tambour Doors, Woodfold	K	47
Tambour Doors	L	15, 16
Tambour Table, Drawer Pull-Out	K	127
Tandem Undermount Drawer Slides	E	40 - 41
Tandembox Metal Drawer Systems	G	26 - 45
Tandembox Orga-Line Accessories	G	40, 41
Tandembox Trash Pull-Outs	G	36
Tanks, Pressure	T	8, 16, 18
Tape Measures	U	18, 19
Taper Point Drill Bits	Y	21
<b>TAPES</b>		
Bandaging Tape	S	7
Carton Sealing	S	7
Duct	S	6
Electrical	S	5
Foam (Double Sided)	S	5
Masking	S	2, 3
Packing	S	7
Painters	S	4
Silicone	S	6
Strapping	S	7
Tension Catches	D	52
Tempilaq Temperature Monitor	S	25

## KEYWORD INDEX (Listed in Alphabetical Order)

Keyword	Section	Page(s)
Temporary Knob/Handles	S	4
Thermometer, Digital	S	54
Third Hand System, Fastcap	U	24
Tie Racks	N	33, 34, 52
Tilt Out Hampers	N	40, 46
Tip-Out Trays, False Front Clips	K	57
Tip-Out Trays, Knape & Vogt	K	54
Tip-Out Trays, Rev-A-Shelf	K	114 - 116
Titebond Glue	R	9, 11, 12, 15, 16, 19, 20
Tite-Joint Fasteners	P	38 - 39
Toe Kicks	K	58
Toggle Clamps	U	7
Toilet Partition Hardware	O	58
Toilet Tissue and Dispenser	S	15
Tool, Cover Cap	P	42
Top Mount Waste Bin Pull-Outs, Knape & Vogt	K	50
Top Mount Trash Pull-Outs, Rev-A-Shelf	K	146 - 148
Touch Latches	D	49 - 52
Towel Bar Pull-Outs, Knape & Vogt	K	53
Towel Bars, Bath Hardware	O	55
Towel Roll	S	15
Track, Tambour Door	L	14
Trash Grommets	H	11 - 12
<b>TRASH PULL-OUTS</b>		
Bottom Mount, Knape & Vogt	K	49
Bottom Mount, PRO	K	2
Bottom Mount, Rev-A-Shelf	K	136 - 144
Bottom Mount, Wurth/Vauth-Sagel	K	4 - 9
Specialty, Knape & Vogt	K	50
Specialty, Rev-A-Shelf	K	144 - 145
Top Mount, Knape & Vogt	K	50
Top Mount, Rev-A-Shelf	K	146 - 148
Top Mount, Wurth/Vauth-Sagel	K	10 - 13
Tray Divider Pull-Out, Base Cabinet, Knape & Vogt	K	53
Tray Divider Pull-Out, Base Cabinet, Omega National	K	42
Tray Dividers, Base Cabinet, Knape & Vogt	K	53

Keyword	Section	Page(s)
Tray Dividers, Base Cabinet, Omega National	K	42
Tray Dividers, Base Cabinet, Rev-A-Shelf	K	111 - 112
Tray Liners	S	10
Trays, Paint	S	10
Tresco Lighting Layout Service, Free	J	68
Trim Rollers	S	10
Trim Router Bits	Y	3, 7 - 11, 13, 16, 17
Trimmers, Edgeband, Laminate	U	11
<b>U</b>		
U Channels	M	20
Under Sink Drip Trays, Rev-A-Shelf	K	113
Under Sink Organizer Pull-Outs, Rev-A-Shelf	K	107 - 109
Under Sink Towel Holders, Knape & Vogt	K	53
Under Sink Towel Holders, Rev-A-Shelf	K	110
Undermount Drawer Slides	E	40 - 95
Universal Absorbent	S	14
Utility Knives	U	14
<b>V</b>		
Valet Rods	N	31, 53
Vanity Drawer Insert, Rev-A-Shelf	K	180
Vanity Drawers, Rev-A-Shelf	K	177
Vanity Drawers With Outlet, Rev-A-Shelf	K	176
Vanity Door Mount Racks, Rev-A-Shelf	K	179
Vanity Door Mount Waste Bin, Rev-A-Shelf	K	175
Vanity Drip Trays, Rev-A-Shelf	K	172
Vanity Hamper Pull-Outs, Rev-A-Shelf	K	172 - 174
Vanity Organizer Pull-Outs, Rev-A-Shelf	K	171, 178
Vanity Organizer Pull-Outs With Outlet, Rev-A-Shelf	K	170
Vanity Waste Bin Pull-Out, Rev-A-Shelf	K	175
Varnish Brushes	S	10
Veneer Sheets	M	5, 6, 10 - 13
Ventilators	K	40
Ventilation Grommets	H	12 - 13
Vinyl Drawer Blanks	G	3, 4
Vionaro Drawer Systems	G	53 - 61
Vix Bits	Y	22

## KEYWORD INDEX (Listed in Alphabetical Order)

Keyword	Section	Page(s)
<b>W</b>		
Wall Anchors	P	51
Wall Bed Mechanism	O	36
Wardrobe Hooks	O	45 - 47
Wardrobe Lock Cylinder Bodies, Compx Timberline	D	26
Washers, Finishing	P	42
<b>WASTE BIN PULL-OUTS</b>		
Bottom Mount, Knape & Vogt	K	49
Bottom Mount, PRO	K	2
Bottom Mount, Rev-A-Shelf	K	136 - 144
Bottom Mount, Würth/Vauth-Sagel	K	4 - 9
Specialty, Knape & Vogt	K	50
Specialty, Rev-A-Shelf	K	144 - 145
Top Mount, Knape & Vogt	K	50
Top Mount, Rev-A-Shelf	K	146 - 148
Top Mount, Würth/Vauth-Sagel	K	10 - 13
Waste Bin Slides, Blum Movento	E	63
Waste Bin Slides, Blum Tandem	E	49
Waste Bins, Knape & Vogt	K	51
Waste Bins, Rev-A-Shelf	K	149
Waterproof Wood Glue	R	12
Wax, Wood Repair	R	55
Wide Sanding Belts	Q	37 - 39
Wine Bottle Racks, Omega National	K	45
Wine Bottle Racks, Rev-A-Shelf	K	134
Wine Organizer Pull-Out	K	80
Wiping Rags	S	16, 17
Wire Brush	U	10
Wire Closet Baskets	N	37, 45
Wire Grills for Cabinet Doors	L	12
Wire Grommets	H	5 - 9
Wire Management Channels	H	15
Wire Pulls	A	10, 16, 79, 84, 134
Wire Shelf Supports	N	20
Wood Biscuits	P	53
Wood Countertops	X	29 - 30
Wood Dowel Pins & Rods	P	52
Wood Drawer Blanks	G	2, 3

Keyword	Section	Page(s)
Wood Edgebanding	M	7 - 9, 14 - 16
Wood Fillers	R	55 - 58
<b>WOOD GLUES</b>		
Fluorescent	R	15
Molding & Trim	R	19
Polyurethane	R	20
Quick Dry	R	12
Water Proof	R	12
Water Resistant	R	10, 11
White	R	13, 14
Yellow	R	8, 9
Wood Range Hoods	K	38 - 39
Wood Shims	S	2
Wood Tambour	K	47
Wood Veneer Sheets	M	5, 6, 10 - 13
Workstation Brackets	I	2 - 6
Workstation Brackets	N	2 - 7
Woven Basket Pull-Outs, Rev-A-Shelf	K	91
Wrenches	U	28-37
<b>WÜRTH HAND TOOLS</b>		
Allen Keys	U	38 - 39
Bits and Accessories	U	54 - 57
Pliers and Cutters	U	76 - 84
Ratchet and Socket Assortments	U	74 - 75
Ratchets	U	58 - 59
Screwdrivers	U	40 - 49
Screwdrivers, T-Handle	U	50 - 53
Snips	U	85 - 86
Wrenches	U	28-37
<b>X</b>		
X-Brackets	K	32
<b>Z</b>		
Z-Clips	P	50
Zargen Drawer Systems	G	75 - 85
Zbox Drawer Systems	G	86 - 88

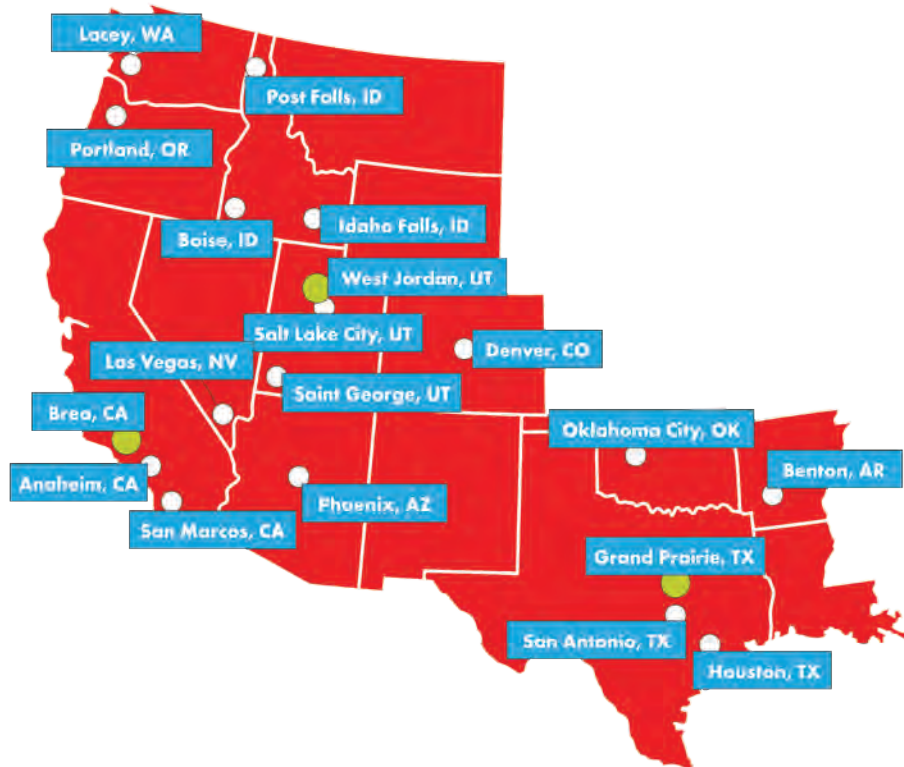








## OUR LOCATIONS



### Brea, California /Corporate

895 Columbia St.  
Brea, California 92821  
(800) 422-4389

### Anaheim Pick Up Shop

2970 E La Palma Ave., Unit A  
Anaheim, California 92806  
(800) 422-4389 ext 1133

### Benton, Arkansas

427 Bird St.  
Benton, Arkansas 72015  
(800) 422-4389

### Boise, Idaho

7564 W Victory Rd.  
Boise, Idaho 83709  
(800) 422-4389 ext 3160

### Denver, Colorado

4691 Havana St.  
Denver, Colorado 80238  
(800) 422-4389

### Grand Prairie, Texas

3080 N Great Southwest Pkwy.  
Grand Prairie, Texas 75050  
(800) 422-4389

### Houston, Texas

551 Garden Oaks Blvd.  
Houston, Texas 77018  
(800) 422-4389

### Idaho Falls, Idaho

3353 N 25th E  
Idaho Falls, Idaho 83401  
(800) 422-4389 ext 3152

### Lacey, Washington

9107 Polaris Ln. N/E Suite F  
Lacey, Washington 98516  
(800) 422-4389

### Las Vegas, Nevada

6125 S Valley View Blvd., Suite B  
Las Vegas, Nevada 89118  
(800) 422-4389 ext 3551

### Oklahoma City, Oklahoma

4201 Charter Ave.  
Oklahoma City, Oklahoma 73108  
(800) 422-4389 ext 4450

### Phoenix, Arizona

2110 E Raymond Ave., B-2  
Phoenix, Arizona 85040  
(800) 422-4389

### Portland, Oregon

12848 NE Airport Way  
Portland, Oregon 97230  
(800) 422-4389

### Post Falls, Idaho

730 S Clearwater Loop Rd. #110  
Post Falls, Idaho 83854  
(800) 422-4389 ext 2316

### Salt Lake City Pick Up Shop

2620 S 900 W  
South Salt Lake City, Utah 84119  
(800) 422-4389 ext 3123

### San Antonio, Texas

3023 Interstate Dr.  
San Antonio, Texas 78219  
(800) 422-4389 ext 4461

### San Marcos Pick Up Shop

999 Linda Vista Dr.  
San Marcos, California 92078  
(800) 422-4389 ext 1514

### Saint George Pick Up Shop

476 East Riverside Dr. #3A  
Saint George, Utah 84790  
(800) 422-4389 ext 3553

### West Jordan, Utah

9826 S. Prosperity Rd.  
West Jordan, Utah 84081  
(800) 422-4389



# WÜRTH LOUIS AND COMPANY

Service • Quality • Selection

2022/2023 CATALOG

[www.wurthlac.com](http://www.wurthlac.com)

