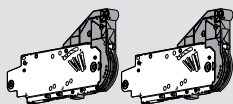


AVENTOS HL

Narrow aluminum frame door application

Lift mechanism set



- Lift mechanism (qty 2)
- #7 x 35 mm (1-3/8") wood screw (qty 10)

20L2100.N5

20L2300.N5

20L2500.N5

20L2700.N5

20L2900.N5

Cover set



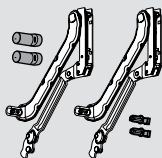
- Right and left cover plate
- Non-handed cover caps

Part no.

Cover set

20L8000.N1

Arm assembly set



- Right and left arm assembly
- Stabilizer rod adapter (qty 2)
- Stabilizer rod cover cap (qty 2)

Cabinet height

Part no.

300 (11-13/16") — 349 (13-3/4")

20L3200.05

350 (13-13/16") — 399 (15-13/16")

20L3500.05

400 (15-3/4") — 550 (21-5/8")

20L3800.05

450 (17-11/16") — 580 (22-13/16")

20L3900.05

Oval stabilizer rod



- Oval stabilizer rod
- Aluminum rod length **1061** (41-3/4"), cut to size
- Length = interior cabinet opening minus **122** (4-13/16")

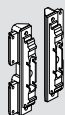
Part no.

Oval stabilizer rod

20Q1061UA

NOTE: For cabinets wider than 48" two stabilizer rods and stabilizer rod connector set required

Narrow aluminum hardware set

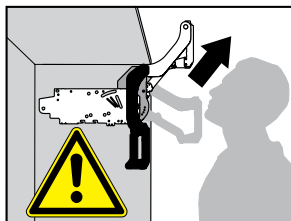


- Arm assembly mounting plate (qty2)
- 699.110 — Aluminum screw for narrow aluminum lever arm mounting plate (qty 8)

Part no.

Narrow aluminum hardware set

20S4200A

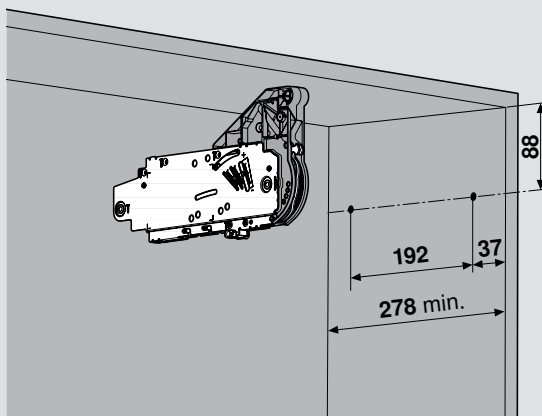


WARNING

Risk of injury from spring-loaded arm

- Do not push arm assembly down or leave in the down position
- Remove mechanism before installing or removing cabinet

1 Locating pin locations and minimum depth



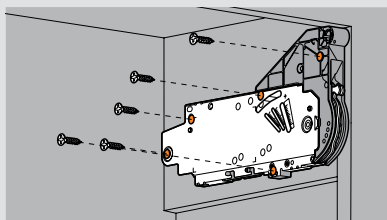
Part no.

Universal individual template is available for pre-boring 5 mm locating pins

65.1051.01

2 Attaching the lift mechanism

- Use the AVENTOS template to pre-bore the locating pin holes for the AVENTOS HL lift mechanism
- After aligning the lift mechanism with the cabinet using the locator pins, attach the mechanism with the five mounting screws provided



#7 x 35 (1-3/8") wood screws (qty 5)

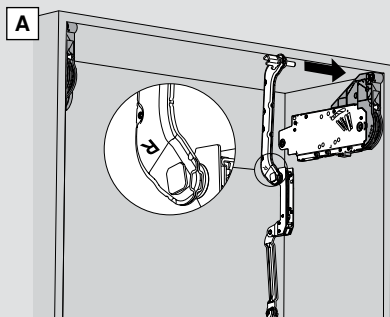
3 Attaching the arm assembly



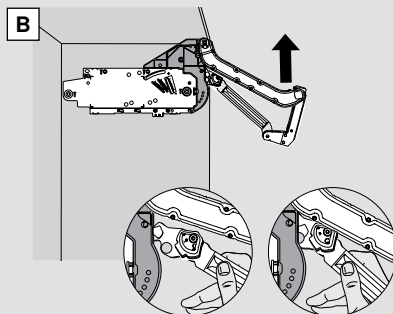
Risk of injury from spring loaded arm

NOTE: Before starting, see safety note on page 2

Find the right and left arm assemblies and match them to the correct side of the cabinet



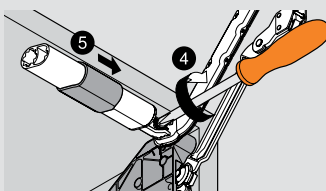
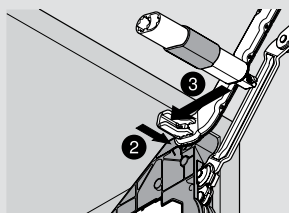
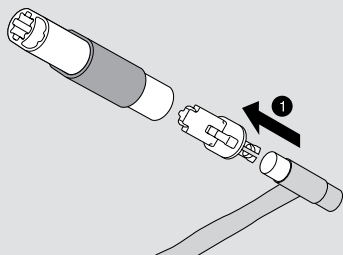
Attach the arm assembly to the lift mechanism as shown in illustrations A and B.



Lift up on the arm assembly to lock into place.

4 Attaching the stabilizer rod

Cut the stabilizer rod to fit the cabinet.
Length = Interior cabinet opening minus 122 mm



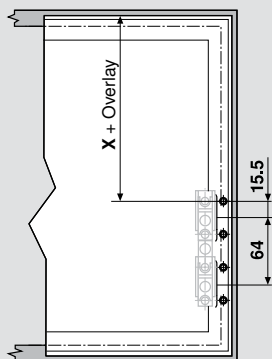
After cutting the rod to size, slide the stabilizer arm cover caps onto the rod. Insert the stabilizer rod adapters being careful to line up the tabs (shown with dotted lines). Attach the rod assembly to each arm assembly and tighten the locking screw.

Assembly

Attaching the mounting plates

5a Mounting plate position

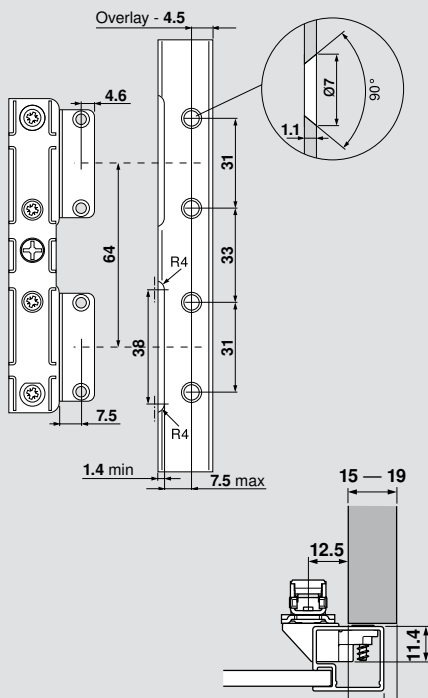
Attach the mounting plate to the door.



NOTE: All four screws must be installed

Arm assembly	X
20L3200	153.5
20L3500	203.5
20L3800	253.5
20L3900	303.5

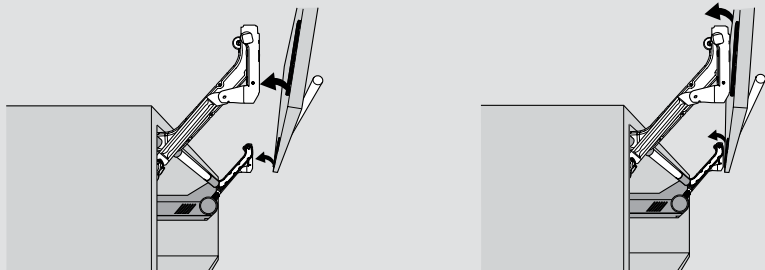
5b Planning narrow alum. frames



When changing material thickness, adjust the assembly dimensions accordingly.

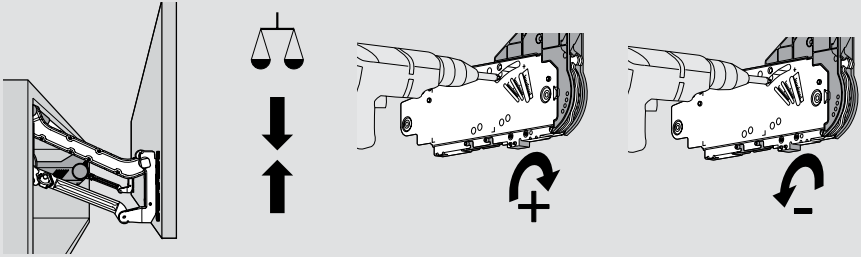
6 Attaching the door

Attach the door to the arm assembly using the CLIP mechanism.



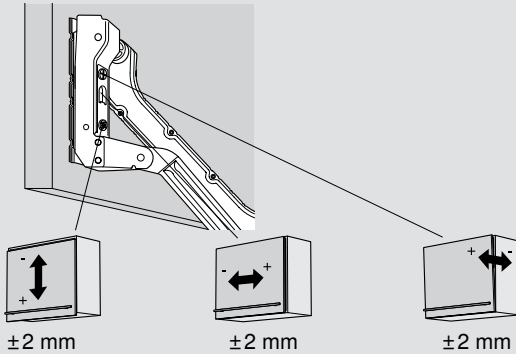
7 Adjusting the lift mechanism tension

Use a screw gun and the supplied #2x2 POZI driver bit to adjust the lift mechanism to the desired tension.



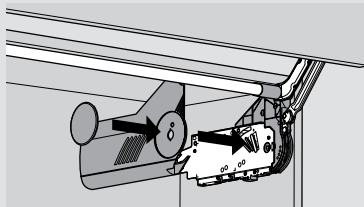
8 Adjusting the door

Use a POZI screwdriver to adjust cam adjustments for each of the three-dimensional adjustments. Tension should be the same on both lift mechanisms.

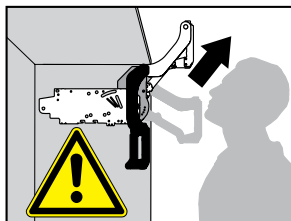


9 Attach covers

Snap the symmetrical cover caps on each cover plate. Place the left and right cover plates over the appropriate lift mechanisms and snap them in place.



Removal



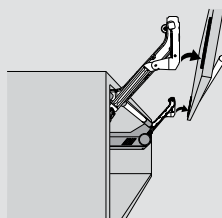
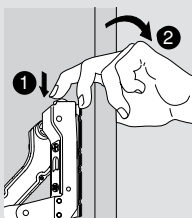
WARNING

Risk of injury from spring-loaded arm

- Do not push arm assembly down or leave in the down position
- Remove mechanism before installing or removing cabinet

1 Removing the door

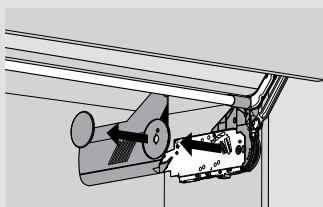
Open the door. Support the door with one hand and push down tab to disengage the CLIP mechanisms of the arm assemblies of the mounting plates.



Lift the door off the mounting plates.

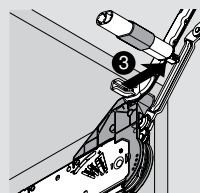
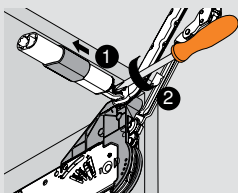
2 Remove the covers

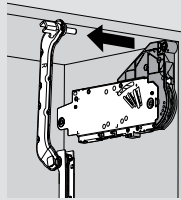
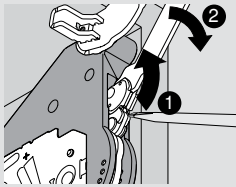
Remove the cover caps and cover plate.



3 Remove the stabilizer rod

Pull back the stabilizer rod cover caps and loosen the locking screws on each end of the stabilizer rod. Remove the stabilizer rod from the cabinet.



4**Removing the arm assembly**

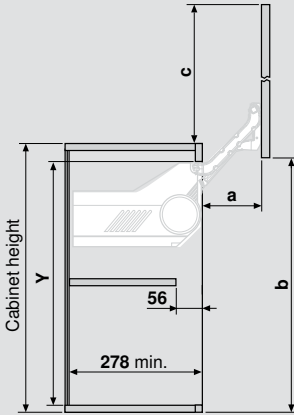
Use a screwdriver to disengage both arm assemblies. Remove arm assembly from mechanism.

NOTE: Both tabs must be disengaged

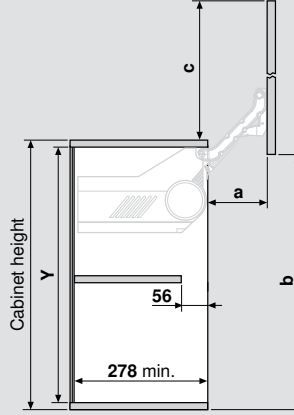
Other information

Space requirements

Face frame



Panel



Face frame

Arm assembly	Cabinet height	Min. Y	a	b*	c*
20L3200.05	300 - 349 (11-13/16" - 13-3/4")	262	114	257	241
20L3500.05	350 - 399 (13-13/16" - 15-13/16")	312	146.5	345.5	331
20L3800.05	400 - 550 (15-3/4" - 21-5/8")	362	178.5	434	419
20L3900.05	450 - 580 (17-11/16" - 22-13/16")	412	211	522	507

* based on 1-1/2" face frame

Panel

Arm assembly	Cabinet height	Min. Y	a	b*	c*
20L3200.05	300 - 349 (11-13/16" - 13-3/4")	262	114	276	260
20L3500.05	350 - 399 (13-13/16" - 15-13/16")	312	146.5	364.5	350
20L3800.05	400 - 550 (15-3/4" - 21-5/8")	362	178.5	453	438
20L3900.05	450 - 580 (17-11/16" - 22-13/16")	412	211	541	526

* based on 19 mm top panel

Inch		mm
1/32	.031	1
1/16	.063	1.5
3/32	.094	2
1/8	.125	3
5/32	.156	4
3/16	.188	5
7/32	.219	5.5
1/4	.25	6
9/32	.281	7
5/16	.313	8
11/32	.344	9
3/8	.375	9.5
13/32	.406	10
7/16	.438	11
15/32	.469	12
1/2	.5	13
17/32	.531	13.5
9/16	.563	14
19/32	.594	15
5/8	.625	16
21/32	.656	17
11/16	.688	17.5
23/32	.719	18
3/4	.75	19
25/32	.781	20
13/16	.813	20.5
27/32	.844	21
7/8	.875	22
29/32	.906	23
15/16	.938	24
31/32	.969	24.5
1	1	25.4

Blum, Inc.
 7733 Old Plank Rd.
 Stanley, NC 28164
 800-438-6788
 704-827-1345
 fax 704-827-0799
 sales.us@blum.com
 www.blum.com

