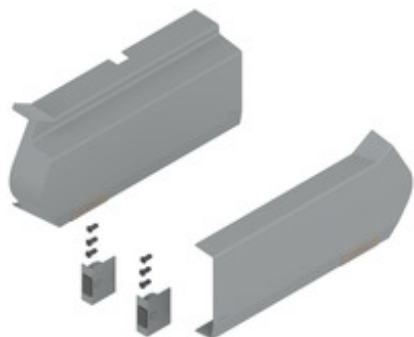


Product details

AVENTOS HF bi-fold lift system, cover cap large (incl. Crank switch for drilling, enclosed), right+left, suitable for SERVO-DRIVE, printed (safety information sticker)



Part number	21F8020.NA
Item number	08352500
Color / finish	Light gray/stainless steel brushed
Packaging quantity	1
Weight per 1,000 Pcs in kg	421.19
EAN code	9009494523577
UPC code	

Technical attributes

Attribute	Value
cover cap type	Cover cap large
position	Left
position	Right
cover cap version	self-adhesive warning
cover cap version	Smooth Design
material	Nylon
color / finish	light gray/stainless steel longside brushed.
cover cap attachment	press-in
print type	Screen print
Schriftzug	Sicherheitshinweis
item package	right+left
packaging	Commercial packing
additions	Crank switch for drilling, enclosed
additions	Distance bumper DM 5mm, enclosed
additions	Cover cap ABD.100-09.BT, enclosed