

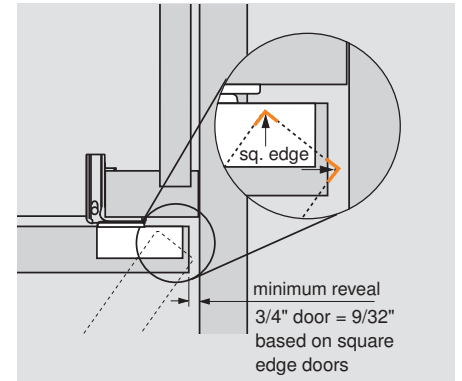
COMPACT BLUMOTION 38C hinges for full overlay



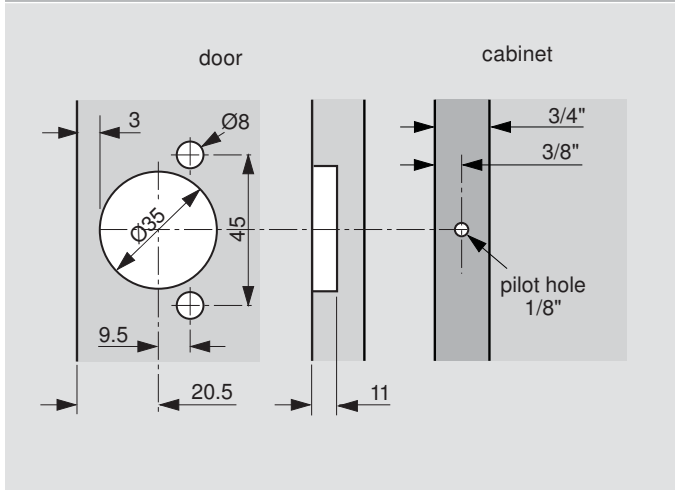
Description

- BLUMOTION integrated into the hinge cup
- Deactivation switch for small/light doors
- Overload safety feature
- One-piece wraparound hinge
- 7/16" cup depth

Minimum reveal

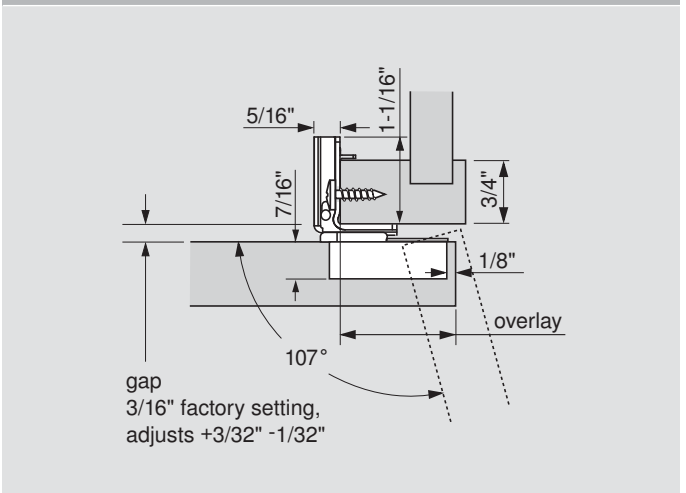


Boring pattern

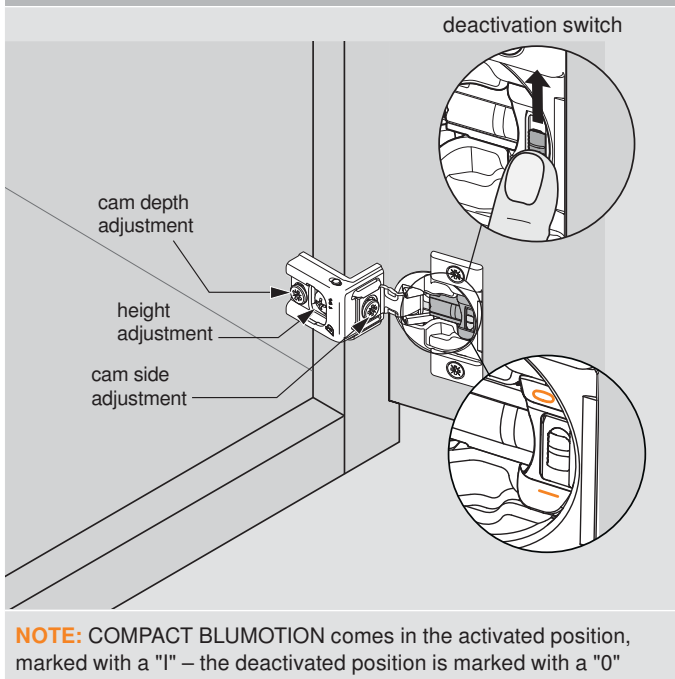


NOTE: Maximum door thickness 3/4"

Dimensions



Adjustment



Wraparound hinges

Overlay	Screw-on	47 Press-in
1-1/4"	38C355B.20	38C358B.20

Installation screw

Truss head screw	834TH
------------------	-------

Accessories

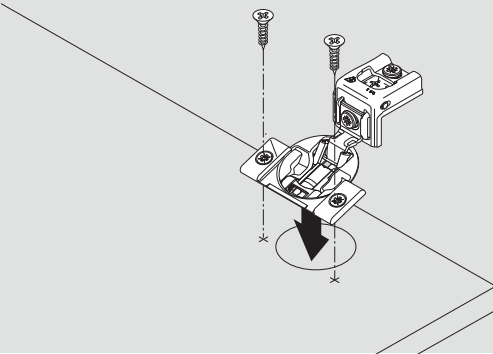
Angle restriction clip	38C315B3.1
Hinge cup spacer	38C355B9
*Blank cover cap	38C3508

*See page 42 for additional cover cap options

General specifications

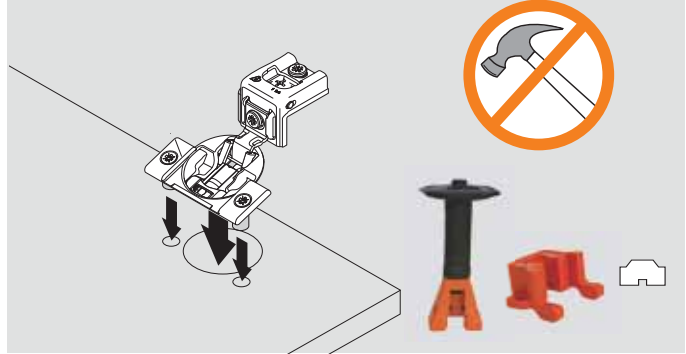
Screw-on

Use #6 wood screws



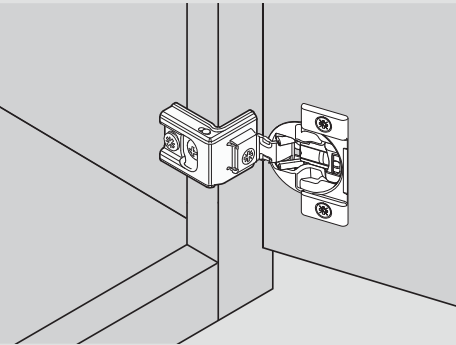
Press-in

Pre-attached Ø8 dowels installed with Blum knock-in tool or MINIPRESS with COMPACT insertion ram

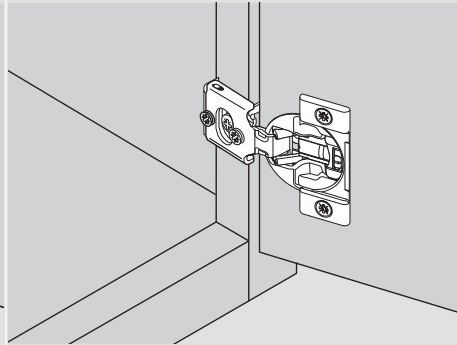


Mounting plate attachment

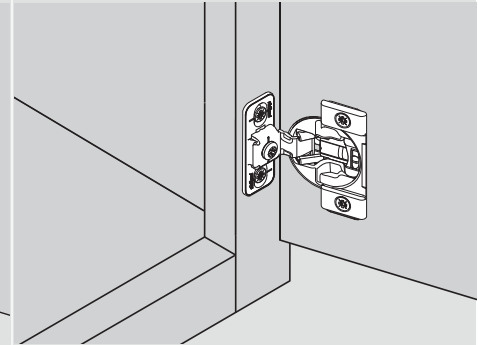
39C/38C series – wraparound



38N series – wraparound/edge mount



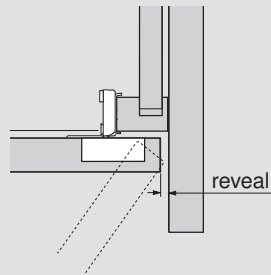
38B series – face mount



Minimum reveal

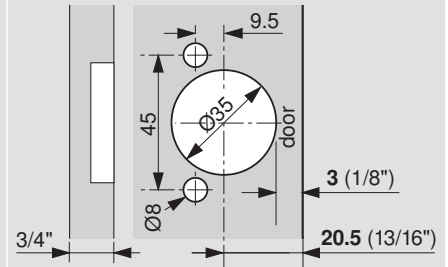
A minimum reveal per door is required to keep the door from binding and varies depending on door thickness.

See minimum reveal table for each hinge.



Hinge cup centerpoint

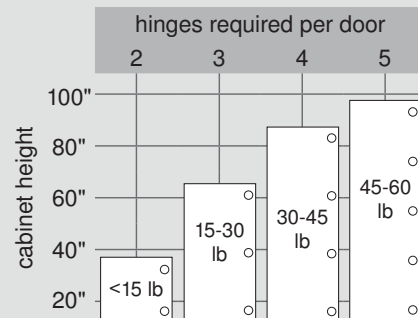
Hinge cup centerpoint and MINIPRESS/MINIDRILL setback position is 20.5 (13/16") for COMPACT BLUMOTION hinges



NOTE: Maximum door thickness 3/4"

Hinges per door

This chart can serve as a guide for determining the number of hinges per door. Note that door weight can also determine the number of hinges required.



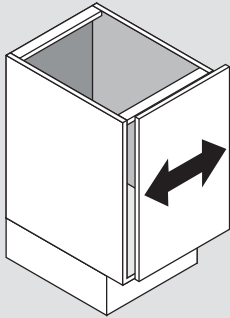
NOTE: The distance between the top and bottom hinges must be greater than the width of the door

Adjustment

Three-dimensional adjustment

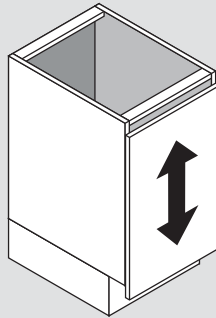
Side adjustment

Rotate the front cam screw to increase or decrease door overlay ($\pm 1/16"$)



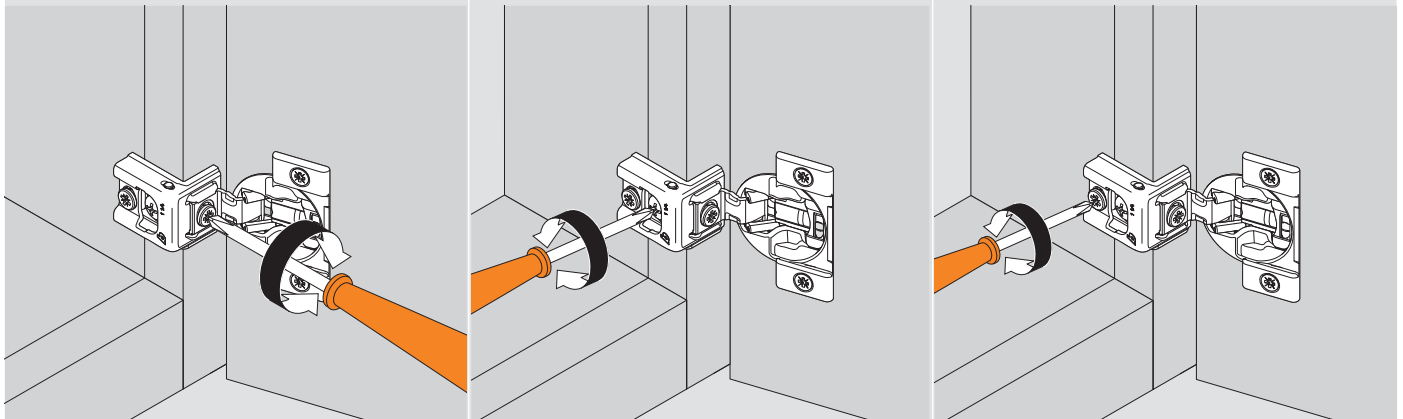
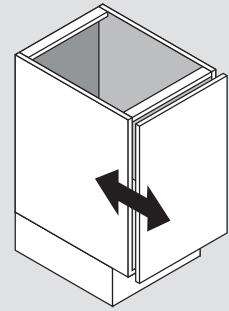
Height adjustment

Loosen installation screws to adjust door position ($\pm 1/8"$), then retighten



Depth adjustment

Rotate the rear cam screw to adjust door gap ($+ 3/32"$, $- 1/32"$)



BLUMOTION deactivation

Deactivation switch on the hinge cup

For small or light doors, the BLUMOTION can be deactivated on one of the hinges. COMPACT BLUMOTION comes in the activated position, marked with a "1". The deactivated position is marked with a "0".

Door must be closed once for the deactivation to be complete. To reactivate, move switch back to the original position "1".

