

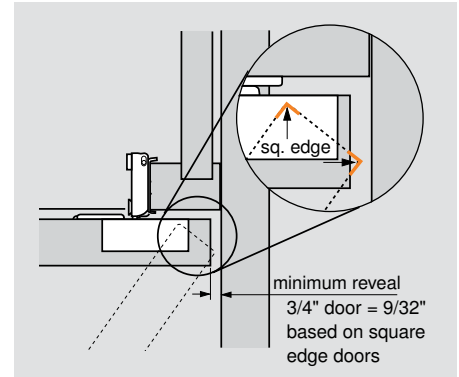


### Features

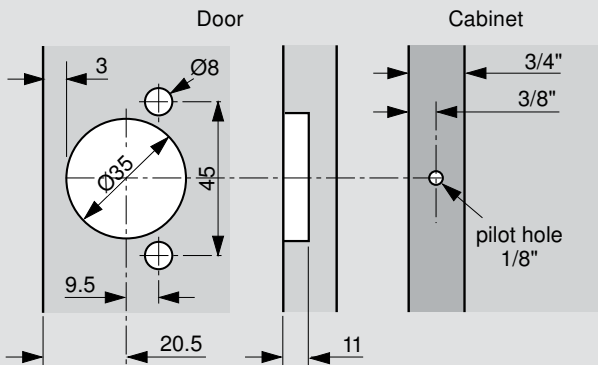
- BLUMOTION soft close integrated into the hinge cup
- Deactivation switch for small/light doors
- Overload safety feature
- One-piece wraparound hinge
- 7/16" cup depth
- Press-in hinges must be inserted with knock-in tool or universal insertion ram



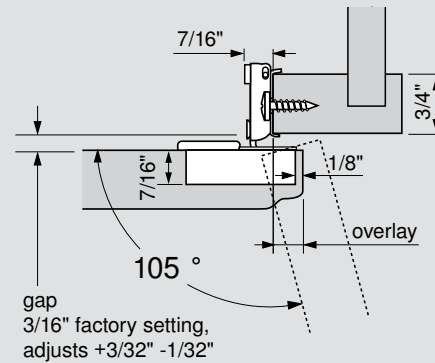
### Minimum reveal



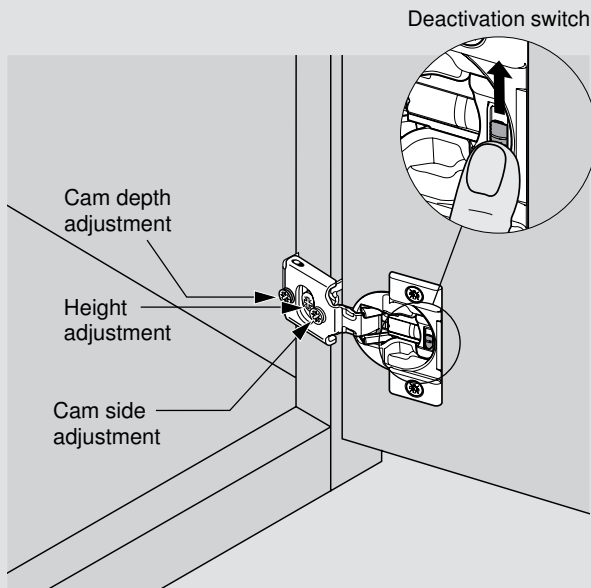
### Boring pattern



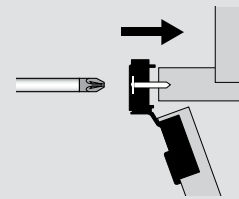
### Dimensions



### Adjustment



### Wraparound hinges



Overlay	Door protrusion	Screw-on	Press-in
5/16"	5/16"		38N358B.05
3/8"	1/4"	38N355B.06	38N358B.06
7/16"	3/16"		38N358B.07
1/2"	1/8"	38N355B.08	38N358B.08
3/4"	0	38N355B.12	38N358B.12

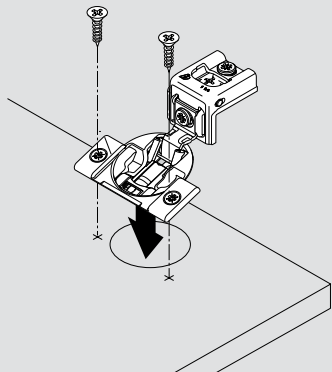
### Accessories

Type 17 truss head screw	834TH
Angle restriction clip	38C315B3
Hinge cup spacer	38C355B9
Cover cap	38N3508B

## Hinge attachment

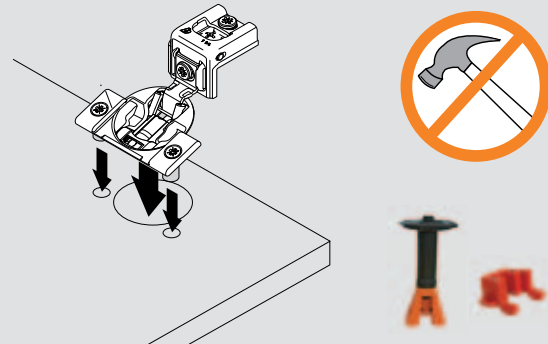
### Screw-on

Use #6 wood screws



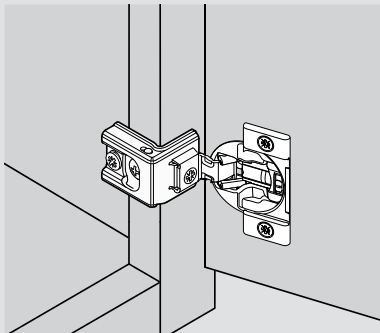
### Press-in

Pre-attached Ø8 dowels installed with Blum knock-in tool or MINIPRESS with universal insertion ram

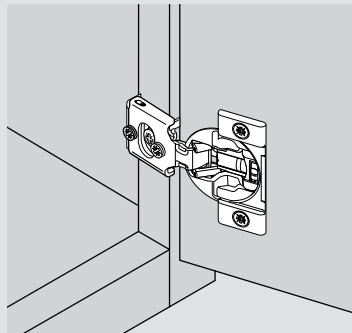


## Mounting plate attachment

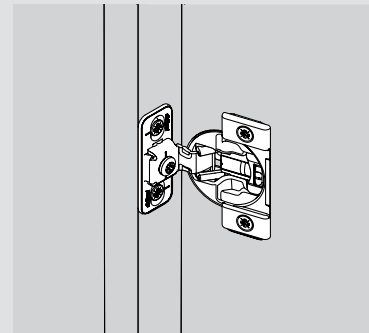
39C/38C series – wraparound



38N series – wraparound

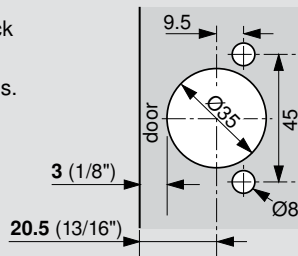


38B series – face mount



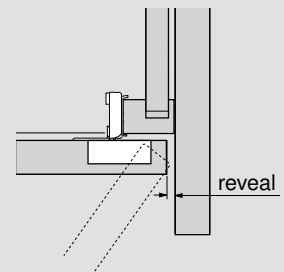
## Hinge cup centerpoint

Hinge cup centerpoint and MINIPRESS/MINIDRILL setback position is **20.5 (13/16")** for COMPACT BLUMOTION hinges.



## Minimum reveal

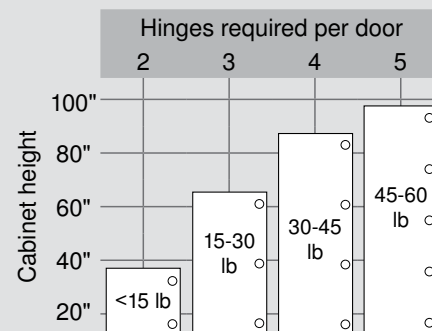
A minimum reveal per door is required to keep the door from binding and varies depending on door thickness (see minimum reveal table for each hinge).



## Hinges per door

This chart can serve as a guide for determining the number of hinges per door. Note that door weight can also determine the number of hinges required.

**NOTE:** The distance between the top and bottom hinges must be greater than the width of the door

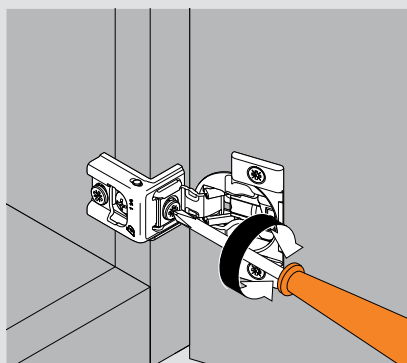
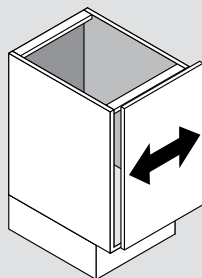


## Door adjustment

### Three-dimensional adjustment

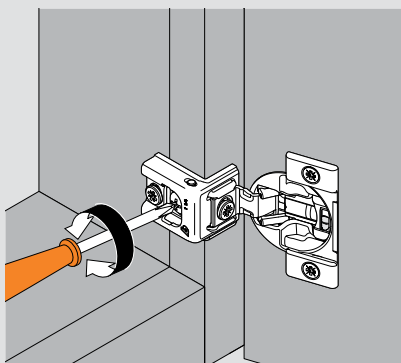
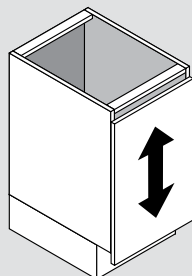
#### Side adjustment

Rotate the front cam screw to increase or decrease door overlay (+/- 1/16").



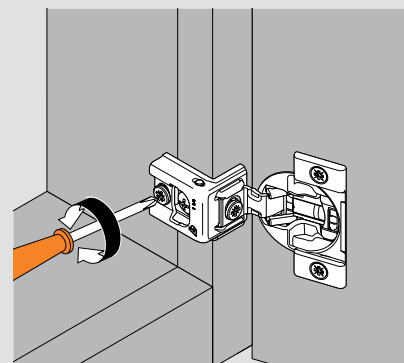
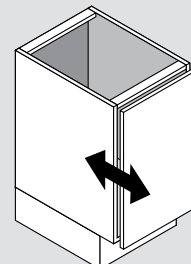
#### Height adjustment

Loosen installation screws to adjust door position (+/- 1/8"), then retighten.



#### Depth adjustment

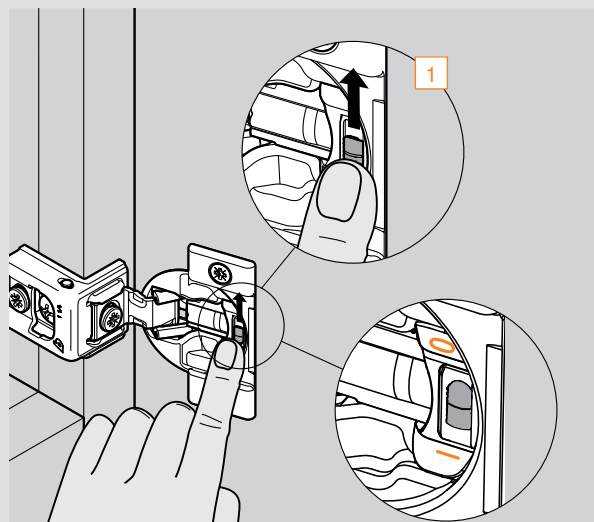
Rotate the rear cam screw to adjust door gap (+ 3/32", - 1/32").



## BLUMOTION deactivation

### Switch on the hinge cup

For small or light doors, the BLUMOTION can be deactivated on one of the hinges. COMPACT BLUMOTION comes in the activated position, marked with a "1". The deactivated position is marked with a "0".



Door must be closed once for the deactivation to be complete. To reactivate, move switch back to the original position "1".

