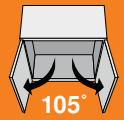


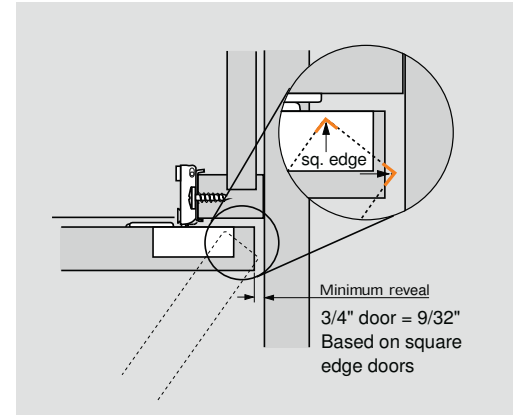
COMPACT 38N hinges for partial overlay



Features

- 105° opening angle
- One piece assembly
- Wrap around or edge mount
- 7/16" cup depth
- ±1/8" height adjustment
- ±1/16" side adjustment
- +3/32" -1/32" cam depth adjustment
- Steel, nickel-plated



Minimum reveal



General specs & installation
Cover caps

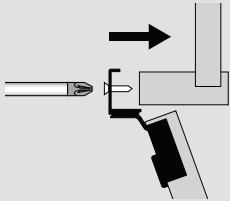
page 65
page 72

Overlay application

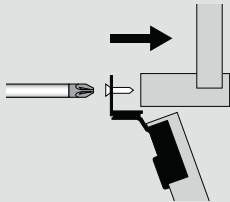
Wrap around	3/8"	7/16"	1/2"	5/8"	3/4"
Screw-on	38N355C.06	38N355C.07	38N355C.08	38N355C.10	38N355C.12
Press-in 	38N358C.06	38N358C.07	38N358C.08	38N358C.10	38N358C.12
Edge mount	1/2"				
Screw-on	38N355CE08				
Press-in 	38N358CE08				

Attachment

Wrap around



Edge mount



Installation screws



#8 x 3/4" type 17

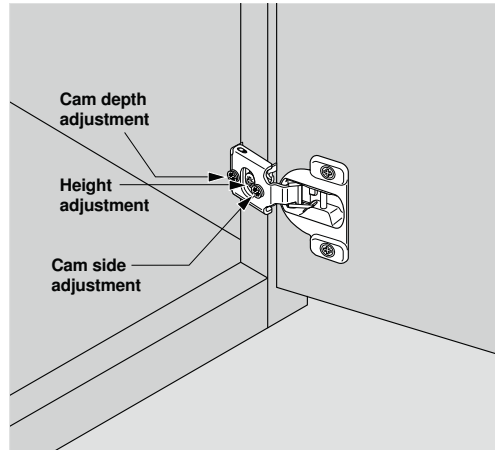
834TH



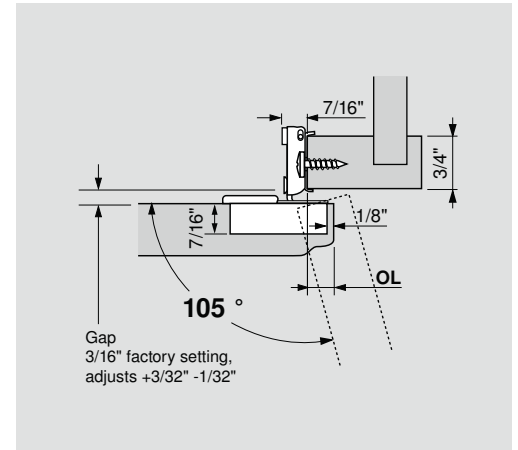
#10 x 3/4" pilot bore

1034N

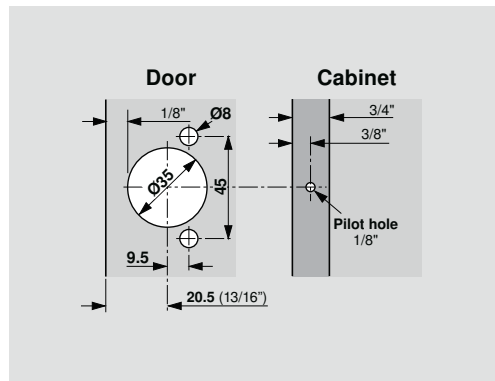
Adjustment



Dimensions



Boring pattern



Door protrusion

OL	P
3/8"	1/4"
7/16"	3/16"
1/2"	1/8"
5/8"	0
3/4"	0

OL = Door overlay
P = Door protrusion