

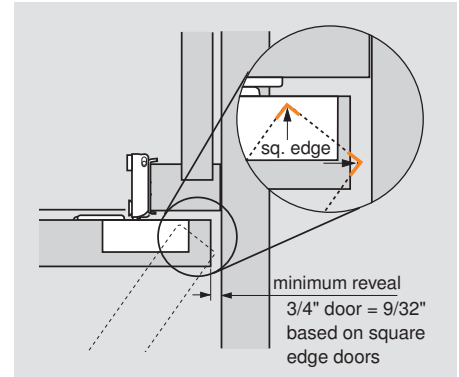


Features

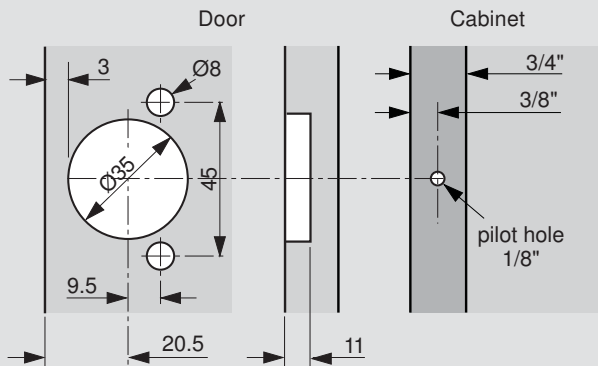
- BLUMOTION soft close integrated into the hinge cup
- Deactivation switch for small/light doors
- Overload safety feature
- One-piece wraparound hinge
- Edge mount available in 1/2" overlay
- 7/16" cup depth
- Press-in hinges must be inserted with knock-in tool or COMPACT insertion ram



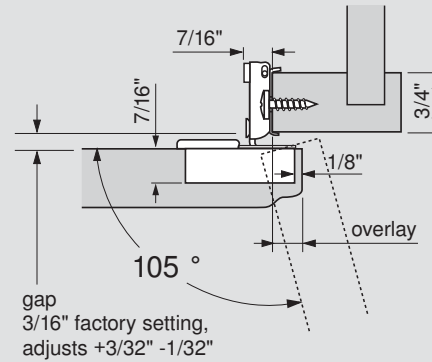
Minimum reveal



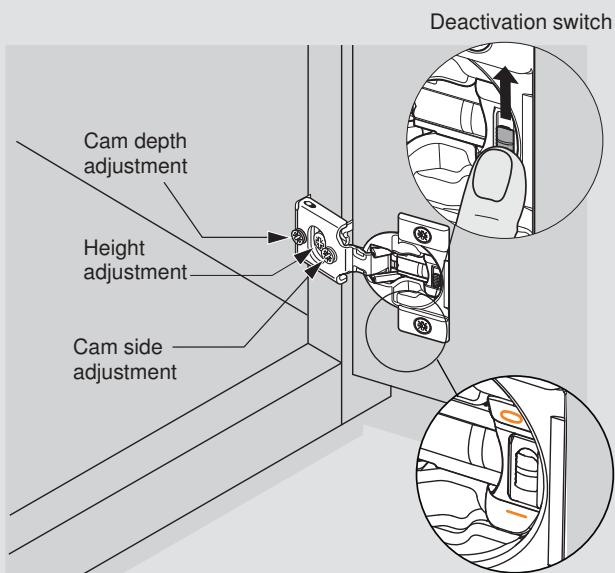
Boring pattern



Dimensions

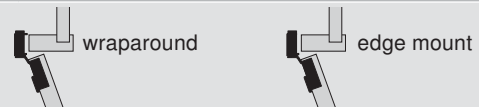


Adjustment



NOTE: COMPACT BLUMOTION comes in the activated position, marked with a "1". The deactivated position is marked with a "0".

Wraparound and Edge mount hinges



Overlay	Door protrusion	Screw-on	Press-in
5/16"	5/16"		38N358B.05
3/8"	1/4"	38N355B.06	38N358B.06
1/2"	1/8"	38N355B.08	38N358B.08
* 1/2"	1/8"	38N355BE08	38N358BE08
5/8"	0	38N355B.10	38N358B.10
3/4"	0	38N355B.12	38N358B.12

* Available as edge mount hinge

Installation screw

Truss head screw	834TH
------------------	--------------

Accessories

Angle restriction clip	38C315B3
Hinge cup spacer	38C355B9
* Blank cover cap	38N3508B

* See page 10 for additional cover cap options