

COMPACT BLUMOTION 39C hinges for full overlay

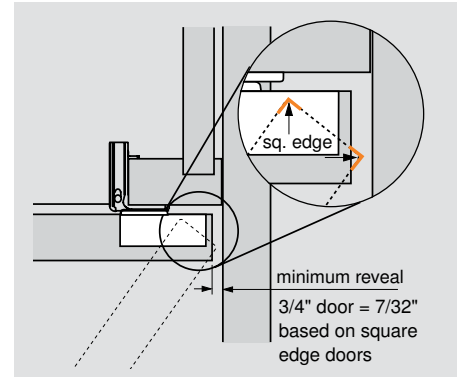


Features

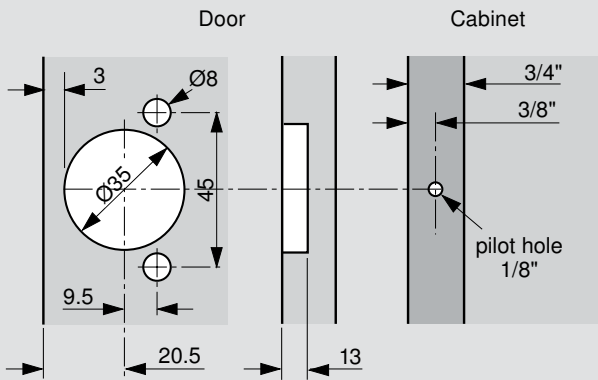
- BLUMOTION soft close integrated into the hinge cup
- Deactivation switch for small/light doors
- Overload safety feature
- One-piece wraparound hinge
- 1/2" cup depth
- Press-in hinges must be inserted with knock-in tool or universal insertion ram



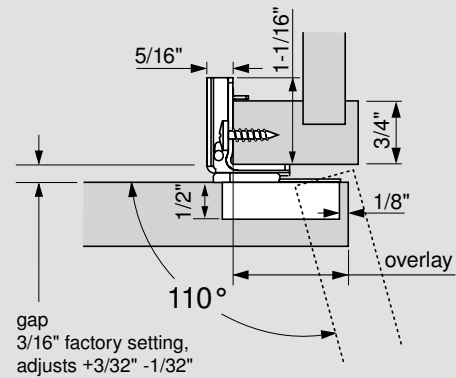
Minimum reveal



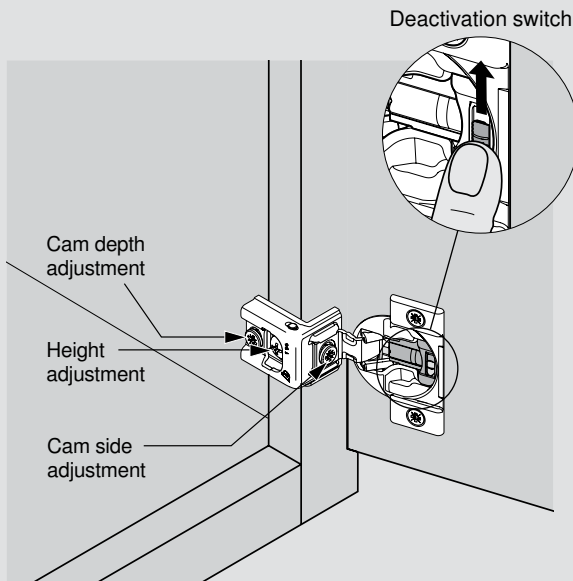
Boring pattern



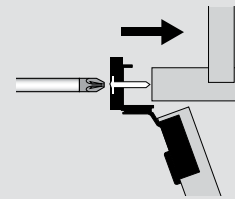
Dimensions



Adjustment



Wraparound hinges



Overlay	Screw-on	Press-in
1"	39C355B.16	39C358B.16
1-1/4"	39C355B.20	39C358B.20
1-5/16"	39C355B.21	39C358B.21
1-3/8"	39C355B.22	39C358B.22
1-9/16"	39C355B.25	39C358B.25

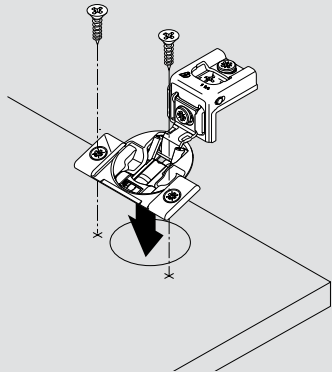
Accessories

Type 17 truss head screw	834TH
Angle restriction clip	38C315B3
Hinge cup spacer	38C355B9
Cover cap	38C3508

Hinge attachment

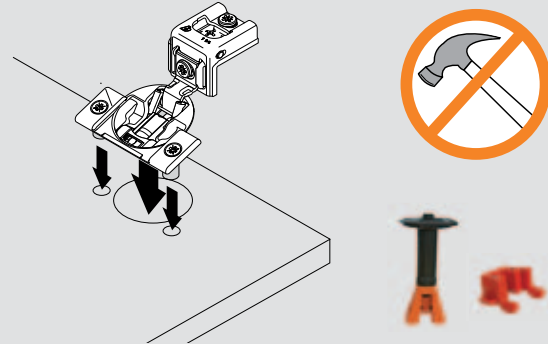
Screw-on

Use #6 wood screws



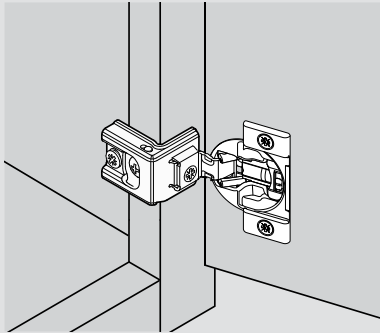
Press-in

Pre-attached Ø8 dowels installed with Blum knock-in tool or MINIPRESS with universal insertion ram

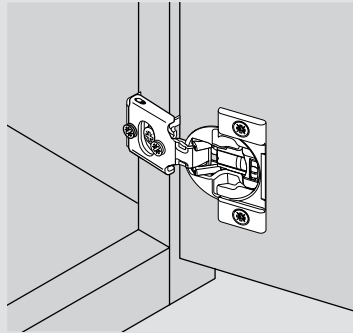


Mounting plate attachment

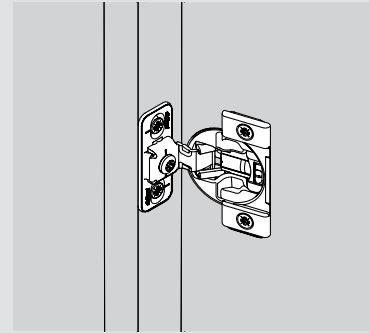
39C/38C series – wraparound



38N series – wraparound

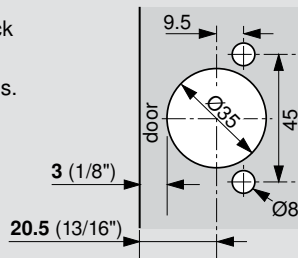


38B series – face mount



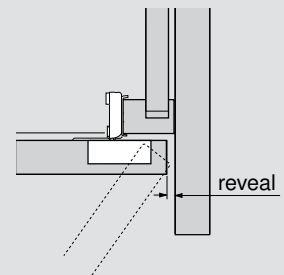
Hinge cup centerpoint

Hinge cup centerpoint and MINIPRESS/MINIDRILL setback position is **20.5 (13/16")** for COMPACT BLUMOTION hinges.



Minimum reveal

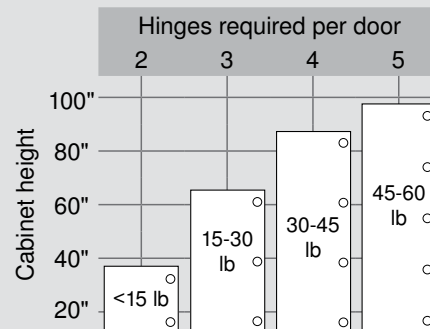
A minimum reveal per door is required to keep the door from binding and varies depending on door thickness (see minimum reveal table for each hinge).



Hinges per door

This chart can serve as a guide for determining the number of hinges per door. Note that door weight can also determine the number of hinges required.

NOTE: The distance between the top and bottom hinges must be greater than the width of the door

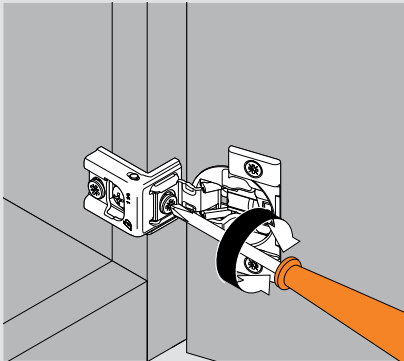
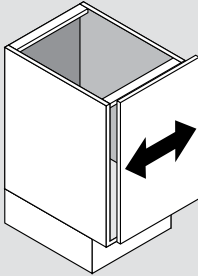


Door adjustment

Three-dimensional adjustment

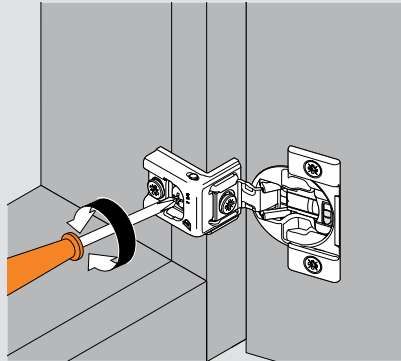
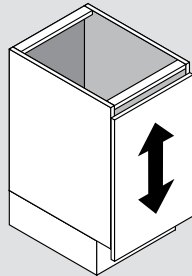
Side adjustment

Rotate the front cam screw to increase or decrease door overlay (+/- 1/16").



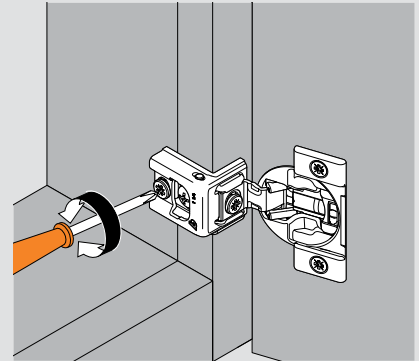
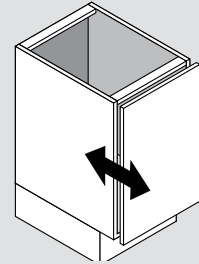
Height adjustment

Loosen installation screws to adjust door position (+/- 1/8"), then retighten.



Depth adjustment

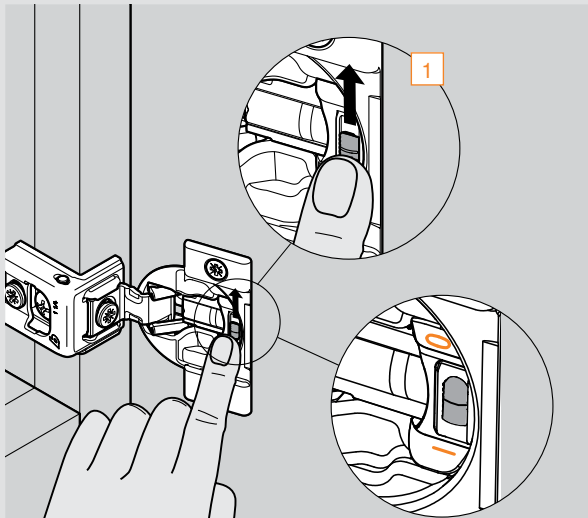
Rotate the rear cam screw to adjust door gap (+ 3/32", - 1/32").



BLUMOTION deactivation

Switch on the hinge cup

For small or light doors, the BLUMOTION can be deactivated on one of the hinges. COMPACT BLUMOTION comes in the activated position, marked with a "1". The deactivated position is marked with a "0".



Door must be closed once for the deactivation to be complete. To reactivate, move switch back to the original position "1".

