

Docking Drawer®

Blade Series Tear Sheet

BLADE COMPACT VANITY OUTLET
2012-150-X21

Revision 1



Docking Drawer is the market leader of in-drawer outlets, offering ETL-Listed solutions unmatched in safety, quality, and function.

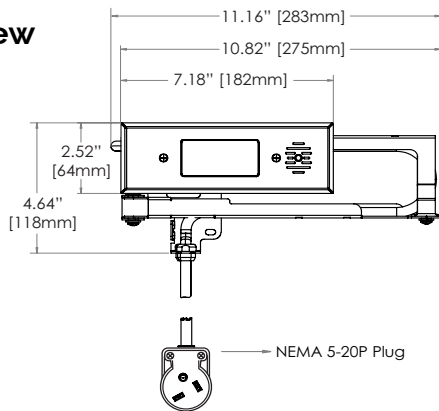
The Compact Vanity Outlet is our most narrow configuration at just over 11" wide, meticulously engineered to fit seamlessly into compact vanity drawers. Featuring a premium all-metal design, cable management arms that guide and protect the power cord as the drawer opens and closes, and an interlocking thermostat that automatically cuts power if temperatures exceed 120°F, this solution delivers unparalleled safety and specification ease for vanity drawer applications. Install into vanity drawers to eliminate cord and device clutter from surfaces and create safer, more organized and inspirational spaces.

Blade Series Blade Compact Vanity Outlet 2012-150-X21

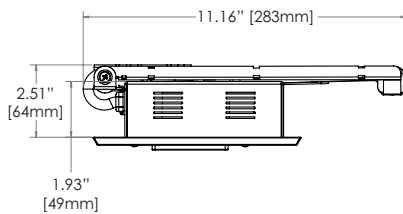
Outlet Dimensions

Outlet Width	11.16" (283mm)
Outlet Height	4.64" (118mm)
Outlet Depth	2.5" (64mm)
Receptacle Box Depth	1.93" (49mm)
Cover Plate Height	2.52" (64mm)
Cover Plate Width	7.18" (182mm)

Front View



Top View



Outlet Specifications



20 amps @ 120 VAC

2 AC - GFCI

Recommended Locations for the In-Cabinet Electrical Supply

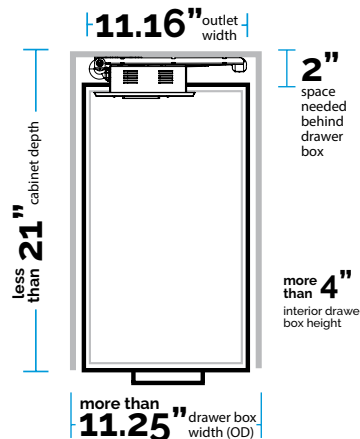


Do NOT put the electrical supply directly behind the drawer box as it may interfere with the cable management arms



Cabinet Specifications

Outlet Width	11.16"
Minimum Drawer Box Width (OD)	11.25" or more
Minimum Interior Drawer Box Height	4" or more
Minimum Space Behind Drawer Box	2" or more
Maximum Base Cabinet Depth	21" or less



Resources & Downloads

Docking Drawer provides all of the necessary resources to plan a Blade Series outlet installation. Download the following resources at dockingdrawer.com/downloads:

- Spec Book
- DXF, Step and Solidwork Files
- Mounting Diagrams
- Installation Instructions

Ready to Order?

Source directly from Docking Drawer or from one of our distribution partners. [Learn more.](#)

Project Name:

Where to Source: Docking Drawer Distributor

Lead Time - 2 weeks Freight - FOB San Ramon Warranty - 5 Years [Terms & Conditions](#)