



SPACE STEP



Transform previously unused toe kick space with SPACE STEP. This innovative solution not only enhances storage possibilities, but also serves as a discreet step. Whether gaining access to high cabinets or using as a convenient seat to put on shoes, the potential is limitless.

- Enables access to storage in wall cabinets
- Creates additional storage space in the drawer underneath the step
- Can be combined with all Blum box and runner systems
- Can be combined with all motion technologies
- Features anti-slip system
- Supports a maximum load of 330 pounds
- Flexible to be utilized in different applications throughout the home

Versatility in Application

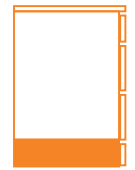
Made to fit a variety of applications, SPACE STEP can be used in three different toe kick designs.



Recessed toe kick



Recessed low toe kick



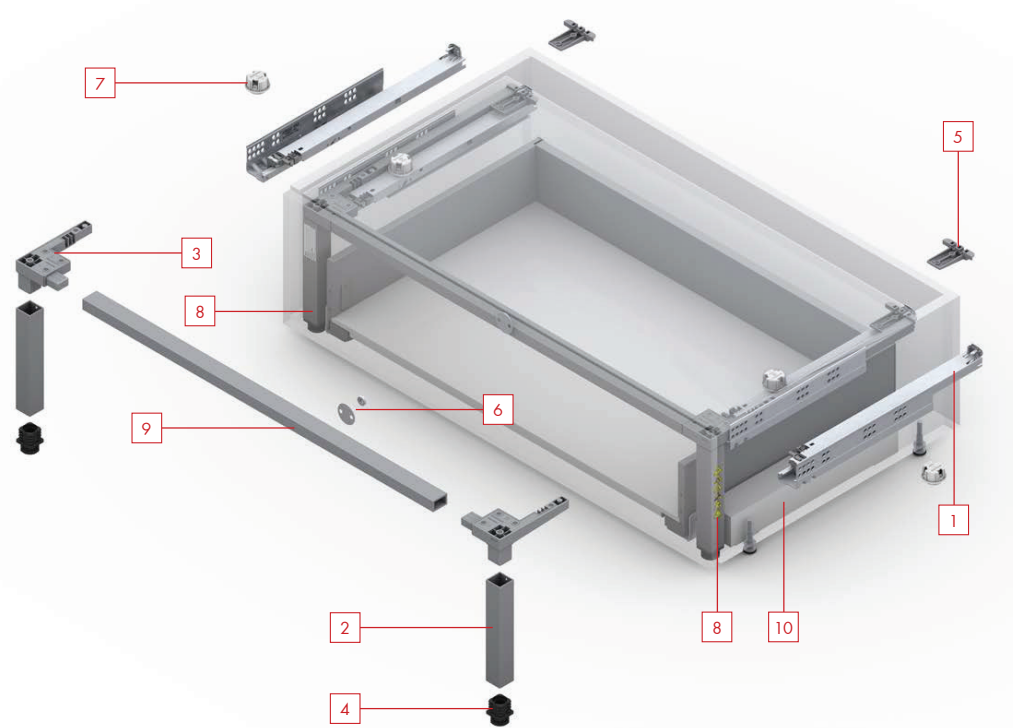
Flush toe kick

Source Code: LP2059

Würth Louis and Company • (800) 422-4389 • www.wurthlac.com

OPT-OUT INFORMATION: You may request Würth Louis and Company not to send any future advertisements to a telephone facsimile machine or machines. Failure to comply with such a request in the form prescribed by law, within the shortest time prescribed by law not to exceed 30 days, is unlawful. If you wish to discontinue future fax advertisements from Würth Louis and Company, Please send your request by Email to: creditdepartment@wurthlac.com, or by Fax to: 800-944-7494 or by Calling: 800-444-0043 option 2. Your request should specify the telephone numbers or numbers of each telephone facsimile machine to which the request relates.

Blum SPACE STEP Ordering Information



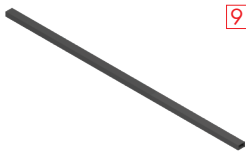
Consisting of:

- 1 2 x TANDEM 561Hxxx1B95 left/right
- 2 2 x vertical support
- 3 2 x corner connector
- 4 2 x support foot
- 5 2 x rear panel bracket
- 6 1 x front connector set (magnet and catch plate)
- 7 4 x spring bumper*
- 8 2 x sticker (safety information and manufacturer information)
- 14 x flat head screw (4 mm x 15 mm)
- 1 x installation instructions

* Recommendation: For outside cabinet widths greater than 900 mm (35-7/16"), we recommend using all four spring bumpers.

SPACE STEP Set

Item #	Description
BZ95.4100	SPACE STEP set for 425 mm (16-3/4") length step
BZ95.4600	SPACE STEP set for 475 mm (18-11/16") length step

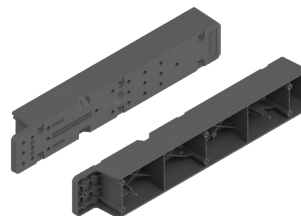


9 Horizontal Aluminum Profile

Cutting dimensions:
 Inside cabinet width - 130 mm (5-1/8")
 Recommendation:
 Outside cabinet width 1200 mm (47-1/4"),
 use 2 pieces to prevent excessive bending

Item

BZ95.D4100



10 Cabinet Profile/Runner Spacer (recommended)

- For mounting the runners, suitable for all Blum box and runner systems
- Two required per drawer
- Non-handed spacer

Item

BZ95.Q1040A

Würth Louis and Company • (800) 422-4389 • www.wurthlac.com

OPT-OUT INFORMATION: You may request Würth Louis and Company not to send any future advertisements to a telephone facsimile machine or machines. Failure to comply with such a request in the form prescribed by law, within the shortest time prescribed by law not to exceed 30 days, is unlawful. If you wish to discontinue future fax advertisements from Würth Louis and Company, Please send your request by Email to: creditdepartment@wurthlac.com, or by Fax to: 800-944-7494 or by Calling: 800-444-0043 option 2. Your request should specify the telephone numbers or numbers of each telephone facsimile machine to which the request relates.