

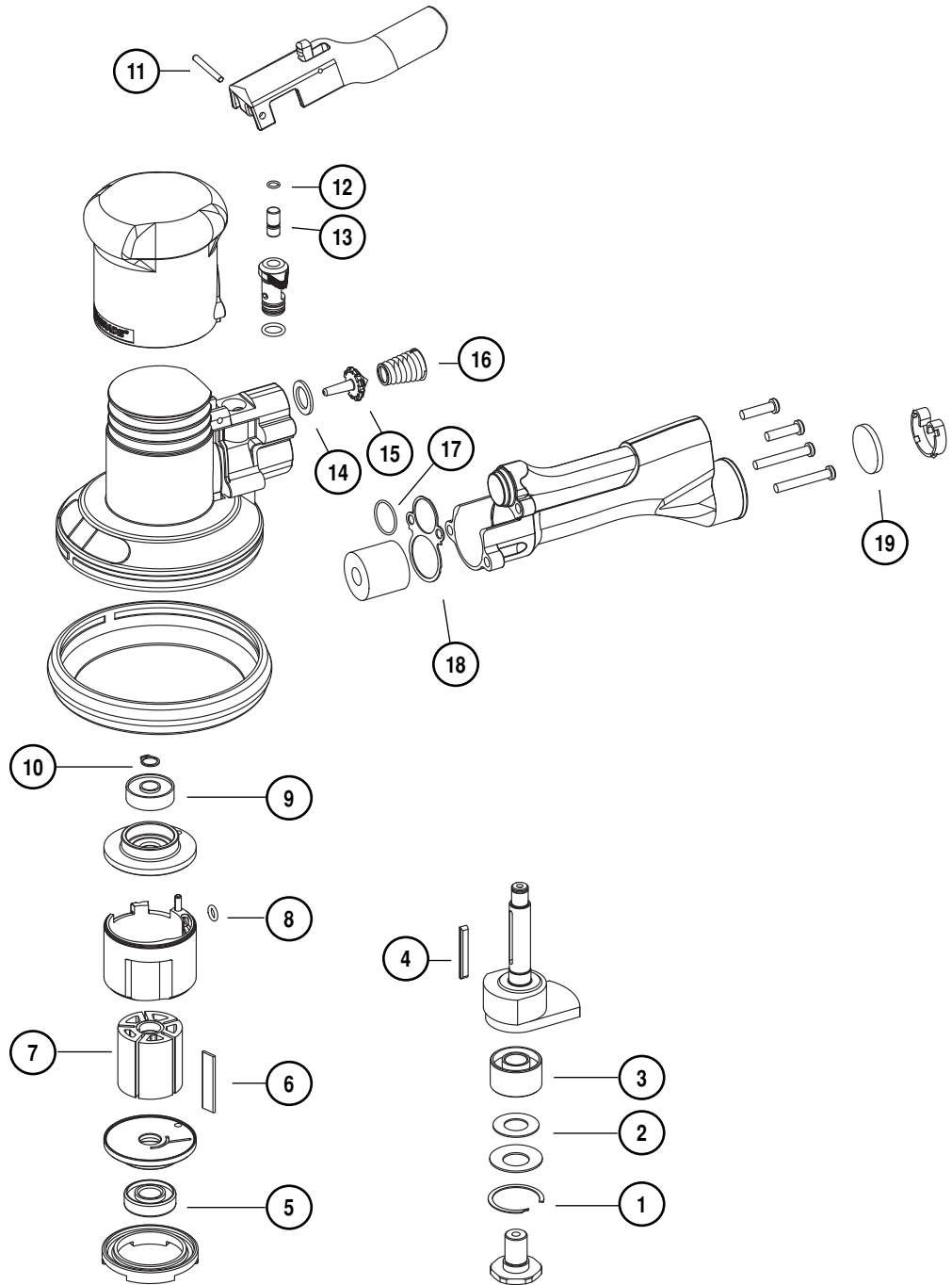
**For Use With:**  
**5" Dynabuffer**  
**5" & 6" Dynalocke™**  
**5" & 6" Random Orbital Sanders**

# 98220 Tune-Up Kit

*Air Motor and Machine Parts*

Parts included in tune-up kit are identified by part number. Not all parts are required for all tools.  
 Please refer to appropriate parts page for additional identification and disassembly/assembly instructions.

Index Key		
No.	Part #	Description
1	95630	Snap Ring
2	56053	Bearing Seal
3	56133	Bearing
4	54673	Key
5	02695	Bearing
6	54674	Blade (5/Pkg.)
7	54671	Rotor
8	95911	O-Ring
9	01206	Bearing
10	95626	Retaining Ring
11	95627	Pin
12	98459	O-Ring
13	56579	Valve Stem
14	56598	Seal
15	51944	Tip Valve
16	51943	Spring
17	96459	O-Ring
18	56469	Exhaust Gasket
19	56597	Muffler



**DYNABRADE, INC.**

[www.dynabrade.com](http://www.dynabrade.com)

8989 Sheridan Drive • Clarence, NY 14031-1490 • Phone: 716-631-0100 • Fax: 716-631-2073 • International Fax: 716-631-2524

©DYNABRADE, INC., 2014

PRINTED IN USA

PD04.07\_rev.2\_01/14

