

# 98221 Tune-Up Kit

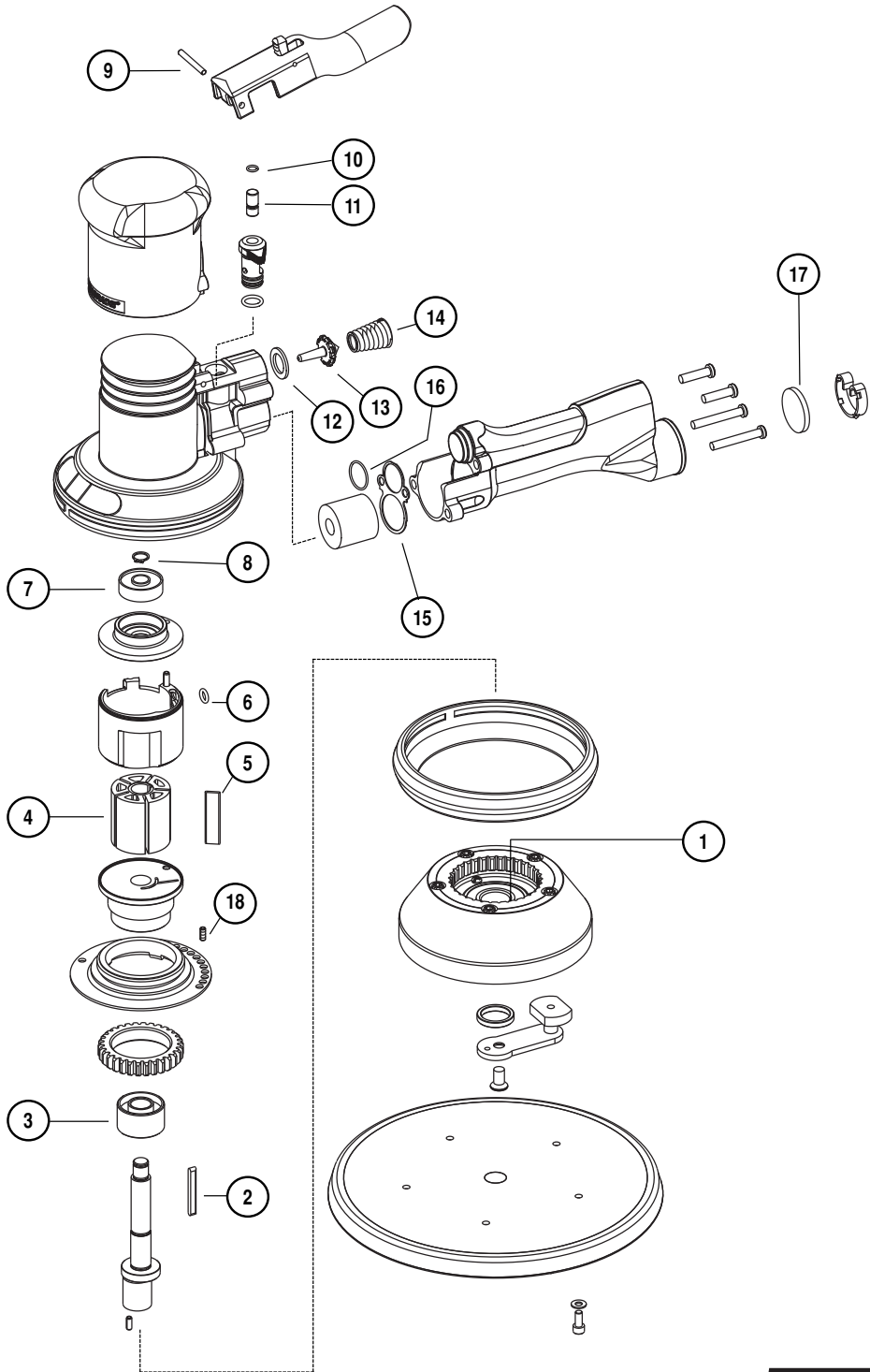
**For Use With:**

**5", 6" & 8" Gear-Driven Sanders**  
**8" Random Orbital Sanders**

*Air Motor and Machine Parts*

Parts included in tune-up kit are identified by part number. Not all parts are required for all tools.  
 Please refer to appropriate parts page for additional identification and disassembly/assembly instructions.

Index Key		
No.	Part #	Description
1	96423	Bearing
2	54673	Key
3	56133	Bearing
4	54671	Rotor
5	54674	Blade (5/Pkg.)
6	95911	O-Ring
7	01206	Bearing
8	95626	Retaining Ring
9	95627	Pin
10	98459	O-Ring
11	56579	Valve Stem
12	56598	Seal
13	51944	Tip Valve
14	51943	Spring
15	56469	Exhaust Gasket
16	96459	O-Ring
17	56597	Muffler
18	96166	Set Screw



**DYNABRADE, INC.**

[www.dynabrade.com](http://www.dynabrade.com)

8989 Sheridan Drive • Clarence, NY 14031-1490 • Phone: (716) 631-0100 • Fax: 716-631-2073 • International Fax: 716-631-2524

©DYNABRADE, INC., 2016

