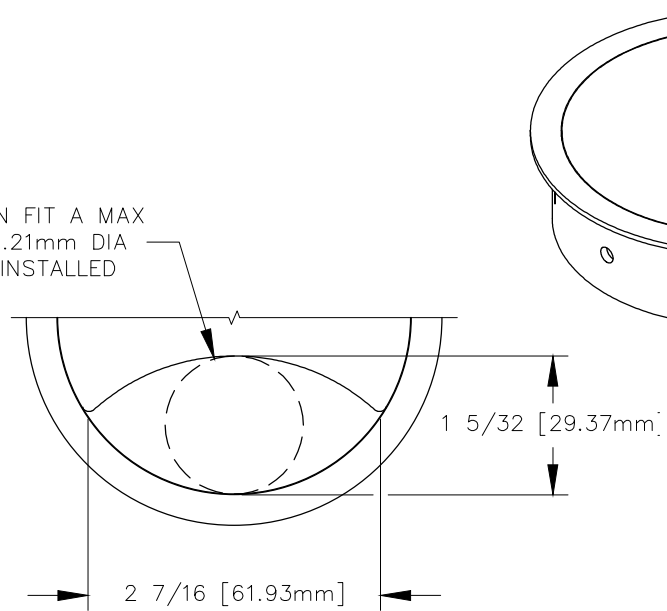
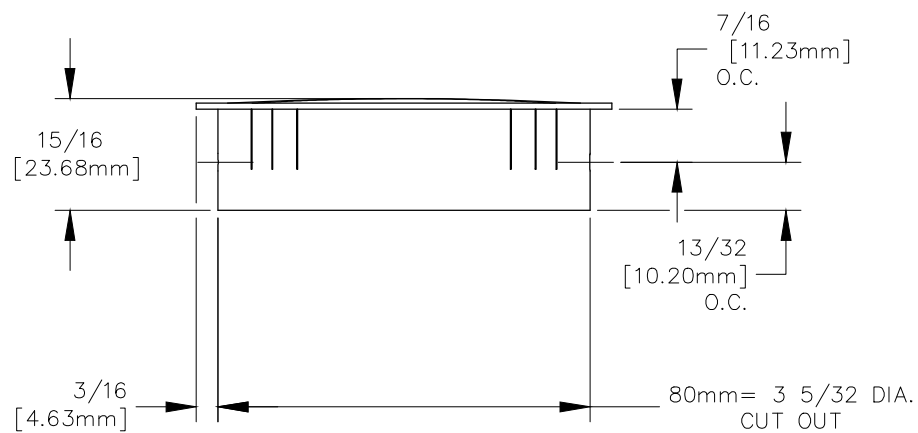
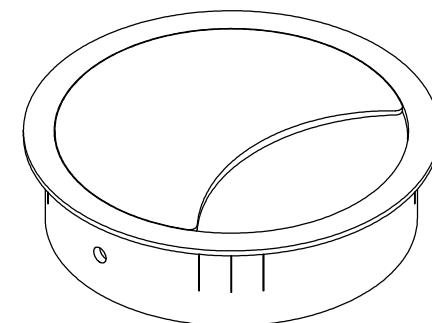


TOP VIEW

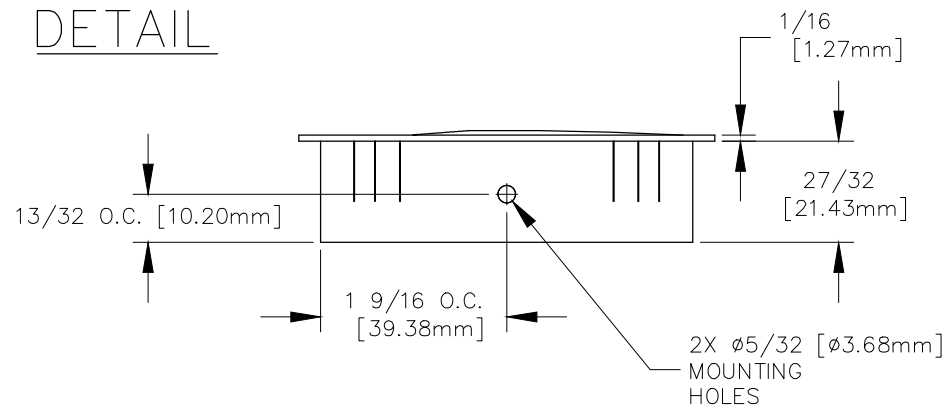
OPEN SLOT CAN FIT A MAX
 $\phi 1 \frac{5}{32}$ [29.21mm DIA
 CORD WHEN INSTALLED



DETAIL



FRONT VIEW



RIGHT VIEW