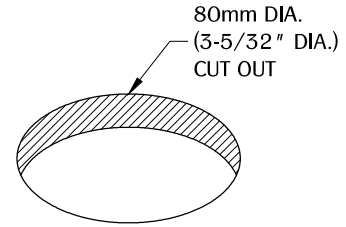
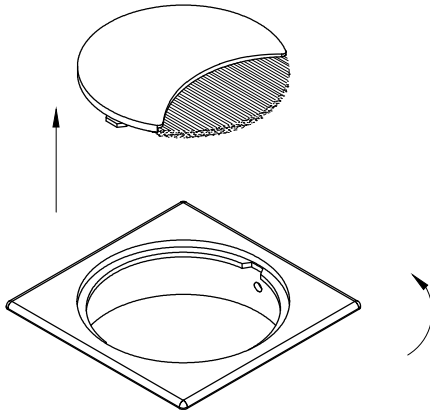


1



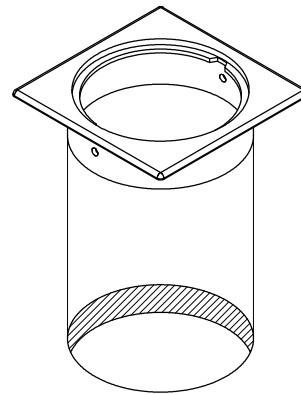
Make a cut out on the desired surface. (Note: We do not recommend cutting before receiving part or part sample.)

2



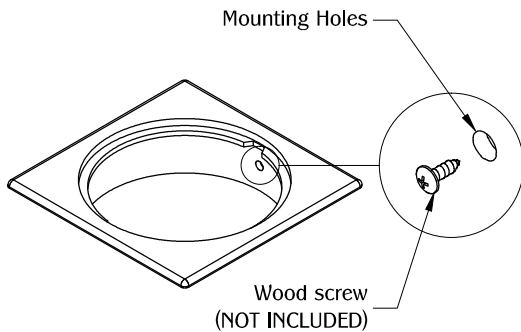
Remove BRV2/SQ lid by rotating the cap to match locking grooves and lifting from the brush opening.

3



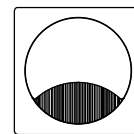
Install BRV2/SQ into the cut out and be sure it is fully leveled onto work surface.

4

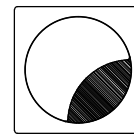


Use (2) Wood screws through the BRV2/SQ mounting holes to secure on to the table top.

### OPERATION PROCEDURES



180 DEGREES TO UNLOCK



45 DEGREES TO LOCK



### TABLE OF CONTENTS:



.....1 X BRV2/SQ