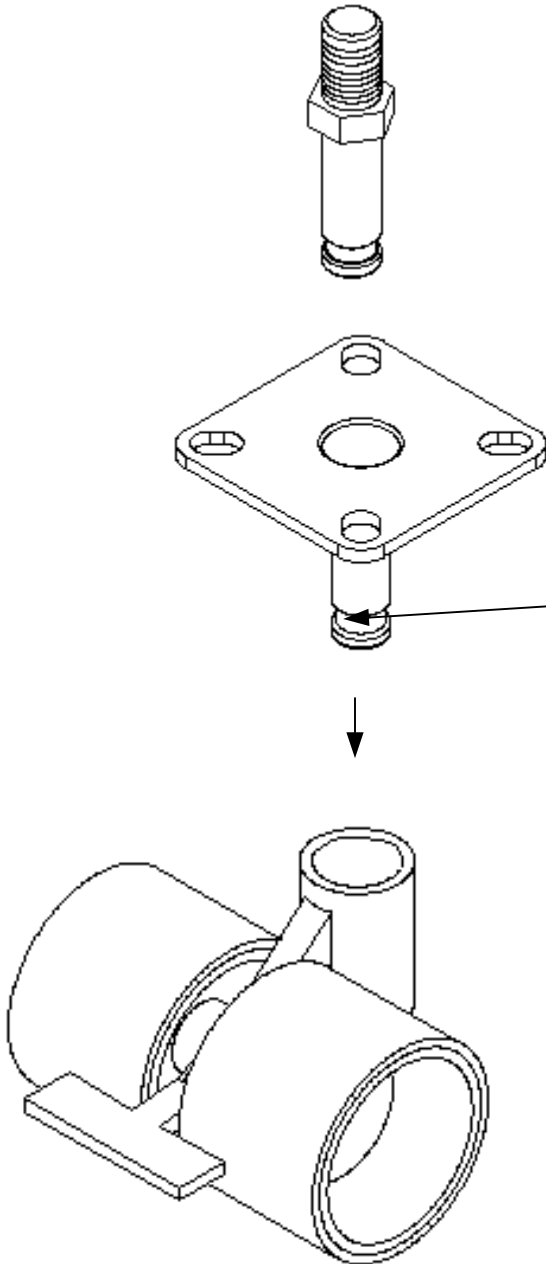


INSTALLATION SHEET



Apply grease to the bottom of top plate or stem.

	CA39	CA40
STEM	10MM	10MM
	1.5 THREAD	1.5 THREAD
HEIGHT	1-3/4"	1-3/4"
STEM	OVERALL HT.	OVERALL HT.
PLATE	2-5/32"	2-5/32"
HEIGHT	OVERALL HT.	OVERALL HT.
WEIGHT	PER CASTER	PER CASTER
CAPACITY	65	65