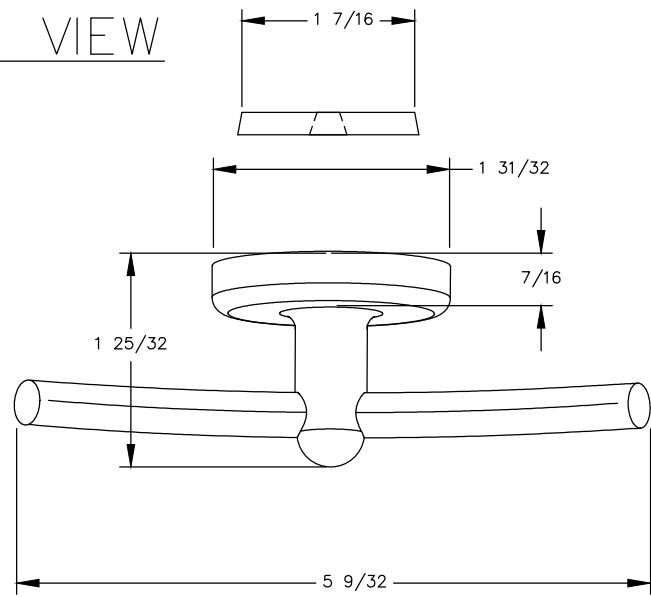
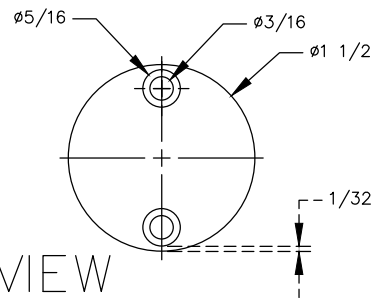
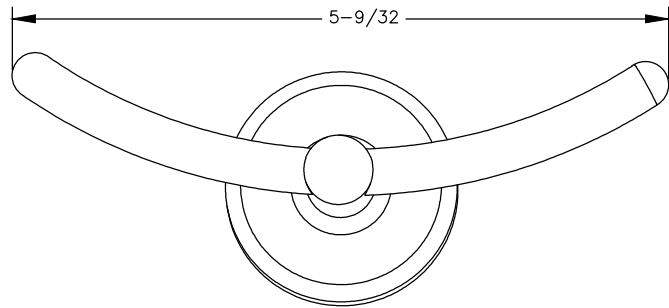
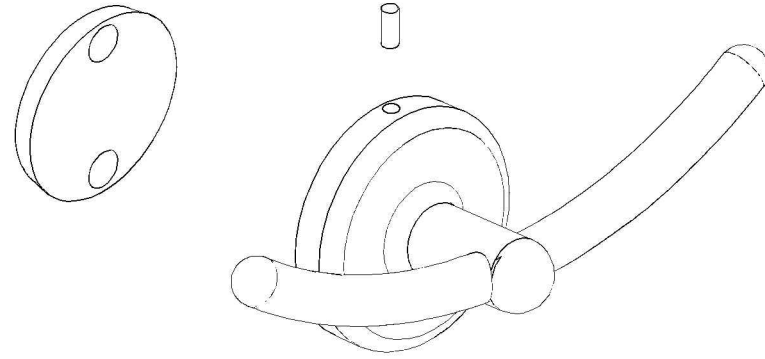


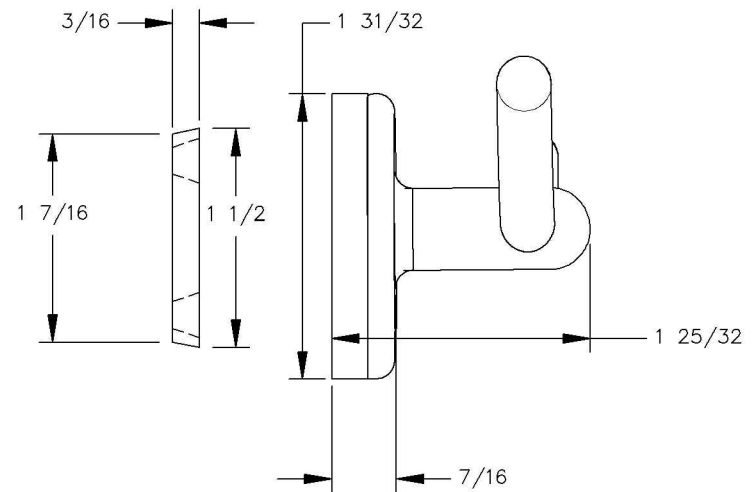
TOP VIEW



CH11  
2015.08.15



FRONT VIEW



SIDE VIEW

REQUESTED BY:  
-