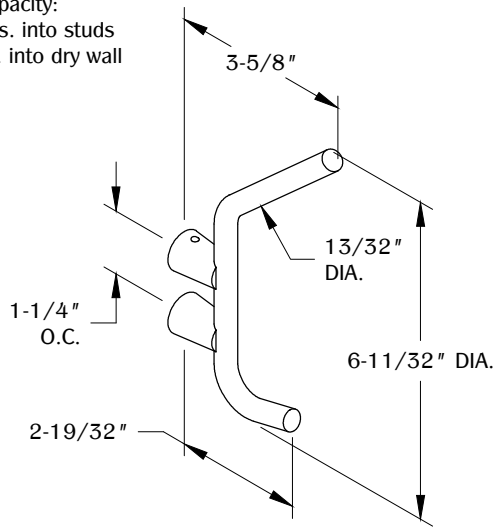
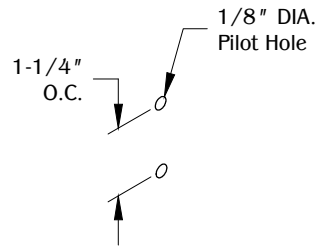


**Weight Capacity:**

- 15 lbs. into studs
- 5 lbs. into dry wall



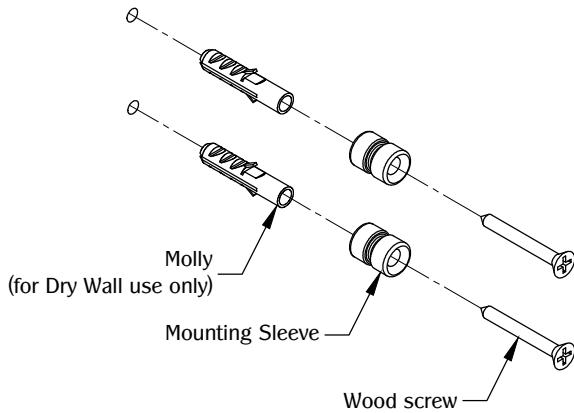
1



**NOTE:**  
Recommended installation into studs.

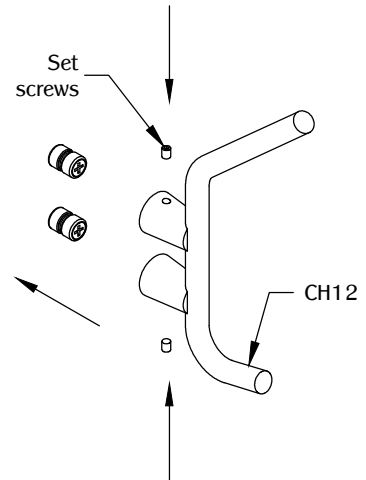
Determine the position and location of the part on the work surface. Drill a pilot hole through the work surface.

2



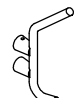
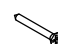


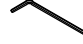

Determine the type of mounting material. (Note: Please use the molly for dry wall only.) Align the mounting sleeve to the pilot hole and secure using the wood screw.

3



Align the base of the part to the mounting sleeve. Use the hex key to secure the the assembly with (2) set screws from the top and bottom of the base.

**TABLE OF CONTENTS:**

	.....1 X CH12
	.....2 X Wood screws
	.....2 X Mounting Sleeve
	.....2 X Set screw
	.....1 X Hex Key
	.....2 X Molly