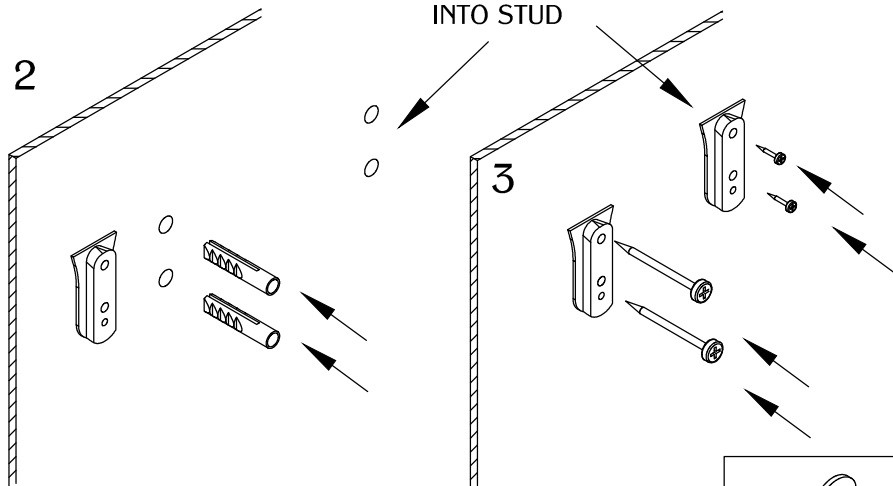
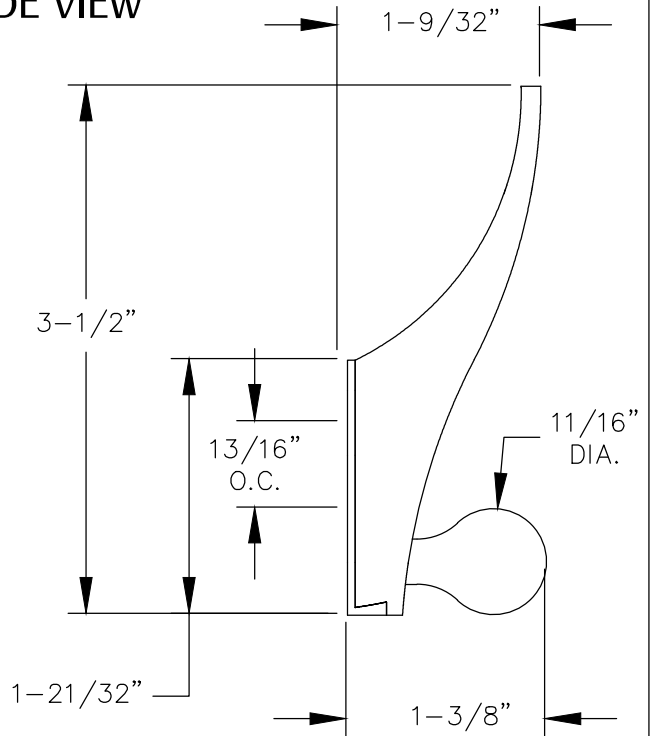


SIDE VIEW



TOP VIEW

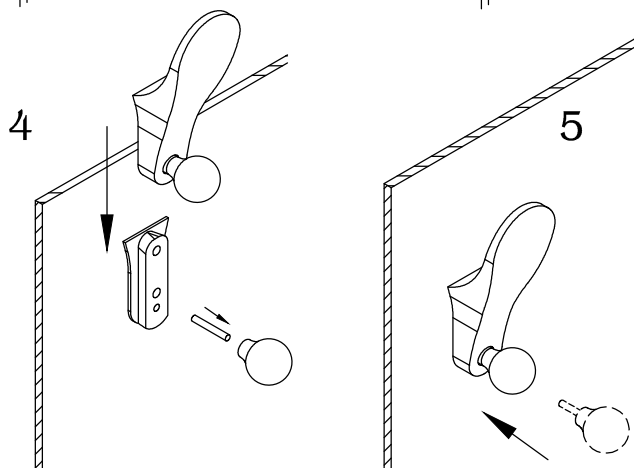
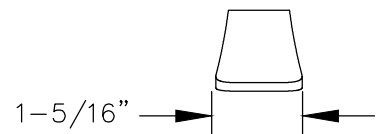
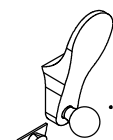
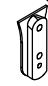



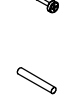


TABLE OF CONTENTS:

 1 X CH 17
 1 X BRACKET
 2 X PLASTIC ANCHOR
 2 X WOOD SCREW (DRY WALL)
 2 X WOOD SCREW (STUD WALL)
 1 X SET SCREW