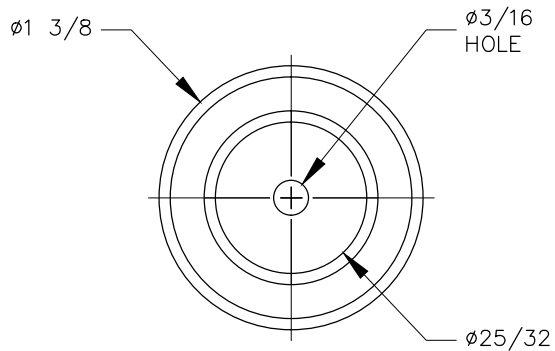
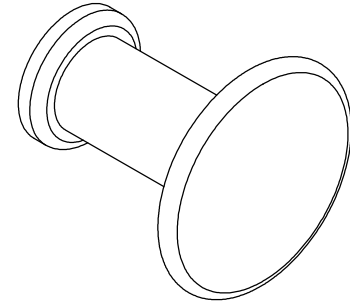


TOP VIEW



REAR VIEW

NOTES:

1. Weight Capacity is 25 lbs.
2. Must install into studs or use drywall anchor.

PART NAME: CH23		DRAWN BY: FM	LAST EDITED: FM	REQUESTED BY: VM	SHEET: 1 OF 1
SCALE: N.T.S.	TOLERANCE: ± 1 / 16 "	DATE: 2020.01.28	DATE: 2020.03.05 12:00am	APPROVED BY: -	