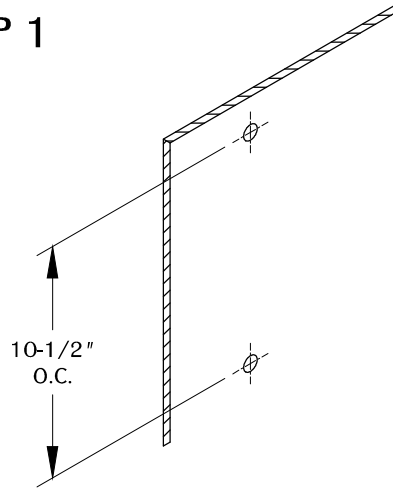


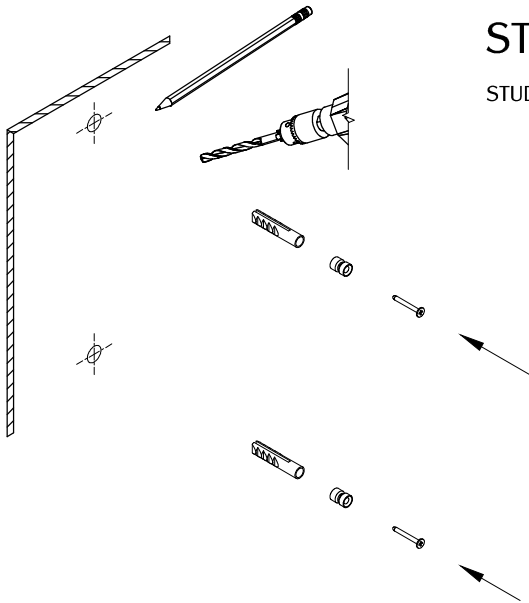
STEP 1



NOTE:
Weight Capacity: 75 lbs. per pair, when mounted into studs.

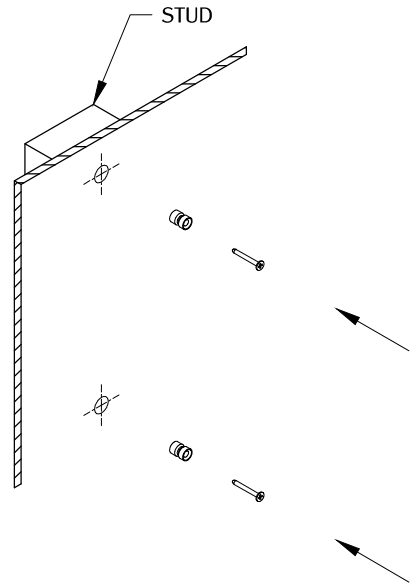
STEP 2A

DRYWALL



STEP 2B

STUD



STEP 4

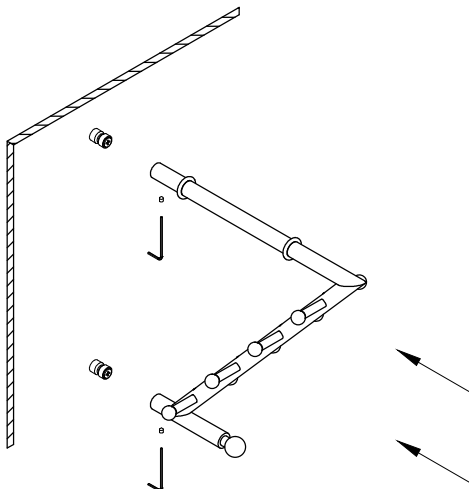


TABLE OF CONTENTS:

	1x CH45
	2x HEX SCREW
	2x BRACKET
	2x DRYWALL ANCHOR
	2x WOOD SCREW
	1x HEX KEY