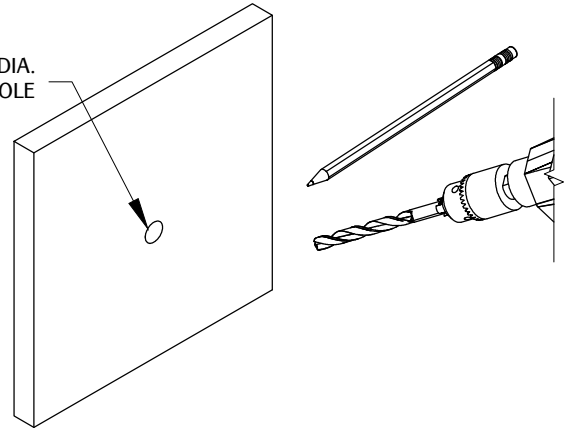
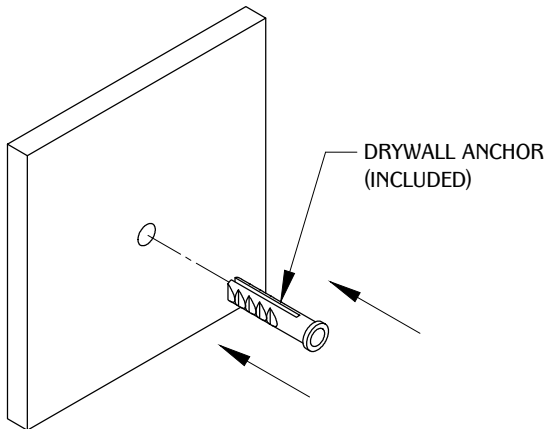


1

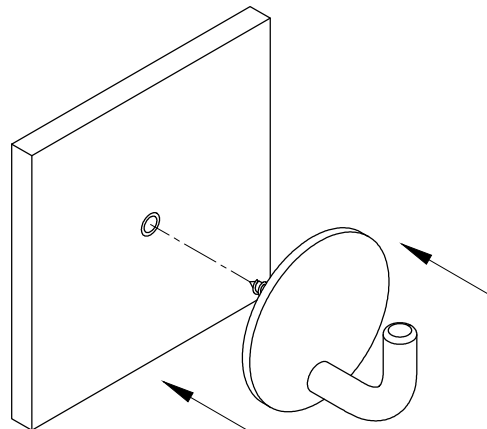
1/4" DIA.
PILOT HOLE



2



3



4

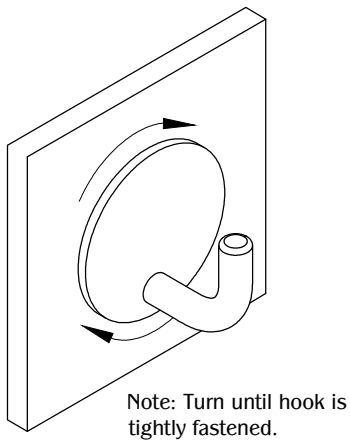
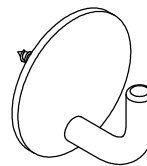


TABLE OF CONTENTS:



..... 1x CH5



..... 1x Drywall Anchor