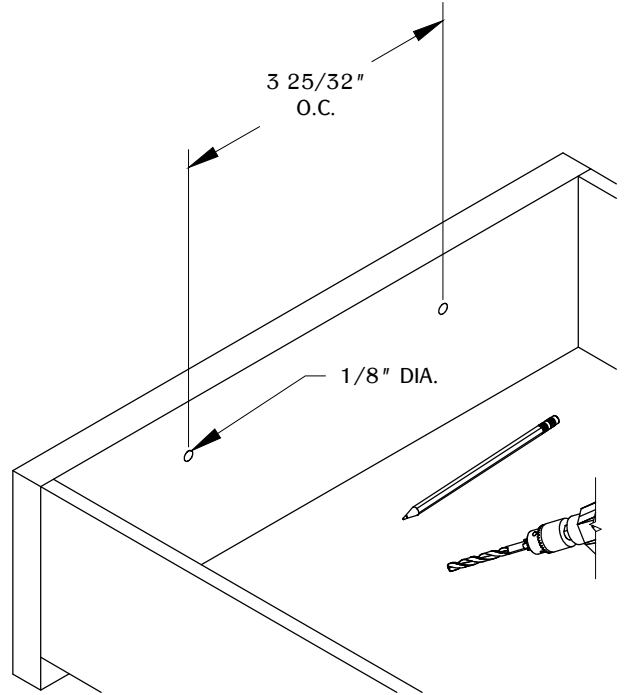
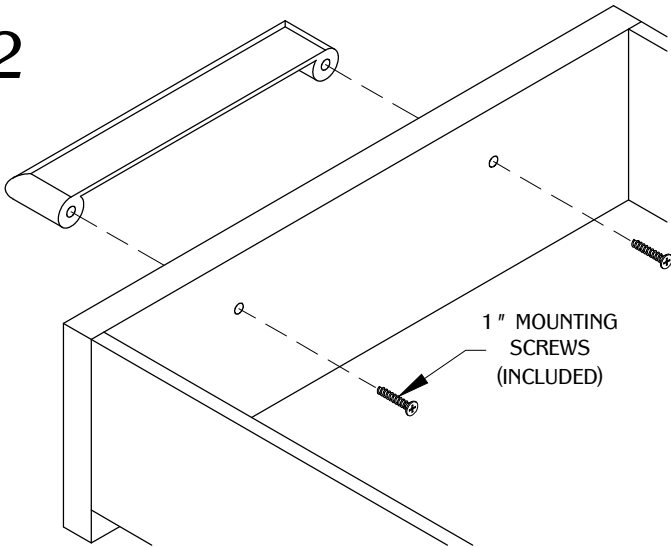


1



2



3

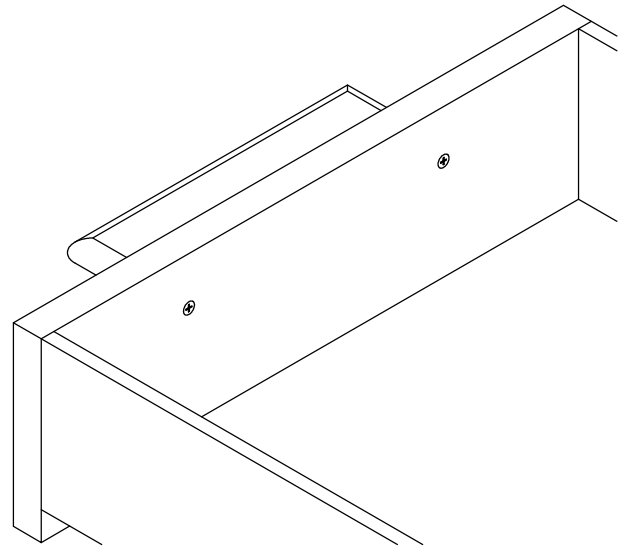
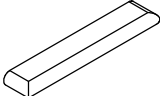



TABLE OF CONTENTS:

	..... 1x DP1
	..... 2x MOUNTING SCREWS