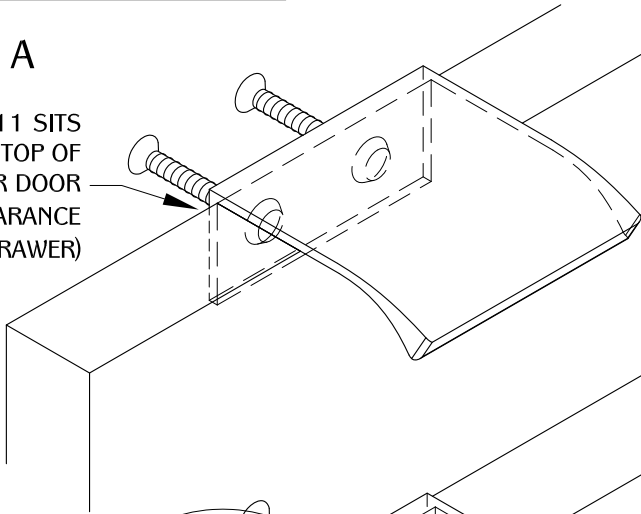


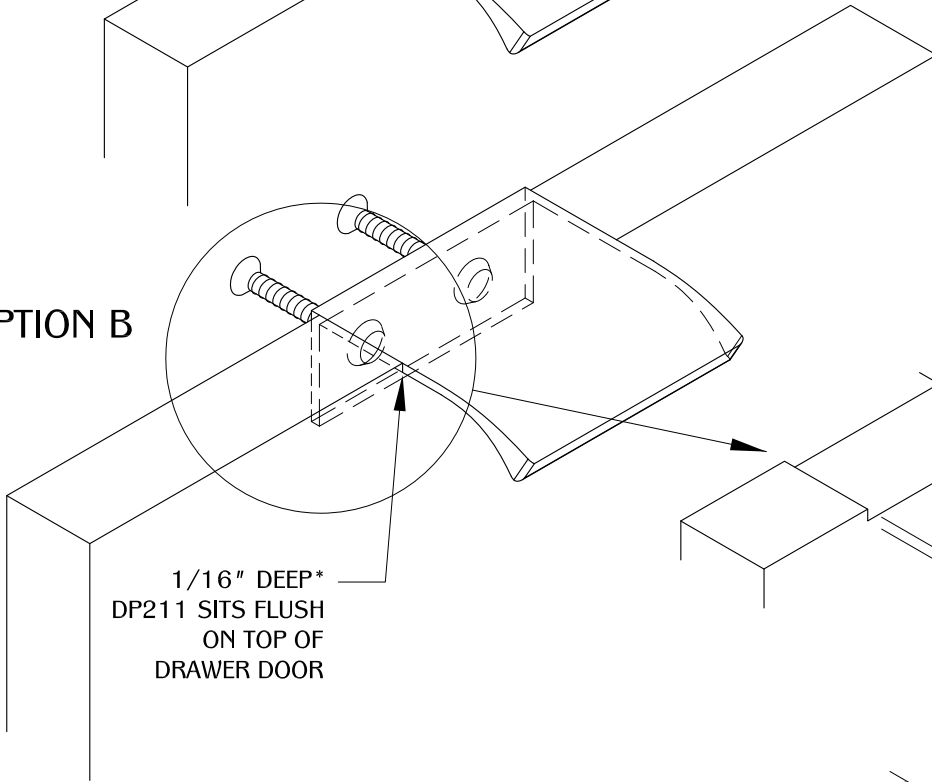
OPTION A

DP211 SITS
ON TOP OF
DRAWER DOOR
(1/16" CLEARANCE
FROM TOP OF DRAWER)



OPTION B

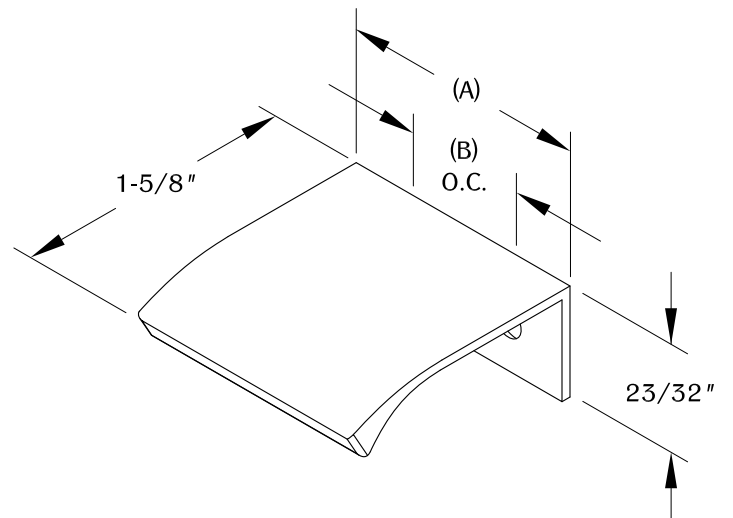
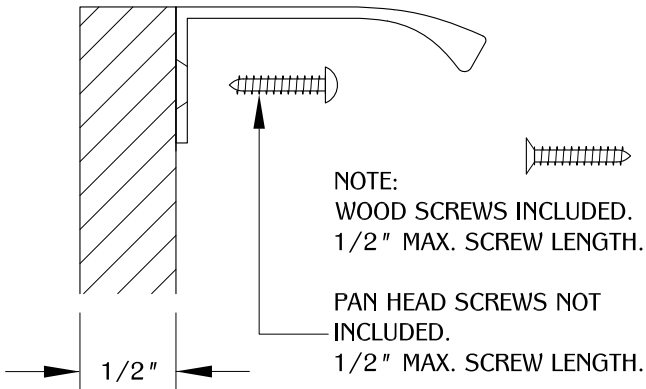
1/16" DEEP*
DP211 SITS FLUSH
ON TOP OF
DRAWER DOOR



1/16" DEEP*

* THICKNESS MAY VARY BY
1/32" WITH DIFFERENT
FINISHES.

OPTION C



NOTE:
ALL DIMENSIONS HAVE A +/- 1/32" TOLERANCE.
WE DO NOT RECOMMEND DRILLING OR CUTTING ANY
HOLES BEFORE RECEIVING A PRODUCT OR A PRODUCT
SAMPLE.

	(A)	(B)	HOLE COUNT
DP211A	1-9/16"	25/32"	2
DP211A/3	3-15/16"	2-3/8"	2
DP211B	7-7/8"	3-5/32", 3-5/32"	3
DP211C	13-25/32"	6-5/16", 6-5/16"	3