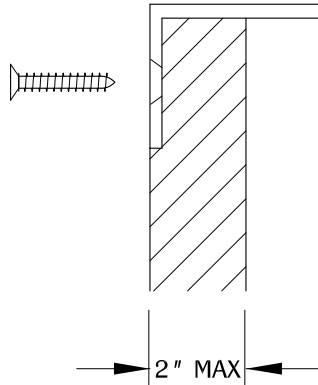
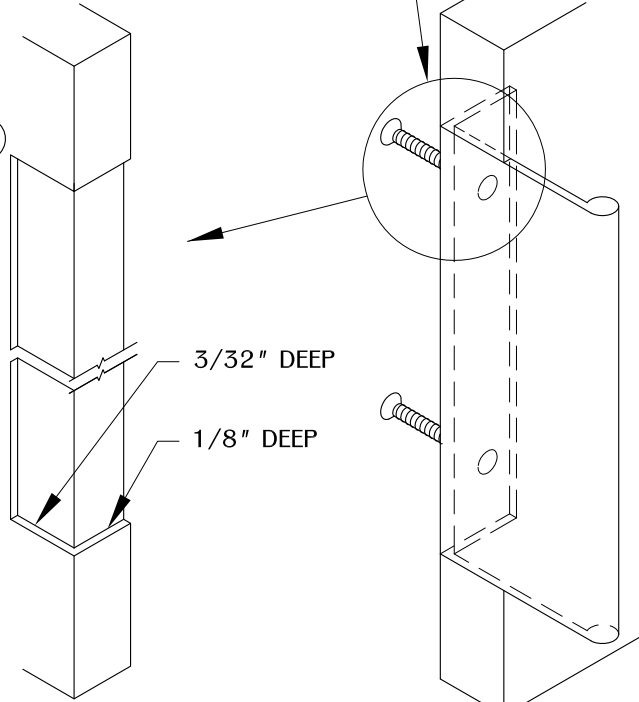


### OPTION A



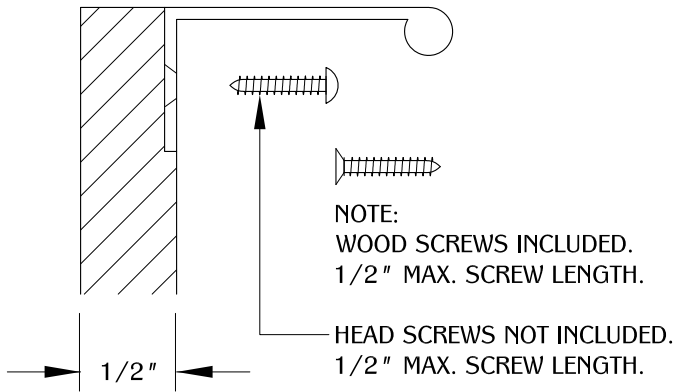
NOTE:  
WOOD SCREWS INCLUDED.  
1/2" MAX. SCREW LENGTH.

DP3 SITS FLUSH  
ON TOP/SIDE &  
REAR FACES OF  
DRAWER OR DOOR

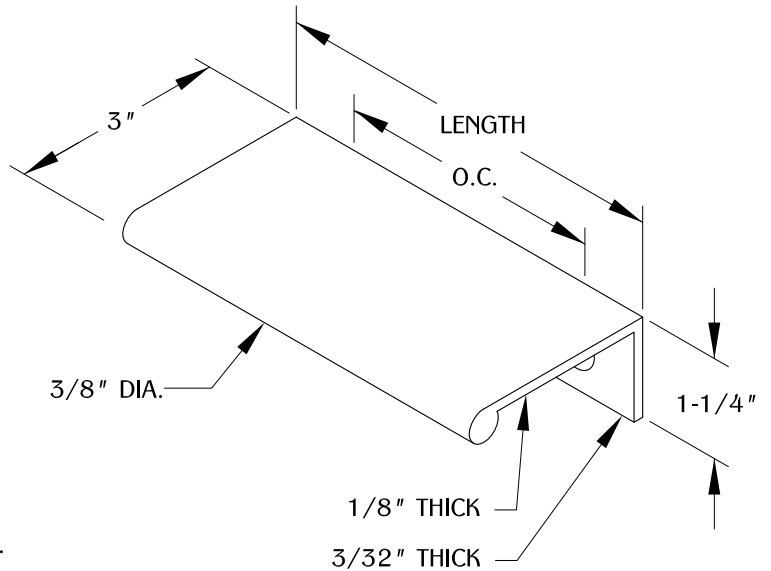


REAR FACE VIEW

### OPTION B



NOTE:  
ALL DIMENSIONS HAVE A + / - 1/32" TOLERANCE.  
WE DO NOT RECOMMEND DRILLING OR CUTTING ANY  
HOLES BEFORE RECEIVING A PRODUCT OR A PRODUCT  
SAMPLE.



PART #	LENGTH	O.C.	HOLES
DP3/DR/6	6"	4"	2
DP3/DR/8	8"	3"	3
DP3/DR/10	10"	4"	3
DP3/DR/12	12"	3-11/32"	4