

DWR3 mounts under any 17-1/4" deep surface.

Recommended for a 1" table top, if smaller you may use a different screw size.

- (1) Extend drawer unit to its fully extended length. place underneath table and push back until 5/8" from the front of the table.
- (2) Mark screw location with a pencil, 5 to 6 holes depending on which DWR you are using (You can drill a 1/8" DIA. pilot holes X 3/4" deep).
- (3) Turn drawer upside down and disengage suspension rail by pressing lever up or down. (located on the side). Install suspension rails. You could install it without disengaging drawer but you will need an assistant to install unit.

Note: use only the screws provided.

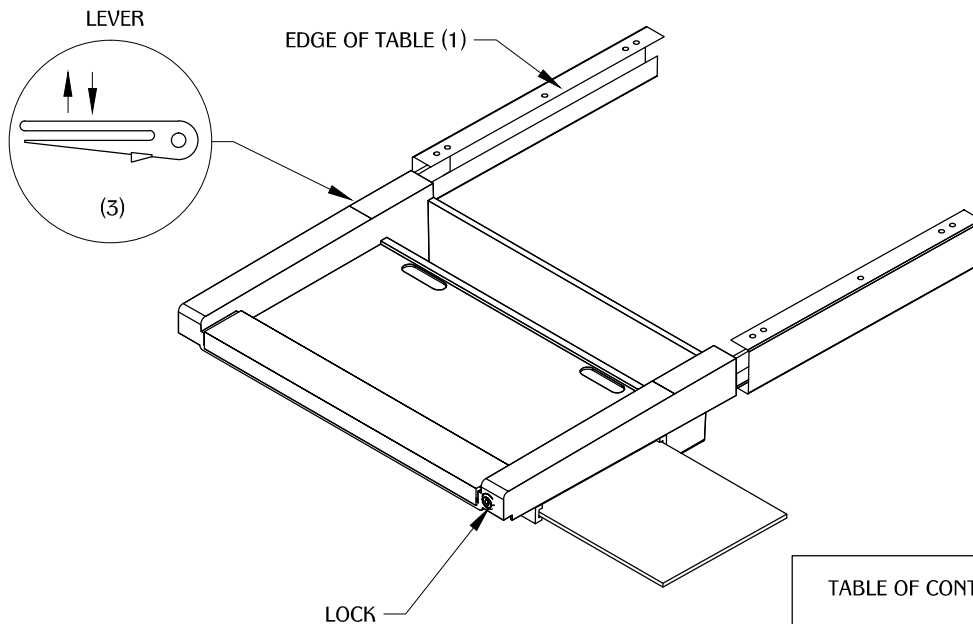
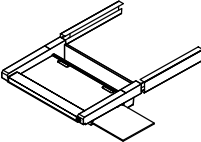



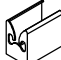


TABLE OF CONTENTS:

1 DWR3 (1 MOUSE PAD)
4 X WIRE HOLDERS
2 X LOCK KEYS
8 X WOOD SCREWS
1 X MOUSE TRAP