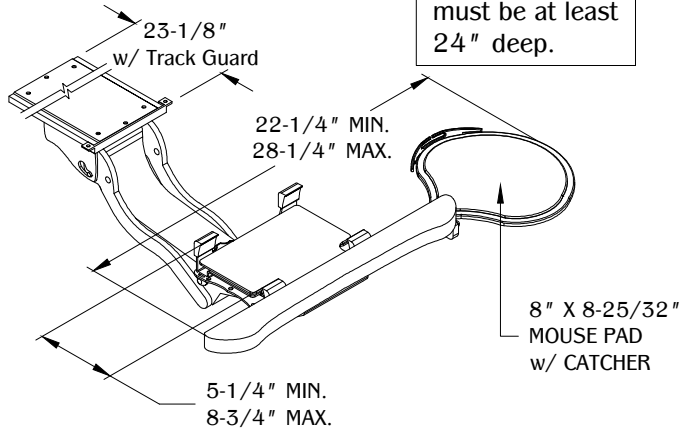


PART #

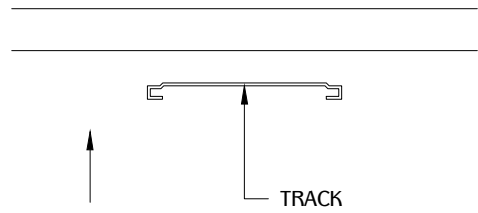
KP6/M2

310.318.2491 • 800.523.1269 • www.mockett.com

NOTE:
Work surface
must be at least
24" deep.

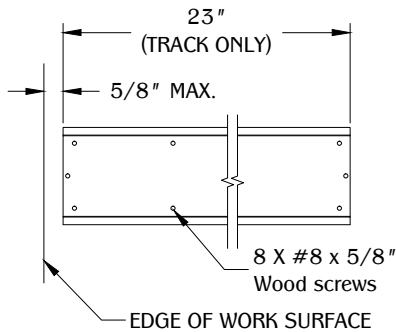


1



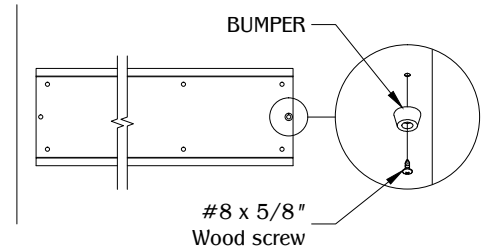
Place the track 5/8" MAX. from the edge of work surface.

2



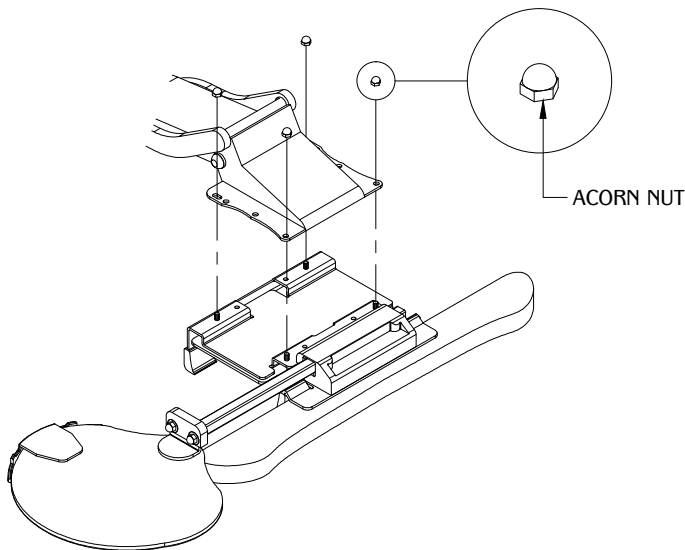
Mount the track on the underside of the work surface using (8) #8 wood screws.

3



Install the bumper at the back end of the track using a #8 wood screw.

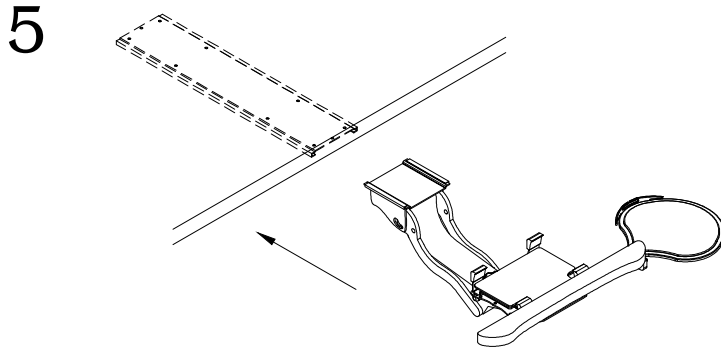
4



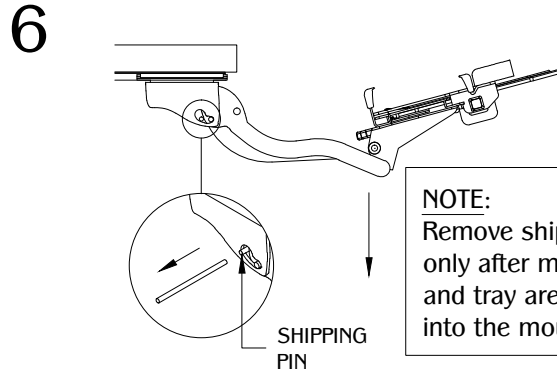
Attach the mechanism to the underside of the KP6 tray. Secure the mechanism to the tray with (4) acorn nuts.

TABLE OF CONTENTS:

1 X KP6 TRAY & MOUSE PAD
1 X MECHANISM
1 X TRACK
1 X TRACK GUARD
20 X #8 x 5/8" WOOD SCREWS
1 X BUMPER
1 X CORD CLIP
4 X ACORN NUT

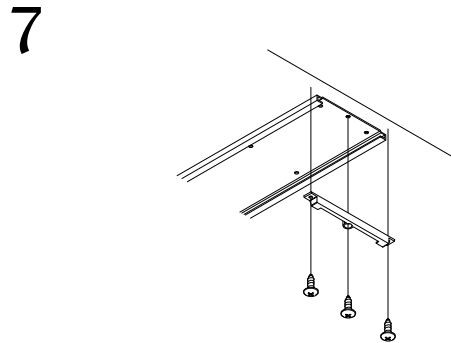


Slide the KP6 tray and mechanism into the mounted track.

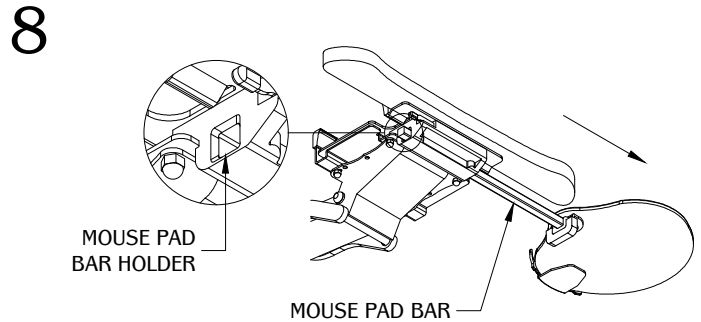


NOTE:
Remove shipping pin only after mechanism and tray are inserted into the mounted track.

Tip front of the KP6 tray up and begin to lower mechanism to relieve pressure on the shipping pin. Pull out the shipping pin.

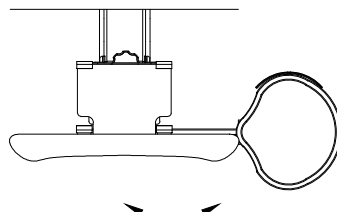
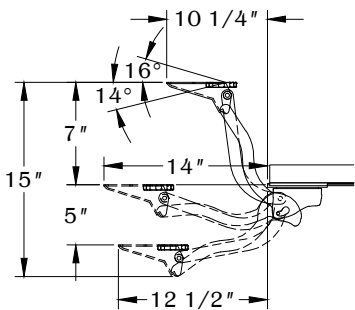


Slide the mechanism back to the bumper. Install the track guard at the front end of the track using (3) #8 wood screws.

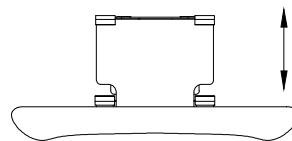


For left hand use, slide out the mouse pad bar of the KP6 from the mouse pad holder. Insert mouse pad bar on the left side.

OPERATION PROCEDURES

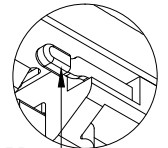


TRAY SWIVELS FROM SIDE TO SIDE



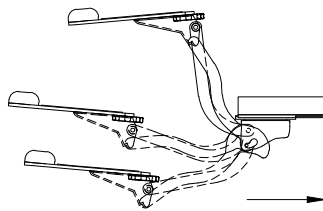
- DEPRESS KEYBOARD RELEASE LEVER TO INSTALL OR REMOVE KEYBOARD.

UNDERSIDE OF KP6



KEYBOARD RELEASE LEVER

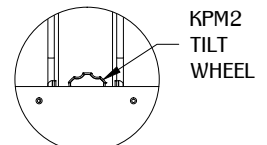
- TILT THE TRAY UP TO UNLOCK AND ADJUST TO DESIRED HEIGHT.
- TILT TRAY DOWN TO SET THE HEIGHT.



- ADJUST TO THE LOWEST HEIGHT.

- PUSH AND SLIDE UNDER DESK SURFACE TO HIDE AWAY.

- COUNTERCLOCKWISE (ADJUST TRAY UP)
- CLOCKWISE (ADJUST TRAY DOWN)



KPM2 TILT WHEEL