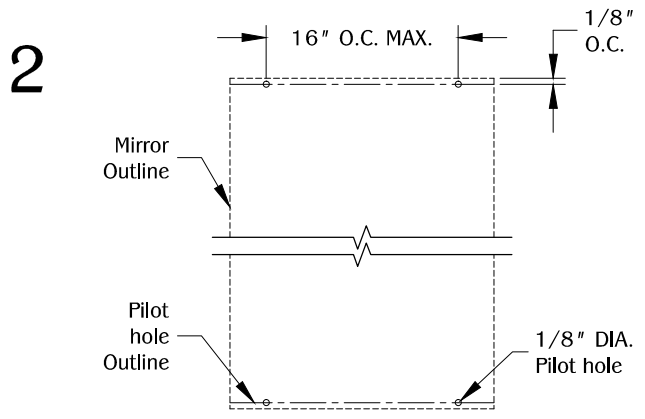
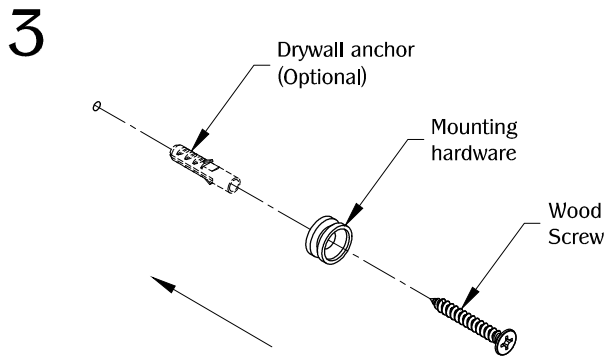


NOTE: Weight Capacity 5 lbs on drywall with plastic anchor. Weight capacity 12 lbs when mounted into stud or using HD-Anchor (recommended for bottom barrels since they will be bearing most of the weight).

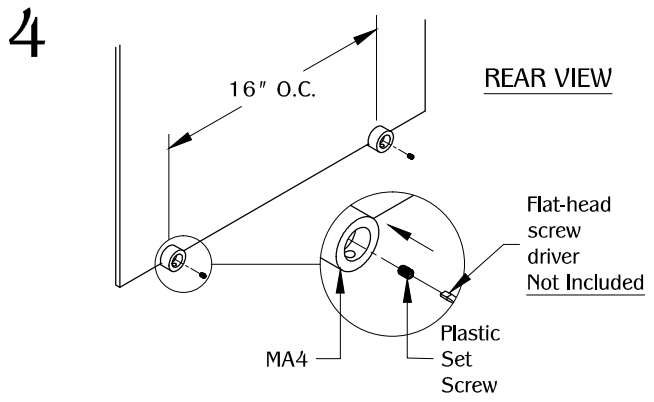
Determine the position and location of the mirror on the work surface. Level and mark the outline of the mirror with a pencil.



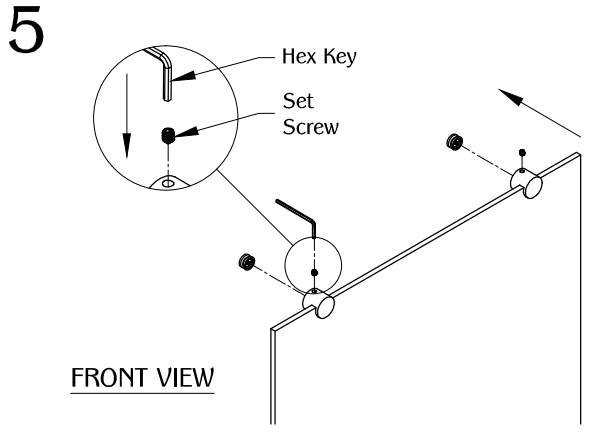
Measure 1/8" into the mirror outline and mark the desired position for the MA4. Drill (4) pilot holes recommended 16" O.C. (Note: Recommended install into studs.)



Align the (4) mounting hardware to the drilled pilot holes. (NOTE: HD-Anchor sold separately for stronger drywall weight capacity.)

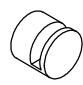









Follow the measurement in Step #2 and Install the (4) MA4 to the mirror. Secure the mirror by hand tightening the plastic set screw provided with a compatible flat-head screw driver.



Align the mirror with the MA4 to the mounting hardware. Secure the assembly with (4) set screw.

TABLE OF CONTENTS:

	.....4 X MA4
	.....4 X Drywall anchor (Optional)
	.....4 X Wall mount
	.....1 X Hex key
	.....4 X #8 Wood screw
	.....HD-Anchor (Optional & Sold separately)
	.....4 X M4 x .7 Plastic set screw
	.....4 X 10-32 Set screw