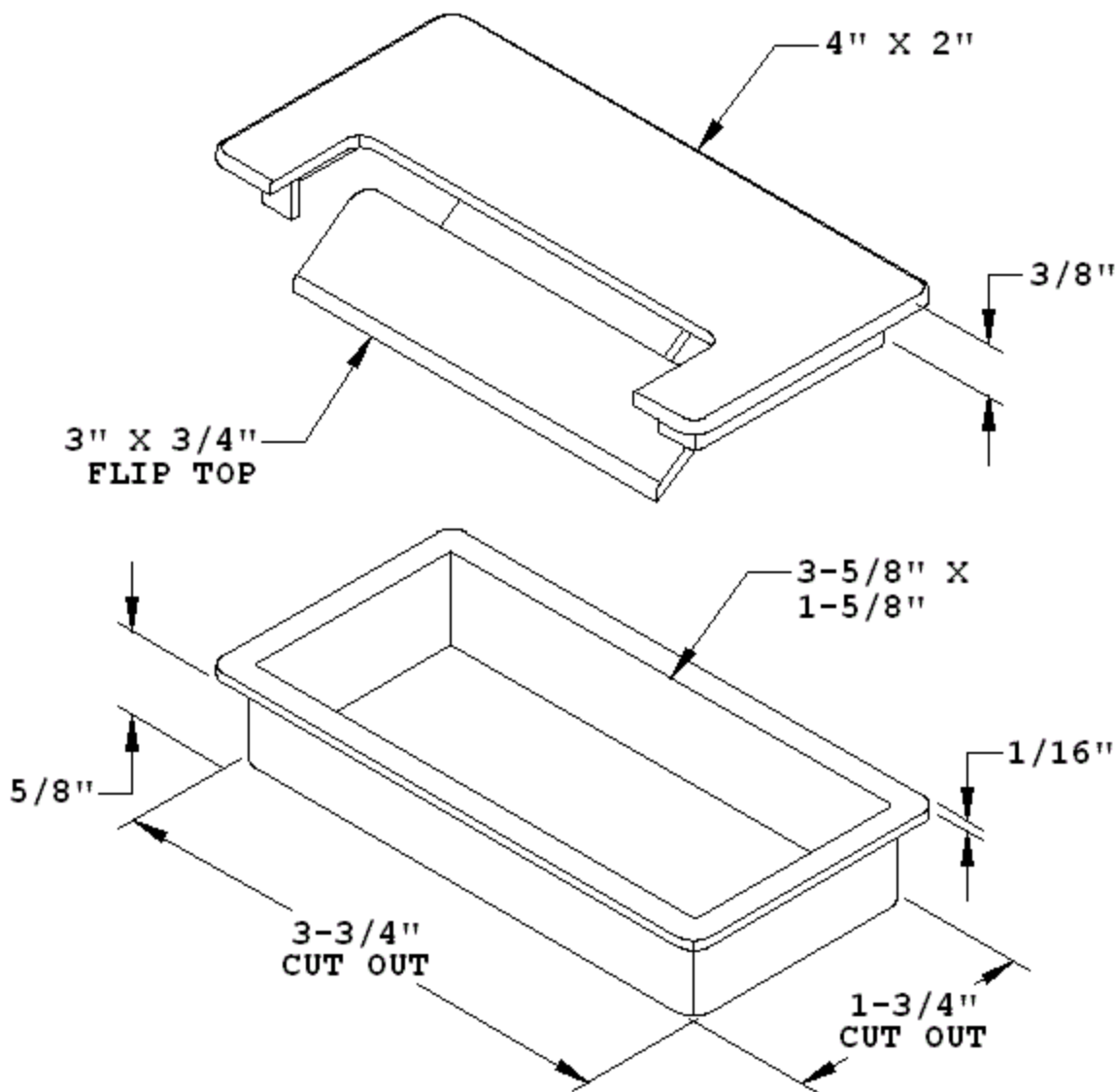


RG3



All dimensions have a 1/32" tolerance unless otherwise specified. We do not recommend drilling or cutting any holes before receiving a product or a product sample.