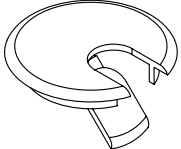
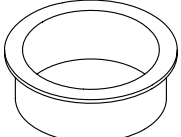


TABLE OF CONTENTS:

|   |               |
|---|---------------|
|  | ..... 1 X SG2 |
|  | ..... 1 X SG1 |

\* ALL DIMENSIONS HAVE A +/- 1/32" TOLERANCE UNLESS OTHERWISE SPECIFIED. WE DO NOT RECOMMEND DRILLING OR CUTTING ANY HOLES BEFORE RECEIVING A PRODUCT OR A PRODUCT SAMPLE. ALL MEASUREMENTS ARE IN INCHES.

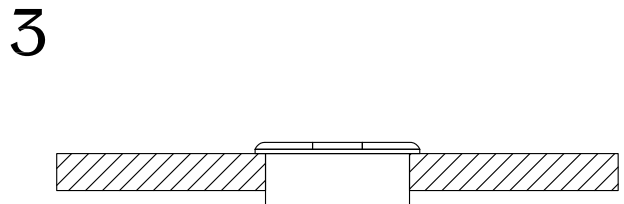
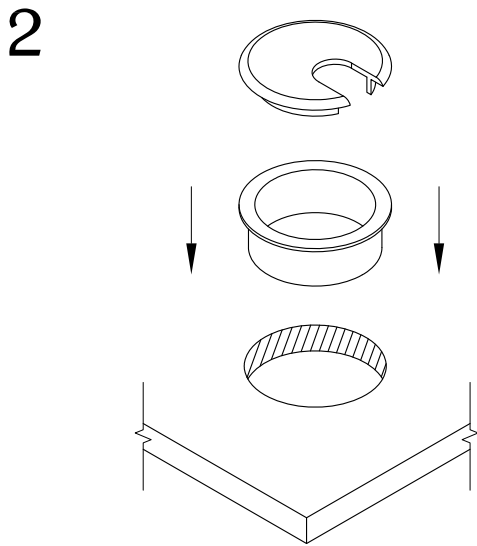
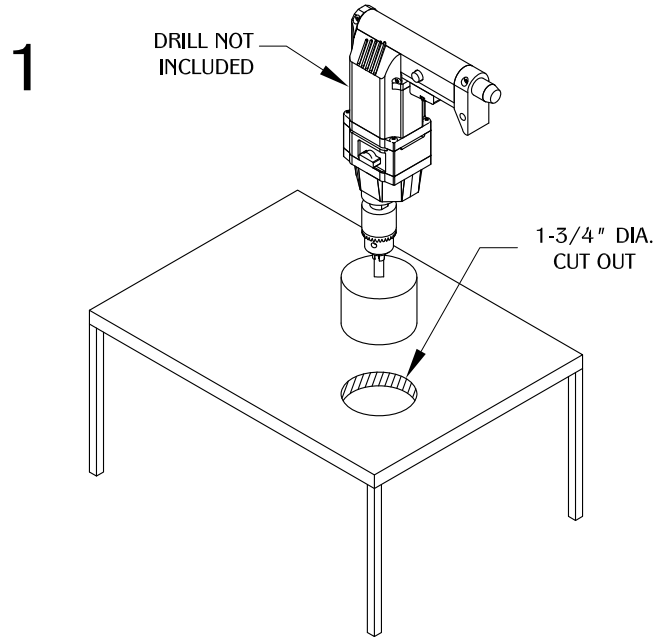
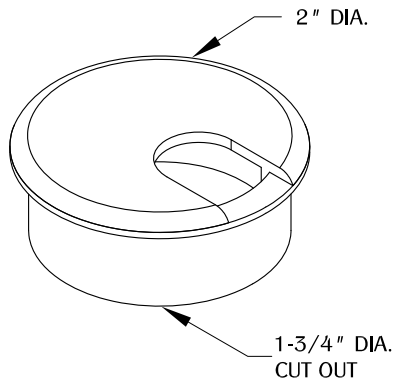

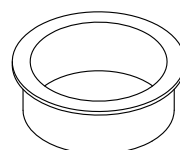


TABLE OF CONTENTS:

|   |               |
|---|---------------|
|  | ..... 1 X SG2 |
|  | ..... 1 X SG1 |

\* ALL DIMENSIONS HAVE A +/- 1/32" TOLERANCE UNLESS OTHERWISE SPECIFIED. WE DO NOT RECOMMEND DRILLING OR CUTTING ANY HOLES BEFORE RECEIVING A PRODUCT OR A PRODUCT SAMPLE. ALL MEASUREMENTS ARE IN INCHES.