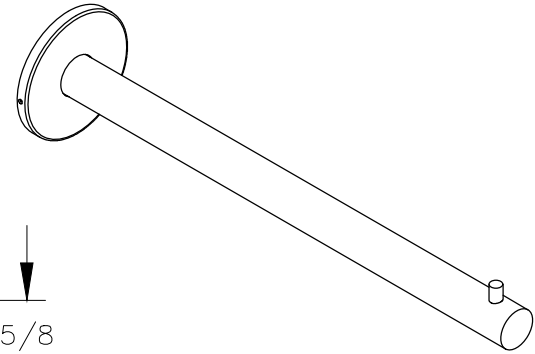
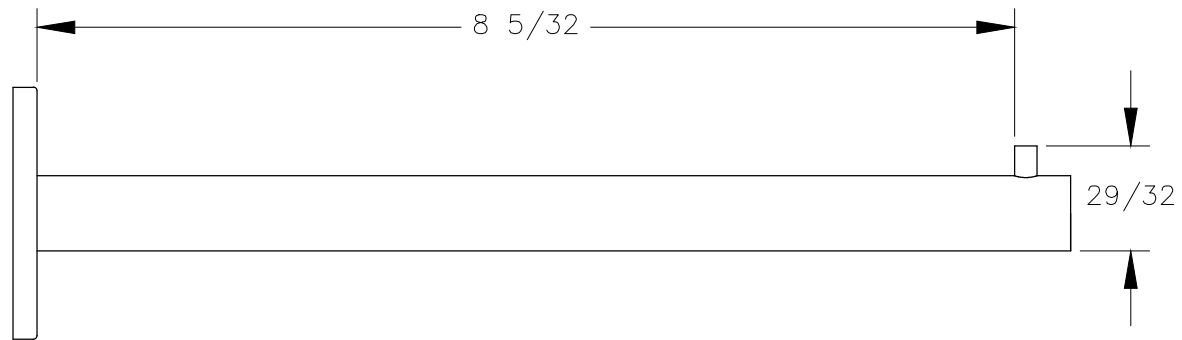


TOP VIEW

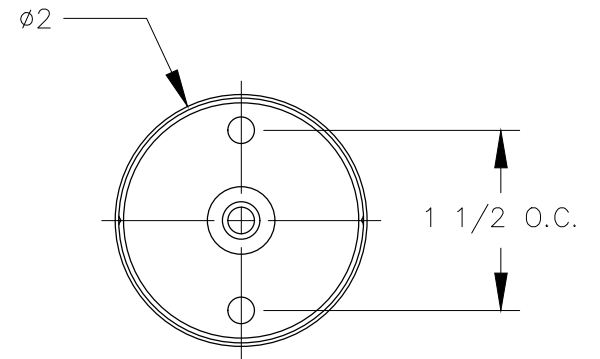


NOTES:

1. Weight Capacity is 30 lbs per bracket.
2. Install into studs.



LEFT VIEW



REAR VIEW