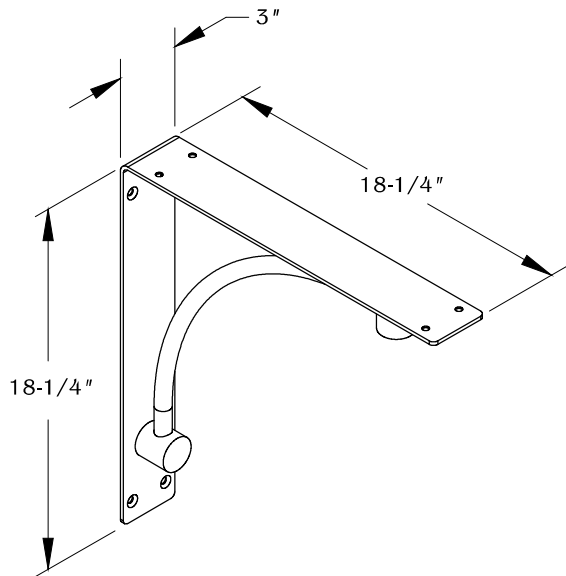


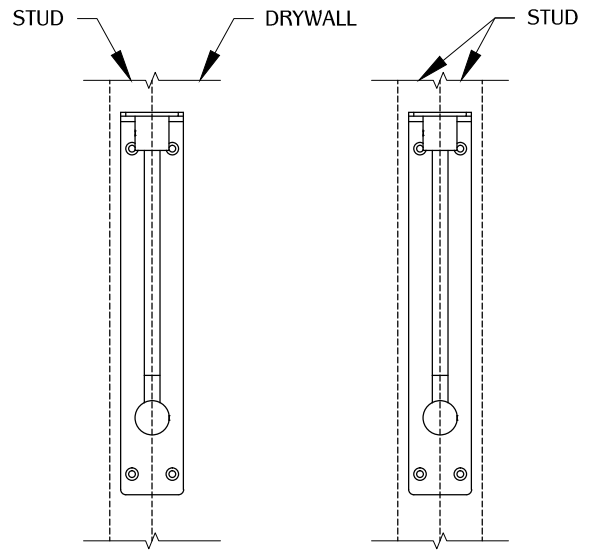
PART #

SWS3

310.318.2491 • 800.523.1269 • www.mockett.com



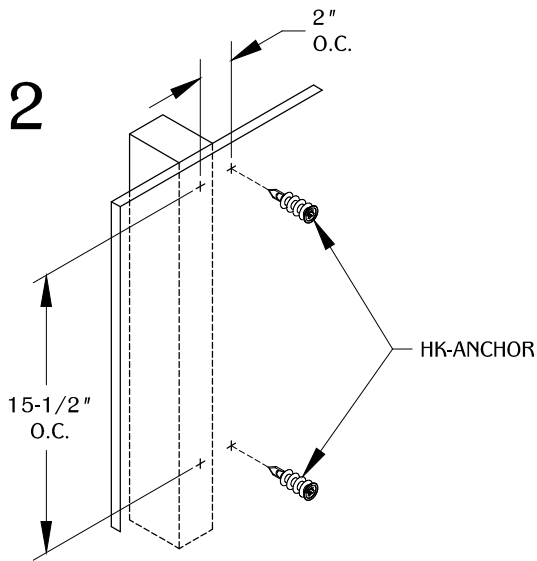
1



SINGLE STUD

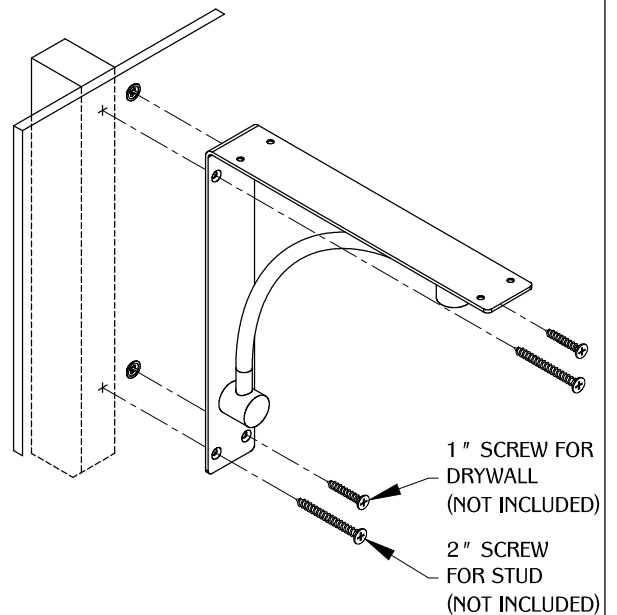
DOUBLE STUD

2



USE HK-ANCHOR FOR DRYWALL SIDE

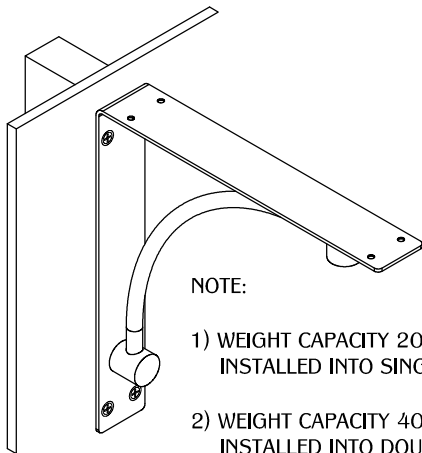
3



1" SCREW FOR DRYWALL (NOT INCLUDED)

2" SCREW FOR STUD (NOT INCLUDED)

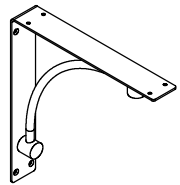



4



NOTE:

- 1) WEIGHT CAPACITY 200 LBS. PER PAIR WHEN INSTALLED INTO SINGLE STUD AT 36" APART.
- 2) WEIGHT CAPACITY 400 LBS. PER PAIR WHEN INSTALLED INTO DOUBLE STUD AT 36" APART.
- 3) 24" MAX. SURFACE DEPTH.

TABLE OF CONTENTS:

	..... 1X SWS3
	..... 2X HK-ANCHOR
	.. 2X 1" #10 WOOD SCREW (NOT INCLUDED)
	.. 2X 2" #10 WOOD SCREW (NOT INCLUDED)