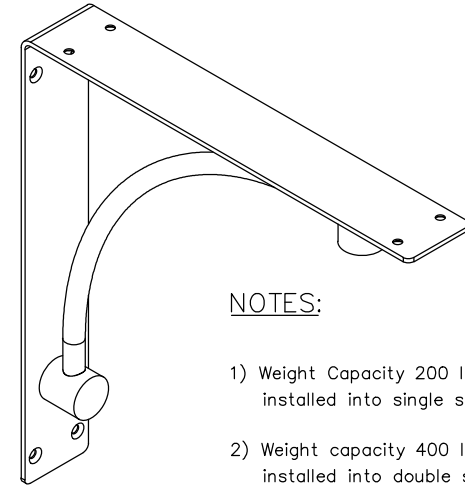
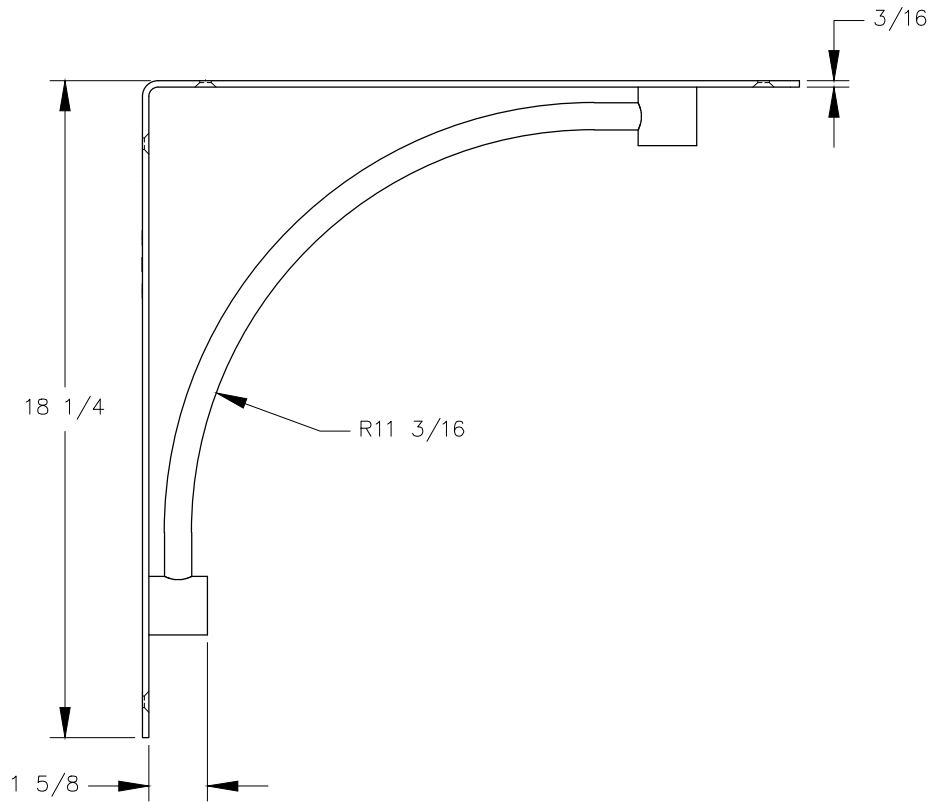


TOP VIEW

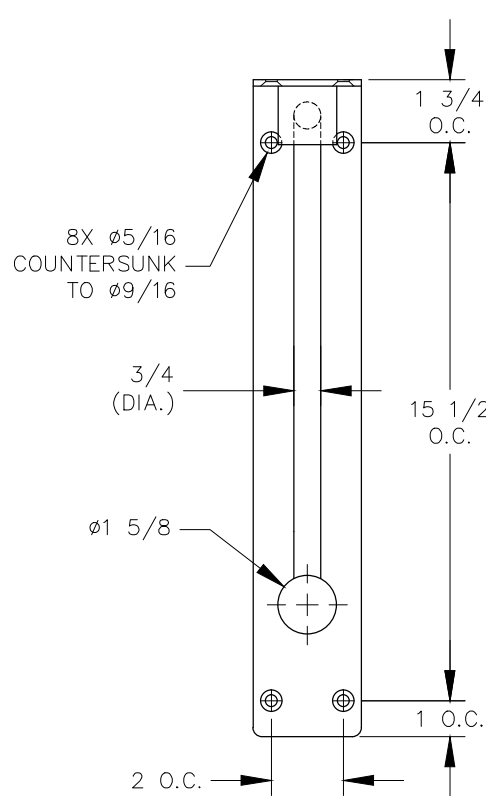


NOTES:

- 1) Weight Capacity 200 lbs per pair when installed into single stud at 36" apart.
- 2) Weight capacity 400 lbs per pair when installed into double stud at 36" apart.
- 3) 24" MAX. SURFACE DEPTH.



FRONT VIEW



RIGHT VIEW