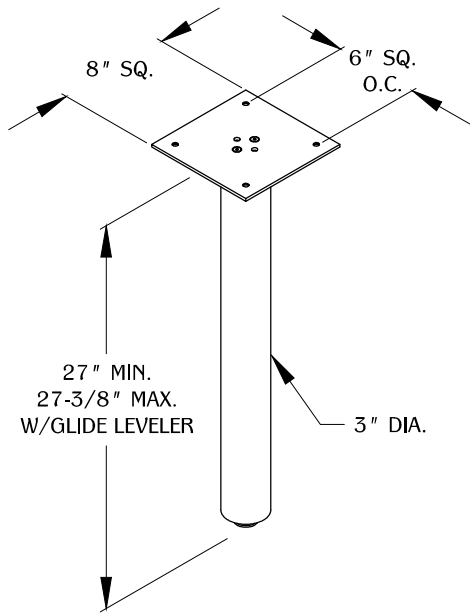


PART #

TL27R-3

310.318.2491 • 800.523.1269 • www.mockett.com



WEIGHT CAPACITY IS 300 LBS PER LEG.

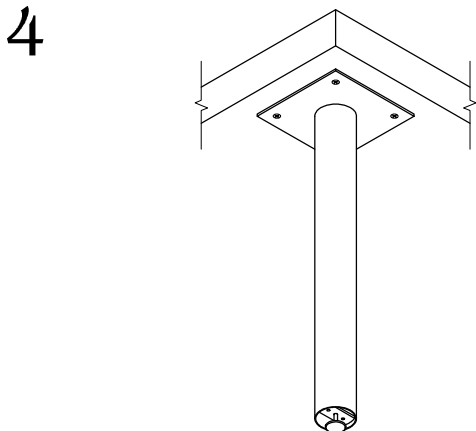
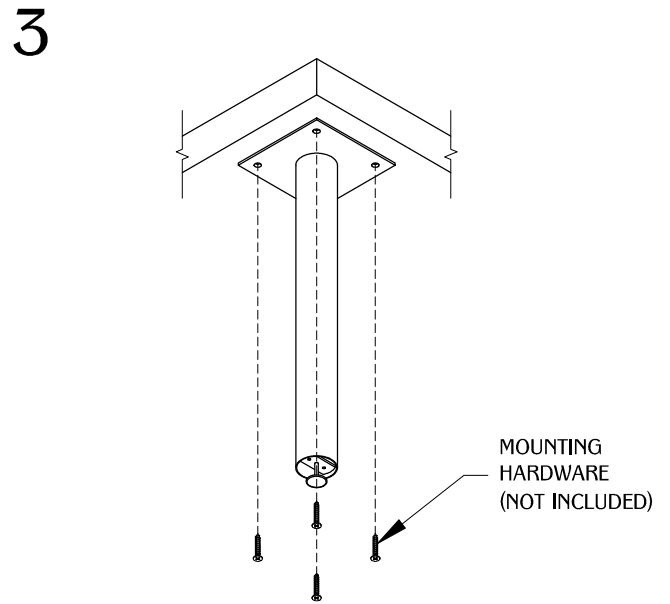
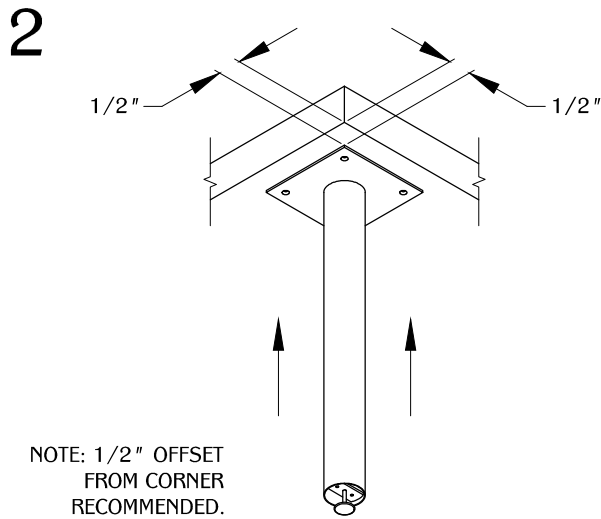
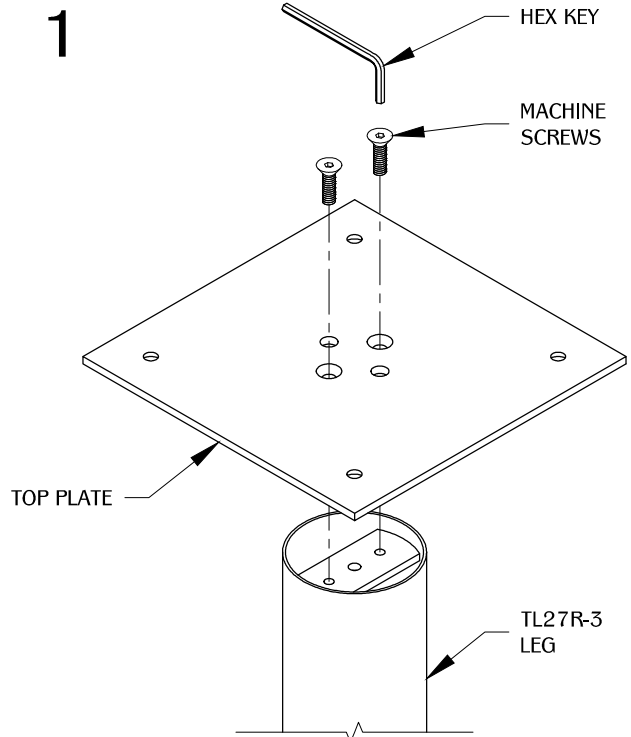

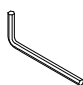

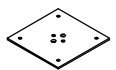


TABLE OF CONTENTS:

	 1X HEX KEY
		... 2X 7/8" Ø1/4-20 THREAD COUNTERSUNK MACHINE SCREWS
..... 1X TL27R-3 LEG	 1X TL-TOP PLATE