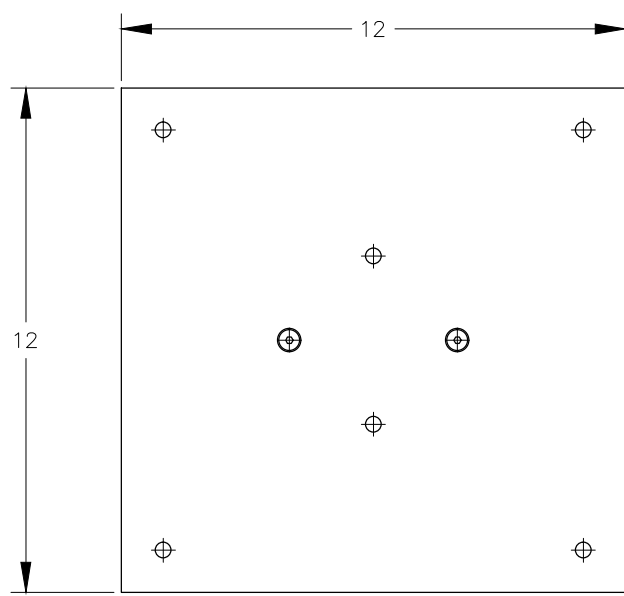
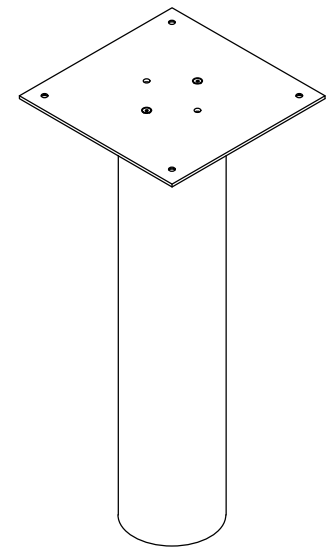


28 1/2 MIN.
28 7/8 MAX.
W/GLIDE LEVELER

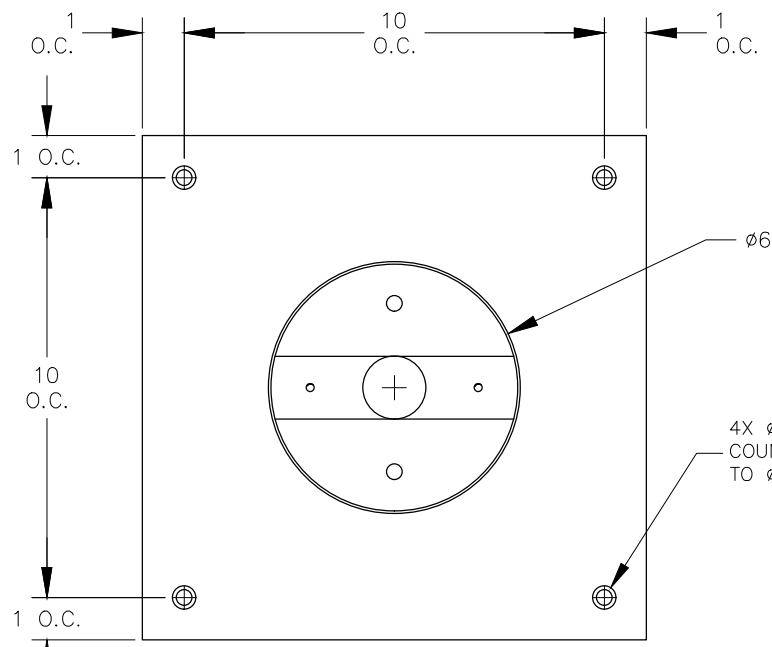
FRONT VIEW



TOP VIEW



NOTE:
1. WEIGHT CAPACITY IS 300 LBS PER LEG.



BOTTOM VIEW



P.O. BOX 3333
MANHATTAN BEACH, CA 90266 USA
PHONE: 310.318.2491 FAX: 310.376.7650
email: info@mockett.com www.mockett.com

PROPRIETARY AND CONFIDENTIAL.
ALL DIMENSIONS HAVE A +/- 1/32" TOLERANCE UNLESS OTHERWISE SPECIFIED. WE DO NOT RECOMMEND DRILLING OR CUTTING ANY HOLES BEFORE RECEIVING A PRODUCT OR A PRODUCT SAMPLE.
ALL MEASUREMENTS ARE IN INCHES.

PART NAME: TL28R-6		DRAWN BY: AN	LAST EDITED: -	REQUESTED BY: -	SHEET: 1 OF 1
SCALE: N.T.S.	TOLERANCE: ± 1 / 16 "	DATE: 2020.06.16	DATE: 0000.00.00	APPROVED BY: -	