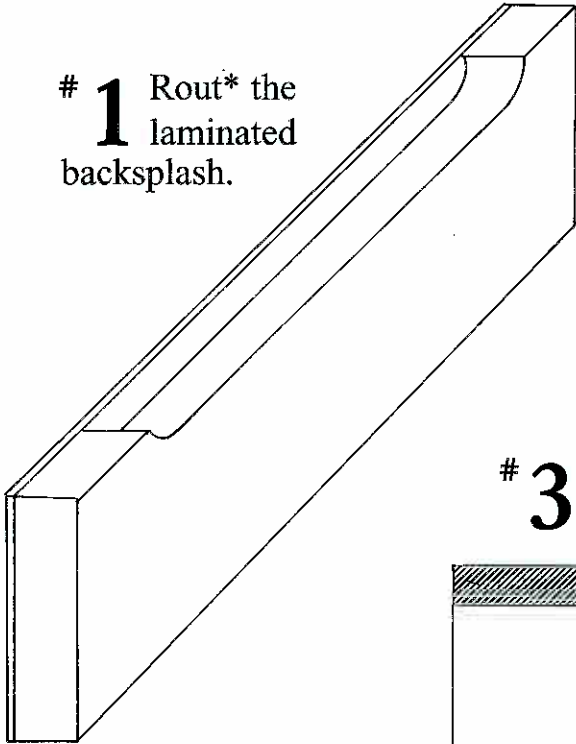


The SMART CLIP[®]

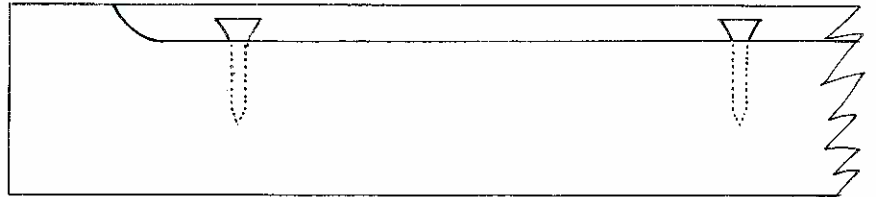
You know the problems you face, and this is the solution. It's easy to install, waterproof, and allows you to form fit a backsplash to nearly any wall surface. If you're a manufacturer who likes to stay on the "cutting edge," then the SMART CLIP[®] is for you!

INSTALLING THE SMART CLIP[®]

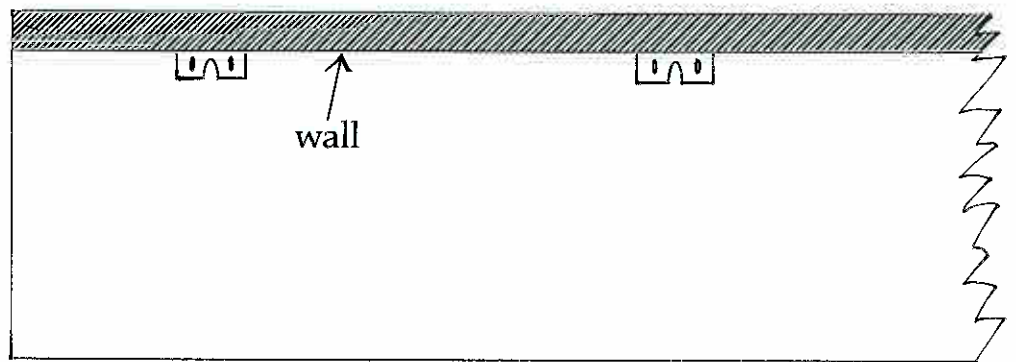
1 Rout* the laminated backsplash.



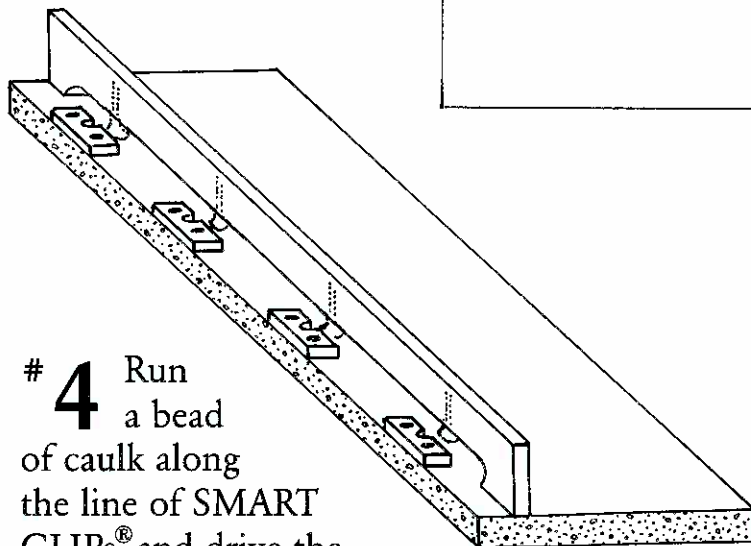
2 After measuring and drilling* 12-inch intervals on the backsplash, install screws (included) into the bottom of the backsplash.



3 Install the SMART CLIPS[®] on the countertop, butting the wall, using the screws provided.



4 Run a bead of caulk along the line of SMART CLIPS[®], and drive the backsplash into position.



IT'S THAT EASY – AND THAT SMART!

*For further information
on the SMART CLIP[®]
please contact:*

*Inexpensive installation tools eliminate all measuring