

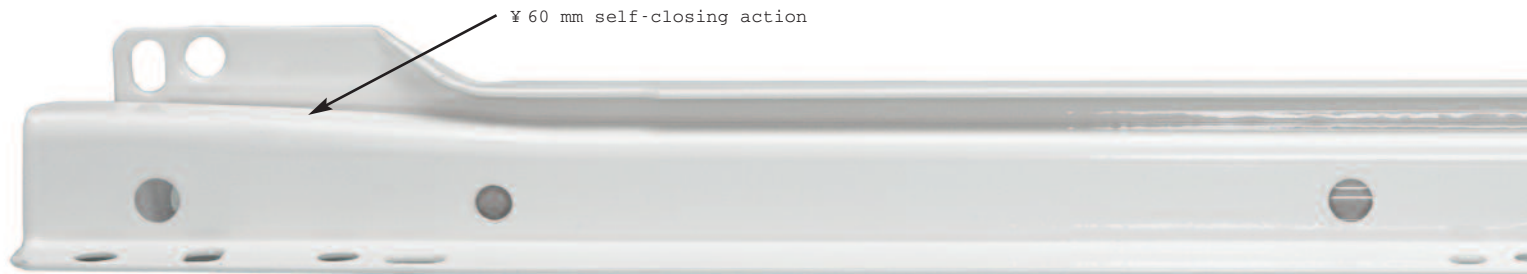
Roller Slides 1700, 1754, 1800, 5300

Features and Benefits

Features and Benefits

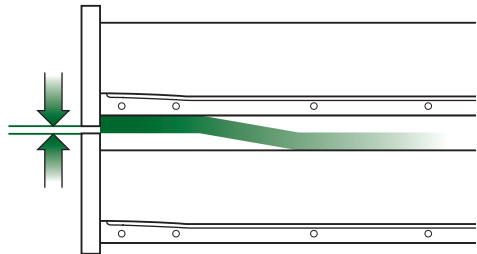


- Double Stop
- Bottom edge clearance
- 32mm system
- Variety of sizes
- Bottom mounting
- 12.5mm (1/2") installation width

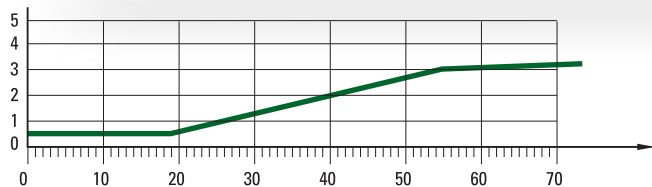


Minimum gap for
19 mm front = 0.5 mm

Bottom mounting



Carefully engineered self-closing range allows minimum gaps between drawer fronts.



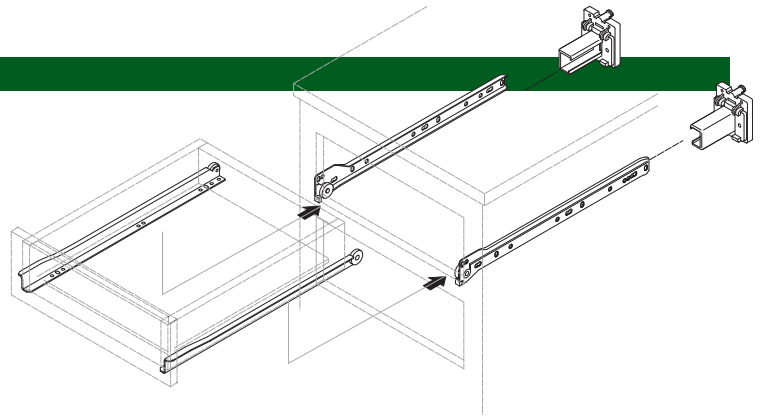
Roller Slides 1700, 1754, 1800, 5300



Features and Benefits

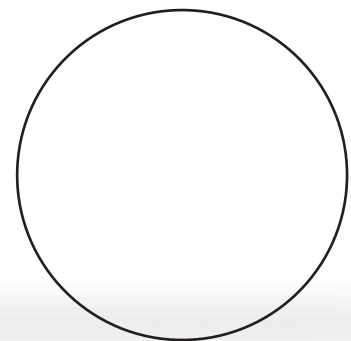
Roller Slides 1700, 1754, 1800, 5300 Applications

- For drawer materials from 1/2" (12.5mm) up to 3/4" (19mm)
- For frameless or face frame cabinetry
- Use rear mount socket for face frame application (1700, 1754, 5300)
- Four applications available
 - Standard (1700)
 - Tilt- front (1754)
 - Heavy duty (1800)
 - Full extension (5300)



¥ 32mm system for easy, accurate installation

¥ Bottom corner clearance



Bottom corner clearance - chamfering of drawer bottoms and shelves is not necessary.

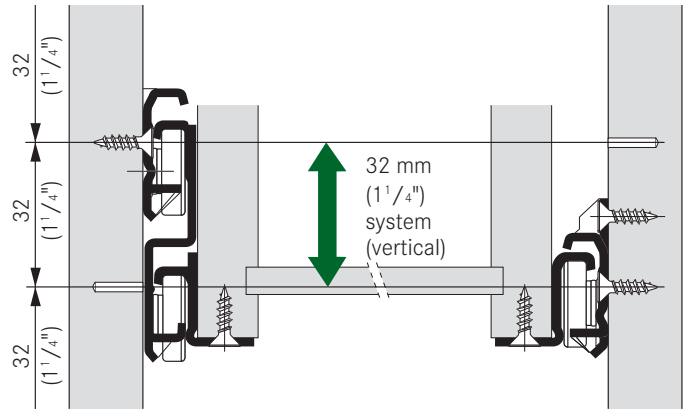
All dimensions in millimeters.

Technical Information

for Roller Slides 1700, 1754, 1800, 5300

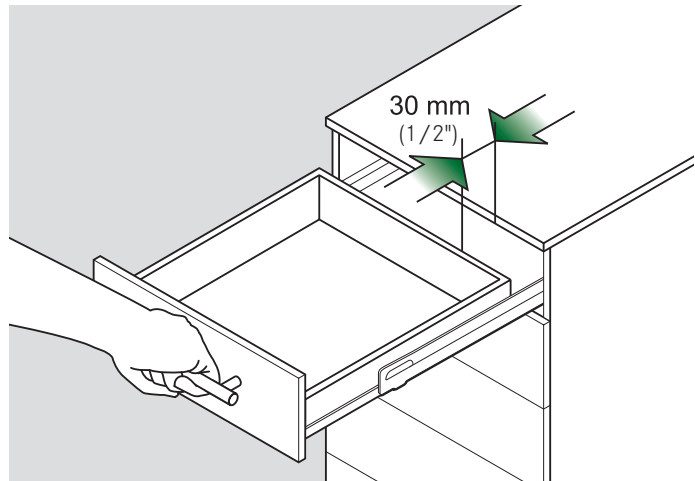
System Compatibility

Single and full-extension slides are vertically interchangeable in 32 system.

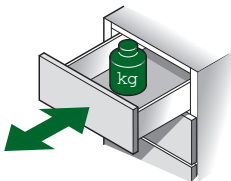


Over extension for Full Extension Slides

Full drawer access due to 30mm (1 3/16") over extension. This avoids interference with other drawer fronts or protruding counter top.



Weight Capacities



- Grass 1700: 100 lbs. dynamic load rating
- Grass 1754: 1000 lbs. dynamic load rating
- Grass 1800: 125 lbs. dynamic load rating
- Grass 5300: 125 lbs. dynamic load rating

Grass 1700-5300 Series slides meet and exceed ANSI/KCMA and ANSI/BHMA Grade 1 testing requirements.

PU = Packaging Unit

Technical Information



for Roller Slides 1700, 1754, 1800, 5300

Twist-lock for 5300 full extension slide

- Guaranteed self-closing
- Load capacity 110 lbs.
- Convenient drawer insertion and removal

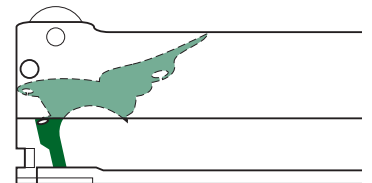
Check mounting positions

Correct position for drawer insertion

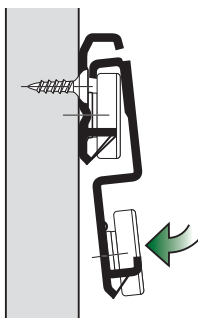


Wrong position

Insertion of drawer is not possible.

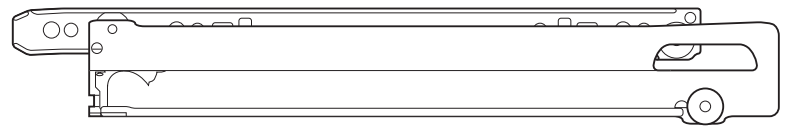


Insertion of intermediate profile for 5300 full extension slide

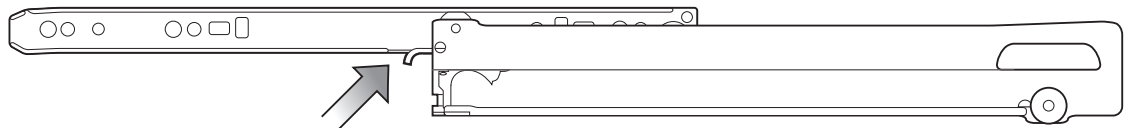


Intermediate profiles to be inclined for insertion into cabinet profiles at rear position.

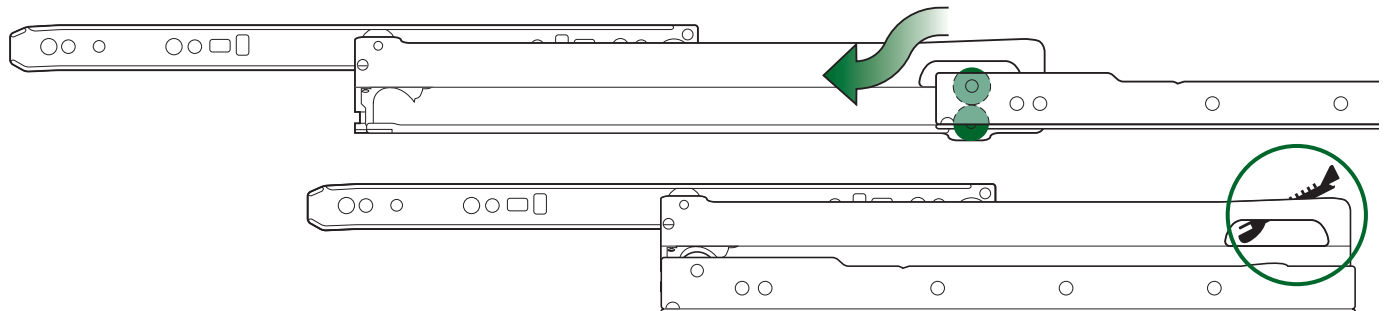
Correct position



Wrong position



Insertion-securing-removal of drawer for 5300 full extension slide



Insertion of drawer

Extend intermediate profiles fully to the open stop. Insert the drawer horizontally.

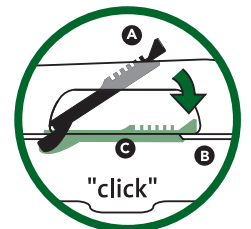
Malfunction

Malfunction is automatically corrected by fully extending the drawer.

Mounting of safety lock

One pair of black safety locks is supplied with each set of full extension slides.

Separate safety locks and insert into openings as indicated into left and right intermediate profiles - pay attention to direction of arrow! (A + B)



Safety lock

The safety lock prevents accidental removal of drawer. It is a major safety aspect.

All dimensions in millimeters.

Roller Slides 1700, 1702, 1800

100 lbs. bottom mount drawer slide

125 lbs. bottom mount, extended length drawer slide



- Single-extension slide with nylon rollers,
- Installation width 12.5mm (1/2"), bottom mounting
- Parallel closing
- Secure closing, minimum gap widths
- Bottom edge clearance - no chamfering required
- Clearance of screw head in cabinet slide
- Double stop
- Secure stop in open position
- Use rear mount socket for face frame application

1700 / 1702 Roller Slides, 100 lbs.



Description	Nominal Length	Color	Item No.	PU
1700 / 250	250mm (10")	White	1700.250.2	20
1700 / 300	300mm (12")	White	1700.300.2	20
1700 / 350	350mm (14")	White	1700.350.2	20
1700 / 400	400mm (16")	White	1700.400.2	20
1700 / 450	450mm (18")	White	1700.450.2	20
1700 / 500	500mm (20")	White	1700.500.2	20
1700 / 550	550mm (22")	White	1700.550.2	20

PU = 20 sets taped

1702 / 250	250mm (10")	White	1702.250.2	25
1702 / 300	300mm (12")	White	1702.300.2	25
1702 / 350	350mm (14")	White	1702.350.2	25
1702 / 400	400mm (16")	White	1702.400.2	25
1702 / 450	450mm (18")	White	1702.450.2	25
1702 / 500	500mm (20")	White	1702.500.2	25
1702 / 550	550mm (22")	White	1702.550.2	25
1702 / 575	575mm (23")	White	1702.575.2	25

PU = 25 bulk

1702 / 250	250mm (10")	Cream	1702.250.11	25
1702 / 300	300mm (12")	Cream	1702.300.11	25
1702 / 350	350mm (14")	Cream	1702.350.11	25
1702 / 400	400mm (16")	Cream	1702.400.11	25
1702 / 450	450mm (18")	Cream	1702.450.11	25
1702 / 500	500mm (20")	Cream	1702.500.11	25
1702 / 550	550mm (22")	Cream	1702.550.11	25
1702 / 575	575mm (23")	Cream	1702.575.11	25

PU = 25 bulk

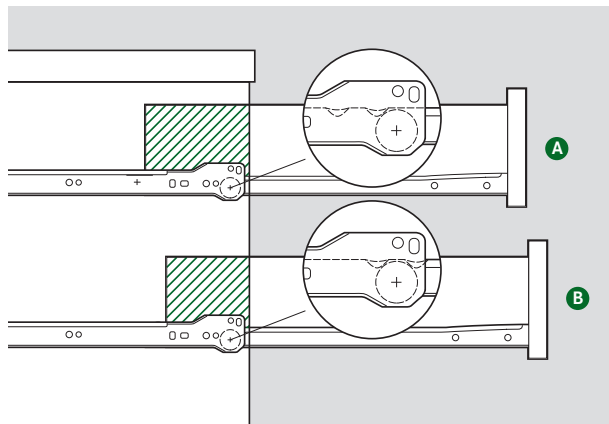
1800 Roller Slides, 125 lbs., extended length drawer slide

Description	Nominal Length	Color	Item No.	PU
1800/600	600mm (23 5/8")	White	1800.600.2	20
1800/650	650mm (25 19/32")	White	1800.650.2	20
1800/700	700mm (27 9/16")	White	1800.700.2	20
1800/750	750mm (29 17/32")	White	1800.750.2	20
1800/800	800mm (31 1/2")	White	1800.800.2	20

PU = 20 sets taped

PU = Packaging Unit

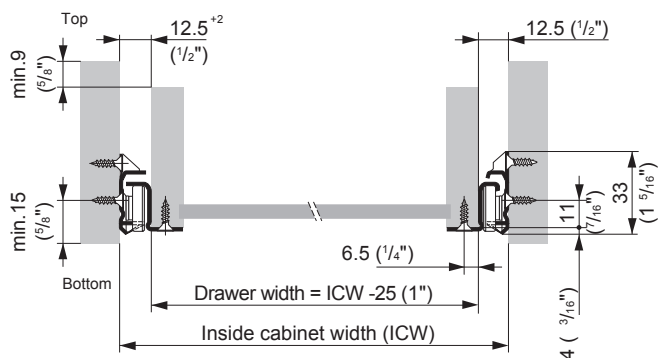
Drawer Extension



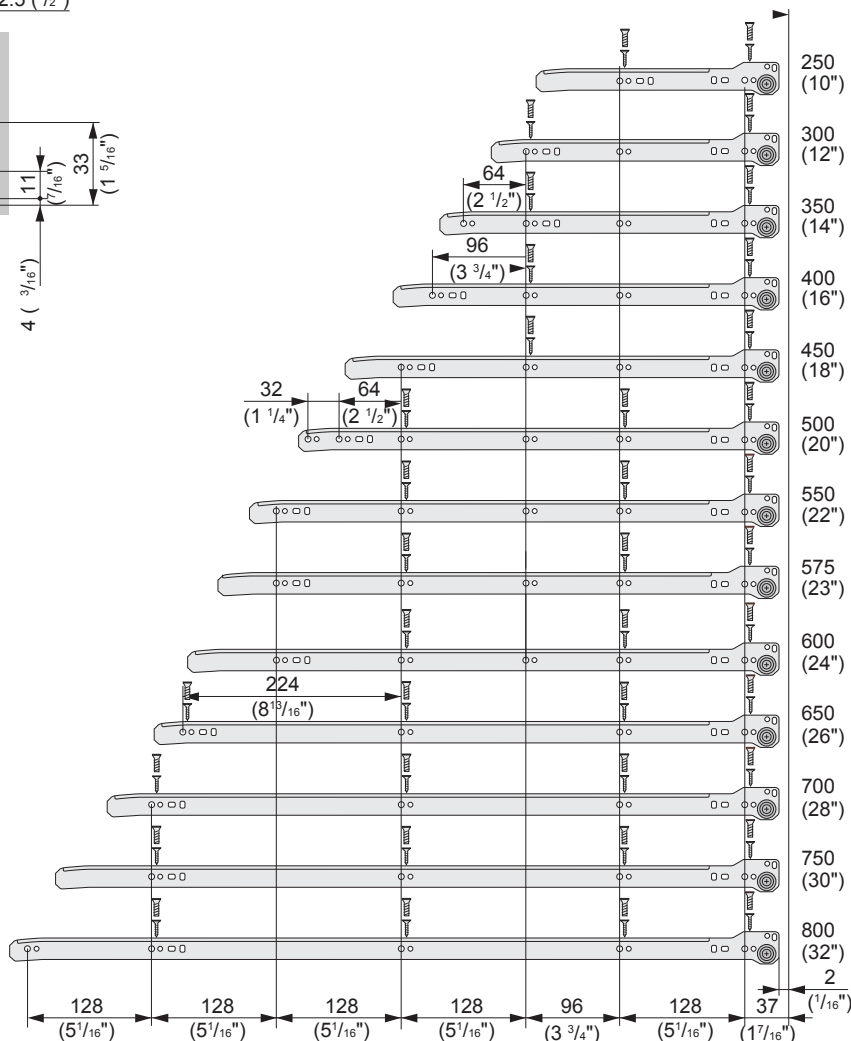
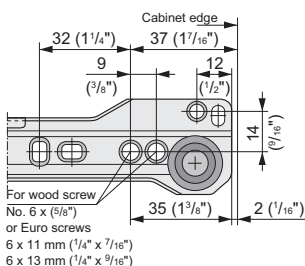
Slide Length	Single stop drawer extension (A)	Double stop drawer extension (B)
250mm (10")	160mm (6 5/16")	177mm (6 31/32")
300mm (12")	210mm (8 1/4")	227mm (8 30/32")
350mm (14")	260mm (10 1/4")	277mm (10 29/32")
400mm (16")	310mm (12 7/32")	327mm (12 7/8")
450mm (18")	347mm (13 21/32")	364mm (14 11/32")
500mm (20")	397mm (15 5/8")	414mm (16 5/16")
550mm (22")	432mm (17")	449mm (17 11/16")
575mm (23")	457mm (18")	474mm (18 21/32")
600mm (24")	482mm (18 31/32")	499mm (19 21/32")
650mm (26")	522mm (20 9/16")	539mm (21 7/32")
700mm (28")	562mm (22 1/8")	579mm (22 25/32")
750mm (30")	597mm (23 1/2")	614mm (24 3/16")
800mm (32")	647mm (25 15/32")	664mm (26 5/32")

Drawer Installation Dimensions 1700 / 1702 / 1800

Cabinet Profile Mounting Position



Cabinet Member Boring Specifications



All dimensions in millimeters.