

Dynapro 3-D (Height, Side, Tilt adjustment) + 2D (Height and Side adjustment)



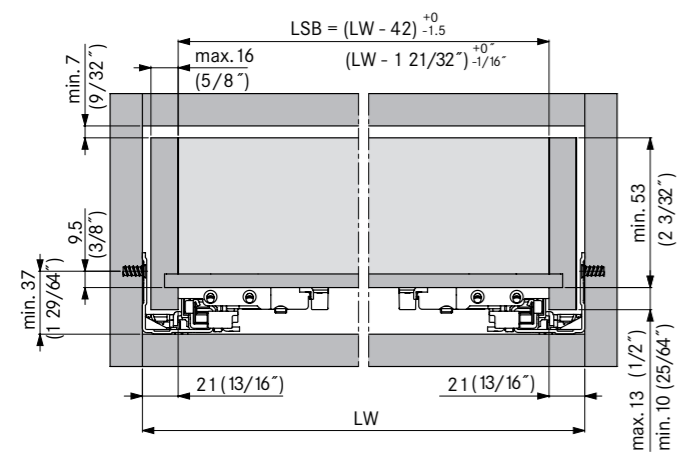
»» dynapro

76588-00 - 2011/01

Mounting Instruction

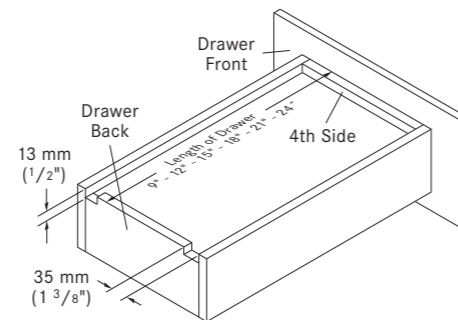
Drawer measurements

Specifications - Full extension, 5/8" drawer material



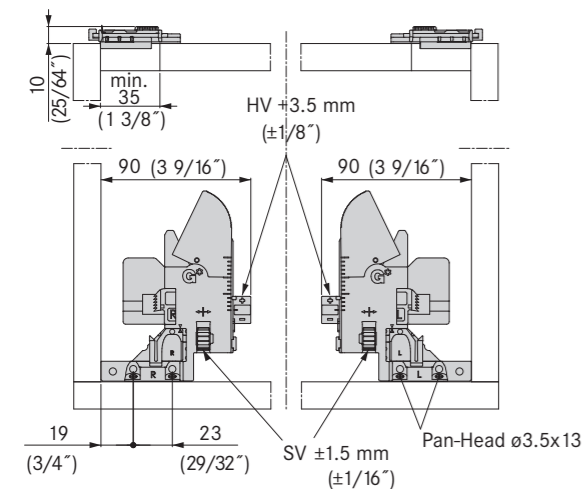
Calculation Outside Drawer Width

Drawer side thickness	16 mm (5/8")	14 mm (9/16")	13 mm (1/2")
Deduct from cabinet opening	10 mm (3/8")	14 mm (9/16")	16 mm (5/8")



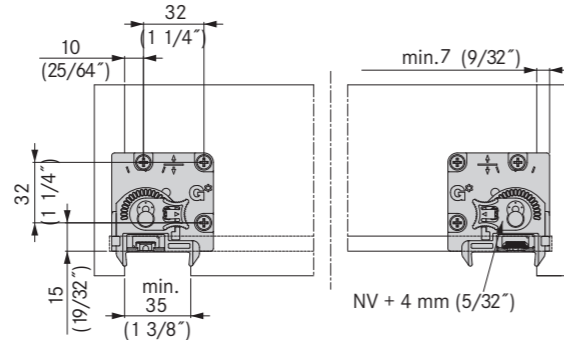
Front fixing bracket

Pre-drilling required Ø 2.5 mm (1/8")



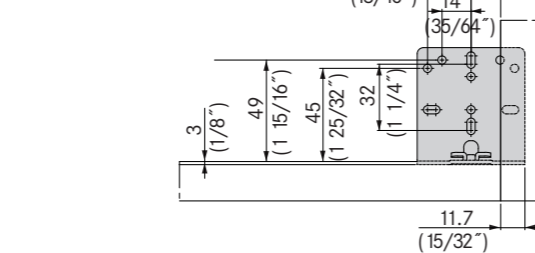
Adjustment adapter

Pre-drilling required Ø 2.5 mm (1/8")



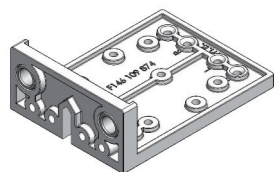
Rear bracket

Pre-drilling required Ø 2.5 mm (1/8")



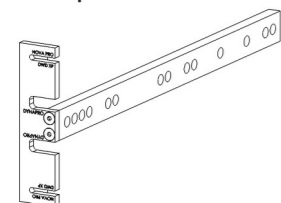
Boring jig recommendation

For drawer boxes



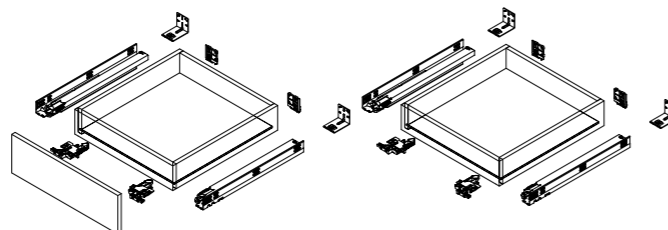
Item No.
F146109874299

For cabinet profile



Item No.
F146109873299

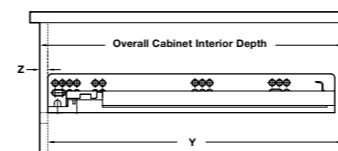
4 sided drawer overlay application with decorative drawer front



Interior drawer without decorative drawer front

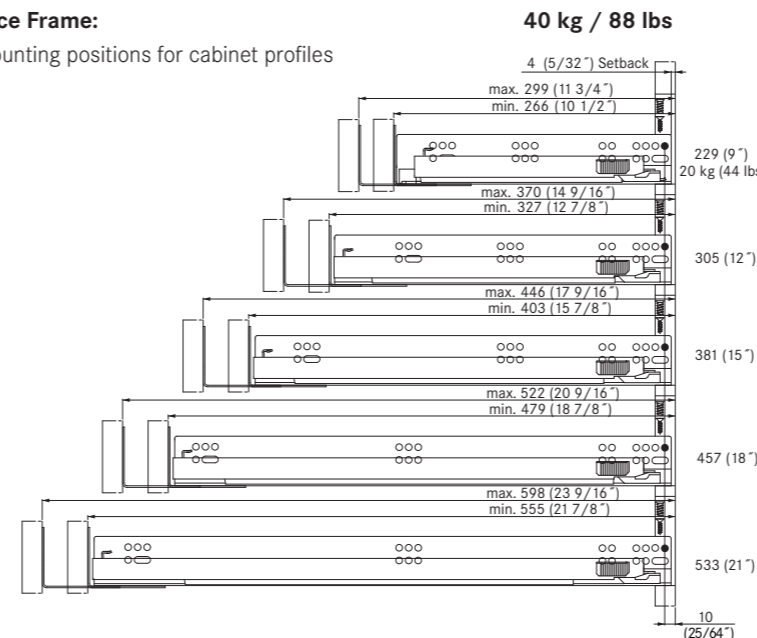
Interior drawer measurements

Z = Setback, Setback = Decorative drawer front thickness plus 5 mm (3/16")
Y = Overall cabinet depth minus setback

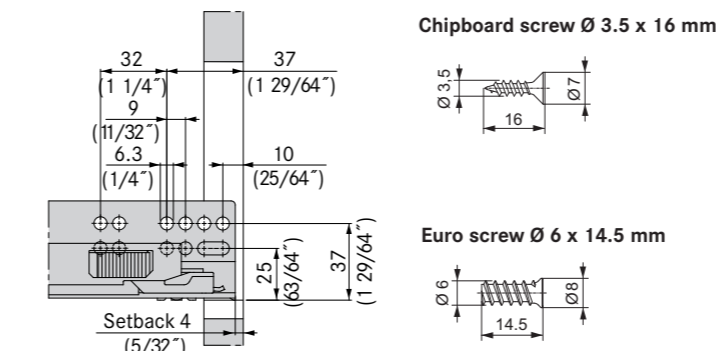


Face Frame:

Mounting positions for cabinet profiles



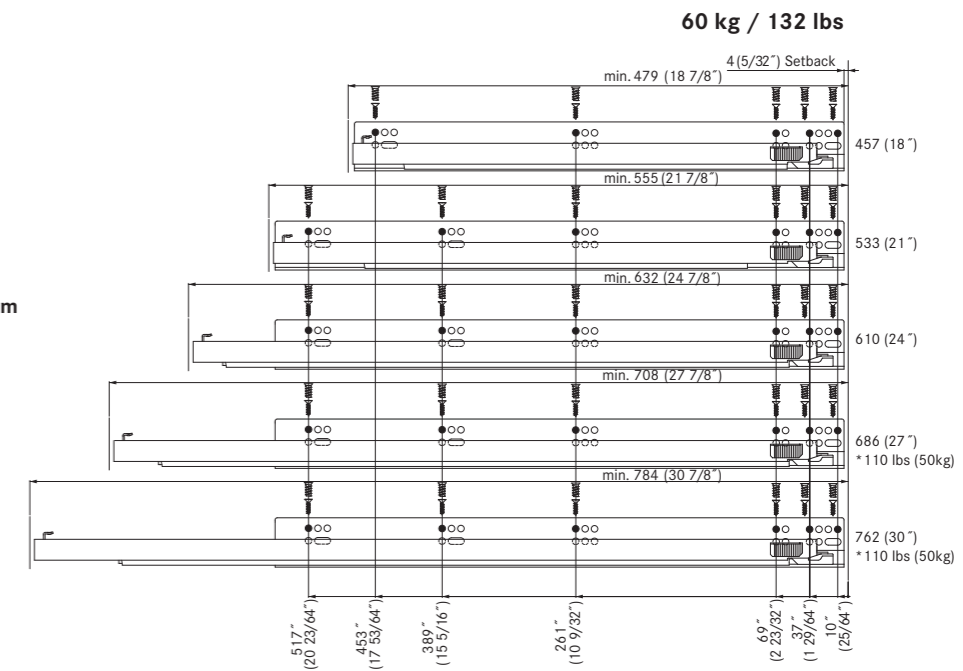
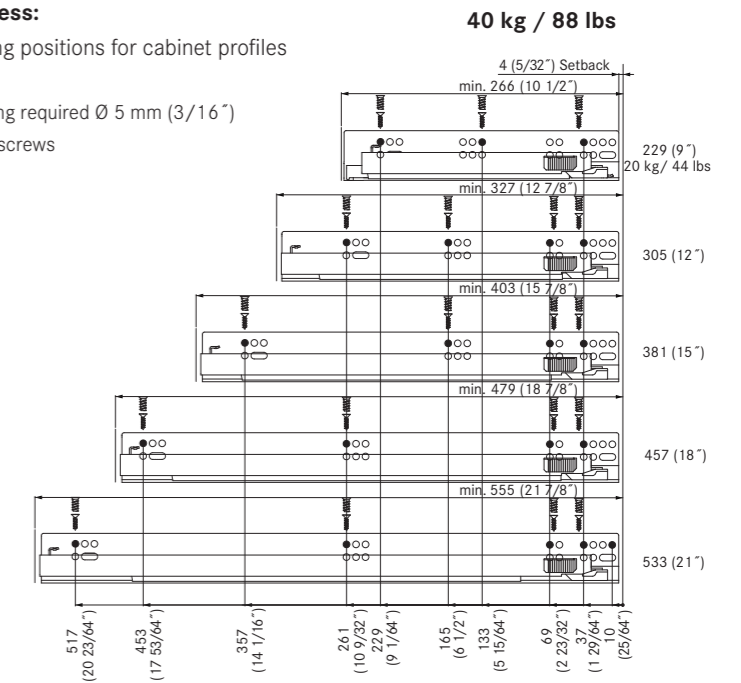
For heavy duty application, rear brackets and sockets cannot be used!
Cabinet sides must be blocked out flush with the inside of the frame!



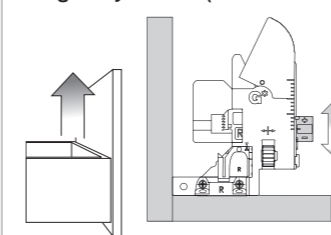
Frameless:

Mounting positions for cabinet profiles

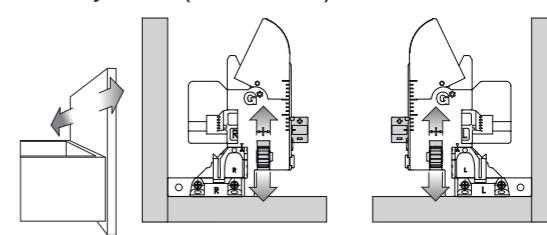
Pre-drilling required Ø 5 mm (3/16") for Euro screws



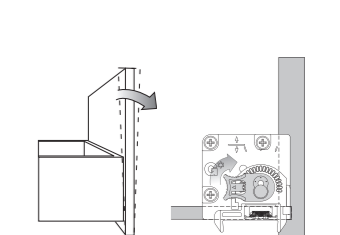
Height adjustment (max. +3.5 mm)



Side adjustment (max. ±1.5 mm)



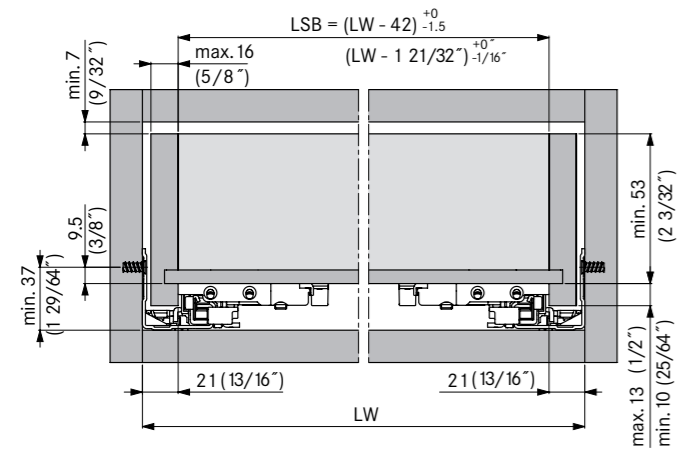
Tilt adjustment (max. +4 mm)



- 1 Adjust both wheels into the same direction
- 2 Remove drawer
- 3 Insert drawer

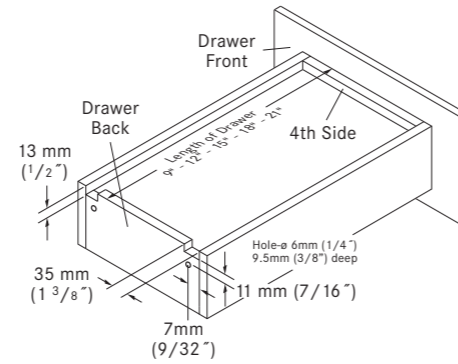
Drawer measurements

Specifications - Full extension, 5/8" drawer material



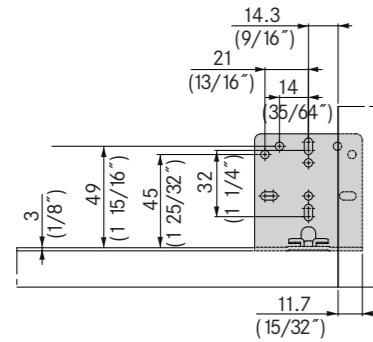
Calculation Outside Drawer Width

Drawer side thickness	16 mm (5/8")	14 mm (9/16")	13 mm (1/2")
Deduct from cabinet opening	10 mm (3/8")	14 mm (9/16")	16 mm (5/8")

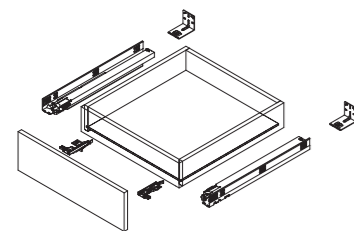


Rear bracket

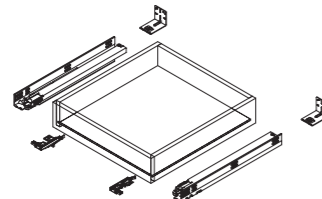
Pre-drilling required Ø 2.5 mm (1/8")



4 sided drawer overlay application with decorative drawer front

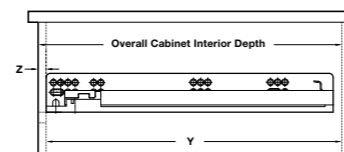


Interior drawer without decorative drawer front



Interior drawer measurements

Z = Setback, Setback = Decorative drawer front thickness plus 5 mm (3/16")
Y = Overall cabinet depth minus setback

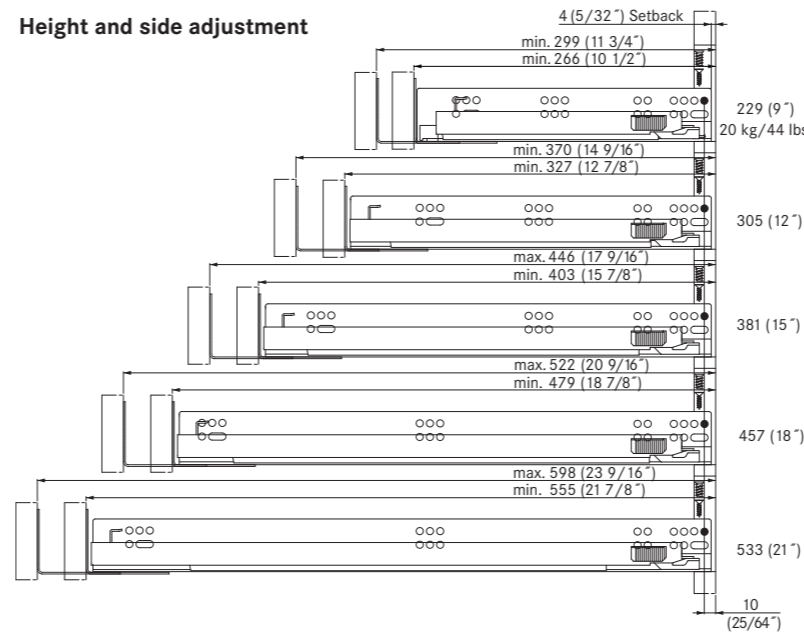


Face Frame:

40 kg / 88 lbs

Mounting positions for cabinet profiles

Height and side adjustment



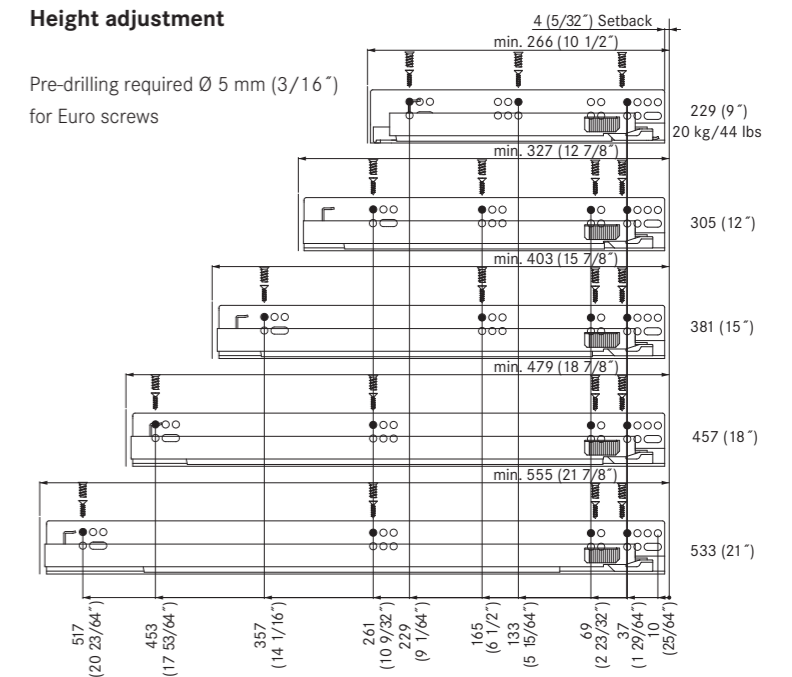
Frameless:

40 kg / 88 lbs

Mounting positions for cabinet profiles

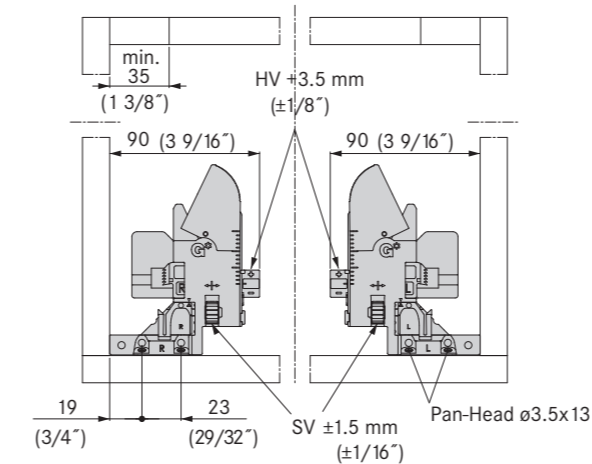
Height adjustment

Pre-drilling required Ø 5 mm (3/16") for Euro screws



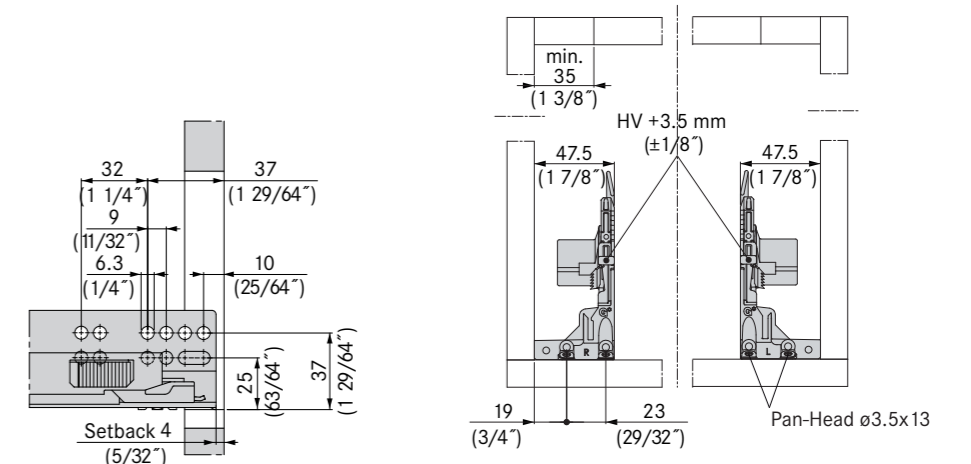
Front fixing bracket for face frame mounting

Pre-drilling required Ø 2.5 mm (1/8")

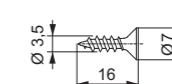


Front fixing bracket for frameless mounting

Pre-drilling required Ø 2.5 mm (1/8")



Chipboard screw Ø 3.5 x 16 mm



Euro screw Ø 6 x 14.5 mm

