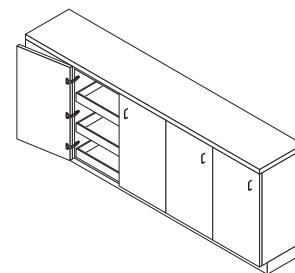


# Tiomos 160

## 160° Wide angle hinge



- 3-dimensional adjustment with suitable base plate
- Accommodates overlays up to 25.4 mm (1")
- Soft-close or Self-close hinges available
- For face frame or frameless cabinets
- Convenient depth adjustment with worm gear
- Zero protrusion when door is opened 90°
- 10mm cup depth
- For door thicknesses up to 32 mm (1 1/4")
- Minimal reveal

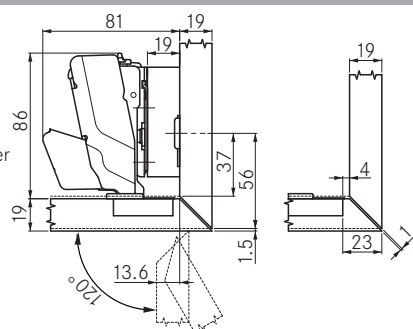


Tiomos 160	Opening Angle 160°	Impresso	Screw-on	Dowelled
------------	--------------------	----------	----------	----------

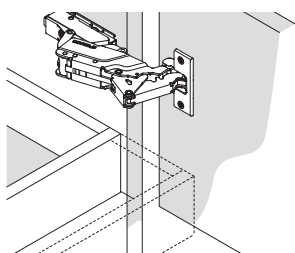
Full overlay	Cranking 00	Pattern	Type	Item No.	Pattern	Type	Item No.	Item No.	PU
<p>Hinge cup: steel, nickel-plated Hinge arm: steel, nickel-plated</p>	42 / 45	Soft-close	Item No. <b>F017139435217</b>	45	Soft-close	<b>F028138561217</b>	<b>F028138564217</b>	50	
			Self-close		<b>F034139406217</b>	Self-close	<b>F045138499217</b>	<b>F045138502217</b>	50
		Soft-close	-	<b>F028138382217</b>	50				
			Self-close	-	<b>F045138320217</b>	50			
Overlay	Cranking 03	Pattern	Type	Item No.	Pattern	Type	Item No.	Item No.	PU
<p>Hinge cup: steel, nickel-plated Hinge arm: steel, nickel-plated</p>	42 / 45	Soft-close	Item No. <b>F017139436217</b>	45	Soft-close	<b>F028138562217</b>	<b>F028138565217</b>	50	
			Self-close		<b>F034139407217</b>	Self-close	<b>F045138500217</b>	<b>F045138503217</b>	50
		Soft-close	-	<b>F028138383217</b>	50				
			Self-close	-	<b>F045138321217</b>	50			
Half overlay	Cranking 9.5	Pattern	Type	Item No.	Pattern	Type	Item No.	Item No.	PU
<p>Hinge cup: steel, nickel-plated Hinge arm: zinc, nickel-plated</p>	42 / 45	Soft-close	Item No. <b>F017139437217</b>	45	Soft-close	<b>F028138563217</b>	<b>F028138566217</b>	50	
			Self-close		<b>F034139408217</b>	Self-close	<b>F045138501217</b>	<b>F045138504217</b>	50
		Soft-close	-	<b>F028138384217</b>	50				
			Self-close	-	<b>F045138322217</b>	50			

### Mitered corner application

Use 120° opening angle reduction clip.  
Prevents doors from bumping with the cabinet side in inset applications and mitered corner applications.



### Zero door protrusion at 90°



Zero protrusion for application with inset drawers. With 00 cranking and 00 height of base plate the door is flush with the cabinet at 90°.

Hinge cup cover cap	Item No.	PU
Steel, nickel-plated	<b>F072135503228</b>	150
Angle reduction clip to 120°	Item No.	PU
Plastic, black	<b>F072135753117</b>	50
Wood screw, nickel-plated	Item No.	PU
#6 x 5/8" FHP, NI	<b>81001-43</b>	500

PU = packaging unit

