



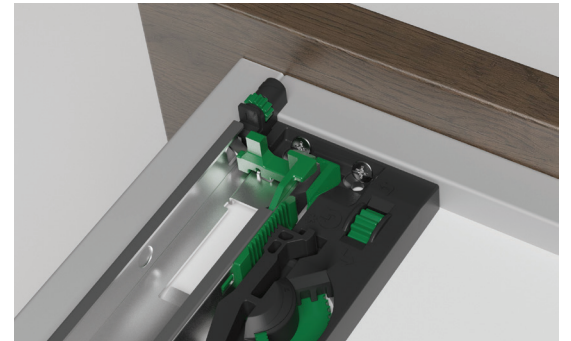
DYNAPRO.S

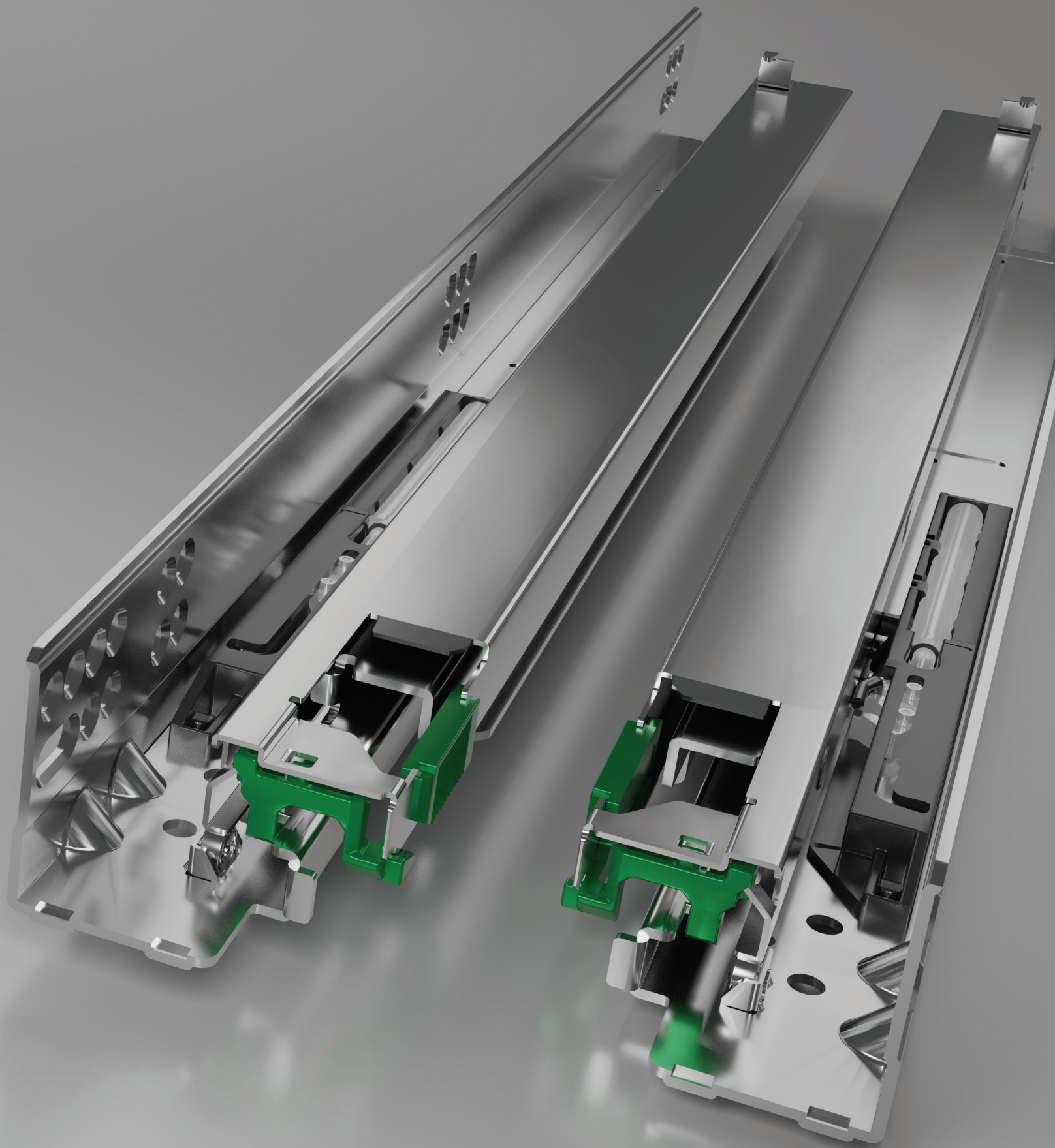
DYNAPRO.S

G*GRASS®

DYNAPRO2.0 SLIDE SYSTEM

Perfect symmetry, fluid motion, stylish design.
Synchronized full extension undermount slide.





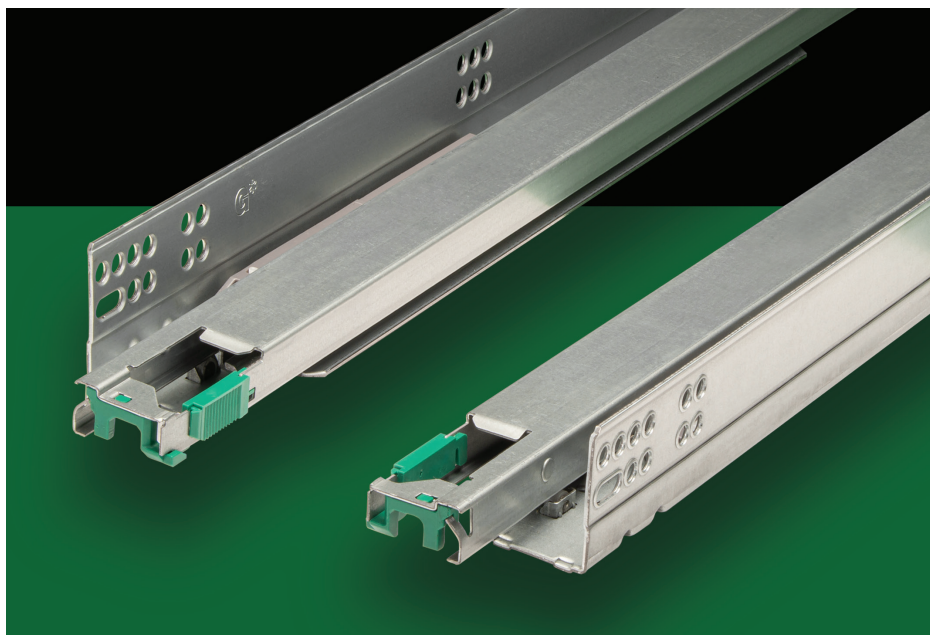


Fluid motion, perfect symmetry, skillfully engineered. Dynapro2.0 finds expressive movement and reveals a timeless motion defining open/close in one statement.

Experience Dynapro2.0

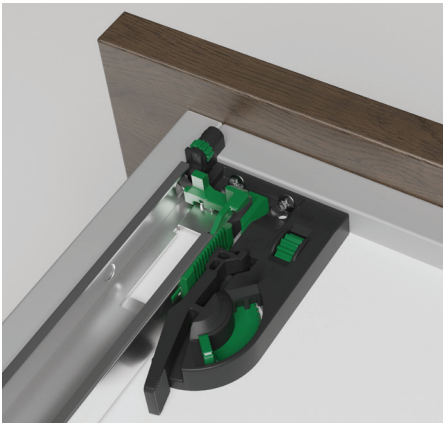
Dynapro2.0 has all of the key ingredients for a superb undermount slide system. Synchronized for a smooth running action, easy open pull force, and heavy carrying capacities are just a few of the features of Dynapro2.0. With the ever-increasing emphasis on convenience and comfort, this synchronized full extension slide system combines superior quality of motion and outstanding running performance.

Experience the motion of Dynapro2.0



DYNAPRO2.0 SLIDE SYSTEM

Crafted. Synchronized. Concealed.
Dynapro2.0 undermount slides for wood drawers defines the motion of open and close.



3D adjustment for perfect alignment: height, side, and depth adjustment

Dynapro2.0 undermount slides offer a variety of front locking devices to provide two and three dimensional adjustments. The drawer can be adjusted side-to-side, height, and depth. With the option of 3-dimensional adjustment, precise alignment of the drawer fronts is extremely easy. All of the adjustments are simple operations and easily performed without the use of tools. With the Dynapro2.0 adjustments, you will achieve perfect alignment.



Crafted Perfection




Dynapro2.0 is a full extension undermount slide system that is crafted to perfection. It is a versatile system that blends well with all types of cabinetry. Dynapro2.0 has an easy to open pull force with a heavy load carrying capacity that can accommodate drawer widths of up to 48". Available for drawer material ranging from 12.7mm (1/2") to 19mm (3/4"). Whether you choose a face frame application or a frameless application, Dynapro2.0 provides the concealed slide that is the basis for a dynamic drawer in motion.



Attention to Detail

Dynapro2.0's undermount slides offer the best in product design and quality. Its fluid motion offers easy opening and soft closing without any added hardware. The synchronization of each individual slide ensures optimal open and close motion. With operating comfort, stability, 3D adjustment, and quiet operation, everyone benefits from the technical aspects of Dynapro2.0: the cabinet manufacturers, the installers, and the end user.

Table of Content

	Description	Adjustment	Page
	Features & Benefits		6
	Technical Information		8
	Dynapro2.0 16 <ul style="list-style-type: none"> • Optional 3-dimensional adjustment • Face frame or frameless • Integrated Soft-close, full extension • For 12.7mm (1/2") to 16mm (5/8") material 	Front locking device selection provides: <ul style="list-style-type: none"> • Height adjustment (max +3.5mm) • Side adjustment (max ±1.5mm) • Depth adjustment (max 3.0mm forward) 	14
	Dynapro2.0 19 <ul style="list-style-type: none"> • Optional 3-dimensional adjustment • Face frame or frameless • Integrated Soft-close, full extension • For 16mm (5/8") to 19mm (3/4") material 	Front locking device selection provides: <ul style="list-style-type: none"> • Height adjustment (max +3.5mm) • Side adjustment (max ±1.5mm) • Depth adjustment (max 3.0mm forward) 	18
	Accessories and Assembly Aids <ul style="list-style-type: none"> • Drill template for hole placement • Inset and bottom mount brackets 		22

Features and Benefits

Dynapro2.0

Features



- Height, side, and depth adjustments via front locking device
- Self-latching front locking devices
- For drawer material ranging from 12.7mm (1/2") to 19mm (3/4")
- Liquid damper for soft closing
- Synchronized for smooth, quiet operation
- Support roller for uniform drawer height
- Meets and exceeds ANSI/BHMA A156.9 Standard, Grade 1

Multiple cleats

connect immediately with front locking device at installation for maximum connection between the drawer slide and front locking device.



Dynapro2.0's fluid motion offers easy opening and soft closing without any resistance. Synchronized for optimal open and close motion.

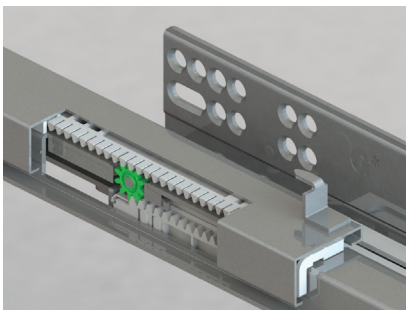
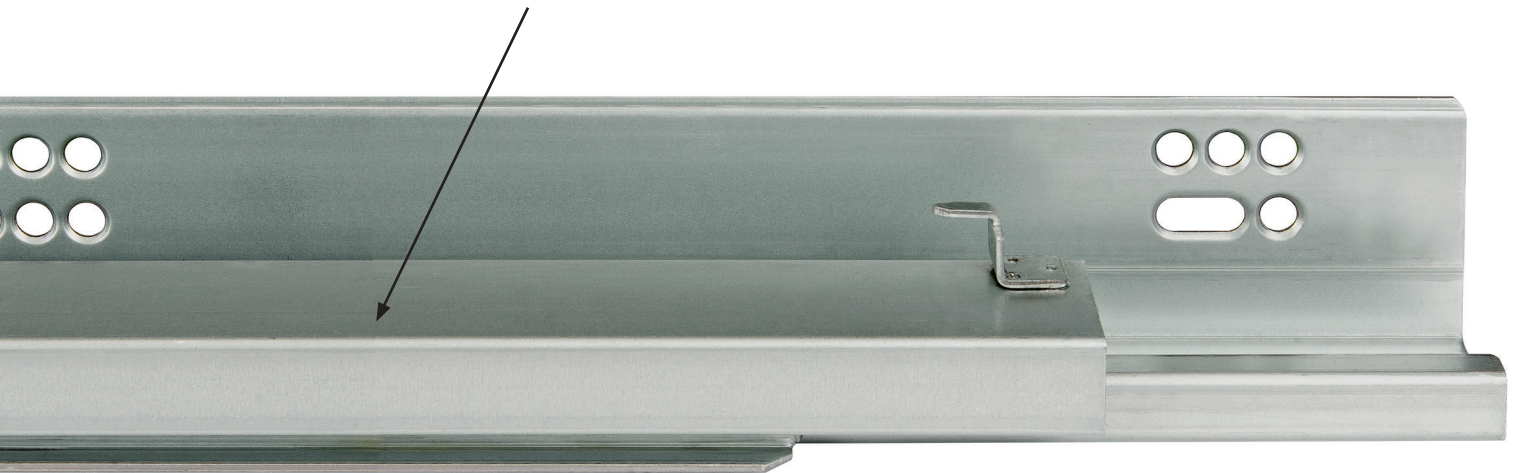
Features

- Wear resistant nylon rollers ensure quiet and precise running characteristics
- Synchronized full extension
- Face frame and frameless applications
- 100 lb static load rating, 90 lb dynamic load rating
- Minimal drawer front gap using adjustable 3D front locking device
- For drawer widths up to 48"



Liquid damper
offers the latest closing technology.

Abrasion resistant polymer rollers
ensure smooth and even operation.



Synchronization
for smooth, silent operation, excellent running performance.



3D Front Locking Device
provides height, side, and depth adjustment.

Technical Information

Dynapro2.0

2D and 3D Front Locking Device with Height, Side, and Depth Adjustment

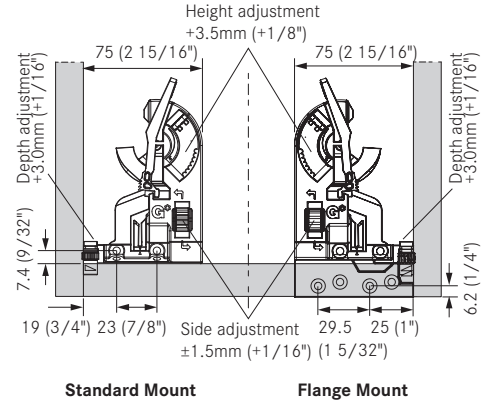
3D Locking Devices



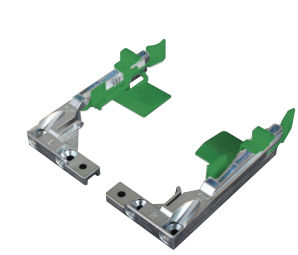
- Provides 2D or 3D adjustment for drawers
- For all drawer applications up to 48" in width
- Minimum inside drawer width 150mm (5 7/8")
- Lightweight, high strength material
- Height adjustment range: +3.5mm
- Side adjustment range: ±1.5mm
- Depth adjustment range: +3.0mm forward adjustment (3D version only)

Pre-drilling recommended Ø2.5mm (3/32")
 Patent Pending

2D Locking Devices

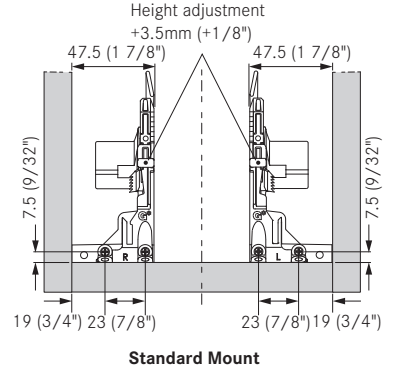


Narrow Front Locking Device with Height Adjustment



- Provides height adjustment for drawers
- For all drawer applications up to 48" in width
- Works with all narrow drawer applications
- Minimum inside drawer width 95mm (3 3/4")
- Height adjustment range: +3.5mm

Pre-drilling recommended Ø2.5mm (3/32")

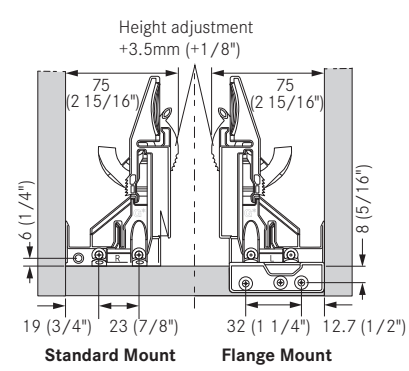


1D Front Locking Device with Height Adjustment



- Provides height adjustment for drawers
- For all drawer applications up to 48" in width
- Minimum inside drawer width 150mm (5 7/8")
- Height adjustment range: +3.5mm

Pre-drilling recommended Ø2.5mm (3/32")



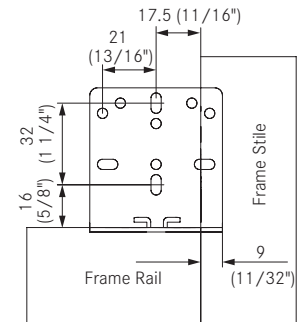
Rear Mounting Brackets for Face Frame Applications

Rear Mounting Bracket for 12" - 21" Slides



- For 12" - 21" drawers
- For face frame application

Pre-drilling recommended $\text{\O}2.5\text{mm}$ ($3/32"$)
Use a minimum of 3 screws per bracket,
#6 x $1/2"$ truss head screws.

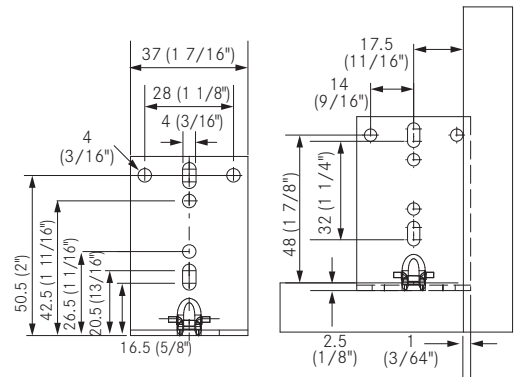


Narrow Rear Mounting Bracket for 12" - 21" Slides



- For 12" - 21" drawers
- For face frame application with narrow recess of side panel

Pre-drilling recommended $\text{\O}2.5\text{mm}$ ($3/32"$)

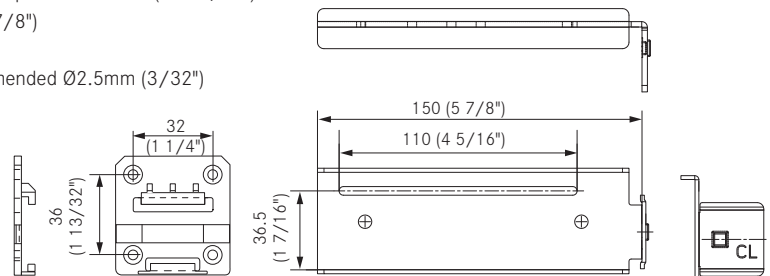


Rear Mounting Socket for 9" Slides



- For 9" drawer
- For face frame application
- For installation depth min 269mm ($10\ 19/32"$) to 352mm ($13\ 7/8"$)

Pre-drilling recommended $\text{\O}2.5\text{mm}$ ($3/32"$)



Technical Information

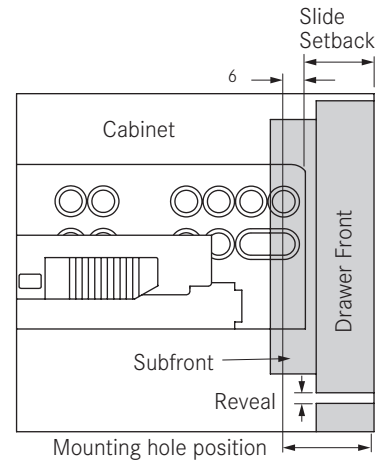
Inset drawer applications



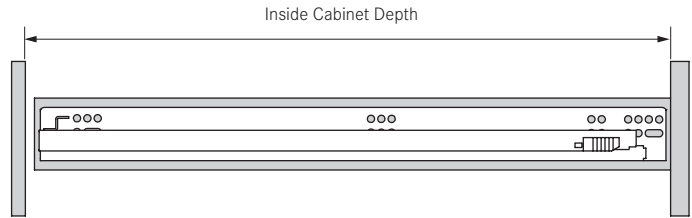
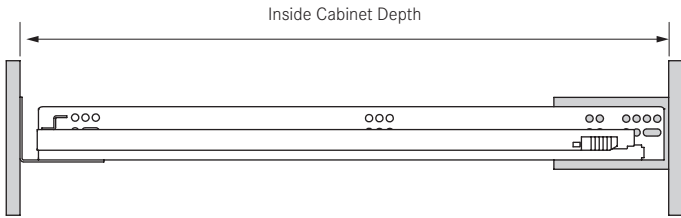
- For inset drawer application with subfronts
- For face frame and frameless applications
- Use corresponding charts based on front locking device to determine slide setback

IMPORTANT

To determine the correct application Grass strongly recommends a trial mounting for all slides.

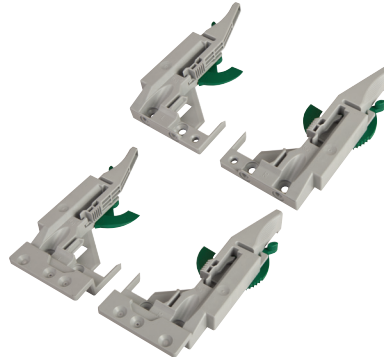
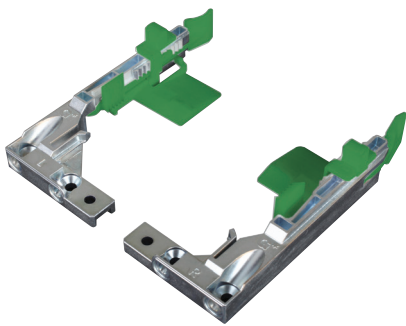


Face Frame Inset Drawer with Partial Blockout | Frameless Inset Drawer with Full Blockout



Slide Setback for Front Locking Devices

Narrow Front Locking Device | 1D Front Locking Devices



		Drawer Front Thickness				
		12.7	16	19	22	
Subfront Thickness	19	3/4"	18.2	21.5	24.5	27.5
	16	5/8"	15.7	19	22	25
	12.7	1/2"	15.7	19	22	25
Slide Setback						

		Drawer Front Thickness				
		12.7	16	19	22	
Subfront Thickness	19	3/4"	18.2	21.5	24.5	27.5
	16	5/8"	15.7	19	22	25
	12.7	1/2"	15.7	19	22	25
Slide Setback						

For Subfront 12,13,14,15,16:

Slide Setback = Drawer Front + 3mm

For Subfront 17,18,19:

Slide Setback = Drawer Front + Subfront - 13.5mm

For Subfront 12,13,14,15,16:

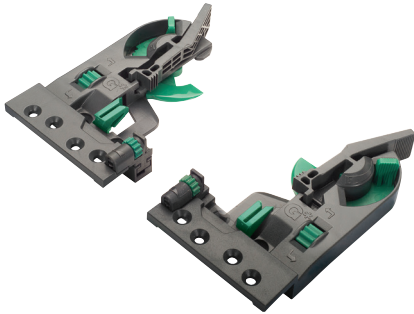
Slide Setback = Drawer Front + 3mm

For Subfront 17,18,19:

Slide Setback = Drawer Front + Subfront - 13.5mm

Slide Setback for 2D and 3D Front Locking Devices

3D Flanged Front Locking Device



		Drawer Front Thickness				
		12.7	16	19	22	
Subfront Thickness		1/2"	5/8"	3/4"	7/8"	
	19	3/4"	18.2	21.5	24.5	27.5
	16	5/8"	18.2	21.5	24.5	27.5
	12.7	1/2"	18.2	21.5	24.5	27.5
Slide Setback						

Slide Setback = Drawer Front + 5.5mm (Based on depth adjuster fully retracted)

Slide setback for inset application based on depth adjuster fully retracted

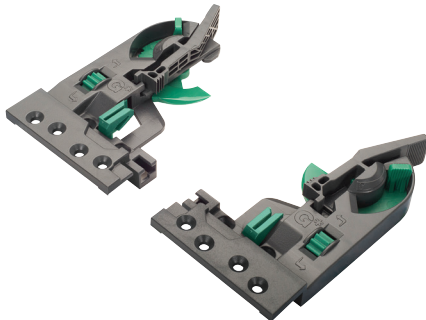
3D Front Locking Device



		Drawer Front Thickness				
		12.7	16	19	22	
Subfront Thickness		1/2"	5/8"	3/4"	7/8"	
	19	3/4"	19.7	23.0	26.0	29.0
	16	5/8"	16.7	20.0	23.0	26.0
	12.7	1/2"	16.7	20.0	23.0	26.0
Slide Setback						

Slide setback for inset application based on depth adjuster fully retracted

2D Flanged Front Locking Device



		Drawer Front Thickness				
		12.7	16	19	22	
Subfront Thickness		1/2"	5/8"	3/4"	7/8"	
	19	3/4"	17.7	21.0	24.0	27.0
	16	5/8"	17.7	21.0	24.0	27.0
	12.7	1/2"	17.7	21.0	24.0	27.0
Slide Setback						

Slide Setback = Drawer Front + 5mm

2D Front Locking Device



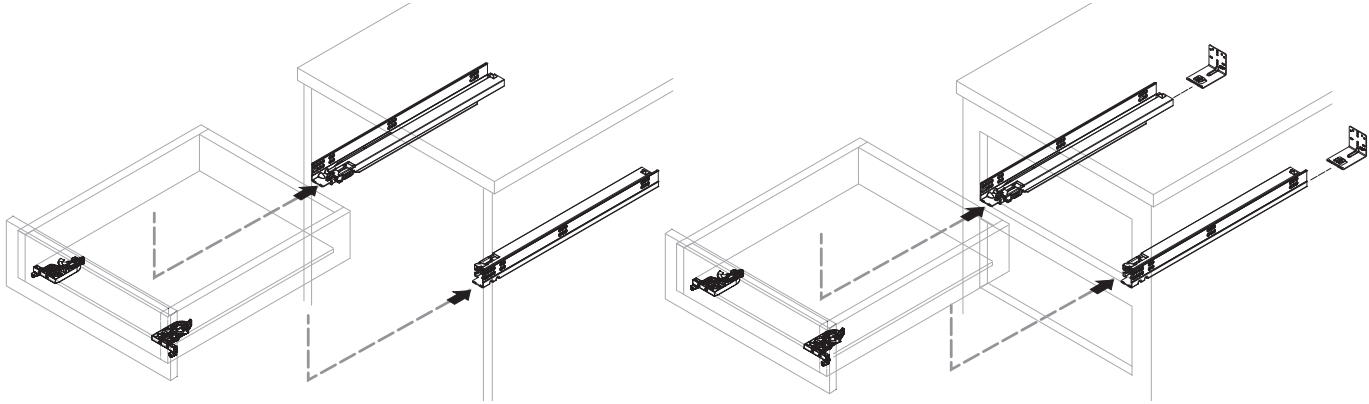
		Drawer Front Thickness				
		12.7	16	19	22	
Subfront Thickness		1/2"	5/8"	3/4"	7/8"	
	19	3/4"	17.2	20.5	23.5	26.5
	16	5/8"	16.7	20.0	23.0	26.0
	12.7	1/2"	16.7	20.0	23.0	26.0
Slide Setback						

Technical Information

Dynapro2.0

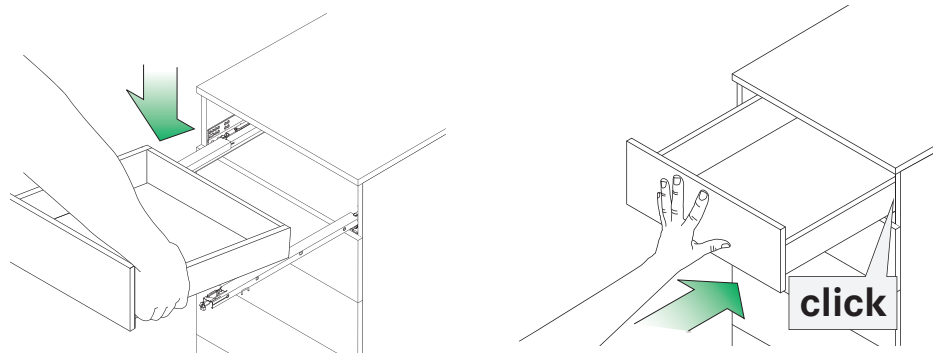
Dynapro2.0 Application

- For drawer material from 12.7mm (1/2") to 19mm (3/4")
- For frameless or face frame application
- Use rear bracket or blockout for face frame application



Inserting the Drawer

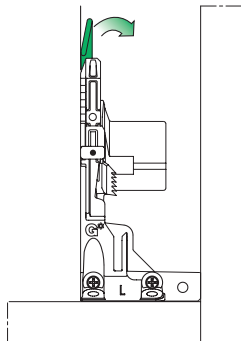
Place drawer on extended Dynapro2.0 slide and push in until it engages audibly



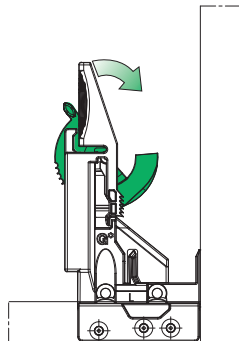
Disengaging the Drawer

Pull the drawer out, squeeze the front locking device levers and lift drawer from the slide.

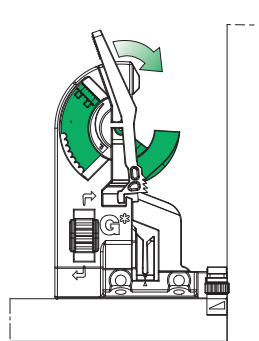
Narrow Front Locking Device



1D Front Locking Device



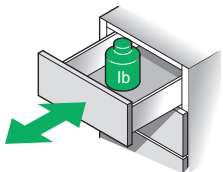
2D/3D Front Locking Devices



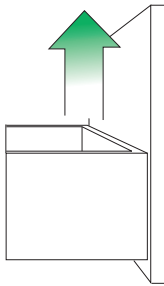
Weight Capacities per Pair of Slides

Dynapro2.0: 100 lb static load rating, 90 lb dynamic load rating

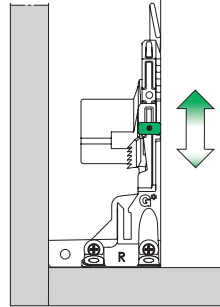
Dynapro2.0 meets and exceeds the minimum requirements of ANSI/BHMA A156.9 Standard, Grade 1
Tested in frameless cabinetry using a minimum of 4 mounting screws



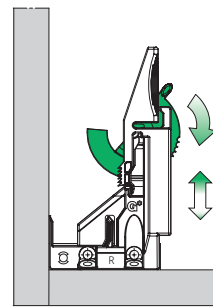
Height Adjustment (max +3.5mm)



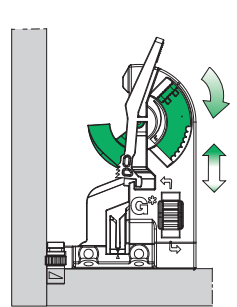
Narrow Front Locking Device



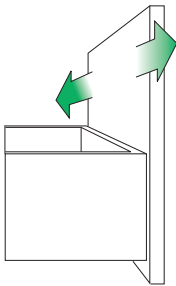
1D Front Locking Device



2D/3D Front Locking Devices

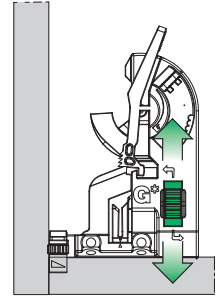


Side Adjustment (max ±1.5mm)



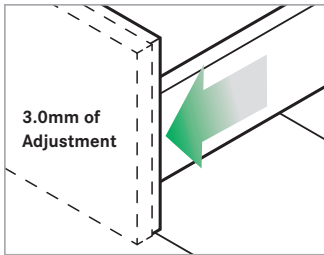
Adjust both wheels in the same direction

2D/3D Front Locking Devices



Depth Adjustment

With 2D/3D Front Locking Device (3.0mm forward)

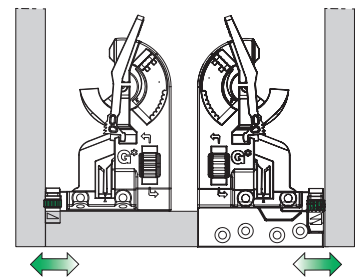


Adjustment

For up to 3.0mm of forward adjustment turn both adjustment wheels toward outside of drawer.

Standard

Flanged



Dynapro2.0 16, Full Extension Slide

Integrated Soft-close with optional 3-dimensional adjustment for 16mm (5/8") drawer material

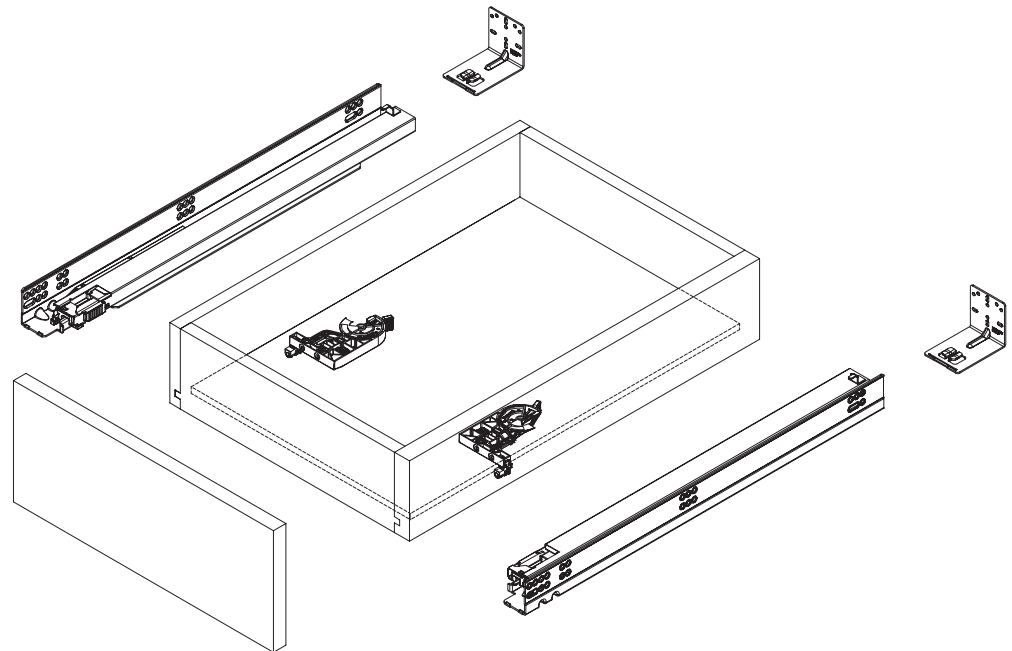


- Face frame or frameless applications from 12.7mm (1/2") to 16mm (5/8") drawer material
- Full extension with a synchronized mechanism
- Soft-close liquid damping system
- Self-latching front locking devices have easy release levers for drawer removal and installation
- Height adjustment +3.5mm with suitable front locking device
- Side adjustment ± 1.5 mm with suitable front locking device
- Depth adjustment +3.0mm forward with suitable front locking device
- 100 lb static load rating (45 kg)

Dynapro2.0 16 Full Extension Slide, 100 lb (45 kg) Static

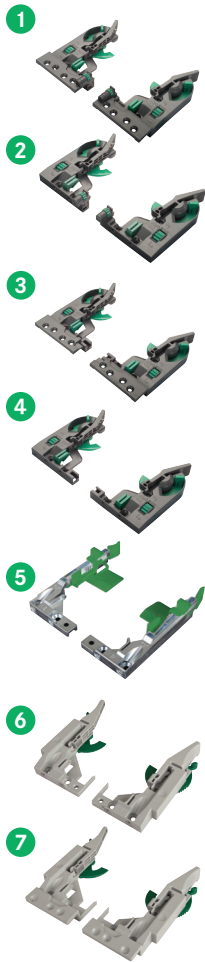


Drawer Length	Nominal Length	Min Installation Depth	Max Installation Depth	Item No.	PU
229 (9")	262 (10 5/16")	269 (10 19/32")	352 (13 7/8")	13100-03	5
305 (12")	323 (12 23/32")	327 (12 7/8")	370 (14 9/16")	13101-03	5
381 (15")	399 (15 23/32")	403 (15 7/8")	446 (17 9/16")	13102-03	5
457 (18")	475 (18 11/16")	479 (18 27/32")	522 (20 9/16")	13103-03	5
533 (21")	551 (21 11/16")	555 (21 27/32")	598 (23 17/32")	13104-03	5
381 (15")	399 (15 23/32")	403 (15 7/8")	446 (17 9/16")	13102-12	200
457 (18")	475 (18 11/16")	479 (18 27/32")	522 (20 9/16")	13103-12	200
533 (21")	551 (21 11/16")	555 (21 27/32")	598 (23 17/32")	13104-12	200



PU - Packaging unit

Front Locking Devices



Description	Adjustments	Item No.	PU
(Must order separately)			
1 3D Flanged front locking device, left	height, side, depth	F134108942233	200
3D Flanged front locking device, right	height, side, depth	F134108943233	200
2 3D Front locking device, left	height, side, depth	F134108947233	200
3D Front locking device, right	height, side, depth	F134108948233	200
3 2D Flanged front locking device, left	height, side	F134108944233	200
2D Flanged front locking device, right	height, side	F134108945233	200
4 2D Front locking device, left	height, side	F134108950233	200
2D Front locking device, right	height, side	F134108951233	200
5 Narrow front locking device, left	height	F134100699233	200
Narrow front locking device, right	height	F134100700233	200
6 1D front locking device, left	height	F134101221233	200
1D front locking device, right	height	F134101222233	200
7 1D flanged front locking device, left	height	F134116420233	200
1D flanged front locking device, right	height	F134116421233	200
1D flanged front locking device, set	height	F134116422204	5

Rear Mounting Brackets

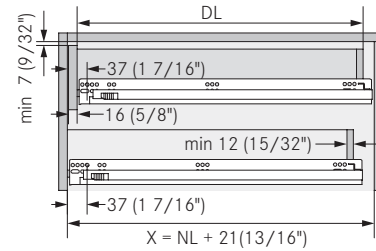
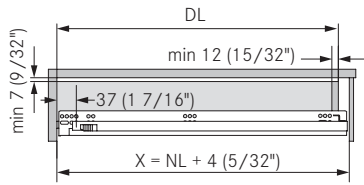
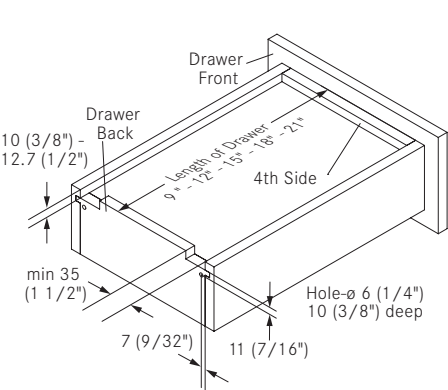


Description	Item No.	PU
(Must order separately)		
8 Rear mounting brackets, non-handed for 12"-21" slides, each	7950.VE300	300
9 Narrow rear mounting brackets, non-handed for 12"-21" slides, each	7951.VE300	300
10 Rear mounting sockets for 9" slides, set Set Includes: left and right sockets, (4) #M5 x 8 screw	00433-37	5

Dynapro2.0 16, Full Extension Slide

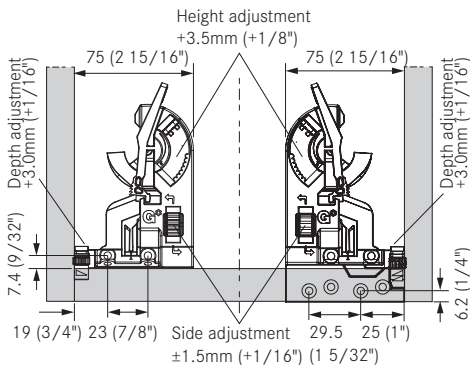
Integrated Soft-close with optional 3-dimensional adjustment for 16mm (5/8") drawer material

Drawer Measurements

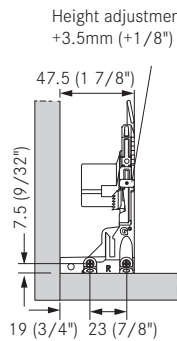


Front Locking Device Installation

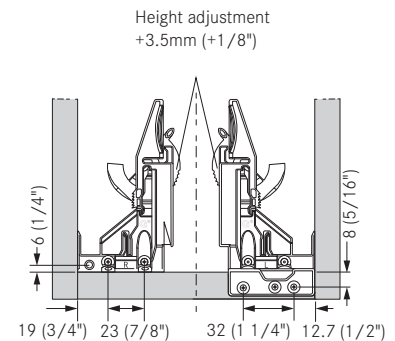
2D/3D Front Locking Devices



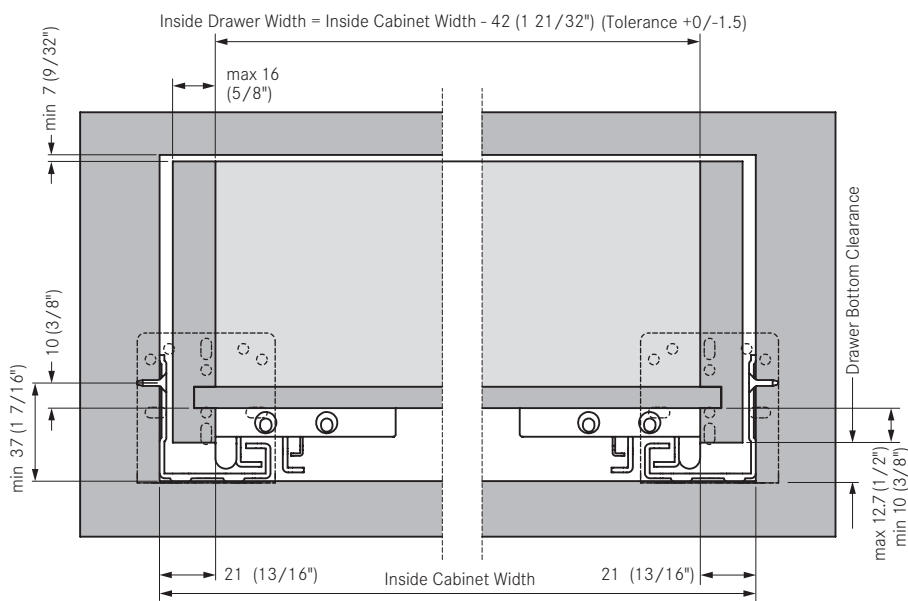
Narrow Front Locking Device



1D Front Locking Device



Drawer Installation Dimensions

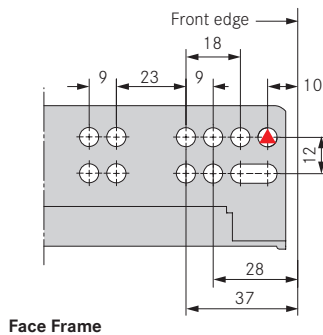


Minimum inside drawer width determined by front locking device. See page 8.

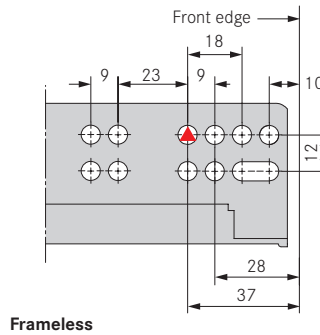
DL = drawer length
 ICW = inside cabinet width
 IDW = inside drawer width
 NL = nominal length
 X = minimum installation depth

Drawer Material Thickness	16mm (5/8")
Dynamic Load	90 lb (41 kg)
Static Load	100 lb (45 kg)

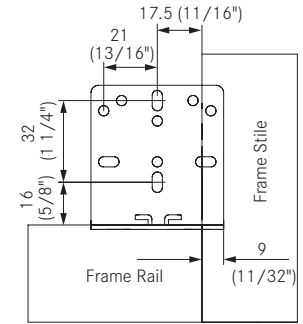
Mounting Position for Front Cabinet Profile **Rear Bracket for Face Frame**



Face Frame



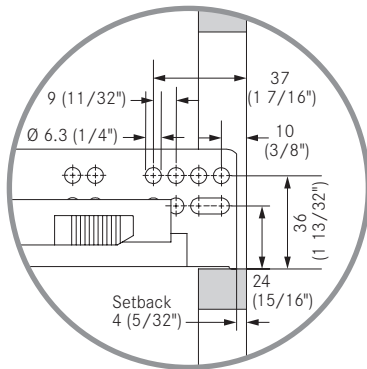
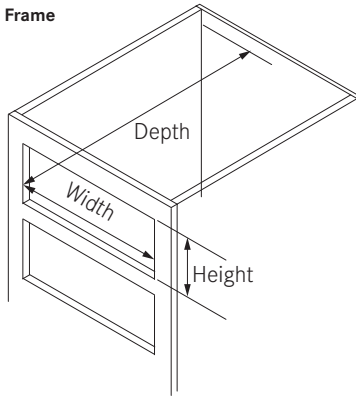
Frameless



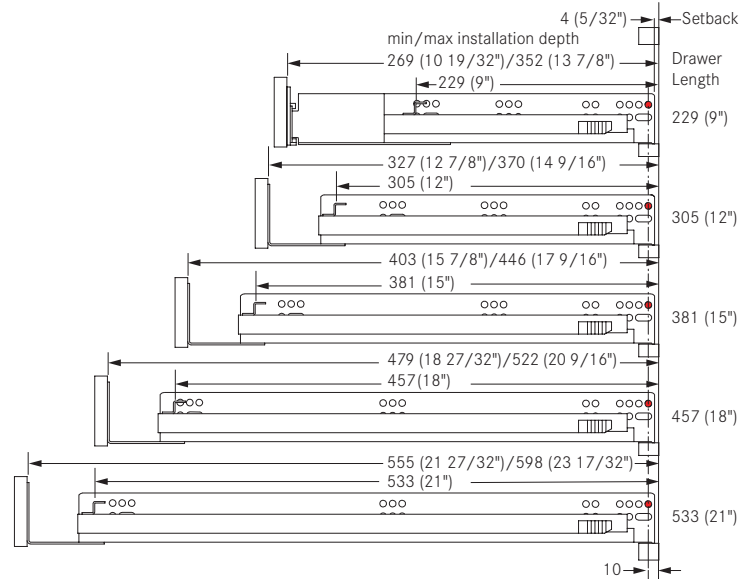
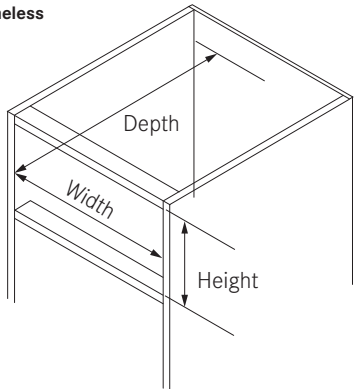
For face frame applications only. Use a minimum of 3 screws per bracket, #6 x 1/2" truss head screws. See page 9 for additional rear mounting brackets.

Cabinet Boring Specifications

Face Frame

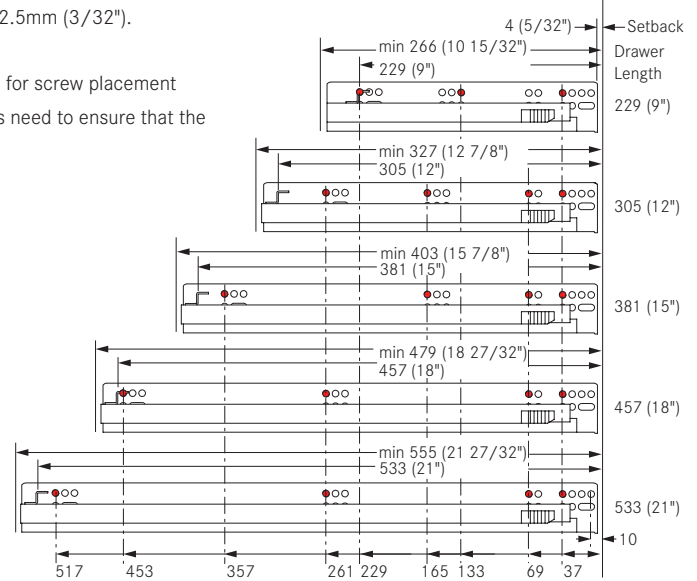


Frameless



Pre-drilling recommended $\varnothing 2.5\text{mm}$ (3/32").

Note: The recommendations for screw placement are guidelines only. Installers need to ensure that the cabinet wall is adequate.



Dynapro2.0 19, Full Extension Slide

Integrated Soft-close with optional 3-dimensional adjustment for 19mm (3/4") drawer material

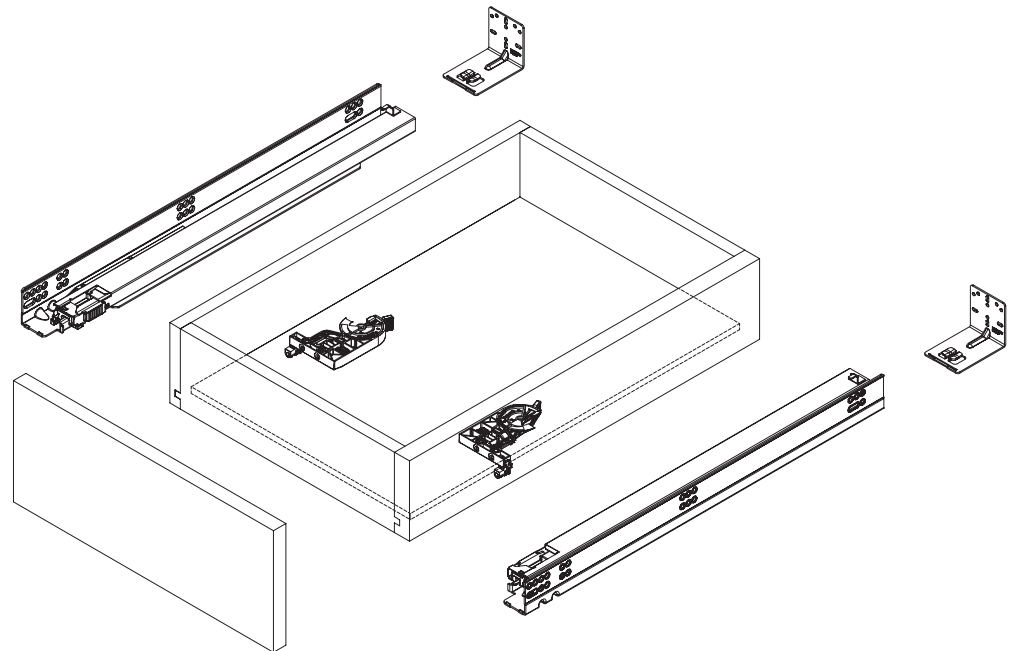


- Face frame or frameless applications from 16mm (5/8") to 19mm (3/4") drawer material
- Full extension with a synchronized mechanism
- Soft-close liquid damping system
- Self-latching front locking devices have easy release levers for drawer removal and installation
- Height adjustment +3.5mm with suitable front locking device
- Side adjustment $\pm 1.5\text{mm}$ with suitable front locking device
- Depth adjustment +3.0mm forward with suitable front locking device
- 100 lb static load rating (45 kg)

Dynapro2.0 19 Full Extension Slide, 100 lb (45 kg) Static

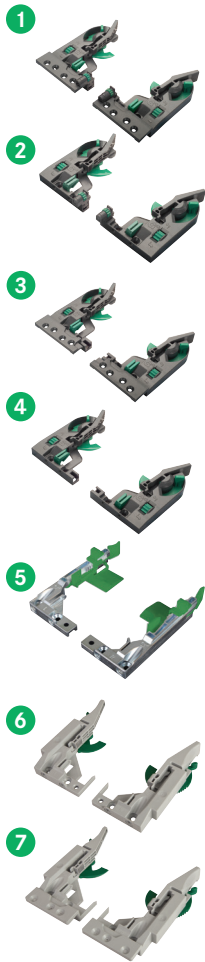


Drawer Length	Nominal Length	Min Installation Depth	Max Installation Depth	Item No.	PU
229 (9")	262 (10 5/16")	269 (10 19/32")	352 (13 7/8")	13105-03	5
305 (12")	323 (12 23/32")	327 (12 7/8")	370 (14 9/16")	13106-03	5
381 (15")	399 (15 23/32")	403 (15 7/8")	446 (17 9/16")	13107-03	5
457 (18")	475 (18 11/16")	479 (18 27/32")	522 (20 9/16")	13108-03	5
533 (21")	551 (21 11/16")	555 (21 27/32")	598 (23 17/32")	13109-03	5
457 (18")	475 (18 11/16")	479 (18 27/32")	522 (20 9/16")	13108-12	200
533 (21")	551 (21 11/16")	555 (21 27/32")	598 (23 17/32")	13109-12	200



PU - Packaging unit

Front Locking Devices



Description	Adjustments	Item No.	PU
(Must order separately)			
1 3D Flanged front locking device, left	height, side, depth	F134108942233	200
3D Flanged front locking device, right	height, side, depth	F134108943233	200
2 3D Front locking device, left	height, side, depth	F134108947233	200
3D Front locking device, right	height, side, depth	F134108948233	200
3 2D Flanged front locking device, left	height, side	F134108944233	200
2D Flanged front locking device, right	height, side	F134108945233	200
4 2D Front locking device, left	height, side	F134108950233	200
2D Front locking device, right	height, side	F134108951233	200
5 Narrow front locking device, left	height	F134100699233	200
Narrow front locking device, right	height	F134100700233	200
6 1D front locking device, left	height	F134101221233	200
1D front locking device, right	height	F134101222233	200
7 1D flanged front locking device, left	height	F134116420233	200
1D flanged front locking device, right	height	F134116421233	200
1D flanged front locking device, set	height	F134116422204	5

Rear Mounting Brackets

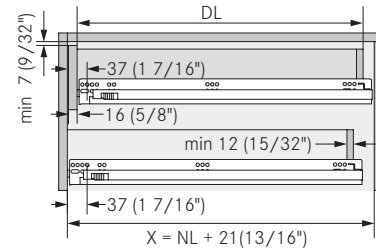
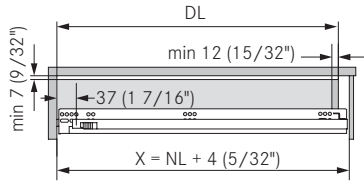
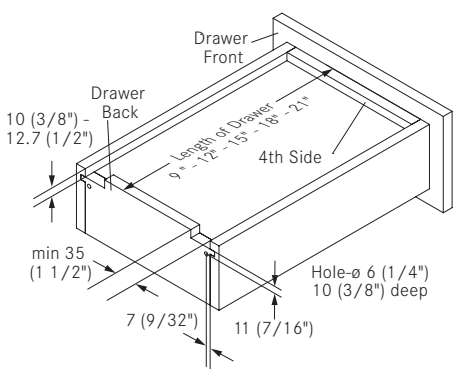


Description	Item No.	PU
(Must order separately)		
8 Rear mounting brackets, non-handed for 12"-21" slides, each	7950.VE300	300
9 Narrow rear mounting brackets, non-handed for 12"-21" slides, each	7951.VE300	300
10 Rear mounting sockets for 9" slides, set Set Includes: left and right sockets, (4) #M5 x 8 screw	00433-37	5

Dynapro2.0 19, Full Extension Slide

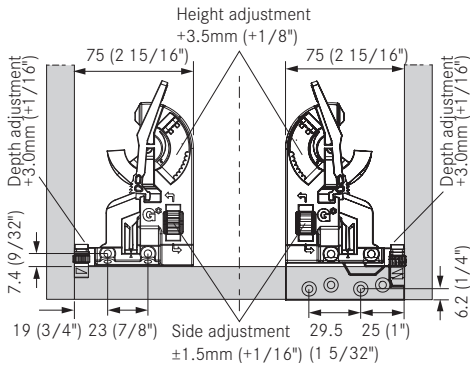
Integrated Soft-close with optional 3-dimensional adjustment for 19mm (3/4") drawer material

Drawer Measurements Drawer Inset Roll-out Drawer

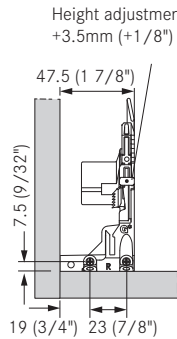


Front Locking Device Installation

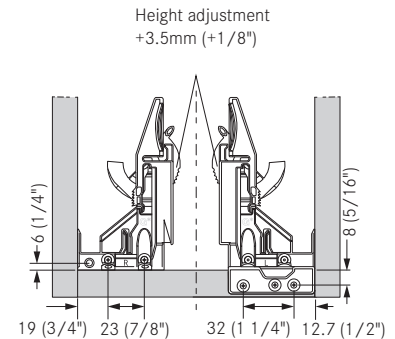
2D/3D Front Locking Devices



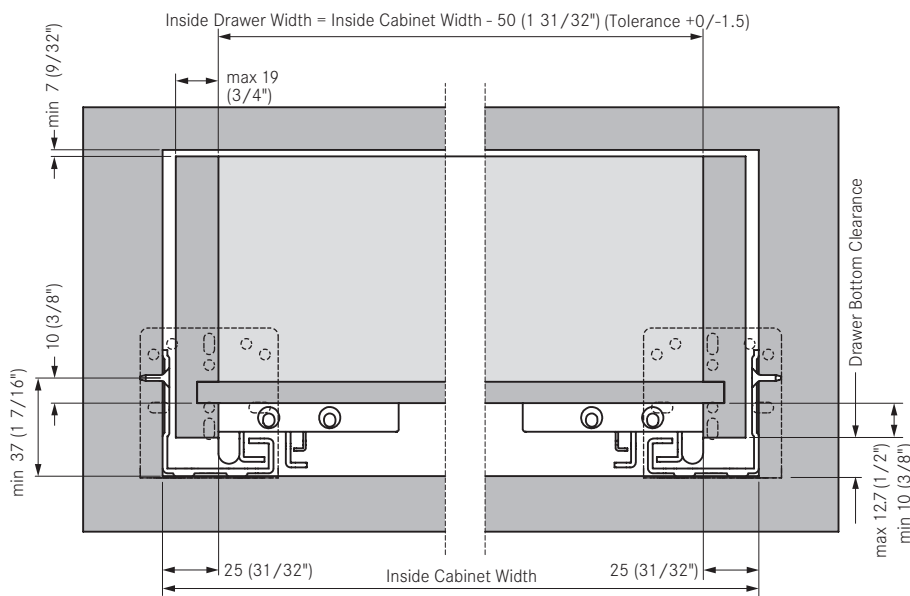
Narrow Front Locking Device



1D Front Locking Device



Drawer Installation Dimensions

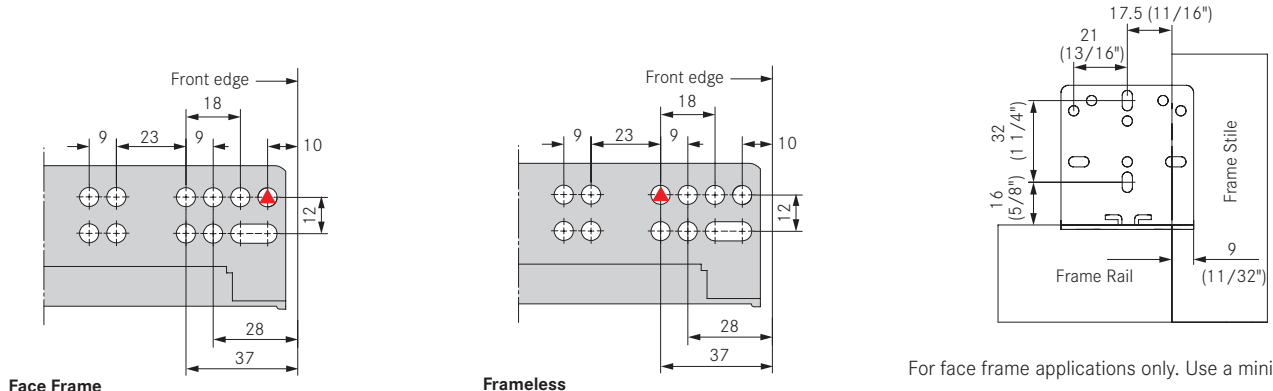


Minimum inside drawer width determined by front Locking device. See page 8.

- DL = drawer length
- ICW = inside cabinet width
- IDW = inside drawer width
- NL = nominal length
- X = minimum installation depth

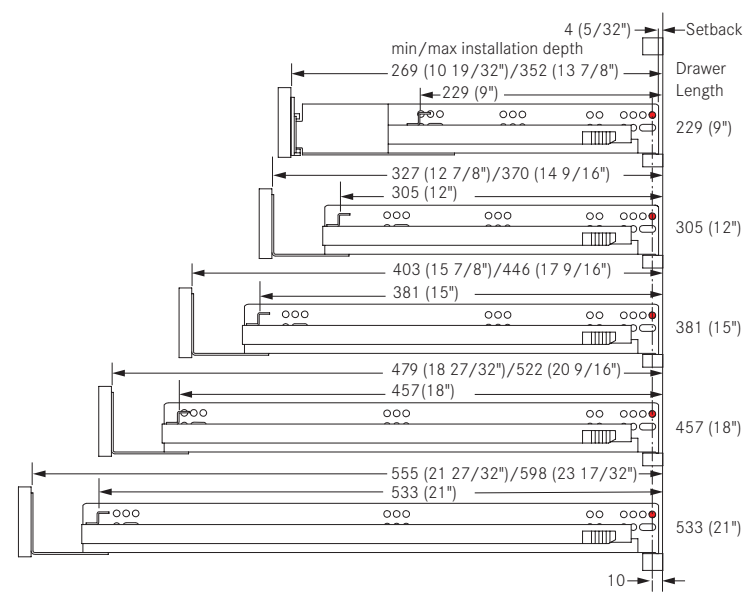
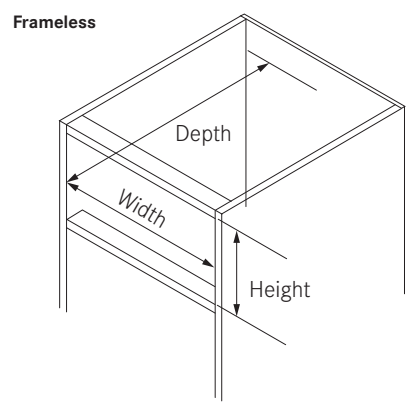
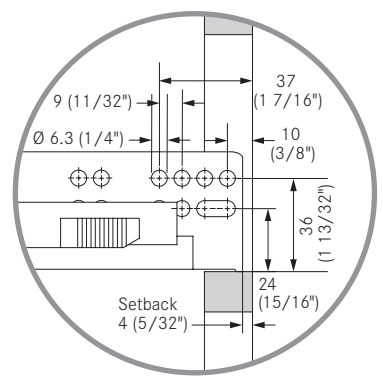
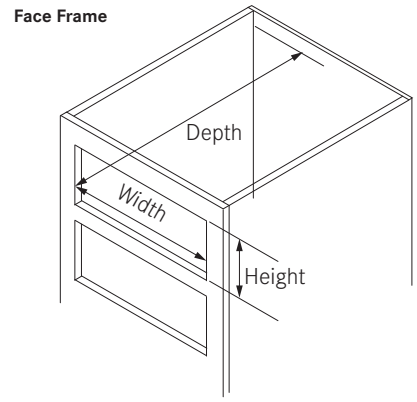
Drawer Material Thickness	19mm (3/4")
Dynamic Load	90 lb (41 kg)
Static Load	100 lb (41 kg)

Mounting Position for Front Cabinet Profile **Rear Bracket for Face Frame**



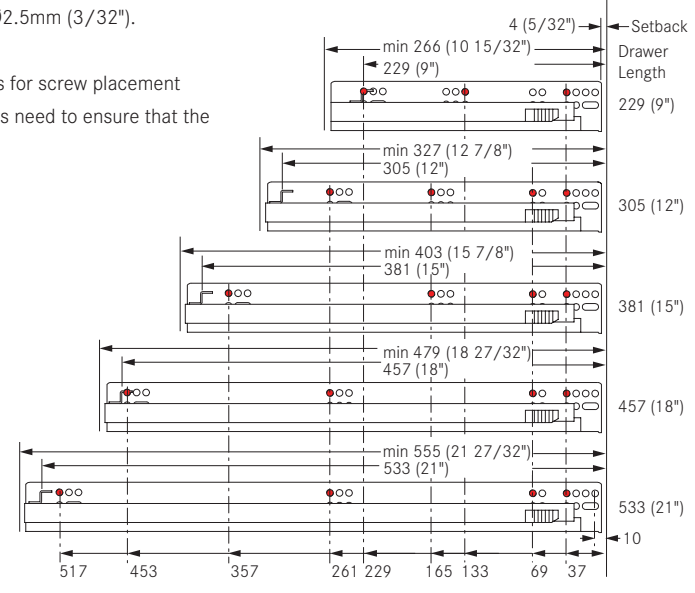
For face frame applications only. Use a minimum of 3 screws per bracket, #6 x 1/2" truss head screws. See page 9 for additional rear mounting brackets.

Cabinet Boring Specifications



Pre-drilling recommended Ø2.5mm (3/32").

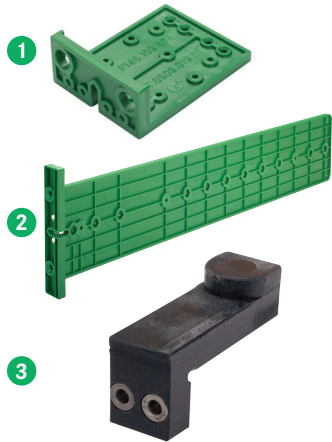
Note: The recommendations for screw placement are guidelines only. Installers need to ensure that the cabinet wall is adequate.



Accessories and Assembly Aids

Dynapro2.0

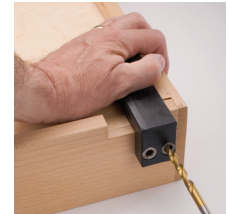
Drilling Template for Drawer



Drawer Drilling Template for drilling front locking devices, drawer hole hook, or adjustment adapters

- Use to precisely bore holes in the drawer back
- Use with a standard 1/4" (6mm) drill bit and stop collar

Description	Item No.	PU
1 Drilling template - Drawer	F146109874299	1
2 Drilling template - Cabinet member	F146101348507	1
3 Elite Plus drilling template	02511-01	1



Left Side Drilling

Right Side Drilling

Centering Drill Bit Ø 2.5mm



The GRASS centering drill bit is used for pre-drilling countersink wood screws, Ø 2.5mm

Description	Item No.	PU
Centering drill bit	35692-01	1

Inset Bracket Set



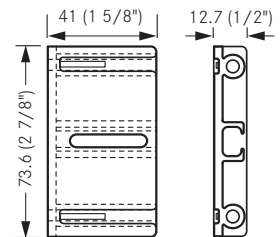
- For face frame inset applications with Dynapro2.0
- Works with all inset applications
- Bracket mounts behind the face frame, minimum 12.7mm (1/2") frame offset required
- Slide attaches easily with one screw
- Includes guide markings for proper setback



Description	Item No.	PU
Inset bracket set	13901-37	1
Inset bracket set	13901-08	50

Polybag set consists of:

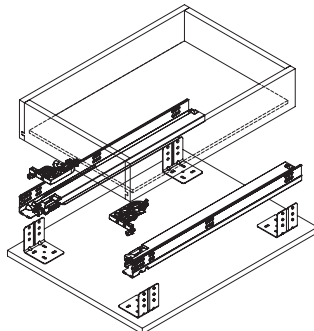
- 2 - Universal Inset Bracket ABS Brown
- 2 - 8 X 32 Tapped Insert for Inset bracket
- 4 - #7 X 2" mounting screws
- 2 - #8 - 32 X 1/2" Machine Screw FHP
- 1 - Instructions



Interior Drawer Bracket



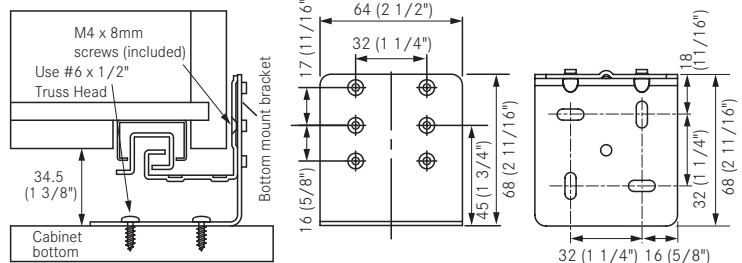
- Used to mount slides to a cabinet bottom or shelf for interior roll out trays.
- Works with Dynapro2.0, Dynapro, and Nova Pro Scala drawer slide



Description	Item No.	PU
Interior drawer bracket, set	00443-40	25

Set consists of:

- 4 - non-handed, zinc plated, steel brackets
- 8 - M4 screws to attach slides to brackets
- 8 - #8 x 5/8" PHP screws to mount brackets to cabinet



PU - Packaging unit

Dynapro2.0

Screws

Euro Screw, Nickel-plated



Description	Item No.	PU
Euro Screw 11mm (7/16") Pozi	499.360.61.1015	500
Euro Screw 13mm (1/2") Pozi	499.360.61.3015	500

Wood Screw, Nickel-plated



Description	Item No.	PU
#6 x 5/8" FHP, NI	81001-43	500
#6 x 3/4" FHP, NI	81003-43	500

Bumper Pads

Bumper Pads, Self-adhesive



Description	Height	Diameter	Item No.	PU
Bumper pad, clear	2.5mm	10mm	63407-99	288
Bumper pad, clear	2.5mm	10mm	63407-47	7200

AirSoft Bumper Pads, Self-adhesive



Description	Height	Diameter	Item No.	PU
AirSoft Bumper pad, clear	5mm	12.7mm	63481-43	500
AirSoft Bumper pad, clear	5mm	12.7mm	63483-30	5000

Bumper Pads, Self-adhesive



Description	Height	Diameter	Item No.	PU
Bumper pad, clear	1.5mm	7mm	630.000.03.0750	1088
Bumper pad, clear	4mm	12mm	630.000.02.1250	5000

Bumper Pads, Self-adhesive



Description	Height	Diameter	Item No.	PU
Bumper pad, clear	3mm	12.7mm	31002-43	500
Bumper pad, clear	1.5mm	12.7mm	31004-43	500



GRASS America Inc.
1202 NC Highway 66 South
Kernersville, NC 27284

Phone: 1-800-334-3512
Fax: 1-800-525-8406

www.grassusa.com
info@grassusa.com

