

As individual as you:
AvanTech YOU drawer system
with Actro 5D drawer runner



Technik für Möbel

**Hettich**

AvanTech YOU double walled drawer system



As individual as you – AvanTech YOU

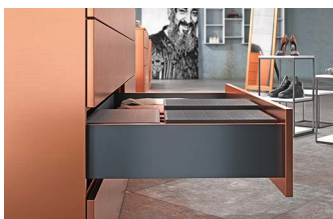
The new AvanTech YOU drawer system scores from design diversity and creative flexibility, from concealed working parts and perfect performance as well as from an efficient product concept geared to the customer.

Design distinctive drawers: the AvanTech YOU drawer is distinguished by immaculate beauty from its slimline and sleek 13 mm drawer side profile. And by the ability to turn personal ideas into reality every time.

Get a variety of clever functions: one drawer, two runners and numerous user friendly functions.

Flexibly combinable with each other by using one and the same drilling pattern.

Efficient and cost effective production: the comprehensive platform concept and perfect product adjustments to production and assembly processes guarantee cost effectiveness and efficient work flows while at the same time providing the basis for a broad product lineup.



Design diversity and creative flexibility:

different shapes, colours and materials consistently continue furniture design on the inside too.



Many different options for customisation:

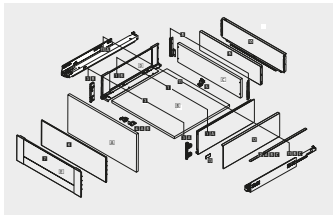
creative design flexibility in every detail. Attractive highlights are added with design profiles and DesignCapes.



Precision designed furniture:

AvanTech YOU competently combines technology, functionality and performance to suit any preference.

► Summary



AvanTech YOU

- Range summary 5
- Exploded drawing / Overview of components 6 - 7



AvanTech YOU drawer

- Height 77 mm 8 - 11
- Height 101 mm 12 - 15
- Height 139 mm 16 - 19



AvanTech YOU pot-and-pan drawer

- Height 187 mm 20 - 23
- Height 251 mm 24 - 27



AvanTech YOU Inlay pot-and-pan drawer

- Height 187 mm 28 - 31



AvanTech YOU

- Rear panels 32 - 34
- Front for internal drawers / internal pot-and-pan drawers 36 - 38
- Design elements / optional accessories 40 - 42
- Connector for front panels from 10 mm 44 - 45



AvanTech YOU drawer runners

- Actro YOU 46 - 49
- Quadro YOU 50 - 55
- Actro 5D for wooden drawers 63 - 67
- Screws 68



Technical information

- Planning dimensions / installation dimensions 56 - 58
- Example applications 59 - 61
- Quality criteria 69

AvanTech YOU double walled drawer system

- ▶ Range summary
- ▶ Powder coated steel, silver / white / anthracite



Drawer, height 77 mm

8 - 11



Drawer, height 101 mm

12 - 15



Drawer, height 139 mm

16 - 19



Pot-and-pan drawer, height 187 mm

20 - 23



Pot-and-pan drawer, height 251 mm

24 - 27



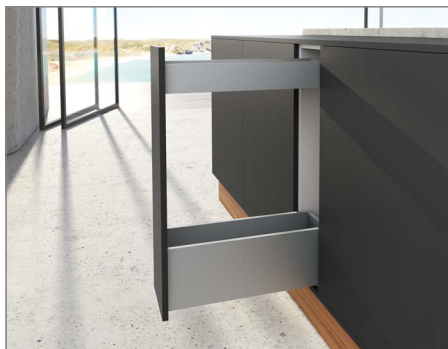
Inlay pot-and-pan drawer, height 187 mm

28 - 31



Internal drawer, height 101 / 139 mm,
internal pot-and-pan drawer, height 187 mm

36 - 38



Narrow base unit

59



Tall unit

60



Larder unit

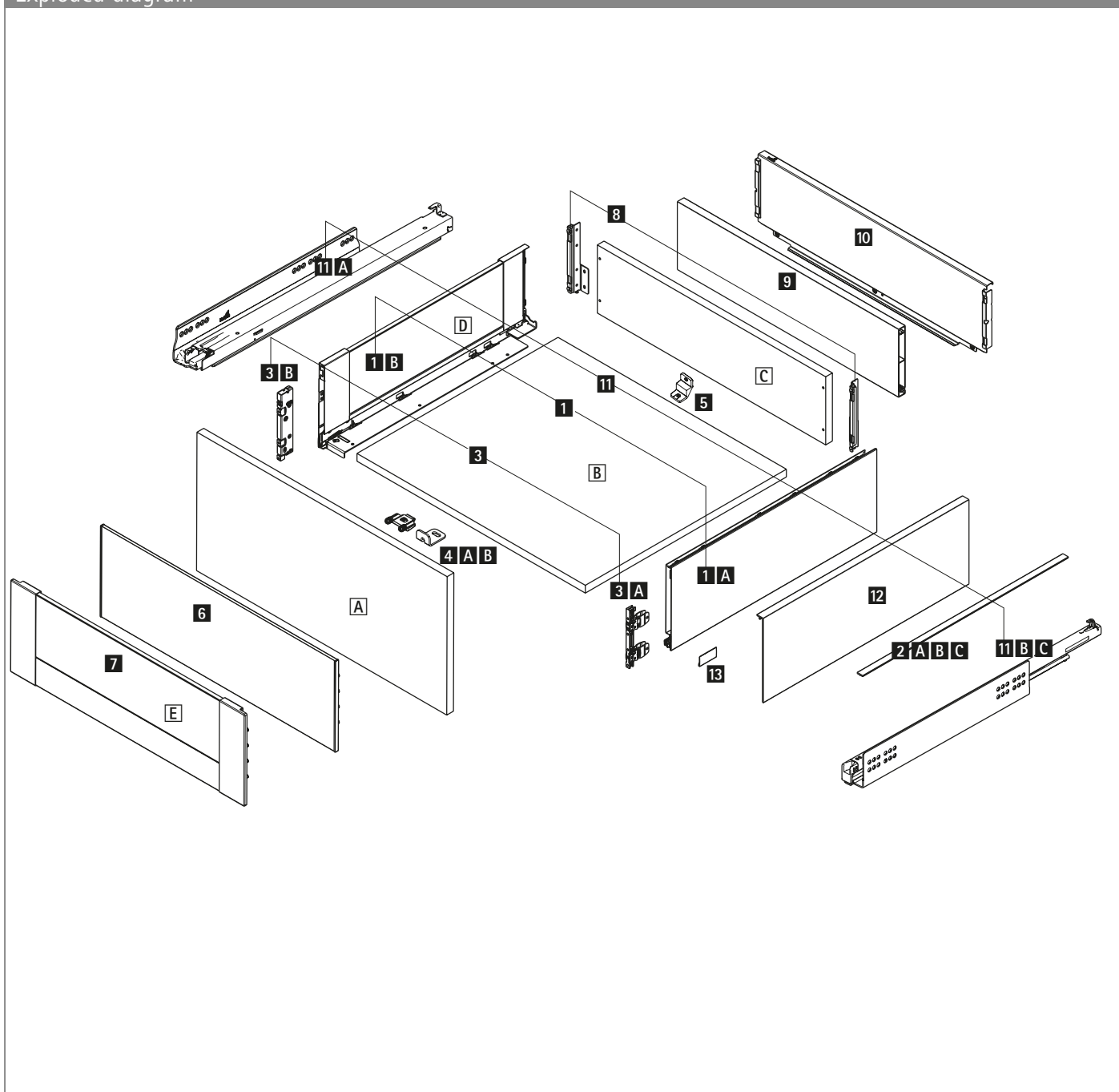
61

AvanTech YOU double walled drawer system

► Exploded drawing / Overview of components



Exploded diagram



AvanTech YOU double walled drawer system

► Exploded drawing / Overview of components

AvanTech YOU system components

Basic components

1 Drawer side profile, left and right

... **1 A** AvanTech YOU or

... **1 B** AvanTech YOU Inlay

2 Design profiles for top side of AvanTech YOU drawer side profile

A Front panel, see front panel options

3 Front connectors, left and right

... **3 A** for AvanTech YOU or

... **3 B** for AvanTech YOU Inlay

4 A / **4 B** Stabiliser for front panel / internal front panel

C Rear panel, see rear panel options

5 Rear panel stabiliser

Front panel options

A Front panel

6 Front panel for internal drawer / internal pot-and-pan drawer

7 Customisable front panel for internal drawer / internal pot-and-pan drawer

Rear panel options

C Wooden rear panel

8 Rear panel connector, left and right

9 Rear panel profile for cutting to length

10 Steel rear panel in standard cabinet body widths

Design options

2 A / **2 B** / **2 C** Design profile in drawer side profile colour / foil wrapped / customisable

12 DesignCape

13 Branding clip

Drawer runners

11 A Actro YOU full extension runner

11 B / **11 C** Quadro YOU full extension runner

Wooden elements cut to size

A Front panel

B Bottom panel

C Wooden rear panel

D AvanTech YOU Inlay - insert in any chosen material

E Customisable internal front panel - insert in any chosen material

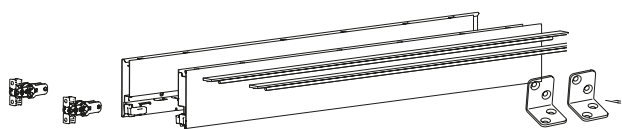


AvanTech YOU double walled drawer system

- ▶ Drawer height 77 mm
- ▶ Powder coated steel, silver / white / anthracite



1 Drawer side profile set, height 77 mm



- ▶ Integrated vertical, lateral and tilt adjustment
- ▶ Steel, powder coated

Set comprises:

- ▶ **1** 1 drawer side profile, left and right
- ▶ **2** 2 design profiles in drawer side profile colour
- ▶ **3** 2 drawer front connectors for screwing on
- ▶ **5** 2 rear panel stabilisers
- ▶ Fixing material

Note:

- ▶ For design options, see page 40 - 42

Nominal length mm	Order no. / surface finish			PU
	silver	white	anthracite	
400	9 255 240	9 255 280	9 255 320	1 set
450	9 255 241	9 255 281	9 255 321	1 set
500	9 255 242	9 255 282	9 255 322	1 set
550	9 255 243	9 255 283	9 255 323	1 set

5 Rear panel stabiliser



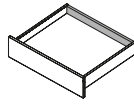
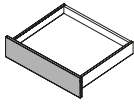
- ▶ For wooden rear panel, height 77 mm
- ▶ 1 each for cabinet body width ≥ 600 mm; 2 each for ≥ 800 mm; 3 each = 1200 mm
- ▶ Steel

Order no.	PU
0 079 665	1/100 ea.

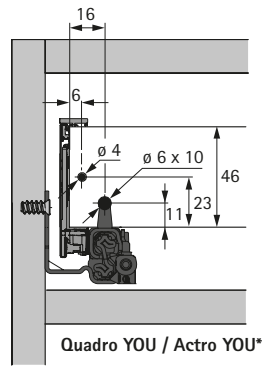
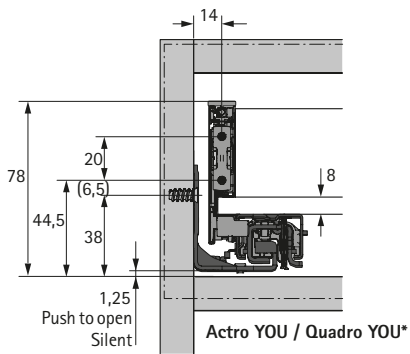
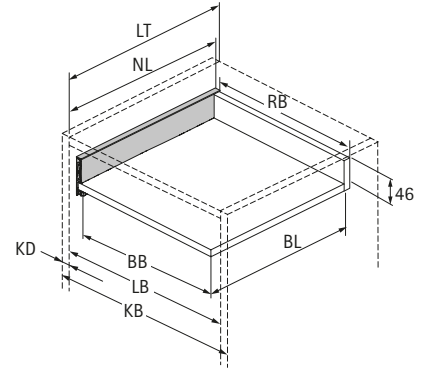
AvanTech YOU double walled drawer system

- ▶ Drawer height 77 mm
- ▶ Powder coated steel, silver / white / anthracite

Planning / installation dimensions



* All dimensions identical for Actro YOU and Quadro YOU

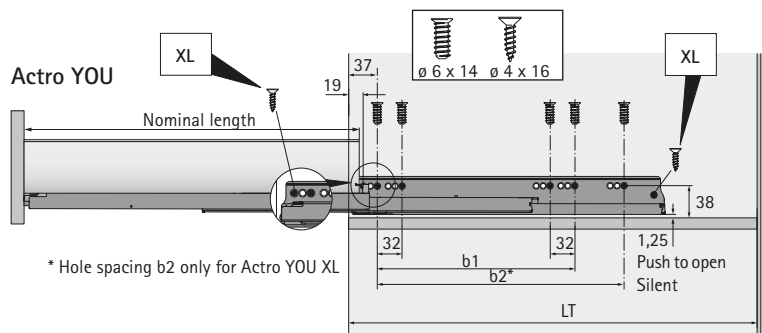
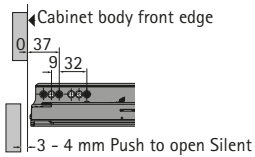


Dimension	mm
BL	NL - 26
BB	LB - 24
RB	LB - 24
LT	NL + 3

BB Bottom panel width	KB Cabinet body width	NL Nominal length	LB Clear inside width
BL Bottom panel length	RB Rear panel width	KD Cabinet body side thicknesses	LT Clear inside depth

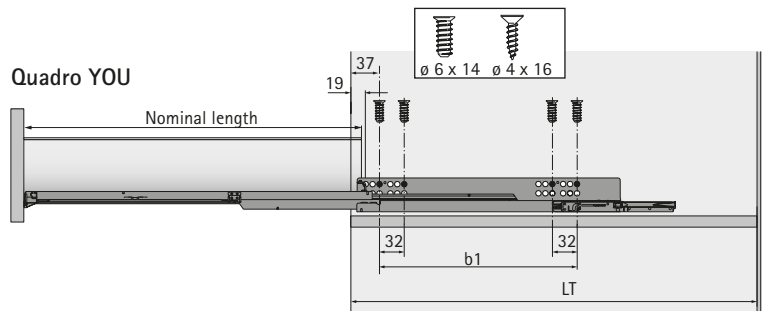
Positions for attaching Actro YOU / Quadro YOU drawer runner

AvanTech YOU Drawer / pot-and-pan drawer



* Hole spacing b2 only for Actro YOU XL

Nominal length mm	Hole spacing mm	
	b1	b2*
270	160	
300	160	
350	224	
400	224	
450	256	288
500	256	320
550	256	320
600	256	320
650	256	416



<https://www.hettich.com/short/f42bfo>

AvanTech YOU double walled drawer system

- ▶ Drawer height 77 mm
- ▶ Powder coated steel, silver / white / anthracite



1 A Drawer side profile, height 77 mm



- ▶ **2 A / B / C** Design profile must be ordered separately
- ▶ **3 A** Drawer front connector must be ordered separately
- ▶ Integrated vertical, lateral, depth and tilt adjustment
- ▶ Powder coated steel

Nominal length mm	Order no. / surface finish / mounting side						PU
	silver		white		anthracite		
	left	right	left	right	left	right	
400	9 255 000	9 255 001	9 255 080	9 255 081	9 255 160	9 255 161	10 ea.
450	9 255 002	9 255 003	9 255 082	9 255 083	9 255 162	9 255 163	10 ea.
500	9 255 004	9 255 005	9 255 084	9 255 085	9 255 164	9 255 165	10 ea.
550	9 255 006	9 255 007	9 255 086	9 255 087	9 255 166	9 255 167	10 ea.

2 A Design profile drawer side profile colour



- ▶ Any chosen top edge for drawer side profile
- ▶ For clipping on
- ▶ Plastic, solid coloured

Nominal length mm	Order no. / surface finish			PU
	silver	white	anthracite	
400	9 255 807	9 255 816	9 255 825	1/200 ea.
450	9 255 808	9 255 817	9 255 826	1/200 ea.
500	9 255 809	9 255 818	9 255 827	1/200 ea.
550	9 255 810	9 255 819	9 255 828	1/200 ea.

AvanTech YOU double walled drawer system

- ▶ Drawer height 77 mm
- ▶ Powder coated steel, silver / white / anthracite

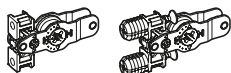
2 B Design profile, foil wrapped



- ▶ Any chosen top edge for drawer side profile
- ▶ For clipping on
- ▶ Plastic, foil wrapped

Nominal length mm	Order no. / surface finish					PU
	aluminium	stainless steel	chrome	oak	walnut	
400	9 255 762	9 255 771	9 255 780	9 255 789	9 255 798	1/100 ea.
450	9 255 763	9 255 772	9 255 781	9 255 790	9 255 799	1/100 ea.
500	9 255 764	9 255 773	9 255 782	9 255 791	9 255 800	1/100 ea.
550	9 255 765	9 255 774	9 255 783	9 255 792	9 255 801	1/100 ea.

3 A Drawer front connector for drawer side profile, height 77 mm



- ▶ For screwing on or knocking in
- ▶ Steel

Mounting option	Order no.	PU
for screwing on	9 255 832	1/100 ea.
for knocking in	9 255 833	1/100 ea.

5 Rear panel stabiliser



- ▶ For wooden rear panel, height 77 mm
- ▶ 1 each for cabinet body width ≥ 600 mm; 2 each for ≥ 800 mm; 3 each = 1200 mm
- ▶ Steel

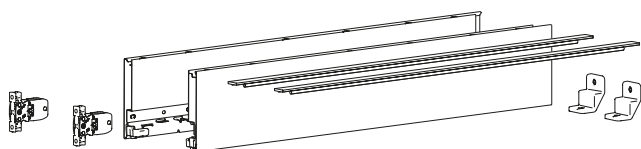
Order no.	PU
0 079 665	1/100 ea.

AvanTech YOU double walled drawer system

- ▶ Drawer height 101 mm
- ▶ Powder coated steel, silver / white / anthracite



1 Drawer side profile set, height 101 mm



- ▶ Integrated vertical, lateral and tilt adjustment
- ▶ Steel, powder coated

Set comprises:

- ▶ **1** 1 drawer side profile, left and right
- ▶ **2** 2 design profiles in drawer side profile colour
- ▶ **3** 2 drawer front connectors for screwing on
- ▶ **5** 2 rear panel stabilisers
- ▶ Fixing material

Note:

- ▶ For design options, see page 40 - 42

Nominal length mm	Order no. / surface finish			PU
	silver	white	anthracite	
270	9 255 244	9 255 284	9 255 324	1 set
300	9 255 245	9 255 285	9 255 325	1 set
350	9 255 246	9 255 286	9 255 326	1 set
400	9 255 247	9 255 287	9 255 327	1 set
450	9 255 248	9 255 288	9 255 328	1 set
500	9 255 249	9 255 289	9 255 329	1 set
550	9 255 250	9 255 290	9 255 330	1 set
600	9 255 251	9 255 291	9 255 331	1 set
650	9 255 252	9 255 292	9 255 332	1 set

5 Rear panel stabiliser



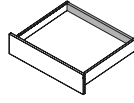
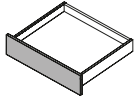
- ▶ For wooden and aluminium rear panels
- ▶ 1 each for cabinet body width < 600 mm; 2 each ≥ 600 mm; 3 each ≥ 800 mm; 5 each = 1200 mm
- ▶ Plastic

Order no.	PU
9 257 702	1/200 ea.

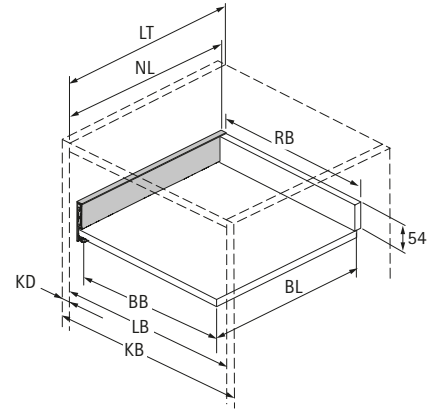
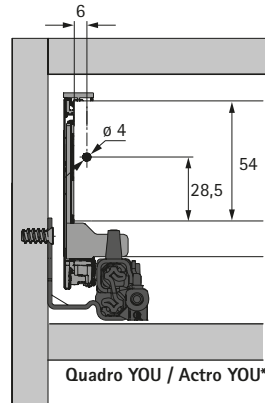
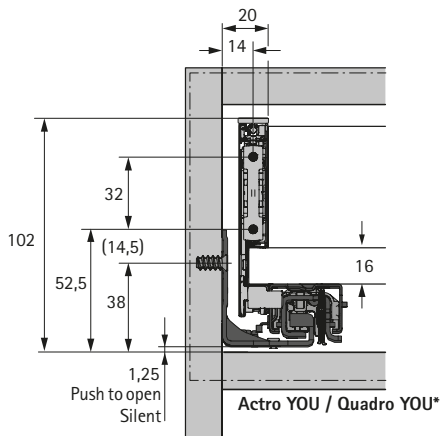
AvanTech YOU double walled drawer system

- ▶ Drawer height 101 mm
- ▶ Powder coated steel, silver / white / anthracite

Planning / installation dimensions



* All dimensions identical for Actro YOU and Quadro YOU

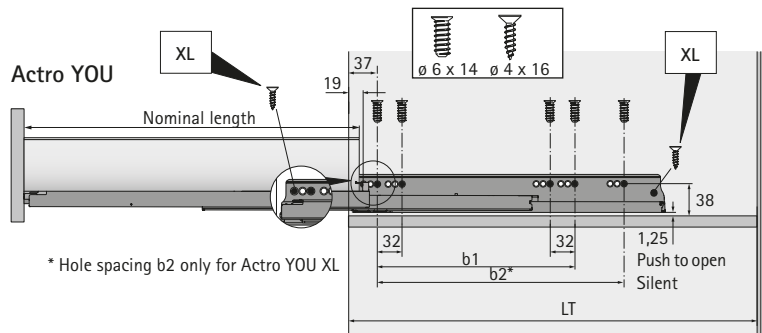
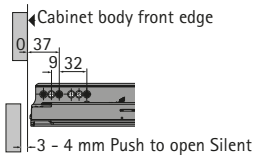


BB Bottom panel width	KB Cabinet body width	NL Nominal length	LB Clear inside width
BL Bottom panel length	RB Rear panel width	KD Cabinet body side thicknesses	LT Clear inside depth

Dimension		mm
BL		NL - 21
BB		LB - 24
RB		LB - 24
LT		NL + 3
LT	Internal drawer / internal pot-and-pan drawer	NL + 12
LT	Internal drawer / internal pot-and-pan drawer Push to open Silent	NL + 21

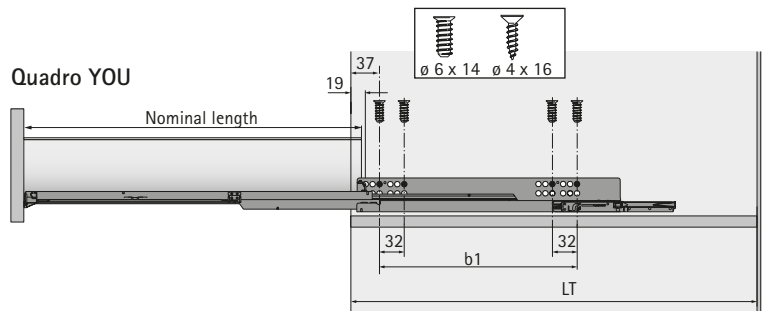
Positions for attaching Actro YOU / Quadro YOU drawer runner

AvanTech YOU Drawer / pot-and-pan drawer



* Hole spacing b2 only for Actro YOU XL

Nominal length mm	Hole spacing mm	
	b1	b2*
270	160	
300	160	
350	224	
400	224	
450	256	288
500	256	320
550	256	320
600	256	320
650	256	416



<https://www.hettich.com/short/f42bf0>

AvanTech YOU double walled drawer system

- ▶ Drawer height 101 mm
- ▶ Powder coated steel, silver / white / anthracite



1 A Drawer side profile, height 101 mm



- ▶ **2 A / B / C** Design profile must be ordered separately
- ▶ **3 A** Drawer front connector must be ordered separately
- ▶ **12** DesignCape can be ordered separately
- ▶ Integrated vertical, lateral, depth and tilt adjustment
- ▶ Powder coated steel

Nominal length mm	Order no. / surface finish / mounting side						PU
	silver		white		anthracite		
	left	right	left	right	left	right	
270	9 255 008	9 255 009	9 255 088	9 255 089	9 255 168	9 255 169	20 ea.
300	9 255 010	9 255 011	9 255 090	9 255 091	9 255 170	9 255 171	20 ea.
350	9 255 012	9 255 013	9 255 092	9 255 093	9 255 172	9 255 173	20 ea.
400	9 255 014	9 255 015	9 255 094	9 255 095	9 255 174	9 255 175	20 ea.
450	9 255 016	9 255 017	9 255 096	9 255 097	9 255 176	9 255 177	20 ea.
500	9 255 018	9 255 019	9 255 098	9 255 099	9 255 178	9 255 179	20 ea.
550	9 255 020	9 255 021	9 255 100	9 255 101	9 255 180	9 255 181	20 ea.
600	9 255 022	9 255 023	9 255 102	9 255 103	9 255 182	9 255 183	20 ea.
650	9 255 024	9 255 025	9 255 104	9 255 105	9 255 184	9 255 185	20 ea.

2 A Design profile drawer side profile colour



- ▶ Any chosen top edge for drawer side profile
- ▶ For clipping on
- ▶ Plastic, solid coloured

Nominal length mm	Order no. / surface finish			PU
	silver	white	anthracite	
270	9 255 804	9 255 813	9 255 822	1/200 ea.
300	9 255 805	9 255 814	9 255 823	1/200 ea.
350	9 255 806	9 255 815	9 255 824	1/200 ea.
400	9 255 807	9 255 816	9 255 825	1/200 ea.
450	9 255 808	9 255 817	9 255 826	1/200 ea.
500	9 255 809	9 255 818	9 255 827	1/200 ea.
550	9 255 810	9 255 819	9 255 828	1/200 ea.
600	9 255 811	9 255 820	9 255 829	1/200 ea.
650	9 255 812	9 255 821	9 255 830	1/200 ea.

AvanTech YOU double walled drawer system

- ▶ Drawer height 101 mm
- ▶ Powder coated steel, silver / white / anthracite

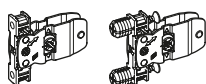
2 B Design profile, foil wrapped



- ▶ Any chosen top edge for drawer side profile
- ▶ For clipping on
- ▶ Plastic, foil wrapped

Nominal length mm	Order no. / surface finish					PU
	aluminium	stainless steel	chrome	oak	walnut	
270	9 255 759	9 255 768	9 255 777	9 255 786	9 255 795	1/100 ea.
300	9 255 760	9 255 769	9 255 778	9 255 787	9 255 796	1/100 ea.
350	9 255 761	9 255 770	9 255 779	9 255 788	9 255 797	1/100 ea.
400	9 255 762	9 255 771	9 255 780	9 255 789	9 255 798	1/100 ea.
450	9 255 763	9 255 772	9 255 781	9 255 790	9 255 799	1/100 ea.
500	9 255 764	9 255 773	9 255 782	9 255 791	9 255 800	1/100 ea.
550	9 255 765	9 255 774	9 255 783	9 255 792	9 255 801	1/100 ea.
600	9 255 766	9 255 775	9 255 784	9 255 793	9 255 802	1/100 ea.
650	9 255 767	9 255 776	9 255 785	9 255 794	9 255 803	1/100 ea.

3 A Drawer front connector for drawer side profile, height 101 mm



- ▶ For screwing on or knocking in
- ▶ Steel

Mounting option	Order no.	PU
for screwing on	9 255 835	1/200 ea.
for knocking in	9 255 836	1/200 ea.

5 Rear panel stabiliser



- ▶ For wooden and aluminium rear panels
- ▶ 1 each for cabinet body width < 600 mm;
2 each ≥ 600 mm;
3 each ≥ 800 mm;
5 each = 1200 mm
- ▶ Plastic

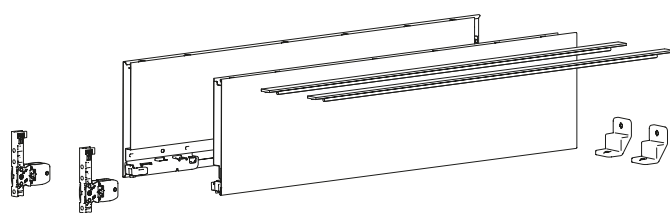
Order no.	PU
9 257 702	1/200 ea.

AvanTech YOU double walled drawer system

- ▶ Drawer height 139 mm
- ▶ Powder coated steel, silver / white / anthracite



1 Drawer side profile set, height 139 mm



- ▶ Integrated vertical, lateral and tilt adjustment
- ▶ Steel, powder coated

Set comprises:

- ▶ **1** 1 drawer side profile, left and right
- ▶ **2** 2 design profiles in drawer side profile colour
- ▶ **3** 2 drawer front connectors for screwing on
- ▶ **5** 2 rear panel stabilisers
- ▶ Fixing material

Note:

- ▶ For design options, see page 40 - 42

Nominal length mm	Order no. / surface finish			PU
	silver	white	anthracite	
300	9 255 254	9 255 294	9 255 334	1 set
350	9 255 255	9 255 295	9 255 335	1 set
400	9 255 256	9 255 296	9 255 336	1 set
450	9 255 257	9 255 297	9 255 337	1 set
500	9 255 258	9 255 298	9 255 338	1 set
550	9 255 259	9 255 299	9 255 339	1 set
600	9 255 260	9 255 300	9 255 340	1 set

5 Rear panel stabiliser



- ▶ For wooden and aluminium rear panels
- ▶ 1 each for cabinet body width < 600 mm; 2 each ≥ 600 mm; 3 each ≥ 800 mm; 5 each = 1200 mm
- ▶ Plastic

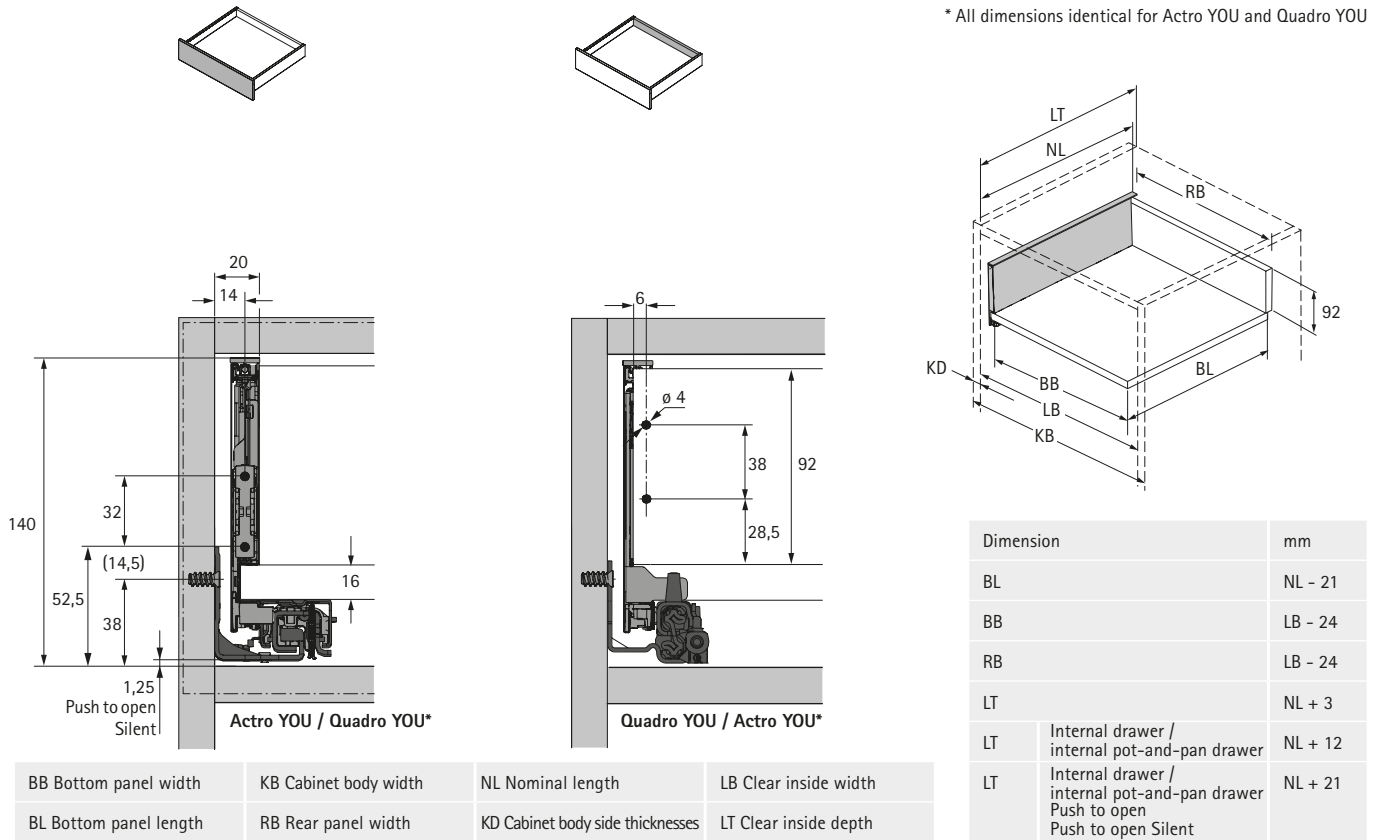
Order no.	PU
9 257 702	1/200 ea.

AvanTech YOU double walled drawer system

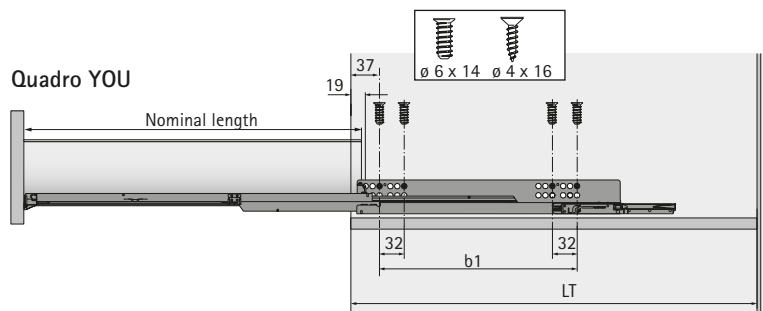
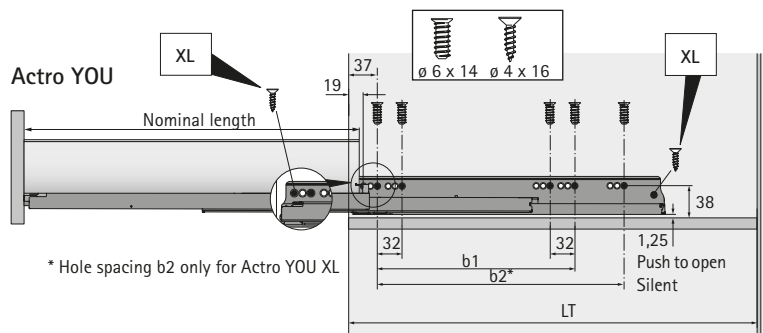
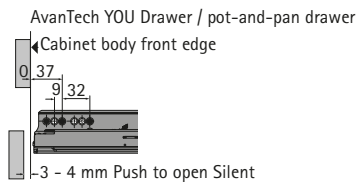
- ▶ Drawer height 139 mm
- ▶ Powder coated steel, silver / white / anthracite

Planning / installation dimensions

* All dimensions identical for Actro YOU and Quadro YOU



Positions for attaching Actro YOU / Quadro YOU drawer runner



Nominal length mm	Hole spacing mm b1	b2*
270	160	
300	160	
350	224	
400	224	
450	256	288
500	256	320
550	256	320
600	256	320
650	256	416



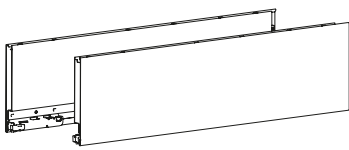
<https://www.hettich.com/short/f42bfo>

AvanTech YOU double walled drawer system

- ▶ Drawer height 139 mm
- ▶ Powder coated steel, silver / white / anthracite



1 A Drawer side profile, height 139 mm



- ▶ **2 A / B / C** Design profile must be ordered separately
- ▶ **3 A** Drawer front connector must be ordered separately
- ▶ **12** DesignCape can be ordered separately
- ▶ Integrated vertical, lateral, depth and tilt adjustment
- ▶ Powder coated steel

Nominal length mm	Order no. / surface finish / mounting side						PU
	silver		white		anthracite		
	left	right	left	right	left	right	
300	9 255 028	9 255 029	9 255 108	9 255 109	9 255 188	9 255 189	20 ea.
350	9 255 030	9 255 031	9 255 110	9 255 111	9 255 190	9 255 191	20 ea.
400	9 255 032	9 255 033	9 255 112	9 255 113	9 255 192	9 255 193	20 ea.
450	9 255 034	9 255 035	9 255 114	9 255 115	9 255 194	9 255 195	20 ea.
500	9 255 036	9 255 037	9 255 116	9 255 117	9 255 196	9 255 197	20 ea.
550	9 255 038	9 255 039	9 255 118	9 255 119	9 255 198	9 255 199	20 ea.
600	9 255 040	9 255 041	9 255 120	9 255 121	9 255 200	9 255 201	20 ea.

2 A Design profile drawer side profile colour



- ▶ Any chosen top edge for drawer side profile
- ▶ For clipping on
- ▶ Plastic, solid coloured

Nominal length mm	Order no. / surface finish			PU
	silver	white	anthracite	
300	9 255 805	9 255 814	9 255 823	1/200 ea.
350	9 255 806	9 255 815	9 255 824	1/200 ea.
400	9 255 807	9 255 816	9 255 825	1/200 ea.
450	9 255 808	9 255 817	9 255 826	1/200 ea.
500	9 255 809	9 255 818	9 255 827	1/200 ea.
550	9 255 810	9 255 819	9 255 828	1/200 ea.
600	9 255 811	9 255 820	9 255 829	1/200 ea.

AvanTech YOU double walled drawer system

- ▶ Drawer height 139 mm
- ▶ Powder coated steel, silver / white / anthracite

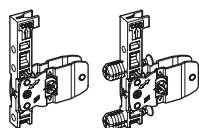
2 B Design profile, foil wrapped



- ▶ Any chosen top edge for drawer side profile
- ▶ For clipping on
- ▶ Plastic, foil wrapped

Nominal length mm	Order no. / surface finish					PU
	aluminium	stainless steel	chrome	oak	walnut	
300	9 255 760	9 255 769	9 255 778	9 255 787	9 255 796	1/100 ea.
350	9 255 761	9 255 770	9 255 779	9 255 788	9 255 797	1/100 ea.
400	9 255 762	9 255 771	9 255 780	9 255 789	9 255 798	1/100 ea.
450	9 255 763	9 255 772	9 255 781	9 255 790	9 255 799	1/100 ea.
500	9 255 764	9 255 773	9 255 782	9 255 791	9 255 800	1/100 ea.
550	9 255 765	9 255 774	9 255 783	9 255 792	9 255 801	1/100 ea.
600	9 255 766	9 255 775	9 255 784	9 255 793	9 255 802	1/100 ea.

3 A Drawer front connector for drawer side profile, height 139 mm



- ▶ For screwing on or knocking in
- ▶ Steel

5 Rear panel stabiliser



- ▶ For wooden and aluminium rear panels
- ▶ 1 each for cabinet body width < 600 mm;
2 each ≥ 600 mm;
3 each ≥ 800 mm;
5 each = 1200 mm
- ▶ Plastic

Mounting option	Order no.	PU
for screwing on	9 257 884	1/200 ea.
for knocking in	9 257 885	1/200 ea.

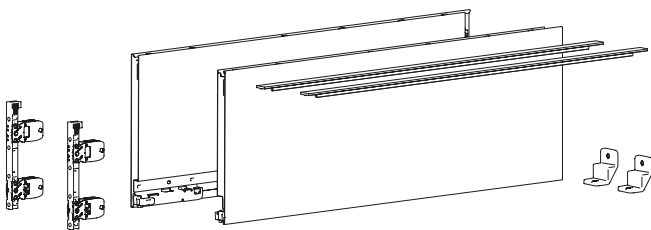
Order no.	PU
9 257 702	1/200 ea.

AvanTech YOU double walled drawer system

- ▶ Pot-and-pan drawer, height 187 mm
- ▶ Powder coated steel, silver / white / anthracite



1 Drawer side profile set, height 187 mm



- ▶ Integrated vertical, lateral and tilt adjustment
- ▶ Steel, powder coated

Set comprises:

- ▶ **1** 1 drawer side profile, left and right
- ▶ **2** 2 design profiles in drawer side profile colour
- ▶ **3** 2 drawer front connectors for screwing on
- ▶ **5** 2 rear panel stabilisers
- ▶ Fixing material

Note:

- ▶ For design options, see page 40 - 42

Nominal length mm	Order no. / surface finish			PU
	silver	white	anthracite	
270	9 255 262	9 255 302	9 255 342	1 set
300	9 255 263	9 255 303	9 255 343	1 set
350	9 255 264	9 255 304	9 255 344	1 set
400	9 255 265	9 255 305	9 255 345	1 set
450	9 255 266	9 255 306	9 255 346	1 set
500	9 255 267	9 255 307	9 255 347	1 set
550	9 255 268	9 255 308	9 255 348	1 set
600	9 255 269	9 255 309	9 255 349	1 set
650	9 255 270	9 255 310	9 255 350	1 set

5 Rear panel stabiliser



- ▶ For wooden and aluminium rear panels
- ▶ 1 each for cabinet body width < 600 mm; 2 each ≥ 600 mm; 3 each ≥ 800 mm; 5 each = 1200 mm
- ▶ Plastic

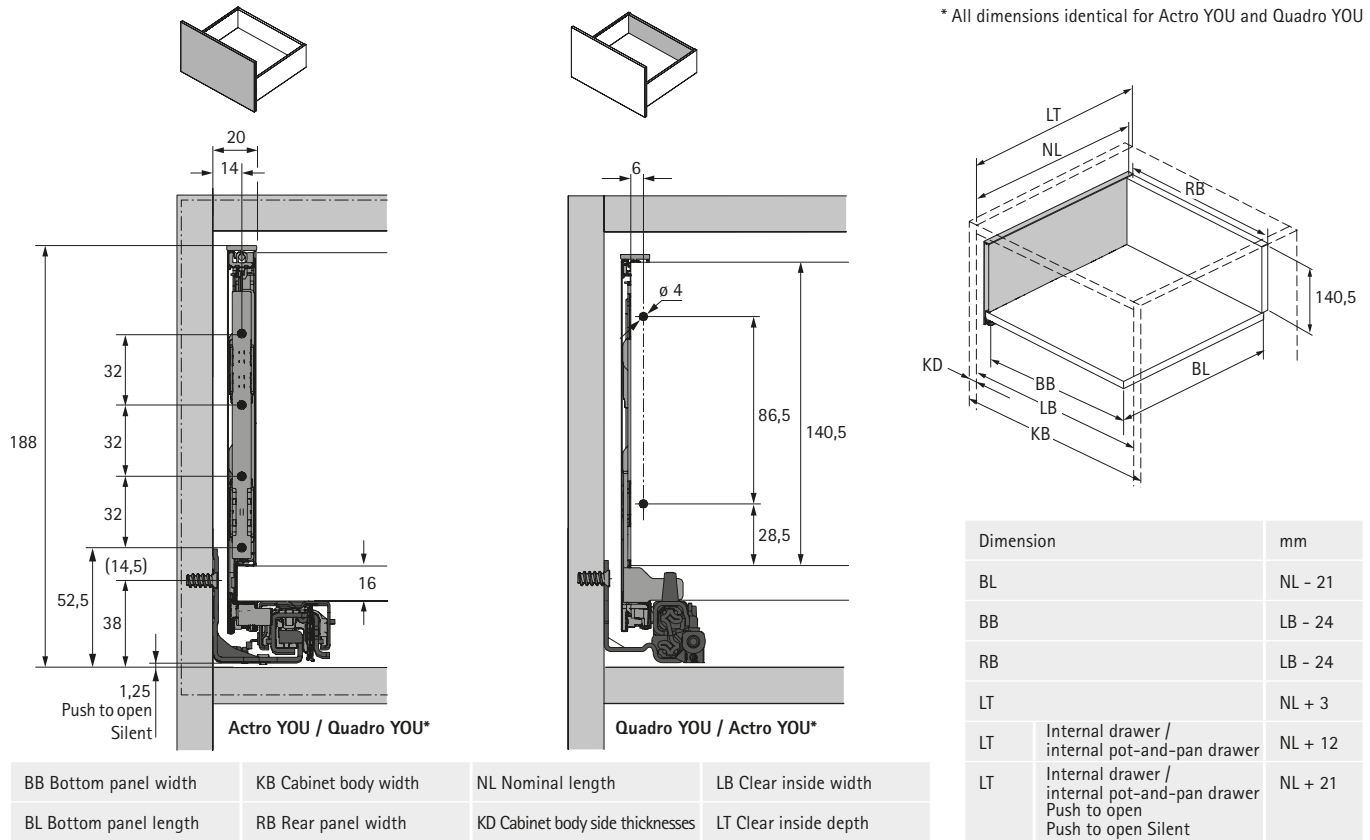
Order no.	PU
9 257 702	1/200 ea.

AvanTech YOU double walled drawer system

- ▶ Pot-and-pan drawer, height 187 mm
- ▶ Powder coated steel, silver / white / anthracite

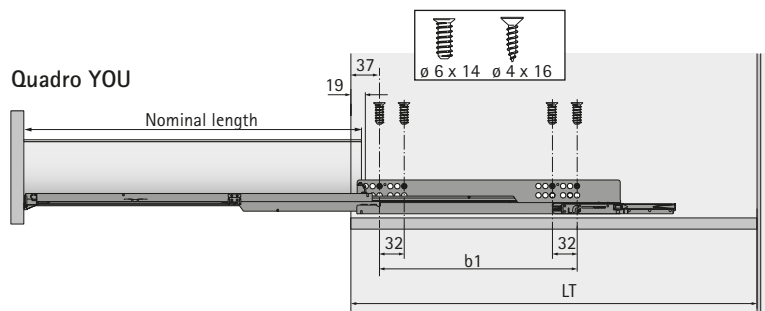
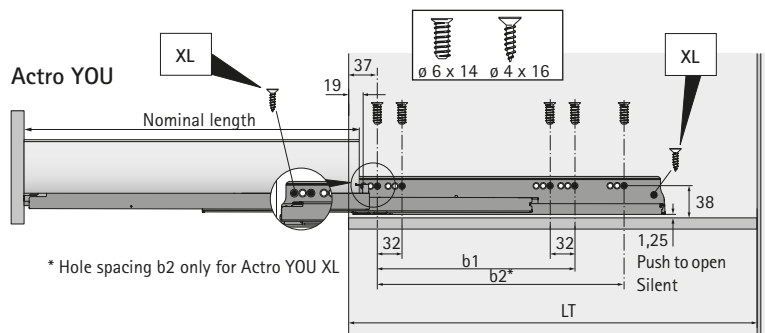
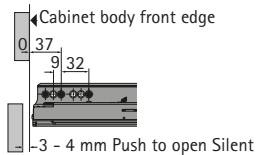
Planning / installation dimensions

* All dimensions identical for Actro YOU and Quadro YOU



Positions for attaching Actro YOU / Quadro YOU drawer runner

AvanTech YOU Drawer / pot-and-pan drawer



Nominal length mm	Hole spacing mm	
	b1	b2*
270	160	
300	160	
350	224	
400	224	
450	256	288
500	256	320
550	256	320
600	256	320
650	256	416



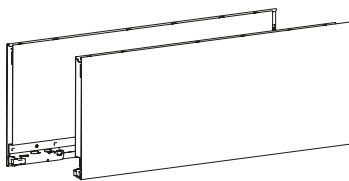
<https://www.hettich.com/short/f42bfo>

AvanTech YOU double walled drawer system

- ▶ Pot-and-pan drawer, height 187 mm
- ▶ Powder coated steel, silver / white / anthracite



1 A Drawer side profile, height 187 mm



- ▶ **2 A / B / C** Design profile must be ordered separately
- ▶ **3 A** Drawer front connector must be ordered separately
- ▶ **12** DesignCape can be ordered separately
- ▶ Integrated vertical, lateral, depth and tilt adjustment
- ▶ Powder coated steel

Nominal length mm	Order no. / surface finish / mounting side						PU
	silver		white		anthracite		
	left	right	left	right	left	right	
270	9 255 044	9 255 045	9 255 124	9 255 125	9 255 204	9 255 205	10 ea.
300	9 255 046	9 255 047	9 255 126	9 255 127	9 255 206	9 255 207	10 ea.
350	9 255 048	9 255 049	9 255 128	9 255 129	9 255 208	9 255 209	10 ea.
400	9 255 050	9 255 051	9 255 130	9 255 131	9 255 210	9 255 211	10 ea.
450	9 255 052	9 255 053	9 255 132	9 255 133	9 255 212	9 255 213	10 ea.
500	9 255 054	9 255 055	9 255 134	9 255 135	9 255 214	9 255 215	10 ea.
550	9 255 056	9 255 057	9 255 136	9 255 137	9 255 216	9 255 217	10 ea.
600	9 255 058	9 255 059	9 255 138	9 255 139	9 255 218	9 255 219	10 ea.
650	9 255 060	9 255 061	9 255 140	9 255 141	9 255 220	9 255 221	10 ea.

2 A Design profile drawer side profile colour



- ▶ Any chosen top edge for drawer side profile
- ▶ For clipping on
- ▶ Plastic, solid coloured

Nominal length mm	Order no. / surface finish			PU
	silver	white	anthracite	
270	9 255 804	9 255 813	9 255 822	1/200 ea.
300	9 255 805	9 255 814	9 255 823	1/200 ea.
350	9 255 806	9 255 815	9 255 824	1/200 ea.
400	9 255 807	9 255 816	9 255 825	1/200 ea.
450	9 255 808	9 255 817	9 255 826	1/200 ea.
500	9 255 809	9 255 818	9 255 827	1/200 ea.
550	9 255 810	9 255 819	9 255 828	1/200 ea.
600	9 255 811	9 255 820	9 255 829	1/200 ea.
650	9 255 812	9 255 821	9 255 830	1/200 ea.

AvanTech YOU double walled drawer system

- ▶ Pot-and-pan drawer, height 187 mm
- ▶ Powder coated steel, silver / white / anthracite

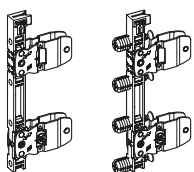
2 B Design profile, foil wrapped



- ▶ Any chosen top edge for drawer side profile
- ▶ For clipping on
- ▶ Plastic, foil wrapped

Nominal length mm	Order no. / surface finish					PU
	aluminium	stainless steel	chrome	oak	walnut	
270	9 255 759	9 255 768	9 255 777	9 255 786	9 255 795	1/100 ea.
300	9 255 760	9 255 769	9 255 778	9 255 787	9 255 796	1/100 ea.
350	9 255 761	9 255 770	9 255 779	9 255 788	9 255 797	1/100 ea.
400	9 255 762	9 255 771	9 255 780	9 255 789	9 255 798	1/100 ea.
450	9 255 763	9 255 772	9 255 781	9 255 790	9 255 799	1/100 ea.
500	9 255 764	9 255 773	9 255 782	9 255 791	9 255 800	1/100 ea.
550	9 255 765	9 255 774	9 255 783	9 255 792	9 255 801	1/100 ea.
600	9 255 766	9 255 775	9 255 784	9 255 793	9 255 802	1/100 ea.
650	9 255 767	9 255 776	9 255 785	9 255 794	9 255 803	1/100 ea.

3 A Drawer front connector for drawer side profile, height 187 / 251 mm



- ▶ For screwing on or knocking in
- ▶ Steel

Mounting option	Order no.	PU
for screwing on	9 255 838	1/200 ea.
for knocking in	9 255 839	1/200 ea.

5 Rear panel stabiliser



- ▶ For wooden and aluminium rear panels
- ▶ 1 each for cabinet body width < 600 mm;
- ▶ 2 each ≥ 600 mm;
- ▶ 3 each ≥ 800 mm;
- ▶ 5 each = 1200 mm
- ▶ Plastic

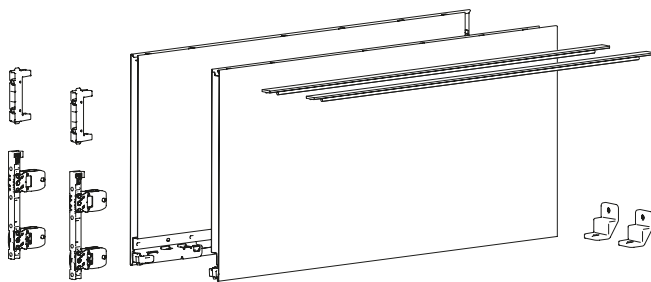
Order no.	PU
9 257 702	1/200 ea.

AvanTech YOU double walled drawer system

- ▶ Pot-and-pan drawer, height 251 mm
- ▶ Powder coated steel, silver / white / anthracite



1 Drawer side profile set, height 251 mm



- ▶ Integrated vertical, lateral and tilt adjustment
- ▶ Steel, powder coated

Set comprises:

- ▶ **1** 1 drawer side profile, left and right
- ▶ **2** 2 design profiles in drawer side profile colour
- ▶ **3** 2 drawer front connectors for screwing on
- ▶ **3** 2 drawer front connector stabilisers, for screwing on
- ▶ **5** 2 rear panel stabilisers
- ▶ Fixing material

Note:

- ▶ For design options, see page 40 - 42

Nominal length mm	Order no. / surface finish			PU
	silver	white	anthracite	
350	9 255 273	9 255 313	9 255 353	1 set
400	9 255 274	9 255 314	9 255 354	1 set
450	9 255 275	9 255 315	9 255 355	1 set
500	9 255 276	9 255 316	9 255 356	1 set
550	9 255 277	9 255 317	9 255 357	1 set
600	9 255 278	9 255 318	9 255 358	1 set
650	9 255 279	9 255 319	9 255 359	1 set

5 Rear panel stabiliser



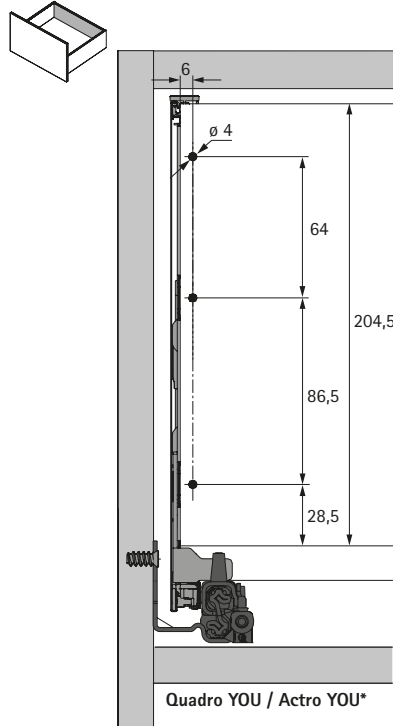
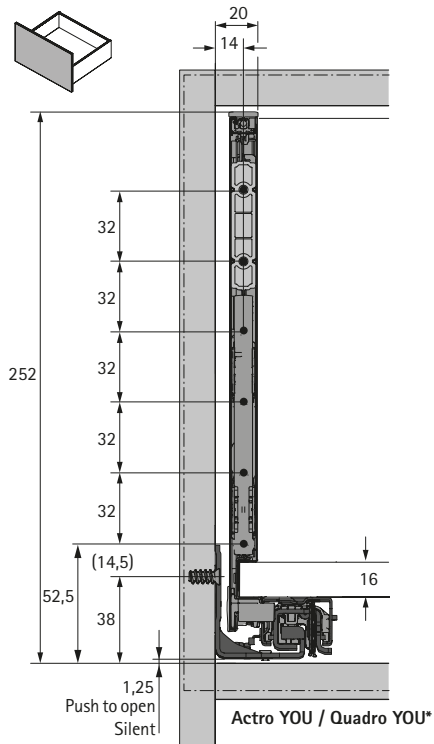
- ▶ For wooden and aluminium rear panels
- ▶ 1 each for cabinet body width < 600 mm; 2 each ≥ 600 mm; 3 each ≥ 800 mm; 5 each = 1200 mm
- ▶ Plastic

Order no.	PU
9 257 702	1/200 ea.

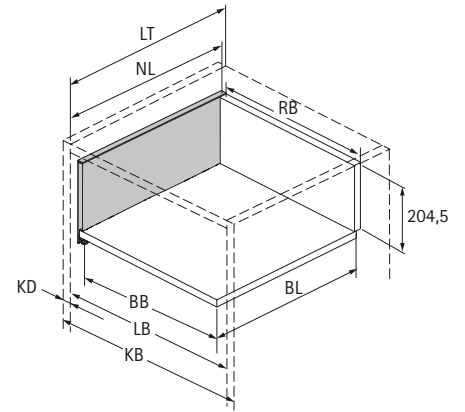
AvanTech YOU double walled drawer system

- ▶ Pot-and-pan drawer, height 251 mm
- ▶ Powder coated steel, silver / white / anthracite

Planning / installation dimensions



* All dimensions identical for Actro YOU and Quadro YOU

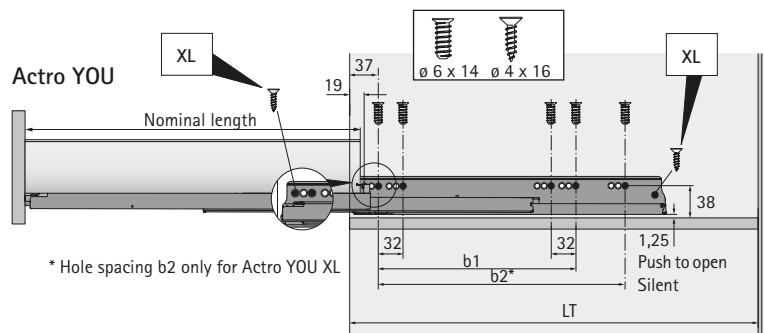
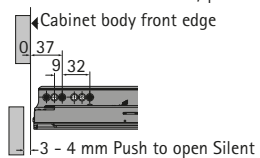


Dimension	mm
BL	NL - 21
BB	LB - 24
RB	LB - 24
LT	NL + 3

BB Bottom panel width	KB Cabinet body width	NL Nominal length	LB Clear inside width
BL Bottom panel length	RB Rear panel width	KD Cabinet body side thicknesses	LT Clear inside depth

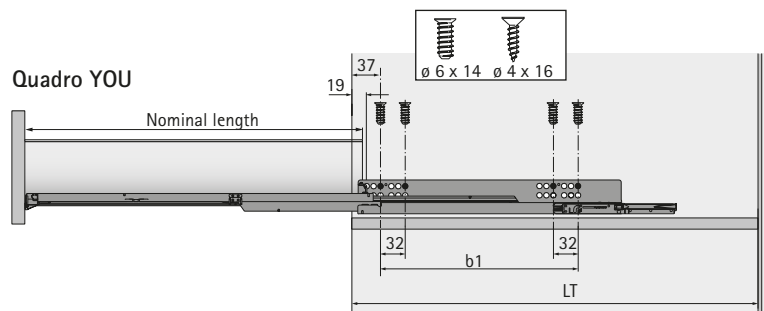
Positions for attaching Actro YOU / Quadro YOU drawer runner

AvanTech YOU Drawer / pot-and-pan drawer



* Hole spacing b2 only for Actro YOU XL

Nominal length mm	Hole spacing mm b1	b2*
270	160	
300	160	
350	224	
400	224	
450	256	288
500	256	320
550	256	320
600	256	320
650	256	416



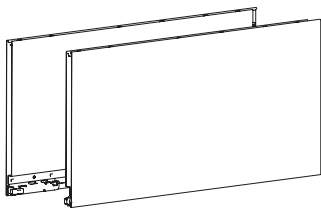
<https://www.hettich.com/short/f42bfo>

AvanTech YOU double walled drawer system

- ▶ Pot-and-pan drawer, height 251 mm
- ▶ Powder coated steel, silver / white / anthracite



1 | A | Drawer side profile, height 251 mm



- ▶ **2 A / B / C** Design profile must be ordered separately
- ▶ **3 A** Drawer front connector must be ordered separately
- ▶ **3 C** Drawer front connector stabiliser must be ordered separately
- ▶ Integrated vertical, lateral, depth and tilt adjustment
- ▶ Powder coated steel

Nominal length mm	Order no. / surface finish / mounting side						PU
	silver		white		anthracite		
	left	right	left	right	left	right	
350	9 255 066	9 255 067	9 255 146	9 255 147	9 255 226	9 255 227	10 ea.
400	9 255 068	9 255 069	9 255 148	9 255 149	9 255 228	9 255 229	10 ea.
450	9 255 070	9 255 071	9 255 150	9 255 151	9 255 230	9 255 231	10 ea.
500	9 255 072	9 255 073	9 255 152	9 255 153	9 255 232	9 255 233	10 ea.
550	9 255 074	9 255 075	9 255 154	9 255 155	9 255 234	9 255 235	10 ea.
600	9 255 076	9 255 077	9 255 156	9 255 157	9 255 236	9 255 237	10 ea.
650	9 255 078	9 255 079	9 255 158	9 255 159	9 255 238	9 255 239	10 ea.

2 | A | Design profile drawer side profile colour



- ▶ Any chosen top edge for drawer side profile
- ▶ For clipping on
- ▶ Plastic, solid coloured

Nominal length mm	Order no. / surface finish			PU
	silver	white	anthracite	
350	9 255 806	9 255 815	9 255 824	1/200 ea.
400	9 255 807	9 255 816	9 255 825	1/200 ea.
450	9 255 808	9 255 817	9 255 826	1/200 ea.
500	9 255 809	9 255 818	9 255 827	1/200 ea.
550	9 255 810	9 255 819	9 255 828	1/200 ea.
600	9 255 811	9 255 820	9 255 829	1/200 ea.
650	9 255 812	9 255 821	9 255 830	1/200 ea.

AvanTech YOU double walled drawer system

- ▶ Pot-and-pan drawer, height 251 mm
- ▶ Powder coated steel, silver / white / anthracite

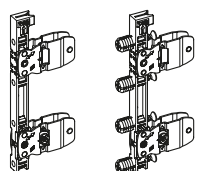
2 B Design profile, foil wrapped



- ▶ Any chosen top edge for drawer side profile
- ▶ For clipping on
- ▶ Plastic, foil wrapped

Nominal length mm	Order no. / surface finish					PU
	aluminium	stainless steel	chrome	oak	walnut	
350	9 255 761	9 255 770	9 255 779	9 255 788	9 255 797	1/100 ea.
400	9 255 762	9 255 771	9 255 780	9 255 789	9 255 798	1/100 ea.
450	9 255 763	9 255 772	9 255 781	9 255 790	9 255 799	1/100 ea.
500	9 255 764	9 255 773	9 255 782	9 255 791	9 255 800	1/100 ea.
550	9 255 765	9 255 774	9 255 783	9 255 792	9 255 801	1/100 ea.
600	9 255 766	9 255 775	9 255 784	9 255 793	9 255 802	1/100 ea.
650	9 255 767	9 255 776	9 255 785	9 255 794	9 255 803	1/100 ea.

3 A Drawer front connector for drawer side profile, height 187 / 251 mm



- ▶ For screwing on or knocking in
- ▶ Steel

Mounting option	Order no.	PU
for screwing on	9 255 838	1/200 ea.
for knocking in	9 255 839	1/200 ea.

3 C Drawer front connector side profile, stabiliser, height 251 mm



- ▶ For screwing on or knocking in
- ▶ Plastic, anthracite

Mounting option	Order no.	PU
for screwing on	9 257 887	1/50 ea.
for knocking in	9 257 888	1/50 ea.

5 Rear panel stabiliser



- ▶ For wooden and aluminium rear panels
- ▶ 1 each for cabinet body width < 600 mm;
2 each ≥ 600 mm;
3 each ≥ 800 mm;
5 each = 1200 mm
- ▶ Plastic

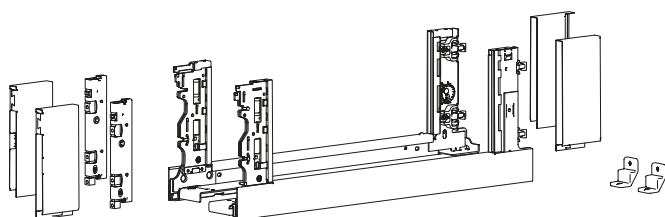
Order no.	PU
9 257 702	1/200 ea.

AvanTech YOU double walled drawer system

- ▶ Inlay pot-and-pan drawer, height 187 mm
- ▶ Powder coated steel, silver / white / anthracite



1 Inlay drawer side profile set, height 187 mm



- ▶ Integrated vertical, lateral and tilt adjustment
- ▶ Steel, powder coated

Set comprises:

- ▶ **1** 1 inlay drawer side profile, left and right
- ▶ **2** 2 drawer front connectors for Inlay drawer side profile for screwing on
- ▶ **2** 2 rear panel stabilisers
- ▶ Fixing material

Note:

- ▶ For using materials in a thickness of 10 mm (materials in a thickness of 8 mm: also see adapter)

Nominal length mm	Order no. / surface finish			PU
	silver	white	anthracite	
350	9 257 173	9 257 180	9 257 187	1 set
400	9 257 174	9 257 181	9 257 188	1 set
450	9 257 175	9 257 182	9 257 189	1 set
500	9 257 176	9 257 183	9 257 190	1 set
550	9 257 177	9 257 184	9 257 191	1 set
600	9 257 178	9 257 185	9 257 192	1 set
650	9 257 179	9 257 186	9 257 193	1 set

Adapter for Inlay drawer side profile



- ▶ For using materials in a thickness of 8 mm
- ▶ 2 adapters are required for each drawer side profile
- ▶ Plastic, transparent

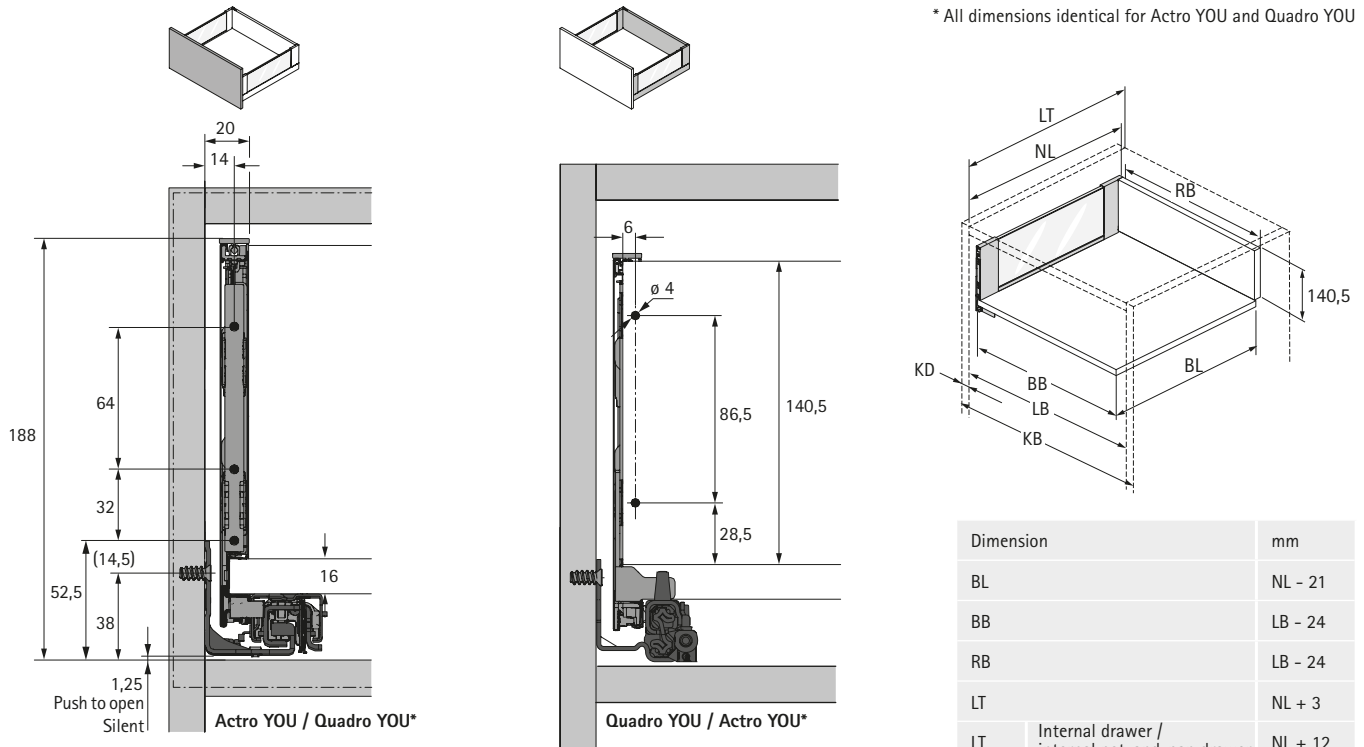
Order no.	PU
9 268 677	100 ea.

AvanTech YOU double walled drawer system

- ▶ Inlay pot-and-pan drawer, height 187 mm
- ▶ Powder coated steel, silver / white / anthracite

Planning / installation dimensions

* All dimensions identical for Actro YOU and Quadro YOU

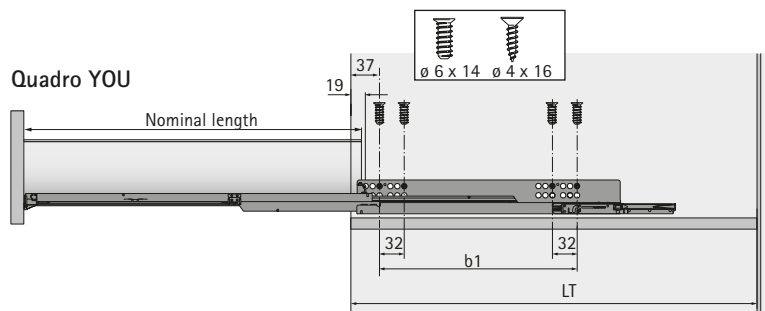
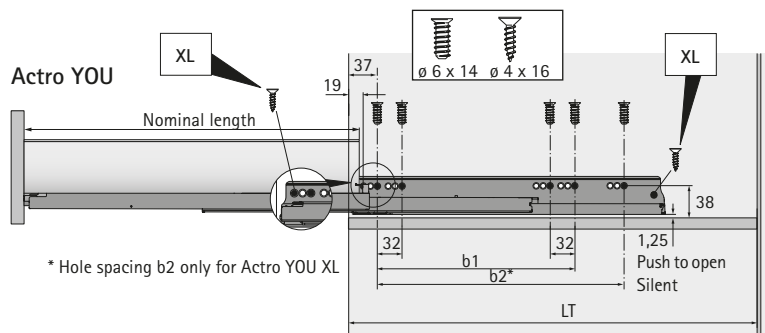
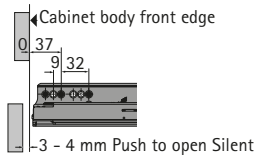


BB Bottom panel width	KB Cabinet body width	NL Nominal length	LB Clear inside width
BL Bottom panel length	RB Rear panel width	KD Cabinet body side thicknesses	LT Clear inside depth

Dimension	mm
BL	NL - 21
BB	LB - 24
RB	LB - 24
LT	NL + 3
LT	Internal drawer / internal pot-and-pan drawer NL + 12
LT	Internal drawer / internal pot-and-pan drawer Push to open Silent NL + 21

Positions for attaching Actro YOU / Quadro YOU drawer runner

AvanTech YOU Drawer / pot-and-pan drawer



Nominal length mm	Hole spacing mm b1	b2*
270	160	
300	160	
350	224	
400	224	
450	256	288
500	256	320
550	256	320
600	256	320
650	256	416



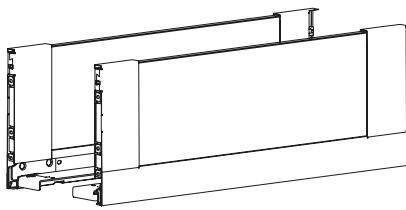
<https://www.hettich.com/short/f42bfo>

AvanTech YOU double walled drawer system

- ▶ Inlay pot-and-pan drawer, height 187 mm
- ▶ Powder coated steel, silver / white / anthracite



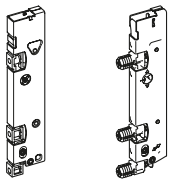
1 B Inlay drawer side profile with caps, height 187 mm



- ▶ **3 B** Drawer front connector must be ordered separately
- ▶ For combining with glass inlay or any chosen material
- ▶ For using materials in a thickness of 10 mm (materials in a thickness of 8 mm: also see adapter)
- ▶ Integrated vertical, lateral, depth and tilt adjustment
- ▶ Powder coated steel

Nominal length mm	Order no. / surface finish / mounting side						PU
	silver		white		anthracite		
	left	right	left	right	left	right	
350	9 257 131	9 257 132	9 257 145	9 257 146	9 257 159	9 257 160	10 ea.
400	9 257 133	9 257 134	9 257 147	9 257 148	9 257 161	9 257 162	10 ea.
450	9 257 135	9 257 136	9 257 149	9 257 150	9 257 163	9 257 164	10 ea.
500	9 257 137	9 257 138	9 257 151	9 257 152	9 257 165	9 257 166	10 ea.
550	9 257 139	9 257 140	9 257 153	9 257 154	9 257 167	9 257 168	10 ea.
600	9 257 141	9 257 142	9 257 155	9 257 156	9 257 169	9 257 170	10 ea.
650	9 257 143	9 257 144	9 257 157	9 257 158	9 257 171	9 257 172	10 ea.

3 B Drawer front connector for Inlay drawer side profile, height 187 mm



- ▶ For screwing on or knocking in
- ▶ Steel

Mounting option	Order no.	PU
for screwing on	9 257 257	1/200 ea.
for knocking in	9 257 258	1/200 ea.

5 Rear panel stabiliser



- ▶ For wooden and aluminium rear panels
- ▶ 1 each for cabinet body width < 600 mm;
- ▶ 2 each ≥ 600 mm;
- ▶ 3 each ≥ 800 mm;
- ▶ 5 each = 1200 mm
- ▶ Plastic

Order no.	PU
9 257 702	1/200 ea.

AvanTech YOU double walled drawer system

- ▶ Inlay pot-and-pan drawer, height 187 mm
- ▶ Powder coated steel, silver / white / anthracite

Adapter for Inlay drawer side profile



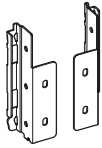
- ▶ For using materials in a thickness of 8 mm
- ▶ 2 adapters are required for each drawer side profile
- ▶ Plastic, transparent

Order no.	PU
9 268 677	100 ea.

AvanTech YOU double walled drawer system

- ▶ Rear panel
- ▶ Aluminium profile / accessories

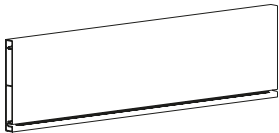
8 Connector for rear panel



- ▶ Connector for customised rear panel / rear panel profile for cutting to length
- ▶ Power coated steel

Nominal height mm	Order no. / surface finish / mounting side						PU
	silver		white		anthracite		
	left	right	left	right	left	right	
101	9 257 666	9 257 667	9 257 678	9 257 679	9 257 690	9 257 691	20 ea.
139	9 257 668	9 257 669	9 257 680	9 257 681	9 257 692	9 257 693	20 ea.
187	9 257 670	9 257 671	9 257 682	9 257 683	9 257 694	9 257 695	20 ea.
251	9 257 672	9 257 673	9 257 684	9 257 685	9 257 696	9 257 697	20 ea.

9 Rear panel profile for cutting to length



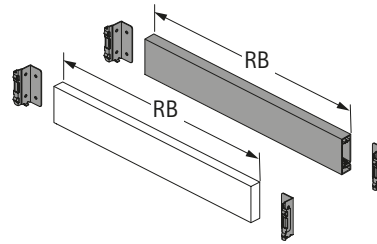
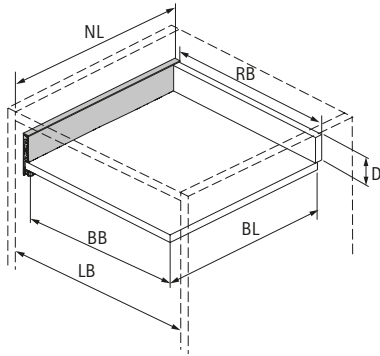
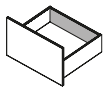
- ▶ For variable and standard cabinet body widths
- ▶ Length 2000 mm
- ▶ Powder coated aluminium

Nominal height mm	Order no. / surface finish			PU
	silver	white	anthracite	
101	9 257 300	9 257 305	9 257 310	1 ea.
139	9 257 301	9 257 306	9 257 311	1 ea.
187	9 257 302	9 257 307	9 257 312	1 ea.
251	9 257 303	9 257 308	9 257 313	1 ea.

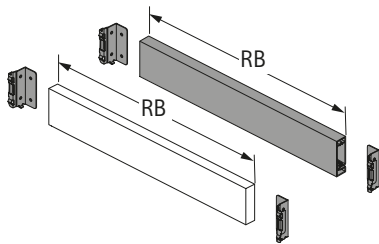
AvanTech YOU double walled drawer system

- ▶ Rear panel
- ▶ Aluminium profile / accessories

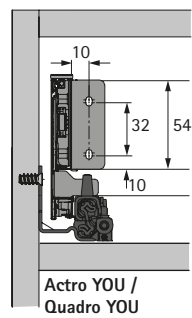
Planning / installation dimensions



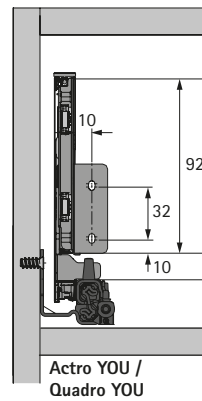
BL	NL - 21
BB	LB - 24
RB	LB - 24
D H 101	54
D H 139	92
D H 187	140,5
D H 251	204,5



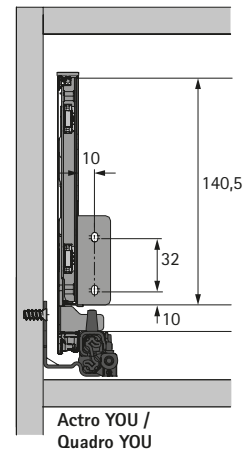
H 101



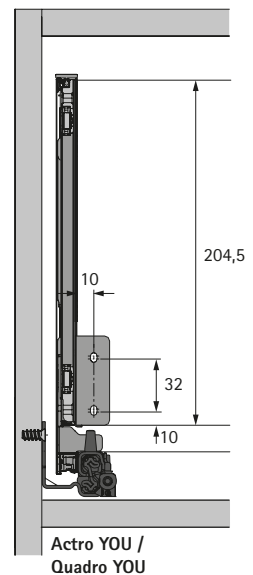
H 139



H 187



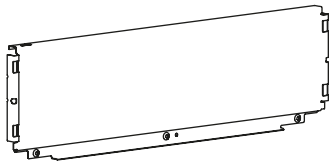
H 251



AvanTech YOU double walled drawer system

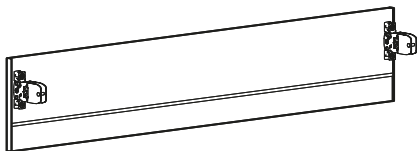
- ▶ Steel rear panel (available on request)
- ▶ Front panel for internal drawer (available on request)

10 Steel rear panel



- ▶ Available on request
- ▶ For standard cabinet body widths
- ▶ Powder coated steel

6 D Front panel for internal drawer



- ▶ Available on request
- ▶ Preassembled for standard cabinet body widths
- ▶ With premounted drawer front connectors and end caps
- ▶ Powder coated aluminium

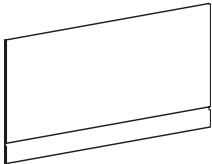
AvanTech YOU double walled drawer system

- ▶ Front panel for internal drawer / internal pot-and-pan drawer
- ▶ Drawer side profile heights 101, 139, 187 mm

6 Front panel for internal drawer / internal pot-and-pan drawer



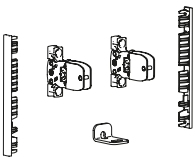
6 A Internal front profile for cutting to length



- ▶ **6 B** or **6 C** set of connectors for internal front panel must be ordered separately
- ▶ For variable and standard cabinet body widths
- ▶ Length 2000 mm
- ▶ Powder coated aluminium

Nominal height mm	Order no. / colour			PU
	silver	white	anthracite	
101	9 257 269	9 257 273	9 257 277	1 ea.
139	9 257 270	9 257 274	9 257 278	1 ea.
187	9 257 271	9 257 275	9 257 279	1 ea.

6 B Set of connectors for internal front profile for cutting to length, for use with drawer side profile



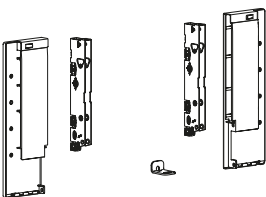
- ▶ For combining with **6 A** internal front profile for cutting to length
- ▶ Steel / plastic

Set comprises:

- ▶ 1 drawer front connector for drawer side profile, left and right
- ▶ 2 end caps
- ▶ 1 stabiliser for internal front panel
- ▶ Fixing material

Nominal height mm	Order no. / colour			PU
	silver	white	anthracite	
101	9 257 611	9 257 615	9 257 619	1 set
139	9 257 612	9 257 616	9 257 620	1 set
187	9 257 613	9 257 617	9 257 621	1 set

6 C Set of connectors for internal front profile for cutting to length, for use with Inlay drawer side profile



- ▶ For combining with **6 A** internal front profile for cutting to length
- ▶ Steel / plastic

Set comprises:

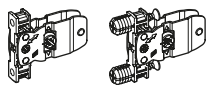
- ▶ 1 front connector for Inlay drawer side profile, left and right
- ▶ 2 end caps
- ▶ 1 stabiliser for internal front panel
- ▶ Fixing material

Nominal height mm	Order no. / colour			PU
	silver	white	anthracite	
187	9 257 623	9 257 625	9 257 627	1 set

AvanTech YOU double walled drawer system

- ▶ Front panel for internal drawer / internal pot-and-pan drawer
- ▶ Drawer side profile heights 101, 139, 187 mm

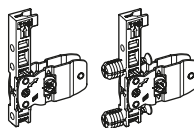
3 A Drawer front connector for drawer side profile, height 101 mm



- ▶ For screwing on or knocking in
- ▶ Steel

Mounting option	Order no.	PU
for screwing on	9 255 835	1/200 ea.
for knocking in	9 255 836	1/200 ea.

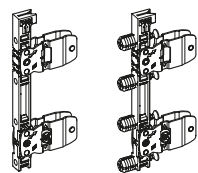
3 A Drawer front connector for drawer side profile, height 139 mm



- ▶ For screwing on or knocking in
- ▶ Steel

Mounting option	Order no.	PU
for screwing on	9 257 884	1/200 ea.
for knocking in	9 257 885	1/200 ea.

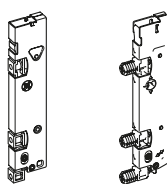
3 A Drawer front connector for drawer side profile, height 187 mm



- ▶ For screwing on or knocking in
- ▶ Steel

Mounting option	Order no.	PU
for screwing on	9 255 838	1/200 ea.
for knocking in	9 255 839	1/200 ea.

3 B Drawer front connector for Inlay drawer side profile, height 187 mm



- ▶ For screwing on or knocking in
- ▶ Steel

Mounting option	Order no.	PU
for screwing on	9 257 257	1/200 ea.
for knocking in	9 257 258	1/200 ea.

4 B Stabiliser for internal front panel



- ▶ For stabilising wide internal front panels
- ▶ Recommended for cabinet body widths 600 mm
- ▶ Plastic

Order no.	PU
9 257 641	100 ea.

Catch for front panel



- ▶ For screwing on
- ▶ Plastic

Set comprises:

- ▶ 1 catch
- ▶ 1 profile height increaser
- ▶ Fixing material

Order no. / colour			PU
silver	white	anthracite	
9 257 734	9 257 735	9 257 736	1 set

End caps



- ▶ Side edge for internal front panel profile
- ▶ Plastic

Nominal height mm	Order no. / colour			PU
	silver	white	anthracite	
101	9 257 629	9 257 633	9 257 637	200 ea.
139	9 257 630	9 257 634	9 257 638	200 ea.
187	9 257 631	9 257 635	9 257 639	200 ea.



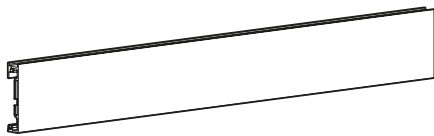
AvanTech YOU double walled drawer system

- ▶ Customisable front panel for internal pot-and-pan drawer
- ▶ Drawer side profile height 187 mm

7 Customisable front panel for internal drawer / pot-and-pan drawer



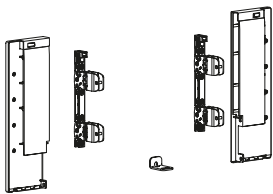
7 A Support profile for customisable internal front panel



- ▶ **7 B** or **7 C** Connector for customisable front panel must be ordered separately
- ▶ For using materials in a thickness of 10 mm (materials in a thickness of 8 mm: also see adapter)
- ▶ For variable and standard cabinet body widths
- ▶ Length 2000 mm
- ▶ Powder coated aluminium

Nominal height mm	Order no. / colour			PU
	silver	white	anthracite	
187	9 257 663	9 257 664	9 257 665	1 ea.

7 B Set of connectors for customisable front panel, height 187 mm, for use with drawer side profile



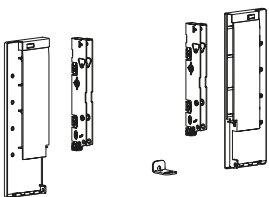
- ▶ **7 A** Support profile for customisable internal front panel must be ordered separately
- ▶ For combining with 10 mm glass inlay or any chosen material
- ▶ With premounted drawer front connector
- ▶ Powder coated steel

Set comprises:

- ▶ 1 connector for customisable internal front panel, left and right
- ▶ 1 drawer front connector for drawer side profile, left and right
- ▶ 1 cover cap, left and right
- ▶ Fixing material

Nominal height mm	Order no. / colour			PU
	silver	white	anthracite	
187	9 257 651	9 257 652	9 257 653	1 set

7 C Connector for customisable front panel, height 187 mm, for use with Inlay drawer side profile



- ▶ **7 A** Support profile for customisable internal front panel must be ordered separately
- ▶ For combining with 10 mm glass inlay or any chosen material
- ▶ With premounted drawer front connector
- ▶ Powder coated steel

Set comprises:

- ▶ 1 connector for customisable internal front panel, left and right
- ▶ 1 front connector for Inlay drawer side profile, left and right
- ▶ 1 cover cap, left and right
- ▶ Fixing material

Nominal height mm	Order no. / colour			PU
	silver	white	anthracite	
187	9 257 657	9 257 658	9 257 659	1 set

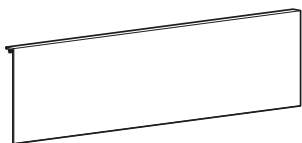


AvanTech YOU fascinates!

The AvanTech YOU drawer system provides a huge amount of design flexibility in terms of colour, shape and material, giving you the key to successfully turning your own furniture design ideas into reality. Incredibly easy to achieve with AvanTech YOU, whatever personal character you want a design to reflect is a matter for you to decide. With a simple click, design profiles or DesignCapes conjure an accentuated, visual transformation. AvanTech YOU Inlay, the elegant drawer side profile with glass inlay, does away with the boundaries between space and furniture and

focuses the eye on furniture design. Printing your logo on the drawer side profile completes your design. With this versatile system, however, you can let your own imagination run free. With the option of using any chosen materials, your ideas become distinctive solutions that stand apart! Whether for use in the bathroom, living room or kitchen – your wishes are easily fulfilled with the broad diversity of this product range and the many different ways of creating furniture with a look of individuality.

12 DesignCape



- For clipping on
- Length 2000 mm
- Aluminium

Set comprises:

- Aluminium profile
- Fixing material

Note:

- For further DesignCape versions, refer to Hettich eShop

Nominal height mm	Order no. / surface finish		PU
	aluminium look	stainless steel look	
101	9 257 643	9 257 647	1 ea.
187	9 257 645	9 257 649	1 ea.

2 C Customisable design profile



- Support for any chosen versions of the design profile
- Length 2000 mm
- For clipping on
- Grey plastic with adhesive strip

Order no.	PU
9 255 831	1 ea.

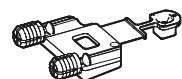
13 Branding clip



- Available on request with any chosen imprint or customer logo
- For clipping on
- Plastic, foil wrapped

Finish	Order no.	PU
silver with Hettich logo	9 257 703	1/200 ea.
white with Hettich logo	9 257 704	1/200 ea.
anthracite with Hettich logo	9 257 705	1/200 ea.

4 A Front stabiliser



- For stabilising wide and / or high front panels
- Recommended for use in cabinet body widths 600 mm and over and / or front panel heights of 450 mm
- Plastic, anthracite

Order no.	PU
9 123 080	1/150 ea.

AvanTech YOU double walled drawer system

► Optional accessories

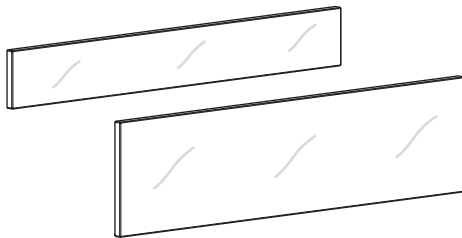
Glass inserts for AvanTech YOU Inlay drawer side profile



► Clear glass, satin finished edge

Nominal length mm	Order no.	PU
350	9 283 178	1 set
400	9 283 179	1 set
450	9 283 180	1 set
500	9 283 181	1 set
550	9 283 182	1 set
600	9 283 183	1 set
650	9 283 184	1 set

Glass inserts for AvanTech YOU customisable internal front panel



- For cabinet body side thickness KD 16 mm, KD 18 mm or KD 19 mm
- Clear glass, satin finished edge

Cabinet body width mm	Order no. / height mm / cabinet side panel thickness KD mm						PU
	height 66 mm			height 130 mm			
	KD 16 mm	KD 18 mm	KD 19 mm	KD 16 mm	KD 18 mm	KD 19 mm	
450	9 283 185	9 283 228	9 283 241	9 283 189	9 283 233	9 283 246	1 ea.
600	9 283 186	9 283 229	9 283 242	9 283 190	9 283 235	9 283 247	1 ea.
900	9 283 187	9 283 231	9 283 244	9 283 191	9 283 237	9 283 259	1 ea.
1200	9 283 188	9 283 232	9 283 245	9 283 192	9 283 238	9 283 260	1 ea.

AvanTech YOU double walled drawer system

- ▶ Optional accessories
- ▶ Connection for front panels from 10 mm

Fascinated by solutions.
We call it

Fascin[action]

Feel style



Excitingly different

Whether an airy light purist look, classy combined facing panels in glass or exclusive materials – your creative flexibility is suddenly endless. Drawer front panels can be reduced to a thickness of 10 mm. This also makes a lightweight front in heavy materials. With unchanged attachment positions, all very easy and straightforward.

Ideal in combination with Sensys thin door hinges for an overall look of harmony.

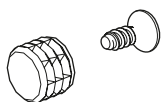
Technical details in brief

- ▶ For front panels in thicknesses of 10 mm and over
- ▶ 10 mm socket for optimum fit in soft materials (MDF transverse tensile strength $> 0.6 \text{ N/mm}^2$, chipboard transverse tensile strength $> 0.45 \text{ N/mm}^2$)
- ▶ Self tapping screws for optimum fit in hard materials (e.g. solid surface material, natural stone, artificial stone, ceramic)
- ▶ Use with standard drawer front connector
- ▶ The attachment method must be suitable for the type and quality of door material and tested for a secure fit

AvanTech YOU double walled drawer system

- ▶ Optional accessories
- ▶ Connection for front panels from 10 mm

For H77 / H101 / H139 / H187 / H251 / Inlay drawer side profile connectors



Set comprises:

- ▶ 10 sockets, $\varnothing 10 \times 8$ mm
- ▶ 10 self tapping screws, $\varnothing 3.5 \times 16$ mm

Advice:

Screw on drawer front connectors for drawer side profile must be ordered separately

Order no.	PU
9 268 149	1 set

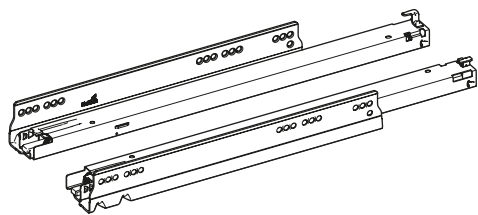
Installation

	Chipboard, MDF	Solid surface materials / HPL
	<p>$\leq 1,5$ Nm</p>	<p>$\leq 1,9$ Nm</p>
For lengthwise railing		

AvanTech YOU double walled drawer system

- ▶ Actro YOU drawer runner with Silent System
- ▶ For AvanTech YOU or wooden drawers

11 A Actro YOU drawer runner with Silent System



- ▶ Full extension runner for combining with AvanTech YOU system drawer or wooden drawer with catches
- ▶ Integrated Silent System
- ▶ Optionally upgradable with Push to open Silent
- ▶ Load capacity XS / L / XL (10 / 40 / 70 kg)
- ▶ Load capacity to EN 15338, Level 3
- ▶ Galvanised steel

Load class XS (10 kg)

Nominal length	Order no.	PU	Order no. / mounting side		PU
	sets		left	right	
270	9 256 968	1 set	9 256 959	9 256 960	10 ea.
300	9 256 969	1 set	9 256 961	9 256 962	10 ea.
350	9 256 971	1 set	9 256 965	9 256 966	10 ea.

Load class L (40 kg)

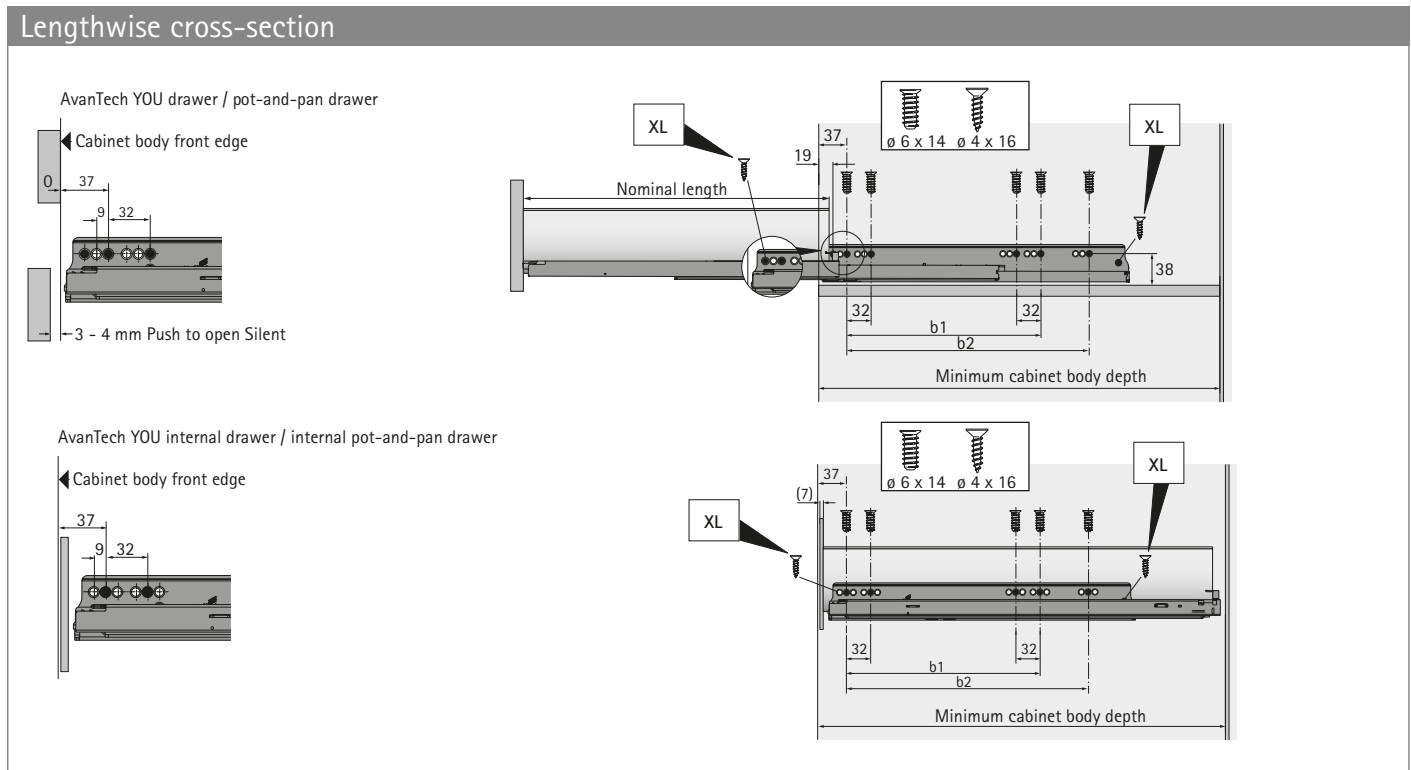
Nominal length	Order no.	PU	Order no. / mounting side		PU
	sets		left	right	
270	9 256 999	1 set	9 256 974	9 256 975	10 ea.
300	9 257 000	1 set	9 256 976	9 256 977	10 ea.
350	9 257 002	1 set	9 256 980	9 256 981	10 ea.
400	9 257 004	1 set	9 256 984	9 256 985	10 ea.
450	9 257 006	1 set	9 256 988	9 256 989	10 ea.
500	9 257 008	1 set	9 256 992	9 256 993	10 ea.
550	9 257 010	1 set	9 256 996	9 256 997	10 ea.
600	9 268 681	1 set	9 268 679	9 268 680	10 ea.

Load class XL (70 kg)

Nominal length	Order no.	PU	Order no. / mounting side		PU
	sets		left	right	
450	9 257 034	1 set	9 257 013	9 257 014	10 ea.
500	9 257 036	1 set	9 257 017	9 257 018	10 ea.
550	9 257 038	1 set	9 257 021	9 257 022	10 ea.
600	9 257 040	1 set	9 257 025	9 257 026	10 ea.
650	9 257 041	1 set	9 257 027	9 257 028	5 ea.

AvanTech YOU double walled drawer system

- ▶ Actro YOU drawer runner with Silent System
- ▶ For AvanTech YOU or wooden drawers

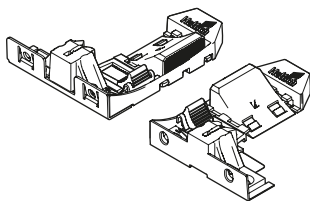


Installation dimensions with Silent System / Push to open Silent

Nominal length mm	Hole spacing b1 mm	Hole spacing b2 mm*	Drawer / pot-and-pan drawer Minimum cabinet body depth mm	Internal drawer / internal pot-and-pan drawer Minimum cabinet body depth mm	
				without Push to open Silent	with Push to open Silent
270	160		273	282	291
300	160		303	312	321
350	224		353	362	371
400	224		403	412	421
450	256	288	453	462	471
500	256	320	503	512	521
550	256	320	553	562	571
600	256	320	603	612	621
650	256	416	653	662	671

* Hole spacing b2 for Actro XL only

Actro YOU catch



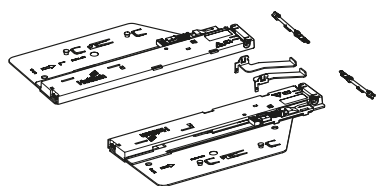
- ▶ For using Actro YOU with wooden drawers
- ▶ Height adjustment up to + 3 mm
- ▶ Zinc die-cast / plastic

Cabinet side	Order no.	PU
left / right	9 257 265	1 pair
left	9 257 263	100 ea.
right	9 257 264	100 ea.

AvanTech YOU double walled drawer system

► Push to open Silent opening system for Actro YOU

Push to open Silent opening system for Actro YOU



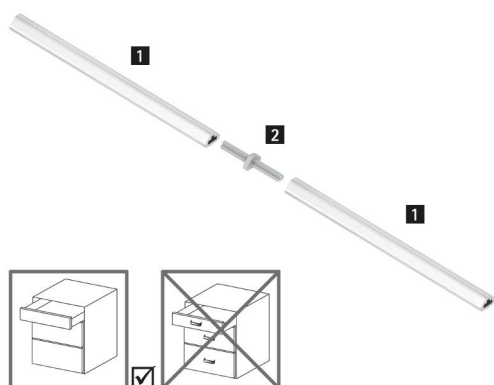
- Can be used with AvanTech YOU system drawer on Actro YOU drawer runner with Silent System
- Optional synchronisation possible

Set comprises:

- 1 Push to open Silent unit, left and right
- 1 activator, left and right
- 2 adapters for synchronisation

Total weight kg	Load class Actro	Nominal length mm	Order no.	PU
< 10	XS (10 kg)	270 - 350	9 257 890	1 set
8 - 20	L (40 kg)	270 - 650	9 257 891	1 set
10 - 40	L (40 kg)	270 - 650	9 257 892	1 set
20 - 70	XL (70 kg)	400 - 650	9 257 893	1 set

Optional synchronisation for Push to open Silent



- Recommended for cabinet body widths 600 mm and over

Synchronisation bar:

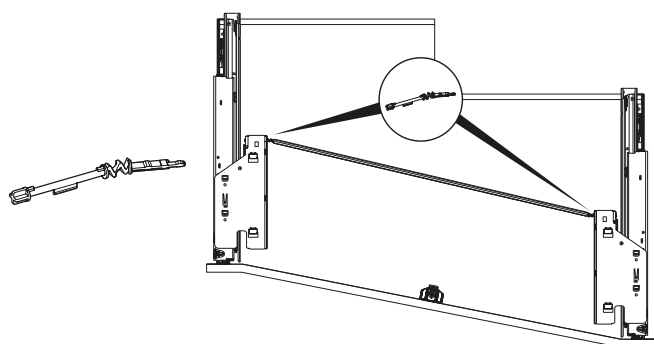
- For cutting to length
- Length 1038 mm
- Aluminium anodised

Connector:

- For connecting 2 synchronisation bars
- Plastic, grey

Article	Order no.	PU
1 Synchronisation bar	9 236 181	1/100 ea.
2 Connectors	9 221 295	1/20 ea.

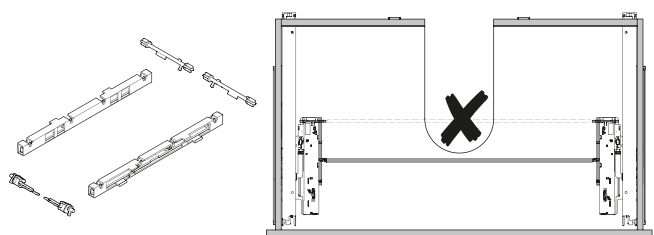
Optional flexible adapter for synchronisation / multisynchronisation



- For use in conjunction with lowered drawer runners (angled fronts)
- Replaces the adapter for synchronisation in the Push to open Silent set

Order no.	PU
9 262 213	1/20 ea.

Optional synchronisation deflector for Push to open Silent



- For moving the synchronisation bar by 50, 90 or 140 mm

Set comprises:

- 2 housings
- 2 adapters for Push to open unit
- 2 adapters for synchronisation bar

Order no.	PU
9 278 453	1 set

AvanTech YOU double walled drawer system

► Push to open Silent opening system for Actro YOU

Recommendation for drawer (front panel height up to approx. 150 mm)*

Nominal length mm	Nominal width mm											
	275	300	350	400	500	600	700	800	900	1000	1100	1200
270												
300												
350												
400												
450												
500												
550												
650												

Recommendation for pot-and-pan drawer (front panel height up to approx. 300 mm, medium duty loading)*

Nominal length mm	Nominal width mm											
	275	300	350	400	500	600	700	800	900	1000	1100	1200
270												
300												
350												
400												
450												
500												
550												
650												

Recommendation for pot-and-pan drawer (front panel height up to approx. 300 mm, carrying heavy load, e.g. with stacks of plates)*

Nominal length mm	Nominal width mm											
	275	300	350	400	500	600	700	800	900	1000	1100	1200
270												
300												
350												
400												
450												
500												
550												
650												

Order no. Push to open Silent:

9 257 890

9 257 891

9 257 892

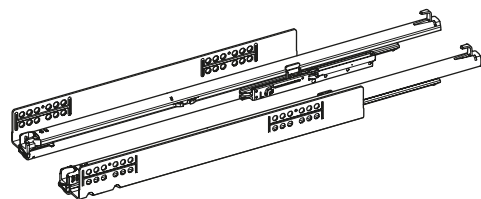
9 257 893

* Recommendations for standard applications (front panel 19 mm chipboard, normal household loading), please refer to our online configurator to get more exact recommendations for customer chosen front panel dimensions and materials.

AvanTech YOU double walled drawer system

- ▶ Quadro YOU drawer runner with Silent System
- ▶ For AvanTech YOU or wooden drawers

11 B Quadro YOU drawer runner with Silent System



- ▶ Full extension runner for combining with AvanTech YOU system drawer or wooden drawer with catches
- ▶ Integrated Silent System
- ▶ Optionally upgradable with Push to open Silent
- ▶ Load capacity XS / M (10/30 kg)
- ▶ Load capacity to EN 15338, Level 3
- ▶ Galvanised steel

Load class XS (10 kg)

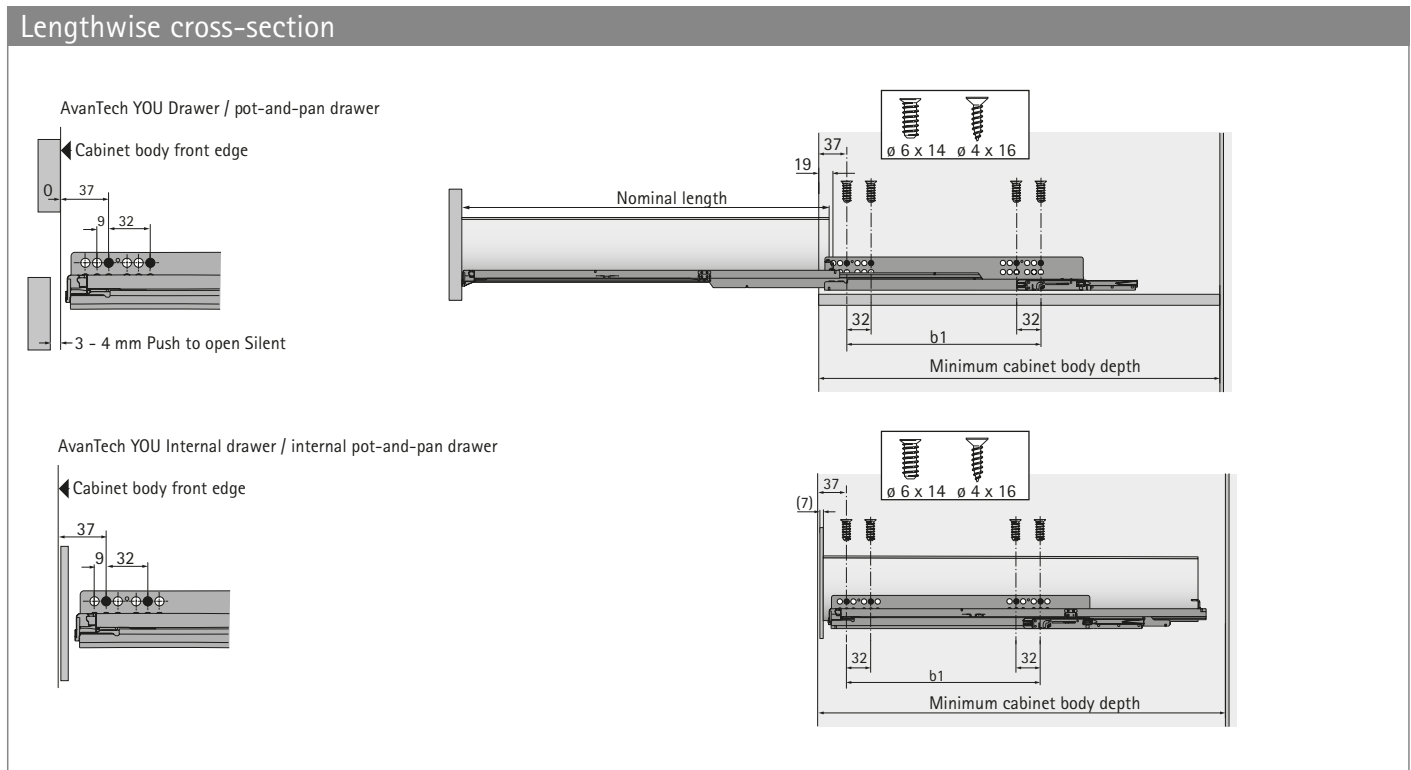
Nominal length	Order no.	PU	Order no. / mounting side		PU
	sets		left	right	
270	9 256 953	1 set	9 256 944	9 256 945	20 ea.
300	9 256 954	1 set	9 256 946	9 256 947	20 ea.
350	9 256 956	1 set	9 256 950	9 256 951	20 ea.

Load class M (30 kg)

Nominal length	Order no.	PU	Order no. / mounting side		PU
	sets		left	right	
270	9 256 883	1 set	9 256 854	9 256 855	20 ea.
300	9 256 884	1 set	9 256 856	9 256 857	20 ea.
350	9 256 886	1 set	9 256 860	9 256 861	20 ea.
400	9 256 888	1 set	9 256 864	9 256 865	20 ea.
450	9 256 890	1 set	9 256 868	9 256 869	20 ea.
500	9 256 892	1 set	9 256 872	9 256 873	20 ea.
550	9 256 894	1 set	9 256 876	9 256 877	20 ea.
600	9 256 896	1 set	9 256 880	9 256 881	20 ea.

AvanTech YOU double walled drawer system

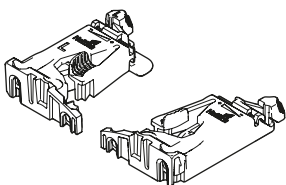
- ▶ Quadro YOU drawer runner with Silent System
- ▶ For AvanTech YOU or wooden drawers



Installation dimensions with Silent System / Push to open Silent

Nominal length mm	Hole spacing b1 mm	Drawer / pot-and-pan drawer Minimum cabinet body depth mm	Internal drawer / internal pot-and-pan drawer Minimum cabinet body depth mm	
			without Push to open Silent	with Push to open Silent
270	160	273	282	291
300	160	303	312	321
350	224	353	362	371
400	224	403	412	421
450	256	453	462	471
500	256	503	512	521
550	256	553	562	571
600	256	603	612	621

Quadro YOU catch



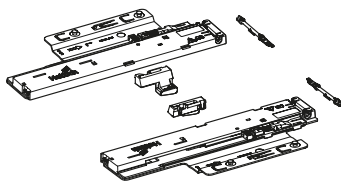
- ▶ For using Quadro YOU with wooden drawers
- ▶ Height adjustment up to + 3 mm
- ▶ Plastic

Cabinet side	Order no.	PU
left / right	9 257 262	1 pair
left	9 257 260	100 ea.
right	9 257 261	100 ea.

AvanTech YOU double walled drawer system

► Push to open Silent opening system for Quadro YOU

Push to open Silent opening system for Quadro YOU



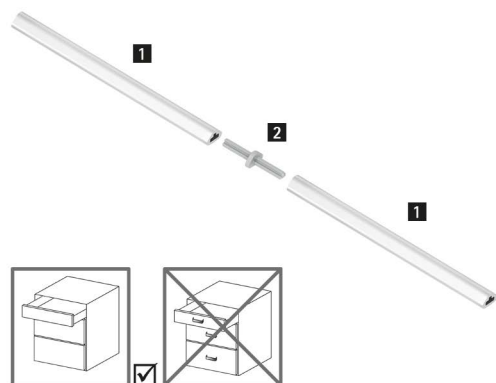
- Can be used with AvanTech YOU system drawer on Quadro YOU drawer runner with Silent System
- Optional synchronisation possible

Set comprises:

- 1 Push to open Silent unit, left and right
- 1 activator, left and right
- 2 adapters for synchronisation

Total weight kg	Load class Quadro	Nominal length mm	Order no.	PU
< 10	XS (10 kg)	270 - 350	9 257 894	1 set
8 - 20	M (30 kg)	270 - 600	9 257 895	1 set
10 - 30	M (30 kg)	350 - 600	9 257 896	1 set

Optional synchronisation for Push to open Silent



- Recommended for cabinet body widths 600 mm and over

Synchronisation bar:

- For cutting to length
- Length 1038 mm
- Aluminium anodised

Connector:

- For connecting 2 synchronisation bars
- Plastic, grey

Article	Order no.	PU
1 Synchronisation bar	9 236 181	1/100 ea.
2 Connectors	9 221 295	1/20 ea.

AvanTech YOU double walled drawer system

► Push to open Silent opening system for Quadro YOU

Recommendation for drawer (front panel height up to approx. 150 mm, light duty loading)*

Nominal length mm	Nominal width mm												
	275	300	350	400	450	500	550	600	700	800	900	1000	1200
270													
300													
350													
400													
450													
500													
550													
600													

Recommendation for pot-and-pan drawer (front panel height up to approx. 300 mm, medium duty loading)*

Nominal length mm	Nominal width mm												
	275	300	350	400	450	500	550	600	700	800	900	1000	1200
270													
300													
350													
400													
450													
500													
550													
600													

Recommendation for pot-and-pan drawer, heavy duty (front panel height up to approx. 300 mm, heavy duty loading, e.g. with stacks of plates)*

Nominal length mm	Nominal width mm												
	275	300	350	400	450	500	550	600	700	800	900	1000	1200
270													
300													
350													
400													
450													
500													
550													
600													

Order no. Push to open Silent:

9 257 894

9 257 895

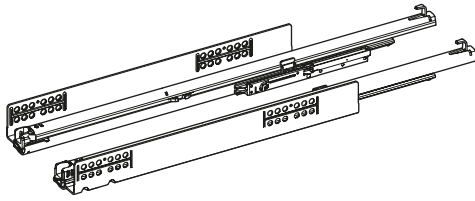
9 257 896

* Recommendations for standard applications (front panel 19 mm chipboard, normal household loading), please refer to our online configurator to get more exact recommendations for customer chosen front panel dimensions and materials.

AvanTech YOU double walled drawer system

- ▶ Quadro YOU drawer runner with Push to open
- ▶ For AvanTech YOU or wooden drawers

11 B Quadro YOU drawer runner with Push to open



- ▶ Full extension runner for combining with AvanTech YOU system drawer or wooden drawer with catches
- ▶ Integrated Push to open opening mechanism
- ▶ Optionally upgradable with synchronisation
- ▶ Load capacity M (30 kg)
- ▶ Load capacity to EN 15338, Level 3
- ▶ Galvanised steel

Load class M (30 kg)

Nominal length	Order no.	PU	Order no. / mounting side		PU
	sets		left	right	
270	9 256 928	1 set	9 256 899	9 256 900	20 ea.
300	9 256 929	1 set	9 256 901	9 256 902	20 ea.
350	9 256 931	1 set	9 256 905	9 256 906	20 ea.
400	9 256 933	1 set	9 256 909	9 256 910	20 ea.
450	9 256 935	1 set	9 256 913	9 256 914	20 ea.
500	9 256 937	1 set	9 256 917	9 256 918	20 ea.
550	9 256 939	1 set	9 256 921	9 256 922	20 ea.
600	9 256 941	1 set	9 256 925	9 256 926	20 ea.

Synchronisation for Quadro Push to open



- ▶ Use recommended on cabinet bodies in a width of 600 mm and over
- ▶ For nominal lengths of 250 - 600 mm
- ▶ Synchronisation bar for cutting to length, up to max. cabinet body width of 1038 mm, can be extended with connector

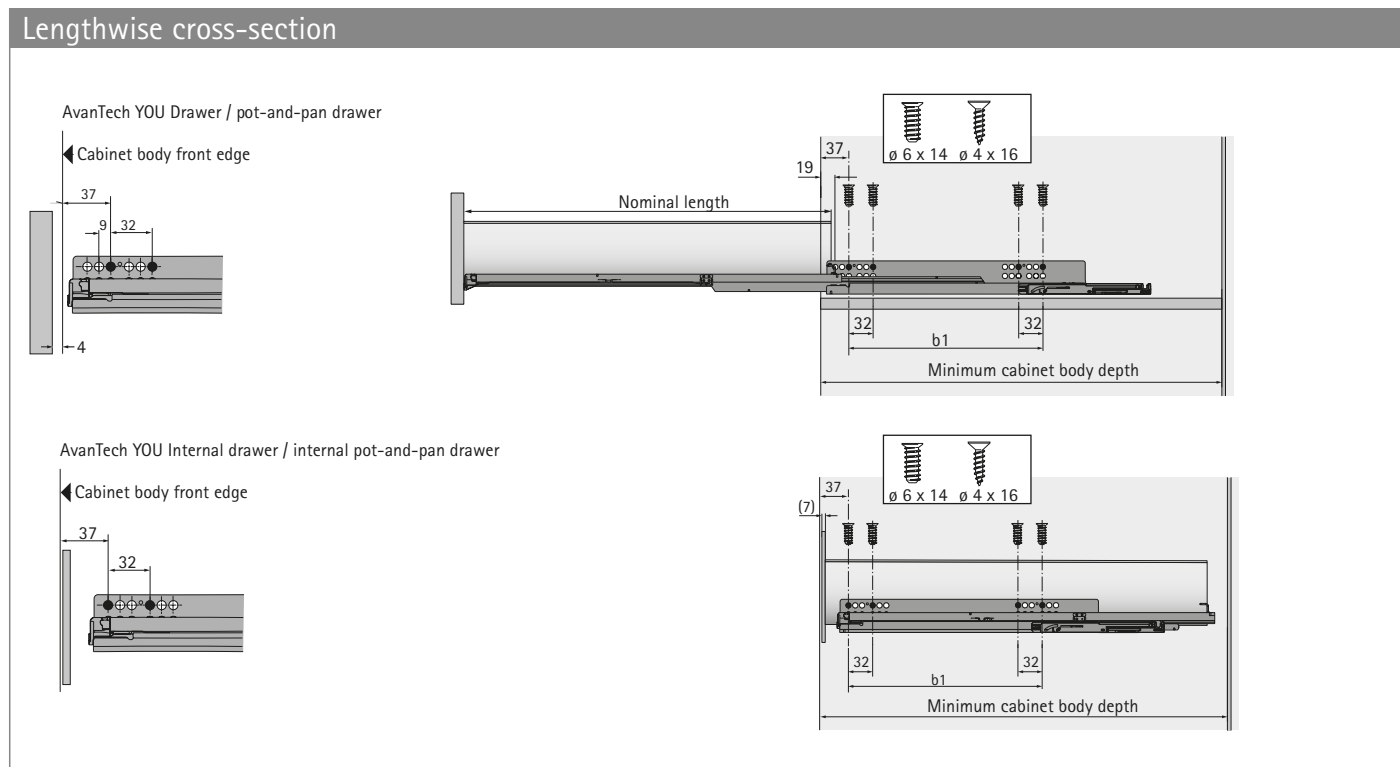
The following items are required for use:

- ▶ 1 synchronisation bar
- ▶ 2 adapters
- ▶ Waste can be minimised using the connector

Article	Order no.	PU
1 Synchronisation bar	9 236 181	1/100 ea.
2 Adapters, type A	9 219 966	1/200 ea.
3 Connectors	9 221 295	1/20 ea.

AvanTech YOU double walled drawer system

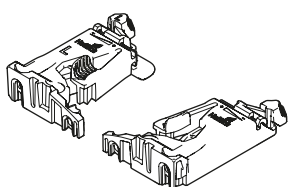
- ▶ Quadro YOU drawer runner with Push to open
- ▶ For AvanTech YOU or wooden drawers



Installation dimensions with Push to open

Nominal length mm	Hole spacing b1 mm	Drawer / pot-and-pan drawer Minimum cabinet body depth mm	Internal drawer / internal pot-and-pan drawer Minimum cabinet body depth mm
270	160	273	291
300	160	303	321
350	224	353	371
400	224	403	421
450	256	453	471
500	256	503	521
550	256	553	571
600	256	603	621

Quadro YOU catch



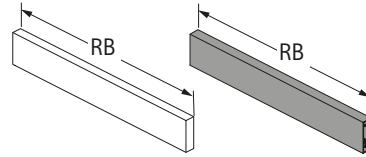
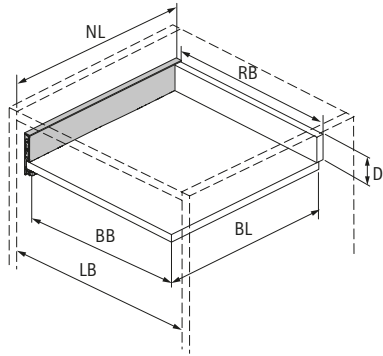
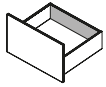
- ▶ For using Quadro YOU with wooden drawers
- ▶ Height adjustment up to + 3 mm
- ▶ Plastic

Cabinet side	Order no.	PU
left / right	9 257 262	1 pair
left	9 257 260	100 ea.
right	9 257 261	100 ea.

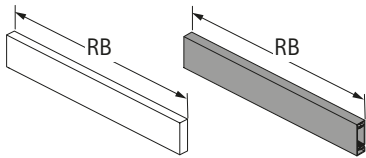
AvanTech YOU double walled drawer system

► Planning / installation dimensions

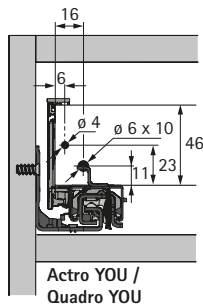
Wooden / aluminium rear panel **without** connectors for rear panel



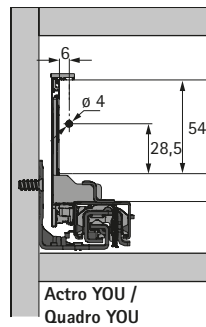
BL	NL - 21*	* H 77: NL - 26
BB	LB - 24	
RB	LB - 24	
D H 77	46	
D H 101	54	
D H 139	92	
D H 187	140,5	
D H 251	204,5	



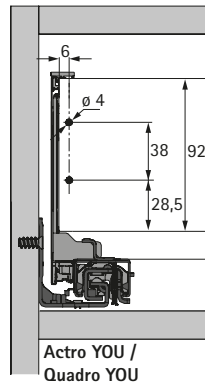
H 77



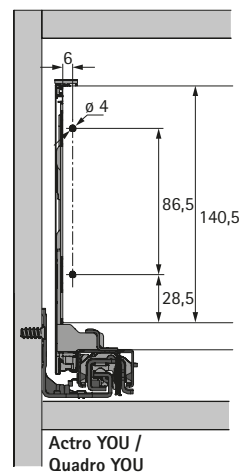
H 101



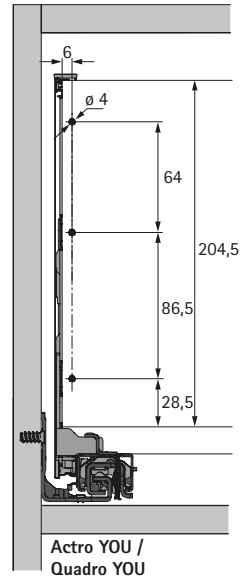
H 139



H 187



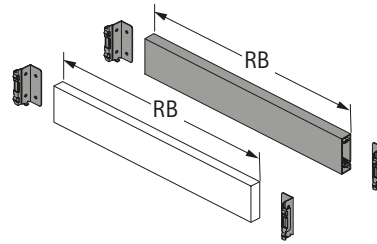
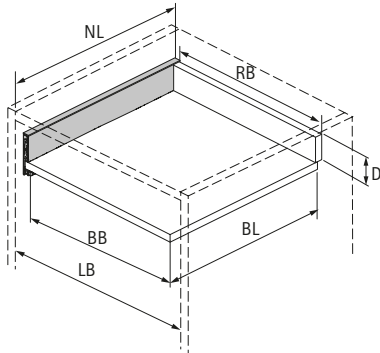
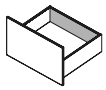
H 251



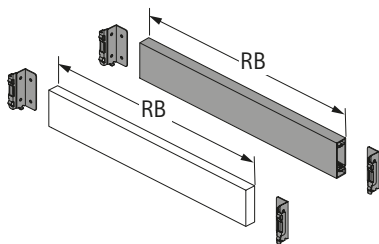
AvanTech YOU double walled drawer system

► Planning / installation dimensions

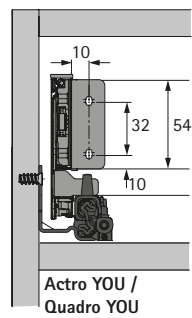
Wooden / aluminium rear panel with connectors for rear panel



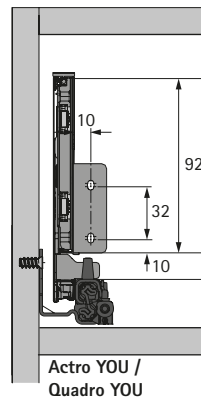
BL	NL - 21
BB	LB - 24
RB	LB - 24
D H 101	54
D H 139	92
D H 187	140,5
D H 251	204,5



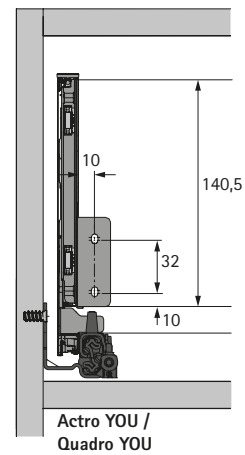
H 101



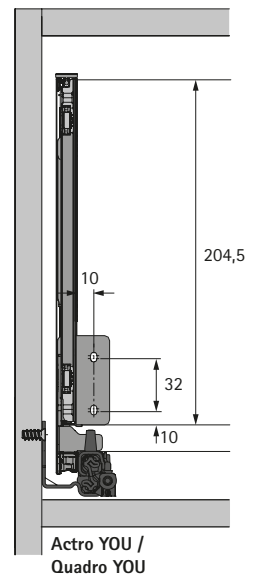
H 139



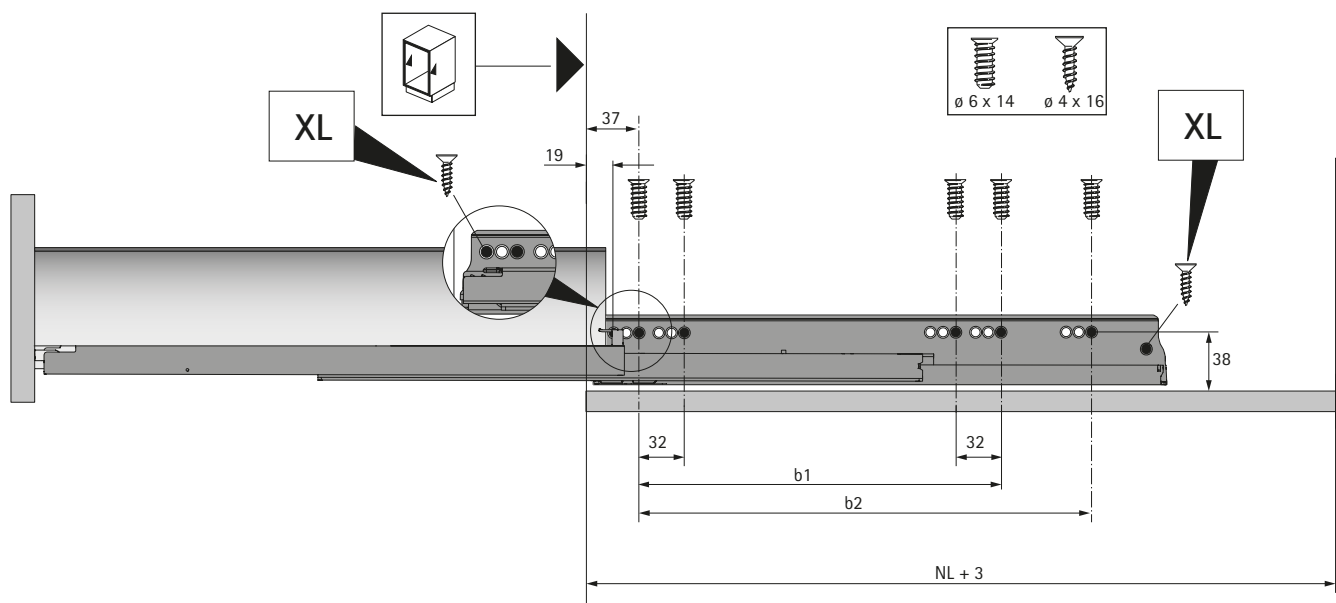
H 187



H 251



Planning / installation dimensions



NL mm	Actro YOU Quadro YOU b1 mm	Actro YOU XL b2 mm	Quadro YOU		Actro YOU		
			S	M	S	L	XL
270	160						
300	160						
350	224						
400	224						
450	256	288					
500	256	320					
550	256	320					
600	256	320					
650	256	416					

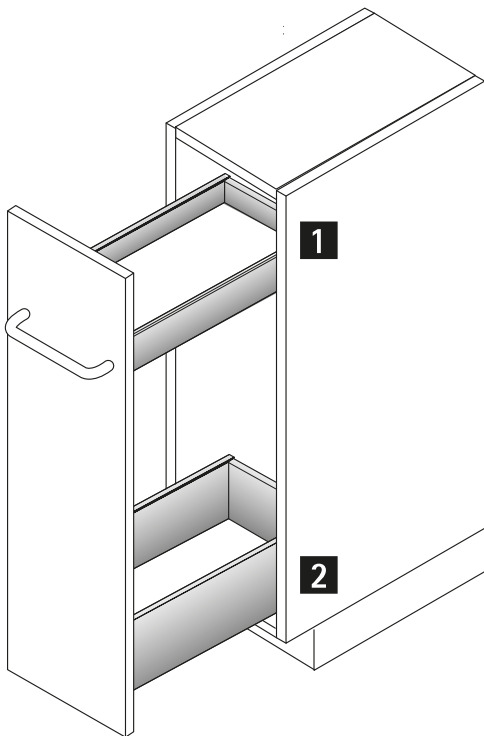
AvanTech YOU double walled drawer system

▶ Example application with narrow base unit



- ▶ Cabinet body height 750 mm max.
- ▶ Cabinet body width 300 mm max.
- ▶ Actro YOU drawer runner is required on the left and right, mounted diagonally
- ▶ Total load capacity 20 kg max.
- ▶ Other configurations are also possible

Example application



No.	Application	see pages
1	AvanTech YOU drawer	8 - 19
	Actro YOU with Silent System	46 - 49
	Quadro YOU with Silent System	50 - 55
2	AvanTech YOU pot-and-pan drawer	20 - 31
	Actro YOU with Silent System	46 - 49
	Quadro YOU with Silent System	50 - 55

AvanTech YOU double walled drawer system

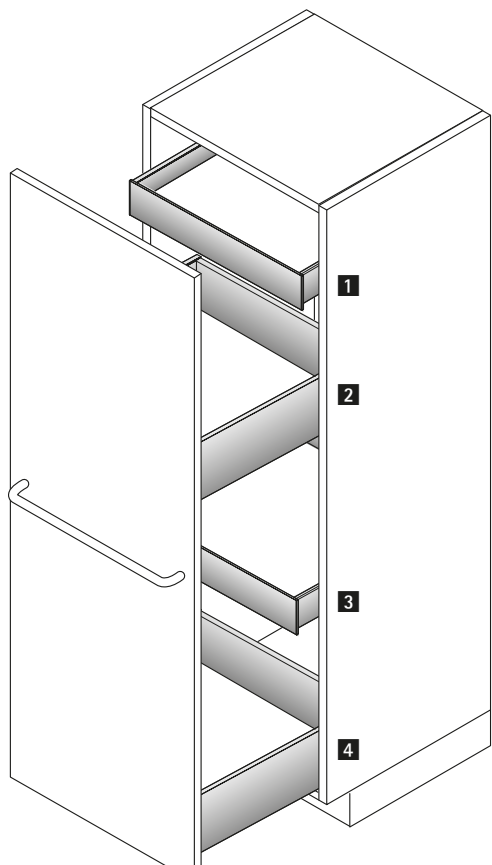
▶ Example application with tall unit



For individual cabinet body heights and widths

- ▶ Optimum use of storage space
- ▶ Recommended cabinet body widths 300 - 600 mm
- ▶ Other configurations are also possible

Example application



No.	Application	see pages
1	AvanTech YOU internal drawer	8 - 19 / 36 - 37
	Actro YOU with Silent System	46 - 49
	Quadro YOU with Silent System	50 - 55
2	AvanTech YOU pot-and-pan drawer	20 - 31
	Actro YOU with Silent System	46 - 49
	Quadro YOU with Silent System	50 - 55
3	AvanTech YOU internal drawer	8 - 19 / 36 - 37
	Actro YOU with Silent System	46 - 49
	Quadro YOU with Silent System	50 - 55
4	AvanTech YOU pot-and-pan drawer	20 - 31
	Actro YOU with Silent System	46 - 49
	Quadro YOU with Silent System	50 - 55

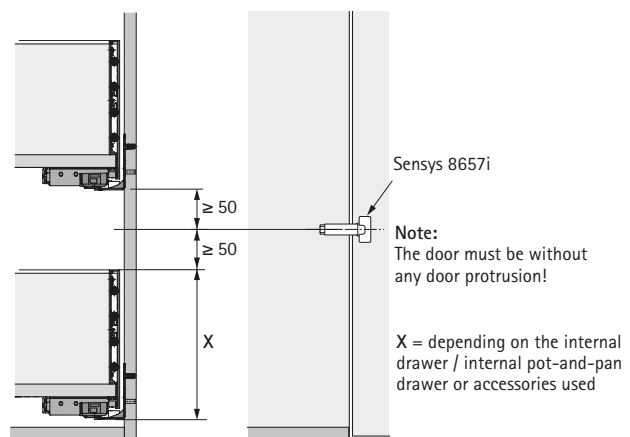
AvanTech YOU double walled drawer system

▶ Example application with larder unit

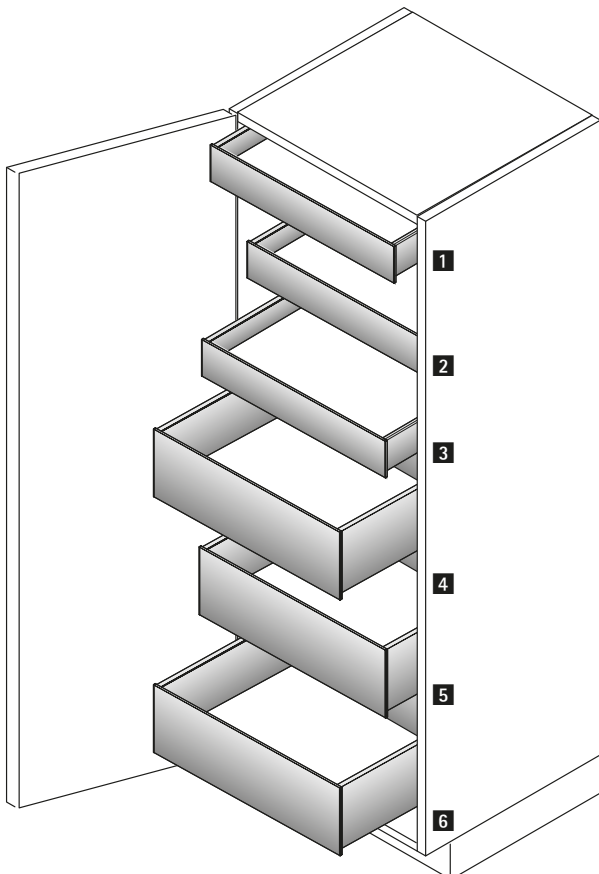


For individual cabinet body heights and widths

- ▶ Optimum use of storage space
- ▶ Recommended cabinet body widths: 450 - 1200 mm, with 2 hinged doors for cabinet bodies wider than 600 mm
- ▶ Recommended hinge: Sensys 8657i fast assembly concealed hinge
- ▶ Other configurations are also possible



Example application



No.	Application	see pages
1	AvanTech YOU internal drawer	8 - 19 / 36 - 37
	Actro YOU with Silent System	46 - 49
	Quadro YOU with Silent System	50 - 55
2	AvanTech YOU internal drawer	8 - 19 / 36 - 37
	Actro YOU with Silent System	46 - 49
	Quadro YOU with Silent System	50 - 55
3	AvanTech YOU internal drawer	8 - 19 / 36 - 37
	Actro YOU with Silent System	46 - 49
	Quadro YOU with Silent System	50 - 55
4	AvanTech YOU internal pot-and-pan drawer	20 - 31 / 36 - 38
	Actro YOU with Silent System	46 - 49
	Quadro YOU with Silent System	50 - 55
5	AvanTech YOU internal pot-and-pan drawer	20 - 31 / 36 - 38
	Actro YOU with Silent System	46 - 49
	Quadro YOU with Silent System	50 - 55
6	AvanTech YOU internal pot-and-pan drawer	20 - 31 / 36 - 38
	Actro YOU with Silent System	46 - 49
	Quadro YOU with Silent System	50 - 55

Drawer runners for wooden drawers

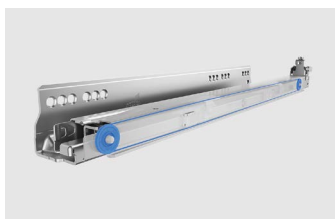
▶ Actro 5D drawer runners



Precision that gets things moving

The Actro 5D drawer runner is simply the perfect choice for unique furniture design, narrow reveals and large front panels. Adjusting in 5 directions, front panel reveal

alignment meets the most exacting demands. Excellent running performance and incredible stability provide supreme quality you can feel and hear.



Make a great impact with smooth running action:
Actro 5D, smooth running and synchronised



Fascinate with minimal reveals:
5-way adjustment for extremely narrow reveals



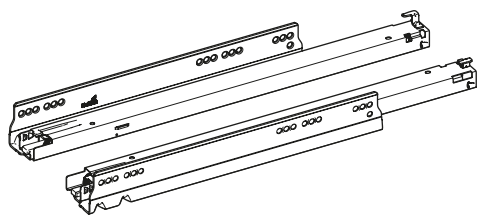
Impress with stability:
up to 70 kg load capacity



Effortlessly handleless:
Push to open Silent combines elegance with convenience

Drawer runners for wooden drawers

▶ Actro 5D full extension runner with Silent System, optionally with Push to open Silent



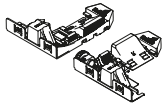
- ▶ **Silent System** - the integrated Silent System closes the drawer quietly and gently
- ▶ Catch for convenient slide on installation must be ordered separately
- ▶ Tool-less, intuitive vertical adjustment up to + 3 mm, lateral adjustment up to +/- 1.5 mm, radial adjustment up to +/- 1.5 mm and tilt adjustment + 4 mm
- ▶ Optional: depth adjustment up to +/- 2 mm
- ▶ Optional: Push to open Silent opening system
- ▶ Load capacity to EN 15338, Level 3
- ▶ Galvanised steel, suitable for rooms exposed to moisture

Nominal length / drawer length NL mm	Order no.	PU	Order no. / mounting side		PU
	sets		left	right	
Load class XS (10 kg)					
250	9 257 054	1 set	9 257 044	9 257 045	10 ea.
270	9 257 055	1 set	9 257 046	9 257 047	10 ea.
300	9 257 056	1 set	9 257 048	9 257 049	10 ea.
320	9 257 057	1 set	9 257 050	9 257 051	10 ea.
350	9 257 058	1 set	9 257 052	9 257 053	10 ea.
Load class L (40 kg)					
250	9 257 085	1 set	9 257 059	9 257 060	10 ea.
270	9 257 086	1 set	9 257 061	9 257 062	10 ea.
300	9 257 087	1 set	9 257 063	9 257 064	10 ea.
320	9 257 088	1 set	9 257 065	9 257 066	10 ea.
350	9 257 089	1 set	9 257 067	9 257 068	10 ea.
380	9 257 090	1 set	9 257 069	9 257 070	10 ea.
400	9 257 091	1 set	9 257 071	9 257 072	10 ea.
420	9 257 092	1 set	9 257 073	9 257 074	10 ea.
450	9 257 093	1 set	9 257 075	9 257 076	10 ea.
480	9 257 094	1 set	9 257 077	9 257 078	10 ea.
500	9 257 095	1 set	9 257 079	9 257 080	10 ea.
520	9 257 096	1 set	9 257 081	9 257 082	10 ea.
550	9 257 097	1 set	9 257 083	9 257 084	10 ea.
600	9 268 684	1 set	9 268 682	9 268 683	10 ea.
Load class XL (70 kg)					
450	9 257 121	1 set	9 257 100	9 257 101	10 ea.
500	9 257 123	1 set	9 257 104	9 257 105	10 ea.
520	9 257 124	1 set	9 257 106	9 257 107	10 ea.
550	9 257 125	1 set	9 257 108	9 257 109	10 ea.
580	9 257 126	1 set	9 257 110	9 257 111	10 ea.
600	9 257 127	1 set	9 257 112	9 257 113	10 ea.
650	9 257 128	1 set	9 257 114	9 257 115	5 ea.
700	9 257 129	1 set	9 257 116	9 257 117	5 ea.
750	9 257 130	1 set	9 257 118	9 257 119	5 ea.

Drawer runners for wooden drawers

▶ Actro 5D full extension runner with Silent System, optionally with Push to open Silent

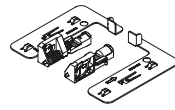
Actro 5D catch



- ▶ Tool-less, intuitive side adjustment up to +/- 1.5 mm
- ▶ Height adjustment up to + 3 mm
- ▶ Die-cast zinc / plastic

Cabinet side	Order no.	PU
left / right	9 257 268	1 pair
left	9 257 266	100 ea.
right	9 257 264	100 ea.

Depth adjustment

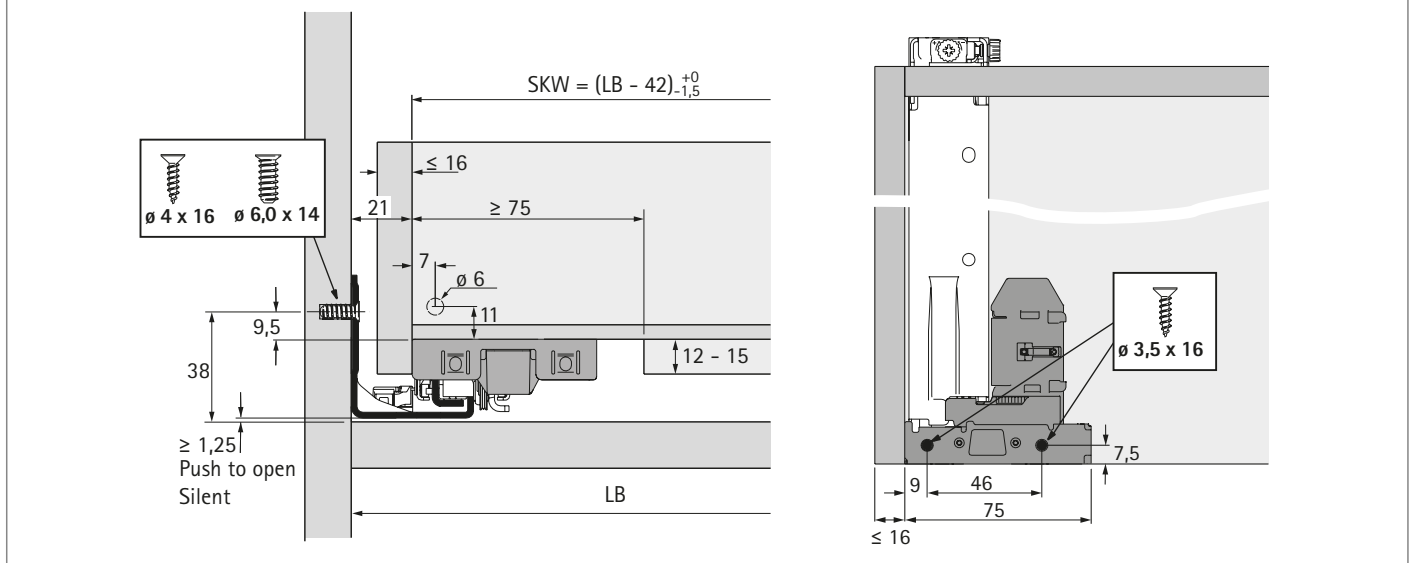


- ▶ Tool-less installation and adjustment up to + 4 mm
- ▶ For optional use with inset front panels
- ▶ Plastic, grey

Set comprises:
 ▶ 2 depth adjusters
 ▶ 2 activators

Cabinet side	Order no.	PU
left / right	9 257 706	1 set

Front cross section



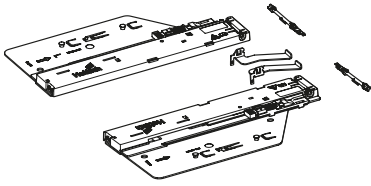
Side cross section

NL	b1	b2 (XL 70 kg)	XS 10 kg	L 40 kg	XL 70 kg
250	160				
270	160				
300	160				
320	224				
350	224				
380	224				
400	224				
420	224				
450	256	288			
480	256	288			
500	256	320			
520	256	320			
550	256	320			
580	256	320			
600	256	320			
650	256	416			
700	256	416			
750	256	416			

Drawer runners for wooden drawers

▶ Push to open Silent opening system for Actro 5D

Push to open Silent opening system for Actro 5D



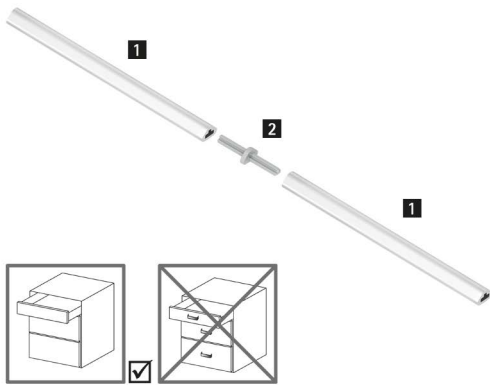
- ▶ Can be used with AvanTech YOU system drawer on Actro YOU drawer runner with Silent System
- ▶ Optional synchronisation possible

Set comprises:

- ▶ 1 Push to open Silent unit, left and right
- ▶ 1 activator, left and right
- ▶ 2 adapters for synchronisation

Total weight kg	Load class Actro kg	Nominal length mm	Order no.	PU
< 10	XS (10 kg)	270 - 350	9 257 890	1 set
8 - 20	L (40 kg)	270 - 650	9 257 891	1 set
10 - 40	L (40 kg)	270 - 650	9 257 892	1 set
20 - 70	XL (70 kg)	400 - 650	9 257 893	1 set

Optional synchronisation for Push to open Silent



- ▶ Recommended for cabinet body widths 600 mm and over

Synchronisation bar:

- ▶ For cutting to length
- ▶ Length 1038 mm
- ▶ Aluminium anodised

Connector:

- ▶ For connecting 2 synchronisation bars
- ▶ Plastic, grey

Article	Order no.	PU
1 Synchronisation bar	9 236 181	1/100 ea.
2 Connectors	9 221 295	1/20 ea.

Drawer runners for wooden drawers

► Push to open Silent opening system for Actro 5D

Recommendation for drawer (front panel height up to approx. 150 mm)*

Nominal length mm	Nominal width mm												
	275	300	350	400	450	500	550	600	700	800	900	1000	1200
250 - 300													
320 - 350													
380 - 550													
580 - 750													

Recommendation for pot-and-pan drawer (front panel height up to approx. 300 mm, medium duty loading)*

Nominal length mm	Nominal width mm												
	275	300	350	400	450	500	550	600	700	800	900	1000	1200
250 - 300													
320 - 350													
380													
400 - 550													
580 - 750													

Recommendation for pot-and-pan drawer (front panel height up to approx. 300 mm, carrying heavy load, e.g. with stacks of plates)*

Nominal length mm	Nominal width mm												
	275	300	350	400	450	500	550	600	700	800	900	1000	1200
250 - 300													
320 - 350													
380													
400 - 550													
580 - 750													

Order no. Push to open Silent:

9 257 890

9 257 891

9 257 892

9 257 893

* Recommendations for standard applications (front panel 19 mm chipboard, normal household loading), please refer to our online configurator to get more exact recommendations for customer chosen front panel dimensions and materials.

► Screws

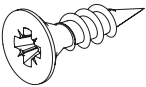
Direct fixing screws



- Countersunk head
- Pozidrive screw
- Steel

Dimensions mm	Finish	Order no.	PU
ø 6 x 14	nickel plated	9 137 114	200 ea.

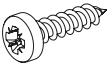
Chipboard screws / countersunk head



- Countersunk head
- Pozidrive screw
- Steel

Dimensions mm	Finish	Order no.	PU
ø 3,5 x 12	nickel plated	9 079 791	200 ea.
ø 3,5 x 16	nickel plated	0 071 925	200 ea.
ø 4 x 16	nickel plated	0 010 085	200 ea.

Chipboard screws / panhead



- Panhead
- Pozidrive screw
- Steel

Dimensions mm	Finish	Order no.	PU
ø 3,5 x 6,5	galvanised	9 278 225	200 ea.
ø 3,5 x 12	galvanised	0 045 167	200 ea.
ø 3,5 x 20	galvanised	0 045 168	200 ea.
ø 3,5 x 30	galvanised	9 278 224	200 ea.

Drawer systems

► Quality criteria

Quality that meets all the demands

The quality of the drawer systems is monitored continuously. Hettich fittings comply with the national and international quality standards of the markets our customers operate in. The diagrams below show some of the tests Hettich fittings are required to pass.

Application area

Hettich drawer systems are suitable for use in living room, kitchen, bathroom and office furniture both in the home and business environment.

Load capacity and guards preventing unintentional detachment / removal

The load capacity indicated (to DIN EN 15338) is understood to mean the weight of the drawer itself, including contents, in kg. The applicable level is shown on the product. The load capacity refers to a reference length of 500 mm. The load capacity may vary for other

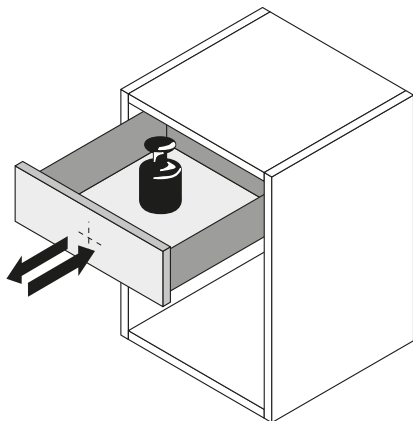
nominal lengths. All Hettich drawer systems feature guards to prevent the drawer from rolling out and being removed unintentionally and meet the requirements of the impact test in a test frame to EN 15338. Fitted in the proper manner, the drawer systems are suitable for furniture defined in EN 14749. The maximum front panel height depends in particular on the material, drawer size and drawer runner. Testing is conducted on drawers with a 130 mm front panel height and pot-and-pan drawers with a 300 mm front panel height. We will be pleased to provide any further information you may require.

Corrosion test

Hettich runner systems satisfy the requirements on corrosion defined in DIN EN 15338, 72 hour condensation water test to DIN EN 6270.

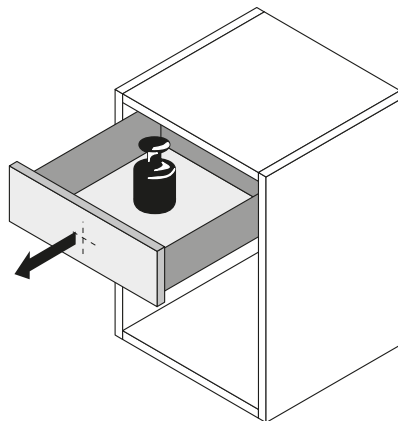
Wear test

The fully laden drawer must remain in proper working order after opening and closing it for a defined number of times at a defined test velocity.



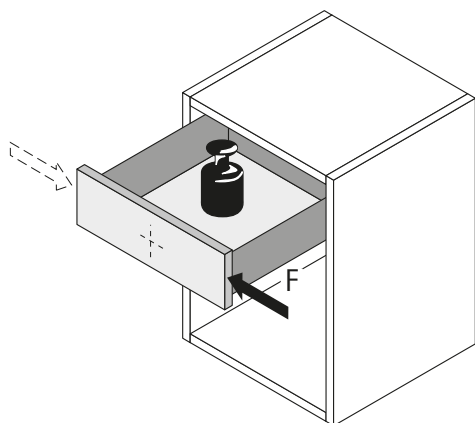
Retention-on-opening test

The fully laden drawer is abruptly opened all the way several times at a defined test velocity.



Horizontal load test

Opened all the way, the fully laden drawer is additionally exposed to horizontal strain from a defined lateral force.



Vertical strain test

Opened all the way, the drawer is additionally exposed to vertical strain from a defined eccentric force.

