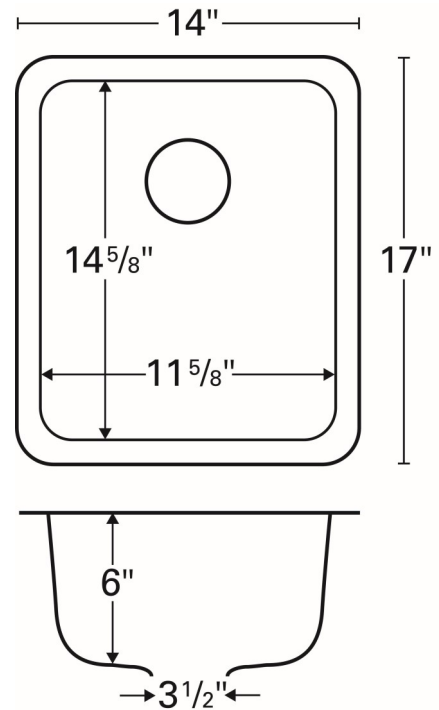


Karran Acrylic Series sinks are manufactured from an ultra dense, pure acrylic resin, reinforced on the underside with a durable FRP backing. This makes them tough and resilient to even the toughest daily tasks. Each Acrylic sink has a resin matrix rim that allows it to be seamlessly integrated into all laminate and solid surface countertop materials. Seamless integration is the most hygienic way to install a sink into a countertop in both residential and commercial applications.

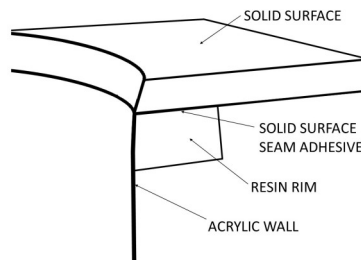
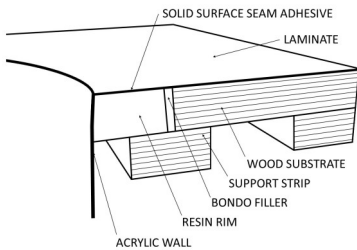
Series:	Acrylic Series
Material:	High density acrylic, FRP reinforced
Installation Type:	Seamless undermount
Configuration / Style:	Single bar/prep bowl
Finish:	Matte finish
Overall dimensions:	14" x 17"
Bowl dimensions:	11-5/8" x 14-5/8" x 6"
Drain size:	3-1/2"
Min. cabinet size:	18"
Template included:	No
Clips included:	No
Accessories included:	No
Colors available:	White and Bisque



INSTALLATION OPTIONS

IN LAMINATE

IN SOLID SURFACE



- Laminate Install Guide
- DXF File
- Care Guide
- Warranty

PROJECT INFORMATION

PROJECT: _____

CONTACT: _____

DATE: _____

NOTES: _____

APPROVAL:

RECOMMENDED TOOLING FOR INSTALLATION

- 10° Bevel bit [BITLAM] - Laminate installs
- Seam adhesive [BRISA, WHISA, BISSA]
- Adhesive gun [AG]
- Non-woven flap wheel [FLAP3X2FINE]

OPTIONAL ACCESSORIES

- White basket strainer [ABSWH]
- Bisque basket strainer [ABSBI]
- White disposal flange [ADFWH]
- Bisque disposal flange [ADFB]
- Stainless basket strainer [L-1]

We reserve the right to update product specifications without notice. Please visit karran.com for the most current specification sheets. All dimensions are accurate to 1/4". REV 05-2020