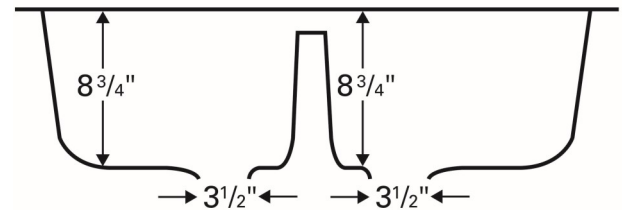
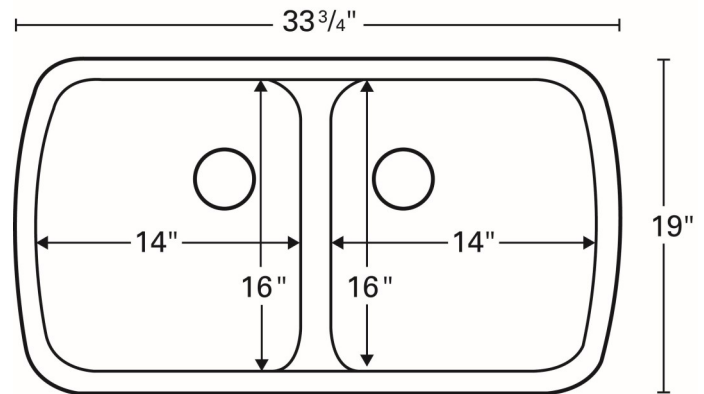


Karran Acrylic Series sinks are manufactured from an ultra dense, pure acrylic resin, reinforced on the underside with a durable FRP backing. This makes them tough and resilient to even the toughest daily tasks. Each Acrylic sink has a resin matrix rim that allows it to be seamlessly integrated into all laminate and solid surface countertop materials. Seamless integration is the most hygienic way to install a sink into a countertop in both residential and commercial applications.



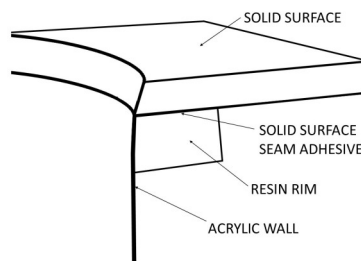
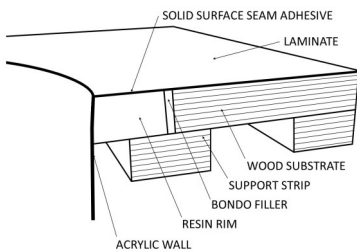
| | |
|-------------------------------|--------------------------------------|
| Series: | Acrylic Series |
| Material: | High density acrylic, FRP reinforced |
| Installation Type: | Seamless undermount |
| Configuration / Style: | Double equal bowl |
| Finish: | Matte finish |
| Overall dimensions: | 33-3/4" x 19" |
| Left Bowl dimensions: | 14" x 16" x 8-3/4" |
| Right Bowl dimensions: | 14" x 16" x 8-3/4" |
| Drain size: | 3-1/2" |
| Min. cabinet size: | 36" |
| Template included: | No |
| Clips included: | No |
| Accessories included: | No |
| Colors available: | White and Bisque |



INSTALLATION OPTIONS

IN LAMINATE

IN SOLID SURFACE



- Laminate Install Guide
- DXF File
- Care Guide
- Warranty

PROJECT INFORMATION

PROJECT: _____

CONTACT: _____

DATE: _____

NOTES: _____

APPROVAL:

RECOMMENDED TOOLING FOR INSTALLATION

- 10° Bevel bit [BITLAM] - Laminate installs
- Seam adhesive [BRISA, WHISA, BISSA]
- Adhesive gun [AG]
- Non-woven flap wheel [FLAP3X2FINE]

OPTIONAL ACCESSORIES

- White basket strainer [ABSWH]
- Bisque basket strainer [ABSBI]
- White disposal flange [ADFHW]
- Bisque disposal flange [ADFB]
- Stainless basket strainer [L-1]

We reserve the right to update product specifications without notice. Please visit karran.com for the most current specification sheets. All dimensions are accurate to 1/4". REV 05-2020